

PARTS LIST



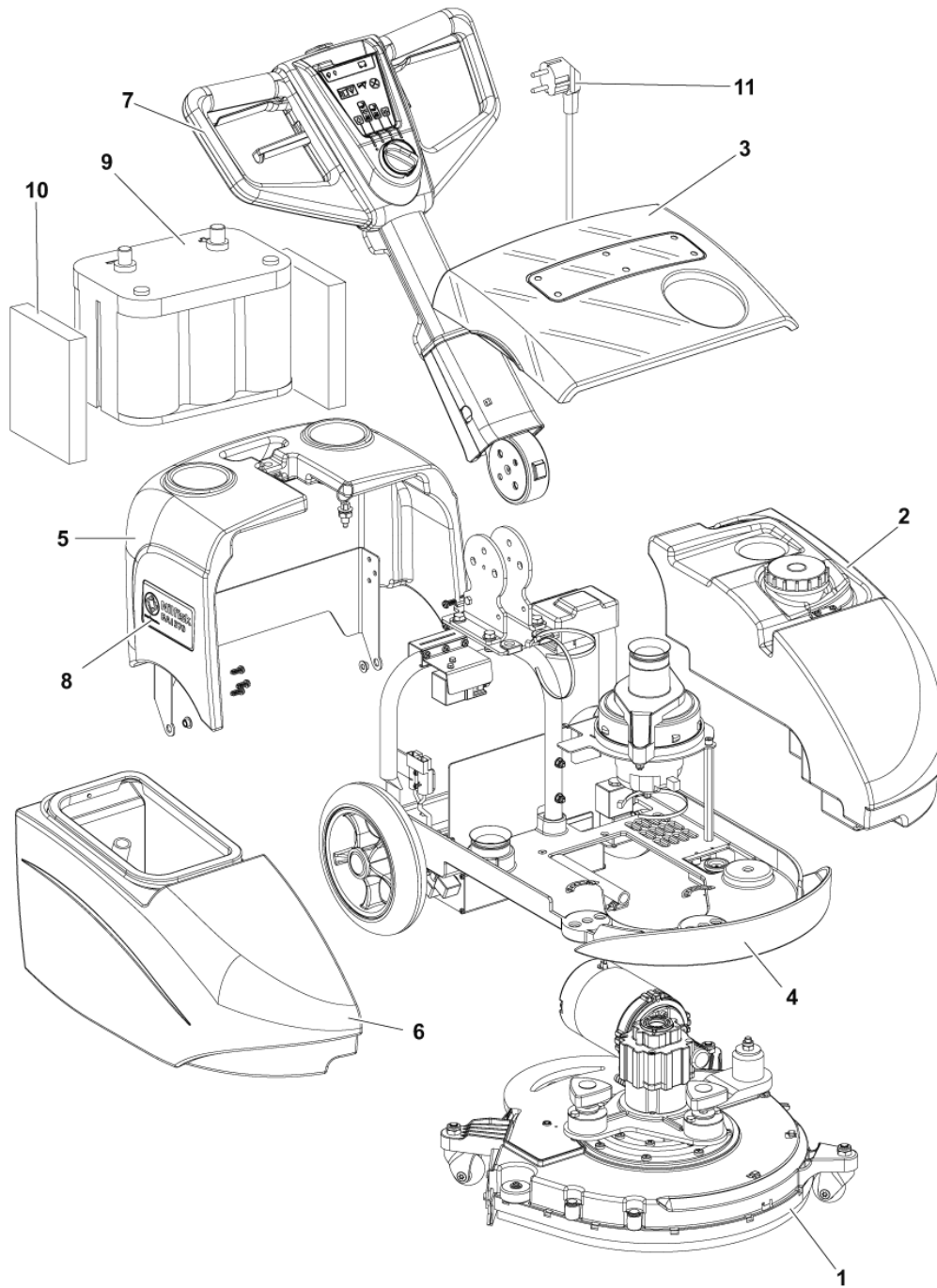
2023.11.28

NILFISK

Ersatzteile unter www.gluesing.net

TABLE OF CONTENTS

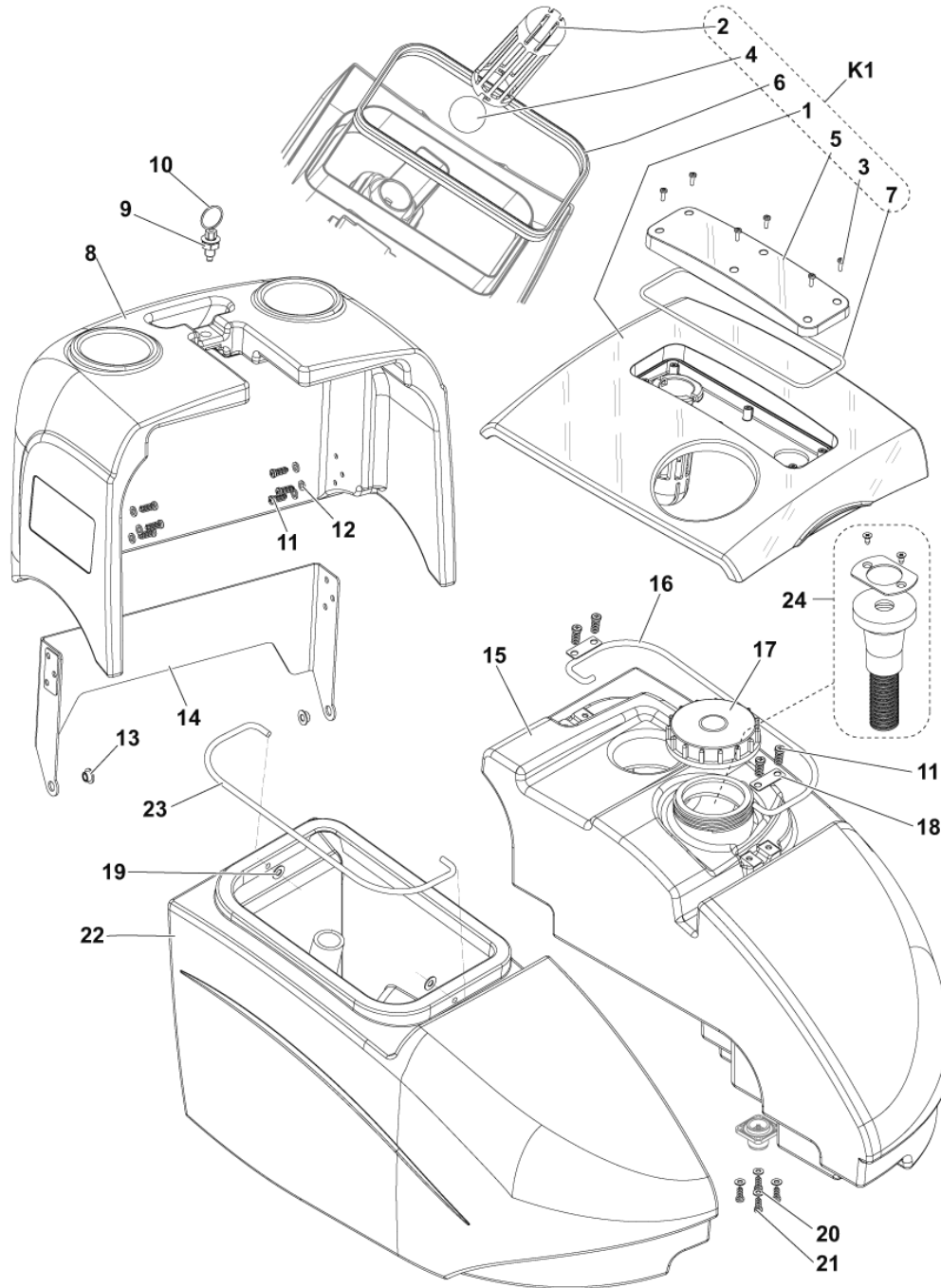
GENERAL VIEW.....	1
COVER AND TANKS.....	3
FRAME.....	5
HANDLE SUPPORT.....	7
HANDLE BAR.....	9
BRUSH DECK 1.....	11
BRUSH DECK 2.....	13
RECOMMENDED SPARE PARTS.....	15



Pos.	Artikel-Nr.	Menge	Variante	Notes
1		1	Deck	[1]
2		1	Solution tank	[2]
3		1	Cover tank	[3]
4		1	Frame	[4]
5		1	Battery cover	[5]
6		1	Recovery tank	[6]
7		1	Handle	[7]
8	9099000000	1	Aufkleber Kit BA 370	[8]
9	9100001664	1	BATTERY 12V 55AH AGM SPIRACEL	
9	1464853000	1	Gelbatterie 12V-87 Ah	[9]
10	9098934000	2	PANEL BATTERY FOAM 170X110X30MM	
11	1466318000	1	CABLE EXTENSION UK PLUG L.2000MM SIP	
11	9100000790	1	CABLE EXTENSION EU PLUG L.1000 PKD	

Part Notes:

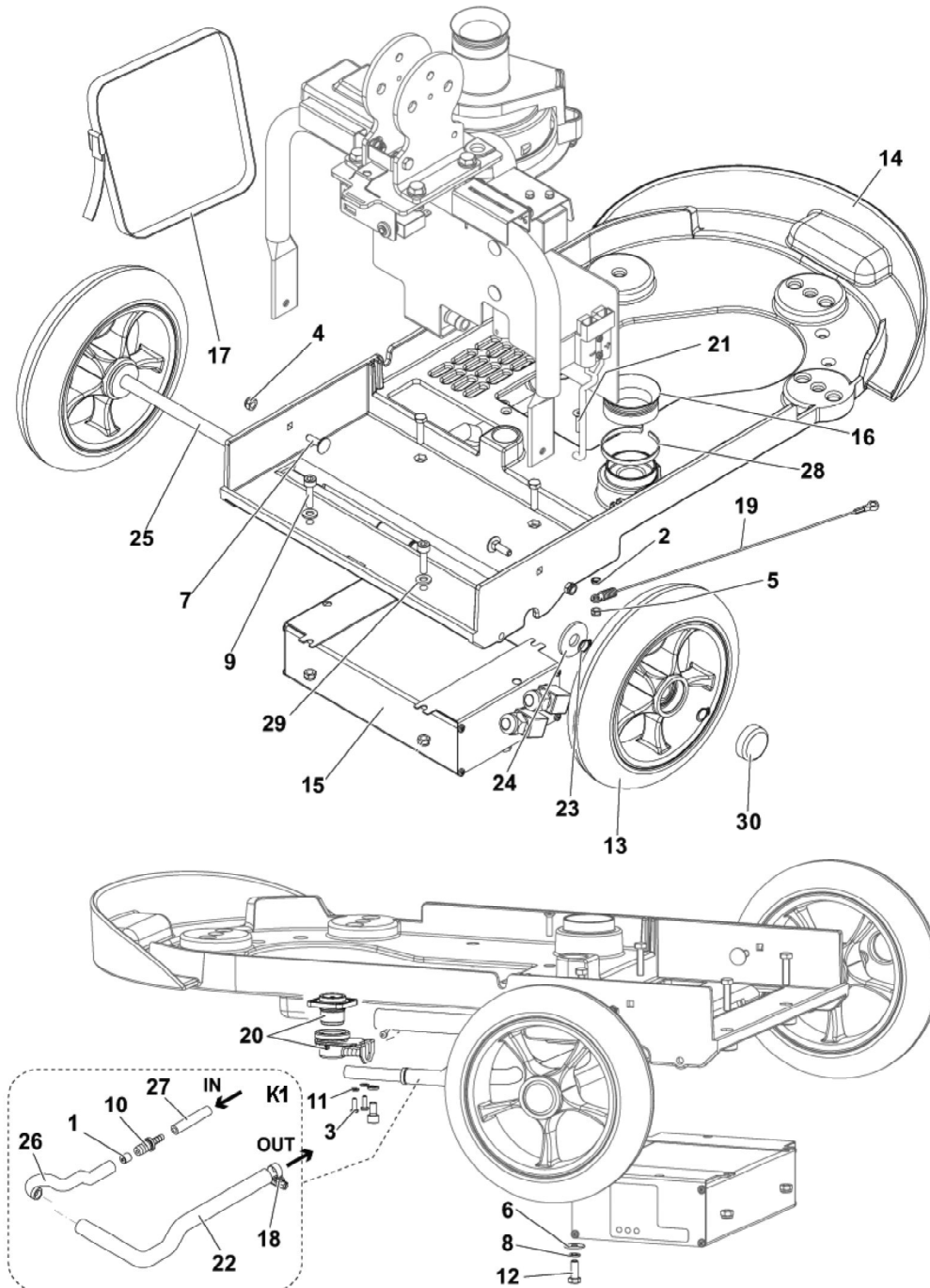
- [1] - DECK
- [2] - SOLUTION TANK
- [3] - COVER TANK
- [4] - FRAME
- [5] - BATTERY COVER
- [6] - RECOVERY TANK
- [7] - HANDLE
- [8] - GUARANTEE DATE EXPIRED
- [9] - OPTIONAL



Pos.	Artikel-Nr.	Menge	Variante	Notes
6	9099127000	1	GASKET RUBBER L.705MM PKD	
8	9098318000	1	Batterieabdeckung	
9	145 1147 000	1	U-Scheibe	
10	1466331000	1	PLUNGER M10 D.6 W/NUT PKD	
14	9098309000	1	SUPPORT BATTERY COVER METAL	
15	9098149000	1	TANK SOLUTION RAL 7001	
16	9100000104	1	HANDLE SOLUTION TANK	
17	9100001202	1	CAP THREADED 70X5 PKD	
18	9098621000	2	PLATE HANDLE TANK	
19	9098473000	2	COVER PIN	
22	9098148000	1	TANK RECOVERY RAL7001	
23	9100000103	1	HANDLE RECOVERY TANK	
24	9099011000	1	Befüllschlauch	[1]
K1	9100002110	1	Kit Gehäuse-Abdeckung	[2]
K2	9098990000	1	Deckelbefestigung	[3]

Part Notes:

- [1] - OPTIONAL - SEE TSB-FC-2016-020
- [2] - Pos 1-2-3-4-5-6-7
- [3] - NOT SHOWN - Pos 3-11-12-13-20-21



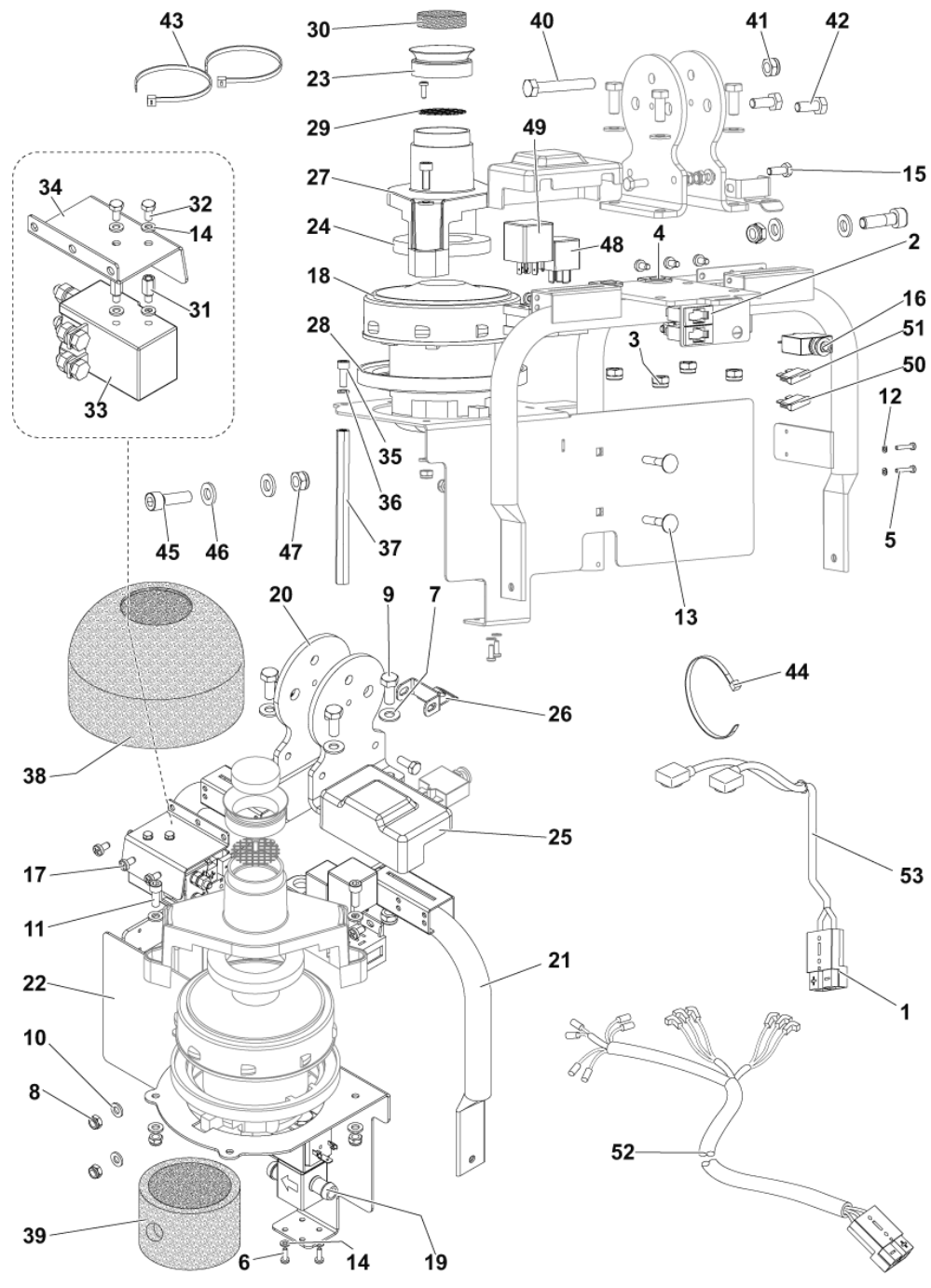
Resource notes:

position 0: 9099926000 valid for new chassis kit 9099927000 starting from 3510124805231

Pos.	Artikel-Nr.	Menge	Variante	Notes
0	9099926000	1	SUPPORT FOR GASKET KIT	[1]
13	9098237000	2	Rad D.200mm	[2]
14	9099927000	1	RAHMEN KOMPLETT	
15	9100000713	1	Einbauladegerät 12V-15A 230V	[3]
15	9100002104	1	CHARGER BATT. O/B 12V 12A 100-230V JP	[3]
15	9100000713	1	Einbauladegerät 12V-15A 230V	[4]
16	9100001958	1	Abdichtung	
17	1467834000	1	BELT BATTERY FIXING	
19	9099042000	1	Bowdwnzug	
20	9100000514	1	Kit Wasserventil	
25	9098310000	1	Anschlagrad	[1]
28	33003513	1	Klammer 290X4.8	
30	9098915000	2	PLUG WHEEL	[1]
K1	9098992000	1	Rohrleitungskit	[5]
K2	9098993000	1	HARDWARE FRAME KIT	[6]

Part Notes:

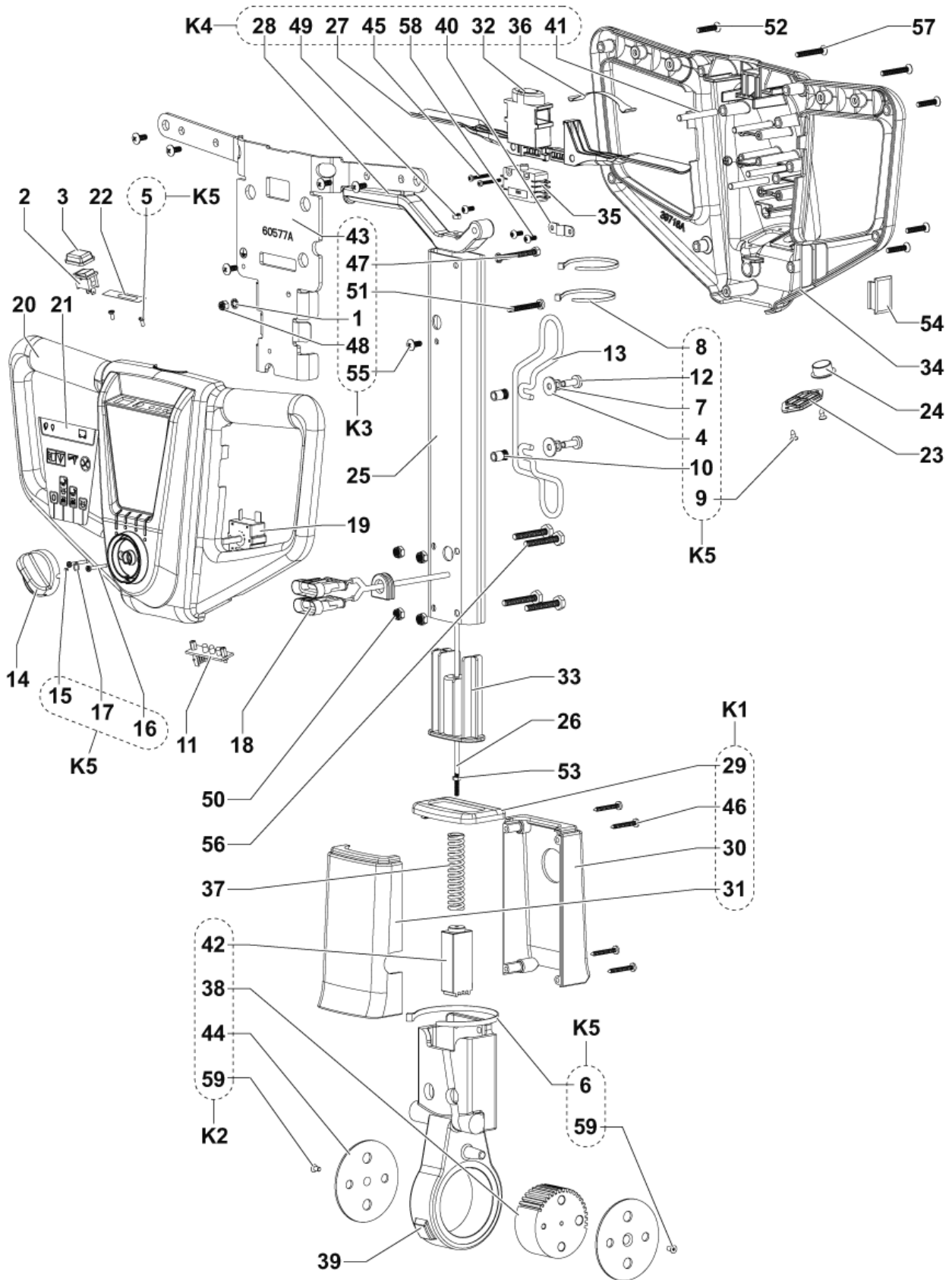
- [1] - NO LONGER AVAILABLE
- [2] - STOCK COVERS GUARANTEE
- [3] - TSBFC 2013-118 SC350 Sc 337 integr Ladegerät
- [4] - INST.INSTR. 9100000712
- [5] - Pos 1-10-18-22-26-27
- [6] - NOT SHOWN - Pos 2-3-4-5-6-7-8-9-11-12-21-23-24-28-29
STOCK COVERS GUARANTEE



Pos.	Artikel-Nr.	Menge	Variante	Notes
1	9098760000	2	CONNECTOR 50A GREY	
2	9098924000	2	FUSE HOLDER	
4	909 6542 000	2	Abdichtung Kabel	
16	909 5706 000	1	Hauptschalter 30 A	
18	9100001238	1	SAUGMOTOR 12V 200W PKD	
19	9098112000	1	Magnetventil 12V	
20	9098185000	2	BRACKET HANDLE	
21	9100001411	1	SUPPORT HANDLE SIP	
22	9100002355	1	SUPPORT VACUUM MOTOR SIP	
23	9100001958	1	Abdichtung	
24	9098327000	1	Abdichtung Saugmotor	
25	9098365000	1	COVER RELAY	
26	9098482000	1	BRACKET PLUNGER BLOCK	
27	9098483000	1	COVER VACUUM MOTOR	
28	9098554000	1	GASKET VACUUM MOTOR	
29	9098654000	1	PROTECTION	[1]
30	9100001278	1	Filter für Saugmotor	
33	146 0626 000	1	SWITCH ELECTROMAGNETIC 12V	
34	9098560000	1	PLATE SUPPORT ELECTR.SWITCH	[1]
37	9098559000	1	SPACER GALV. F SUPPORT VAC. MOTOR	
38	9098656000	1	Schuzthülle f. Motor	
39	9098925000	1	CASING LOWER VACUUM MOTOR	
48	9098441000	1	Relais 12V	
49	9098375000	1	Timer	
50	145 8513 000	1	FUSE BLADE 30A UL	
51	145 9852 000	1	FUSE BLADE 5A UL	
52	9098387000	1	Kabelbaum	[2]
53	9098849000	1	HARNESS BATTERY	
K1	9098994000	1	BefestigungsKit	[3]

Part Notes:

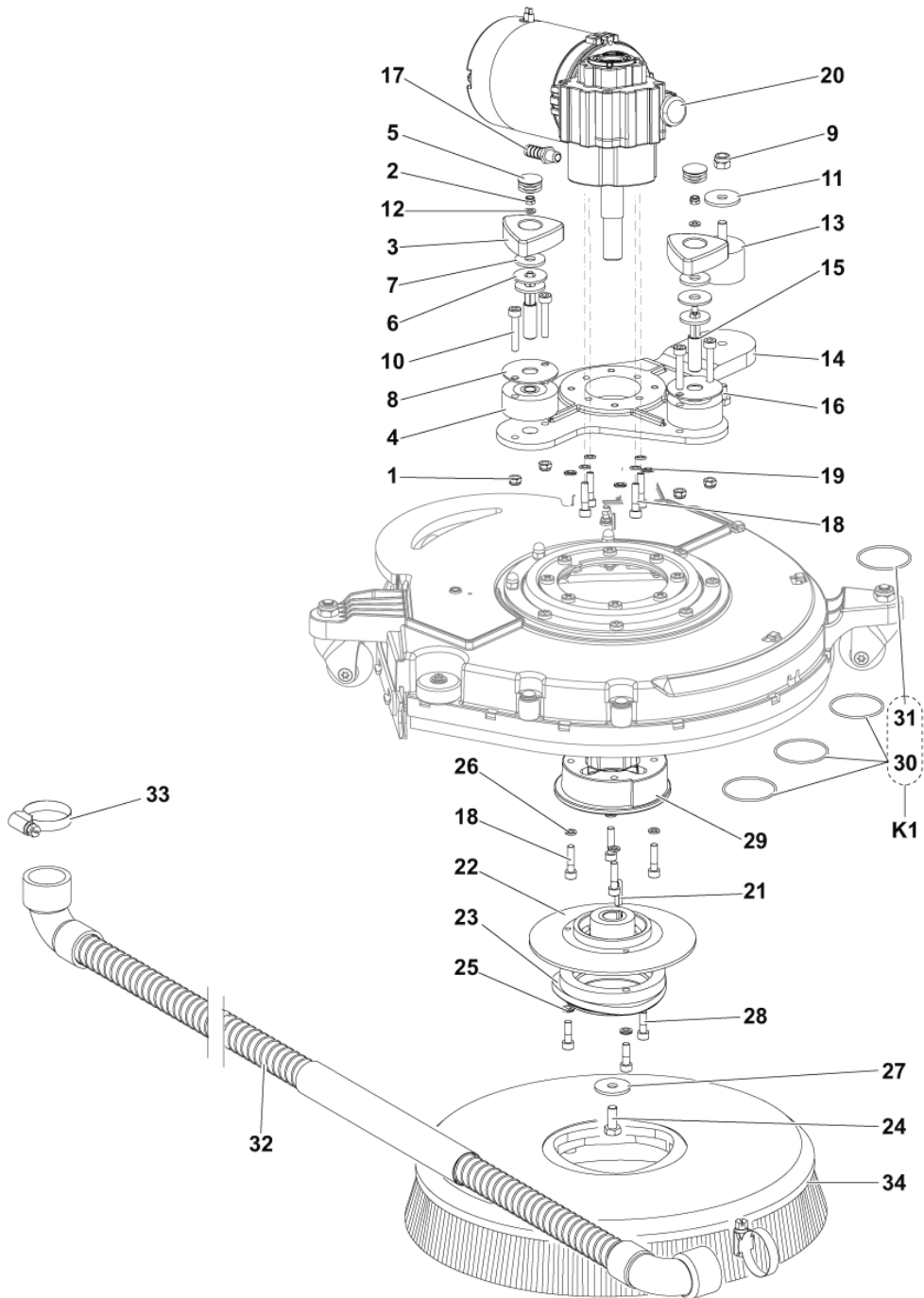
- [1] - NO LONGER AVAILABLE
- [2] - GUARANTEE DATE EXPIRED
- [3] - NOT SHOWN - Pos 3-5-6-7-8-9-10-11-12-13-14-15-17-31-32-35-36-40-41-42-43-44-45-46-47
STOCK COVERS GUARANTEE



Pos.	Artikel-Nr.	Menge	Variante	Notes
2	L08603153	1	Kippschalter	
3	L08603154	1	SCHUTZKAPPE	
11	146 3073 000	1	BOARD LED	
13	1466317000	1	SUPPORT CABLE KIT	
14	9097283000	1	KNOB CONTROL FUNCTIONS	
18	9098386000	1	Steuerkabel	[1]
19	9098405000	1	Drehschalter 4 Pos.	[1]
20	9100000101	1	COVERS HANDLE GREY KIT	
21	9098615000	1	Aufkleber	[1]
22	9098616000	1	Sticker Batterie LED	
23	9098812000	1	CAP FOR HANDLE	
24	9098813000	1	CAP D.18.5/D.24MM BLACK	
25	9098835000	1	TUBE OF HANDLE	
26	9098836000	1	ROD INDEX	
33	VF47033	1	RETAINER	
34	9100000101	1	COVERS HANDLE GREY KIT	
35	40263A	1	SWITCH DPST	
37	VF47007	1	SPRING LEVELING	
39	56382002	1	HANDLE MOUNT	[2]
50	VF14506	4	NUT LOCK SS M6	
52	80398A	2	SCREW M5X35 SS HEAD PHILLIPS	
53	VV13609	1	NUT M4	
54	VF54041	1	HANDLE PLUG	
56	GT13019	4	HEX SCREW M6x45	
57	80407A	6	SCREW M5X25 SS FLAT HEAD PHILLIPS	
K1	11271A	1	Abdeckungskit	[3]
K2	11272A	1	LOWER HOUSING KIT	[4]
K3	11273A	1	Befestigungskit für Griff	[5]
K4	11274A	1	HANDLE SWITCH LEVER KIT	[6]
K5	9098995000	1	HARDWARE HANDLE BAR KIT	[7]

Part Notes:

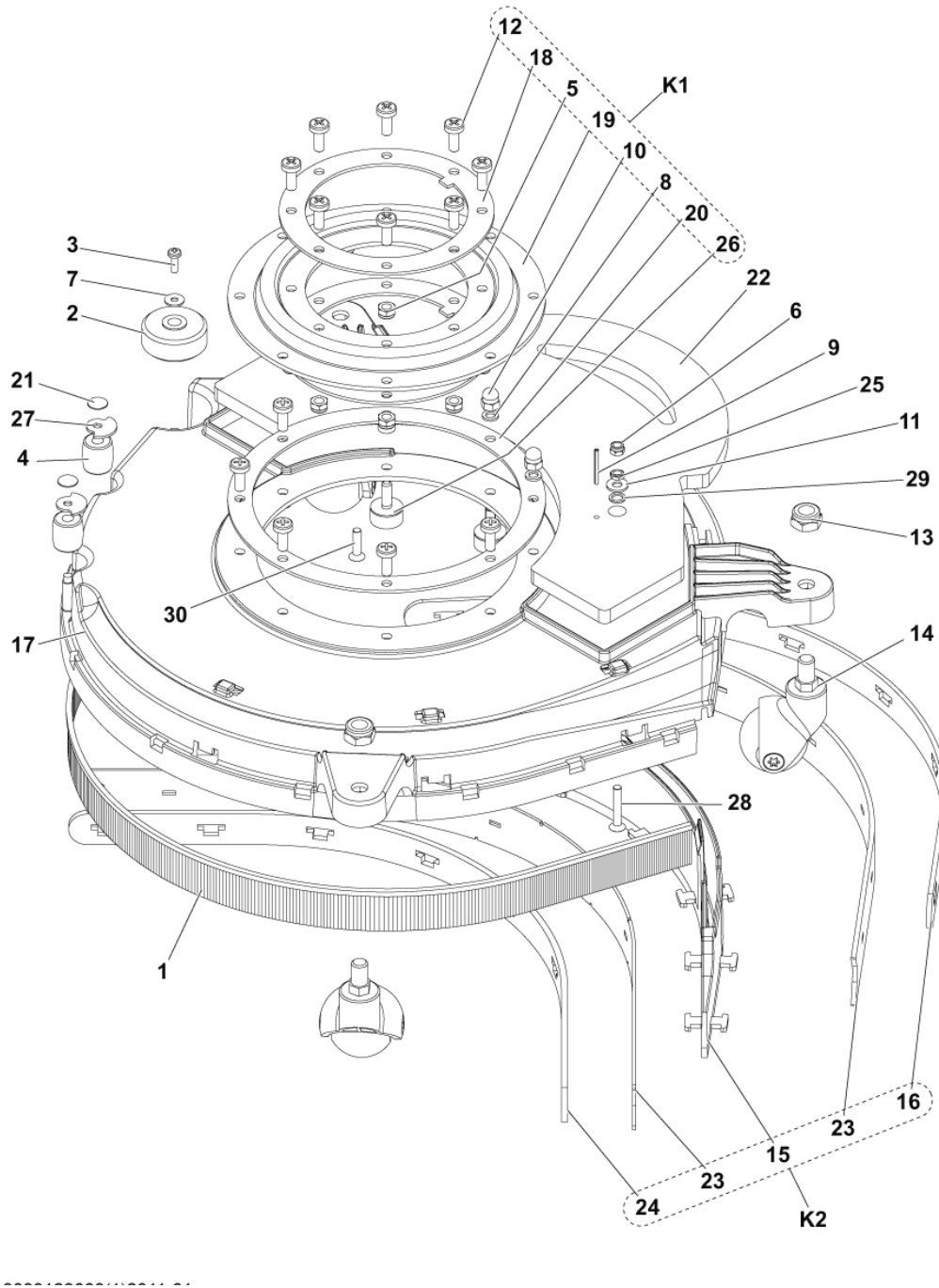
- [1] - NO LONGER AVAILABLE
- [2] - GUARANTEE DATE EXPIRED
- [3] - Pos 29-30-31-46
- [4] - Pos 38-42-44-59
- [5] - Pos 1-43-47-48-51-55
- [6] - Pos 27-28-32-36-40-41-45-49-58
- [7] - Pos 4-5-6-7-8-9-10-12-15-16-17-59



Pos.	Artikel-Nr.	Menge	Variante	Notes
1	9099741000	1	Abdeckungskit	[1]
2	L08812203	2	Rändelmutter zu BA 530	
4	L08812213	2	Distanzstück zu BA 530	
5	L08812426	2	Deckel klein zu BA 530	
8	L08812779	2	Stahlplattendeckel	
13	9100000868	1	Silent Bloc M8 60SH 2 PCS SET	
14	9098083000	1	SUPPORT BRUSH DECK	[2]
15	9098557000	2	PIN BRUSH PLATE FIXING	
17	L08601624	1	Schlauchnippel 1/4 x 10	
20	9099544000	1	Getriebemotor 12V 260W KIT	[3]
20	1464432000	1	Kohle Kit 4 Stück	
21	1466146000	1	KEY 5X5X25 UNI6604A PKD	
22	L08812306	1	Bürstenbüchse zu Getriebe	
23	L08812480	1	Polygonaufnahme	
29	9098394000	1	Flansch für Bürstendeck	[3]
32	9100001331	1	Schlauch Saugleiste PKD 90 schwarz	
34	9100000001	1	Bürste Prolite, 370 mm, 14,5"	[4]
34	9100000000	1	Bürste Union Mix, 370 mm, 14,5"	[4]
34	9100000003	1	Bürste Midlite 370mm 14,5" grau	[4]
34	9100000002	1	Bürste Mid Grit, 370 mm, 14,5"	[4]
34	9099999000	1	Bürste Prolene, 370 mm, 14,5"	
35	10001921	1	Eco Pad 14", Ø 355 mm, weiß, VPE 5	[5]
35	10001918	1	Eco Pad 14", Ø 355 mm, braun, VPE 5	[5]
35	9099672000	1	Padhalter Ø 355 mm, 14"	[5]
35	10001919	1	Eco Pad 14", Ø 355 mm, grün, VPE 5	[5]
35	10001920	1	Eco Pad 14", Ø 355 mm, rot, VPE 5	[5]
K1	9100001733	1	TIE CABLE 2.5x200 BLACK 10 PCS SET	[6]
K2	9098996000	1	Befestigungskit	[7]

Part Notes:

- [1] - GUARANTEE DATE EXPIRED
NOT SHOWN - starting from S/N 3510122601308
INST.INSTR.9099742000 - see TSB IT 2012-090
- [2] - NO LONGER AVAILABLE
- [3] - GUARANTEE DATE EXPIRED
- [4] - OPTIONAL
- [5] - NOT SHOWN - OPTIONAL
- [6] - Pos 30-31
- [7] - NOT SHOWN - Pos 1-2-6-7-9-10-11-12-16-18-19-24-25-26-27-28-33
STOCK COVERS GUARANTEE



Pos.	Artikel-Nr.	Menge	Variante	Notes
1	9098475000	1	Spritzschutz	
2	L08603027	1	Abweisrolle CA340	[1]
4	L08603402	2	Roller	
14	9099163000	3	Lenkrolle D42	
16	9098399000	1	Gummilippenhalter 455mm/18	
17	9098400000	1	Abdeckung-Bürstendeck	[2]
19	9098402000	1	COUPLING RUBBER DECK	[3]
21	9098473000	2	COVER PIN	
22	9098477000	1	COUNTERWEIGHT	[3]
23	9099027000	1	Sauglippen-Set	
24	9098568000	1	FRONT GUMMILIPPE 455MM/18	
26	9098620000	3	Schwingungsdämpfer	[3]
27	9098633000	2	PLATE BUMPER FIX	[3]
K1	9098997000	1	Verbind. Kit Schrubdeck	[4]
K2	9098998000	1	Saugleistenkit	[5]
K3	9098999000	1	BefestigungsKit	[6]

Part Notes:

- [1] - GUARANTEE DATE EXPIRED
- [2] - STOCK COVERS GUARANTEE
- [3] - NO LONGER AVAILABLE
- [4] - Pos 5-8-10-12-18-19-20-26
GUARANTEE DATE EXPIRED
- [5] - Pos 15-16-23-24
- [6] - NOT SHOWN- Pos 3-6-7-9-11-13-28-29-30-31
GUARANTEE DATE EXPIRED

**No
Diagram
Available**

**Parts List
Only**

RECOMMENDED SPARE PARTS

SC350

2023.11.23

2018.01.18

Pos.	Artikel-Nr.	Menge	Variante	Notes
	9098441000	1	Relais 12V	
	9099127000	1	GASKET RUBBER L.705MM PKD	
	9100001238	1	SAUGMOTOR 12V 200W PKD	
	9099163000	3	Lenkrolle D42	
	145 9852 000	1	FUSE BLADE 5A UL	
	9100001278	1	Filter für Saugmotor	
	9098112000	1	Magnetventil 12V	
	9100001958	2	Abdichtung	
	L08812480	1	Polygonaufnahme	
	9098998000	1	Saugleistenkit	
	9098760000	2	CONNECTOR 50A GREY	
	9098405000	1	Drehschalter 4 Pos.	[1]
	9100000713	1	Einbauladegerät 12V-15A 230V	
	9098375000	1	Timer	
	9099042000	1	Bowdwnzug	
	9098992000	1	Rohrleitungskit	
	9100000514	1	Kit Wasserventil	
	9099027000	1	Sauglippen-Set	
	9099544000	1	Getriebemotor 12V 260W KIT	[2]
	146 0626 000	1	SWITCH ELECTROMAGNETIC 12V	
	9098327000	1	Abdichtung Saugmotor	
	909 5706 000	1	Hauptschalter 30 A	
	9100001331	1	Schlauch Saugleiste PKD 90 schwarz	
	145 8513 000	1	FUSE BLADE 30A UL	
	40263A	1	SWITCH DPST	
	9098237000	2	Rad D.200mm	[3]
	9098997000	1	Verbind. Kit Schrubdeck	[2]
	9100002104	1	CHARGER BATT. O/B 12V 12A 100-230V JP	

Part Notes:

- [1] - NO LONGER AVAILABLE
- [2] - GUARANTEE DATE EXPIRED
- [3] - STOCK COVERS GUARANTEE

