

# PARTS LIST



2023.03.03

[www.nilfisk.com](http://www.nilfisk.com)



Ersatzteile unter [www.gluesing.net](http://www.gluesing.net)

# TABLE OF CONTENTS

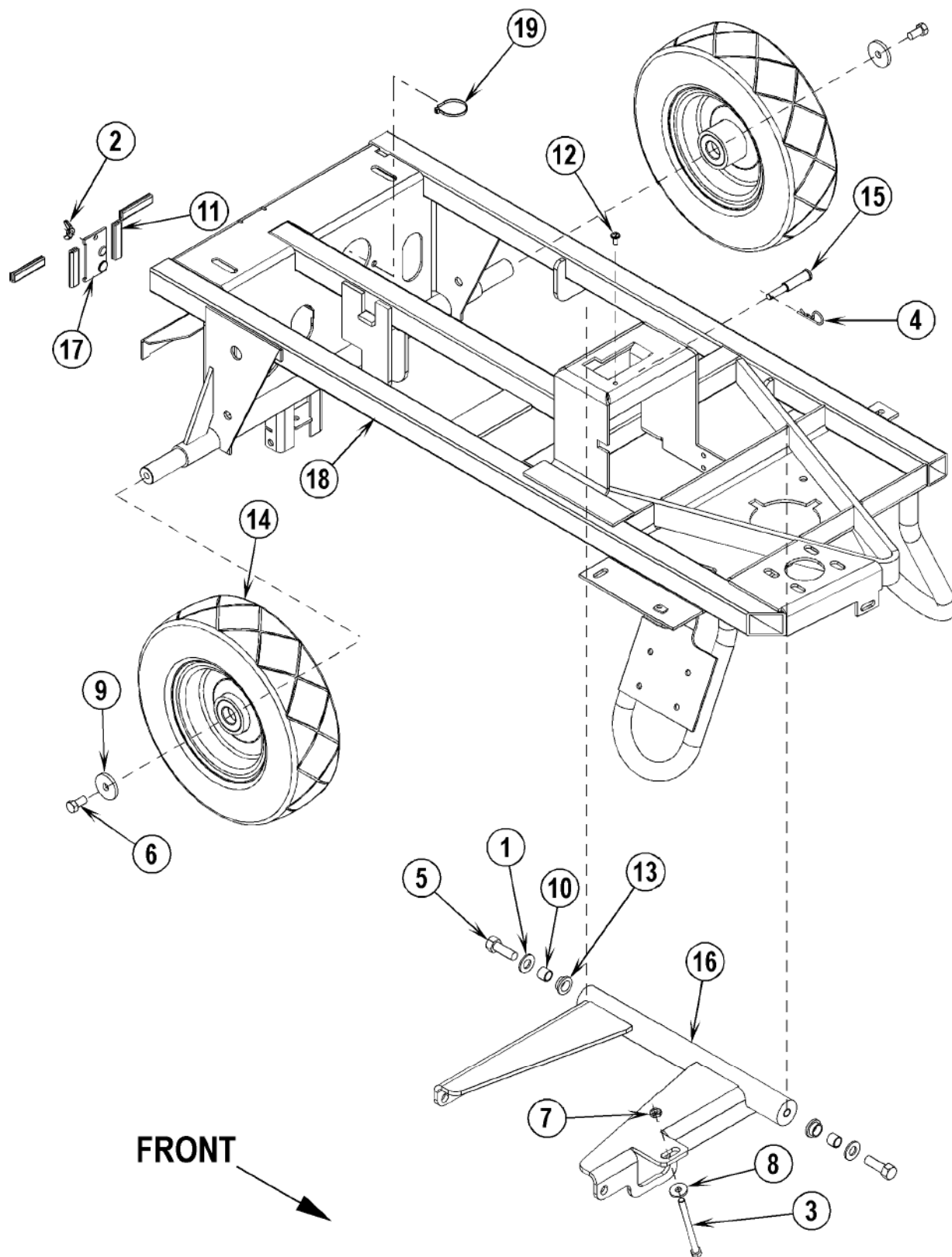
---

Chassis system - old version .....	1
Decal system - old version .....	3
Detergent injection system AXP-ECO + solution - old version .....	5
Drive & brake assemblies - old version .....	7
Electrical panel assembly - old version .....	9
Front wheel assembly - old version .....	11
Recovery system - old version .....	13
Scrub system-cylindrical (28" & 32") - old version .....	15
Scrub system-cylindrical (35" & 38") - old version .....	18
Scrub system-disk (28" & 32") - old version .....	21
Scrub system-disk (35" & 38") - old version .....	24
Skirt assemblies-cylindrical (all models) - old version .....	27
Skirt assemblies-disk (28" & 32" / before Oct. 2004) - old version .....	29
Skirt assemblies-disk (28" & 32" / after Sept. 2004) - old version .....	31
Skirt assemblies-disk (35" & 38") - old version .....	33
Solution system standard - old version .....	35
Solution system AXP-EDS - old version .....	38
Squeegee assembly - old version .....	41
Top view of squeegee tool castings - old version .....	43
Squeegee system - old version .....	45
Squeegee system IN and OUT position - old version .....	47
Steering column assembly - old version .....	49
Wiring diagram before SN chart - old version .....	52
Wiring diagram after SN chart - old version .....	55
Optional kits and accessories 1 - old version .....	58
Optional kits and accessories 2 - old version .....	61
Brush selector guide-disk - old version .....	63
Brush selector guide-cylindrical - old version .....	65
56412223 - Vacuum Wand Caddy Kit with inserts A .....	67
56412223 - Vacuum Wand Caddy Kit without inserts A .....	69
56314308 - Scrub-N-Vac Tool Kit .....	71
1462112000 - On Board Charger kit .....	73
56314302 - Warning Beacon Kit, before May 2008 .....	75
56314302 - Warning Beacon Kit, after April 2008 .....	77
56314306 - Right side Broom Kit .....	79
56314313 - Headlight Kit .....	81
56314338 - Dual Vac Motor Kit .....	83
56314715 - Kit, Deck BR 850S .....	85
56316525 - Kit, Deck BR 850S .....	87
56314919 - Flow Control Kit .....	89
56314312/56422162 - Seat Belt Kit .....	91
56314905 - Solution Flow Kit .....	93
56316186 - Dual Vac Motor Kit .....	95
56316186 - Dual Vac Motor Kit .....	97

# TABLE OF CONTENTS

---

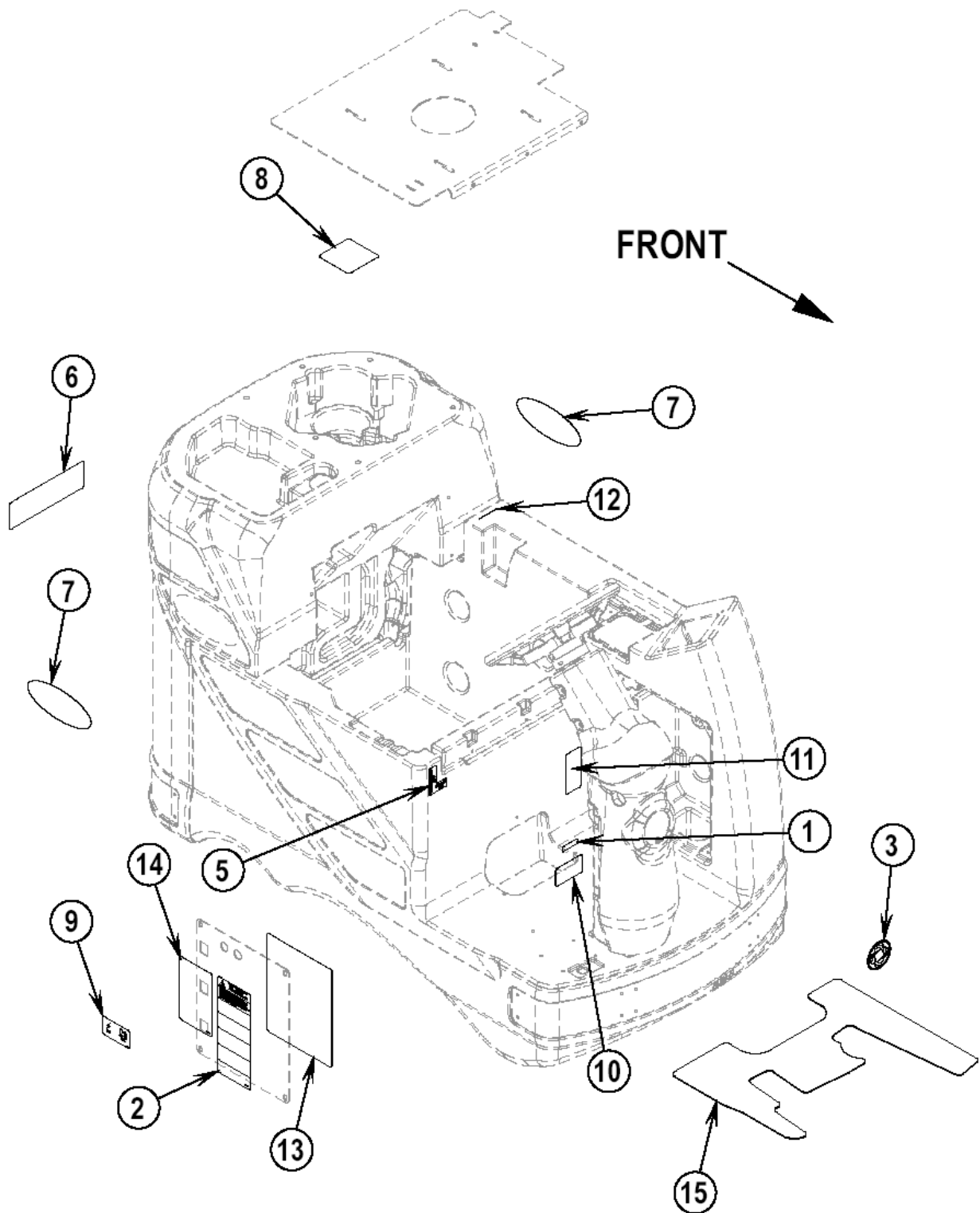
56316186 - Dual Vac Motor Kit .....	99
56316186 - Dual Vac Motor Kit .....	101
56316637 - Drive Wheel Harness Kit .....	103
56390779 - Debris Tray Kit .....	105
56390764 - Kit, Deck BR 850S .....	107
56390765 - Kit, Deck BR 850S .....	109
56390769 - Kit, Deck BR 850S C .....	111
56390776 - Kit, Deck BR 1050S .....	113
56382634 - Squeegee spring kit BR850S, 1050S .....	115



Pos.	Artikel-Nr.	Menge	Variante	Notes
01	56001879	3	U-SCHEIBEN	
02	56002084	1	NUT WING 1/4-20	
03	56002461	1	Schraube	
04	56002959	1	Splint zu BA 500	
05	56003415	2	Schraube HEX 1.75x35mm	
06	56003442	2	SCR HEX LOC M10-1.50X20MM	
07	56009086	1	NUT, HEX JAM 5/16-18	
08	56009122	2	Unterlegscheibe	
09	56367117	2	Scheibe Stahl	
10	56367206	2	BUCHSE	
11	56412122	4	Kantenschutz	
12	56009126	1	Schraube 1/4-20 x75	
13	56420160	2	Hülse BR 800	[1]
14	56412243	4	Kugellager 6005-2RS	
14	56382693	2	Rad	
15	56314152	1	Bolzen	
16	56314495	1	Haltestange	
17	56314537	1	Anschlagplatte	[2]
18	56314627	1	WELDMENT CHASSIS PAINTED	[3]
19	56477613	13	Kabelbändli 7x380mm	[4]
19	56478246	1	CABLE TIE E00549 RE438BA	[4]

## Part Notes:

- [1] - (each assembly includes two bearings)
- [2] - NO LONGER AVAILABLE
- [3] - GUARANTEE DATE EXPIRED
- [4] - Not shown



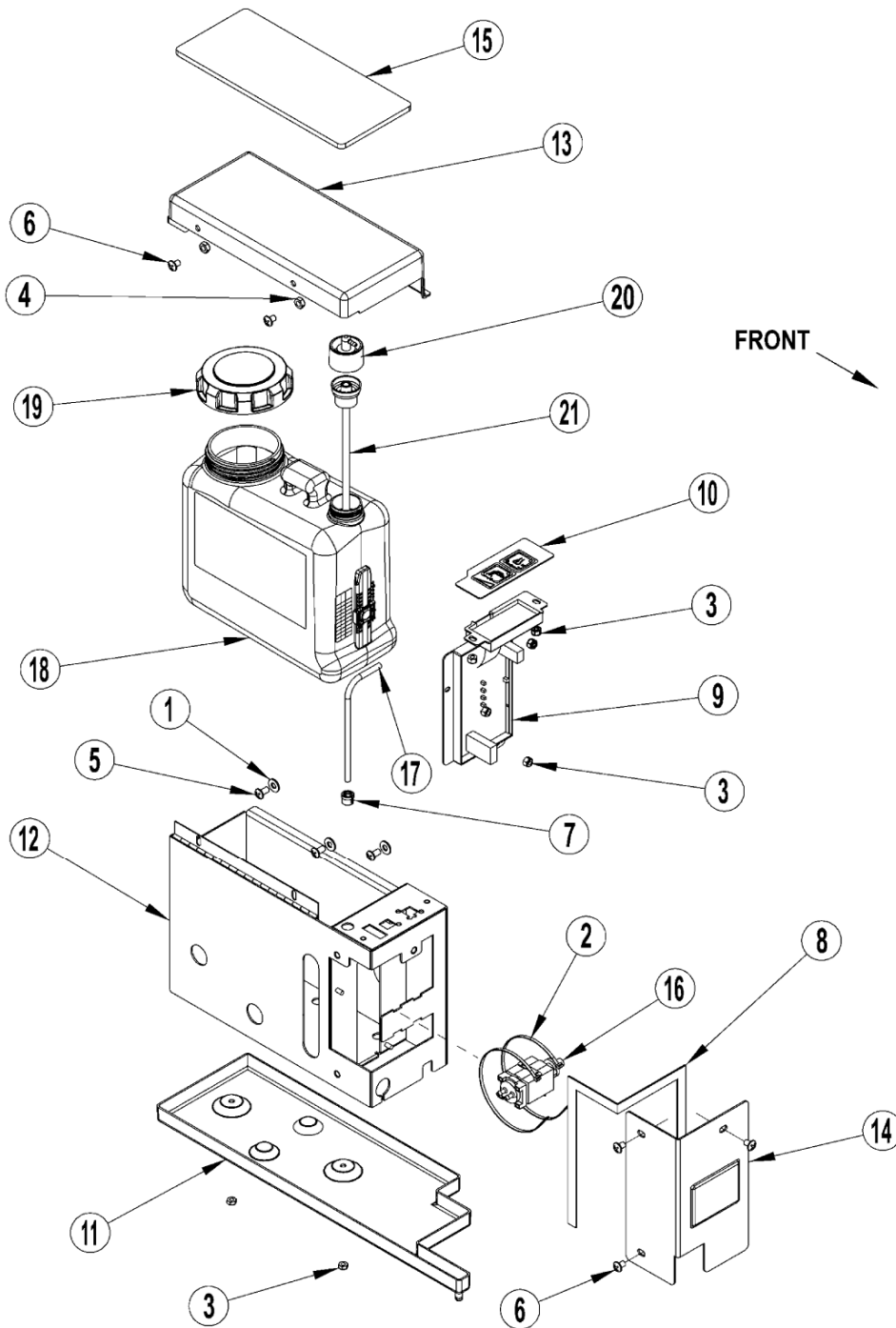
Resource notes:

NOTE 1: Used on machines built before serial number Chart A. NOTE 2: Used on machines built after serial number Chart A. NOTE 1 & 2 SERIAL NUMBER CHART "A" 1863250 - BR 850 1863255 - BR 950 1863260 - BR 1050

Pos.	Artikel-Nr.	Menge	Variante	Notes
01	56014450	1	DECAL PATENT	
02	56014601	1	DECAL, CAUTION	
03	56016348	1	Klebefolie, Logo	
05	56015179	1	Hinweisschild Notfall	
07	56015241	2	Aufkleber Nilfisk BR850S	
07	56015243	2	Aufkleber Nilfisk BR950S	[1]
07	56015258	2	Aufkleber Nilfisk BR1050S	
07	56016677	2	Typenschild BR 1050SC EDS	
07	56016676	2	DECAL BR950S EDS	[2]
07	56016675	2	DECAL-BR850S EDS	
08	56015242	1	DECAL-BATTERY WIRING	
09	56016328	1	DECAL CIRCUIT BREAKER	
10	56016401	1	DECAL PARKING BRAKE	
11	56015445	1	DECAL SOLUTION FLOW	[3]
11	56016402	1	Aufkleber, Frischwasser	[4]
12	56016421	1	Logo N-A	
13	56015231	1	DECAL LADDER DIAGRAM	[5]
13	56015807	1	LADDER DIAGRAM	[6]
14	56016455	1	DECAL ECO SOLUTION	
15	56314875	1	Fußmatte	

## Part Notes:

- [1] - GUARANTEE DATE EXPIRED
- [2] - SEE PI 2017-002
- [3] - (NOT USED ON EDS MODELS)TSB US 2004-874. Solution Flow Control Kit. PN-56314919.
- [4] - EXPIRED ON 7/9/2012
- (BEFORE TSBUS2004-874)TSB US 2004-874. Solution Flow Control Kit. PN-56314919.
- [5] - NOTE 1  
NON-SALEABLE ITEM
- [6] - NOTE 2  
NON-SALEABLE ITEM

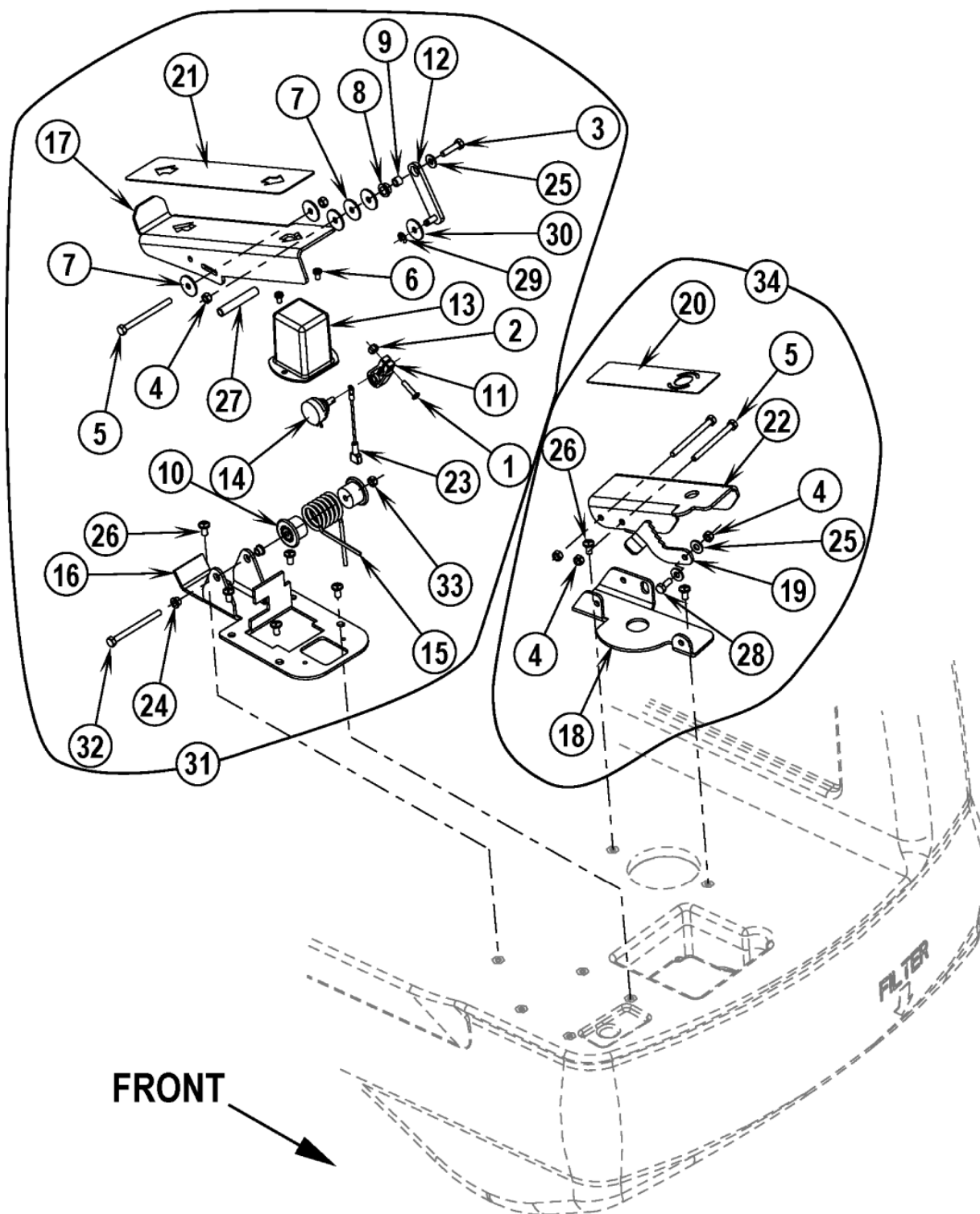




Pos.	Artikel-Nr.	Menge	Variante	Notes
	56316537	1	EDS-Dosiersystem	[1]
00	56315503	1	EDS-Behälter, nachfüllbar	[2]
01	56009025	3	WASHER, FLT	
02	56478523	2	Kabelbinder	
03	56002832	8	6-Kt Mutter Nylon	
04	56002840	2	Nut 1/4 20	
05	56002145	3	Schraube 1/4 20x .50	
06	56003580	5	Schraube 20x38	
07	56003699	1	Ablafschraube 1/4	
08	56200754	1	GASKET RS 1/16X1/2 E00252	
09	56316110	1	Platine f. EDS-System	[3]
10	56314937	1	Aufkleber - Bedienteil	
11	56314939	1	Bodenreinigungsmittel	
12	56314944	1	WELDMENT DETERGENT BOX	
13	56314945	1	Deckel EDS BR 950	
14	56314946	1	COVER PUMP	[4]
15	56314953	1	Polster zu EDS Deckel	[5]
16	56314984	1	PUMP DETERGENT	
17	56314991	1	Schlauch 14,	
18	56315511	1	Anzeige	
18	56315502	1	Chemikalien Behälter zuBA 551	
19	9100001817	1	CAP PLASTIC F CHEMICAL TANK SIP	
20	56315523	1	Deckel EDS-Schwimmer	
21	56315527	1	Buchseneinsatz EDSzu BA 551	

## Part Notes:

- [1] - (ITEMS 1-21) TSBUS2006-922TSB US 2006-922. EMC-RFI compliance
- [2] - (18-21)OPTIONAL
- [3] - TSBUS2006-922TSB US 2006-922. EMC-RFI compliance
- [4] - EXPIRED USE 56316664
- [5] - EXPIRED USE 56382997



Resource notes:

NOTE 1: If you need to replace either of these items please order Pedal Assembly 56413421.

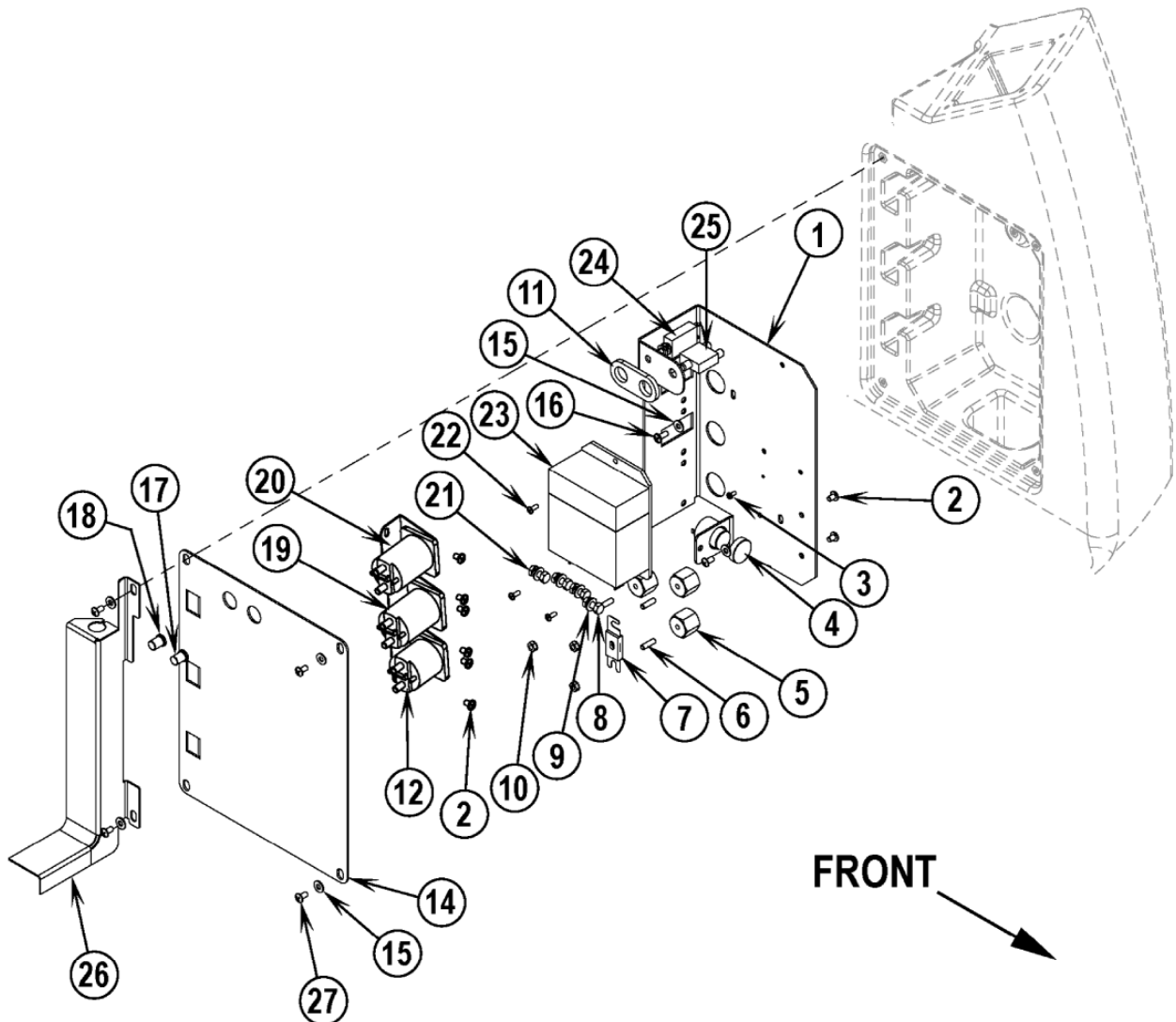
Pos.	Artikel-Nr.	Menge	Variante	Notes
01	56002733	1	002733N PHIL 10-24 X .88	
02	56002768	1	1/4-20 NYLOC NUT	
03	56003358	1	Schraube HEX M6x25,0	
04	56003403	5	Mutter M6 x 1.00	
05	56003428	3	Schraube M6 1.00 x 75mm	
06	56009030	2	Schraube 10-2	
07	56009060	5	SCHEIBE-U	
08	56324505	1	BEARING FLANGE .376E00201	
09	56380440	1	BUSHING M6 X .375 X .295	
10	56380438	2	SPACER SPRING	
11	56409471	1	Hebel PotetiometerBR 700	
12	56409610	1	Hebel	
13	56412094	1	Fahrpotigehäuse zu BR 700	
14	56454740	1	Potentiometer 5K	[1]
15	56314037	1	Torsionsfeder	
16		1	NOTE 1	[2]
17		1	NOTE 1	[2]
18	56314677	1	BRACKET BRAKE	[3]
19	56316657	1	LOCK-BRAKE	
20	56314138	1	Mat Pedal	
21	56314176	1	Abdeckung f. Fußpedal	
22	56316659	1	PEDAL WELDMENT	[4]
23	56412331	1	Potiseil	
24	56756318	2	LAGER	
25	56002098	4	Scheibe SAE 1/4	
26	56003119	7	SCR PAN PHIL SS 1/4 20 X .50.	
27	56380439	1	BUSHING	
28	56003174	1	Schraube	
29	56003268	1	Ring	
30	56009025	1	WASHER, FLT	
31	56413421	1	Gaspedal	
32	56002603	1	Schraube 1/4-20x3	
33	56002708	1	Stopmutter 1/4-20	
34	56314676	1	Bremspedal kpl.	[4]

## Part Notes:

- [1] - R1  
 [2] - NOTE 1  
 [3] - EXPIRED USE 56316658

TSBUS2008-1015TSB US 2008-1015. Brake pedal modification

- [4] - TSBUS2008-1015



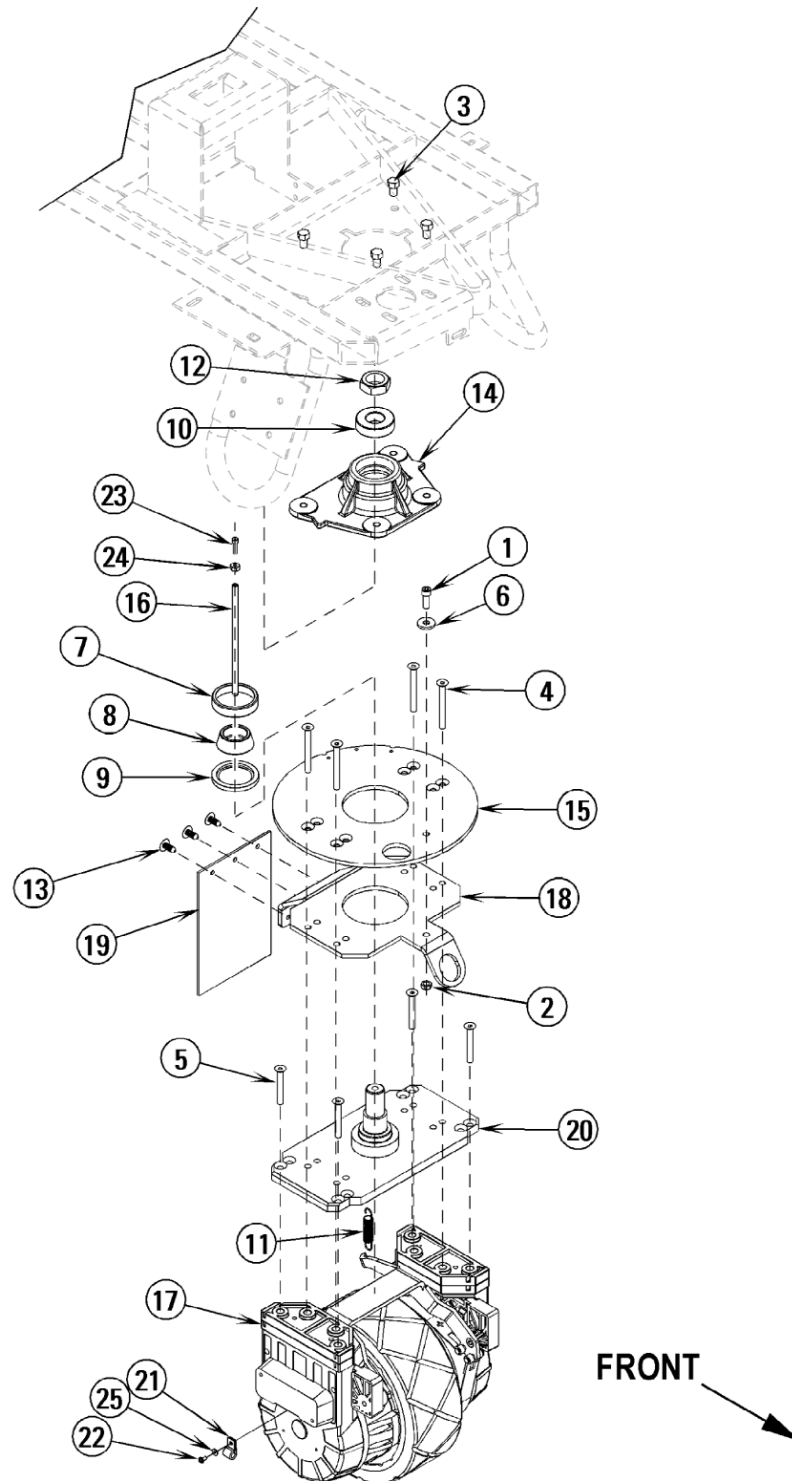
Resource notes:

NOTE 1: Electrical Cover 56314669 and Gasket 56407169 are no longer used in production and are OBSOLETE. If you need to replace either of these items please order 56109534.

Pos.	Artikel-Nr.	Menge	Variante	Notes
01	56314668	1	ELECTRICAL PANEL	[1]
02	56002462	9	SCR PAN PHIL 1/4-20X0.38	
03	56002523	1	SCR PAN HD PHIL HP5 8-32 X .38	
04	56412177	1	Horn RückfahralarmBR 1100S	[2]
05	56469858	3	INSULATED STANDOFF	
06	56009020	3	Stiftschraube 1/4-20x.88	
07	56412089	1	FUSE 150 AMP	
08	56001862	4	SCR HEX HD 5/16-18 X .50	
09	56009052	4	WSH, INT SHPRF 5/16	
10	56002708	3	Stopmutter 1/4-20	
11	56407193	1	GASKET	
12	56395455	1	Magnetventil 36V	[3]
14	56109534	1	Abdeckplatte	[4]
15	56002098	6	Scheibe SAE 1/4	
16	56003119	2	SCR PAN PHIL SS 1/4 20 X .50.	
17	56459369	1	Abdeckung Rückstellknopf5015	
18	56459367	1	Abdeckung Rückstellknopf5015	
19	56395453	1	CONTACTOR 36 VOLT 200 AMP	[5]
20	56395453	1	CONTACTOR 36 VOLT 200 AMP	[6]
21	56009086	4	NUT, HEX JAM 5/16-18	
22	56001993	3	SCR PAN HD PHIL 10-24X.50	
23	56394375	1	SPEED CONTROLLER KIT	
24	56387316	1	Schütz 10A	[7]
25	56454429	1	CIRCUIT BREAKER 70A	[8]
26	56314956	1	Halterung	[9]
27	56002989	4	Schraube	

## Part Notes:

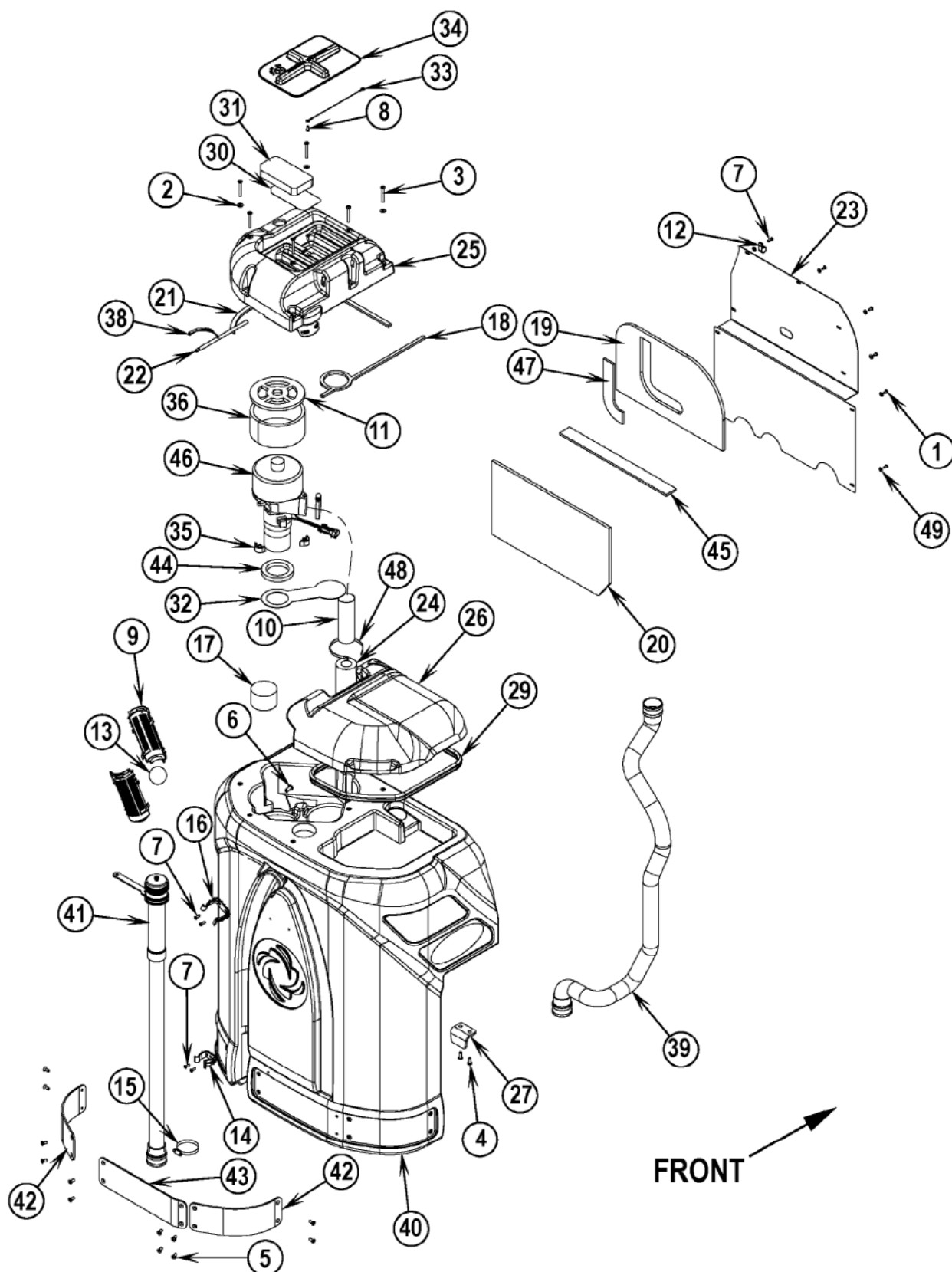
- [1] - EXPIRED NO REPLACEMENT
- [2] - H1
- [3] - Vac Motor / K2
- [4] - Note 1
- [5] - Brush Drive / K1
- [6] - Wheel Drive / K3
- [7] - Control Circuit / F3
- [8] - Wheel Drive / F2
- [9] - Detergent Injection models only  
EXPIRED USE 56316661



Pos.	Artikel-Nr.	Menge	Variante	Notes
01	56002158	1	Schraube HD 5/16 18x.88	
02	56002826	1	NUT HEX NYLOC THIN 5/16-1	
03	56003040	4	Schraube HEX LOC3/8-16*62	
04	56003273	4	Schraube, FLAT SOC M8-1,2	
05	56003274	4	Schraube, Floc Soc	
06	56009122	1	Unterlegscheibe	
07	56158143	1	Lagerschale	
08	56158151	1	Kegelrollenlager	
09	56171081	1	Simmenring	
10	56378380	1	Kugellager 0.9843	
11	56481699	1	Feder	
12	56003220	1	Schraube	
13	56003263	3	"Nylonstift 0.25""	
14	56314032	1	Lagerblock	
15	56314116	1	Platte f. Steuerung	
16	56314157	1	Verbindungsstange, Bremse	
17	56390817	1	Antriebsrad kpl. m. Motor	[1]
	56394044	1	ROTOR-MOTOR-BALANCED	[2]
	56384884	1	MOTOR BRUSH KIT	[2]
17	56412322	1	Kugellager (Getriebe-	[3]
17	56109590	1	Deckel f. Anschlusskasten	[3]
17	56316637	1	Kabelsatz	[3]
17	56390814	1	Antriebsrad kpl. Urethan	[3]
17	56314282	1	Halterung f. Bremszug-	[4]
17	56412320	1	KOHLLENDECKELSET À 4 STÜCKBR 800 S	[3]
17	56412325	1	Kohlenbürsten Set	[3]
17	56412323	1	Kugellager (Bürstenseite)	[3]
17	56109589	1	Anschlusskasten	[3]
17	56412321	1	Dichtring	[3]
17	56314289	1	Bremsband BR 950 S	[3]
17	56380506	1	Antriebsmotorkit	[5]
18	56314278	1	Platte	
19	56314283	1	Radspritzschutz	
20	56314085	1	Lagerbock BR 1050	[6]
21	56305317	1	Klammer	
22	56003653	1	Stift	
23	56003611	1	Schraube SS 10 24 x 88	
24	56009293	1	Mutter HEX Mach SS 10-25	
25	56002006	1	WSH FLT SAE 6	

## Part Notes:

- [1] - (M3) TSBUS2008-1015TSB US 2008-1015. Brake pedal modification
- [2] - Service parts used in 56390817
- [3] - Not shown
- [4] - Not shown  
NO LONGER AVAILABLE
- [5] - TSBUS2008-1015 - Not shown
- [6] - TSBUS2005-913

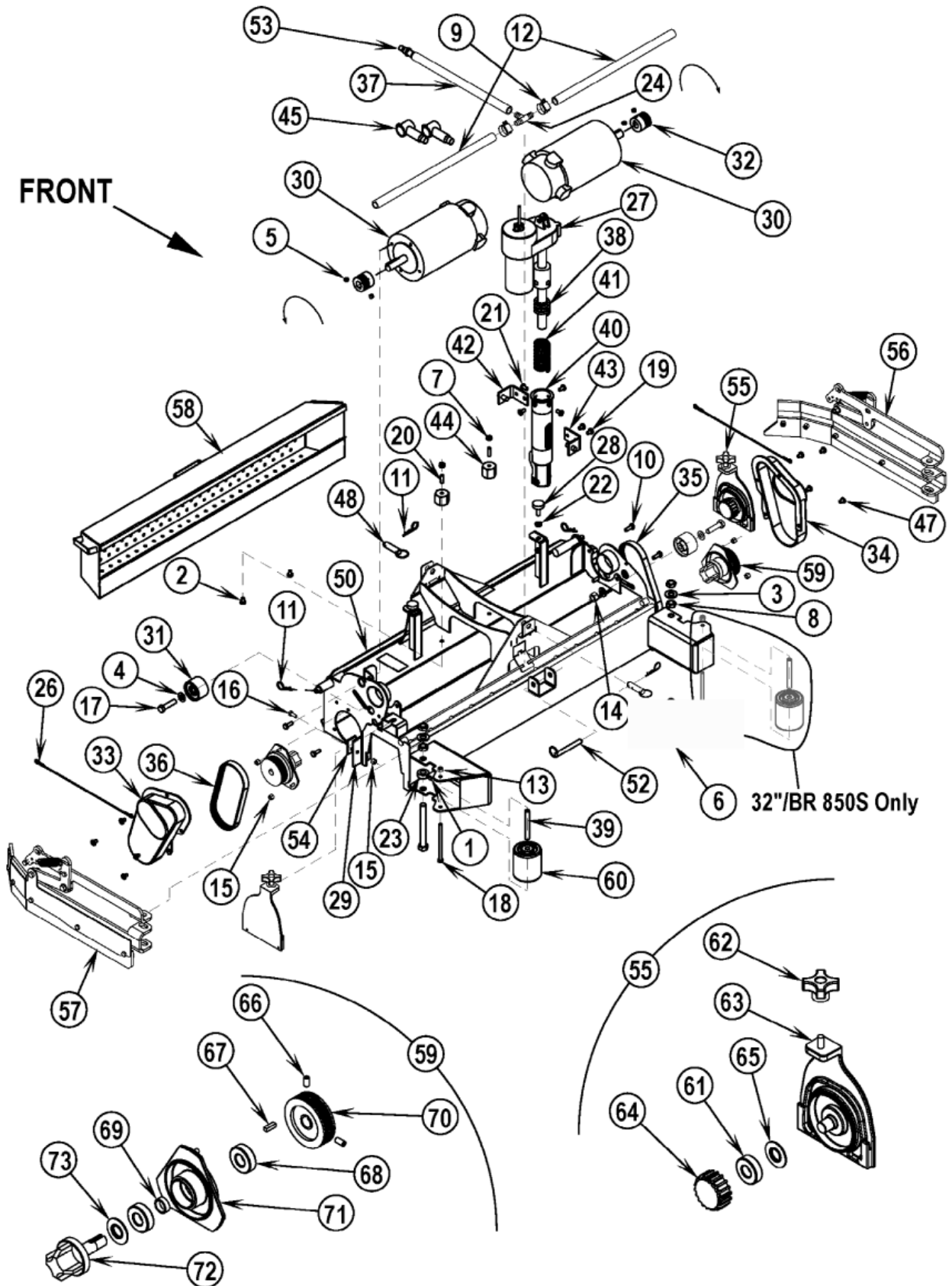




Pos.	Artikel-Nr.	Menge	Variante	Notes
01	56002043	8	Schraube 10-24 x 38	
02	56002098	7	Scheibe SAE 1/4	
03	56002108	6	Schraube PAN HD PHIL 1/4-	
04	56002507	4	SCR PAN PHIL 1/4-20 X .75	
05	56002711	12	SCHRQAUBE 1/4-20X3/4KONISCH	
06	56002793	1	Schraube PAN PHIL 5/16-18	
07	56002896	5	Schraube SS10-24X0	
08	56009191	2	Schraube PAN PHIL 10-14x.	
09	56324497	2	Schwimmgitter zu BA 700	
10	56385599	1	SCHLAUCH 2'X8'	
11	56314704	1	Gummidichtung	
12	56385564	1	Klemme	
13	56391690	1	Schwimmerball	
14	56407361	1	Plastikklammer zu BR 850	
15	56440213	3	Schlauchbride	
16	56212236	1	Schlauchbride BR 850	
17	56314098	2	FOAM CYLINDER	
18	56314760	1	Dichtung	
19	56314100	1	Deckplatte f. Auspuff	
20	56314101	1	Grundplatte f. Auspuff	
21	56413846	1	Dichtung umlaufend	
22	56314115	1	Gelenkbolzen	
23	56382619	1	Abdeckung	
24	56391807	1	SCHLAUCH	
25	56316542	1	COVER-VAC MOTOR	
26	56316544	1	LID-RECOVERY TANK	
27	56314220	2	Befestigungswinkel f.Tank	
28	56314251	1	Kabelbaum Tank	
29	56314371	1	Dichtung SchmutzwassertanBR 950 S	
30	56314372	1	Filtersieb	
31	56314373	1	Filterschwamm BR 700 S	
32	56314376	1	Abscheiderdeckel	
33	56314400	1	Bowdenzug	
34	56109539	1	Dichtung	
35	56314484	3	Befestigung	
36	56314488	1	Schalldämpfer	
38	56314509	1	Feder	
39	56314533	1	Saugschlauch BR 700S	
40	56390832	1	Schmutzwassertank	
41	56394273	1	Ablassschlauch	[1]
41	56601411	1	Ablassschlauchdeckel komplBA 755	[2]
41	56601410	1	Abläßschlauch 11.5FT 3.5M	[2]
42	56316641	2	BUMPER-REAR	
43	56316642	1	BUMPER-REAR MIDDLE	
44	56314760	1	Dichtung	
45	56314706	1	Schaumstoff	
46	56410065	1	Saugmotor 36V	[3]
46	56212223	1	CARBON BRUSH SET OF 2	[2]
47	56314705	1	Schaumstoff	
48	56477613	1	Kabelbändli 7x380mm	
49	56001954	9	WSH FLT SAE 10	

## Part Notes:

- [1] - TSB-US 2011-0015 - Suction Hose Improvement
- [2] - Not shown
- [3] - M5



Resource notes:

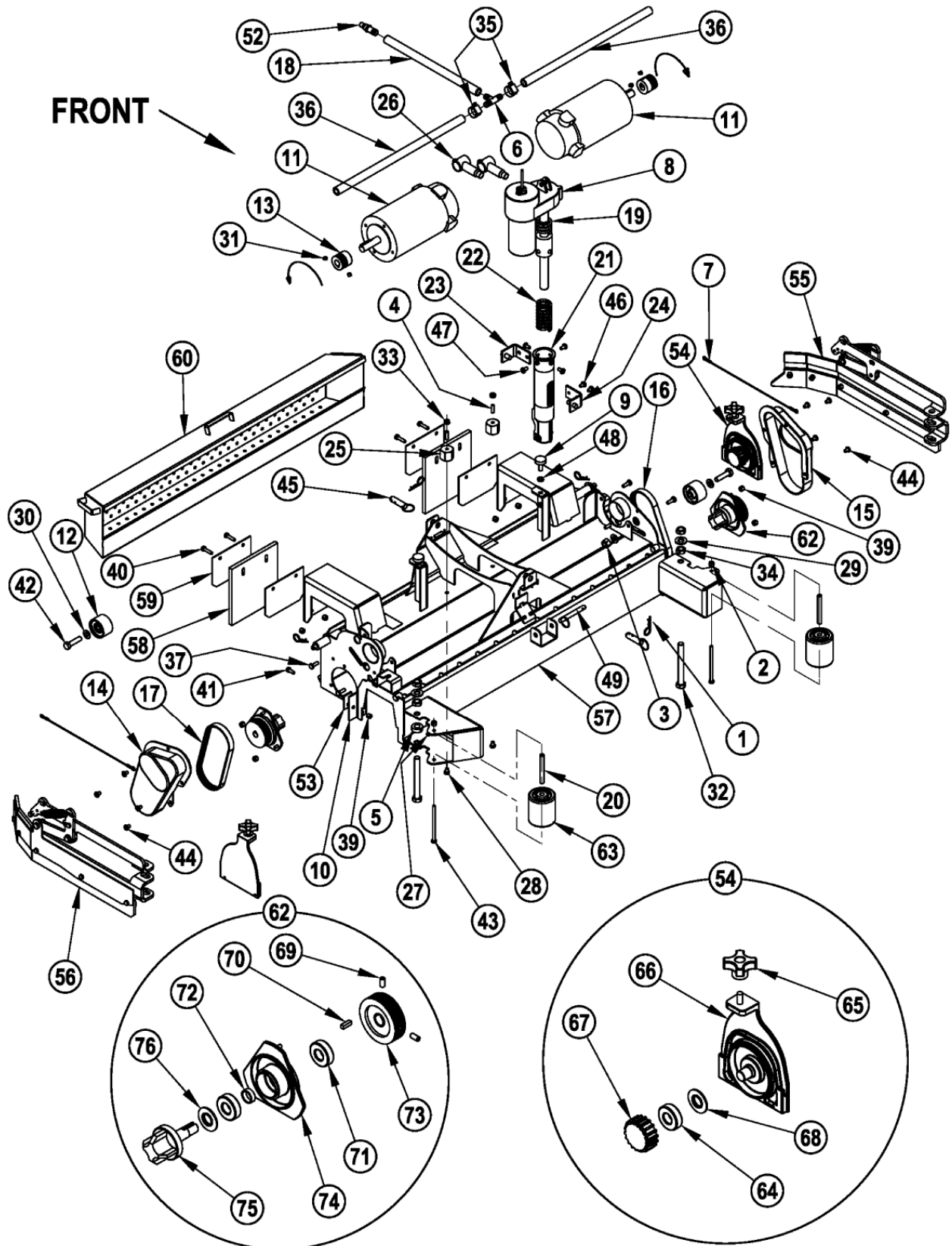
NOTE: See "BRUSH SELECTOR GUIDE" at back of manual for available scrub brushes. NOTE 2: See "SKIRT ASSEMBLIES-CYLINDRICAL".

Pos.	Artikel-Nr.	Menge	Variante	Notes
01	56001841	2	Madenschraube	
02	56001861	2	SCR HEX HD 1/4-20 X.38	
03	56001879	2	U-SCHEIBEN	
04	56002063	4	"U-Scheibe 3/8""	
05	56002086	4	Madenschraube	
06	56002484	2	Schraube 1/2-13 x 4.5	[1]
07	56002708	2	Stopmutter 1/4-20	
08	56002843	4	NUT HEX NYL LOC-THIN1/2-1	
09	56112771	2	CLAMP HOSE SAE 10	
10	56002948	6	Schraube 1/4-20 X .75	
11	56002959	4	Splint zu BA 500	
12	56316552	2	PVC - Schutzrohr	
12	56316553	2	PVC - Schutzrohr	
13	56003403	2	Mutter M6 x 1.00	
14	56003406	2	Mutter HEX NYL LOC	
15	56003426	8	Stopmutter M6 Inox	
16	56003431	2	Schraube M6 x 16	
17	56003491	2	Schraube HEX M10-1.5	
18	56003492	2	Schraube HEX M6-1,0x95mm	
19	56009019	2	Schraube 1/4-20x.38	
20	56009020	2	Stiftschraube 1/4-20x.88	
21	56009126	4	Schraube 1/4-20 x75	
22	56009086	4	NUT, HEX JAM 5/16-18	
23	56152811	2	Hülse	
24	56262549	1	Aufsatz	
26	56330391	2	Drahtseil zu BR700	
27	56393303	1	Antrieb	[2]
27	56388520	1	Spindelmutter	[3]
28	56401783	2	Anschlagschraube BR 700S	
29	56407391	2	Spritzschutz vorne/hinten	
30	56407431	2	Bürstenmotor zu BR 850/C	[4]
30	56410183	1	BEARING F.E.	[3]
30	56407492	1	Bürsten Abdeckhaube	[5]
30	56407494	2	Abdeckung f. Kohlebürste	[5]
30	56407493	2	Kohle BR 600/650/700/800BR 850/950/1050	[3]
30	56407489	1	ARMATURE	
31	56407432	2	Spannrolle	
32	56407433	2	Scheibe, Poly-V	
33	56407434	1	Riemengehäuse rechtszu BR 700/C	
34	56407435	1	Riemengehäuse linkszu BR 700/C	
35	56407465	1	Riemen, Poly-V 180J6	
36	56407466	1	Riemen, Poly-V 190J6	
37	56409462	1	Schlauch 0.50x12.0	
38	56412071	1	Druckfeder	
39	56412176	2	Lager	
40	56412262	1	Federgehäuse BA750/850	
41	56420018	1	Springfeder unten BR 700C	
42	56420019	1	Mutter arretierung	
43	56420020	1	Mutter arretierung	
44	56469858	2	INSULATED STANDOFF	
45	56493357	2	INSULATOR TERMINAL	
47	56003603	8	Schraube 1/4-2 OX.38	
48	56003671	2	Bolzen 0.5x1.25	
49		1	Accessory plate, data plate - not available	[6]
50	56316571	1	Gehäuse 32	[7]
51	56314254	1	Anschlußkabel Bürstenmotor	[3]
52	56314294	1	Bolzen 0.375x3.0	
53	56314310	1	Kupplung	[8]
54	56009060	2	SCHEIBE-U	

Pos.	Artikel-Nr.	Menge	Variante	Notes
55	56115344	2	IDLER END ASSY	[9]
56	56314648	1	Seitenschürze, links	[10]
57	56314649	1	Seitenschürze, rechts	[10]
58	56397443	1	Schmutzfangblech 32	[11]
59	56407559	2	Bürstenlager Antriebseite	[12]
60	56412459	2	Rad	
61	56106070	1	BEARING BALL Z22	
62	56407303	1	Rändelmutter	
63	56315447	1	Spannradträger	
64	56115273	1	Abdeckung Lager	
65	56407558	1	Scheibe zu BR 850	
66	56002119	2	Schraube 1/4-20x50zu BR 1000	
67	56003237	1	Keil 19x.62	
68	56106070	2	BEARING BALL Z22	
69	56407389	1	Distanzbüchse	
70	56407442	1	Riemenscheibe POLY-V	
71	56381765	1	Lagerplatte	
72	56109527	1	Bürstenklaue BR 950	
73	56407558	1	Scheibe zu BR 850	

## Part Notes:

- [1] - GUARANTEE DATE EXPIRED
- [2] - M1
- [3] - Not shown
- [4] - M7 and M8
- [5] - Not shown  
SEE TSB-FC-2015-040  
TSB-FC-2015-040 Replacement Parts
- [6] - Accessory plate, data plate - not available
- [7] - TSBUS2005-899  
56316670 TSBUS2005-899
- [8] - only before TSBUS2005-888
- [9] - 61-65
- [10] - NOTE 2
- [11] - BR 850S  
EXPIRED USE 56316671
- [12] - 66-73



Resource notes:

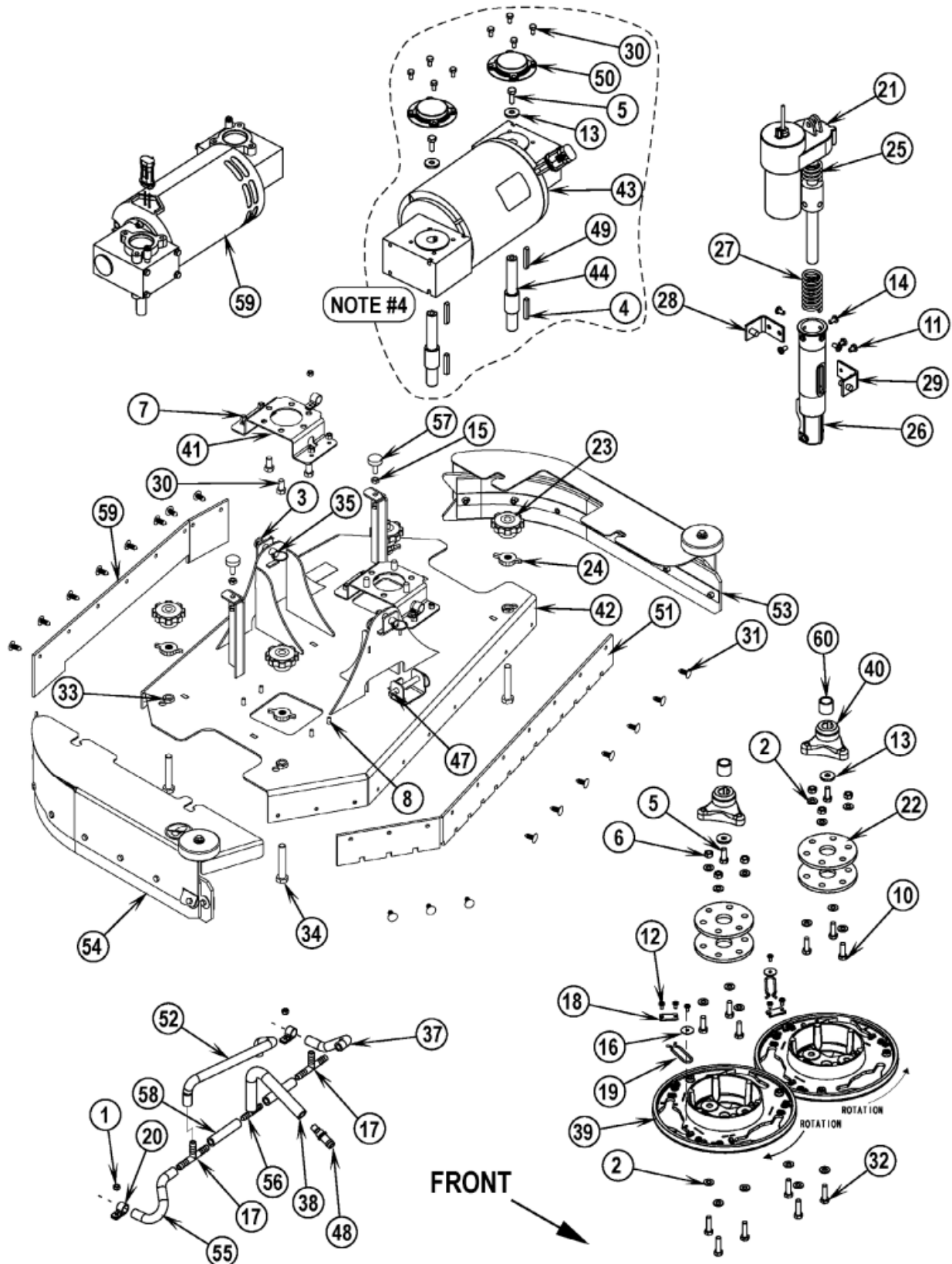
NOTE: See "BRUSH SELECTOR GUIDE" at back of manual for available scrub brushes. NOTE 2: Deck Blade Kits include two (item 58) Blades and two blades for use in Skirt Assemblies (items 55 & 56). NOTE 3: See "SKIRT ASSEMBLIES-CYLINDRICAL".

Pos.	Artikel-Nr.	Menge	Variante	Notes
01	56002959	4	Splint zu BA 500	
02	56003403	2	Mutter M6 x 1.00	
03	56003406	2	Mutter HEX NYL LOC	
04	56009020	2	Stiftschraube 1/4-20x.88	
05	56152811	2	Hülse	
06	56262549	1	Aufsatz	
07	56330391	2	Drahtseil zu BR700	
08	56388520	1	Spindelmutter	[1]
08	56393303	1	Antrieb	[2]
09	56401783	2	Anschlagschraube BR 700S	
10	56407391	2	Spritzschutz vorne/hinten	
11	56407492	1	Bürsten Abdeckhaube	[3]
11	56407494	4	Abdeckung f. Kohlebürste	[3]
11	56407493	4	Kohle BR 600/650/700/800BR 850/950/1050	[1]
11	56407431	2	Bürstenmotor zu BR 850/C	[4]
11	56407489	1	ARMATURE	[1]
12	56407432	2	Spannrolle	
13	56407433	2	Scheibe, Poly-V	
14	56407434	1	Riemengehäuse rechtszu BR 700/C	
15	56407435	1	Riemengehäuse linkszu BR 700/C	
16	56407465	1	Riemen, Poly-V 180J6	
17	56407466	1	Riemen, Poly-V 190J6	
18	56409462	1	Schlauch 0.50x12.0	
19	56412071	1	Druckfeder	
20	56412176	2	Lager	
21	56412262	1	Federgehäuse BA750/850	
22	56420018	1	Springfeder unten BR 700C	
23	56420019	1	Mutter arretierung	
24	56420020	1	Mutter arretierung	
25	56469858	2	INSULATED STANDOFF	
26	56493357	2	INSULATOR TERMINAL	
27	56001841	2	Madenschraube	
28	56001861	2	SCR HEX HD 1/4-20 X.38	
29	56001879	2	U-SCHEIBEN	
30	56002063	4	"U-Scheibe 3/8""	
31	56002086	4	Madenschraube	
32	56002484	2	Schraube 1/2-13 x 4.5	[5]
33	56002708	2	Stopmutter 1/4-20	
34	56002843	4	NUT HEX NYL LOC-THIN1/2-1	
35	56112771	2	CLAMP HOSE SAE 10	
36	56316550	2	PVC - Rohr	
36	56316551	2	Plastikrohr	
37	56002948	6	Schraube 1/4-20 X .75	
39	56003426	12	Stoppmutter M6 Inox	
40	56003695	4	Schraube M6	
41	56003431	2	Schraube M6 x 16	
42	56003491	2	Schraube HEX M10-1.5	
43	56003492	2	Schraube HEX M6-1,0x95mm	
44	56003603	8	Schraube 1/4-2 OX.38	
45	56003671	2	Bolzen 0.5x1.25	
46	56009019	2	Schraube 1/4-20x.38	
47	56009126	4	Schraube 1/4-20 x75	
48	56009086	4	NUT, HEX JAM 5/16-18	
49		1	Accessory plate, data plate - not available	[6]
50	56314254	1	Anschlußkabel Bürstenmotor	[1]
51	56314294	1	Bolzen 0.375x3.0	
52	56314310	1	Kupplung	[7]
53	56009060	2	SCHEIBE-U	
54	56115344	2	IDLER END ASSY	[8]

Pos.	Artikel-Nr.	Menge	Variante	Notes
55	56314648	1	Seitenschürze, links	[9]
56	56314649	1	Seitenschürze, rechts	[9]
57	56316672	1	HOUSING WELDT-35	[10]
57	56316573	1	Bürstengehäuse	[11]
58	56390991	1	Gummileisten-Set, zyl., PU	[12]
58	56314860	1	Spritz Gummi-Set, rot	[13]
59	56314867	4	STRAP	[5]
60	56314869	1	Staubbehälter	[14]
60	56316674	1	HOPPER WELDT-35	[10]
62	56407559	2	Bürstenlager Antriebseite	[15]
63	56412459	2	Rad	
64	56106070	1	BEARING BALL Z22	
65	56407303	1	Rändelmutter	
66	56315447	1	Spannradträger	
67	56115273	1	Abdeckung Lager	
68	56407558	1	Scheibe zu BR 850	
69	56002119	2	Schraube 1/4-20x50zu BR 1000	
70	56003237	1	Keil 19x.62	
71	56106070	2	BEARING BALL Z22	
72	56407389	1	Distanzbüchse	
73	56407442	1	Riemenscheibe POLY-V	
74	56381765	1	Lagerplatte	
75	56109527	1	Bürstenklaue BR 950	
76	56407558	1	Scheibe zu BR 850	

## Part Notes:

- [1] - Not shown
- [2] - M1
- [3] - Not shown  
SEE TSB-FC-2015-040  
TSB-FC-2015-040 Replacement Parts
- [4] - M7 and M8
- [5] - GUARANTEE DATE EXPIRED
- [6] - Accessory plate, data plate - not available
- [7] - only before TSBUS2005-888TSB US 2005-888. Increase to solution flow
- [8] - 64-68
- [9] - NOTE 3
- [10] - BR 950S  
GUARANTEE DATE EXPIRED
- [11] - BR 1050S  
EXPIRED USE 56316675
- [12] - NOTE 2  
EXPIRED ON 9/2/2021
- [13] - NOTE 2
- [14] - BR 1050S  
EXPIRED USE 56316676
- [15] - 69-76



Resource notes:

NOTE 1: See: BRUSH SELECTOR GUIDE - at back of manual for available scrub brushes. NOTE 2: These Disk Deck Blade Kits include the mounting fasteners (Rivet, Nylon Tree Push-In 56003263 item 31), the two blades (items 51 59) and two blades for use in Skirt Assemblies (items 53 54). NOTE 3: Only used after serial number 1931775. NOTE 4: Only used before serial number 1931776. NOTE 5: These Disk Deck Blade Kits include just the blades for use in the two Skirt Assemblies. NOTE 6: See: SKIRT ASSEMBLIES-DISK (BR 850S BEFORE TSBUS2004-884). NOTE 7: See: SKIRT ASSEMBLIES-DISK (BR 850S AFTER TSBUS2004-884). POS. A: Disk Deck Blade Kits (Before TSBUS2004-884) POS. B: Disk Deck Blade Kits (After TSBUS2004-884) TSB US 2004-884. Improved Side Skirt Assemblies

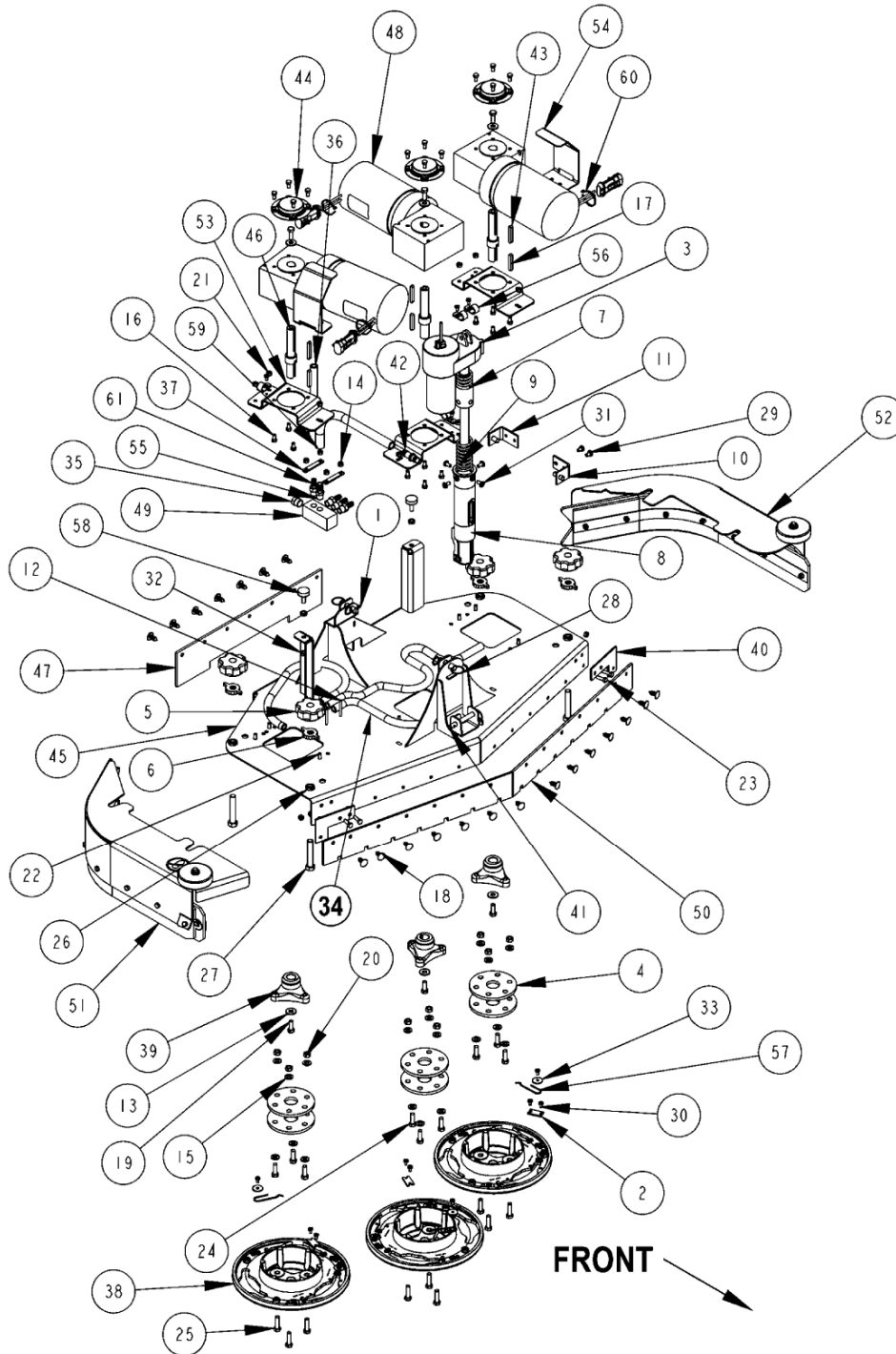


Pos.	Artikel-Nr.	Menge	Variante	Notes
01	56002768	2	1/4-20 NYLOC NUT	
02	56002938	18	WSH FLT SAE SS 5/16	
03	56002959	4	Splint zu BA 500	
04	56315722	1	Seitenschürzen-Set, Gummi	[1]
04	56315721	1	Seitenschürzen-Set, rot	[1]
04	56003246	2	Keil 25 x 1,62	[2]
05	56003335	4	Schraube HEX	[3]
06	56003405	6	Stopmutter M8 Inox	
07	56003426	8	Stoppmutter M6 Inox	
08	56003431	8	Schraube M6 x 16	
0A	56315724	1	BLADE KIT-DISC GUM SIDE	[4]
0A	56314127	1	Seitenschürze 32", 813 mm	[5]
0A	56314398	1	Gummileisten-Set	[6]
0A	56314173	1	Seitenschürzenkit, ölfest	[7]
0A	56315723	1	Seitenschürzen-Set, Gummi, rot	[4]
0B	56314918	1	Spritz Gummi-Set	
0B	56315721	1	Seitenschürzen-Set, rot	[4]
0B	56314914	1	Seitenschürzen-Set	[6]
0B	56315722	1	Seitenschürzen-Set, Gummi	[4]
10	56003477	6	Schraube M 8-1,25x25	
11	56009019	2	Schraube 1/4-20x.38	
12	56009030	6	Schraube 10-2	
13	56009057	4	WSHFLTHARD.344x1.000x	[3]
14	56009126	4	Schraube 1/4-20 x75	
15	56009086	4	NUT, HEX JAM 5/16-18	
16	56009096	2	Scheibe zu BR 1000	
17	56249280	2	T-Stück 3/8x3/8	
18	56366455	2	Platte zu BR 1000	
19	56366463	2	SPRING RETAINER CV24C	
20	56385564	2	Klemme	
21	56393303	1	Antrieb	[8]
21	56388520	1	Spindelmutter	[9]
22	56407053	4	Gummischeibe Bürstenantr.BR 800 S	[10]
23		4	TSBUS2007-963	[11]
24	56601578	4	Drehknopf	
25	56412071	1	Druckfeder	
26	56412262	1	Federgehäuse BA750/850	
27	56420018	1	Springfeder unten BR 700C	
28	56420019	1	Mutter arretierung	
29	56420020	1	Mutter arretierung	
30	56002885	6	SCR HEX HD SS 3/8-16X0	
30	56003211	16	Schraube HEX HDSS	[2]
31	56003263	18	"Nylonstift 0.25""	[12]
32	56003639	6	Schraube HEX SSM8-1,25x30	
33	56003657	4	Mutter M12-1.75	
34	56003658	4	Schraube	
35	56003671	2	Bolzen 0.5x1.25	
37	56249682	1	SCHLAUCH	
38	56262180	1	SPIRALSCHLAUCH 50X7	
39	56314030	2	Bürstenhalter BA 650	
40	56314108	2	Bürstenflansch BR 1300/S	[12]
41	56315701	2	Motorträger	[13]
41	56316678	2	BRACKET-MOTOR	[2]
42	56314090	1	Grundplatte	[14]
43	56314584	1	SAFETY HOOK	
43	56314580	1	Kugellager	[9]
43	56314499	2	Deckel f. Getriebe	[9]
43	56412323	1	Kugellager (Bürstenseite)	[9]
43	56314560	2	Fahrgetriebe	[9]

Pos.	Artikel-Nr.	Menge	Variante	Notes
43	56314583	4	Kohlebürste f. BR6-800S	[9]
43	56314582	1	BRUSH RING	[9]
43	56314359	2	Keil 6mm	[9]
43	56314335	1	Motor mit WinkelgetriebeBR 800 S	[2]
44	56314218	2	Steckachse	[2]
47	56314294	1	Bolzen 0.375x3.0	
48	56314310	1	Kupplung	[15]
49	56314359	2	Keil 6mm	[2]
50	56314499	2	Deckel f. Getriebe	
51		1	See Disk Deck Blade Kits Pos. A + B	[16]
52	56412189	1	Bremsschlauch BR 700	
53	56314898	1	Seitenschürze, links	[17]
53		1	before TSBUS2004-884 - NOTE 6 - not available	[18]
54		1	before TSBUS2004-884 - NOTE 6 - not available	[18]
54	56314896	1	Seitenschürzen-Kit, recht	[17]
55	56392277	1	Schlauch	
56	56397300	1	T-Stück	
57	56401783	2	Anschlagschraube BR 700S	
58	56412187	2	Frischwasserverbindungs-	
59	56315711	2	Getriebe	[9]
59	56315704	1	Motor m. Getriebe	[19]
60	56315705	2	Hülse	[12]
61		1	See Disk Deck Blade Kits Pos. A + B	[16]

## Part Notes:

- [1] - NOTE 3 - optional
- [2] - NOTE 4
- [3] - qty of 2 after NOTE 3
- [4] - NOTE 5
- [5] - NOTE 2  
GUARANTEE DATE EXPIRED
- [6] - NOTE 2
- [7] - NOTE 2  
EXPIRED ON 10/3/2011
- [8] - M1
- [9] - Not shown
- [10] - EXPIRED USE 56383238
- [11] - TSBUS2007-963
- [12] - NOTE 3
- [13] - NOTE 3  
EXPIRED USE 56316680
- [14] - BR 850S  
EXPIRED USE 56316681
- [15] - only before TSBUS2005-888
- [16] - See Disk Deck Blade Kits Pos. A + B
- [17] - after TSBUS2004-884 - NOTE 7
- [18] - before TSBUS2004-884 - NOTE 6 - not available
- [19] - M7 - NOTE 3



Resource notes:

NOTE 1: See "BRUSH SELECTOR GUIDE" at back of manual for available scrub brushes. NOTE 2: These Disk Deck Blade Kits include the mounting fasteners (Rivet, Nylon Tree Push-In 56003263 item 18), the two blades (items 47 & 50) and two blades for use in Skirt assemblies (items 51 & 52). NOTE 3: These Disk Deck Blade Kits include just the blades for use in the two Skirt Assemblies. NOTE 4: See "SKIRT ASSEMBLIES-DISK (BR 950S, 1050S)". Pos. A: BR 950S Disk Deck Blade Kit Pos. B: BR 1050S Disk Deck Blade Kits

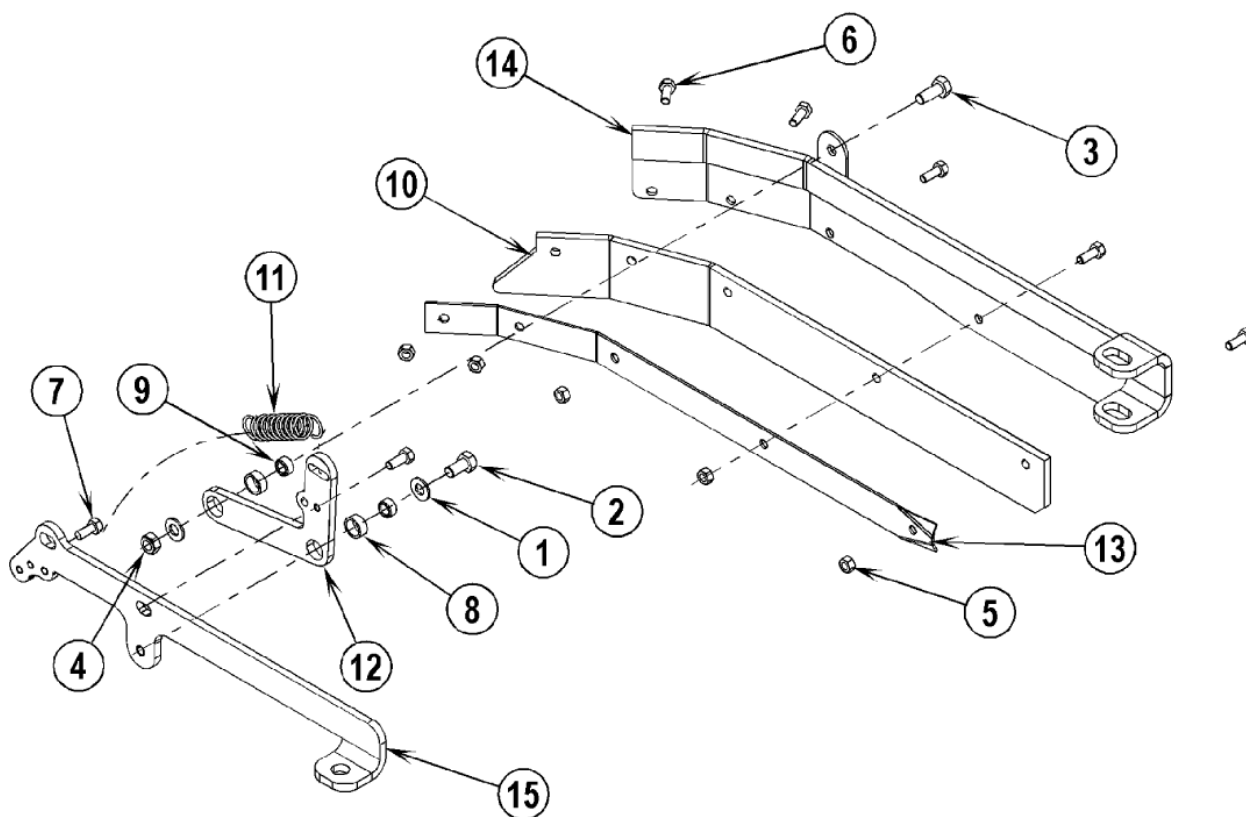
Pos.	Artikel-Nr.	Menge	Variante	Notes
01	56002959	2	Splint zu BA 500	
02	56366455	3	Platte zu BR 1000	
03	56393303	1	Antrieb	[1]
03	56388520	1	Spindelmutter	[2]
04	56383238	6	BRUSH DRIVE DISC	
05	56380149	1	Rändelschraube	
06	56601578	4	Drehknopf	
07	56412071	1	Druckfeder	
08	56412262	1	Federgehäuse BA750/850	
09	56420018	1	Springfeder unten BR 700C	
0A	56315720	1	Seitenschürzen-Set, rot	[3]
0A	56314846	1	Spritz Gummi-Set, rot	[4]
0A	56390927	1	BLADE KIT-DISK PU 35	[5]
0B	56314848	1	Spritz Gummi-Set, rot	[4]
0B	56390953	1	BLADE KIT-DISK PU 38	[6]
0B	56315720	1	Seitenschürzen-Set, rot	[3]
10	56420019	1	Mutter arretierung	
11	56420020	1	Mutter arretierung	
12	56002020	4	SCR PAN PHIL 10 24 X 1.75	
13	56002220	6	WSH FLT CUT 5/16	
14	56002768	4	1/4-20 NYLOC NUT	
15	56002938	18	WSH FLT SAE SS 5/16	
16	56003211	24	Schraube HEX HDSS	
17	56003246	3	Keil 25 x 1,62	
18	56003263	21	"Nylonstift 0.25""	
19	56003335	6	Schraube HEX	
20	56003405	9	Stopmutter M8 Inox	
21	56003426	13	Stoppmutter M6 Inox	
22	56003431	9	Schraube M6 x 16	
23	56003443	4	Schraube PAN M6-1,00x20	[7]
24	56003477	9	Schraube M 8-1.25x25	
25	56003639	9	Schraube HEX SSM8-1,25x30	
26	56003657	4	Mutter M12-1.75	
27	56003658	4	Schraube	
28	56003671	2	Bolzen 0.5x1.25	
29	56009019	2	Schraube 1/4-20x.38	
30	56009030	13	Schraube 10-2	
31	56009126	4	Schraube 1/4-20 x75	
32	56009086	4	NUT, HEX JAM 5/16-18	
33	56009096	3	Scheibe zu BR 1000	
34	56391771	3	HOSE E00603	
35	56261421	1	Plug Pipe (SH460)	
36	56302015	1	HOSE PVC 4.0 E00603	
37	56304601	2	Platte	
38	56314030	3	Bürstenhalter BA 650	
39	56314108	3	Bürstenflansch BR 1300/S	
40	56316679	2	SKIRT BRKT-FORWARD	[8]
41	56314294	1	Bolzen 0.375x3.0	
42	56314310	1	Kupplung	[9]
43	56314359	3	Keil 6mm	
44	56314499	3	Deckel f. Getriebe	
45	56316682	1	WELDT-DISK DECK 35-38	
46	56314687	3	Welle	
48	56314785	1	Getriebe	[10]
48	56314786	1	Kohlebürstenkit	[11]
48	56314789	3	Bürstenantriebsmotor	[12]
48	56314784	1	Bürstenmotor 36V 450W	[2]
49	56314790	1	Verteiler	
50		1	See Disk blade Kits pos. A and B	[13]

Pos.	Artikel-Nr.	Menge	Variante	Notes
51	56314820	1	Seitenschürze kpl. rechts	[14]
52	56314821	1	Seitenschürze, links	[14]
53	56316683	3	BRACKET-MOTOR	
54	56316684	2	BRACKET-MOTOR GUARD	
55	56373456	1	ANSCHLUSS 1/2X1/4 BR SP	
56	56385564	4	Klemme	
57	56397081	3	Federhalter BA 650	
58	56401783	2	Anschlagschraube BR 700S	
59	56409462	1	Schlauch 0.50x12.0	
60	56478246	3	CABLE TIE E00549 RE438BA	
61	56900034	4	Adapter	

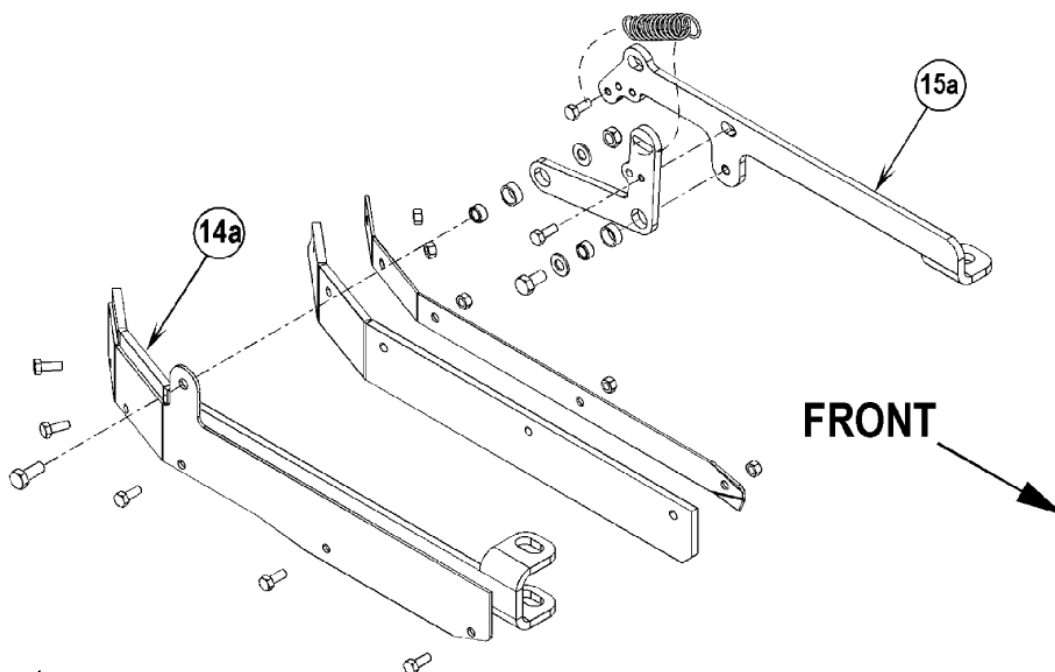
## Part Notes:

- [1] - M1
- [2] - Not shown
- [3] - These Disk Deck Blade Kits include just the blades for use in the two Skirt Assemblies.
- [4] - These Disk Deck Blade Kits include the mounting fasteners (Rivet, Nylon Tree Push-In 56003263 item 18), the two blades (items 47 50) and two blades for use in Skirt assemblies (items 51 52).
- [5] - GUARANTEE DATE EXPIRED  
  
These Disk Deck Blade Kits include the mounting fasteners (Rivet, Nylon Tree Push-In 56003263 item 18), the two blades (items 47 50) and two blades for use in Skirt assemblies (items 51 52).
- [6] - EXPIRED NO REPLACEMENT  
  
These Disk Deck Blade Kits include the mounting fasteners (Rivet, Nylon Tree Push-In 56003263 item 18), the two blades (items 47 50) and two blades for use in Skirt assemblies (items 51 52).
- [7] - BR1050S
- [8] - BR 1050S
- [9] - only before TSBUS2005-888
- [10] - Not shown
- [11] - 1 kit per motor - not shown
- [12] - M7, M8, M10
- [13] - See Disk blade Kits pos. A and B
- [14] - See "SKIRT ASSEMBLIES-DISK (BR 950S, 1050S)".

**56314648-LEFT SKIRT ASSEMBLY**



**56314649-RIGHT SKIRT ASSEMBLY**



Resource notes:

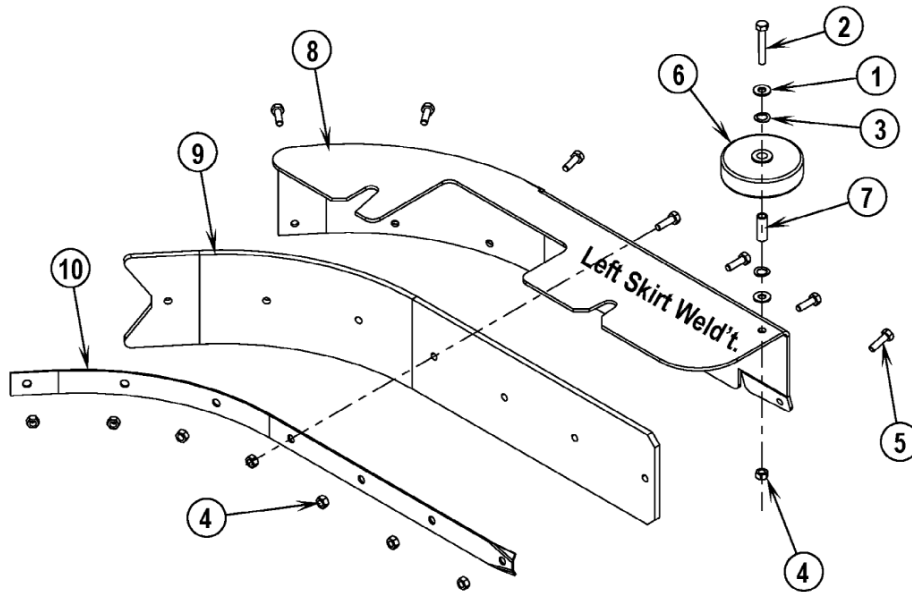
NOTE: All quantities are for one skirt assembly only, there are two skirt assemblies on the machine. NOTE 2: For use on BR 950S and BR 1050S decks. Deck Blade Kits include two (item 10) Blades and two Deck Blades (item 58) in "Scrub System-Cylindrical (BR 950S, BR 1050S)".

Pos.	Artikel-Nr.	Menge	Variante	Notes
	56314648	1	Seitenschürze, links	
	56314649	1	Seitenschürze, rechts	
01	56001939	2	Flachdichtung 5/16	
02	56003178	1	Schraube HEX THD TO HD	
03	56003179	1	Schraube HEX THD/HD M8-1,	
04	56003389	1	MutterHEX NYL LOC M8-1.25	
05	56003426	5	Stopfmutter M6 Inox	
06	56003431	6	Schraube M6 x 16	
07	56003441	1	Schraube HEX NYL LOC M6-1	
08	56185263	2	BEARING SLEAVE E00202	
09	56320595	2	BUECHSE	
10	56407447	1	Spritz Gummi	[1]
10	56314860	1	Spritz Gummi-Set, rot	[2]
10	56390983	1	Seitenschürze PU	[1]
10	56410335	1	Seitengummi	
10	56390991	1	Gummileisten-Set, zyl., PU	[3]
11	56470672	1	Feder	
12	56316643	1	ARM-MOUNT	
13	56316644	1	RETAINER-SKIRT	
14	56314439	1	Halterung f.Seitenschürze	[4]
14A	56316646	1	SKIRT BRACKET WELDT-RIGHT	
15	56316647	1	BRACKET-LEFT MNT	
15A	56316648	1	BRACKET-RIGHT MNT	

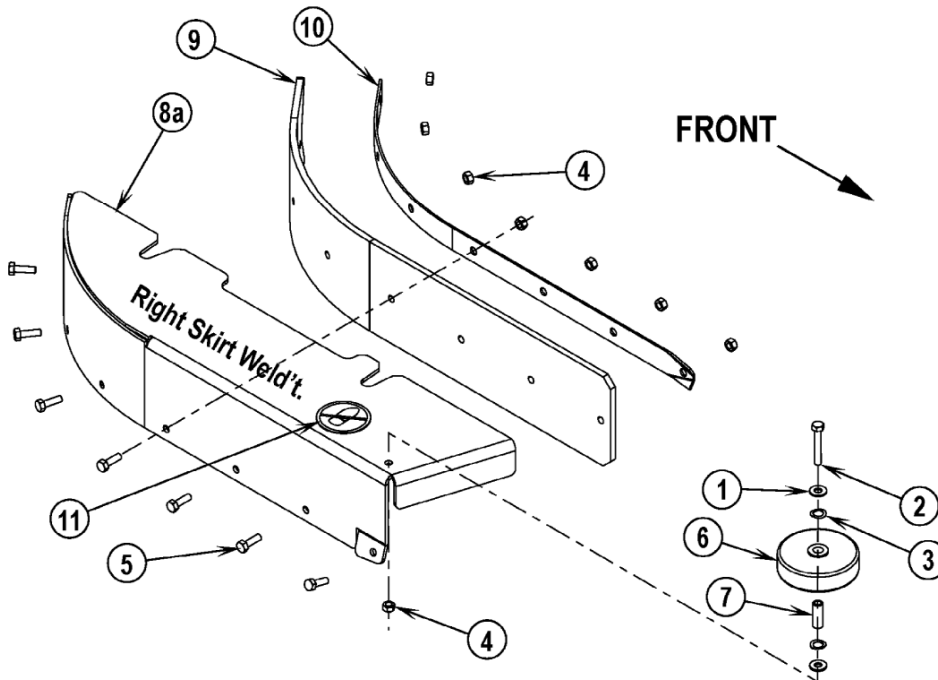
## Part Notes:

- [1] - Optional
- [2] - NOTE 2 - Optional
- [3] - NOTE 2 - Optional  
EXPIRED ON 9/2/2021
- [4] - EXPIRED USE 56316645

56314645-LEFT SKIRT ASSEMBLY



56314647-RIGHT SKIRT ASSEMBLY



Resource notes:

NOTE 1: All quantities are for one skirt assembly only, there are two skirt assemblies on the machine. NOTE 2: These Disk Deck Blade Kits include the mounting fasteners (Rivet, Nylon Tree Push-In 56003263), two skirt blades (item 9) and the two deck blades (forward & rear). NOTE 3: These Disk Deck Blade Kits include just the blades for use in the two Skirt Assemblies. Pos. A: 850S Disk Deck Blade Kits

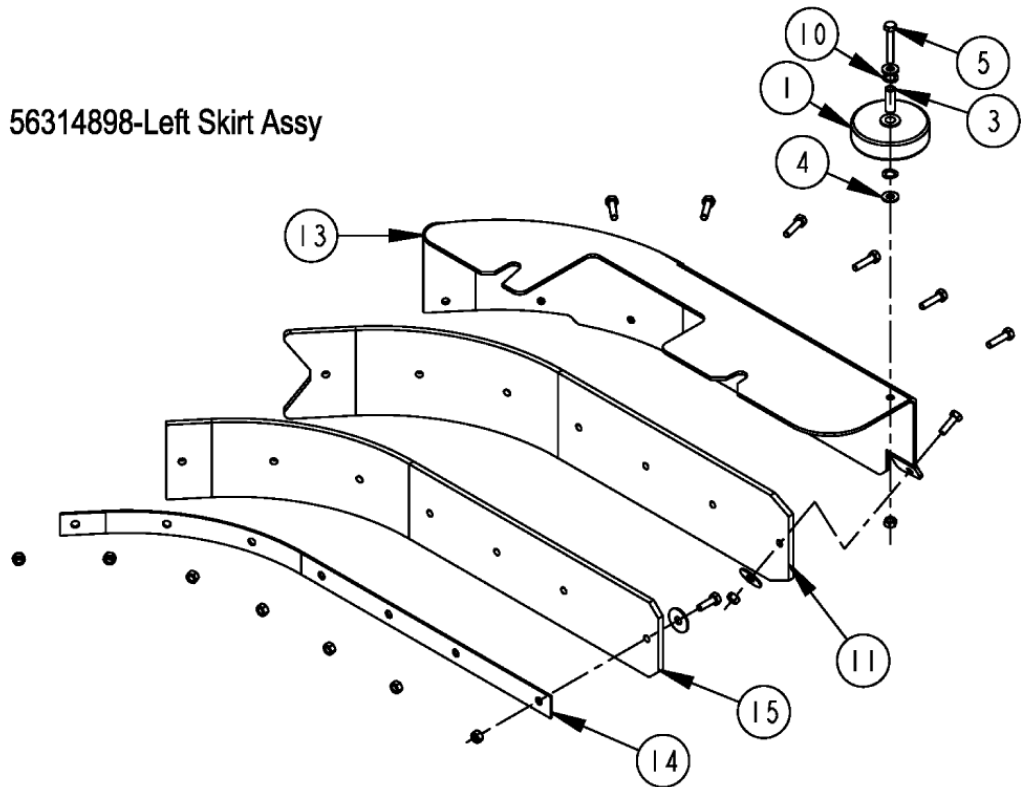


Pos.	Artikel-Nr.	Menge	Variante	Notes
00		1	Left Skirt Assembly TSBUS2004-884 - Not available	[1]
00		1	Right Skirt Assembly TSBUS2004-884 - Not available	[2]
01	56002098	2	Scheibe SAE 1/4	[3]
02	56003167	1	Sechskantschraube M6x40	[3]
03	56009045	2	WASHER, BOWED	[3]
04	56003426	8	Stopfmutter M6 Inox	[4]
05	56003454	7	Schraube HEX ZHD TO HD	
06	56324499	1	Rad 4,00 x 0,781	[3]
07	56471220	1	Distanzscheibe	[3]
08		1	Frame, Skirt LH TSBUS2004-884	[5]
08A	56314888	1	Gehäuse f. Seitenschürze	[6]
09		1	See Disk Deck Blade Kits pos. A	[7]
0A	56314398	1	Gummileisten-Set	[8]
0A	56315724	1	BLADE KIT-DISC GUM SIDE	[9]
0A	56314127	1	Seitenschürze 32", 813 mm	[10]
0A	56315723	1	Seitenschürzen-Set, Gummi, rot	[9]
0A	56314173	1	Seitenschürzenkit, ölfest	[11]
10	56314341	1	Schiene f. Seitengummi	
11	56016163	1	Aufkleber no-Step	[12]

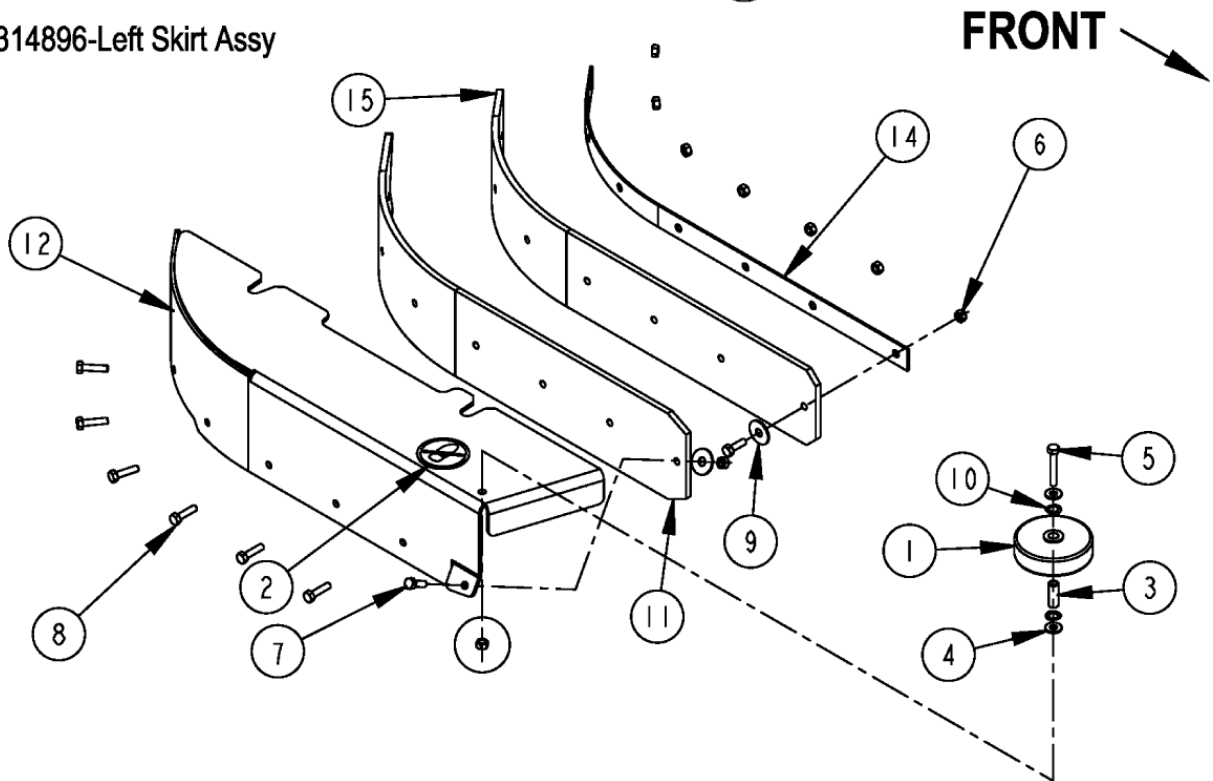
## Part Notes:

- [1] - Left Skirt Assembly TSBUS2004-884 - Not available TSB US 2004-884. Improved Side Skirt Assemblies
- [2] - Right Skirt Assembly TSBUS2004-884 - Not available
- [3] - NOTE 1
- [4] - qty of 7 on 56314646
- [5] - Frame, Skirt LH TSBUS2004-884
- [6] - Frame, Skirt RH TSBUS2004-884  
EXPIRED USE 56316649
- [7] - See Disk Deck Blade Kits pos. A
- [8] - NOTE 2
- [9] - NOTE 3
- [10] - NOTE 2  
GUARANTEE DATE EXPIRED
- [11] - NOTE 2  
EXPIRED ON 10/3/2011
- [12] - Right skirt assembly only

56314898-Left Skirt Assy



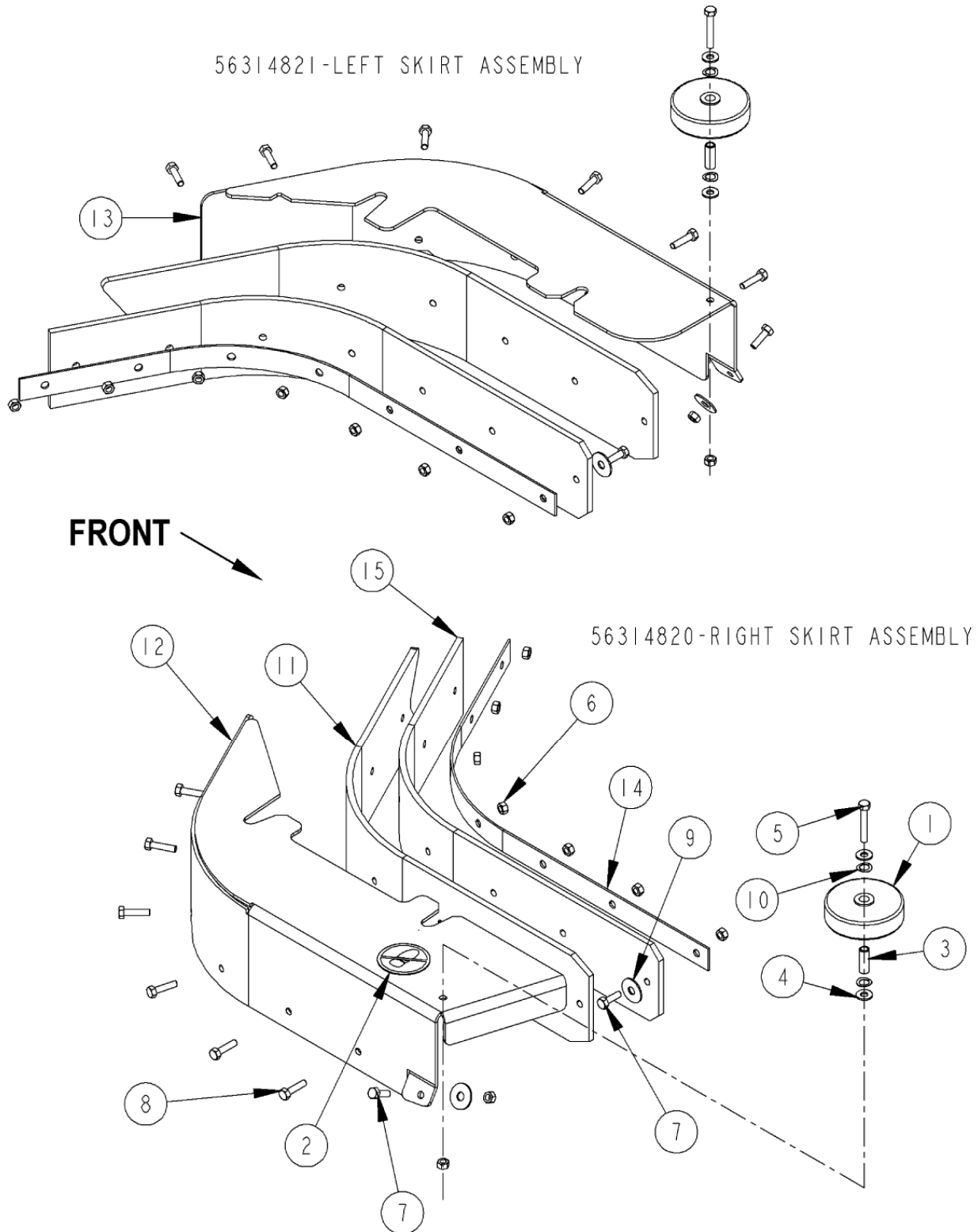
56314896-Left Skirt Assy



Pos.	Artikel-Nr.	Menge	Variante	Notes
00	56314898	1	Seitenschürze, links	
00	56314896	1	Seitenschürzen-Kit, recht	
1	56324499	1	Rad 4,00 x 0,781	
2	56016163	1	Aufkleber no-Step	[1]
3	56471220	1	Distanzscheibe	
4	56002098	2	Scheibe SAE 1/4	
5	56003167	1	Sechskantschraube M6x40	
6	56003426	9	Stopfmutter M6 Innox	
7	56003454	2	Schraube HEX ZHD TO HD	
8	56003693	6	Niete, Nylon	
9	56003696	2	Unterlegscheibe	
0A	56314918	1	Spritz Gummi-Set	[2]
0A	56315721	1	Seitenschürzen-Set, rot	[3]
0A	56315722	1	Seitenschürzen-Set, Gummi	[3]
0A	56314914	1	Seitenschürzen-Set	[2]
10	56009045	2	WASHER, BOWED	
11		1	See Disk Deck Blade Kits Pos. A	[4]
12	56316649	1	FRAME-SKIRT RH	
13	56316650	1	FRAME-SKIRT LH	
14	56316651	1	RETAINER-BLADE	
15		1	See Disk Deck Blade Kits Pos. A	[4]

## Part Notes:

- [1] - Right skirt assembly only
- [2] - These Disk Deck Blade Kits include just the blades for use in the two Skirt Assemblies.
- [3] - BR 850S Disk Deck Blade Kits
- [4] - See Disk Deck Blade Kits Pos. A



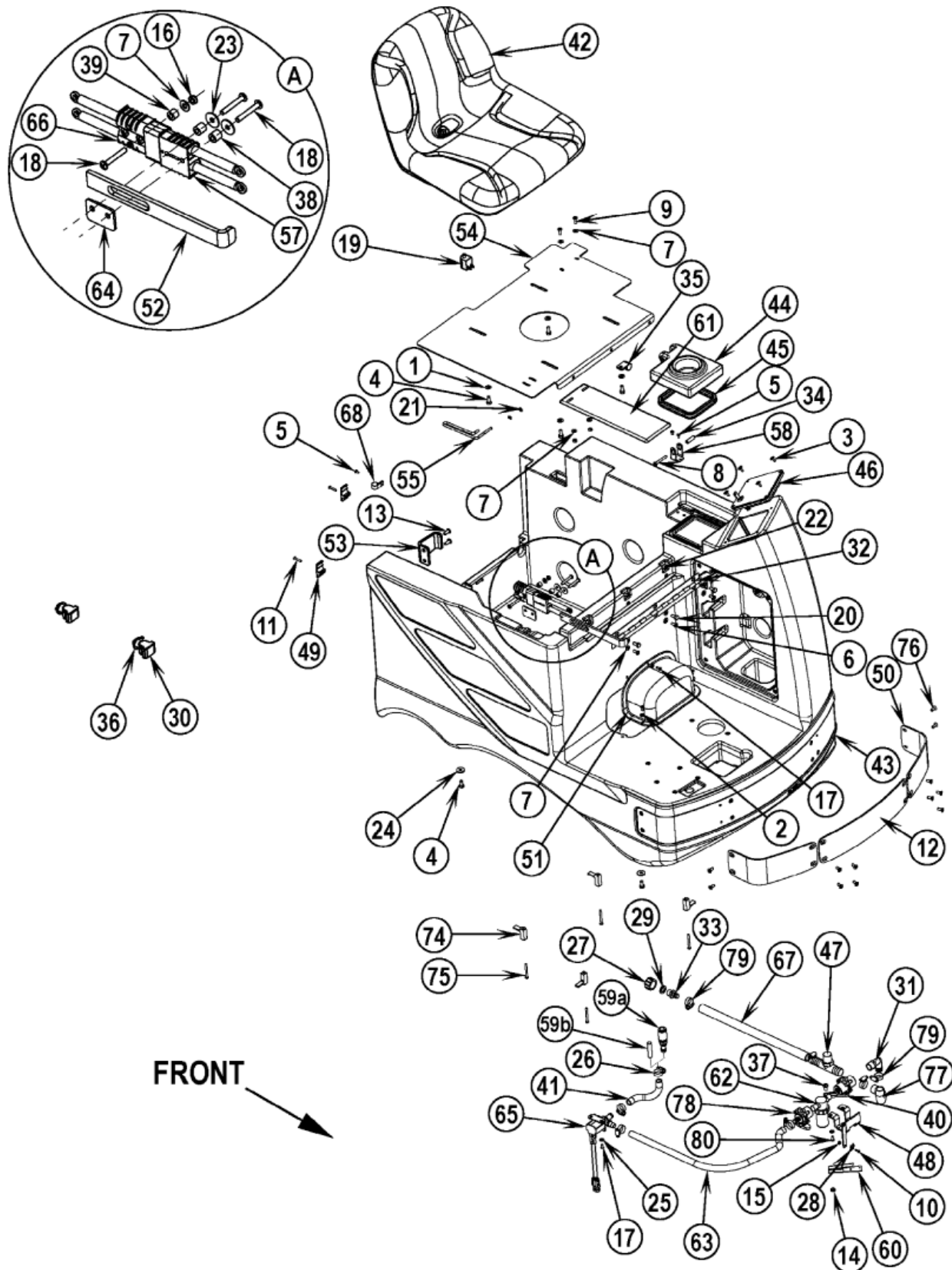
Resource notes:

NOTE 1: These Disk Deck Blade Kits include the mounting fasteners (Rivet, Nylon Tree Push-In 56003263), four skirt blades (items 11 & 15) and the two deck blades (front & rear). NOTE 2: All quantities are for one skirt assembly only, there are two skirt assemblies on the machine. NOTE 3: These Disk Deck Blade Kits include just the blades for use in the two Skirt Assemblies. Pos. A: 950S Disk Deck Blade Kit Pos. B: 1050S Disk Deck Blade Kits

Pos.	Artikel-Nr.	Menge	Variante	Notes
00	56314821	1	Seitenschürze, links	
00	56314820	1	Seitenschürze kpl. rechts	
01	56324499	1	Rad 4,00 x 0,781	
02	56016163	1	Aufkleber no-Step	[1]
03	56471220	1	Distanzscheibe	
04	56002098	2	Scheibe SAE 1/4	
05	56003167	1	Sechskantschraube M6x40	
06	56003426	9	Stopfmutter M6 Innox	
07	56003454	2	Schraube HEX ZHD TO HD	
08	56003693	6	Niete, Nylon	
09	56003696	2	Unterlegscheibe	
0A	56314846	1	Spritz Gummi-Set, rot	[2]
0A	56315720	1	Seitenschürzen-Set, rot	[3]
0A	56390927	1	BLADE KIT-DISK PU 35	[4]
0B	56314848	1	Spritz Gummi-Set, rot	[2]
0B	56315720	1	Seitenschürzen-Set, rot	[3]
0B	56390953	1	BLADE KIT-DISK PU 38	[5]
10	56009045	2	WASHER, BOWED	
11		1	See Disk Deck Blade Kits pos. A and B	[6]
12	56316652	1	FRAME-SKIRT RH	
13	56316653	1	FRAME-SKIRT LH	
14	56316654	1	RETAINER-BLADE	
15		1	See Disk Deck Blade Kits pos. A and B	[6]

## Part Notes:

- [1] - Right Skirt Assembly only
- [2] - NOTE 1
- [3] - NOTE 3
- [4] - NOTE 1  
GUARANTEE DATE EXPIRED
- [5] - NOTE 1  
EXPIRED NO REPLACEMENT
- [6] - See Disk Deck Blade Kits pos. A and B



Resource notes:

NOTE 1: Battery cables are not included, but "Battery Connector Kit" (56314326) can be ordered separately if battery connectors are desired. NOTE 2: Used on machines built before TSBUS2005-896. NOTE 3: Used on machines built after TSBUS2005-896. NOTE 4: Seat 56314035 is obsolete and replaced by 8-69-00022 in production. Order Seat kit 56109292 to replace in the field. TSB US 2005-896. Solution Tank replacement. PN-56042438+56042439+56042446

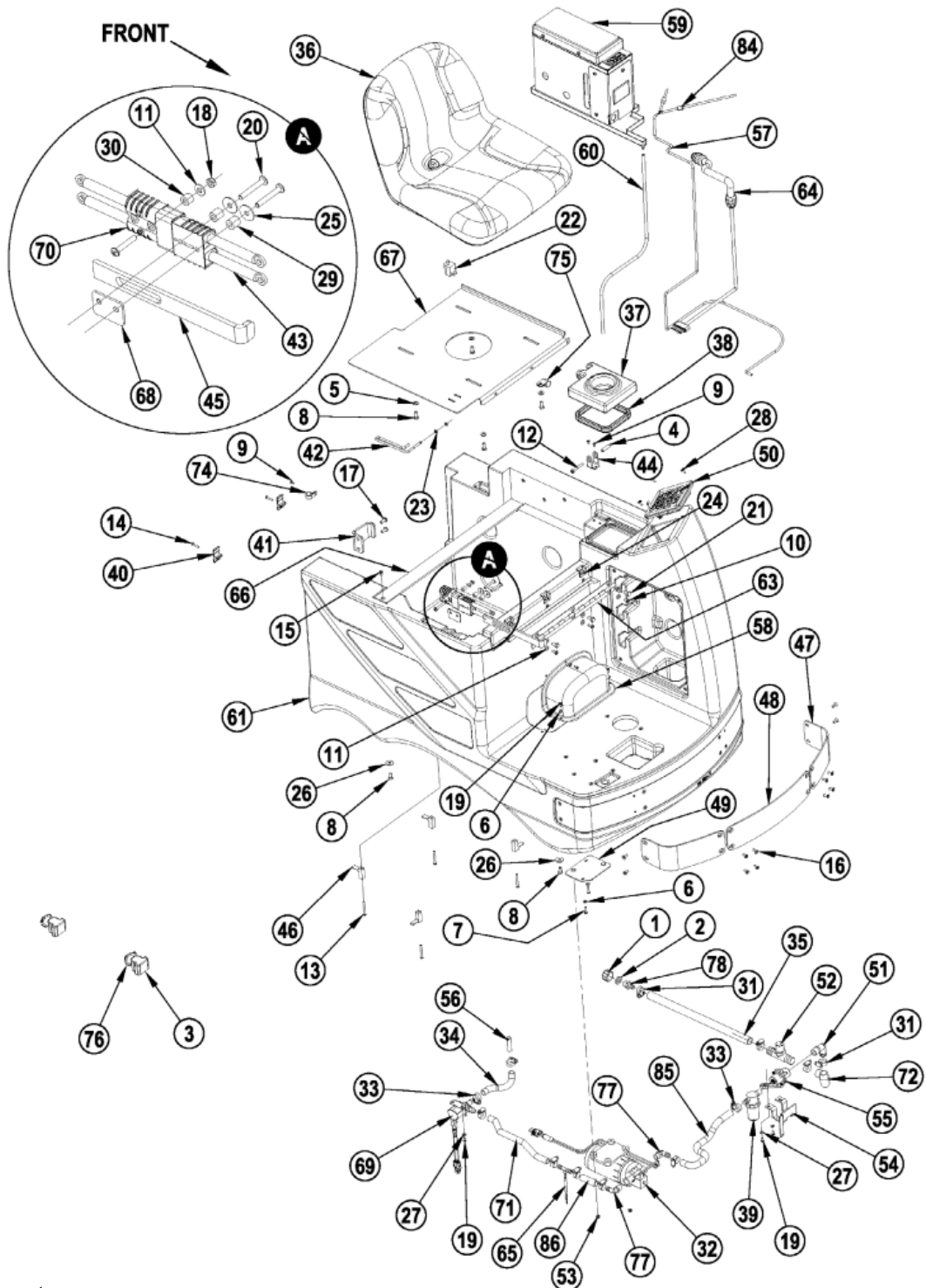
Pos.	Artikel-Nr.	Menge	Variante	Notes
01	56001939	4	Flachdichtung 5/16	
02	56001954	3	WSH FLT SAE 10	
03	56009206	4	Schraube TRUSS PHIL BLK	
04	56002035	4	002721X HD 5/16-18X.62	
05	56002043	3	Schraube 10-24 x 38	
06	56002066	3	Schraube	
07	56002098	11	Scheibe SAE 1/4	
08	56002108	1	Schraube PAN HD PHIL 1/4-	
09	56002507	2	SCR PAN PHIL 1/4-20 X .75	
10	56002589	1	SCR HEX WSH HD 6-32 X .50	
11	56002674	5	SCR PAN HD PHIL 10-24X1.0	
12	56314642	1	Anfahrerschutz	[1]
13	56002793	2	Schraube PAN PHIL 5/16-18	
14	56002826	1	NUT HEX NYLOC THIN 5/16-1	
15	56002830	1	NUT HEX NYL LOC 6-32	
16	56002840	3	Nut 1/4 20	
17	56002900	5	Schraube PAN PHIL 10-25x.	
18	56002108	3	Schraube PAN HD PHIL 1/4-	
19	7-82-00050	4	Sitzschalter BR 1300 S	[2]
20	56003178	3	Schraube HEX THD TO HD	
21	56003268	2	Ring	
22	56003389	3	MutterHEX NYL LOC M8-1.25	
23	56009002	2	UNTERLEGSSCHEIBE, FLACH	
24	56009122	4	Unterlegscheibe	
25	56009205	4	U-Scheibe	
26	56219932	4	Briede	
27	56255076	1	Frischwasserverschlusszu BA 530	
28	56344265	1	Kabelklammer	
29	56368776	1	Dichtung Frischwasser-verschluss zu BA 5	
30	56372673	2	BOOT, BATTERY POST	[3]
31	56314757	1	Gelenkverschraubung	
32	56412196	1	Scharnierband / Hinge	[4]
32	56314973	1	Scharnier	[5]
33	56900273	1	Schlauchnippel BA 800	
34	56468553	1	Buchse	
35	56469380	1	Kabelklammer	
36	56478246	2	CABLE TIE E00549 RE438BA	
37	56003003	1	Schraube 5/16	
38	56046309	2	U-Scheibe	
39	56050872	1	Abstandshalter	
40	56314899	1	Wasserhahn zu BA550/650	
41	56262180	1	SPIRALSCHLAUCH 50X7	
42	8-69-00022	1	Sitz	[6]
43	56390853	1	Frischwassertank	[5]
44	56314066	1	Deckel, Klein, f. Tank	
45	56314069	1	Dichtung f. Deckel	
46	56314713	1	Armaturen Brett BR 600 S	[7]
46	56396189	1	Ersatzschlüsselzu 56396188	[8]
46	56396188	1	Schlüsselschalter	[8]
46	56390780	1	Bedienfeld, elektronisch	
47	56314758	1	Schlauch T-Stück 1/2-14	
48	56314882	1	Halter für Wasserventil	[9]
49	56314155	5	Kabelklemme	
50	56314638	2	Stoßstange vordere Ecke	[10]
51	56314975	1	Abdeckhaube BR 800S	[11]
52	56314292	1	BAR DISCONNECT	
53	56316526	1	Halterung f. Tank	
54	56314988	1	Grundplatte f. Sitz	[12]
54	56314624	1	WELDMENT SEAT MOUNT	[13]

Pos.	Artikel-Nr.	Menge	Variante	Notes
55	56314223	1	Haubengestänge BR 700 S	
56	56314972	1	HARNESS MAIN	[14]
57	56314253	1	Kabelkit	
58	56314264	1	Halter f. Deckel	
59A	56314311	1	Schnellverschluß	[15]
59B	56314904	1	Schlauch	[16]
60	56314881	1	Klammer f. Ventil	[9]
61	56314532	1	Batterieabdeckung	
62	56314756	1	Frischwasser Filter	
63	56386182	1	Spiralschlauch zu BA 800	
64	56316663	1	SPACER	
65	56397215	1	MagnetventilBA 755/855	
66	56397508	1	Steckverbinder	
67	56263218	1	Schlauch	
68	56442003	1	Kabelklammer	
74	56314608	4	CLAMP CABLE	
75	56002171	4	Schraube 10-24	
76	56002760	12	Schraube 1/4 20 x 62	
77	56410162	1	Schlauch 7, Spirale	
78	56314755	1	Wasserhahn BR 950 S	
79	56112771	4	CLAMP HOSE SAE 10	
80	56001993	2	SCR PAN HD PHIL 10-24X.50	

## Part Notes:

- [1] - EXPIRED USE 56316655
- [2] - S2
- [3] - NOTE 1
- [4] - NOTE 2  
EXPIRED ON 04/01/2014
- [5] - NOTE 3
- [6] - NOTE 4  
SEE TSB-FC-2015-040
- [7] - TSBUS2006-932 - Not shown TSB US 2006-932. Control panel membrane switch replacement
- [8] - Not shown
- [9] - after TSBUS2004-874
- [10] - EXPIRED USE 56316656
- [11] - NOTE 3 and 3
- [12] - NOTE 3  
EXPIRED USE 56316666
- [13] - NOTE 2  
GUARANTEE DATE EXPIRED
- [14] - Not shown  
NO LONGER AVAILABLE
- [15] - Before TSBUS2005-888
- [16] - After TSBUS2005-888





Resource notes:

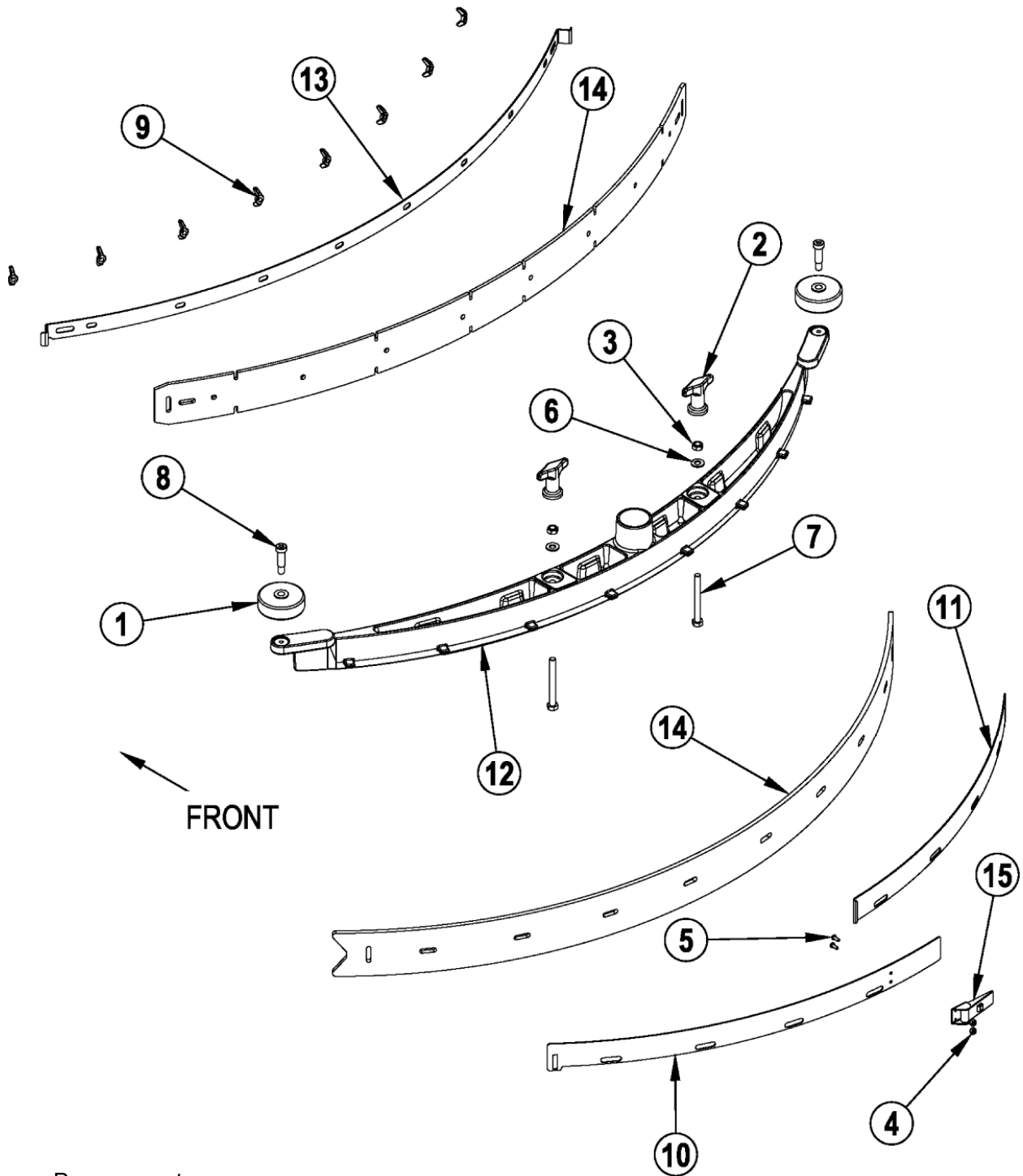
NOTE 1: Seat 56314035 is obsolete and replaced by 8-69-00022 in production. Order Seat kit 56109292 to replace in the field. NOTE 2: Battery cables are not included, but "Battery Connector Kit" (56314326) can be ordered separately if battery connectors are desired.

Pos.	Artikel-Nr.	Menge	Variante	Notes
01	56255076	1	Frischwasserverschlusszu BA 530	
02	56368776	1	Dichtung Frischwasser-verschluss zu BA 5	
03	56372673	2	BOOT, BATTERY POST	[1]
04	56468553	1	Buchse	
05	56001939	4	Flachdichtung 5/16	
06	56001954	5	WSH FLT SAE 10	
07	56002674	2	SCR PAN HD PHIL 10-24X1.0	
08	56002035	4	002721X HD 5/16-18X.62	
09	56002043	3	Schraube 10-24 x 38	
10	56002066	3	Schraube	
11	56002098	7	Scheibe SAE 1/4	
12	56002108	1	Schraube PAN HD PHIL 1/4-	
13	56002171	4	Schraube 10-24	
14	56002674	5	SCR PAN HD PHIL 10-24X1.0	
15	56002711	1	SCHRQAUBE 1/4-20X3/4KONISCH	
16	56002711	12	SCHRQAUBE 1/4-20X3/4KONISCH	
17	56002793	2	Schraube PAN PHIL 5/16-18	
18	56002840	1	Nut 1/4 20	
19	56002900	7	Schraube PAN PHIL 10-25x.	
20	56002108	3	Schraube PAN HD PHIL 1/4-	
21	56003178	3	Schraube HEX THD TO HD	
22	7-82-00050	4	Sitzschalter BR 1300 S	[2]
23	56003268	2	Ring	
24	56003389	3	MutterHEX NYL LOC M8-1.25	
25	56009002	2	UNTERLEGSCHLEIBE, FLACH	
26	56009122	4	Unterlegscheibe	
27	56009205	4	U-Scheibe	
28	56009206	4	Schraube TRUSS PHIL BLK	
29	56046309	2	U-Scheibe	
30	56050872	1	Abstandshalter	
31	56112771	4	CLAMP HOSE SAE 10	
32	56212014	1	Pumpe 36 V BR 600-800	
32	56109588	1	Absperrventil	[3]
32	56109587	1	PUMP HEAD ASSY	[3]
33	56219932	8	Briede	
34	56262180	3	SPIRALSCHLAUCH 50X7	
35	56263218	1	Schlauch	
36	8-69-00022	1	Sitz	[4]
37	56314066	1	Deckel, Klein, f. Tank	
38	56314069	1	Dichtung f. Deckel	
39	56314147	1	Abscheider	
40	56314155	5	Kabelklemme	
41	56316526	1	Halterung f. Tank	
42	56314223	1	Haubengestänge BR 700 S	
43	56314253	1	Kabelkit	
44	56314264	1	Halter f. Deckel	
45	56314292	1	BAR DISCONNECT	
46	56314608	4	CLAMP CABLE	
47	56314638	2	Stoßstange vordere Ecke	[5]
48	56314642	1	Anfahrerschutz	[6]
49	56314644	1	ADAPTER PLATE	
50	56314713	1	Armaturen Brett BR 600 S	[7]
50	56390780	1	Bedienfeld, elektronisch	
50	56396189	1	Ersatzschlüsselzu 56396188	[3]
50	56396188	1	Schlüsselschalter	[3]
51	56314757	1	Gelenkverschraubung	
52	56314758	1	Schlauch T-Stück 1/2-14	
53	56002768	2	1/4-20 NYLOC NUT	
53	56314787	1	HARNESS CABLE	[3]

Pos.	Artikel-Nr.	Menge	Variante	Notes
54	56314881	1	Klammer f. Ventil	
55	56314899	1	Wasserhahn zu BA550/650	
56	56314904	1	Schlauch	
57	56314863	1	HOSE CHEM RESISTANT	
58	56314960	1	Abdeckhaube BR 800 S EDS	
59	56316537	1	EDS-Dosiersystem	[8]
60	56314965	1	PVC-Schlauch	
61	56390853	1	Frischwassertank	
62	56314972	1	HARNESS MAIN	[9]
63	56314973	1	Scharnier	
64	56314980	1	Kabelbaum	
65	56314983	1	T-Stück	
66	56314985	1	Halterung f. Sitz	
67	56316662	1	WELDT-SEAT MOUNT AXP	
68	56316663	1	SPACER	
69	56397215	1	MagnetventilBA 755/855	
70	56397508	1	Steckverbinder	
71	56409462	1	Schlauch 0.50x12.0	
72	56410162	1	Schlauch 7, Spirale	
74	56442003	1	Kabelklammer	
75	56469380	1	Kabelklammer	
76	56478246	2	CABLE TIE E00549 RE438BA	
77	56109566	2	BARB 90 ELBOW 1/2 X 3/8 NPT	
78	56900273	1	Schlauchnippel BA 800	
84	56316209	1	Absperrventil	[10]
85	56264318	1	SCHLAUCH	
86	56111385	1	Spiralschlauch 50 x 2.50	

## Part Notes:

- [1] - NOTE 2
- [2] - S2
- [3] - Not shown
- [4] - NOTE 1  
SEE TSB-FC-2015-040
- [5] - EXPIRED USE 56316656
- [6] - EXPIRED USE 56316655
- [7] - TSBUS2006-932 - not shown
- [8] - TSBUS2006-922 - see detergent injection system
- [9] - NO LONGER AVAILABLE
- [10] - TSBUS2006-937



Resource notes:

NOTE 1: Squeegee Blade Kits include both front & rear squeegee blades. NOTE 2: To replace squeegee straps on machines without Latch Support 56109554 (item 16) order one of the three following Strap Kits: 56109586-Strap Kit-E (for Squeegee Assy 56314803) 56109585-Strap Kit-D (for Squeegee Assy 56314697) 56109584-Strap Kit-C (for Squeegee Assy 56314650) These kits include both rear straps, front strap and the latch support. Pos. 50-53: BR 850S Squeegee Blade Kits (BEFORE SN1819567) Pos. 60-61: BR 850S / BR 950S Squeegee Blade Kits Pos. 70-71: BR 1050S Squeegee Blade Kits

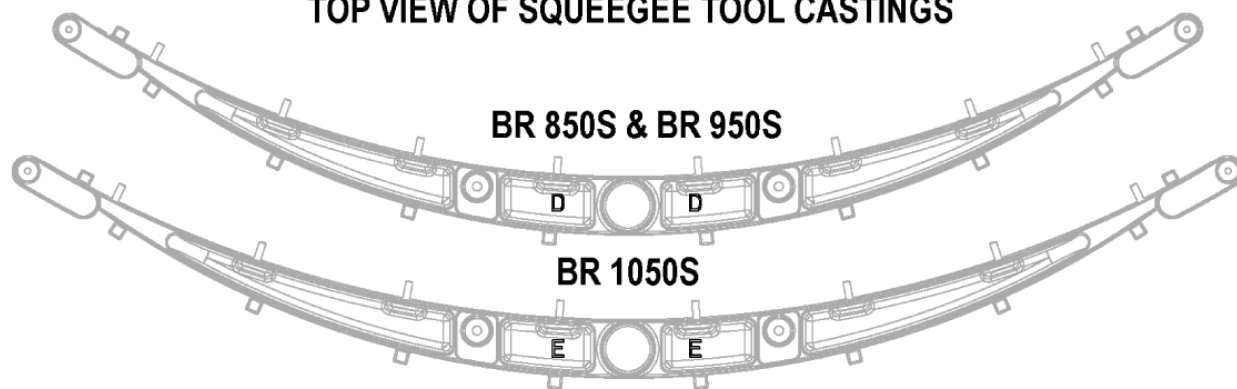
Pos.	Artikel-Nr.	Menge	Variante	Notes
	56314650	1	Absaugleiste kpl. f.	[1]
	56314803	1	Absaugleiste kpl. f.	[2]
	56314697	1	Saugfuss kompl.BR 850/950S	[3]
01	56324350	2	Rad	
02	56370711	2	Mutter	
03	56002851	2	Mutter NYL LOC-THIN SS5/	
04	56002907	2	NUT HEX NYL LOC SS 6-32	
05	56002909	2	SCR PAN PHL SS6-32X38	
06	56002938	2	WSH FLT SAE SS 5/16	
07	56003736	2	Schraube SS 5/16, 18x3.00	
08	56003472	2	Schraube 38x1.00x5/16-18	
09	56009111	8	Flügelmutter 1/4-20	
10	56109664	1	Metallschiene hi, li, C	[4]
10	56109670	1	Befestigung links	[5]
10	56109667	1	Befestigungsschiene, li D	[3]
11	56109668	1	Befestigungsschiene, re D	[6]
11	56109665	1	Metallschiene, rechts	[4]
11	56109671	1	Befestigungs Absaugleiste	[7]
12	56314325	1	Absaugleiste	[8]
12	56314800	1	Absaugleiste	[9]
12	56314694	1	Absaugleiste, Rohteil	[10]
13	56314696	1	Halteschien, vorn D	[6]
13	56314322	1	Halteschiene 32	[4]
13	56314802	1	Metallschiene f.	[2]
14	56314061	1	Absaugleisten-Set, Gummi, rot	[11]
14	56314844	1	Absaugleisten-Set	[12]
14	56314865	1	Absaugleisten-Set, rot	[13]
15	56471194	1	Klemme	
50	56314060	1	Absaugleisten-Set, Gummi	[14]
51	56314061	1	Absaugleisten-Set, Gummi, rot	[14]
52	56315855	1	Absaugleisten-Set PU	[14]
60	56314865	1	Absaugleisten-Set, rot	[14]
61	56315856	1	Absaugleisten-Set PU	[14]
70	56314844	1	Absaugleisten-Set	[14]
71	56315978	1	Absaugleisten-Set, PU	[15]

## Part Notes:

- [1] - (BR 850S BEFORE SN1819567)  
GUARANTEE DATE EXPIRED
- [2] - (BR 1050S) NOTE 2  
EXPIRED NO REPLACEMENT
- [3] - (BR850S, BR 950S) NOTE 2
- [4] - (BR 850S BEFORE SN1819567) NOTE 2
- [5] - (BR 1050S) NOTE 2  
NO LONGER AVAILABLE
- [6] - (BR 850S, BR 950S) NOTE 2
- [7] - (BR 1050S) NOTE 2  
EXPIRED ON 2/11/2021
- [8] - (BR 850S BEFORE SN1819567)
- [9] - (BR 1050S)  
NO LONGER AVAILABLE
- [10] - (BR 850S, BR 950S)
- [11] - (BR 850S BEFORE SN1819567) NOTE 1
- [12] - (BR 1050S) NOTE 1
- [13] - (BR 850S, BR 950S) NOTE 1
- [14] - OPTIONAL, NOT INCLUDED - NOTE 1
- [15] - OPTIONAL, NOT INCLUDED - NOTE 1  
GUARANTEE DATE EXPIRED

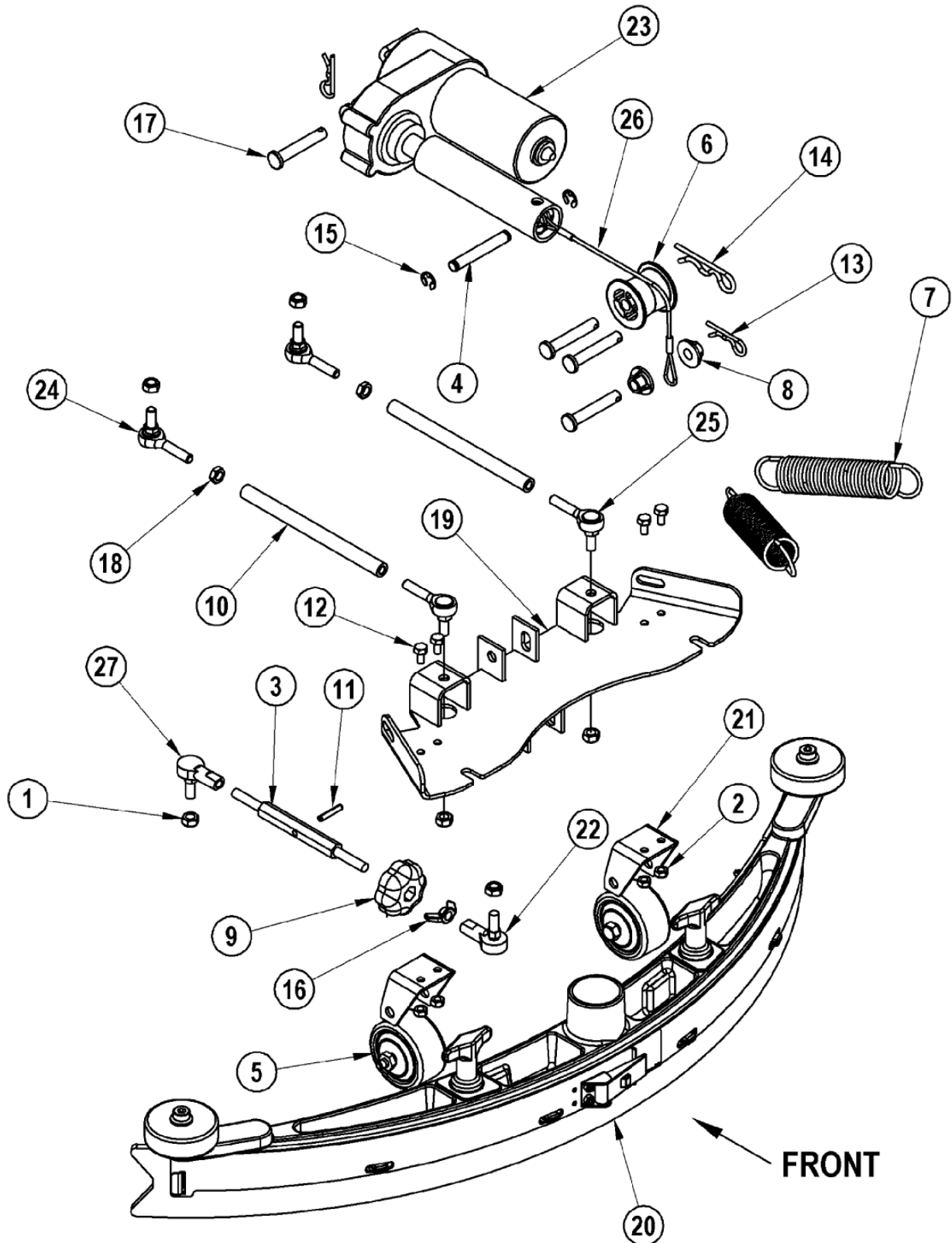
---

**TOP VIEW OF SQUEEGEE TOOL CASTINGS**



---

Pos.	Artikel-Nr.	Menge	Variante	Notes
------	-------------	-------	----------	-------



Resource notes:

NOTE 1: BR 850S models before SN 1819567 used Squeegee Assy 5631465TSB US 2005-891. Change to larger squeegee0. After SN1819567 they use Squeegee Assy 56314697. If replacing squeegee 56314650 with 56314697 on a machine before 1819567 the Squeegee Stop Bracket needs to be set at the "in" position. See TSBUS2005-891.

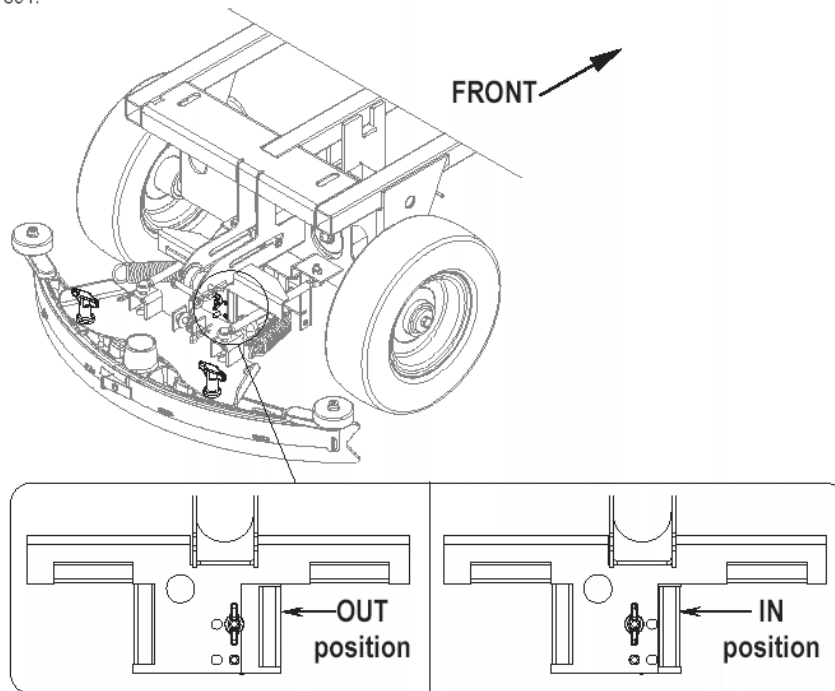


Pos.	Artikel-Nr.	Menge	Variante	Notes
01	56002866	6	Mutter HEX NYL LOC	
02	56003403	4	Mutter M6 x 1.00	
03	56412067	1	Einstellstange zu BR 700C	
04	56412088	1	Bolzen zu BR 700	
05	56412124	2	Stützrolle	
06	56412208	1	Rolle zu BR 700C	
07	56412216	2	Zugfeder	
08	56412248	4	Scheibe	
09	56412284	1	Einstellknopf zu BR 700C	
10	56412314	2	Kurbelstange	
11	56002082	1	Stift BR 700C	
12	56003211	4	Schraube HEX HDSS	
13	56003222	2	"Splint 0.125" x 0.5" ""	
14	56003223	1	"Splint 0.148" x 0.62" ""	
15	56003262	2	Ring	
16	56003497	1	Flügelmutter 5/16-24	
17	56003656	4	"Bolzen 0.375" x 2.25" ""	
18	56001884	2	Mutter 5/16 24	
19	56314023	1	Saugfusshalter BR 800/S	
20	56314697	1	Saugfuss kompl.BR 850/950S	[1]
20	56314803	1	Absaugleiste kpl. f.	[2]
20	56314650	1	Absaugleiste kpl. f.	[3]
21	56314722	2	Halterung Rad	
22	56395755	1	Kugelgelenk BR 800	
23	56397230	1	Hubmotor	[4]
24	56412312	2	Stange 5/16	
25	56412313	2	Stange 5/16 L.H.	
26	56412340	1	Seil für Saugfusszu BR 700	
27	56477756	1	Kugelgelenk BR 800	

## Part Notes:

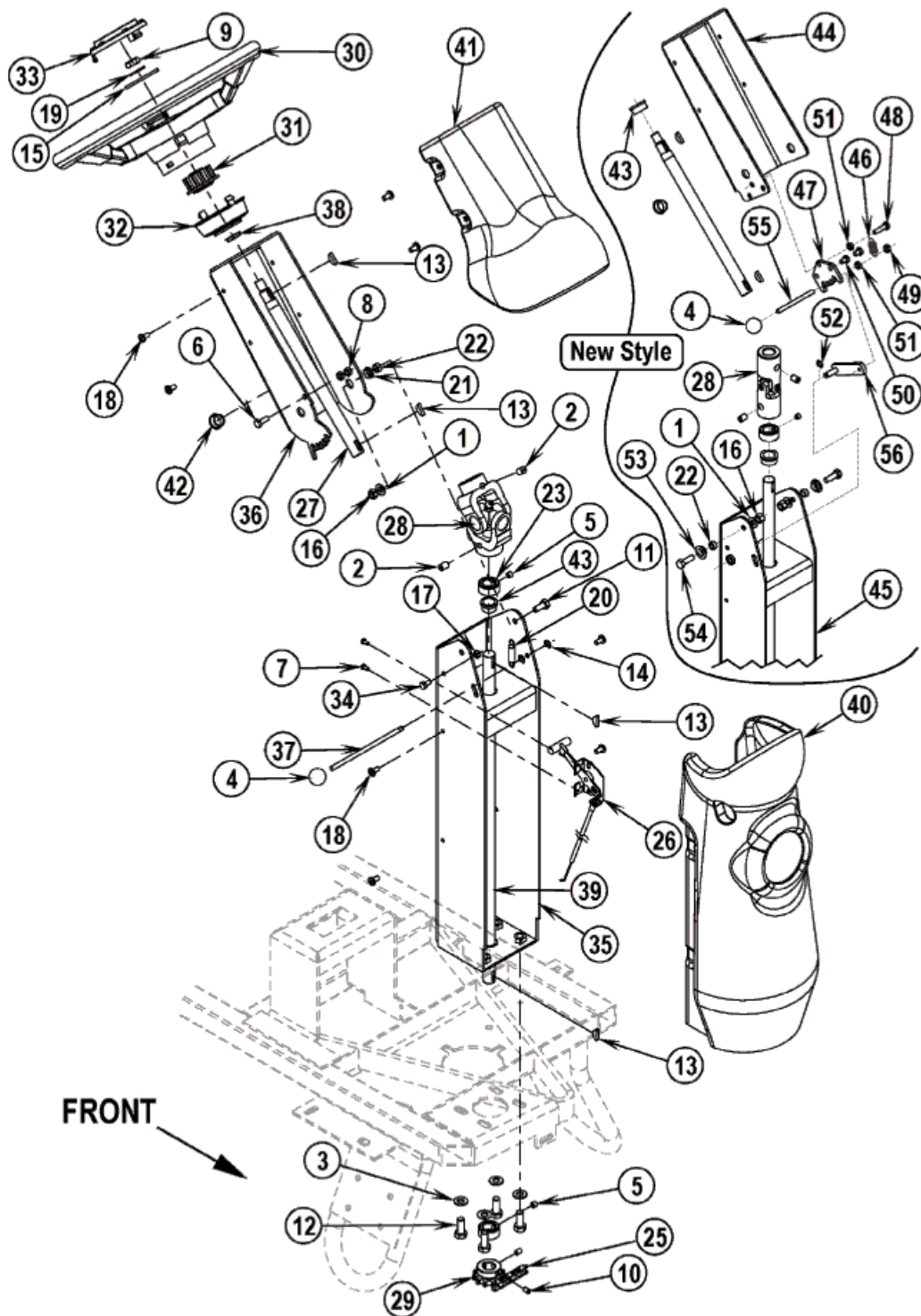
- [1] - (BR 850S / BR 950S) NOTE 1 - NOT SHOWN  
 [2] - (BR 1050S) - NOT SHOWN  
 EXPIRED NO REPLACEMENT  
 [3] - (BR 850S BEFORE SN1819567) NOTE 1  
 GUARANTEE DATE EXPIRED  
 [4] - (M2)

**NOTE 1:** BR 850S & BR 850CS models before SN 1819567 used Squeegee Assy 56314650, after SN use Squeegee Assy 56314697. If replacing squeegee 56314650 with 56314697 on either one of these two models (SN before 1819567) the Squeegee Stop Bracket needs to be set at the "in" position. See TSBUS2005-891.



---

Pos.	Artikel-Nr.	Menge	Variante	Notes
------	-------------	-------	----------	-------



Resource notes:

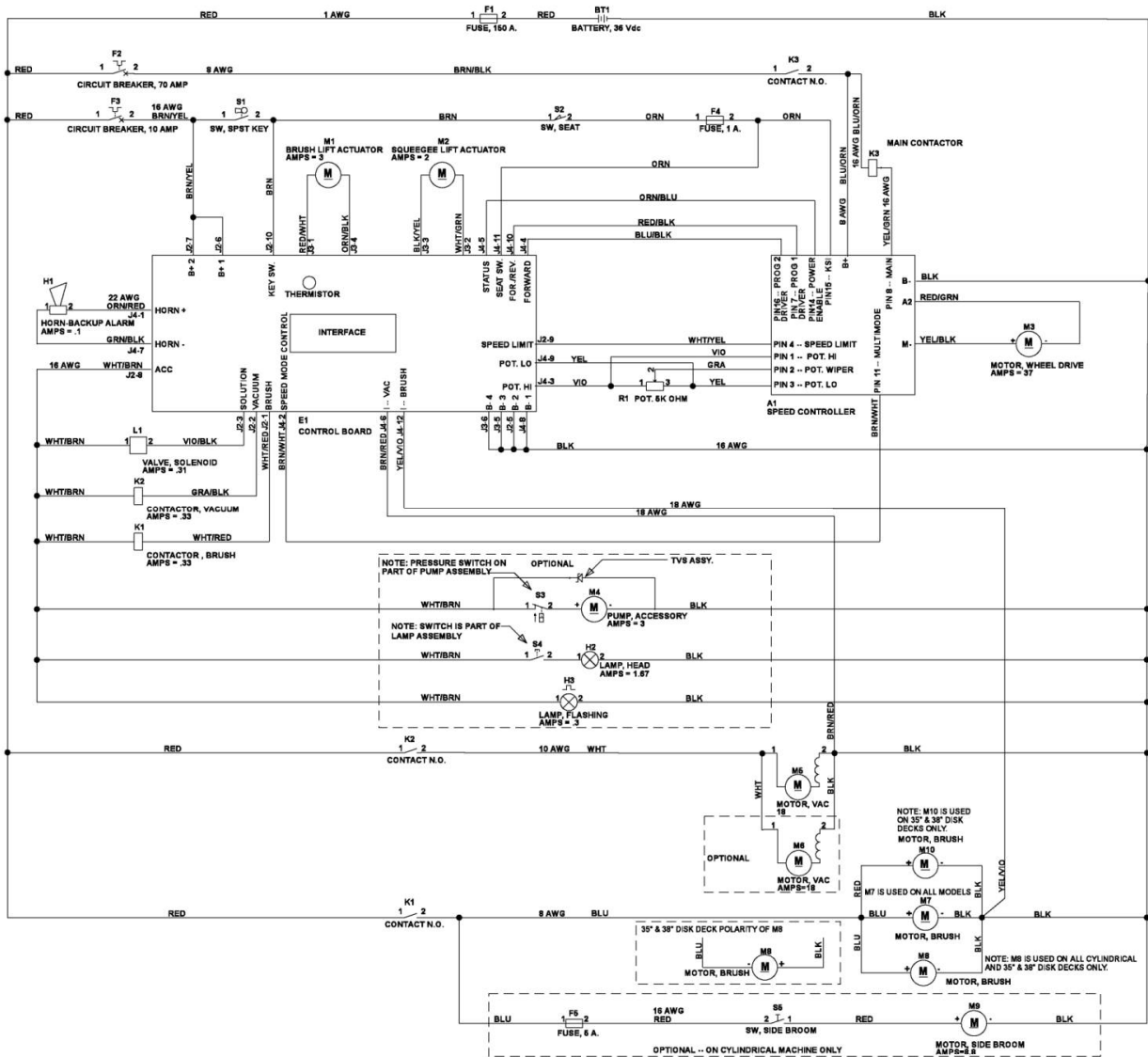
NOTE 1: Used on machines built before serial number 1942864. NOTE 2: Used on machines built after serial number 1942863. NOTE 3: Not used on EDS models.

Pos.	Artikel-Nr.	Menge	Variante	Notes
01	56001939	2	Flachdichtung 5/16	
02	56001958	2	SCR SOC SET 3/8-16 X .50	[1]
03	56002063	4	"U-Scheibe 3/8""	
04	56440817	1	"Knopf 1.00 x 1/4 ""	
05	56002086	2	Madenschraube	
06	56002155	1	SCR HEX 1/4-20 X .75	[2]
07	56002523	2	SCR PAN HD PHIL HP5 8-32 X .38	[3]
08	56002840	2	Nut 1/4 20	
09	56002843	1	NUT HEX NYL LOC-THIN1/2-1	
10	56002930	2	Madenschraube BR 1300 S	
11	56003179	2	Schraube HEX THD/HD M8-1,	[2]
12	56003186	4	Schrauben	
13	56003228	4	KEY, WDF 606	
14	56003268	2	Ring	[2]
15	56002228	1	Unterlagsscheibe	
16	56003389	2	MutterHEX NYL LOC M8-1.25	
17	56003403	1	Mutter M6 x 1.00	[2]
18	56009126	8	Schraube 1/4-20 x75	
19	56001879	1	U-SCHEIBEN	
20	56245008	1	Feder ext.	[2]
21	56302164	2	Nylonbüchse	[2]
22	56320595	2	BUECHSE	
23	56367095	2	Ring zu 5015B	
25	56412198	1	Lenkkette	
26	56412281	1	Kabelzug FrischwasserBR 700	[3]
27	56420059	1	Lenkstange, oben	
28	56454081	1	Kreuzgelenk zu 5015B	
29	56471148	1	Zahnrad	
30	56497306	1	Lenkrad cu CR 1300	
31	56497560	1	Adapter	
32	56497308	1	Verschaltung Lenkwelle	
33	56497543	1	CAP	
34	56003155	1	Schraube HEX M6 1.0x12mm	[2]
35	56314877	1	Halterung f. Säule	[2]
36	56314093	1	STEERING COLUMN	[4]
37	56314094	1	Stange f. Steuerung	[2]
38	56314148	1	Lagerscheibe Nylon	[2]
39	56314195	1	Lenkwelle BR 800 S	
40	56314295	1	Abdeckung f. Lenksäule,	
41	56314296	1	Verkleidung Lenksäule,	
42	56900041	1	Hülse	
43	56250414	2	Bearing Flange/Lager	
44	56413657	1	Lenksäule BR600S-850S	[5]
45	56384447	1	STEERING UPGRADE KIT	[5]
46	56305072	1	Zugfeder	[5]
47	56413658	1	Verzahnung	[5]
48	56002093	1	SCR HEX HD 1/4-20 X 1.00	[5]
49	56002840	1	Nut 1/4 20	[5]
50	56003039	2	Schraube 1/4-20	[5]
51	56003145	2	Nut 1/4 20	[5]
52	56003261	1	Ring	[5]
53	56413211	2	Lagerflansche	[5]
54	56003436	2	Schraube Hex HDss M8-1.25	[5]
55	56413664	1	Stange	[5]
56	56413661	1	Lenksperrung	[5]

## Part Notes:

- [1] - EXPIRED NO REPLACEMENT  
[2] - NOTE 1

- [3] - NOTE 3
- [4] - NOTE 1 TSBUS2007-960
- [5] - NOTE 2



Resource notes:

Wiring diagram for Machines built before this Serial Number Chart 1863250 - BR 850 1863255 - BR 950 1863260 - BR 1050

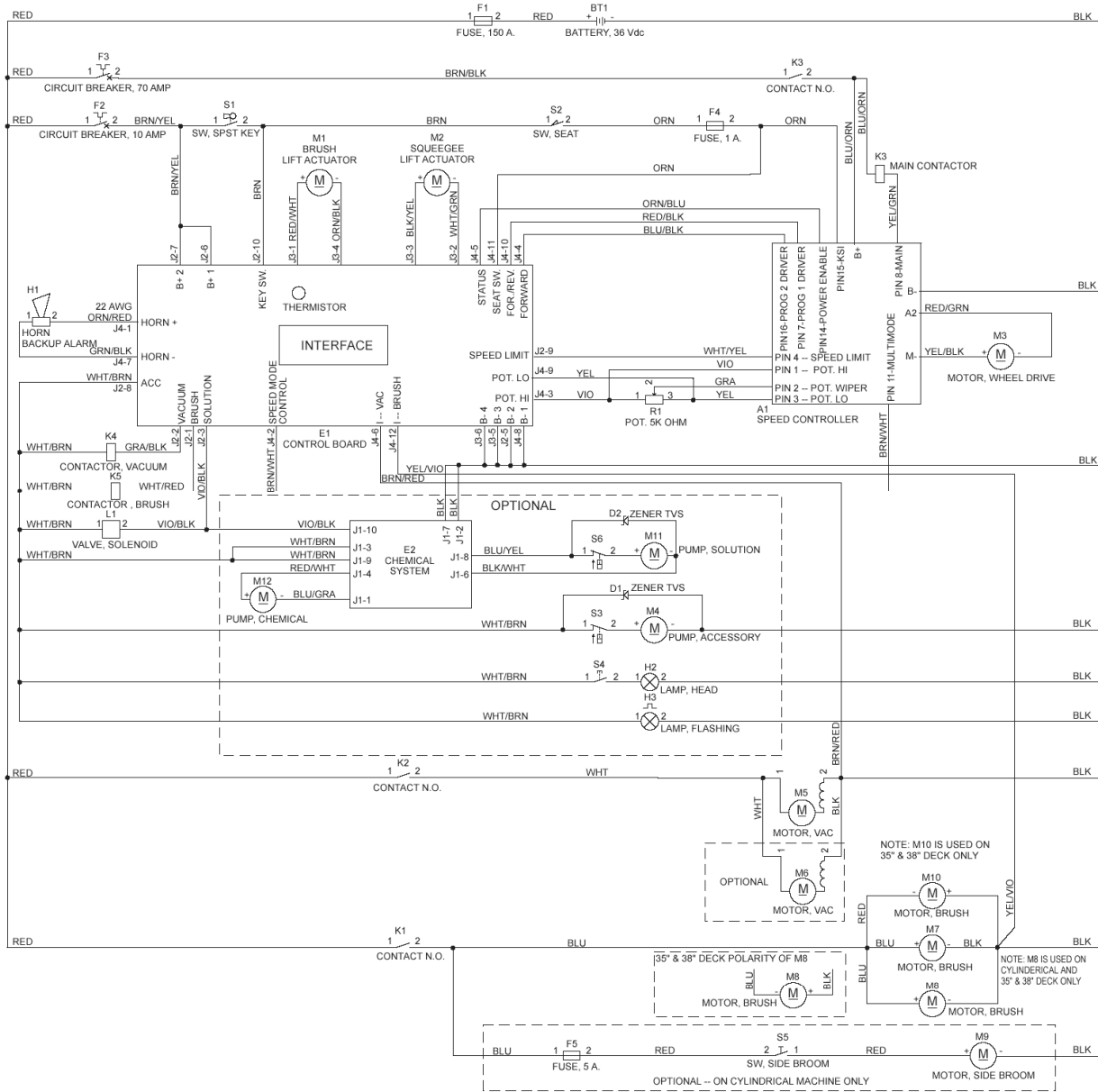
Pos.	Artikel-Nr.	Menge	Variante	Notes
A1	56394375	1	SPEED CONTROLLER KIT	
BT1		1	Battery - not available	[1]
E1	56396188	1	Schlüsselschalter	
E1	56390780	1	Bedienfeld, elektronisch	
E1	56396189	1	Ersatzschlüsselzu 56396188	
E1	56314713	1	Armaturen Brett BR 600 S	[2]
F1	56412089	1	FUSE 150 AMP	
F2	56454429	1	CIRCUIT BREAKER 70A	[3]
F3	56387316	1	Schütz 10A	[4]
H1	56412177	1	Horn RückfahralarmBR 1100S	
H2	56314313	1	Frontlicht	[5]
H3	56314302	1	Rundumleuchte	[5]
K1	56395453	1	CONTACTOR 36 VOLT 200 AMP	
K2	56395455	1	Magnetventil 36V	
K3	56395453	1	CONTACTOR 36 VOLT 200 AMP	
L1	56397215	1	MagnetventilBA 755/855	
M1	56388520	1	Spindelmutter	
M1	56470433	1	"Kohle BA/BR 600; SatzBR 650/700/800/850	[6]
M1	56393303	1	Antrieb	
M1	56393790	2	SWITCH LIMIT	[6]
M10	56314786	1	Kohlebürstenkit	[7]
M10	56314785	1	Getriebe	[7]
M10	56314784	1	Bürstenmotor 36V 450W	[7]
M10	56314789	1	Bürstenantriebsmotor	[8]
M2	56397230	1	Hubmotor	
M3	56412325	1	Kohlenbürsten Set	[7]
M3	56390817	1	Antriebsrad kpl. m. Motor	
M4	56109588	1	Absperrventil	[7]
M4	56212014	1	Pumpe 36 V BR 600-800	[5]
M4	56109587	1	PUMP HEAD ASSY	[7]
M5	56410065	1	Saugmotor 36V	
M5	56212223	1	CARBON BRUSH SET OF 2	[7]
M6	56410065	1	Saugmotor 36V	[5]
M6	56212223	1	CARBON BRUSH SET OF 2	[7]
M7	56314582	1	BRUSH RING	[7]
M7	56314580	1	Kugellager	[7]
M7	56407492	1	Bürsten Abdeckhaube	[9]
M7	56314784	1	Bürstenmotor 36V 450W	[7]
M7	56407431	1	Bürstenmotor zu BR 850/C	[10]
M7	56314789	1	Bürstenantriebsmotor	[11]
M7	56314584	1	SAFETY HOOK	[7]
M7	56407493	4	Kohle BR 600/650/700/800BR 850/950/1050	[12]
M7	56314560	2	Fahrgetriebe	[7]
M7	56410183	1	BEARING F.E.	[12]
M7	56314583	4	Kohlebürste f. BR6-800S	[7]
M7	56314786	1	Kohlebürstenkit	[7]
M7	56314359	2	Keil 6mm	[7]
M7	56412323	1	Kugellager (Bürstenseite)	[7]
M7	56407494	4	Abdeckung f. Kohlebürste	[9]
M7	56314785	1	Getriebe	[7]
M7	56407489	1	ARMATURE	[12]
M7	56314335	1	Motor mit WinkelgetriebeBR 800 S	[13]
M7	56314499	2	Deckel f. Getriebe	[7]
M8	56314784	1	Bürstenmotor 36V 450W	[7]
M8	56314789	1	Bürstenantriebsmotor	[8]
M8	56407431	1	Bürstenmotor zu BR 850/C	[10]
M8	56407493	4	Kohle BR 600/650/700/800BR 850/950/1050	[12]
M8	56314786	1	Kohlebürstenkit	[7]
M8	56410183	1	BEARING F.E.	[12]



Pos.	Artikel-Nr.	Menge	Variante	Notes
M8	56407492	1	Bürsten Abdeckhaube	[9]
M8	56407489	1	ARMATURE	[12]
M8	56314785	1	Getriebe	[7]
M8	56407494	4	Abdeckung f. Kohlebürste	[9]
M9	56469530	1	Winkelgetriebe BR 1000	[5]
R1	56454740	1	Potentiometer 5K	
S1	56396188	1	Schlüsselschalter	
S1	56396189	1	Ersatzschlüsselzu 56396188	[7]
S2	7-82-00050	1	Sitzschalter BR 1300 S	
S3		1	Switch, Pump (part of M4) - Not available	[14]
S4		1	Switch, Side Broom (optional) - Not available	[15]
S5	56372088	1	Schalter	[5]

## Part Notes:

- [1] - Battery - not available
- [2] - TSBUS2006-932TSB US 2006-932. Control panel membrane switch replacement
- [3] - Wheel drive
- [4] - Control circuit
- [5] - optional
- [6] - EXPIRED 1/4/2008
- [7] - Not shown
- [8] - BR 950S, 1050S Disk
- [9] - For 56407431 - Not shown  
SEE TSB-FC-2015-040  
TSB-FC-2015-040 Replacement Parts
- [10] - All cylindrical
- [11] - BR 950S, BR 1050S Disk
- [12] - For 56407431 - Not shown
- [13] - BR 850S / Disk
- [14] - Switch, Pump (part of M4) - Not available
- [15] - Switch, Side Broom (optional) - Not available



Resource notes:

Wiring diagram for Machines built after this Serial Number Chart 1863250 - BR 850 1863255 - BR 950 1863260 - BR 1050

Pos.	Artikel-Nr.	Menge	Variante	Notes
A1	56394375	1	SPEED CONTROLLER KIT	
BT1		1	Battery - not available	[1]
E1	56396188	1	Schlüsselschalter	[2]
E1	56390780	1	Bedienfeld, elektronisch	
E1	56396189	1	Ersatzschlüsselzu 56396188	[2]
E1	56314713	1	Armaturen Brett BR 600 S	[3]
E2	56316110	1	Platine f. EDS-System	[4]
F1	56412089	1	FUSE 150 AMP	
F2	56387316	1	Schütz 10A	[5]
F3	56454429	1	CIRCUIT BREAKER 70A	[6]
F4		1	Fuse, 1 amp - Not available	[7]
F5		1	Fuse, 5 amp (Side Broom / optional) - Not available	[8]
H1	56412177	1	Horn RückfahralarmBR 1100S	
H2	56314313	1	Frontlicht	[9]
H3	56314302	1	Rundumleuchte	[9]
K1	56395453	1	CONTACTOR 36 VOLT 200 AMP	
K2	56395455	1	Magnetventil 36V	
K3	56395453	1	CONTACTOR 36 VOLT 200 AMP	
L1	56397215	1	MagnetventilBA 755/855	
M1	56393303	1	Antrieb	
M1	56388520	1	Spindelmutter	[2]
M10	56314785	1	Getriebe	[2]
M10	56314786	1	Kohlebürstenkit	[2]
M10	56212014	1	Pumpe 36 V BR 600-800	[10]
M10	56314789	1	Bürstenantriebsmotor	[11]
M10	56314784	1	Bürstenmotor 36V 450W	[2]
M11	56212014	1	Pumpe 36 V BR 600-800	[10]
M12	56314984	1	PUMP DETERGENT	[10]
M2	56397230	1	Hubmotor	
M3	56412325	1	Kohlenbürsten Set	[2]
M3	56390817	1	Antriebsrad kpl. m. Motor	
M4	56109587	1	PUMP HEAD ASSY	[2]
M4	56212014	1	Pumpe 36 V BR 600-800	[9]
M4	56109588	1	Absperrventil	[2]
M5	56410065	1	Saugmotor 36V	
M5	56212223	1	CARBON BRUSH SET OF 2	[2]
M6	56410065	1	Saugmotor 36V	[9]
M6	56212223	1	CARBON BRUSH SET OF 2	[2]
M7	56314584	1	SAFETY HOOK	[2]
M7	56314784	1	Bürstenmotor 36V 450W	[2]
M7	56407494	4	Abdeckung f. Kohlebürste	[12]
M7	56314583	4	Kohlebürste f. BR6-800S	[2]
M7	56314789	1	Bürstenantriebsmotor	[11]
M7	56407492	1	Bürsten Abdeckhaube	[12]
M7	56412323	1	Kugellager (Bürstenseite)	[2]
M7	56314580	1	Kugellager	[2]
M7	56410183	1	BEARING F.E.	[13]
M7	56314785	1	Getriebe	[2]
M7	56314582	1	BRUSH RING	[2]
M7	56314499	2	Deckel f. Getriebe	[2]
M7	56314786	1	Kohlebürstenkit	[2]
M7	56314335	1	Motor mit WinkelgetriebeBR 800 S	[14]
M7	56407493	4	Kohle BR 600/650/700/800BR 850/950/1050	[13]
M7	56407431	1	Bürstenmotor zu BR 850/C	[15]
M7	56407489	1	ARMATURE	[13]
M7	56314359	2	Keil 6mm	[2]
M7	56314560	2	Fahrgetriebe	[2]
M8	56407493	4	Kohle BR 600/650/700/800BR 850/950/1050	[13]
M8	56407431	1	Bürstenmotor zu BR 850/C	[15]

Pos.	Artikel-Nr.	Menge	Variante	Notes
M8	56410183	1	BEARING F.E.	[13]
M8	56314785	1	Getriebe	[2]
M8	56407494	4	Abdeckung f. Kohlebürste	[12]
M8	56407489	1	ARMATURE	[13]
M8	56314784	1	Bürstenmotor 36V 450W	[2]
M8	56314786	1	Kohlebürstenkit	[2]
M8	56314789	1	Bürstenantriebsmotor	[11]
M8	56407492	1	Bürsten Abdeckhaube	[12]
M9	56469530	1	Winkelgetriebe BR 1000	[9]
R1	56454740	1	Potentiometer 5K	
S1	56396188	1	Schlüsselschalter	
S1	56396189	1	Ersatzschlüsselzu 56396188	[2]
S2	7-82-00050	1	Sitzschalter BR 1300 S	
S3		1	Switch, Pump (Part of M4) - Not available	[16]
S4		1	Switch, Headlight (Part of H2) - Not available	[17]
S5	56372088	1	Schalter	[9]
S6		1	Switch, Pump Part of M11) - Not available	[18]

## Part Notes:

- [1] - Battery - not available
- [2] - Not shown
- [3] - TSBUS2006-932 - Not shown TSB US 2006-932. Control panel membrane switch replacement
- [4] - Detergent Injection only - TSBUS2006-922 TSB US 2006-922. EMC-RFI compliance
- [5] - Control Circuit
- [6] - Wheel Drive
- [7] - Fuse, 1 amp - Not available
- [8] - Fuse, 5 amp (Side Broom / optional) - Not available
- [9] - optional
- [10] - Detergent Injection only
- [11] - BR 950S, 1050S Disk
- [12] - for 56407431 - Not shown  
SEE TSB-FC-2015-040  
TSB-FC-2015-040 Replacement Parts
- [13] - for 56407431 - Not shown
- [14] - BR 850S/ Disk
- [15] - all Cylindrical
- [16] - Switch, Pump (Part of M4) - Not available
- [17] - Switch, Headlight (Part of H2) - Not available
- [18] - Switch, Pump Part of M11) - Not available

Item	Ref. No.	Qty	Description
			<b>Kits</b>
**	56314753	1	Kit, Onboard Charger TSBUS2004-872 / TSBUS2009-1027
**#	56314301	1	Kit, Seat Armrests (for 56314035)
**#	7-03-04249	1	Kit-Seat Armrests (for 8-69-00022)
**	56314302	1	Kit, Warning Beacon
**	56314306	1	Kit, Right Side Broom
**	56314308	1	Kit, Scrub-N-Vac Tool W/Pump
**	56412223	1	Kit, Vacuum Wand Caddy
**	56314312	1	Kit, Seatbelt
**	56314313	1	Kit, Headlight
**	56314715	A/R	Kit, Deck BR 850S
**	56316525	A/R	Kit, Deck BR 850SC
**	56316186	A/R	Kit, Dual Vac Motor, Nilisk

Replacement parts for the kits listed above can be found on each kit's associated instruction sheet.

			<b>BR 850S Squeegee Blade Kits (BEFORE SN1819567)</b>
**	56314060	1	Kit, Standard Squeegee Blade <b>NOTE</b>
**	56314061	1	Kit, Linatex Squeegee Blade <b>NOTE 1</b>
**	56315855	1	Kit, PU Squeegee Blade <b>NOTE 1</b>
			<b>BR 850S / BR 950S Squeegee Blade Kits</b>
**	56314865	1	Kit, Linatex Squeegee Blade <b>NOTE 1</b>
**	56315856	1	Kit, PU Squeegee Blade <b>NOTE 1</b>
			<b>BR 1050S Squeegee Blade Kits</b>
**	56314844	1	Kit, Linatex Squeegee Blade <b>NOTE 1</b>
**	56315978	1	Kit, PU Squeegee Blade <b>NOTE 1</b>
			<b>BR 850S Disk Deck Blade Kits (Before TSBUS2004-884)</b>
**	56314127	1	Kit, Gum Rubber 32 Disk <b>NOTE 2</b>
**	56314173	1	Kit, Neoprene 32 Disk <b>NOTE 2</b>
**	56314398	1	Kit, Linatex 32 Disk <b>NOTE 2</b>
**	56315724	1	Kit, Gum Rubber <b>NOTE 3</b>
**	56315723	1	Kit, Red Gum Rubber <b>NOTE 3</b>
			<b>BR 850S Disk Deck Blade Kits (After TSBUS2004-884)</b>
**	56314914	1	Kit, Gum Rubber 32 Disk <b>NOTE 2</b>
**	56314918	1	Kit, Linatex 32 Disk <b>NOTE 2</b>
**	56315722	1	Kit, Gum Rubber <b>NOTE 3</b>
**	56315721	1	Kit, Red Gum Rubber <b>NOTE 3</b>
			<b>BR 950S Disk Deck Blade Kit</b>
**	56314847	1	Kit, Neoprene 35 Disk <b>NOTE 2</b>
**	56314846	1	Kit, Linatex 35 Disk <b>NOTE 2</b>
**	56315720	1	Kit, Red Gum Rubber <b>NOTE 3</b>
			<b>BR 1050S Disk Deck Blade Kits</b>
**	56314849	1	Kit, Neoprene 38 Disk <b>NOTE 2</b>
**	56314848	1	Kit, Linatex 38 Disk <b>NOTE 2</b>
**	56315720	1	Kit, Red Gum Rubber <b>NOTE 3</b>
			<b>Accessories</b>
**	56409441	A/R	Programmer, 1311 User
**	56409823	A/R	Programmer Cable
**	56044348	A/R	Literature Pack
			<b>Optional Batteries</b>
**	L00200033	1	Battery Complete, 36V, 320A/H
**	L00210020	1	Battery Complete, 36V, 280A/H
**	L00200025	1	Battery Complete, 36V, 240A/H
**	L00210019	1	Battery Complete, 36V, 220A/H
**	80565000	6	Battery Complete, 6V, 255A/H
**	80564000	6	Battery Complete, 6V, 180A/H
			<b>Optional Battery Chargers</b>
**	L00173642	A/R	Battery Charger-UK, 36VDC, Auto, 40Amp, 230VAC/50HZ (used on L00200025, L00200033, 80565000)
**	80569100	A/R	Battery Charger-UK, 36VDC, Auto, 20Amp, 230VAC/50HZ (used on L00210019, 80564000)
**	80569300	A/R	Battery Charger-UK, 36VDC, Auto, 40Amp, 230VAC/50HZ (used on L00210020)
**	L00193642	A/R	Battery Charger-EU, 36VDC, Auto, 40Amp, 230VAC/50HZ (used on L00200025, L00200033, 80565000)
**	80569000	A/R	Battery Charger-EU, 36VDC, Auto, 20Amp, 230VAC/50HZ (used on L00210019, 80564000)
**	80569200	A/R	Battery Charger-EU, 36VDC, Auto, 40Amp, 230VAC/50HZ (used on L00210020)

# = Revised or new since last update

Pos.	Artikel-Nr.	Menge	Variante	Notes
01	56314753	1	KIT ON BOARD CHRGR WET 120V AC	[1]
02	56314301	1	Armlehnen Kit zuBR 700 S/SC	[2]
03	7-03-04249	1	Armlehne links	[3]
04	56314302	1	Rundumleuchte	
05	56314306	1	Seitenbesen, rechts	
06	56314308	1	Hand-Sprüh-Saugset	
07	56412223	1	Handabsaugung	[4]
08	56422162	1	Sicherheitsgurt	
09	56314313	1	Frontlicht	
10	56314715	1	DECK KIT BR850S	[5]
100	L00200033	1	Nassbatterie+Trog, 36V-320 Ah, Aquamatic	
101	L00210020	1	Gelbatterie im Trog, 36V-280 Ah	
103	L00210020	1	Gelbatterie im Trog, 36V-280 Ah	
104	80565000	6	Nassbatterie Semi T Monoblock, 6V-255 Ah	
105	80564000	6	Gelbatterie Monoblock, 6V-180 Ah	[6]
11	56316525	1	DECK KIT BR850CS	[7]
110	80553640	1	Ladegerät HF 36V 40A	[8]
111	80543621	1	Ladegerät HF 36V-20A SB175G	[9]
112	80553640	1	Ladegerät HF 36V 40A	[10]
113	80553640	1	Ladegerät HF 36V 40A	[8]
114	80543621	1	Ladegerät HF 36V-20A SB175G	[11]
115	80553640	1	Ladegerät HF 36V 40A	[12]
12	56316186	1	Saugmotorfilter	
20	56314060	1	Absaugleisten-Set, Gummi	[13]
21	56314061	1	Absaugleisten-Set, Gummi, rot	[13]
22	56315855	1	Absaugleisten-Set PU	[13]
30	56314865	1	Absaugleisten-Set, rot	[13]
31	56315856	1	Absaugleisten-Set PU	[13]
40	56314844	1	Absaugleisten-Set	[13]
41	56315978	1	Absaugleisten-Set, PU	[14]
50	56314127	1	Seitenschürze 32", 813 mm	[15]
51	56390979	1	Seitenschürzenkit	[16]
52	56314398	1	Gummileisten-Set	[17]
53	56315724	1	BLADE KIT-DISC GUM SIDE	[18]
54	56315723	1	Seitenschürzen-Set, Gummi, rot	[18]
60	56314914	1	Seitenschürzen-Set	[17]
61	56314918	1	Spritz Gummi-Set	[17]
62	56315722	1	Seitenschürzen-Set, Gummi	[18]
63	56315721	1	Seitenschürzen-Set, rot	[18]
70	56390927	1	BLADE KIT-DISK PU 35	[19]
71	56314846	1	Spritz Gummi-Set, rot	[17]
72	56315720	1	Seitenschürzen-Set, rot	[18]
80	56390953	1	BLADE KIT-DISK PU 38	[20]
81	56314848	1	Spritz Gummi-Set, rot	[17]
82	56315720	1	Seitenschürzen-Set, rot	[18]
90	56383571	1	PROGRAMMER-USER	
91	56409823	1	Programmier-Kabelset	[21]
92	56044348	1	LITERATURE PACK	[5]

## Part Notes:

- [1] - TSBUS2004-872TSB US 2004-872. Charger Display Panel / TSBUS2009-1027
- [2] - FOR 56314035  
COMPLEXITY REDUCTION
- [3] - FOR 8-69-00022
- [4] - EXPIRED ON 12/20/2022
- [5] - GUARANTEE DATE EXPIRED
- [6] - TSB-FC-2019-033 Exide GEL battery  
DE TSB-FC-2019-033 Exide GEL Batterien
- [7] - PRUNED ACCESSORY

- [8] - USED ON L00200025, L00200033, 80565000
- [9] - USED ON L00210019, 80564000 (Replaces 80569100)
- [10] - USED ON L00210020
- [11] - USED ON L00210019, 80564000 (Replaces 80569000)
- [12] - USED ON L00210020 (Replaces 80569200)
- [13] - NOTE 1
- [14] - NOTE 1  
GUARANTEE DATE EXPIRED
- [15] - NOTE 2  
GUARANTEE DATE EXPIRED
- [16] - NOTE 2  
EXPIRED ON 6/09/2021
- [17] - NOTE 2
- [18] - NOTE 3
- [19] - NOTE 2 (Replaces 56314847)  
GUARANTEE DATE EXPIRED
- [20] - NOTE 2  
EXPIRED NO REPLACEMENT
- [21] - EXPIRED NO REPLACEMENT

Item	Ref. No.	Qty	Description	Item	Ref. No.	Qty	Description
			<b>BR 850S Disk Scrub Brushes</b>				<b>BR 850S Cylindrical Scrub Brushes</b>
**#	56505830	2	Short Trim Pad Holder	**#	56407473	2	Soft Nylon
**#	56505195	2	Pad Retainer for 56505750	**#	56407474	2	Hard Nylon
**#	56505831	2	MagnaGrit	**#	56407475	2	Prolene
**#	56505832	2	DynaGrit	**#	56407476	2	180 Grit
**#	56505833	2	AgLite	**#	56407477	2	80 Grit
**#	56505834	2	Prolene	**#	56407478	2	46 Grit
**#	56505835	2	ProLite				<b>BR 950S Cylindrical Scrub Brushes</b>
**#	56505836	2	Union Mix	**#	56314778	2	Soft Nylon
**#	56505837	2	MidGrit	**#	56314779	2	Hard Nylon
**#	56505838	2	MidLite Grit	**#	56314780	2	Prolene
			<b>BR 950S Disk Scrub Brushes</b>	**#	56314781	2	180 Grit
**#	56505750	2	Short Trim Pad Holder	**#	56314782	2	80 Grit
**#	56505195	2	Pad Retainer for 56505750	**#	56314783	2	46 Grit
**#	56505751	2	MagnaGrit				<b>BR 1050S Cylindrical Scrub Brushes</b>
**#	56505752	2	DynaGrit	**#	56410294	2	Soft Nylon
**#	56505753	2	AgLite	**#	56410295	2	Hard Nylon
**#	56505754	2	Prolene	**#	56410293	2	Prolene
**#	56505755	2	ProLite	**#	56410296	2	180 Grit
**#	56505756	2	Union Mix	**#	56410297	2	80 Grit
**#	56505757	2	MidGrit	**#	56410298	2	46 Grit
**#	56505758	2	MidLite Grit				
			<b>BR 1050S Disk Scrub Brushes</b>	** = Optional, Not Included			
**#	56505760	2	Short Trim Pad Holder	# = Revised or new since last update			
**#	56505195	2	Pad Retainer for 56505750				
**#	56505761	2	MagnaGrit				
**#	56505762	2	DynaGrit				
**#	56505763	2	AgLite				
**#	56505764	2	Prolene				
**#	56505765	2	ProLite				
**#	56505766	2	Union Mix				
**#	56505767	2	MidGrit				
**#	56505768	2	MidLite Grit				

**NOTE 1:** Squeegee Blade Kits include both front & rear squeegee blades.

**NOTE 2:** These Disk Deck Blade Kits include required mounting fasteners (Rivet, Nylon Tree Push-In 56003263) the 2 blades (front and rear) for the deck and all skirt assembly blades.

**NOTE 3:** These Disk Deck Blade Kits include just the blades for use in the two Skirt Assemblies.



Pos.	Artikel-Nr.	Menge	Variante	Notes
01	56505830	2	Padhalter 16"	[1]
02	56505195	2	Padverschluss m. Spange	[2]
03	56505831	2	Bürste Sica sehr hart, Grit 46	[1]
04	56505832	2	Bürste Sica hart, Dyna Grit 80	[1]
05	56505833	2	Bürste Sica weich, Aglite Grit 500	[1]
06	56505834	2	Bürste PPN hart	[1]
07	56505835	2	Bürste PPN weich	[1]
08	56505836	2	Bürste Union Mix	[1]
09	56505837	2	Bürste Sica mittel, Grit 240	[1]
10	56505838	2	Bürste Sica mittel, Grit 180	[1]
20	56505750	2	Padhalter 300 mm	[1]
21	56505195	2	Padverschluss m. Spange	[2]
22	56505751	2	Bürste Magna Grit	[1]
23	56505752	2	Bürste Dyna Grit	[1]
24	56505753	2	Bürste Aglite Grit	[3]
25	56505754	2	Bürste Prolene	[1]
26	56505755	2	Bürste Prolite	[1]
27	56505756	2	Bürste Union Mix	[1]
28	56505757	2	Bürste Mid Grit	[1]
29	56505758	2	Bürste Mid	[1]
30	56505760	2	Padhalter 330 mm	[1]
31	56505195	2	Padverschluss m. Spange	[2]
32	56505761	2	Bürste Sica hart	[1]
33	56505762	2	Bürste sica mittel	[1]
34	56505763	2	Bürste Aglite Grit	[1]
35	56505764	2	Bürste Prolene, hart	[1]
36	56505765	2	Bürste Prolene, weich	[1]
37	56505766	2	Bürste, Union Mix	[1]
38	56505767	2	Bürste Mid Grit, 330 mm	[1]
39	56505768	2	Bürste Mid 330 mm	[1]
40	56407473	2	Bürstenwalze Nylon weich, gelb	[1]
41	56407474	2	Bürstenwalze Nylon hart, Naturborsten	[1]
42	56407475	2	Bürstenwalze PP, rot	[1]
43	56407476	2	Bürstenwalze Mid Grit 180, mittel	[1]
44	56407477	2	Bürstenwalze Dyna Grit 80, hart	[1]
45	56407478	2	Bürstenwalze Grit 46, sehr hart	[1]
50	56314778	2	Bürstenwalze Nylon, weich, gelb	[1]
51	56314779	2	Bürstenwalze Nylon, hart, Naturborsten	[1]
52	56314780	2	Bürstenwalze PP, rot	[1]
53	56314781	2	Bürstenwalze Mid Grit 180, blau/grau	[1]
54	56314782	2	Bürstenwalze Dyna 80, schwarz	[1]
55	56314783	2	Bürstenwalze Magna 46, orange/braun	[1]
60	56410294	2	Bürstenwalze Nylon, weich, gelb	[1]
61	56410295	2	Bürstenwalze Nylon, hart, Naturborsten	[1]
62	56410293	2	Bürstenwalze PP, Standard, rot	[1]
63	56410296	2	Bürstenwalze Grit 180, blau/grau	[1]
64	56410297	2	Bürstenwalze Grit 80, schwarz	[4]
65	56410298	2	Bürstenwalze Grit 46, orange/braun	[5]

## Part Notes:

- [1] - OPTIONAL
- [2] - FOR 56505750 - OPTIONAL
- [3] - OPTIONAL  
EXPIRED ON 07/08/2022
- [4] - OPTIONAL  
EXPIRED ON 4/13/2020
- [5] - OPTIONAL  
EXPIRED ON 8/06/2020

We provide brushes and pad holders that will give you the best possible performance between machine and floor. Following are descriptions of the materials and their applications.

- Union Mix:** Medium grade natural fibers for polishing finished floors with standard-speed equipment. Recommended for use in place of white pads.
- ProLite:** Bristles are made from light-duty polypropylene for general scrubbing when you do not want to scratch or remove finish from the floor. Recommended for use in place of red pads.
- Prolene:** Polypropylene material for medium-duty scrubbing on concrete, terrazzo and vinyl floor tile. Recommended for use in place of green or blue pads.
- Magna Grit:** For extreme heavy-duty scrubbing or stripping of floors. This brush has extra large diameter silicon carbide grit impregnated synthetic bristles. Recommended for use in place of black pads.
- Dyna Grit:** For aggressive, heavy-duty scrubbing or stripping of floors. Recommended for use in place of brown pads.
- MidLite Grit:** For general purpose scrubbing of sealed or unsealed concrete, stone, terrazzo, quarry tile and other resilient hard floor surfaces. Recommended for use in place of green or blue pads.
- MidGrit:** For general purpose scrubbing when you need a lighter action for sealed or unsealed concrete, stone, terrazzo, quarry tile and other resilient hard floor surfaces. Recommended for use in place of green or blue pads.
- AgLite Grit:** For light scrubbing when used wet; buffing or polishing when used dry on urethane coated, sealed concrete or other resilient hard surface floors. Recommended for use in place of red or white pads.
- Short Trim Pad Holder:** Made with a structural foam block and center ring for correct pad centering. It has a "shower feed" design for getting solution to the floor.

**BR 850S BRUSHES**

- 56505830 - Short Trim Pad Holder
- 56505195 - Pad Retainer for 56505830
- 56505831 - Magna Grit
- 56505832 - Dyna Grit
- 56505833 - AgLite Grit
- 56505834 - Prolene
- 56505835 - Prolite
- 56505836 - Union Mix
- 56505837 - MidGrit
- 56505838 - MidLite Grit

**BR 950S BRUSHES**

- 56505750 - Short Trim Pad Holder
- 56505195 - Pad Retainer for 56505750
- 56505751 - Magna Grit
- 56505752 - Dyna Grit
- 56505753 - AgLite Grit
- 56505754 - Prolene
- 56505755 - Prolite
- 56505756 - Union Mix
- 56505757 - MidGrit
- 56505758 - MidLite Grit

**BR 1050S BRUSHES**

- 56505760 - Short Trim Pad Holder
- 56505195 - Pad Retainer for 56505760
- 56505761 - Magna Grit
- 56505762 - Dyna Grit
- 56505763 - AgLite Grit
- 56505764 - Prolene
- 56505765 - Prolite
- 56505766 - Union Mix
- 56505767 - MidGrit
- 56505768 - MidLite Grit

**DISC BRUSH APPLICATION GUIDE (SUGGESTION ONLY)**

Application	46 Grit	80 Grit	180 Grit	240 Grit	500 Grit	Prolene	Prolite	Union Mix
<b>Stripping:</b>								
Concrete	X	X						
Terrazzo	X	X						
Ceramic/Quarry tile		X						
Vinyl tile		X						
<b>General Scrubbing:</b>								
Concrete	X	X	X	X		X		
Terrazzo			X	X	X	X		
Ceramic/Quarry tile			X	X	X	X		
Marble					X		X	
Vinyl tile			X		X	X		
Raised-rubber tile					X		X	
<b>Polishing:</b>								
Raised Disc Tile								X
Marble								X
Vinyl tile								X

**Resource notes:**

Note: Pos. no.: 1-10 - BR 850S - Brushes Pos. no.: 11-20 - BR 950S - Brushes Pos. no.: 21-30 - BR 1050S - Brushes

Pos.	Artikel-Nr.	Menge	Variante	Notes
01	56505830	1	Padhalter 16"	
02	56505195	1	Padverschluss m. Spange	[1]
03	56505831	1	Bürste Sica sehr hart, Grit 46	
04	56505832	1	Bürste Sica hart, Dyna Grit 80	
05	56505833	1	Bürste Sica weich, Aglite Grit 500	
06	56505834	1	Bürste PPN hart	
07	56505835	1	Bürste PPN weich	
08	56505836	1	Bürste Union Mix	
09	56505837	1	Bürste Sica mittel, Grit 240	
10	56505838	1	Bürste Sica mittel, Grit 180	
11	56505750	1	Padhalter 300 mm	
12	56505195	1	Padverschluss m. Spange	[2]
13	56505751	1	Bürste Magna Grit	
14	56505752	1	Bürste Dyna Grit	
15	56505753	1	Bürste Aglite Grit	[3]
16	56505754	1	Bürste Prolene	
17	56505755	1	Bürste Prolite	
18	56505756	1	Bürste Union Mix	
19	56505757	1	Bürste Mid Grit	
20	56505758	1	Bürste Mid	
21	56505760	1	Padhalter 330 mm	
22	56505195	1	Padverschluss m. Spange	[4]
23	56505761	1	Bürste Sica hart	
24	56505762	1	Bürste sica mittel	
25	56505763	1	Bürste Aglite Grit	
26	56505764	1	Bürste Prolene, hart	
27	56505765	1	Bürste Prolene, weich	
28	56505766	1	Bürste, Union Mix	
29	56505767	1	Bürste Mid Grit, 330 mm	
30	56505768	1	Bürste Mid 330 mm	

## Part Notes:

- [1] - FOR 56505830
- [2] - FOR 56505750
- [3] - EXPIRED ON 07/08/2022
- [4] - FOR 56505760

We provide brushes and pad holders that will give you the best possible performance between machine and floor. Following are descriptions of the materials and their applications.

- 46 Grit Brush:** Most aggressive grit brush. Used primarily to clean heavy buildup on concrete floors in factories, or for heavy stripping of finish.
- 80 Grit Brush:** Medium aggressive grit brush. Good all-around brush for medium to heavy buildup removal. Can also be used for general stripping operations.
- 180 Grit Brush:** Least aggressive grit brush. Used for daily cleaning of hard-finished floors.
- Polypropylene Brush:** Standard equipment brush. Low cost, yet effective in cleaning many common floor surfaces.
- Stiff Nylon Brush:** Cleaning action similar to polypropylene. More durable and wear-resistant than polypropylene.
- Soft Nylon Brush:** Least aggressive brush available. Used on soft-finish floors where a more aggressive brush would leave scratch marks, or in applications requiring very light cleaning.

**BR 850S BRUSHES**

- 56407473 - Soft Nylon
- 56407474 - Hard Nylon
- 56407475 - Prolene
- 56407476 - 180 Grit
- 56407477 - 80 Grit
- 56407478 - 46 Grit

**BR 950S BRUSHES**

- 56314778 - Soft Nylon
- 56314779 - Hard Nylon
- 56314780 - Prolene
- 56314781 - 180 Grit
- 56314782 - 80 Grit
- 56314783 - 46 Grit

**BR 1050S BRUSHES**

- 56410294 - Soft Nylon
- 56410295 - Hard Nylon
- 56410293 - Prolene
- 56410296 - 180 Grit
- 56410297 - 80 Grit
- 56410298 - 46 Grit

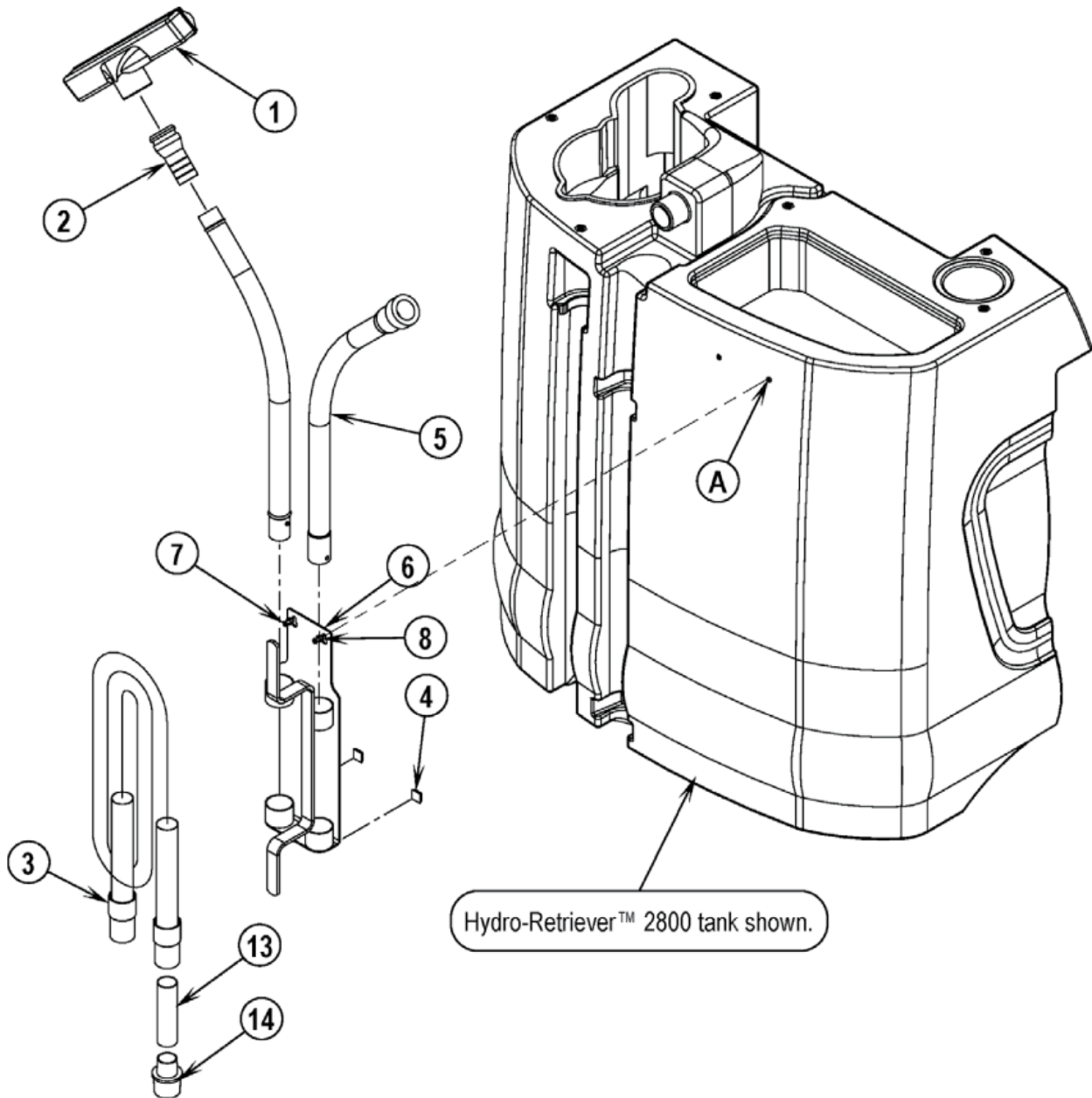
**CYLINDRICAL BRUSH APPLICATION GUIDE (SUGGESTION ONLY)**

Application	46 Grit	80 Grit	180 Grit	Polypropylene	Stiff Nylon	Soft Nylon
<b>Stripping:</b>						
Concrete	X	X				
Terrazzo	X	X				
Ceramic/Quarry tile		X				
Vinyl tile		X				
<b>General Scrubbing:</b>						
Concrete	X	X	X	X	X	
Terrazzo			X	X	X	X
Ceramic/Quarry tile			X	X	X	X
Marble			X		X	X
Vinyl tile			X	X	X	X
Raised-rubber tile			X			X

Pos.	Artikel-Nr.	Menge	Variante	Notes
01	56407473	1	Bürstenwalze Nylon weich, gelb	
02	56407474	1	Bürstenwalze Nylon hart, Naturborsten	
03	56407475	1	Bürstenwalze PP, rot	
04	56407476	1	Bürstenwalze Mid Grit 180, mittel	
05	56407477	1	Bürstenwalze Dyna Grit 80, hart	
06	56407478	1	Bürstenwalze Grit 46, sehr hart	
11	56314778	1	Bürstenwalze Nylon, weich, gelb	
12	56314779	1	Bürstenwalze Nylon, hart, Naturborsten	
13	56314780	1	Bürstenwalze PP, rot	
14	56314781	1	Bürstenwalze Mid Grit 180, blau/grau	
15	56314782	1	Bürstenwalze Dyna 80, schwarz	
16	56314783	1	Bürstenwalze Magna 46, orange/braun	
21	56410294	1	Bürstenwalze Nylon, weich, gelb	
22	56410295	1	Bürstenwalze Nylon, hart, Naturborsten	
23	56410293	1	Bürstenwalze PP, Standard, rot	
24	56410296	1	Bürstenwalze Grit 180, blau/grau	
25	56410297	1	Bürstenwalze Grit 80, schwarz	[1]
26	56410298	1	Bürstenwalze Grit 46, orange/braun	[2]

## Part Notes:

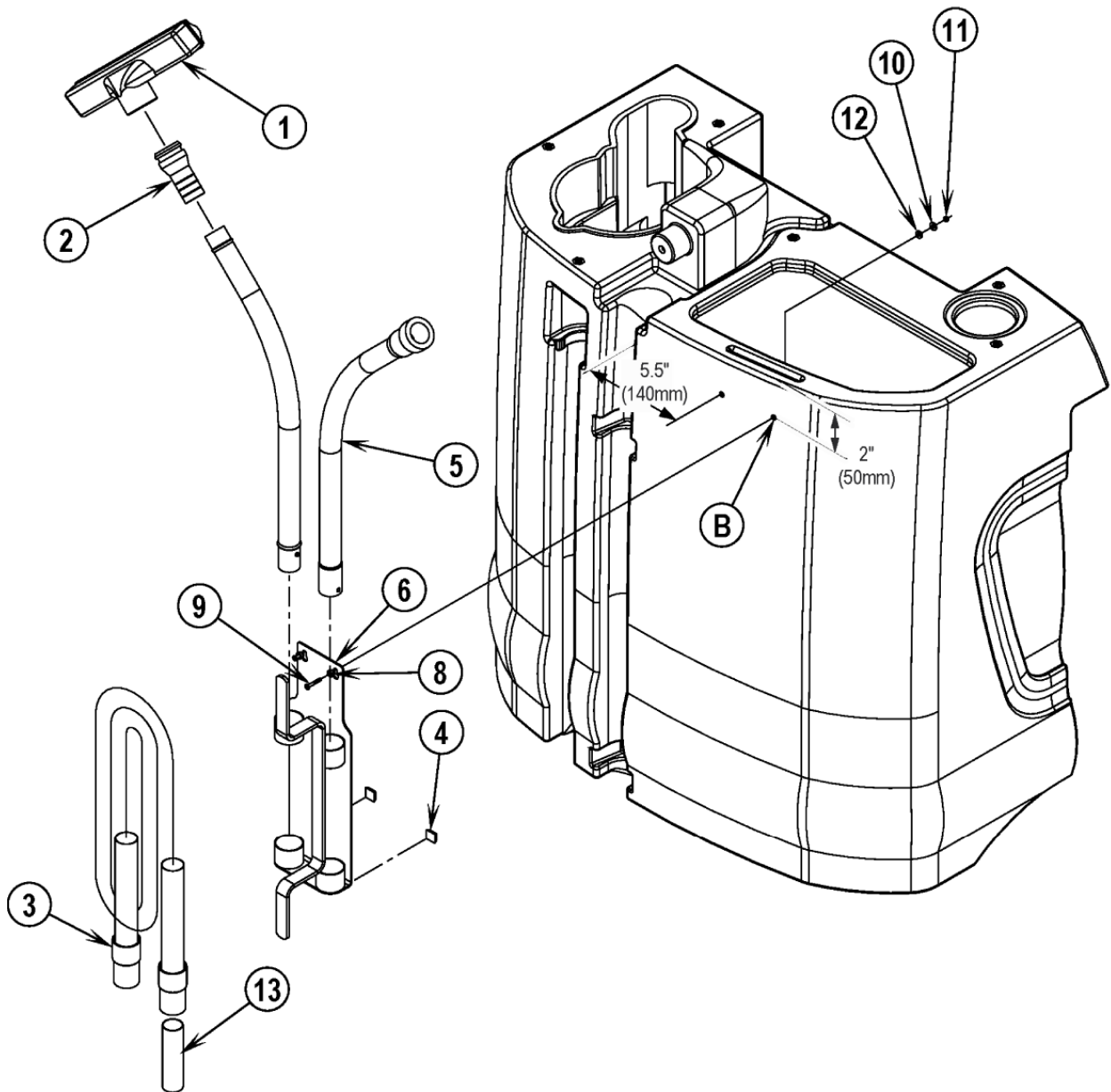
- [1] - EXPIRED ON 4/13/2020  
 [2] - EXPIRED ON 8/06/2020



Pos.	Artikel-Nr.	Menge	Variante	Notes
00	56412223	1	Handabsaugung	[1]
01	56205114	1	Saugleiste	
02	56301339	1	1.5 COUPLER	[2]
03	56329062	1	Schlauch 1.50	[3]
04	56402940	2	Bumper .812 SQ CR6	[3]
05	56409563	1	SAUGROHRE BR 1000 (2 ST.)	[4]
06	56412227	1	Halterung f. Handsaugset	[3]
07	56002124	2	Schraube10-24 X .62 PNH PH.	
08	56412310	2	BUSHING STEPPED	
13	56204536	1	Erweiterung HP63	

## Part Notes:

- [1] - EXPIRED ON 12/20/2022
- [2] - EXPIRED ON 09/19/2022
- [3] - GUARANTEE DATE EXPIRED
- [4] - NO LONGER AVAILABLE

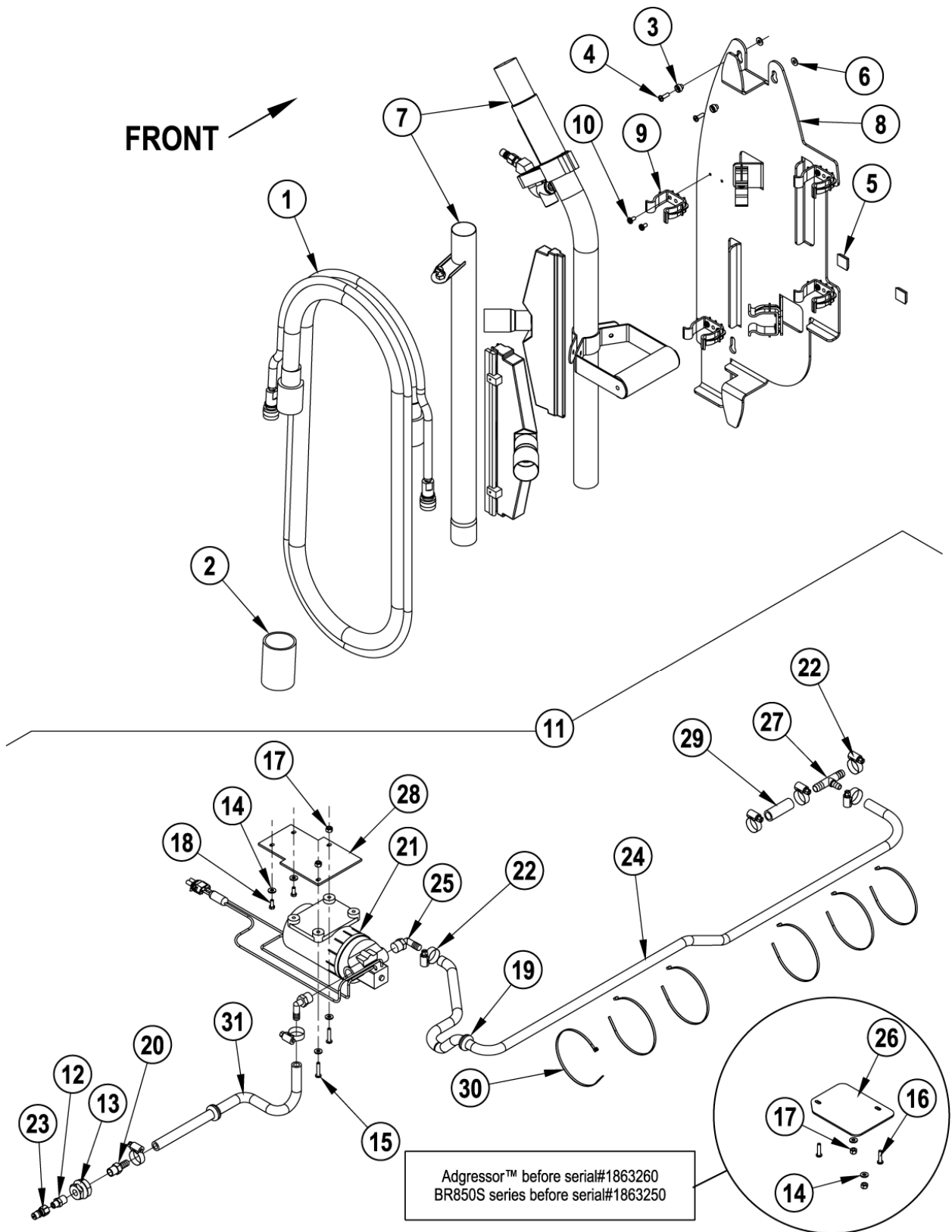




Pos.	Artikel-Nr.	Menge	Variante	Notes
00	56412223	1	Handabsaugung	[1]
01	56205114	1	Saugleiste	
02	56301339	1	1.5 COUPLER	[2]
03	56329062	1	Schlauch 1.50	[3]
04	56402940	2	Bumper .812 SQ CR6	[3]
05	56409563	1	SAUGROHRE BR 1000 (2 ST.)	[4]
06	56412227	1	Halterung f. Handsaugset	[3]
08	56412310	2	BUSHING STEPPED	
09	56003286	2	SCR PAN PHIL SS 10-24 X1.25	[3]
10	56009205	2	U-Scheibe	
11	56002836	2	NUT HEX NY LOC SS 10-24	
12	56412315	2		[5]
13	56204536	1	Erweiterung HP63	

## Part Notes:

- [1] - EXPIRED ON 12/20/2022
- [2] - EXPIRED ON 09/19/2022
- [3] - GUARANTEE DATE EXPIRED
- [4] - NO LONGER AVAILABLE
- [5] - #10



Pos.	Artikel-Nr.	Menge	Variante	Notes
00	56314308	1	Hand-Sprüh-Saugset	[1]
1	56220035	1	Sprüh-Saugschlauch	
2	56314399	1	Kupplung	[2]
3	56412310	2	BUSHING STEPPED	
4	56002124	2	Schraube10-24 X .62 PNH PH.	
5	56402940	2	Bumper .812 SQ CR6	[3]
6	56009205	2	U-Scheibe	
7	56314402	1	Handsaugset	
8	56314403	1	CADDY	[4]
9	56407361	6	Plastikklammer zu BR 850	[4]
10	56009029	12	SCR PANPHIL THD FORM10-24	[4]
11	56314309	1	Pumpenkit BR 600S-1050S	[5]
12	56220074	1	Nippel	
13	56745543	1	Adapter	
14	56001954	6	WSH FLT SAE 10	
15	56002674	2	SCR PAN HD PHIL 10-24X1.0	
16	56002733	2	002733N PHIL 10-24 X .88	
17	56002768	4	1/4-20 NYLOC NUT	
18	56009039	2	SCHRAUBE 1/4-20X1-1/2	
19	56052338	2	Durchführungstülle	
20	56155640	1	ANSCHLUSS	
21	56212014	1	Pumpe 36 V BR 600-800	
22	56219932	7	Briede	
23	56220055	1	Schlauchnippel BR 700S	
24	56314432	1	HOSE SPIRAL .375 X 63.00	[2]
25	56900035	2	Winkel 3/8x3/8 NPTzu BA 800	
26	56314644	1	ADAPTER PLATE	
27	56315335	1	TEE BARB	[2]
28	56316560	1	PLATE PUMP	[2]
29	56396330	1	HOSE PVC .500X2.00 E00199	[6]
30	56478523	6	Kabelbinder	
31	56755327	1	TUBE VINYL 14.00L E00603	[2]

## Part Notes:

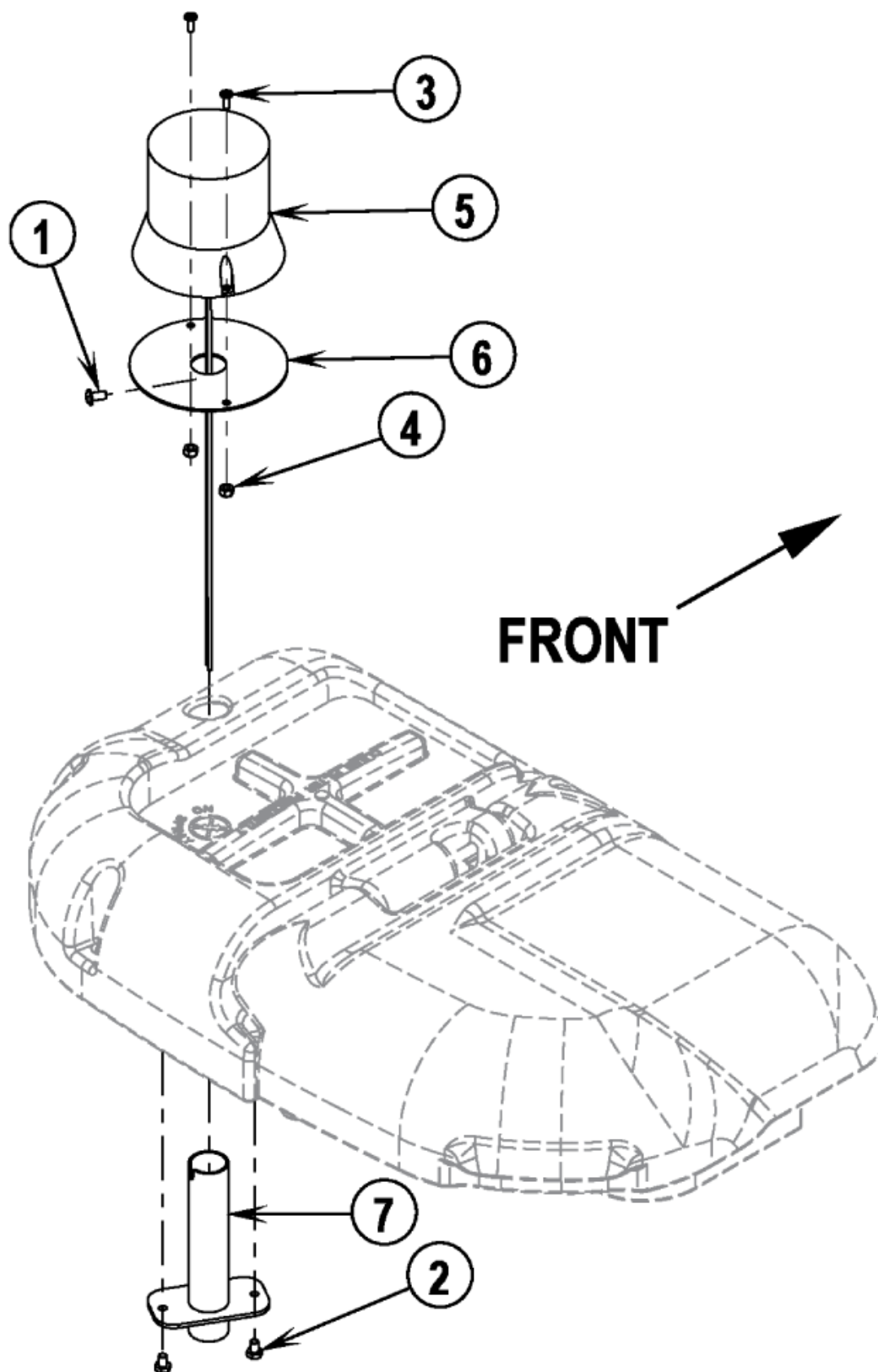
- [1] - IS56040783. Scrub-n-vac tool kit. PN- 56314308  
 [2] - GUARANTEE DATE EXPIRED  
 [3] - GUARANTEE DATE EXPIRED
- Items (5, 8, 9 10) are pre-assembled
- [4] - Items (5, 8, 9 10) are pre-assembled  
 [5] - ACC. FOR OBSOLETE MACHINE  
 [6] - NO LONGER AVAILABLE



Pos.	Artikel-Nr.	Menge	Variante	Notes
00	146 2112 000	1	Einbauladegerät 36V-25A 230V	[1]
01	56002768	6	1/4-20 NYLOC NUT	
02	56002840	2	Nut 1/4 20	
03	56412310	3	BUSHING STEPPED	
04	56001993	6	SCR PAN HD PHIL 10-24X.50	
05	56002124	3	Schraube10-24 X .62 PNH PH.	
06	56002825	2	SCR PAN PHIL 1/4-20 X 1.2	
07	146 2113 000	1	Einbauladegerät 36V-25A 230V	[2]
08	146 2110 000	1	BRACKET BATT.CHARGER	[3]
09	56380253	1	DECAL OPEN WHEN CHARGING	[2]

## Part Notes:

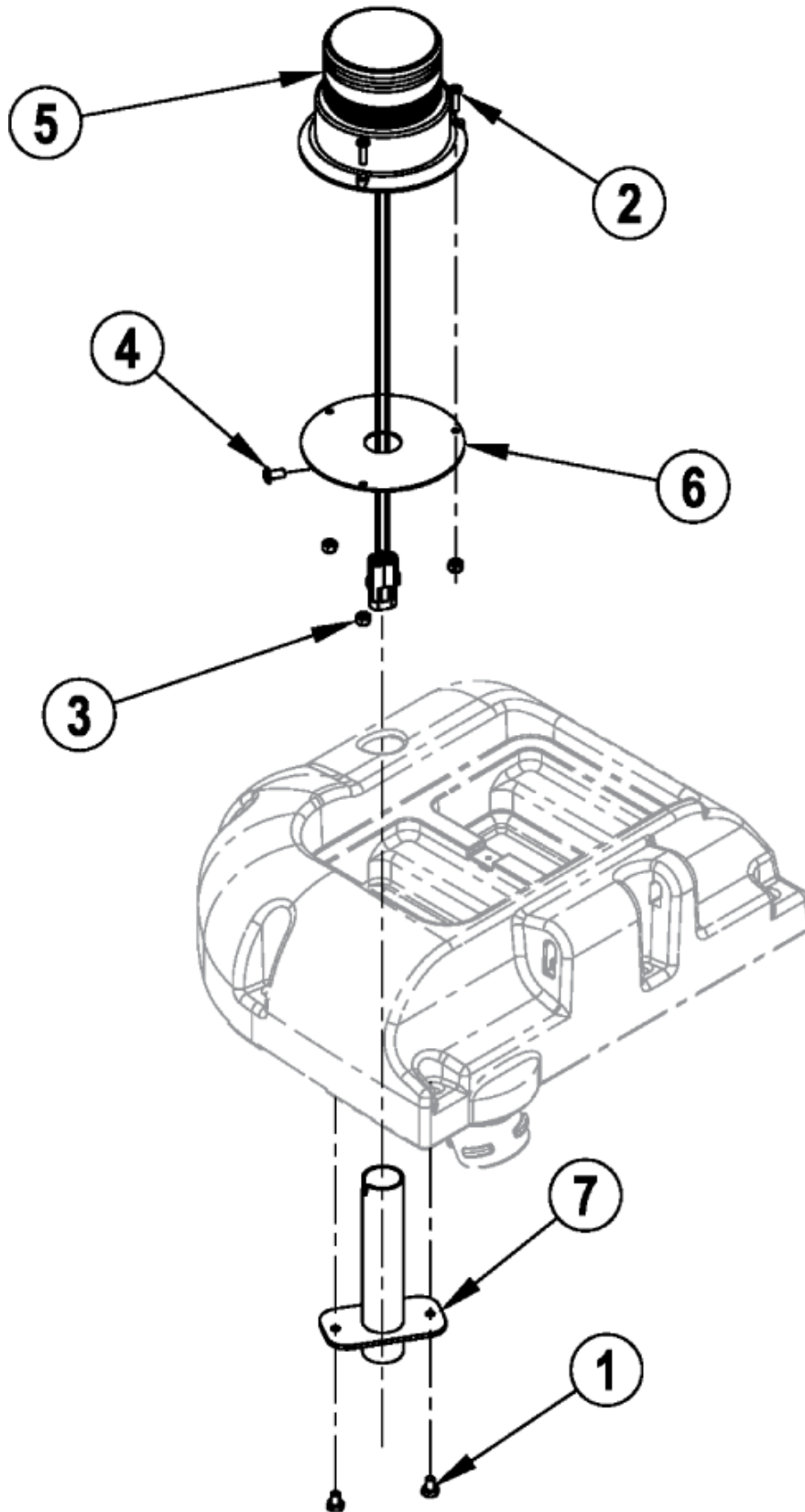
- [1] - All items except 3 and 5 are pre-assembled.
- [2] - GUARANTEE DATE EXPIRED
- [3] - NOT FOR SALE VIA EDC



Pos.	Artikel-Nr.	Menge	Variante	Notes
00	56314302	1	Rundumleuchte	
1	56003119	1	SCR PAN PHIL SS 1/4 20 X .50.	
2	56001861	2	SCR HEX HD 1/4-20 X.38	
3	56001993	2	SCR PAN HD PHIL 10-24X.50	
4	56002768	2	1/4-20 NYLOC NUT	
5	56314302	1	Rundumleuchte	
6	56314287	1	PLATE WELDMENT	[1]
7	56314288	1	TUBE WELDMENT	[1]

## Part Notes:

[1] - GUARANTEE DATE EXPIRED





Pos.	Artikel-Nr.	Menge	Variante	Notes
00	56314302	1	Rundumleuchte	
01	56001861	2	SCR HEX HD 1/4-20 X.38	
02	56002192	3	SCR PAN HD PHIL 10-24X.75	
03	56002768	3	1/4-20 NYLOC NUT	
04	56003119	1	SCR PAN PHIL SS 1/4 20 X .50.	
05	56394446	1	AMBER LED STROBE ASSEMBLY	
06	56314287	1	PLATE WELDMENT	[1]
07	56314288	1	TUBE WELDMENT	[1]

## Part Notes:

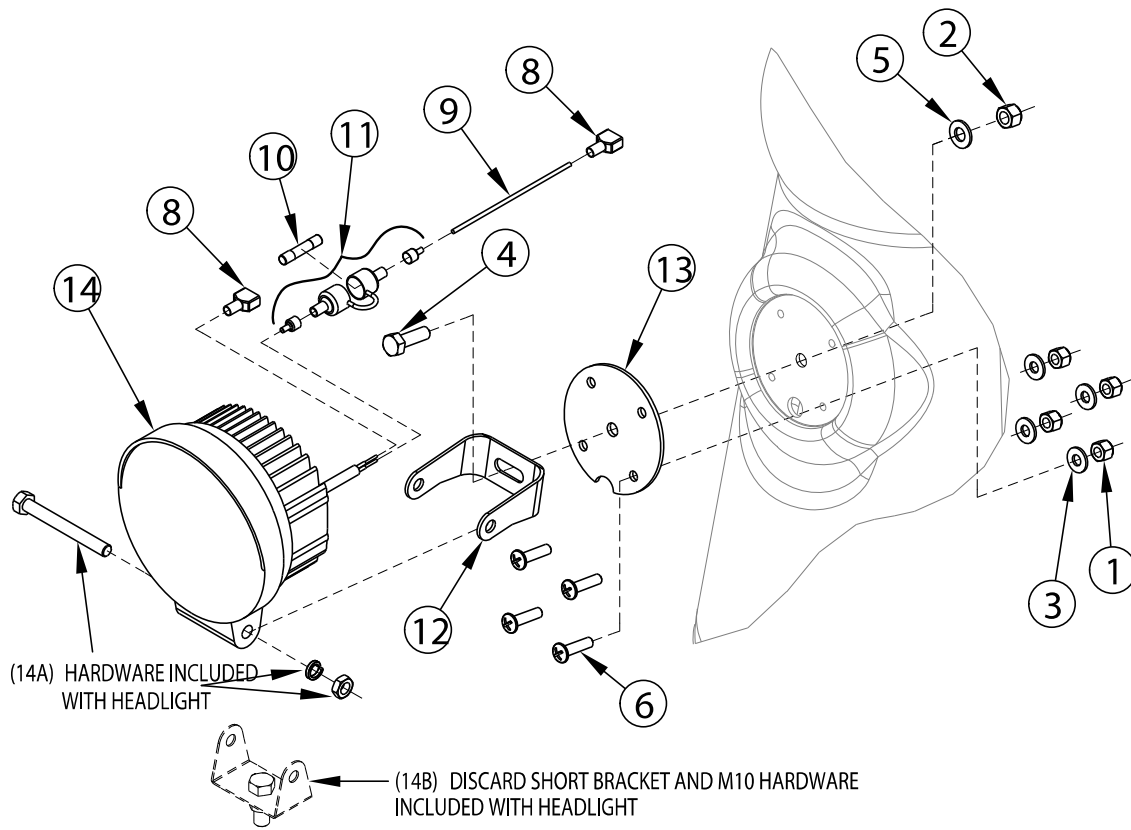
[1] - GUARANTEE DATE EXPIRED



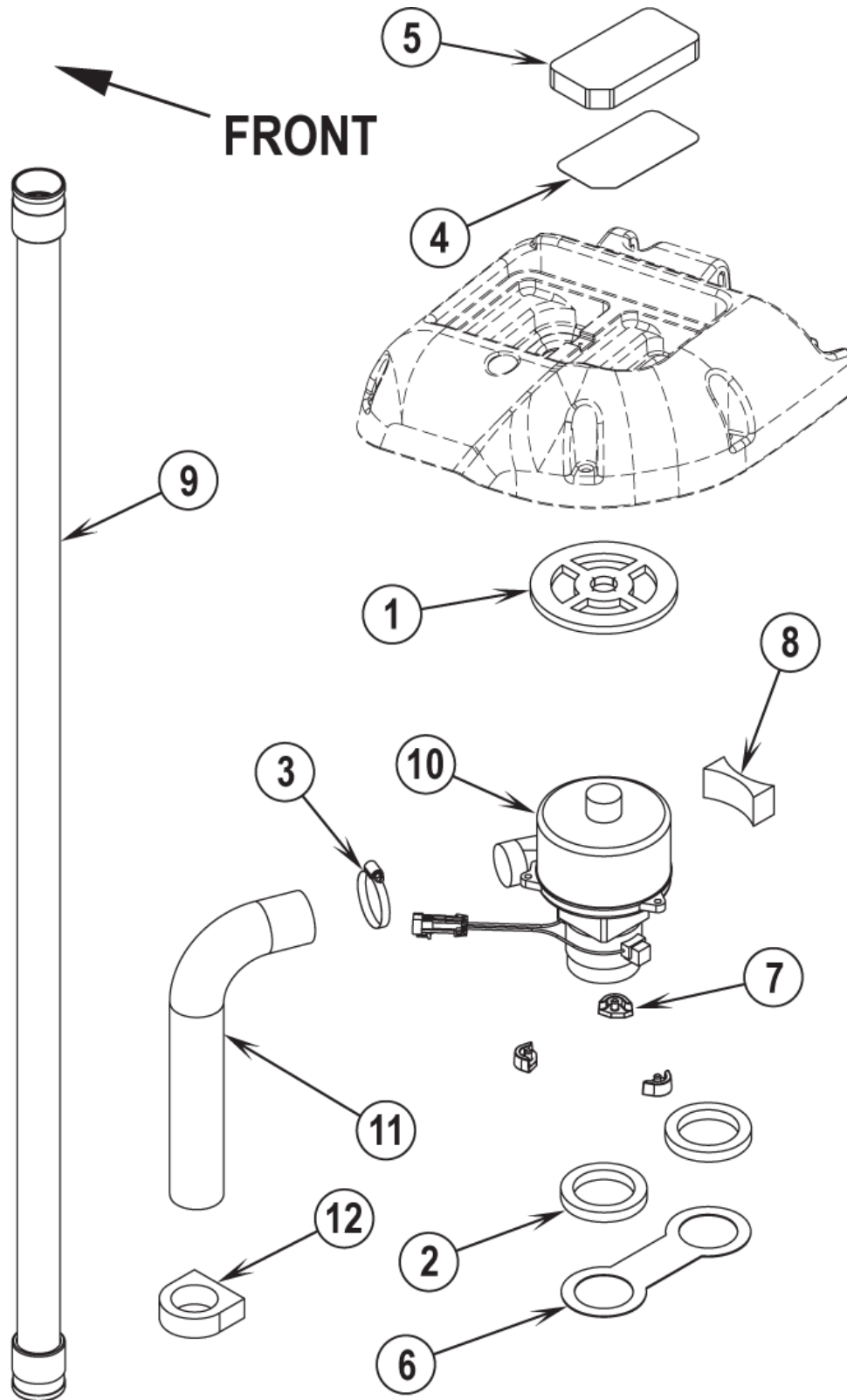
Pos.	Artikel-Nr.	Menge	Variante	Notes
	56314306	0	Seitenbesen, rechts	
01	56001939	6	Flachdichtung 5/16	
02	56001993	2	SCR PAN HD PHIL 10-24X.50	[1]
03	56002066	4	Schraube	
04	56002098	4	Scheibe SAE 1/4	[1]
05	56002119	1	Schraube 1/4-20x50zu BR 1000	[1]
06	56002155	4	SCR HEX 1/4-20 X .75	[1]
07	56002691	1	SCR HEX 5/16-18 X 5.50	[2]
08	56002701	1	MUTTER 5-16-18 HEX JAM	
09	56002769	1	Stopmutter 3/8-16	[3]
10	56002933	4	LOC SCREW 1/4-20 X 3/8	[1]
11	56003312	1	Stopmutter M12 1.75	
12	56003389	6	MutterHEX NYL LOC M8-1.25	
13	56003416	6	SCR HEX M8-1.25 X 30MM	
14	56003418	1	SCR HEX M12-1.75x30mm	
15	56009252	1	Flügelmutter SS 3/8 - 16	[3]
16	56185264	3	Lager	
17	56228052	2	Buchse	
18	56324310	1	NUT PLATE	[1]
19	56372088	1	Schalter	[1]
20	56378534	1	Knob 1.12 x 3/8-16	[3]
21	56314095	1	Bürstenhalter BR 1050	[1]
22	56314167	1	Träger f. Seitenbesen	[1]
23	56314174	1	PIVOT WELDMENT	
24	56314178	1	Träger	
25	56314190	1	BRACKET LIFT	
26	56314194	1	BAR LIFT	[3]
27	56314198	1	ROD LIFT	[3]
28	56469530	1	Winkelgetriebe BR 1000	[1]
29	145 1899 000	1	Seitenbesen PP 0,7 180x400 mm	[1]
30	56314259	1	HARNESS SIDEBROOM	
31	56478246	1	CABLE TIE E00549 RE438BA	
32	56316315	1	Ansatzstück	[4]
33	56316335	1	Haltewinkel	[4]
34	56003716	1	WSH-FLT SS .344 X 1.500 X .08	

## Part Notes:

- [1] - NOTE 2
- [2] - GUARANTEE DATE EXPIRED
- [3] - NOTE 1
- [4] - NOTE 3



Pos.	Artikel-Nr.	Menge	Variante	Notes
	56314313	1	Frontlicht	
1		4	Nut-Hex Nyl Loc SS 1/4-20	
2		1	Nut-Hex Nyl Loc SS 5/16-18	
3		4	Wsh-Flt SAE SS 1/4	
4		1	Scr- Hex SS 5/16-18 X 1.00	
5		1	Wsh-Flt SAE SS 5/16	
6		4	Scr-Pan Phil SS 1/4-20 X 1.00	
8		2	Term .250 Ins Tab	
9		1	Wire-18awg-4 Inch	
10		1	Fuse-Inline-2A	
11		1	Holder-Fuse-Inline	
12		1	Bracket-Headlight	
13		1	Flange-Mounting	
14	56385351	1		

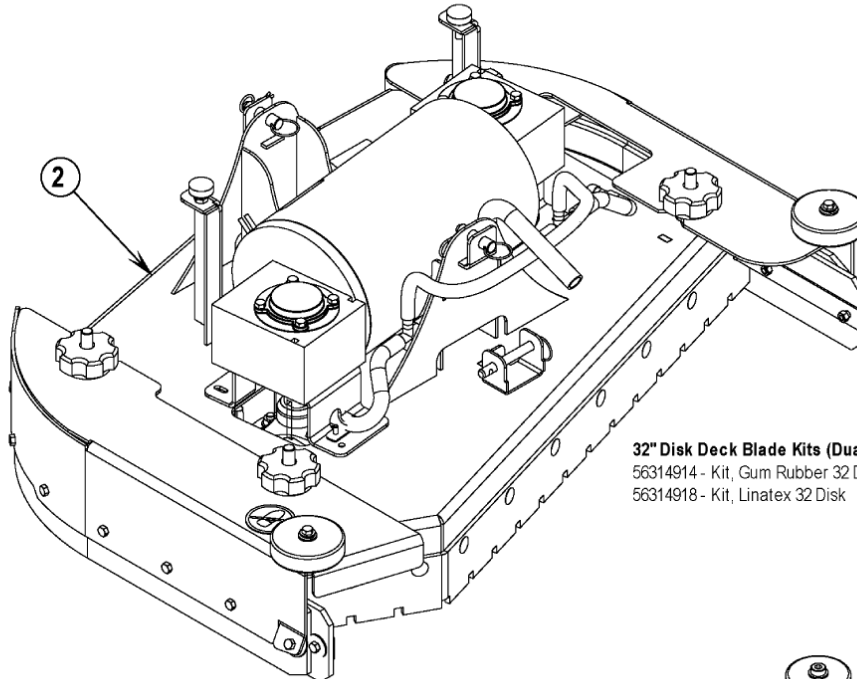


Pos.	Artikel-Nr.	Menge	Variante	Notes
	56314338	1	Zweiter Saugmotor-Set	
01	56314704	1	Gummidichtung	
02	56314760	2	Dichtung	
03	56440213	1	Schlauchbride	[1]
04	56314372	1	Filtersieb	
05	56314373	1	Filterschwamm BR 700 S	
06	56314377	1	Separator f. Motoren	[2]
07	56314484	3	Befestigung	
08	56314708	1	Abstandshalter	
09	56314535	1	Saugschlauch 2. SaugmotorBR 1050 S	
10	56397228	1	Saugturbine BR 700 S	
11	56459937	1	Saugschlauch	
12	56314761	1	Schlauchdichtung	[3]

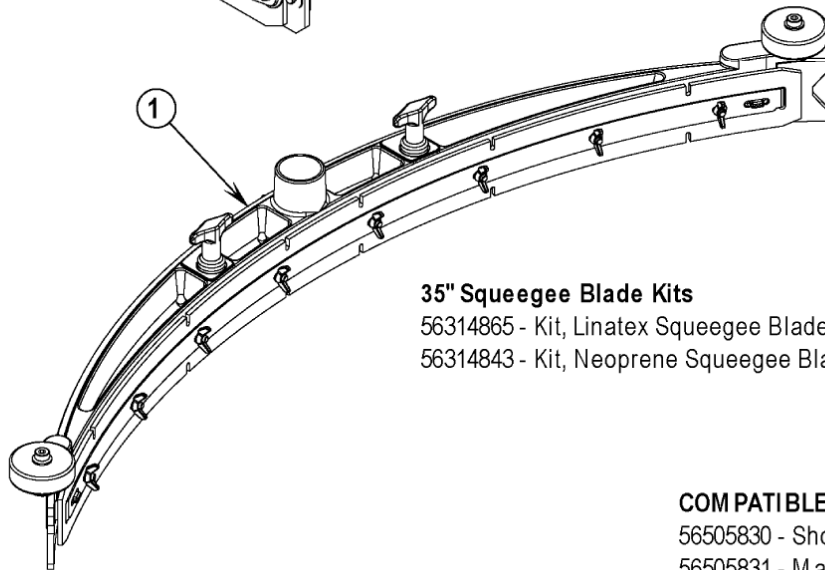
## Part Notes:

- [1] - #32
- [2] - 2 MTR
- [3] - NO LONGER AVAILABLE

**56314715 - Kit, Deck BR 850S**



**32" Disk Deck Blade Kits (Dual Blade)**  
 56314914 - Kit, Gum Rubber 32 Disk  
 56314918 - Kit, Linatex 32 Disk



**35" Squeegee Blade Kits**  
 56314865 - Kit, Linatex Squeegee Blade  
 56314843 - Kit, Neoprene Squeegee Blade

**COMPATIBLE 32" BRUSHES**

- 56505830 - Short Trim Pad Holder
- 56505831 - Magna Grit
- 56505832 - Dyna Grit
- 56505833 - AgLite Grit
- 56505834 - Prolene
- 56505835 - ProLite
- 56505836 - Union Mix
- 56505837 - MidGrit
- 56505838 - MidLite Grit

Item	Ref. No.	Qty	Description
	56314715	1	Kit, Deck BR 850S
*	56040833	1	Instruction Sheet
1	56314697	1	Squeegee Assembly
2	56314716	1	32" Disk Deck Assembly

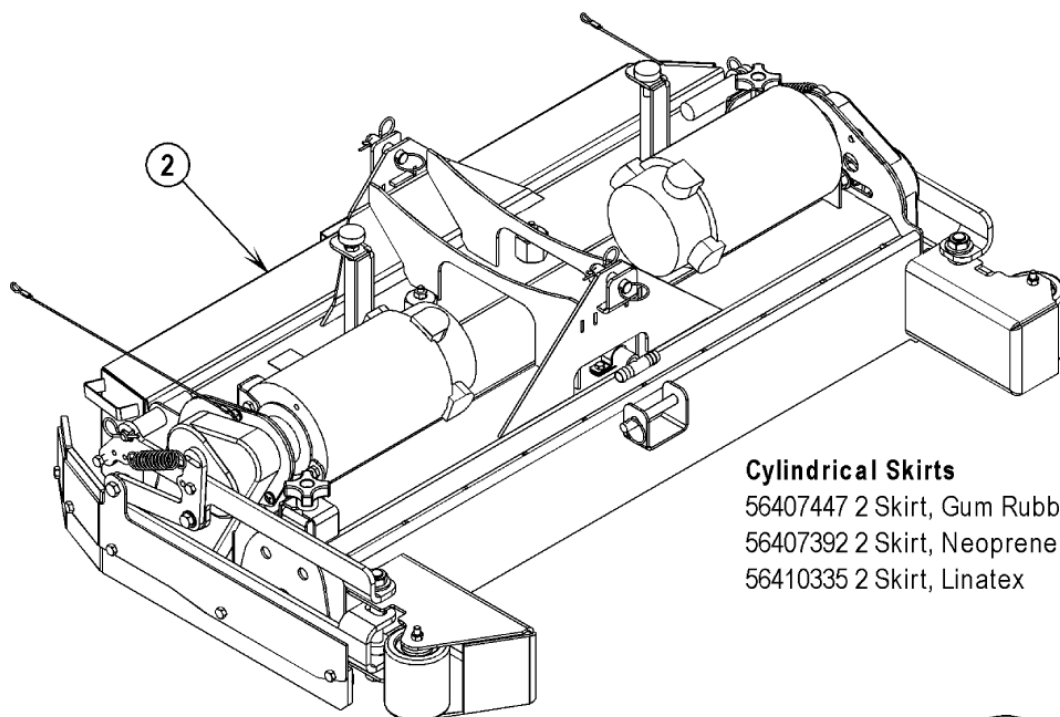


Pos.	Artikel-Nr.	Menge	Variante	Notes
	56314715	1	DECK KIT BR850S	[1]
01	56314697	1	Saugfuss kompl.BR 850/950S	
			32" Disk blade kits (dual blade)	
02	56314716	1	Bürstendeck 32	[2]
	56314914	1	Seitenschürzen-Set	
	56314918	1	Spritz Gummi-Set	
			35" Squeegee blade kits	
	56314865	1	Absaugleisten-Set, rot	
	56315856	1	Absaugleisten-Set PU	
			Compatible 32" Brushes	
	56505830	1	Padhalter 16"	
	56505831	1	Bürste Sica sehr hart, Grit 46	
	56505832	1	Bürste Sica hart, Dyna Grit 80	
	56505834	1	Bürste PPN hart	
	56505835	1	Bürste PPN weich	
	56505836	1	Bürste Union Mix	
	56505837	1	Bürste Sica mittel, Grit 240	
	56505838	1	Bürste Sica mittel, Grit 180	

## Part Notes:

- [1] - GUARANTEE DATE EXPIRED  
 [2] - EXPIRED ON 8/06/2020

## 56316525 - Kit, Deck BR 850SC

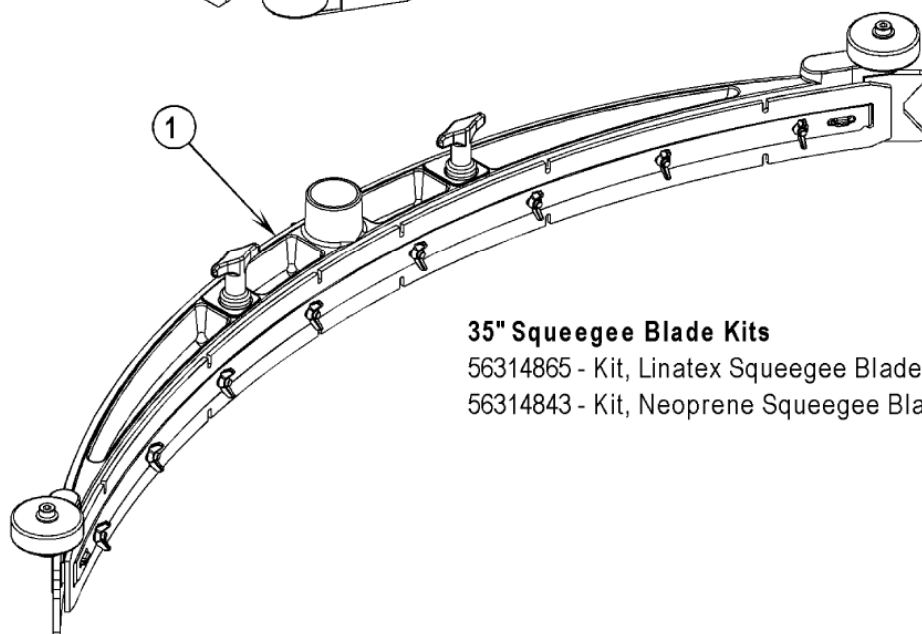


### Cylindrical Skirts

56407447 2 Skirt, Gum Rubber

56407392 2 Skirt, Neoprene

56410335 2 Skirt, Linatex



### 35" Squeegee Blade Kits

56314865 - Kit, Linatex Squeegee Blade

56314843 - Kit, Neoprene Squeegee Blade

### COMPATIBLE 32" BRUSHES

56407473 - Soft Nylon

56407474 - Hard Nylon

56407475 - Prolene

56407476 - 180 Grit

56407477 - 80 Grit

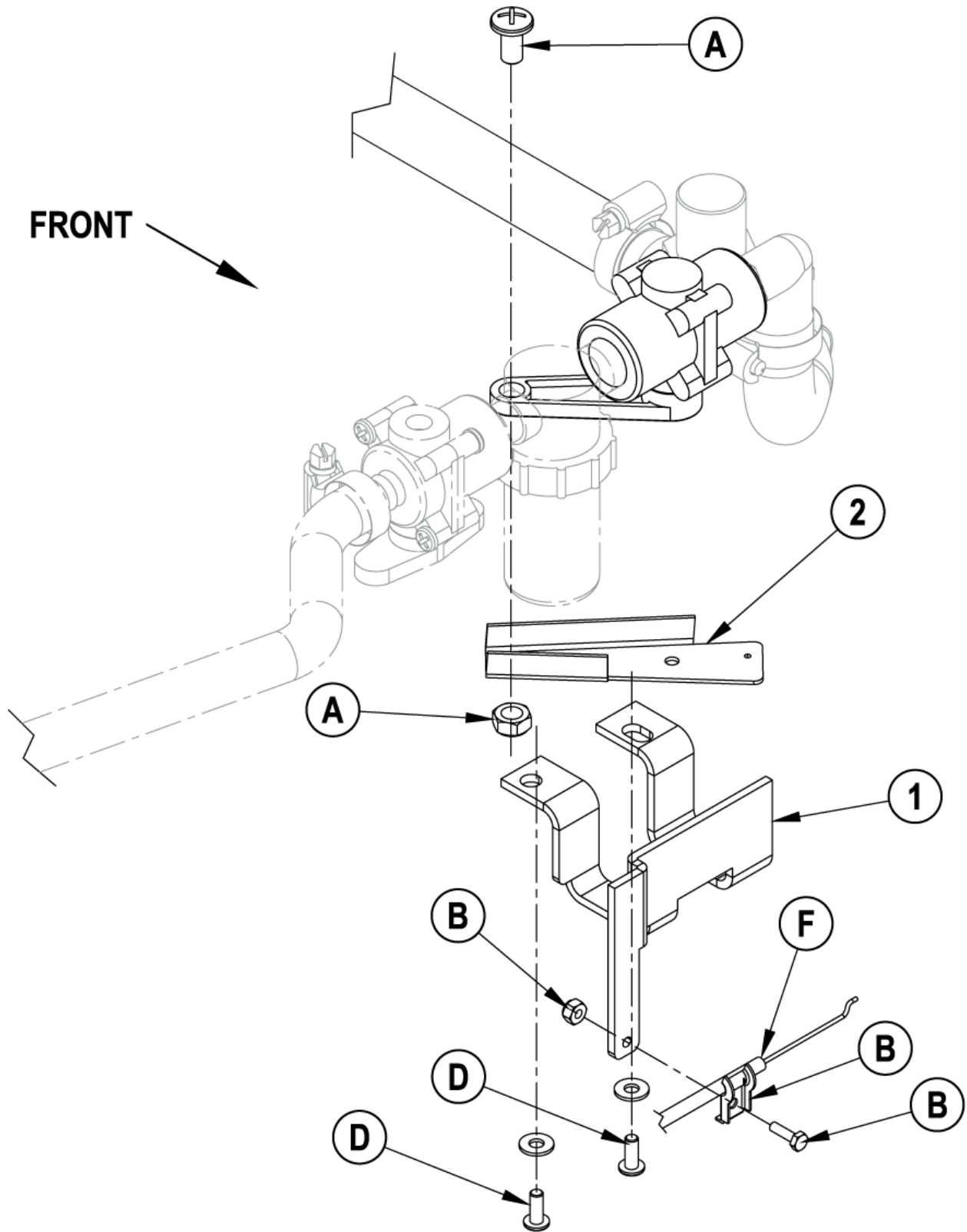
56407478 - 46 Grit

Item	Ref. No.	Qty	Description
	56316525	1	Kit, Deck BR 850SC
*	56040833	1	Instruction Sheet
1	56314697	1	Squeegee Assembly
2	56314655	1	32" Cylindrical Deck Assembly

Pos.	Artikel-Nr.	Menge	Variante	Notes
	56316525	1	DECK KIT BR850CS	[1]
01	56314697	1	Saugfuss kompl.BR 850/950S	
02	56314655	1	Zylinderdeck BR 850 SC	[2]
			Cylindrical skirts	
	56407447	1	Spritz Gummi	
	56390983	1	Seitenschürze PU	
	56410335	1	Seitengummi	
	56314865	1	Absaugleisten-Set, rot	
	56315856	1	Absaugleisten-Set PU	
			Compatible 32" Brushes	
	56407473	1	Bürstenwalze Nylon weich, gelb	
	56407474	1	Bürstenwalze Nylon hart, Naturborsten	
	56407475	1	Bürstenwalze PP, rot	
	56407476	1	Bürstenwalze Mid Grit 180, mittel	
	56407477	1	Bürstenwalze Dyna Grit 80, hart	
	56407478	1	Bürstenwalze Grit 46, sehr hart	

## Part Notes:

- [1] - PRUNED ACCESSORY  
 [2] - COMPLEXITY REDUCTION

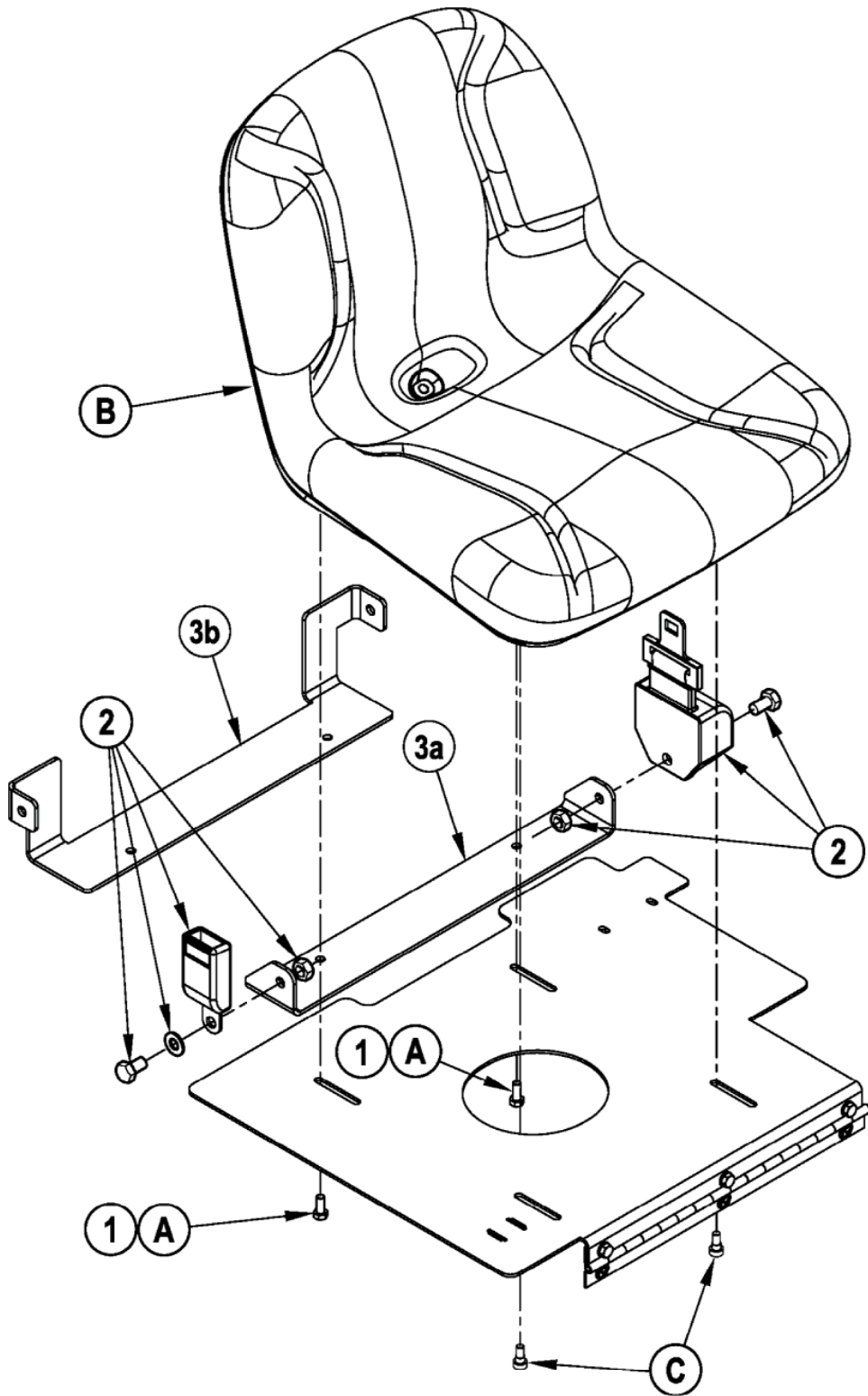


---

Pos.	Artikel-Nr.	Menge	Variante	Notes
	56314919	1	Wasserregulierkit	[1]
01	56314881	1	Klammer f. Ventil	
02	56314882	1	Halter für Wasserventil	
03	56015445	1	DECAL SOLUTION FLOW	

## Part Notes:

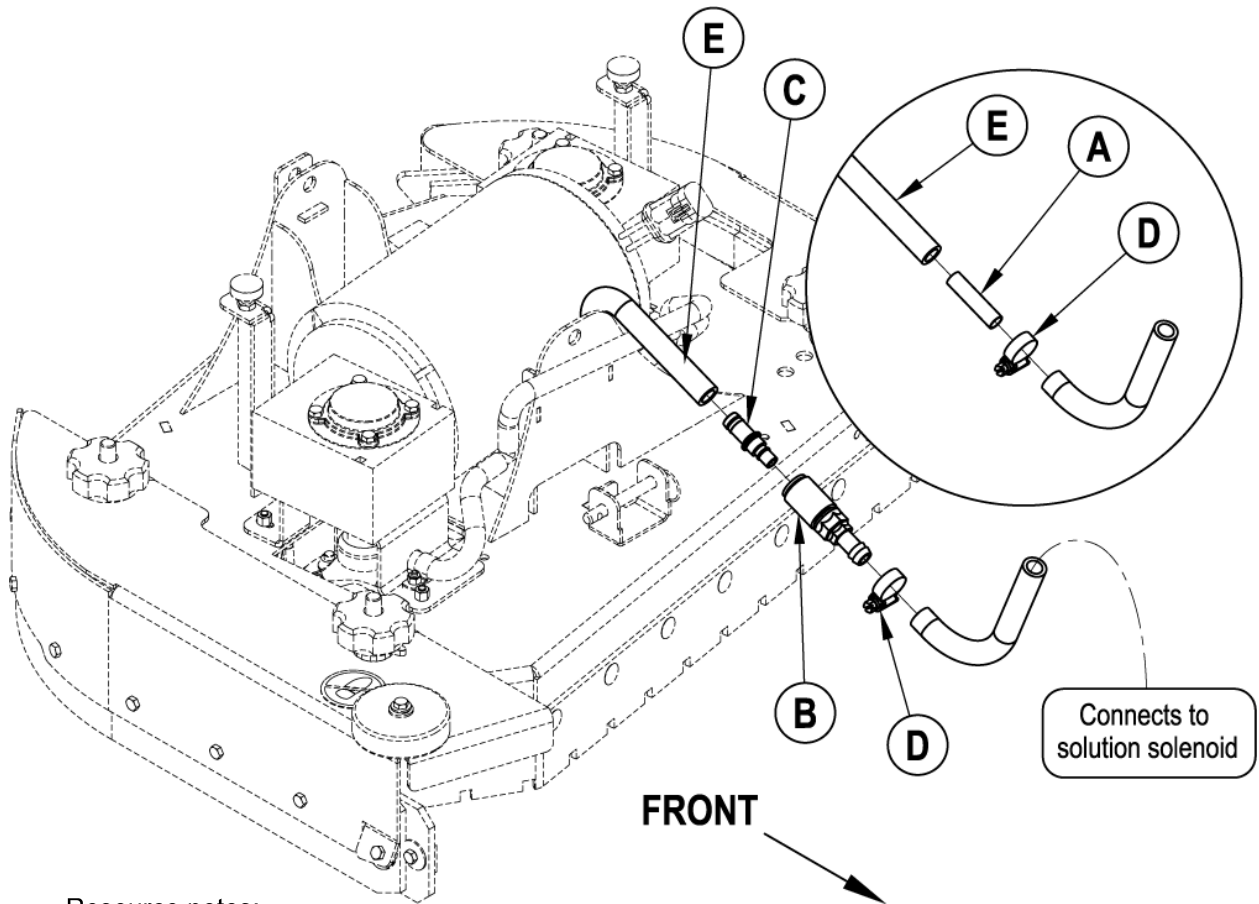
[1] - NO LONGER AVAILABLE



Pos.	Artikel-Nr.	Menge	Variante	Notes
00	56422162	1	Sicherheitsgurt	
01	56003179	2	Schraube HEX THD/HD M8-1,	
02	56314962	1	SEAT BELT KIT	[1]
03A	56422160	1	BRACKET SEAT BELT	[2]
03B	56422160	1	BRACKET SEAT BELT	[3]

## Part Notes:

- [1] - INCLUDES HARDWARE  
EXPIRED ON 7/27/2020
- [2] - FOR 56314312
- [3] - FOR 56422162



Resource notes:

Note: 28ö disk deck assembly shown, same basic procedure for all models.

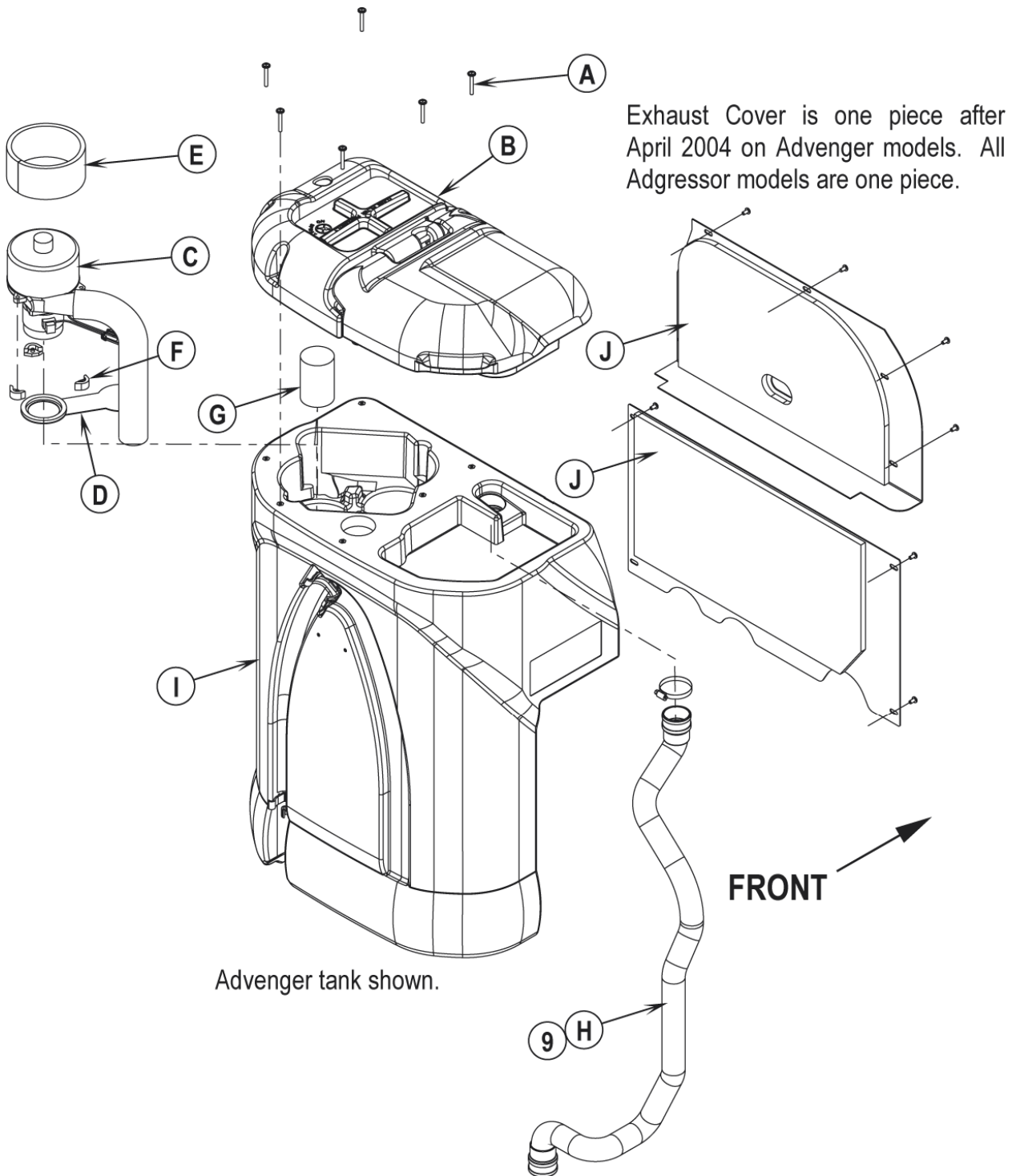


---

Pos.	Artikel-Nr.	Menge	Variante	Notes
00	56314905	1	Frischwasserablaßset	[1]
0A	56314904	1	Schlauch	

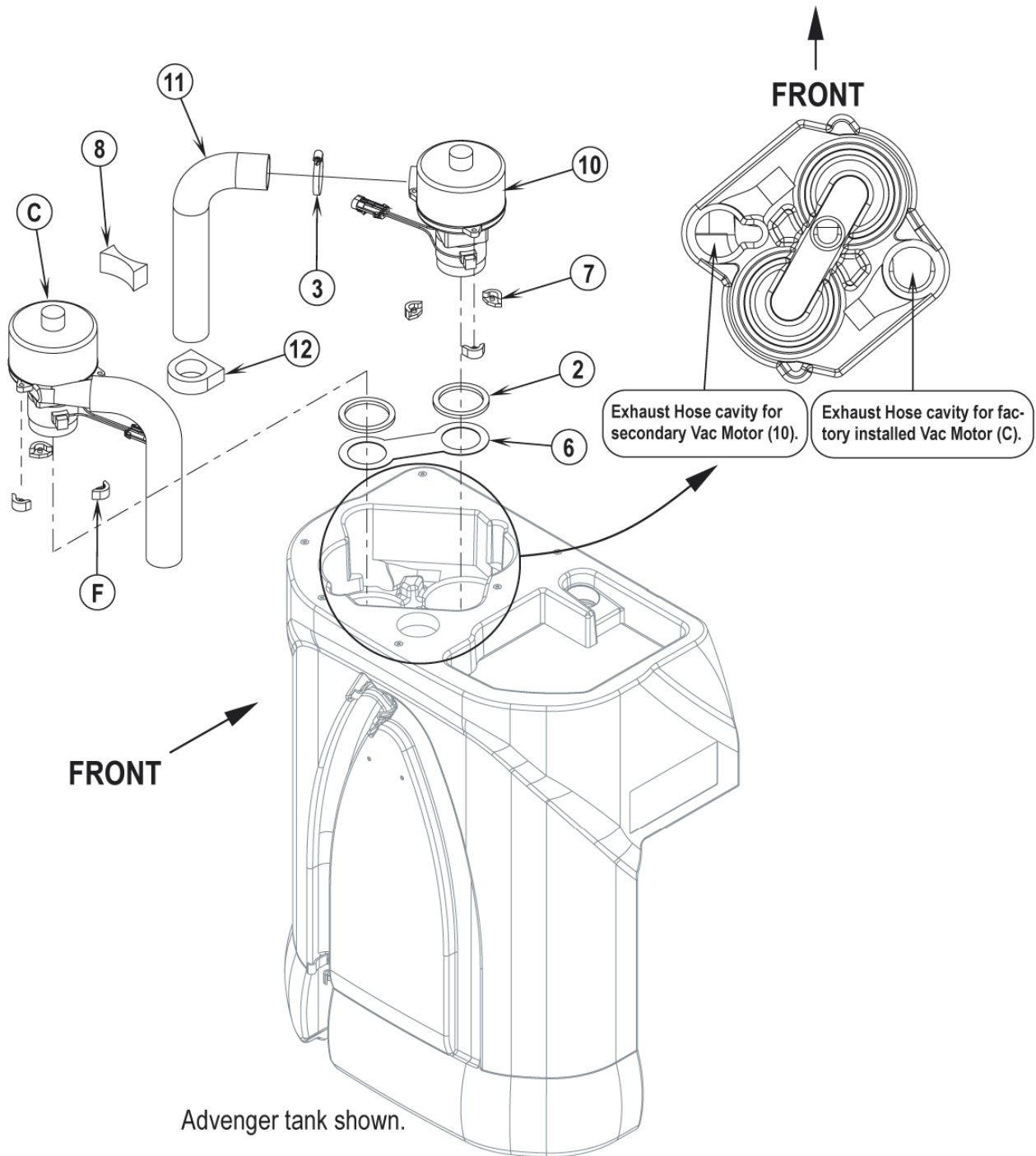
## Part Notes:

[1] - GUARANTEE DATE EXPIRED



---

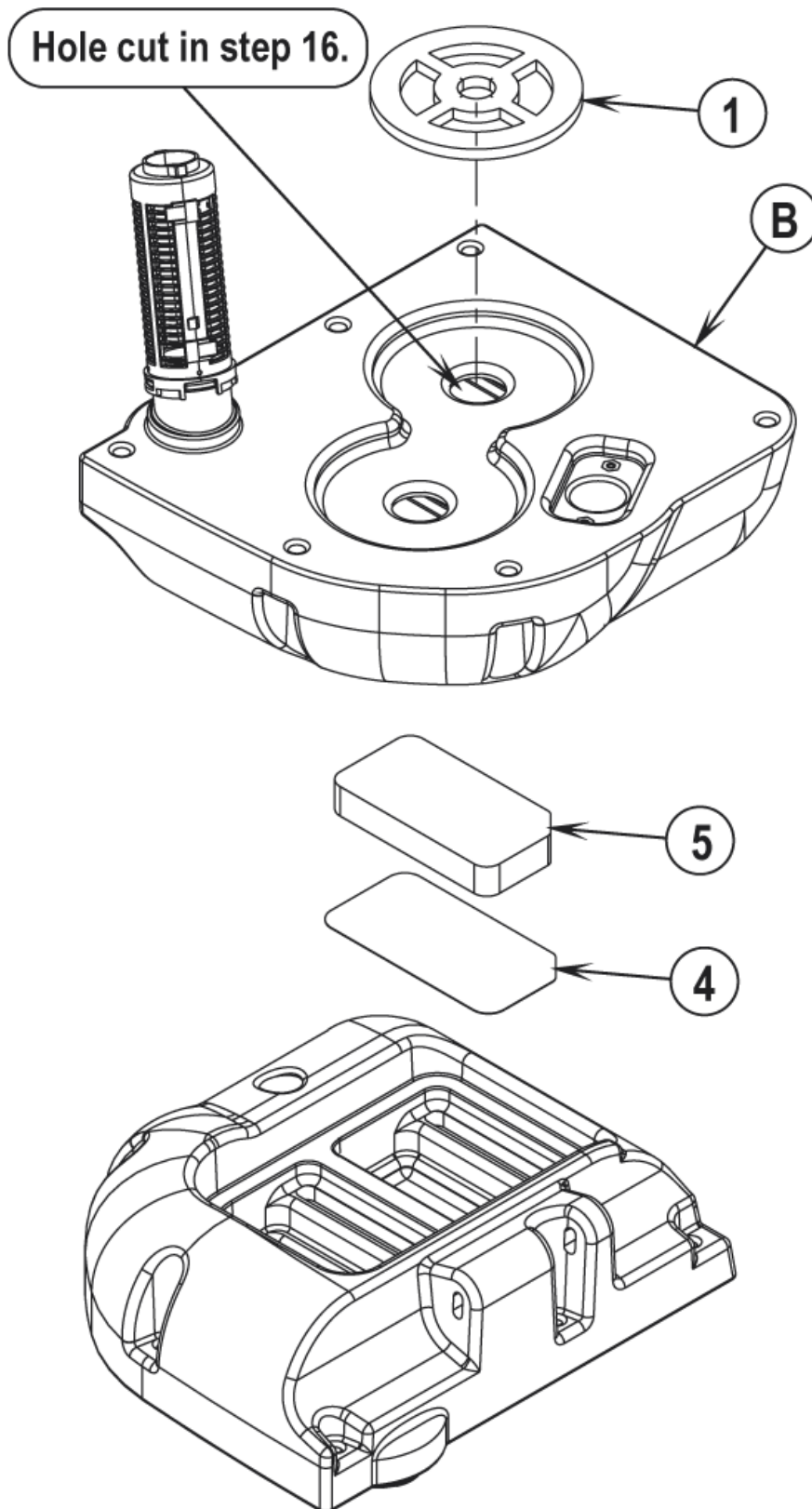
Pos.	Artikel-Nr.	Menge	Variante	Notes
09	56314535	1	Saugschlauch 2. SaugmotorBR 1050 S	



Pos.	Artikel-Nr.	Menge	Variante	Notes
01	56314704	1	Gummidichtung	
02	56314760	2	Dichtung	
03	56440213	1	Schlauchbride	
04	56314372	1	Filtersieb	
05	56314373	1	Filterschwamm BR 700 S	
06	56314377	1	Separator f. Motoren	[1]
07	56314484	3	Befestigung	
08	56314708	1	Abstandshalter	
09	56314535	1	Saugschlauch 2. SaugmotorBR 1050 S	
10	56410065	1	Saugmotor 36V	
11	56459937	1	Saugschlauch	
12	56314761	1	Schlauchdichtung	[2]
13	56316116	1	FERRITE BEAD	[3]

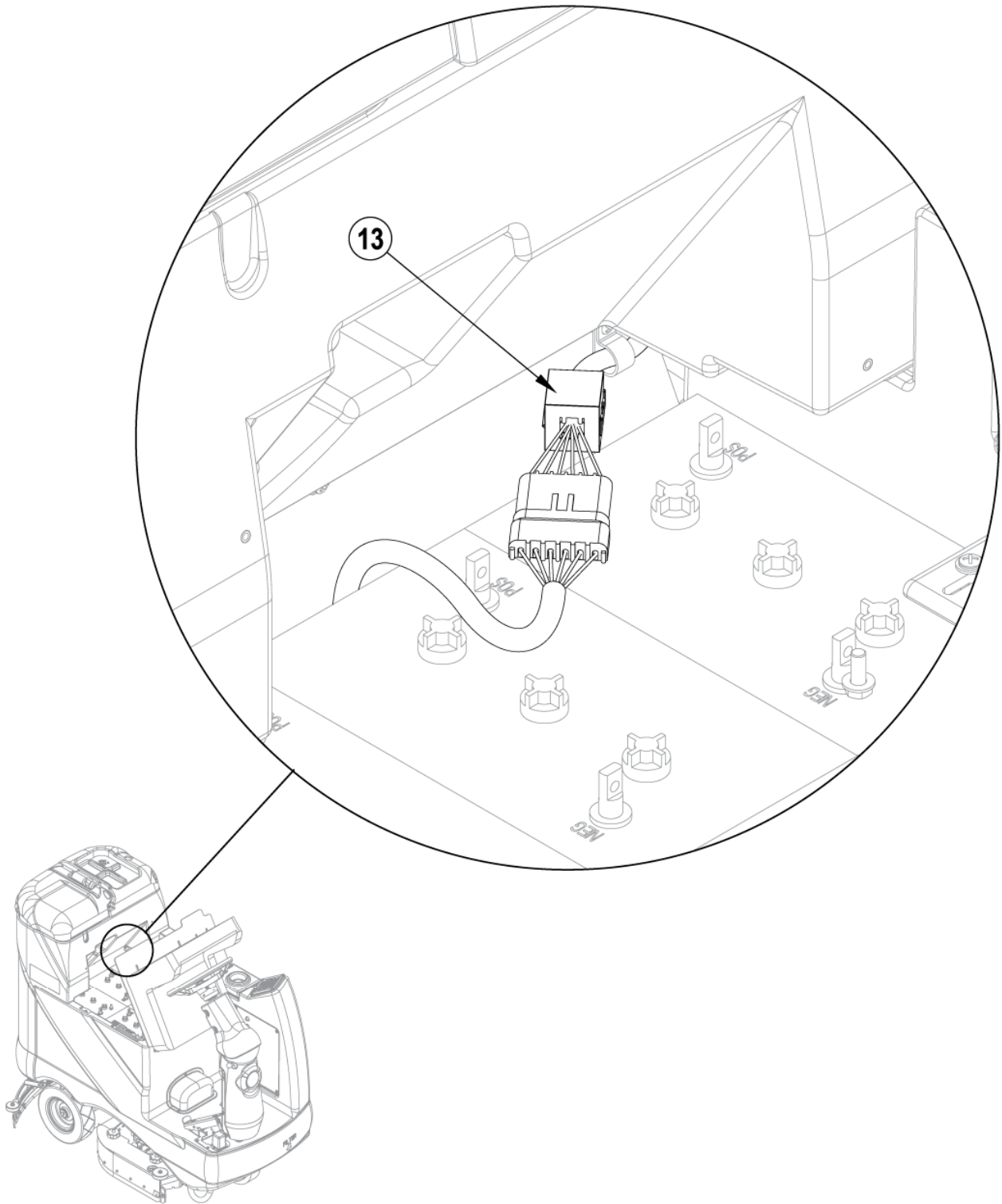
## Part Notes:

- [1] - 2 MTR
- [2] - NO LONGER AVAILABLE
- [3] - GUARANTEE DATE EXPIRED



---

Pos.	Artikel-Nr.	Menge	Variante	Notes
01	56314704	1	Gummidichtung	
04	56314372	1	Filtersieb	
05	56314373	1	Filterschwamm BR 700 S	



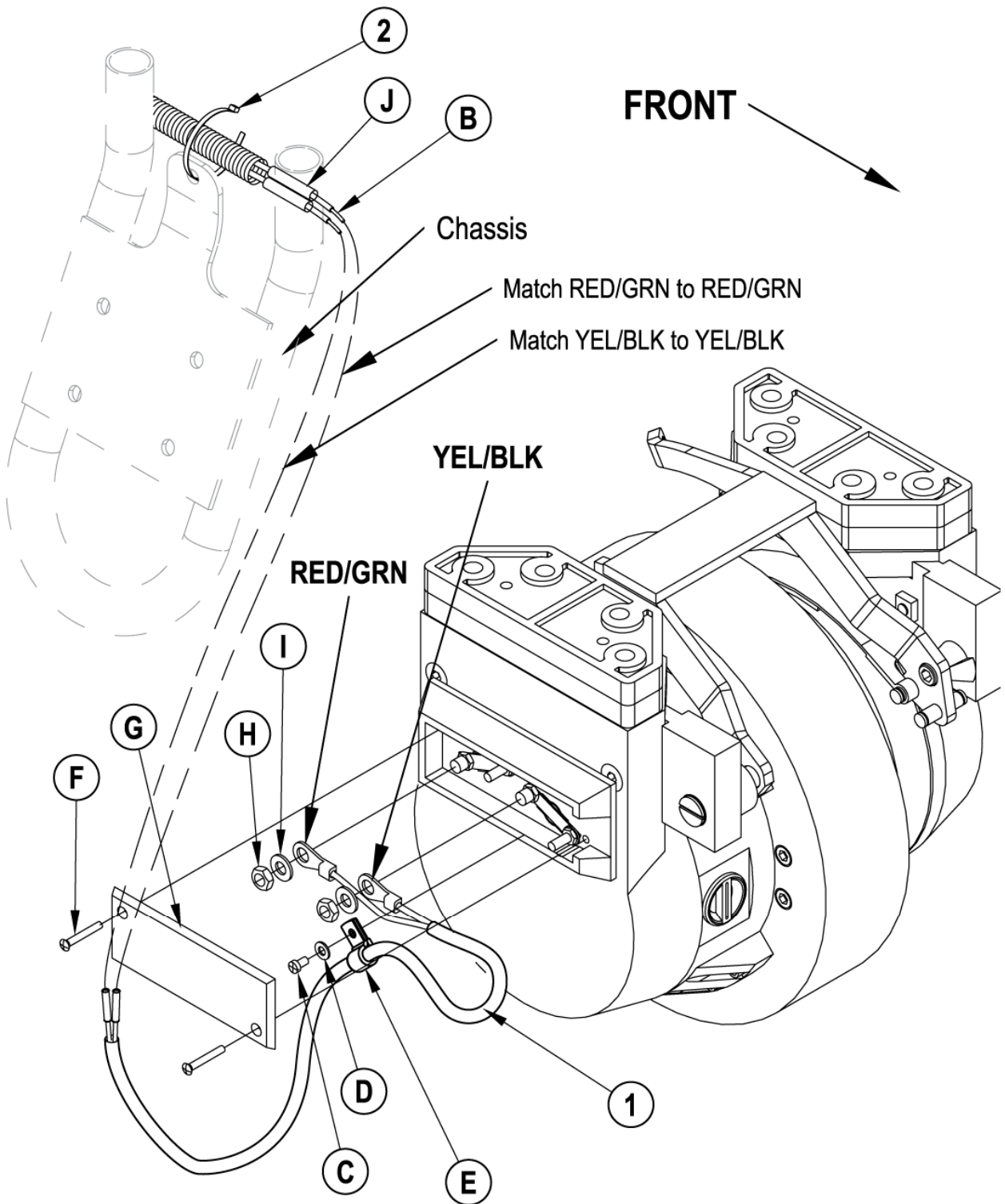


---

Pos.	Artikel-Nr.	Menge	Variante	Notes
13	56316116	1	FERRITE BEAD	[1]

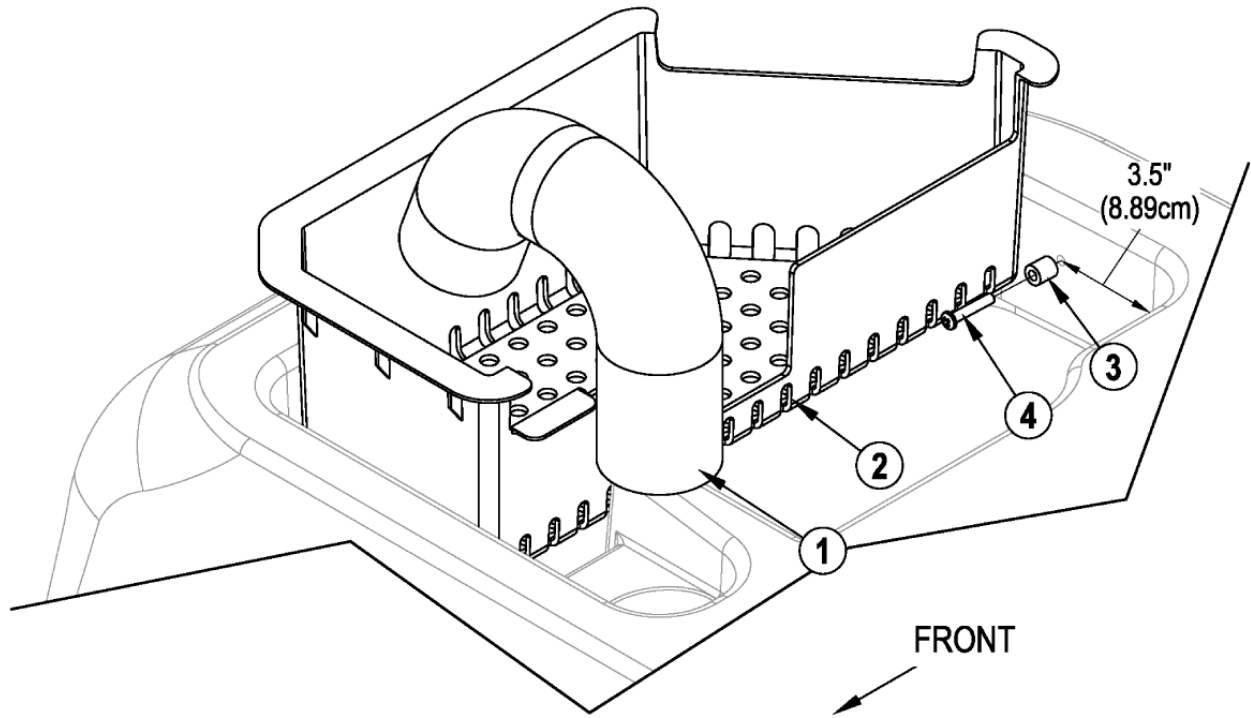
## Part Notes:

[1] - GUARANTEE DATE EXPIRED



---

Pos.	Artikel-Nr.	Menge	Variante	Notes
	56316637	1	Kabelsatz	
01	56316636	1	Kabelstrang	
02	56477613	1	Kabelbändli 7x380mm	



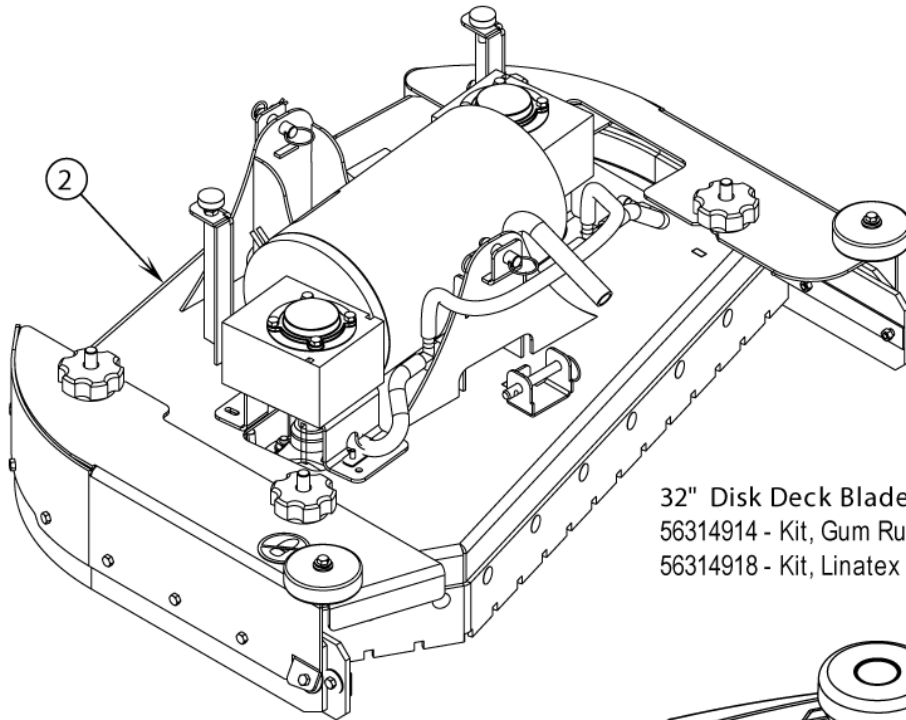
Pos.	Artikel-Nr.	Menge	Variante	Notes
	56390779	1	Grobschmutzkorbset	[1]
01	56390848	1	Schlauch geformt	
02	56109695	1	Sieb	
03	56377721	1	Abstandbuchse	[2]
04	56003202	1	Schraube	[2]

## Part Notes:

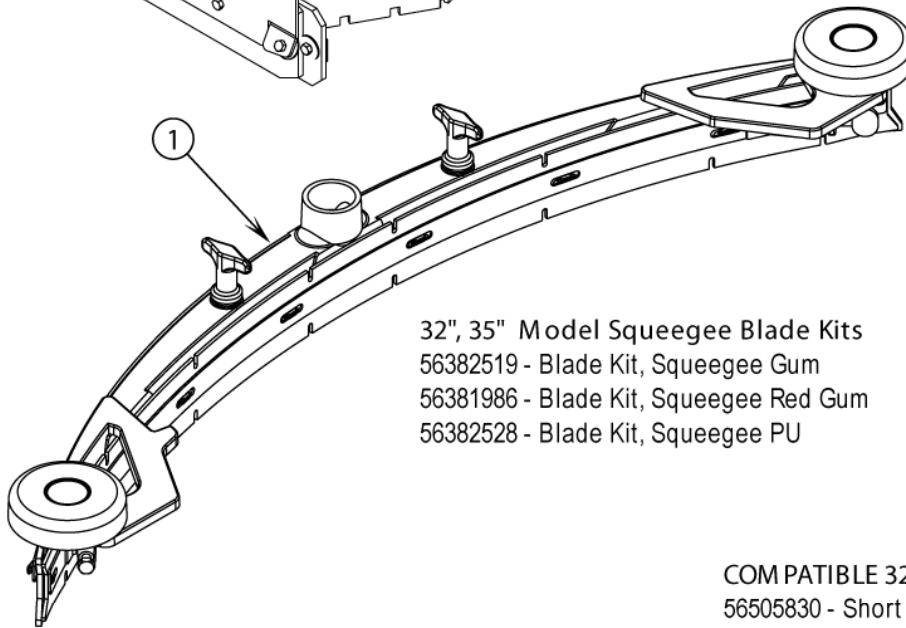
- [1] - EXPIRED ON 1/21/2021  
[2] - GUARANTEE DATE EXPIRED

Only used on machines with a model number starting with "56314" or "56316". Not required for any machines with a model number starting with "56390".

### 56390764 - Kit, Deck 3220D



32" Disk Deck Blade Kits  
 56314914 - Kit, Gum Rubber 32 Disk (Optional)  
 56314918 - Kit, Linatex 32 Disk (Std)



32", 35" Model Squeegee Blade Kits  
 56382519 - Blade Kit, Squeegee Gum  
 56381986 - Blade Kit, Squeegee Red Gum  
 56382528 - Blade Kit, Squeegee PU

COM PATIBLE 32" BRUSHES  
 56505830 - Short Trim Pad Holder  
 56505835 - ProLite  
 56505834 - Prolene  
 56505836 - Union Mix  
 56505833 - AgLite Grit 500  
 56505837 - MidGrit 240  
 56505838 - MidLite Grit 180  
 56505832 - Dyna Grit 80  
 56505831 - Magna Grit 46

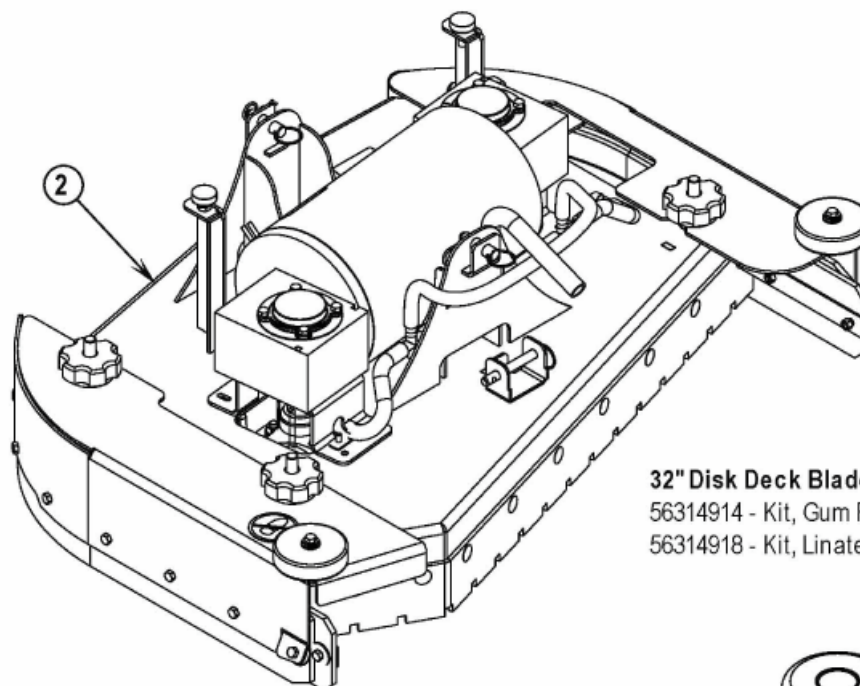
Item	Ref. No.	Qty	Description
	56390764	1	Kit, Deck 3220D
*	56090031	1	Instruction Sheet
1	56390866	1	Squeegee Assembly
2	56314716	1	32" Disk Deck Assembly

Pos.	Artikel-Nr.	Menge	Variante	Notes
00	56390764	1	KIT DECK 3220D	[1]
01	56390866	1	Saugleiste C	
02	56314716	1	Bürstendeck 32	[2]
10	56314914	1	Seitenschürzen-Set	[3]
11	56314918	1	Spritz Gummi-Set	[3]
20	56382738	1	Absaugleisten-Set	[4]
21	56382739	1	Sauglippen-Set, Gummi, rot	[5]
22	56120340	1	Sauglippenset 34 PU-L	[4]
30	56505830	1	Padhalter 16"	[6]
31	56505835	1	Bürste PPN weich	[6]
32	56505834	1	Bürste PPN hart	[6]
33	56505836	1	Bürste Union Mix	[6]
34	56505833	1	Bürste Sica weich, Aglite Grit 500	[6]
35	56505837	1	Bürste Sica mittel, Grit 240	[6]
36	56505838	1	Bürste Sica mittel, Grit 180	[6]
37	56505832	1	Bürste Sica hart, Dyna Grit 80	[6]
38	56505831	1	Bürste Sica sehr hart, Grit 46	[6]

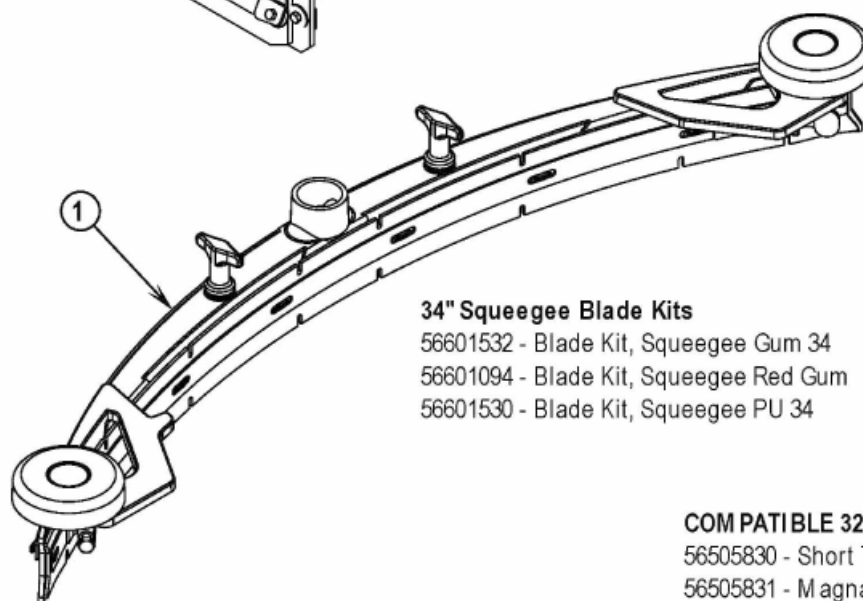
## Part Notes:

- [1] - COMPLEXITY REDUCTION
- [2] - EXPIRED ON 8/06/2020
- [3] - 32" Disk Deck Blade Kits
- [4] - 32", 35" Model Squeegee Blade Kits
- [5] - 32", 35" Model Squeegee Blade Kits  
EXPIRED USE 56120338
- [6] - COM PATIBLE 32"BRUSHES

## 56390765 - Kit, Deck BR 850S

**32" Disk Deck Blade Kits**

56314914 - Kit, Gum Rubber 32 Disk (Std)  
 56314918 - Kit, Linatex 32 Disk (Optional)

**34" Squeegee Blade Kits**

56601532 - Blade Kit, Squeegee Gum 34  
 56601094 - Blade Kit, Squeegee Red Gum  
 56601530 - Blade Kit, Squeegee PU 34

**COMPATIBLE 32" BRUSHES**

56505830 - Short Trim Pad Holder  
 56505831 - Magna Grit  
 56505832 - Dyna Grit  
 56505833 - AgLite Grit  
 56505834 - Prolene  
 56505835 - ProLite  
 56505836 - Union Mix  
 56505837 - MidGrit  
 56505838 - MidLite Grit

Item	Ref. No.	Qty	Description
	56390765	1	Kit, Deck BR 850S
*	56090031	1	Instruction Sheet
1	56390866	1	Squeegee Assembly
2	56314716	1	32" Disk Deck Assembly

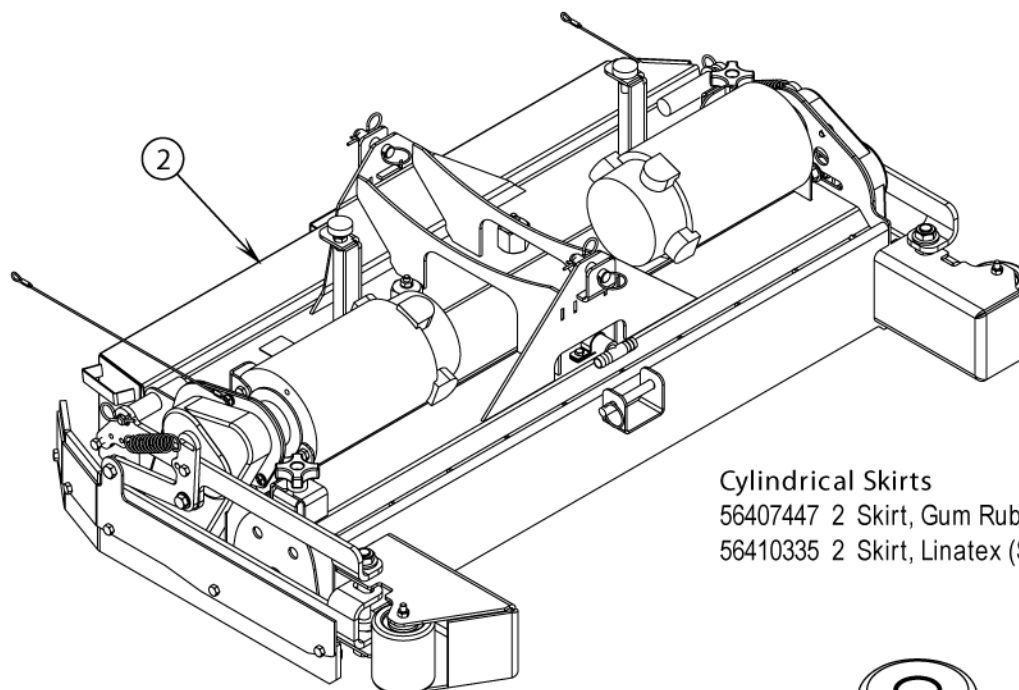


Pos.	Artikel-Nr.	Menge	Variante	Notes
01	56390765	1	KIT DECK BR 850S	[1]
01	56382742	1	Sauglippen-Set, Gummi, rot	
02	56314716	1	Bürstendeck 32	[2]
20	56314914	1	Seitenschürzen-Set	
21	56314918	1	Spritz Gummi-Set	
30	56382738	1	Absaugleisten-Set	
31	56382739	1	Sauglippen-Set, Gummi, rot	[3]
32	56120340	1	Sauglippenset 34 PU-L	
40	56505830	1	Padhalter 16"	
41	56505831	1	Bürste Sica sehr hart, Grit 46	
42	56505832	1	Bürste Sica hart, Dyna Grit 80	
43	56505833	1	Bürste Sica weich, Aglite Grit 500	
44	56505834	1	Bürste PPN hart	
45	56505835	1	Bürste PPN weich	
46	56505836	1	Bürste Union Mix	
47	56505837	1	Bürste Sica mittel, Grit 240	
48	56505838	1	Bürste Sica mittel, Grit 180	

## Part Notes:

- [1] - EXPIRED ON 4/6/2010
- [2] - EXPIRED ON 8/06/2020
- [3] - EXPIRED USE 56120338

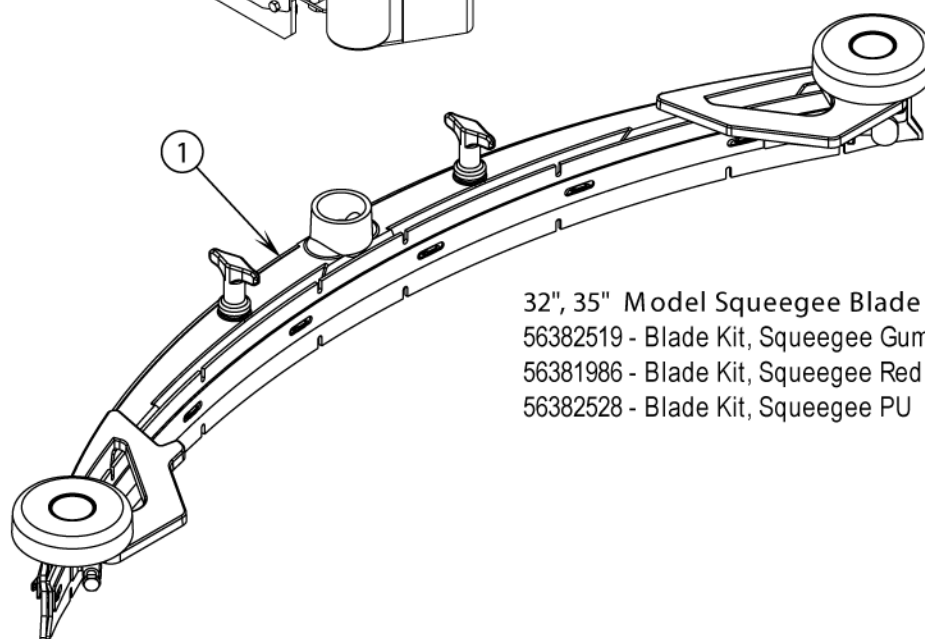
## 56390769 - Kit, Deck 3220C



## Cylindrical Skirts

56407447 2 Skirt, Gum Rubber (Optional)

56410335 2 Skirt, Linatex (Std)



## 32", 35" Model Squeegee Blade Kits

56382519 - Blade Kit, Squeegee Gum

56381986 - Blade Kit, Squeegee Red Gum

56382528 - Blade Kit, Squeegee PU

Item	Ref. No.	Qty	Description
	56390769	1	Kit, Deck 3220C
*	56090031	1	Instruction Sheet
1	56390866	1	Squeegee Assembly
2	56314655	1	32" Cylindrical Deck Assembly

## COMPATIBLE 32" BRUSHES

56407473 - Soft Nylon

56407474 - Hard Nylon

56407475 - Prolene

56407476 - MidLite Grit 180

56407477 - Dyna Grit 80

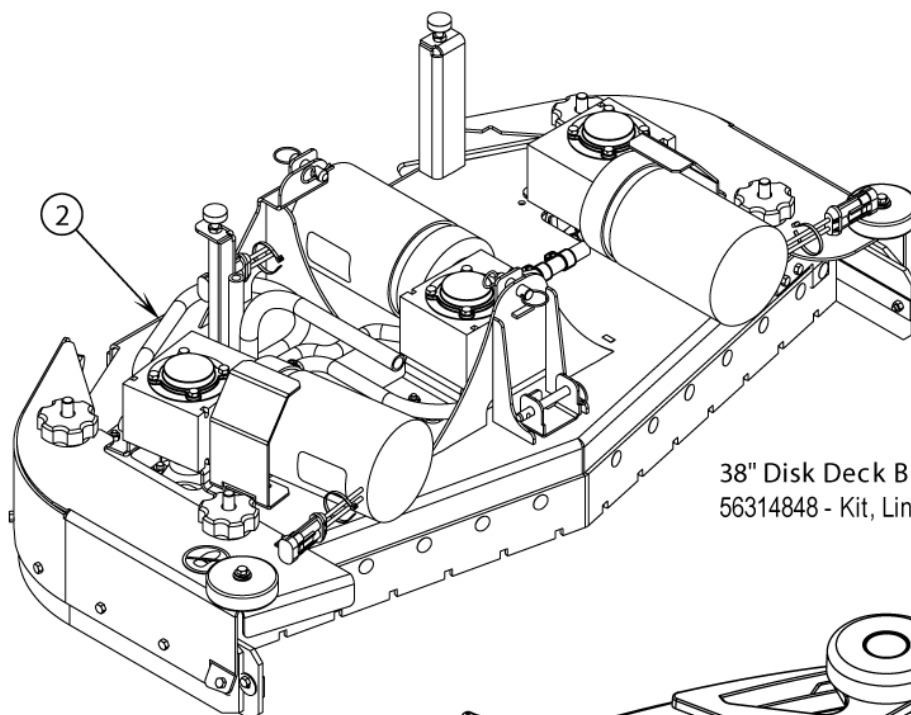
56407478 - Magna Grit 46

Pos.	Artikel-Nr.	Menge	Variante	Notes
00	56390769	1	KIT DECK 3220C	[1]
01	56390866	1	Saugleiste C	
02	56314655	1	Zylinderdeck BR 850 SC	[1]
10	56407447	1	Spritz Gummi	[2]
11	56410335	1	Seitengummi	[2]
20	56382738	1	Absaugleisten-Set	[3]
21	56120338	1	Sauglippen-Set LINATEX-L	[3]
22	56120340	1	Sauglippenset 34 PU-L	[3]
30	56407473	1	Bürstenwalze Nylon weich, gelb	[4]
31	56407474	1	Bürstenwalze Nylon hart, Naturborsten	[4]
32	56407475	1	Bürstenwalze PP, rot	[4]
33	56407476	1	Bürstenwalze Mid Grit 180, mittel	[4]
34	56407477	1	Bürstenwalze Dyna Grit 80, hart	[4]
35	56407478	1	Bürstenwalze Grit 46, sehr hart	[4]

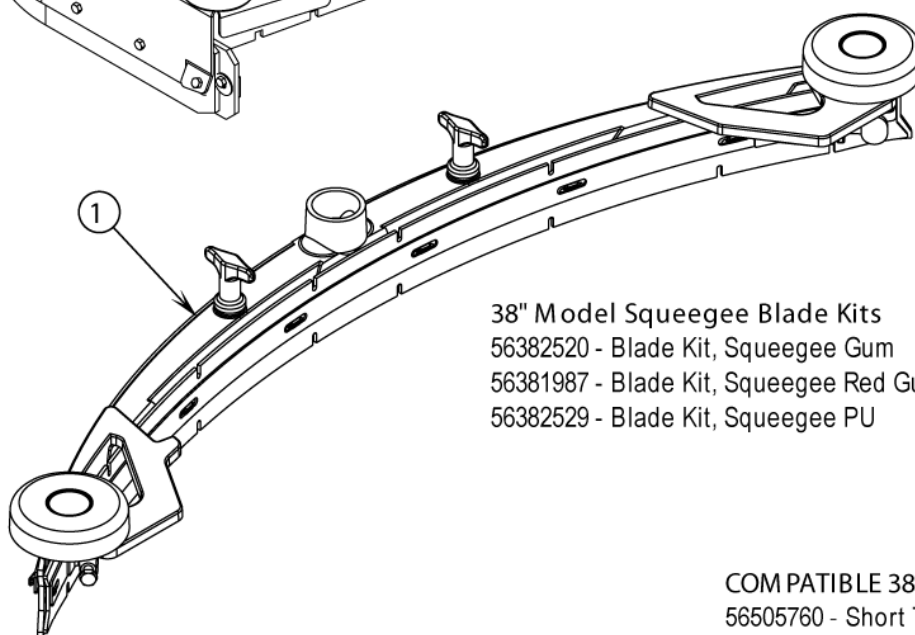
## Part Notes:

- [1] - COMPLEXITY REDUCTION
- [2] - Cylindrical Skirts
- [3] - 32", 35" Model Squeegee Blade Kits
- [4] - COM PATIBLE 32"BRUSHES

## 56390776 - Kit, Deck 3820D



38" Disk Deck Blade Kits  
56314848 - Kit, Linatex 38" Disk



38" Model Squeegee Blade Kits  
56382520 - Blade Kit, Squeegee Gum  
56381987 - Blade Kit, Squeegee Red Gum  
56382529 - Blade Kit, Squeegee PU

## COMPATIBLE 38" BRUSHES

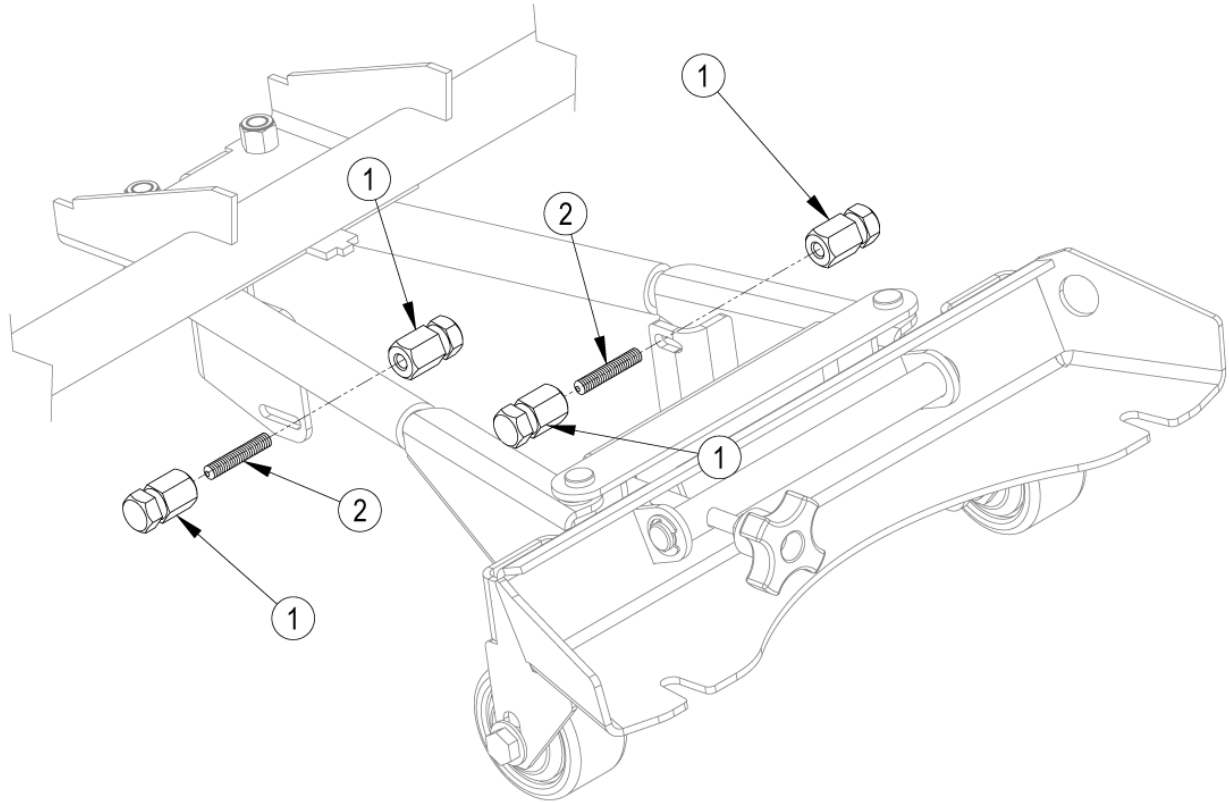
- 56505760 - Short Trim Pad Holder
- 56505765 - ProLite
- 56505764 - Prolene
- 56505766 - Union Mix
- 56505763 - AgLite Grit 500
- 56505767 - MidGrit 240
- 56505768 - MidLite Grit 180
- 56505762 - Dyna Grit 80
- 56505761 - Magna Grit 46

Item	Ref. No.	Qty	Description
	56390776	1	Kit, Deck 3820D
*	56090031	1	Instruction Sheet
1	56390830	1	Squeegee Assembly
2	56314901	1	38" Disk Deck Assembly

Pos.	Artikel-Nr.	Menge	Variante	Notes
00	56390776	1	KIT DECK BR 3820D	[1]
01	56390830	1	Saugleiste D	
02	56314901	1	DISC DECK ASSY 38	[1]
10	56314848	1	Spritz Gummi-Set, rot	[2]
20	56382741	1	Absaugleisten-Set	[3]
21	56382742	1	Sauglippen-Set, Gummi, rot	[3]
22	56382743	1	Sauglippen-Set, PU	[3]
30	56505760	1	Padhalter 330 mm	[4]
31	56505765	1	Bürste Prolene, weich	[4]
32	56505764	1	Bürste Prolene, hart	[4]
33	56505766	1	Bürste, Union Mix	[4]
34	56505763	1	Bürste Aglite Grit	[4]
35	56505767	1	Bürste Mid Grit, 330 mm	[4]
36	56505768	1	Bürste Mid 330 mm	[4]
37	56505762	1	Bürste sica mittel	[4]
38	56505761	1	Bürste Sica hart	[4]

## Part Notes:

- [1] - COMPLEXITY REDUCTION
- [2] - 38"Disk Deck Blade Kits
- [3] - 38"Model Squeegee Blade Kits
- [4] - COMPATIBLE 38"BRUSHES



---

Pos.	Artikel-Nr.	Menge	Variante	Notes
00	56382634	1	KIT-SQUEEGEE SPRING ADGRESSOR	
01	56382624	4	Federmutter	
02	56382637	2	Gewindestange	

