

PARTS LIST



2023.01.05

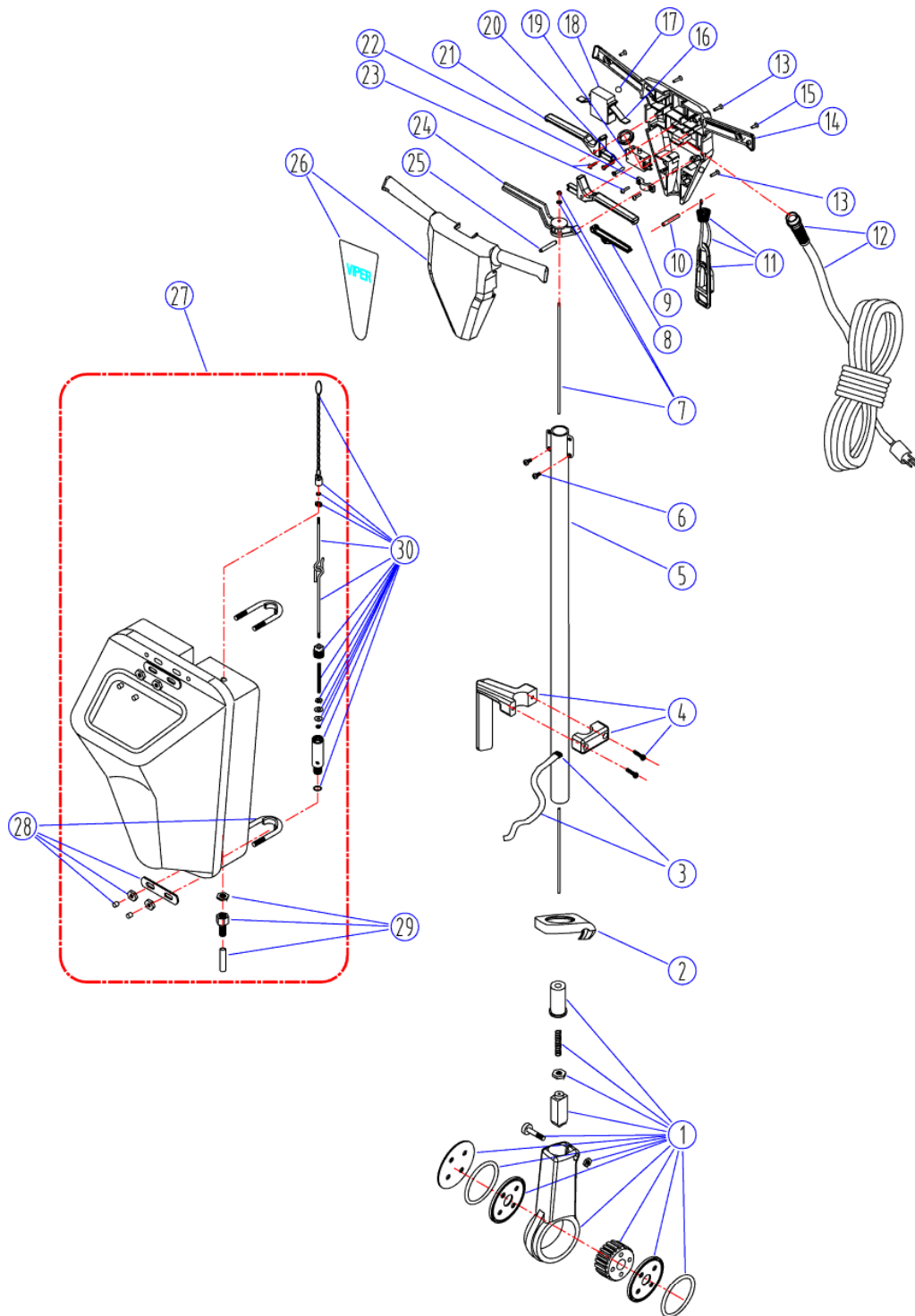
www.vipercleaning.com



Ersatzteile unter www.gluesing.net

TABLE OF CONTENTS

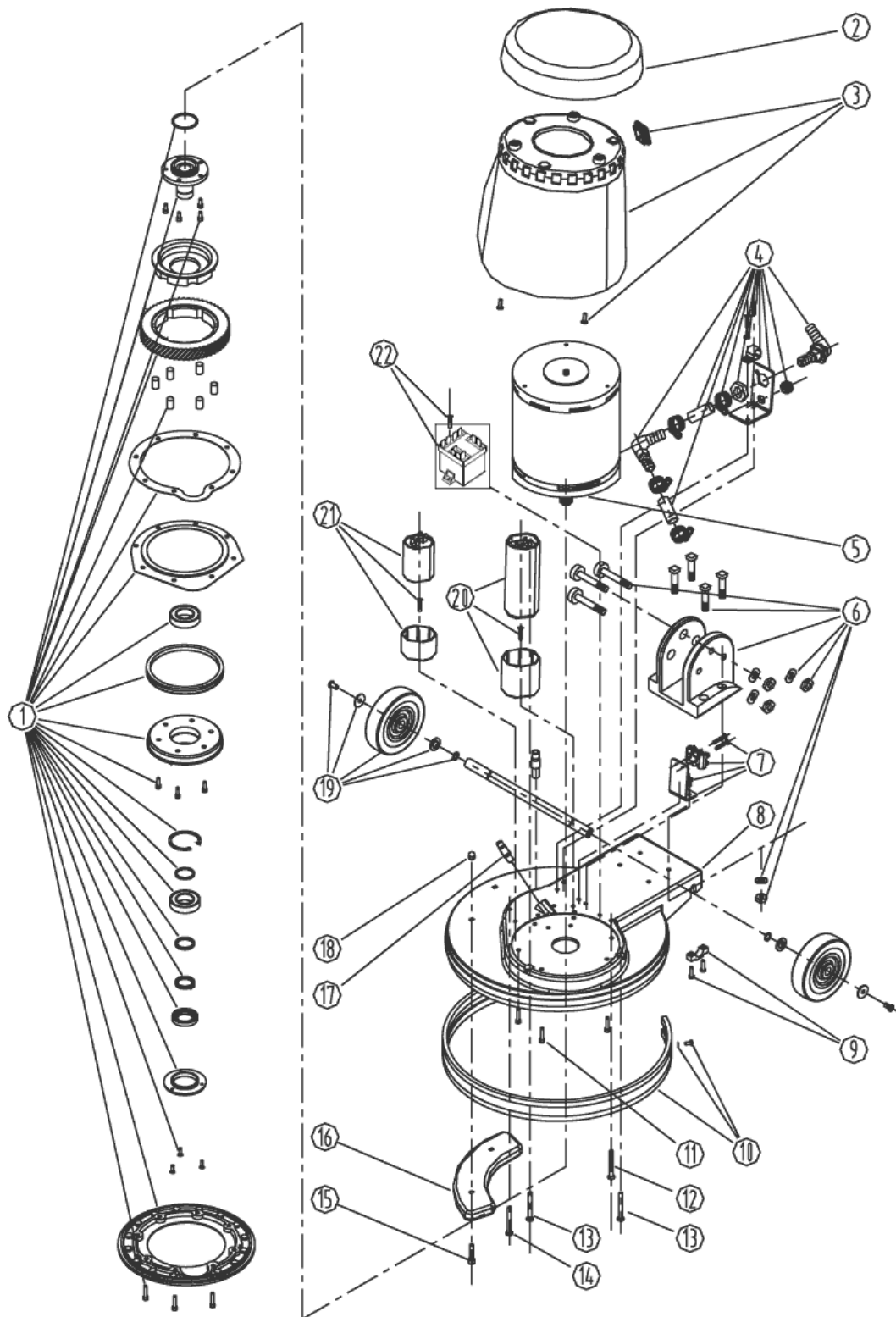
Handle	1
Base	3
Wiring - Wear and Tear parts	5
DF100-A Foam Generator art no. 50000055	7



Pos.	Artikel-Nr.	Menge	Variante	Notes
01	VF40104EU	1	SEAT KIT EXTREME INCL.	
02	GV40241	1	Dichtung	
03	VF72724A	1	Kabel Kit inkl Kabeltülle	
04	VF50122EU	1	Haken Kabelaufwicklung m.	
05	VF40117	1	Rohr Stahl, D32	
06	GT13054	2	Flachkopfschraube M5x12	
07	GV40220EU	1	Stab Nivellierung	[1]
08	GV40213B	1	Hebel f. Frischwasser	
09	VF72703	1	Hebel f. Schalter links	
10	GV40223	1	Stift D3	[2]
11	GV40222A	1	Kabel elastisch, kpl.	
12	VF45118-K	1	POWER CORD 15M	
13	GT13009	6	Flachkopfschraube M5x30	
14	VF73701	1	REAR COVER	
15	GT13008	2	Senkkopfschraube M5x20	
16	GV40218	1	Feder für	
17	VF72723	1	Stahlkugel D10	
18	GV40209	1	Sicherheitsschalter	
19	40263A	1	SWITCH DPST	
20	GT13011	2	Flachkopfschraube ST3x25	
21	VF72704	1	Hebel f. Schalter links	
22	VF48309	1	Schelle	
23	VV13667	3	Flachkopfschraube M4x8	
24	GV40210B	1	LEVELING HANDLE	
25	VF48306	4	Stift D6	
26	VF73702A	1	KIT FRONT COVER & LOGO	
27	VF001	1	Wassertank	
28	VF40141A	2	HalterungsKit f. Wasserta	[1]
29	VF40132A	1	Schlauch Kit	
30	VF40131EU	1	Ventilkit kpl. f. Wasserz	

Part Notes:

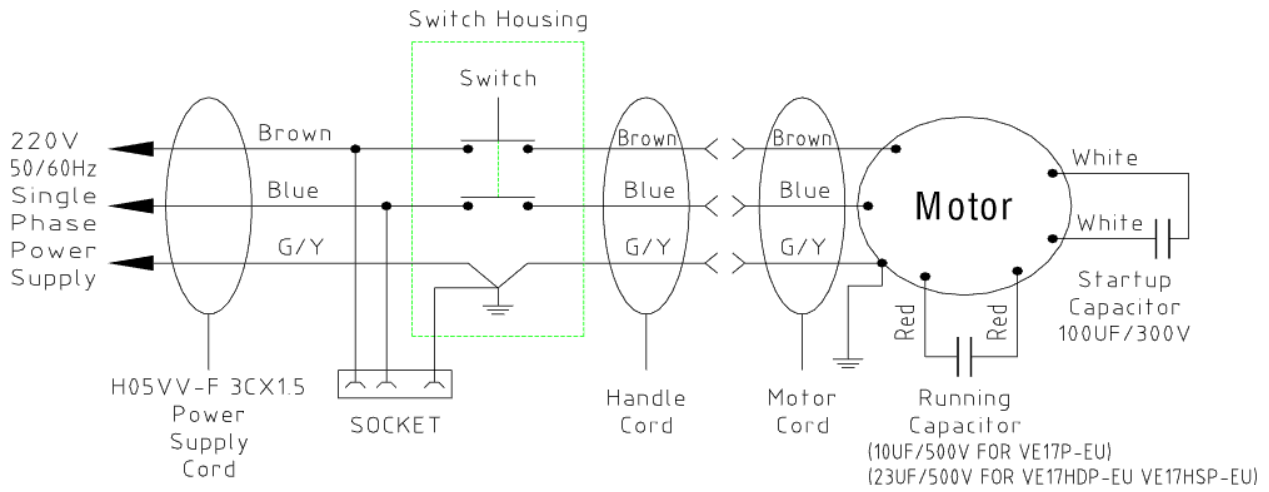
- [1] - STOCK COVERS GUARANTEE
 [2] - GUARANTEE DATE EXPIRED



Pos.	Artikel-Nr.	Menge	Variante	Notes
01	VF46107EU	1	Kupplungsscheiben Kit	
02	VF72122	1	Abdeckung oben	[1]
03	VF72121E	1	COVER KIT EXTREME INCL. BLOCK& SCREW	
04	VF72126EU	1	Halter, Kit	[2]
05	YCQ16000N	1	Motor 220-240 V 50-60HZ	[3]
06	GV40240E	1	Grundrahmen inkl Dichtung	
07	VF72125EU	1	Halter, Kit	[1]
08	VF72201NE	1	Rahmen	
09	VF46120EU	1	Achse, Kit	
10	VF46118EU	1	Stoßfänger Kit	
11	VF14053	6	HEX SOCKET SCREW M6x25	
12	GT13027	1	Flachkopfschraube M5x45	[4]
13	VF14112	2	Flachkopfschraube M5x38	[5]
14	VF14305	1	Flachkopfschraube M5x60	
15	VF14067	2	Schraube M8x25	
16	VF46131	1	Eisenstab	
17	VF40152	2	Schlauchanschluss	
18	VA13490	2	Mutter M8	
19	VF99004EU	1	Rad nicht markierend kpl.	[1]
20	VF72124A	1	Fassung inkl. Anlaufkonde	[1]
21	VF72123A	1	Fassung inkl. Anlaufkonde	

Part Notes:

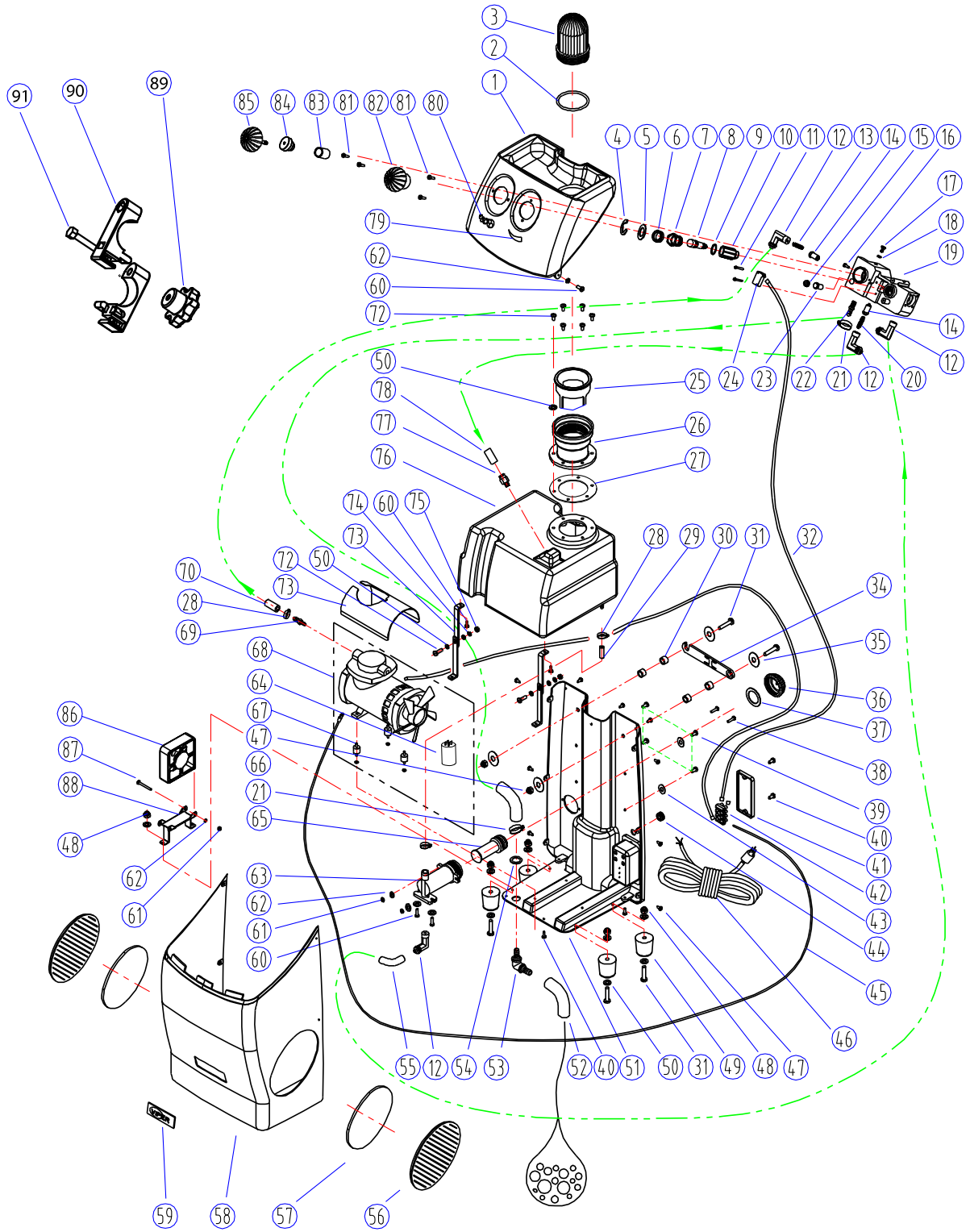
- [1] - STOCK COVERS GUARANTEE
- [2] - NO LONGER AVAILABLE
- [3] - PRUNED – NO REPLACEMENT
- [4] - GUARANTEE DATE EXPIRED
- [5] - SEE PI 2017-002



Pos.	Artikel-Nr.	Menge	Variante	Notes
01	VF45118EU	1	Netzkabel mit EU Stecker	
02	VF45118UG	1	POWER CORD UK PLUG KIT EXTREME INCL. STR	
03	40263A	1	SWITCH DPST	
04	VF99004EU	1	Rad nicht markierend kpl.	[1]
05	VF72124A	1	Fassung inkl. Anlaufkonde	[1]
06	VF72123A	1	Fassung inkl. Anlaufkonde	
07	VF46107EU	1	Kupplungsscheiben Kit	
08	YCQ16000N	1	Motor 220-240 V 50-60HZ	[2]
09	VF003	1	Schrubbürste PP, 405 mm, 16"	
10	VF021	1	Padhalter 405 mm, 16"	

Part Notes:

- [1] - STOCK COVERS GUARANTEE
 [2] - PRUNED – NO REPLACEMENT



Pos.	Artikel-Nr.	Menge	Variante	Notes
00	50000055	1	Schaumgenerator	
1	VF46403	1	UPPER COVER	
2	VF14227	1	O-RING	
3	VF46404A	1	KIT TANK KNOB INTAKE	
4	VF14120	1	RETAINING RING EXTERNAL DIAMETER 8	
5	VF46457	1	WASHER SST	
6	VF46422-3	1	Y RING DIAMETER 12	
7	VF46422-2	1	NUT ADJUSTING VALVE	
8	VF46422-4B	1	PIN ADJUSTING VALVE	[1]
9	VF46456	1	WASHER BRASS	
10	VF46455	1	BIG NUT	
11	VV13616	2	PH SCREW M3x16	
12	VF46466	4	90 DEG BLBOW	
13	VF46422-19	1	SPRING SHORT	
14	VF46422-11	2	VALVE	
15	VF46422-15	1	NUT M14	
16	VF46422-5	1	PIN	
17	VF46422-10	5	COVER	
18	VF46422-9	5	O RING DIAMETER 1 2/25 x DIAMETER 3 3/20	
19	VF46422-8A	1	VALVE BODY	
20	VF46422-18	1	SPRING LONG	
21	VV10114	2	Klammer	
22	VF46422-13	1	BARB HOSE	
23	VF46422-17	1	VALVE	
24	VF46422-6	1	MICRO SWITCH	
25	VF46454	1	Filter	
26	VF46426	1	INTAKE TANK	
27	VF46462	1	GASKET INTAKE TANK	
28	VF46400	3	CLAMP	
29	VF46467	1	HOSE	
30	VF47034	4	SPACER CLAMP PLATE	
31	VA13475	4	SCREW M5X25	
32	VF46450	1	CORD MICRO SWITCH	
34	VF47032	1	CLAMP PLATE SOLUTION TANK	
35	VV20276	2	WASHER PLAIN	
36	VF46419	1	COVER FILTER OUTLET TANK	
37	VF46420	1	WASHER COVER OUTLET	
38	VA13473	2	SCREW M4X PH	
39	VV20509	4	Schraube M5x10	
40	VA13477	2	SCREW M4*15	
41	VF46410	1	COVER WIRING BOX	
42	VF46483	1	CONNECTOR	[1]
43	VF13474A	8	WASHER PLAIN F5XF16	
44	VF50120	1	GROMMET	
45	VF46453	1	GROUNDING WIRE	
46	VF45117E	1	POWER CORD	
47	VF14300	6	SCREW M4 x 8 PH	
48	GT13022	6	NUT NYLON INSERT M5	
49	VV30125	4	RUBBER STAND	
50	VA13482	14	WASHER PLAIN DIA.5.0	
51	VF46402A	1	REAR COVER	
52	VF46445	1	HOSE FOAMING FRAME END	
53	VF46441	1	BLBOW HOSE FOAMING	
54	VF46442	1	NUT BLBOW HOSE	
55	VF46437	1	HOSE SL INLET VALVE	
56	VF46408	2	COVER FRESH AIR PUMP	
57	VF46407	2	FILTER FRESH AIR PUMP	
58	VF46401	1	FRONT COVER	
59	VF47035A	1	VIPER LOGO	

Pos.	Artikel-Nr.	Menge	Variante	Notes
60	VF13491	8	Schraube M4x12	
61	GT13014	4	NUT M4 NYLON INSERT	
62	VV13664	1	WASHER PLAIN DIA.4	
63	VF46418	1	FILTER HOLDER OUTLET TANK	
64	YCQ10407	2		
65	VF46435	1	FILTER OUTLET TANK	
66	VF46438	1	HOSE OUTLET VALVE	
67	VF46463	1	MOUNTING SCREW PUMP	
68	YQ12000	1	PUMP	
69	VF46405	1	BARB OUTLET COMPRESSED AIR PUMP	
70	VF46444	1	HOSE COMPRESSED AIR OUTLET PUMP	
71	VF46449	1	SHIELD PUMP	
72	VV20501	8	PH SCREW M5X14 SST	
73	VF46413	4	SURPORT RIB TANK	
74	VV13601	2	WASHER SPRING ID5	
75	VV13633	2	NUT M5	
76	VF46425	1	TANK	
77	VF46475	1	BLBOW R1/4	
78	VF46439	1	HOSE COMPRESSED AIR INLET TANK	
79	VF46428	1	ICON ADJUSTING	
80	VF46427	1	ICON FOAMING	
81	VF14301	5	SCREW M4x12	
82	VF46415	1	KNOB ADJUSTING	
83	VF46406C	1	FOAMING GENERATOR	
84	VF46411-3	1	GASKET	
85	VF46411	1	KNOB ASSY FOAMING	
86	VF46468	1	FAN	
87	VF46469	1	BRACKET FAN	
88	VF14077	2	SCREW M4 x 35 PH	
90	VF73706	4	PLASTIC MOUNTING BRACKET	[2]
89	VF46486	2	KNOB CLAMP	
91	GT13019	2	HEX SCREW M6x45	

Part Notes:

- [1] - STOCK COVERS GUARANTEE
 [2] - GUARANTEE DATE EXPIRED

