

unter www.g

name: 1 Einzelteile
p: 1 Component parts
pe: 1 Pieces detachees

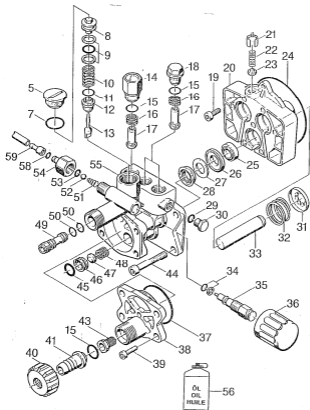
KÄRCHER 475

3. en 3s.	Benennung Description Designation	Teile-Mr. Part-No. No.piece	Stück Qty. Nbr.	
1	Schutzkappe/ Protecting Cap/ Capot Protection	6.631-267.0	1	✓
2	Schalter M.kappe/ Switch With Cap/ Interrupteur Avec Capuchon	6.631-463.0	1	✓
3	Griff/ Handle/ Poignee	5.321-253.0	1	✓
4	Kabel+Stecker/ Cable With Plug/ Cable Avec Fiche	6.641-919.0	1	✓
5	Erdungsschr.M4x8/ Screw M4x8/ Vis M4x8	6.303-074.0	1	✓
6	Gegenmutter Pg 9/ Counternut/ Contre-Ecrou	6.641-366.0	1	✓
7	Kondensator 20mf/ Capacitor/ Condensateur	6.661-152.0	1	✓
8	Spannteil/ Clamp Element/ Piece de Serrage	5.263-037.0	2	✓
9	Profildichtung/ Profile Seal/ Joint Profile	5.365-138.0	1	✓
10	Haube/ Cap/ Capot	5.066-301.0	1	✓
11	Linsenschr. M4x8/ Oval Head Screw/ Vis A Tete Bonbee	6.303-082.0	1	✓
12	Auflager/ Support/ Appui	5.057-037.0	4	✓
13	Haube/ Cap/ Capot	5.066-267.0	1	✓
14	Linsenschr. M4x16/ Oval Head Screw/ Vis A Tete Bonbee	6.303-102.0	1	✓
15	Filter/ Filter/ Filtre	6.414-277.0	1	✓
	Schlauch Nm 5/ Flexible Tube/ Tuyau Flexible	6.388-216.0	1	✓
17	Linsenschr. M5x16/ Oval Head Screw/ Vis A Tete Bonbee	6.303-101.0	6	✓

unter www.g...

2 Pumpenteile
2 Pump parts
: 2 Pieces de pompe

KÄRCHER 475



unter www.g

2 Pumpenteile
2 Pump parts
2 Pièces de pompe

KÄRCHER 475

Benennung Description Designation	Teile-Nr. Part-No. No. piece	Stück Qty. Nbr.
Verschluss-Schraube/ Screw Plug/ Bouchon de Vidange	5.411-072.0	1 €
7 O-Ring 18x2,5/ O-Ring 18 X 2,5/ Joint Torique	6.362-079.0	1 €
8 Kolben/ Piston/ Piston	5.553-176.0	1 /
9 O-Ring Kpl./1st.-R./ O-Ring/ Joint Torique	6.362-375.0	1 €
10 Schraubenfeder/ Coil Spring/ Ressort	5.332-207.0	1 /
11 O-Ring 12,0x2,0/ O-Ring/ Joint Torique	6.362-169.0	1 €
Ventil-Sitz/ Valve Seat/ Siege Soupape	5.581-103.0	1 €
13 Formschraube/ Special Screw/ Vis Poussoir	5.305-146.0	1 /
14 Manometer 0-120/ Manometer/ Manometre	6.421-123.0	1 €
15 O-Ring 13,3x2,4/ O-Ring/ Joint Torique	6.362-078.0	4 €
16 Schraubenfeder/ Coil Spring/ Ressort Helicoidal	5.332-116.0	3 €
17 Ventilbolzen/ Valve Pin/ Siege de Soupape	5.584-056.0	3 €
18 Ventilschraube/ Valve Screw/ Bouchon de Soupape	5.583-088.0	2 /
19 Zyl.schr. M6x12/ Cheese Head Screw/ Vis A Tete Cylindr.	6.304-016.0	2 /
20 Gehäuse/ Housing/ Boitier	5.060-257.0	1 /
Formteil/ Moulding/ Piece Profilee	5.030-533.0	1 €
22 Schraubenfeder/ Coil Spring/ Ressort	5.332-209.0	1 €
23 Ventilteller/ Valve Disk/ Tete de Soupape	5.582-080.0	1 €
24 O-Ring 85x3/ O-Ring/ Joint Torique	6.362-097.0	1 €
25 Nutring 16x24x7/ Packing Ring/ Joint Rainure	6.365-322.0	3 €
26 Scheibe/ Washer/ Rondelle	5.115-385.0	3 /
27 Scheibe/ Disk/ Disque	5.115-425.0	3 /
28 Nutring 16x24x5/ Packing Ring/ Joint Rainure	6.365-321.0	3 €
29 O-Ring 8x2/ O Ring/ Joint Torique	6.362-101.0	1 €
30 Verschluss-Schraube/ Screw Plug/ Bouchon	5.411-072.0	1 €

unter www.g

2. Pumpenteile
2. Pump parts
2. Pieces de pompe

KÄRCHER 475

Benennung Description Designation	Teile-Nr. Part-No. No.piece	Stück Qty. Nbr.
31 Formteil/ Moulding/ Piece Profilee	5.030-500.0	3 ✓
32 Schraubenfeder/ Coil Spring/ Ressort Helicoidal	5.332-206.0	3 ✓
33 Kolben/ Piston/ Piston	5.553-184.0	3 ✓
34 O-Ring Komplet/ O-Ring Compl./ Joint Torique Compl	6.362-365.0	1 €
35 Spindel/ Spindle/ Axe	5.291-032.0	1 ✓
36 Griff/ Handle/ Poignee	4.321-052.0	1 €
37 O-Ring 50x2/ O-Ring 50x2/ Joint Torique 50x2	6.362-561.0	1 €
38 Gehäusedeckel/ Cover/ Couvercle	5.060-336.0	1 ✓
39 Zyl.schr. M8x20/ Cheese Head Screw/ Vis A Tete Cylindr.	6.303-078.0	4 ✓
40 Mutter/ Nut/ Ecrou	5.310-065.0	1 €
41 Schlauchnippel/ Hose Stem/ Raccord Pour Tuyau	5.443-229.0	1 €
43 Sieb/ Strainer/ Passoir	6.414-252.0	1 €
44 Zyl.schr. M8x50/ Cheese Head Screw/ Vis A Tete Cylindr.	6.304-017.0	4 ✓
45 O-Ring 14x2/ O-Ring 14x2/ Joint Torique 14x2	6.362-481.0	3 €
46 Ventil-Sitz/ Valve Seat/ Siege de Soupape	5.581-104.0	3 €
47 Ventilteller/ Valve Head/ Tete de Soupape	5.582-073.0	3 €
48 Schraubenfeder/ Coil Spring/ Ressort A Boudin	5.332-130.0	3 €
49 Dueseneinsatz/ Nozzle Insert/ Injecteur Detergent	5.769-084.0	1 €
50 O-Ring 9x1,5/ O-Ring 9x1,5/ Joint Torique 9x1,5	6.362-384.0	2 €
51 Schraubenfeder/ Coil Spring/ Ressort A Boudin	5.332-124.0	1 €
52 Stahlkugel D 7/ Steel Ball/ Ball D'acier	7.401-909.0	1 €
53 O-Ring 6x2/ O-Ring 6x2/ Joint Torique 6x2	6.362-383.0	1 €
54 Schlauchkupplung/ Hose Coupling/ Raccord Pompier	5.446-005.0	1 €

unter www.g

Group: 2 Pumpentelle
Group: 2 Pump parts
Groupe: 2 Pieces de pompe

KÄRCHER 475

Pos. Benennung	Teil-Nr.	Stück
Item Description	Part-No.	Qty.
Pos. Designation	No. piece	Nbr.

55	Zylinderkopf/ Cylinder Head/ Culasse De Cylindre ^{63 AS900} ^{Et. 2.882-293} 5.590-118.0 *	1 ✓
56	Motorenöl/ Engine Oil/ Huile A Moteurs ^{AS900} 6.288-050.0	1L ✓
58	O-Ring/ O-Ring/ Joint Torique 6.362-362.0	1 E
59	Schlauchnippel/ Hose Stem/ Raccord Pour Tuyau 5.443-300.0	1 E

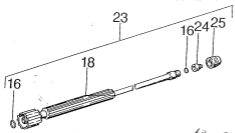
* zusammen mit Pos. 29 und 30 bestellen/to be order together with pos. 29
and pos.30/a commander avec pos. 29 et pos. 30.

Pos. 55 = Zylinderkopf OS W/M. AS900 4.550-120

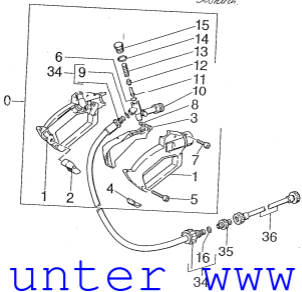
unter www.g

* Handspritzpistole und Strahlrohr
 4 Trigger gun and lance
 * Pistolet et lance

KÄRCHER 475



*Alle angegebenen
 Pos. sind einzeln zu
 bestellen.*



unter www.g

Gruppe: 4 Handspritzpistole und Strahlrohr
Group: 4 Trigger gun and lance
Groupe: 4 Pistolet et lance

KÄRCHER 475

Pos. Item Pos.	Benennung Description Designation	Teile-Nr. Part-No. No.piece	Stück Qty. Nbr.
0	Handspritzpistole Ohne HD-Schlauch/ Trigger Gun Without High Pressure Hose/ Poignee Pistolet Sans Flexible HP	4.775-036.0	1
1	Griffpaar/ Grip (Two Halves)/ Demi-Poignees	5.321-129.0	1
2	Hebel/ Lever/ Levier	5.481-052.0	1
3	Hebel/ Lever/ Levier	5.481-053.0	1
4	Schutzteil/ Protection Piece/ Piece de Protection	5.394-156.0	1
5	Schraube 4,2x22/ Screw 4,2 X 22/ Vis 4,2 X 22	6.303-024.0	5
6	O-Ring 2,8x1,6/ O-Ring 2,8x1,6/ Joint Torique	7.362-502.0	1
7	Schraube 4,2x16/ Screw 4,2 X 16/ Vis 4,2 X 16	6.303-025.0	1
8	Zapfen/ Trunnion/ Tourillon	5.108-051.0	1
9	O-Ring 6,75x1,78/ O-Ring/ Joint Torique	6.362-498.0	1
10	Knotenstueck/ Strut Att. Fitting/ Ferrure Nodale	5.427-086.0	1
11	Stange/ Rod/ Perche	5.107-067.0	1
12	Ventilteller/ Valve Head/ Tete de Soupape	5.582-058.0	1
13	Schraubenfeder/ Coil Spring/ Ressort A Boudin	5.332-157.0	1
14	O-Ring 12,42x1,78/ O-Ring 12,42x1,78/ Joint Torique	6.362-480.0	1
15	Verschluss-Schraube/ Screw Plug/ Vis de Fermeture	5.411-054.0	1
16	O-Ring-Set (5 Stück)/ O-Ring Set (5 pieces)/ Jeu de 5 Joints Toriques	2.880-296.0	1
18	Griff-Hälfte/ Grip (Half)/ Demi-Coquille	5.321-134.0	2
23	Strahlrohr Komplett/ Spray Lance Complete/ Tube de Lance Complet	4.760-202.0	1
24	Wechseldüse 036/ Change Nozzle/ Tuyere Variation	6.415-523.0	1
25	Verschraubungsteil/ Screw Fitting/ Raccord Visse	5.401-146.0	1
34	HD-Schlauch,MM 6,10n/ High Pressure Hose,Non. dia. 6,10n/ Flexible HP DN 6, Longueur 10n	6.388-854.0	1
35	Doppelstueck/ Double Socket/ Tuyau de Rallonge	6.405-002.0	1

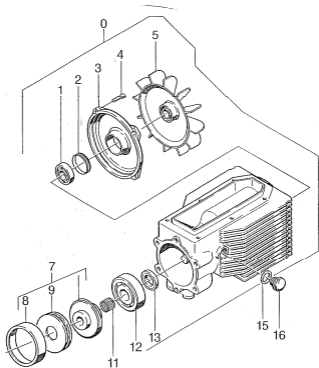
unter www.g

Gruppe: 4 Handspritzpistole und Strahlrohr
Group: 4 Trigger gun and lance
Groupe: 4 Pistolet et lance

BÄRNER 475

Pos. Benennung Item Description Pos. Designation	Teil-Nr. Part-No. No.piece	Stück Qty. Nbr.
36 Verlängerungs-HD-Schlauch,MM 8,10m/ Exentsion Of High Pressure Hose,Nom. Dia. 8.10m/ Rallonge De Flexible HP DN 8, Longueur 10m	6.388-668.0	1

unter www.g



unter www.g

Typ: 3 Motor
Typ: 3 Motor
Typ: 3 Moteur

KÄRCHER 475

Pos. Benennung Item Description Pos. Designation	Teil-Nr. Part-No. No. piece	Stück Qty. Nbr.
0 Motor e Vollst./ Motor/ Moteur	4.623-067.0	1 ✓
1 Kugellager / Ball Bearing/ Roulement A Billes	7.401-115.0	1 ✓
2 Toleranzring 32x6/ Tolerance Ring/ Entretoise	6.343-026.0	1 ✓
3 Deckel/ Cover/ Couvercle	5.063-363.0	1 ✓
4 Zyl.schr. M5x20/ Cheese-Head Screw/ Vis A Tete Cylindr.	6.303-076.0	4 ✓
5 Laufrad/ Running Wheel/ Roue de Roulement	5.600-018.0	1 ✓
7 Taumelscheibe Kpl./ Swash Plate/ Disque Incline	4.120-127.0	1 ✓
8 Profilring/ Profile Ring/ Anneau	5.015-044.0	1 ✓
9 Ax-Rillenkugellager/ Thrust Bearing/ Butee	6.401-141.0	1 ✓
11 Toleranzring D17x16/ Tolerance Ring/ Entretoise	6.343-027.0	1 ✓
12 Schraegkugellager/ Ang. Ball Bearing/ Roulement A Billes	7.401-036.0	1 ✓
13 W-Dichtring/ Rotary Shaft Seal/ Bague A Levres Res.	7.367-016.0	1 ✓
15 Dichtung/ Seal/ Joint	6.362-585.0	1 ✓
16 Verschlusschraube/ Screw Plug/ Vis de Fermeture	5.411-062.0	1 ✓

unter www.g