

KMR 1200

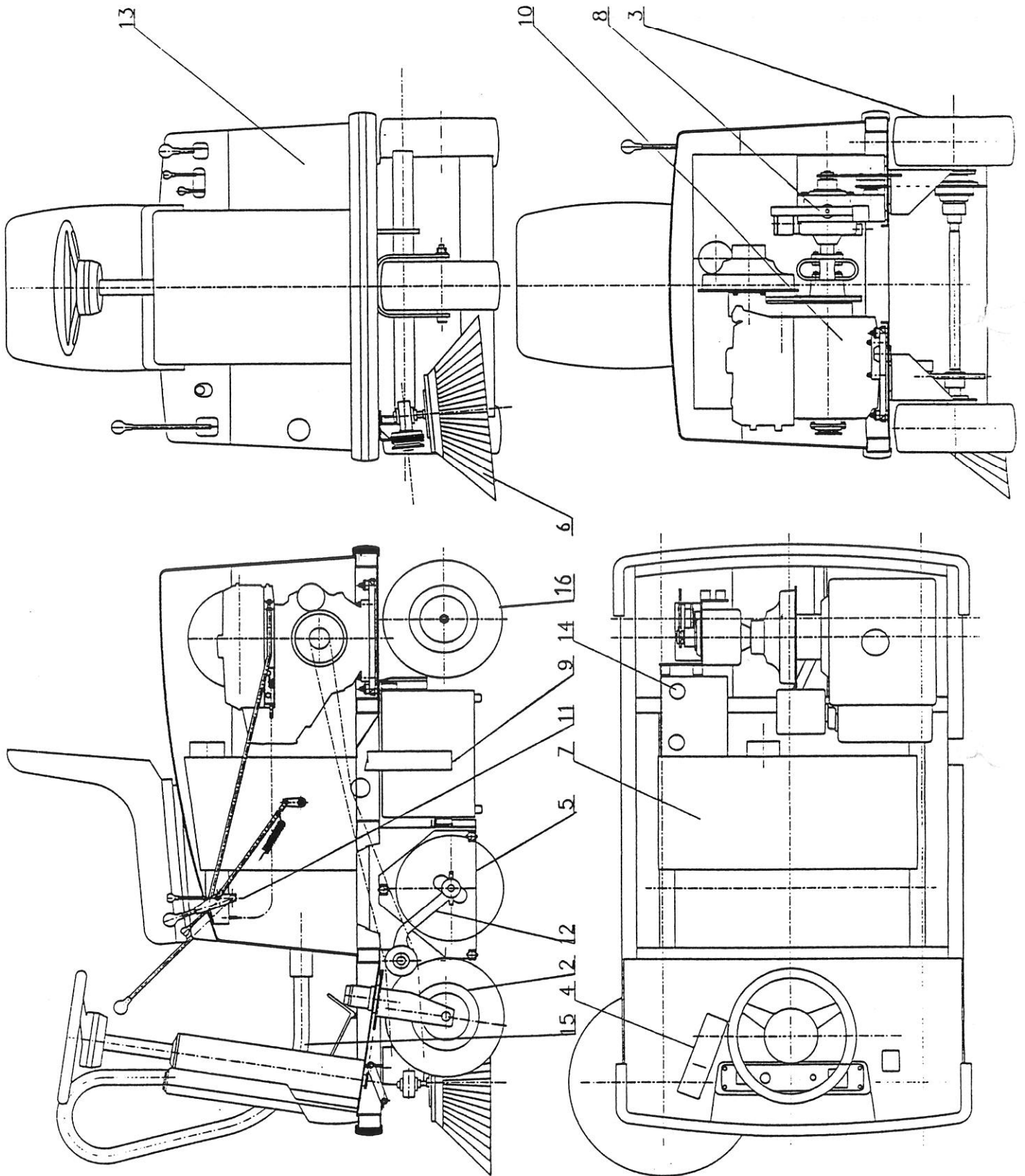
WERKNUMMER IHRES GERÄTES (SIEHE TYPENSCHILD)
 SERIAL NO. OF YOUR MACHINE (SEE NAMEPLATE)
 NO. DE SERIE DE VOTRE APPAREIL (VOIR PLAQUE
 SIGNALÉTIQUE)

(HIER EINTRAGEN / ENTER HERE / MARQUER ICI)

GRUPPE: 1 GRUPPENEÜBERSICHT GROUP: 1 CONTENTS GROUPE: 1 GROUPE DE PIÈCES	SEITE / PAGE 4- 5	GRUPPE: 10.2 MOTORVERBLECHUNG GROUP: 10.2 COATIN SHEET (MOTOR) GROUPE: 10.2 TOLE DE COFFRAGE (MOTEUR)	SEITE / PAGE 68- 77
GRUPPE: 2 VORDERRAD + LENKUNG GROUP: 2 FRONT WHEEL GROUPE: 2 ROUE DIRECTRICE	SEITE / PAGE 6- 9	GRUPPE: 11 STEUERUNG GROUP: 11 CONTROL SYSTEM GROUPE: 11 COMMANDE	SEITE / PAGE 78- 83
GRUPPE: 2.1 STUETZRAD GROUP: 2.1 SUPPORT WHEEL GROUPE: 2.1 ROUE D'APPUI	SEITE / PAGE 10- 11	GRUPPE: 11.1 CHOKESTEUERUNG GROUP: 11.1 CHOKE CONTROL SYSTEM GROUPE: 11.1 ETRANGLEUR-COMMANDE	SEITE / PAGE 84- 85
GRUPPE: 3 HINTERACHSE GROUP: 3 REAR AXLE GROUPE: 3 AXE D'ARRIERE	SEITE / PAGE 12- 15	GRUPPE: 11.2 GASSTEUERUNG GROUP: 11.2 CONTROL SYSTEM GROUPE: 11.2 COMMANDE	SEITE / PAGE 86- 87
GRUPPE: 4 STEUERUNG - HYDRAULIKGETRIEBE GROUP: 4 CONTROL SYSTEM OF FLUID DRIVE GROUPE: 4 COMMANDE DE TRANSMISSION HYDRAULIK	SEITE / PAGE 16- 21	GRUPPE: 11.3 STEUERUNG - FILTERKASTENKL. GROUP: 11.3 CONTR. SYS. - FILTER BOX FLAP GROUPE: 11.3 COM. - CLAPET DE FILTRE	SEITE / PAGE 88- 91
GRUPPE: 5 KEHRWALZENKASTEN GROUP: 5 SWEEP ROLLER CHEST GROUPE: 5 COFFRE DE CYLINDR. BALAYER	SEITE / PAGE 22- 23	GRUPPE: 11.4 STEUERUNG - KEHRWALZENKL. GROUP: 11.4 CONTR. SYS. - SWEEP ROLLER FLAP GROUPE: 11.4 COM. - CLAPET DE CYL. BALAYER	SEITE / PAGE 92- 95
GRUPPE: 6 SEITENBESEN (RECHTS) GROUP: 6 BROOM (RIGHT) GROUPE: 6 BALAI (A DROITE)	SEITE / PAGE 24- 27	GRUPPE: 11.5 RUETTELSTEUERUNG GROUP: 11.5 VIBRATORY CONTROL SYSTEM GROUPE: 11.5 COMMANDE VIBRANTE	SEITE / PAGE 96- 97
GRUPPE: 6.1 STEUERUNG SEITENBESEN (RECHTS) GROUP: 6.1 CONTROL SYSTEM BROOM (RIGHT) GROUPE: 6.1 BALAI (A DROITE) COMMANDE	SEITE / PAGE 28- 31	GRUPPE: 11.6 FILTERRUETTLER GROUP: 11.6 FILTER VIBRATOR GROUPE: 11.6 FILTRE VIBREUR	SEITE / PAGE 98- 101
GRUPPE: 6.2 BEFESTIGUNG - SEITENBESEN GROUP: 6.2 FIXING - BROOM GROUPE: 6.2 FIXATION DE BALAI	SEITE / PAGE 32- 33	GRUPPE: 12 KEHRWALZE GROUP: 12 SPACER GROUPE: 12 TAMBOUR	SEITE / PAGE 102- 109
GRUPPE: 6.3 HALTERUNG - SEITENBESEN GROUP: 6.3 BRACKET - BROOM GROUPE: 6.3 FIXATION DE BALAI	SEITE / PAGE 34- 35	GRUPPE: 13 AUFBAU GROUP: 13 CONSTRUCTION GROUPE: 13 CONSTRUCTION	SEITE / PAGE 110- 115
GRUPPE: 7 FILTERKASTEN GROUP: 7 FILTER BOX GROUPE: 7 FILTRE	SEITE / PAGE 36- 43	GRUPPE: 14 ELECTROINSTALLATION GROUP: 14 ELECTRIC INSTALATION GROUPE: 14 INSTALLATION ELECTRIQUE	SEITE / PAGE 116- 117
GRUPPE: 8 ANTRIEBSUEBERTRAGUNG GROUP: 8 DRIVING TRANSMISSION GROUPE: 8 TRANSMISSION D'ENTRAINEMENT	SEITE / PAGE 44- 47	GRUPPE: 15 SAUGEINRICHTUNG GROUP: 15 SUCTION PART GROUPE: 15 INSTALLATION D'ASPIRATION	SEITE / PAGE 118- 119
GRUPPE: 9 KEHRBEHAELTER GROUP: 9 SWEEP TANK GROUPE: 9 BAC BALAYER	SEITE / PAGE 48- 49	GRUPPE: 16 EINZELTEILE RAD GROUP: 16 PIECE PARTS GROUPE: 16 PIÈCES CONSTITUANTES	SEITE / PAGE 120- 121
GRUPPE: 9.1 ABDICHTUNG UND SCHLOSS - KEHRBEH. GROUP: 9.1 SEAL AND LOCK - SWEEP TANK GROUPE: 9.1 ETOUPE ET SERRURE - BAC BALAYER	SEITE / PAGE 50- 57		
GRUPPE: 10 MOTOR GROUP: 10 MOTOR GROUPE: 10 MOTEUR	SEITE / PAGE 58- 63		
GRUPPE: 10.1 AUSPUFFANLAGE GROUP: 10.1 EXHAUST ARRANGEMENT GROUPE: 10.1 ARRANGEMENT D'ÉCHAPPEMENT	SEITE / PAGE 64- 67		

GRUPPE: 1 GRUPPENUEBERSICHT
GROUP: 1 CONTENTS
GROUPE: 1 GROUPES DE PIECES

ETL KMR 1200



GRUPPE: 1 GRUPPENUUEBERSICHT
GROUP: 1 CONTENTS
GROUPE: 1 GROUPES DE PIECES

ETL KMR 1200

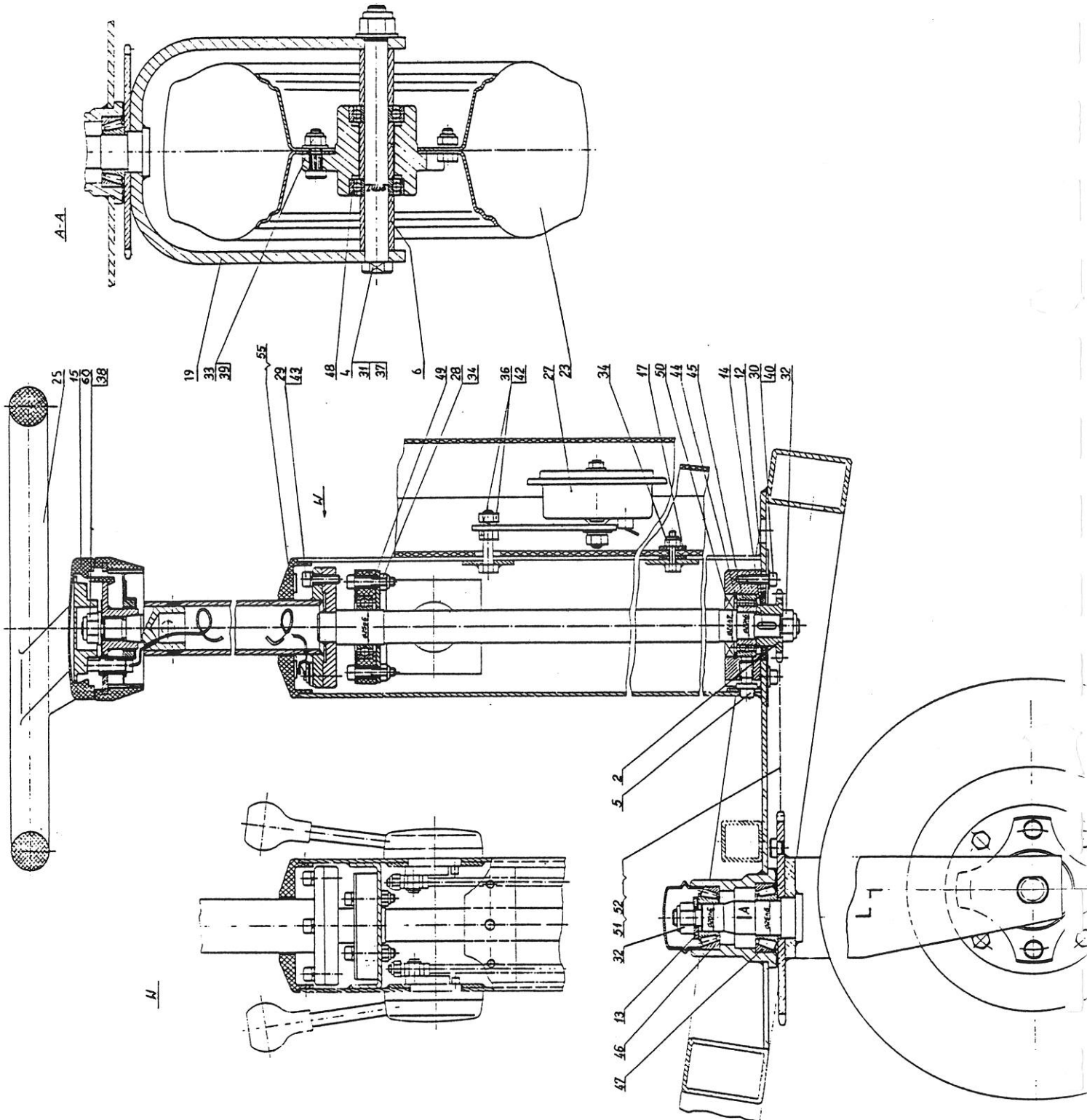
POS BENENNUNG
ITM DESCRIPTION
POS DESIGNATION

2 VORDERRAD-LENKUNG/ FORE-WHEEL ,STEERING/
ROUE DAVANT,VOLANT DE DIR/
3 HINTERACHSE/ REAR AXLE/ AXE D'ARRIERE/
4 STEUERUNG/ CONTROL SYSTEM/ COMMANDE/
5 KEHRWALZENKASTEN/ SWEEP ROLLER CHEST/
COFFRE DE CYLINDR BALAYER/
6 SEITENBESEN KPL / BROOM/ BALAI/ *01
7 FILTERKASTEN/ FILTER BOX/ FILTRE/
8 ANTRIEBSUEBERTRAG / DRIVING TRANSMISSION/
TRANSMISSION D'ENTRAINEM /
9 KEHRBEHAELTER/ SWEEP TANK/ BAC BALAYER/
10 MOTOR KPL / MOTOR/ MOTEUR/
11 STEUERUNG/ CONTROL SYSTEM/ COMMANDE/
12 KEHRWALZE KPL / SPACER/ TAMBOUR/
13 AUFBAU/ CONSTRUCTION/ CONSTRUCTION/
14 E-INSTALLATION/ ELECTRICAL WIRING/
INSTALLATION ELECTRIQUE/
15 SAUGEINRICHTUNG/ SUCTION INSTALLATION/
DISPOSITIV D'ASPIRATION/
16 RAD EINZELTEILE /WHEEL - PIECE PARTS
ROUE - PIECES CONSTITUANTES/

*01 RECHTS
RIGHT
DROIT

GRUPPE: 2 VORDERRAD + LENKUNG
GROUP: 2 FRONT WHEEL
GROUPE: 2 ROUE DIRECTRICE

ETL KMR 1200



GRUPPE: 2 VORDERRAD + LENKUNG
 GROUP: 2 FRONT WHEEL
 GROUPE: 2 ROUE DIRECTRICE

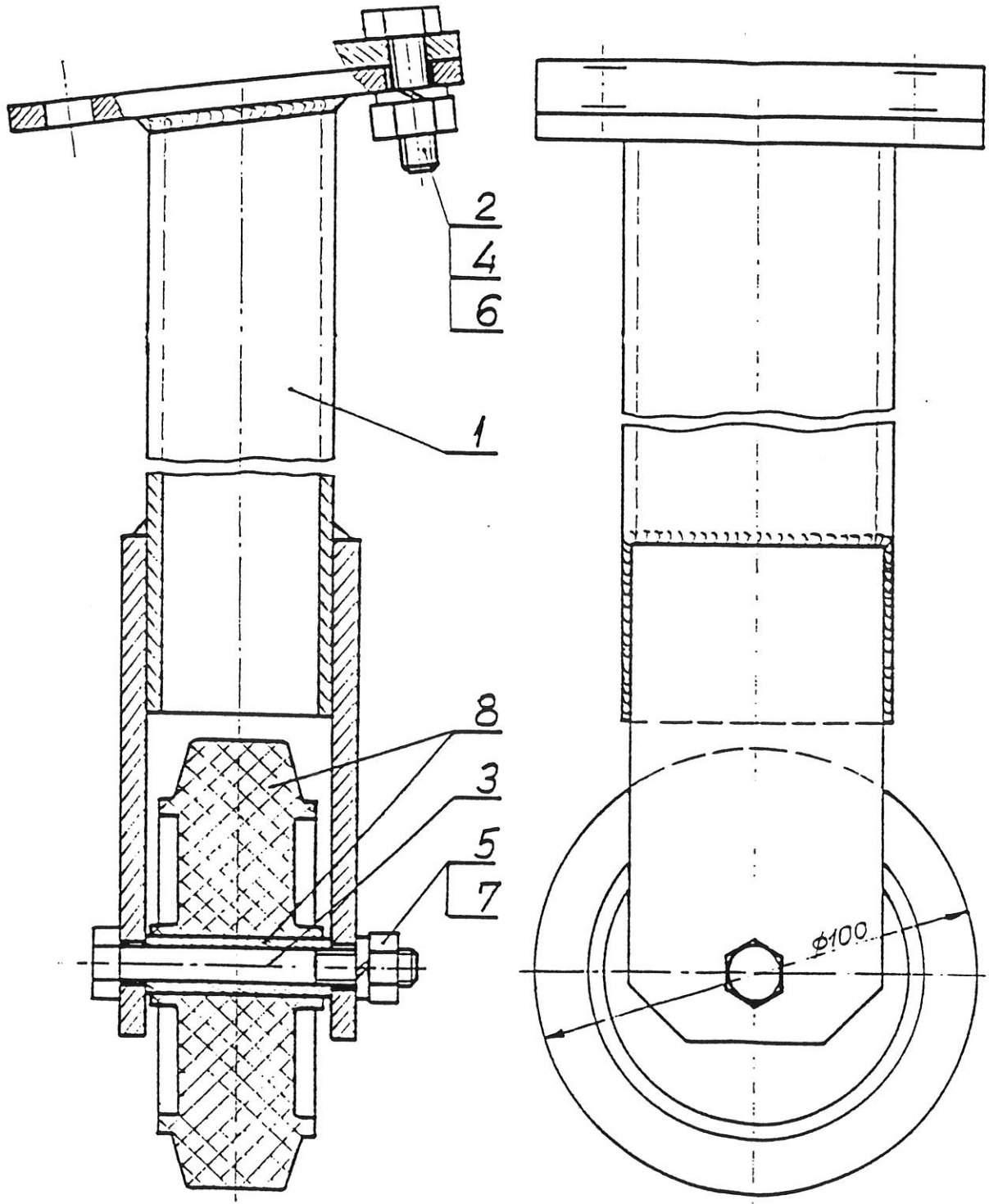
ETL KMR 1200

POS. BENENNUNG ITM. DESCRIPTION POS. DESIGNATION	TEILE-NR. PART-NO. NO. PIECE	STCK QTY. NBR.
2 KETTENRAD/ CHAIN WHEEL/ ROUE DENTEE/	6.432-065.0	1
4 STECKACHSE/ SHAFT/ ESSIEU/	6.437-384.0	1
5 SPANNSCHRAUBE/ SCREW/ VIS/	6.903-431.0	1
6 HUELSE/ SLEEVE/ DOUILLE/	6.347-040.0	3
12 DICHTUNG FILZ/ SEAL/ JOINT/	6.362-265.0	1
13 SPANNSCHEIBE/ WASHER/ RONDELLE/	6.312-029.0	1
14 PASSFEDER 5X 5X 14/ SPRING/ RESSORT D'ADJUSTAGE/	7.318-065.0	1
15 DRUCKTELLER HUPE/ PRESSURE PLATE/ PLATEAU DE PRESSION/	6.439-115.0	1
17 ISOLIERSCHEIBE/ INSULATING WASHER/ RONDELLE ISOLANTE/	6.312-030.0	9
19 RADGABEL/ FORK/ JUMELLE/	6.437-385.0	1
23 RAD KPL./ WHEEL/ ROUE/	SIEHE/ SEE/ VOIR GR. 16	
25 LENKRAD/ STEERING WHEEL/ VOLANT/	6.435-183.0	1
27 SIGNALHORN 12V/ HORN/ KLAXON/	6.424-006.0	1
28 ZYL.SCHR. M 6X 30/ CHEESE HEAD SCREW/ VIS A TETE CYLINDR./	7.306-024.0	4
29 ZYL.SCHR. M 6X 20/ CHEESE HEAD SCREW/ VIS A TETE CYLINDR./	7.306-022.0	4
30 ZYL.SCHR. M 6X 16/ CHEESE HEAD SCREW/ VIS A TETE CYLINDR./	7.306-020.0	4
31 6KT-MUTTER M14X1,5/ HEXAGON NUT/ ECROU HEXAGONAL/	7.311-434.0	1
32 6KT-MUTTER M12X1,25/ HEXAGON NUT/ ECROU HEXAGONAL/	7.311-435.0	2
33 6KT-MUTTER M 8/ HEXAGON NUT/ ECROU HEXAGONAL/	7.311-427.0	4
34 6KT-MUTTER M 6/ HEXAGON NUT/ ECROU HEXAGONAL/	7.311-425.0	8
36 6KT-MUTTER M 8/ HEXAGON NUT/ ECROU HEXAGONAL/	7.311-004.0	2

GRUPPE: 2 VORDERRAD + LENKUNG
GROUP: 2 FRONT WHEEL
GROUPE: 2 ROUE DIRECTRICE

ETL KMR 1200

POS.	BENENNUNG	TEILE-NR.	STCK
ITM.	DESCRIPTION	PART-NO.	QTY.
POS.	DESIGNATION	NO.PIECE	NBR.
37	SCHEIBE B 15/ WASHER/ RONDELLE/	7.312-028.0	1
38	SCHEIBE B 13/ WASHER/ RONDELLE/	7.312-008.0	1
39	SCHEIBE B 8,4/ WASHER/ RONDELLE/	7.312-004.0	4
40	SCHEIBE B 6,4/ WASHER/ RONDELLE/	7.312-003.0	4
42	FEDERRING B 8/ SPRING WASHER/ RONDELLE GROWER/	7.313-004.0	4
43	FEDERRING B 6/ SPRING WASHER/ RONDELLE GROWER/	7.313-003.0	1
44	S-RING 47X1,75/ SPRING CLIP/ CIRCLIP/	7.343-115.0	1
45	PENDELKUGELLAGER/ SPHERICAL BALL BEARING/ ROULEMENT A BILLE ARTICUL/	6.401-212.0	1
46	ROLLENLAGER 30204/ CYLINDER BEARING/ ROULEMENT/	7.401-304.0	1
47	ROLLENLAGER 30205/ CYLINDER BEARING/ ROULEMENT/	7.401-305.0	1
48	KUGELLAGER 6203-2RS/ BALL BEARING/ ROULEMENT A BILLE/	7.401-134.0	2
49	KUGELLAGER 6005-2RS/ BALL BEARING/ ROULEMENT A BILLE/	7.401-110.0	1
50	WELLENDICHTRING/ ROTARY SHAFT SEAL/ JOINT (ARBRE)/	6.367-042.0	1
51	ROLLENKETTE/ ROLLOER CHAIN/ CHAINE A ROULEAUX/	6.432-061.0	1
52	VERSCHLUSSGLIED/ CLOSING LINK/ MAILLON DE FERMETURE/	6.432-062.0	1
55	BL.SCHR. ST2,9X 9,5/ SHEET METAL SCREW/ VIS A TOLE/	7.303-001.0	2
60	6KT-MUTTER M12X1,25/ HEXAGON NUT/ ECROU HEXAGONAL/	7.311-169.0	1



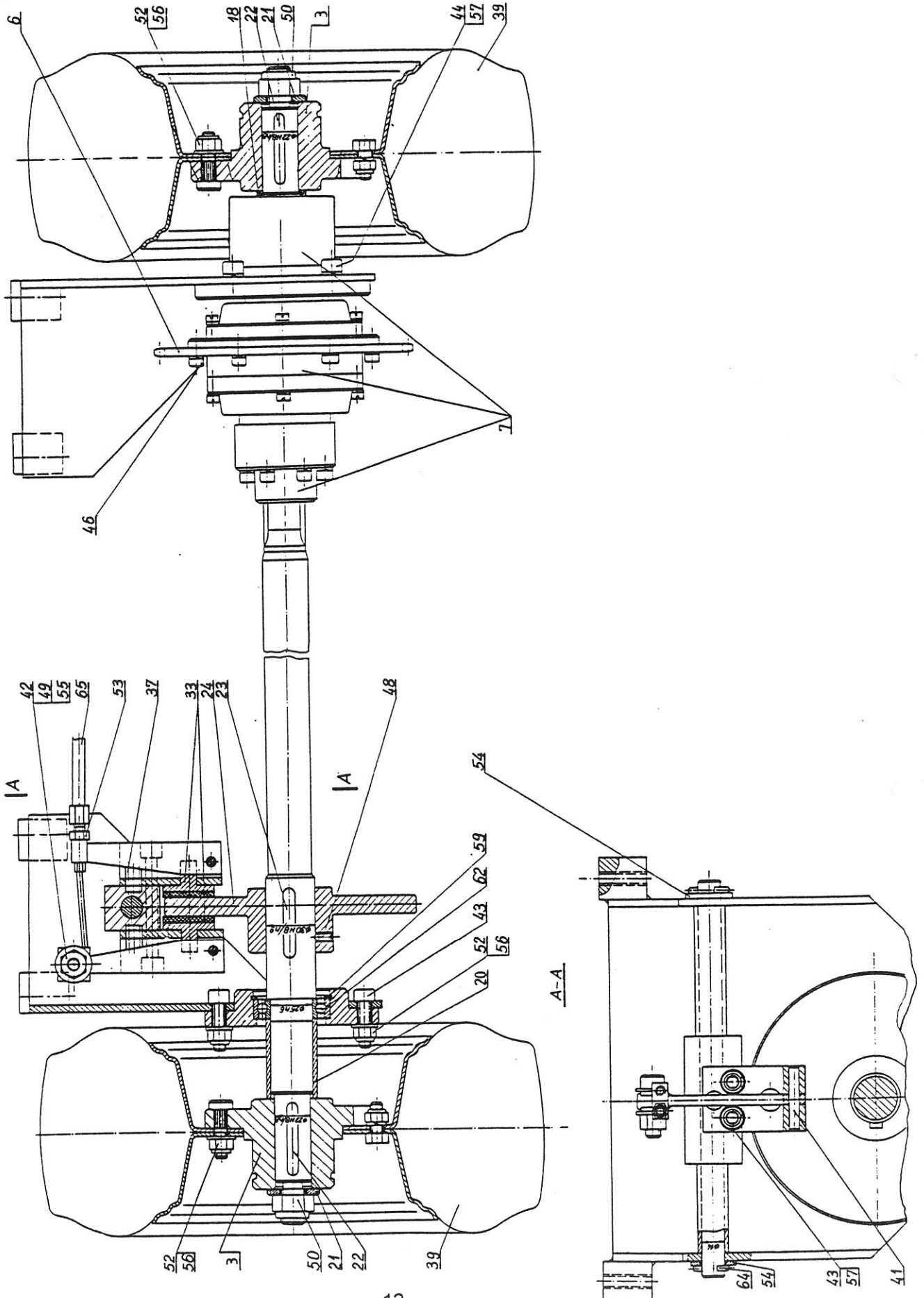
GRUPPE: 2.1 STUETZRAD
GROUP: 2.1 SUPPORT WHEEL
GROUPE: 2.1 ROUE D'APPUI

ETL KMR 1200

POS. BENENNUNG ITM. DESCRIPTION POS. DESIGNATION	TEILE-NR. PART-NO. NO. PIECE	STCK QTY. NBR.
1 STUETZE/ STAY/ SUPPORT/	6.435-189.0	2
2 6KT-SCHR. M10X 30/ HEXAGONAL HEAD SCREW/ VIS HEXAGONAL/	7.304-417.0	8
3 6KT-SCHR. M 8X 65/ HEXAGONAL HEAD SCREW/ VIS HEXAGONAL/	7.304-402.0	2
4 6KT-MUTTER M10/ HEXAGON NUT/ ECROU HEXAGONAL/	7.311-006.0	8
5 6KT-MUTTER M 8/ HEXAGON NUT/ ECROU HEXAGONAL/	7.311-004.0	2
6 FEDERRING B 10/ SPRING WASHER/ RONDELLE GROWER/	7.313-005.0	8
7 FEDERRING B 6/ SPRING WASHER/ RONDELLE GROWER/	7.313-003.0	2
8 RAD/ WHEEL/ ROUE/	6.435-147.0	2

GRUPPE: 3 HINTERACHSE
GROUP: 3 REAR AXLE
GROUPE: 3 AXE D'ARRIERE

ETL KMR 1200



GRUPPE: 3 HINTERACHSE
GROUP: 3 REAR AXLE
GROUPE: 3 AXE D'ARRIERE

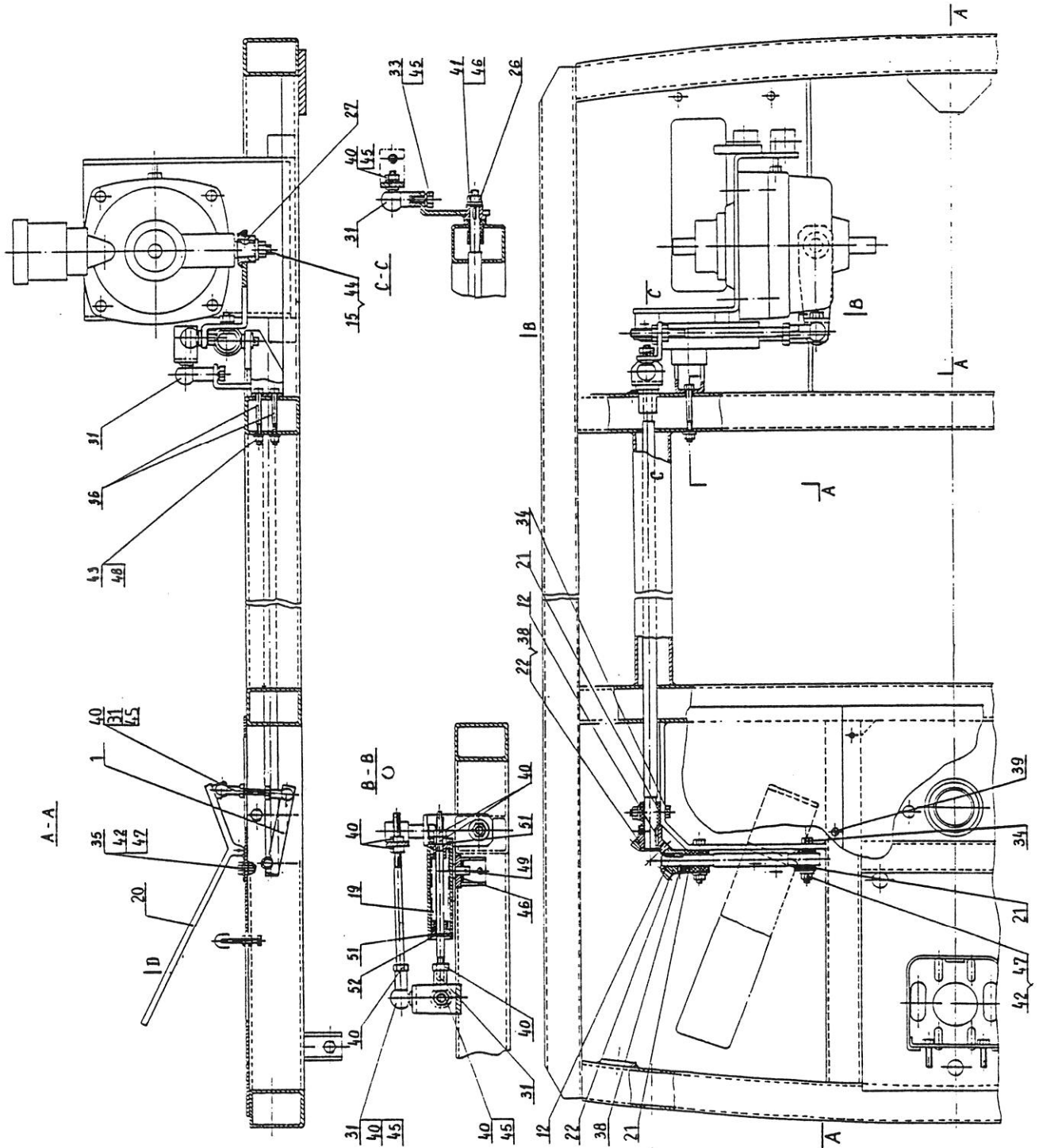
ETL KMR 1200

POS. BENENNUNG ITM. DESCRIPTION POS. DESIGNATION	TEILE-NR. PART-NO. NO. PIECE	STCK QTY. NBR.
3 RADNABE HINTEN/ WHEEL HUB/ MOYEU DE ROUE/	6.437-387.0	2
6 KETTENRAD Z=38/ CHAIN WHEEL/ ROUE DENTEE/	6.432-066.0	1
7 DIFFERENTIAL KPL./ DIFFERENTIAL/ DIFFERENTIELLE/	6.454-019.0	1
18 DISTANZRING/ SPACER RING/ BAGUE D'ECARTEMENT/	6.346-018.0	1
20 BUECHSE/ BUSH/ DOUILLE/	6.347-041.0	1
21 SCHEIBE B 15/ WASHER/ RONDELLE/	7.312-046.0	2
22 PASSFEDER 8X 7X 45/ SPRING/ RESSORT D'ADJUSTAGE/	7.318-066.0	2
23 PASSFEDER 6X 6X 45/ SPRING/ RESSORT D'ADJUSTAGE/	7.318-067.0	1
24 BREMSSCHEIBE/ BRAKE PULLEY/ POULIE-FREIN/	6.467-002.0	1
33 BREMSBACKE/ BRAKE SHOE/ MACHOIRE DE FREIN/	6.467-005.0	2
37 FEDER/ SPRING/ RESSORT/	6.467-006.0	2
39 RAD KPL./ WHEEL/ ROUE/	SIEHE/ SEE/ VOIR GR. 16	
41 ZYL.STIFT 6,0X 35/ STRAIGHT PIN/ GOUPILLE CYLINDR./	7.314-131.0	2
42 ZYL.SCHR. M10X 25/ CHEESE HEAD SCREW/ VIS A TETE CYLINDR./	7.306-062.0	1
43 ZYL.SCHR. M 8X 30/ CHEESE HEAD SCREW/ VIS A TETE CYLINDR./	7.306-043.0	8
44 ZYL.SCHR. M 8X 20/ CHEESE HEAD SCREW/ VIS A TETE CYLINDR./	7.306-041.0	4
46 ZYL.SCHR. M 6X 16/ CHEESE HEAD SCREW/ VIS A TETE CYLINDR./	7.306-020.0	6
48 GEW.STIFT M 6X 10/ THREADED PIN/ VIS SANS TETE/	7.307-192.0	1
49 6KT-MUTTER M10/ HEXAGON NUT/ ECROU HEXAGONAL/	7.311-006.0	1
50 6KT-MUTTER M14X1,5/ HEXAGON NUT/ ECROU HEXAGONAL/	7.311-434.0	2

GRUPPE: 3 HINTERACHSE
GROUP: 3 REAR AXLE
GROUPE: 3 AXE D'ARRIERE

ETL KMR 1200

POS.	BENENNUNG	TEILE-NR.	STCK
ITM.	DESCRIPTION	PART-NO.	QTY.
POS.	DESIGNATION	NO.PIECE	NBR.
52	6KT-MUTTER M 8/ HEXAGON NUT/ ECROU HEXAGONAL/	7.311-427.0	12
53	6KT-MUTTER M 6/ HEXAGON NUT/ ECROU HEXAGONAL/	7.311-003.0	1
54	SCHEIBE B 15/ WASHER/ RONDELLE/	7.312-028.0	2
55	SCHEIBE B 10,5/ WASHER/ RONDELLE/	7.312-005.0	2
56	SCHEIBE B 8,4/ WASHER/ RONDELLE/	7.312-004.0	12
57	FEDERRING B 8/ SPRING WASHER/ RONDELLE GROWER/	7.313-004.0	8
59	S-RING 47X1,75/ SPRING CLIP/ CIRCLIP/	7.343-115.0	1
62	KUGELLAGER 6005-2RS/ BALL BEARING/ ROULEMENT A BILLE/	7.401-110.0	2
64	SPLINT 3,2X 20/ COTTER/ GOUPILLE FENDUE/	7.316-342.0	2
65	SEIL/ ROPE/ CABLE/	SIEHE/ SEE/ VOIR GR. 11	



GRUPPE: 4 STEUERUNG - HYDRAULIKGETRIEBE
 GROUP: 4 CONTROL SYSTEM OF FLUID DRIVE
 GROUPE: 4 COMMANDE DE TRANSMISSION HYDRAULIK

ETL KMR 1200

BIS WERKNR/ UP TO SER NO / JUSQU'AU NO.DE FABR 10019

POS.	BENENNUNG ITM. DESCRIPTION POS. DESIGNATION	TEILE-NR. PART-NO. NO. PIECE	STCK QTY. NBR.
1	WELLE/ SHAFT/ ARBRE/	6.439-117.0	1
12	PASSFEDER 4X 4X 20/ SPRING/ RESSORT D'ADJUSTAGE/	7.318-058.0	2
15	6KT-MUTTER/ HEXAGON NUT/ ECROU HEXAGONAL/	6.310-072.0	1
19	FEDER/ SPRING/ RESSORT/	6.330-029.0	1
20	PEDAL/ PEDAL/ PEDALE/	6.439-118.0	1
21	LAGERBOCK/ BEARING BLOCK/ SELLE D'APPUI/	6.401-215.0	3
22	KEGELZAHNRAD/ GEAR WHEEL/ ROUE DENTEE/	6.454-011.0	2
26	PASSFEDER 4X 4X 10/ SPRING/ RESSORT D'ADJUSTAGE/	7.318-069.0	1
27	SCHEIBENFEDER/ CURVED WASHER/ CLAVETTE/	6.318-001.0	1
31	KUGELGELENK M 8/ GLOBE JOINT/ ROTULE/	6.439-113.0	3
33	6KT-SCHR. M 8X 16/ HEXAGONAL HEAD SCREW/ VIS HEXAGONAL/	7.304-395.0	1
34	6KT-SCHR. M 6X 40/ HEXAGONAL HEAD SCREW/ VIS HEXAGONAL/	7.304-389.0	6
35	6KT-SCHR. M 6X 20/ HEXAGONAL HEAD SCREW/ VIS HEXAGONAL/	7.304-385.0	2
36	6KT-SCHR. M 5X 50/ HEXAGONAL HEAD SCREW/ VIS HEXAGONAL/	7.304-077.0	2
38	GEW.STIFT M 6X 6/ THREADED PIN/ VIS SANS TETE/	7.307-032.0	2
39	SENKSCHR. M 5X 10/ FLAT HEADED SCREW/ VIS A TETE CONIQUE/	7.305-041.0	4
40	6KT-MUTTER M 8/ HEXAGON NUT/ ECROU HEXAGONAL/	7.311-004.0	9
41	6KT-MUTTER M 8/ HEXAGON NUT/ ECROU HEXAGONAL/	7.311-427.0	1
42	6KT-MUTTER M 6/ HEXAGON NUT/ ECROU HEXAGONAL/	7.311-425.0	8

GRUPPE: 4 STEUERUNG - HYDRAULIKGETRIEBE
GROUP: 4 CONTROL SYSTEM OF FLUID DRIVE
GROUPE: 4 COMMANDE DE TRANSMISSION HYDRAULIK

ETL KMR 1200

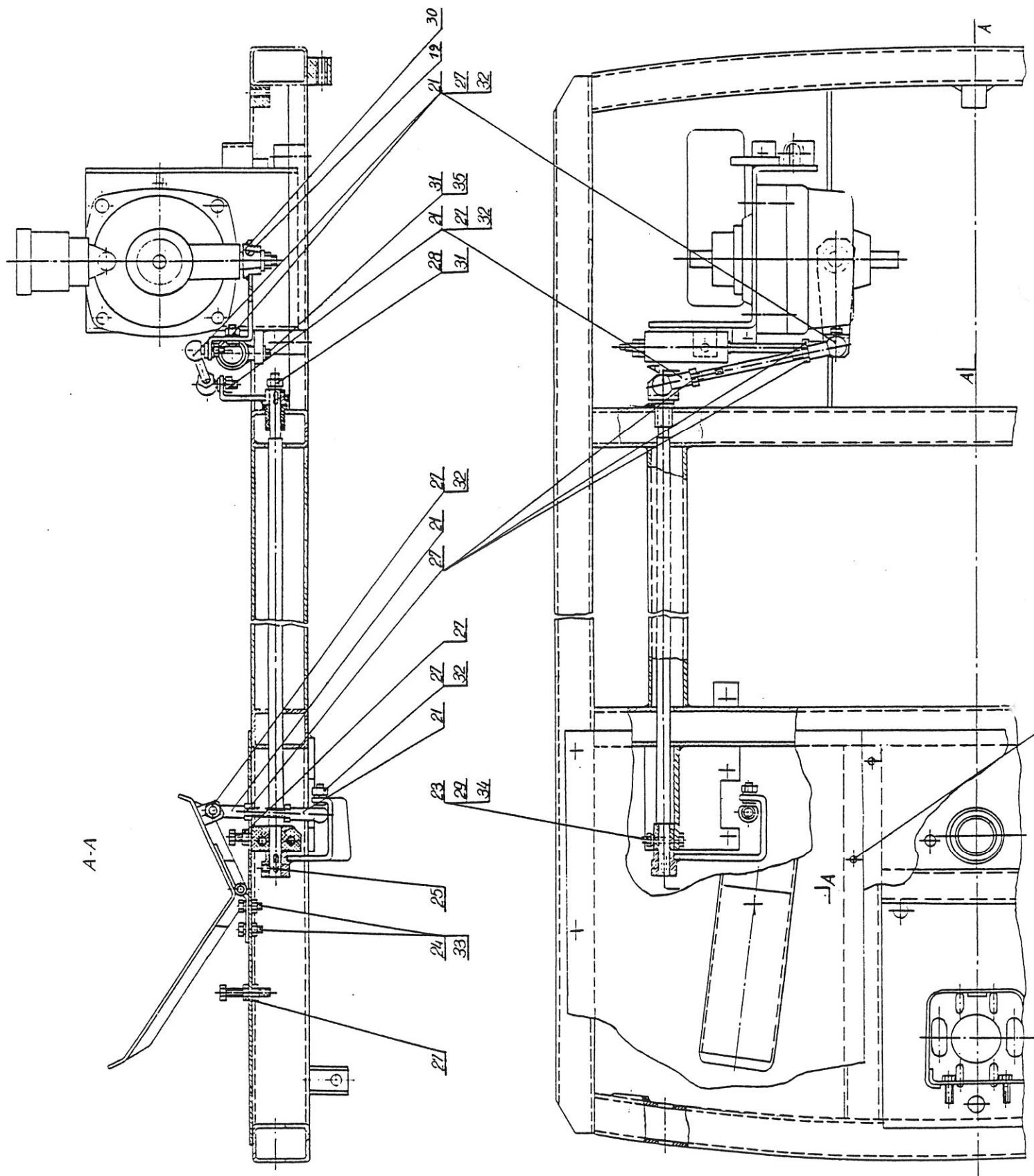
BIS WERKNR/ UP TO SER NO / JUSQU'AU NO.DE FABR 10019

POS.	BENENNUNG	TEILE-NR.	STCK
ITM.	DESCRIPTION	PART-NO.	QTY.
POS.	DESIGNATION	NO.PIECE	NBR.
43	6KT-MUTTER M 5/ HEXAGON NUT/ ECROU HEXAGONAL/	7.311-002.0	2
44	SCHEIBE B 10,5/ WASHER/ RONDELLE/	7.312-005.0	1
45	FEDERRING B 8/ SPRING WASHER/ RONDELLE GROWER/	7.313-004.0	3
46	SCHEIBE B 8,4/ WASHER/ RONDELLE/	7.312-004.0	2
47	SCHEIBE B 6,4/ WASHER/ RONDELLE/	7.312-003.0	8
48	FEDERRING B 5/ SPRING WASHER/ RONDELLE GROWER/	7.313-002.0	2
49	SPLINT 2,0X 16/ COTTER/ GOUPILLE FENDUE/	7.316-336.0	3
51	S-RING 22X1/ SPRING CLIP/ CIRCLIP/	7.343-105.0	2
52	S-RING 8X0,8/ SPRING CLIP/ CIRCLIP/	7.343-014.0	1

GRUPPE: 4 STEUERUNG - HYDRAULIKGETRIEBE
GROUP: 4 CONTROL SYSTEM OF FLUID DRIVE
GROUPE: 4 COMMANDE DE TRANSMISSION HYDRAULIK

ETL KMR 1200

AB WERKNR/ FROM SER NO/ A PARTIR DU NO.DE FABR 10020



GRUPPE: 4 STEUERUNG - HYDRAULIKGETRIEBE
GROUP: 4 CONTROL SYSTEM OF FLUID DRIVE
GROUPE: 4 COMMANDE DE TRANSMISSION HYDRAULIK

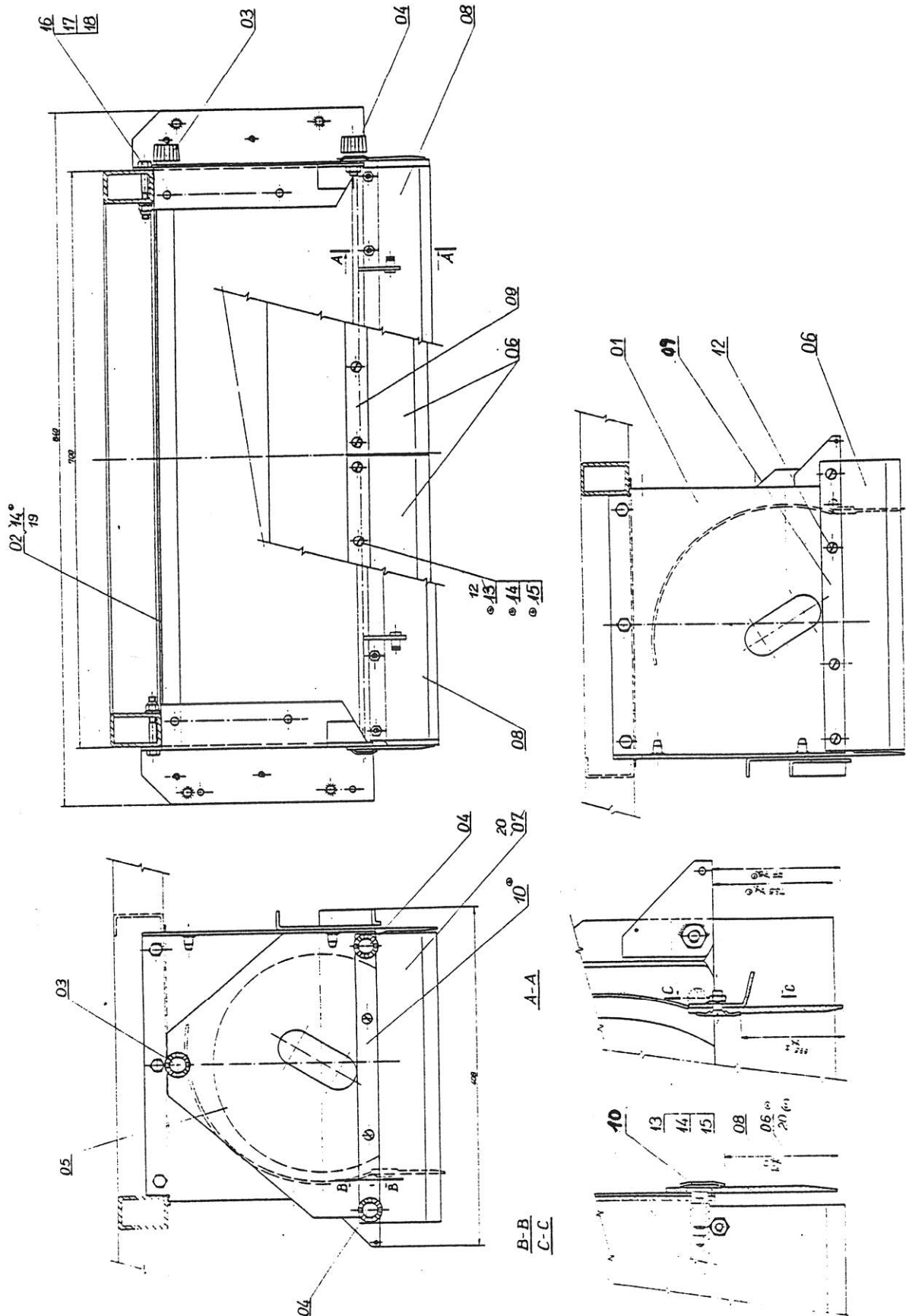
ETL KMR 1200

AB WERKNR/ FROM SER NO/ A PARTIR DU NO.DE FABR 10020

POS.	BENENNUNG	TEILE-NR.	STCK
ITM.	DESCRIPTION	PART-NO.	QTY.
POS.	DESIGNATION	NO. PIECE	NBR.
19	SCHEIBENFEDER/ CURVED WASHER/ CLAVETTE/	6.318-001.0	1
21	KUGELGELENK M 8/ GLOBE JOINT/ ROTULE/	6.439-113.0	5
23	6KT-SCHR. M 6X 40/ HEXAGONAL HEAD SCREW/ VIS HEXAGONAL/	7.304-389.0	2
24	6KT-SCHR. M 6X 20/ HEXAGONAL HEAD SCREW/ VIS HEXAGONAL/	7.304-385.0	3
25	GEW.STIFT M 6X 6/ THREADED PIN/ VIS SANS TETE/	7.307-032.0	1
26	SENKSCHR. M 5X 10/ FLAT HEADED SCREW/ VIS A TETE CONIQUE/	7.305-041.0	6
27	6KT-MUTTER M 8/ HEXAGON NUT/ ECROU HEXAGONAL/	7.311-004.0	12
28	6KT-MUTTER M 8/ HEXAGON NUT/ ECROU HEXAGONAL/	7.311-427.0	1
29	6KT-MUTTER M 6/ HEXAGON NUT/ ECROU HEXAGONAL/	7.311-425.0	2
30	SCHEIBE B 10,5/ WASHER/ RONDELLE/	7.312-005.0	1
31	SCHEIBE B 8,4/ WASHER/ RONDELLE/	7.312-004.0	2
32	FEDERRING B 8/ SPRING WASHER/ RONDELLE GROWER/	7.313-004.0	5
33	FEDERRING B 5/ SPRING WASHER/ RONDELLE GROWER/	7.313-002.0	2
34	SCHEIBE B 6,4/ WASHER/ RONDELLE/	7.312-003.0	2
35	SPLINT 2,0X 16/ COTTER/ GOUPILLE FENDUE/	7.316-336.0	1

GRUPPE: 5 KEHRWALZENKASTEN
 GROUP: 5 SWEEP ROLLER CHEST
 GROUPE: 5 COFFRE DE CYLINDR. BALAYER

ETL KMR 1200



GRUPPE: 5 KEHRWALZENKASTEN
 GROUP: 5 SWEEP ROLLER CHEST
 GROUPE: 5 COFFRE DE CYLINDR.BALAYER

ETL KMR 1200

POS. BENENNUNG ITM. DESCRIPTION POS. DESIGNATION	TEILE-NR. PART-NO. NO. PIECE	STCK QTY. NBR.	
3 HANDMUTTER M 8/ NUT/ ECROU/	6.310-066.0	1	
4 HANDSCHRAUBE M 8X16/ HAND SCREW/ CRIC A MAIN/	6.304-063.0	2	
5 KEHRWALZENDECKEL/ SPACER-COVER/ COUVERCLE DE TAMBOUR/	6.903-486.0	1	
6 GUMMISCHUERZE/ RUBBER APRON/ TABLIER CAOUTCHOUC/	6.903-474.0	4	*01
8 GUMMISCHUERZE/ RUBBER APRON/ TABLIER CAOUTCHOUC/	6.903-442.0	2	*02
12 SENKSCHR. M 6X 10/ FLAT HEADED SCREW/ VIS A TETE CONIQUE/	7.305-059.0	14	
13 SENKSCHR. M 6X 16/ FLAT HEADED SCREW/ VIS A TETE CONIQUE/	7.305-061.0	8	
14 6KT-MUTTER M 6/ HEXAGON NUT/ ECROU HEXAGONAL/	7.311-425.0	8	
15 SCHEIBE B 6,4/ WASHER/ RONDELLE/	7.312-003.0	8	
16 6KT-SCHR. M 8X 60/ HEXAGONAL HEAD SCREW/ VIS HEXAGONAL/	7.304-096.0	6	
17 6KT-MUTTER M 8/ HEXAGON NUT/ ECROU HEXAGONAL/	7.311-427.0	6	
18 SCHEIBE B 8,4/ WASHER/ RONDELLE/	7.312-004.0	6	
20 GUMMISCHUERZE/ RUBBER APRON/ TABLIER CAOUTCHOUC/	6.905-076.0	2	*03

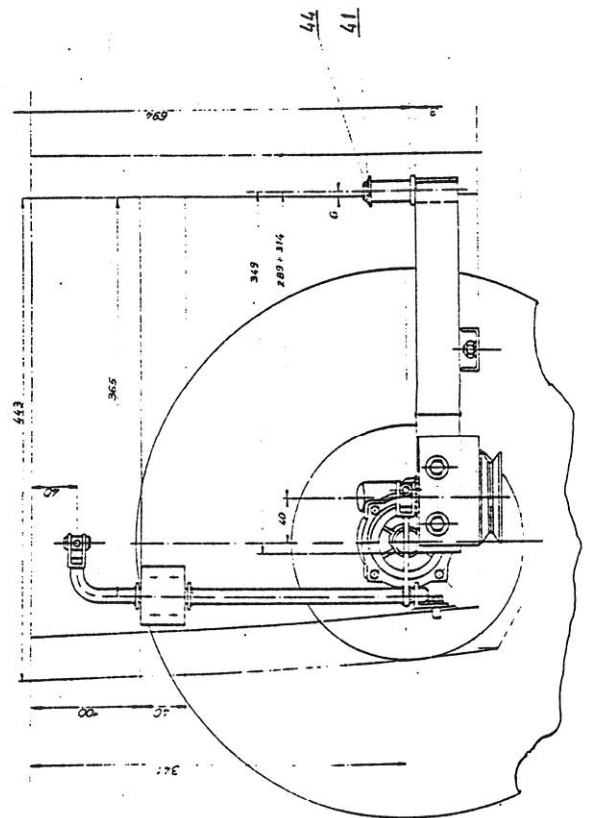
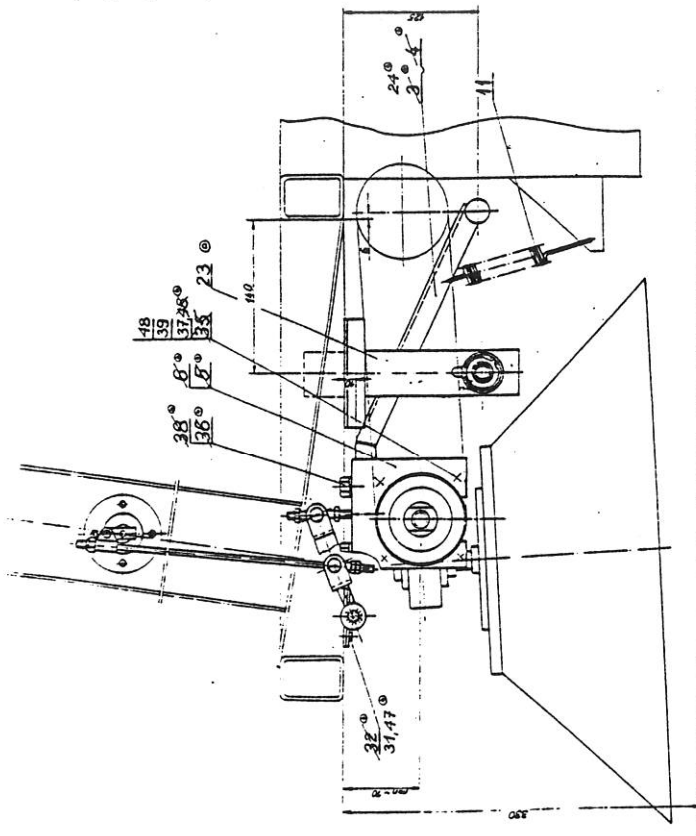
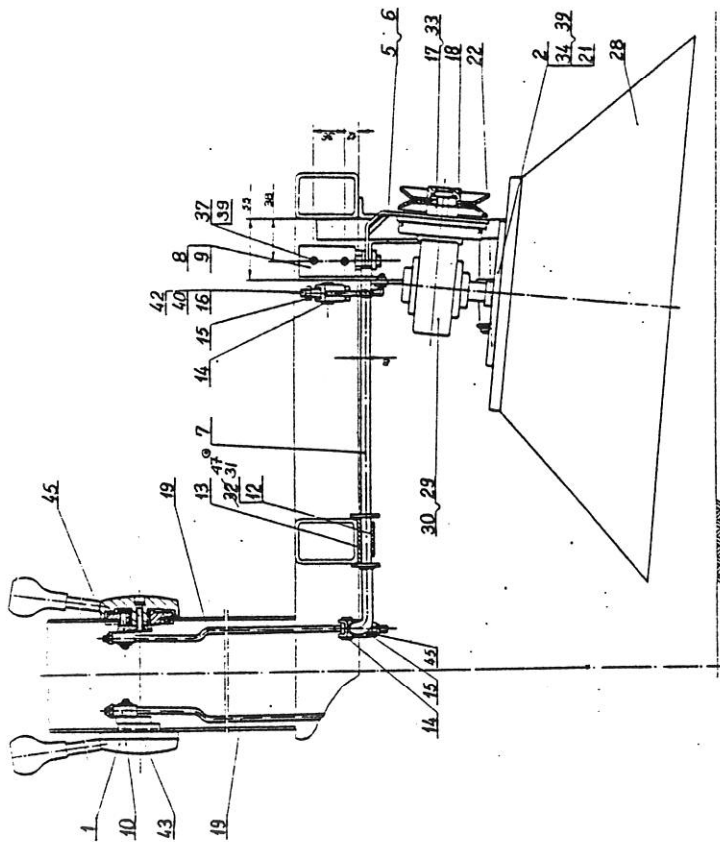
*01 HINTEN
BEHIND
DERRIERE

*02 VORNE
BEFORE
DEVANT

*03 LINKS, RECHTS
LEFT, RIGHT
GAUCHE, DROIT

GRUPPE: 6 SEITENBESEN (RECHTS)
 GROUP: 6 BROOM (RIGHT)
 GROUPE: 6 BALAI (A DROITE)

ETL KMR 1200



GRUPPE: 6 SEITENBESEN (RECHTS)
 GROUP: 6 BROOM (RIGHT)
 GROUPE: 6 BALAI (A DROITE)

ETL KMR 1200

POS.	BENENNUNG	TEILE-NR.	STCK
ITM.	DESCRIPTION	PART-NO.	QTY.
POS.	DESIGNATION	NO. PIECE	NBR.
7	GESTAENGE/ SAFETY ROD/ TRINGLES/	6.903-407.0	1
8	HALTERUNG RECHTS/ BRACKET/ FIXATION/	6.905-038.0	1
10	HUELSE/ SLEEVE/ DOUILLE/	6.347-051.0	1
11	FEDER/ SPRING/ RESSORT/	6.330-034.0	1
12	ROHRSCHELLE/ PIPE CLAMP/ COLLIER D'ATTACHE/	6.373-522.0	1
13	PLATTE/ PLATE/ PLAQUE/	6.903-490.0	1
14	BOLZEN D 12/ BOLT/ BOULON/	6.316-042.0	2
15	REGULIERMUTTER/ NUT/ ECROU/	6.310-068.0	4
16	GESTAENGE/ SAFETY ROD/ TRINGLES/	6.903-408.0	1
17	NABE/ HUB/ MOYEU/	6.437-386.0	1
18	NABENMUTTER/ NUT/ ECROU/	6.310-067.0	1
19	GESTAENGE/ SAFETY ROD/ TRINGLES/	6.903-516.0	1
21	PASSFEDER 5X 5X 20/ SPRING/ RESSORT D'ADJUSTAGE/	7.318-070.0	1
22	RIEMENSCHLEIBENHAEL./ PULLEY-HALF/ DEMI-POULIE/	6.348-217.0	2
23	HALTERUNG/ BRACKET/ FIXATION/	6.393-760.0	1
28	SEITENBESEN HART/ BROOM/ BALAI/	6.903-380.0	1 *01
28	SEITENBESEN MITTEL/ BROOM/ BALAI/	6.903-410.0	1 *02
28	SEITENBESEN STAHL/ BROOM/ BALAI/	6.903-939.0	1 *03
28	SEITENBESEN WEICH/ BROOM/ BALAI/	6.905-007.0	1 *04
30	SCHNECKENGETRIEBE/ WORM GEAR PAIR/ ENGRENAGE A VIS/	6.454-012.0	1
31	6KT-SCHR. M 5X 10/ HEXAGONAL HEAD SCREW/ VIS HEXAGONAL/	7.304-370.0	4
33	GEW.STIFT M 5X 6/ THREADED PIN/ VIS SANS TETE/	7.307-037.0	1
34	ZYL.SCHR. M 6X 20/ CHEESE HEAD SCREW/ VIS A TETE CYLINDR./	7.306-022.0	1

GRUPPE: 6 SEITENBESEN (RECHTS)
GROUP: 6 BROOM (RIGHT)
GROUPE: 6 BALAI (A DROITE)

ETL KMR 1200

POS.	BENENNUNG	TEILE-NR.	STCK
ITM.	DESCRIPTION	PART-NO.	QTY.
POS.	DESIGNATION	NO. PIECE	NBR.
37	6KT-SCHR. M 6X 12/ HEXAGONAL HEAD SCREW/ VIS HEXAGONAL/	7.304-382.0	6
39	FEDERRING B 6/ SPRING WASHER/ RONDELLE GROWER/	7.313-003.0	6
40	SCHEIBE B 6,4/ WASHER/ RONDELLE/	7.312-003.0	2
41	SCHEIBE B 21/ WASHER/ RONDELLE/	7.312-018.0	1
42	SPLINT 1,6X 12/ COTTER/ GOUPILLE FENDUE/	7.316-321.0	2
43	S-RING 8X0,8/ SPRING CLIP/ CIRCLIP/	7.343-014.0	1
44	S-RING 20X1,2/ SPRING CLIP/ CIRCLIP/	7.343-007.0	1
45	6KT-MUTTER M 6/ HEXAGON NUT/ ECROU HEXAGONAL/	7.311-425.0	1
46	S-K-RIEMEN XPZ 812/ V-BELT/ COURROIE TRAPEZOID/	7.348-225.0	1
47	FEDERRING B 5/ SPRING WASHER/ RONDELLE GROWER/	7.313-002.0	4
48	6KT-MUTTER M 6/ HEXAGON NUT/ ECROU HEXAGONAL/	7.311-067.0	4

*01 HART
HARD
DUR

*02 MITTEL
MEDIUM HARD
MOYEN DUR

*03 STAHL
STEEL
ACIER

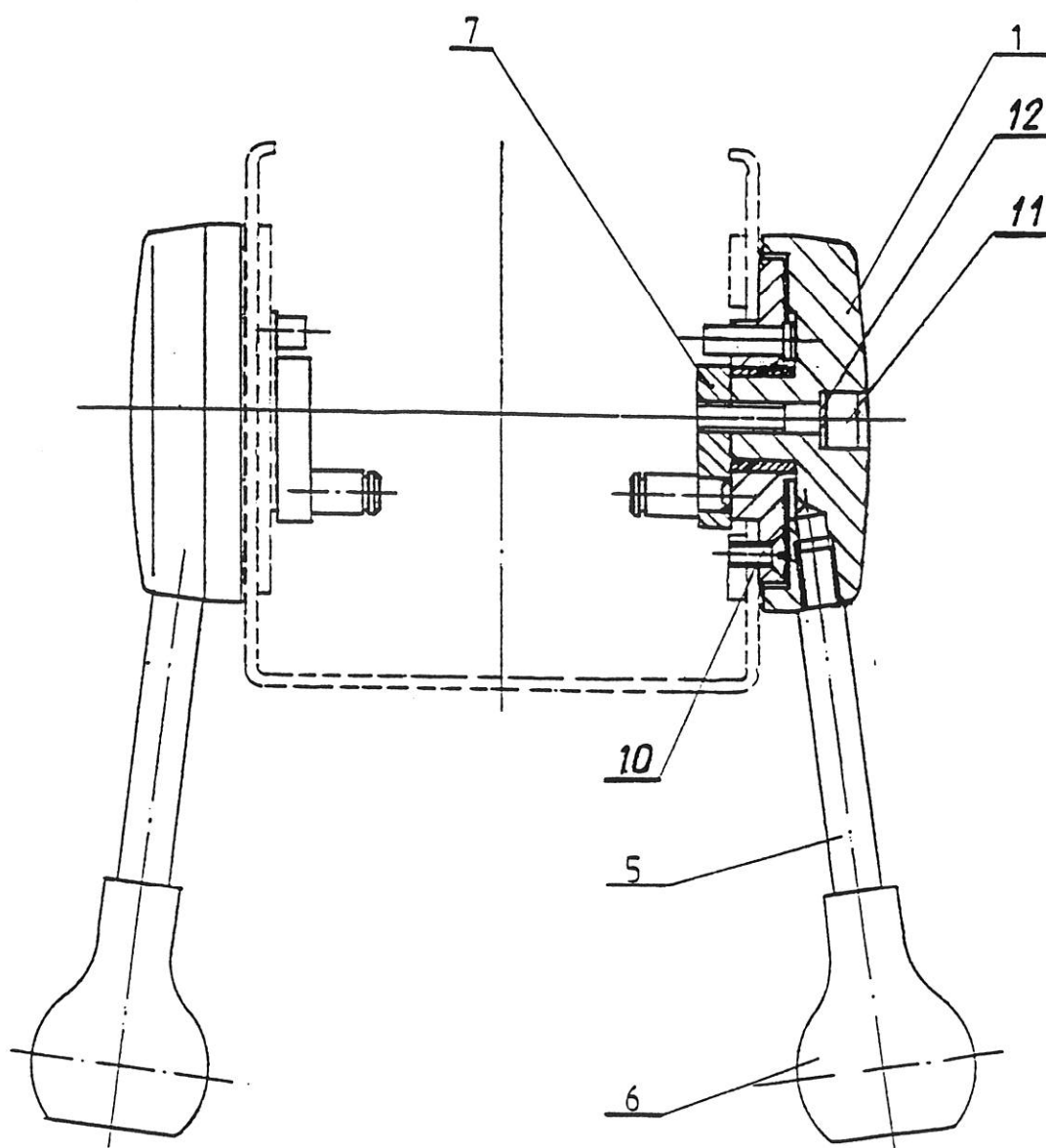
*04 WEICH
SOFT
MOU

GRUPPE: 6.1 STEUERUNG SEITENBESEN (RECHTS)
GROUP: 6.1 CONTROL SYSTEM BROOM (RIGHT)
GROUPE: 6.1 BALAI (A DROITE) COMMANDE

ETL KMR 1200

BIS WERKNR/ UP TO SER NO / JUSQU'AU NO.DE FABR

10019



GRUPPE: 6.1 STEUERUNG SEITENBESEN (RECHTS) ETL KMR 1200
GROUP: 6.1 CONTROL SYSTEM BROOM (RIGHT)
GROUPE: 6.1 BALAI (A DROITE) COMMANDE

BIS WERKNR/ UP TO SER NO / JUSQU'AU NO.DE FABR 10019

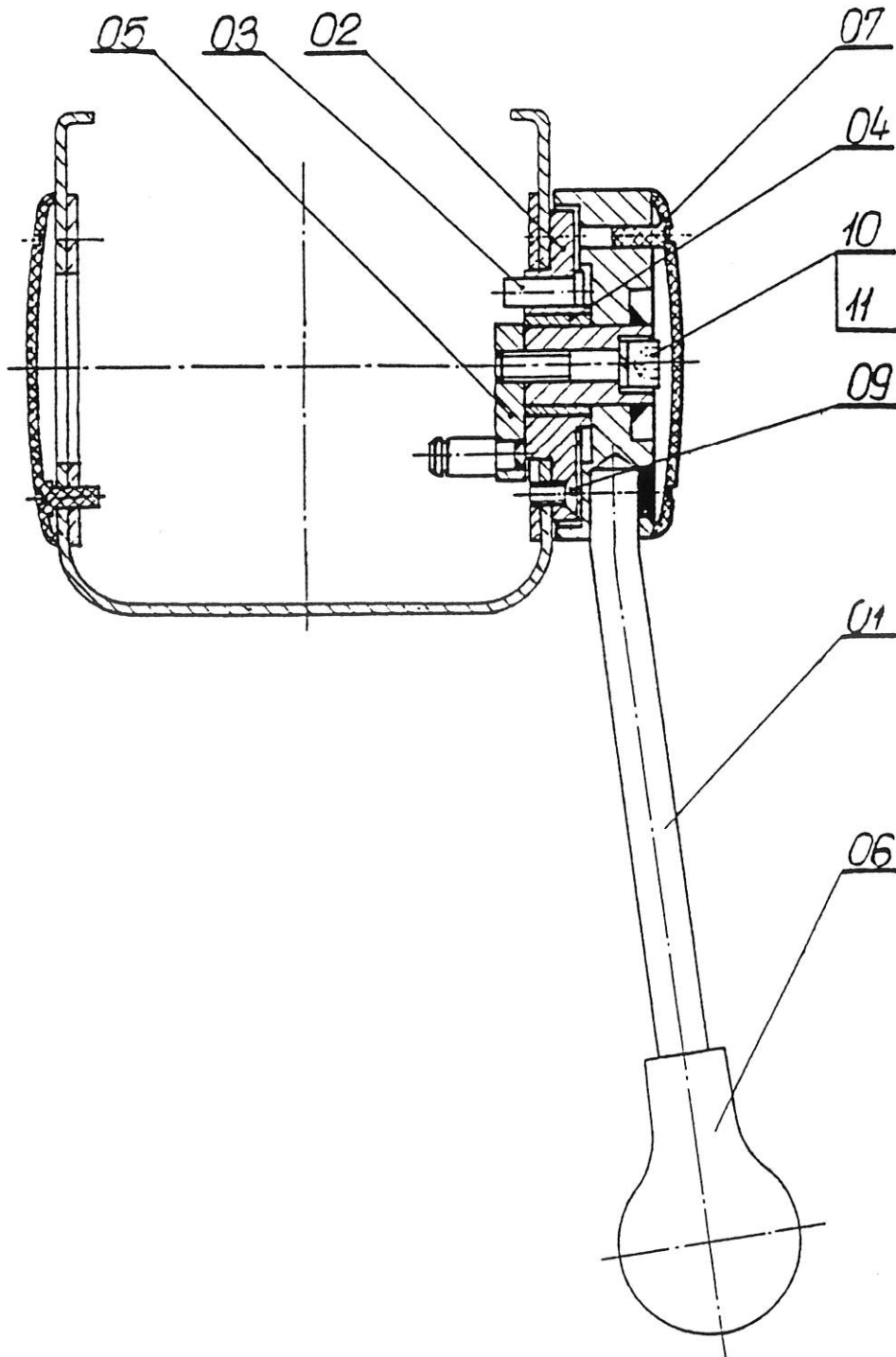
POS. BENENNUNG	TEILE-NR.	STCK
ITM. DESCRIPTION	PART-NO.	QTY.
POS. DESIGNATION	NO.PIECE	NBR.
1 ABDECKUNG/ COVER/ COUVERCLE/	6.903-487.0	1
5 STANGE/ BAR/ TIGE/	6.903-488.0	1
6 GRIFF D36/ HANDLE/ POIGNEE/	6.321-080.0	1
7 KURBEL/ CRANK/ MANIVELLE/	6.322-014.0	1
10 SENKSCHR. M 5X 10/ FLAT HEADED SCREW/ VIS A TETE CONIQUE/	7.305-041.0	4
11 ZYL.SCHR. M 6X 25/ CHEESE HEAD SCREW/ VIS A TETE CYLINDR./	7.306-023.0	1
12 FEDERRING B 6/ SPRING WASHER/ RONDELLE GROWER/	7.313-003.0	1

GRUPPE: 6.1 STEUERUNG SEITENBESEN (RECHTS)
GROUP: 6.1 CONTROL SYSTEM BROOM (RIGHT)
GROUPE: 6.1 BALAI (A DROITE) COMMANDE

ETL KMR 1200

AB WERKNR/ FROM SER NO/ A PARTIR DU NO.DE FABR

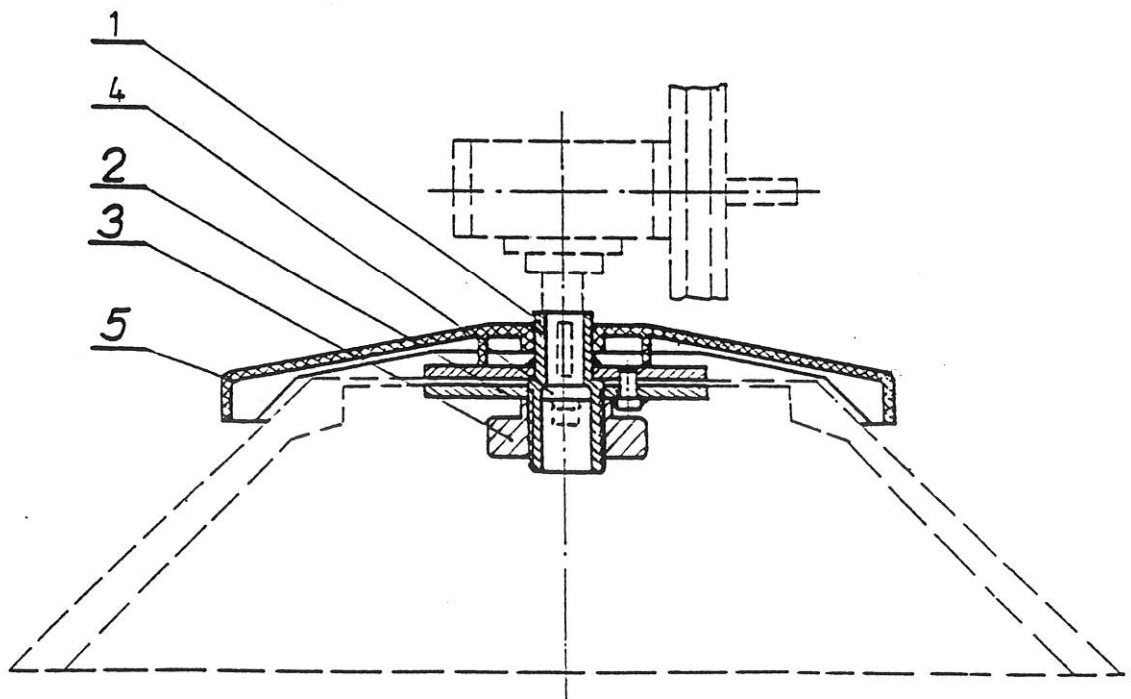
10020



GRUPPE: 6.1 STEUERUNG SEITENBESEN (RECHTS) ETL KMR 1200
GROUP: 6.1 CONTROL SYSTEM BROOM (RIGHT)
GROUPE: 6.1 BALAI (A DROITE) COMMANDE

AB WERKNR/ FROM SER NO/ A PARTIR DU NO.DE FABR 10020

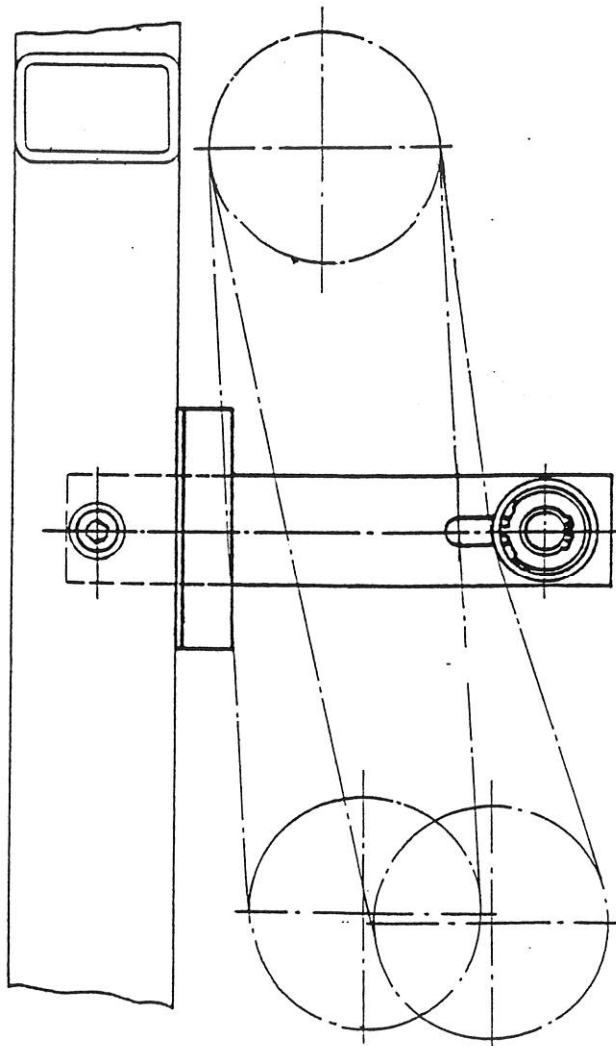
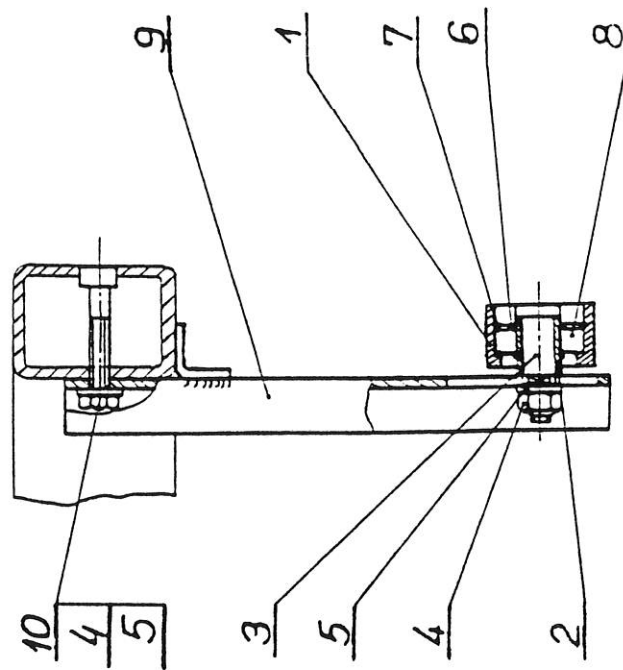
POS. BENENNUNG	TEILE-NR.	STCK
ITM. DESCRIPTION	PART-NO.	QTY.
POS. DESIGNATION	NO.PIECE	NBR.
1 HEBEL/ LEVER/ LEVIER/	6.321-100.0	1
2 FLANSCH/ FLANGE/ BRIDE/	6.370-139.0	1
3 BOLZEN/ BOLT/ BOULON/	6.316-061.0	2
4 GLEITBUCHSE/ BUSHING/ DOUILLE GUIDAGE/	6.347-052.0	1
5 KURBEL/ CRANK/ MANIVELLE/	6.322-014.0	1
6 GRIFF D36/ HANDLE/ POIGNEE/	6.321-080.0	1
7 SCHUTZKAPPE/ PROTECTING CAP/ CAPOT PROTECTION/	6.368-180.0	1
9 SENKSCHR. M 5X 10/ FLAT HEADED SCREW/ VIS A TETE CONIQUE/	7.305-041.0	4
10 ZYL.SCHR. M 6X 25/ CHEESE HEAD SCREW/ VIS A TETE CYLINDR./	7.306-023.0	1
11 FEDERRING B 6/ SPRING WASHER/ RONDELLE GROWER/	7.313-003.0	1



GRUPPE: 6.2 BEFESTIGUNG - SEITENBESEN
GROUP: 6.2 FIXING - BROOM
GROUPE: 6.2 FIXATION DE BALAI

ETL KMR 1200

POS. BENENNUNG ITM. DESCRIPTION POS. DESIGNATION	TEILE-NR. PART-NO. NO. PIECE	STCK QTY. NBR.
1 FLANSCH/ FLANGE/ BRIDE/	6.903-489.0	1
2 FLANSCH/ FLANGE/ BRIDE/	6.903-501.0	1
3 MUTTER/ NUT/ ECROU/	6.310-073.0	1
4 SCHEIBE B 6,4/ WASHER/ RONDELLE/	7.312-003.0	1
5 ABWEISTELLER/ PLATE/ PLATEAU/	6.903-473.0	1



GRUPPE: 6.3 HALTERUNG - SEITENBESEN
GROUP: 6.3 BRACKET - BROOM
GROUPE: 6.3 FIXATION DE BALAI

ETL KMR 1200

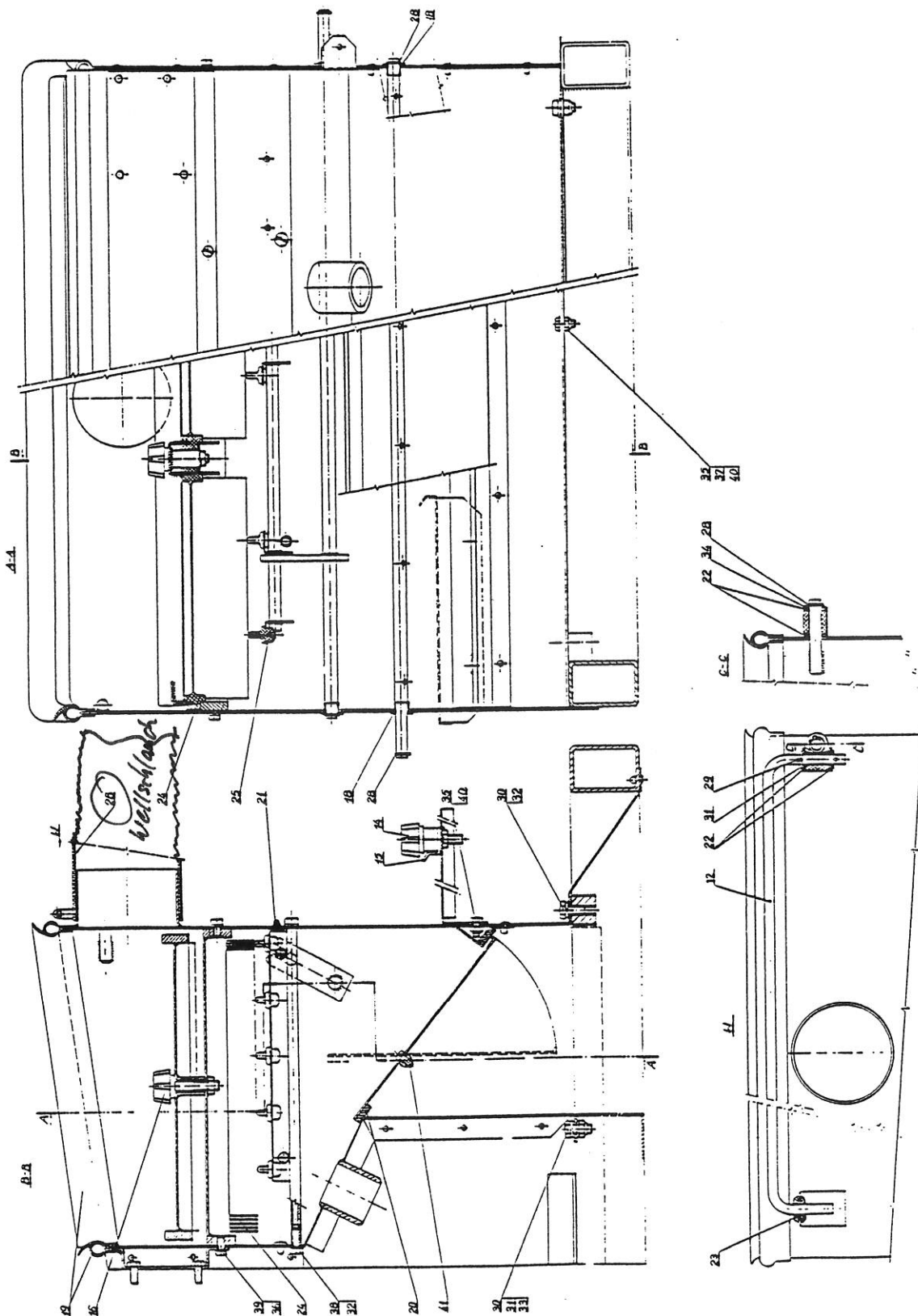
POS. BENENNUNG ITM. DESCRIPTION POS. DESIGNATION	TEILE-NR. PART-NO. NO. PIECE	STCK QTY. NBR.
1 ROLLE D38/ ROLLER/ ROULETTE/	6.435-190.0	1
2 BUCHSE/ BUSH/ DOUILLE/	6.347-050.0	1
3 BOLZEN M 8/ BOLT/ BOULON/	6.316-059.0	1
4 6KT-MUTTER M 8/ HEXAGON NUT/ ECROU HEXAGONAL/	7.311-427.0	2
5 SCHEIBE B 8,4/ WASHER/ RONDELLE/	7.312-004.0	2
6 S-RING 15X1/ SPRING CLIP/ CIRCLIP/	7.343-004.0	2
7 S-RING 32X1,2/ SPRING CLIP/ CIRCLIP/	7.343-231.0	1
8 KUGELLAGER 6002-2RS/ BALL BEARING/ ROULEMENT A BILLE/	7.401-115.0	1
9 HALTERUNG SPANNROLL/ BRACKET/ FIXATION/	6.393-736.0	1
10 ZYL.SCHR. M 8X 50/ CHEESE HEAD SCREW/ VIS A TETE CYLINDR./	7.306-039.0	1

GRUPPE: 7 FILTERKASTEN
GROUP: 7 FILTER BOX
GROUPE: 7 FILTRE

ETL KMR 1200

BIS WERKNR/ UP TO SER NO / JUSQU'AU NO.DE FABR

10019



GRUPPE: 7 FILTERKASTEN
GROUP: 7 FILTER BOX
GROUPE: 7 FILTRE

ETL KMR 1200

BIS WERKNR/ UP TO SER NO / JUSQU'AU NO.DE FABR 10019

POS. BENENNUNG ITM. DESCRIPTION POS. DESIGNATION	TEILE-NR. PART-NO. NO.PIECE	STCK QTY. NBR.
12 STUETZE/ STAY/ SUPPORT/	6.903-492.0	1
14 HANDSCHRAUBE M 8X16/ HAND SCREW/ CRIC A MAIN/	6.304-063.0	1
15 WINKEL/ ANGLE/ ANGLE/	6.903-491.0	1
18 BUCHSE/ BUSH/ DOUILLE/	6.903-435.0	4
19 DICHTUNG FILTERKAST/ SEAL/ JOINT/	6.362-266.0	2
20 ZELLGUMMIBAND 19X5/ CELL. RUBBER BAND/ RUBAN CAOUT./	6.273-071.0	2 *01
21 STOSSDAEMPFER/ SHOCK ABSORBER/ AMORTISSEUR/	6.437-380.0	12
22 ISOLIERSCHEIBE/ INSULATING WASHER/ RONDELLE ISOLANTE/	6.312-030.0	4
23 DURCHFUEHR.TUELLE/ BUSH/ DOUILLE DE TRAVERSEE/	6.641-402.0	1
24 LUFTFILTER/ AIR FILTER/ FILTRE A AIR/	6.414-431.0	3
25 STOPFEN/ PLUG/ BOUCHON/	5.132-056.0	30
25 LAMELLENRUETTLER/VIB. ELEMENT OF LAM./ VIBREUR DE LAMELLE	6.905-032.0	3
26 LUFTSCHLAUCH/ AIR HOSE/ TUYAU FLEXIBLE A AIR/	6.903-381.0	1 *01
28 S-RING 10X1/ SPRING CLIP/ CIRCLIP/	7.343-001.0	5
29 SPLINT 2,0X 20/ COTTER/ GOUPILLE FENDUE/	7.316-333.0	2
30 6KT-SCHR. M 8X 20/ HEXAGONAL HEAD SCREW/ VIS HEXAGONAL/	7.304-397.0	4
31 SCHEIBE B 8,4/ WASHER/ RONDELLE/	7.312-004.0	4
32 FEDERRING B 8/ SPRING WASHER/ RONDELLE GROWER/	7.313-004.0	16
33 6KT-MUTTER M 8/ HEXAGON NUT/ ECROU HEXAGONAL/	7.311-427.0	2
34 SCHEIBE B 10,5/ WASHER/ RONDELLE/	7.312-005.0	1

GRUPPE: 7 FILTERKASTEN
GROUP: 7 FILTER BOX
GROUPE: 7 FILTRE

ETL KMR 1200

BIS WERKNR/ UP TO SER NO / JUSQU'AU NO.DE FABR 10019

POS. BENENNUNG ITM. DESCRIPTION POS. DESIGNATION	TEILE-NR. PART-NO. NO. PIECE	STCK QTY. NBR.
35 6KT-SCHR. M 6X 16/ HEXAGONAL HEAD SCREW/ VIS HEXAGONAL/	7.304-383.0	4
36 FEDERRING B 6/ SPRING WASHER/ RONDELLE GROWER/	7.313-003.0	7
37 SCHEIBE B 6,4/ WASHER/ RONDELLE/	7.312-003.0	16
38 ZYL.SCHR. M 8X 16/ CHEESE HEAD SCREW/ VIS A TETE CYLINDR./	7.306-681.0	4
39 ZYL.SCHR. M 6X 12/ CHEESE HEAD SCREW/ VIS A TETE CYLINDR./	7.306-460.0	8
40 6KT-MUTTER M 6/ HEXAGON NUT/ ECROU HEXAGONAL/	7.311-425.0	4
42 HANDMUTTER M 8/ NUT/ ECROU/	6.310-066.0	1
45 QUERTRAEGER/ CROSSGIRDER/ ENTRETOISE TRANSV./	6.393-784.0	2

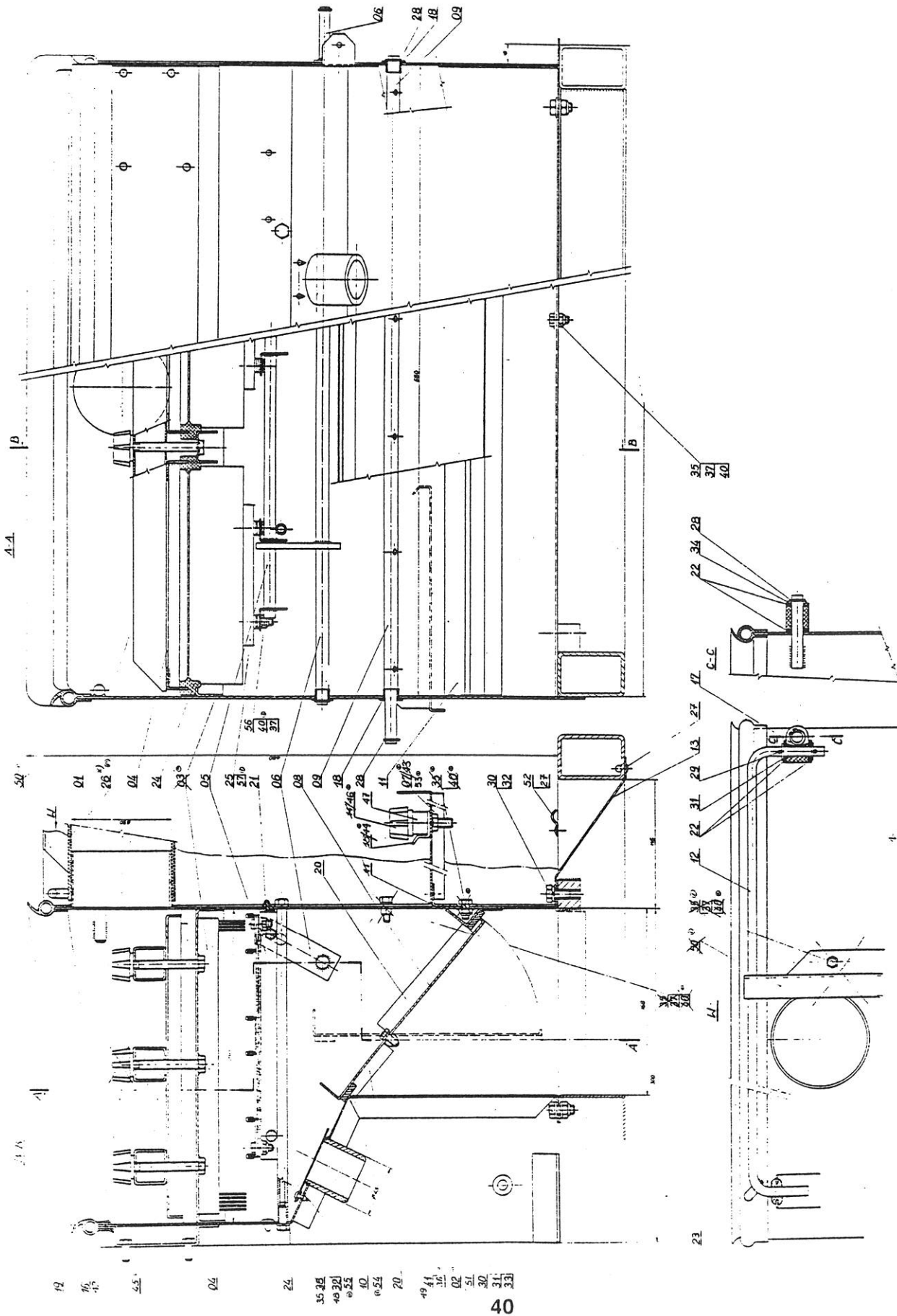
*01 ALS METERWARE BESTELLEN
TO ORDER AS CUT GOODS
COMMANDE COMME MARCHANDISE AU METRE

GRUPPE: 7 FILTERKASTEN
GROUP: 7 FILTER BOX
GROUPE: 7 FILTRE

ETL KMR 1200

AB WERKNR/ FROM SER NO/ A PARTIR DU NO.DE FABR

10020



GRUPPE: 7 FILTERKASTEN
GROUP: 7 FILTER BOX
GROUPE: 7 FILTRE

ETL KMR 1200

AB WERKNR/ FROM SER NO/ A PARTIR DU NO.DE FABR 10020

POS. BENENNUNG ITM. DESCRIPTION POS. DESIGNATION	TEILE-NR. PART-NO. NO.PIECE	STCK QTY. NBR.	
12 STUETZE/ STAY/ SUPPORT/	6.903-492.0	1	
18 BUCHSE/ BUSH/ DOUILLE/	6.903-435.0	4	
19 DICHTUNG FILTERKAST/ SEAL/ JOINT/	6.362-266.0	2	*01
20 ZELLGUMMIBAND 19X5/ CELL. RUBBER BAND/ RUBAN CAOUT./	6.273-071.0	2	*01
21 STOSSDAEMPFER/ SHOCK ABSORBER/ AMORTISSEUR/	6.437-380.0	12	
22 ISOLIERSCHEIBE/ INSULATING WASHER/ RONDELLE ISOLANTE/	6.312-030.0	4	
23 DURCHFUEHR.TUELLE/ BUSH/ DOUILLE DE TRAVERSEE/	6.641-402.0	1	
24 FILTEREINSATZ/ FILTER CARTRIDGE/ CARTOUCHE FILTRANTE/	5.731-020.0	3	
25 STOPFEN/ PLUG/ BOUCHON/	5.132-056.0	30	
26 LUFTSCHLAUCH/ AIR HOSE/ TUYAU FLEXIBLE A AIR/	6.903-381.0	1	*01
28 S-RING 10X1/ SPRING CLIP/ CIRCLIP/	7.343-001.0	5	
29 SPLINT 2,0X 20/ COTTER/ GOUPILLE FENDUE/	7.316-333.0	2	
30 6KT-SCHR. M 8X 20/ HEXAGONAL HEAD SCREW/ VIS HEXAGONAL/	7.304-397.0	4	
31 SCHEIBE B 8,4/ WASHER/ RONDELLE/	7.312-004.0	4	
32 FEDERRING B 8/ SPRING WASHER/ RONDELLE GROWER/	7.313-004.0	12	
33 6KT-MUTTER M 8/ HEXAGON NUT/ ECROU HEXAGONAL/	7.311-427.0	2	
34 SCHEIBE B 10,5/ WASHER/ RONDELLE/	7.312-005.0	1	
35 6KT-SCHR. M 6X 16/ HEXAGONAL HEAD SCREW/ VIS HEXAGONAL/	7.304-383.0	8	
36 FEDERRING B 6/ SPRING WASHER/ RONDELLE GROWER/	7.313-003.0	11	
37 SCHEIBE B 6,4/ WASHER/ RONDELLE/	7.312-003.0	8	

GRUPPE: 7 FILTERKASTEN
GROUP: 7 FILTER BOX
GROUPE: 7 FILTRE

ETL KMR 1200

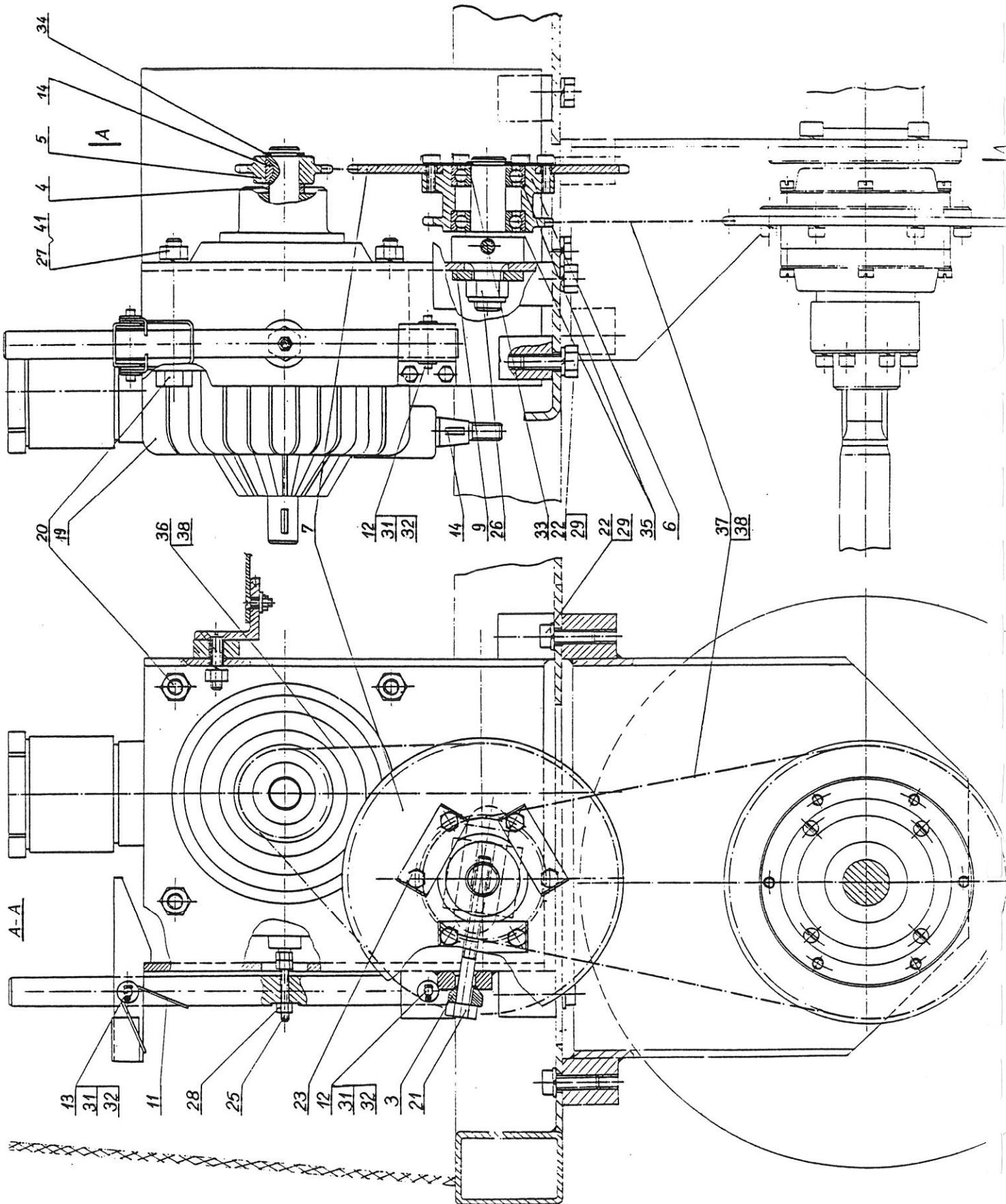
AB WERKNR/ FROM SER NO/ A PARTIR DU NO.DE FABR 10020

POS. BENENNUNG ITM. DESCRIPTION POS. DESIGNATION	TEILE-NR. PART-NO. NO. PIECE	STCK QTY. NBR.
38 ZYL.SCHR. M 8X 16/ CHEESE HEAD SCREW/ VIS A TETE CYLINDR./	7.306-681.0	4
39 ZYL.SCHR. M 6X 12/ CHEESE HEAD SCREW/ VIS A TETE CYLINDR./	7.306-460.0	8
40 6KT-MUTTER M 6/ HEXAGON NUT/ ECROU HEXAGONAL/	7.311-425.0	2
42 STERNGRIF M 8X 40/ CONTROL KNOB/ POIGNEE-ETOILE/	6.321-082.0	2
44 WINKEL/ ANGLE/ ANGLE/	6.903-491.0	1
46 HANDSCHRAUBE M 8X16/ HAND SCREW/ CRIC A MAIN/	6.304-063.0	1
49 ZYL.SCHR. M 5X 12/ CHEESE HEAD SCREW/ VIS A TETE CYLINDR./	7.306-443.0	9
50 SCHUTZSTOPFEN/ PROTECTION PLUG/ BOUCHON DE PROT./	6.368-183.0	1

*01 ALS METERWARE BESTELLEN
TO ORDER AS CUT GOODS
COMMANDE COMME MARCHANDISE AU METRE

GRUPPE: 8 ANTRIEBSUEBERTRAG.
GROUP: 8 DRIVING TRANSMISSION
GROUPE: 8 TRANSMISSION D'ENTRAINEM.

ETL KMR 1200



GRUPPE: 8 ANTRIEBSUEBERTRAG.
 GROUP: 8 DRIVING TRANSMISSION
 GROUPE: 8 TRANSMISSION D'ENTRAINEM.

ETL KMR 1200

POS. BENENNUNG ITM. DESCRIPTION POS. DESIGNATION	TEILE-NR. PART-NO. NO. PIECE	STCK QTY. NBR.
3 KUGELSCHLEIBE/ SPHERICAL DISK/ RONDELLE SPHERIQUE/	6.312-032.0	1
4 DISTANZRING/ SPACER RING/ BAGUE D'ECARTEMENT/	6.346-016.0	1
5 KETTENRAD Z=12/ CHAIN WHEEL/ ROUE DENTEE/	6.432-068.0	1
6 KETTENRAD Z=17/ CHAIN WHEEL/ ROUE DENTEE/	6.432-069.0	1
7 KETTENRAD Z=38/ CHAIN WHEEL/ ROUE DENTEE/	6.432-070.0	1
9 DRUCKSCHEIBE/ PRESSURE DISC/ DISQUE DE PRESSION/	6.312-033.0	1
11 BIEGEFEDER/ SPIRAL SPRING/ RESSORT SPIRAL/	6.330-030.0	1
12 BOLZEN D5X28/ BOLT/ BOULON/	6.316-037.0	1
13 BOLZEN D5X35/ BOLT/ BOULON/	6.316-038.0	1
14 SCHEIBENFEDER/ CURVED WASHER/ CLAVETTE/	6.318-001.0	2
19 GETRIEBE/ GEARING/ ENGRENAGE/	6.454-010.0	1
20 6KT-SCHR. M10X 75/ HEXAGONAL HEAD SCREW/ VIS HEXAGONAL/	7.304-547.0	4
21 6KT-SCHR. M 8X 80/ HEXAGONAL HEAD SCREW/ VIS HEXAGONAL/	7.304-098.0	1
22 6KT-SCHR. M 8X 25/ HEXAGONAL HEAD SCREW/ VIS HEXAGONAL/	7.304-399.0	12
23 6KT-SCHR. M 6X 16/ HEXAGONAL HEAD SCREW/ VIS HEXAGONAL/	7.304-383.0	6
25 6KT-SCHR. M 5X 30/ HEXAGONAL HEAD SCREW/ VIS HEXAGONAL/	7.304-378.0	1
26 6KT-MUTTER M14X1,5/ HEXAGON NUT/ ECROU HEXAGONAL/	7.311-434.0	1
27 6KT-MUTTER M 8/ HEXAGON NUT/ ECROU HEXAGONAL/	7.311-004.0	4
28 6KT-MUTTER M 4/ HEXAGON NUT/ ECROU HEXAGONAL/	7.311-001.0	1
29 FEDERRING B 5/ SPRING WASHER/ RONDELLE GROWER/	7.313-002.0	16
31 SCHEIBE B 5,3/ WASHER/ RONDELLE/	7.312-002.0	6

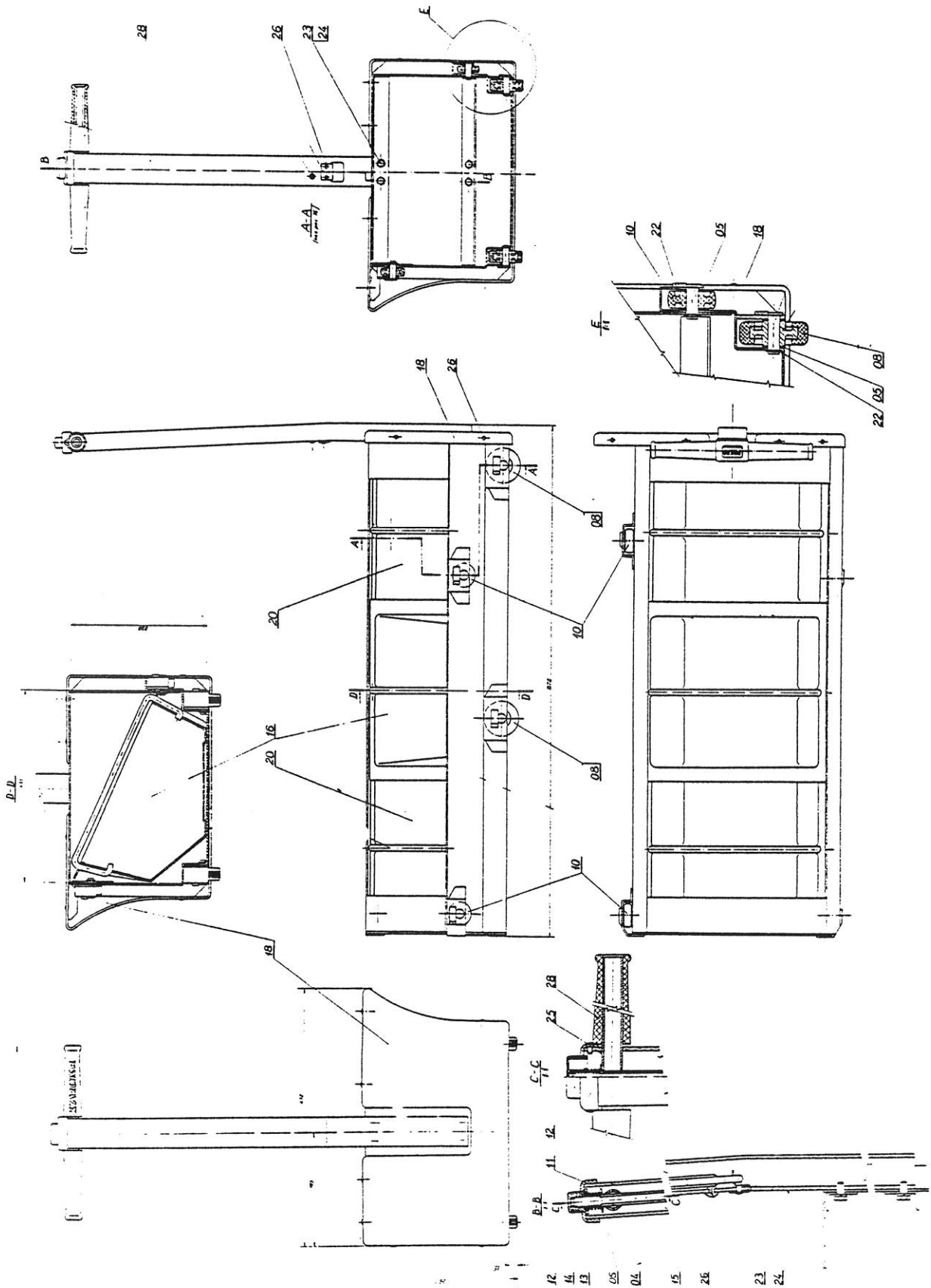
GRUPPE: 8 ANTRIEBSUEBERTRAG.
GROUP: 8 DRIVING TRANSMISSION
GROUPE: 8 TRANSMISSION D'ENTRAINEM.

ETL KMR 1200

POS. BENENNUNG	TEILE-NR.	STCK
ITM. DESCRIPTION	PART-NO.	QTY.
POS. DESIGNATION	NO. PIECE	NBR.
32 SPLINT 1,2X 10/ COTTER/ GOUPILLE FENDUE/	7.316-439.0	2
33 S-RING 20X1,2/ SPRING CLIP/ CIRCLIP/	7.343-007.0	1
34 S-RING 17X1/ SPRING CLIP/ CIRCLIP/	7.343-006.0	1
35 KUGELLAGER 6004-RS/ BALL BEARING/ ROULEMENT A BILLE/	7.401-161.0	2
36 ROLLENKETTE/ ROLLOER CHAIN/ CHAINE A ROULEAUX/	6.432-059.0	1
37 ROLLENKETTE/ ROLLOER CHAIN/ CHAINE A ROULEAUX/	6.432-060.0	1
38 VERSCHLUSSGLIED/ CLOSING LINK/ MAILLON DE FERMETURE/	6.432-062.0	2
41 FEDERRING B 10/ SPRING WASHER/ RONDELLE GROWER/	7.313-005.0	4

GRUPPE: 9 KEHRBEHAELTER
 GROUP: 9 SWEEP TANK
 GROUPE: 9 BAC BALAYER

ETL KMR 1200



GRUPPE: 9 KEHRBEHAELTER
 GROUP: 9 SWEEP TANK
 GROUPE: 9 BAC BALAYER

ETL KMR 1200

POS.	BENENNUNG	TEILE-NR.	STCK
ITM.	DESCRIPTION	PART-NO.	QTY.
POS.	DESIGNATION	NO. PIECE	NBR.
4	STANGE/ BAR/ TIGE/	6.903-494.0	1
5	SCHEIBE/ WASHER/ RONDELLE/	6.312-035.0	17
8	ROLLE D60/ ROLLER/ ROULETTE/	6.435-170.0	4
10	ROLLE D40/ ROLLER/ ROULETTE/	6.435-171.0	4
11	TASTERFUEHRUNG/ CALIPERS GUIDE/ GAINÉ POUR TOUCHE/	6.634-113.0	1
12	TASTER/ CALIPERS/ BOUTON POUSSOIR/	6.634-110.0	1
13	TASTERFEDER/ CALIPERS SPRING/ RESSORT POUR TOUCHE/	6.330-031.0	1
14	BOLZEN M8X25/ BOLT/ BOULON/	6.316-039.0	1
16	EINSATZ MITTE/ INSERT/ INSERT/	6.903-493.0	1 *01
18	VERKLEIDUNG/ COVER/ CARROSSAGE/	6.368-164.0	1
20	EINSATZ LI/RE/ INSERT/ INSERT/	6.393-708.0	2
22	S-RING 10X1/ SPRING CLIP/ CIRCLIP/	7.343-001.0	8
23	6KT-SCHR. M 6X 6/ HEXAGONAL HEAD SCREW/ VIS HEXAGONAL/	7.304-545.0	4
24	FEDERRING B 6/ SPRING WASHER/ RONDELLE GROWER/	7.313-003.0	4
25	SENKSCHR. M 4X 8/ FLAT HEADED SCREW/ VIS A TETE CONIQUE/	7.305-619.0	2
26	NIET 4,0X 16/ RIVET/ RIVET/	7.315-023.0	9
28	HANDGRIFF/ HANDLE/ POIGNEE/	6.321-077.0	2

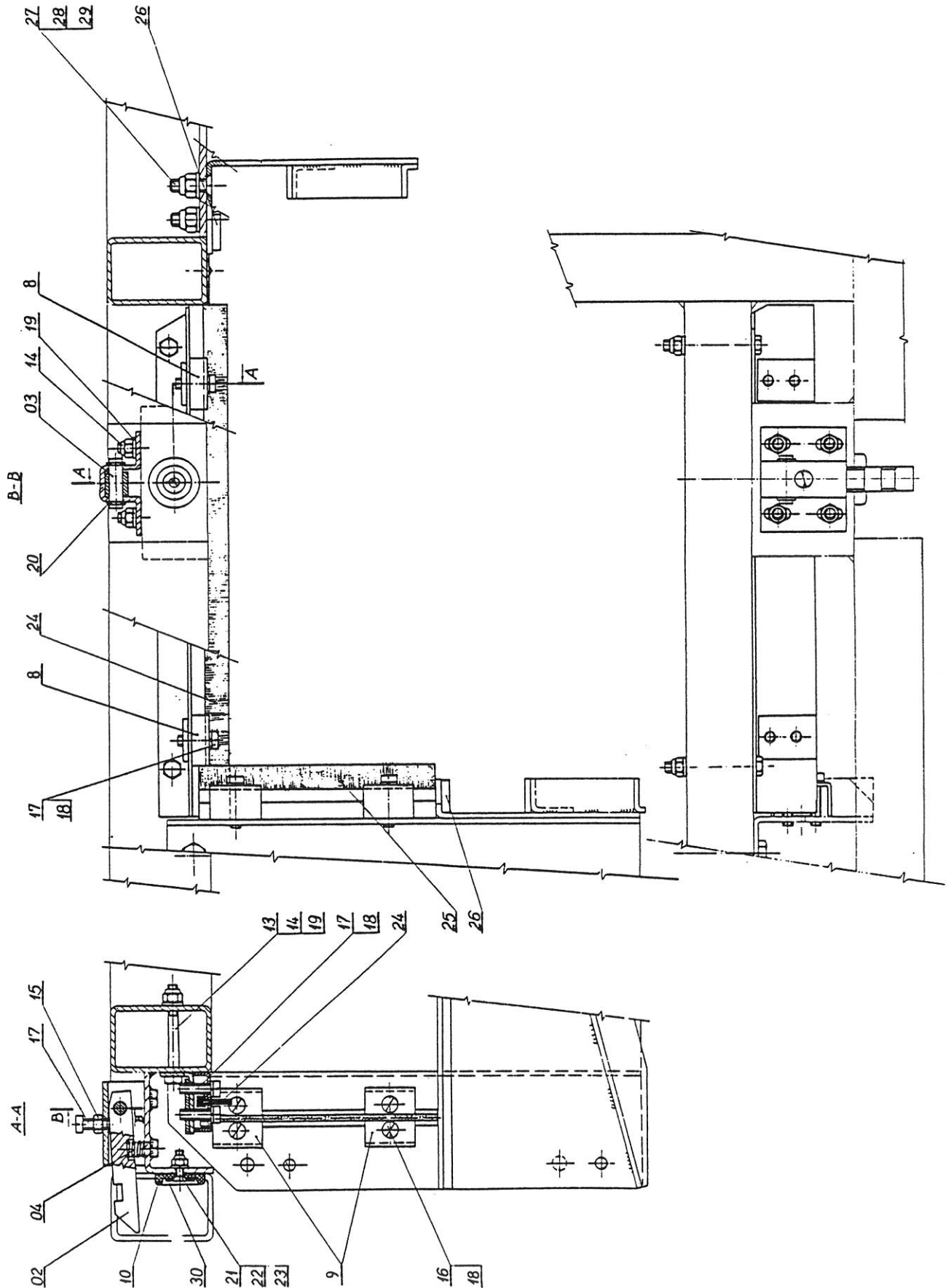
*01 EINSATZ MITTE KPL.
 INSERT MIDDLE CPL.
 INSERT MILIEU CPL.

GRUPPE: 9.1 ABDICHTUNG UND SCHLOSS - KEHRBEH.
GROUP: 9.1 SEAL AND LOCK - SWEEP TANK
GROUPE: 9.1 ETOUPAGE ET SERRURE - BAC BALAYER

ETL KMR 1200

BIS WERKNR/ UP TO SER NO / JUSQU'AU NO.DE FABR

8300



GRUPPE: 9.1 ABDICHTUNG UND SCHLOSS - KEHRBEH. ETL KMR 1200
 GROUP: 9.1 SEAL AND LOCK - SWEEP TANK
 GROUPE: 9.1 ETOUPAGE ET SERRURE - BAC BALAYER

BIS WERKNR/ UP TO SER NO / JUSQU'AU NO.DE FABR 8300

POS. BENENNUNG ITM. DESCRIPTION POS. DESIGNATION	TEILE-NR. PART-NO. NO. PIECE	STCK QTY. NBR.
2 RIEGEL/ LOCKING BAR/ VERROU/	6.375-164.0	1
3 KLEMMBOLZEN/ STUD TERMINAL/ BOULON DE SERRAGE/	6.316-045.0	1
4 KLEMMFEDER/ SPRING/ RESSORT DE FRICTION/	6.330-032.0	1
8 WINKEL/ ANGLE/ ANGLE/	6.903-495.0	4
9 WINKEL/ ANGLE/ ANGLE/	6.903-496.0	4
10 GUMMIRING/ RUBBER RING/ RONDELLE CAOUTCHOUC	6.362-268.0	1
13 6KT-SCHR. M 6X 55/ HEXAGONAL HEAD SCREW/ VIS HEXAGONAL/	7.304-085.0	4
14 6KT-MUTTER M 6/ HEXAGON NUT/ ECROU HEXAGONAL/	7.311-425.0	8
15 6KT-MUTTER M 6/ HEXAGON NUT/ ECROU HEXAGONAL/	7.311-003.0	1
16 ZYL.SCHR. M 6X 25/ CHEESE HEAD SCREW/ VIS A TETE CYLINDR./	7.306-463.0	8
17 ZYL.SCHR. M 6X 16/ CHEESE HEAD SCREW/ VIS A TETE CYLINDR./	7.306-461.0	9
18 FEDERRING B 8/ SPRING WASHER/ RONDELLE GROWER/	7.313-004.0	17
19 SCHEIBE B 6,4/ WASHER/ RONDELLE/	7.312-003.0	8
20 S-RING 8X0,8/ SPRING CLIP/ CIRCLIP/	7.343-014.0	2
21 SENKSCHR. M 5X 20/ FLAT HEADED SCREW/ VIS A TETE CONIQUE/	7.305-045.0	1
22 SCHEIBE B 5,3/ WASHER/ RONDELLE/	7.312-002.0	1
23 6KT-MUTTER M 5/ HEXAGON NUT/ ECROU HEXAGONAL/	7.311-421.0	1
24 DICHTUNGSBUERSTE/ BRUSH/ BROSSE/	6.903-438.0	2
25 DICHTUNGSBUERSTE/ BRUSH/ BROSSE/	6.903-439.0	2
26 ZELLGUMMIBAND 19X5/ CELL. RUBBER BAND/ RUBAN CAOUT. /	6.273-071.0	2

GRUPPE: 9.1 ABDICHTUNG UND SCHLOSS - KEHRBEH. ETL KMR 1200
GROUP: 9.1 SEAL AND LOCK - SWEEP TANK
GROUPE: 9.1 ETOUPAGE ET SERRURE - BAC BALAYER

BIS WERKNR/ UP TO SER NO / JUSQU'AU NO.DE FABR 8300

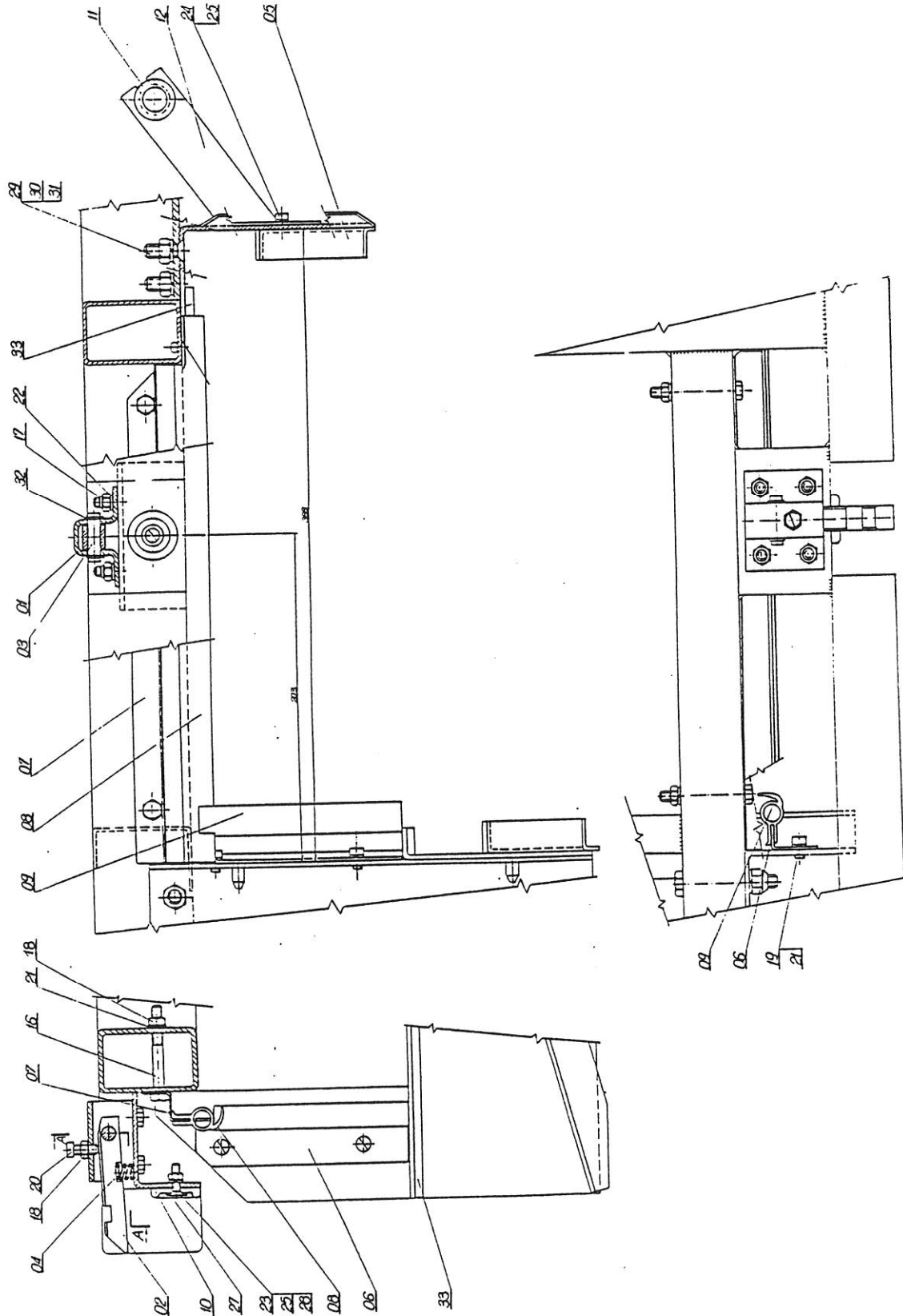
POS. BENENNUNG	TEILE-NR.	STCK
ITM. DESCRIPTION	PART-NO.	QTY.
POS. DESIGNATION	NO.PIECE	NBR.
27 SENKCHR. M 8X 25/ FLAT HEADED SCREW/ VIS A TETE CONIQUE/	7.305-596.0	6
28 6KT-MUTTER M 8/ HEXAGON NUT/ ECROU HEXAGONAL/	7.311-427.0	6
29 SCHEIBE B 8,4/ WASHER/ RONDELLE/	7.312-004.0	6
30 SCHEIBE/ WASHER/ RONDELLE/	6.312-036.0	1

GRUPPE: 9.1 ABDICHTUNG UND SCHLOSS - KEHRBEH.
GROUP: 9.1 SEAL AND LOCK - SWEEP TANK
GROUPE: 9.1 ETOUPAGE ET SERRURE - BAC BALAYER

ETL KMR 1200

AB WERKNR/ FROM SER NO/ A PARTIR DU NO.DE FABR

8300



GRUPPE: 9.1 ABDICHTUNG UND SCHLOSS - KEHRBEH. ETL KMR 1200
 GROUP: 9.1 SEAL AND LOCK - SWEEP TANK
 GROUPE: 9.1 ETOUPAGE ET SERRURE - BAC BALAYER

AB WERKNR/ FROM SER NO/ A PARTIR DU NO.DE FABR 8300

POS.	BENENNUNG	TEILE-NR.	STCK
ITM.	DESCRIPTION	PART-NO.	QTY.
POS.	DESIGNATION	NO. PIECE	NBR.
1	BUEGEL/ STRAP/ ETRIER/	6.393-799.0	1
2	RIEGEL/ LOCKING BAR/ VERROU/	6.375-164.0	1
3	KLEMMBOLZEN/ STUD TERMINAL/ BOULON DE SERRAGE/	6.316-045.0	1
4	KLEMMFEDER/ SPRING/ RESSORT DE FRICTION/	6.330-032.0	1
5	FUEHRUNG/ GUIDE/ GAINÉ/	6.903-969.0	1
6	WINKEL/ ANGLE/ ANGLE/	6.903-970.0	2
7	WINKEL/ ANGLE/ ANGLE/	6.903-971.0	2
8	DICHTUNG LANG/ SEAL/ JOINT/	6.903-972.0	2
9	DICHTUNG KURZ/ SEAL/ JOINT/	6.903-973.0	2
10	GUMMIRING/ RUBBER RING/ RONDELLE CAOUTCHOUC	6.362-268.0	1
11	KABELDURCHFUEHRUNG/ CABLE GLAND/ PASE-CABLE	6.647-230.0	1
12	WINKEL/ ANGLE/ ANGLE/	6.903-974.0	1
16	6KT-SCHR. M 6X 50/ HEXAGONAL HEAD SCREW/ VIS HEXAGONAL/	7.304-084.0	4
17	6KT-MUTTER M 6/ HEXAGON NUT/ ECROU HEXAGONAL/	7.311-425.0	4
18	6KT-MUTTER M 6/ HEXAGON NUT/ ECROU HEXAGONAL/	7.311-003.0	5
19	ZYL.SCHR. M 6X 10/ CHEESE HEAD SCREW/ VIS A TETE CYLINDR./	7.306-465.0	4
20	6KT-SCHR. M 6X 20/ HEXAGONAL HEAD SCREW/ VIS HEXAGONAL/	7.304-385.0	1
21	FEDERRING B 6/ SPRING WASHER/ RONDELLE GROWER/	7.313-003.0	8
22	SCHEIBE B 6,4/ WASHER/ RONDELLE/	7.312-003.0	4
23	SENKSCHR. M 5X 20/ FLAT HEADED SCREW/ VIS A TETE CONIQUE/	7.305-045.0	1
24	ZYL.SCHR. M 5X 10/ CHEESE HEAD SCREW/ VIS A TETE CYLINDR./	7.306-447.0	2

GRUPPE: 9.1 ABDICHTUNG UND SCHLOSS - KEHRBEH. ETL KMR 1200
GROUP: 9.1 SEAL AND LOCK - SWEEP TANK
GROUPE: 9.1 ETOUPAGE ET SERRURE - BAC BALAYER

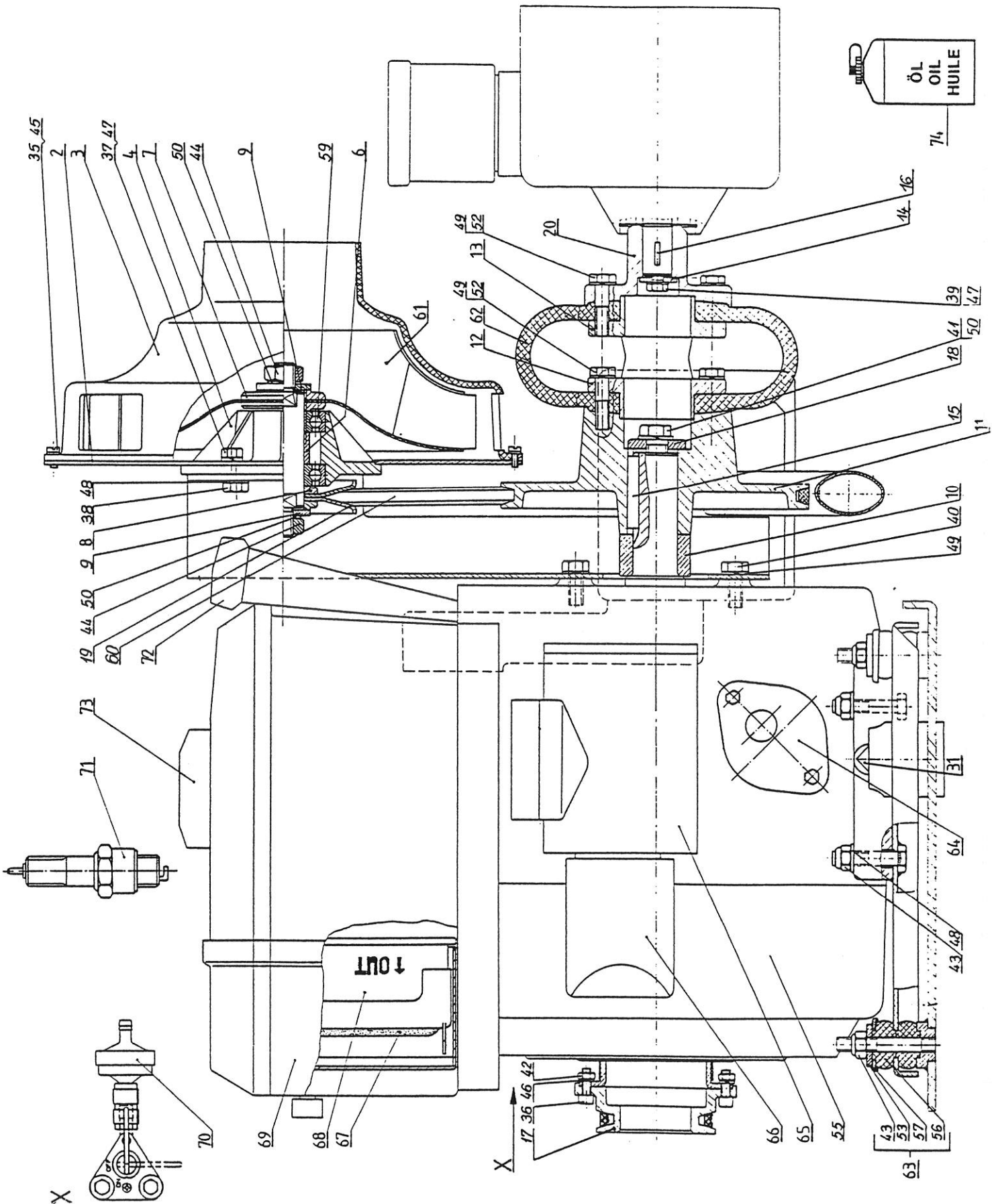
AB WERKNR/ FROM SER NO/ A PARTIR DU NO.DE FABR 8300

POS. BENENNUNG ITM. DESCRIPTION POS. DESIGNATION	TEILE-NR. PART-NO. NO.PIECE	STCK QTY. NBR.	
25 FEDERRING B 5/ SPRING WASHER/ RONDELLE GROWER/	7.313-002.0	2	
27 SCHEIBE B 5,3/ WASHER/ RONDELLE/	7.312-002.0	2	
28 6KT-MUTTER M 5/ HEXAGON NUT/ ECROU HEXAGONAL/	7.311-421.0	1	
29 SENKCHR. M 8X 25/ FLAT HEADED SCREW/ VIS A TETE CONIQUE/	7.305-596.0	6	
30 6KT-MUTTER M 8/ HEXAGON NUT/ ECROU HEXAGONAL/	7.311-004.0	6	
31 FEDERRING B 8/ SPRING WASHER/ RONDELLE GROWER/	7.313-004.0	6	
32 S-RING 8X0,8/ SPRING CLIP/ CIRCLIP/	7.343-014.0	2	
33 ZELLGUMMIBAND 19X5/ CELL. RUBBER BAND/ RUBAN CAOUT./	6.273-071.0	1	*01

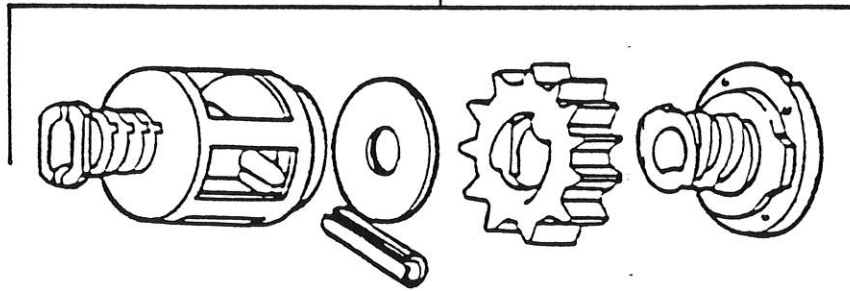
*01 ALS METERWARE BESTELLEN
TO ORDER AS CUT GOODS
COMMANDE COMME MARCHANDISE AU METRE

GRUPPE: 10 MOTOR
GROUP: 10 MOTOR
GROUPE: 10 MOTEUR

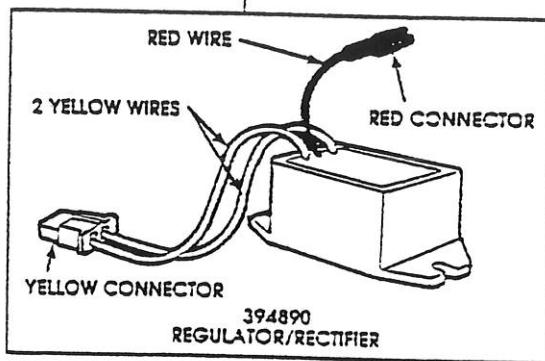
ETL KMR 1200



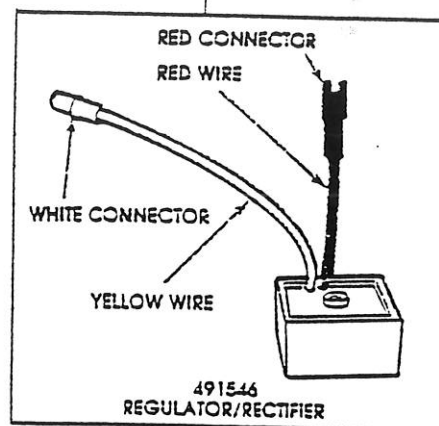
76



77 bis Werk-Nr



77 ab Werk-Nr



GRUPPE: 10 MOTOR
GROUP: 10 MOTOR
GROUPE: 10 MOTEUR

ETL KMR 1200

POS.	BENENNUNG	TEILE-NR.	STCK
ITM.	DESCRIPTION	PART-NO.	QTY.
POS.	DESIGNATION	NO. PIECE	NBR.
2	GEHAEUSEDECKEL/ COVER/ COUVERCLE/	6.484-254.0	1
3	GEHAEUSE/ HOUSING/ BOITIER/	6.484-255.0	2
4	LUEFTERNABE/ HUB/ MOYEU/	6.484-256.0	1
6	HUELSE/ SLEEVE/ DOUILLE/	6.347-042.0	1
7	DISTANZSCHEIBE/ SPACER/ DISQUE/	6.312-046.0	2
8	DISTANZSCHEIBE/ SPACER/ DISQUE/	6.312-047.0	2
9	SCHEIBE/ WASHER/ RONDELLE/	6.312-037.0	2
10	HUELSE/ SLEEVE/ DOUILLE/	6.347-043.0	1
11	RIEMENSCHLEIBE/ PULLEY/ POULIE/	6.348-214.0	1
12	FLANSCH/ FLANGE/ BRIDE/	6.903-497.0	1
13	FLANSCH/ FLANGE/ BRIDE/	6.903-498.0	1
14	SCHEIBE/ WASHER/ RONDELLE/	6.312-038.0	1
15	PASSFEDER 6,3X38/ SPRING/ RESSORT D'ADJUSTAGE/	6.491-176.0	1
16	SCHEIBENFEDER/ CURVED WASHER/ CLAVETTE/	6.318-001.0	1
17	RIEMENSCHLEIBE D63/ PULLEY/ POULIE/	6.348-218.0	1
18	SCHEIBE/ WASHER/ RONDELLE/	6.312-039.0	1
19	RIEMENSCHLEIBENHAEL./ PULLEY-HALF/ DEMI-POULIE/	6.348-217.0	2
20	FLANSCH/ FLANGE/ BRIDE/	6.903-499.0	1
31	OELABLASSSCHRAUBE/ OIL DRAIN SCREW/ BOUCHON VIDANGE HUILE/	6.491-253.0	1
35	ZYL.SCHR. M 4X 8/ CHEESE HEAD SCREW/ VIS A TETE CYLINDR./	7.306-420.0	6
36	ZYL.SCHR. M 5X 16/ CHEESE HEAD SCREW/ VIS A TETE CYLINDR./	7.306-000.0	6
37	6KT-SCHR. M 6X 12/ HEXAGONAL HEAD SCREW/ VIS HEXAGONAL/	7.304-382.0	4
38	6KT-SCHR. M 8X 12/ HEXAGONAL HEAD SCREW/ VIS HEXAGONAL/	7.304-394.0	4

GRUPPE: 10 MOTOR
GROUP: 10 MOTOR
GROUPE: 10 MOTEUR

ETL KMR 1200

POS.	BENENNUNG	TEILE-NR.	STCK
ITM.	DESCRIPTION	PART-NO.	QTY.
POS.	DESIGNATION	NO.PIECE	NBR.
39	6KT-SCHR 1/ 4-20UNF/ HEXAGONAL HEAD SCREW/ VIS HEXAGONAL/	6.304-065.0	1
40	6KT-SCHR 5/16-24UNF/ HEXAGONAL HEAD SCREW/ VIS HEXAGONAL/	6.304-066.0	4
41	6KT-SCHR 7/16-20UNF/ HEXAGONAL HEAD SCREW/ VIS HEXAGONAL/	6.304-067.0	1
42	6KT-MUTTER M 5/ HEXAGON NUT/ ECROU HEXAGONAL/	7.311-002.0	6
43	6KT-MUTTER M 8/ HEXAGON NUT/ ECROU HEXAGONAL/	7.311-427.0	4
44	6KT-MUTTER M12X1,25/ HEXAGON NUT/ ECROU HEXAGONAL/	7.311-435.0	2
45	SCHEIBE A 4,3/ WASHER/ RONDELLE/	7.312-001.0	6
46	FEDERRING B 5/ SPRING WASHER/ RONDELLE GROWER/	7.313-002.0	6
47	FEDERRING B 6/ SPRING WASHER/ RONDELLE GROWER/	7.313-003.0	5
48	SCHEIBE B 8,4/ WASHER/ RONDELLE/	7.312-004.0	8
49	FEDERRING B 8/ SPRING WASHER/ RONDELLE GROWER/	7.313-004.0	20
50	FEDERRING B 12/ SPRING WASHER/ RONDELLE GROWER/	7.313-007.0	3
52	6KT-SCHR. M 8X 30/ HEXAGONAL HEAD SCREW/ VIS HEXAGONAL/	7.304-400.0	16
53	SCHEIBE 8,4/ WASHER/ RONDELLE/	7.312-277.0	4
55	BENZINMOTOR/ GASOLINE ENGINE/ MOTEUR A ESSENCE/	6.491-303.0	1
57	SCHEIBE B 15/ WASHER/ RONDELLE/	7.312-028.0	4
59	KUGELLAGER 6005-2RS/ BALL BEARING/ ROULEMENT A BILLE/	7.401-110.0	2
60	S-K-RIEMEN XPZ 812/ V-BELT/ COURROIE TRAPEZOID/	7.348-225.0	1
61	GEBLAESERAD/ BLOWER WHEEL/ ROUE DE VENTILATEUR/	6.484-257.0	1

GRUPPE: 10 MOTOR
 GROUP: 10 MOTOR
 GROUPE: 10 MOTEUR

ETL KMR 1200

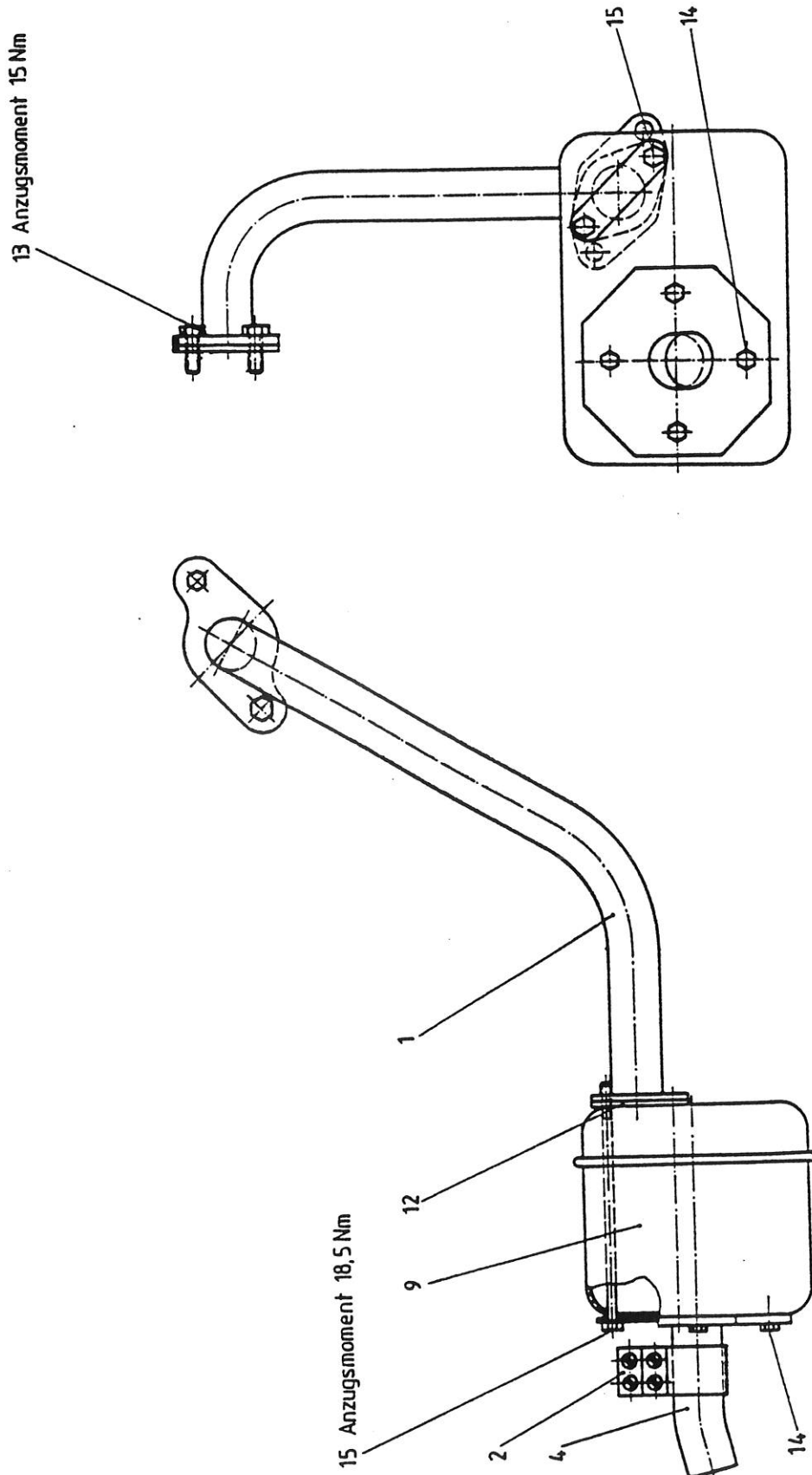
POS.	BENENNUNG ITM. DESCRIPTION POS. DESIGNATION	TEILE-NR. PART-NO. NO. PIECE	STCK QTY. NBR.	
62	KUPPLUNGSTEIL/ COUPLING ELEMENT/ PIECE D'ACCOUPL./	6.465-017.0	4	
63	MOTORLAGERUNG/ STORAGE (MOTOR)/ STOCKAGE (MOTEUR)/	6.491-314.0	4	
64	OELWAECHTER KPL./ CONTROLLER/ CONTROLLEUR/	6.491-257.0	1	
65	ANLASSER/ STARTER/ DEMARREUR/	4.623-222.0	1	
66	ABDECKUNG/ COVER/ COUVERCLE/	6.491-316.0	1	
67	LUFTFILTERVLIES/ AIR FILTER FLEECE/ TOISON DE FILTRE A AIR/	6.491-255.0	1	
68	LUFTFILTER/ AIR FILTER/ FILTRE A AIR/	6.491-256.0	1	
69	FILTERDECKEL/ FILTER COVER/ CUVERCLE DE FILTRE/	6.414-435.0	1	
70	BENZINFILTER/ GASOLINE FILTER/ FILTRE D'ESSENCE/	6.491-220.0	1	
71	ZUENDKERZE/ IGNITION PLUG/ BOUGIE D'ALLUMAGE/	6.491-250.0	1	
72	OELMESSTAB/ OIL DIP ROD/ JAUGE NIVEAU D'HUILE/	5.385-007.0	1	
73	TANKDECKEL/ CAP OF A TANK/ BOUCHON DE RESERVOIR/	6.491-251.0	1	
74	MOTORENOEL 1L/ ENGINE OIL/ HUILE (MOTEUR)/	6.288-050.0	2	
76	ANLASSER/ STARTER/ DEMARREUR/	4.623-223.0	1	
77	LADEREGLER/ CONTROL DEVICE/ REGULATEUR/	6.491-368.0	1	*01
77	LADEREGLER/ CONTROL DEVICE/ REGULATEUR/	6.491-369.0	1	*02
*01	BIS WERKNR. UP TO SERIAL NO. JUSQU'AU NUMERO DE FABRICATION	1 1 1		
*02	AB WERKNR. FROM SERIAL NO. A PARTIR DU NUMERO DE FABRICATION	1 1 1		

GRUPPE: 10.1 AUSPUFFANLAGE
GROUP: 10.1 EXHAUST ARRANGEMENT
GROUPE: 10.1 ARRANGEMENT D' ECHAPPEMENT

ETL KMR 1200

BIS WERKNR/ UP TO SER NO / JUSQU'AU NO.DE FABR

10019



GRUPPE: 10.1 AUSPUFFANLAGE
GROUP: 10.1 EXHAUST ARRANGEMENT
GROUPE: 10.1 ARRANGEMENT D'ECHAPPEMENT

ETL KMR 1200

BIS WERKNR/ UP TO SER NO / JUSQU'AU NO.DE FABR 10019

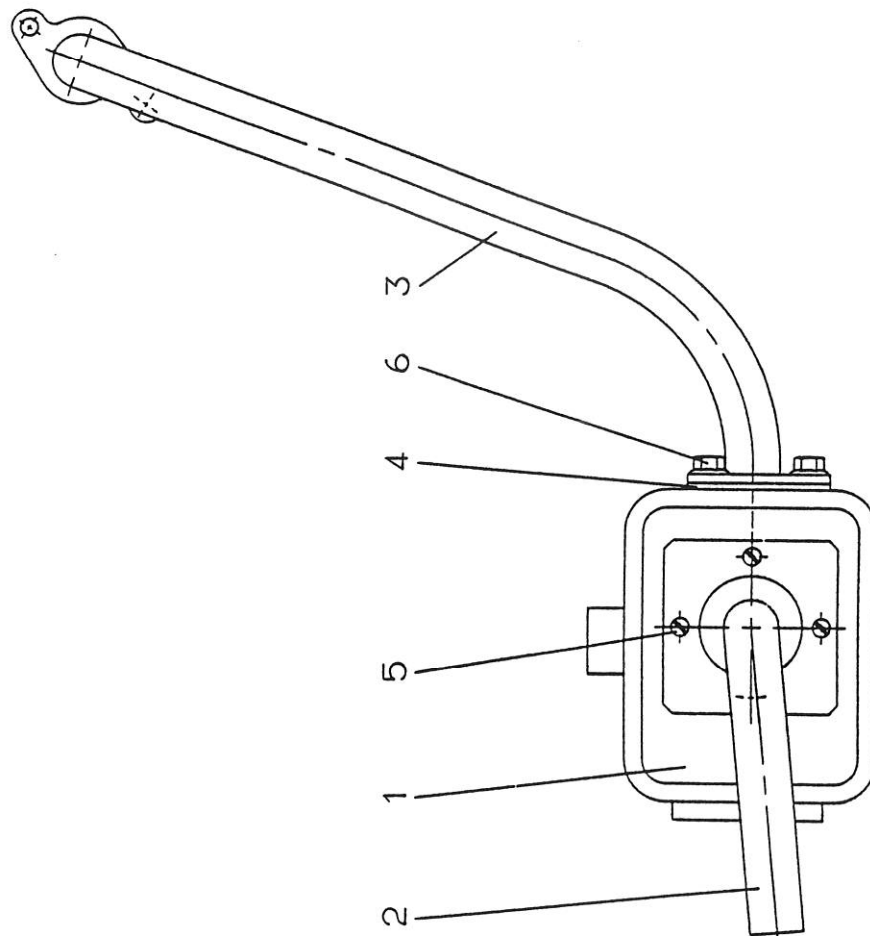
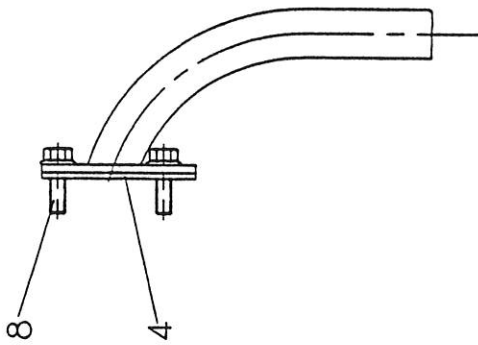
POS. BENENNUNG	TEILE-NR.	STCK
ITM. DESCRIPTION	PART-NO.	QTY.
POS. DESIGNATION	NO.PIECE	NBR.
1 AUSPUFFKRUEMMER/ ELBOW/ COUDE/	6.491-317.0	1
2 HALTER KPL./ BRACKET/ FIXATION/	6.491-318.0	1
4 ENDROHR/ EXHAUST PIPE/ CONDUITE D'ECHAPPE/	6.491-309.0	1
9 AUSPUFFTOPF/ EXHAUST BOX/ POT D'ECHAPPEMENT	6.491-319.0	1
12 DICHTUNG/ SEAL/ JOINT/	6.491-324.0	1
13 SCHRAUBE M8X25/ SCREW/ VIS/	6.491-325.0	2
14 BLECHSCHRAUBE/ SELF-TAPPING SCREW/ VIS A TOLE/	6.491-326.0	4
15 SCHRAUBE M8X16,5/ SCREW/ VIS/	6.491-322.0	2

GRUPPE: 10.1 AUSPUFFANLAGE
GROUP: 10.1 EXHAUST ARRANGEMENT
GROUPE: 10.1 ARRANGEMENT D'ÉCHAPPEMENT

ETL KMR 1200

AB WERKNR/ FROM SER NO/ A PARTIR DU NO.DE FABR

10020



GRUPPE: 10.1 AUSPUFFANLAGE
GROUP: 10.1 EXHAUST ARRANGEMENT
GROUPE: 10.1 ARRANGEMENT D`ECHAPPEMENT

ETL KMR 1200

AB WERKNR/ FROM SER NO/ A PARTIR DU NO.DE FABR 10020

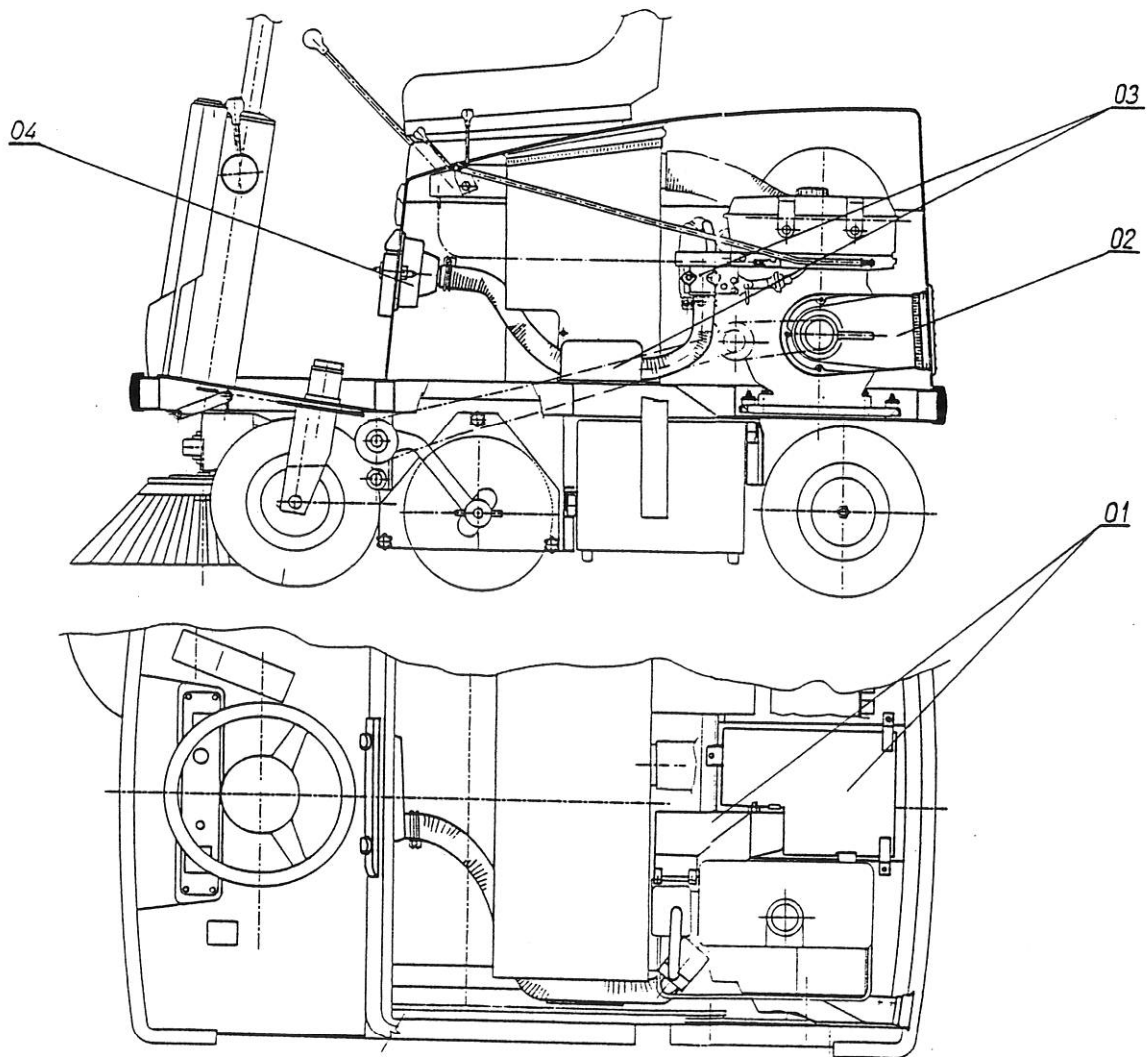
POS. BENENNUNG ITM. DESCRIPTION POS. DESIGNATION	TEILE-NR. PART-NO. NO.PIECE	STCK QTY. NBR.
1 AUSPUFFTOPF/ EXHAUST BOX/ POT D'ECHAPPEMENT	6.491-319.0	1
2 ENDROHR/ EXHAUST PIPE/ CONDUITE D'ECHAPPE/	6.491-365.0	1
3 AUSPUFFKRUEMMER/ ELBOW/ COUDE/	6.491-317.0	1
4 DICHTUNG/ SEAL/ JOINT/	6.491-324.0	2
5 BL.SCHR. ST4,2X13,0/ SHEET METAL SCREW/ VIS A TOLE/	7.303-003.0	4
6 SCHRAUBE M8X16,5/ SCREW/ VIS/	6.491-322.0	2
8 SCHRAUBE M8X25/ SCREW/ VIS/	6.491-325.0	2

GRUPPE: 10.2 MOTORVERBLECHUNG
GROUP: 10.2 COATIN SHEET (MOTOR)
GROUPE: 10.2 TOLE DE COFFRAGE (MOTEUR)

ETL KMR 1200

AB WERKNR/ FROM SER NO/ A PARTIR DU NO.DE FABR

8243



GRUPPE: 10.2 MOTORVERBLECHUNG
GROUP: 10.2 COATIN SHEET (MOTOR)
GROUPE: 10.2 TOLE DE COFFRAGE (MOTEUR)

ETL KMR 1200

AB WERKNR/ FROM SER NO/ A PARTIR DU NO.DE FABR 8243

POS. BENENNUNG ITM. DESCRIPTION POS. DESIGNATION	TEILE-NR. PART-NO. NO.PIECE	STCK QTY. NBR.
1 VERKLEIDUNG/ COVER/ CARROSSAGE/	6.905-290.0	1 *01
2 KUEHLLUFTANSAUGUNG/ COOL AIR SUCTION/ ASPIRATION D'AIR FRAIS	6.905-082.0	1 *02
3 MOTORLUFTANSAUGUNG/ MOTOR AIR SUCTION/ ASPIRATION D'AIR (MOTEUR)	6.905-086.0	1 *03
4 LUFTFILTER/ AIR FILTER/ FILTRE A AIR/	6.414-433.0	1 *04

*01 EINZELTEILE SIEHE SEITE
COMPONENT PARTS SEE PAGE 70
PIECES DETACHEES VOIR PAGE

*02 EINZELTEILE SIEHE SEITE
COMPONENT PARTS SEE PAGE 72
PIECES DETACHEES VOIR PAGE

*03 EINZELTEILE SIEHE SEITE
COMPONENT PARTS SEE PAGE 74
PIECES DETACHEES VOIR PAGE

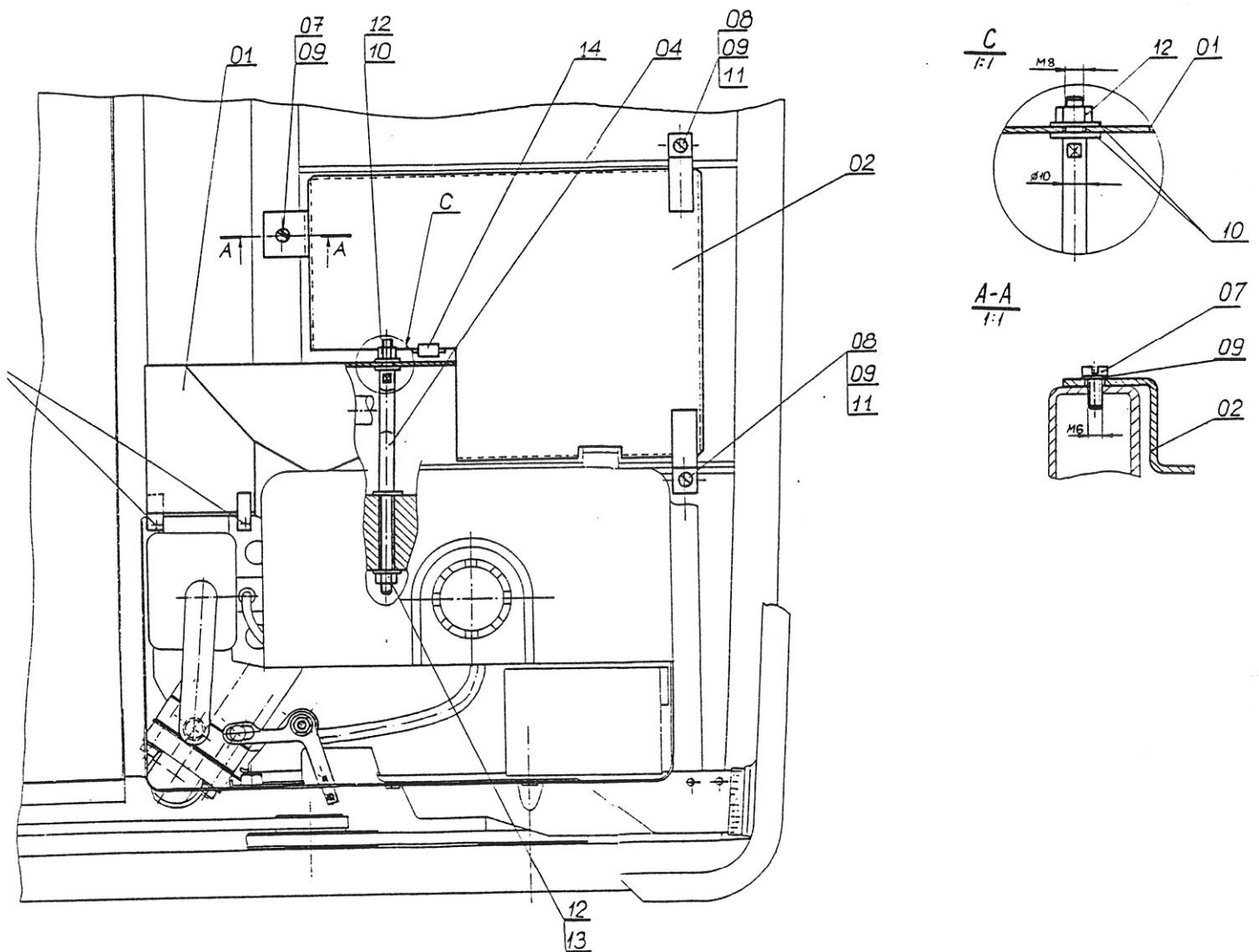
*04 EINZELTEILE SIEHE SEITE
COMPONENT PARTS SEE PAGE 76
PIECES DETACHEES VOIR PAGE

GRUPPE: 10.2 MOTORVERBLECHUNG
GROUP: 10.2 COATIN SHEET (MOTOR)
GROUPE: 10.2 TOLE DE COFFRAGE (MOTEUR)

ETL KMR 1200

AB WERKNR/ FROM SER NO/ A PARTIR DU NO.DE FABR

10850



GRUPPE: 10.2 MOTORVERBLECHUNG
GROUP: 10.2 COATIN SHEET (MOTOR)
GROUPE: 10.2 TOLE DE COFFRAGE (MOTEUR)

ETL KMR 1200

AB WERKNR/ FROM SER NO/ A PARTIR DU NO.DE FABR 10850

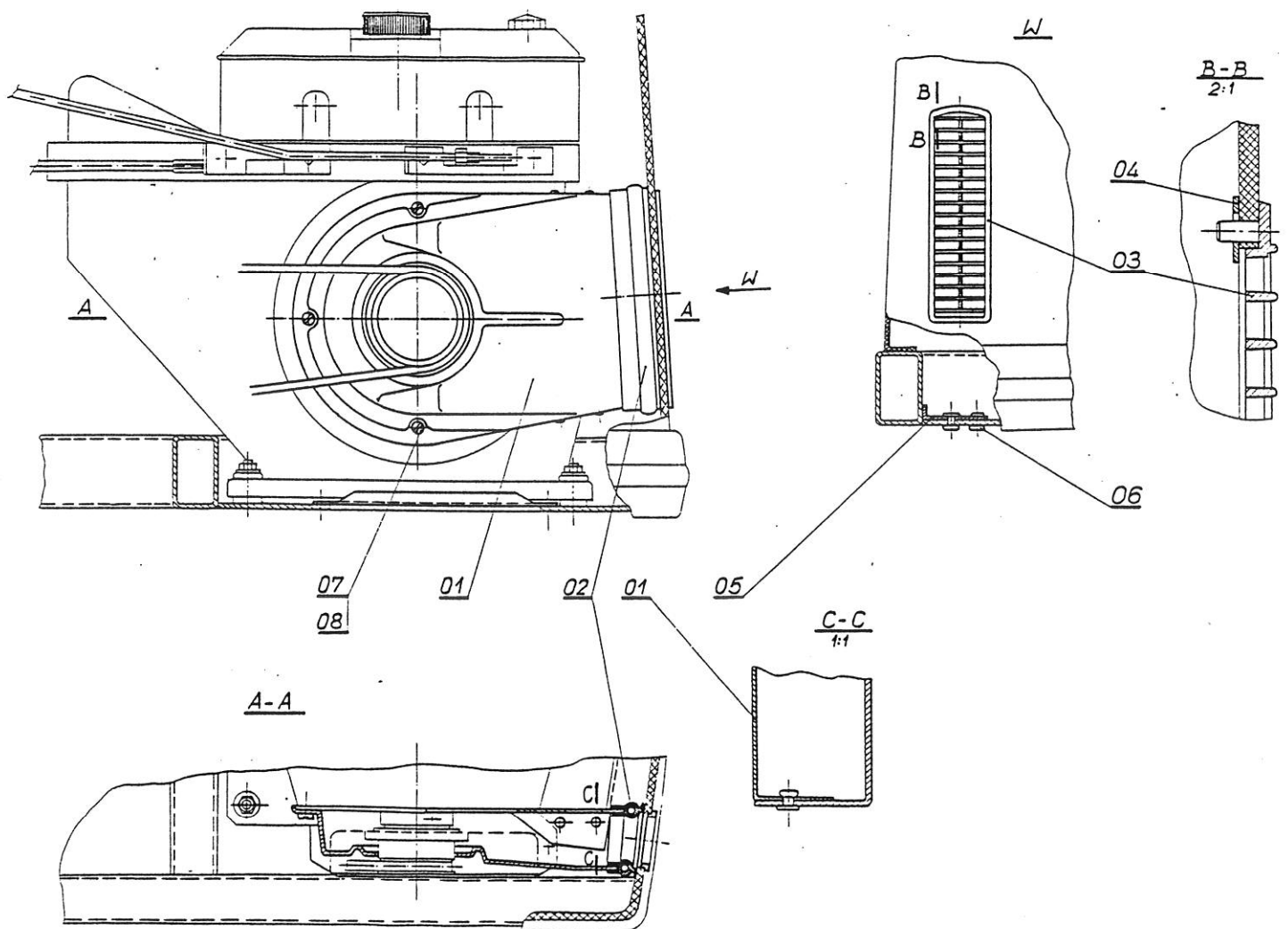
POS.	BENENNUNG	TEILE-NR.	STCK
ITM.	DESCRIPTION	PART-NO.	QTY.
POS.	DESIGNATION	NO.PIECE	NBR.
1	SCHUTZBLECH 1/ GUARD PLATE/ TOLE DE PROTECTION/	6.393-779.0	1
2	SCHUTZBLECH 2/ GUARD PLATE/ TOLE DE PROTECTION/	6.393-780.0	1
4	STANGE/ BAR/ TIGE/	6.903-990.0	1
7	ZYL.SCHR. M 6X 12/ CHEESE HEAD SCREW/ VIS A TETE CYLINDR./	7.306-460.0	1
8	ZYL.SCHR. M 6X 16/ CHEESE HEAD SCREW/ VIS A TETE CYLINDR./	7.306-461.0	2
9	SCHEIBE A 6,4/ WASHER/ RONDELLE/	7.312-045.0	3
10	SCHEIBE 8,4/ WASHER/ RONDELLE/	7.312-277.0	3
11	6KT-MUTTER M 6/ HEXAGON NUT/ ECROU HEXAGONAL/	7.311-425.0	3
12	6KT-MUTTER M 8/ HEXAGON NUT/ ECROU HEXAGONAL/	7.311-427.0	2
13	SCHEIBE B 8,4/ WASHER/ RONDELLE/	7.312-004.0	2
14	DURCHFUEHR.TUELLE/ BUSH/ DOUILLE DE TRAVERSEE/	6.641-402.0	1

GRUPPE: 10.2 MOTORVERBLECHUNG
GROUP: 10.2 COATIN SHEET (MOTOR)
GROUPE: 10.2 TOLE DE COFFRAGE (MOTEUR)

ETL KMR 1200

AB WERKNR/ FROM SER NO/ A PARTIR DU NO.DE FABR

10850



GRUPPE: 10.2 MOTORVERBLECHUNG
GROUP: 10.2 COATIN SHEET (MOTOR)
GROUPE: 10.2 TOLE DE COFFRAGE (MOTEUR)

ETL KMR 1200

AB WERKNR/ FROM SER NO/ A PARTIR DU NO.DE FABR

10850

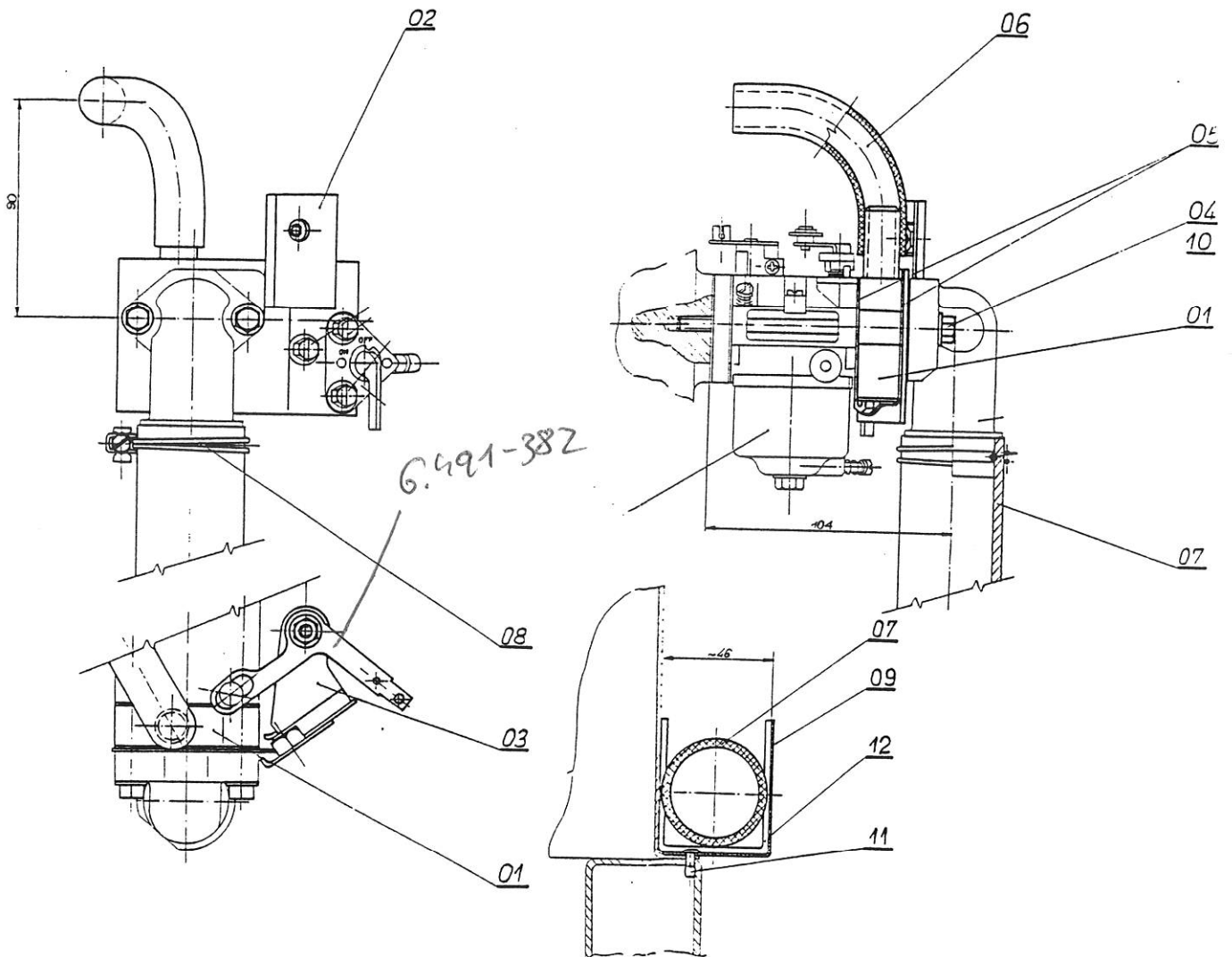
POS. BENENNUNG ITM. DESCRIPTION POS. DESIGNATION	TEILE-NR. PART-NO. NO.PIECE	STCK QTY. NBR.
1 ANSAUGKANAL/ SUCTION PIPE/ CONDUIT D'ASPIRATION	6.903-992.0	1
2 DICHTUNG FILTERKAST/ SEAL/ JOINT/	6.362-266.0	1
3 GITTER/ GRATE/ GRILLE/	6.905-085.0	1
4 SCHNELLBEFESTIGER/ QUICK-FASTENER/ ATTACHE RAPIDE/	6.343-169.0	4
5 BLINDPLATTE/ BLIND PLATE/ PLAQUE/	6.905-084.0	1
6 BLINDNIET 4X9,5/ RIVET/ RIVET AVEUGLE/	6.315-030.0	3
7 ZYL.SCHR. M 6X 12/ CHEESE HEAD SCREW/ VIS A TETE CYLINDR./	7.306-460.0	3
8 SCHEIBE A 6,4/ WASHER/ RONDELLE/	7.312-045.0	3

GRUPPE: 10.2 MOTORVERBLECHUNG
GROUP: 10.2 COATIN SHEET (MOTOR)
GROUPE: 10.2 TOLE DE COFFRAGE (MOTEUR)

ETL KMR 1200

AB WERKNR/ FROM SER NO/ A PARTIR DU NO.DE FABR

10850



GRUPPE: 10.2 MOTORVERBLECHUNG
GROUP: 10.2 COATIN SHEET (MOTOR)
GROUPE: 10.2 TOLE DE COFFRAGE (MOTEUR)

ETL KMR 1200

AB WERKNR/ FROM SER NO/ A PARTIR DU NO.DE FABR 10850

POS. BENENNUNG ITM. DESCRIPTION POS. DESIGNATION	TEILE-NR. PART-NO. NO. PIECE	STCK QTY. NBR.
1 ZWISCHENFLANSCH/ FLANGE/ BRIDE/	6.905-087.0	1
2 VERGASERPLATTE/ CARBARATOR_PLATE/ CABURATEUR_PLAQUE/	6.905-088.0	1
3 KONSOLE/ BRACKET/ CONSOLE/	6.905-288.0	1
4 SCHRAUBE/ SCREW/ VIS/	6.304-088.0	2
5 DICHTUNG/ SEAL/ JOINT/	6.362-830.0	2
6 BOGENKRUEMMER/ ELBOW/ COUDE/	6.902-071.0	1
9 HALTER/ BRACKET/ FIXATION/	6.905-090.0	1
10 SCHEIBE A 6,4/ WASHER/ RONDELLE/	7.312-045.0	2
11 BLINDNIET 4,0X16/ RIVET/ RIVET AVEUGLE/	6.315-062.0	2
12 SCHAUMBAND PE 25X3/ STRAP/ ATTACHE/	6.273-110.0	1

7 Schlauch

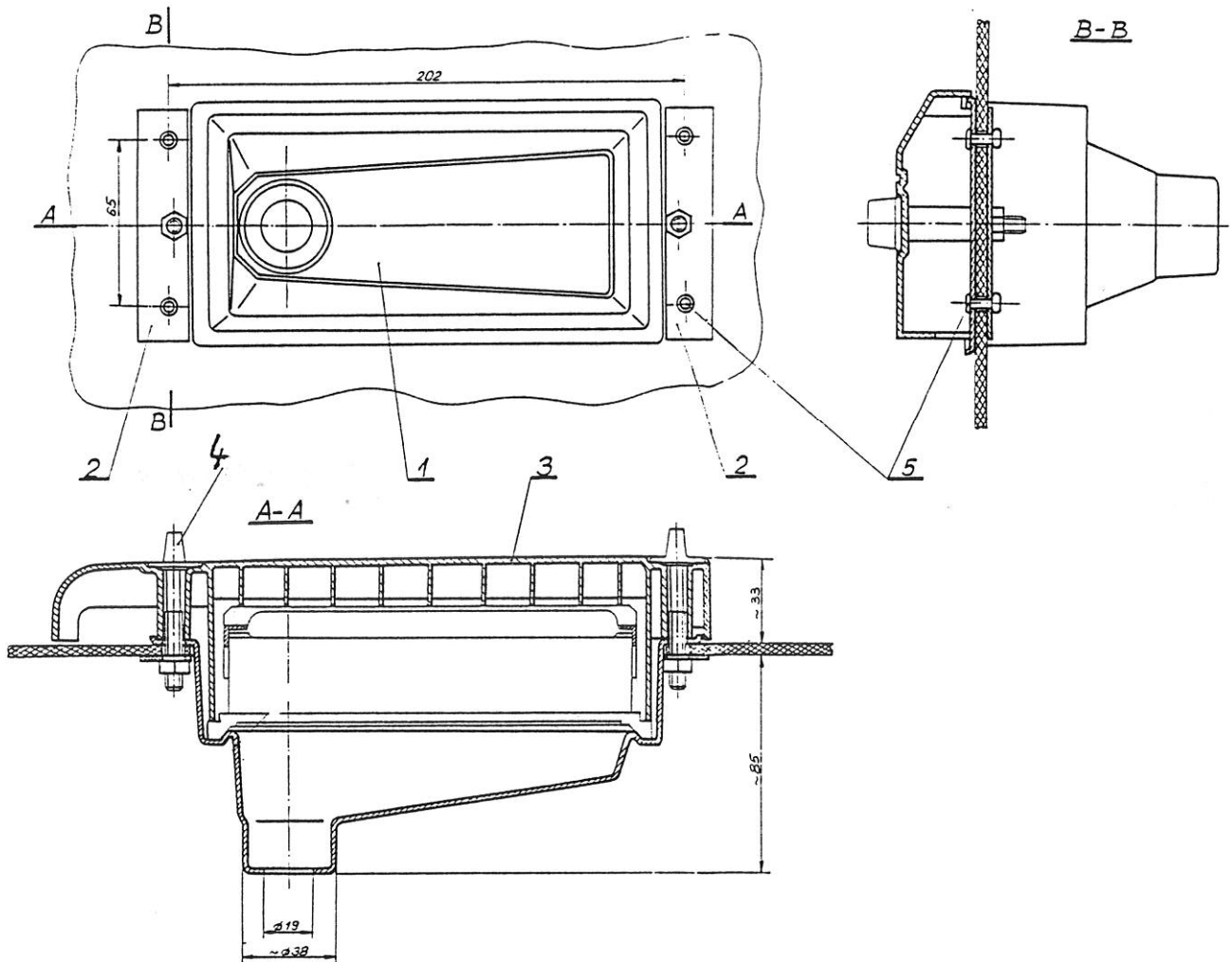
6.389-749 x 7

GRUPPE: 10.2 MOTORVERBLECHUNG
GROUP: 10.2 COATIN SHEET (MOTOR)
GROUPE: 10.2 TOLE DE COFFRAGE (MOTEUR)

ETL KMR 1200

AB WERKNR/ FROM SER NO/ A PARTIR DU NO.DE FABR

10850



GRUPPE: 10.2 MOTORVERBLECHUNG
GROUP: 10.2 COATIN SHEET (MOTOR)
GROUPE: 10.2 TOLE DE COFFRAGE (MOTEUR)

ETL KMR 1200

AB WERKNR/ FROM SER NO/ A PARTIR DU NO.DE FABR

10850

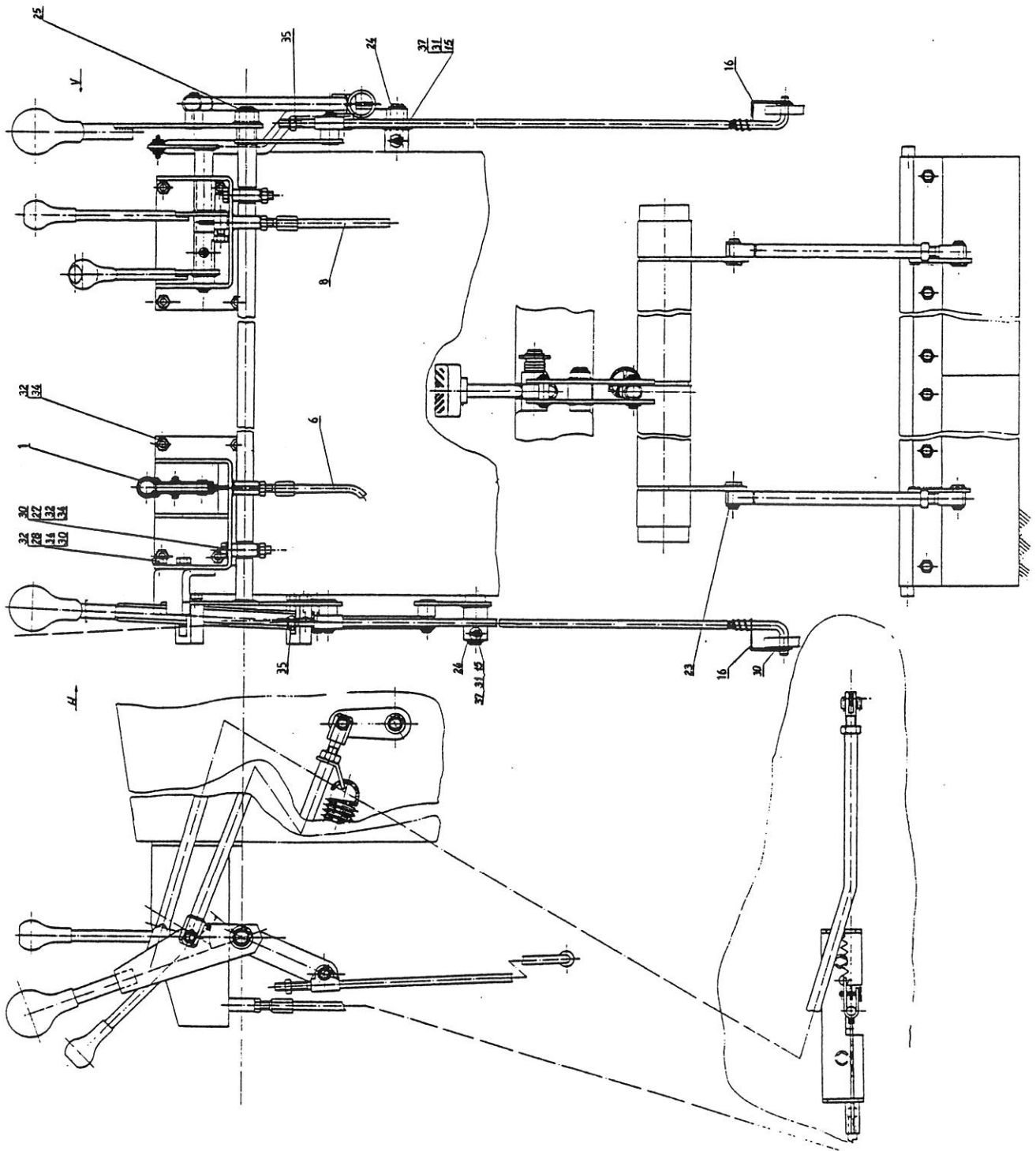
POS. BENENNUNG ITM. DESCRIPTION POS. DESIGNATION	TEILE-NR. PART-NO. NO.PIECE	STCK QTY. NBR.
1 FILTERGEHAEUSE/ FILTER CASE/ BATI DE FILTRE	6.414-434.0	1
2 PLATTE/ PLATE/ PLAQUE/	6.905-089.0	2
3 FILTERDECKEL/ FILTER COVER/ CUVERCLE DE FILTRE/	6.414-435.0	1
4 SCHRAUBE/ SCREW/ VIS/	6.304-089.0	2
5 BLINDNIET 4,0X16/ RIVET/ RIVET AVEUGLE/	6.315-062.0	4

GRUPPE: 11 STEUERUNG
GROUP: 11 CONTROL SYSTEM
GROUPE: 11 COMMANDE

ETL KMR 1200

BIS WERKNR/ UP TO SER NO / JUSQU'AU NO.DE FABR

10019



GRUPPE: 11 STEUERUNG
GROUP: 11 CONTROL SYSTEM
GROUPE: 11 COMMANDE

ETL KMR 1200

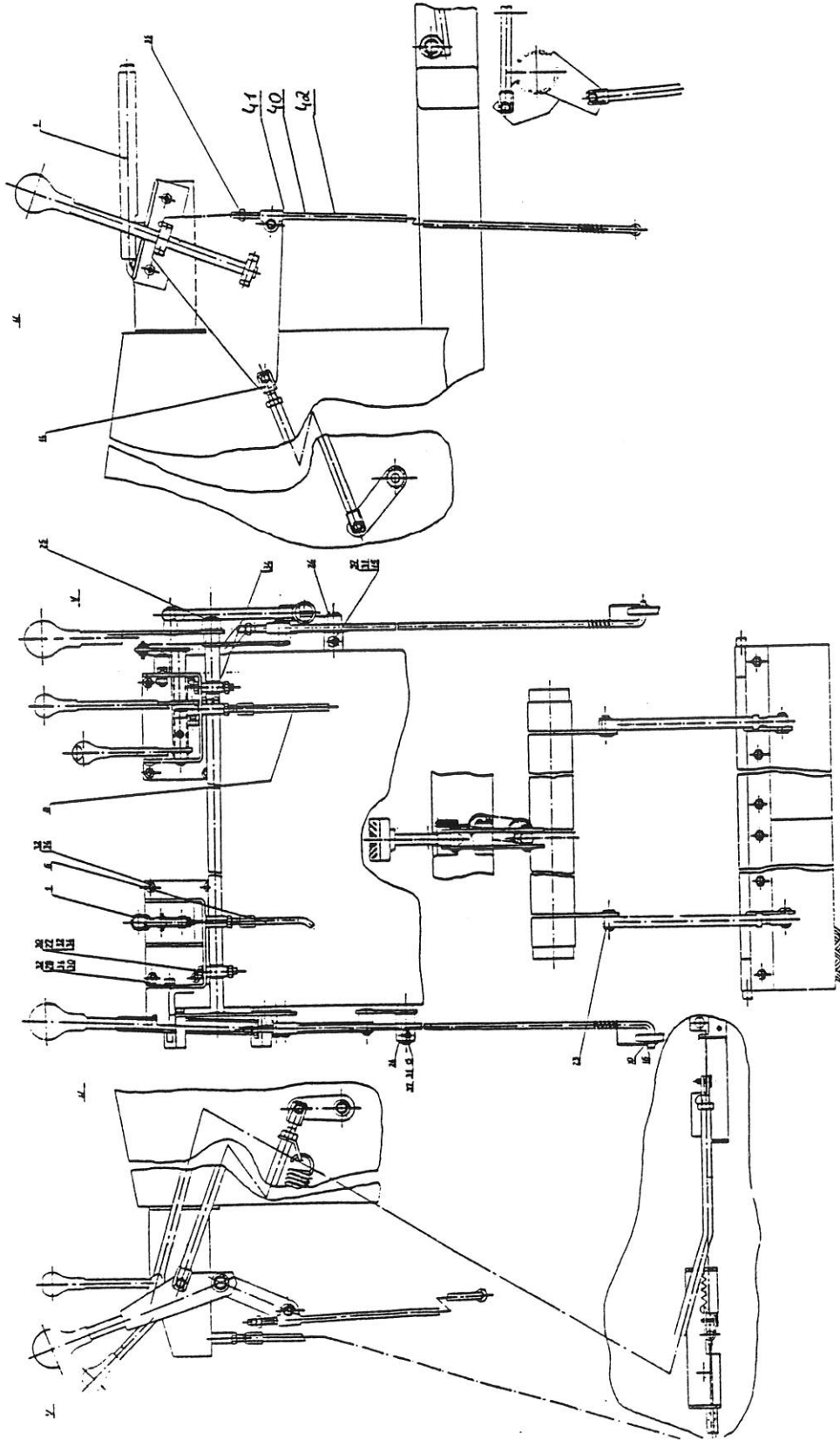
BIS WERKNR/ UP TO SER NO / JUSQU'AU NO.DE FABR 10019

POS.	BENENNUNG	TEILE-NR.	STCK
ITM.	DESCRIPTION	PART-NO.	QTY.
POS.	DESIGNATION	NO.PIECE	NBR.
1	HANDBREMSE/ HAND BRAKE/ FREIN A MAIN/	6.467-007.0	1
8	SEILZUG CHOKE/ TACKLE/ TIRANT ACABLE/	6.431-081.0	1
15	BOLZEN D5X28/ BOLT/ BOULON/	6.316-040.0	2
16	SICHERUNGSFEDER/ RETAINING SPRING/ RESSORT D'ARRET/	6.316-052.0	2
23	S-RING 8X0,8/ SPRING CLIP/ CIRCLIP/	7.343-014.0	4
24	S-RING 10X1/ SPRING CLIP/ CIRCLIP/	7.343-001.0	2
25	S-RING 12X1/ SPRING CLIP/ CIRCLIP/	7.343-003.0	1
27	6KT-SCHR. M 6X 35/ HEXAGONAL HEAD SCREW/ VIS HEXAGONAL/	7.304-388.0	4
28	6KT-SCHR. M 6X 12/ HEXAGONAL HEAD SCREW/ VIS HEXAGONAL/	7.304-382.0	2
30	SCHEIBE B 6,4/ WASHER/ RONDELLE/	7.312-003.0	8
31	SCHEIBE B 5,3/ WASHER/ RONDELLE/	7.312-002.0	4
32	FEDERRING B 6/ SPRING WASHER/ RONDELLE GROWER/	7.313-003.0	14
34	6KT-MUTTER M 6/ HEXAGON NUT/ ECROU HEXAGONAL/	7.311-003.0	14
35	6KT-MUTTER M 6/ HEXAGON NUT/ ECROU HEXAGONAL/	7.311-425.0	2
37	SPLINT 1,6X 12/ COTTER/ GOUPILLE FENDUE/	7.316-321.0	4

GRUPPE: 11 STEUERUNG
GROUP: 11 CONTROL SYSTEM
GROUPE: 11 COMMANDE

ETL KMR 1200

AB WERKNR/ FROM SER NO/ A PARTIR DU NO.DE FABR 10020
BIS WERKNR/ UP TO SER NO / JUSQU'AU NO.DE FABR 10849



GRUPPE: 11 STEUERUNG
GROUP: 11 CONTROL SYSTEM
GROUPE: 11 COMMANDE

ETL KMR 1200

AB WERKNR/ FROM SER NO/ A PARTIR DU NO.DE FABR 10020
BIS WERKNR/ UP TO SER NO / JUSQU'AU NO.DE FABR 10849

POS. BENENNUNG ITM. DESCRIPTION POS. DESIGNATION	TEILE-NR. PART-NO. NO. PIECE	STCK QTY. NBR.
1 HANDBREMSE/ HAND BRAKE/ FREIN A MAIN/	6.467-007.0	1
6 HANDBREMSSEIL/ BRAKE HAND ROPE/ CABLE FREIN (MAIN)/	6.467-008.0	1
8 SEILZUG CHOKE/ TACKLE/ TIRANT ACABLE/	6.431-081.0	1
15 BOLZEN D5X28/ BOLT/ BOULON/	6.316-040.0	2
16 SICHERUNGSFEDER/ RETAINING SPRING/ RESSORT D'ARRET/	6.316-052.0	2
23 S-RING 8X0,8/ SPRING CLIP/ CIRCLIP/	7.343-014.0	4
24 S-RING 10X1/ SPRING CLIP/ CIRCLIP/	7.343-001.0	2
25 S-RING 12X1/ SPRING CLIP/ CIRCLIP/	7.343-003.0	1
27 6KT-SCHR. M 6X 35/ HEXAGONAL HEAD SCREW/ VIS HEXAGONAL/	7.304-388.0	4
28 6KT-SCHR. M 6X 12/ HEXAGONAL HEAD SCREW/ VIS HEXAGONAL/	7.304-382.0	2
30 SCHEIBE B 6,4/ WASHER/ RONDELLE/	7.312-003.0	8
31 SCHEIBE B 5,3/ WASHER/ RONDELLE/	7.312-002.0	4
32 FEDERRING B 6/ SPRING WASHER/ RONDELLE GROWER/	7.313-003.0	14
34 6KT-MUTTER M 6/ HEXAGON NUT/ ECROU HEXAGONAL/	7.311-003.0	15
35 6KT-MUTTER M 6/ HEXAGON NUT/ ECROU HEXAGONAL/	7.311-425.0	2
37 SPLINT 1,6X 12/ COTTER/ GOUPILLE FENDUE/	7.316-321.0	4
40 TUELLE/ RUBBER BUSHING/ MANCHON/	6.641-384.0	2
41 SCHEIBE R 6,6/ WASHER/ RONDELLE/	7.312-260.0	4
42 STELLRING A 6/ SET COLLAR/ BAGUE/	7.312-500.0	2

GRUPPE: 11 STEUERUNG
GROUP: 11 CONTROL SYSTEM
GROUPE: 11 COMMANDE

ETL KMR 1200

AB WERKNR/ FROM SER NO/ A PARTIR DU NO.DE FABR

10850

Zum Zeitpunkt dieser Ausgabe lag leider noch keine
Zeichnung dieser Gruppe vor!!
Wir bitten, dies zu entschuldigen!!

GRUPPE: 11 STEUERUNG
GROUP: 11 CONTROL SYSTEM
GROUPE: 11 COMMANDE

ETL KMR 1200

AB WERKNR/ FROM SER NO/ A PARTIR DU NO.DE FABR 10850

POS. BENENNUNG ITM. DESCRIPTION POS. DESIGNATION	TEILE-NR. PART-NO. NO. PIECE	STCK QTY. NBR.
1 HANDBREMSE/ HAND BRAKE/ FREIN A MAIN/	6.467-007.0	1
2 CHOKESTEUERUNG/ CHOKE CONTROL SYSTEM/ ETRANGLEUR-COMMANDE/	6.903-461.0	1
3 GASSTEUERUNG/ CONTROL SYSTEM/ COMMANDE/	6.903-462.0	1
4 STEUERUNG FILTERKA./ CONTROL SYSTEM/ COMMANDE/	6.903-855.0	1
5 STEUERUNG/ CONTROL SYSTEM/ COMMANDE/	6.903-856.0	1
6 HANDBREMSSEIL/ BRAKE HAND ROPE/ CABLE FREIN (MAIN)/	6.467-008.0	1
7 FILTERRUETTLER ELEK/ FILTER VIBRATOR/ FILTRE VIBREUR/	6.905-293.0	1
8 SEILZUG CHOKE/ TACKLE/ TIRANT ACABLE/	6.431-081.0	1
15 BOLZEN D5X28/ BOLT/ BOULON/	6.316-040.0	2
16 SICHERUNGSFEDER/ RETAINING SPRING/ RESSORT D'ARRET/	6.316-052.0	2
23 S-RING 8X0,8/ SPRING CLIP/ CIRCLIP/	7.343-014.0	4
24 S-RING 10X1/ SPRING CLIP/ CIRCLIP/	7.343-001.0	2
25 S-RING 12X1/ SPRING CLIP/ CIRCLIP/	7.343-003.0	1
27 6KT-SCHR. M 6X 35/ HEXAGONAL HEAD SCREW/ VIS HEXAGONAL/	7.304-388.0	4
28 6KT-SCHR. M 6X 12/ HEXAGONAL HEAD SCREW/ VIS HEXAGONAL/	7.304-382.0	2
31 SCHEIBE B 5,3/ WASHER/ RONDELLE/	7.312-002.0	4
32 FEDERRING B 6/ SPRING WASHER/ RONDELLE GROWER/	7.313-003.0	14
34 6KT-MUTTER M 6/ HEXAGON NUT/ ECROU HEXAGONAL/	7.311-003.0	15
35 6KT-MUTTER M 6/ HEXAGON NUT/ ECROU HEXAGONAL/	7.311-425.0	2
37 SPLINT 1,6X 12/ COTTER/ GOUPILLE FENDUE/	7.316-321.0	4

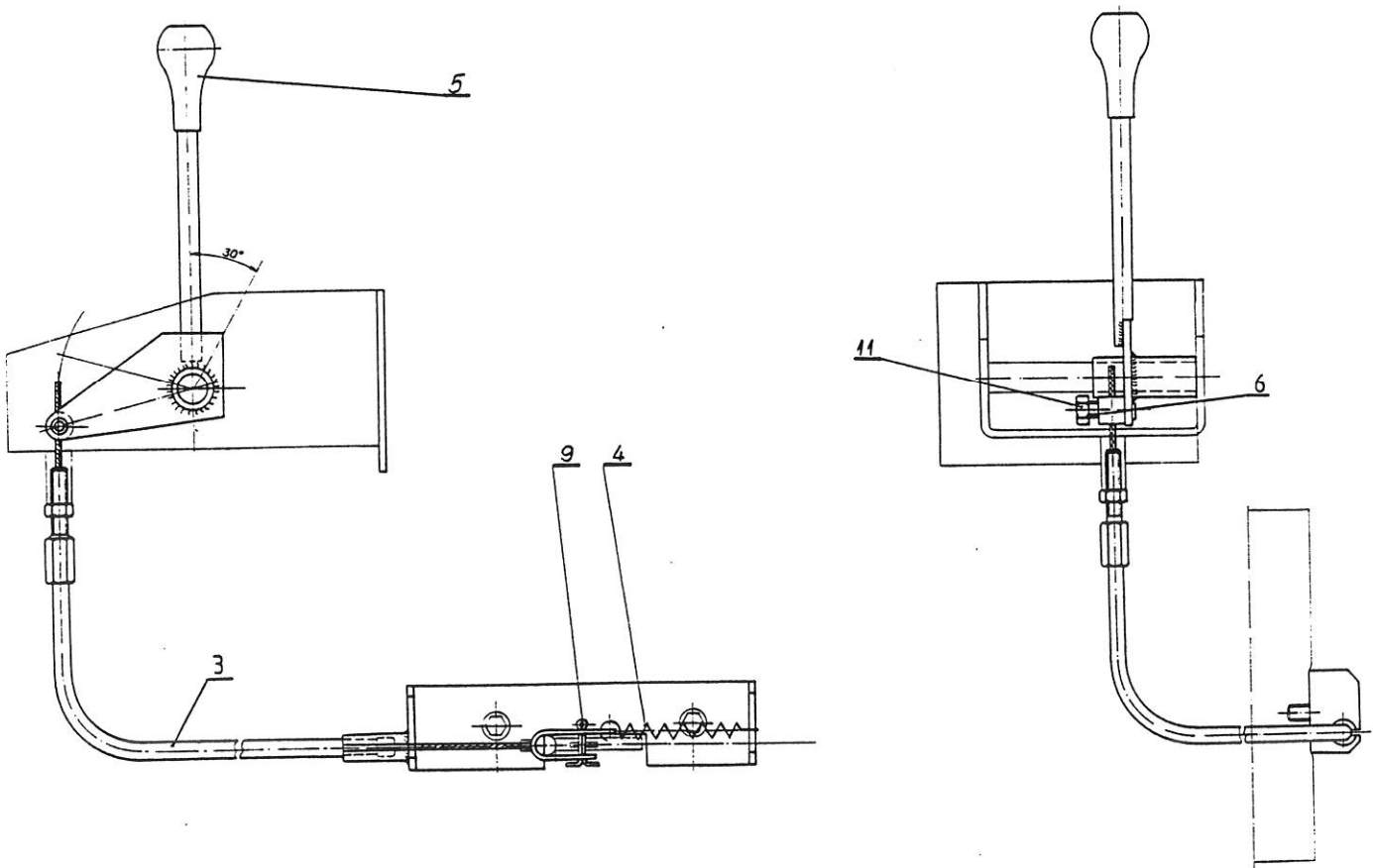
GRUPPE: 11.1 CHOKESTEUERUNG
GROUP: 11.1 CHOKE CONTROL SYSTEM
GROUPE: 11.1 ETRANGLEUR-COMMANDE

ETL KMR 1200

POS. BENENNUNG
ITM. DESCRIPTION
POS. DESIGNATION

TEILE-NR.
PART-NO.
NO. PIECE

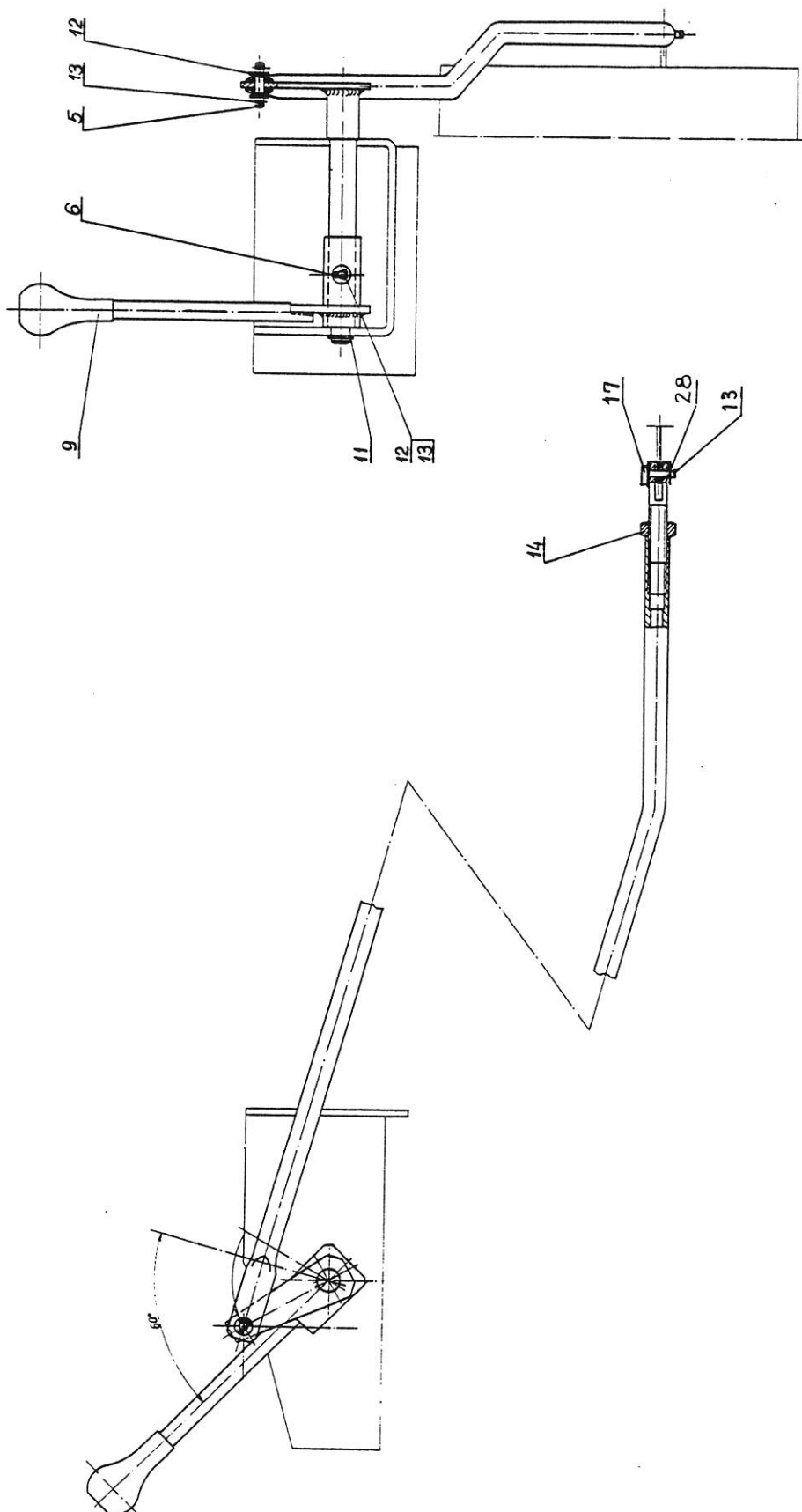
STCK
QTY.
NBR.



GRUPPE: 11.1 CHOKESTEUERUNG
GROUP: 11.1 CHOKE CONTROL SYSTEM
GROUPE: 11.1 ETRANGLEUR-COMMANDE

ETL KMR 1200

POS. BENENNUNG ITM. DESCRIPTION POS. DESIGNATION	TEILE-NR. PART-NO. NO. PIECE	STCK QTY. NBR.
3 SEILZUG CHOKE/ TACKLE/ TIRANT ACABLE/	6.431-081.0	1
4 FEDER/ SPRING/ RESSORT/	6.330-033.0	1
5 GRIFF D22/ HANDLE/ POIGNEE/	6.321-078.0	1
6 BOLZEN/ BOLT/ BOULON/	6.316-041.0	1
9 SPLINT 3,2X 16/ COTTER/ GOUPILLE FENDUE/	7.316-341.0	1
11 6KT-SCHR. M 6X 12/ HEXAGONAL HEAD SCREW/ VIS HEXAGONAL/	7.304-382.0	1



GRUPPE: 11.2 GASSTEUERUNG
GROUP: 11.2 CONTROL SYSTEM
GROUPE: 11.2 COMMANDE

ETL KMR 1200

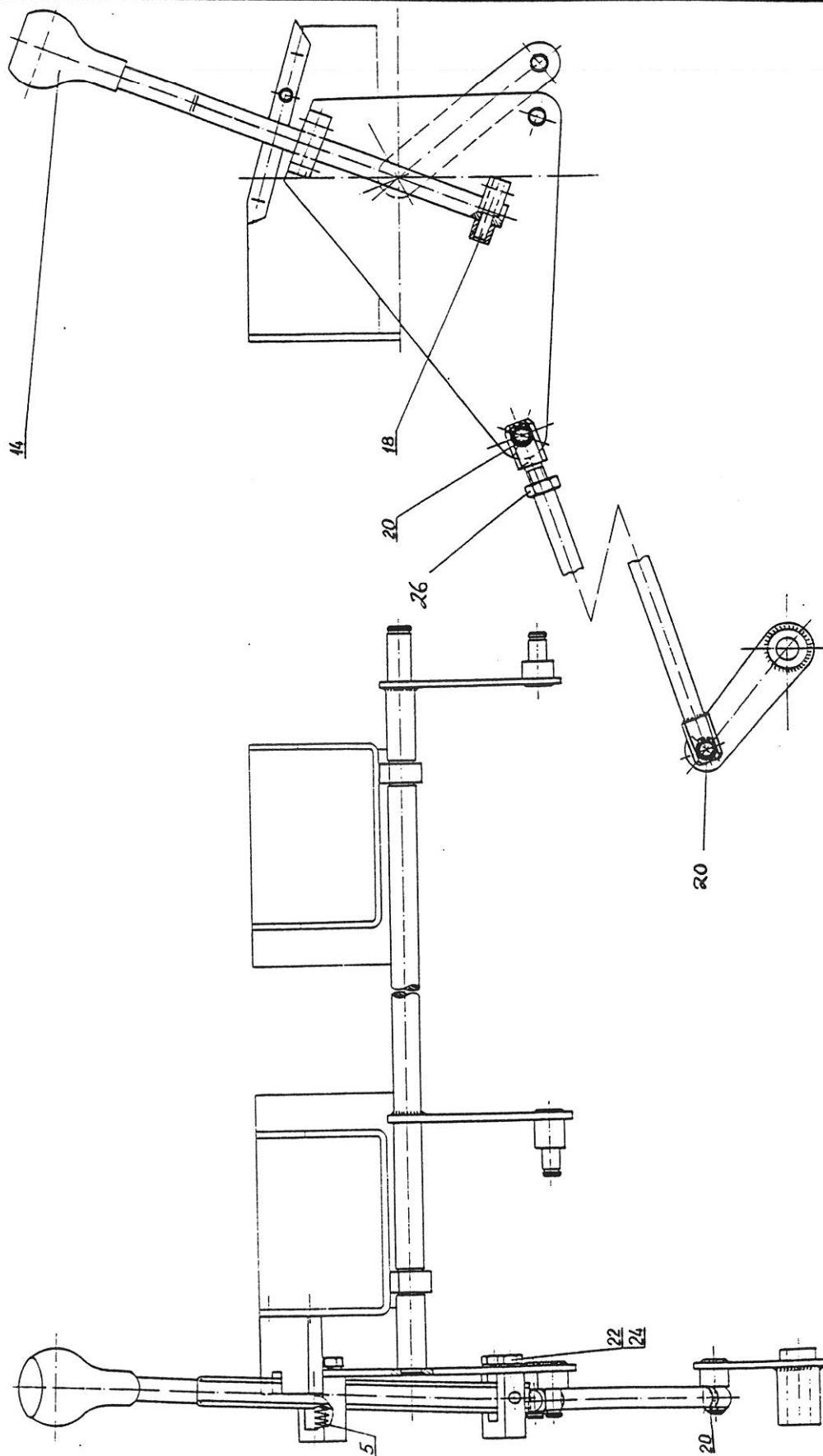
POS.	BENENNUNG	TEILE-NR.	STCK
ITM.	DESCRIPTION	PART-NO.	QTY.
POS.	DESIGNATION	NO. PIECE	NBR.
3	STANGE/ BAR/ TIGE/	6.905-062.0	1
5	STIFT/ PIN/ CHEVILLE/	6.316-046.0	1
6	STIFT/ PIN/ CHEVILLE/	6.316-047.0	1
9	GRIFF D22/ HANDLE/ POIGNEE/	6.321-078.0	1
11	S-RING 8X0,8/ SPRING CLIP/ CIRCLIP/	7.343-014.0	1
12	SCHEIBE A 4,3/ WASHER/ RONDELLE/	7.312-001.0	4
13	SPLINT 1,6X 10/ COTTER/ GOUPILLE FENDUE/	7.316-410.0	5
14	6KT-MUTTER M 8/ HEXAGON NUT/ ECROU HEXAGONAL/	7.311-004.0	1
17	BOLZEN/ BOLT/ BOULON/	6.316-064.0	1
28	SCHEIBE A 3,2/ WASHER/ RONDELLE/	7.312-043.0	1

GRUPPE: 11.3 STEUERUNG - FILTERKASTENKLAPPE
GROUP: 11.3 CONTROL SYSTEM - FILTER BOX FLAP
GROUPE: 11.3 COMMANDE - CLAPET DE FILTRE

ETL KMR 1200

BIS WERKNR/ UP TO SER NO / JUSQU'AU NO.DE FABR

10019



GRUPPE: 11.3 STEUERUNG - FILTERKASTENKLAPPE
GROUP: 11.3 CONTROL SYSTEM - FILTER BOX FLAP
GROUPE: 11.3 COMMANDE - CLAPET DE FILTRE

ETL KMR 1200

BIS WERKNR/ UP TO SER NO / JUSQU'AU NO.DE FABR 10019

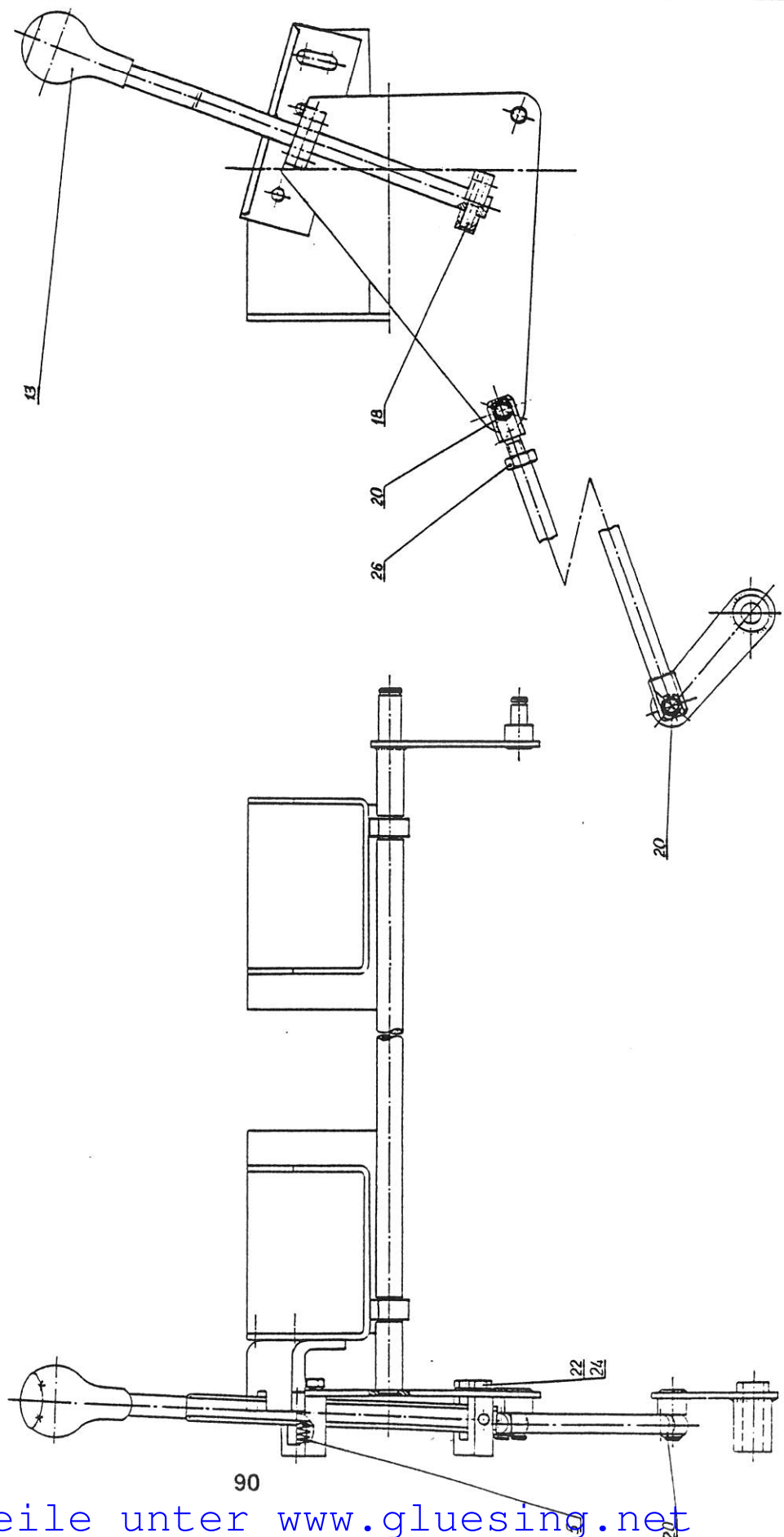
POS. BENENNUNG ITM. DESCRIPTION POS. DESIGNATION	TEILE-NR. PART-NO. NO.PIECE	STCK QTY. NBR.
5 FEDER/ SPRING/ RESSORT/	6.330-035.0	1
14 GRIFF D36/ HANDLE/ POIGNEE/	6.321-080.0	1
18 STIFT D6X25/ PIN/ CHEVILLE/	6.316-044.0	1
20 S-RING 8X0,8/ SPRING CLIP/ CIRCLIP/	7.343-014.0	2
22 6KT-SCHR. M 6X 12/ HEXAGONAL HEAD SCREW/ VIS HEXAGONAL/	7.304-382.0	4
24 FEDERRING B 6/ SPRING WASHER/ RONDELLE GROWER/	7.313-003.0	4
26 6KT-MUTTER M 8/ HEXAGON NUT/ ECROU HEXAGONAL/	7.311-004.0	1

GRUPPE: 11.3 STEUERUNG - FILTERKASTENKLAPPE
GROUP: 11.3 CONTROL SYSTEM - FILTER BOX FLAP
GROUPE: 11.3 COMMANDE - CLAPET DE FILTRE

ETL KMR 1200

AB WERKNR/ FROM SER NO/ A PARTIR DU NO.DE FABR

10020



GRUPPE: 11.3 STEUERUNG - FILTERKASTENKLAPPE
GROUP: 11.3 CONTROL SYSTEM - FILTER BOX FLAP
GROUPE: 11.3 COMMANDE - CLAPET DE FILTRE

ETL KMR 1200

AB WERKNR/ FROM SER NO/ A PARTIR DU NO.DE FABR 10020

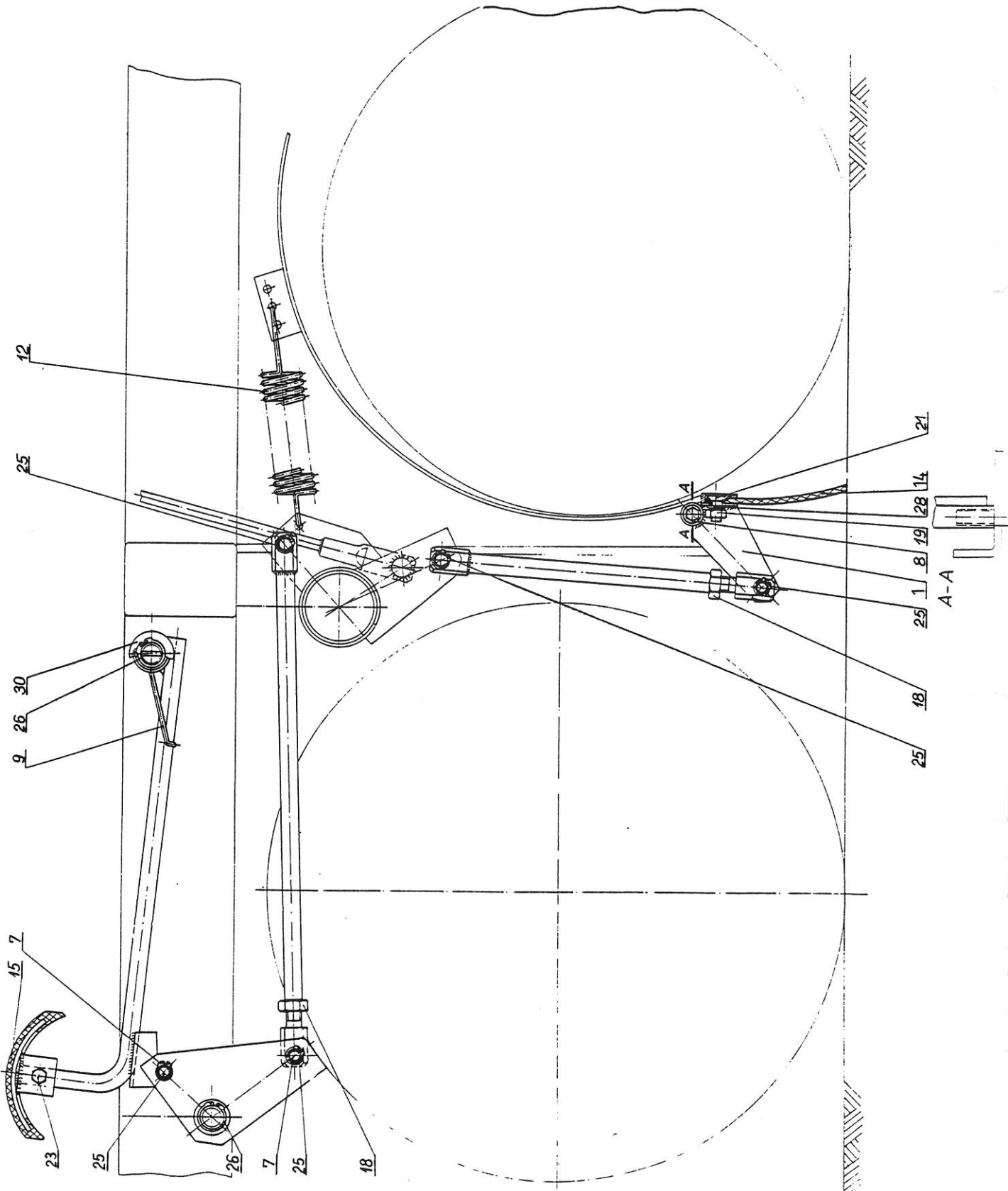
POS. BENENNUNG ITM. DESCRIPTION POS. DESIGNATION	TEILE-NR. PART-NO. NO.PIECE	STCK QTY. NBR.
1 ACHSE/ AXLE/ ESSIEU/	6.437-441.0	1
2 STANGE/ BAR/ TIGE/	6.903-959.0	1
3 HEBEL/ LEVER/ LEVIER/	6.373-580.0	1
4 STANGE/ BAR/ TIGE/	6.903-960.0	1
5 FEDER/ SPRING/ RESSORT/	6.330-035.0	1
6 HALTER/ BRACKET/ FIXATION/	6.373-581.0	1
7 HALTER/ BRACKET/ FIXATION/	6.373-582.0	1
8 HALTER/ BRACKET/ FIXATION/	6.373-583.0	2
9 BLECH/ PLATE/ TOLE/	6.903-961.0	2
10 WINKEL/ ANGLE/ ANGLE/	6.903-962.0	1
11 VERSTELLTEIL/ ADJUSTING KNOB/ VIS MOLET.P.REGLAGE/	6.902-063.0	1
13 GRIFF D36/ HANDLE/ POIGNEE/	6.321-080.0	1
17 ZYL.STIFT 5,0X 20/ STRAIGHT PIN/ GOUPILLE CYLINDR./	7.314-099.0	1
18 STIFT D6X25/ PIN/ CHEVILLE/	6.316-044.0	1
20 S-RING 8X0,8/ SPRING CLIP/ CIRCLIP/	7.343-014.0	2
22 6KT-SCHR. M 6X 12/ HEXAGONAL HEAD SCREW/ VIS HEXAGONAL/	7.304-382.0	4
24 FEDERRING B 6/ SPRING WASHER/ RONDELLE GROWER/	7.313-003.0	4
26 6KT-MUTTER M 8/ HEXAGON NUT/ ECROU HEXAGONAL/	7.311-004.0	1

GRUPPE: 11.4 STEUERUNG - KEHRWALZENKLAPPE
GROUP: 11.4 CONTROL SYSTEM - SWEEP ROLLER FLAP
GROUPE: 11.4 COMMANDE - CLAPET DE CYL. BALAYER

ETL KMR 1200

BIS WERKNR/ UP TO SER NO / JUSQU'AU NO.DE FABR

10019



GRUPPE: 11.4 STEUERUNG - KEHRWALZENKLAPPE ETL KMR 1200
 GROUP: 11.4 CONTROL SYSTEM - SWEEP ROLLER FLAP
 GROUPE: 11.4 COMMANDE - CLAPET DE CYL. BALAYER

BIS WERKNR/ UP TO SER NO / JUSQU'AU NO.DE FABR 10019

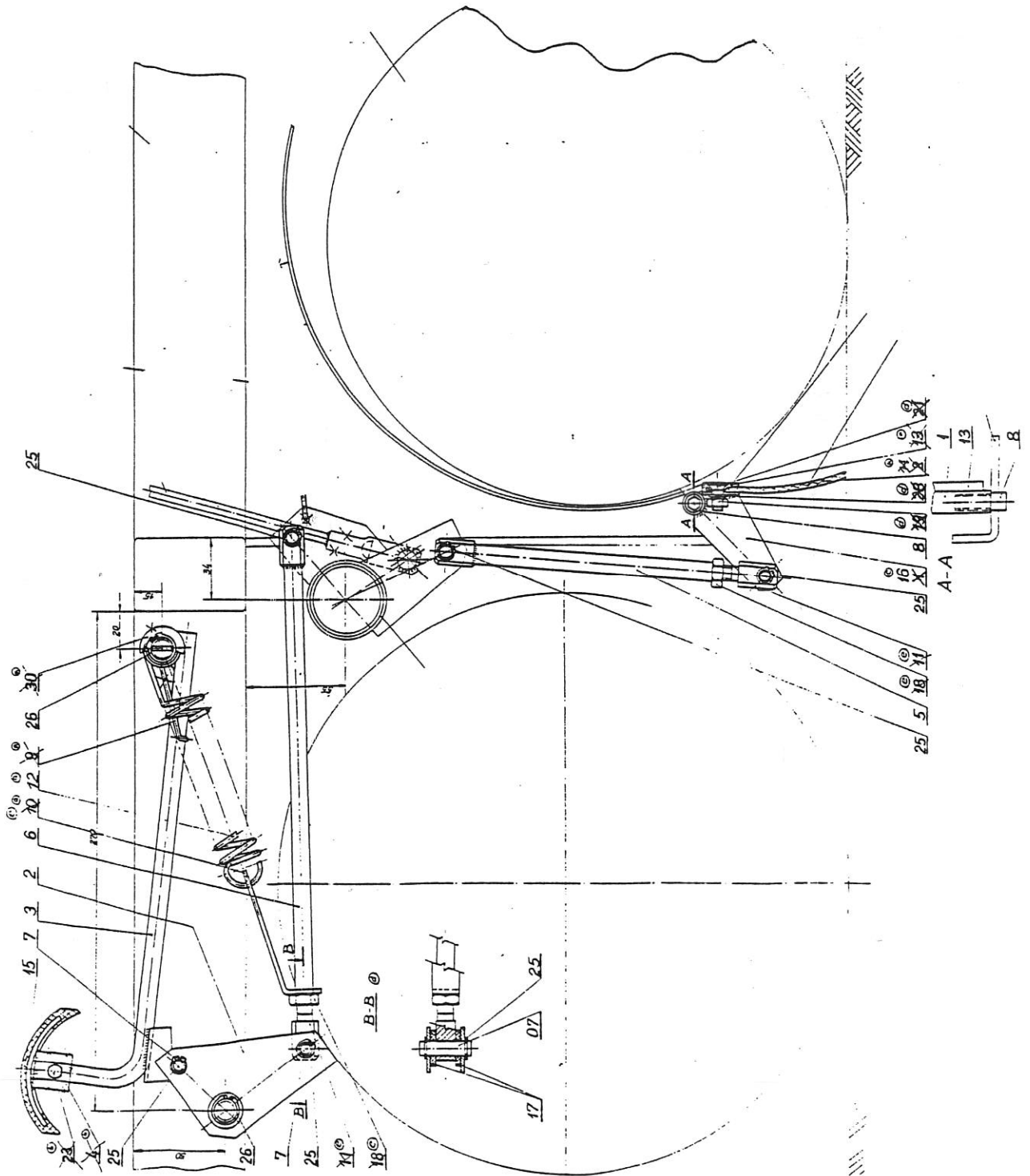
POS.	BENENNUNG ITM. DESCRIPTION POS. DESIGNATION	TEILE-NR. PART-NO. NO.PIECE	STCK QTY. NBR.
1	KLAPPE/ FLAP/ CLAPET/	6.903-502.0	1
7	BOLZEN/ BOLT/ BOULON/	6.316-048.0	2
8	ZAPFEN/ PIN/ TOURILLON/	6.316-049.0	2
9	FEDER/ SPRING/ RESSORT/	6.330-037.0	1
12	FEDER/ SPRING/ RESSORT/	6.330-034.0	1
14	GUMMISCHUERZE/ RUBBER APRON/ TABLIER CAOUTCHOUC/	6.903-442.0	2
15	PEDALGUMMI/ PEDAL RUBBER/ CAOUTCHOUC/	6.903-454.0	1
18	6KT-MUTTER M 8/ HEXAGON NUT/ ECROU HEXAGONAL/	7.311-004.0	2
19	6KT-MUTTER M 6/ HEXAGON NUT/ ECROU HEXAGONAL/	7.311-003.0	8
21	SENKCHR. M 6X 16/ FLAT HEADED SCREW/ VIS A TETE CONIQUE/	7.305-061.0	8
23	6KT-SCHR. M 5X 20/ HEXAGONAL HEAD SCREW/ VIS HEXAGONAL/	7.304-374.0	1
25	S-RING 8X0,8/ SPRING CLIP/ CIRCLIP/	7.343-014.0	9
26	S-RING 12X1/ SPRING CLIP/ CIRCLIP/	7.343-003.0	3
28	FEDERRING B 6/ SPRING WASHER/ RONDELLE GROWER/	7.313-003.0	8
30	SCHEIBE 13/ WASHER/ RONDELLE/	7.312-287.0	1

GRUPPE: 11.4 STEUERUNG - KEHRWALZENKLAPPE
GROUP: 11.4 CONTROL SYSTEM - SWEEP ROLLER FLAP
GROUPE: 11.4 COMMANDE - CLAPET DE CYL. BALAYER

ETL KMR 1200

AB WERKNR/ FROM SER NO/ A PARTIR DU NO.DE FABR

10020



GRUPPE: 11.4 STEUERUNG - KEHRWALZENKLAPPE
 GROUP: 11.4 CONTROL SYSTEM - SWEEP ROLLER FLAP
 GROUPE: 11.4 COMMANDE - CLAPET DE CYL. BALAYER

ETL KMR 1200

AB WERKNR/ FROM SER NO/ A PARTIR DU NO.DE FABR 10020

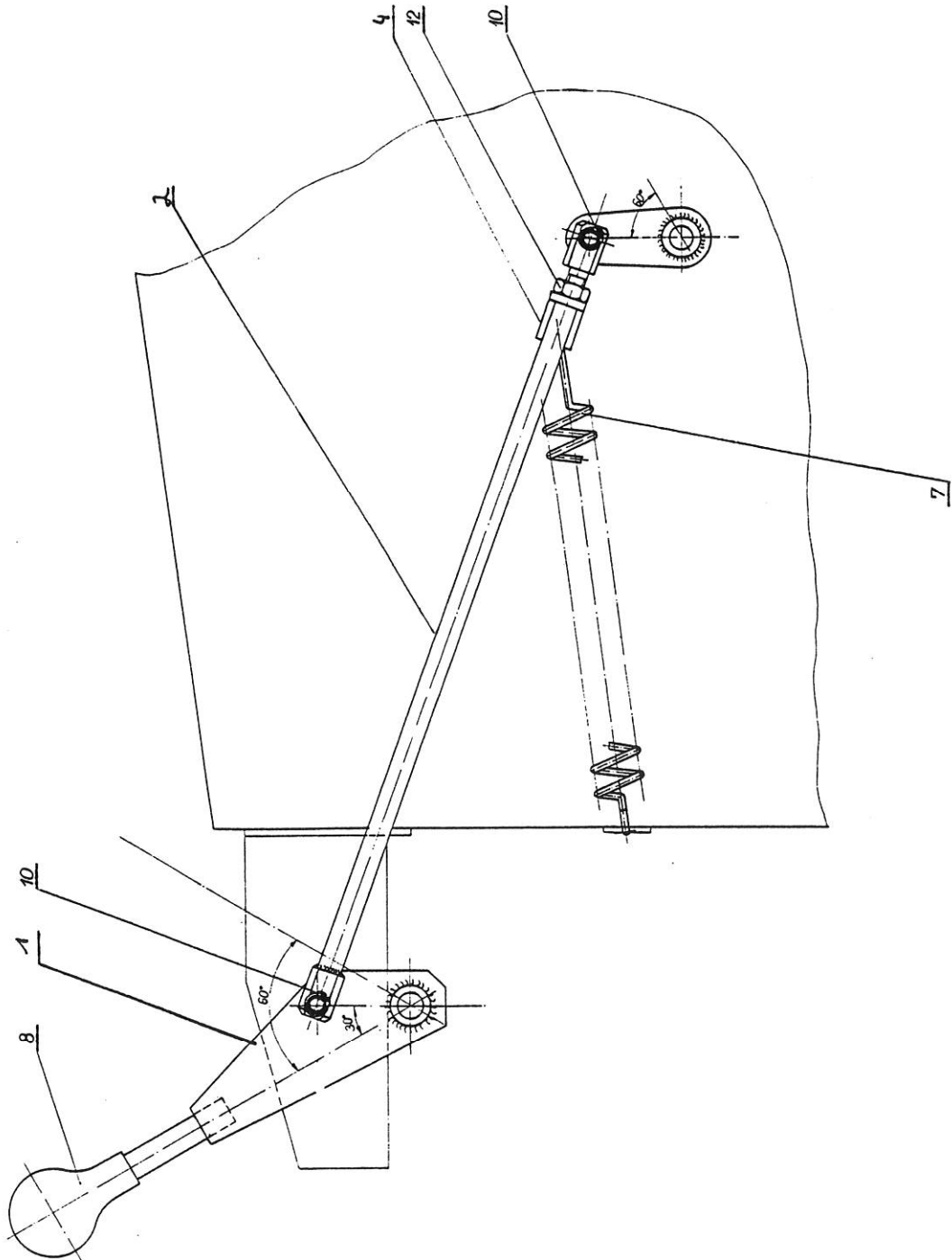
POS.	BENENNUNG	TEILE-NR.	STCK
ITM.	DESCRIPTION	PART-NO.	QTY.
POS.	DESIGNATION	NO.PIECE	NBR.
2	HEBEL/ LEVER/ LEVIER/	6.373-584.0	1
3	PEDAL/ PEDAL/ PEDALE/	6.439-128.0	1
5	STANGE/ BAR/ TIGE/	6.905-028.0	1
6	STANGE/ BAR/ TIGE/	6.905-029.0	1
7	BOLZEN/ BOLT/ BOULON/	6.316-048.0	2
8	ZAPFEN/ PIN/ TOURILLON/	6.316-049.0	2
12	FEDER/ SPRING/ RESSORT/	6.330-034.0	1
15	PEDALGUMMI/ PEDAL RUBBER/ CAOUTCHOUC/	6.903-454.0	1
16	KLAPPE/ FLAP/ CLAPET/	6.903-502.0	1 *01
18	6KT-MUTTER M 8/ HEXAGON NUT/ ECROU HEXAGONAL/	7.311-004.0	2
25	S-RING 8X0,8/ SPRING CLIP/ CIRCLIP/	7.343-014.0	9
26	S-RING 12X1/ SPRING CLIP/ CIRCLIP/	7.343-003.0	2

*01 AB WERKNR. 10150
 FROM SERIAL NO. 10150
 A PARTIR DU NUMERO DE FABRICATION 10150

GRUPPE: 11.5 RUETTELSTEUERUNG
GROUP: 11.5 VIBRATORY CONTROL SYSTEM
GROUPE: 11.5 COMMANDE VIBRANTE

ETL KMR 1200

BIS WERKNR/ UP TO SER NO / JUSQU'AU NO.DE FABR 10849



GRUPPE: 11.5 RUETTELSTEUERUNG
GROUP: 11.5 VIBRATORY CONTROL SYSTEM
GROUPE: 11.5 COMMANDE VIBRANTE

ETL KMR 1200

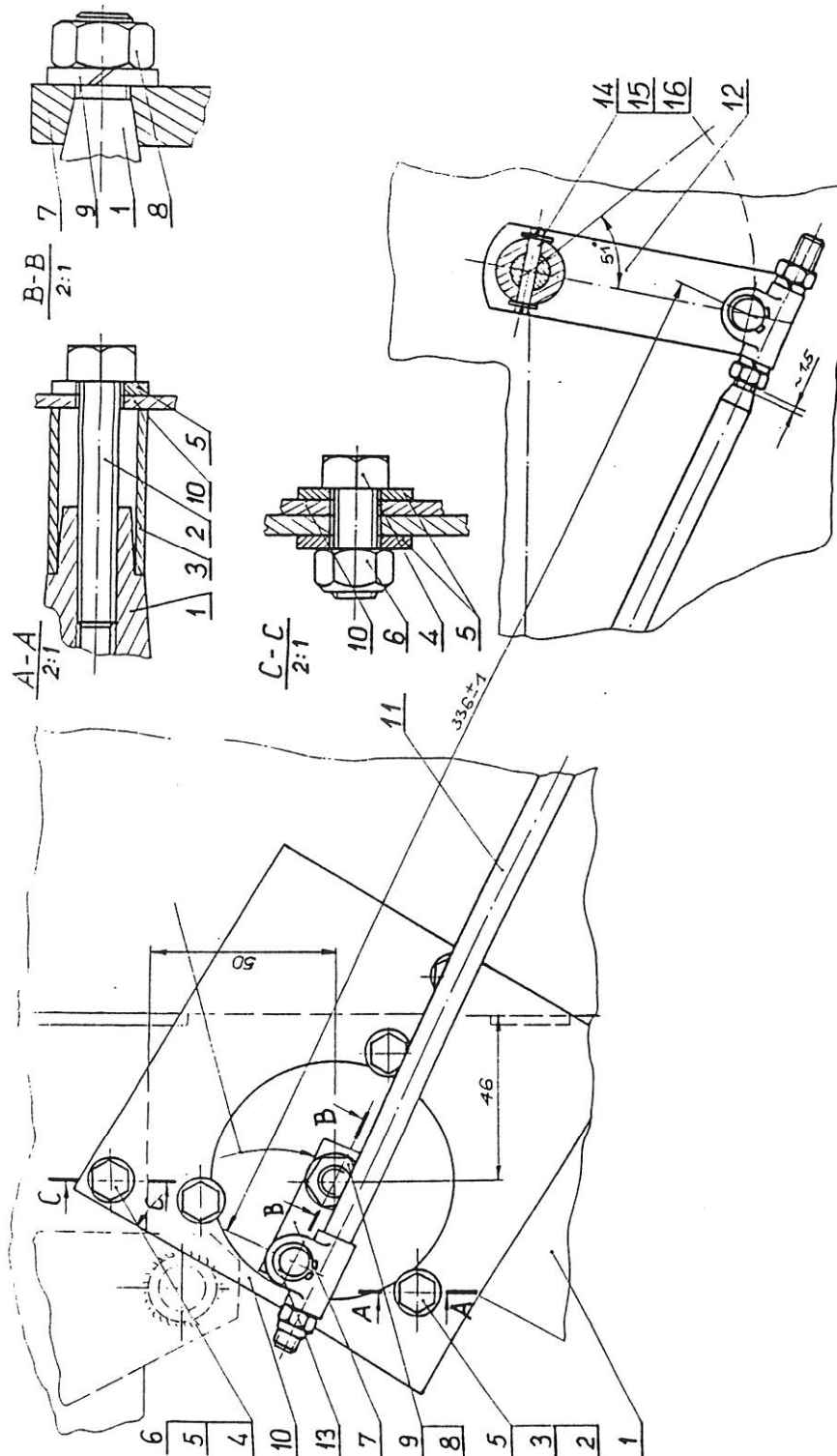
BIS WERKNR/ UP TO SER NO / JUSQU'AU NO.DE FABR 10849

POS.	BENENNUNG	TEILE-NR.	STCK
ITM.	DESCRIPTION	PART-NO.	QTY.
POS.	DESIGNATION	NO.PIECE	NBR.
1	HEBEL/ LEVER/ LEVIER/	6.373-585.0	1
2	STANGE/ BAR/ TIGE/	6.903-966.0	1
3	HEBEL/ LEVER/ LEVIER/	6.373-586.0	1
4	BLECH/ PLATE/ TOLE/	6.903-967.0	1
6	VERSTELLTEIL/ ADJUSTING KNOB/ VIS MOLET.P.REGLAGE/	6.902-063.0	1
7	FEDER/ SPRING/ RESSORT/	6.330-034.0	1
8	GRIFF D36/ HANDLE/ POIGNEE/	6.321-080.0	1
10	S-RING 8X0,8/ SPRING CLIP/ CIRCLIP/	7.343-014.0	2
12	6KT-MUTTER M 8/ HEXAGON NUT/ ECROU HEXAGONAL/	7.311-004.0	1

GRUPPE: 11.6 FILTERRUETTLER
 GROUP: 11.6 FILTER VIBRATOR
 GROUPE: 11.6 FILTRE VIBREUR

ETL KMR 1200

AB WERKMR/ FROM SER NO/ A PARTIR DU NO.DE FABR 10850



GRUPPE: 11.6 FILTERRUETTLER
 GROUP: 11.6 FILTER VIBRATOR
 GROUPE: 11.6 FILTRE VIBREUR

ETL KMR 1200

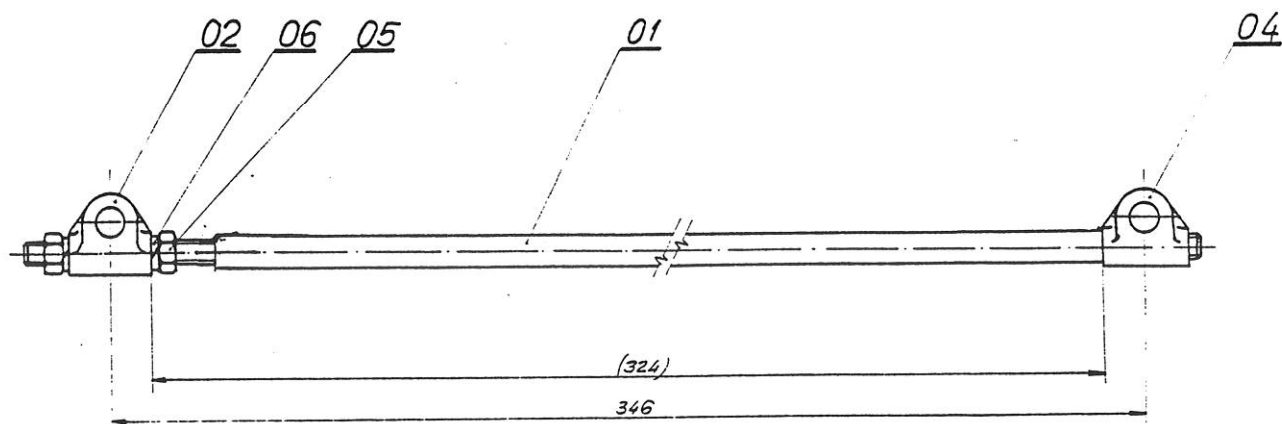
AB WERKMR/ FROM SER NO/ A PARTIR DU NO.DE FABR 10850

POS.	BENENNUNG	TEILE-NR.	STCK
ITM.	DESCRIPTION	PART-NO.	QTY.
POS.	DESIGNATION	NO.PIECE	NBR.
2	6KT-SCHR. M 6X 35/ HEXAGONAL HEAD SCREW/ VIS HEXAGONAL/	7.304-388.0	3
3	DISTANZHUELSE/ SPACER SLEEVE/ ENTRETOISE/	6.905-300.0	3
4	6KT-SCHR. M 6X 16/ HEXAGONAL HEAD SCREW/ VIS HEXAGONAL/	7.304-383.0	2
5	SCHEIBE B 6,4/ WASHER/ RONDELLE/	7.312-003.0	7
6	6KT-MUTTER M 6/ HEXAGON NUT/ ECROU HEXAGONAL/	7.311-425.0	2
7	HEBEL/ LEVER/ LEVIER/	6.905-297.0	1
8	6KT-MUTTER M 8/ HEXAGON NUT/ ECROU HEXAGONAL/	7.311-004.0	1
9	FEDERRING B 8/ SPRING WASHER/ RONDELLE GROWER/	7.313-004.0	1
10	BLECH/ PLATE/ TOLE/	6.905-299.0	1
11	GESTAENGE/ SAFETY ROD/ TRINGLES/		*01
12	HEBEL/ LEVER/ LEVIER/	6.905-298.0	1
13	S-RING 8X0,8/ SPRING CLIP/ CIRCLIP/	7.343-014.0	2
14	BOLZEN D5X28/ BOLT/ BOULON/	6.316-037.0	1
15	SCHEIBE B 5,3/ WASHER/ RONDELLE/	7.312-002.0	2
16	SPLINT 1,6X 12/ COTTER/ GOUPILLE FENDUE/	7.316-321.0	2

*01 SIEHE FILTERRUETTLER GESTAENGE
 SEE FILTER VIBRATOR SAFETY ROD
 VOIR FILTRE VIBREUR TRINGLES

GRUPPE: 11.6 FILTERRUETTLER GESTAENGE
GROUP: 11.6 FILTER VIBRATOR SAFETY ROD
GROUPE: 11.6 FILTRE VIBREUR TRINGLES

AB WERKMR/ FROM SER NO/ A PARTIR DU NO.DE FABR 10850



GRUPPE: 11.6 FILTERRUETTLER GESTAENGE
GROUP: 11.6 FILTER VIBRATOR SAFETY ROD
GROUPE: 11.6 FILTRE VIBREUR TRINGLES

AB WERKMR/ FROM SER NO/ A PARTIR DU NO.DE FABR 10850

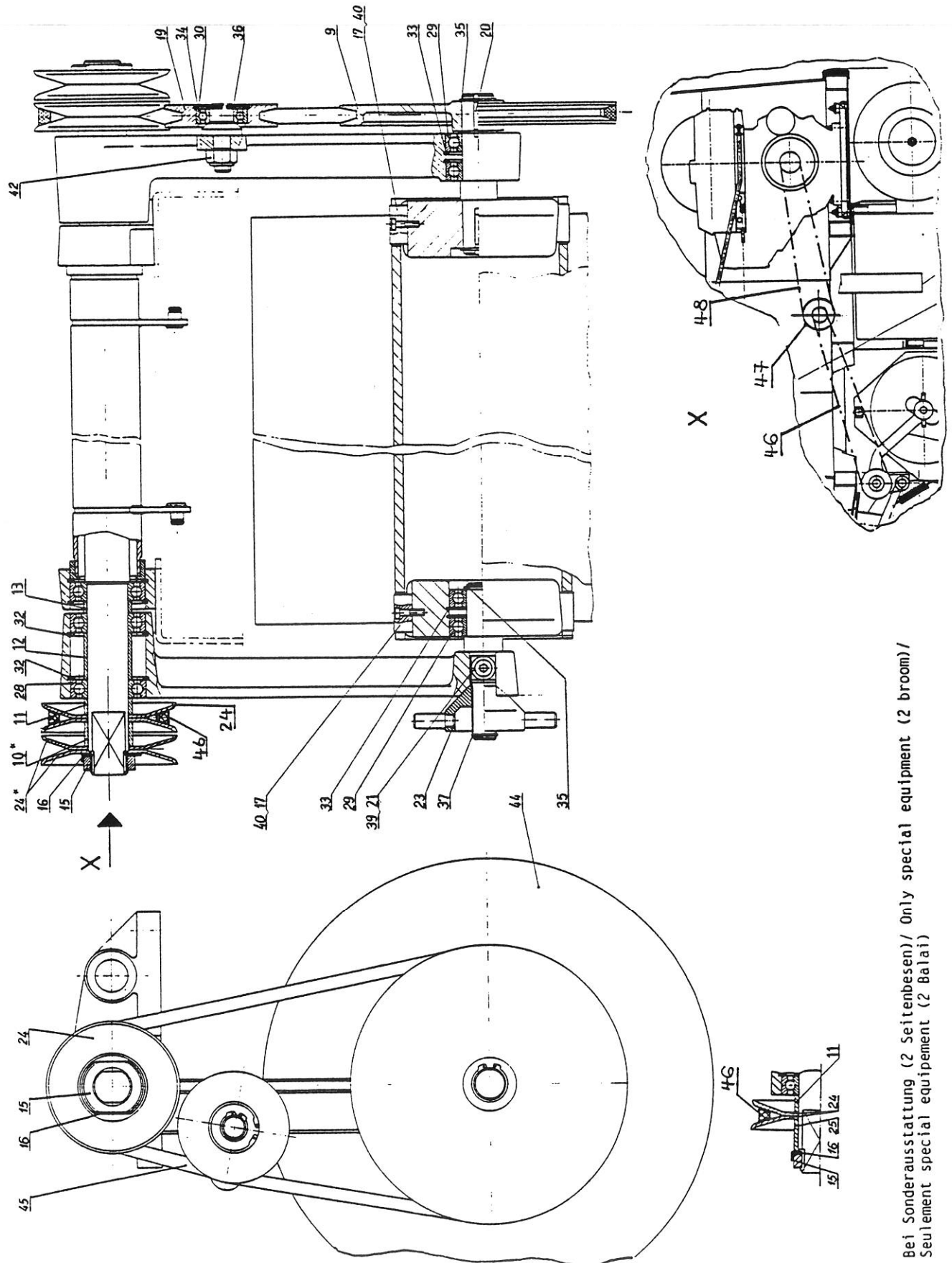
POS.	BENENNUNG	TEILE-NR.	STCK
ITM.	DESCRIPTION	PART-NO.	QTY.
POS.	DESIGNATION	NO.PIECE	NBR.
1	STANGE/ BAR/ TIGE/	6.905-296.0	1
2	HALTERUNG/ BRACKET/ FIXATION/	6.393-701.0	1
4	HALTERUNG/ BRACKET/ FIXATION/	6.905-295.0	1
5	6KT-MUTTER M 6/ HEXAGON NUT/ ECROU HEXAGONAL/	7.311-003.0	2
6	FEDERRING B 6/ SPRING WASHER/ RONDELLE GROWER/	7.313-003.0	2

GRUPPE: 12 KEHRWALZE
 GROUP: 12 SPACER
 GROUPE: 12 TAMBOUR

ETL KMR 1200

BIS WERKNR/ UP TO SER NO / JUSQU'AU NO.DE FABR

10019



* Bei Sonderausstattung (2 Seitenbesen)/ Only special equipment (2 broom)/
 Seulement special equipment (2 Balai)

GRUPPE: 12 KEHRWALZE
GROUP: 12 SPACER
GROUPE: 12 TAMBOUR

ETL KMR 1200

BIS WERKNR/ UP TO SER NO / JUSQU'AU NO.DE FABR 10019

POS.	BENENNUNG	TEILE-NR.	STCK
ITM.	DESCRIPTION	PART-NO.	QTY.
POS.	DESIGNATION	NO.PIECE	NBR.
9	RIEMENSCHLEIBE/ PULLEY/ POULIE/	6.348-215.0	1
10	HUELSE 16MM/ SLEEVE/ DOUILLE/	6.347-044.0	1 *01
11	HUELSE 10MM/ SLEEVE/ DOUILLE/	6.347-045.0	2
12	HUELSE 30MM/ SLEEVE/ DOUILLE/	6.347-046.0	2
13	HUELSE 7MM/ SLEEVE/ DOUILLE/	6.347-047.0	2
15	MUTTER/ NUT/ ECROU/	6.310-069.0	2
16	SCHEIBE/ WASHER/ RONDELLE/	6.312-042.0	2
17	PASSFEDER/ SPRING/ RESSORT D'ADJUSTAGE/	6.318-002.0	4
19	RIEMENSCHLEIBE/ PULLEY/ POULIE/	6.348-216.0	1
20	PASSFEDER 5X 5X 18/ SPRING/ RESSORT D'ADJUSTAGE/	7.318-003.0	2
21	HUELSE/ SLEEVE/ DOUILLE/	6.347-048.0	1
23	MUTTER/ NUT/ ECROU/	6.310-070.0	1
24	RIEMENSCHLEIBENHAEL./ PULLEY-HALF/ DEMI-POULIE/	6.348-217.0	6
25	HUELSE 4,5MM/ SLEEVE/ DOUILLE/	6.347-049.0	1
28	KUGELLAGER 6005-2RS/ BALL BEARING/ ROULEMENT A BILLE/	7.401-110.0	6
29	KUGELLAGER 6004-2RS/ BALL BEARING/ ROULEMENT A BILLE/	7.401-133.0	4
30	KUGELLAGER 6002-2RS/ BALL BEARING/ ROULEMENT A BILLE/	7.401-115.0	1
32	S-RING 47X1,75/ SPRING CLIP/ CIRCLIP/	7.343-115.0	8
33	S-RING 42X1,75/ SPRING CLIP/ CIRCLIP/	7.343-114.0	4
34	S-RING 32X1,2/ SPRING CLIP/ CIRCLIP/	7.343-231.0	1
35	S-RING 20X1,2/ SPRING CLIP/ CIRCLIP/	7.343-007.0	1
36	S-RING 15X1/ SPRING CLIP/ CIRCLIP/	7.343-004.0	1
37	S-RING 14X1/ SPRING CLIP/ CIRCLIP/	7.343-031.0	1

GRUPPE: 12 KEHRWALZE
 GROUP: 12 SPACER
 GROUPE: 12 TAMBOUR

ETL KMR 1200

BIS WERKNR/ UP TO SER NO / JUSQU'AU NO.DE FABR 10019

POS.	BENENNUNG	TEILE-NR.	STCK
ITM.	DESCRIPTION	PART-NO.	QTY.
POS.	DESIGNATION	NO.PIECE	NBR.
39	ZYL.SCHR. M 6X 12/ CHEESE HEAD SCREW/ VIS A TETE CYLINDR./	7.306-500.0	1
40	ZYL.SCHR. M 3X 16/ CHEESE HEAD SCREW/ VIS A TETE CYLINDR./	7.306-406.0	2
42	6KT-MUTTER M10X1,25/ HEXAGON NUT/ ECROU HEXAGONAL/	7.311-436.0	1
44	KEHRWALZE INNEN/ SPACER/ TAMBOUR/	6.903-379.0	1 *02
44	KEHRWALZE HART/ SPACER/ TAMBOUR/	6.903-397.0	1 *03
44	KEHRWALZE MITTEL/ SPACER/ TAMBOUR/	6.903-398.0	1 *04
45	S-K-RIEMEN XPZ 862/ V-BELT/ COURROIE TRAPEZOID/	7.348-228.0	1
46	S-K-RIEMEN XPZ 1700/ V-BELT/ COURROIE TRAPEZOID/	7.348-226.0	1
47	RIEMENSCHIEBE/ PULLEY/ POULIE/	6.348-222.0	1
48	S-K-RIEMEN XPZ 562/ V-BELT/ COURROIE TRAPEZOID/	7.348-227.0	1

*01 BEI SONDERAUSSTATTUNG (2 SEITENBESEN)
 ONLY SPECIAL EQUIPMENT (2 BROOM)
 SEULEMENT SPECIAL EQUIPMENT (2 BALAI)

*02 INNEN
 INSIDE
 DEDANS

*03 HART
 HARD
 DUR

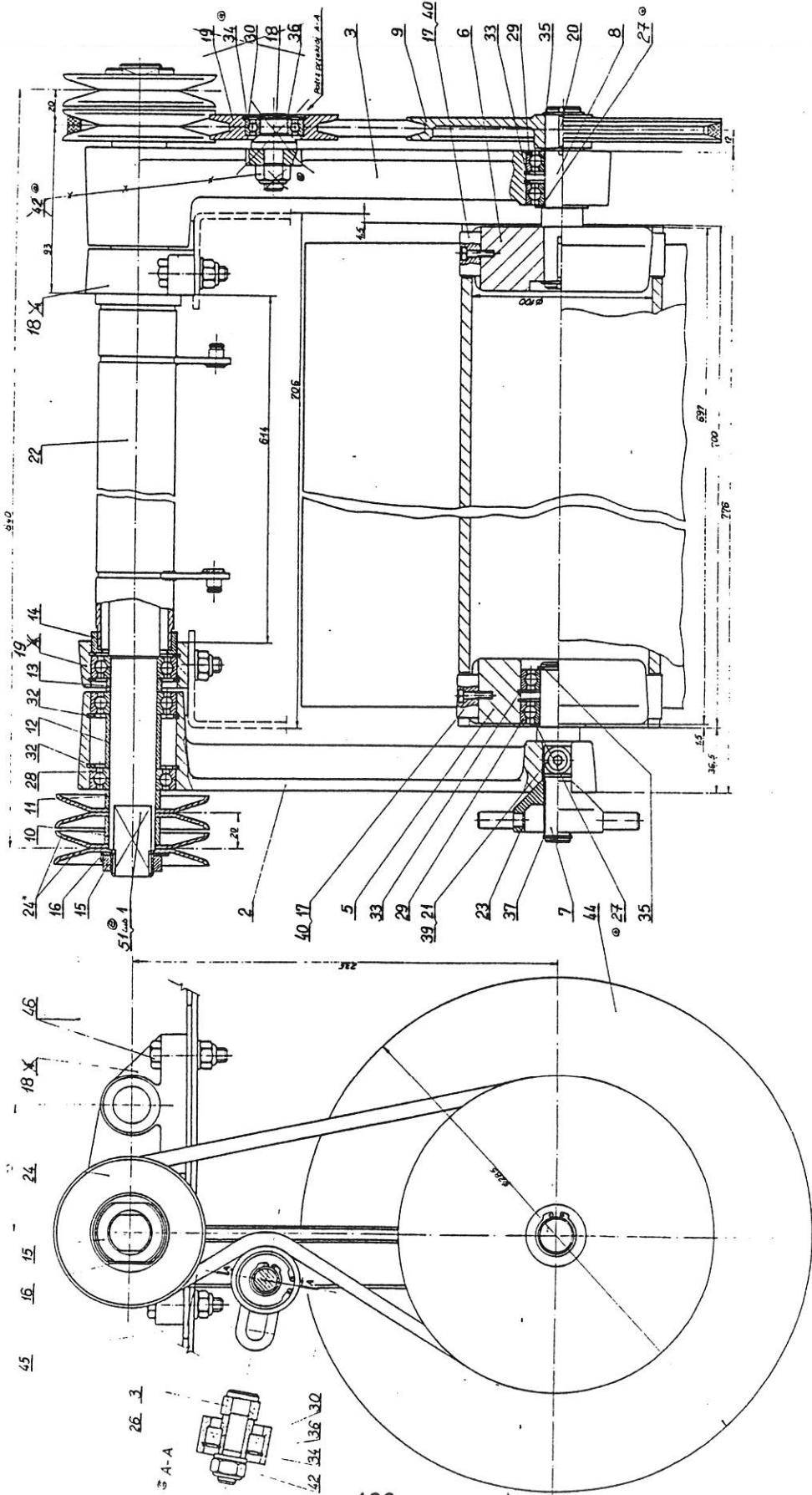
*04 MITTEL
 MEDIUM HARD
 MOYEN DUR

GRUPPE: 12 KEHRWALZE
 GROUP: 12 SPACER
 GROUPE: 12 TAMBOUR

ETL KMR 1200

AB WERKNR/ FROM SER NO/ A PARTIR DU NO.DE FABR

10020



GRUPPE: 12 KEHRWALZE
GROUP: 12 SPACER
GROUPE: 12 TAMBOUR

ETL KMR 1200

AB WERKNR/ FROM SER NO/ A PARTIR DU NO.DE FABR 10020

POS.	BENENNUNG	TEILE-NR.	STCK
ITM.	DESCRIPTION	PART-NO.	QTY.
POS.	DESIGNATION	NO. PIECE	NBR.
2	SCHWINGE/ LEVER/ AICE/	6.905-034.0	1
3	SCHWINGE/ LEVER/ AICE/	6.905-035.0	1
9	RIEMENSCHLEIBE/ PULLEY/ POULIE/	6.348-215.0	1
10	HUELSE 16MM/ SLEEVE/ DOUILLE/	6.347-044.0	1 *01
11	HUELSE 10MM/ SLEEVE/ DOUILLE/	6.347-045.0	2
12	HUELSE 30MM/ SLEEVE/ DOUILLE/	6.347-046.0	2
13	HUELSE 7MM/ SLEEVE/ DOUILLE/	6.347-047.0	2
15	MUTTER/ NUT/ ECROU/	6.310-069.0	2
16	SCHEIBE/ WASHER/ RONDELLE/	6.312-042.0	2
17	PASSFEDER/ SPRING/ RESSORT D'ADJUSTAGE/	6.318-002.0	4
20	PASSFEDER 5X 5X 18/ SPRING/ RESSORT D'ADJUSTAGE/	7.318-003.0	2
21	HUELSE/ SLEEVE/ DOUILLE/	6.347-048.0	1
23	MUTTER/ NUT/ ECROU/	6.310-070.0	1
24	RIEMENSCHLEIBENHAEL./ PULLEY-HALF/ DEMI-POULIE/	6.348-217.0	6
25	HUELSE 4,5MM/ SLEEVE/ DOUILLE/	6.347-049.0	1
28	KUGELLAGER 6005-2RS/ BALL BEARING/ ROULEMENT A BILLE/	7.401-110.0	6
29	KUGELLAGER 6004-2RS/ BALL BEARING/ ROULEMENT A BILLE/	7.401-133.0	4
30	KUGELLAGER 6002-2RS/ BALL BEARING/ ROULEMENT A BILLE/	7.401-115.0	1
32	S-RING 47X1,75/ SPRING CLIP/ CIRCLIP/	7.343-115.0	8
33	S-RING 42X1,75/ SPRING CLIP/ CIRCLIP/	7.343-114.0	4
34	S-RING 32X1,2/ SPRING CLIP/ CIRCLIP/	7.343-231.0	1
35	S-RING 20X1,2/ SPRING CLIP/ CIRCLIP/	7.343-007.0	4
36	S-RING 15X1/ SPRING CLIP/ CIRCLIP/	7.343-004.0	1

GRUPPE: 12 KEHRWALZE
 GROUP: 12 SPACER
 GROUPE: 12 TAMBOUR

ETL KMR 1200

AB WERKNR/ FROM SER NO/ A PARTIR DU NO.DE FABR 10020

POS.	BENENNUNG	TEILE-NR.	STCK
ITM.	DESCRIPTION	PART-NO.	QTY.
POS.	DESIGNATION	NO. PIECE	NBR.
37	S-RING 14X1/ SPRING CLIP/ CIRCLIP/	7.343-031.0	1
39	ZYL.SCHR. M 6X 12/ CHEESE HEAD SCREW/ VIS A TETE CYLINDR./	7.306-500.0	1
40	ZYL.SCHR. M 3X 16/ CHEESE HEAD SCREW/ VIS A TETE CYLINDR./	7.306-406.0	4
42	6KT-MUTTER M10X1,25/ HEXAGON NUT/ ECROU HEXAGONAL/	7.311-436.0	1
44	KEHRWALZE INNEN/ SPACER/ TAMBOUR/	6.903-379.0	1 *02
44	KEHRWALZE HART/ SPACER/ TAMBOUR/	6.903-397.0	1 *03
44	KEHRWALZE MITTEL/ SPACER/ TAMBOUR/	6.903-398.0	1 *04
44	KEHRWALZE WEICH/ SPACER/ TAMBOUR/	6.903-409.0	1 *05
45	S-K-RIEMEN XPZ 862/ V-BELT/ COURROIE TRAPEZOID/	7.348-228.0	1
51	S-K-RIEMEN XPZ 1700/ V-BELT/ COURROIE TRAPEZOID/	7.348-226.0	1
52	RIEMENSCHIEBE/ PULLEY/ POULIE/	6.348-222.0	1
53	S-K-RIEMEN XPZ 562/ V-BELT/ COURROIE TRAPEZOID/	7.348-227.0	1

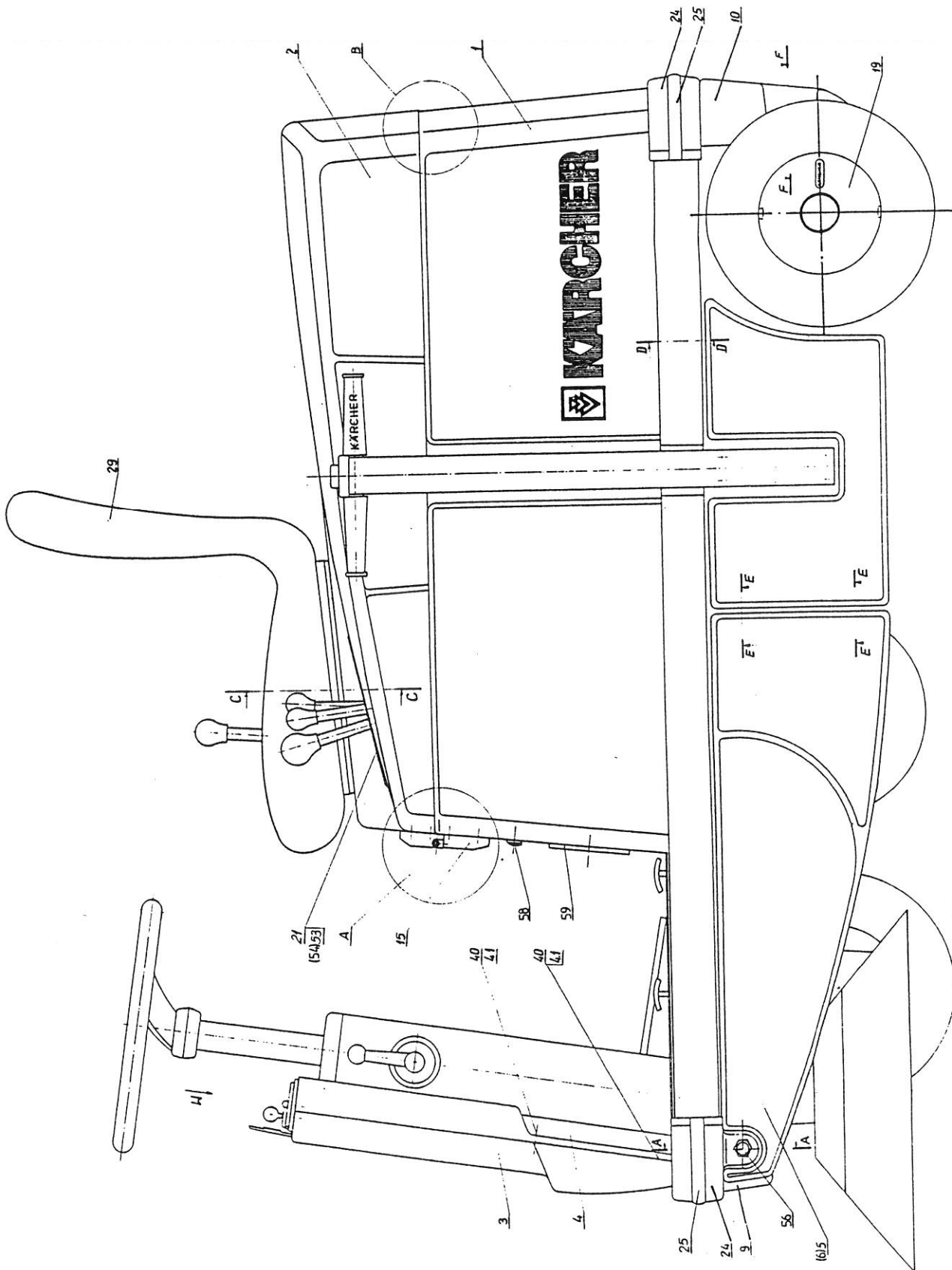
*01 BEI SONDERAUSSTATTUNG (2 SEITENBESEN)
 ONLY SPECIAL EQUIPMENT (2 BROOM)
 SEULEMENT SPECIAL EQUIPMENT (2 BALAI)

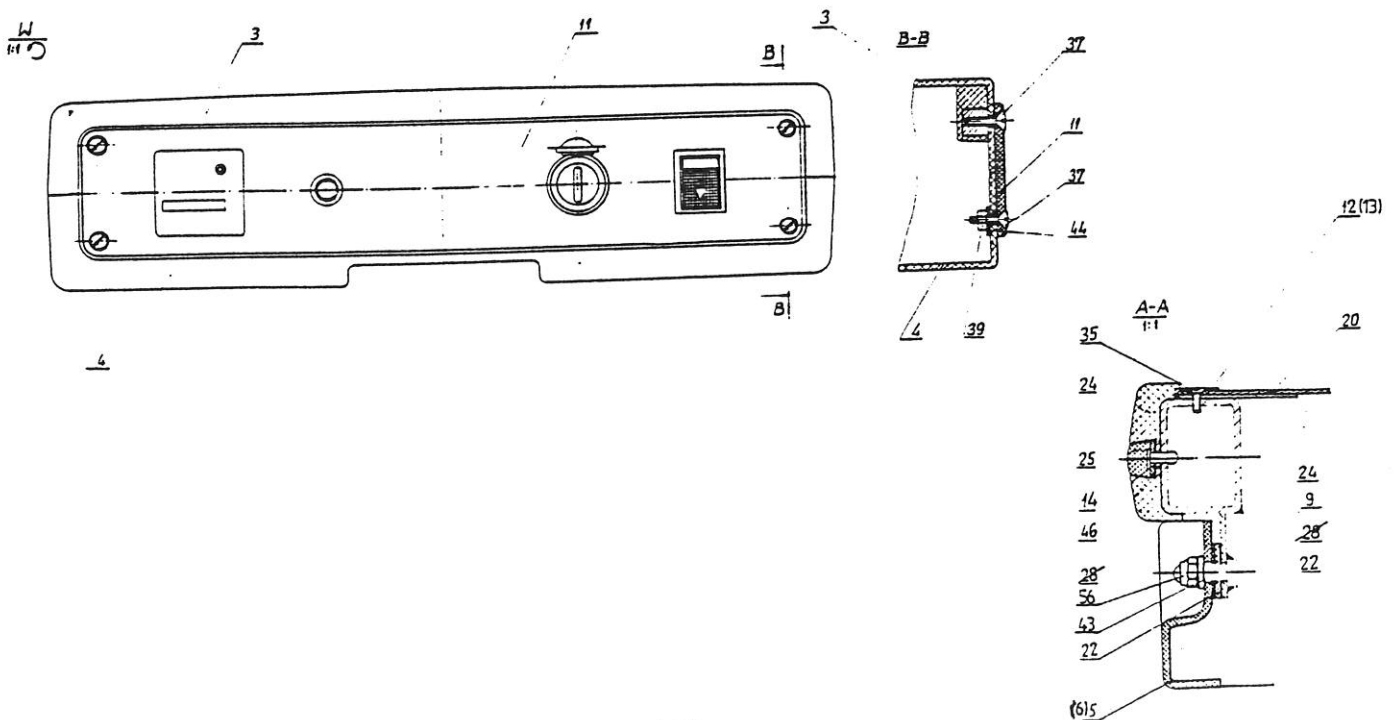
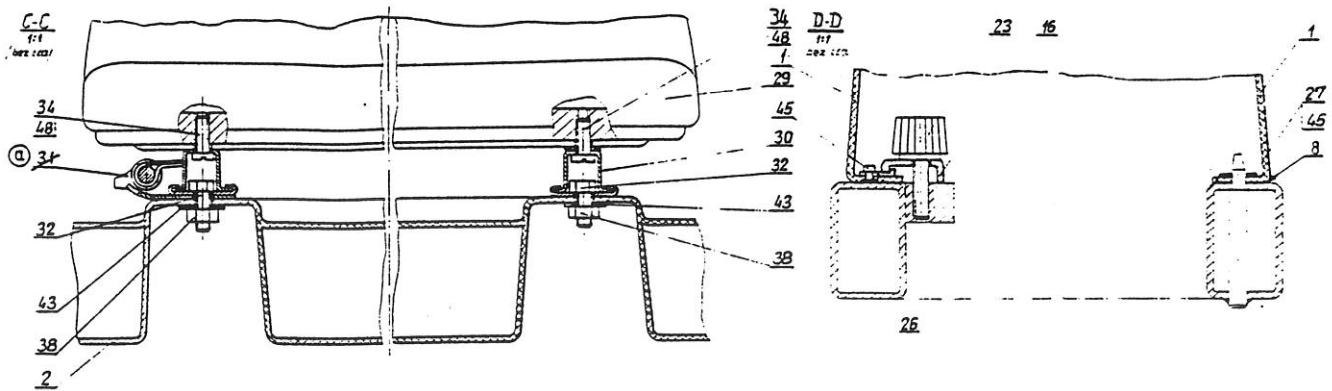
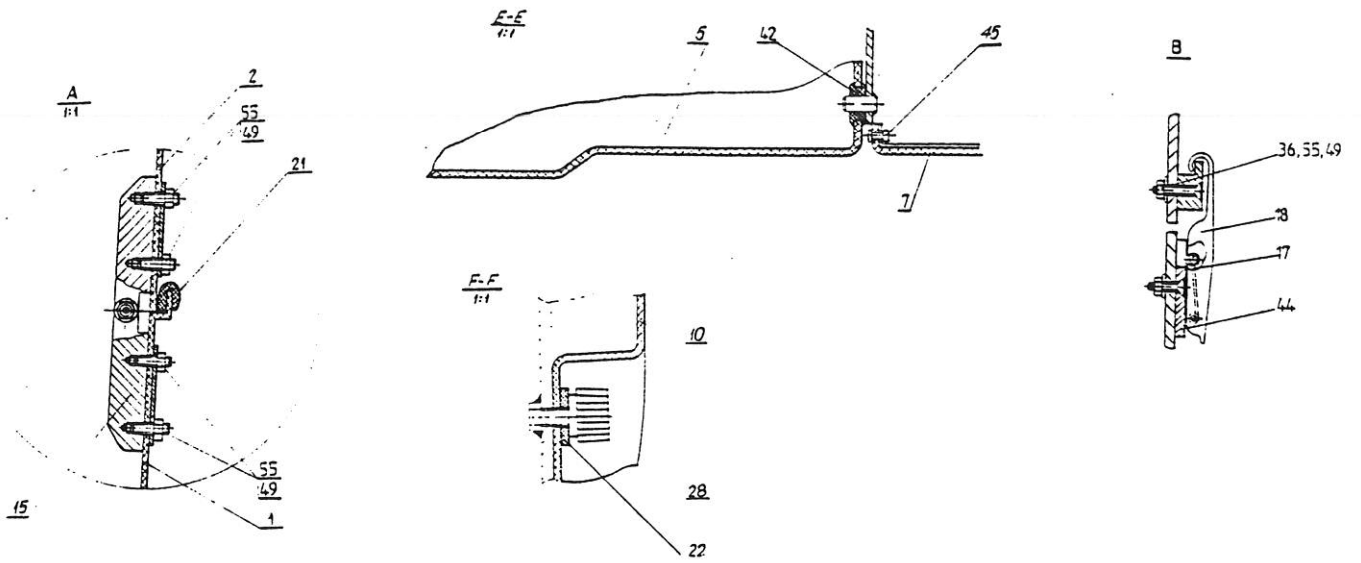
*02 INNEN
 INSIDE
 DEDANS

*03 HART
 HARD
 DUR

*04 MITTEL
 MEDIUM HARD
 MOYEN DUR

*05 WEICH
 SOFT
 MOU





GRUPPE: 13 AUFBAU
GROUP: 13 CONSTRUCTION
GROUPE: 13 CONSTRUCTION

ETL KMR 1200

POS.	BENENNUNG	TEILE-NR.	STCK	
ITM.	DESCRIPTION	PART-NO.	QTY.	
POS.	DESIGNATION	NO. PIECE	NBR.	
1	HAUBE/ COVER/ CAPOT/	4.066-174.0	1	
3	VERKLEIDUNG/ COVER/ CARROSSAGE/	4.500-076.0	1	
5	SEITENSCHUERZE LI./ SIDE PART/ PARTIE LATERAL/	6.368-151.0	1	*01
6	SEITENSCHUERZE RE./ SIDE PART/ PARTIE LATERAL/	6.368-152.0	1	*02
7	UE-MUTTER 8-L/ UNION NUT/ ECROU RACOURD/	6.386-164.0	1	
8	SCHAUMBAND PE 25X3/ STRAP/ ATTACHE/	6.273-110.0	5	
9	SCHUERZE FRONT-/ APRON/ TABLIER/	6.368-154.0	1	
10	HECKSCHUERZE/ CURTON/ TABLIER/	6.368-155.0	1	
12	LEISTE LINKS/ STRIP/ BAGUETTE/	6.368-156.0	1	*01
13	LEISTE RECHTS/ STRIP/ BAGUETTE/	6.368-157.0	1	*02
14	LEISTE/ STRIP/ BAGUETTE/	6.903-500.0	2	
15	SCHARNIER/ HINGE/ CHARNIERE/	6.372-060.0	2	
16	BUEGEL/ STRAP/ ETRIER/	6.903-503.0	5	
17	VERSCHLUSSHAKEN/ LOCK (HOOK)/ FERMETURE (CROCHET)/	6.903-292.0	2	
18	VERSCHLUSSGELENK/ LOCK HINGE/ CHARNIERE (FERMETURE)/	6.903-294.0	2	
19	RADKAPPE/ WHEEL CAB/ ENJOLIVEUR/	6.435-184.0	2	
20	GUMMIBODEN/ BOTTOM (RUBBER)/ FOND (CAOUTCHOUC)/	6.903-449.0	1	
21	PROFILDICHTUNG/ SEAL/ ETOUPE PROFILE/	6.903-446.0	5	
22	GUMMISCHEIBE/ RUBBER DISC/ DISQUE CAOUTCHOUC/	6.903-450.0	5	
23	HANDSCHRAUBE M 8X30/ HAND SCREW/ CRIC A MAIN/	6.304-064.0	5	
24	PROFILGUMMI/ RUBBER PIECE/ CAOUTCHOUC PROF.	6.368-158.0	2	
25	PROFILGUMMI/ RUBBER PIECE/ CAOUTCHOUC PROF.	6.273-109.0	2	
28	HANDMUTTER M 8/ NUT/ ECROU/	6.310-066.0	2	

GRUPPE: 13 AUFBAU
 GROUP: 13 CONSTRUCTION
 GROUPE: 13 CONSTRUCTION

ETL KMR 1200

POS.	BENENNUNG	TEILE-NR.	STCK
ITM.	DESCRIPTION	PART-NO.	QTY.
POS.	DESIGNATION	NO.PIECE	NBR.
29	SITZSCHALE/ SEAT/ SIEGE/	6.393-696.0	1
30	SCHIENE RE + LI/ RAIL/ RAIL/	6.903-447.0	1 *03
32	6KT-SCHR. M 8X 30/ HEXAGONAL HEAD SCREW/ VIS HEXAGONAL/	7.304-400.0	4
34	ZYL.SCHR. M 8X 20/ CHEESE HEAD SCREW/ VIS A TETE CYLINDR./	7.306-144.0	4
35	SENKSCHR. M 8X 20/ FLAT HEADED SCREW/ VIS A TETE CONIQUE/	7.305-076.0	6
36	SENKSCHR. M 5X 20/ FLAT HEADED SCREW/ VIS A TETE CONIQUE/	7.305-045.0	8
37	SENKSCHR. M 4X 16/ FLAT HEADED SCREW/ VIS A TETE CONIQUE/	7.305-023.0	4
38	6KT-MUTTER M 8/ HEXAGON NUT/ ECROU HEXAGONAL/	7.311-427.0	5
39	6KT-MUTTER M 4/ HEXAGON NUT/ ECROU HEXAGONAL/	7.311-001.0	2
40	SENKSCHR. M 4X 20/ FLAT HEADED SCREW/ VIS A TETE CONIQUE/	7.305-026.0	4
41	SCHEIBE A 4,3/ WASHER/ RONDELLE/	7.312-001.0	8
42	DURCHFUEHR.TUELLE/ BUSH/ DOUILLE DE TRAVERSEE/	6.641-402.0	5
43	SCHEIBE B 8,4/ WASHER/ RONDELLE/	7.312-004.0	4
44	VERSCHLUSSHALTER/ LOCK (SUPPORT)/ FERMETURE (MONTANT)/	6.903-373.0	2
45	NIET 4,0X 16/ RIVET/ RIVET/	7.315-023.0	28
46	BLINDNIET 5X16/ RIVET/ RIVET AVEUGLE/	6.315-061.0	14
48	FEDERRING B 8/ SPRING WASHER/ RONDELLE GROWER/	7.313-004.0	4
49	SCHEIBE B 5,3/ WASHER/ RONDELLE/	7.312-002.0	16
53	GUMMIABDECKUNG LI/ RUBBER COVER/ REVETEMENT CAOUTCH./	6.368-159.0	2
54	GUMMIABDECKUNG RE./ RUBBER COVER/ REVETEMENT CAOUTCH./	6.368-163.0	1

GRUPPE: 13 AUFBAU
GROUP: 13 CONSTRUCTION
GROUPE: 13 CONSTRUCTION

ETL KMR 1200

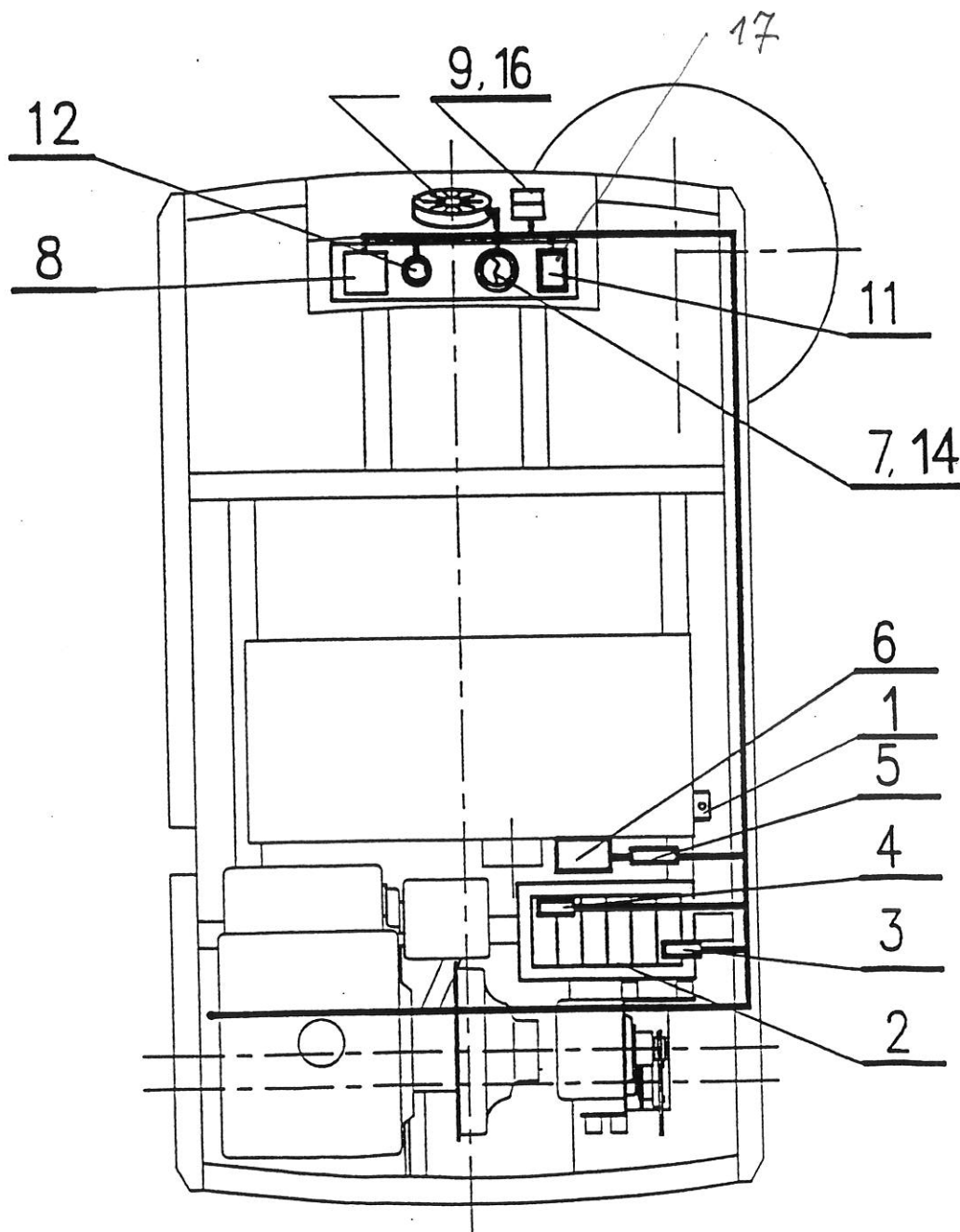
POS. BENENNUNG	TEILE-NR.	STCK	
ITM. DESCRIPTION	PART-NO.	QTY.	
POS. DESIGNATION	NO. PIECE	NBR.	
55 6KT-MUTTER M 5/ HEXAGON NUT/ ECROU HEXAGONAL/	7.311-002.0	16	
58 ABDECKKAPPE/ CAP/ CHAPE/	6.368-181.0	4	*04
58 STOSSDAEMPFER/ SHOCK ABSORBER/ AMORTISSEUR/	6.437-380.0	4	*04
59 ABDECKKAPPE/ CAP/ CHAPE/	6.368-182.0	1	*04

*01 LINKS
LEFT
GAUCHE

*02 RECHTS
RIGHT
DROIT

*03 LINKS, RECHTS
LEFT, RIGHT
GAUCHE, DROIT

*04 AB WERKNR. 10020
FROM SERIAL NO. 10020
A PARTIR DU NUMERO DE FABRICATION 10020



GRUPPE: 14 ELECTROINSTALLATION
GROUP: 14 ELECTRIC INSTALATION
GROUPE: 14 INSTALLATION ELECTRIQUE

ETL KMR 1200

POS. BENENNUNG ITM. DESCRIPTION POS. DESIGNATION	TEILE-NR. PART-NO. NO. PIECE	STCK QTY. NBR.
1 MIKROSCHALTER/ MICRO SWITCH/ MICRORUPTEUR/	6.631-642.0	1
2 BATTERIE 36AH 12V/ BATTERY/ BATTERIE/	6.654-026.0	1
3 POLABDECKUNG +/- POLE COVER/ COUVERCLE DU POLE/	6.647-008.0	1
4 POLABDECKUNG -/ POLE COVER/ COUVERCLE DU POLE/	6.647-007.0	1
5 SCHMELZEINSATZ 8A/ CARTRIDGE/ BOUCHON FUSIBLE/	6.644-001.0	1
6 STARTRELAIS/ RELAY/ RELAIS/	6.632-065.0	1
7 ZUENDSCHLOSS/ IGNITION LOCK/ SERRURE DE CONTACT/	6.375-130.0	1
8 BETRIEBSSTUNDENZAEL./ HOUR METRE/ COMPTEUR HORRAIRE/	6.681-053.0	1
9 RELAIS 30A/12V/ RELAY/ RELAIS/	6.633-216.0	1
10 SIGNALHORN 12V/ HORN/ KLAXON/	6.424-006.0	1
11 WIPPSCHALTER/ ROCKER SWITCH/ COMMUTAT. A BASCULE/	6.631-630.0	1
12 KONTROLLAMPE/ PILOT LAMP/ LAMPE TEMOIN/	6.491-258.0	1
14 KLAPPDECKEL/ HINGED COVER/ COUVERCLE A RESSORT/	6.631-612.0	1
16 STECKSOCKEL/ CLIP IN BASE/ SOCLE DE BRANCHEM./	6.644-129.0	1

17 Tastschalter Rüttler
Elektronik Rüttler

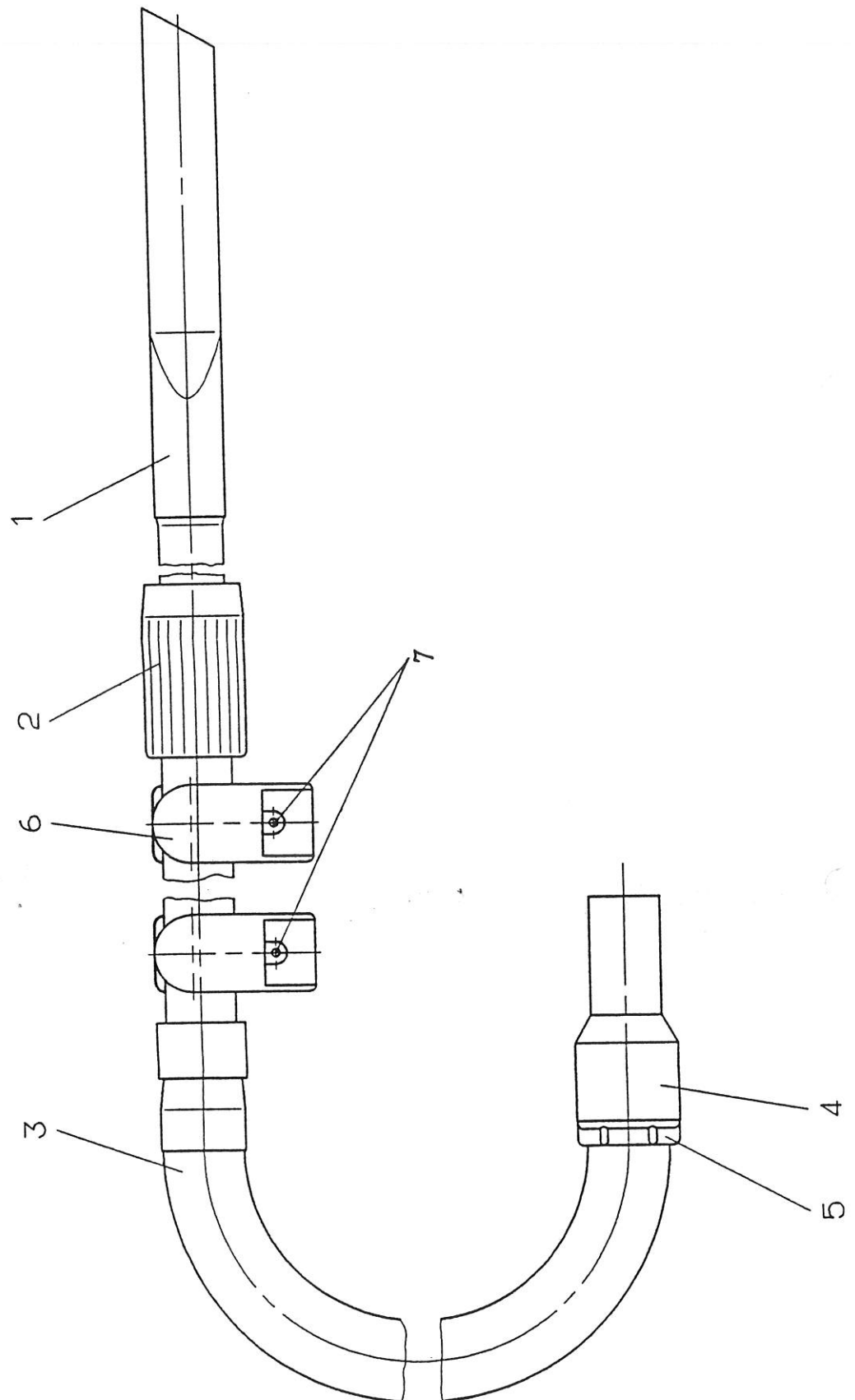
6.631-844 - 1
6-682-286

GRUPPE: 15 SAUGEINRICHTUNG
GROUP: 15 SUCTION PART
GROUPE: 15 INSTALLATION D'ASPIRATION

ETL KMR 1200

BIS WERKNR/ UP TO SER NO / JUSQU'AU NO.DE FABR

10019

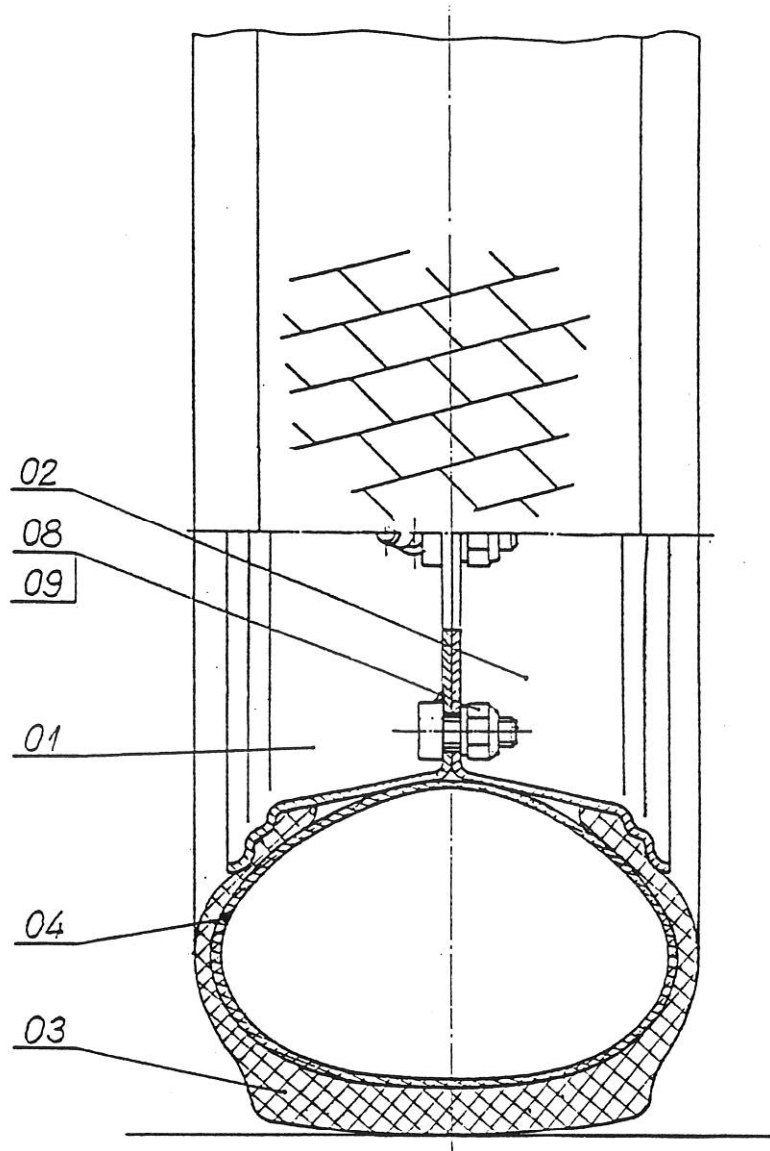


GRUPPE: 15 SAUGEINRICHTUNG
GROUP: 15 SUCTION PART
GROUPE: 15 INSTALLATION D'ASPIRATION

ETL KMR 1200

BIS WERKNR/ UP TO SER NO / JUSQU'AU NO.DE FABR 10019

POS. BENENNUNG ITM. DESCRIPTION POS. DESIGNATION	TEILE-NR. PART-NO. NO.PIECE	STCK QTY. NBR.
1 FUGENDUESE DN 35/ CREVICE TOOL/ SUCEUR POUR FENTES/	6.900-385.0	1
2 TELESKOPSAUGROHR/ TELESCOPIC SUCTION TUBE/ TUYAU D'ASPIR. TELESCOP./	6.903-430.0	1
3 DEHNSCHLAUCH DN34/ HOSE/ TUYAU FLEXIBLE/	6.389-175.0	1
4 MUFFE NW35/ BUSHING/ MANCHON/	6.902-030.0	1
5 GEWINDERING NW32/ RING FOLLOWER/ BAGUE FILETEE/	6.902-031.0	1
6 HALTER/ BRACKET/ FIXATION/	5.042-545.0	2
7 LINSENSCHR. 4,8X 16/ OVAL HEAD SCREW/ VIS A TETE BOMBEE/	6.303-054.0	4



GRUPPE: 16 EINZELTEILE RAD
GROUP: 16 PIECE PARTS
GROUPE: 16 PIECES CONSTITUANTES

ETL KMR 1200

POS. BENENNUNG ITM. DESCRIPTION POS. DESIGNATION	TEILE-NR. PART-NO. NO. PIECE	STCK QTY. NBR.	
1 FELGENHAELFTEN/ WHEEL RIM HALVES/ JANTES DEMI/	6.437-390.0	1	
2 FELGENHAELFTE/ WHEEL RIM HALF/ JANTE DEMI/	6.437-391.0	1	*01
3 REIFEN 140-6/T-539/ TIRE/ PNEUS/	6.435-162.0	1	
4 LUFTSCHLAUCH/ AIR HOSE/ TUYAU FLEXIBLE A AIR/	6.435-163.0	1	
8 6KT-MUTTER M 8/ HEXAGON NUT/ ECROU HEXAGONAL/	7.311-427.0	4	
9 SCHEIBE B 8,4/ WASHER/ RONDELLE/	7.312-004.0	4	*01
9 FEDERRING B 8/ SPRING WASHER/ RONDELLE GROWER/	7.313-004.0	4	*02

*01 BIS WERKNR. 8243
UP TO SERIAL NO. 8243
JUSQU'AU NUMERO DE FABRICATION 8243

*02 AB WERKNR. 8283
FROM SERIAL NO. 8283
A PARTIR DU NUMERO DE FABRICATION 8283

(A) Österreich Austria

Alfred Kärcher Ges.m.b.H. ☎ (0222)251545
 Obachgasse 26 Fax: (0222)2154530
 A-1220 Wien 22

(AUS) Australien Australia

Kärcher (Pty.) Ltd. ☎ (03)7954422
 2/158 Browns Road Fax: (03)7010001
 Noble Park 3174
 Melbourne, Vict.

(B) Belgien Belgium

Kärcher Benelux ☎ (03)3400711
 Industrieweg 18 Fax: (03)3146443
 2320 Hoogstraten

(L) Luxemburg Luxembourg**(BR) Brasilien Brazil**

Kärcher ☎ (0192)391515
 Indústria e Comércio Ltda. Fax: (0192)392110
 Estr. Mun. Campinas
 Paulínia. 2000
 Betel
 13082 Campinas - SP

(CDN) Kanada Canada

Kärcher Cleaning Systems Inc. ☎ (416)6728233
 1770 Alstep Drive Fax: (416)6723155
 Mississauga, Ontario L5S 1W1

(CH) Schweiz Switzerland

Kärcher Vaporapid AG ☎ (01)8466711
 Industriestr. 16 Fax: (01)8466712
 CH-8108 Dällikon

(D) Bundesrepublik Deutschland Federal Republic of Germany

Alfred Kärcher GmbH & Co. ☎ (07195)14-1
 Vertrieb Deutschland Fax: (07195)14-2805
 Friedrich-List-Straße 4
 D-71364 WINNENDEN

(DK) Dänemark Denmark

Kärcher AB ☎ (65)916767
 Hestehaven 21 Fax: (65)911104
 DK-5260 Odense S

(E) Spanien Spain

Kärcher S.A. ☎ (93)8464447
 Pol. Industrial Font del Radium Fax: (93)8465505
 Calle Doctor Trueta 6-7
 E-08400 Granollers (Barcelona)

(F) Frankreich France

Kärcher S.A. ☎ (1)43996770
 Z.A. des Petits Carreaux Fax: (1)43394873
 5, avenue des Coquelicots
 F-94865 Bonneuil s. Marne/CEDEX

(GB) Großbritannien Great Britain

Kärcher (U.K.) Ltd. ☎ (0295)267511
 Kärcher House Fax: (0295)266436
 Beaumont Road
 Banbury Oxon, OX 16 7TB

(GR) Griechenland Greece

Kärcher S.A. ☎ (00301)2441312
 Cleaning Systems Fax: (00301)2463132
 99 Aristotelous & Ioanninon
 GR-136 71 Aharnes

(HK) Hongkong Hong Kong

Kärcher Ltd. ☎ (00852)357-5863
 Unit 11. 10/FL. Hewlett Centre Fax: (00852)357-5632
 52-54 Hoi Yuen Road,
 Kwun Tong, Kowloon

(I) Italien Italy

Kärcher S.p.A. ☎ (0332)417400
 Via Elvezia 4 + 417419
 I-21050 Cantello (VA) Fax: (0332)418350

(J) Japan Japan

Kärcher Cleaning Systems Co., Ltd. ☎ (03)3235-8331
 9-21, Shin Ogawa-cho Fax: (03)3235-8307
 Shinjuku-ku, Tokyo 162

(N) Norwegen Norway

Kärcher A/S ☎ (0047)2-232080
 Gjerdrumsvei 4 Fax: (0047)2-233360
 Postboks 94, Grefsen
 N-0409 Oslo

(NL) Niederlande Netherlands

Kärcher Benelux ☎ (09)32/3/3400811
 Industrieweg 18 Fax: (09)32/3/3400800
 2320 Hoogstraten

(S) Schweden Sweden

Kärcher AB ☎ (031)570380
 Box 24 Fax: (031)575
 S-42502 Hisings-Kärä

(P) Portugal

Neoparts ☎ (01)3950040
 Comércio e Indústria Automóvel, Lda. (18 linhas)
 Largo Vitorino Damásio. 10 Fax: (01)3970549
 1200 Lisboa

(SF) Finnland Finland

Kärcher Oy ☎ (90)8799177
 Yrittäjätie 17 Fax: (90)8794203
 SF-01800 Klaukkala

(USA) USA

Alfred Kärcher Inc. ☎ (001)908-3561199
 P.O. Box 6510 Fax: (001)908-3564151
 1600 Cottontail Lane
 Somerset, NJ 08875

(ZA) Südafrika South Africa

Kärcher (Pty.) Ltd. ☎ (011)9763100
 P.O. Box 2417 Fax: (011)9762244
 Kempton Park 1620