



A 1

NT 501 eco K

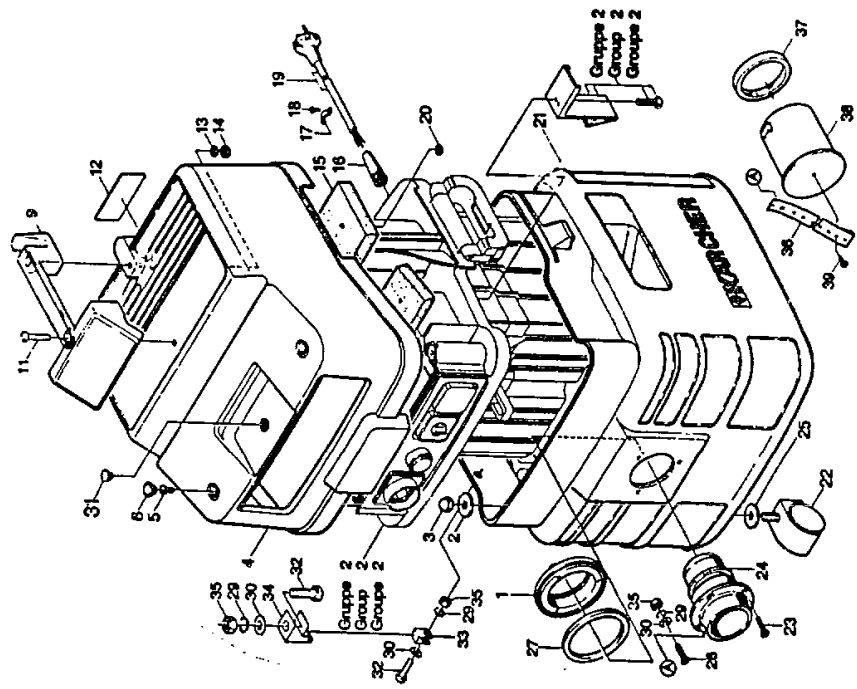
Gruppe 1: Gehäuse – Außenteile
Group 1: Housing – outer parts
Groupe 1: Parties extérieures de corps

GRUPPE: 1 GEHAUSE-AUSSENTEILE
 GROUP: 1 HOUSING-OUTER PARTS
 GROUPE: 1 PARTIES EXTERIEURES DE CORPS

B1

NT 501 eco K

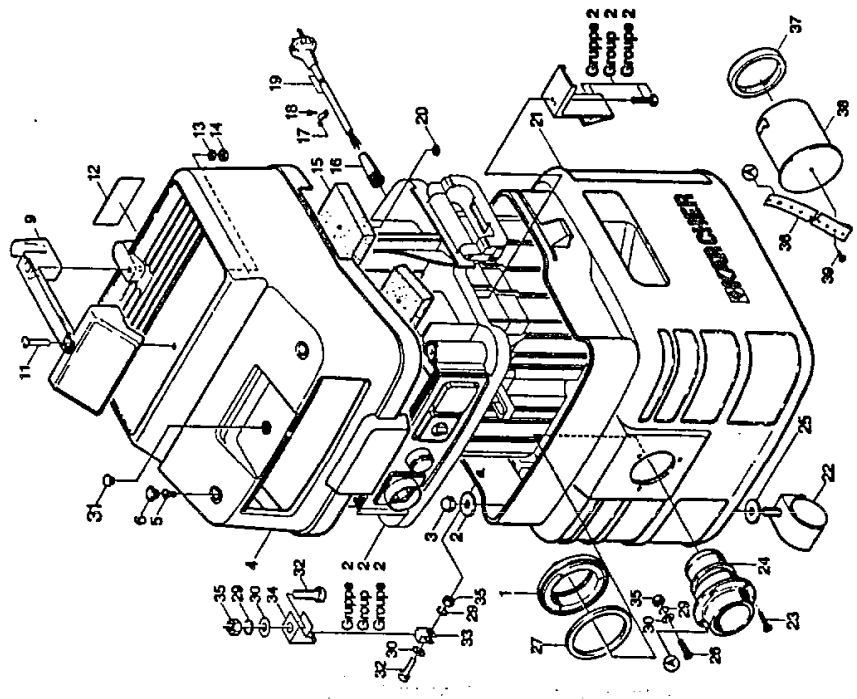
POS. ITEM. POS.	BENENNUNG DESCRIPTION DESIGNATION	TEILE-NR. PART-NO. NO. PIECE	STCK QTY. NBR.
1	FLANSCH/ FLANGE/ BRIDE /	5.122-134.0	1
2	SCHEIBE B 10,5/ WASHER/ RONDELLE/	7.312-029.0	4
3	MUTTER M10/ CAP NUT/ ECRU BORGNE/	7.311-406.0	4
4	HAUBE/ COVER/ CAPOT/	5.066-302.0	1
5	ZYL.SCHR. M 6X 14/ CHEESE HEAD SCREW/ VIS A TETE CYLINDR./	7.309-029.0	4
6	ABDECKAPPE D 15,4/ CAP/ CHAPE/	6.368-121.0	6
9	GRIF/ KNOB/ POIGNEE/	5.321-284.0	1
11	LINSENSCHR. M 6X 60/ OVAL HEAD SCREW/ VIS A TETE BOMBEE/	7.306-321.0	2
12	SCHILD/ DECAL/ PLAQUE/	5.386-008.0	1
13	SCHEIBE 6,4/ WASHER/ RONDELLE/	7.312-276.0	2
14	6KT-MUTTER M 6/ HEXAGON NUT/ ECROU HEXAGONAL/	7.311-003.0	2
15	ISOLIERMATTE/ INSULATING MAT/ TAPIS ISOLANTE/	5.673-034.0	1
16	SCHUTZTEIL/ PROTECTION PART/ PARTIE PROTECTEUR/	5.394-138.0	1
17	KABELSCHELE R 8/ CABLE CLIP/ COLLIER DE CABLE/	6.373-319.0	1
18	LINSENSCHR. 3,5X13/ OVAL HEAD SCREW/ VIS A TETE BOMBEE/	6.303-023.0	2
19	KABEL MIT STECKER/ CORD WITH GFCI/ CABLE/ RONDELLE D'ARRET/	6.641-087.0	1
20	SICHERUNGSSCHEIBE/ LOCK WASHER/ RONDELLE D'ARRET/	6.343-139.0	5
21	BEHAELTER/ TANK/ BAC/	5.070-107.0	1
22	LENKROLLE/ CASTOR/ ROUE PIVOTANTE/	6.435-126.0	4



GRUPPE: 1 GEHÄUSE-AUSSENTEILE
 GROUP: 1 HOUSING-OUTER PARTS
 GROUPE: 1 PARTIES EXTERIEURES DE CORPS

C1

NT 501 ecoK



POS. BENENNUNG ITM. DESCRIPTION POS. DESIGNATION	TEILE-NR. PART-NO. NO. PIECE	STÜCK QTY. NBR.
23 SENKSCHR. 5,0X 22/ FLAT HEADED SCREW/ VIS A TETE CONIQUE/	6.303-056.0	2
24 ROHRKRÜEMER/ ELBOW/ COUDE DE TUBE/	5.408-031.0	1
25 SCHEIBE 10,5/ WASHER/ RONDELLE/	7.312-290.0	4
26 SENKSCHR. M 5X 30/ FLAT HEADED SCREW/ VIS A TETE CONIQUE/	7.305-269.0	1
27 DICHRING/ JOINT RING/ BAGUE D'ETANCHEITE/	5.363-234.0	1
29 ZAHNSCHEIBE A 5,3/ LOCK WASHER/ ROUE PLATE/	7.312-172.0	3
30 SCHEIBE B 5,3/ WASHER/ RONDELLE/	7.312-002.0	3
31 VERSCHLUSSTOPFEN/ DRAIN PLUG/ BOUCHON/	6.368-125.0	1
32 LINSENSCHR. M 5X 16/ OVAL HEAD SCREW/ VIS A TETE BOMBEE/	7.306-304.0	2
33 U-PROFIL/ U-PROFILE/ PROFILE EN U/	5.022-918.0	1
34 FORMTEIL/ MOULDED PART/ PREFORME/	5.030-623.0	1
35 6KT-MUTTER M 5/ HEXAGON NUT/ ECHOU HEXAGONAL/	7.311-065.0	3
36 LOCHRAND/ PUNCHED TAPE/ BANDE PERFOREE/	5.020-676.0	1
37 RING/ RING/ BAGUE/	5.114-105.0	1
38 KÜPPLUNG/ COUPLER/ COUPLEUR/	5.470-020.0	1
39 LINSENSCHR. 3,5X9,5/ OVAL HEAD SCREW/ VIS A TETE BOMBEE/	6.303-022.0	1





A 2

NT 501 eco K

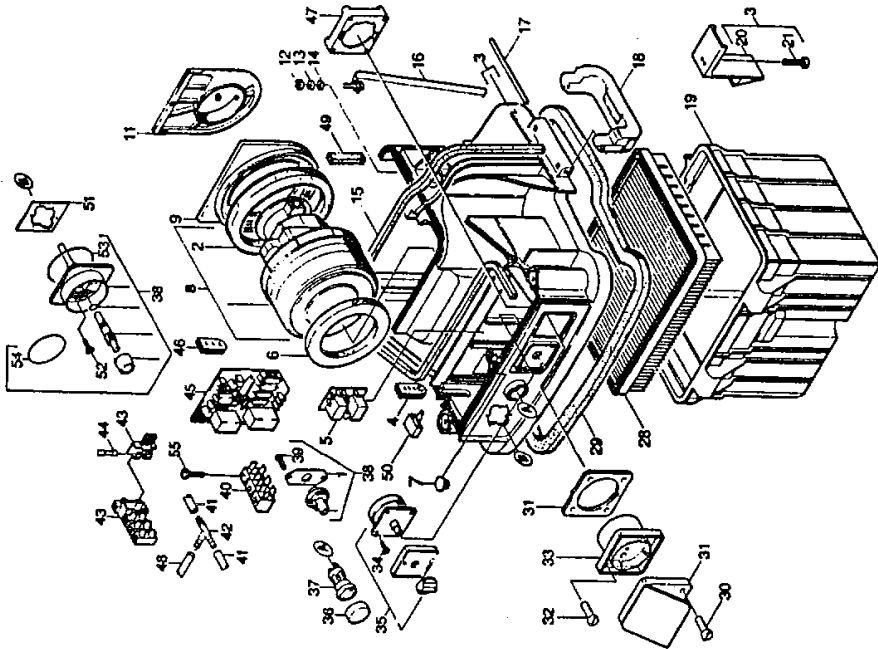
Gruppe 2: Gehäuse – Innentelle
Group 2: Housing – inner parts
Groupe 2: Parties intérieures de corps

GRUPPE: 2 GEHÄUSE INNENTEILE
 GROUP: 2 HOUSING
 GROUPE: 2 CARTER

B 2

NT 501 eco K

POS. BENENNUNG ITEM. DESCRIPTION POS. DESIGNATION	TEILE-NR. PART-NO. NO. PIECE	STÜCK QTY. NBR.
1 ELECHTEIL/ PLATE/ TOLE/	5.045-836.0	1
2 DICHRING/ JOINT RING/ BAGUE D'ETANCHEITE/	5.363-111.0	1
3 GEHÄUSE KPL./ HOUSING/ CARTER/	4.605-024.0	1
4 SCHUTZTEIL/ PROTECTION PART/ PARTIE PROTECTEUR/	5.394-218.0	1
5 SCHALTELEKTRONIK/ ELECTRONICS/ PLATINE ELECTR./	6.682-116.0	1
6 DICHRING/ JOINT RING/ BAGUE D'ETANCHEITE/	5.363-219.0	1
7 VERSCHLUSSTOPFEN/ DRAIN PLUG/ BOUCHON/	6.368-125.0	1
8 TURBINE 240V/ VACUUM MOTOR/ TURBINE/	4.862-024.0	1
9 FLÄCHDICHTUNG/ STAL/ GARNITURE PLATE/	5.364-140.0	1
10 DECKEL/ COVER/ COUVERCLE/	5.063-350.0	1
11 6KT-MUTTER M 5/ HEXAGON NUT/ ECROU HEXAGONAL/	7.311-065.0	1
12 ZAHNSCHEIBE A 5,3/ LOCK WASHER/ ROUE PLATE/	7.312-172.0	2
13 SCHEIBE B 5,3/ WASHER/ RONDELLE/	7.312-002.0	2
15 FLÄCHDICHTUNG/ SEAL/ GARNITURE PLATE/	5.364-138.0	1
16 BÜGSEL/ STRAP/ ETRIER/	4.034-042.0	2
17 STIFT/ PIN/ CHEVILLE/	5.314-047.0	2
18 GRIF/ KNOB/ FOIGNEE/	5.321-108.0	2
19 RAHMEN/ FRAME/ CADRE/	5.050-030.0	1
20 HAKEN/ HOOK/ PATERE/	5.037-079.0	2
21 LINSENSCHR. 4,0X 12/ OVAL HEAD SCREW/ VIS A TETE BOMBEE/	6.303-059.0	2
28 FILTEREINSATZ III/ FILTER CARTRIDGE/ CARTOUCHE FILTRANTE/	5.731-032.0	1



GRUPE: 2 GEHAUSE INNENTEILE
 GROUP: 2 HOUSING
 GROUPE: 2 CARTER

C2

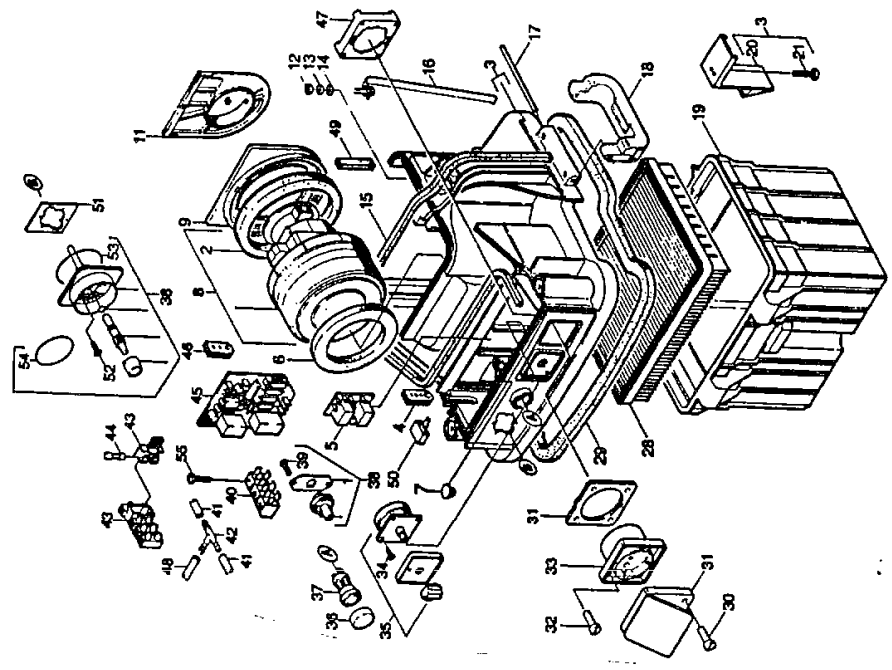
NT 501 ecoK

POS. BEVENNUNG
 ITEM. DESCRIPTION
 POS. DESIGNATION

TEILE-NR.
 PART-NO.
 NO. PIECE

STUCK
 QTY.
 NBR.

29	DICHRING/ JOINT RING/ BAGUE D'ETANCHEITE/ VIS A TOLE/	5.363-216.0	1
30	BL.SCHR. ST4,0X20,0/ SHEET METAL SCREW/ VIS A TOLE/	6.303-119.0	2
31	ABDECKRAHMEN/ COVER FRAME/ CHASSIS/	6.646-164.0	1
32	BL.SCHR. ST4,0X16,0/ SHEET METAL SCREW/ VIS A TOLE/	6.303-121.0	2
33	STECKDOSE/ SOCKET/ PRISE DE COURANT/	6.646-165.0	1
34	SENKSCR. 5,0X 16/ FLAT HEADED SCREW/ VIS A TETE CONIQUE/	6.303-057.0	4
35	DREHSCHALTER/ ROTARY SWITCH/ INTERRUPTUEUR ROTATIF/	6.631-657.0	1
36	SCHUTZKAPPE/ PROTECTING CAP/ CAPOT PROTECTION/	5.392-010.0	1
37	KONTROLLEUCHE/ PILOT LAMP/ VOYANT/	6.651-279.0	1
38	DRUCKSCHALTER NPL./ PRESSURE SWITCH/ PRESSOTAT/	4.747-054.0	1
39	LINSENSCHR. 3,5X13/ OVAL HEAD SCREW/ VIS A TETE BOMBEE/	6.303-023.0	1
40	STECKKLEMLEISTE 3P/ STRIP TERMINAL/ BORNE A FICHES/	6.643-136.0	1
41	SCHLAUCH 3X1,35/ HOSE/ TUYAU FLEXIBLE/	6.389-491.0	2
42	T-TUELLE/ T-RUBBER BUSHING/ MANCHON EN T/	6.388-904.0	1
43	KLEMMLEISTE/ STRIP TERMINAL/ BORNE PLATE/	6.643-219.0	1
44	SICHERUNG 0,063 M/ CLIP/ FUSIBLE/	6.644-120.0	1
45	SCHALTELEKTRONIK/ ELECTRONICS/ PLATINE ELECTR./	6.682-182.0	1
46	SCHUTZTEIL/ PROTECTION PART/ PARTIE PROTECTEUR/	5.394-219.0	1
47	FLANSCH/ FLANGE/ BRIDE/	5.122-131.0	1

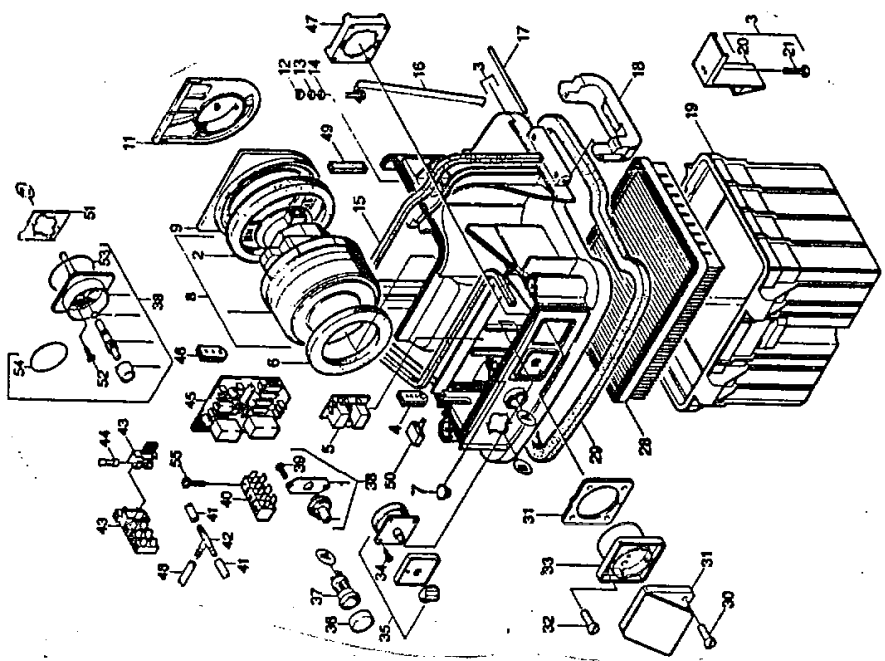


GRUPPE: 2 GEHÄUSE INNENLESE
 GROUP: 2 HOUSING
 GROUPE: 2 CARTER

D 2

NT 501 ecoK

POS. BENENNUNG ITM. DESCRIPTION POS. DESIGNATION	TEILE-NR. PART-NO. NO. PIECE	STÜCK QTY. NR.
48 SCHLAUCH 3X1,35-520/ HOSE/ TUYAU FLEXIBLE/	6.389-170.0	1
49 FLACHDICHTUNG/ SEAL/ GARNITURE PLATE/	5.364-149.0	1
50 ENTSTÖERKONDENSATOR/ INTERFERENCE SUPPRESSOR/ CONDENS. D'ANTIPARASITAGE/	6.661-112.0	1
51 BLECHTEIL/ PLATE/ TOLE/	5.045-997.0	1
52 BL.SCHR. ST2,9X 9,5/ SHEET METAL SCREW/ VIS A TOLE/	7.303-368.0	1
53 O-RING 55,0 X 2,0/ GASKET/ BAQUE D'ETANCHEITE/	6.362-094.0	1
54 SCHILD/ DECAL/ PLAQUE/	5.389-286.0	4
55 LINSENSCHR. 3,5X 32/ OVAL HEAD SCREW/ VIS A TETE BOMBEE/	6.303-053.0	2





A 3

NT 501 eco K

Gruppe 3: Zubehör
Group 3: Accessories
Groupe 3: Accessoires

1.734-03.01.Y34

GRUPPE: 3 ZUBEHOER
 GROUP: 3 ACCESSORIES
 GROUPE: 3 ACCESSOIRES

B 3

NT 501 ecoK

POS. ITEM. POS.	BENENNUNG DESCRIPTION DESIGNATION	TEILE-NR. PART-NO. NO. PIECE	STÜCK QTY. NER.
0	SAUGSCHLAUCH DN35/ SUCTION HOSE/ FLEXIBLE D'ASPIRATION/	4.440-287.0	1
1	RING/ RING/ BAGUE/	5.114-105.0	1
2	KUPFLUNG/ COUPLER/ COUPLEUR/	5.470-008.0	1
3	DICHTRING NW 32/ JOINT RING/ BAGUE D'ETRANCHEITE/	5.363-156.0	1
4	KLEMMHUELSE NW 32/ CLAMP SLEEVE/ DOUILLE DE SERRAGE/	5.262-014.0	1
5	SAUGSCHLAUCH DN32/ SUCTION HOSE/ FLEXIBLE D'ASPIRATION/	6.388-765.0	1
6	GEWINDERING NW32/ RING FOLLOWER/ BAGUE FILETEE/	6.902-031.0	1
7	MUFFE NW35/ BUSHING/ MANCHON/	6.902-030.0	1
8	VERBINDUNGSMUFFE/ ADAPTER/ BOITE DE JONCTION/	5.453-016.0	1
9	STAUBBEUTEL KOMB./ DUST BAG/ SACHET FILTRE/	6.904-052.0	1

