



Ersatzteilliste
Spare Parts List
Liste des pièces de rechange

HD 890 S

1.808-902.0 HD 890 S * EUROPA

GRUPPE: 1.0 EINZELTEILE
GROUP: 1.0 PIECE PARTS
GRUPPE: 1.0 PIECES CONSTITUANTES

A1

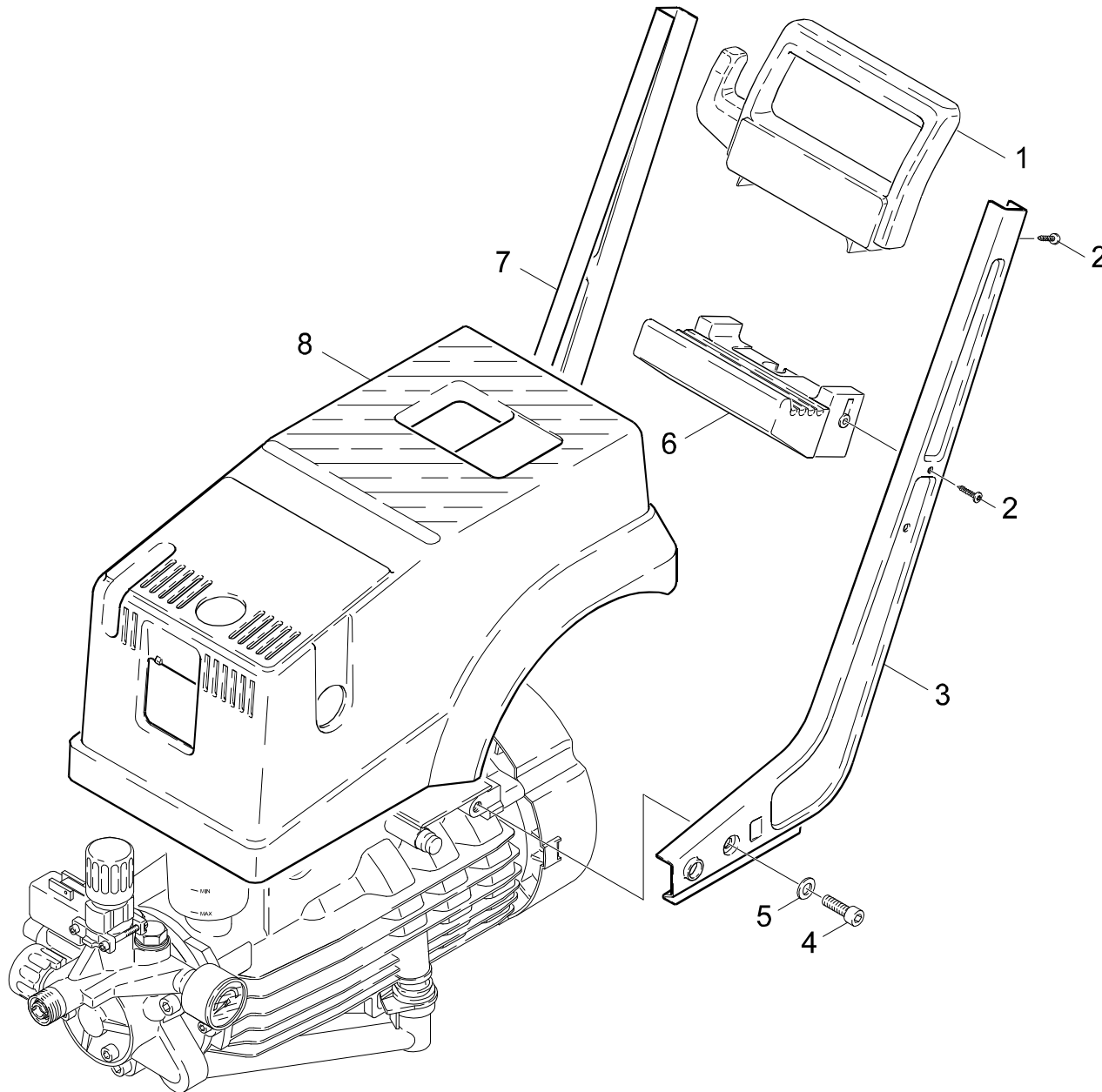
HD 890 S

GRUPPE: 1.0 EINZELTEILE
GROUP: 1.0 PIECE PARTS
GRUPPE: 1.0 PIECES CONSTITUANTES

GRUPPE: 1.1 HAUBE
GROUP: 1.1 COVER
GRUPPE: 1.1 CAPOT

B1

HD 890 S



Symbolbeschreibung siehe M16 / symbol description see M16 / désignation de système voir M16 /

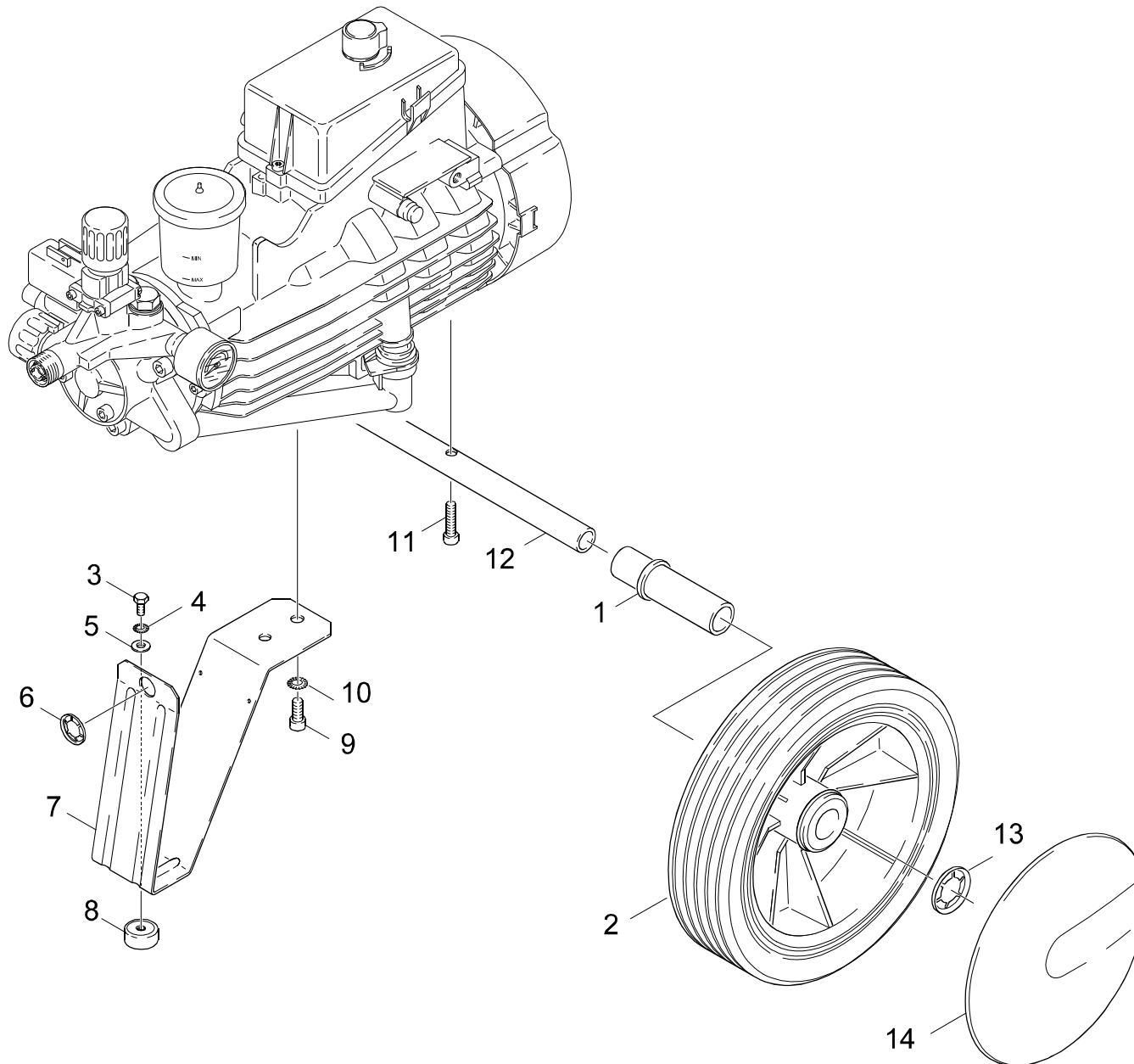
GRUPPE: 1.1 HAUBE
GROUP: 1.1 COVER
GROUPE: 1.1 CAPOT

C1

HD 890 S

| POS. ITM. POS. | BENNENUNG DESCRIPTION DESIGNATION | TEILE-NR. PART-NO. NO.PIECE | STCK QTY. NBR. |
|----------------------|--|-----------------------------------|----------------------|
| 1 | GRIFF / HANDLE / POIGNEE | 5.321-196.0 | 1 |
| 2 | BL.SCHR. ST4,8X19 / SHEET METAL SCREW / VIS A TOLE | 7.303-078.0 | 4 |
| 3 | STAENDER LINKS / STAND / MONTANTS | 5.052-016.0 | 1 |
| 4 | ZYL.SCHR. M 8X 20 / CHEESE HEAD SCREW / VIS A TETE CYLINDR. | 7.306-041.0 | 2 |
| 5 | SCHEIBE 8 / WASHER / RONDELLE | 7.312-004.0 | 2 |
| 6 | HALTER / BRACKET / FIXATION | 5.042-394.0 | 1 |
| 7 | STAENDER RECHTS / STAND / MONTANTS | 5.052-017.0 | 1 |
| 8 | HAUBE / COVER / CAPOT | 5.066-847.0 | 1 |

"=> xxxxxx" = bis Werknummer / up to serial No. / jusqu' au No. de fabr. / "xxxxxx =>" = ab Werknummer / from serial No. / a partir du No. de fabr. /



Symbolbeschreibung siehe M16 / symbol description see M16 / désignation de système voir M16 /

GRUPPE: 1.2 GESTELL
GROUP: 1.2 FRAME
GROUPE: 1.2 CHASSIS

E1

HD 890 S

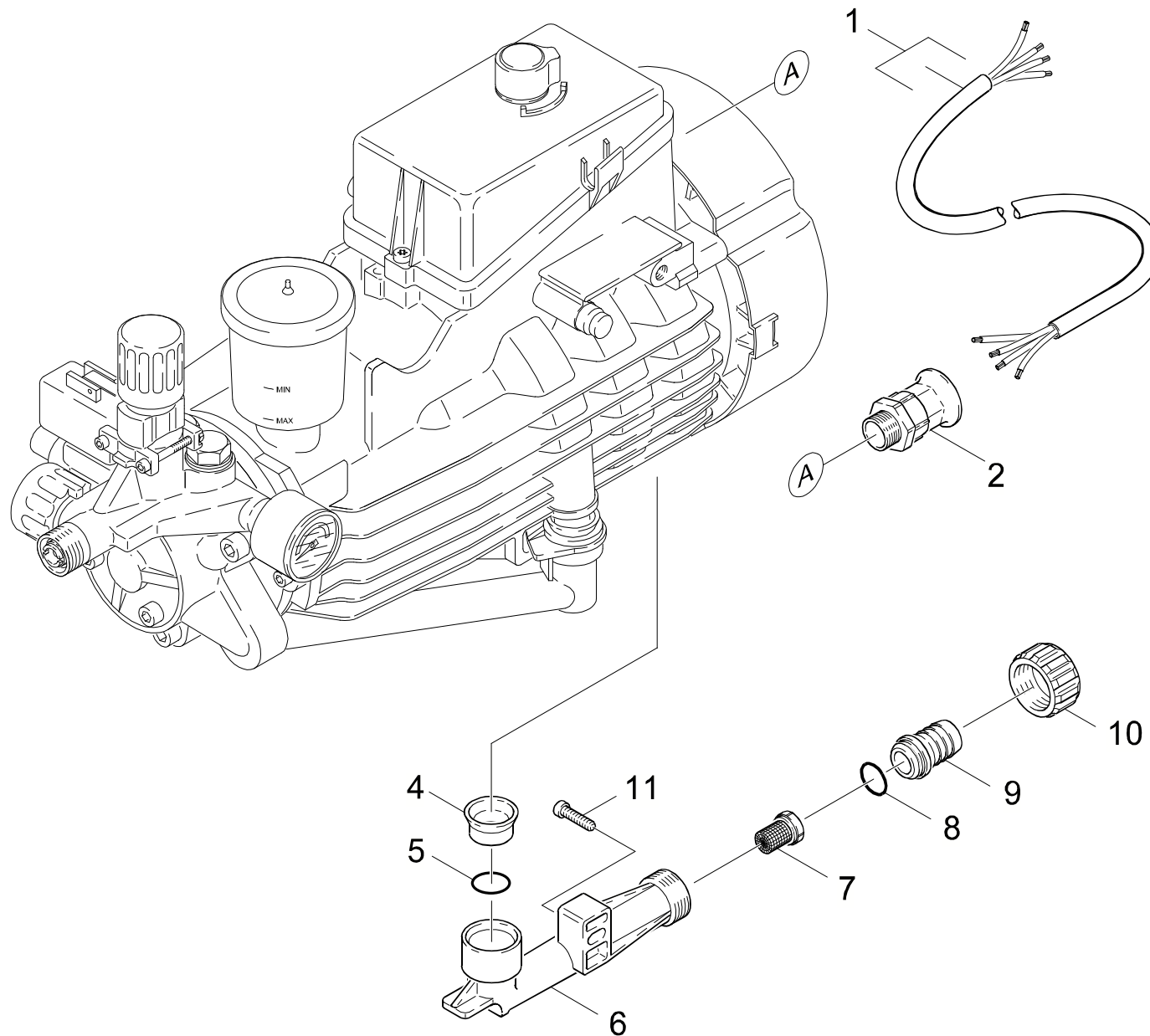
| POS. ITM. POS. | BENNENUNG DESCRIPTION DESIGNATION | TEILE-NR. PART-NO. NO.PIECE | STCK QTY. NBR. |
|----------------------|--|-----------------------------------|----------------------|
| 1 | HUELSE / SLEEVE / DOUILLE | 5.110-540.0 | 2 |
| 2 | RAD D.250 / WHEEL / ROUE | 6.435-236.0 | 2 |
| 3 | 6KT-SCHR. M 6X 8 / HEXAGONAL HEAD SCREW / VIS HEXAGONAL | 7.304-540.0 | 1 |
| 4 | ZAHNSCHEIBE A 6,4 / LOCK WASHER / ROUE PLATE | 7.312-167.0 | 1 |
| 5 | SCHEIBE 6 / WASHER / RONDELLE | 7.312-276.0 | 1 |
| 6 | SICHERUNGSSCHEIBE / LOCK WASHER / RONDELLE D'ARRET | 6.343-168.0 | 1 |
| 7 | FORMTEIL / MOULDED PART / PREFORME | 5.030-635.0 | 1 |
| 8 | GUMMIPUFFER / RUBBER BUFFER / BUTOIR CAOUTCHOUC | 6.339-113.0 | 1 |
| 9 | ZYL.SCHR. M 8X 16 / CHEESE HEAD SCREW / VIS A TETE CYLINDR. | 6.303-123.0 | 1 |
| 10 | ZAHNSCHEIBE A 8,4 / LOCK WASHER / ROUE PLATE | 7.312-159.0 | 1 |
| 11 | ZYL.SCHR. M 8X 33 / CHEESE HEAD SCREW / VIS A TETE CYLINDR. | 6.303-124.0 | 1 |
| 12 | ACHSE / AXLE / ESSIEU | 5.105-099.0 | 1 |
| 13 | SICHERUNGSSCHEIBE / LOCK WASHER / RONDELLE D'ARRET | 6.343-161.0 | 2 |
| 14 | RADKAPPE / WHEEL CAB / ENJOLIVEUR | 6.435-237.0 | 2 |

"=> xxxxxx" = bis Werknummer / up to serial No. / jusqu' au No. de fabr. / "xxxxxx =>" = ab Werknummer / from serial No. / a partir du No. de fabr. /

GRUPPE: 1.3 KABEL
GROUP: 1.3 CABLE
GRUPPE: 1.3 CABLE

F1

HD 890 S



Symbolbeschreibung siehe M16 / symbol description see M16 / désignation de système voir M16 /

GRUPPE: 1.3 KABEL
GROUP: 1.3 CABLE
GROUPE: 1.3 CABLE

G1

HD 890 S

| POS. ITM. POS. | BENNENUNG DESCRIPTION DESIGNATION | TEILE-NR. PART-NO. NO.PIECE | STCK QTY. NBR. |
|----------------------|--|-----------------------------------|----------------------|
| 1 | ANSCHLUSSKABEL / CONNECTION CABLE / CABLE | 4.820-523.0 | 1 |
| 2 | KABELVERSCHRAUBUNG / CABLE CONNECTOR / RACCORD DE CABLES | 6.641-798.0 | 1 |
| 4 | HUELSE / SLEEVE / DOUILLE | 5.110-341.0 | 1 |
| 5 | O-RING 17,5 X 3,5 / GASKET / BAQUE D'ETANCHEITE | 6.362-579.0 | 1 |
| 6 | KNOTENSTUECK / MANIFOLD / FERRURE NODALE | 5.427-136.0 | 1 |
| 7 | SIEB / STRAINER / CREPINE | 6.414-282.0 | 1 |
| 8 | O-RING 14,0 X 1,78 / GASKET / BAQUE D'ETANCHEITE | 6.362-395.0 | 1 |
| 9 | SCHLAUCHNIPPEL / HOSE STEM / RACCORD DE FLEXIBLE | 5.443-282.0 | 1 |
| 10 | MUTTER / NUT / ECROU | 5.311-071.0 | 1 |
| 11 | SCHRAUBE M 6X 30 / SCREW / VIS | 6.303-091.0 | 1 |

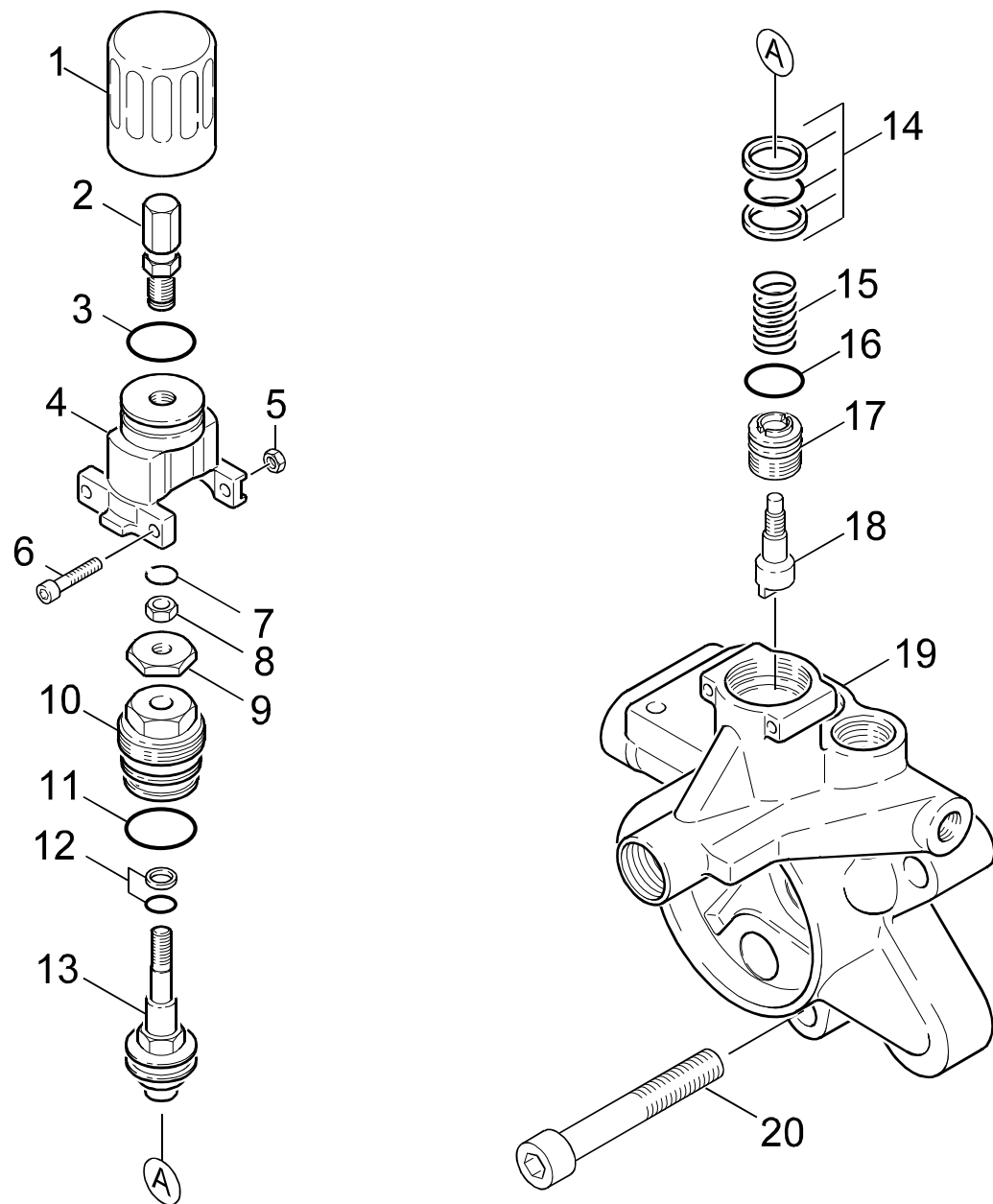
"=> xxxxxx" = bis Werknummer / up to serial No. / jusqu' au No. de fabr. / "xxxxxx =>" = ab Werknummer / from serial No. / a partir du No. de fabr. /

GRUPPE: 2.0 PUMPENSATZ
GROUP: 2.0 PUMP SET
GRUPPE: 2.0 JEU (ENSEMBLE) DE POMPE

A2

HD 890 S

GRUPPE: 2.0 PUMPENSATZ
GROUP: 2.0 PUMP SET
GRUPPE: 2.0 JEU (ENSEMBLE) DE POMPE



Symbolbeschreibung siehe M16 / symbol description see M16 / désignation de système voir M16 /

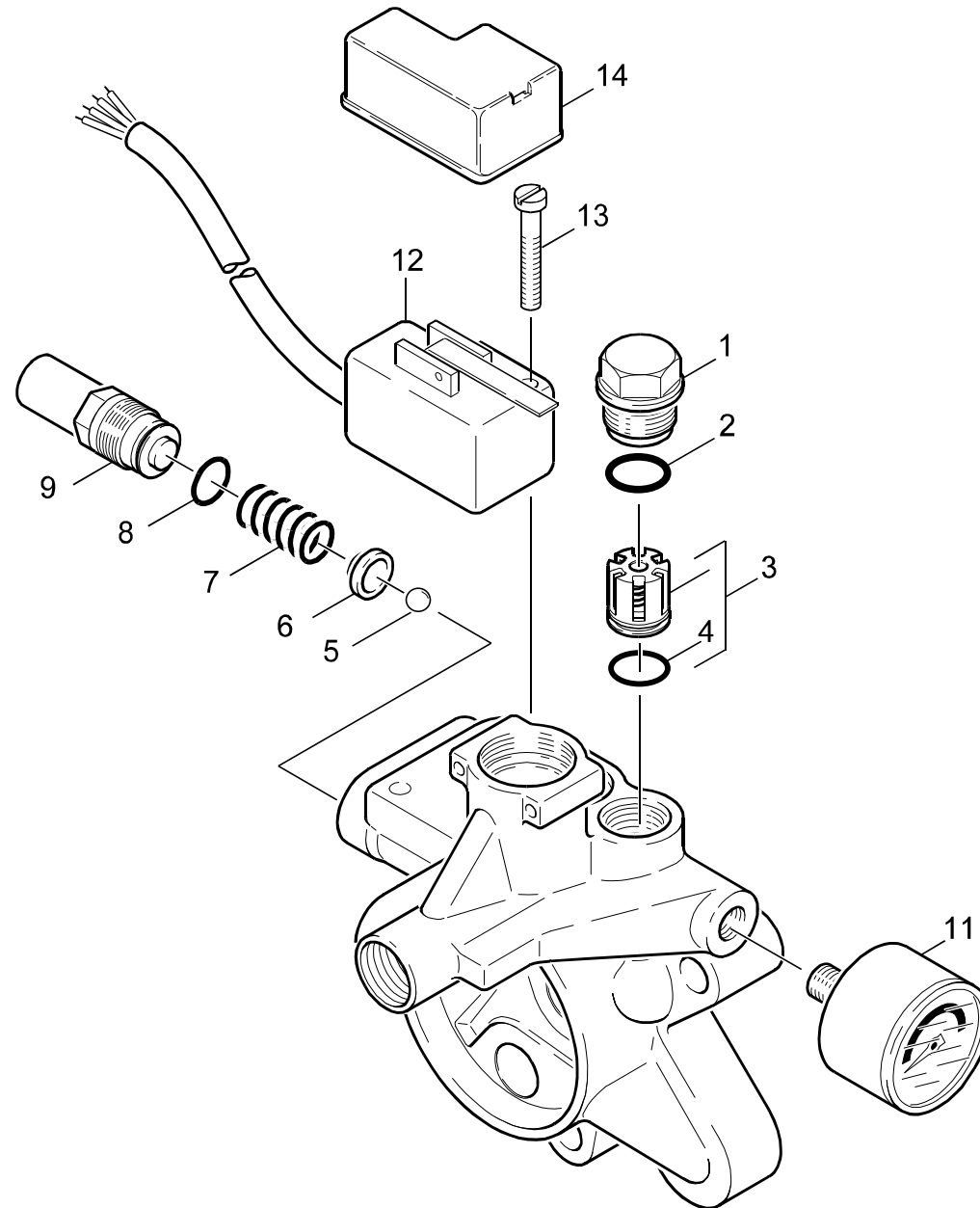
GRUPPE: 2.1 ZYLINDERKOPF
GROUP: 2.1 CYLINDER HEAD
GROUPE: 2.1 CULASSE

C2

HD 890 S

| POS. ITM. POS. | BENNENUNG DESCRIPTION DESIGNATION | TEILE-NR. PART-NO. NO.PIECE | STCK QTY. NBR. |
|----------------------|--|-----------------------------------|----------------------|
| 1 | GRIFF / HANDLE / POIGNEE | 5.321-307.0 | 1 |
| 2 | SPINDEL / SPINDLE / PIVOT | 5.291-067.0 | 1 |
| 3 | O-RING 20,0 X 4,0 / GASKET / BAQUE D'ETANCHEITE | 6.362-413.0 | 1 |
| 4 | HALTER / BRACKET / FIXATION | 5.042-826.0 | 1 |
| 5 | 6KT-MUTTER M 4 / HEXAGON NUT / ECROU HEXAGONAL | 7.311-001.0 | 2 |
| 6 | ZYL.SCHR. M 4X 40 / CHEESE HEAD SCREW / VIS A TETE CYLINDR. | 7.306-167.0 | 2 |
| 7 | SPRENGRING A 7 / RETAINER / CIRCLIP | 7.343-483.0 | 1 |
| 8 | 6KT-MUTTER M 6 / HEXAGON NUT / ECROU HEXAGONAL | 7.311-211.0 | 1 |
| 9 | 6KT-MUTTER / HEXAGON NUT / ECROU HEXAGONAL | 5.311-179.0 | 1 |
| 10 | VERSCHLUSSSCHRAUBE / CLOSING SCREW / VIS DE FERMETURE | 5.411-112.0 | 1 |
| 11 | O-RING 22,0 X 1,5 / GASKET / BAQUE D'ETANCHEITE | 6.362-412.0 | 1 |
| 12 | O-RING KPL./1ST.-R. / GASKET / BAQUE D'ETANCHEITE | 6.362-467.0 | 1 |
| 13 | KOLBEN / PISTON / PISTON | 5.553-311.0 | 1 |
| 14 | O-RING KPL./2ST.-R. / GASKET / BAQUE D'ETANCHEITE | 6.362-610.0 | 1 |
| 15 | SCHRAUBENFEDER / HELICAL SPRING / RESSORT CYLINDRIQUE | 5.332-331.0 | 1 |
| 16 | O-RING 12,42X 1,78 / GASKET / BAQUE D'ETANCHEITE | 6.362-480.0 | 1 |
| 17 | VENTILSITZ / VALVE SEAT / SIEGE DE SOUPAPE | 5.581-183.0 | 1 |
| 18 | VENTILBOLZEN / VALVE PIN / BOULON DE SOUPAPE | 5.584-095.0 | 1 |
| 19 | ZYLINDERKOPF KPL. / CYLINDER HEAD / CULASSE | 4.550-267.0 | 1 |
| 20 | ZYL.SCHR. M10X 70 / CHEESE HEAD SCREW / VIS A TETE CYLINDR. | 7.306-125.0 | 3 |
| 100 | PUMPENSET / PUMP SET / GROUPE DE POMPES | 2.883-438.0 | 1 |

"=> xxxxxx" = bis Werknummer / up to serial No. / jusqu' au No. de fabr. / "xxxxxx =>" = ab Werknummer / from serial No. / a partir du No. de fabr. /



Symbolbeschreibung siehe M16 / symbol description see M16 / désignation de système voir M16 /

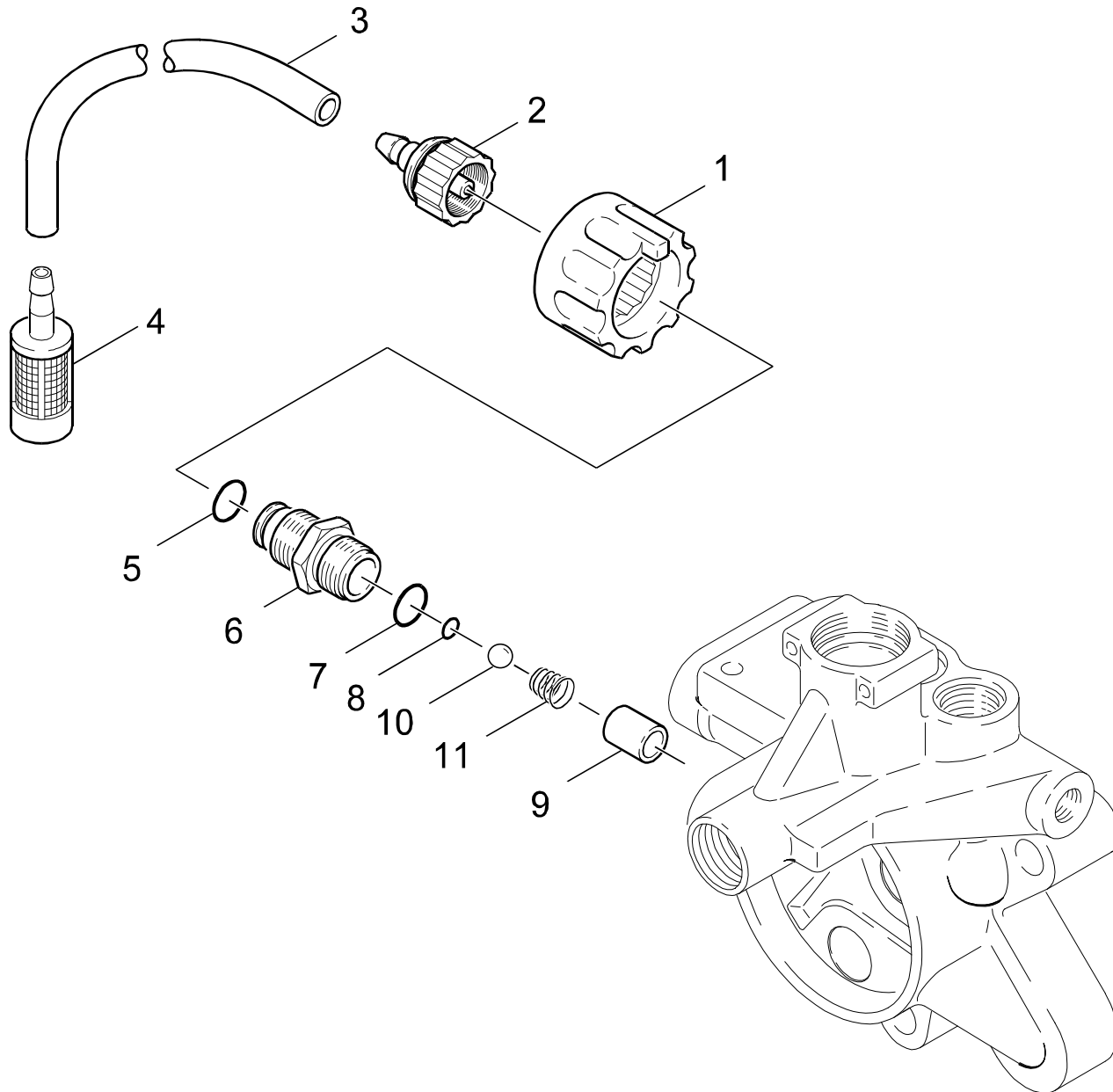
GRUPPE: 2.2 DRUCKSEITE
GROUP: 2.2 PHYSICAL PAGE
GROUPE: 2.2 COTE REFOULEMENT

E2

HD 890 S

| POS. ITM. POS. | BENNENUNG DESCRIPTION DESIGNATION | TEILE-NR. PART-NO. NO.PIECE | STCK QTY. NBR. |
|----------------------|--|-----------------------------------|----------------------|
| 1 | VENTILSCHRAUBE / VALVE SCREW / VIS POINTEAU (SOUP.) | 5.583-117.0 | 3 |
| 2 | O-RING 15,3 X 2,4 / GASKET / BAQUE D'ETANCHEITE | 6.362-153.0 | 3 |
| 3 | VENTIL KPL. / VALVE / SOUPAPE | 4.580-186.0 | 3 |
| 4 | O-RING 13,0 X 2,0 / GASKET / BAQUE D'ETANCHEITE | 6.362-381.0 | 3 |
| 5 | KUGEL 7,0 G300 / BALL / BOULE | 7.401-908.0 | 1 |
| 6 | VENTILTELLER / VALVE DISC / TETE DE SOUPAPE | 5.582-075.0 | 1 |
| 7 | SCHRAUBENFEDER / HELICAL SPRING / RESSORT CYLINDRIQUE | 5.332-203.0 | 1 |
| 8 | O-RING 12,0 X 2,0 / GASKET / BAQUE D'ETANCHEITE | 6.362-169.0 | 1 |
| 9 | VENTILSCHRAUBE / VALVE SCREW / VIS POINTEAU (SOUP.) | 5.583-114.0 | 1 |
| 11 | MANOMETER 0-300 BAR / PRESSURE GAUGE / MANOMETRE | 6.421-214.0 | 1 |
| 12 | 2-PHASEN-SCHALTER / SWITCH / INTERRUPTEUR | 6.635-277.0 | 1 |
| 13 | SCHRAUBE M 5X 35 / SCREW / VIS | 7.306-185.0 | 1 |
| 14 | SCHUTZHAUBE / PROTECTIVE CAP / CAPOT PROTECTEUR | 5.392-020.0 | 1 |
| 100 | PUMPENSET / PUMP SET / GROUPE DE POMPES | 2.883-438.0 | 1 |

"=> xxxxxx" = bis Werknummer / up to serial No. / jusqu' au No. de fabr. / "xxxxxx =>" = ab Werknummer / from serial No. / a partir du No. de fabr. /



Symbolbeschreibung siehe M16 / symbol description see M16 / désignation de système voir M16 /

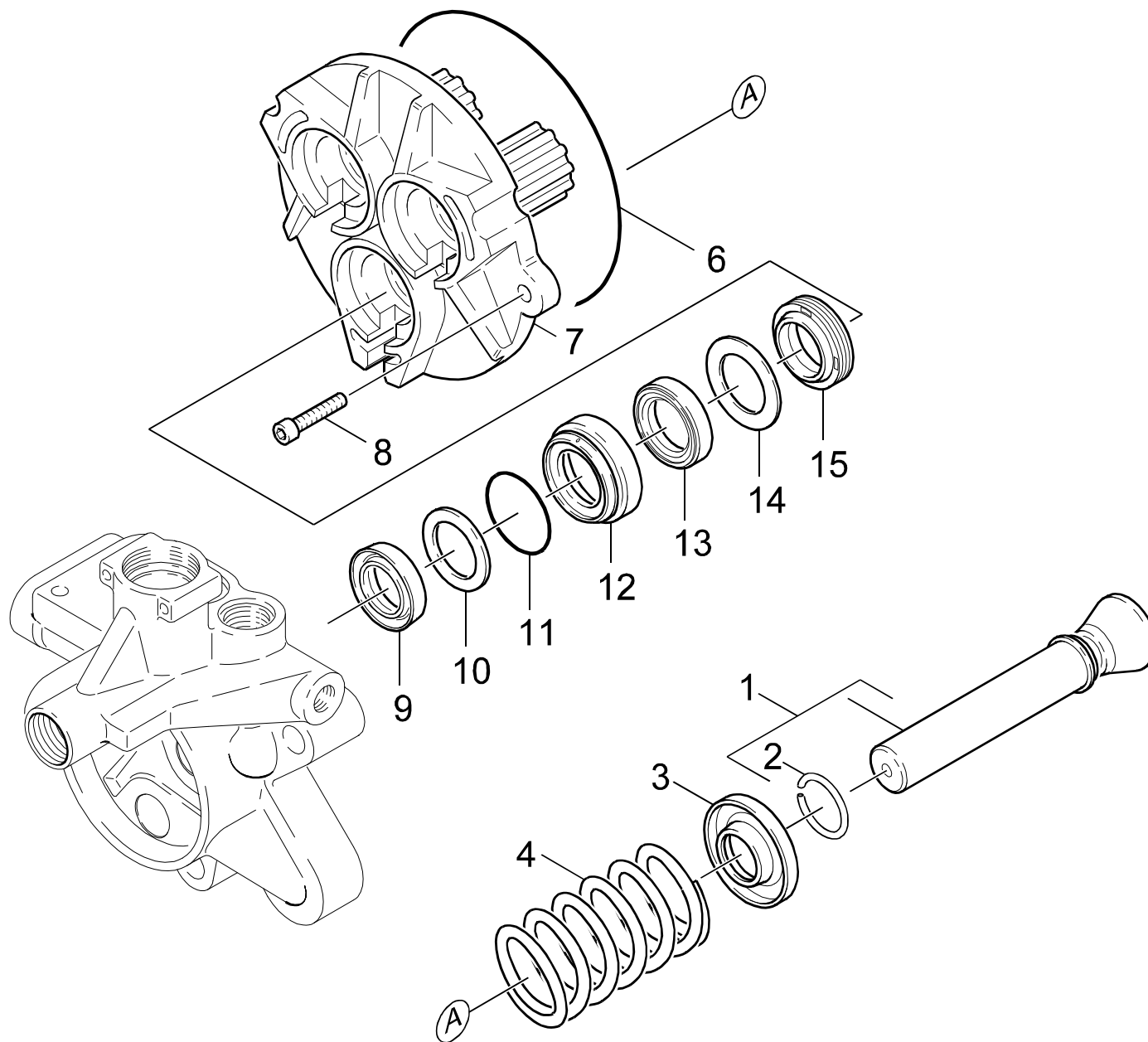
GRUPPE: 2.3 CHEMIE
GROUP: 2.3 CHEMISTRY
GROUPE: 2.3 CHIMIE

G2

HD 890 S

| POS. ITM. POS. | BENNENUNG DESCRIPTION DESIGNATION | TEILE-NR. PART-NO. NO.PIECE | STCK QTY. NBR. |
|----------------------|--|-----------------------------------|----------------------|
| 1 | GRIFF / HANDLE / POIGNEE | 5.321-318.0 | 1 |
| 2 | SCHLAUCHNIPPEL / HOSE STEM / RACCORD DE FLEXIBLE | 5.443-281.0 | 1 |
| 3 | SCHLAUCH DN 5 / HOSE / TUYAU FLEXIBLE | 6.388-216.0 | 2 |
| | ALS METERWARE BESTELLEN/TO ORDER AS CUT GOODS/COMMANDE COMME MARCHANDISE AU METRE | | |
| 4 | FILTER MIT GEWICHT / FILTER / FILTRE | 5.731-609.0 | 1 |
| 5 | O-RING 10,0 X 2,0 / GASKET / BAQUE D'ETANCHEITE | 6.362-151.0 | 1 |
| 6 | SCHRAUBSTUTZEN / SCREW UNION / RACCORD FILETE | 5.402-523.0 | 1 |
| 7 | O-RING 14,0 X 1,6 / GASKET / BAQUE D'ETANCHEITE | 6.362-485.0 | 1 |
| 8 | O-RING 6,0 X 2,0 / GASKET / BAQUE D'ETANCHEITE | 6.362-383.0 | 1 |
| 9 | ROHR / PIPE / TUYAU | 5.028-692.0 | 1 |
| 10 | KUGEL 7,0 G300 / BALL / BOULE | 7.401-908.0 | 1 |
| 11 | SCHRAUBENFEDER / HELICAL SPRING / RESSORT CYLINDRIQUE | 5.332-124.0 | 1 |
| 100 | PUMPENSET / PUMP SET / GROUPE DE POMPES | 2.883-438.0 | 1 |

"=> xxxxxx" = bis Werknummer / up to serial No. / jusqu' au No. de fabr. / "xxxxxx =>" = ab Werknummer / from serial No. / a partir du No. de fabr. /



Symbolbeschreibung siehe M16 / symbol description see M16 / désignation de système voir M16 /

GRUPPE: 2.4 KOLBEN
GROUP: 2.4 PISTON
GROUPE: 2.4 PISTON

I2

HD 890 S

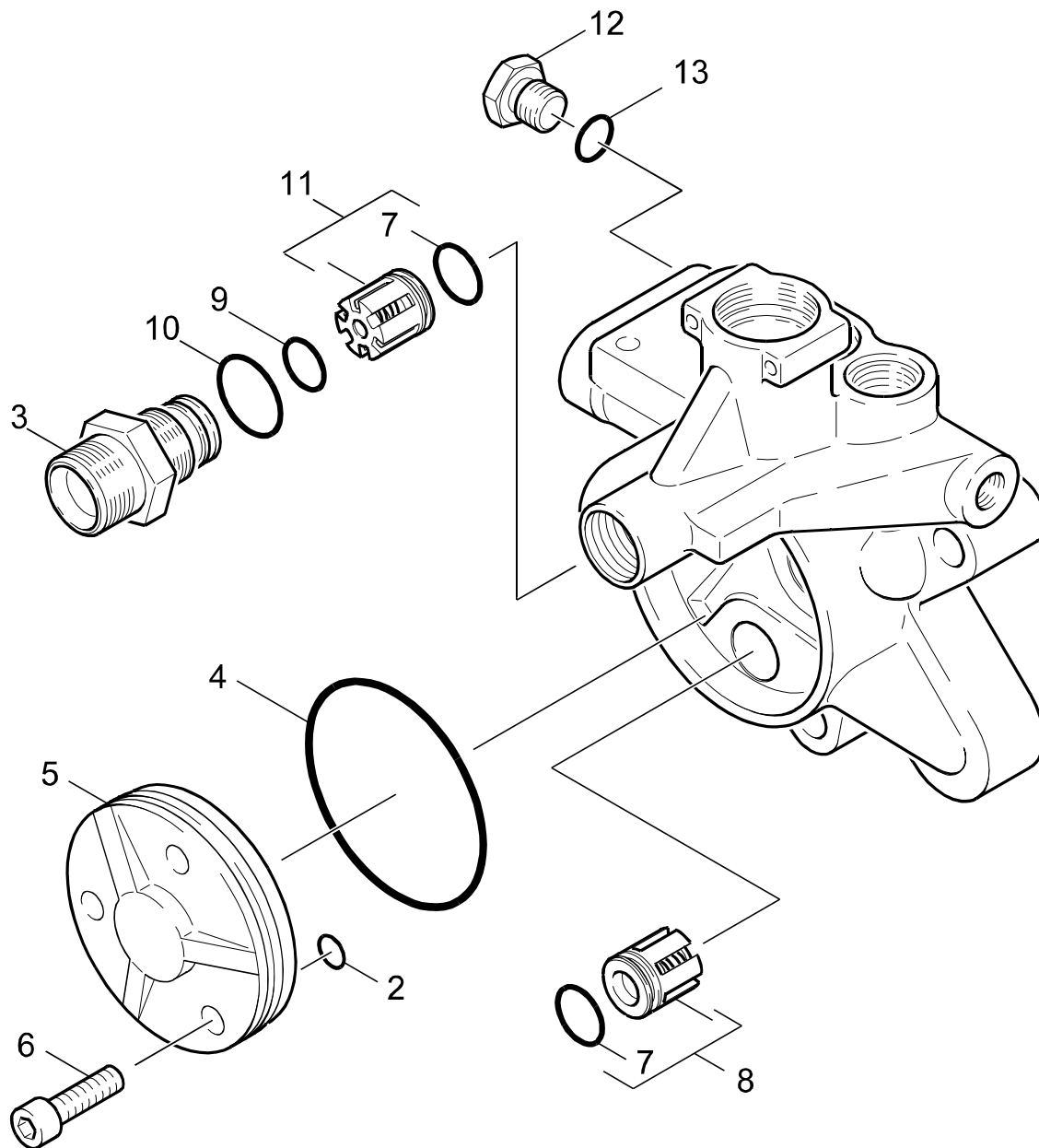
| POS. ITM. POS. | BENNENUNG DESCRIPTION DESIGNATION | TEILE-NR. PART-NO. NO.PIECE | STCK QTY. NBR. |
|----------------------|--|-----------------------------------|----------------------|
| 1 | KOLBEN KPL. / PISTON / PISTON | 4.553-124.0 | 3 |
| 2 | SPRENGRING A 18 / RETAINER / CIRCLIP | 7.343-473.0 | 3 |
| 3 | FORMTEIL / MOULDED PART / PREFORME | 5.030-602.0 | 3 |
| 4 | SCHRAUBENFEDER / HELICAL SPRING / RESSORT CYLINDRIQUE | 5.332-139.0 | 3 |
| 6 | O-RING 101,27X 2,62 / GASKET / BAQUE D'ETANCHEITE | 6.362-613.0 | 1 |
| 7 | GEHAEUSE / HOUSING / BOITIER | 5.060-326.0 | 1 |
| 8 | ZYL.SCHR. M 6X 25 / CHEESE HEAD SCREW / VIS A TETE CYLINDR. | 7.306-023.0 | 2 |
| 9 | NUTRING 18X26X5,4 / GROOVED RING / JOINT A LEVRES | 6.365-333.0 | 3 |
| 10 | SCHEIBE / WASHER / RONDELLE | 5.115-431.0 | 3 |
| 11 | O-RING 33,05X 1,78 / GASKET / BAQUE D'ETANCHEITE | 6.362-406.0 | 3 |
| 12 | BUCHSE / BUSH / DOUILLE | 5.112-340.0 | 3 |
| 13 | KOMPAKTDI. .18X28X6 / SEAL / JOINT | 6.365-332.0 | 3 |
| 14 | SCHEIBE / WASHER / RONDELLE | 5.115-432.0 | 3 |
| 15 | NUTRING 18X26X6/8 / GROOVED RING / JOINT A LEVRES | 6.365-334.0 | 3 |
| 100 | PUMPENSET / PUMP SET / GROUPE DE POMPES | 2.883-438.0 | 1 |

"=> xxxxxx" = bis Werknummer / up to serial No. / jusqu' au No. de fabr. / "xxxxxx =>" = ab Werknummer / from serial No. / a partir du No. de fabr. /

GRUPPE: 2.5 SAUGSEITE
GROUP: 2.5 SUCTION SIDE
GRUPPE: 2.5 COTE ASPIRANT

J2

HD 890 S



Symbolbeschreibung siehe M16 / symbol description see M16 / désignation de système voir M16 /

GRUPPE: 2.5 SAUGSEITE
GROUP: 2.5 SUCTION SIDE
GROUPE: 2.5 COTE ASPIRANT

K2

HD 890 S

| POS. ITM. POS. | BENNENUNG DESCRIPTION DESIGNATION | TEILE-NR. PART-NO. NO.PIECE | STCK QTY. NBR. |
|----------------------|--|-----------------------------------|----------------------|
| 2 | O-RING 9,0 X 1,5 / GASKET / BAQUE D'ETANCHEITE | 6.362-384.0 | 3 |
| 3 | DUESENEINSATZ / NOZZLE INSERT / INSERT DE BUSE | 5.769-123.0 | 1 |
| 4 | O-RING 60,0 X 2,0 / GASKET / BAQUE D'ETANCHEITE | 6.362-204.0 | 1 |
| 5 | DECKEL / COVER / COUVERCLE | 5.063-391.0 | 1 |
| 6 | ZYL.SCHR. M 8X 25 / CHEESE HEAD SCREW / VIS A TETE CYLINDR. | 7.306-042.0 | 3 |
| 7 | O-RING 13,0 X 2,0 / GASKET / BAQUE D'ETANCHEITE | 6.362-381.0 | 4 |
| 8 | VENTIL KPL. / VALVE / SOUPAPE | 4.580-186.0 | 3 |
| 9 | O-RING 14,0 X 2,0 / GASKET / BAQUE D'ETANCHEITE | 6.362-481.0 | 1 |
| 10 | O-RING 22,0 X 1,5 / GASKET / BAQUE D'ETANCHEITE | 6.362-412.0 | 1 |
| 11 | VENTIL KPL. / VALVE / SOUPAPE | 4.580-262.0 | 1 |
| 12 | VERSCHLUSSSCHRAUBE / CLOSING SCREW / VIS DE FERMETURE | 5.411-070.0 | 1 |
| 13 | O-RING 8 X 2 / GASKET / BAQUE D'ETANCHEITE | 6.362-101.0 | 1 |
| 100 | PUMPENSET / PUMP SET / GROUPE DE POMPES | 2.883-438.0 | 1 |

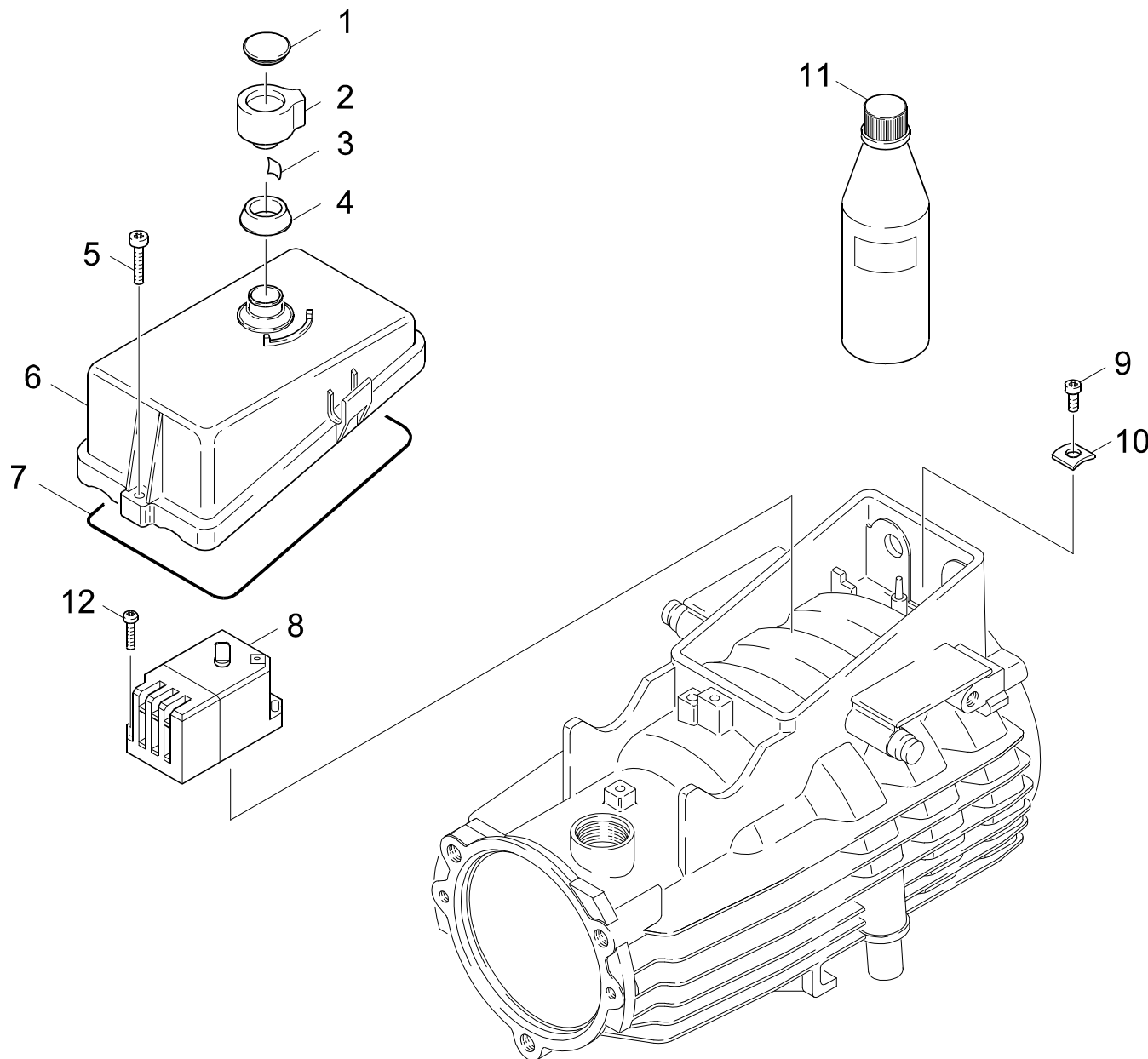
"=> xxxxxx" = bis Werknummer / up to serial No. / jusqu' au No. de fabr. / "xxxxxx =>" = ab Werknummer / from serial No. / a partir du No. de fabr. /

GRUPPE: 3.0 MOTOR
GROUP: 3.0 MOTOR
GROUPE: 3.0 MOTEUR

A3

HD 890 S

GRUPPE: 3.0 MOTOR
GROUP: 3.0 MOTOR
GROUPE: 3.0 MOTEUR



Symbolbeschreibung siehe M16 / symbol description see M16 / désignation de système voir M16 /

GRUPPE: 3.1 SCHUTZSCHALTER
GROUP: 3.1 SAFETY SWITCH
GROUPE: 3.1 DISJONCTEUR DE PROTECTION

C3

HD 890 S

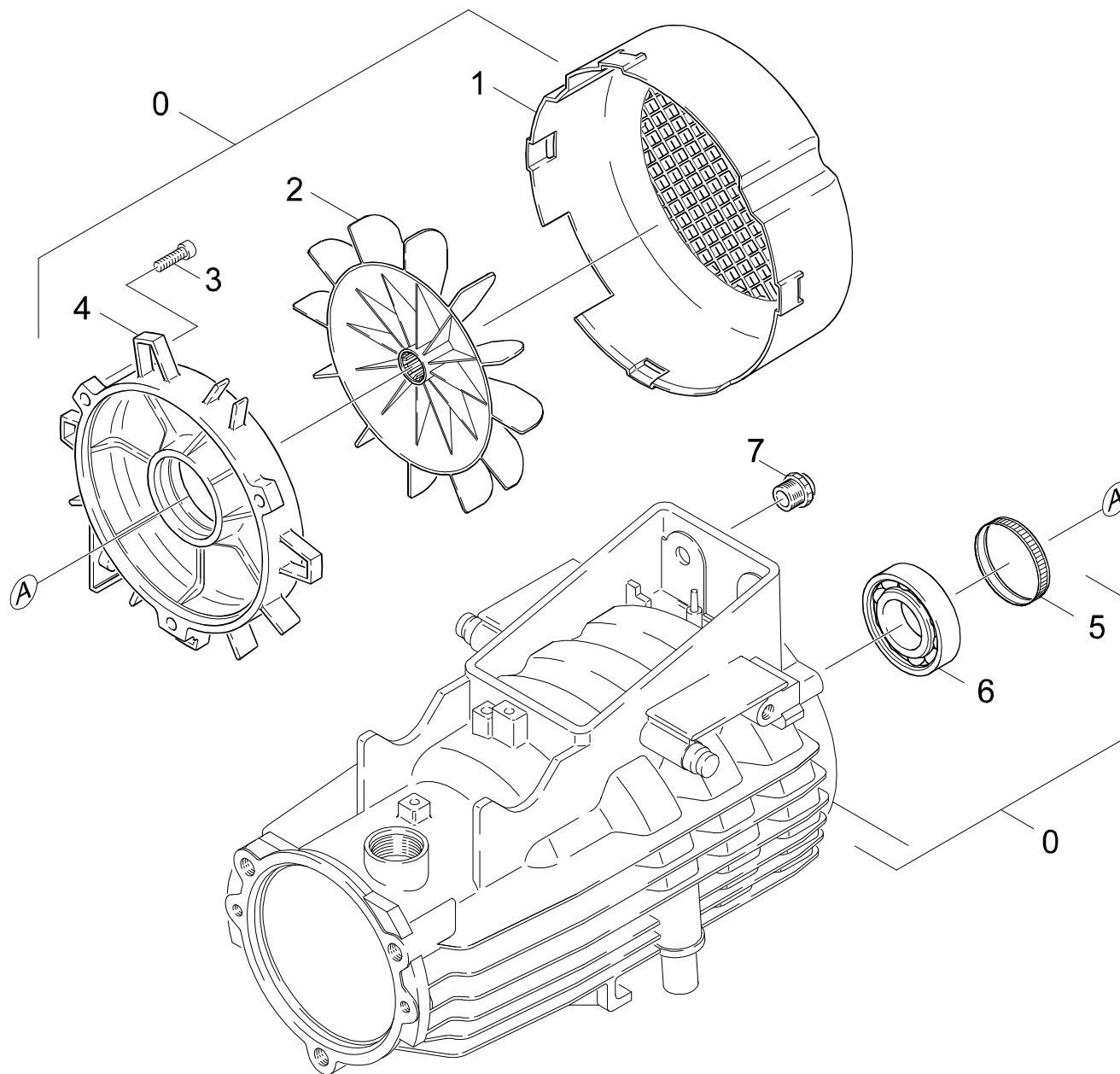
| POS. ITM. POS. | BENNENUNG DESCRIPTION DESIGNATION | TEILE-NR. PART-NO. NO.PIECE | STCK QTY. NBR. |
|--|---|-----------------------------------|----------------------|
| 1 | STOPFEN / PLUG / BOUCHON | 5.132-010.0 | 1 |
| 2 | GRIFF / HANDLE / POIGNEE | 5.321-097.0 | 1 |
| 3 | SICHERUNGSFEDER / RETAINING SPRING / RESSORT D'ARRET | 6.313-003.0 | 1 |
| 4 | DICHTRING / JOINT RING / BAGUE D'ETANCHEITE | 5.363-135.0 | 1 |
| 5 | LINSENSCHR. M 4X 22 / OVAL HEAD SCREW / VIS A TETE BOMBEE | 7.309-016.0 | 2 |
| 6 | HAUBE / COVER / CAPOT | 5.066-210.0 | 1 |
| 7 | MOOSGUMMISCHNUR 4 / CELLULAR RUBBER CORD / CORDON EN CAOUTCHOUC CELL | 6.273-070.0 | 1 |
| ALS METERWARE BESTELLEN/TO ORDER AS CUT GOODS/COMMANDE COMME MARCHANDISE AU METRE | | | |
| 8 | MOTORSCHUTZSCHALTER / MOTOR PROT. SWITCH / RELAIS (MOTEUR) | 6.631-196.0 | 1 |
| 9 | ERDUNGSSCHR. M5X 16 / SCREW / VIS MIS A TERRE | 6.303-130.0 | 1 |
| 10 | KLEMMSCHEIBE 5 / CLAMPIUNG DISC / DISQUE DE SERRAGE | 6.641-708.0 | 1 |
| 11 | GETRIEBEOEL 1L / GEAR LUBRICANT OIL / HUILE A ENGRENAGES | 6.288-016.0 | 1 |
| 12 | SCHNEIDSCHR. M4X 20 / SELF-TAPPING SCREW / VIS AUTOTARAUDEUSE | 6.303-067.0 | 1 |

"=> xxxxxx" = bis Werknummer / up to serial No. / jusqu' au No. de fabr. / "xxxxxx =>" = ab Werknummer / from serial No. / a partir du No. de fabr. /

GRUPPE: 3.2 LUEFTUNG
GROUP: 3.2 VENTILATION
GRUPPE: 3.2 VENTILATION

D3

HD 890 S



Symbolbeschreibung siehe M16 / symbol description see M16 / désignation de système voir M16 /

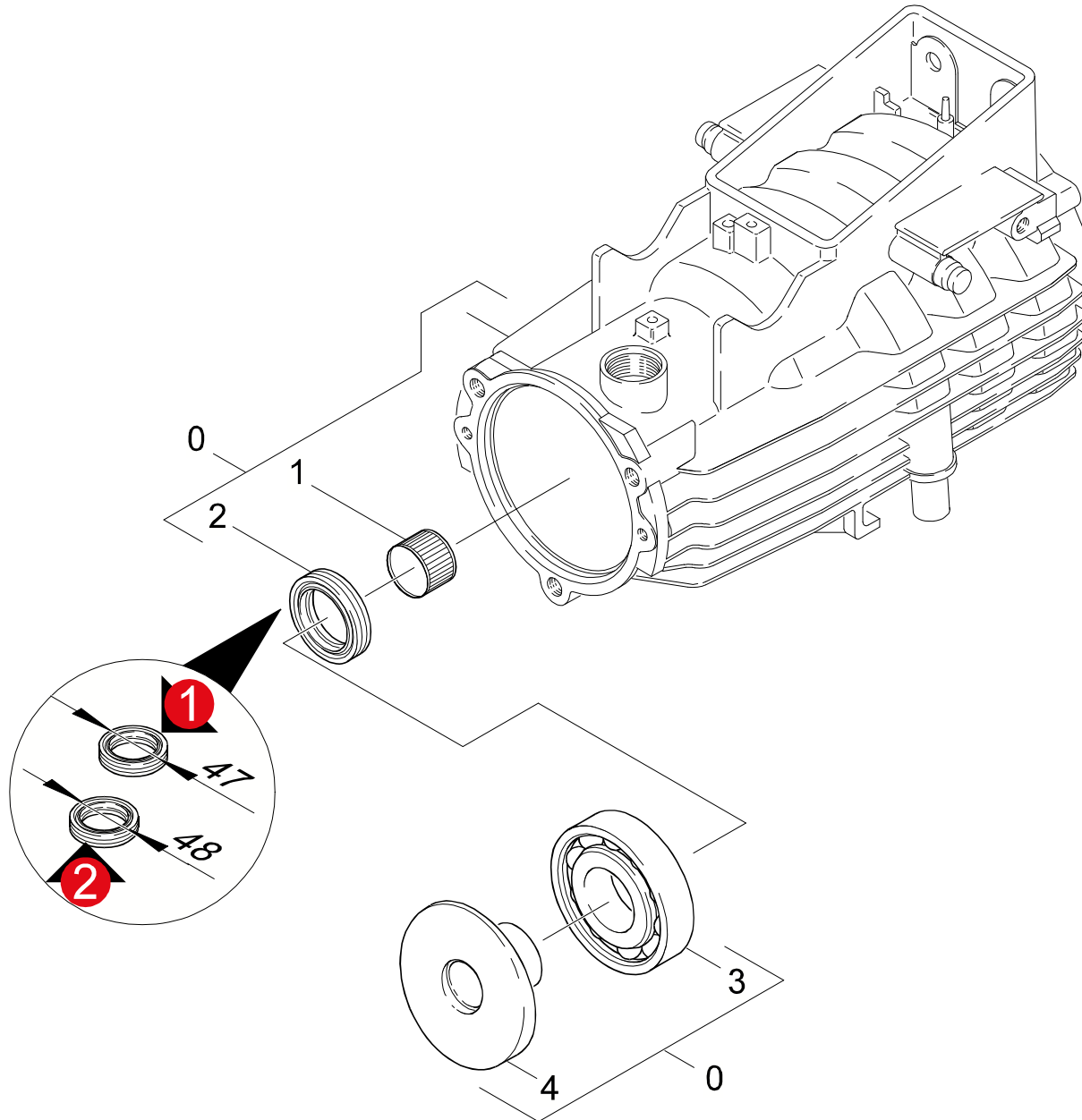
GRUPPE: 3.2 LUEFTUNG
GROUP: 3.2 VENTILATION
GRUPPE: 3.2 VENTILATION

E3

HD 890 S

| POS. | BENNENNUNG | TEILE-NR. | STCK |
|------|---|-------------|------|
| ITM. | DESCRIPTION | PART-NO. | QTY. |
| POS. | DESIGNATION | NO.PIECE | NBR. |
| 0 | MOTOR KPL. / MOTOR / MOTEUR | 4.623-251.0 | 1 |
| 1 | LUFTFUEHRUNG / AIR CIRCULATION / ALIMENTATION (AIR) | 5.692-019.0 | 1 |
| 2 | LUEFTERRAD / BLOWER WHEEL / ROUE DE VENTILATEUR | 5.600-020.0 | 1 |
| 3 | SCHRAUBE M 6X 20 / SCREW / VIS | 7.303-048.0 | 3 |
| 4 | DECKEL / COVER / COUVERCLE | 5.063-390.0 | 1 |
| 5 | TOLERANZRING / TOLERANCE RING / BAGUE | 6.343-171.0 | 1 |
| 6 | KUGELLAGER 6204-2Z / BALL BEARING / ROULEMENT A BILLE | 7.401-126.0 | 1 |
| 7 | WUERGENIPPEL PG13,5 / NIPPLE / NIPPLE | 6.647-408.0 | 1 |

"=> xxxxxx" = bis Werknummer / up to serial No. / jusqu' au No. de fabr. / "xxxxxx =>" = ab Werknummer / from serial No. / a partir du No. de fabr. /



Symbolbeschreibung siehe M16 / symbol description see M16 / désignation de système voir M16 /

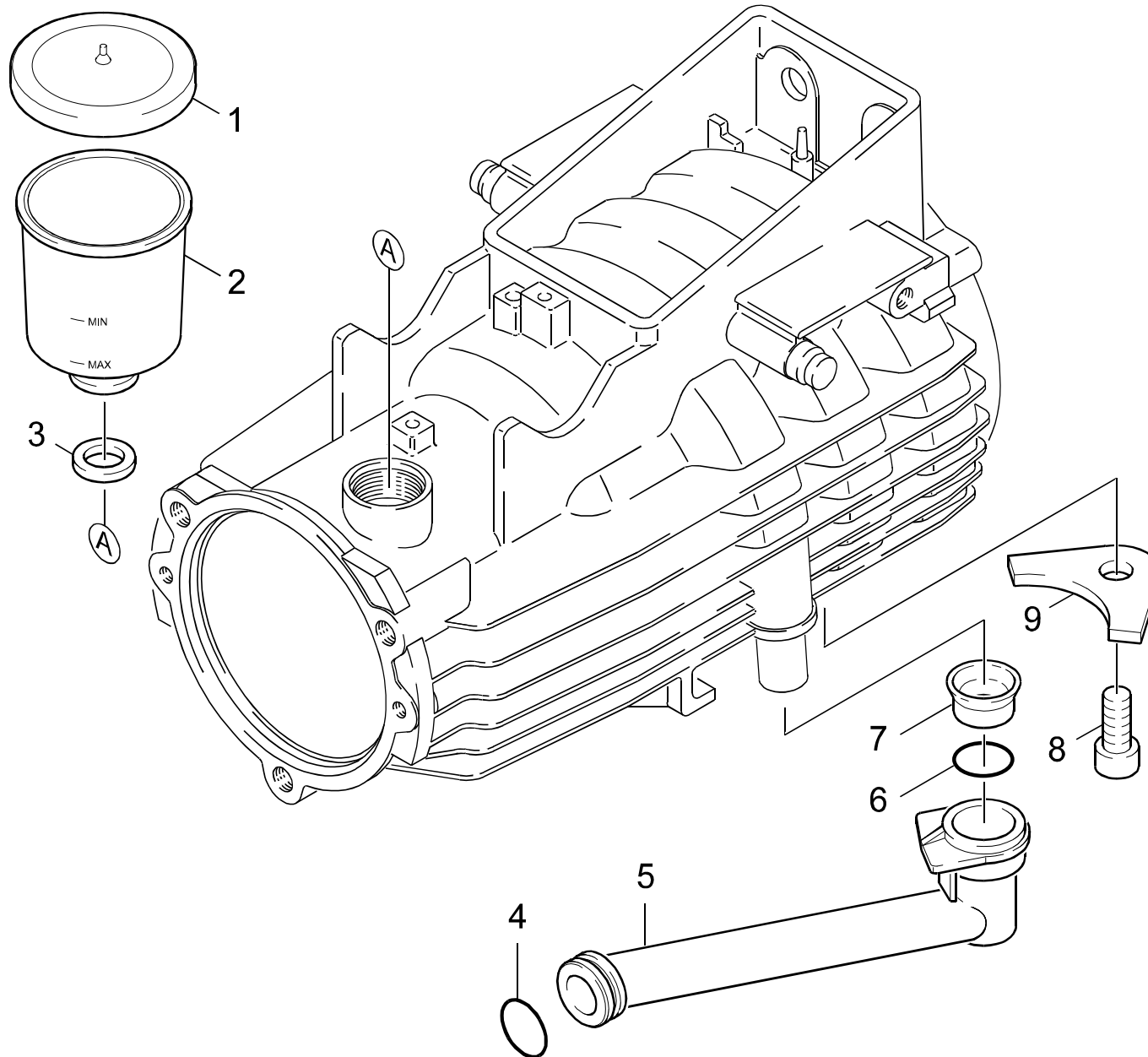
GRUPPE: 3.3 ANTRIEB
GROUP: 3.3 ACTUATION
GRUPPE: 3.3 ENTRAINEMENT

G3

HD 890 S

| POS. | BENNENUNG | TEILE-NR. | STCK |
|------|--|-------------|------|
| ITM. | DESCRIPTION | PART-NO. | QTY. |
| POS. | DESIGNATION | NO.PIECE | NBR. |
| 0 | MOTOR KPL. / MOTOR / MOTEUR | 4.623-251.0 | 1 |
| 1 | TOLERANZRING / TOLERANCE RING / BAGUE | 6.343-024.0 | 1 |
| 2 | RWDR A28X48X8 / ROTARY SHAFT SEAL / JOINT (ARBRE) | 7.367-007.0 | 1 |
| 2 | RWDR A28 X 47 X 7 / ROTARY SHAFT SEAL / JOINT (ARBRE) | 7.367-017.0 | 1 |
| 3 | KUGELLAGER 7307B-TN / BALL BEARING / ROULEMENT A BILLE | 7.401-035.0 | 1 |
| 4 | TAUMELSCHEIBE / SWASH PLATE / DISQUE EN NUTATION | 5.120-241.0 | 1 |

"=> xxxxxx" = bis Werknummer / up to serial No. / jusqu' au No. de fabr. / "xxxxxx =>" = ab Werknummer / from serial No. / a partir du No. de fabr. /



Symbolbeschreibung siehe M16 / symbol description see M16 / désignation de système voir M16 /

GRUPPE: 3.4 EINZELTEILE
GROUP: 3.4 PIECE PARTS
GRUPPE: 3.4 PIECES CONSTITUANTES

13

HD 890 S

| POS. ITM. POS. | BENNENUNG DESCRIPTION DESIGNATION | TEILE-NR. PART-NO. NO.PIECE | STCK QTY. NBR. |
|----------------------|--|-----------------------------------|----------------------|
| 1 | DECKEL / COVER / COUVERCLE | 5.063-249.0 | 1 |
| 2 | BEHAELTER / TANK / BAC | 5.070-048.0 | 1 |
| 3 | O-RING 22,3 X 2,4 / GASKET / BAQUE D'ETANCHEITE | 6.362-168.0 | 1 |
| 4 | O-RING 20,0 X 3,0 / GASKET / BAQUE D'ETANCHEITE | 6.362-686.0 | 1 |
| 5 | KNOTENSTUECK / MANIFOLD / FERRURE NODALE | 5.427-137.0 | 1 |
| 6 | O-RING 17,5 X 3,5 / GASKET / BAQUE D'ETANCHEITE | 6.362-579.0 | 1 |
| 7 | HUELSE / SLEEVE / DOUILLE | 5.110-341.0 | 1 |
| 8 | ZYL.SCHR. M 6X 16 / CHEESE HEAD SCREW / VIS A TETE CYLINDR. | 6.303-135.0 | 1 |
| 9 | BLECHTEIL / PLATE / TOLE | 5.045-415.0 | 1 |

"=> xxxxxx" = bis Werknummer / up to serial No. / jusqu' au No. de fabr. / "xxxxxx =>" = ab Werknummer / from serial No. / a partir du No. de fabr. /

GRUPPE: 4.0 ZUBEHOER
GROUP: 4.0 ACCESSORIES
GRUPPE: 4.0 ACCESSOIRES

A4

HD 890 S

GRUPPE: 4.0 ZUBEHOER
GROUP: 4.0 ACCESSORIES
GRUPPE: 4.0 ACCESSOIRES

Ersatzteile unter www.gluesing.net

GRUPPE: 4.1 HANDSPRITZPISTOLE
GROUP: 4.1 TRIGGER GUN
GROUPE: 4.1 POIGNEE PISTOLET

C4

HD 890 S

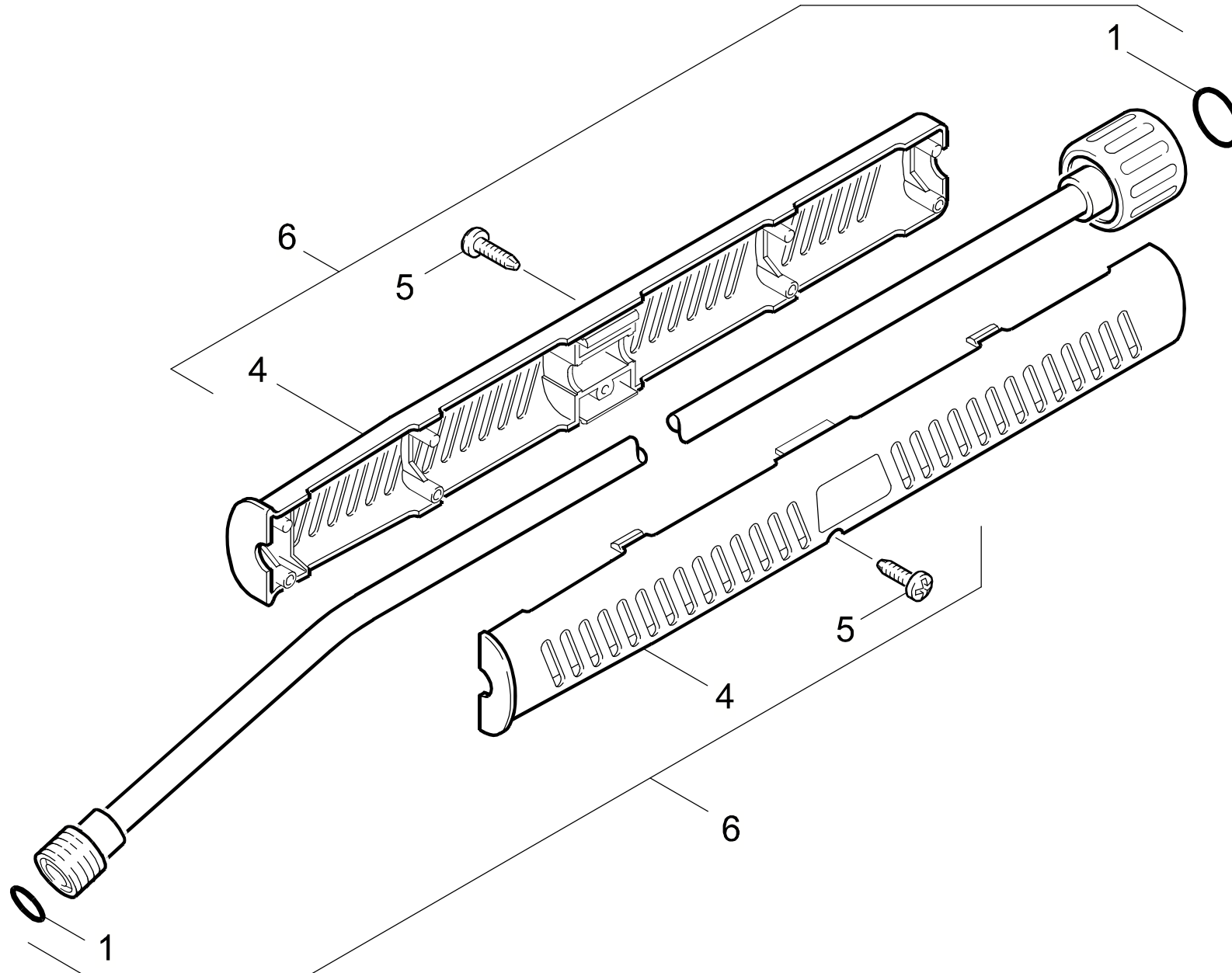
| POS. ITM. POS. | BENNENUNG DESCRIPTION DESIGNATION | TEILE-NR. PART-NO. NO.PIECE | STCK QTY. NBR. |
|----------------------|--|-----------------------------------|----------------------|
| 0 | HANDSPRITZPISTOLE / TRIGGER GUN / POIGNEE PISTOLET | 4.775-080.0 | 1 |
| 1 | LINSENSCHR. 4,2X22 / OVAL HEAD SCREW / VIS A TETE BOMBEE | 6.303-024.0 | 6 |
| 2 | GRIFFPAAR / HANDLES / BRANCHES POIGNEE | 5.321-230.0 | 1 |
| 3 | HEBEL / LEVER / LEVIER | 4.481-050.0 | 1 |
| 4 | HEBEL / LEVER / LEVIER | 5.481-052.0 | 1 |
| 5 | VERSCHLUSSCHRAUBE / CLOSING SCREW / VIS DE FERMETURE | 5.411-067.0 | 1 |
| 6 | SCHRAUBENFEDER / HELICAL SPRING / RESSORT CYLINDRIQUE | 5.332-157.0 | 1 |
| 7 | VENTILTELLER / VALVE DISC / TETE DE SOUPAPE | 5.582-084.0 | 1 |
| 8 | O-RING 12,42X 1,78 / GASKET / BAQUE D'ETANCHEITE | 6.362-584.0 | 1 |
| 9 | GEW.STIFT M 8X 16 / THREADED PIN / VIS SANS TETE | 7.307-417.0 | 1 |
| 10 | STANGE / BAR / TIGE | 5.107-097.0 | 1 |
| 11 | O-RING KPL./1ST.-R. / GASKET / BAQUE D'ETANCHEITE | 6.362-571.0 | 1 |
| 12 | KNOTENSTUECK / MANIFOLD / FERRURE NODALE | 4.427-131.0 | 1 |
| 13 | O-RING 17,12X 2,62 / GASKET / BAQUE D'ETANCHEITE | 6.362-496.0 | 1 |
| 14 | LINSENSCHR. 4,2X16 / OVAL HEAD SCREW / VIS A TETE BOMBEE | 6.303-025.0 | 1 |
| 15 | O-RING KPL./1ST.-R. / GASKET / BAQUE D'ETANCHEITE | 6.363-115.0 | 1 |
| 16 | HD-SCHLAUCH DN6 / HIGH PRESSURE HOSE / TUYAU FLEXIBLE HAUTE PRE. | 6.389-853.0 | 1 |
| 17 | ERSATZTEILSET / SPARE PARTS KIT / KIT DE PIECES | 2.880-296.0 | 1 |
| 100 | ERSATZTEILSET / SPARE PARTS KIT / KIT DE PIECES | 2.883-192.0 | 1 |

"=> xxxxxx" = bis Werknummer / up to serial No. / jusqu' au No. de fabr. / "xxxxxx =>" = ab Werknummer / from serial No. / a partir du No. de fabr. /

GRUPPE: 4.2 STRAHLROHR
GROUP: 4.2 JET PIPE
GRUPPE: 4.2 LANCE D'INCENDIE

D4

HD 890 S



Symbolbeschreibung siehe M16 / symbol description see M16 / désignation de système voir M16 /

GRUPPE: 4.2 STRAHLROHR
GROUP: 4.2 JET PIPE
GROUPE: 4.2 LANCE D'INCENDIE

E4

HD 890 S

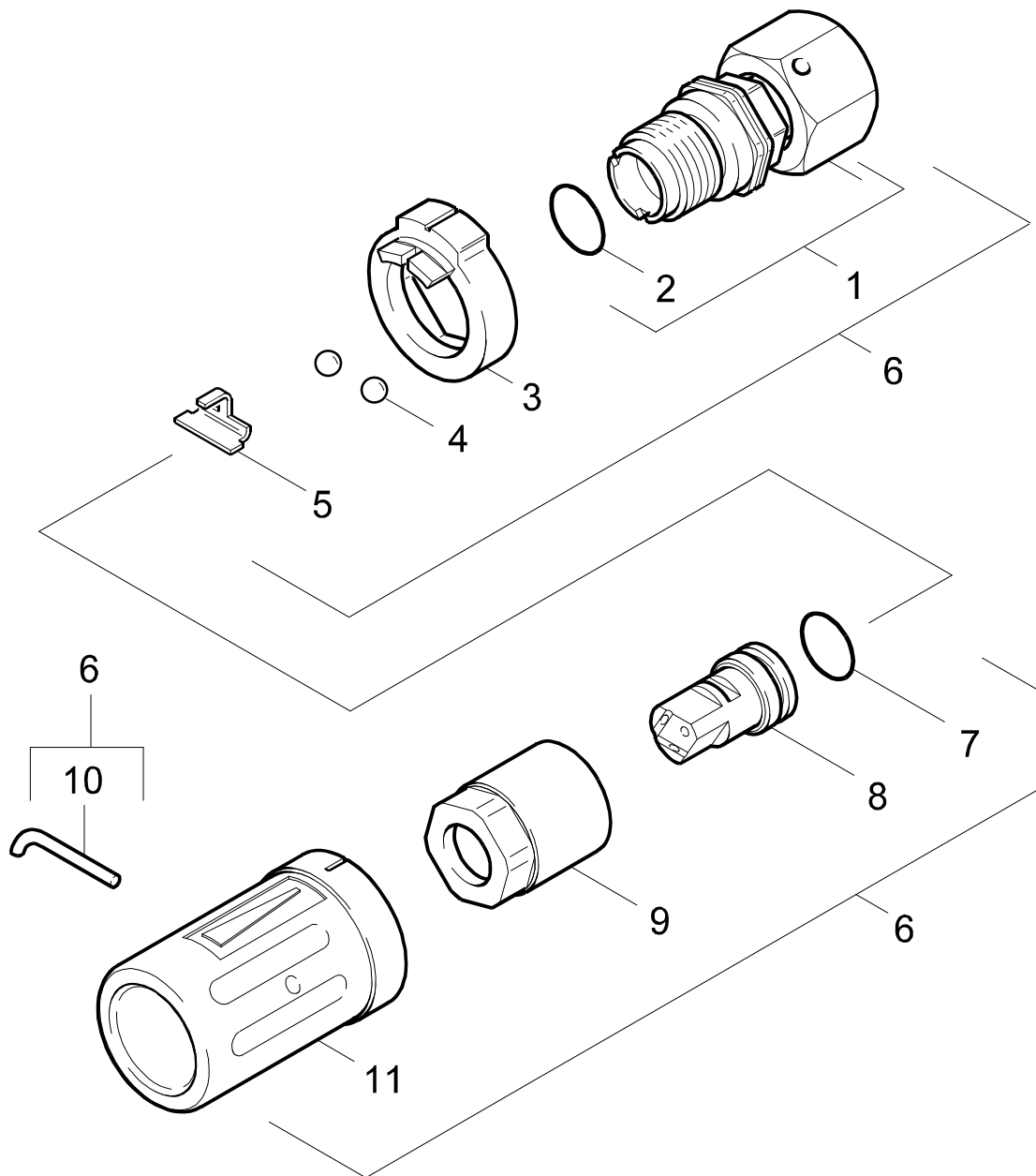
| POS. | BENNENUNG | TEILE-NR. | STCK |
|------|---|-------------|------|
| ITM. | DESCRIPTION | PART-NO. | QTY. |
| POS. | DESIGNATION | NO.PIECE | NBR. |
| 4 | GRIFF / HANDLE / POIGNEE | 5.321-150.0 | 2 |
| 5 | LINSENSCHR. 4,2X16 / OVAL HEAD SCREW / VIS A TETE BOMBEE | 6.303-025.0 | 2 |
| 6 | STRAHLROHR / JET PIPE / LANCE D'INCENDIE | 4.760-184.0 | 1 |
| 100 | ERSATZTEILSET / SPARE PARTS KIT / KIT DE PIECES | 2.883-192.0 | 1 |

"=> xxxxxx" = bis Werknummer / up to serial No. / jusqu' au No. de fabr. / "xxxxxx =>" = ab Werknummer / from serial No. / a partir du No. de fabr. /

GRUPPE: 4.3 DUESE
GROUP: 4.3 NOZZLE
GRUPPE: 4.3 BUSE

F4

HD 890 S



Symbolbeschreibung siehe M16 / symbol description see M16 / désignation de système voir M16 /

GRUPPE: 4.3 DUESE
GROUP: 4.3 NOZZLE
GROUPE: 4.3 BUSE

G4

HD 890 S

| POS. ITM. POS. | BENNENUNG DESCRIPTION DESIGNATION | TEILE-NR. PART-NO. NO.PIECE | STCK QTY. NBR. |
|----------------------|---|-----------------------------------|----------------------|
| 1 | SCHRAUBSTUTZEN / SCREW UNION / RACCORD FILETE | 4.402-042.0 | 1 |
| 2 | O-RING 14,0 X 2,5 / GASKET / BAQUE D'ETANCHEITE | 6.362-460.0 | 1 |
| 3 | FORMTEIL / MOULDED PART / PREFORME | 5.030-528.0 | 1 |
| 4 | KUGEL 5,0 KL3 / BALL / BOULE | 7.401-902.0 | 2 |
| 5 | HALTER / BRACKET / FIXATION | 5.042-405.0 | 1 |
| 6 | DREIFACHDUESE 055 / TRIPLE JET NOZZLE / GICLEUR TRIPLE | 4.763-107.0 | 1 |
| 7 | O-RING 12,42X 1,78 / GASKET / BAQUE D'ETANCHEITE | 6.362-480.0 | 1 |
| 8 | DREISTRAHLDUESE 055 / TRIPLE JET NOZZLE / GICLEUR TRIPLE | 6.415-485.0 | 1 |
| 9 | 6KT-MUTTER / HEXAGON NUT / ECROU HEXAGONAL | 5.311-117.0 | 1 |
| 10 | HAKEN / HOOK / PATERE | 5.037-059.0 | 1 |
| 11 | SCHUTZTEIL / PROTECTION PART / PARTIE PROTECTEUR | 5.394-269.0 | 1 |

"=> xxxxxx" = bis Werknummer / up to serial No. / jusqu' au No. de fabr. / "xxxxxx =>" = ab Werknummer / from serial No. / a partir du No. de fabr. /

Bestellhinweis

Bei Ihrer Bestellung sind unbedingt anzugeben :

| 1. | 2. | 3. | 4. | 5. |
|--|--|---|------------------------------------|------------------------------------|
| Gerätetyp Machine model Type d'appareils | Herstell-Nr. Serial-No. No. de série | Benennung Description Désignation | Teile-Nr. Part No. Référence | Stückzahl Piece No. Quantité |



**siehe Typenschild
see name-plate
voir plaque signalétique**



**siehe Ersatzteilliste
see spare parts list
voir liste des pièces de rechange**

- Die Ersatzteile, welche als Meterware geliefert werden, sind auf Einbaulänge selbst zu kürzen. Ebenso sind die Stückzahlen in den jeweiligen Gruppen als Mindestbestellmengen = 1m angegeben und können je nach Bedarf auf weitere volle Meterzahlen erhöht und bestellt werden.
- Spare Parts which are delivered as cut goods have to be shortened to installation length. The quotation of quantity in each group refers to the minimum order quantity = 1m and may be ordered and raised to further full metre-values according to demand
- Les pièces de rechange qui sont livrées comme marchandise au mètre sont à raccourcir selon la longueur d'installation. Les indications de quantité dans chaque group se réfèrent à des valeurs de mètre de plus.
- Diese Ersatzteilliste erscheint in gedruckter Form sowie als Mikrofiche. Bei Querverweisen bezieht sich die Angabe "Seitenzahl" auf die gedruckte Ersatzteilliste und die Angabe "Bildtafel" auf die Mikrofilmausgabe.
- This spare parts list is published both in printed form and as a microfiche. In the cross-references, "page number" refers to the printed spare parts list and "display table" to the microfilm edition.
- Cette liste de pièces de rechange est aussi bien imprimée que publiée sous forme de microfiche. Les indications transversales renvoient au "numéro de page" sur la liste imprimée des pièces de rechange et à la "planche" sur la microfiche.

Bitte beachten Sie, daß der Teileumfang dieser Ersatzteilliste nicht unbedingt dem Lieferumfang Ihres Gerätes entspricht.

For your information: It could be that certain parts quoted in this spare parts list were not included with the machine delivery.

Pour votre information: il se peut que certaines pièces détachées mentionnées sur la liste ne vous aient pas été livrées avec l'appareil.

Die in dieser Ersatzteilliste nicht aufgeführten Einzelteile, bestellen Sie bitte direkt beim Vertragskundendienst des jeweiligen Herstellers.

Please order the individual parts not included in this assembly directly with the contract aftersales service of the manufacturer in question.

Veillez s'il vous plaît, commander les pièces détachées qui ne sont indiquées dans notre liste des pièces détachées, directement auprès du service après-vente des fabricants en question.

Bei Bestellung von lackierten Teilen, welche in der Ersatzteilliste nicht in verschiedenen Farben ausgewiesen sind, ist zusätzlich die Farbnummer oder Farbe mit anzugeben. Diese finden Sie auf dem Typenschild oder Farbschild Ihres Gerätes.

Upon ordering of varnished parts which are not mentioned in the spare parts list as parts with different colors, kindly additionally mention the number of the color. It can be seen on the type plate of the color plate of your machine.

Commandant des parts vernissés qui ne sont pas mentionnés comme parts avec une couleur différente dans la liste des pièces détachées, veuillez mentionner de plus le numéro de la couleur. Il se trouve sur la plaque signalétique ou la plaque de couleur de votre machine.

Auflistungen von Einzelteilen bei Ersatzteil - u. Pumpensets sind in der Reihe "16" einzusehen, bzw. direkt unter dem entsprechenden Set aufgelistet.

Listings of single parts upon spare parts kits and pump kits can be seen in row "16" or directly listed below the corresponding kit.
Des établissements des pièces détachées en ce qui concerne les kits des pièces de rechange et les kits de pompes, peuvent être vus à la ligne "16" ou ils sont répertoriés directement au-dessous du jeu correspondant.

Technische Änderungen im Rahmen der Weiterentwicklung sowie das Recht der ausschließlichen Auswertung unseres geistigen Eigentums behalten wir uns vor. Vervielfältigung und Nachdruck nur mit Genehmigung und Urheberhinweis möglich.

We reserve the right to make technical changes in the course of development work and the right to make exclusive use of our intellectual property. This spare parts list may be duplicated or reprinted only with our approval and with acknowledgement of our copyright.

Nous nous réservons le droit de toutes modifications techniques dans le cadre du perfectionnement des mises au point ainsi que le droit de la mise en valeur exclusive de notre propriété intellectuelle. Polycopie et reproduction exclusivement après accord et avec mention de l'auteur.

| | | |
|---------|-----------------------------|-------|
| GRUPPE: | 1.0 EINZELTEILE | A1-G1 |
| GROUP: | 1.0 PIECE PARTS | |
| GRUPPE: | 1.0 PIECES CONSTITUANTES | |
| GRUPPE: | 2.0 PUMPENSATZ | A2-K2 |
| GROUP: | 2.0 PUMP SET | |
| GRUPPE: | 2.0 JEU (ENSEMBLE) DE POMPE | |
| GRUPPE: | 3.0 MOTOR | A3-I3 |
| GROUP: | 3.0 MOTOR | |
| GRUPPE: | 3.0 MOTEUR | |
| GRUPPE: | 4.0 ZUBEHOER | A4-G4 |
| GROUP: | 4.0 ACCESSORIES | |
| GRUPPE: | 4.0 ACCESSOIRES | |

Ersatzteile unter www.gluesing.net



BEISPIEL: VERSION 1
 EXAMPLE: VERSION 1
 EXEMPLE: VERSION 1



BEISPIEL: SIEHE IN GRUPPE 3
 EXAMPLE: SEE IN GROUP 3
 EXEMPLE: VOIR EN GROUPE 3



WICHTIGER HINWEIS
 IMPORTANT REMARK
 REMARCAQUAGE IMPORTANT

BESTELLHINWEIS SIEHE M15
 EXAMPLE ORDER SEE M15
 EXEMPLE DE COMMANDE VOIR M15

VARIANTENÜBERSICHT SIEHE L16
 VARIANTS SURVEY SEE L16
 VUE D'ENSEMBLE DE VARIANTS VOIR L16