



**KÄRCHER**

**A 1**

**HDS 1590**

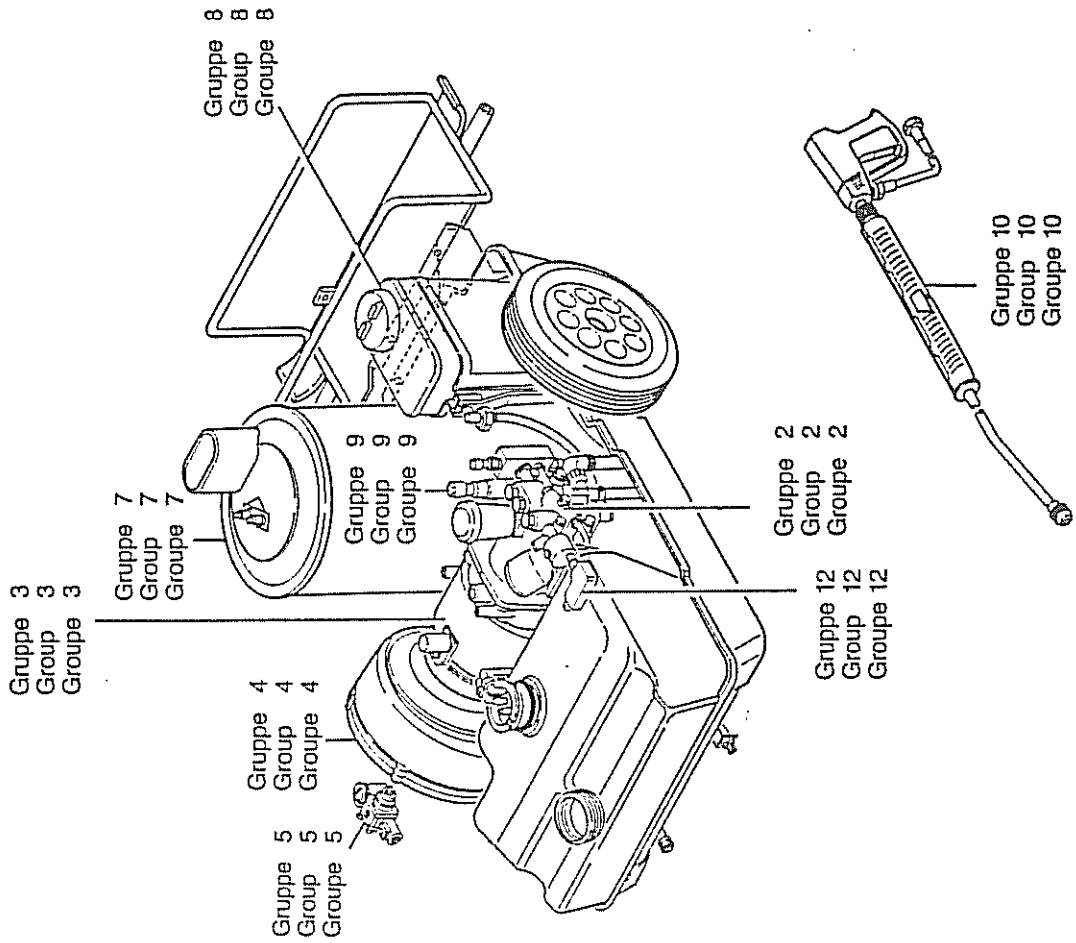
**Gruppe 1: Einzelteile**  
**Group 1: Component Parts**  
**Groupe 1: Pièces détachées**

1.884-01.01.001

Gruppe 1: Einzelteile  
Group 1: Component Parts  
Groupe 1: Pièces détachées

B 1

HDS 1590

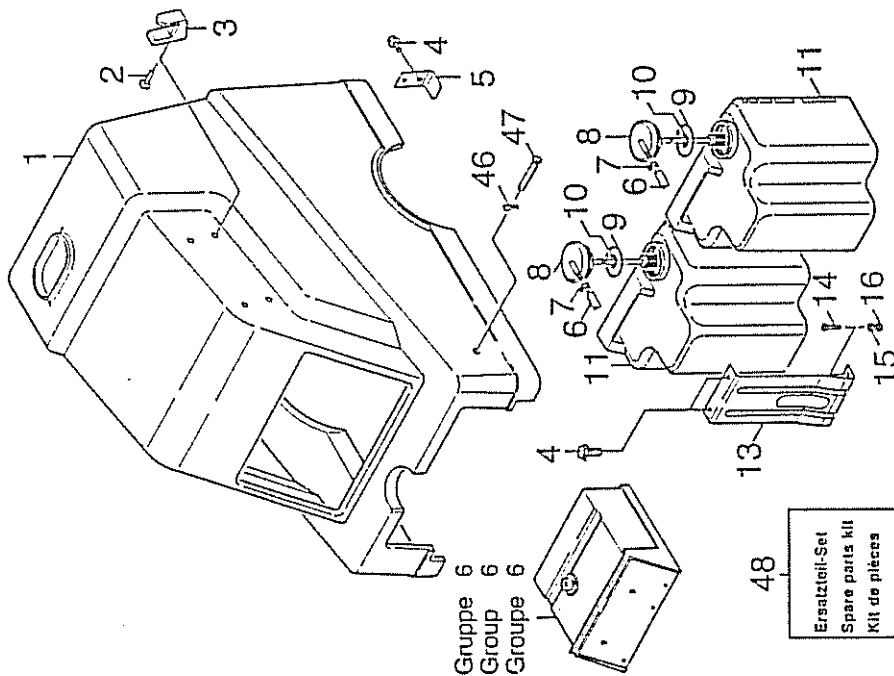


1.844-0102.001

Gruppe 1: Einzelteile  
 Group 1: Component Parts  
 Groupe 1: Pièces détachées

C1

HDS 1590



Pos. Item Pos.	Benennung Description Designation	Teile-Nr. Part-No. No. piece	Stück Qty. Nbr.
1	Haube/ Cover/ Capot	5.066-421.0	1
2	Linsensch. 5,0x20/ Oval Head Screw/ Vis A Tete Bombée	6.303-125.0	8
3	Halter/ Holder/ Fixation	5.042-545.0	4
4	Gewindefurchsch. / Screw/ Vis	6.303-134.0	2
5	Halter/ Holder/ Fixation	5.042-546.0	2
6	Schlauch Mw 7/ Hose/ Tuyau Flexible	6.388-225.0	4m
7	Schlauchschelle/ Hose Band Clip/ Collier de Serrage	6.388-559.0	2
8	Formteil/ Moulded Part/ Preforme	5.030-355.0	2
9	O-Ring 80,0x4,5/ O-Ring/ Joint Torique	6.362-491.0	2
10	O-Ring 47,0x4,5/ O-Ring/ Joint Torique	6.362-490.0	2
11	Tank/ Tank/ Reservoir	5.071-027.0	2
13	Ständer/ Stand/ Montants	5.052-026.0	1
14	6kt-Schr. M 8x16/ Hexagonal Head Scre/ Vis 6 Pans	7.304-395.0	9
15	Federring 8 8/ Spring Washer/ Rondelle Grower	7.313-004.0	1
16	6kt-Mutter M 8/ Hexagon Nut/ Ecrou Hexagonal	7.311-004.0	9
46	Sicherung/ Fuse/ Fusible	6.343-006.0	2
47	Bolzen/ Bolt/ Boulon	6.373-322.0	2
48	Ersatzteilset siehe Bildtafel J16/K16 / Spare Parts Kit see Board J16/K16 / Kit de Pieces see Tableau J16/K16	2.883-018.0	1



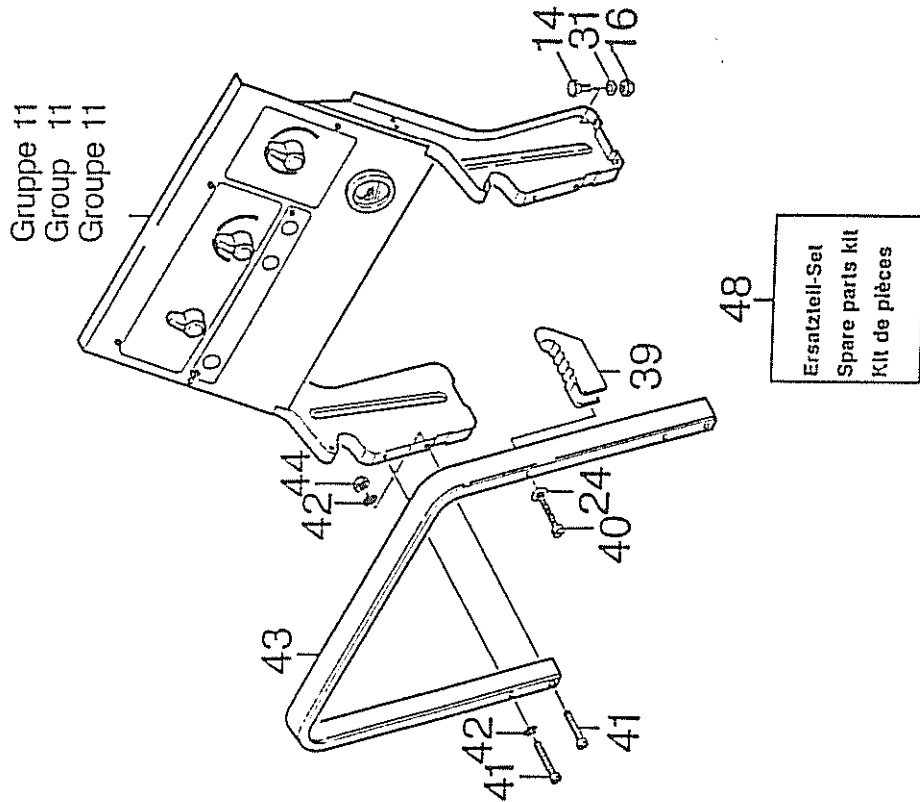
1.894.01.03.001

Gruppe 1: Einzelteile  
 Group 1: Component Parts  
 Groupe 1: Pièces détachées

# D 1

# HDS 1590

Pos. Item Pos.	Benennung Description Designation	Teil-Nr. Part-No. No. piece	Stück Qty. Nbr.
14	6kt-Schr. M 8x16/ Hexagonal Head Scre/ Vis 6 Pans	7.304-395.0	9
16	6kt-Mutter M 8/ Hexagon Nut/ Ecrou Hexagonal	7.311-004.0	9
24	Federring B 6/ Spring Washer/ Rondelle Grower	7.313-003.0	4
31	Zahnscheibe A 8,4/ Lock Washer/ Roue Plate	7.312-159.0	8
39	Halter/ Holder/ Fixation	5.042-253.0	2
40	B1.schr. St5,5x55,0/ Sheet Metal Screw/ Vis A Tole	6.305-005.0	2
41	Zyl.schr. M 6x50/ Cheese Head Screw/ Vis A Tete Cylindr.	7.306-511.0	4
42	Zahnscheibe A 6,4/ Lock Washer/ Roue Plate	7.312-167.0	4
43	Griff/ Handle/ Poignee	5.321-121.0	1
44	6kt-Mutter M 6/ Hexagon Nut/ Ecrou Hexagonal	7.311-425.0	4
48	Ersatzteilset siehe B11tdtafel J16/K16 / Spare Parts Kit see Board J16/K16 / Kit de Pieces see Tableau J16/K16	2.883-018.0	1

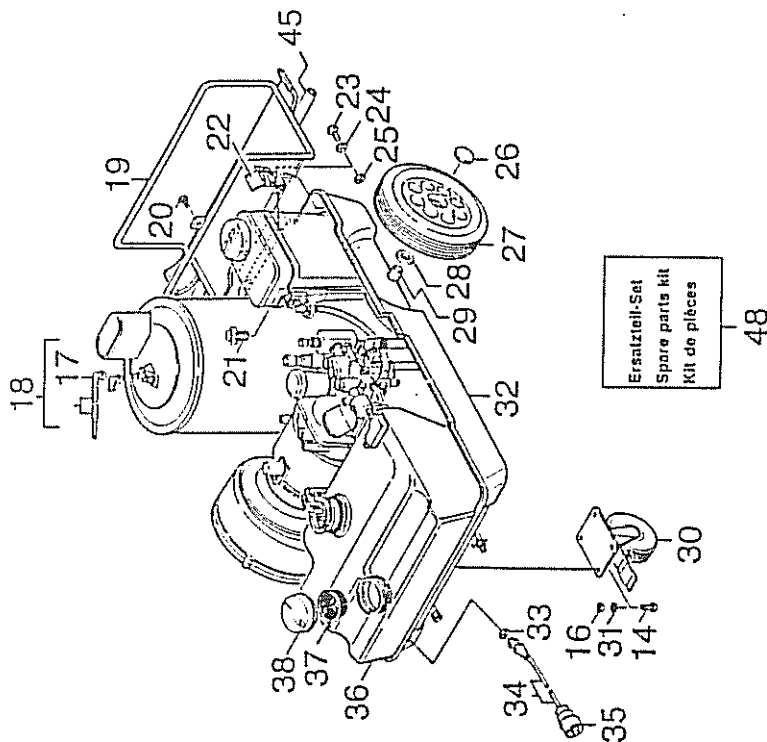


Gruppe 1: Einzelteile  
 Group 1: Component Parts  
 Groupe 1: Pièces détachées

E1

HDS 1590

Pos.	Benennung Item Description Pos. Designation	Teile-Nr. Part-No. No. piece	Stück Qty. Nbr.
14	6kt-Schr. M 8x16/ Hexagonal Head Scre/ Vis 6 Pans	7.304-395.0	9
16	6kt-Mutter M 8/ Hexagon Nut/ Ecrou Hexagona	7.311-004.0	9
17	Kerzenstecker/ Spark Plug Socket/ Cosse de Bougie	6.618-057.0	2
18	Zuendkabel 1/ Ignition Cable/ Fil D'amorce	6.641-177.0	3m
19	Halter/ Holder/ Fixation	4.042-494.0	1
20	Schneidschr. M8x12/ Self-Tapping Screw/ Vis Autotaraudeuse	6.303-035.0	1
21	Schneidschr. M8x 16/ Self-Tapping Screw/ Vis Autotaraudeuse	6.303-031.0	2
22	Halter/ Holder/ Fixation	5.042-320.0	1
23	6kt-Schr. M 6x10/ Hexagonal Head Scre/ Vis 6 Pans	7.304-381.0	2
24	Federring B 6/ Spring Washer/ Rondelle Grower	7.313-003.0	4
25	6kt-Mutter M 6/ Hexagon Nut/ Ecrou Hexagona	7.311-003.0	2
26	Schnellbefestiger/ Quick-Fastener/ Attache Rapide	6.343-137.0	2
27	Scheibenrad D310/ Web Disc Wheel/ Roue Pleine	6.435-148.0	2
28	Huelse/ Bush/ Douille	5.110-358.0	2
29	Achse/ Shaft/ Essieu	5.105-115.0	1
30	Lenkrolle 140/ Castor/ Roue Pivotante	6.435-071.0	1
31	Zahnscheibe A 8,4/ Lock Washer/ Roue Plate	7.312-159.0	8
32	Rahmen/ Frame/ Cadre	5.050-005.0	1
33	Gegenmutter Pg13,5/ Counternut/ Contre-Ecrou	6.641-480.0	1
34	Kabel 4x2,5/ Cable/ Cable	4.820-212.0	1



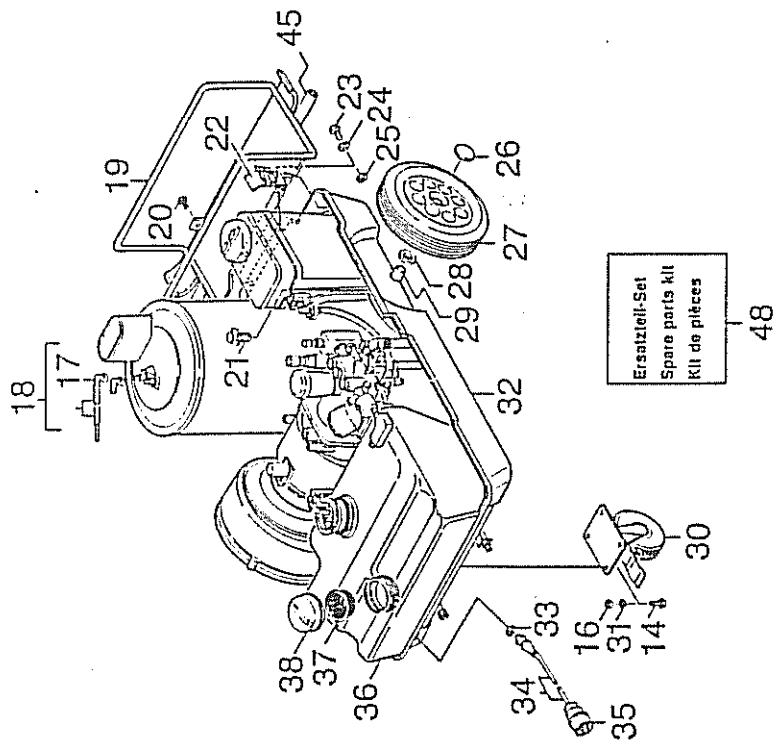
1894-01.05.004

Gruppe 1: Einzelteile  
 Group 1: Component Parts  
 Groupe 1: Pièces détachées

F 1

HDS 1590

Pos. Item Pos.	Benennung Description Designation	Teil-Nr. Part-No. No. Piece	Stück Qty. Nbr.
35	Cee-Stecker 16a/ Cee-Plug/ Cee-fiche	6.646-030.0	1
36	Tank/ Tank/ Reservoir	5.071-024.0	1
37	Sieb D 70/ Strainer/ Crepine	6.414-275.0	1
38	Deckel/ Cover/ Couvercle	5.063-217.0	1
45	Schlauchstueck/ Hose/ Bout de Tuyau	5.442-666.0	2
48	Ersatzteilset siehe Bildtafel J16/K16 / Spare Parts Kit see Board J16/K16 / Kit de Pieces see Tableau J16/K16	2.883-018.0	1



1.891-01.06.001



A 2

HDS 1590

Gruppe 2: Pumpensatz  
Group 2: Pump Unit  
Groupe 2: Moto-pompe

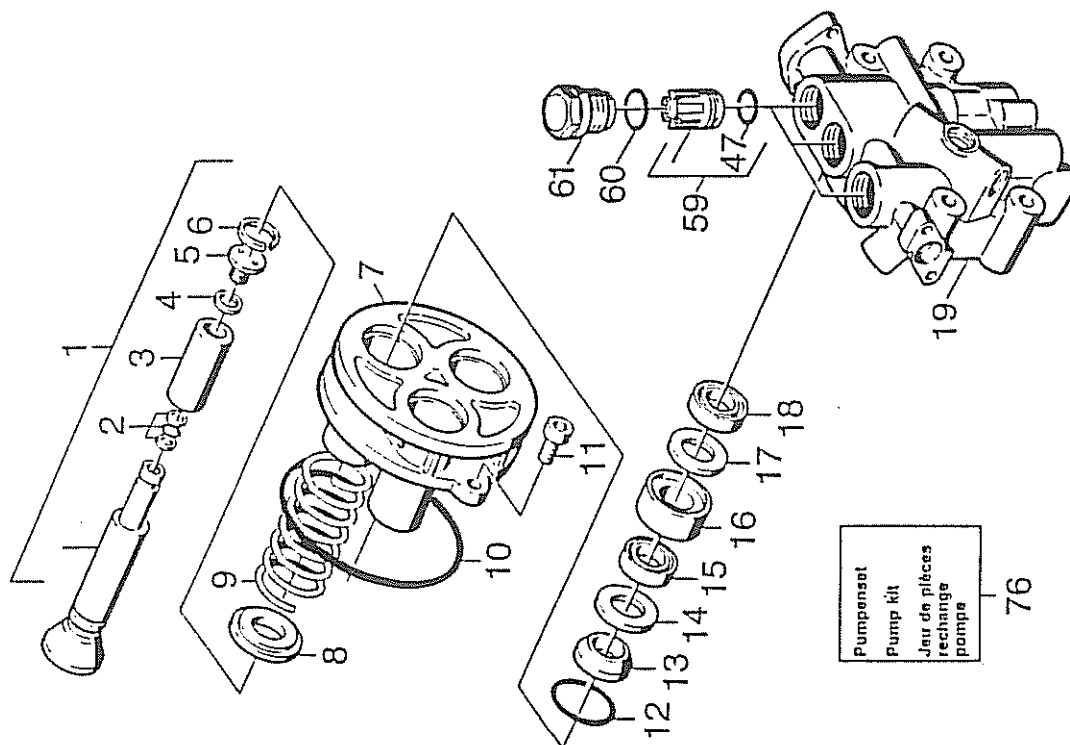
1.801-02.01.004

Gruppe 2: Pumpensatz  
 Group 2: Pump Unit  
 Groupe 2: Moto-pompe

**B 2**

**HDS 1590**

Pos. Benennung Item Description Pos. Designation	Teile-Nr. Part-No. No. piece	Stück Qty. Nbr.
1 Kolben Komplet/ Piston	4.553-119.0	3
2 O-Ring Kpl./1st.-R./ O-Ring/ Joint Torique	6.362-365.0	3
3 Keramikhülse/ Ceramic Pod/ Douille Ceramique	5.110-369.0	3
4 Dichttring/ Gasket/ Bague D'etancheite	5.363-228.0	3
5 Formschraube/ Screw/ Vis	5.305-178.0	1
6 Sprengring 24/ Spring Ring/ Circlip	6.343-144.0	3
7 Gehäuse/ Housing/ Carter	5.060-375.0	1
8 Scheibe/ Washer/ Rondelle	5.115-315.0	3
9 Schraubenfeder/ Helical Spring/ Ressort Cylindrique	5.332-187.0	3
10 O-Ring 115,0x1,78/ O-Ring/ Joint Torique	6.362-447.0	1
11 Zyl.schr. M 8x20/ Cheese Head Screw/ Vis A Tete Cylindr.	7.306-041.0	2
12 O-Ring 40,0x2,0/ O-Ring/ Joint Torique	6.362-216.0	3
13 Nutring 24x34x6/8/ Grooved Ring/ Joint En U A Levres	6.365-068.0	3
14 Scheibe/ Washer/ Rondelle	5.115-459.0	3
15 Kompaktdf. 24x36x7/ Seal / Joint	6.365-069.0	3
16 Buchse/ Bush/ Douille	5.112-373.0	3
17 Scheibe/ Washer/ Rondelle	5.115-307.0	3
18 Nutring 24x34/ Grooved Ring/ Joint En U A Levres	6.365-067.0	3
19 Zylinderkopf/ Cylinder Head/ Culasse	5.550-136.0	1
47 O-Ring Kpl./1st.-R./ O-Ring/ Joint Torique	6.362-517.0	6
59 Ventil Kpl. Natur/ Valve/ Soupape	4.580-140.0	3
60 O-Ring 21,95x1,78/ O-Ring/ Joint Torique	6.362-518.0	3
61 Ventilschraube/ Valve Screw/ Vis Pointeau (Soup.	5.583-071.0	3
76 Pumpenset siehe Bildtafel H16 / Pump Set see Board H16 / Groupe de Pompes voir Tableau H16	2.880-392.0	1



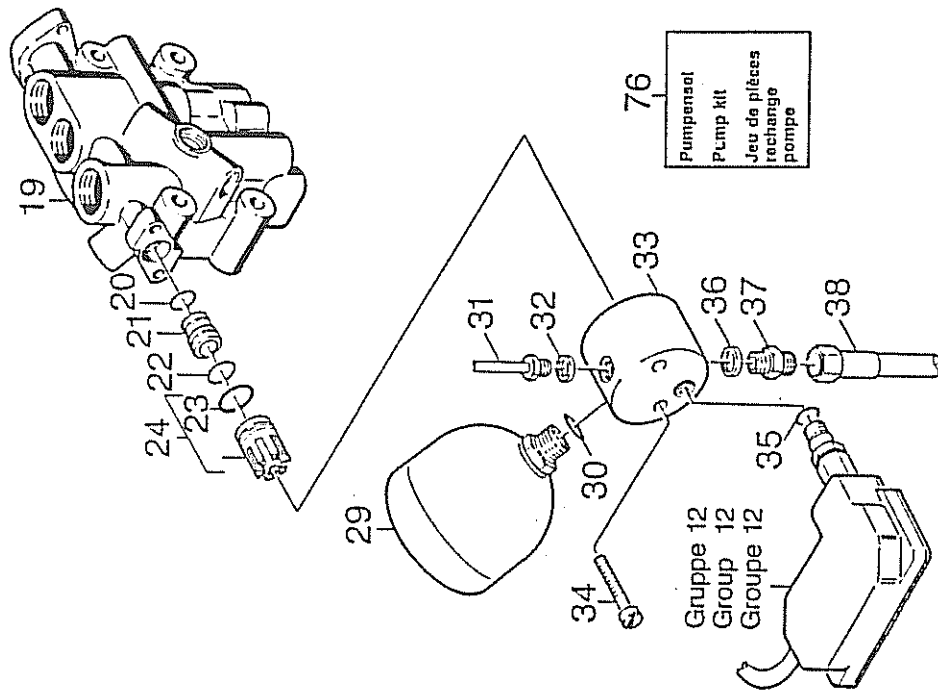
1.891-02.02.001



Gruppe 2: Pumpensatz  
 Group 2: Pump Unit  
 Groupe 2: Moto-pompe

C 2

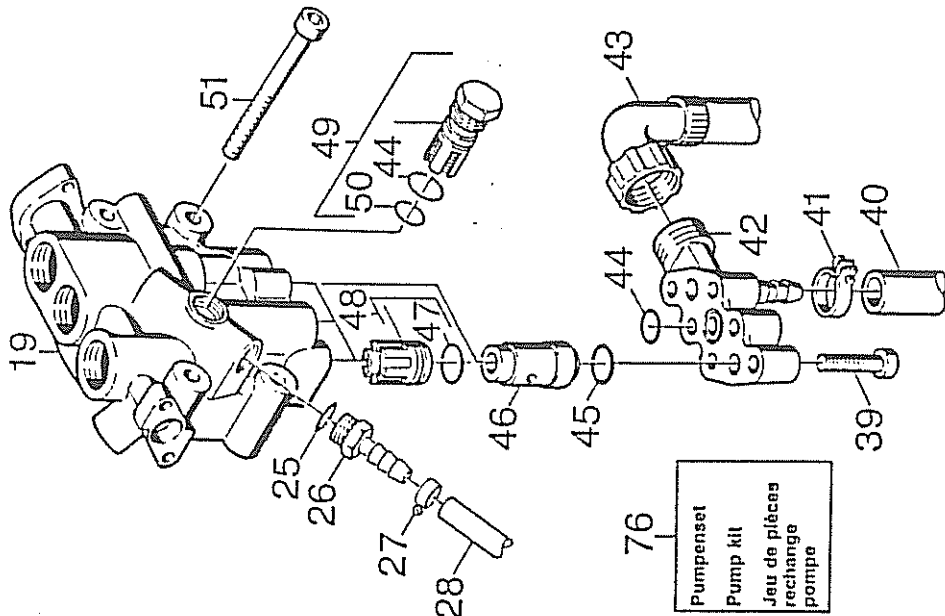
HDS 1590



Pos. Benennung Item Description Pos. Designation	Teile-Nr. Part-No. No. piece	Stück Qty. Nbr.
19 Zylinderkopf/ Cylinder Head/ Culasse	5.550-136.0	1
20 O-Ring 14,0x2,0/ O-Ring/ Joint Torique	6.362-481.0	1
21 Huelse/ Bush/ Douille	5.110-422.0	1
22 O-Ring 16,0x2,4/ O-Ring/ Joint Torique	6.362-445.0	3
23 O-Ring 17,0x2,0/ O-Ring/ Joint Torique	6.362-580.0	1
24 Ventil Kpl./ Valve/ Soupape	4.580-200.0	1
29 Druckspeicher/ Pulsation Damper/ Anti-Belief	6.505-034.0	1
30 O-Ring 6,07x1,78/ O-Ring/ Joint Torique	6.362-176.0	1
31 Hd-Schlauch/ High Pressure Hose/	6.389-355.0	1
32 Dichtring 10x13,5/ Gasket/ Bague D'etancheite	7.362-003.0	1
33 Gehaeuse/ Housing/ Carter	5.060-372.0	1
34 Zyl.schr: M 6x55/ Cheese Head Screw/ Vis A Tete Cylindr.	7.306-117.0	2
35 O-Ring 8,0x2,0/ O-Ring/ Joint Torique	6.362-101.0	2
36 Dichtring 18x22/ Gasket/ Bague D'etancheite	7.362-009.0	2
37 Stutzen A12 M18x1,5/ Connection Piece/ Tubulure	7.386-476.0	1
38 Hd-Schlauch Dn 8/ High Pressure Hose/	6.389-356.0	1
76 Pumpenset siehe Bfldtafel H16 / Pump Set see Board H16 / Groupe de Pompes voir Tableau H16	2.880-392.0	1

1.891-02.03.001

Pos. Item Pos.	Benennung Description Designation	Teile-Nr. Part-No. No. piece	Stück Qty. Mbr.
19	Zylinderkopf/ Cylinder Head/ Culasse	5.550-136.0	1
25	O-Ring 10,0x2,0/ O-Ring/ Joint Torique	6.362-151.0	1
26	Schlauchnippel/ Hose Stem/ Nipple de Flexible	5.443-328.0	1
27	Schlauchscheille/ Hose Band Clip/ Collier de Serrage	6.388-515.0	2
28	Schlauch Mw7/ Hose/ Tuyau Flexible	6.388-194.0	1m
39	Zyl.schr. M 8x35/ Cheese Head Screw/ Vis A Tete Cylindr.	7.306-044.0	6
40	Schlauchstueck/ Hose/ Bout de Tuyau	5.442-410.0	1
41	Schlauchscheille/ Hose Band Clip/ Collier de Serrage	6.388-547.0	4
42	Ventilgehause/ Valve Housing/ Corps de Soupape	5.587-113.0	1
43	Schlauch/ Hose/ Tuyau Flexible	4.440-267.0	1
44	O-Ring 16,0x2,0/ O-Ring/ Joint Torique	6.362-174.0	2
45	O-Ring 22,3x2,4/ O-Ring/ Joint Torique	6.362-168.0	2
46	Huelse/ Bush/ Douille	5.110-260.0	2
47	O-Ring Kpl./1st.-R./ O-Ring/ Joint Torique	6.362-517.0	6
48	Ventil Kpl. Natur/ Valve/ Soupape	4.580-132.0	3
49	Ventil Kpl./ Valve/ Soupape	4.580-203.0	1
50	O-Ring 13,0x2,0/ O-Ring/ Joint Torique	6.362-381.0	1
51	Zyl.schr. M12x110/ Cheese Head Screw/ Vis A Tete Cylindr.	7.306-104.0	4
76	Pumpenset siehe Bildtafel H16 / Pump Set see Board H16 / Groupe de Pompes voir Tableau H16	2.880-392.0	1



76  
Pumpenset  
Pump kit  
Jeu de pièces  
rechange  
pompe

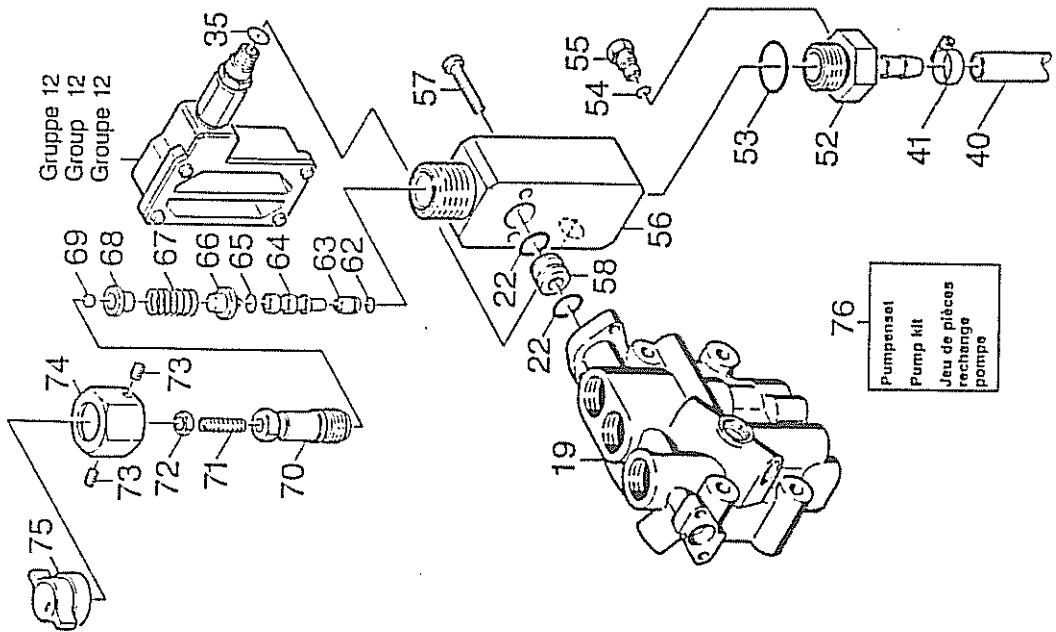


1.894-02.04.001

Gruppe 2: Pumpensatz  
 Group 2: Pump Unit  
 Groupe 2: Moto-pompe

E 2

HDS 1590



Pos.	Benennung Item Description Pos. Designation	Teile-Nr. Part-No. No. piece	Stück Qty. Nbr.
19	Zylinderkopf/ Cylinder Head/ Culasse	5.550-136.0	1
22	O-Ring 16,0x2,4/ O-Ring/ Joint Torique	6.362-445.0	3
35	O-Ring 8,0x2,0/ O-Ring/ Joint Torique	6.362-101.0	2
40	Schlauchstueck/ Hose/ Bout de Tuyau	5.442-410.0	1
41	Schlauchscheille/ Hose Band Clip/ Collier de Serrage	6.388-547.0	4
52	Schlauchnippel/ Hose Stem/ Nipple de Flexible	5.443-324.0	1
53	O-Ring 24,0x2,0/ O-Ring/ Joint Torique	6.362-522.0	1
54	O-Ring 3,0x1,0/ O-Ring/ Joint Torique	6.362-439.0	1
55	Spindel/ Spindle/ Pivote	5.291-049.0	1
56	Gehaeuse/ Housing/ Carter	5.060-379.0	1
57	Zyl.schr. M 6x45/ Cheese Head Screw/ Vis A Tete Cylindr.	7.306-026.0	2
58	Huelse/ Bush/ Douille	5.110-218.0	1
62	O-Ring 5,0x1,5/ O-Ring/ Joint Torique	6.362-386.0	1
63	Ventilsitz/ Valve Seat/ Siege de Soupape	5.581-143.0	1
64	Kolben/ Piston/ Piston	5.553-249.0	1
65	O-Ring Kpl./1st.-R./ O-Ring/ Joint Torique	6.362-422.0	1
66	Ventilbolzen/ Valve Pin/ Boulon de Soupape	5.584-077.0	1
67	Schraubenfeder/ Helical Spring/ Ressort Cylindrique	5.332-267.0	1
68	Federteller/ Spring Plate/ Coupelle de Ressort	5.582-092.0	1
69	Kugel 6,0/ Ball/ Boule	7.401-918.0	1
70	6kt-Schraube/ Hexagonal Head Scre/ Vis 6 Pans	5.304-061.0	1
71	Gew.stift M 6x35/ Threaded Pin/ Vis Sans Tete	7.307-418.0	1

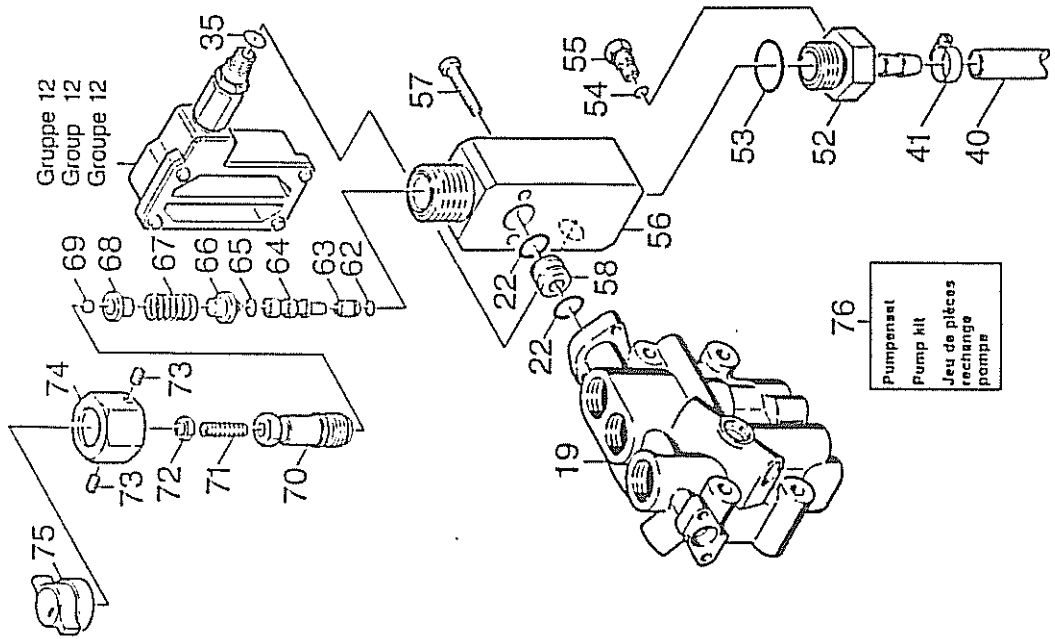
1814-02 05.001

Gruppe 2: Pumpensatz  
 Group 2: Pump Unit  
 Groupe 2: Moto-pompe

F2

HDS 1590

Pos. Item Pos.	Benennung Description Designation	Teil-Nr. Part-No. No. piece	Stück Qty. Nbr.
72	6kt-Nutter M 6/ Hexagon Nut/ Ecrou Hexagonal	7.311-003.0	1
73	Gew.stift M 4x5/ Threaded Pin/ Vis Sans Tete	7.307-354.0	2
74	6kt-Nutter/ Hexagon Nut/ Ecrou Hexagonal	5.311-156.0	1
75	Griff/ Handle/ Poignee	5.321-356.0	1
76	Pumpenset siehe Bildtafel H16 / Pump Set see Board H16 / Groupe de Pompes voir Tableau H16	2.880-392.0	1



1.814-02.06.001



**KÄRCHER**

**A 3**

**HDS 1590**

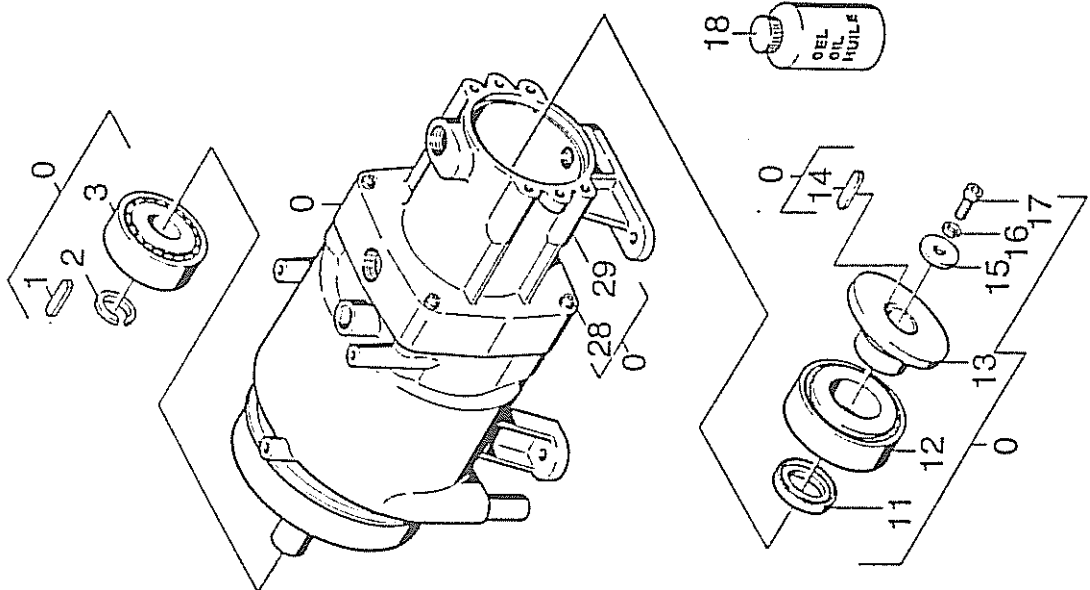
**Gruppe 3: Motor**  
**Group 3: Motor**  
**Groupe 3: Moteur**

Gruppe 3: Motor  
 Group 3: Motor  
 Groupe 3: Moteur

**B 3**

**HDS 1590**

Pos.	Benennung Item Description Pos. Designation	Telle-Nr. Part-No. No. piece	Stück Qty. Nbr.
0	E-Motor 7,5kw/ Electric Motor/ Moteur Electrique	6.611-479.0	1
1	Passfeder 5x5x16/ Spring/ Ressort D'adjustage	7.318-002.0	1
2	S-Ring 25x1,2/ Sealing Ring/ Circlip	7.343-008.0	1
3	Kugellager 6305-2z/ Ball Bearing/ Roulement A Bille	7.401-148.0	1
11	W-Dichtring 35x52/ Joint Ring/ Joint	7.367-009.0	1
12	Kegelrollenlager/ Taper Roller Bearin/ Palier A Rouleaux	6.401-205.0	1
13	Taumelscheibe/ Swash Plate/ Disque En Mutation	5.120-211.0	1
14	Passfeder 8x7x28/ Spring/ Ressort D'adjustage	7.318-043.0	1
15	Scheibe R 9/ Washer/ Rondelle	7.312-261.0	1
16	Federring 8/ Spring Washer/ Rondelle Grover	7.313-051.0	1
17	Zyl.schr. M 8x20/ Cheese Head Screw/ Vis A Tete Cylindr.	7.306-041.0	1
18	Getriebeoel 1l/ Gear Lubricant 01l/ Huile A Engrenages	6.288-016.0	1L
28	Zyl.schr. M 6x65/ Cheese Head Screw/ Vis A Tete Cylindr.	7.306-115.0	4
29	Gehauese/ Housing/ Carter	5.060-364.0	1



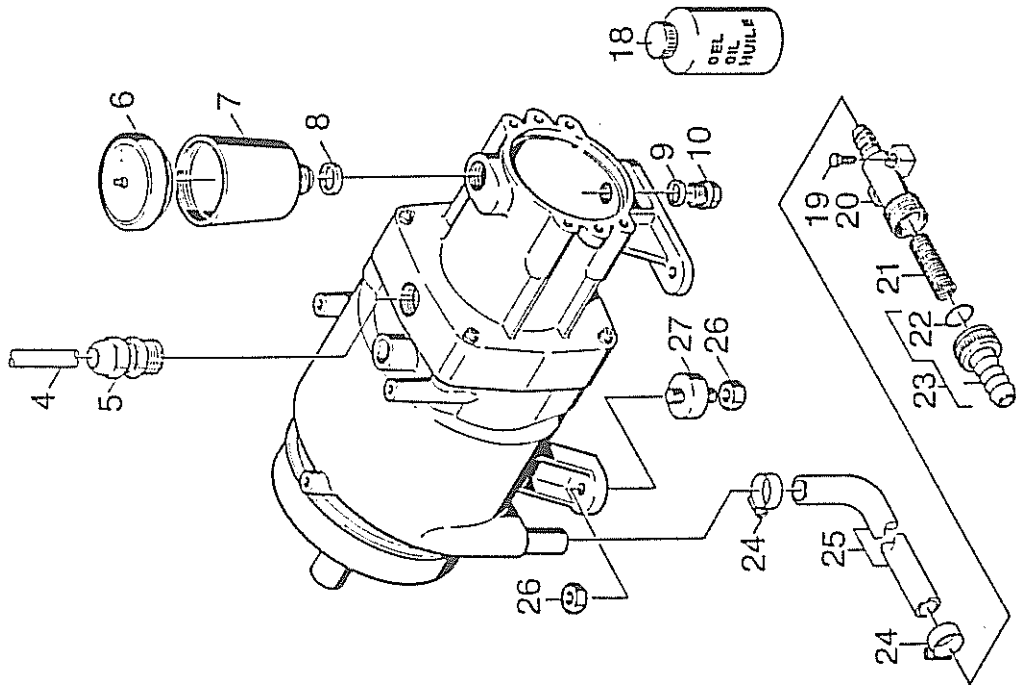
1.844-03.002.001

Gruppe 3: Motor  
 Group 3: Motor  
 Groupe 3: Moteur

C 3

HDS 1590

Pos. Item Pos.	Benennung Description Designation	Teile-Nr. Part-No. No. piece	Stück Qty. nbr.
0	E-Motor 7,5kw/ Electric Motor/ Moteur Electrique	6.611-479.0	1
4	Isolierschlauch 10/ Insulating Hose/ Tuyau Isolant	6.642-011.0	1m
5	Kabelversch. Pg16/ Cable Connector/ Raccord de Cables	6.641-356.0	1
6	Deckel/ Cover/ Couvercle	5.063-189.0	1
7	Behälter/ Tank/ Bac	5.070-048.0	1
8	Dichtring/ Gasket/ Bague D'etancheite	5.363-100.0	1
9	Dichtring 18x22/ Gasket/ Bague D'etancheite	7.362-009.0	1
10	Vs-Schraube M18x1,5/ Closing Screw/ Vis	7.382-235.0	1
18	Getriebeöl 1l/ Gear Lubricant Oil/ Huile A Engrenages	6.288-016.0	1L
19	6kt-Schr. M 6x16/ Hexagonal Head Scre/ Vis 6 Pans	7.304-383.0	2
20	Knotenstueck/ Mani Fold/ Ferrure Nodele	5.427-075.0	1
21	Sieb/ Strainer/ Crepine	6.414-141.0	1
22	O-Ring 19,3x2,4 / O-ring / Joint torique	6.362-161.0	1
23	Schlauchverschrbg./ Hose Screw Connect./ Racc.a Vis P. tuyaux	6.388-495.0	1
24	Schlauchschielle/ Hose Band Clip/ Collier de Serrage	6.388-547.0	2
25	Schlauchstueck/ Hose/ Bout de Tuyau	5.442-506.0	1
26	6kt-Mutter M 8/ Hexagon Nut/ Ecrou Hexagonal	7.311-510.0	8
27	Gummipuffer MB/ Rubber Buffer/ Butoir Caoutchouc	6.339-060.0	4



1.844-03.03.001



**KÄRCHER**

**A 4**

**HDS 1590**

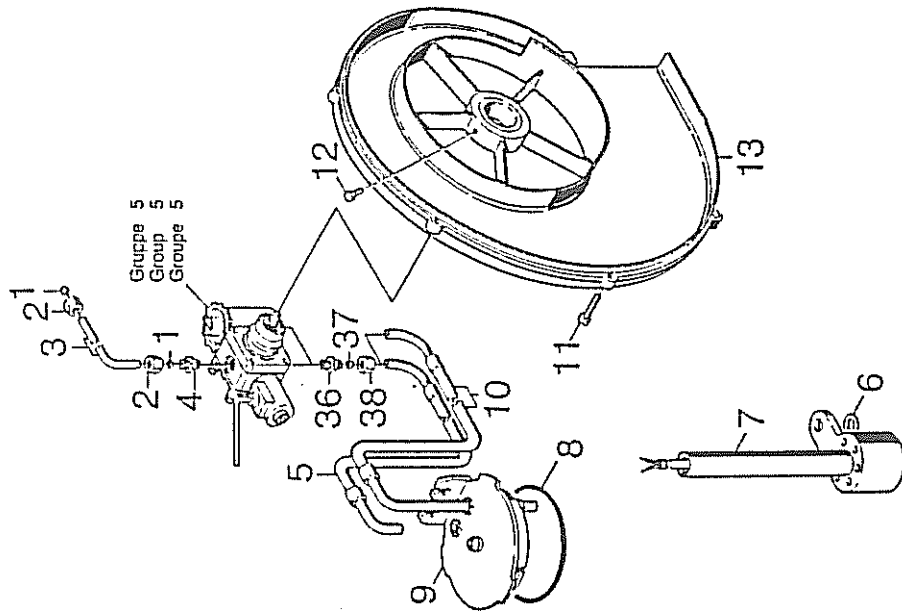
**Gruppe 4: Gebläse**

**Group 4: Blower**

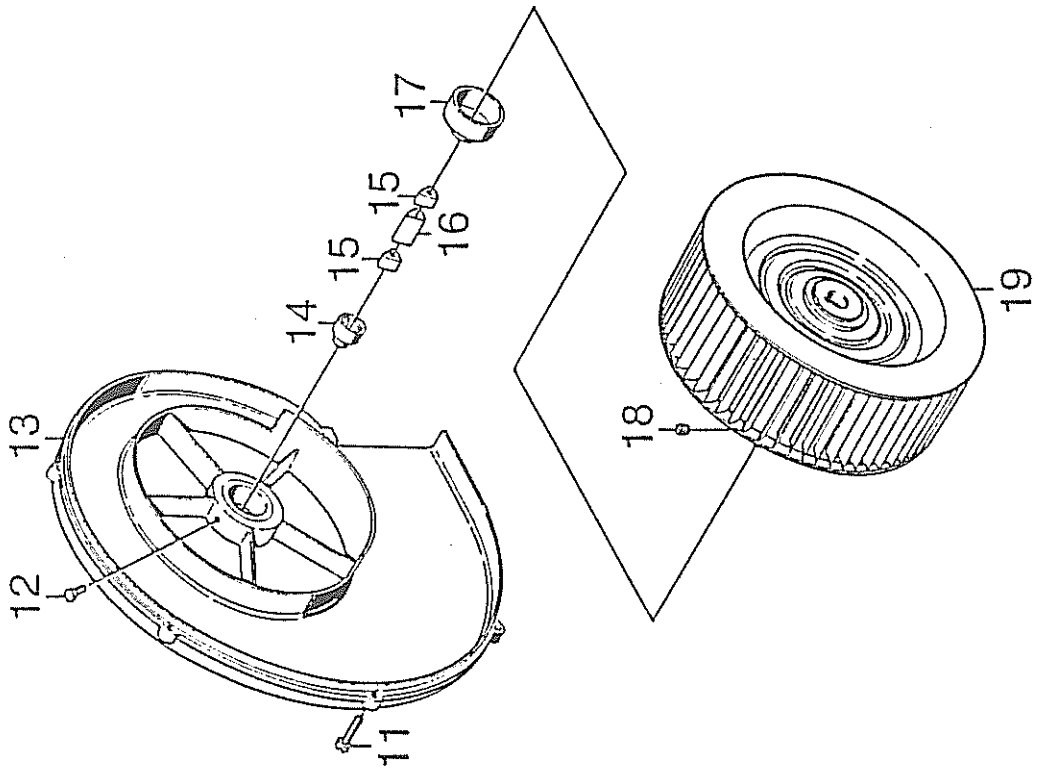
**Groupe 4: Ensemble mécanique**



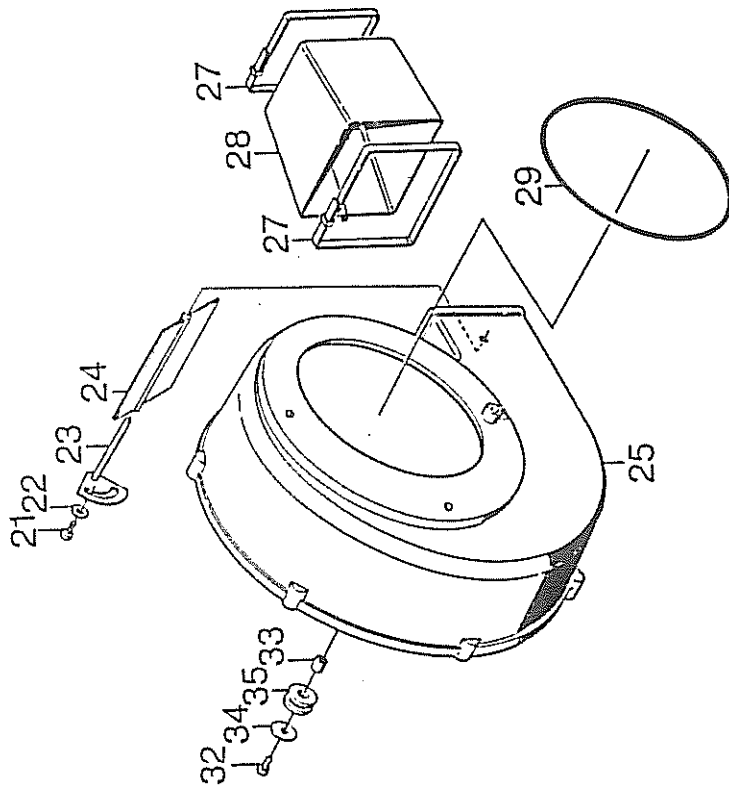
Pos. Item Pos.	Benennung Description Designation	Teil-Nr. Part-No. No. piece	Stück Qty. Nbr.
1	Schneidring D.4/ Cutting Ring/ Bague Coupante	6.389-263.0	2
2	Ue-Mutter M 8x1/ Ue-Nut/ Ue-Ecrou	6.389-262.0	2
3	Leitungsrohr/ Pipe/ Tube Conducteur	5.423-138.0	1
4	Schraubstutzen/ Screw Union/ Raccord Fileté	6.389-261.0	1
5	Schlauchleitung/ Hose/ Conduite	6.380-333.0	1
6	Sicherungsscheibe/ Lock Washer/ Rondelle D'arret	6.343-119.0	1
7	Niveaufuehler/ Level Probe/ Detecteur de Niveau	6.631-439.0	1
8	O-Ring 68,0x4,0/ O-Ring/ Joint Torique	6.362-474.0	1
9	Formteil/ Moulded Part/ Preforme	5.030-434.0	1
10	Schlauchleitung/ Hose/ Conduite	6.388-334.0	1
11	Bl.schr. St4, 8x25,0/ Sheet Metal Screw/ Vis A Tete	7.303-364.0	7
12	Zyl.schr. M 6x 16/ Cheese Head Screw/ Vis A Tete Cylindr.	7.306-020.0	1
13	Deckel/ Cover/ Couvercle	5.063-206.0	1
36	Stutzen 6-L1/8npt/ Connection Piece/ Tubulure	6.386-181.0	2
37	Schneidring D 6-L/S/ Cutting Ring/ Bague Coupante	6.386-160.0	2
38	Ue-Mutter 6-L/ Ue-Nut/ Ue-Ecrou	6.386-159.0	2



Pos. Item Pos.	Benennung Description Designation	Teile-Nr. Part-No. No. piece	Stück Qty. Nbr.
11	B1.schr. St4,8x25,0/ Sheet Metal Screw/ Vis A Tole	7.303-364.0	7
12	Zyl.schr. M 6x 16/ Cheese Head Screw/ Vis A Tete Cylindr.	7.306-020.0	1
13	Deckel/ Cover/ Couvercle	5.063-206.0	1
14	Kupplungsteil/ Coupling Element/ Piece D'accoupl.	6.463-008.0	1
15	Kupplungsteil/ Coupling Element/ Piece D'accoupl.	6.463-020.0	2
16	Kupplungsteil/ Coupling Element/ Piece D'accoupl.	5.471-050.0	1
17	Kupplungsteil/ Coupling Element/ Piece D'accoupl.	5.471-049.0	1
18	Gew.stift M 8x6/ Threaded Pin/ Vis Sans Tete	7.307-407.0	1
19	-Gebläse rad 218x80/ Blower Wheel/ Roue de Ventilateur	6.484-017.0	1



Pos. Item Pos.	Benennung Description Designation	Telle-Nr. Part-No. No. piece	Stück Qty. Mbr.
21	Bl. schr. St4,8x16,0/ Sheet Metal Screw/ Vis A Tole	7.303-362.0	1
22	Scheibe 5,3/ Washer/ Rondelle	7.312-278.0	1
23	Klappenwelle/ Flap Shaft/ Essieu	5.603-012.0	1
24	Luftklappe/ Air Flap/ Volet D'admis.d'air	5.606-001.0	1
25	Gehäuse/ Housing/ Carter	5.605-073.0	1
27	Spannband/ Strap/ Bande de Serrage	6.388-608.0	2
28	Tuchmanschette/ Cloth Collar/ Manchette	5.178-016.0	1
29	O-Ring 143,0x2,0/ O-Ring/ Joint Torique	6.362-456.0	1
32	6kt-Schr. M 6x25/ Hexagonal Head Scre/ Vis 6 Pans	7.304-386.0	4
33	Hülse/ Bush/ Douille	5.110-222.0	4
34	Scheibe/ Washer/ Rondelle	5.115-233.0	4
35	Gummiring/ Rubber Ring/ Rondelle Caoutchouc	5.379-008.0	4





**KÄRCHER**

**A 5**

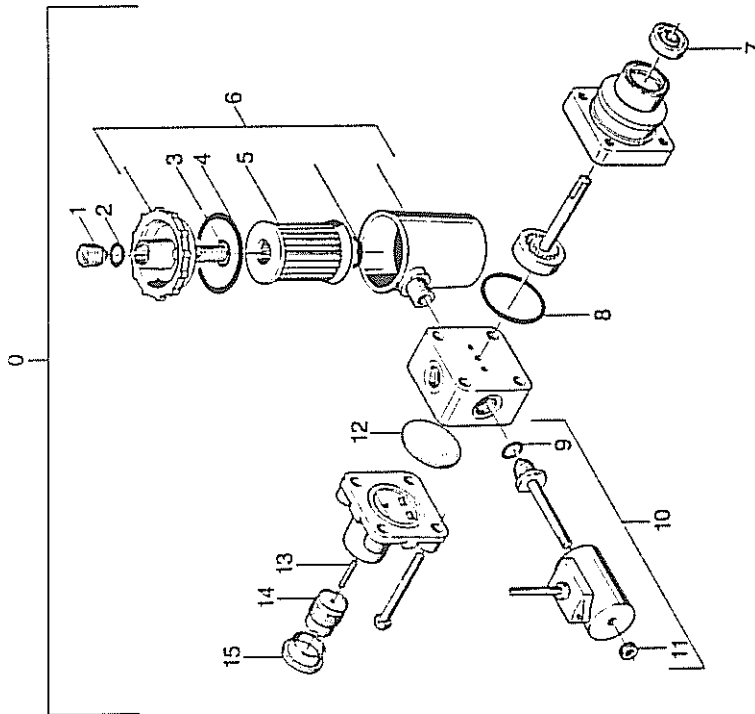
**HDS 1590**

**Gruppe 5: Brennstoffpumpe**  
**Group 5: Fuel Pump**  
**Groupe 5: Pompe à combustible**

Gruppe 5: Brennstoffpumpe  
 Group 5: Fuel Pump  
 Groupe 5: Pompe à combustible

# B 5

# HDS 1590



Pos. Item Pos.	Benennung Description Designation	Teil-Nr. Part-No. No. piece	Stück Qty. Mbr.
0	Br.-Foerderpumpe / Fuel Pump / Pompe A Combustible	6.472-350.0	1
1	Entlueftungsschraub/ Vent Screw/ Vis de Sortir D'air	6.472-107.0	1
2	O-Ring 5x1.8/ O-Ring/ Joint Torique	6.472-106.0	1
3	O-Ring 32x1.6/ O-Ring/ Joint Torique	6.472-111.0	1
4	O-Ring 10x2.4/ O-Ring/ Joint Torique	6.472-112.0	1
5	Filtereinsatz/ Filtr Cartridge/ Cartouche Filtrante	6.472-113.0	1
6	Filtergehäuse Kpl./ Filter Housing/ Boitier de Filtre	6.472-123.0	1
7	Achsendichtung/ Shaft Seal/ Etoupage D'arbre	6.472-105.0	1
8	O-Ring 28.5x1.6/ O-Ring/ Joint Torique	6.472-120.0	1
9	O-Ring/ O-Ring/ Joint Torique	6.472-355.0	1
10	Magnetventil Kompl./ Solenoid Valve/ Electrovanne	6.472-352.0	1
11	Combi-Mutter M6/ Nut / Ecrrou	6.472-356.0	1
12	Membran/ Membrane/ Membrane	6.472-128.0	1
13	Stift/ Pin/ Broche Cheville	6.472-108.0	1
14	Federgehäuse/ Spring Housing/ Boitier de Ressort	6.472-109.0	1
15	Schutzkappe/ Protecting Cap/ Capot Protection	6.472-122.0	1



1.841-05.02.001



**KÄRCHER**

**A 6**

**HDS 1590**

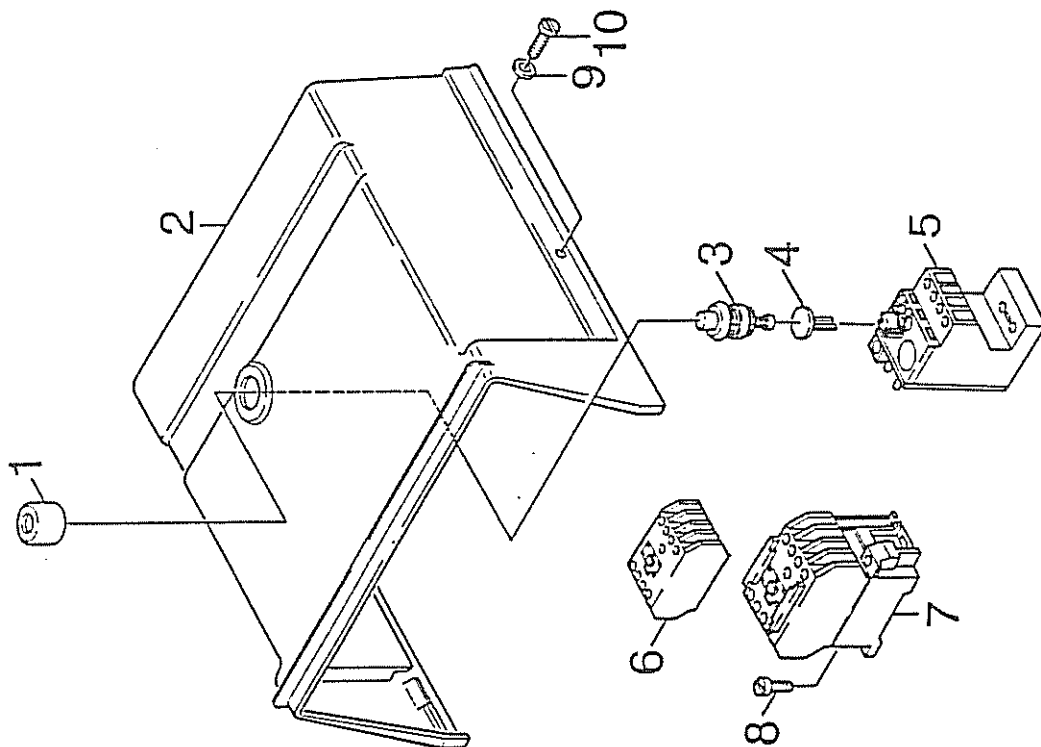
**Gruppe 6: Elektrogeräteschrank**  
**Group 6: Electrical Cabinet**  
**Groupe 6: Coffret électrique**

Gruppe: 6 Elektrogeräteschrank  
 Group: 6 Electrical Cabinet  
 Groupe: 6 Coffret électrique

**B 6**

**HDS 1590**

Pos. Item Pos.	Benennung Description Designation	Teile-Nr. Part-No. No. piece	Stück Qty. Nbr.
1	Gummikappe/ Rubber Cap/ Capuchon En Caoutch	6.368-057.0	1
2	Haube/ Cover/ Capot	5.066-362.0	1
3	Drucktaster/ Push Button/ Bouton-Poussoir	6.634-028.0	1
4	Knopf/ Button/ Bouton	5.326-010.0	1
5	Ueberstromrelais/ Bypass Valve/ Relais	6.633-242.0	1
6	Schuetz-Vorsatz/ Contactor-Adaptor/ Contacteur-Adapteur	6.632-156.0	1
7	Schuetz 24v/ Contactor/ Contacteur	6.632-133.0	1
8	Schneidschr. M4x16/ Self-Tapping Screw/ Vis Autotaraudeuse	6.303-015.0	4
9	Scheibe 5,3/ Washer/ Rondelle	7.312-278.0	2
10	Bl.schr. St4.8x16,0/ Sheet Metal Screw/ Vis A Tole	7.303-383.0	2



2884-317  
 (6632-156)  
 (6633-447)

1.844-06.02.001

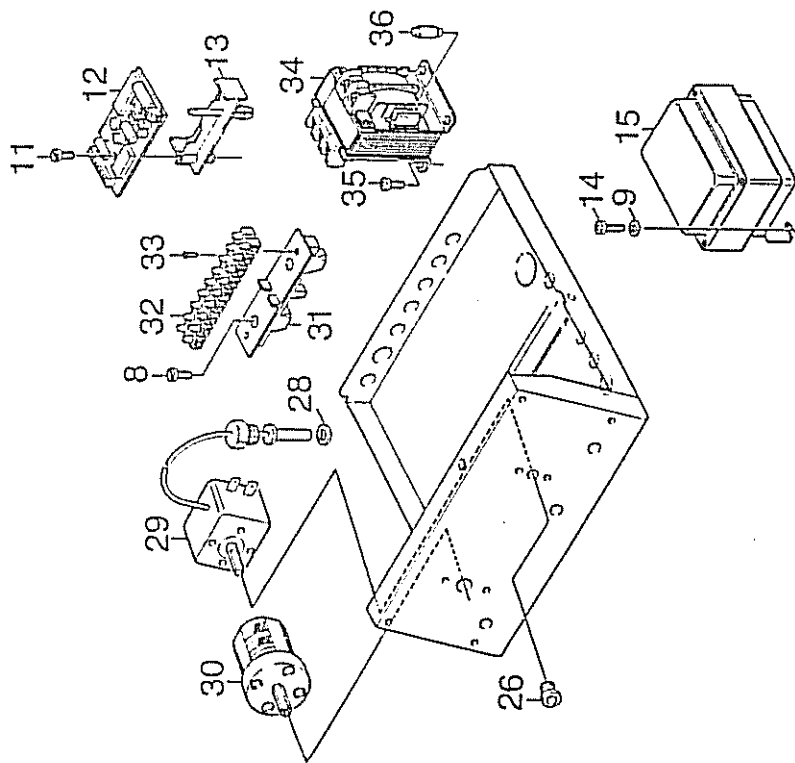
Gruppe: 6 Elektrogeräteschrank  
 Group: 6 Electrical Cabinet  
 Groupe: 6 Coffret électrique

C 6

HDS 1590

Pos. Item Pos.	Benennung Description Designation	Teil-Nr. Part-No. No. piece	Stück Qty. Nbr.
----------------------	---	-----------------------------------	-----------------------

8	Schneidschr. M4x16/ Self-Tapping Screw/ Vis Autotaraudeuse	6.303-015.0	4
9	Scheibe 5,3/ Washer/ Rondelle	7.312-278.0	2
11	Schneidschr. M4x30/ Self-Tapping Screw/ Vis Autotaraudeuse	7.303-506.0	1
12	Impulsgeber/ Pulse Generator/ Contacteur	6.633-269.0	1
13	Auflager/ Support/ Support	5.057-043.0	1
14	Schneidschr. M5x8/ Self-Tapping Screw/ Vis Autotaraudeuse	6.303-004.0	2
15	Zuendtrafo 380V50hz/ Transformer/ Transformateur	6.622-036.0	1
26	Profildichtung/ Seal/ Etoupe Profile	5.365-152.0	1
28	Scheibe/ Washer/ Rondelle	5.115-375.0	1
29	Temperaturregler/ Thermostat/ Thermostat	6.685-868.0	1
30	Schalter/ Switch/ Interrupteur	6.631-081.0	1
31	Auflager/ Support/ Support	5.057-036.0	1
32	Klemmleiste/ Strip Terminal/ Borne Plate	6.643-249.0	1
33	Bl.schr. St3,5x19,0/ Sheet Metal Screw/ Vis A Tole	7.303-357.0	2
34	Steuertrafo 40Va/ Transformer/ Transformateur	6.622-021.0	1
35	Schneidschr. M4x8/ Self-Tapping Screw/ Vis Autotaraudeuse	6.303-017.0	4
36	G-Schmelzeinsatz/ Cartridge/ Bouchon Fusible	6.644-052.0	1



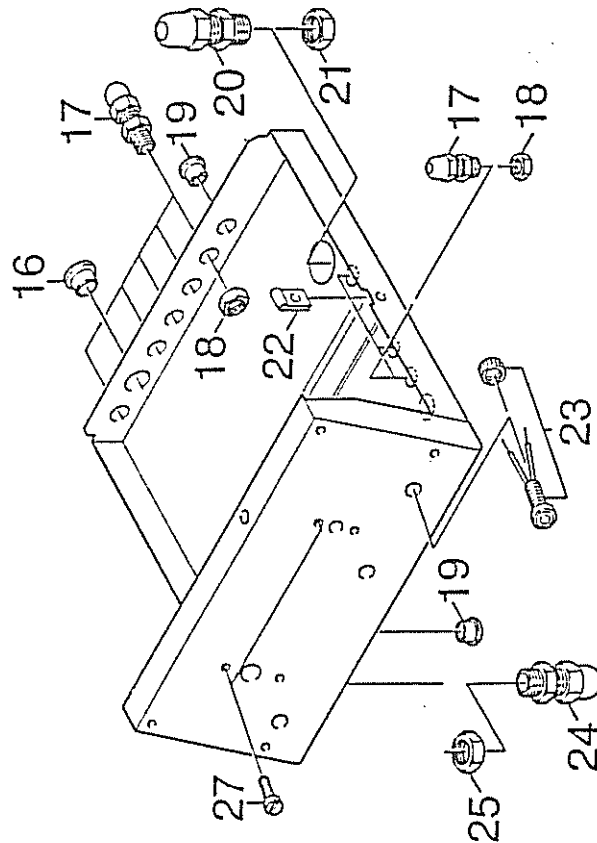


Gruppe: 6 Elektrogeräteschrank  
 Group: 6 Electrical Cabinet  
 Groupe: 6 Coffret électrique

**D 6**

**HDS 1590**

Pos. Benennung Item Description Pos. Designation	Teile-Nr. Part-No. No. piece	Stück Qty. Nbr.
16 Schutzkappe 21.7/ Protecting Cap/ Capot Protection	6.368-023.0	1
17 Kabelversch. Pg 9/ Cable Connector/ Raccord de Cables	6.641-355.0	8
18 Gegenmutter Pg 9/ Counternut/ Contre-Ecrou	6.641-366.0	8
19 Verschlussstopfen/ Drain Plug/ Bouchon	6.368-064.0	1
20 Kabelversch./ Cable Connector/ Raccord de Cables	6.641-613.0	1
21 Gegenmutter Pg13.5/ Counternut/ Contre-Ecrou	6.641-369.0	1
22 Blechmutter/ Nut/ Ecrou	6.310-034.0	2
23 Signalleuchte Rot/ Pilot Lamp/ Lampe Temoin	6.651-234.0	3
24 Kabelversch. Pg16/ Cable Connector/ Raccord de Cables	6.641-356.0	1
25 Gegenmutter Pg 16/ Counternut/ Contre-Ecrou	6.641-370.0	1
27 Zyl.schr. M 4x8/ Cheese Head Screw/ Vis A Tete Cylindr.	7.306-516.0	1



1.894-06.04.001



**KÄRCHER**

**A 7**

**HDS 1590**

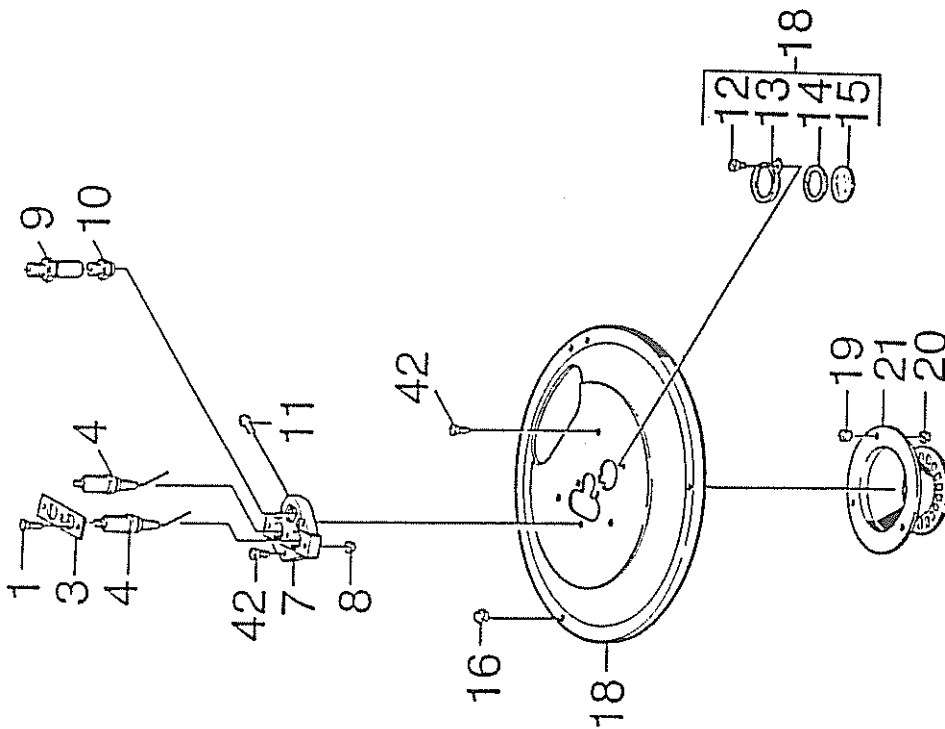
**Gruppe 7: Durchlauferhitzer**  
**Group 7: Continuous Flow Boiler**  
**Groupe 7: Chaudière à circulation forcée**

Gruppe 7: Durchlauferhitzer  
 Group 7: Continuous Flow Boiler  
 Groupe 7: Chaudière à circulation forcée

**B 7**

**HDS 1590**

Pos. Item Pos.	Benennung Description Designation	Teil-Nr. Part-No. No. piece	Stück Qty. Pbr.
1	6kt-Schr. M 5x14/ Hexagonal Head Scre/ Vis 6 Pans	7.309-019.0	3
3	Lasche/ Strip/ Eclisse	5.004-228.0	1
4	Zuendelektrode/ Ignition Electrode/ Electr.d'amorcage	5.826-046.0	2
7	Kerzenhalter/ Spark Holder/ Support Bougie	5.668-001.0	1
8	6kt-Mutter M 5/ Hexagon Nut/ Ecrou Hexagonal	7.311-037.0	3
9	Duesenhalter/ Nozzle Holder/ Porte - Buse	5.667-042.0	1
10	Brennerduese/ Burner Nozzle/ Buse (Bruleur)	6.415-572.0	1
11	6kt-Schr. M 5x12/ Hexagonal Head Scre/ Vis 6 Pans	7.304-371.0	1
12	Bl.schr. St3,5x 6,5/ Sheet Metal Screw/ Vis A Tole	7.303-012.0	1
13	Blech/ Plate/ Tole	5.000-590.0	1
14	Flachdichtung/ Seal/ Garniture Plate	5.364-100.0	1
15	Glasscheibe/ Glass Pane/ Vitre	6.278-014.0	1
16	Hutmutter M 6/ Cap Nut/ Ecrou Borgne	7.311-380.0	4
18	Deckel D.k./ Cover/ Couverture	4.654-073.0	1
19	Rohr/ Pipe/ Tuyau	5.025-366.0	3
20	6kt-Mutter M 5/ Hexagon Nut/ Ecrou Hexagonal	7.311-002.0	3
21	Brennereinsatz/ Burner Cage/ Bruleur Cage	4.663-075.0	1
42	Zyl.schr. M 5x16/ Cheese Head Screw/ Vis A Tete Cylindr.	7.306-441.0	6

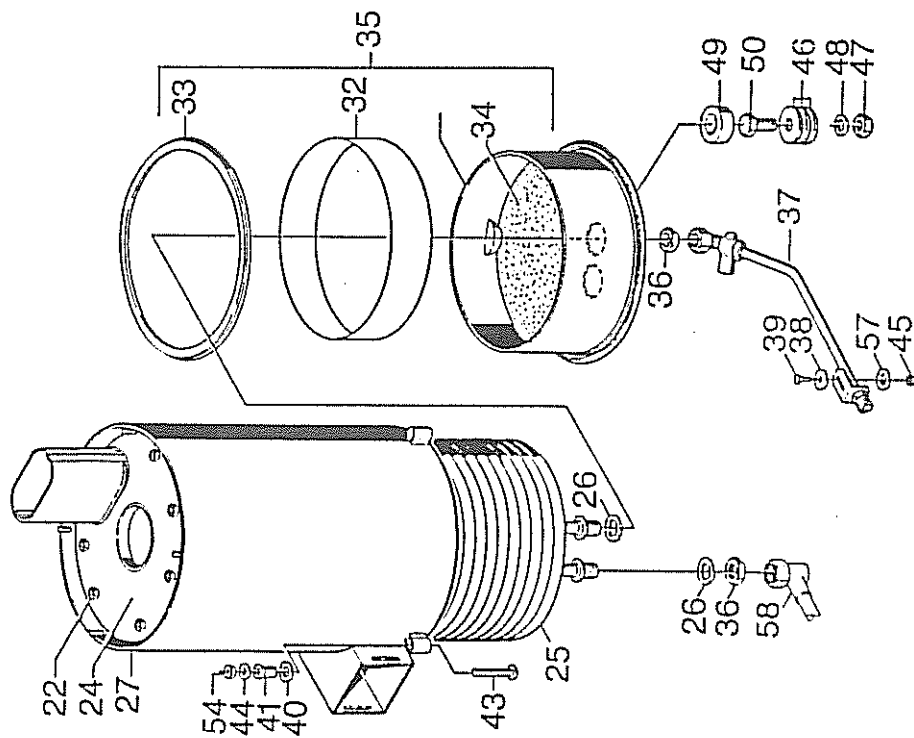


1.844-07.02.001

Gruppe 7: Durchlauferhitzer  
 Group 7: Continuous Flow Boiler  
 Groupe 7: Chaudière à circulation forcée

C 7

HDS 1590



Pos.	Benennung Item Description Pos. Designation	Teile-Nr. Part-No. No. Piece	Stück Qty. Nbr.
22	6kt-Nutter M 6/ Hexagon Nut/ Ecrou Hexagonal	7.311-039.0	6
24	Brennereinsatz/ Burner Cage/ Bruleur Cage	4.663-079.0	1
25	Heizschlange/ Heating Coil/ Serpentin	4.680-084.0	1
26	Profildichtung/ Seal/ Etoupe Profile	5.365-068.0	2
27	Aussenmantel/ Outer Jacket/ Enveloppe	4.652-070.0	1
32	Zarge/ Frame/ Huissiere	5.012-200.0	1
33	Dichtschnur D 10/ Seal String/ Corde de Bourrage	6.366-011.0	1
34	Stampfmasse/ Refractory Material/ Pise Refract. Dame	6.286-016.0	8
35	Boden D.k./ Bottom/ Fond	4.655-043.0	1
36	6kt-Nutter M22x1,5/ Hexagon Nut/ Ecrou Hexagonal	7.311-155.0	2
37	Rohrleitung/ Piping/ Conduite	4.420-984.0	1
38	Unterlage/ Spacer/ Coussinet	5.378-058.0	1
39	6kt-Schr. M 6x16/ Hexagonal Head Scre/ Vis 6 Pans	7.304-383.0	1
40	Scheibe 8 13/ Washer/ Rondelle	7.312-008.0	3
41	Huelse/ Bush/ Douille	5.110-223.0	3
43	Fl.rd.schr. M 8x70/ Saucer-Head Screw/ Boulon A Tete Bombe	7.303-163.0	3
44	Scheibe/ Washer/ Rondelle	5.115-271.0	3
45	6kt-Nutter M 6/ Hexagon Nut/ Ecrou Hexagonal	7.311-425.0	1
46	Scheibe R 9/ Washer/ Rondelle	7.312-261.0	9
47	6kt-Nutter M 8/ Hexagon Nut/ Ecrou Hexagonal	7.311-004.0	3
48	Zahnscheibe A 8,4/ Lock Washer/ Roue Plate	7.312-159.0	3
49	Schwingungsdampfer/ Vibration Absorber/ Anortisseur	6.339-062.0	3

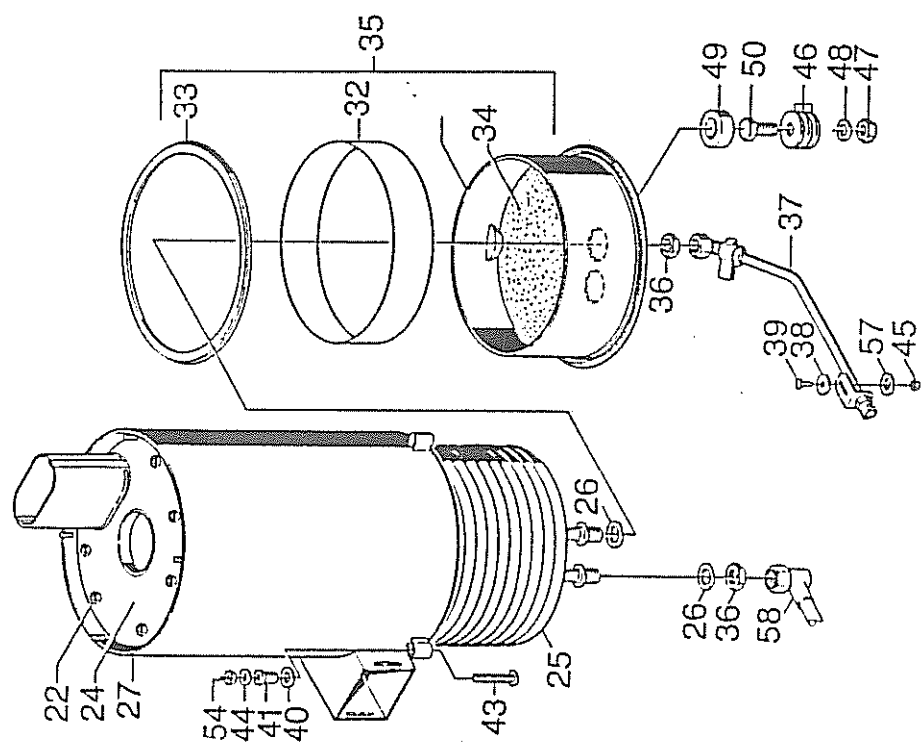


1.844-02.03.001

Gruppe 7: Durchlauferhitzer  
 Group 7: Continuous Flow Boiler  
 Groupe 7: Chaudière à circulation forcée

# D 7 HDS 1590

Pos. / Item Pos.	Benennung / Description Designation	Teile-Nr. Part-No. No. piece	Stück Qty. Nbr.
58	Rohrleitung / Tube / Conduite	4.420-983.0	1
50	6kt-Schr. M 8x20/ Hexagonal Head Scre/ Vls 6 Pans	7.304-397.0	3
54	6kt-Mutter M 8/ Hexagon Nut/ Ecrou Hexagonal	7.311-510.0	3
57	Scheibe 6,4/ Washer/ Rondelle	7.312-276.0	1



1.844-07.04.001

 **KÄRCHER**

**A 8**

**HDS 1590**

**Gruppe 8: Schwimmerventil**  
**Group 8: Float Valve**  
**Groupe 8: Bac à flotteur**

184-08.01.001

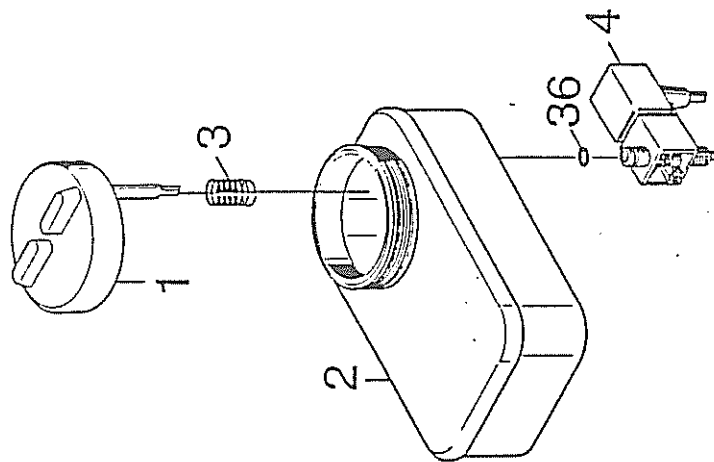
Gruppe 8: Schwimmerventil  
Group 8: Float Valve  
Groupe 8: Bac à flotteur

**B 8**

**HDS 1590**

Pos. / Benennung / Item Description / Pos. Designation	Teil-Nr. / Part-No. / No. piece	Stück / Qty. / Nbr.
--	---------------------------------	---------------------

1 Beckel / Cover / Couvercle	5.063-226.0	1
2 Behälter / Tank / Bac	4.070-088.0	1
3 Schraubenfeder / Helical Spring / Ressort Cyl Indrique	5.332-001.0	1
4 Magnetventil Dn 3 / Solenoid Valve / Electrovanne	6.685-194.0	1
36 O-Ring 6,0x2,0 / O-Ring / Joint Torique	6.362-113.0	1

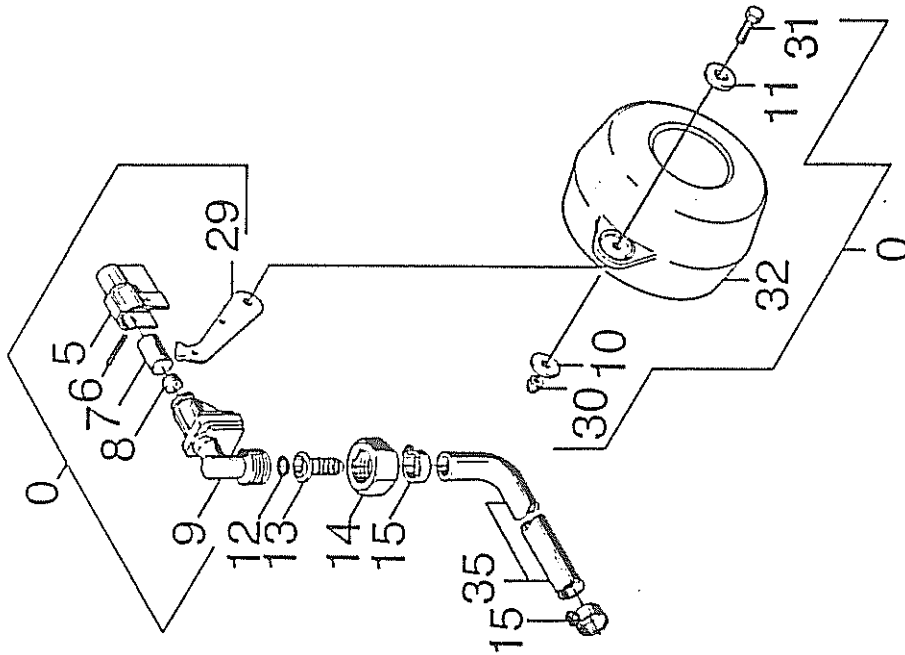


1.884-08.08.001

Gruppe 8: Schwimmerventil  
 Group 8: Float Valve  
 Groupe 8: Bac à flotteur

C 8

HDS 1590



Pos. Benennung Item Description Pos. Designation	Telle-Nr. Part-No. No. piece	Stück Qty. Nbr.
0 Schwimmerventil/ Float Valve/ Soupape A Flotteur	3.593-072.0	1
5 Schutzteil/ Protection Part/ Partie Protecteur	5.394-066.0	1
6 Bolzen 3,0x 25/ Bolt/ Boulon	7.316-004.0	1
7 Ventilbolzen/ Valve Pin/ Boulon de Soupape	5.584-026.0	1
8 Flachdichtung/ Seal/ Garniture Plate	5.364-095.0	1
9 Ventilgehäuse/ Valve Housing/ Corps de Soupape	5.587-138.0	1
10 Scheibe 6,4/ Washer/ Rondelle	7.312-279.0	1
11 Scheibe/ Washer/ Rondelle	5.115-158.0	1
12 O-Ring 13,3x2,4/ O-Ring/ Joint Torique	6.362-078.0	2
13 Schlauchnippel/ Hose Stem/ Mippie de Flexible	5.443-224.0	1
14 Mutter R 3/4z/ Nut/ Ecrou	5.310-061.0	1
15 Schlauchschelle/ Hose Band Clip/ Collier de Serrage	6.388-547.0	2
29 Hebel/ Lever/ Gachetteservo-Press	5.481-029.0	1
30 6kt-Mutter M 6/ Hexagon Nut/ Ecrou Hexagonal	7.311-422.0	1
31 6kt-Schr. M 6x20/ Hexagonal Head Scre/ Vls 6 Pans	7.304-471.0	1
32 Schwimmer/ Float/ Flotteur	5.585-004.0	1
35 Schlauchstueck/ Hose/ Bout de Tuyau	5.442-507.0	1

1.894-08.03.004

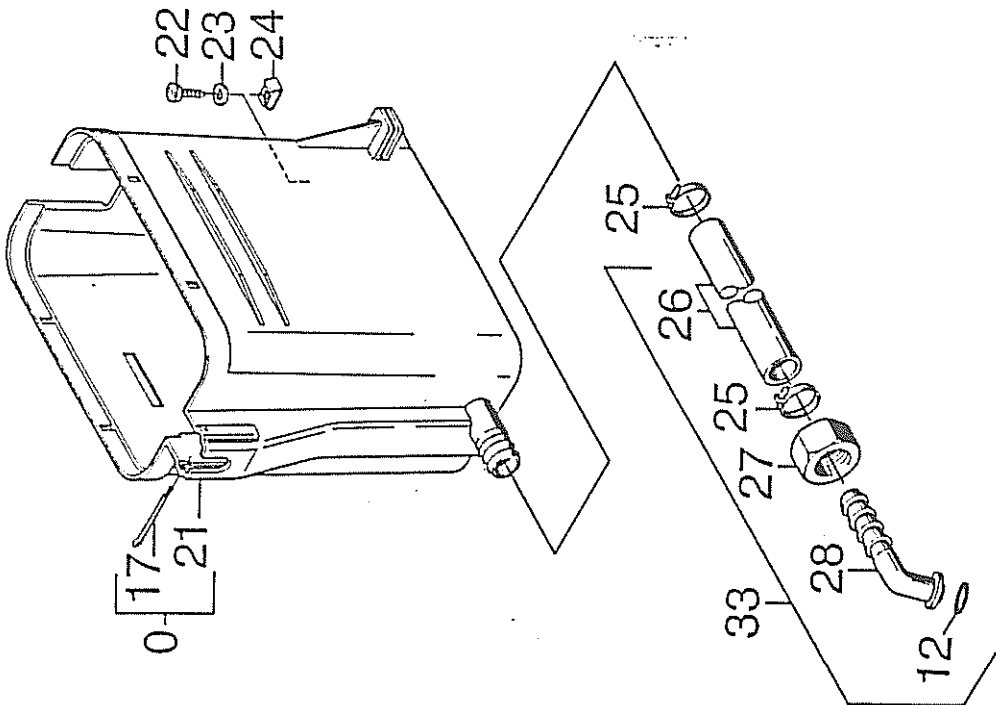


Gruppe 8: Schwimmerventil  
 Group 8: Float Valve  
 Groupe 8: Bac à flotteur

**D 8**

**HDS 1590**

Pos. Item Pos.	Benennung Description Designation	Teil-Nr. Part-No. No. piece	Stück Qty. Nbr.
0	Schwimmerventil/ Float Valve/ Soupape A Flotteur	3.593-072.0	1
17	Splint 4,0x50/ Cotter/ Goupille Fendue	7.316-432.0	1
21	Behälter/ Tank/ Bac	5.070-064.0	1
22	Bl.schr. St4,8x25,0/ Sheet Metal Screw/ Vis A Tole	7.303-364.0	2
23	Scheibe 5,3/ Washer/ Rondelle	7.312-278.0	2
24	Schnappmutter 4,8/ Snap Nut/ Ecrou A Encianch.	6.310-028.0	2
25	Kabelband 8-210/ Cable Tie/ Protect. de Cable	6.641-474.0	2
26	Schlauch 19x4/ Hose/ Tuyau Flexible	6.388-721.0	1
27	Mutter/ Nut/ Ecrou	5.310-062.0	1
28	Schlauchnippel/ Hose Stem/ Nipple de Flexible	5.443-211.0	1
33	Schlauch/ Hose/ Tuyau Flexible	4.440-267.0	1



1.844-08.06.001



A 9

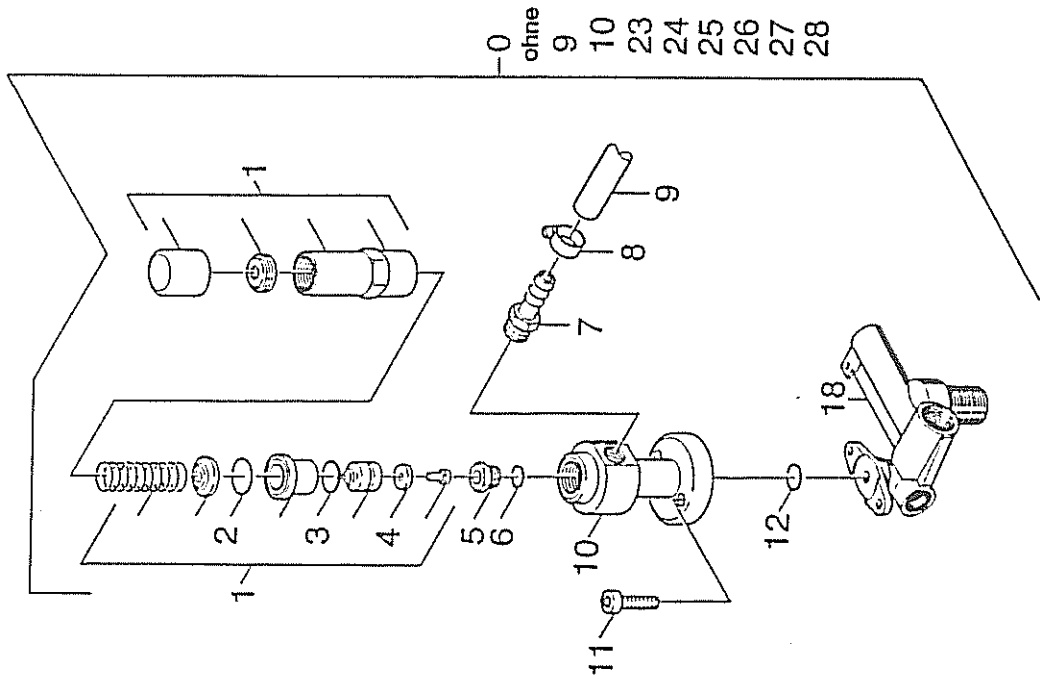
HDS 1590

Gruppe 9: Sicherheitsblock  
Group 9: Safety System  
Groupe 9: Bloc de sécurité

Gruppe: 9 Strömungswächter  
 Group: 9 Flow switch  
 Groupe: 9 Commatateur de flux

**B 9**

**HDS 1590**



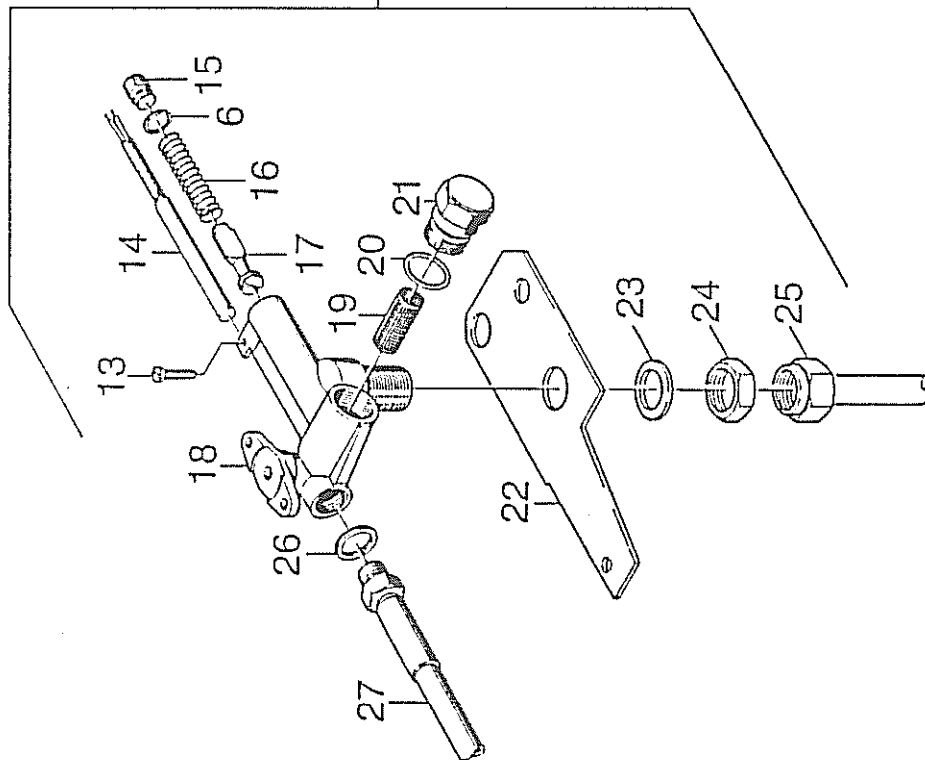
Pos. Benennung Item Description Pos. Designation	Teil-Nr. Part-No. No. piece	Stück Qty. Nbr.
0 Strömungswächter/ Flow Switch/ Commatateur de Flux	4.745-008.0	1
1 Sicherheitsventil/ Safety Valve/ Soupape (Trop-Plein)	6.412-604.0	1
2 O-Ring 20,0x1,5/ O-Ring/ Joint Torique	6.362-547.0	1
3 O-Ring 13,0x2,0/ O-Ring/ Joint Torique	6.362-381.0	1
4 Dichtring/ Gasket/ Bague D'etancheite	5.363-094.0	1
5 Ventilsiatz/ Valve Seat/ Siege de Soupape	5.581-093.0	1
6 O-Ring 10,0x1,5/ O-Ring/ Joint Torique	6.362-482.0	2
7 Schlauchnippel/ Hose Stem/ Nipple de Flexible	6.388-614.0	1
8 Schlauchscheille/ Hose Band Clip/ Collier de Serrage	6.388-547.0	1
9 Schlauchstueck/ Hose/ Bout de Tuyau	5.442-590.0	1
10 Gehaeuse/ Housing/ Carter	5.060-368.0	1
11 6kt-Schr. M 6x20/ Hexagonal Head Scre/ Vis 6 Pans	7.304-385.0	2
12 O-Ring 12,0x2,0/ O-Ring/ Joint Torique	6.362-169.0	1
18 Gehaeuse/ Housing/ Carter	5.605-131.0	1



Gruppe: 9 Strömungswächter  
 Group: 9 Flow switch  
 Groupe: 9 Commatateur de flux

C 9

HDS 1590



Pos.	Benennung Item Description Pos. Designation	Teile-Nr. Part-No. No. piece	Stück Qty. Nbr.
0	Stromungswächter/ Flow Switch/ Commutateur de Flux	4.745-008.0	1
6	O-Ring 10,0x1,5/ O-Ring/ Joint Torique	6.362-482.0	2
13	Zyl. schr. M 6x16/ Cheese Head Screw/ Vis A Tete Cylindr.	6.304-018.0	1
14	Ersatzreedschalter/ Spare Reed Switch/ Interrupt. reed de R	2.880-194.0	1
15	Formschraube/ Screw/ Vis	5.305-162.0	1
16	Schraubenfeder/ Helical Spring/ Ressort Cylindrique	5.332-057.0	1
17	Kolben/ Piston/ Piston	4.553-023.0	1
18	Gehäuse/ Housing/ Carter	5.605-131.0	1
19	Sieb/ Strainer/ Crepine	6.414-111.0	1
20	O-Ring 17,3x2,4/ O-Ring/ Joint Torique	6.362-160.0	1
21	Verschlusschraube/ Closing Screw/ Vis de fermeture	5.411-059.0	1
22	Halter/ Holder/ Fixation	5.042-531.0	1
23	Scheibe 22/ Washer/ Rondelle	7.312-145.0	1
24	6kt-Mutter M22x1,5/ Hexagon Nut/ Ecrou Hexagonal	7.311-155.0	1
25	Rohrleitung/ Piping/ Conduite	4.420-983.0	1
26	Dichtring 18x22/ Gasket/ Bague D'etancheite	7.362-009.0	1
27	Hd-Schlauch Dn 8/ High Pressure Hose/	6.389-356.0	1

ohne  
 9  
 10  
 23  
 24  
 25  
 26  
 27  
 28



1.844-09.03.001

 **KÄRCHER**

**A 10**

**HDS 1590**

**Gruppe 10: Zubehör**  
**Group 10: Accessories**  
**Groupe 10: Accessoires**

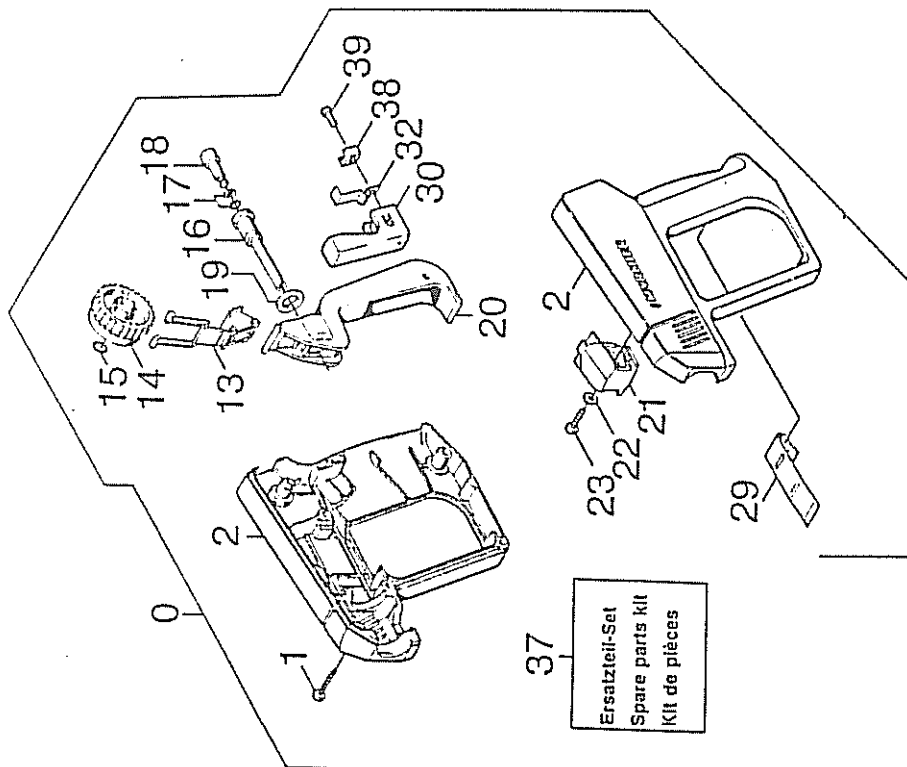
4.PAS-10.01.S&P3

Gruppe 10: Zubehör  
 Group 10: Accessories  
 Groupe 10: Accessoires

# B 10

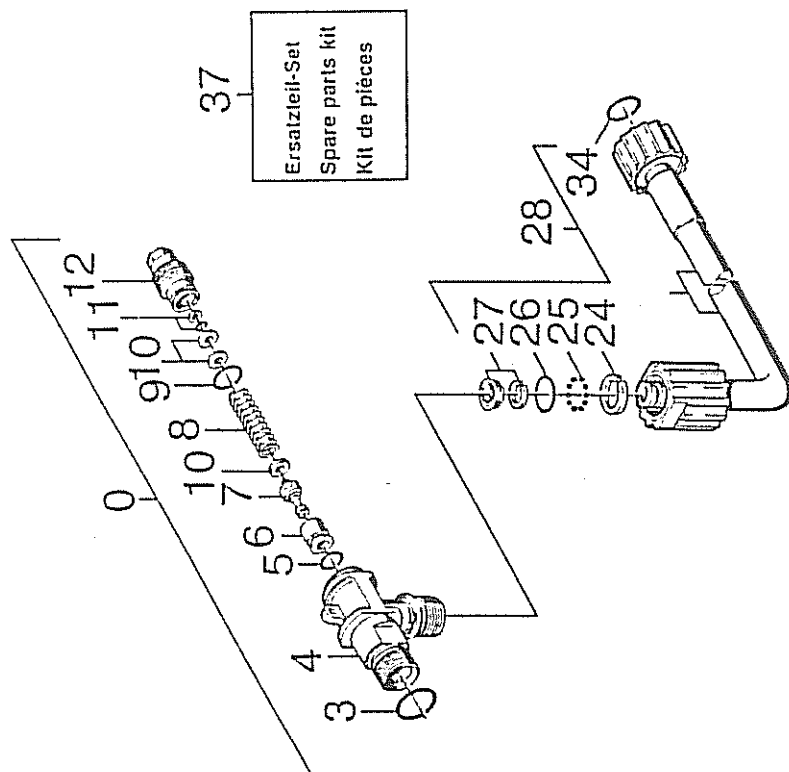
# HDS 1590

Pos. Item Pos.	Benennung Description Designation	Teil-Nr. Part-No. No. piece	Stück Qty. Nbr.
0	Handspritzpistole/ Trigger Gun/ Poignee Pistolet	4.775-152.0	1
1	Linse Schr. 4,2x22/ Oval Head Screw/ Vis A Tete Bombee	6.303-024.0	8
2	Griffpaar/ Handles/ Branches Poignee	5.321-107.0	1
13	Formteil/ Moulded Part/ Preforme	5.030-283.0	1
14	Handrad/ Hand Wheel/ Volant	5.322-006.0	1
15	O-Ring 6,07x1,78/ O-Ring/ Joint Torique	6.362-176.0	1
16	Stange/ Bar/ Tige	5.107-062.0	1
17	O-Ring Kpl./1st.-R./ O-Ring/ Joint Torique	6.362-477.0	1
18	Kolben/ Piston/ Piston	5.553-118.0	1
19	Scheibe/ Washer/ Rondelle	5.115-227.0	1
20	Handhebel/ Lever/ Levier A Main	5.325-009.0	1
21	Formteil/ Moulded Part/ Preforme	5.030-321.0	1
22	Scheibe A 4,3/ Washer/ Rondelle	7.312-001.0	1
23	Linse Schr. 4,2x16/ Oval Head Screw/ Vis A Tete Bombee	6.303-025.0	3
29	Blechteil/ Plate/ Tole	5.040-479.0	1
30	Handhebel/ Lever/ Levier A Main	5.325-010.	1
32	Biegefeder/ Spiral Spring/ Ressort Spiral	5.335-013.0	1
37	Ersatzteilset siehe Bildtafel E16 / Spare Parts Kit see Board E16 / Kit de Pieces voir Tableau E16	2.880-369.0	1
38	Blechteil/ Plate/ Tole	5.040-480.0	1
39	Linse Schr. 2,9x 13/ Oval Head Screw/ Vis A Tete Bombee	6.303-058.0	1



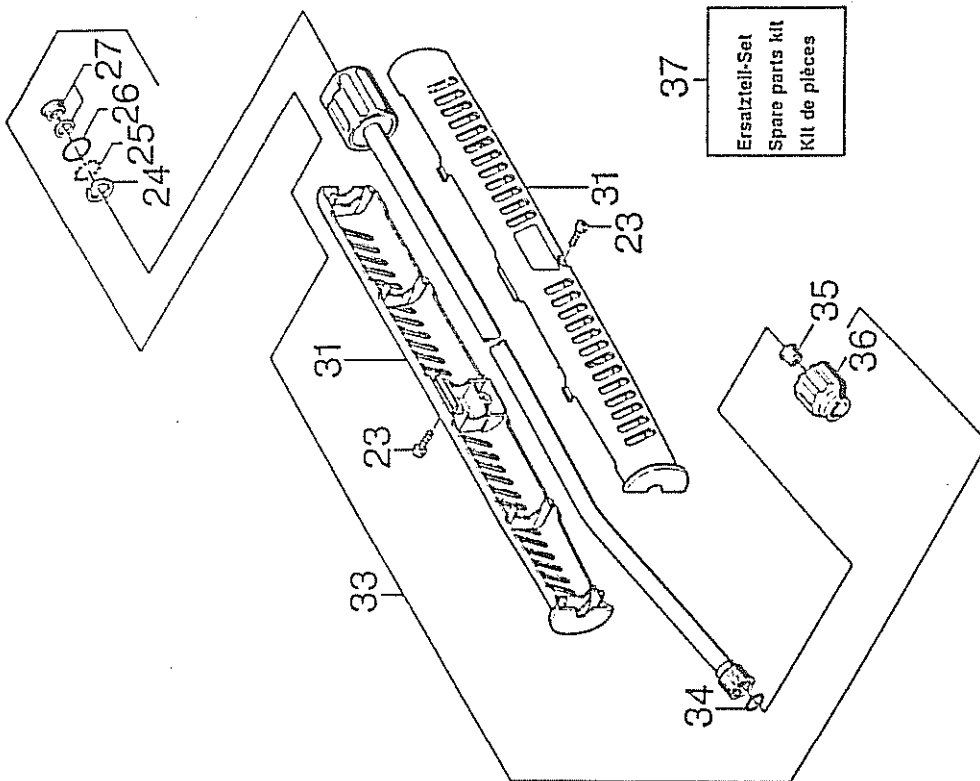
4.775-10.02.38G

Pos.	Benennung Item Description Pos. Designation	Teil-Nr. Part-No. No. piece	Stück Qty. Nbr.
0	Handspritzpistole/ Trigger Gun/ Poignee Pistolet	4.775-152.0	1
3	O-Ring 17,12x2,62/ O-Ring/ Joint Torique	6.362-496.0	1
4	Knotenstueck/ Mani Fold/ Ferrure Modale	5.427-079.0	1
5	O-Ring 7,59x2,62/ O-Ring/ Joint Torique	6.362-479.0	1
6	Hueise 8001/H/ Bush/ Douille	5.110-240.0	1
7	Ventilsitz/ Valve Seat/ Siege de Soupape	4.581-013.0	1
8	Schraubenfeder/ Helical Spring/ Ressort Cylindrique	5.332-140.0	1
9	O-Ring 12,42x1,78/ O-Ring/ Joint Torique	6.362-478.0	1
10	Scheibe/ Washer/ Rondelle	5.115-260.0	2
11	O-Ring Kpl./1st.-R./ O-Ring/ Joint Torique	6.362-468.0	1
12	Formschraube/ Screw/ Vis	5.305-110.0	1
24	Dichtring 12x1,5/ Gasket/ Bague D'etancheite	6.362-529.0	2
25	Kugel 4,0/ Ball/ Boule	7.401-921.0	24
26	O-Ring 17,0x1,5/ O-Ring/ Joint Torique	6.362-524.0	2
27	Nutring Kpl./1st.r./ Grooved Ring/ Joint En U A Levres	6.362-532.0	2
28	Hd-Schlauch Drehbar/ High Pressure Hose/	6.388-083.0	1
34	Ersatzteilset O-Ring (5) / Spare Parts Kit O-ring (5) / Kit de Pieces Joint torique (5)	2.880-296.0	1
37	Ersatzteilset siehe Bildtafel E16 / Spare Parts Kit see Board E16 / Kit de Pieces voir Tableau E16	2.880-369.0	1



# D 10 HDS 1590

Pos. Item Pos.	Benennung Description	Teil-Nr. Part-No. No. piece	Stück Qty. Nbr.
23	Linsensch. 4,2x16/ Oval Head Screw/ Vis A Tete Bombee	6.303-025.0	3
24	Dichtring 12x1,5/ Gasket/ Bague D'etancheite	6.362-529.0	2
25	Kugel 4,0/ Ball/ Boule	7.401-921.0	24
26	O-Ring 17,0x1,5/ O-Ring/ Joint Torique	6.362-524.0	2
27	Nutring Kpl.1st.r./ Grooved Ring/ Joint En U A Levres	6.362-532.0	2
31	Griff/ Handle/ Poignee	5.321-150.0	2
33	Strahlrohr 1040 Lg/ Jet Pipe/ Lance D'incendie	4.760-101.0	1
34	Ersatzteilset O-Ring (5) / Spare Parts Kit O-ring (5) Kit de Pieces joint torique (5)	2.880-296.0	1
35	Dues.mundst. 25g10/ Nozzie/ Mez de Buse	6.415-252.0	1
36	Verschraubungsteil/ Screw Part/ Piece (Raccord A V1	5.401-129.0	1
37	Ersatzteilset siehe Bildtafel E16 / Spare Parts Kit see Board E16 / Kit de Pieces voir Tableau E16	2.880-369.0	1



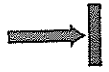


# E 16

# HDS 1590

Teile sind im Ersatzteilset 2.880-369 enthalten  
Parts included in spare kits 2.880-369  
Pièces comprises dans le jeu de pièces rechange 2.880-369

Gruppe Group Groupe	Pos. Item Pos.	Benennung Designation Designation	Teile-Nr. Part No. No. pièces	Stck. Qty. Nbr.
10	1	Schraube 4,2x22 / Vis / Screw	6.303-024	8
	3	O-Ring 17,12x2,62 / O-ring / Joint torique	6.362-496	1
	5	O-Ring 7,59x2,62 / O-ring / Joint torique	6.362-479	1
	6	Hülse / Sleeve / Douille	5.110-240	1
	7	Ventilsitz / Valve seat / Siege de soupape	4.581-013	1
	8	Schraubenfeder / Coil spring / Ressort helicoïdal	5.332-140	1
	9	O-Ring 12,42x1,78 / O-ring / Joint torique	6.362-478	1
	11	O-Ring komplett / O-ring compl. / Joint torique compl.	6.362-468	1
	15	O-Ring 6,07x1,78 / O-ring / Joint torique	6.362-176	1
	17	O-Ring kompl. / O-ring compl./ Joint torique	6.362-477	1





**KÄRCHER**

**A 11**

**HDS 1590**

**Gruppe 11: Instrumententafel**

**Group 11: Control panel**

**Groupe 11: Tableau de commandes**

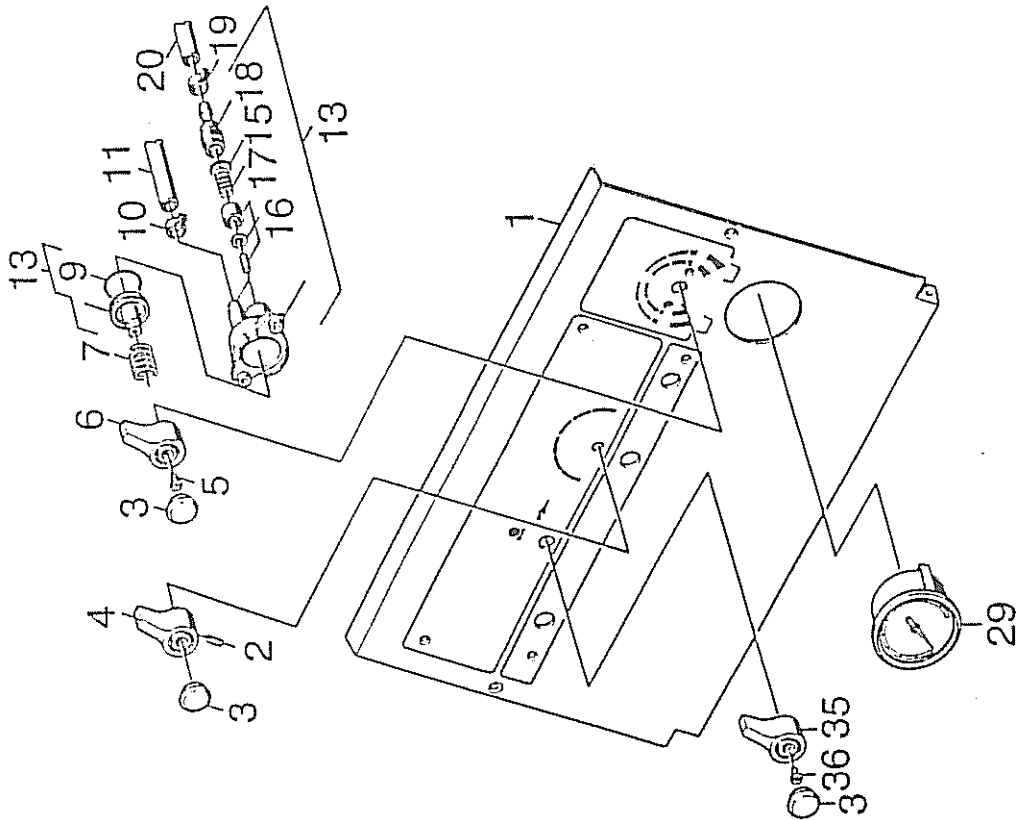
1.884-11.01.001

Gruppe 11: Instrumententafel  
 Group 11: Control panel  
 Groupe 11: Tableau de commandes

# B 11

# HDS 1590

Pos. Benennung Item Description Pos. Designation	Telle-Nr. Part-No. No. piece	Stück Qty. Nbr.
1 Instrumententafel/ Control Panel/ Tableau de Bord	5.841-246.0	1
2 Gew.stift M 5x10/ Threaded Pin/ Vis Sans Tete	7.307-181.0	1
3 Stopfen/ Plug/ Bouchon	5.132-010.0	3
4 Griff/ Handle/ Poignee	5.321-026.0	1
5 Senkschr. M 4x16/ Flat Headed Screw/ Vis A Tete Conique	7.305-023.0	1
6 Griff/ Handle/ Poignee	5.321-023.0	1
7 Schraubenfeder/ Helical Spring/ Ressort Cylindrique	5.332-028.0	1
9 O-Ring 42,0x2,5/ O-Ring/ Joint Torique	6.362-382.0	1
10 Schlauchschele/ Hose Band Clip/ Collifer de Serrage	6.388-515.0	3
11 Schlauch Mw7/ Hose/ Tuyau Flexible	6.388-194.0	1m
13 Ventil/ Valve/ Soupape	4.580-062.0	1
15 O-Ring 14,0x1,78/ O-Ring/ Joint Torique	6.362-395.0	2
16 Ventilboizen/ Valve Pin/ Boulon de Soupape	5.584-028.0	2
17 Schraubenfeder/ Helical Spring/ Ressort Cylindrique	5.332-076.0	2
18 Ventilstutzen/ Valve Socket/ Raccord de Soupape	5.586-014.0	2
19 Schlauchschele/ Hose Band Clip/ Collifer de Serrage	6.388-559.0	2
20 Schlauch Mw 7/ Hose/ Tuyau Flexible	6.388-225.0	4
29 Manometer 0-250 Bar/ Pressure Gauge/ Manometre	6.421-075.0	1
35 Griff/ Handle/ Poignee	5.321-328.0	1
36 Zyl.schr. M 3,5x12/ Cheese Head Screw/ Vis-A.Tete Cylindr.	7.306-415.0	1



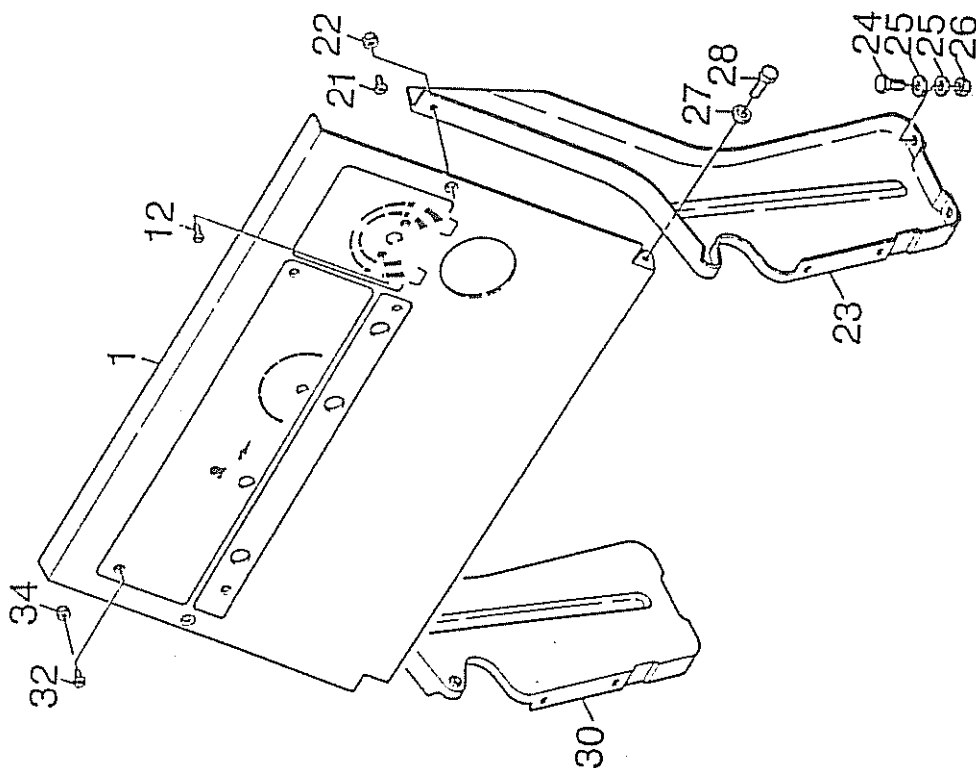
1.841-11.02.001

Gruppe 11: Instrumententafel  
 Group 11: Control panel  
 Groupe 11: Tableau de commandes

C 11

HDS 1590

Pos. Item Pos.	Benennung Description Designation	Teile-Nr. Part-No. No. piece	Stück Qty. Nbr.
1	Instrumententafel/ Control Panel/ Tableau de Bord	5.841-246.0	1
12	Senkschr. M 4x12/ Flat Headed Screw/ Vis A Tete Conique	7.305-255.0	2
21	Senkschr. M 5x10/ Flat Headed Screw/ Vis A Tete Conique	7.305-599.0	2
22	6kt-Mutter M 5/ Hexagon Nut/ Ecrou Hexagonale	7.311-421.0	2
23	Staender-Rechts/ Stay-Right/ Montants-Droite	5.052-013.0	1
24	6kt-Schr. M 8x16/ Hexagonale Head Scre/ Vis 6 Pans	7.304-395.0	4
25	Zahnscheibe A 8.4/ Lock Washer/ Roue Plate	7.312-159.0	8
26	6kt-Mutter M 8/ Hexagon Nut/ Ecrou Hexagonale	7.311-004.0	4
27	Zahnscheibe A 5.3/ Lock Washer/ Roue Plate	7.312-172.0	2
28	Schneidschr. M5x12/ Self-Tapping Screw/ Vis Autotaraudeuse	6.303-012.0	2
30	Staender-Links/ Stay-Left/ Montants-Gauche	5.052-012.0	1
32	Senkschr. M 5x10/ Flat Headed Screw/ Vis A Tete Conique	7.305-599.0	4
34	6kt-Mutter M 5/ Hexagon Nut/ Ecrou Hexagonale	7.311-421.0	4



1.841-11.03.001



**KÄRCHER**

**A 12**

**HDS 1590**

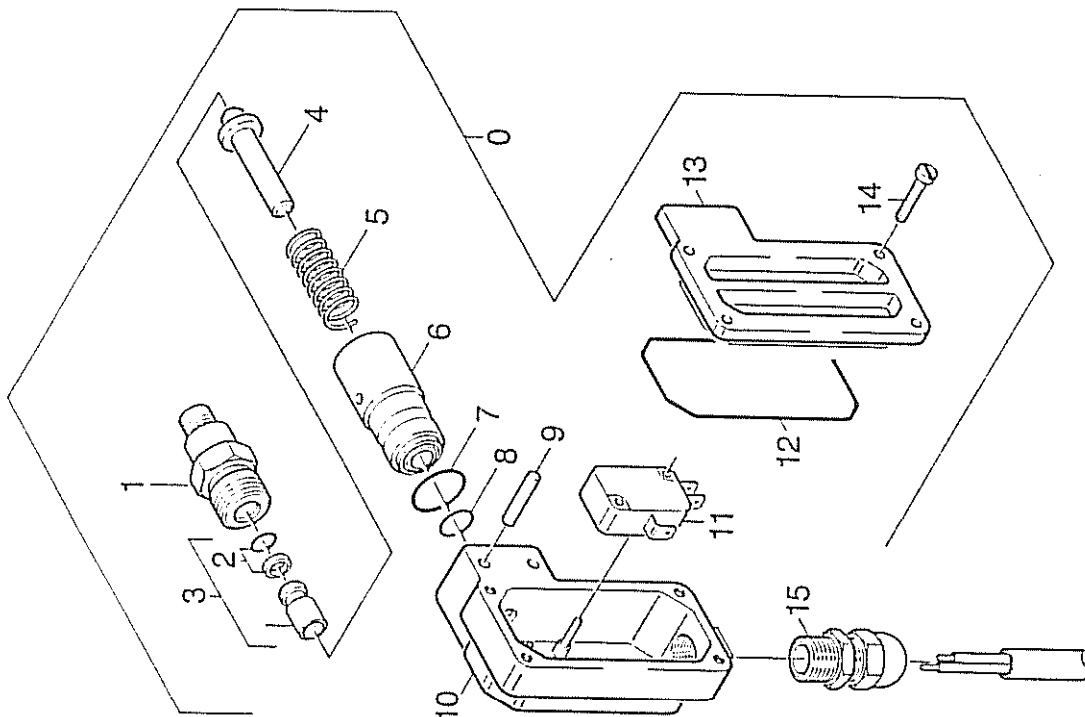
**Gruppe 12: Druckschalter**  
**Group 12: Pressure switch**  
**Groupe 12: Pressostat**

Gruppe: 12 Druckschalter  
 Group: 12 Pressure switch  
 Groupe: 12 Pressostat

# B12

# HDS 1590

Pos. Item Pos.	Benennung Description Designation	Teile-Nr. Part-No. No. piece	Stück Qty. Nbr.
0	Druckschalter/ Pressure Switch/ Pressostat	4.747-051.0	1
1	Formschraube/ Screw/ Vis	5.305-180.0	1
2	O-Ring Kpl./1st.-R./ O-Ring/ Joint Torique	6.362-368.0	1
3	Kolben/ Piston/ Piston	4.553-025.0	1
4	Kolben/ Piston/ Piston	5.553-241.0	1
5	Schraubenfeder/ Helical Spring/ Ressort Cylindrique	5.332-268.0	1
6	Mutter / Nut / Ecrou	5.311-154.0	1
7	O-Ring 13,3x2,4/ O-Ring/ Joint Torique	6.362-078.0	1
8	O-Ring 5,28x1,78/ O-Ring/ Joint Torique	6.362-175.0	1
9	Zyl.kerbsti. 4,0x20/ Grooved Pin/ Goupille Can.	7.314-630.0	1
10	Gehaeuse/ Housing/ Carter	5.060-367.0	1
11	Mikroschalter/ Micro Switch/ Microrupteur	6.631-571.0	1
12	O-Ring/ O-Ring/ Joint Torique	6.362-691.0	1
13	Deckel/ Cover/ Couvercle	5.063-412.0	1
14	Linssenschr. 2,9x13/ Oval Head Screw/ Vis A Tete Bombee	6.303-058.0	1
15	Kabelversch. Pg 9/ Cable Connector/ Raccord de Cables	6.641-824.0	1



1.891-12.02.001

# H 16

# HDS 1590

Teile sind im Pumpenset 2.880-392 enthalten  
Parts included in pump kit 2.880-392  
Pièces comprises dans le jeu de pièces  
de rechange pompe 2.880-392

Gruppe Group Groupe	Pos. Item Pos.	Benennung Designation Designation	Teile-Nr. Part No. No. pièces	Stck. Qty. Nbr.
2	10	O-Ring 115x1,78 / O-ring / Joint-torique	6.362-447	1
	12	O-Ring 40x2 / O-ring / Joint torique	6.362-216	3
	13	Nutring 24x34x6/8 / Grooved ring / Joint en u a levers	6.365-068	3
	15	Nutring 24x36x7 / Grooved ring Joint en u a levers	6.365-069	3
	17	Scheibe / Disk / Disque	5.115-307	3
	18	Nutring 24x34 / Grooved ring / Joint en u a levers	6.365-067	3
	48	Ventil komplett / Valve compl. Soupape compl.	4.580-132	3
	59	Valve komplett / Valve compl./ Soupape compl.	4.581-140	2



# J 16

# HDS 1590

Teile sind im Ersatzteilset 2.883-018 enthalten  
Parts included in spare kits 2.883-018  
Pièces comprises dans le jeu de pièces rechange 2.883-018

Gruppe Group Groupe	Pos. Item Pos.	Benennung Designation Designation	Teile-Nr. Part No. No. pièces	Stck. Qty. Nbr.
2	2	O-Ring komplett / O-ring compl. / Joint torique compl.	6.362-365	1
	10	O-Ring 115x1,78 / O-ring / Joint torique	6.362-447	1
	12	O-Ring 40x2 / O-ring / Joint torique	6.362-216	3
	13	Nutring 24x34x6/8 / Packing ring / Joint rainure	6.365-068	3
	15	Nutring 24x34x7 / Packing ring / Joint rainure	6.365-069	3
	17	Scheibe / Disk / Disque	5.115-307	3
	18	Nutring 24x34 / Packing ring / Joint rainure	6.365-067	3
5	3	O-Ring 32x1,6 / O-ring / Joint torique	6.472-111	1
	4	O-Ring 10x2,4 / O-ring / Joint torique	6.472-112	1
	5	Filtereinsatz / Filter element / Cartouche de filtre	6.472-113	1
9	4	Dichtring / Gasket / Joint	5.363-094	1
	19	Stieb / Filter / Crepine	6.414-111	1
	20	O-Ring 17,3x2,4 / O-ring / Joint torique	6.362-160	1





# K 16

# HDS 1590

Teile sind im Ersatzteilset 2.883-018 enthalten  
Parts included in spare kits 2.883-018  
Pièces comprises dans le jeu de pièces rechange 2.883-018

Gruppe Group Groupe	Pos. Item Pos.	Benennung Designation Designation	Teile-Nr. Part No. No. pièces	Stck. Qty. Nbr.
10	17	O-Ring-Set kompl. / O-ring Set compl. / Joint torique compl. /	6.362-477	1
	34	O-Ring-Set (5 Stück) / O-ring Set (5 pieces) / Joint torique (5 joints)	2.800-296	1
	36	Verschraubungsteil / Screw Fitting / Raccord Visse	5.401-129	1

