



**Ersatzteilliste**  
**Spare Parts List**  
**Liste des pieces de rechange**

1.173-601.0 HDS 698 C Eco  
1.173-621.0 HDS 698 C Eco  
1.173-622.0 HDS 698 C Eco

03/04

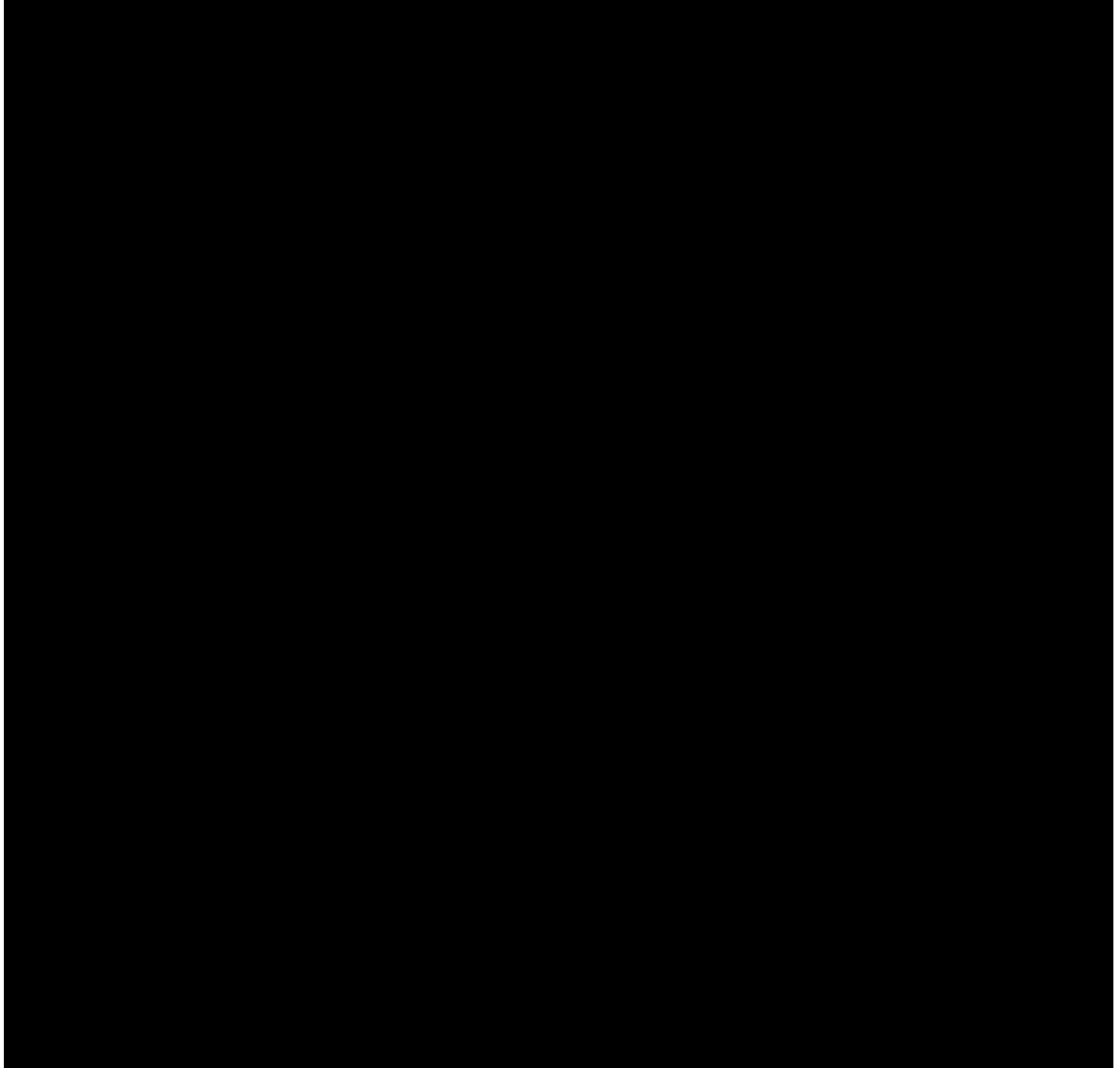
[www.kaercher.com](http://www.kaercher.com)

F 2009616  
5.970-422.0

PIECE PARTS



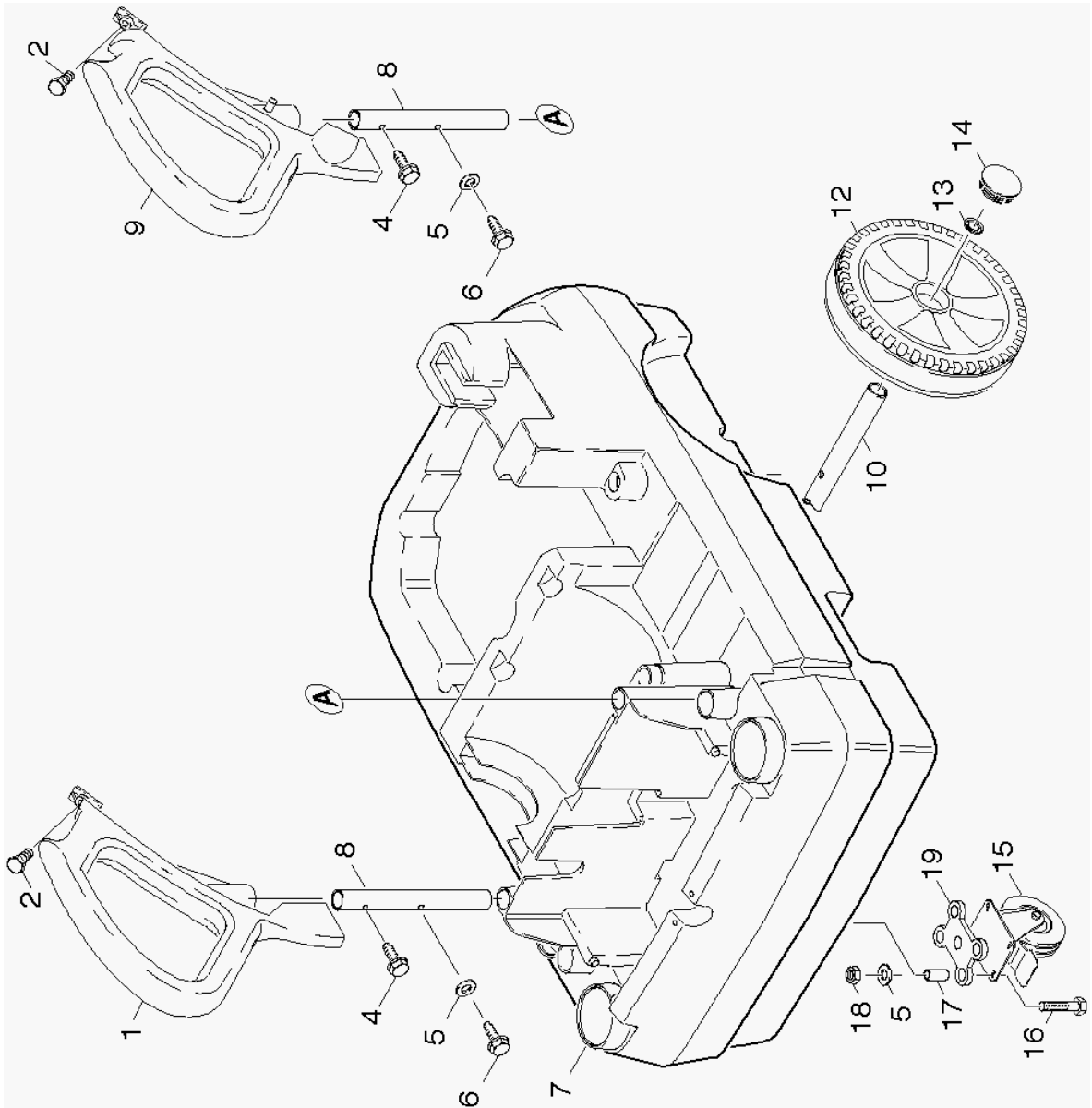
COVER



**COVER**

POS ITM. POS.	BENENNUNG DESCRIPTION DESIGNATION	TEILE-NR PART-NO NO. PIECE	STCK QTY. NBR	AB WERK-NR FROM SERIAL-NO TO SERIAL-NO	BIS WERK-NR
0001	Device cover complete	4.067-048.0	1,000		
0002	COIL SPRING	5.332-236.0	1,000		
0004	BOLT	5.316-318.0	1,000		
0005	BRACKET	5.044-216.0	1,000		
0006	BRACKET	5.044-196.0	2,000		
0007	BOLT	5.316-893.0	2,000		
0009	Control panel neutrally	5.841-474.0	1,000		
0010	SCREW 5X30	7.303-086.0	4,000		

FRAME



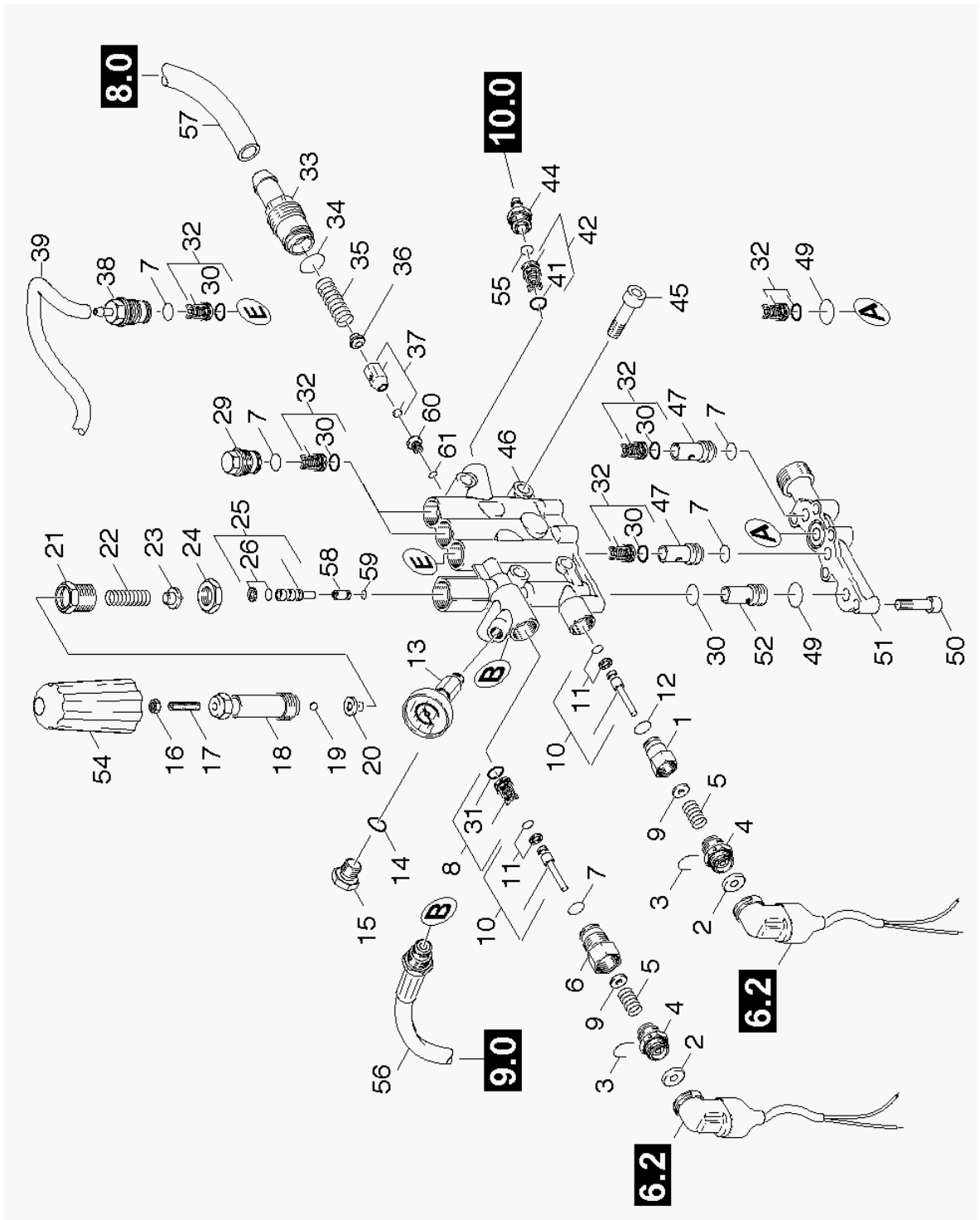
**FRAME**

POS ITM. POS.	BENENNUNG DESCRIPTION DESIGNATION	TEILE-NR PART-NO NO. PIECE	STCK QTY. NBR	AB WERK-NR FROM SERIAL-NO TO SERIAL-NO	BIS WERK-NR
0001	HANDLE LINKS	5.321-580.0	1,000		
0002	SCREW	7.303-114.0	2,000		
0004	SCREW	6.303-305.0	2,000		
0005	DISC	7.312-277.0	6,000		
0006	SCREW	6.303-191.0	2,000		
0007	CHASSIS	4.050-436.0	1,000		
0008	HANDLE	5.321-582.0	2,000		
0009	HANDLE	5.321-576.0	1,000		
0010	AXLE	5.105-298.0	1,000		
0011	SLEEVE	5.110-773.0	2,000		
0012	Wheel complete	4.515-254.0	2,000		
0013	CLAMP DISC	6.343-217.0	2,000		
0014	WHEEL CAB	5.392-038.0	2,000		
0015	CASTOR	6.435-116.0	1,000		
0016	HEX SCREW	7.304-096.0	4,000		
0017	Spacer sleeve	5.111-005.0	4,000		
0018	NUT M8	7.311-004.0	4,000		
0019	Holder distance	5.044-791.0	1,000		

PUMP-SET



CYLINDER HEAD





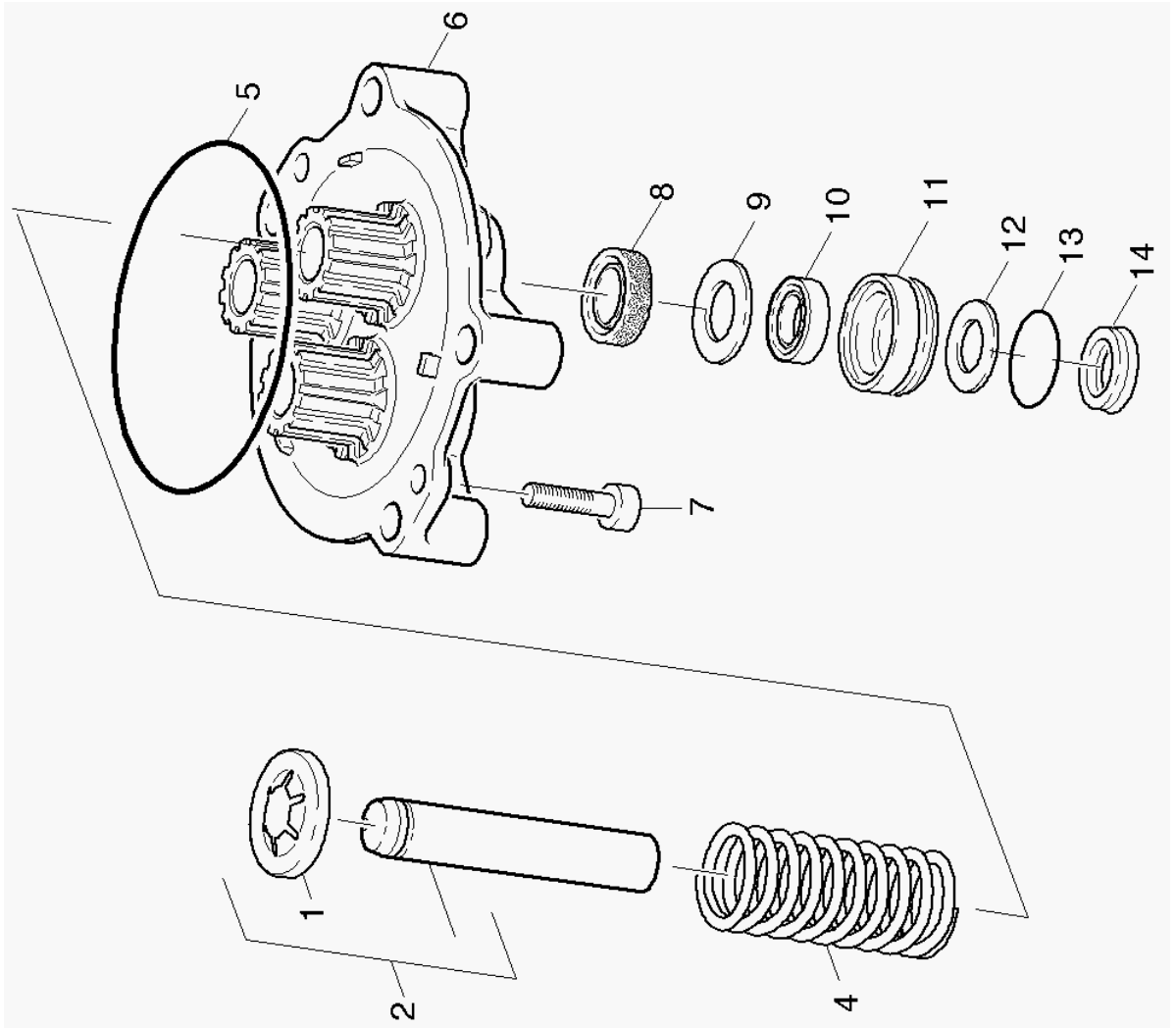
**CYLINDER HEAD**

POS ITM. POS.	BENENNUNG DESCRIPTION DESIGNATION	TEILE-NR PART-NO NO. PIECE	STCK QTY. NBR	AB WERK-NR FROM SERIAL-NO TO SERIAL-NO	BIS WERK-NR
0001	CONNECTION PIECE	5.402-686.0	1,000		
0002	DIAPHRAGM	5.367-030.0	2,000		
0003	CLIP	5.034-494.0	2,000		
0004	CLOSING SCREW	5.411-148.0	2,000		
0005	HELICAL SPRING	5.332-268.0	2,000		
0006	VALVE SCREW	5.583-161.0	1,000		
0007	O-RING 14,2	6.362-481.0	6,000		
0008	VALVE	4.580-262.0	1,000		
0009	WASHER	5.115-796.0	2,000		
0010	PISTON	4.553-197.0	2,000		
0011	O RING	6.362-368.0	2,000		
0012	O RING 4.47X 1.78	6.362-853.0	1,000		
0013	PRESSURE GAUGE	6.421-215.0	1,000		
0014	ROUND CORD RING	6.362-101.0	1,000		
0015	SCREW PLUG	5.411-070.0	1,000		
0016	HEX NUT	7.311-002.0	1,000		
0017	THREADED PIN	7.307-017.0	1,000		
0018	HEXAGON	5.304-070.0	1,000		
0019	BALL	7.401-931.0	1,000		
0020	VALVE SPRING	5.582-121.0	1,000		
0021	HOLLOW SCREW	5.404-082.0	1,000		
0022	HELICAL SPRING	5.332-444.0	1,000		
0023	VALVE PIN	5.584-114.0	1,000		
0024	HEXAGON	5.311-204.0	1,000		
0025	PISTON KPL	4.553-198.0	1,000		
0026	O-RING COMPL	6.362-468.0	1,000		
0029	VALVE SCREW	5.583-146.0	2,000		
0030	GASKET	6.363-003.0	6,000		
0031	O RING	6.362-381.0	1,000		
0032	VALVE	4.580-329.0	6,000		
0033	VALVE SCREW	5.583-130.0	1,000		
0034	O RING 12.0 X 2.0	6.362-169.0	1,000		
0035	HELICAL SPRING	5.332-414.0	1,000		
0036	VALVE PIN	5.584-060.0	1,000		
0037	VALVE DISC	4.582-019.0	1,000		
0038	VENTILATION VALVE	4.580-376.0	1,000		
0039	HOSE	6.388-216.0	1,000		
0041	CORD RING	6.362-077.0	1,000		
0042	VALVE KOMPL	4.580-349.0	1,000		
0044	HOSE STEM	5.443-455.0	1,000		
0045	CHEESE HAED SCREW	7.306-106.0	4,000		
0046	CYLINDER HEAD	4.550-459.0	1,000		

**CYLINDER HEAD**

POS ITM. POS.	BENENNUNG DESCRIPTION DESIGNATION	TEILE-NR PART-NO NO. PIECE	STCK QTY. NBR	AB WERK-NR FROM SERIAL-NO TO SERIAL-NO	BIS WERK-NR
0047	SLEEVE	5.110-608.0	2,000		
0049	O-RING	6.362-547.0	2,000		
0050	CHEESE HEAD SCREW	7.306-043.0	5,000		
0051	VALVE HOUSING	5.587-192.0	1,000		
0052	SLEEVE	5.110-797.0	1,000		
0054	HANDLE	5.321-579.0	1,000		
0055	O RING	6.362-151.0	1,000		
0056	HIGH PRESSURE HOSE DN 13	4.440-766.0	1,000		
0057	HOSE	6.388-167.0	1,000		
0058	VALVE SEAT	5.581-239.0	1,000		
0059	O RING	6.362-386.0	1,000		
0060	VALVE SEAT	5.581-231.0	1,000		
0061	O RING	6.362-703.0	1,000		
0100	PUMP SET	2.883-891.0	1,000		

PISTON

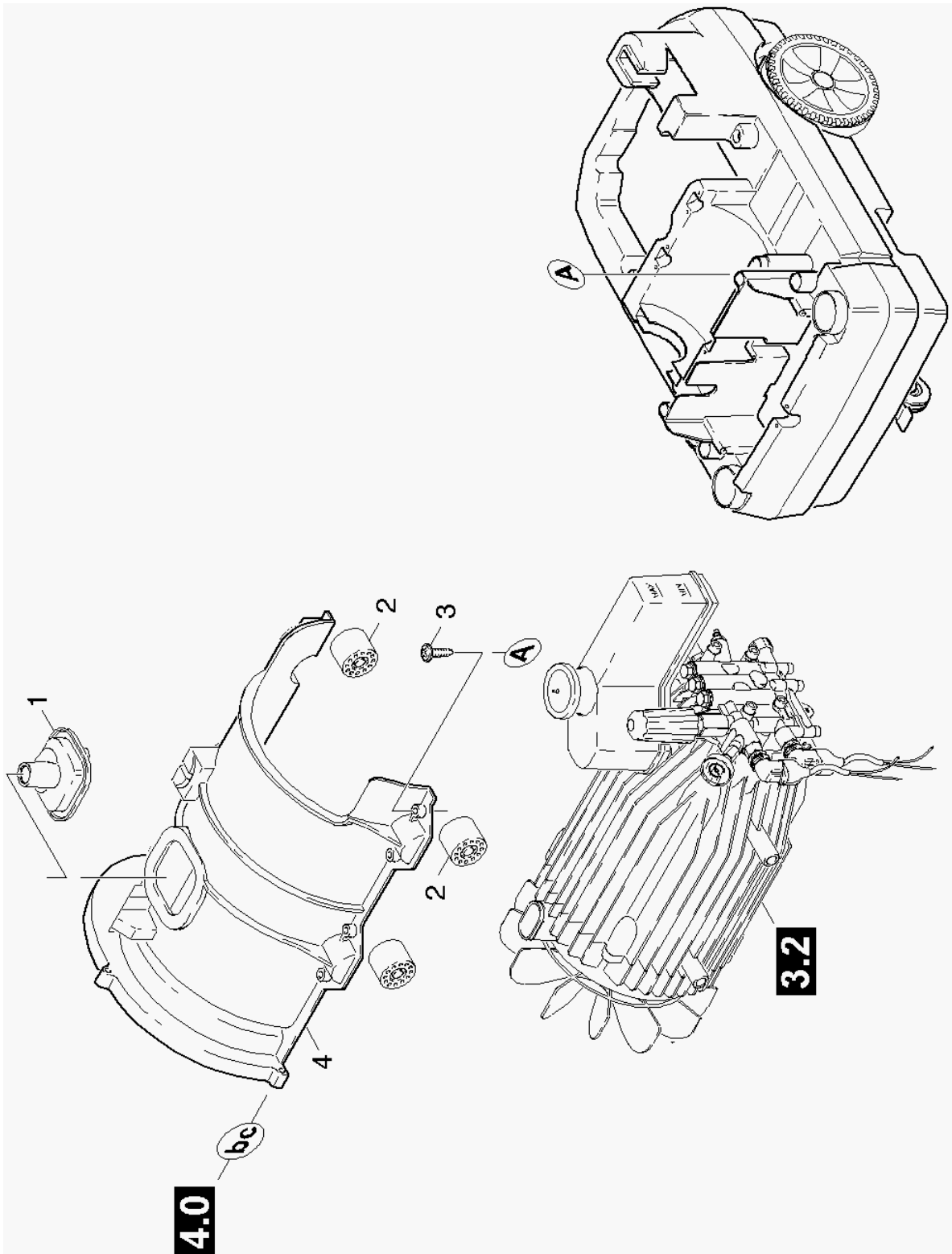


**PISTON**

POS ITM. POS.	BENENNUNG DESCRIPTION DESIGNATION	TEILE-NR PART-NO NO. PIECE	STCK QTY. NBR	AB WERK-NR FROM SERIAL-NO TO SERIAL-NO	BIS WERK-NR
0001	SHAPED PART	5.030-625.0	3,000		
0002	PISTON	4.553-192.0	3,000		
0004	SPRING	5.332-427.0	3,000		
0005	GASKET	6.362-768.0	1,000		
0006	PISTON GUIDE	5.060-677.0	1,000		
0007	SCREW	7.303-047.0	2,000		
0008	U AND V RING	6.365-340.0	3,000		
0009	WASHER	5.115-744.0	3,000		
0010	SEAL	6.365-438.0	3,000		
0011	BUSH	5.112-576.0	3,000		
0012	WASHER	5.115-465.0	3,000		
0013	O RING 24.0 X 1.5	6.362-376.0	3,000		
0014	GROOVED RING	6.365-432.0	3,000		

MOTOR



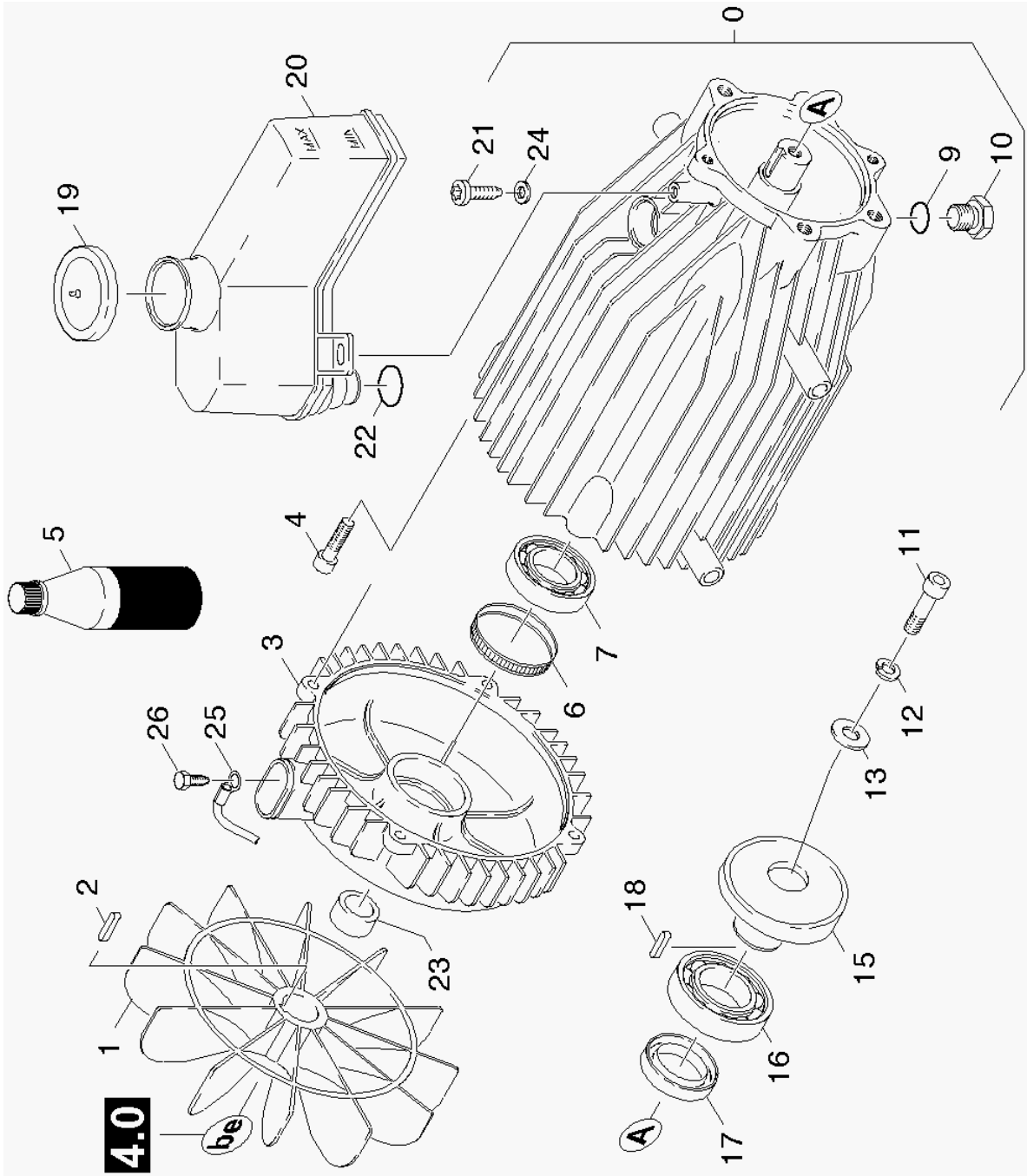


**SUPPORT**

POS ITM. POS.	BENENNUNG DESCRIPTION DESIGNATION	TEILE-NR PART-NO NO. PIECE	STCK QTY. NBR	AB WERK-NR FROM SERIAL-NO TO SERIAL-NO	BIS WERK-NR
---------------------	---	----------------------------------	---------------------	---	-------------

0001	CABLE GLAND	5.810-016.0	1,000		
0002	RUBBER BUFFER	5.767-005.0	4,000		
0003	SCREW	7.303-109.0	8,000		
0004	AIR CIRCULATION	5.060-728.0	1,000		

MOTOR





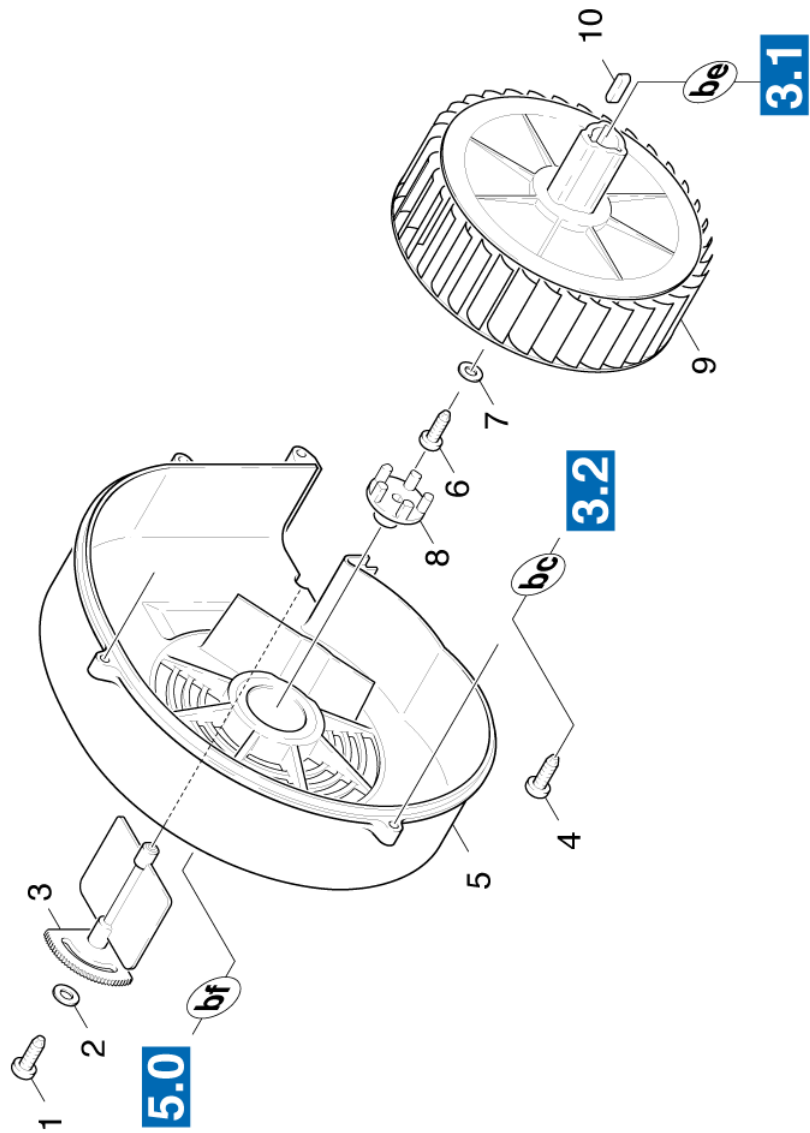
**MOTOR**

POS ITM. POS.	BENENNUNG DESCRIPTION DESIGNATION	TEILE-NR PART-NO NO. PIECE	STCK QTY. NBR	AB WERK-NR FROM SERIAL-NO TO SERIAL-NO	BIS WERK-NR
0000	MOTOR KPL.	4.623-418.0	1,000		
0001	BLOWER WHEEL	5.600-046.0	1,000		
0002	SPRING	7.318-079.0	1,000		
0003	COVER	5.063-802.0	1,000		
0004	SCREW M 5X 20	7.303-041.0	4,000		
0005	OIL 90 SPEC	6.288-016.0	1,000		
0006	TOLERANCE RING	6.343-015.0	1,000		
0007	BALL BEARING	6.401-331.0	1,000		
0009	GASKET 11 X 2	6.363-273.0	1,000		
0010	CLOSING SCREW	5.411-100.0	1,000		
0011	SCREW	7.306-092.0	1,000		
0012	SPRING RING	7.313-003.0	1,000		
0013	DISC	7.312-260.0	1,000		
0015	SWASH PLATE KPL.	4.120-181.0	1,000		
0016	BALL BEARING	6.401-332.0	1,000		
0017	ROTARY SHAFT SEAL	6.367-047.0	1,000		
0018	SPRING	7.318-003.0	1,000		
0019	CAP	5.063-195.0	1,000		
0020	OIL TANK	5.070-521.0	1,000		
0021	SCREW	7.303-038.0	1,000		
0022	O RING	6.362-161.0	1,000		
0023	SLEEVE	5.110-753.0	1,000		
0024	DISC	7.312-003.0	1,000		
0025	CABLE 1,5X 450 -GG	4.820-578.0	1,000		
0026	SCREW	7.303-031.0	1,000		

BLOWER



**BLOWER**



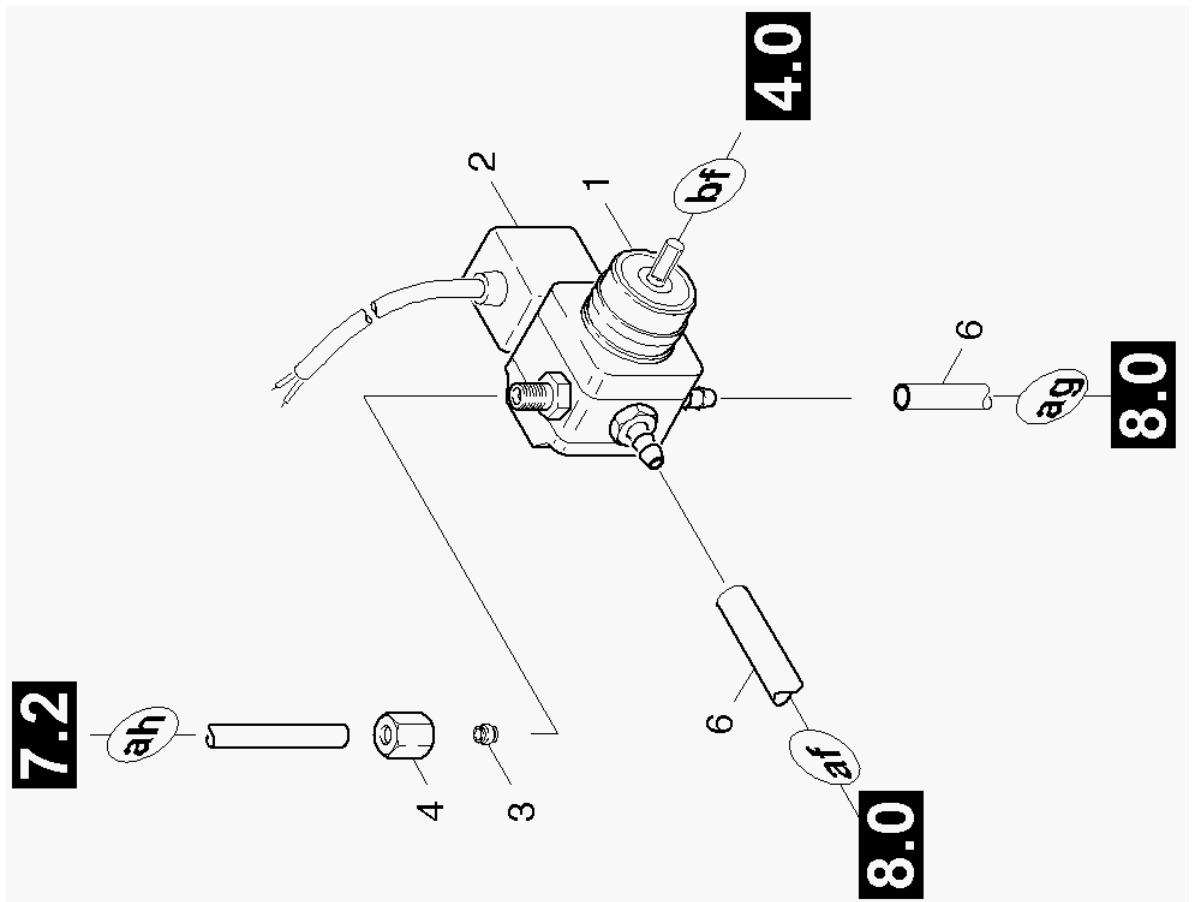
**BLOWER**

POS ITM. POS.	BENENNUNG DESCRIPTION DESIGNATION	TEILE-NR PART-NO NO. PIECE	STCK QTY. NBR	AB WERK-NR FROM SERIAL-NO TO SERIAL-NO	BIS WERK-NR
0001	SHEET METAL SCREW	7.303-077.0	1,000		
0002	DISK	7.312-278.0	1,000		
0003	AIR FLAP	5.606-007.0	1,000		
0004	SCREW	7.303-084.0	4,000		
0005	COVER	5.063-826.0	1,000		
0006	SCREW	6.304-145.0	1,000		
0007	DISC	7.312-276.0	1,000		
0008	COUPLER	5.471-097.0	1,000		
0009	BLOWER WHEEL	5.600-062.0	1,000		
0010	SPRING	7.318-005.0	1,000		

FUEL PUMP



FUEL PIPE

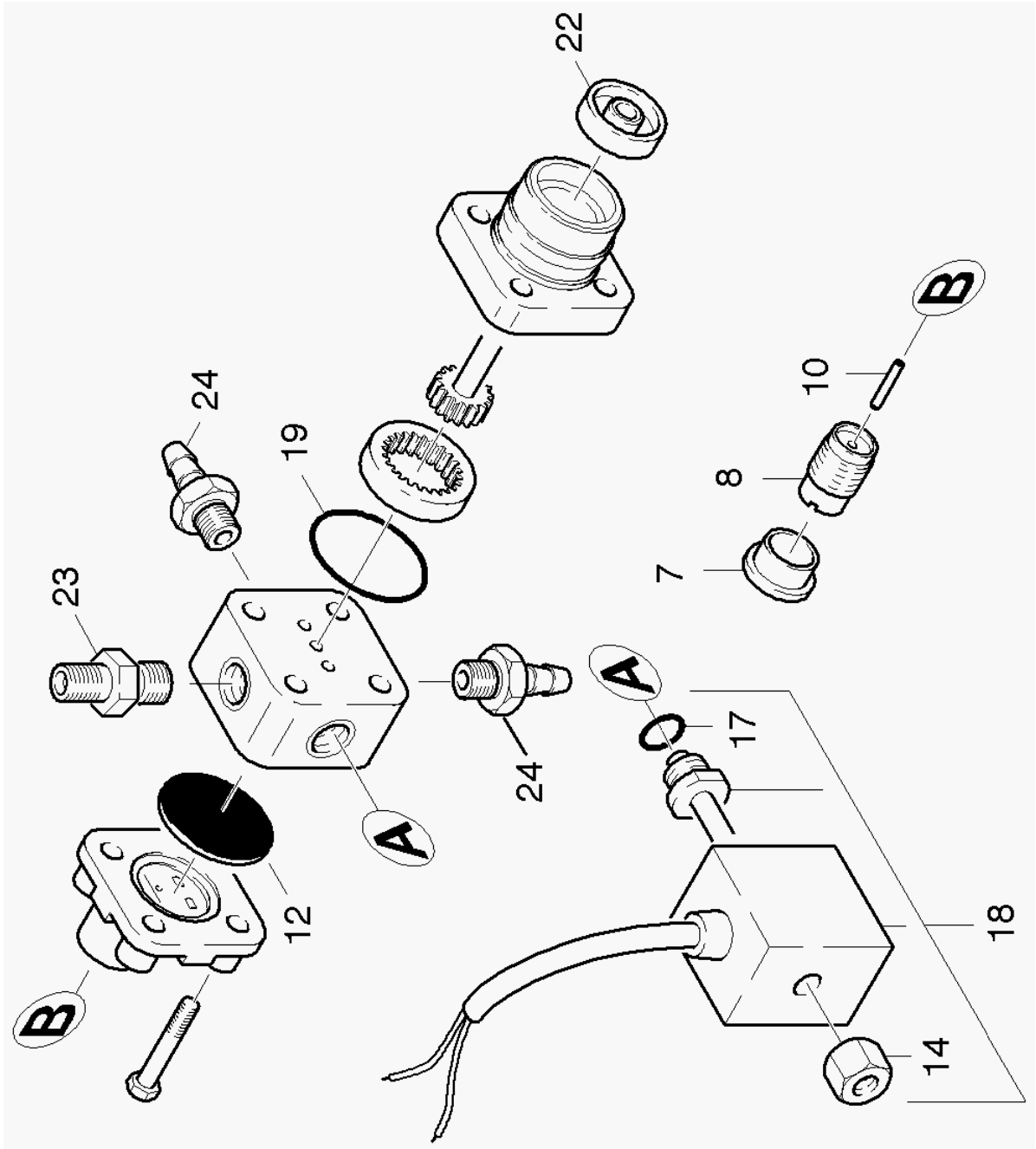


**FUEL PIPE**

POS ITM. POS.	BENENNUNG DESCRIPTION DESIGNATION	TEILE-NR PART-NO NO. PIECE	STCK QTY. NBR	AB WERK-NR FROM SERIAL-NO TO SERIAL-NO	BIS WERK-NR
---------------------	---	----------------------------------	---------------------	---	-------------

0001	FUEL PUMP	6.472-992.0	1,000		
0002	SOLENOID VALVE	6.472-411.0	1,000		
0003	CUTTING RING	6.389-263.0	1,000		
0004	NUT	6.389-262.0	1,000		
0006	HOSE	6.389-534.0	1,000		

FUEL PUMP





**FUEL PUMP**

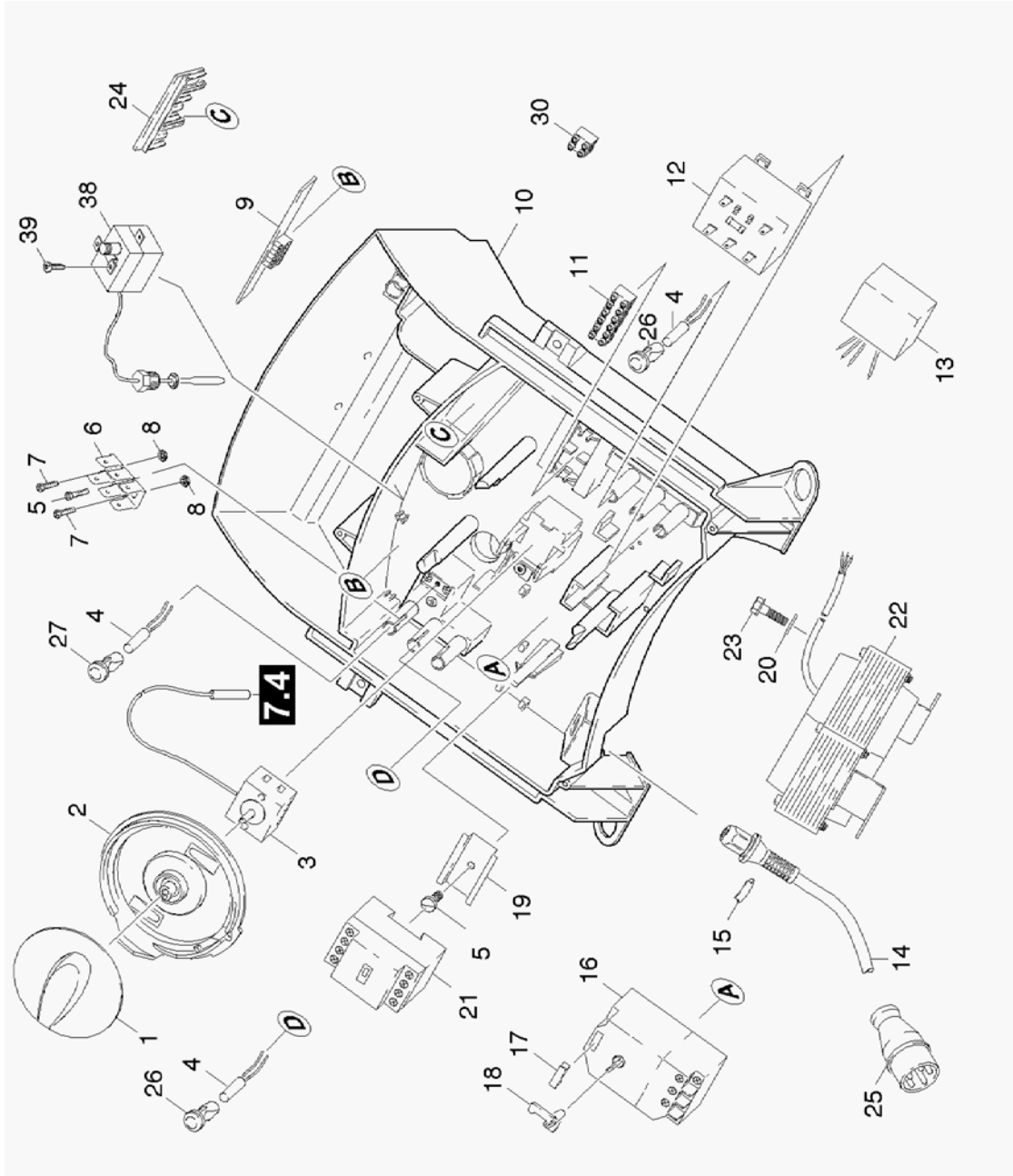
POS ITM. POS.	BENENNUNG DESCRIPTION DESIGNATION	TEILE-NR PART-NO NO. PIECE	STCK QTY. NBR	AB WERK-NR FROM SERIAL-NO TO SERIAL-NO	BIS WERK-NR
---------------------	---	----------------------------------	---------------------	---	-------------

0007	CAPS	6.472-122.0	1,000		
0008	SPRING HOUSING	6.472-109.0	1,000		
0010	PIN	6.472-108.0	1,000		
0012	DIAPHRAGM	6.472-128.0	1,000		
0014	KNURLED NUT	6.472-340.0	1,000		
0017	O-RING	6.472-125.0	1,000		
0018	SOLENOID VALVE	6.472-411.0	1,000		
0019	O RING	6.472-120.0	1,000		
0022	AXLE GASKET	6.472-105.0	1,000		
0023	SCREW UNION	6.389-261.0	1,000		
0024	HOSE STEM	6.472-927.0	2,000		

ELECTRIC CONTROL BOX



ELECTRIC CONTROL BOX

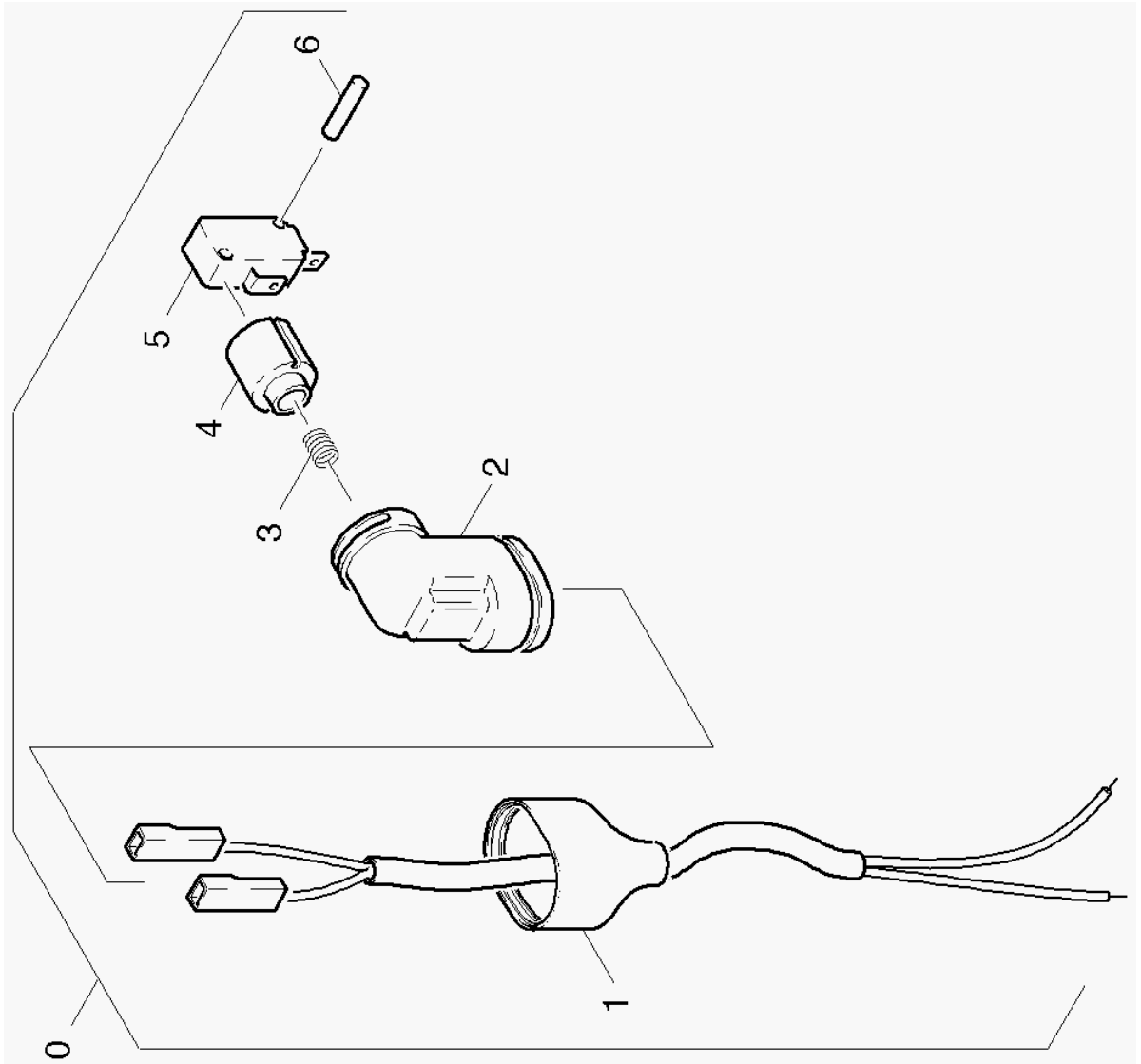


## ELECTRIC CONTROL BOX

POS ITM. POS.	BENENNUNG DESCRIPTION DESIGNATION	TEILE-NR PART-NO NO. PIECE	STCK QTY. NBR	AB WERK-NR FROM SERIAL-NO TO SERIAL-NO	BIS WERK-NR
---------------------	---	----------------------------------	---------------------	---	-------------

1	HANDLE	5.321-577.0	1,000		
2	WASHER	5.115-798.0	1,000		
3	THERMOSTAT		2.882-574.0	1,000	
4	Pilot lamp	6.651-275.0	5,000		
5	SCREW	7.303-106.0	2,000		
6	PLUG	6.641-270.0	1,000		
7	CHEESE HEAD SCREW	6.304-031.0	2,000		
8	HEX NUT	7.311-001.0	2,000		
9	PULSE GENERATOR	6.633-372.0	1,000		
10	Mounting plate	5.801-138.0	1,000		
11	STRIP TERMINAL	6.643-249.0	1,000		
12	TRANSFORMER 400V	6.622-241.0	1,000		
<b>// 1.173-601.0 / -621.0</b>					
12	TRANSFORMER 230V	6.622-242.0	1,000		
<b>// 1.173-622.0</b>					
13	INTERFERENCE SUPPRESSO	6.661-091.0	1,000		
14	CABLE	6.647-250.0	1,000		
15	CLIP	6.343-170.0	1,000		
16	SWITCH	6.631-190.0	1,000		
17	CAP	6.630-049.0	1,000		
18	LEVER	5.481-257.0	1,000		
19	MOUNTING PART	5.802-261.0	1,000		
20	WASHER	7.312-264.0	1,000		
21	CONTACTOR	6.632-310.0	1,000		
<b>// 1.173-601.0 / -621.0</b>					
21	CONTACTOR	6.632-312.0	1,000		
<b>// 1.173-622.0</b>					
22	TRANSFORMER	2.883-791.0	1,000		
<b>// 1.173-601.0 / -621.0</b>					
22	IGNITION TRANSFORMER	6.622-166.0	1,000		
<b>// 1.173-622.0</b>					
23	HEXAGONAL HEAD SCREW 5 X 20	6.303-309.0	1,000		
24	CLAMP	5.030-954.0	1,000		
25	PLUG	6.646-266.0	1,000		
26	HOUSING ROT	6.651-316.0	4,000		
27	HOUSING	6.651-421.0	1,000		
30	BINDER 16 QMM	6.643-151.0	1,000		
<b>// 1.173-622.0</b>					
38	Temperature limiter	6.686-377.0	1,000		
39	SCREW	7.306-056.0	2,000		

SWITCH



**SWITCH**

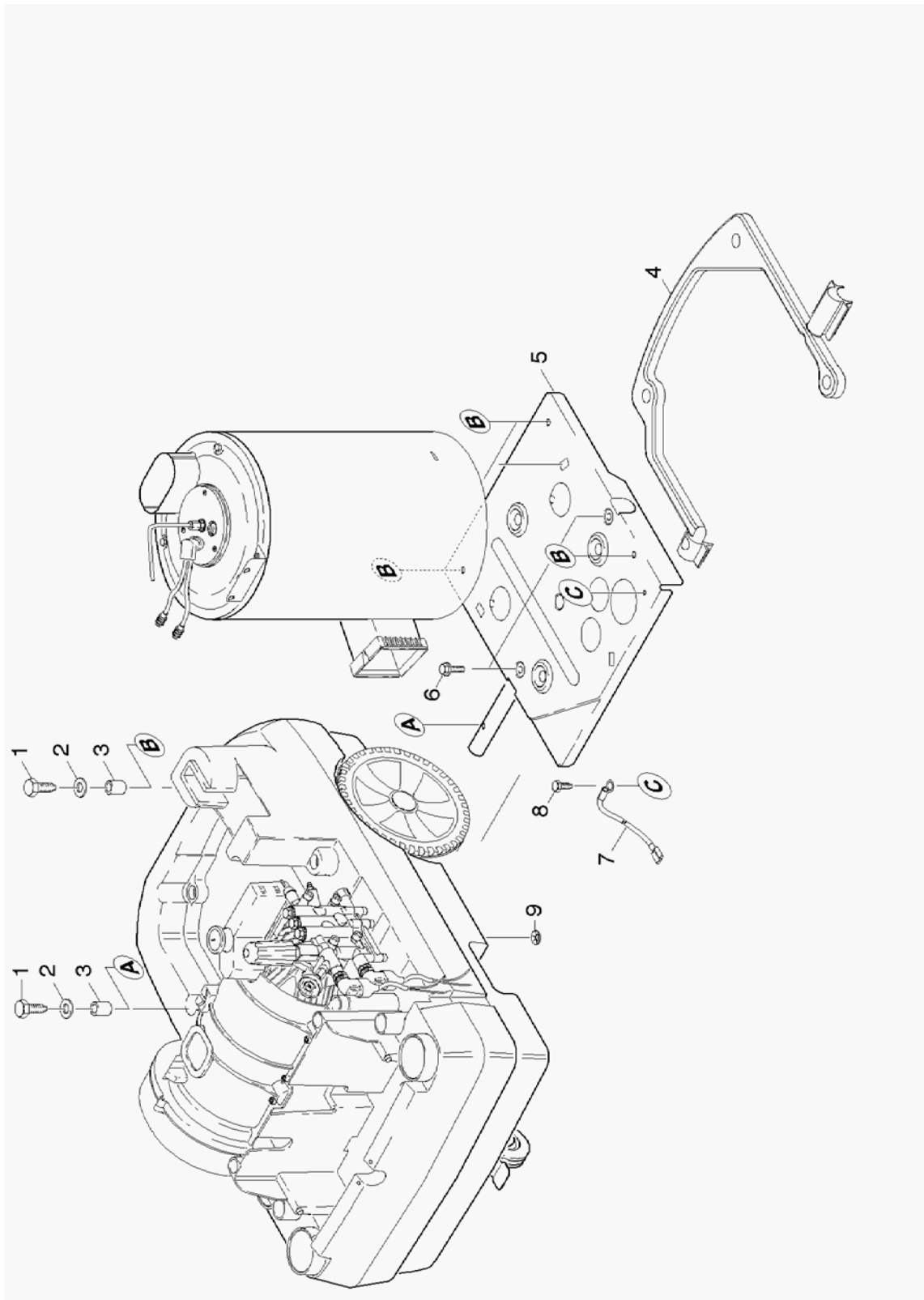
POS ITM. POS.	BENENNUNG DESCRIPTION DESIGNATION	TEILE-NR PART-NO NO. PIECE	STCK QTY. NBR	AB WERK-NR FROM SERIAL-NO TO SERIAL-NO	BIS WERK-NR
---------------------	---	----------------------------------	---------------------	---	-------------

0000	SWITCH	4.744-134.0	1,000		
0001	TRAINING CABLE	6.648-111.0	1,000		
0002	HOUSING	5.042-860.0	1,000		
0003	SPRING	5.332-322.0	1,000		
0004	BRACKET	5.053-051.0	1,000		
0005	SWITCH	6.631-807.0	1,000		
0006	GROOVED PIN	7.314-664.0	1,000		

HEATING COIL



**MOUNTING PARTS**



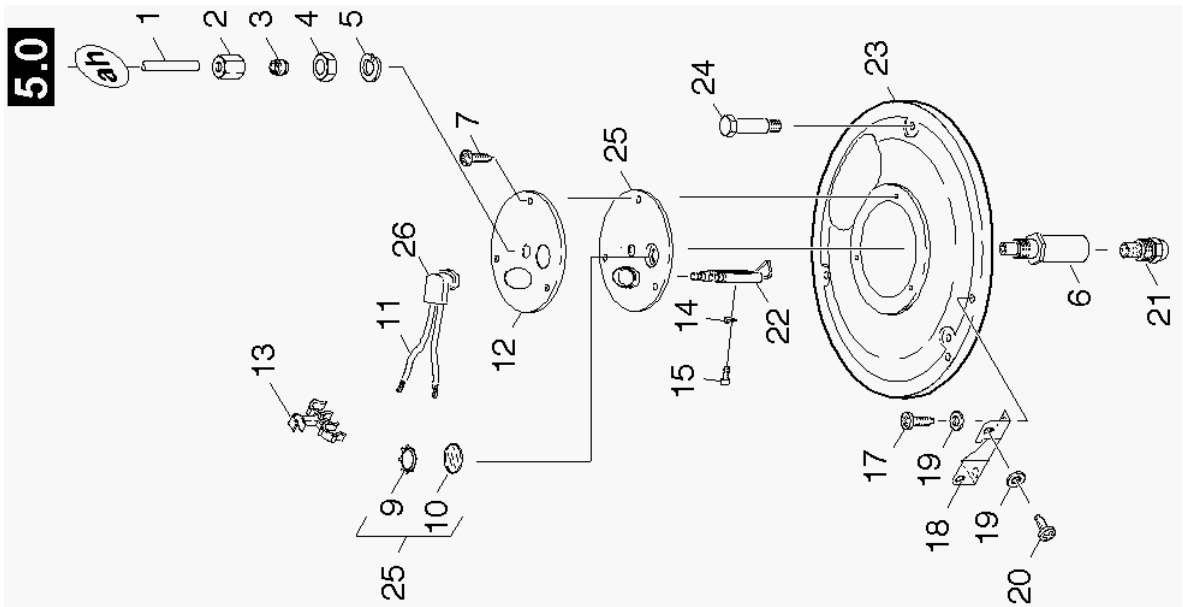


**MOUNTING PARTS**

POS ITM. POS.	BENENNUNG DESCRIPTION DESIGNATION	TEILE-NR PART-NO NO. PIECE	STCK QTY. NBR	AB WERK-NR FROM SERIAL-NO TO SERIAL-NO	BIS WERK-NR
---------------------	---	----------------------------------	---------------------	---	-------------

0001	SCREW	7.303-147.0	4,000		
0002	DISC	7.312-277.0	4,000		
0003	Sleeve	5.111-003.0	4,000		
0004	Holder distance	5.044-791.0	1,000		
0005	FRAME	5.050-111.0	1,000		
0006	SCREW	6.303-031.0	2,000		
0007	CABLE 1,5X830-GG	4.822-102.0	1,000		
0008	SCREW M 5X 10	7.303-037.0	1,000		
0009	LOCK WASHER	6.343-161.0	1,000		

BURNER COVER

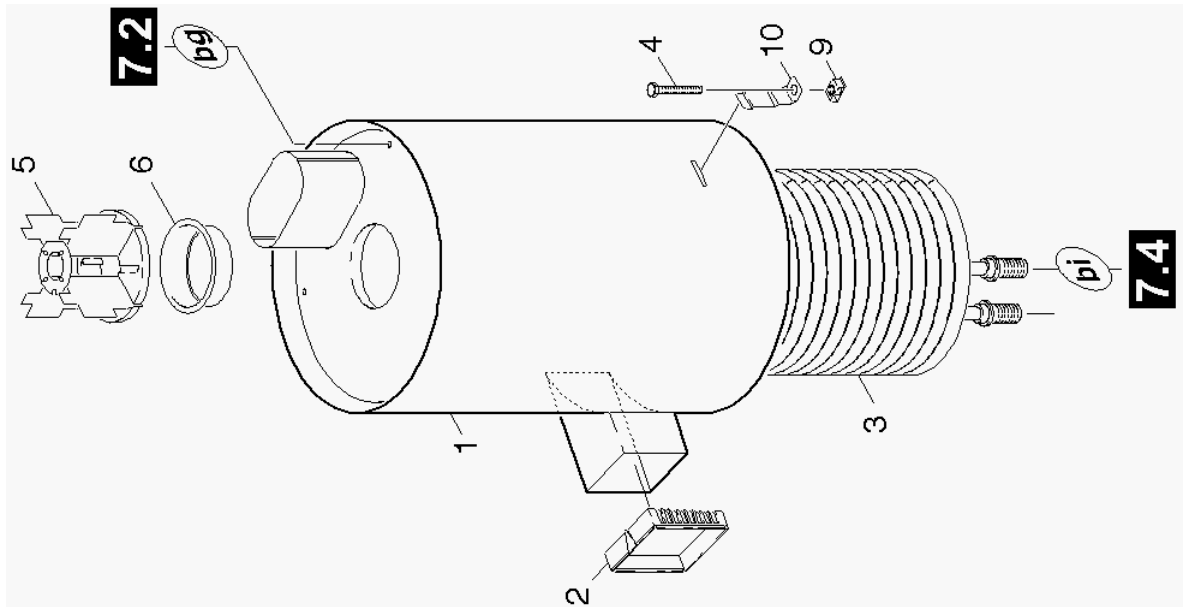


**BURNER COVER**

POS ITM. POS.	BENENNUNG DESCRIPTION DESIGNATION	TEILE-NR PART-NO NO. PIECE	STCK QTY. NBR	AB WERK-NR FROM SERIAL-NO TO SERIAL-NO	BIS WERK-NR
---------------------	---	----------------------------------	---------------------	---	-------------

0001	Conduit fuel	5.423-328.0	1,000		
0002	NUT	6.389-262.0	1,000		
0003	CUTTING RING	6.389-263.0	1,000		
0004	HEXAGON NUT	7.311-101.0	1,000		
0005	WASHER	7.312-302.0	1,000		
0006	BURNER NOZZLE HOLDER	5.667-055.0	1,000		
0009	SERRATED RING	6.343-165.0	1,000		
0010	GLASS PANE	6.278-018.0	1,000		
0011	IGNITION LEAD (HDS 557CI)	4.821-071.0	1,000		
0012	COVER	5.654-059.0	1,000		
0013	BRACKET	6.647-527.0	1,000		
0014	WASHER B 5,0	7.312-304.0	1,000		
0015	SCREW	7.306-217.0	1,000		
0017	SCREW	7.306-090.0	2,000		
0018	Bracket	5.762-343.0	1,000		
0019	DISC	7.312-276.0	4,000		
0020	SCREW M 6X 12	7.303-046.0	2,000		
0021	BURNER NOZZLE	6.415-775.0	1,000		
0022	ELECTRODE	2.884-085.0	1,000		
0023	COVER D.K.	4.654-234.0	1,000		
0024	SELF TAPPING SCREW	6.303-258.0	3,000		
0025	BURNER COVER	4.662-021.0	1,000		
0026	PROTECTION CAP	5.394-470.0	1,000		

FLOW HEATER



**FLOW HEATER**

POS ITM. POS.	BENENNUNG DESCRIPTION DESIGNATION	TEILE-NR PART-NO NO. PIECE	STCK QTY. NBR	AB WERK-NR FROM SERIAL-NO TO SERIAL-NO	BIS WERK-NR
---------------------	---	----------------------------------	---------------------	---	-------------

0001	Outer covering complete	4.652-134.0	1,000		
0002	COLLAR	5.178-037.0	1,000		
0003	Heating coil	4.680-139.0	1,000		
0004	HEXAGONAL HEAD SCREW	7.304-051.0	3,000		
0005	BURNER CAGE	4.663-123.0	1,000		
0006	BURNER PART	5.664-231.0	1,000		
0009	NUT M8	6.310-081.0	1,000		
0010	BRACKET	5.044-420.0	1,000		



**BURNER BOTTOM**

POS ITM. POS.	BENENNUNG DESCRIPTION DESIGNATION	TEILE-NR PART-NO NO. PIECE	STCK QTY. NBR	AB WERK-NR FROM SERIAL-NO TO SERIAL-NO	BIS WERK-NR
---------------------	---	----------------------------------	---------------------	---	-------------

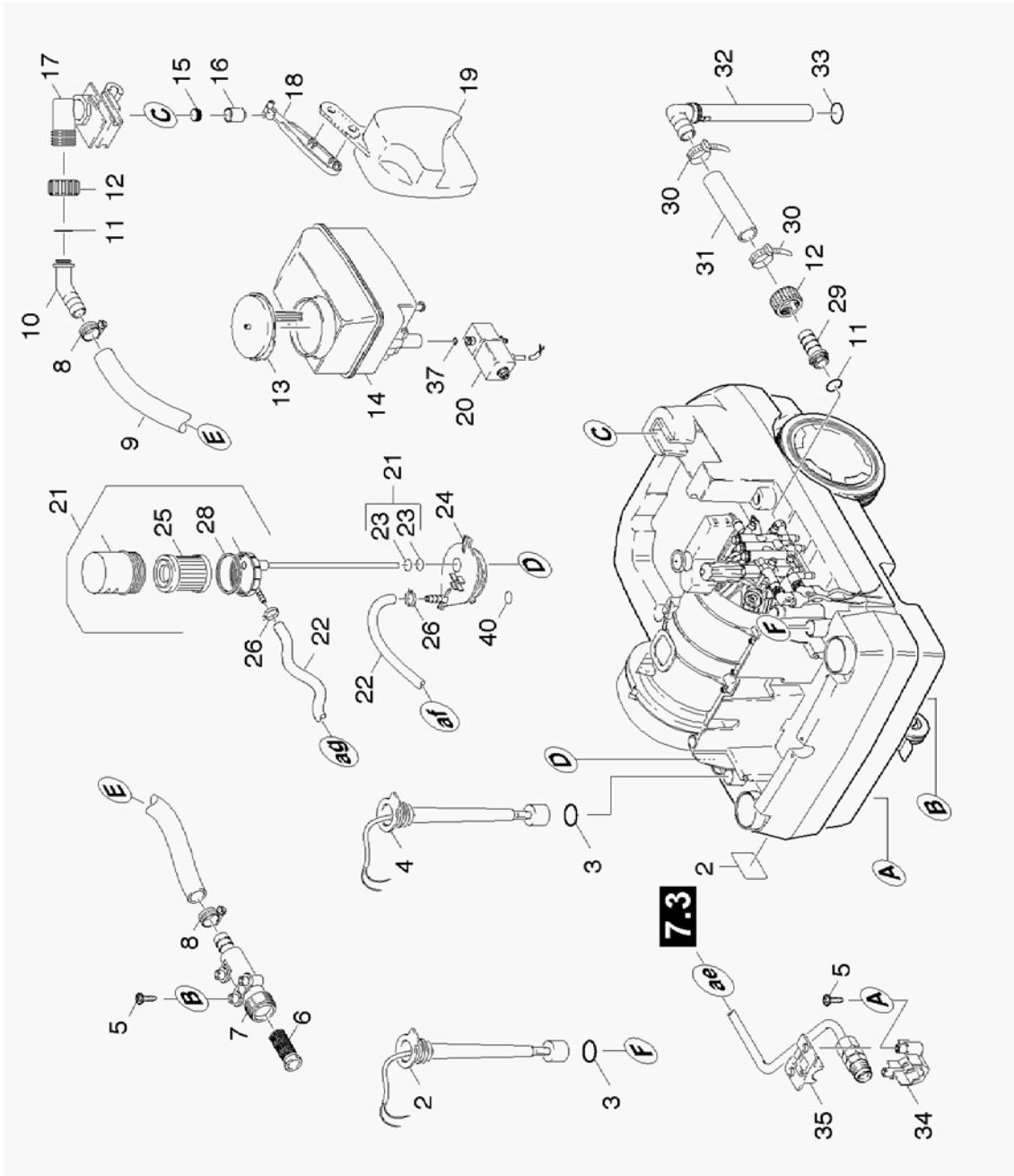
1	PROFILE GASKET	6.366-009.0	1,000		
2	HEXAGONAL NUT	7.311-112.0	2,000		
3	Pipelines	4.421-990.0	1,000		
	<b>// 1.173-601.0</b>				
3	Pipelines	4.421-993.0	1,000		
	<b>// 1.173-621.0 / -622.0</b>				
4	PLATE	4.655-044.0	1,000		
5	STAMPING MASS	2.889-061.0	1,000		
8	CLAMP ELEMENT	5.263-064.0	1,000		

PIPING





PIPING



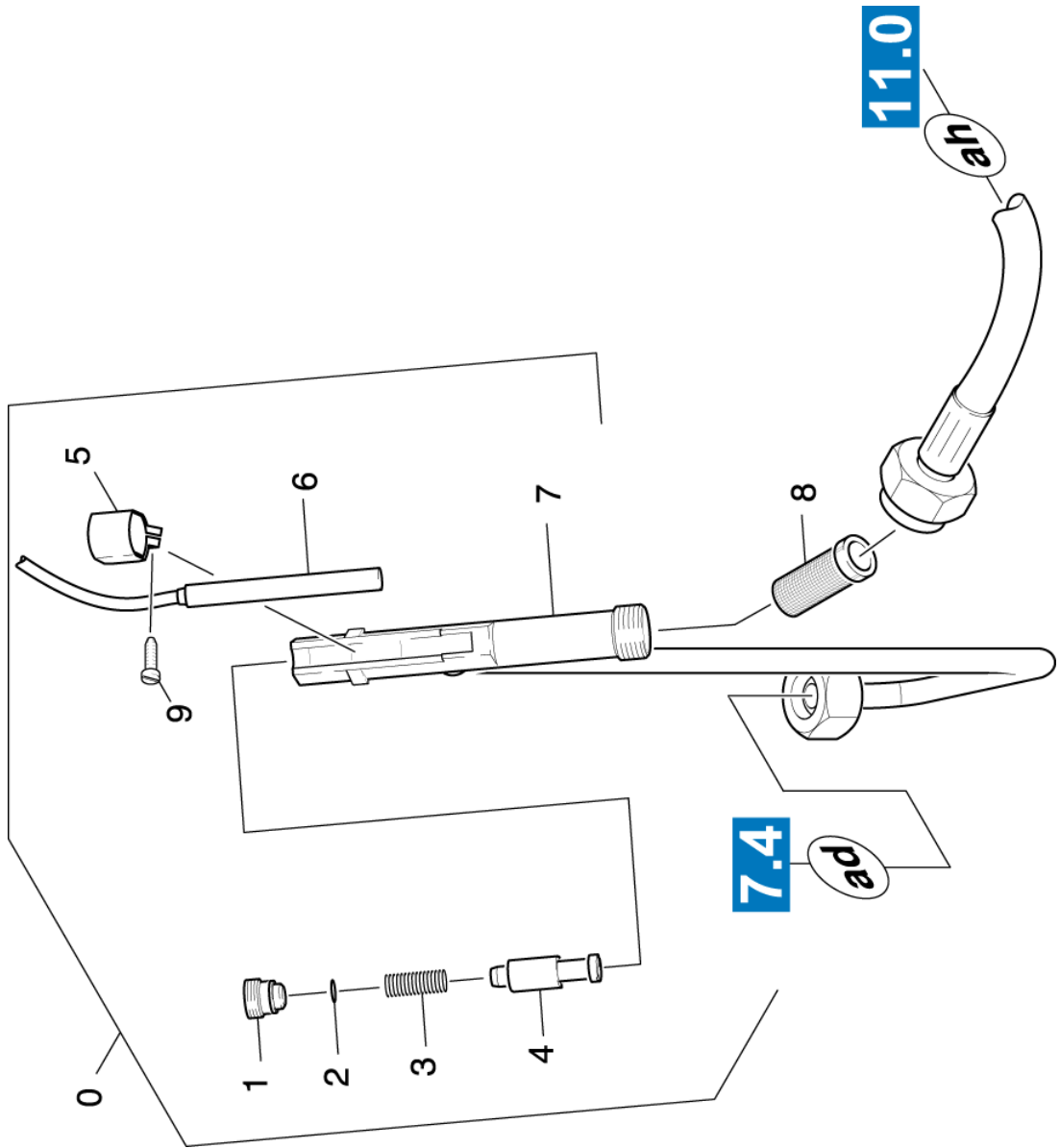
**PIPING**

POS ITM. POS.	BENENNUNG DESCRIPTION DESIGNATION	TEILE-NR PART-NO NO. PIECE	STCK QTY. NBR	AB WERK-NR FROM SERIAL-NO TO SERIAL-NO	BIS WERK-NR
---------------------	---	----------------------------------	---------------------	---	-------------

0002	Level probe chemistry	4.747-087.0	1,000		
0003	O RING	7.362-500.0	2,000		
0004	LEVEL PROBE	4.747-081.0	1,000		
0005	SCREW	7.303-114.0	4,000		
0006	FILTER	6.414-141.0	1,000		
0007	MANIFOLD	5.427-249.0	1,000		
0008	HOSE BAND CLIP A	7.373-022.0	2,000		
0009	FLEX HOSE(CUT TO REQD LENGTH-M'S)	6.388-719.0	1,000		
0010	HOSE STEM	5.443-285.0	1,000		
0011	O RING	6.362-078.0	2,000		
0012	NUT	5.310-062.0	2,000		
0013	CAP	5.063-357.0	1,000		
0014	TANK	4.070-313.0	1,000		
0015	FLAT GASKET	5.364-095.0	1,000		
0016	VALVE PIN	5.584-085.0	1,000		
0017	VALVE HOUSING	5.587-195.0	1,000		
0018	LEVER	5.481-256.0	1,000		
0019	FLOAT	5.585-030.0	1,000		
0020	SOLENOID VALVE DN3	6.686-143.0	1,000		
0021	FILTER kpl.	4.730-117.0	1,000		
0022	HOSE	6.389-534.0	1,000		
0023	O-RING 9,0 X 1,5	6.362-384.0	2,000		
0024	COVER	5.064-179.0	1,000		
0025	FILTER	6.414-559.0	1,000		
0026	HOSE BAND CLIP	6.389-768.0	2,000		
0028	SEAL	5.363-629.0	1,000		
0029	HOSE STEM (HDS555C)	5.443-365.0	1,000		
0030	HOLDER	6.641-474.0	2,000		
0031	HOSE	6.390-312.0	1,000		
0032	CONNECTION PIECE	5.443-459.0	1,000		
0033	O RING	6.362-161.0	1,000		
0034	CLAMP ELEMENT	5.263-065.0	1,000		
0035	CLAMP ELEMENT	5.263-066.0	1,000		
0040	O RING	6.362-499.0	1,000		

**SAFETY SYSTEM**





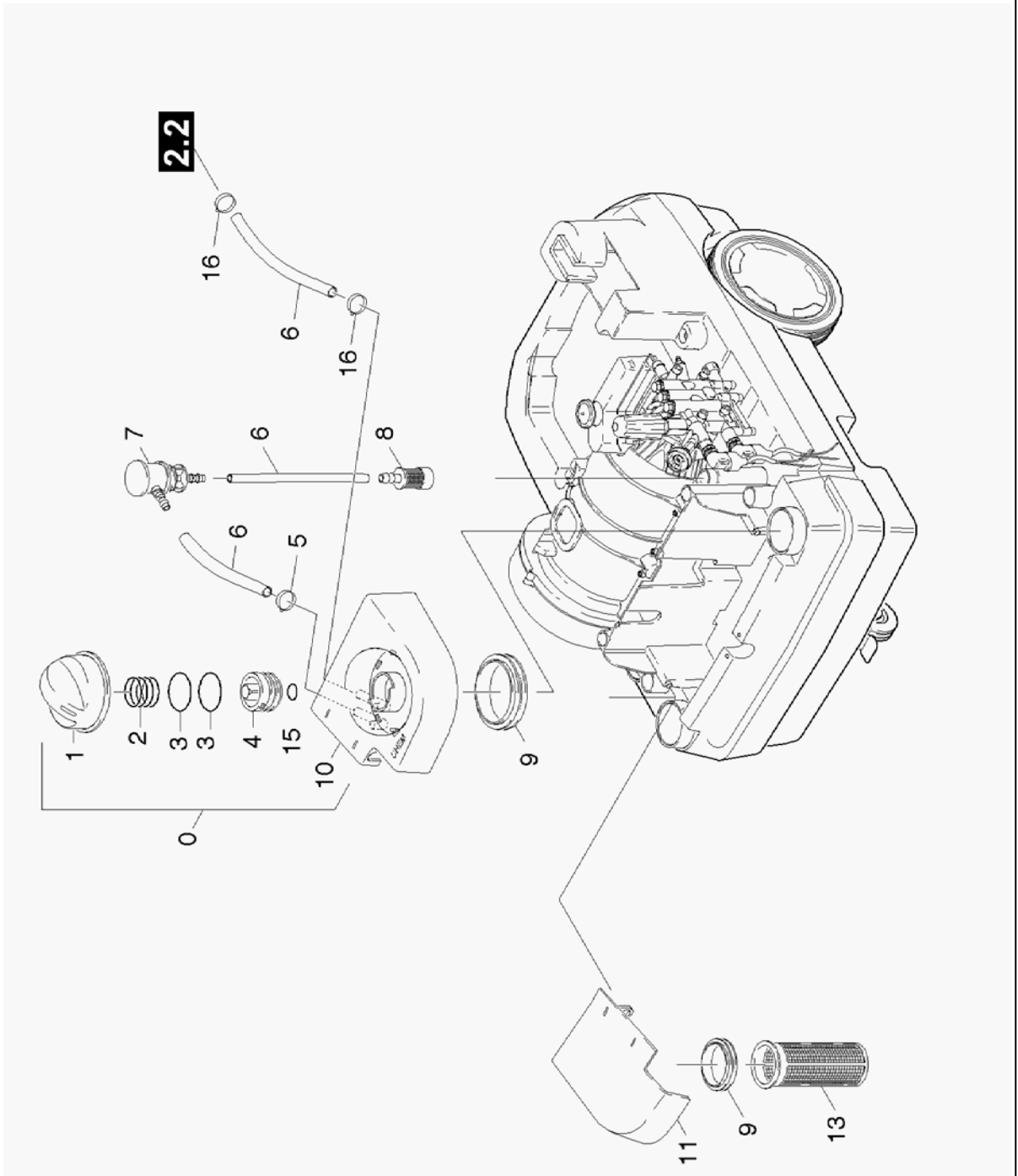
**SAFETY SYSTEM**

POS ITM. POS.	BENENNUNG DESCRIPTION DESIGNATION	TEILE-NR PART-NO NO. PIECE	STCK QTY. NBR	AB WERK-NR FROM SERIAL-NO TO SERIAL-NO	BIS WERK-NR
---------------------	---	----------------------------------	---------------------	---	-------------

0000	SAFETY SYSTEM	4.749-154.0	1,000		
0001	SPECIAL SCREW	5.305-162.0	1,000		
0002	O-RING	6.362-482.0	1,000		
0003	SPRING	5.332-057.0	1,000		
0004	PISTON	4.553-022.0	1,000		
0005	CLAMP	5.041-076.0	1,000		
0006	REED SWITCH	2.883-384.0	1,000		
0007	MANIFOLD	4.427-198.0	1,000		
0008	STRAINER	6.414-566.0	1,000		
0009	OVAL HEAD SCREW 4.2X 13	6.303-122.0	1,000		

CHEMISTRY





**CHEMISTRY**

POS ITM. POS.	BENENNUNG DESCRIPTION DESIGNATION	TEILE-NR PART-NO NO. PIECE	STCK QTY. NBR	AB WERK-NR FROM SERIAL-NO TO SERIAL-NO	BIS WERK-NR
---------------------	---	----------------------------------	---------------------	---	-------------

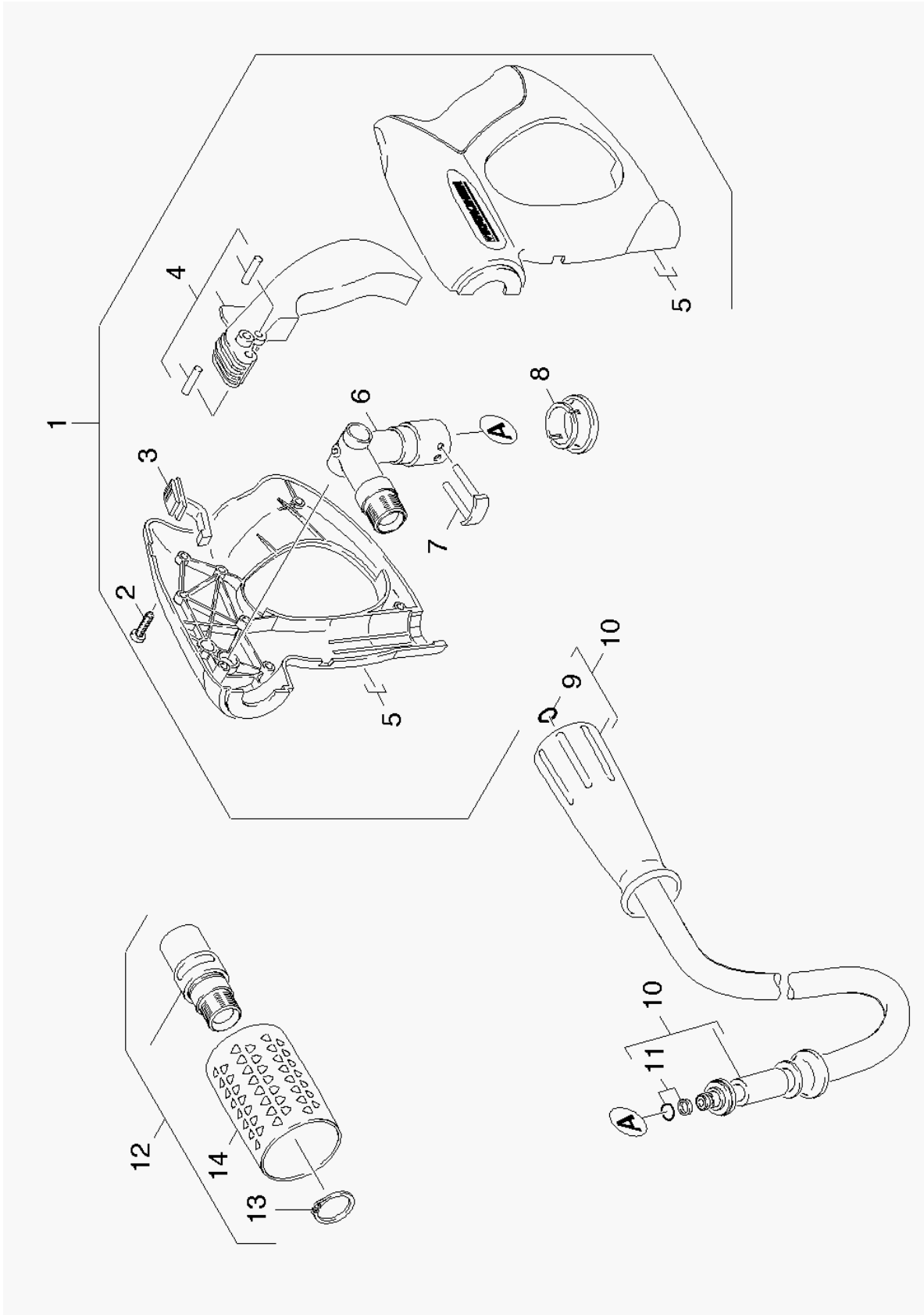
0000	VALVE	4.580-367.0	1,000		
0001	HANDLE	5.321-578.0	1,000		
0002	HELICAL SPRING	5.332-463.0	1,000		
0003	GASKET 25,0 X 2,6	6.412-727.0	2,000		
0004	VALVE SEAT	5.581-256.0	1,000		
0005	HOSE BAND CLIP	6.389-924.0	1,000		
0006	HOSE DN 6	6.391-341.0	2,000		
0007	PLUG	5.132-134.0	1,000		
0008	FILTER	5.731-609.0	1,000		
0009	JOINT RING	5.363-542.0	2,000		
0010	COVER CHEMIE	5.063-858.0	1,000		
0011	COVER	5.063-859.0	1,000		
0013	FILTER	5.731-039.0	1,000		
0015	O RING	6.362-386.0	1,000		
0016	HOSE SCHELLE	6.390-449.0	1,000		



ACCESSORIES



TRIGGER GUN (VERSION 1)

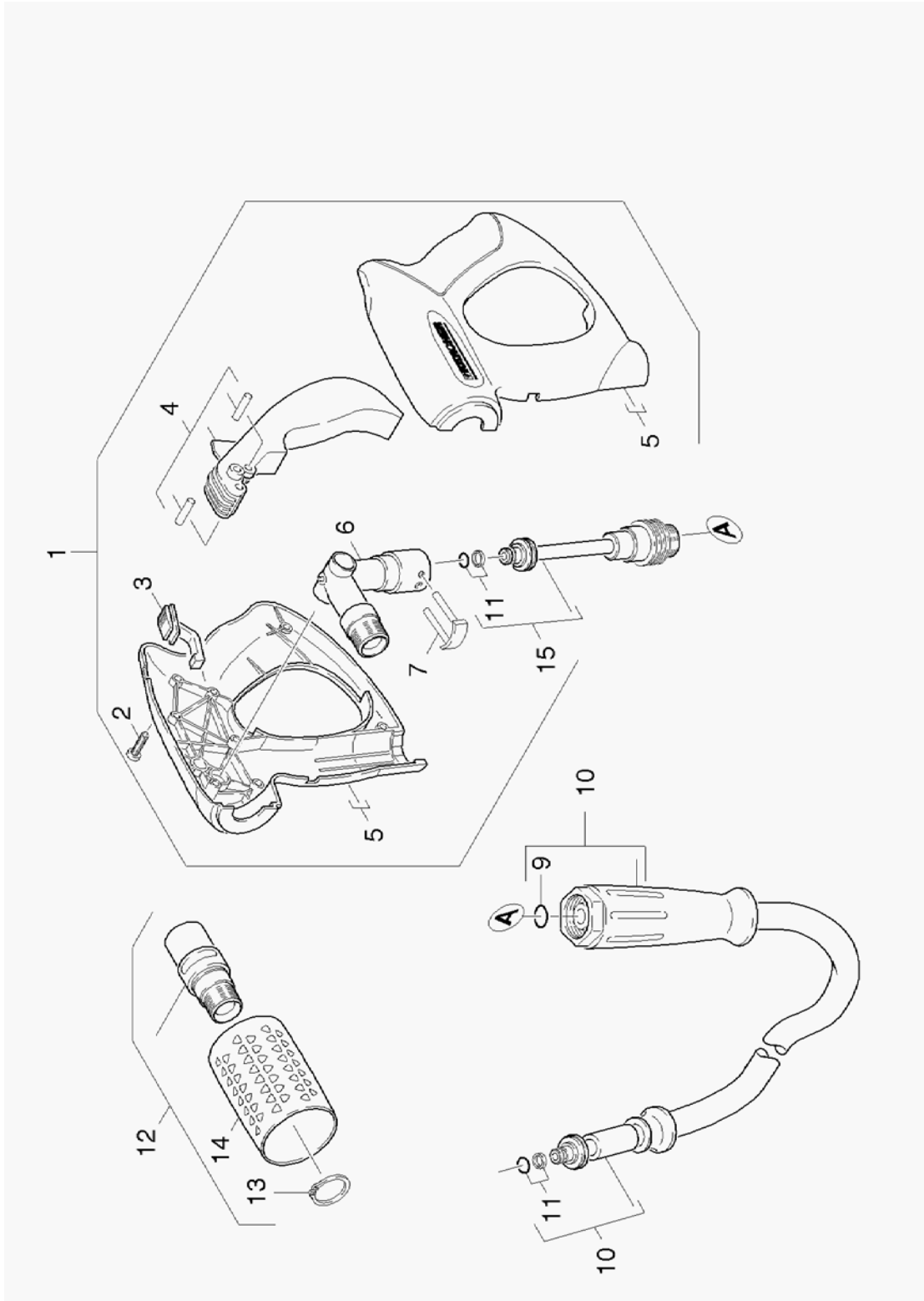


**TRIGGER GUN (VERSION 1)**

POS ITM. POS.	BENENNUNG DESCRIPTION DESIGNATION	TEILE-NR PART-NO NO. PIECE	STCK QTY. NBR	AB WERK-NR FROM SERIAL-NO TO SERIAL-NO	BIS WERK-NR
---------------------	---	----------------------------------	---------------------	---	-------------

1	TRIGGER GUN	4.775-463.0	1,000		
// 1.173-601.0					
2	Screw 4 x 22-St-10.9-A2R (IN6RD)	7.303-096.0	7,000		
3	LEVER	5.481-331.0	1,000		
4	LEVER kpl.	4.481-209.0	1,000		
5	HANDLES	5.321-669.0	1,000		
6	MANIFOLD kpl.	4.427-215.0	1,000		
7	HOOK	4.037-013.0	1,000		
8	SLEEVE	5.110-596.0	1,000		
9	KIT HDS 580-760	2.880-296.0	1,000		
10	HIGH PRESSURE HOSE	6.390-025.0	1,000		
11	GASKET	6.363-116.0	1,000		
// 1.173-601.0					
11	Rotary controller 270 I	4.775-526.0	1,000		
12	0013 SPRING CLIP	7.343-008.0	1,000		
14	HANDLE	5.321-668.0	1,000		

TRIGGER GUN (VERSION 2)

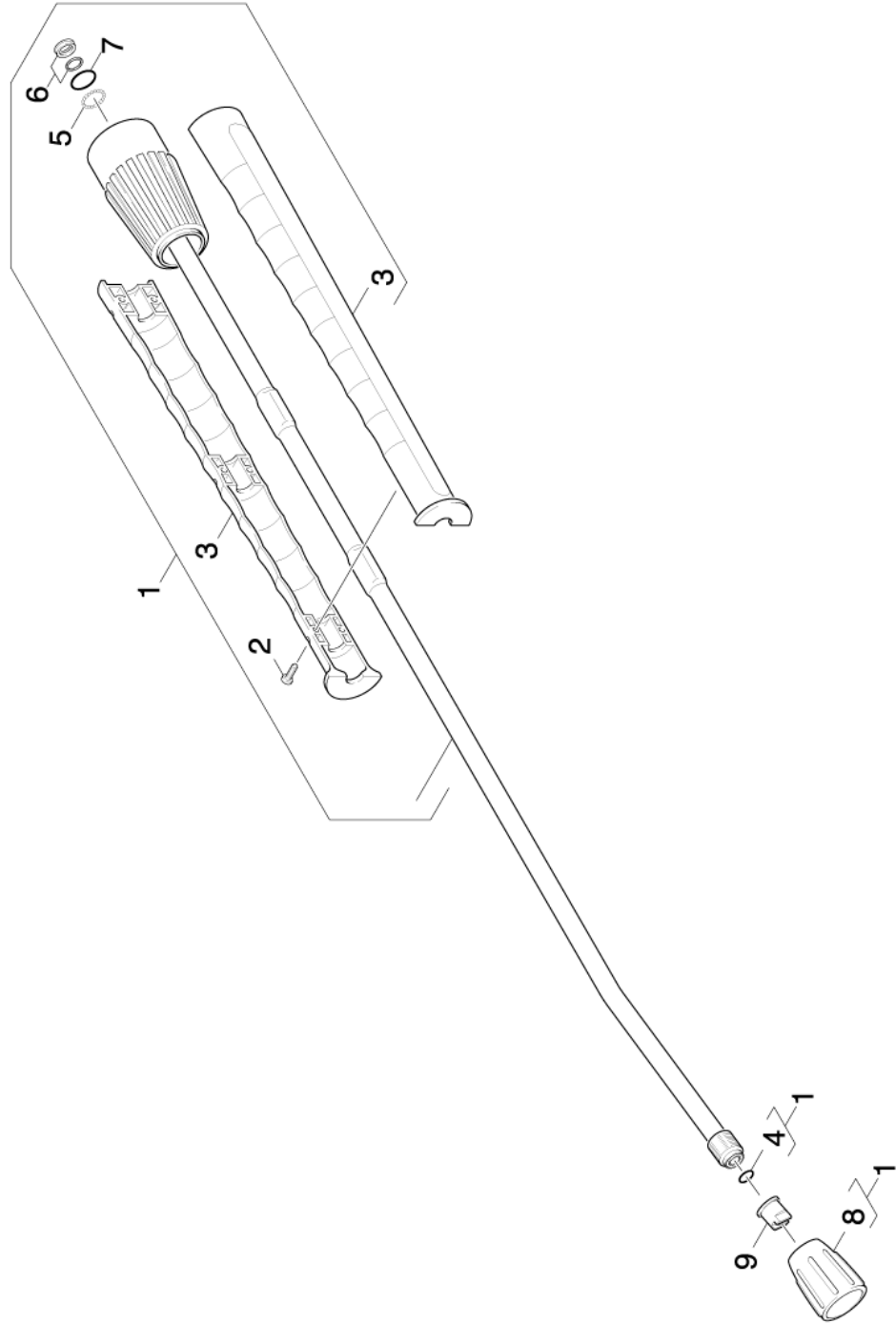


**TRIGGER GUN (VERSION 2)**

POS ITM. POS.	BENENNUNG DESCRIPTION DESIGNATION	TEILE-NR PART-NO NO. PIECE	STCK QTY. NBR	AB WERK-NR FROM SERIAL-NO TO SERIAL-NO	BIS WERK-NR
---------------------	---	----------------------------------	---------------------	---	-------------

1	TRIGGER GUN	4.775-466.0	1,000		
	<b>// 1.173-621.0 / -622.0</b>				
0002	Screw 4 x 22-St-10.9-A2R (IN6RD)	7.303-096.0	7,000		
0003	LEVER	5.481-331.0	1,000		
0004	LEVER kpl.	4.481-209.0	1,000		
0005	HANDLES	5.321-669.0	1,000		
0006	MANIFOLD kpl.	4.427-215.0	1,000		
0007	HOOK	4.037-013.0	1,000		
0009	KIT HDS 580-760	2.880-296.0	1,000		
0010	HIGH PRESSURE HOSE	6.390-185.0	1,000		
0011	RING HDS 755 760	6.362-365.0	2,000		
0012	Rotary controller 270 I	4.775-526.0	1,000		
0013	SPRING CLIP	7.343-008.0	1,000		
0014	HANDLE	5.321-668.0	1,000		
0015	ADAPTER Rohrleitung	4.421-739.0	1,000		

JET PIPE

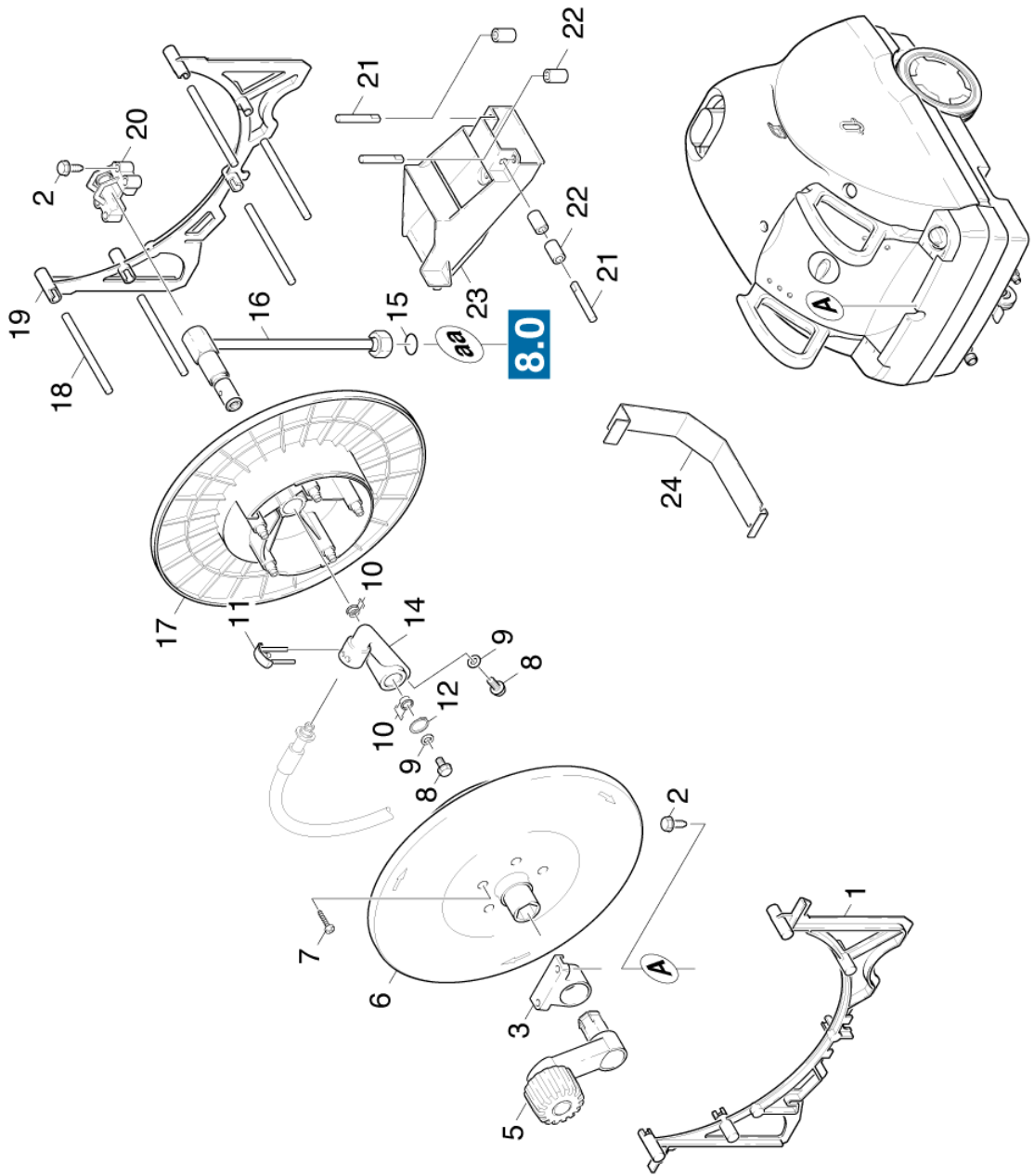


**JET PIPE**

POS ITM. POS.	BENENNUNG DESCRIPTION DESIGNATION	TEILE-NR PART-NO NO. PIECE	STCK QTY. NBR	AB WERK-NR FROM SERIAL-NO TO SERIAL-NO	BIS WERK-NR
---------------------	---	----------------------------------	---------------------	---	-------------

0001	JET PIPE kpl.	4.760-550.0	1,000		
0002	SCREW	7.303-129.0	6,000		
0003	HANDLES Strahlrohr	5.321-691.0	1,000		
0004	KIT HDS 580-760	2.880-296.0	1,000		
0005	BALL	7.401-915.0	20,000		
0006	O RING	6.362-532.0	1,000		
0007	O RING	6.362-524.0	1,000		
0008	SCREW UNION	5.401-210.0	1,000		
0009	Power nozzle 25040	2.883-397.0	1,000		

NOZZLE





**NOZZLE**

POS ITM. POS.	BENENNUNG DESCRIPTION DESIGNATION	TEILE-NR PART-NO NO. PIECE	STCK QTY. NBR	AB WERK-NR FROM SERIAL-NO TO SERIAL-NO	BIS WERK-NR
---------------------	---	----------------------------------	---------------------	---	-------------

0001	BRACKET HINTEN	5.044-337.0	1,000		
0003	BEARING BLOCK RECHTS	5.251-039.0	1,000		
0005	LEVER	4.481-157.0	1,000		
0006	HOSE REEL	5.776-007.0	1,000		
0007	VITE TF/FL COMBI-TX 5X35 S/P ZN/N	7.303-110.0	5,000		
0008	SCREW M 8X 12	7.306-223.0	2,000		
0009	ROUND CORD RING	6.362-101.0	2,000		
0010	GASKET 14X1,78 1XSR	6.363-073.0	2,000		
0011	HOOK	4.037-013.0	1,000		
0012	SPRING CLIP	7.343-018.0	1,000		
0014	MANIFOLD	5.427-265.0	1,000		
0015	O RING	6.362-151.0	1,000		
0016	PIPELINES	4.421-597.0	1,000		
0017	HOSE REEL	5.776-006.0	1,000		
0018	ROD	5.027-215.0	5,000		
0019	BRACKET VORNE	5.044-336.0	1,000		
0020	BEARING BLOCK LINKS	5.251-038.0	1,000		
0021	AXLE	5.105-316.0	3,000		
0022	DEFLECTION PULLEY	5.515-151.0	4,000		
0023	HOSE GUIDE	5.044-328.0	1,000		
0024	GUARD PLATE	5.391-036.0	1,000		