



Ersatzteilliste
Spare Parts List
Liste des pieces de rechange

1.272-631.0 HDS 550 C Eco

Ersatzteile unter www.gluesing.net

03/04

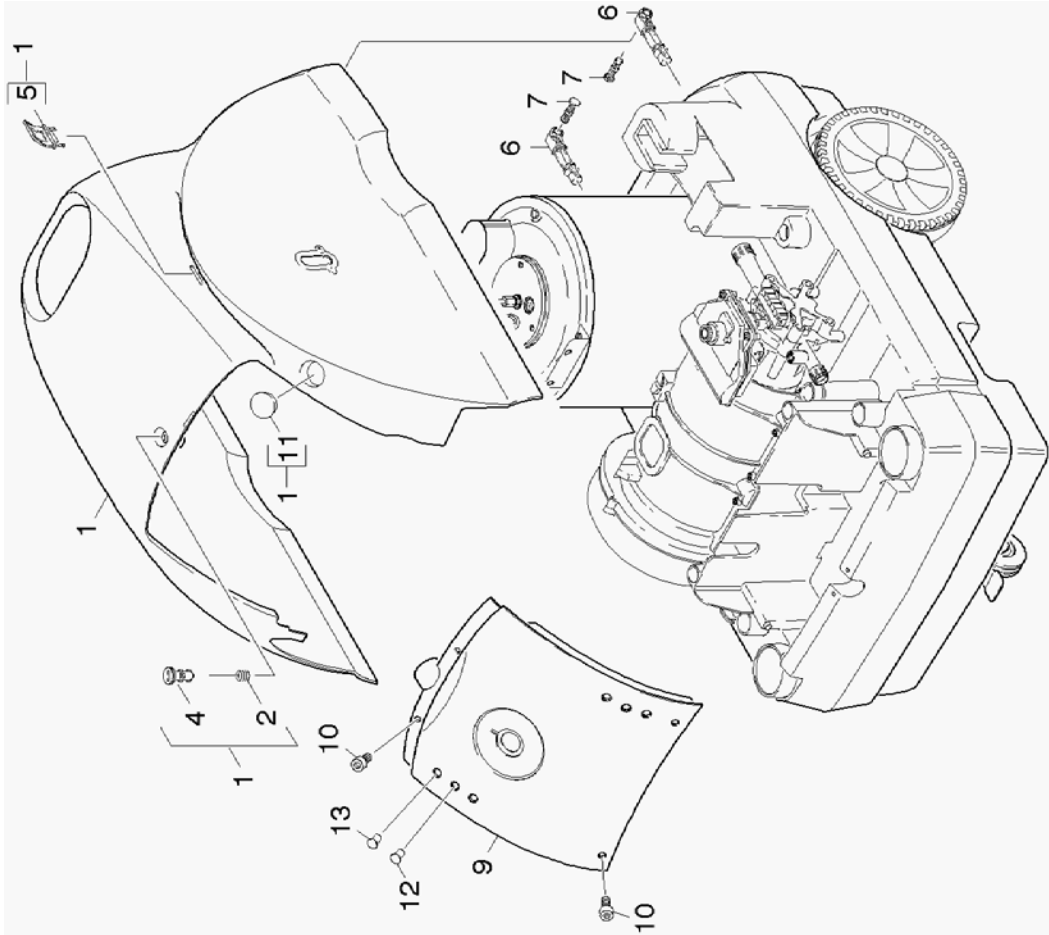
www.kaercher.com

F 2009596
5.970-423.0

PIECE PARTS



COVER

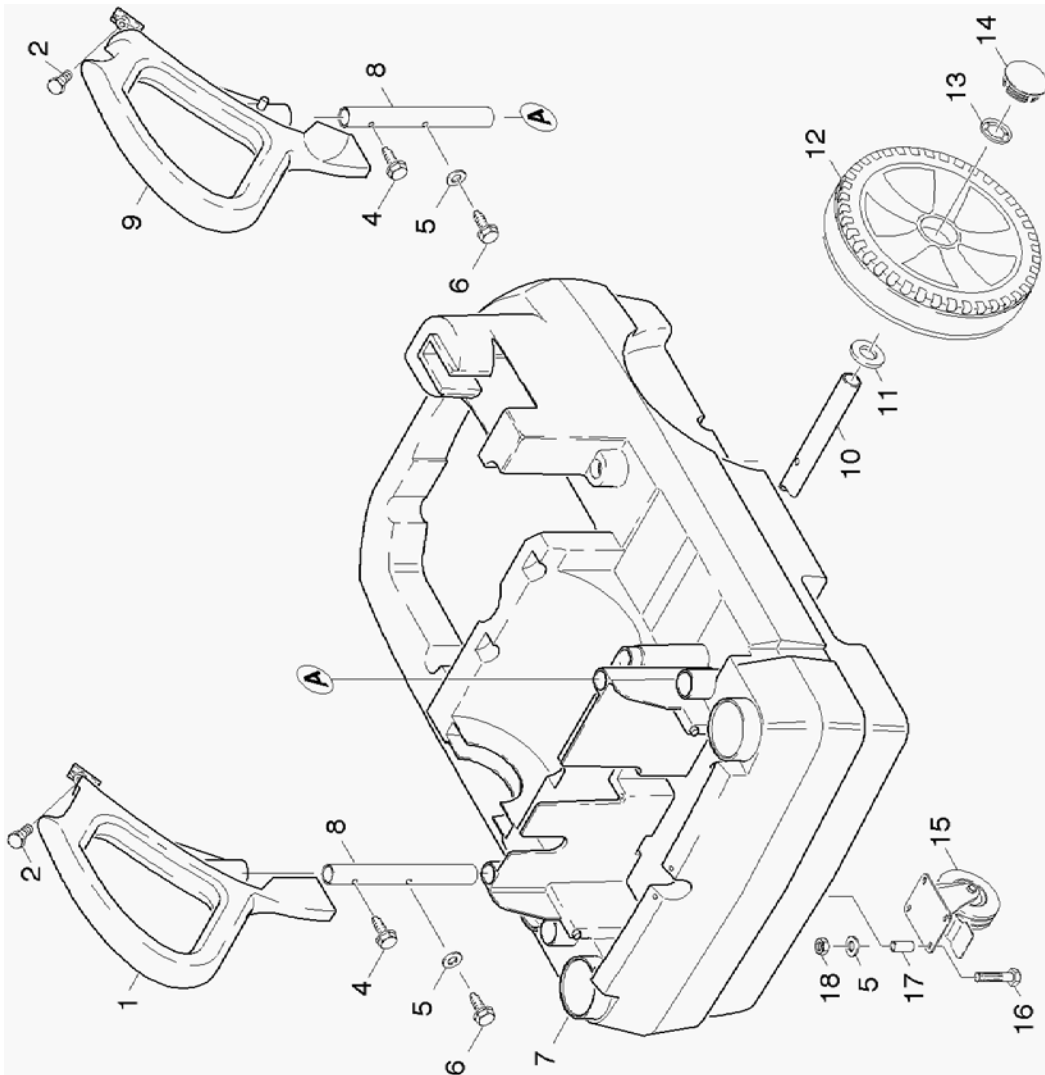


COVER

POS ITM. POS.	BENENNUNG DESCRIPTION DESIGNATION	TEILE-NR PART-NO NO. PIECE	STCK QTY. NBR	AB WERK-NR FROM SERIAL-NO TO SERIAL-NO	BIS WERK-NR
1	Device cover complete	4.067-048.0	1,000		
2	COIL SPRING	5.332-236.0	1,000		
4	BOLT	5.316-318.0	1,000		
5	BRACKET	5.044-216.0	1,000		
6	BRACKET	5.044-196.0	2,000		
7	BOLT	5.316-893.0	2,000		
9	Control panel	5.841-475.0	1,000		
10	SCREW 5X30	7.303-086.0	4,000		
11	DRAIN PLUG	6.368-324.0	1,000		
12	HOUSING	6.651-316.0	1,000		
13	HOUSING	6.651-421.0	1,000		

Ersatzteile unter www.gluesing.net

FRAME



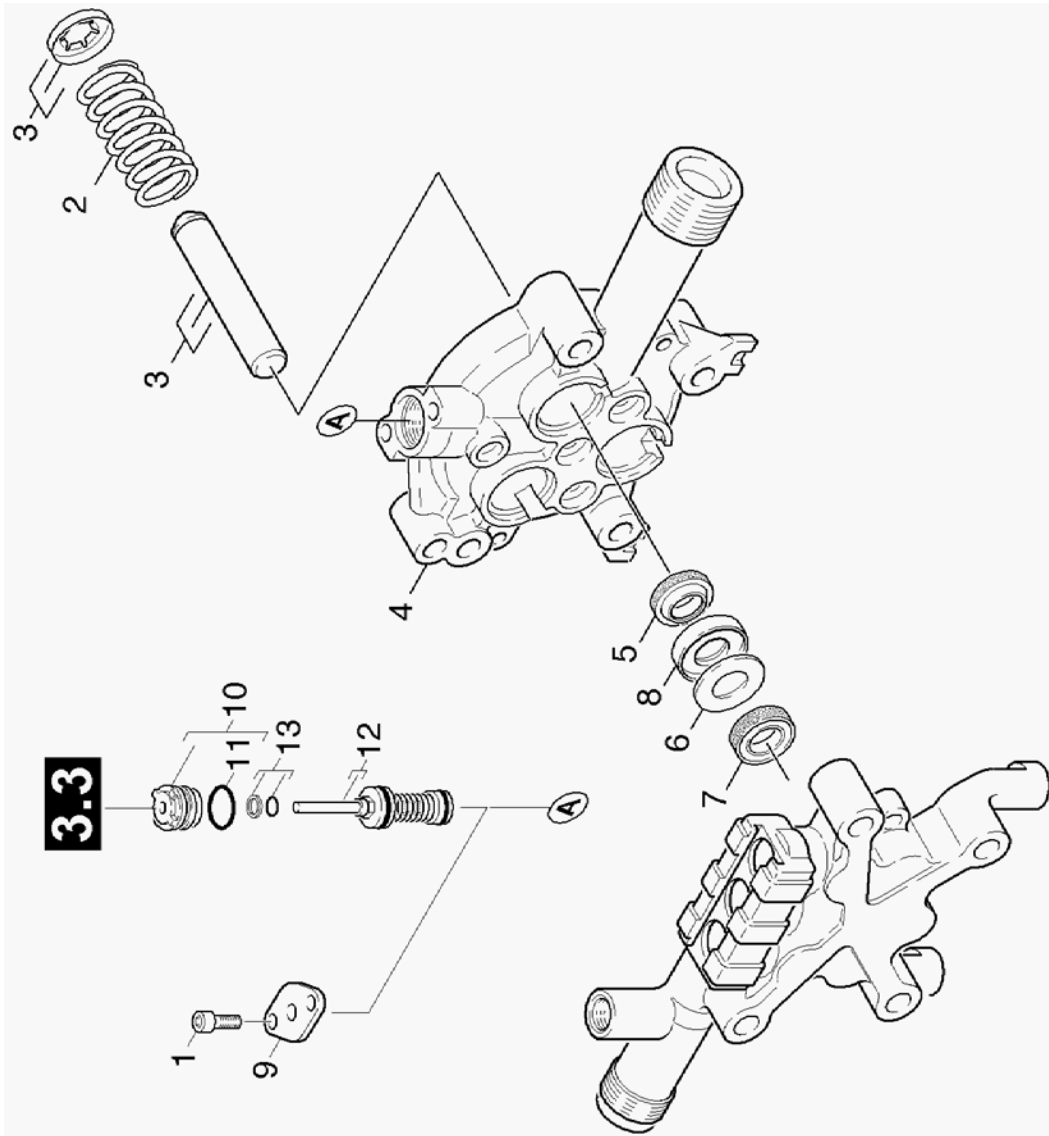
FRAME

POS ITM. POS.	BENENNUNG DESCRIPTION DESIGNATION	TEILE-NR PART-NO NO. PIECE	STCK QTY. NBR	AB WERK-NR FROM SERIAL-NO TO SERIAL-NO	BIS WERK-NR
0001	HANDLE LINKS	5.321-580.0	1,000		
0002	SCREW	7.303-114.0	2,000		
0004	SCREW	6.303-305.0	2,000		
0005	DISC	7.312-277.0	6,000		
0006	SCREW	6.303-191.0	2,000		
0007	CHASSIS	4.050-436.0	1,000		
0008	HANDLE	5.321-582.0	2,000		
0009	HANDLE	5.321-576.0	1,000		
0010	AXLE	5.105-298.0	1,000		
0011	SLEEVE	5.110-561.0	2,000		
0012	Wheel complete	4.515-254.0	2,000		
0013	CLAMP DISC	6.343-217.0	2,000		
0014	WHEEL CAB	5.392-035.0	2,000		
0015	CASTOR	6.435-116.0	1,000		
0016	SCREW	7.304-407.0	4,000		
0017	SLEEVE	5.110-778.0	4,000		
0018	NUT M8	7.311-004.0	4,000		

PUMP-SET



PISTON

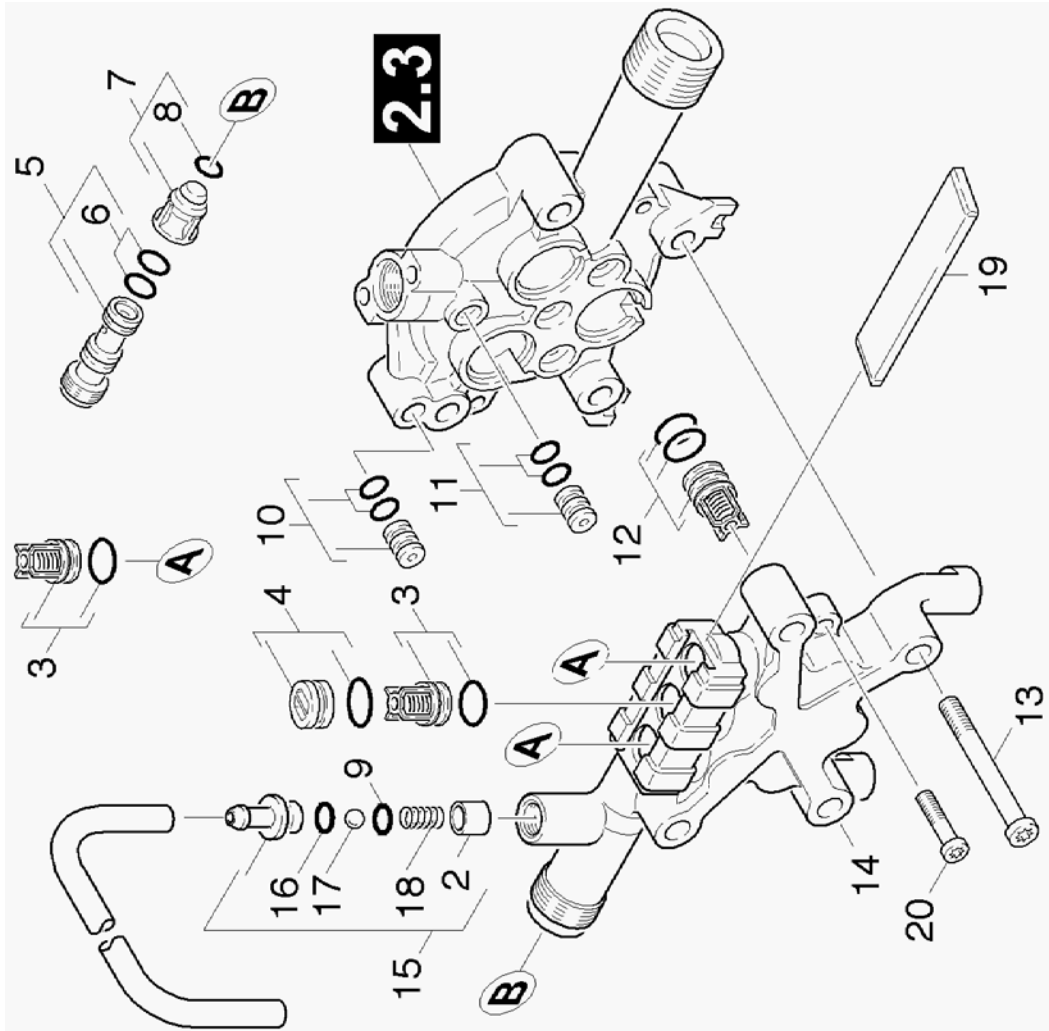


PISTON

POS ITM. POS.	BENENNUNG DESCRIPTION DESIGNATION	TEILE-NR PART-NO NO. PIECE	STCK QTY. NBR	AB WERK-NR FROM SERIAL-NO TO SERIAL-NO	BIS WERK-NR
0001	SCREW	7.306-090.0	2,000		
0002	PRESSURE SPRING	5.332-437.0	3,000		
0003	PISTON	4.553-208.0	3,000		
0004	PISTON GUIDANCE	5.060-680.0	1,000		
0005	GROOVED RING	6.365-414.0	3,000		
0006	WASHER	5.115-721.0	3,000		
0007	GROOVED RING 12X20X5.3/2.8	6.365-394.0	3,000		
0008	WASHER	5.115-720.0	3,000		
0009	COVER	5.063-755.0	1,000		
0010	MOULDED PART	4.030-069.0	1,000		
0011	O RING 12.0 X 2.0	6.362-169.0	1,000		
0012	SPILL VALVE	4.580-325.0	1,000		
0013	GASKET	6.362-852.0	1,000		
0100	PUMP KIT HD525S	2.883-827.0	1,000		

Ersatzteile unter www.gjuesing.net

CYLINDER HEAD

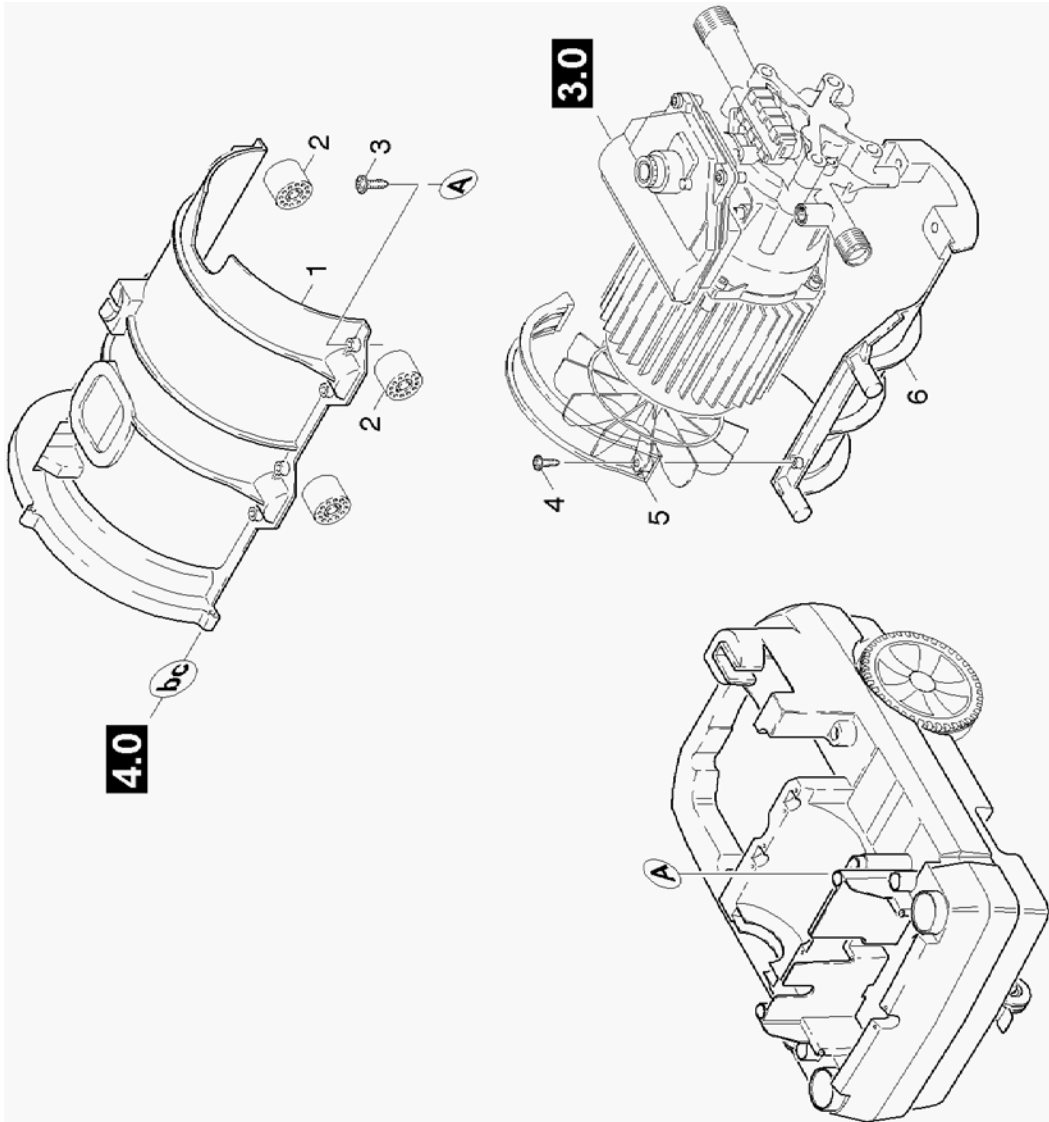


CYLINDER HEAD

POS ITM. POS.	BENENNUNG DESCRIPTION DESIGNATION	TEILE-NR PART-NO NO. PIECE	STCK QTY. NBR	AB WERK-NR FROM SERIAL-NO TO SERIAL-NO	BIS WERK-NR
0002	SLEEVE	5.110-714.0	1,000		
0003	VALVE	4.580-311.0	3,000		
0004	DRAIN PLUG	4.132-007.0	3,000		
0005	NOZZLE INSERT	4.769-032.0	1,000		
0006	O-RING 9,0 X 1,5	6.362-384.0	2,000		
0007	VALVE PIN	4.584-022.0	1,000		
0008	GASKET	6.362-851.0	1,000		
0009	O RING 5.28X 1.78	6.362-175.0	1,000		
0010	THROTTLE	4.030-070.0	1,000		
0011	JOINING PIECE	4.030-045.0	1,000		
0012	VALVE	4.580-308.0	3,000		
0013	CHEESE HAED SCREW	7.306-106.0	4,000		
0014	CYLINDER HEAD	5.550-248.0	1,000		
0015	SPARE PARTS KIT	2.883-862.0	1,000		
0016	O RING 8.0 X 1.0	6.362-451.0	1,000		
0017	BALL 7,0 G40	7.401-909.0	1,000		
0018	COIL SPRING	5.332-258.0	1,000		
0019	PLATE	5.003-062.0	1,000		
0020	SCREW	7.303-042.0	2,000		

MOTOR

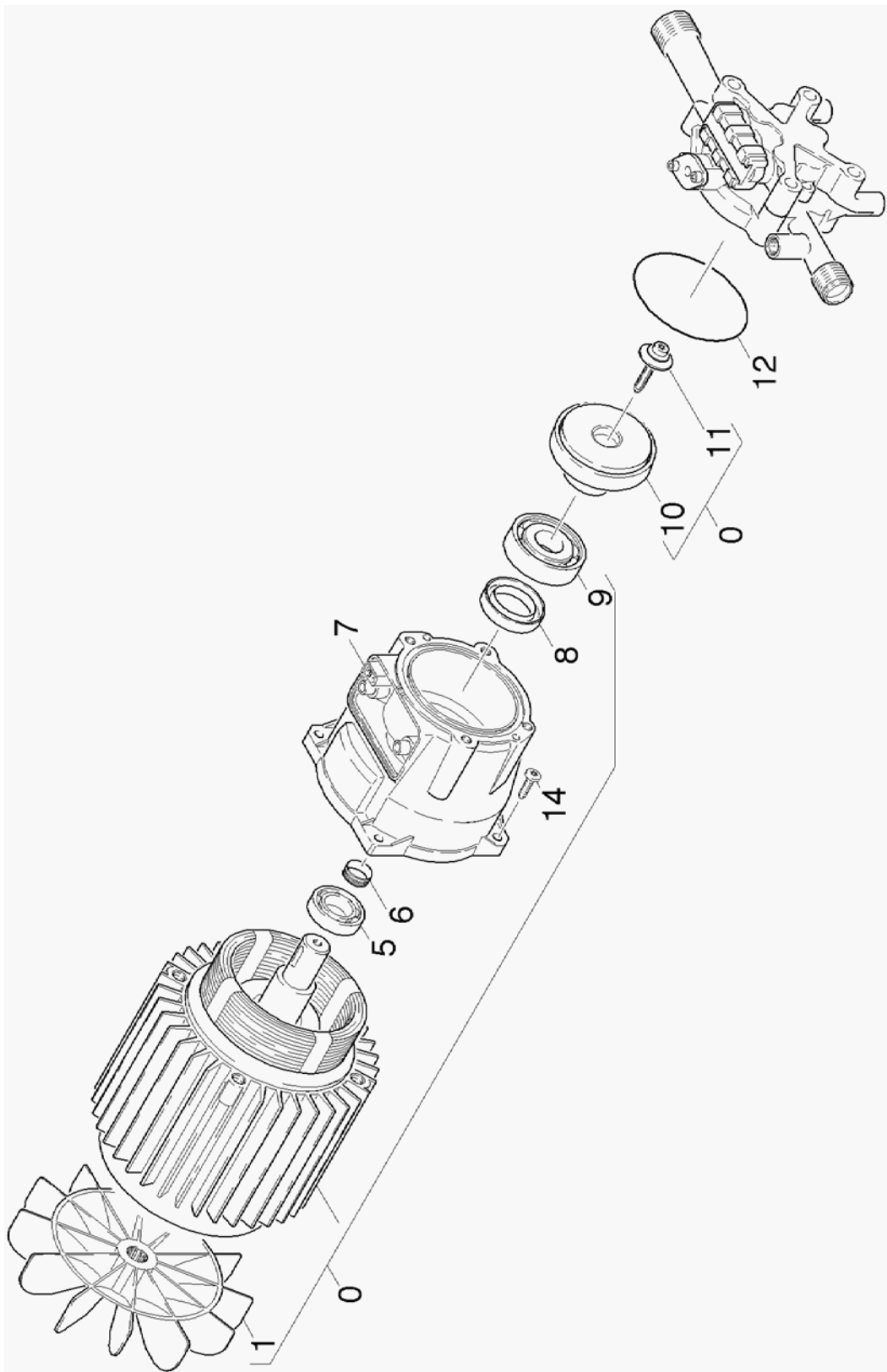




SUPPORT

POS ITM. POS.	BENENNUNG DESCRIPTION DESIGNATION	TEILE-NR PART-NO NO. PIECE	STCK QTY. NBR	AB WERK-NR FROM SERIAL-NO TO SERIAL-NO	BIS WERK-NR
0001	AIR CIRCULATION	5.060-728.0	1,000		
0002	RUBBER BUFFER	5.767-005.0	4,000		
0003	SCREW	7.303-109.0	8,000		
0004	SCREW	6.303-125.0	2,000		
0005	CLAMP ELEMENT	5.263-068.0	1,000		
0006	MOTOR SUPPORT	5.044-307.0	1,000		

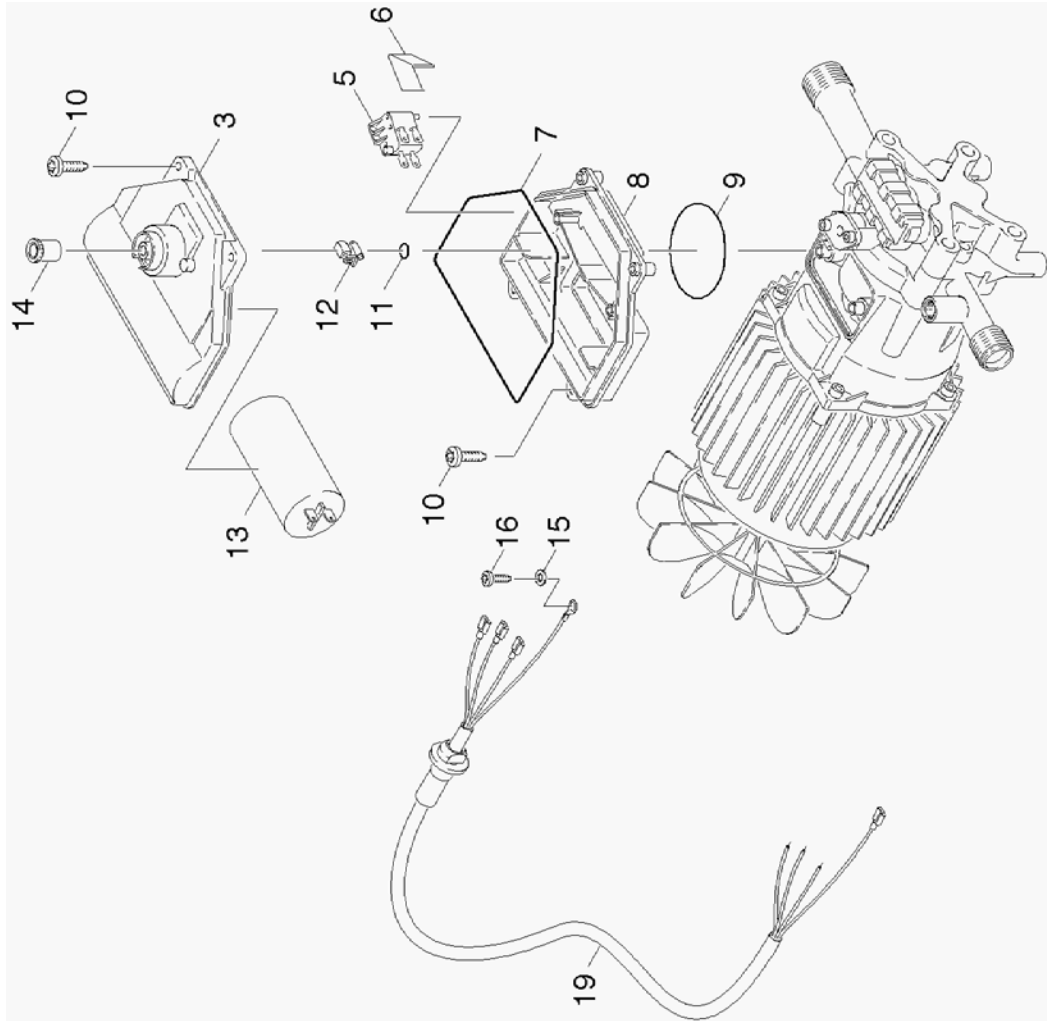
MOTOR



MOTOR

POS ITM. POS.	BENENNUNG DESCRIPTION DESIGNATION	TEILE-NR PART-NO NO. PIECE	STCK QTY. NBR	AB WERK-NR FROM SERIAL-NO TO SERIAL-NO	BIS WERK-NR
0000	MOTOR KPL.	4.623-502.0	1,000		
0001	BLOWER WHEEL	5.600-059.0	1,000		
0005	BALL BEARING	6.401-331.0	1,000		
0006	TOLERANCE RING	6.343-228.0	1,000		
0007	END PLATE A-Seite	5.093-271.0	1,000		
0008	SEAL RING	7.367-018.0	1,000		
0009	BALL BEARING	6.401-332.0	1,000		
0010	SWASH PLATE	6.401-289.0	1,000		
0011	CYLINDER HEAD SCREW	6.304-048.0	1,000		
0012	O RING 80 X 3	6.362-471.0	1,000		
0014	SCREW M 5X 20	7.303-041.0	4,000		

ELECTRIC PART TEST



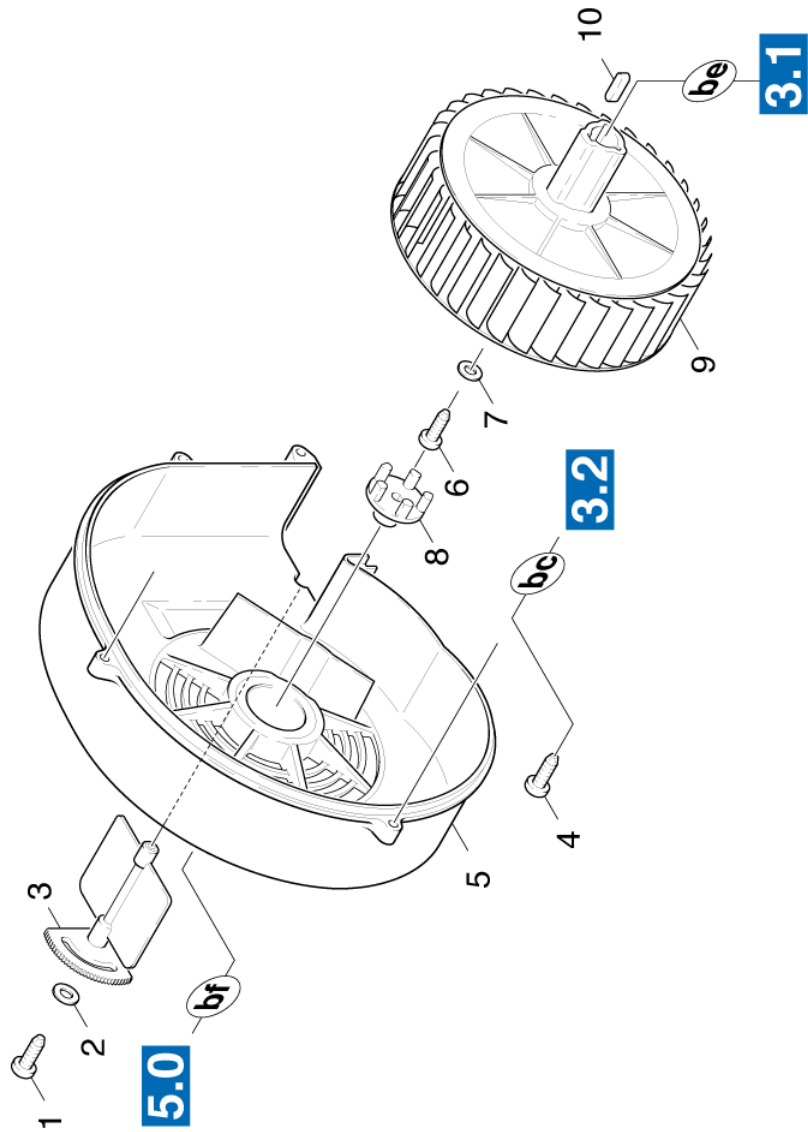
ELECTRIC PART TEST

POS ITM. POS.	BENENNUNG DESCRIPTION DESIGNATION	TEILE-NR PART-NO NO. PIECE	STCK QTY. NBR	AB WERK-NR FROM SERIAL-NO TO SERIAL-NO	BIS WERK-NR
0003	COVER E-KASTEN	5.063-678.0	1,000		
0005	MICRO SWITCH	6.631-946.0	1,000		
0006	PLATE SPRING	5.337-027.0	1,000		
0007	FOAM RUBBER RING	6.273-070.0	1,000		
0008	ELECTRICAL BOX	5.811-112.0	1,000		
0009	GASKET	6.362-887.0	1,000		
0010	SCREW	6.303-125.0	4,000		
0011	RING	6.506-019.0	1,000		
0012	ROCKER	4.047-003.0	1,000		
0013	CAPACITOR HD 570	6.661-129.0	1,000		
0014	PROTECTING CAP	6.368-138.0	1,000		
0015	WASHER	5.115-610.0	1,000		
0016	SCREW	7.303-031.0	1,000		
0019	CABLE MOTOR	6.648-188.0	1,000		

BLOWER



BLOWER



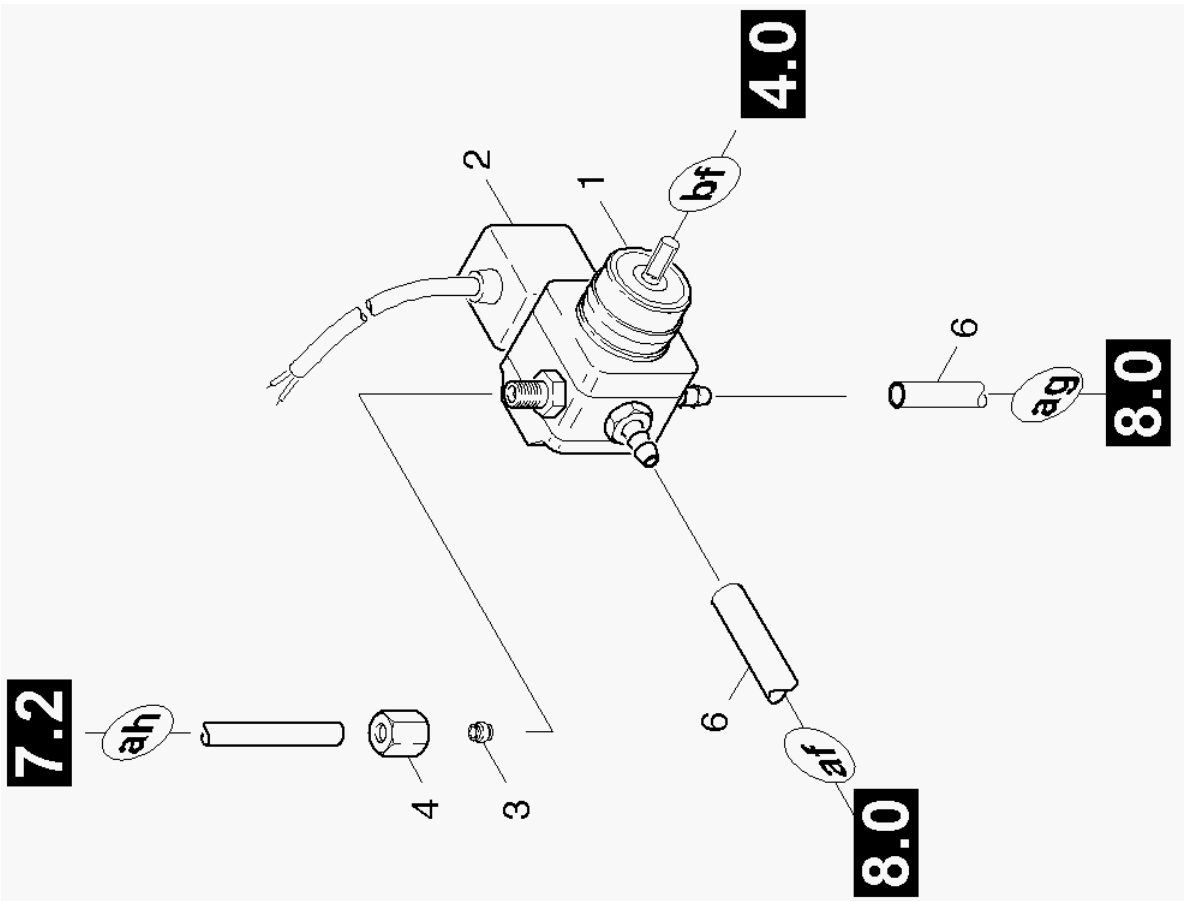
BLOWER

POS ITM. POS.	BENENNUNG DESCRIPTION DESIGNATION	TEILE-NR PART-NO NO. PIECE	STCK QTY. NBR	AB WERK-NR FROM SERIAL-NO TO SERIAL-NO	BIS WERK-NR
0001	SHEET METAL SCREW	7.303-077.0	1,000		
0002	DISK	7.312-278.0	1,000		
0003	AIR FLAP	5.606-007.0	1,000		
0004	SCREW	7.303-084.0	4,000		
0005	COVER	5.063-826.0	1,000		
0006	SCREW	6.304-145.0	1,000		
0007	DISC	7.312-276.0	1,000		
0008	COUPLER	5.471-097.0	1,000		
0009	BLOWER WHEEL	5.600-062.0	1,000		
0010	SPRING	7.318-005.0	1,000		

FUEL PUMP



FUEL PIPE

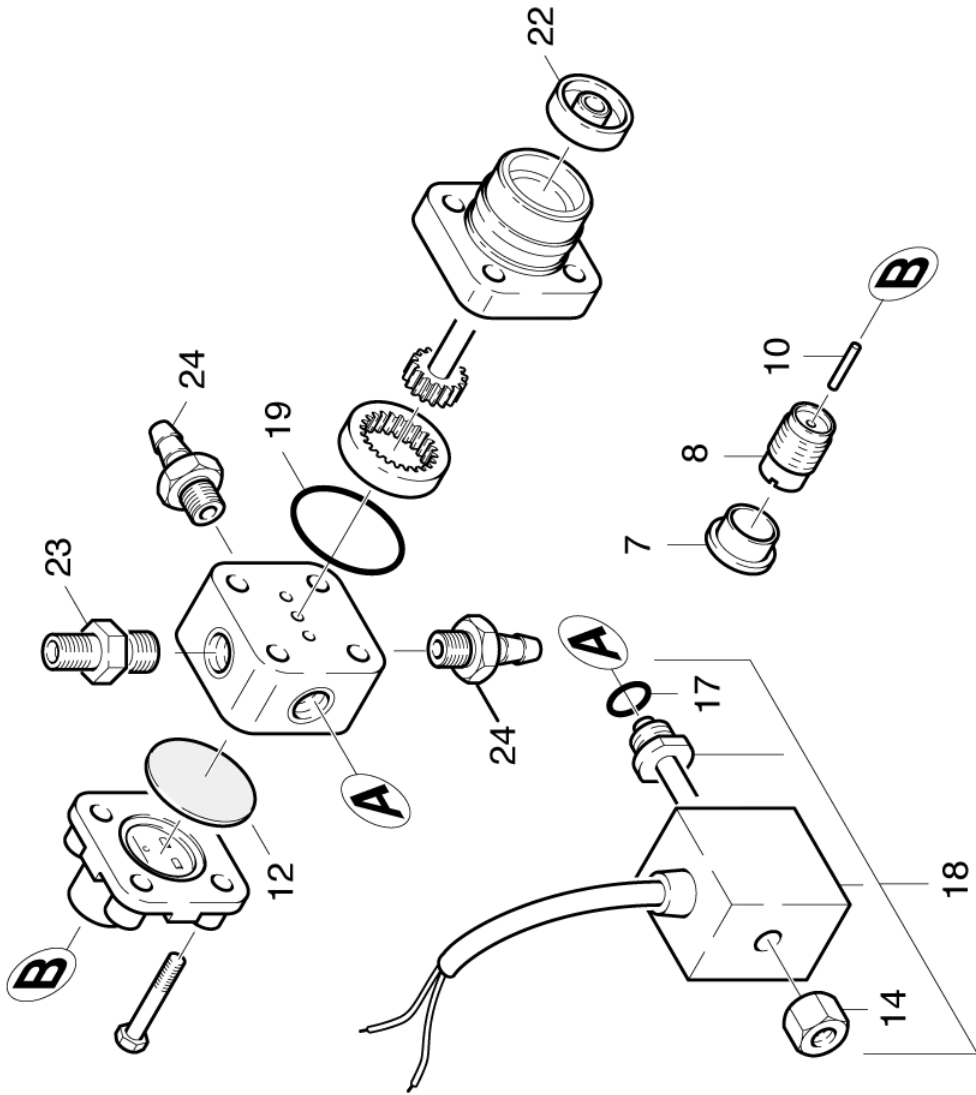


FUEL PIPE

POS ITM. POS.	BENENNUNG DESCRIPTION DESIGNATION	TEILE-NR PART-NO NO. PIECE	STCK QTY. NBR	AB WERK-NR FROM SERIAL-NO TO SERIAL-NO	BIS WERK-NR
---------------------	---	----------------------------------	---------------------	---	-------------

0001	FUEL PUMP	6.472-992.0	1,000		
0002	SOLENOID VALVE	6.472-412.0	1,000		
0003	CUTTING RING	6.389-263.0	1,000		
0004	NUT	6.389-262.0	1,000		
0006	HOSE	6.389-534.0	1,000		

FUEL PUMP



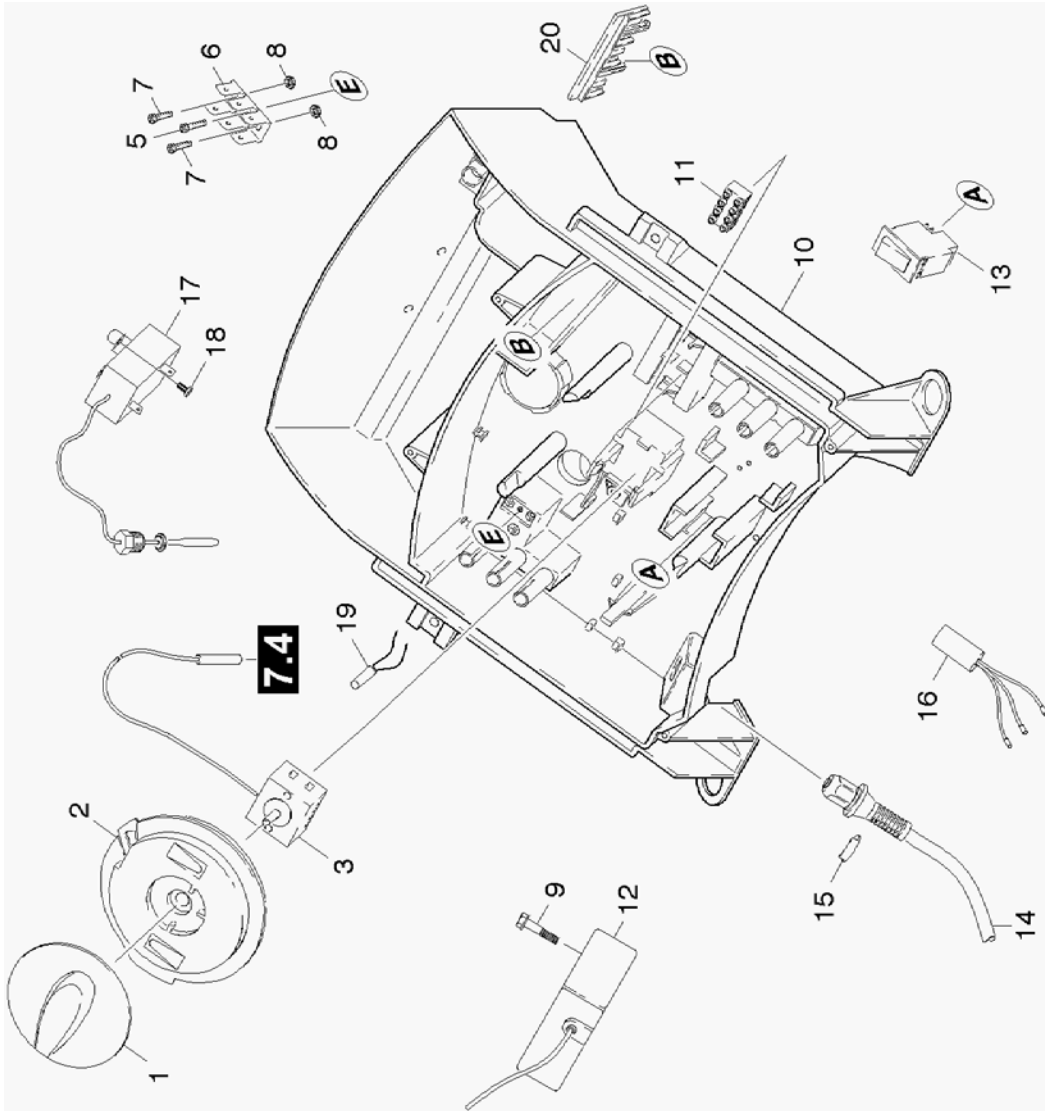
FUEL PUMP

POS ITM. POS.	BENENNUNG DESCRIPTION DESIGNATION	TEILE-NR PART-NO NO. PIECE	STCK QTY. NBR	AB WERK-NR FROM SERIAL-NO TO SERIAL-NO	BIS WERK-NR
0007	CAPS	6.472-122.0	1,000		
0008	SPRING HOUSING	6.472-109.0	1,000		
0010	PIN	6.472-108.0	1,000		
0012	DIAPHRAGM	6.472-128.0	1,000		
0014	KNURLED NUT	6.472-340.0	1,000		
0017	O-RING	6.472-125.0	1,000		
0018	SOLENOID VALVE	6.472-412.0	1,000		
0019	O RING	6.472-120.0	1,000		
0022	AXLE GASKET	6.472-105.0	1,000		
0023	SCREW UNION	6.389-261.0	1,000		
0024	HOSE STEM	6.472-927.0	2,000		

ELECTRIC CONTROL BOX



ELECTRIC CONTROL BOX



ELECTRIC CONTROL BOX

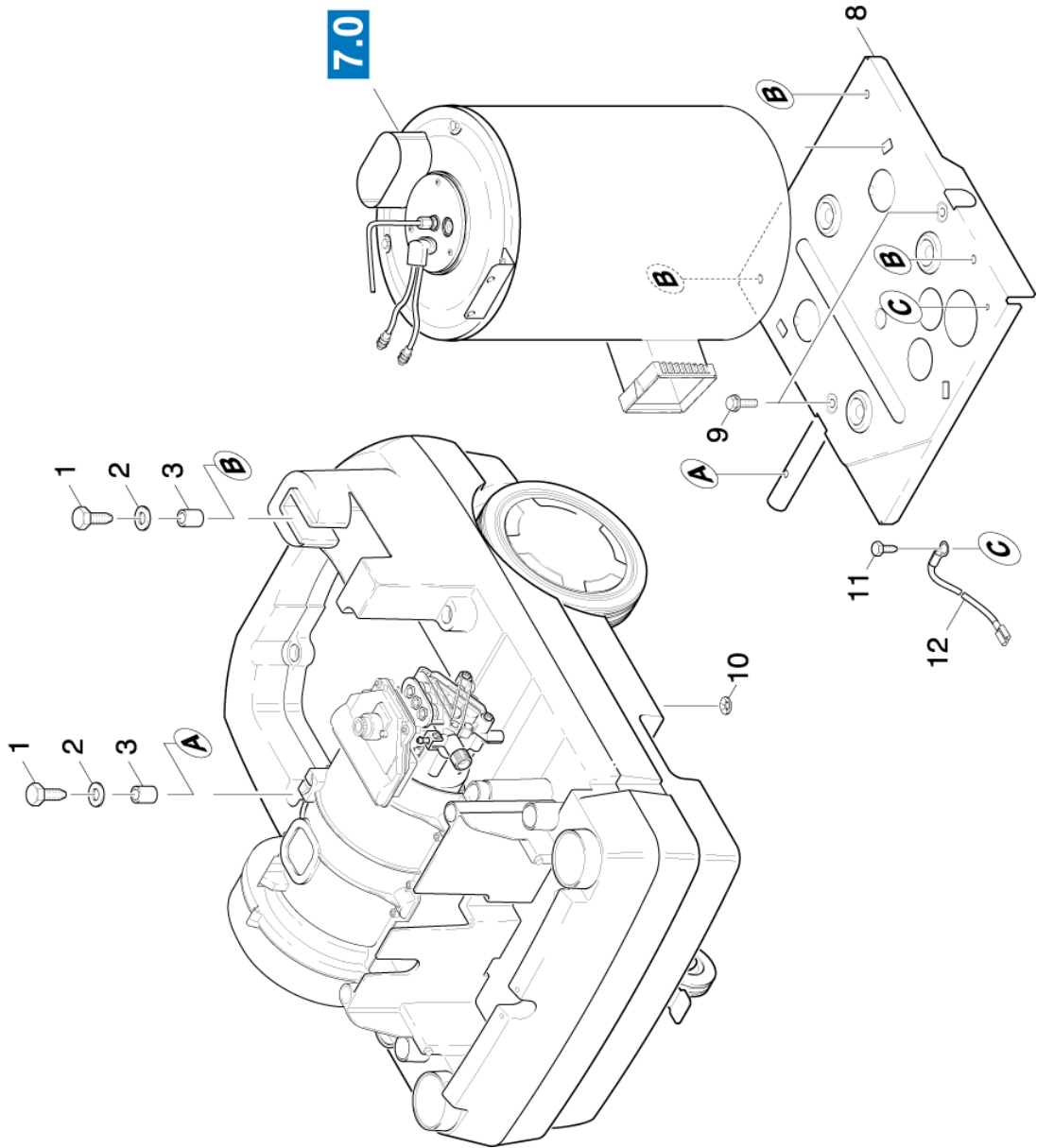
POS ITM. POS.	BENENNUNG DESCRIPTION DESIGNATION	TEILE-NR PART-NO NO. PIECE	STCK QTY. NBR	AB WERK-NR FROM SERIAL-NO TO SERIAL-NO	BIS WERK-NR
0001	HANDLE	5.321-577.0	1,000		
0002	WASHER	5.115-842.0	1,000		
0003	THERMOSTAT	2.882-574.0	1,000		
0005	SCREW	7.303-026.0	1,000		
0006	PLUG	6.641-270.0	1,000		
0007	CHEESE HEAD SCREW	6.304-031.0	2,000		
0008	HEX NUT	7.311-001.0	2,000		
0009	SCREW	7.303-111.0	1,000		
0010	Mounting plate	5.801-138.0	1,000		
0011	STRIP TERMINAL	6.643-249.0	1,000		
0012	TRANSFORMER	6.622-232.0	1,000		
0013	ROCKER SWITCH	6.631-712.0	1,000		
0014	CABLE	6.647-251.0	1,000		
0015	CLIP	6.343-170.0	1,000		
0016	SUPRESSOR	6.661-092.0	1,000		
0017	Temperature limiter	6.686-378.0	1,000		
0018	SCREW	7.306-056.0	2,000		
0019	Pilot lamp	6.651-603.0	2,000		
0020	CLAMP	5.030-954.0	1,000		

Ersatzteile unter www.gluesing.net

HEATING COIL



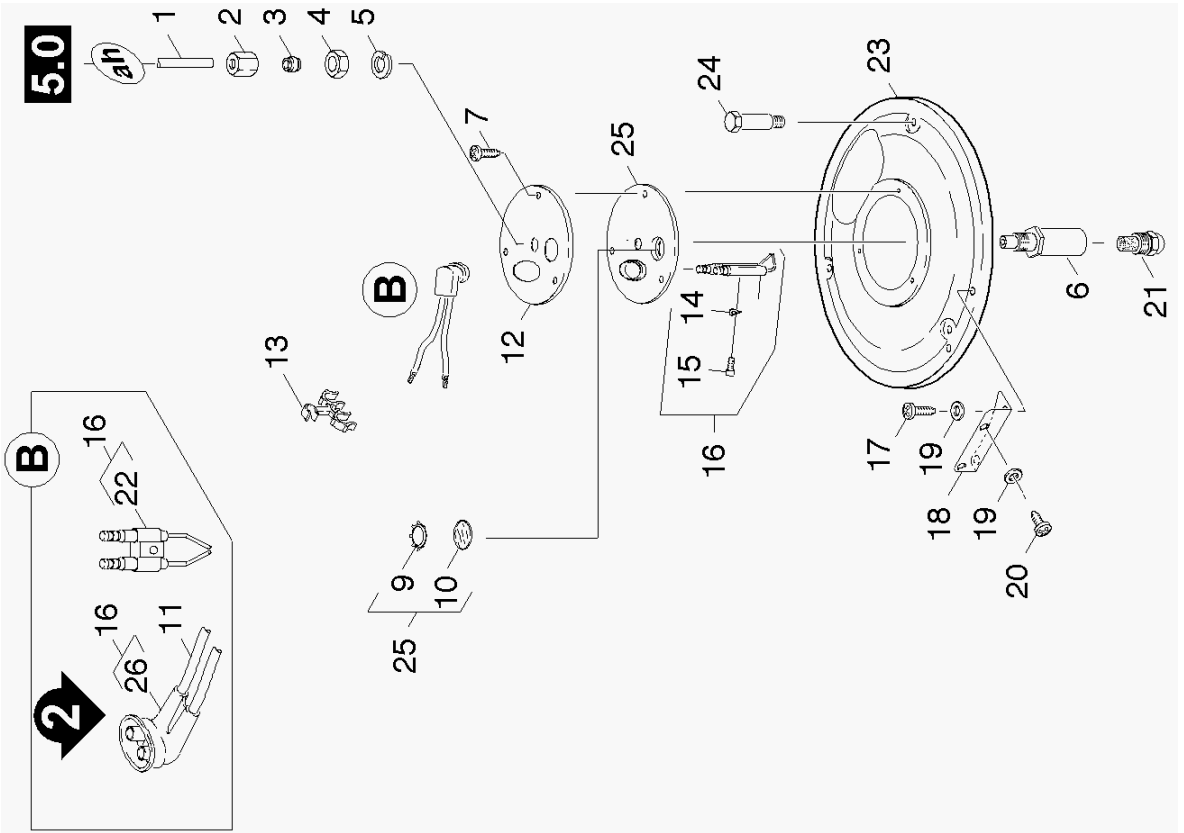
MOUNTING PARTS



MOUNTING PARTS

POS ITM. POS.	BENENNUNG DESCRIPTION DESIGNATION	TEILE-NR PART-NO NO. PIECE	STCK QTY. NBR	AB WERK-NR FROM SERIAL-NO TO SERIAL-NO	BIS WERK-NR
0001	SCREW	6.303-191.0	4,000		
0002	DISC	7.312-277.0	4,000		
0003	SLEEVE	5.110-760.0	4,000		
0008	FRAME	5.050-111.0	1,000		
0009	SCREW	6.303-031.0	2,000		
0010	LOCK WASHER	6.343-161.0	1,000		
0011	SCREW M 5X 10	7.303-037.0	1,000		
0012	CABLE 1,5X830-GG	4.822-102.0	1,000		

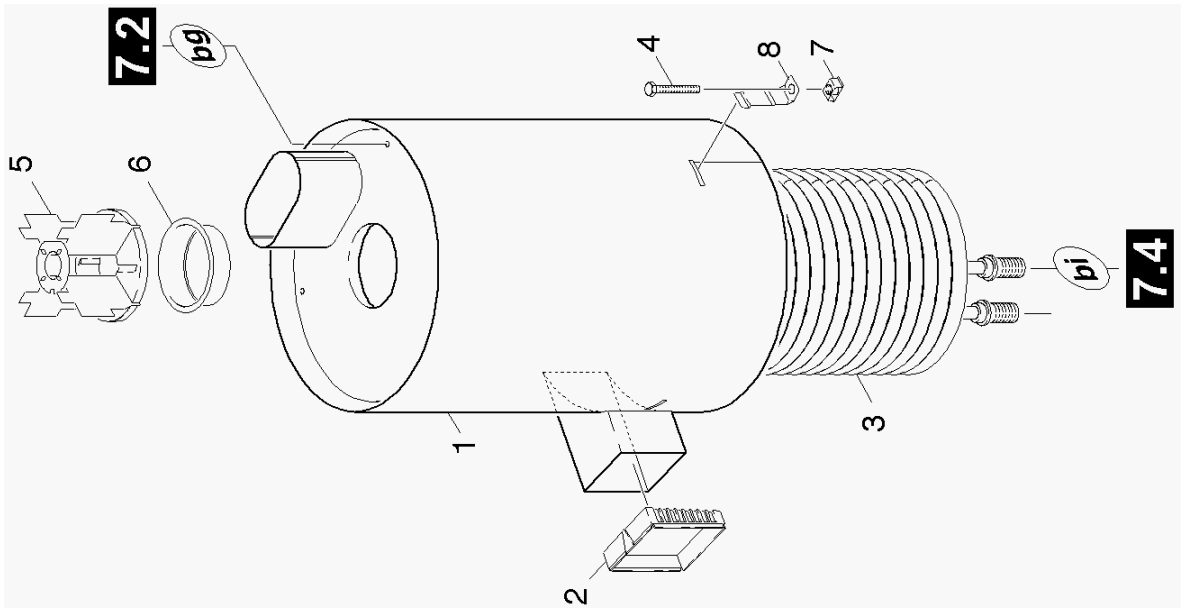
BURNER COVER



BURNER COVER

POS ITM. POS.	BENENNUNG DESCRIPTION DESIGNATION	TEILE-NR PART-NO NO. PIECE	STCK QTY. NBR	AB WERK-NR FROM SERIAL-NO TO SERIAL-NO	BIS WERK-NR
0001	PIPE	5.423-253.0	1,000		
0002	NUT	6.389-262.0	1,000		
0003	CUTTING RING	6.389-263.0	1,000		
0004	HEXAGON NUT	7.311-101.0	1,000		
0005	WASHER	7.312-302.0	1,000		
0006	BURNER NOZZLE HOLDER	5.667-055.0	1,000		
0007	SCREW	7.303-038.0	3,000		
0009	SERRATED RING	6.343-165.0	1,000		
0010	GLASS PANE	6.278-018.0	1,000		
0011	IGNITION LEAD (HDS 557CI)	4.821-071.0	1,000		
0012	COVER	5.654-059.0	1,000		
0013	BRACKET	6.647-527.0	1,000		
0014	WASHER B 5,0	7.312-304.0	1,000		
0015	SCREW	7.306-217.0	1,000		
0016	UBS	2.638-974.0	1,000		
0017	SCREW	7.306-090.0	2,000		
0018	BRACKET	5.762-234.0	1,000		
0019	DISC	7.312-276.0	4,000		
0020	SCREW	7.303-047.0	2,000		
0021	BURNER NOZZLE	6.415-664.0	1,000		
0022	ELECTRODE	2.884-085.0	1,000		
0023	COVER	4.654-196.0	1,000		
0024	SELF TAPPING SCREW	6.303-258.0	3,000		
0025	BURNER COVER	4.662-021.0	1,000		
0026	PROTECTION CAP	5.394-470.0	1,000		

FLOW HEATER

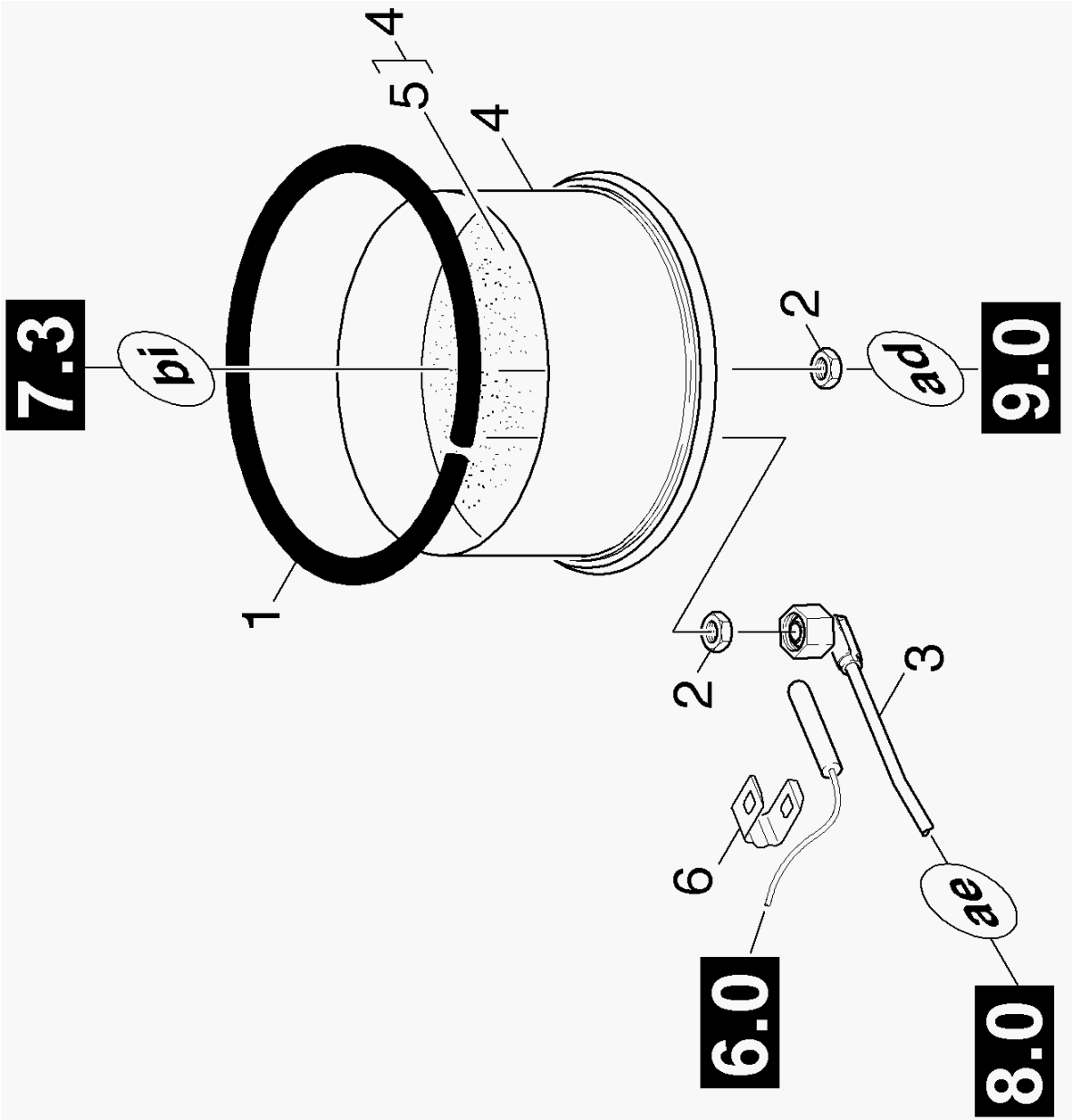


FLOW HEATER

POS	BENENNUNG	TEILE-NR	STCK	AB WERK-NR	BIS WERK-NR
ITM.	DESCRIPTION	PART-NO	QTY.	FROM SERIAL-NO TO SERIAL-NO	
POS.	DESIGNATION	NO. PIECE	NBR		

0001	Outer covering	4.652-133.0	1,000		
0002	COLLAR	5.178-037.0	1,000		
0003	HEATING COIL	4.680-126.0	1,000		
0004	HEXAGONAL HEAD SCREW	7.304-051.0	3,000		
0005	BURNER CAGE	4.663-122.0	1,000		
0006	BURNER PART	5.664-233.0	1,000		
0007	NUT M8	6.310-081.0	3,000		
0008	BRACKET	5.044-420.0	3,000		

BURNER BOTTOM



BURNER BOTTOM

POS	BENENNUNG	TEILE-NR	STCK	AB WERK-NR	BIS WERK-NR
ITM.	DESCRIPTION	PART-NO	QTY.	FROM SERIAL-NO TO SERIAL-NO	
POS.	DESIGNATION	NO. PIECE	NBR		

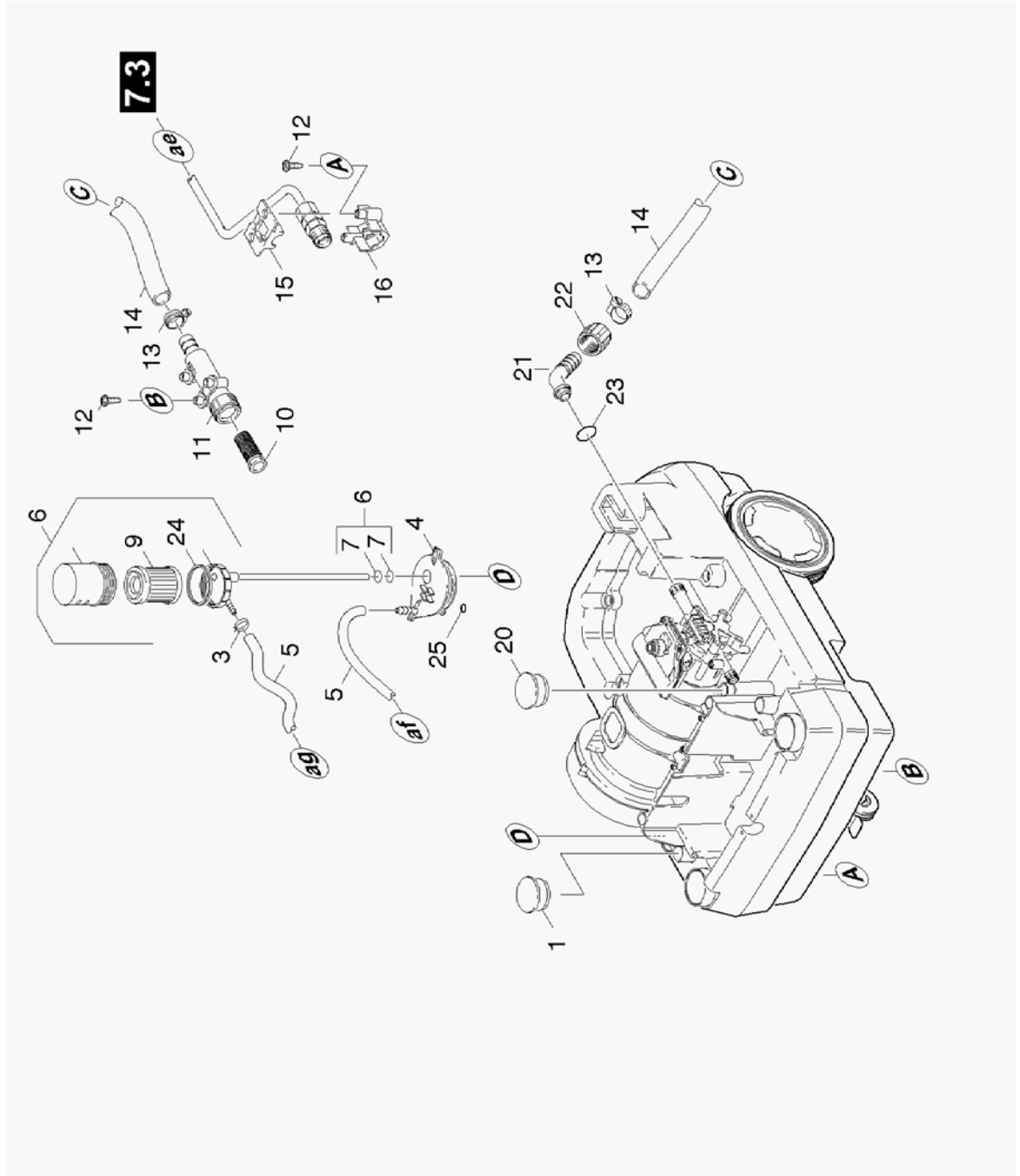
0001	PROFILE GASKET	6.366-009.0	1,000		
0002	HEXAGONAL NUT	7.311-112.0	2,000		
0003	PIPELINES	4.421-569.0	1,000		
0004	PLATE	4.655-044.0	1,000		
0005	STAMPING MASS	2.889-061.0	1,000		
0006	CLAMP ELEMENT	5.263-064.0	1,000		

Ersatzteile unter www.gluesing.net

PIPING



PIPING



PIPING

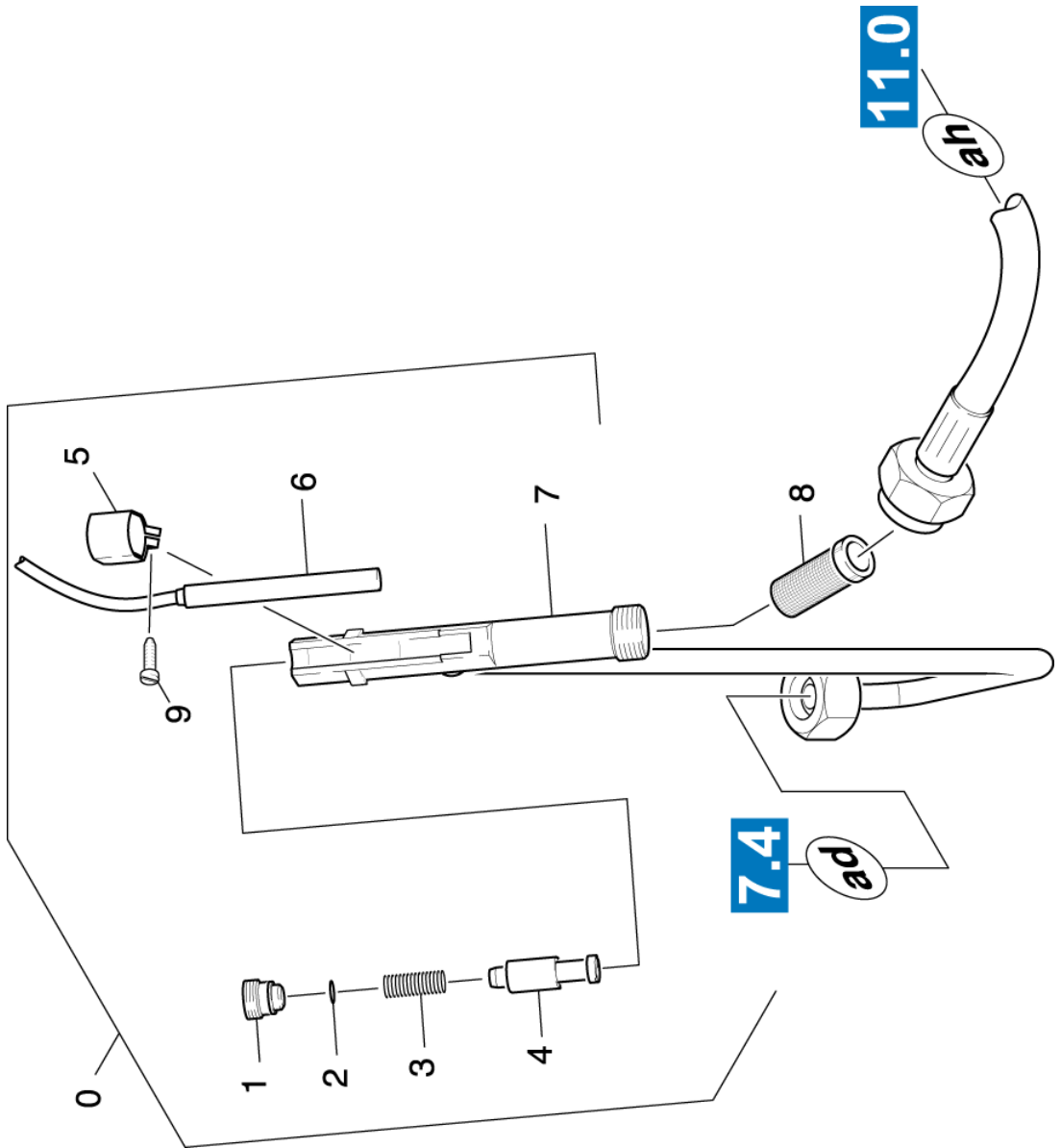
POS ITM. POS.	BENENNUNG DESCRIPTION DESIGNATION	TEILE-NR PART-NO NO. PIECE	STCK QTY. NBR	AB WERK-NR FROM SERIAL-NO TO SERIAL-NO	BIS WERK-NR
---------------------	---	----------------------------------	---------------------	---	-------------

0001	DRAIN PLUG	6.368-312.0	1,000		
0003	HOSE BAND CLIP	6.389-768.0	1,000		
0004	COVER	5.064-179.0	1,000		
0005	HOSE	6.389-534.0	1,000		
0006	FILTER kpl.	4.730-117.0	1,000		
0007	O-RING 9,0 X 1,5	6.362-384.0	2,000		
0009	FILTER	6.414-559.0	1,000		
0010	FILTER	6.414-141.0	1,000		
0011	MANIFOLD	5.427-249.0	1,000		
0012	SCREW	7.303-114.0	4,000		
0013	HOSE BAND CLIP A	7.373-022.0	2,000		
0014	HOSE	6.390-573.0	1,000		
0015	CLAMP ELEMENT	5.263-066.0	1,000		
0016	CLAMP ELEMENT	5.263-065.0	1,000		
0020	DRAIN PLUG	6.368-319.0	1,000		
0021	HOSE STEM	5.443-285.0	1,000		
0022	NUT	5.310-062.0	1,000		
0023	O RING	6.362-078.0	1,000		
0024	SEAL	5.363-629.0	1,000		
0025	O RING	6.362-499.0	1,000		

Ersatzteile unter www.gluesing.net

SAFETY SYSTEM





SAFETY SYSTEM

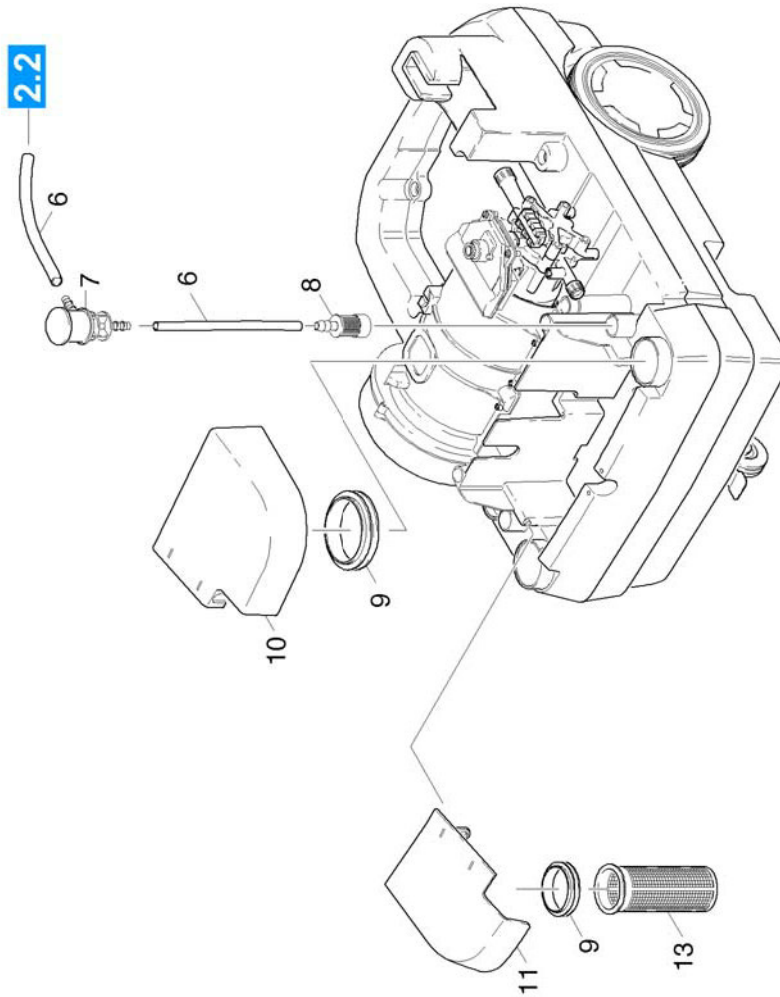
POS	BENENNUNG	TEILE-NR	STCK	AB WERK-NR	BIS WERK-NR
ITM.	DESCRIPTION	PART-NO	QTY.	FROM SERIAL-NO TO SERIAL-NO	
POS.	DESIGNATION	NO. PIECE	NBR		

0000	SAFETY SYSTEM	4.749-154.0	1,000		
0001	SPECIAL SCREW	5.305-162.0	1,000		
0002	O-RING	6.362-482.0	1,000		
0003	SPRING	5.332-057.0	1,000		
0004	PISTON	4.553-022.0	1,000		
0005	CLAMP	5.041-076.0	1,000		
0006	REED SWITCH	2.883-384.0	1,000		
0007	MANIFOLD	4.427-198.0	1,000		
0008	STRAINER	6.414-566.0	1,000		
0009	OVAL HEAD SCREW 4.2X 13	6.303-122.0	1,000		

Ersatzteile unter www.gluesing.net

CHEMISTRY





CHEMISTRY

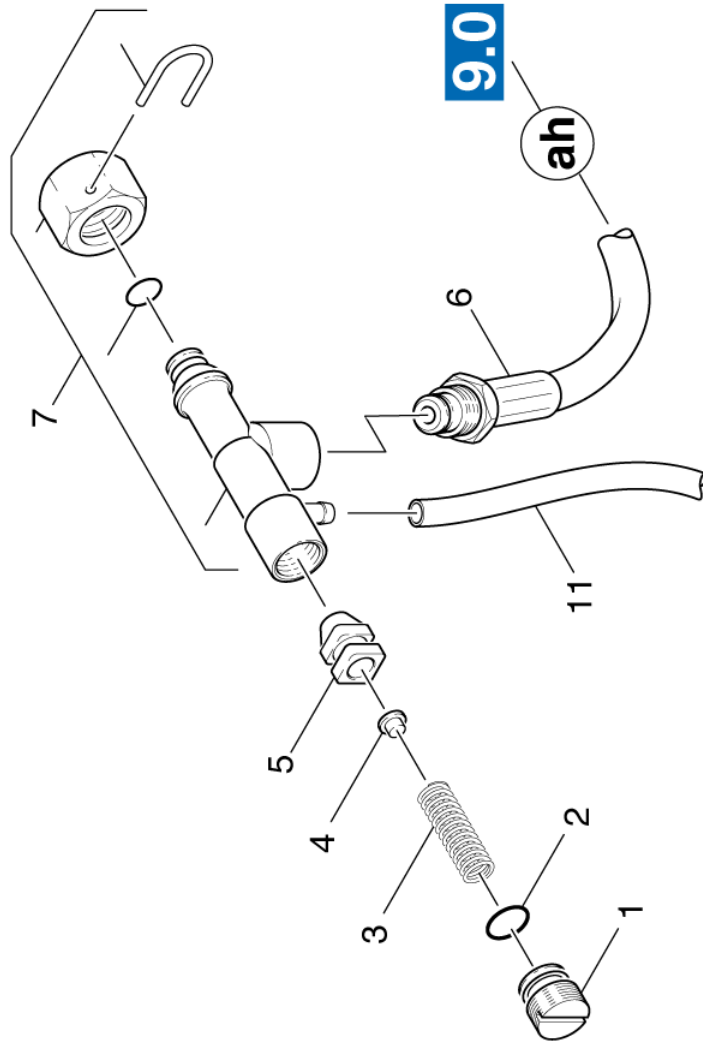
POS	BENENNUNG	TEILE-NR	STCK	AB WERK-NR	BIS WERK-NR
ITM.	DESCRIPTION	PART-NO	QTY.	FROM SERIAL-NO TO SERIAL-NO	
POS.	DESIGNATION	NO. PIECE	NBR		

0006	HOSE	6.390-426.0	2,000		
0007	PLUG	5.132-134.0	1,000		
0008	CHEMICAL VALVE	4.862-032.0	1,000		
0009	JOINT RING	5.363-542.0	2,000		
0010	COVER	5.063-860.0	1,000		
0011	COVER	5.063-859.0	1,000		
0013	FILTER	5.731-039.0	1,000		

SAFETY VALVE



SAFETY VALVE



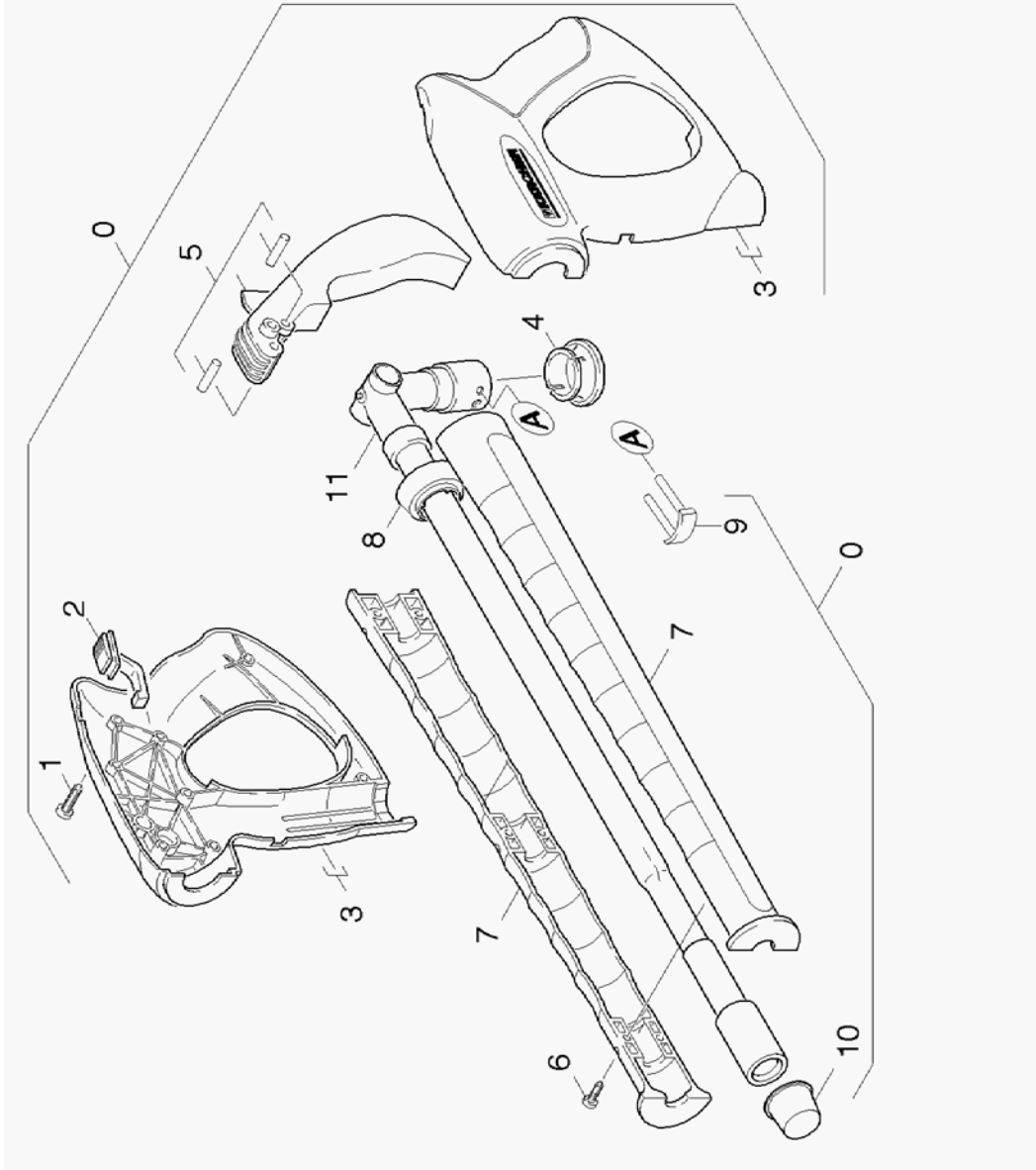
SAFETY VALVE

POS	BENENNUNG	TEILE-NR	STCK	AB WERK-NR	BIS WERK-NR
ITM.	DESCRIPTION	PART-NO	QTY.	FROM SERIAL-NO TO SERIAL-NO	
POS.	DESIGNATION	NO. PIECE	NBR		
0001	VALVE SCREW	5.583-096.0	1,000		
0002	O RING 12.0 X 2.0	6.362-169.0	1,000		
0003	HELICAL SPRING	5.332-414.0	1,000		
0004	VALVE PIN	5.584-060.0	1,000		
0005	VALVE DISC	4.582-019.0	1,000		
0006	HIGH PRESSURE HOSE	6.390-479.0	1,000		
0007	SAFETY VALVE	4.749-163.0	1,000		
0011	HOSE	6.390-426.0	1,000		

ACCESSORIES



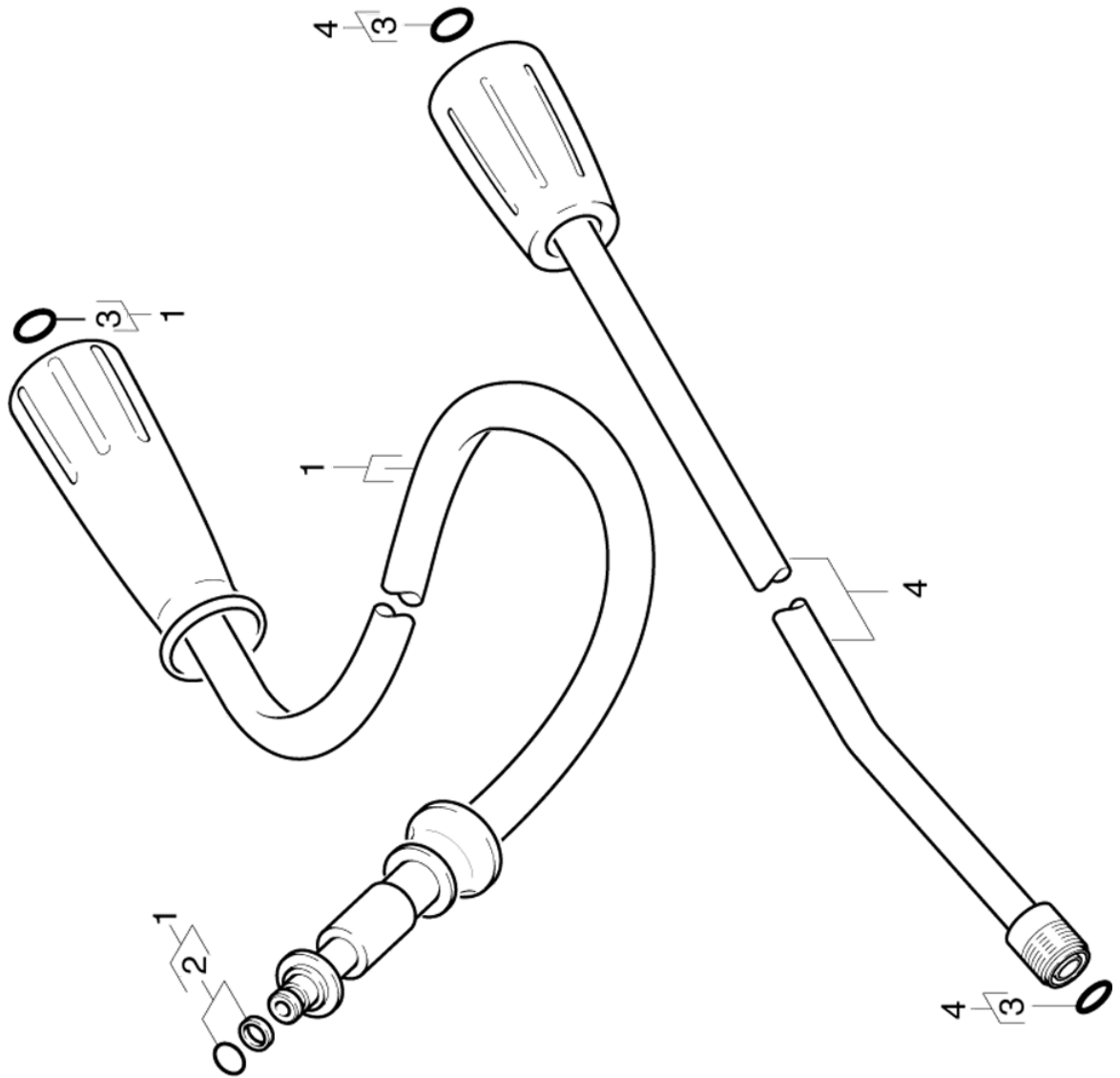
TRIGGER GUN



TRIGGER GUN

POS	BENENNUNG	TEILE-NR	STCK	AB WERK-NR	BIS WERK-NR
ITM.	DESCRIPTION	PART-NO	QTY.	FROM SERIAL-NO TO SERIAL-NO	
POS.	DESIGNATION	NO. PIECE	NBR		
0000	Trigger gun	4.775-529.0	1,000		
0001	Screw 4 x 22-St-10.9-A2R (IN6RD)	7.303-096.0	7,000		
0002	LEVER	5.481-331.0	1,000		
0003	HANDLES	5.321-669.0	1,000		
0004	SLEEVE	5.110-596.0	1,000		
0005	LEVER kpl.	4.481-209.0	1,000		
0006	SCREW	7.303-129.0	6,000		
0007	HANDLES Strahlrohr	5.321-691.0	1,000		
0008	Moulded part	5.032-801.0	1,000		
0009	HOOK	4.037-013.0	1,000		
0010	PROTECTING CAP 22X1,5	6.368-012.0	1,000		
0011	Manifold complete	4.427-305.0	1,000		

JET PIPE

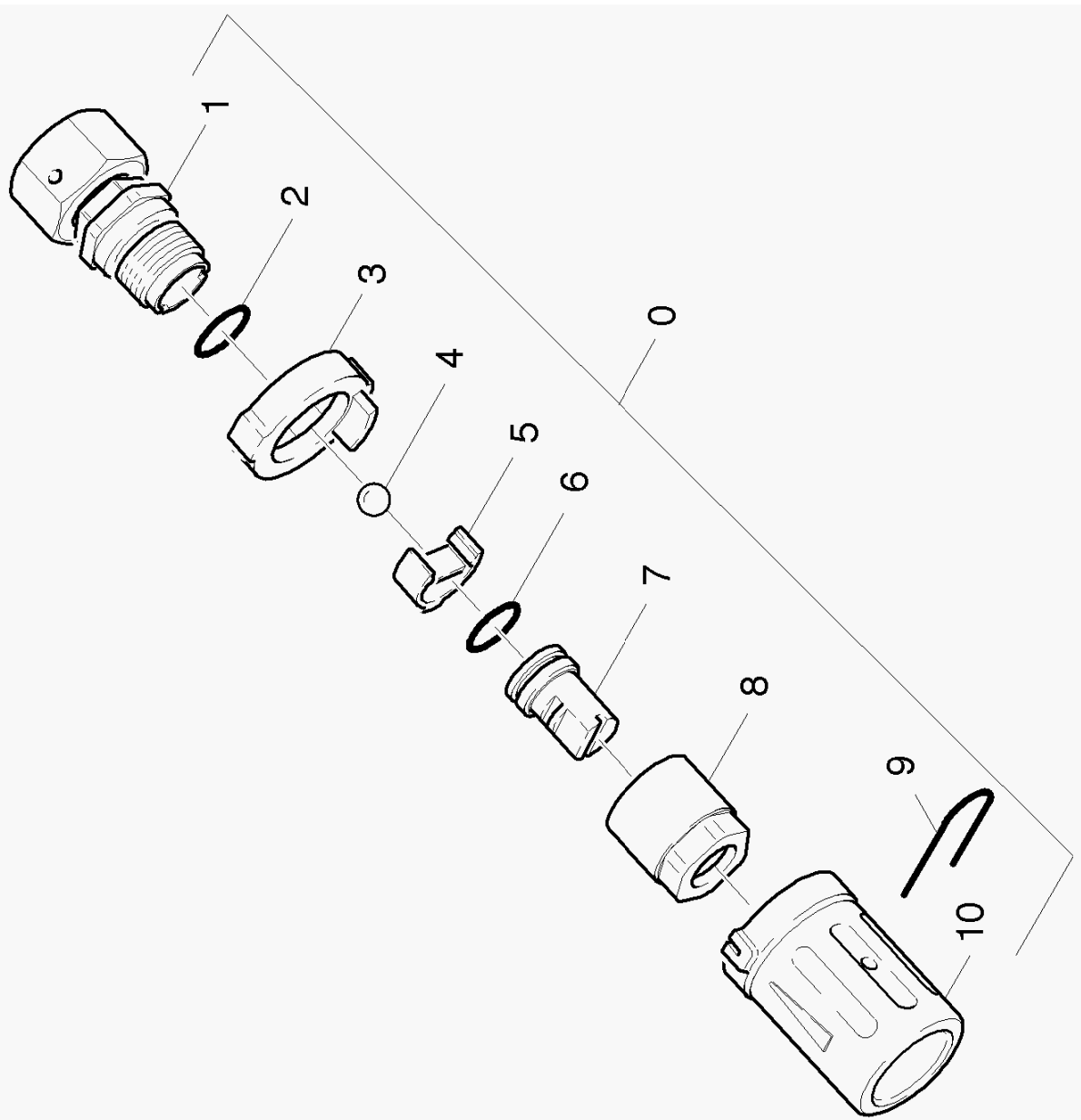


JET PIPE

POS ITM. POS.	BENENNUNG DESCRIPTION DESIGNATION	TEILE-NR PART-NO NO. PIECE	STCK QTY. NBR	AB WERK-NR FROM SERIAL-NO TO SERIAL-NO	BIS WERK-NR
0001	HIGH PRESSURE HOSE	6.390-025.0	1,000		
0002	GASKET	6.363-116.0	1,000		
0003	KIT HDS 580-760	2.880-296.0	1,000		
0004	LANCE	4.760-356.0	1,000		

Ersatzteile unter www.gluesing.net

NOZZLE



NOZZLE

POS ITM. POS.	BENENNUNG DESCRIPTION DESIGNATION	TEILE-NR PART-NO NO. PIECE	STCK QTY. NBR	AB WERK-NR FROM SERIAL-NO TO SERIAL-NO	BIS WERK-NR
0000	CHANGEOVER NOZZLE	4.763-174.0	1,000		
0001	SCREW UNION KPL.	4.402-040.0	1,000		
0002	O-RING	6.362-460.0	1,000		
0003	MOULDING	5.030-383.0	1,000		
0004	BALL BEARING	7.401-918.0	1,000		
0005	BRACKET	5.042-283.0	1,000		
0006	O-RING	6.362-480.0	1,000		
0007	TWO NOZZLE	6.415-602.0	1,000		
0008	HEX NUT	5.311-117.0	1,000		
0009	CLAMP	5.037-035.0	1,000		
0010	PROTECTOR	5.394-155.0	1,000		

Ersatzteile unter www.gjuesing.net