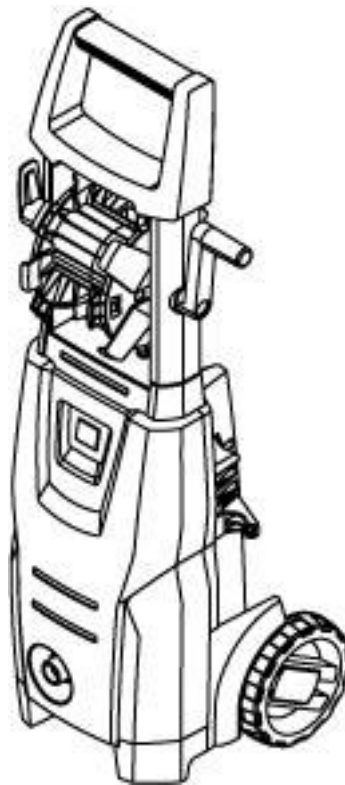


# PARTS LIST



2020.06.17

[www.nilfisk.com](http://www.nilfisk.com)

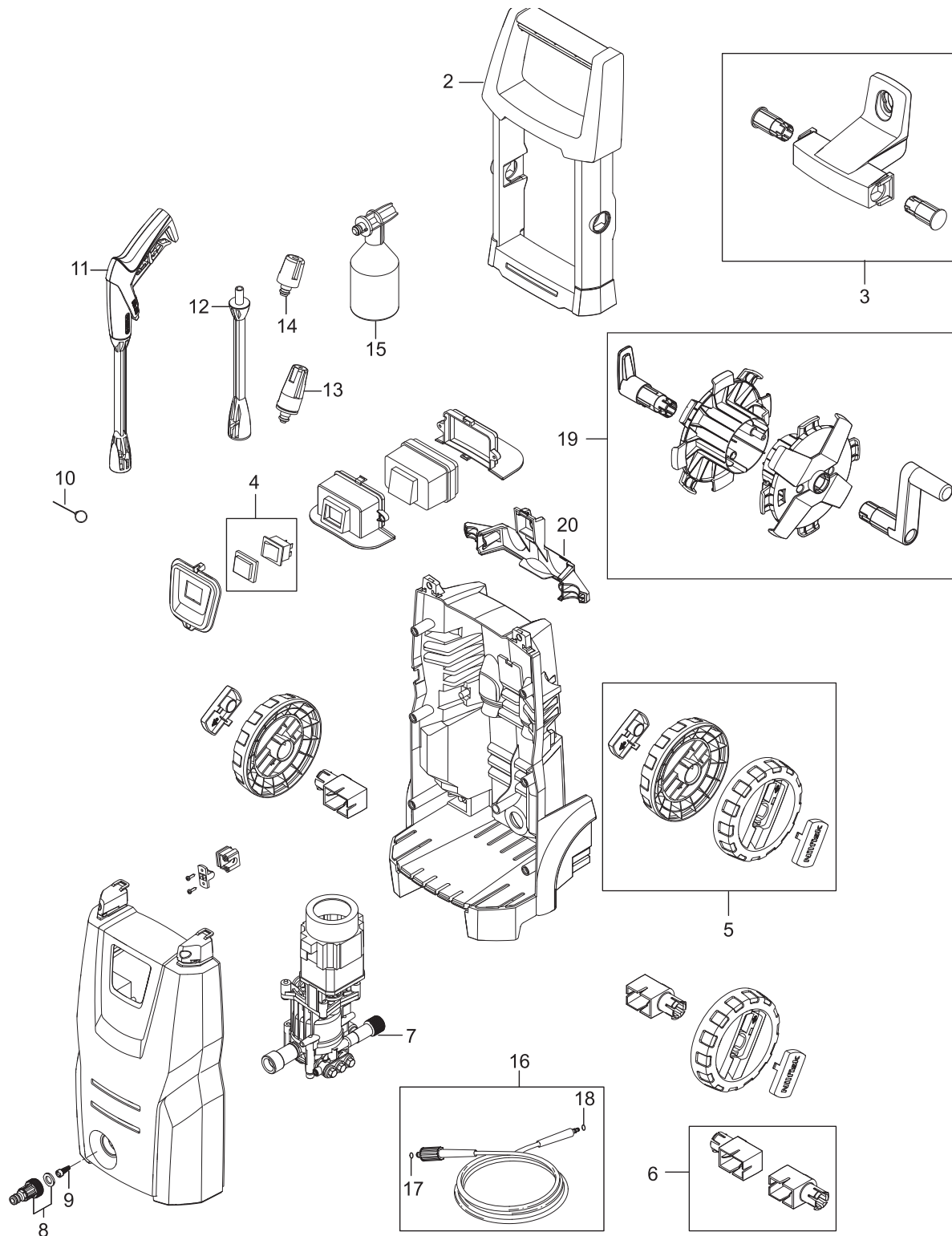
 **Nilfisk**

Ersatzteile unter [www.gluesing.net](http://www.gluesing.net)

# TABLE OF CONTENTS

---

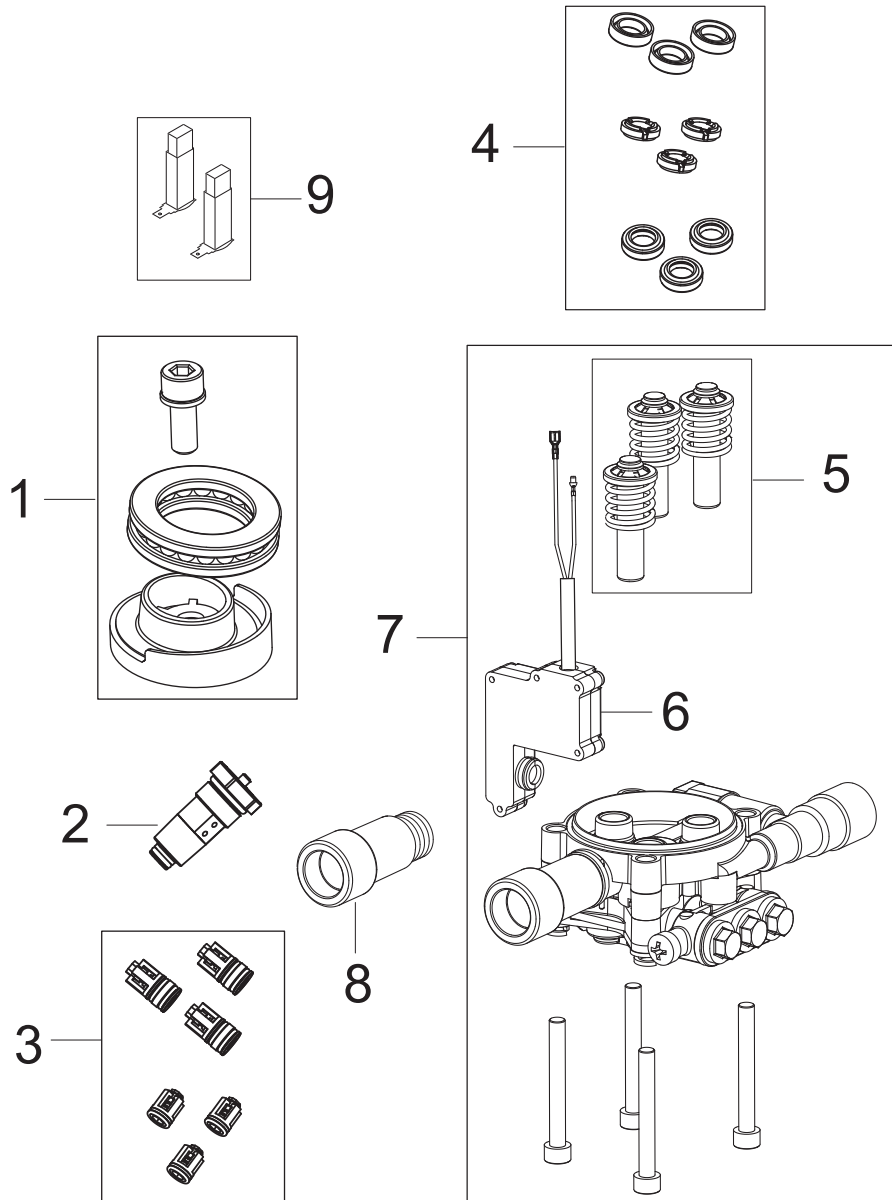
Overview .....	1
Motor pump .....	3
128500938 - Super Foam Sprayer (2017) .....	5



Pos.	Artikel-Nr.	Menge	Variante	Notes
0	128500944	1	10 PCS 4C BOX C 125.7	[1]
0	128501151	1	10 PCS. 4C BOX C 125.7 X-TRA	
2	31001125	1	HANDLE C125.7 INCL 2 SCREWS	
3	31001129	1	HOSE HOOK	[2]
4	126486831	1	Schalter kpl.	
5	31000521	1	Räder 2Stk. im Set	
6	31001126	1	WHEEL BRACKET KIT BIG	
7		1	Motor pump	[3]
8	1402809	1	Schlauchstutzen/Nippel	
9	6481094	1	Sieb	
10	6520844	1	Reinigungsnadel	
11	128500908	1	G1 GUN NILFISK	
12	128500073	1	STRAHLROHR G2 C&C	
13	128500298	1	C&C Powerspeed-Düse	
14	126481120	1	Düse blau	
14	126481116	1	Düse gelb	
15	128500077	1	Schaumsprüher mit Flasche	
16	31001102	1	HOSE 6M	
17	3001211	1	O-Ring 9,6 x 2,4 SMS	
17	6411218	1	O-Ringe (3001211)	
18	3004304	1	O-Ring 5,1x1,6 Viton	
19	31001130	1	C120.7/C125.7 HOSE REEL	[4]
20	31001127	1	ACCESSORY BRIDGE KIT BIG	

Part Notes:

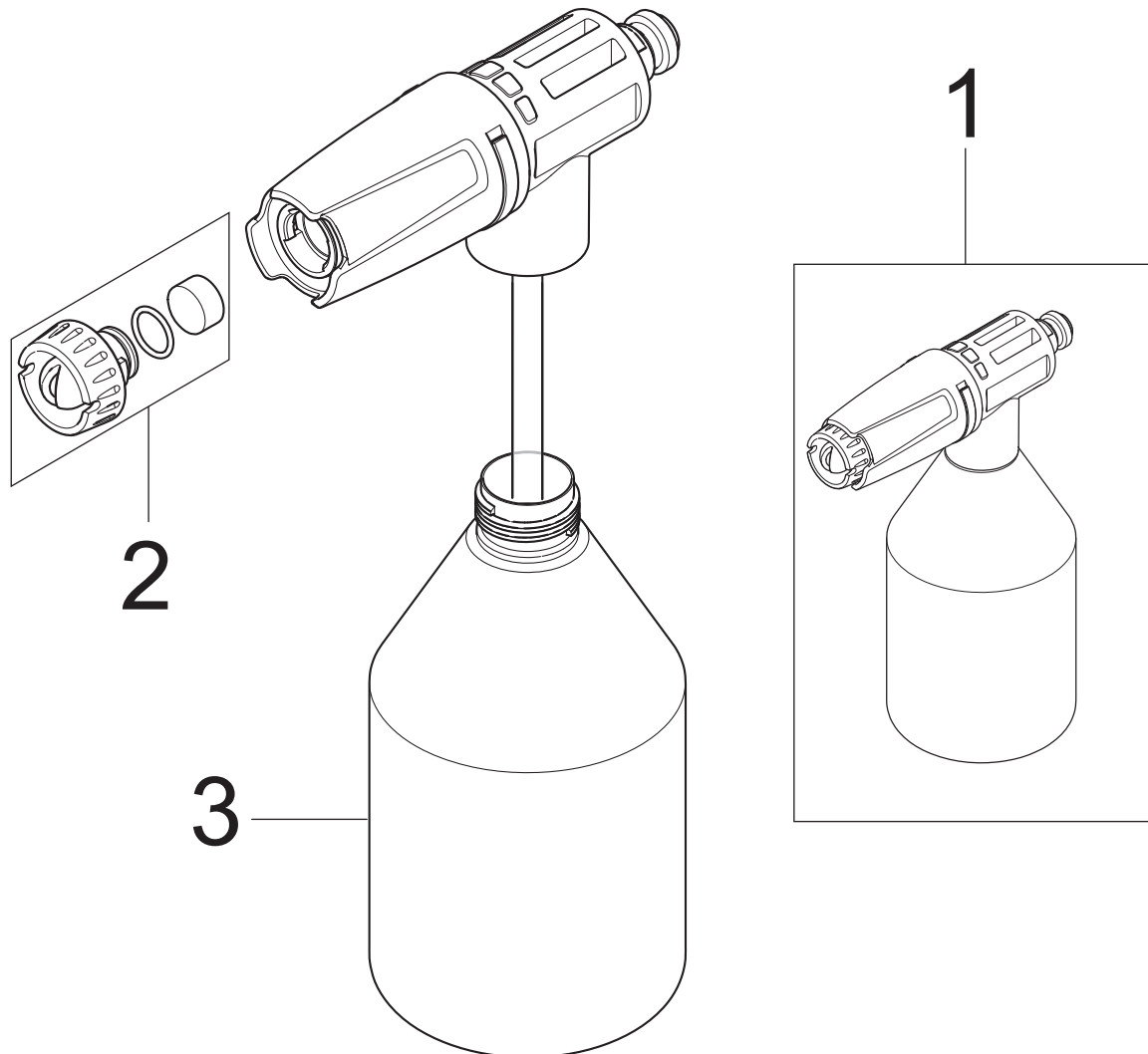
- [1] - NO LONGER AVAILABLE
- [2] - Without hose reel
- [3] - Motor pump
- [4] - Only X-TRA



Pos.	Artikel-Nr.	Menge	Variante	Notes
1	31001132	1	WOBBLE DISC KIT - 9.0 DEGREES	
2	31001131	1	START STOP SYSTEM BIG	
3	31000518	1	VALVE KIT	
4	31000516	1	SEALING KIT	
5	31000517	1	PUMP PISTON KIT	
6	31000514	1	Mikroschalter	
7	31000520	1	PUMP KIT	
8	31000791	1	WATER INLET PLASTIC	[1]
9	31000832	1	CARBON BRUSH KIT 2 PCS HEIGHT 9.9MM	[2]
9	31000833	1	CARBON BRUSH KIT 2 PCS HEIGHT 11.4MM	[3]

Part Notes:

- [1] - Included in pos. 7 - 31000520 Pump kit
- [2] - C100, 105 and 110
- [3] - C120 and C125



Pos.	Artikel-Nr.	Menge	Variante	Notes
			IS 128334418 - Super foam sprayer	[1]
1	128500938	1	NILFISK C C SUPER FOAM SPRAYER	
2	128500967	1	END NOZZLE KIT FOAM SPRAYER	
3	5300411	1	Reinigungsmittelflasche	[2]

## Part Notes:

- [1] - IS 128334418 - Super Foam Sprayer
- [2] - EXPIRED USE 128501205



