

**Ersatzteilliste
Spare Parts List
Liste des pièces de rechange**

KMR-TRAC

1.039-104.0 KMR TRAC

GRUPPE: 1.0 GRUNDRAHMEN
GROUP: 1.0 BASE FRAME
GRUPPE: 1.0 CADRE

A1

KMR-TRAC

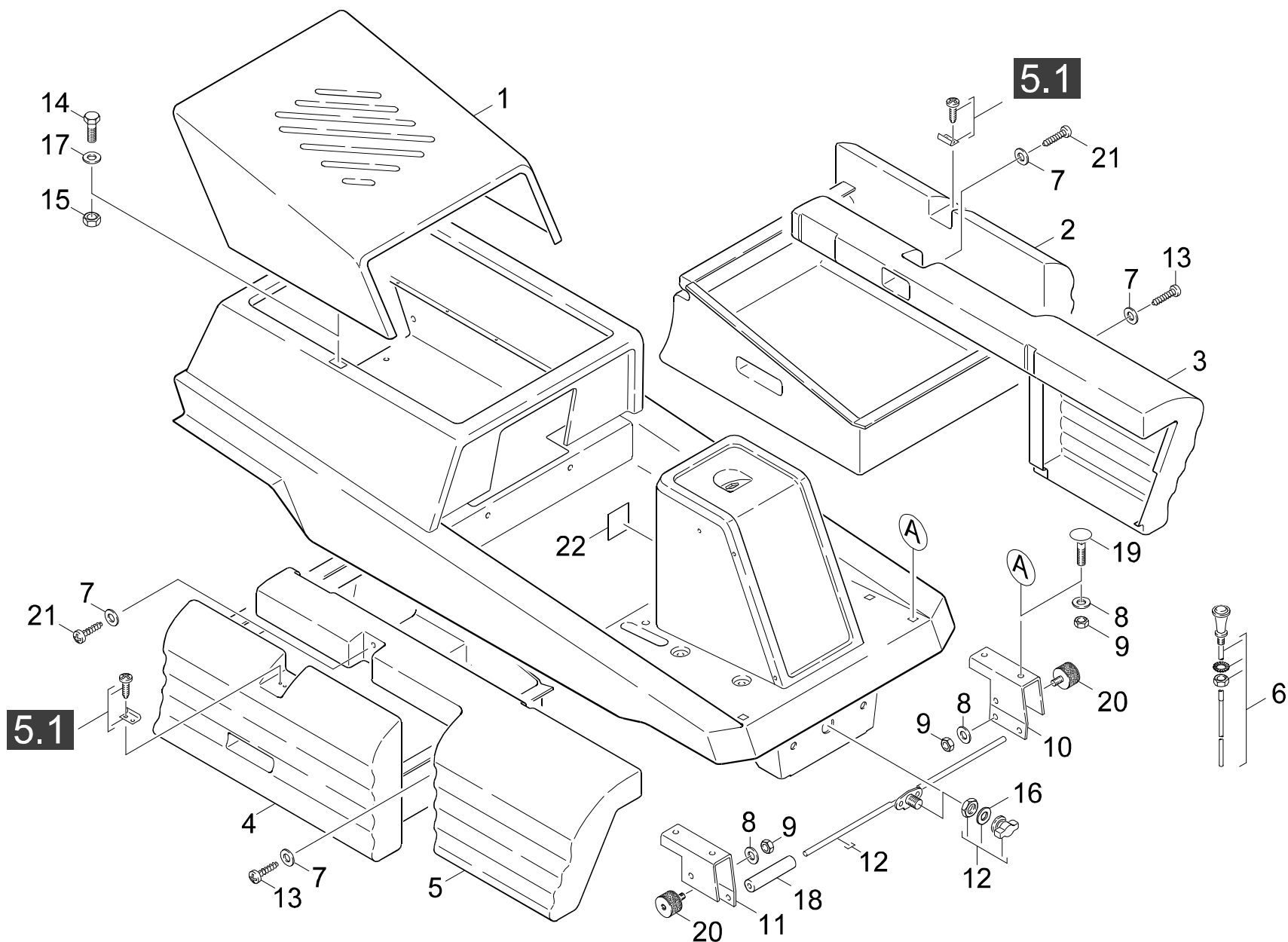
GRUPPE: 1.0 GRUNDRAHMEN
GROUP: 1.0 BASE FRAME
GRUPPE: 1.0 CADRE

GRUPPE: 1.1 VERKLEIDUNG / VERS. 1 /
GROUP: 1.1 COVER / VERS. 1 /
GRUPPE: 1.1 CARROSSAGE / VERS. 1 /

B1

KMR-TRAC

Ersatzteile unter www.gluesing.net



Symbolbeschreibung siehe M16 / symbol description see M16 / désignation de système voir M16 /

GRUPPE: 1.1 VERKLEIDUNG / VERS. 1 /
 GROUP: 1.1 COVER / VERS. 1 /
 GROUPE: 1.1 CARROSSAGE / VERS. 1 /

C1

KMR-TRAC

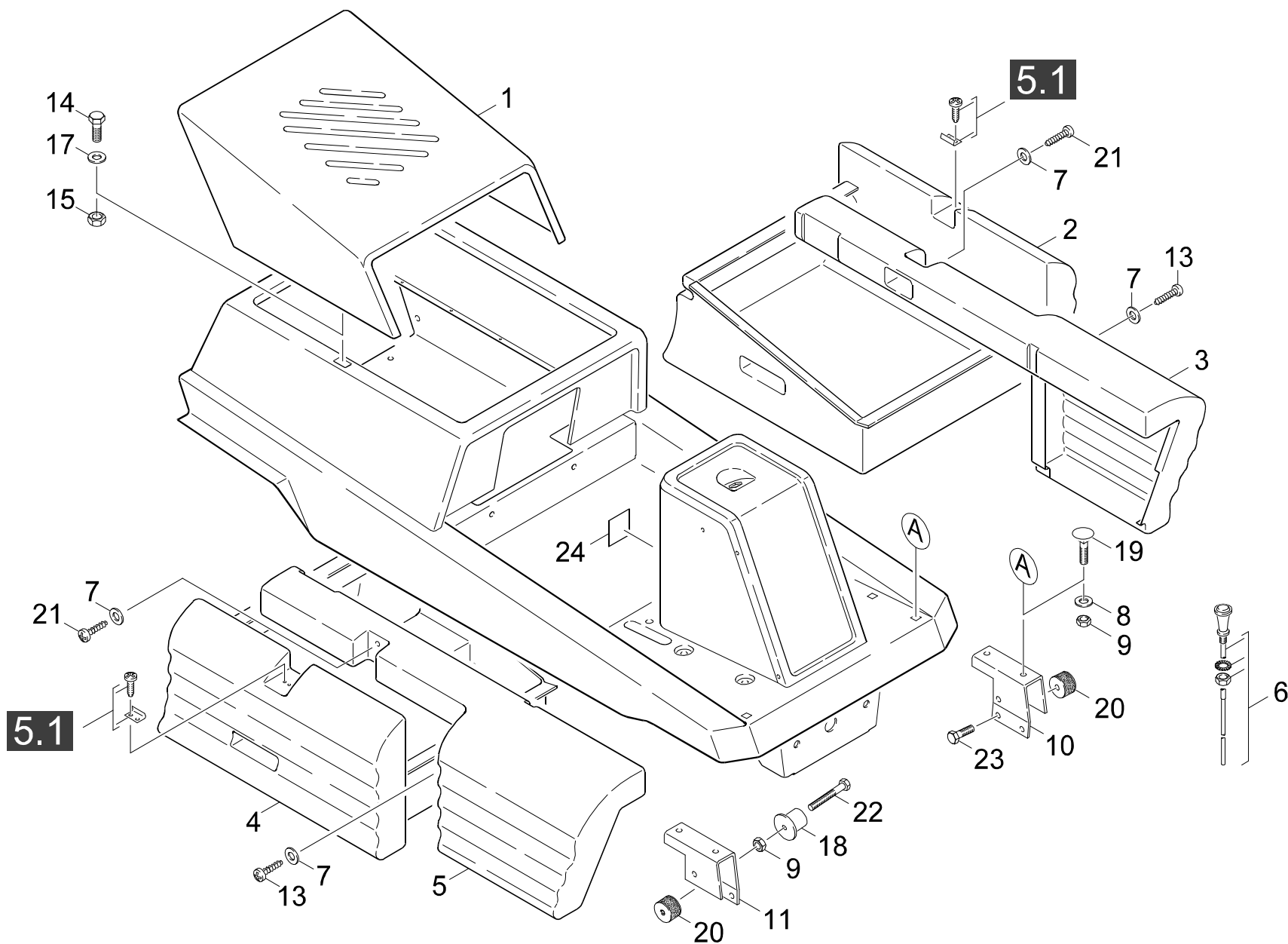
POS. ITM. POS.	BENNENNUNG DESCRIPTION DESIGNATION	TEILE-NR. PART-NO. NO.PIECE	STCK QTY. NBR.
1	HAUBE / COVER / CAPOT	6.970-001.0	1
2	KEHRBEHAELTER LI / SWEEP TANK / BAC BALAYER	5.031-205.0	1
3	VERKLEIDUNG LINKS / COVER / CARROSSAGE	5.031-211.0	1
4	KEHRBEHAELTER RE / SWEEP TANK / BAC BALAYER	5.031-204.0	1
5	VERKLEIDUNG RECHTS / COVER / CARROSSAGE	5.031-380.0	1
6	BOWDENZUG / BOWDEN WIRE / CABLE SOUS GAINÉ	6.431-128.0	1
	FETT-SPRAY FUER BOWDENZUG DOSE 400 ML		
	6.288-107/GREASE SPRAY FOR BOWDEN WIRE 400 ML TIN		
	6.288-107/GRAISSE POUR CABLE SOUS GAINÉ 400 ML BOITE		
	6.288-107		
7	SCHEIBE 4 / WASHER / RONDELLE	7.312-281.0	4
8	SCHEIBE 8 / WASHER / RONDELLE	7.312-004.0	3
9	6KT-MUTTER M 8 / HEXAGON NUT / ECROU HEXAGONAL	7.311-427.0	3
10	U-PROFIL / U-PROFILE / PROFILE EN U	6.970-002.0	1
11	U-PROFIL / U-PROFILE / PROFILE EN U	6.970-003.0	1
12	VORREIBER MIT GRIFF / SASH FASTENER / TOURNIQUET	6.375-224.0	1
13	SCHRAUBE 3,5X14 / SCREW / VIS	6.303-175.0	4
14	SCHRAUBE M 6X 16 / SCREW / VIS	7.306-090.0	2
15	KAFIGMUTTER M 6 / NUT / ECROU	6.310-020.0	2
16	SCHEIBE 22 / WASHER / RONDELLE	7.312-024.0	2
17	SCHEIBE 6 / WASHER / RONDELLE	7.312-003.0	4
18	ROHR / PIPE / TUYAU	5.028-972.0	1
19	6KT-SCHR. M 8X 20 / HEXAGONAL HEAD SCREW / VIS HEXAGONAL	7.304-397.0	2
20	HANDGRIFF / HANDLE / POIGNEE	6.905-930.0	1
21	GUMMIPUFFER / RUBBER BUFFER / BUTOIR CAOUTCHOU	6.339-079.0	2
22	HINWEISSCHILD / INFORMATION SIGN / PLAQUE INDICATRICE	5.383-184.0	1

"=> xxxxxx" = bis Werknummer / up to serial No. / jusqu' au No. de fabr. / "xxxxxx =>" = ab Werknummer / from serial No. / a partir du No. de fabr. /

GRUPPE: 1.2 VERKLEIDUNG / VERS. 2 /
GROUP: 1.2 COVER / VERS. 2 /
GRUPPE: 1.2 CARROSSAGE / VERS. 2 /

D1

KMR-TRAC



Symbolbeschreibung siehe M16 / symbol description see M16 / désignation de système voir M16 /

GRUPPE: 1.2 VERKLEIDUNG / VERS. 2 /
 GROUP: 1.2 COVER / VERS. 2 /
 GROUPE: 1.2 CARROSSAGE / VERS. 2 /

E1

KMR-TRAC

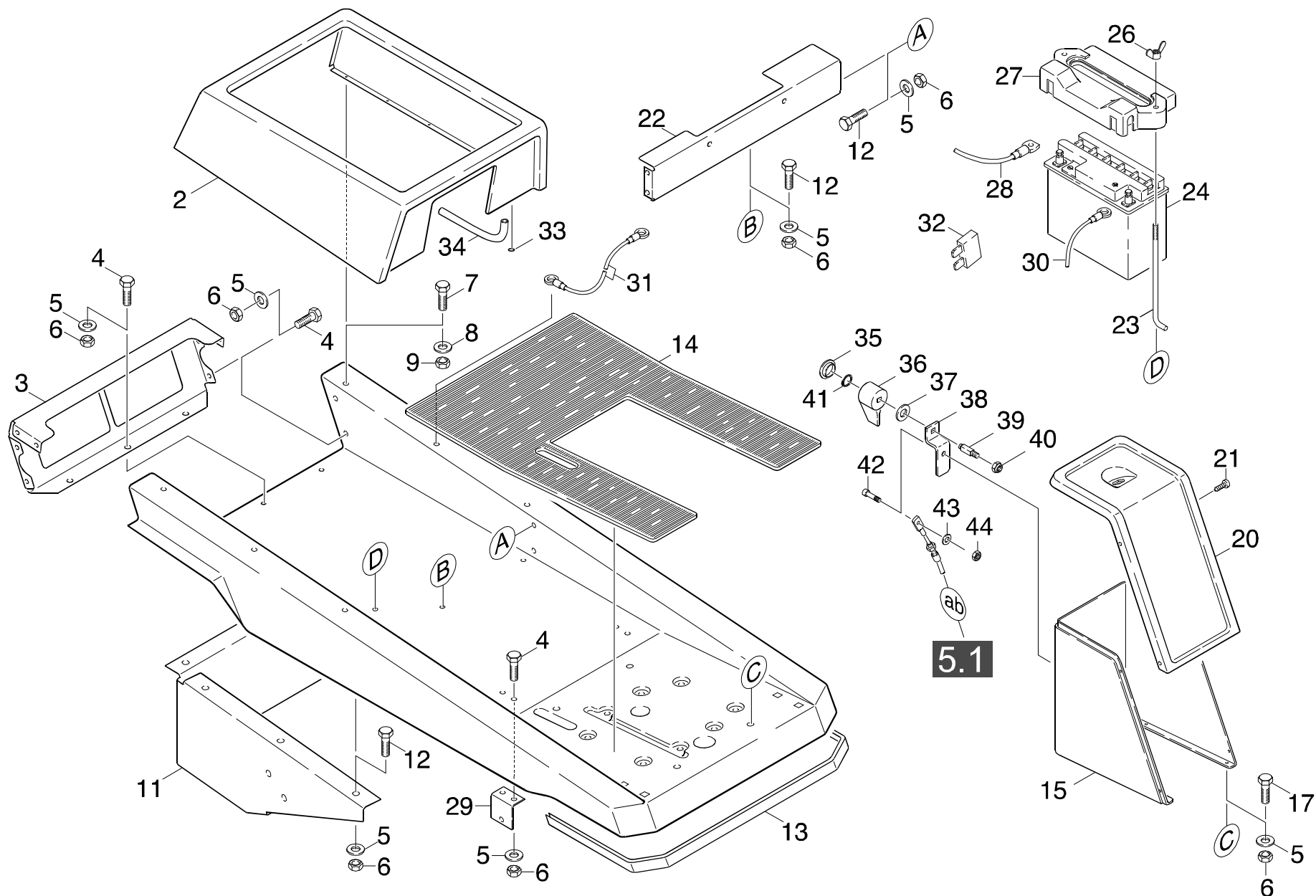
POS. ITM. POS.	BENNENNUNG DESCRIPTION DESIGNATION	TEILE-NR. PART-NO. NO.PIECE	STCK QTY. NBR.
1	HAUBE / COVER / CAPOT	6.970-001.0	1
2	KEHRBEHAELTER LI / SWEEP TANK / BAC BALAYER	5.031-205.0	1
3	VERKLEIDUNG LINKS / COVER / CARROSSAGE	5.031-379.0	1
4	KEHRBEHAELTER RE / SWEEP TANK / BAC BALAYER	5.031-204.0	1
5	VERKLEIDUNG RECHTS / COVER / CARROSSAGE	5.031-380.0	1
6	BOWDENZUG / BOWDEN WIRE / CABLE SOUS GAINE	6.431-128.0	1
7	SCHEIBE 4 / WASHER / RONDELLE	7.312-281.0	4
8	SCHEIBE 8 / WASHER / RONDELLE	7.312-004.0	2
9	6KT-MUTTER M 8 / HEXAGON NUT / ECROU HEXAGONAL	7.311-004.0	3
10	U-PROFIL / U-PROFILE / PROFILE EN U	6.970-002.0	1
11	U-PROFIL / U-PROFILE / PROFILE EN U	6.970-003.0	1
13	SCHNEIDSCHR. M4X 12 / SELF-TAPPING SCREW / VIS AUTOTARAUEUSE	7.303-507.0	2
14	SCHRAUBE M 6X 16 / SCREW / VIS	7.306-090.0	2
15	KAFIGMUTTER M 6 / NUT / ECROU	6.310-020.0	2
17	SCHEIBE 6 / WASHER / RONDELLE	7.312-003.0	4
18	ROHR / PIPE / TUYAU	5.029-272.0	1
19	6KT-SCHR. M 8X 20 / HEXAGONAL HEAD SCREW / VIS HEXAGONAL	7.304-397.0	2
20	GUMMIPUFFER / RUBBER BUFFER / BUTOIR CAOUTCHOUC	6.339-161.0	2
21	SCHNEIDSCHR. M4X 25 / SELF-TAPPING SCREW / VIS AUTOTARAUEUSE	7.303-508.0	2
22	6KT-SCHR. M 8X 50 / HEXAGONAL HEAD SCREW / VIS HEXAGONAL	7.304-102.0	1
23	6KT-SCHR. M 8X 12 / HEXAGONAL HEAD SCREW / VIS HEXAGONAL	7.304-394.0	1
24	HINWEISSCHILD / INFORMATION SIGN / PLAQUE INDICATRICE	5.383-184.0	1

"=> xxxxxx" = bis Werknummer / up to serial No. / jusqu' au No. de fabr. / "xxxxxx =>" = ab Werknummer / from serial No. / a partir du No. de fabr. /

GRUPPE: 1.3 RAHMEN
GROUP: 1.3 FRAME
GROUPE: 1.3 CADRE

F1

KMR-TRAC



Symbolbeschreibung siehe M16 / symbol description see M16 / désignation de système voir M16 /

GRUPPE: 1.3 RAHMEN
 GROUP: 1.3 FRAME
 GROUPE: 1.3 CADRE

G1

KMR-TRAC

POS. ITM. POS.	BENNENNUNG DESCRIPTION DESIGNATION	TEILE-NR. PART-NO. NO.PIECE	STCK QTY. NBR.	POS. ITM. POS.	BENNENNUNG DESCRIPTION DESIGNATION	TEILE-NR. PART-NO. NO.PIECE	STCK QTY. NBR.
2	HAUBE -MOTOR / COVER / CAPOT	6.970-004.0	1	42	ZYL.SCHR. M 5X 25 / CHEESE HEAD SCREW / VIS A TETE CYLINDR.	7.306-161.0	1
3	RAHMEN QUERSTEG H. / FRAME / CADRE	6.970-005.0	1	43	SCHEIBE 5 / WASHER / RONDELLE	7.312-002.0	1
4	6KT-SCHRAUBE 5/16" / HEXAGONAL HEAD SCREW / VIS HEXAGONAL	6.304-086.0	11	44	6KT-MUTTER M 5 / HEXAGON NUT / ECROU HEXAGONAL	7.311-421.0	1
5	FEDERRING B 8 / SPRING WASHER / RONDELLE GROWER	7.313-004.0	29				
6	6KT-MUTTER 5/16"-18 / HEXAGON NUT / ECROU HEXAGONAL	6.310-075.0	29				
7	6KT-SCHR. 1/4-20 / HEXAGONAL HEAD SCREW / VIS HEXAGONAL	6.970-123.0	6				
8	FEDERRING B 6 / SPRING WASHER / RONDELLE GROWER	7.313-003.0	6				
9	6KT-MUTTER 1/4-20 / HEXAGON NUT / ECROU HEXAGONAL	6.970-116.0	6				
11	AUFLAGER -TRANSAXLE / SUPPORT / SUPPORT	6.970-007.0	1				
12	6KT-SCHRAUBE / HEXAGONAL HEAD SCREW / VIS HEXAGONAL	6.304-068.0	11				
13	KANTENSCHUTZ / SHEATING / BORD DE PROTECTION	6.970-008.0	1				
14	GUMMIMATTE / RUBBER MATING / TAPIS DE CAOUTCHOUC	6.970-009.0	1				
15	GEHAEUSE -LENKUNG / HOUSING / BOITIER	6.970-010.0	1				
17	6KT-SCHR. 5/16-18 / HEXAGONAL HEAD SCREW / VIS HEXAGONAL	6.970-124.0	5				
20	ABDECKUNG -LENKUNG / COVER / CHAPEAU	6.970-011.0	1				
21	BL.SCHR. ST4,8X16 / SHEET METAL SCREW / VIS A TOLE	7.303-077.0	6				
22	TRAEGER -SITZ / CARRIER / LONGERON	6.970-012.0	1				
23	STANGE -BATTERIE / BAR / TIGE	6.970-013.0	2				
24	BATTERIE 12V / BATTERY / BATTERIE	6.970-147.0	1				
26	FLUEGELMUTTER 1/4 / WING NUT / ECROU A OREILLES	6.970-125.0	2				
27	ABDECKUNG -BATTERIE / COVER / CHAPEAU	6.970-014.0	1				
28	KABEL -POL - ANLASS / CABLE / CABLE	6.970-015.0	1				
29	WINKEL -KEHRKASTEN / ANGLE / ANGLE	6.970-158.0	2				
30	KABEL +POL - RELAIS / CABLE / CABLE	6.970-170.0	1				
31	KABEL -MASSE / CABLE / CABLE	6.970-171.0	1				
32	SICHERUNGSEINS C7,5 / FUSE INSERT / CARTOUCHE FUSIBLE	7.644-007.0	2				
33	O-RING 4,0 X 2,0 / GASKET / BAQUE D'ETANCHEITE	6.362-366.0	1				
34	SCHLAUCH DN 7 / HOSE / TUYAU FLEXIBLE	6.388-225.0	1				
35	STOPFEN / PLUG / BOUCHON	5.132-010.0	1				
36	GRIFF / HANDLE / POIGNEE	5.321-190.0	1				
37	SCHEIBE 10 / WASHER / RONDELLE	7.312-005.0	1				
38	HEBEL / LEVER / LEVIER	5.047-081.0	1				
39	ACHSE / AXLE / ESSIEU	5.105-155.0	1				
40	6KT-MUTTER M 6 / HEXAGON NUT / ECROU HEXAGONAL	7.311-425.0	1				
41	S-SCHEIBE 4 / LOCK WASHER / RONDELLE D'ARRET	7.343-203.0	1				

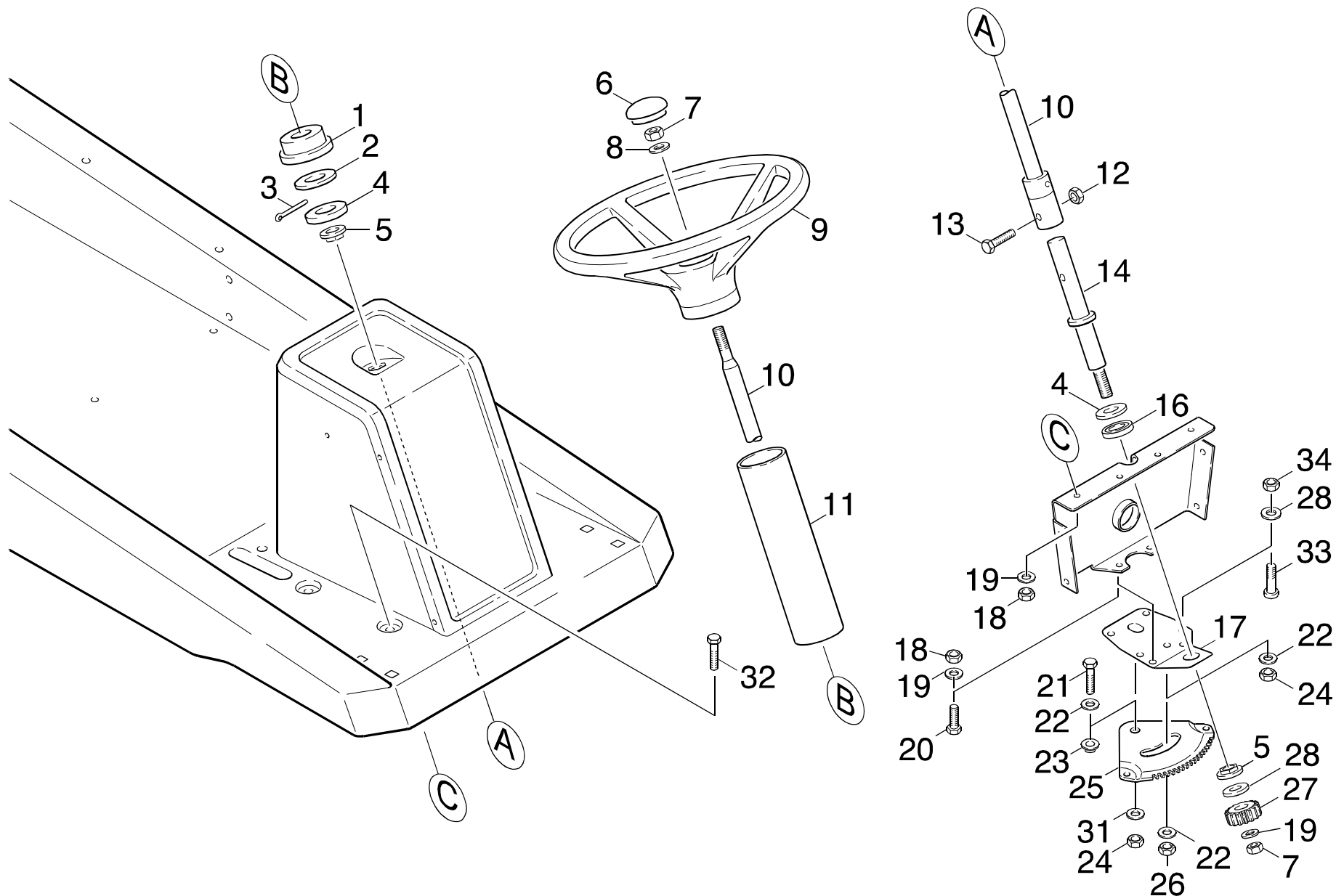
"=> xxxxxx" = bis Werknummer / up to serial No. / jusqu' au No. de fabr. / "xxxxxx =>" = ab Werknummer / from serial No. / a partir du No. de fabr. /

GRUPPE: 2.0 LENKUNG
GROUP: 2.0 STEERING
GRUPPE: 2.0 COMMANDE

A2

KMR-TRAC

GRUPPE: 2.0 LENKUNG
GROUP: 2.0 STEERING
GRUPPE: 2.0 COMMANDE



Symbolbeschreibung siehe M16 / symbol description see M16 / désignation de système voir M16 /

GRUPPE: 2.1 LENKSAEULE
 GROUP: 2.1 STEERING PILLAR
 GROUPE: 2.1 COLLONNE DE DIRECTION

C2

KMR-TRAC

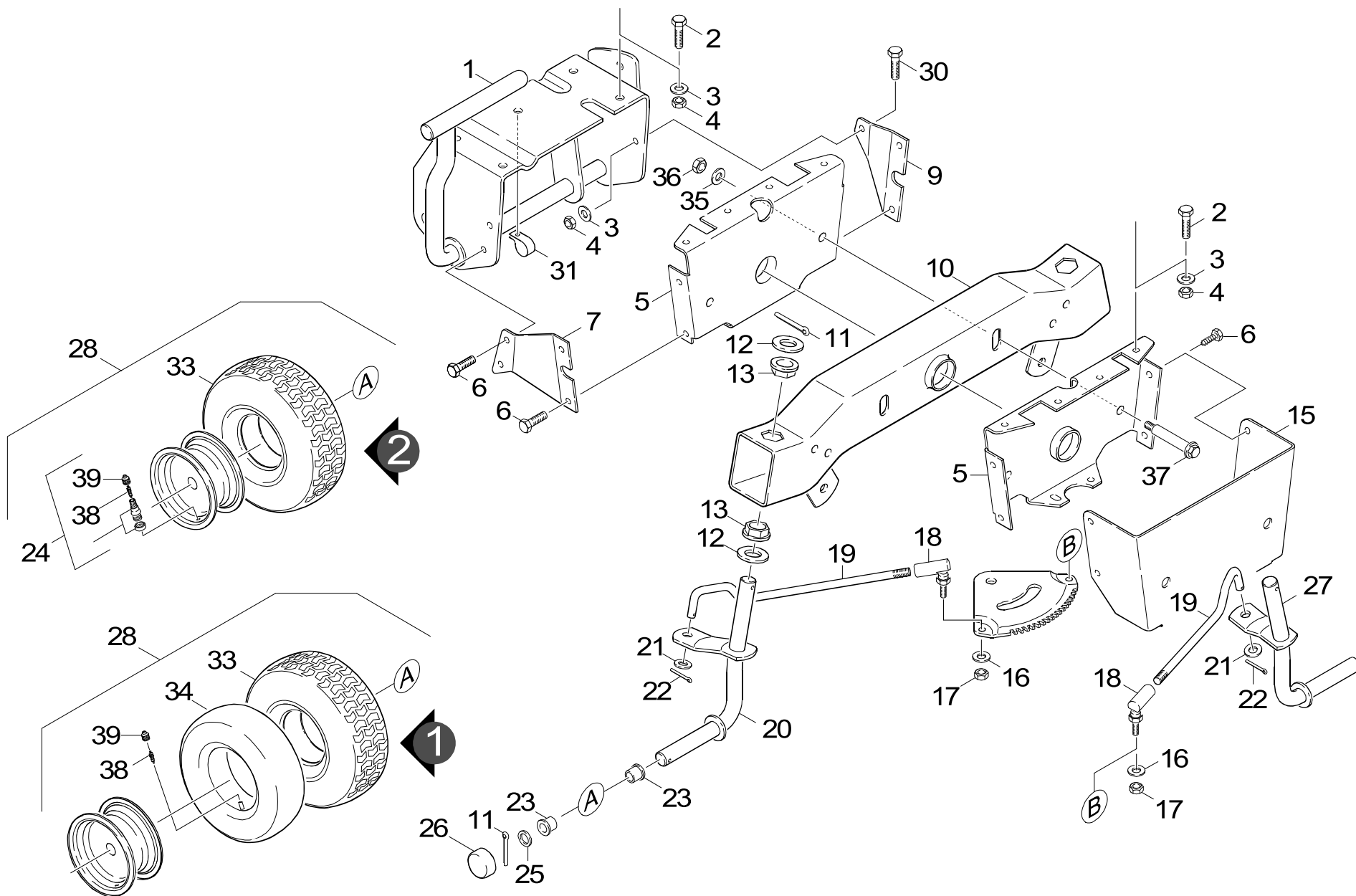
POS. ITM. POS.	BENNENUNG DESCRIPTION DESIGNATION	TEILE-NR. PART-NO. NO.PIECE	STCK QTY. NBR.
1	DISTANZHUELSE -LENK / SPACER SLEEVE / ENTRETOISE	6.970-016.0	1
2	SCHEIBE 0.64"X1.5" / WASHER / RONDELLE	6.970-114.0	1
3	SPLINT 3,2X 25 / COTTER / GOUPILLE FENDUE	7.316-347.0	1
4	SCHEIBE 0.635X1.24 / WASHER / RONDELLE	6.970-115.0	2
5	FLANSCHLAGER / FLANGED BEARING / FLASQUE-BRIDE	6.970-017.0	1
6	KAPPE / CAP / CAPUCHON	6.970-018.0	1
7	6KT-MUTTER 5/16-24 / HEXAGON NUT / ECROU HEXAGONAL	6.970-112.0	2
8	SCHEIBE 8 / WASHER / RONDELLE	7.312-277.0	1
9	LENKRAD / STEERING WHEEL / VOLANT	6.970-019.0	1
10	STANGE -LENKUNG / BAR / TIGE	6.970-020.0	1
11	ROHR - LENKUNG / PIPE / TUYAU	6.970-021.0	1
12	6KT-MUTTER 1/4-20 / HEXAGON NUT / ECROU HEXAGONAL	6.970-116.0	1
13	6KT-SCHR. 1/4-20 / HEXAGONAL HEAD SCREW / VIS HEXAGONAL	6.970-117.0	1
14	ROHR - LENKUNG / PIPE / TUYAU	6.970-022.0	1
16	SCHEIBE / WASHER / RONDELLE	6.970-118.0	1
17	AUFLAGER -LENKGETR. / SUPPORT / SUPPORT	6.970-023.0	1
18	6KT-MUTTER 5/16"-18 / HEXAGON NUT / ECROU HEXAGONAL	6.310-075.0	6
19	FEDERRING B 8 / SPRING WASHER / RONDELLE GROWER	7.313-004.0	7
20	SCHRAUBE / SCREW / VIS	6.304-047.0	2
21	6KT-SCHR. 3/8-24 / HEXAGONAL HEAD SCREW / VIS HEXAGONAL	6.970-119.0	1
22	SCHEIBE 10 / WASHER / RONDELLE	7.312-005.0	3
23	BUNDBUCHSE / BUSHING / DOUILLE	6.970-120.0	1
24	6KT-MUTTER 3/8-24 / HEXAGON NUT / ECROU HEXAGONAL	6.970-121.0	3
25	ZAHNSEGMENT -LENK. / RACK SEGMENT / SEGMENTAIRE PAR ENGRENAGE	6.970-024.0	1
26	6KT-MUTTER 3/8-24 / HEXAGON NUT / ECROU HEXAGONAL	6.970-122.0	1
27	ZAHNRAD / GEAR WHEEL / ROUE DENTEE	6.970-301.0	1
28	SCHEIBE 12 / WASHER / RONDELLE	7.312-008.0	3
31	SCHEIBE 10 / WASHER / RONDELLE	7.312-262.0	2
32	RINGSCHRAUBE M8X 60 / EYE SCREW / VIS	6.303-068.0	2
33	BOLZEN -NYLON / BOLT / BOULON	6.970-149.0	2
34	6KT MUTTER 1/2-13 / HEXAGON / HEXAGONAL	6.970-150.0	2

"=> xxxxxx" = bis Werknummer / up to serial No. / jusqu' au No. de fabr. / "xxxxxx =>" = ab Werknummer / from serial No. / a partir du No. de fabr. /

GRUPPE: 2.2 ACHSE
GROUP: 2.2 AXLE
GRUPPE: 2.2 ESSIEU

D2

KMR-TRAC



Symbolbeschreibung siehe M16 / symbol description see M16 / désignation de système voir M16 /

GRUPPE: 2.2 ACHSE
GROUP: 2.2 AXLE
GROUPE: 2.2 ESSIEU

E2

KMR-TRAC

POS. ITM. POS.	BENNENUNG DESCRIPTION DESIGNATION	TEILE-NR. PART-NO. NO.PIECE	STCK QTY. NBR.
1	PEDAL -BAUGRUPPE / PEDAL / PEDALE	6.970-026.0	1
2	6KT-SCHR. 5/16-18 / HEXAGONAL HEAD SCREW / VIS HEXAGONAL	6.970-124.0	4
3	FEDERRING B 8 / SPRING WASHER / RONDELLE GROWER	7.313-004.0	5
4	6KT-MUTTER 5/16"-18 / HEXAGON NUT / ECROU HEXAGONAL	6.310-075.0	5
5	LAGERBOCK / BEARING BLOCK / SELLE D'APPUI	6.970-182.0	2
6	6KT-SCHR. 1/4X0.62 / HEXAGONAL HEAD SCREW / VIS HEXAGONAL	6.970-126.0	4
7	STUETZE -BLECH / STAY / SUPPORT	6.970-028.0	1
9	STUETZE -BLECH / STAY / SUPPORT	6.970-029.0	1
10	TRAEGER / CARRIER / LONGERON	6.970-181.0	1
11	SPLINT 3,2X 32 / COTTER / GOUPILLE FENDUE	7.316-345.0	4
12	SCHEIBE 17 / WASHER / RONDELLE	7.312-154.0	4
13	FLANSCHLAGER / FLANGED BEARING / FLASQUE-BRIDE	6.970-017.0	4
15	ABDECKUNG -LENKUNG / COVER / CHAPEAU	6.970-031.0	1
16	FEDERRING B 10 / SPRING WASHER / RONDELLE GROWER	7.313-005.0	2
17	6KT-MUTTER 3/8-24 / HEXAGON NUT / ECROU HEXAGONAL	6.970-121.0	2
18	KUGELGELENK / GLOBE JOINT / ROTULE	6.970-032.0	2
19	SPURSTANGE / STEERING TRACK ROD / BARRE D#ACOUPLEMENT	6.970-033.0	2
20	ACHSE -VORDERRAD RE / AXLE / ESSIEU	6.970-034.0	1
21	SCHEIBE 10 / WASHER / RONDELLE	7.312-005.0	2
22	SPLINT 3,2X 25 / COTTER / GOUPILLE FENDUE	7.316-347.0	2
23	BUNDBUCHSE / BUSHING / DOUILLE	6.970-035.0	4
24	VENTIL / VALVE / SOUPAPE	6.970-061.0	2
25	SCHEIBE 0.64"X1.5" / WASHER / RONDELLE	6.970-114.0	2
26	KAPPE / CAP / CAPUCHON	6.970-036.0	2
27	ACHSE -VORDERRAD LI / AXLE / ESSIEU	6.970-037.0	1
28	RAD KPL. VORNE / WHEEL / ROUE	6.970-197.0	2
30	6KT-SCHRAUBE / HEXAGONAL HEAD SCREW / VIS HEXAGONAL	6.304-068.0	1
31	SCHELLE / CLAMP / COLLIER	6.970-148.0	3
33	REIFEN VORNE / TIRE / PNEUS	6.970-154.0	2
34	SCHLAUCH 11X4.00X5 / HOSE / TUYAU FLEXIBLE	6.970-176.0	2
35	SCHEIBE 10 / WASHER / RONDELLE	7.312-285.0	2
36	6KT-MUTTER 3/8-16 / HEXAGON NUT / ECROU HEXAGONAL	6.970-133.0	2
37	SCHRAUBE / SCREW / VIS	6.970-195.0	2
38	VENTIL / VALVE / SOUPAPE	6.412-709.0	2
39	VENTILKAPPE / VALVE CAP / CAPUCHON DE VALVE	6.412-710.0	2

"=> xxxxxx" = bis Werknummer / up to serial No. / jusqu' au No. de fabr. / "xxxxxx =>" = ab Werknummer / from serial No. / a partir du No. de fabr. /

GRUPPE: 3.0 SITZ
GROUP: 3.0 SEAT
GRUPPE: 3.0 SIEGE

A3

KMR-TRAC

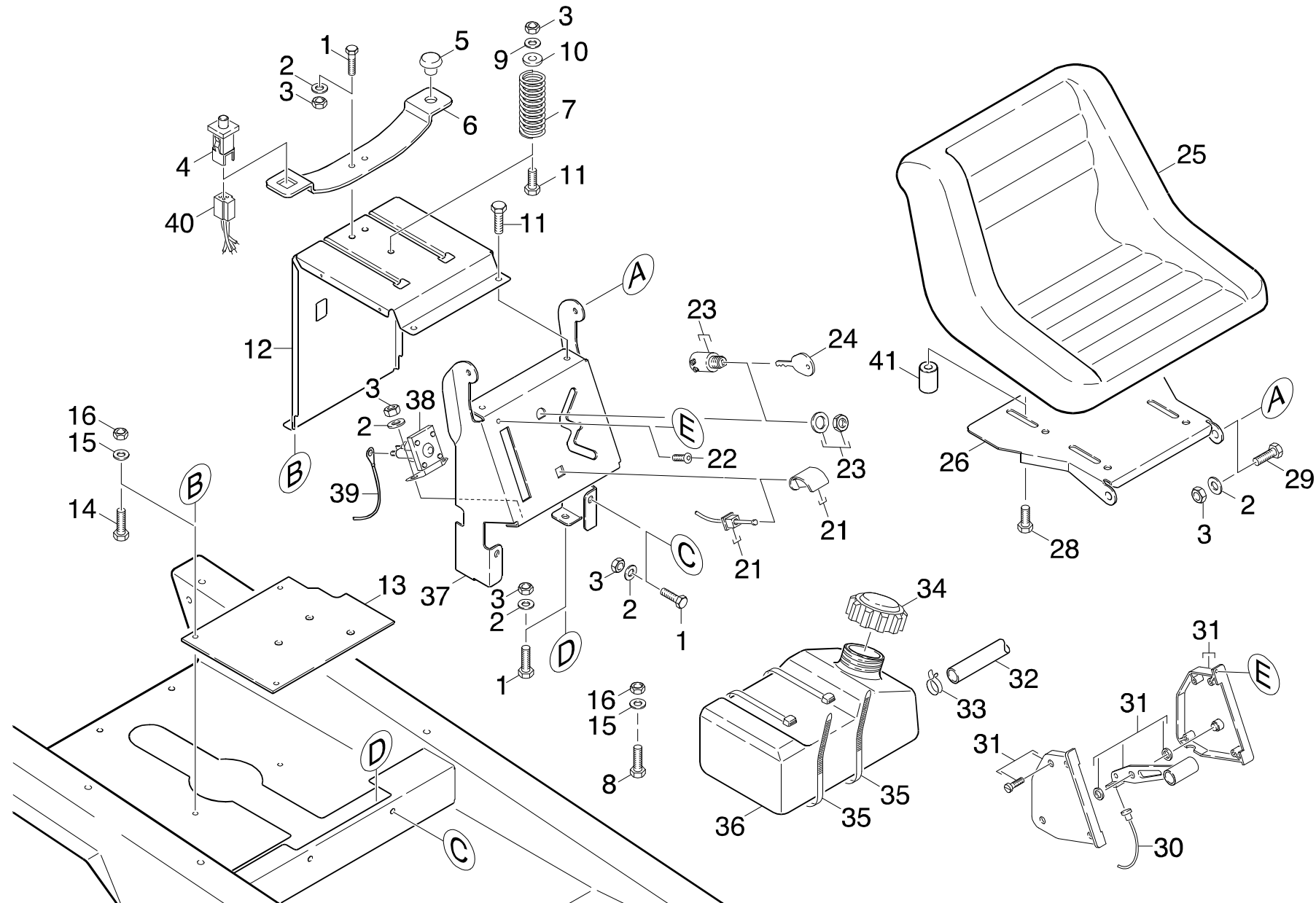
GRUPPE: 3.0 SITZ
GROUP: 3.0 SEAT
GRUPPE: 3.0 SIEGE

Ersatzteile unter www.gluesing.net

GRUPPE: 3.0 SITZ
GROUP: 3.0 SEAT
GRUPPE: 3.0 SIEGE

B3

KMR-TRAC



Symbolbeschreibung siehe M16 / symbol description see M16 / désignation de système voir M16 /

GRUPPE: 3.0 SITZ
 GROUP: 3.0 SEAT
 GROUPE: 3.0 SIEGE

C3

KMR-TRAC

POS. ITM. POS.	BENNENNUNG DESCRIPTION DESIGNATION	TEILE-NR. PART-NO. NO.PIECE	STCK QTY. NBR.	POS. ITM. POS.	BENNENNUNG DESCRIPTION DESIGNATION	TEILE-NR. PART-NO. NO.PIECE	STCK QTY. NBR.
1	6KT-SCHRAUBE / HEXAGONAL HEAD SCREW / VIS HEXAGONAL	6.304-068.0	6	41	HUELSE DISTANZ- / SLEEVE / DOUILLE	5.110-513.0	4
2	SCHEIBE 8 / WASHER / RONDELLE	7.312-004.0	8				
3	6KT-MUTTER 5/16"-18 / HEXAGON NUT / ECROU HEXAGONAL	6.310-075.0	9				
4	SCHALTER -SITZ / SWITCH / INTERRUPTEUR	6.970-038.0	1				
5	STOPFEN / PLUG / BOUCHON	6.970-039.0	1				
6	BIEGEFEDER -SITZ / SPIRAL SPRING / RESSORT SPIRAL	6.970-040.0	1				
7	FEDER / SPRING / RESSORT	6.970-041.0	1				
8	SCHRAUBE 1/4-20 UNC / SCREW / VIS	6.304-109.0	2				
9	SCHEIBE / WASHER / RONDELLE	5.115-271.0	1				
10	BUCHSE -GUMMI / BUSH / DOUILLE	6.970-127.0	1				
11	6KT-SCHR. 5/16-18 / HEXAGONAL HEAD SCREW / VIS HEXAGONAL	6.970-124.0	3				
12	TRAEGER -SITZ HINT. / CARRIER / LONGERON	6.970-042.0	1				
13	PLATTE / PLATE / PLAQUE	6.970-043.0	1				
14	6KT-SCHR. 1/4-20 / HEXAGONAL HEAD SCREW / VIS HEXAGONAL	6.970-117.0	2				
15	FEDERRING B 6 / SPRING WASHER / RONDELLE GROWER	7.313-003.0	4				
16	6KT-MUTTER 1/4-20 / HEXAGON NUT / ECROU HEXAGONAL	6.970-116.0	4				
21	CHOKE / CHOKE / ETRANGLEUR	6.970-044.0	1				
22	BL.SCHR. ST4,8X16 / SHEET METAL SCREW / VIS A TOLE	7.303-077.0	1				
23	ZUENDSCHLOSS / IGNITION LOCK / SERRURE DE CONTACT	6.970-045.0	1				
24	ZUENDSCHLUESSEL / IGNITION KEY / CLE DE CONTACT	6.970-046.0	2				
25	SITZ / SEAT / SIEGE	6.970-047.0	1				
26	PLATTE -SITZ / PLATE / PLAQUE	6.970-048.0	1				
28	6KT-SCHR. 3/8-16UNC / HEXAGONAL HEAD SCREW / VIS HEXAGONAL	6.304-124.0	4				
29	GEWINDEBOLZEN / PIN / BOULON TARAUDE	6.970-129.0	2				
30	GASZUG / CARBURATOR CONTROL CABLE / CABLE	6.970-049.0	1				
31	GASHEBEL / LEVER / LEVIER	6.970-050.0	1				
32	LEITUNG -BENZIN / CABLE / CABLE D'ALIMENTAT.	6.970-051.0	1				
33	SCHLAUCHSCHELLE / HOSE BAND CLIP / COLLIER DE SERRAGE	6.388-544.0	1				
34	TANKDECKEL / CAP OF A TANK / BOUCHON DE RESERVOIR	6.970-052.0	1				
35	KABELBINDER / TIE BAND / SERRE-CABLE	6.970-053.0	2				
36	BENZINTANK / PETROL TANK / RESERVOIR ESSENCE	6.970-054.0	1				
37	TRAEGER -SITZ VO. / CARRIER / LONGERON	6.970-006.0	1				
38	STARTRELAIS / RELAY / RELAIS	6.970-172.0	1				
39	KABEL RELAIS-ANLASS / CABLE / CABLE	6.970-173.0	1				
40	KABELBAUM / CABLE TREE / HARNAIS DE CABLES	6.970-055.0	1				

"=> xxxxxx" = bis Werknummer / up to serial No. / jusqu' au No. de fabr. / "xxxxxx =>" = ab Werknummer / from serial No. / a partir du No. de fabr. /

GRUPPE: 4.0 FAHRWERK
GROUP: 4.0 RUNNING GEAR
GRUPPE: 4.0 MECANISME D'ROULEMENT

A4

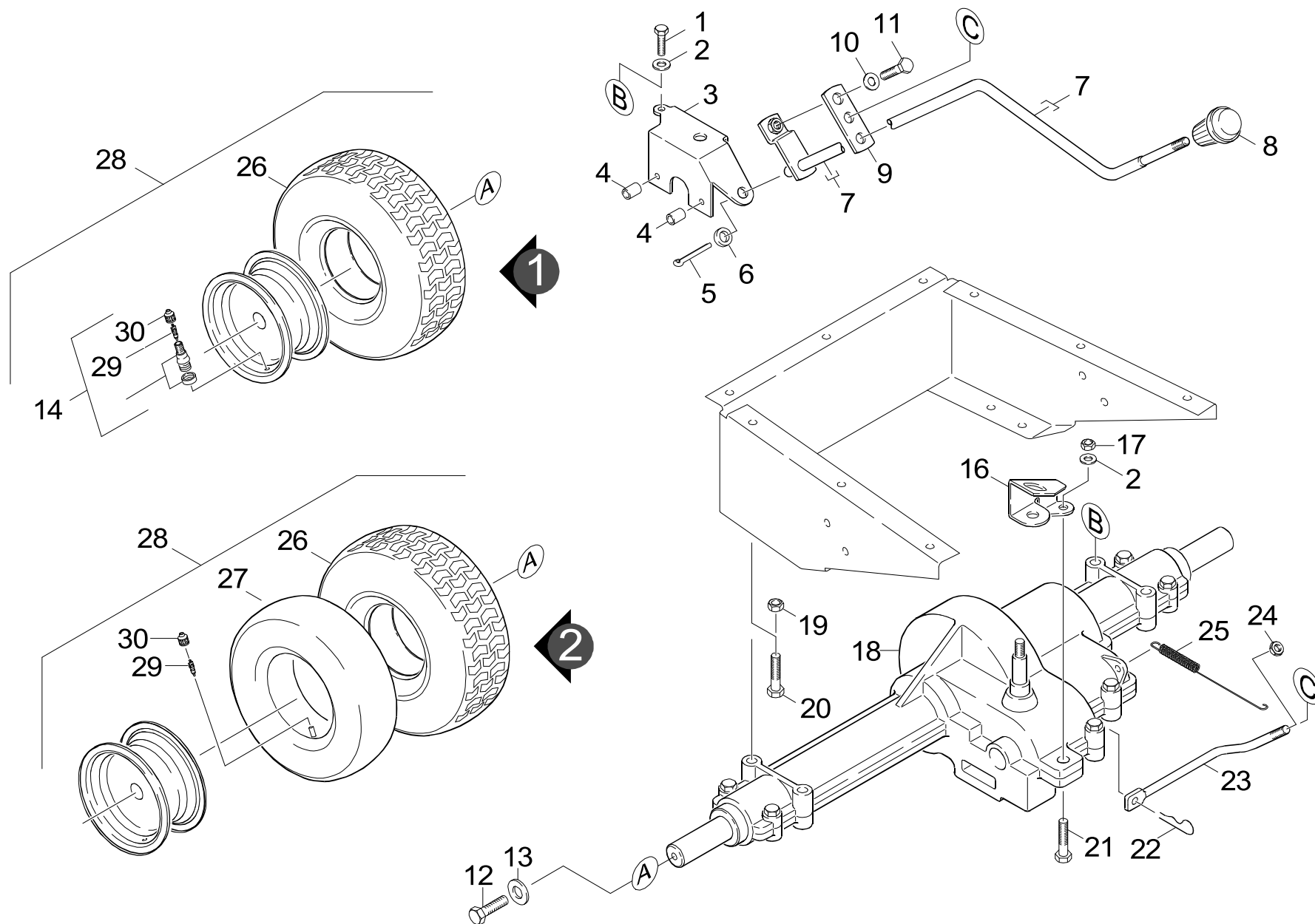
KMR-TRAC

GRUPPE: 4.0 FAHRWERK
GROUP: 4.0 RUNNING GEAR
GRUPPE: 4.0 MECANISME D'ROULEMENT

GRUPPE: 4.1 ACHSE
GROUP: 4.1 AXLE
GRUPPE: 4.1 ESSIEU

B4

KMR-TRAC



Symbolbeschreibung siehe M16 / symbol description see M16 / désignation de système voir M16 /

GRUPPE: 4.1 ACHSE
GROUP: 4.1 AXLE
GROUPE: 4.1 ESSIEU

C4

KMR-TRAC

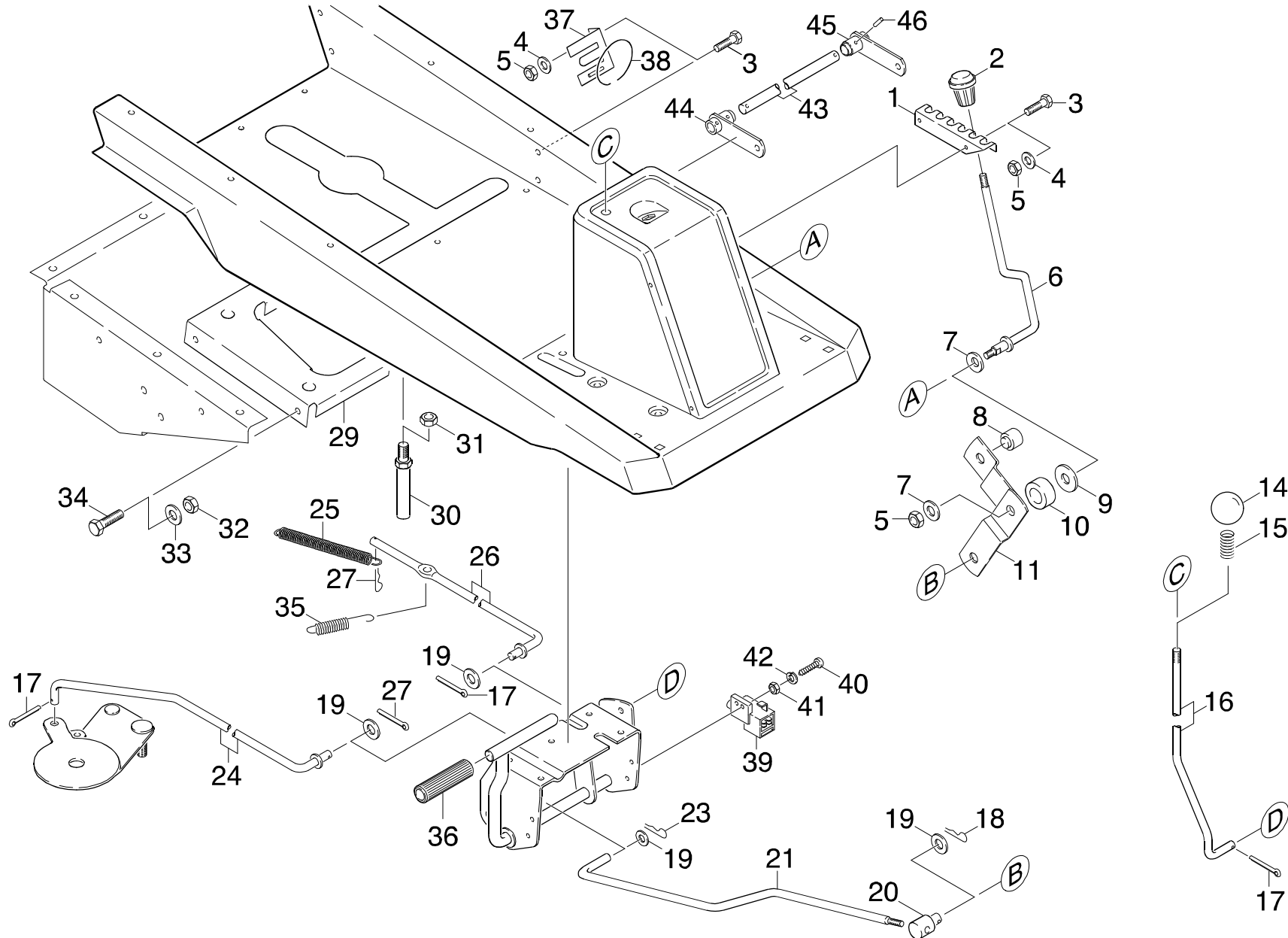
POS. ITM. POS.	BENNENUNG DESCRIPTION DESIGNATION	TEILE-NR. PART-NO. NO.PIECE	STCK QTY. NBR.
1	6KT-SCHR. 1/4-20 / HEXAGONAL HEAD SCREW / VIS HEXAGONAL	6.970-117.0	1
2	FEDERRING B 6 / SPRING WASHER / RONDELLE GROWER	7.313-003.0	1
3	TRAEGER -SCHALTHEB. / CARRIER / LONGERON	6.970-056.0	1
4	DISTANZHUELSE / SPACER SLEEVE / ENTRETOISE	6.970-057.0	2
5	SPLINT 2,0X 20 / COTTER / GOUPILLE FENDUE	7.316-333.0	1
6	SCHEIBE 12 / WASHER / RONDELLE	7.312-008.0	1
7	SCHALTHEBEL / SWITCH LEVER / LEVIER DE COMMUTATEUR	6.970-058.0	1
8	KNOPF / BUTTON / BOUTON	6.970-059.0	1
9	BLECH / PLATE / TOLE	6.970-060.0	1
10	SCHEIBE 6 / WASHER / RONDELLE	7.312-260.0	1
11	6KT-SCHR. 1/4-20 / HEXAGONAL HEAD SCREW / VIS HEXAGONAL	6.970-123.0	1
12	SCHRAUBE 5/16-24UNF / SCREW / VIS	6.304-033.0	2
13	SCHEIBE 8 / WASHER / RONDELLE	7.312-277.0	2
14	VENTIL / VALVE / SOUPAPE	6.970-061.0	2
16	WINKEL / ANGLE / ANGLE	6.970-063.0	1
17	6KT-MUTTER 1/4-20 / HEXAGON NUT / ECROU HEXAGONAL	6.970-116.0	1
18	DIFFERENTIALACHSE / DIFFERENTIAL AXLE / ESSIEU DE DIFFERENTIEL	6.970-064.0	1
19	6KT-MUTTER 5/16"-18 / HEXAGON NUT / ECROU HEXAGONAL	6.310-075.0	4
20	6KT SCHR. 5/16-18 / HEXAGON / HEXAGONAL	6.970-130.0	4
21	6KT SCHR. 1/4-20 / HEXAGON / HEXAGONAL	6.970-131.0	1
22	FEDERSTECKER 3,2 / SPRING CLIP / FICHE ELECTRIQUE	7.316-450.0	1
23	STANGE -SCHALTUNG / BAR / TIGE	6.970-065.0	1
24	SICHERUNGSSCHEIBE / LOCK WASHER / RONDELLE D'ARRET	6.343-119.0	1
25	FEDER / SPRING / RESSORT	6.970-145.0	1
26	REIFEN HINTEN / TIRE / PNEUS	6.970-144.0	2
27	SCHLAUCH 16X6.50X8 / HOSE / TUYAU FLEXIBLE	6.970-175.0	2
28	RAD KPL. HINTEN / WHEEL / ROUE	6.970-196.0	2
29	VENTIL / VALVE / SOUPAPE	6.412-709.0	2
30	VENTILKAPPE / VALVE CAP / CAPUCHON DE VALVE	6.412-710.0	2

"=> xxxxxx" = bis Werknummer / up to serial No. / jusqu' au No. de fabr. / "xxxxxx =>" = ab Werknummer / from serial No. / a partir du No. de fabr. /

GRUPPE: 4.2 GESTAENGE
GROUP: 4.2 LEVERAGE
GRUPPE: 4.2 TRINGLES

D4

KMR-TRAC



Symbolbeschreibung siehe M16 / symbol description see M16 / désignation de système voir M16 /

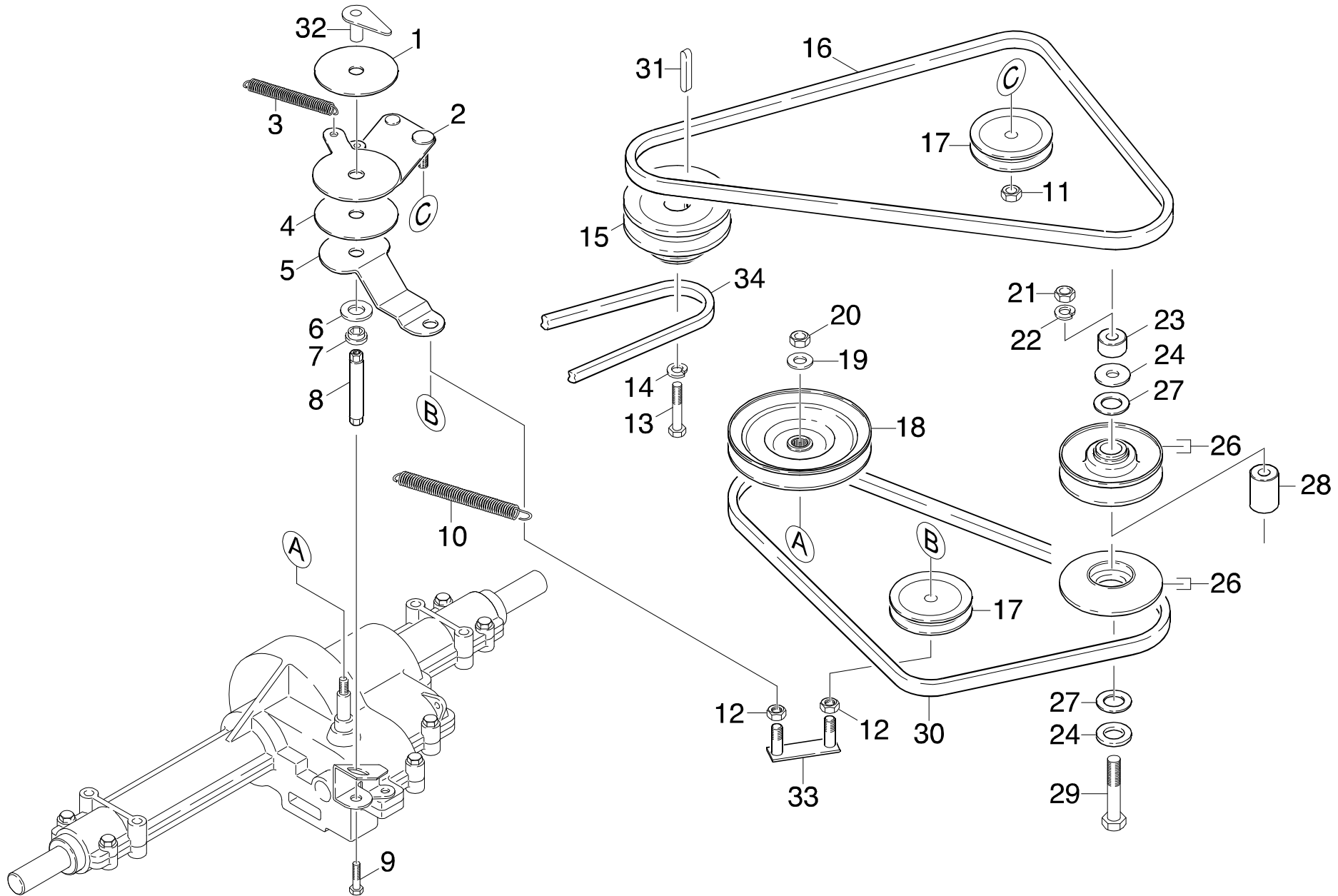
GRUPPE: 4.2 GESTAENGE
 GROUP: 4.2 LEVERAGE
 GROUPE: 4.2 TRINGLES

E4

KMR-TRAC

POS. ITM. POS.	BENNENNUNG DESCRIPTION DESIGNATION	TEILE-NR. PART-NO. NO.PIECE	STCK QTY. NBR.	POS. ITM. POS.	BENNENNUNG DESCRIPTION DESIGNATION	TEILE-NR. PART-NO. NO.PIECE	STCK QTY. NBR.
1	WINKEL -FAHRSTUFE / ANGLE / ANGLE	6.970-066.0	1	42	FEDERRING B 5 / SPRING WASHER / RONDELLE GROWER	7.313-002.0	2
2	KNOPF / BUTTON / BOUTON	6.970-059.0	1	43	STANGE / BAR / TIGE	6.970-159.0	1
3	6KT-SCHRAUBE / HEXAGONAL HEAD SCREW / VIS HEXAGONAL	6.304-068.0	4	44	HEBEL -RECHTS / LEVER / LEVIER	6.970-160.0	1
4	FEDERRING B 8 / SPRING WASHER / RONDELLE GROWER	7.313-004.0	4	45	HEBEL -LINKS / LEVER / LEVIER	6.970-161.0	1
5	6KT-MUTTER 5/16"-18 / HEXAGON NUT / ECROU HEXAGONAL	6.310-075.0	5	46	SPANNSTIFT / PIN / GOUPILLE DE SERRAGE	6.970-162.0	1
6	STANGE -FAHRGESCHW. / BAR / TIGE	6.970-067.0	1				
7	SCHEIBE 8 / WASHER / RONDELLE	7.312-277.0	2				
8	KAPPE / CAP / CAPUCHON	6.970-068.0	1				
9	SCHEIBE 0.531X1.25 / WASHER / RONDELLE	6.970-132.0	1				
10	GUMMISCHEIBE / RUBBER DISC / DISQUE CAOUTCHOUC	6.970-069.0	1				
11	HEBEL -FAHRGESCHW. / LEVER / LEVIER	6.970-070.0	1				
14	KNOPF / BUTTON / BOUTON	6.970-071.0	1				
15	FEDER / SPRING / RESSORT	6.970-072.0	1				
16	STANGE -BREMSE / BAR / TIGE	6.970-073.0	1				
17	SPLINT 2,0X 20 / COTTER / GOUPILLE FENDUE	7.316-333.0	3				
18	SPLINT 2,0X 22 / COTTER / GOUPILLE FENDUE	7.316-334.0	1				
19	SCHEIBE 8 / WASHER / RONDELLE	7.312-004.0	4				
20	BOLZEN / BOLT / BOULON	6.970-074.0	1				
21	STANGE / BAR / TIGE	6.970-075.0	1				
23	FEDERSTECKER 5/16" / SPRING CLIP / FICHE ELECTRIQUE	6.970-143.0	1				
24	STANGE -KUPPLUNG / BAR / TIGE	6.970-076.0	1				
25	FEDER / SPRING / RESSORT	6.970-077.0	1				
26	STANGE -BREMSE / BAR / TIGE	6.970-078.0	1				
27	SPLINT 3,2X 32 / COTTER / GOUPILLE FENDUE	7.316-345.0	2				
29	RIEMENSCHUTZ / BELT PROTECTION / PROTECTION DE COURROIE	6.970-079.0	1				
30	BOLZEN -RIEMENSCH. / BOLT / BOULON	6.970-080.0	1				
31	6KT-MUTTER 3/8-16 / HEXAGON NUT / ECROU HEXAGONAL	6.970-133.0	1				
32	6KT-MUTTER 1/4-20 / HEXAGON NUT / ECROU HEXAGONAL	6.970-116.0	4				
33	FEDERRING B 6 / SPRING WASHER / RONDELLE GROWER	7.313-003.0	4				
34	6KT SCHR. 1/4-20X1 / HEXAGON / HEXAGONAL	6.970-134.0	4				
35	FEDER / SPRING / RESSORT	6.970-145.0	1				
36	SCHUTZTEIL / PROTECTION PART / PARTIE PROTECTEUR	6.970-146.0	1				
37	WINKEL / ANGLE / ANGLE	6.970-151.0	1				
38	BIEGEFEDER / SPIRAL SPRING / RESSORT SPIRAL	6.970-152.0	1				
39	SCHALTER -PEDAL / SWITCH / INTERRUPTEUR	6.970-174.0	1				
40	SCHRAUBE DE M5 X 16 / SCREW / VIS	6.303-064.0	2				
41	6KT-MUTTER M 5 / HEXAGON NUT / ECROU HEXAGONAL	7.311-002.0	2				

"=> xxxxxx" = bis Werknummer / up to serial No. / jusqu' au No. de fabr. / "xxxxxx =>" = ab Werknummer / from serial No. / a partir du No. de fabr. /



Symbolbeschreibung siehe M16 / symbol description see M16 / désignation de système voir M16 /

GRUPPE: 4.3 ANTRIEB
 GROUP: 4.3 ACTUATION
 GROUPE: 4.3 ENTRAINEMENT

G4

KMR-TRAC

POS. ITM. POS.	BENNENUNG DESCRIPTION DESIGNATION	TEILE-NR. PART-NO. NO.PIECE	STCK QTY. NBR.
1	DRUCKSCHEIBE / PRESSURE DISC / DISQUE DE PRESSION	6.970-081.0	1
2	HALTER -RIEMENSCH. / BRACKET / FIXATION	6.970-082.0	1
3	FEDER / SPRING / RESSORT	6.970-083.0	1
4	DRUCKSCHEIBE / PRESSURE DISC / DISQUE DE PRESSION	6.970-084.0	1
5	HALTER -RIEMENSCH. / BRACKET / FIXATION	6.970-085.0	1
6	SCHEIBE 0.635X1.24 / WASHER / RONDELLE	6.970-115.0	1
7	BUNDBUCHSE / BUSHING / DOUILLE	6.970-086.0	1
8	WELLE / SHAFT / ARBRE	6.970-087.0	1
9	SCHRAUBE 3/8"-24UNF / SCREW / VIS	6.303-221.0	1
10	FEDER / SPRING / RESSORT	6.970-088.0	1
11	6KT-MUTTER 3/8-24 / HEXAGON NUT / ECROU HEXAGONAL	6.970-121.0	1
12	6KT-MUTTER 3/8-24 / HEXAGON NUT / ECROU HEXAGONAL	6.970-122.0	2
13	6KT SCHR. 7/16-20 / HEXAGON / HEXAGONAL	6.970-135.0	1
14	FEDERRING B 12 / SPRING WASHER / RONDELLE GROWER	7.313-007.0	1
15	RIEMENSCH. -MOT. / PULLEY / POULIE	6.970-089.0	1
16	KEILRIEMEN / LARGE V-BELT / COURROIE TRAPEZOID.	6.970-090.0	1
17	RIEMENSCH. / PULLEY / POULIE	6.970-247.0	2
18	SPANNROLLE / ADJUSTER / GALET TENDEUR	6.970-092.0	1
19	SCHEIBE 14 / WASHER / RONDELLE	7.312-028.0	1
20	6KT MUTTER 9/16-18 / HEXAGON / HEXAGONAL	6.970-136.0	1
21	6KT-MUTTER 3/8-16 / HEXAGON NUT / ECROU HEXAGONAL	6.970-133.0	1
22	FEDERRING B 10 / SPRING WASHER / RONDELLE GROWER	7.313-005.0	1
23	DISTANZBUCHSE / SPACER / ENTRETOISE	6.970-093.0	1
24	SCHEIBE 10 / WASHER / RONDELLE	7.312-285.0	2
26	RIEMENSCH. -VAR. / PULLEY / POULIE	6.970-095.0	1
27	SCHEIBE 0.56X1.25 / WASHER / RONDELLE	6.970-141.0	2
28	DISTANZHUELSE / SPACER SLEEVE / ENTRETOISE	6.970-142.0	1
29	6KT SCHR. 3/8-16 / HEXAGON / HEXAGONAL	6.970-137.0	1
30	KEILRIEMEN / LARGE V-BELT / COURROIE TRAPEZOID.	6.970-138.0	1
31	PASSFEDER 1/4X2 / SPRING / RESSORT D'ADJUSTAGE	6.970-139.0	1
32	HEBEL / LEVER / LEVIER	6.970-140.0	1
33	RIEMENSCHUTZ / BELT PROTECTION / PROTECTION DE COURROIE	6.970-157.0	1
34	KEILRIEMEN XPZ1150 / LARGE V-BELT / COURROIE TRAPEZOID.	6.348-294.0	1

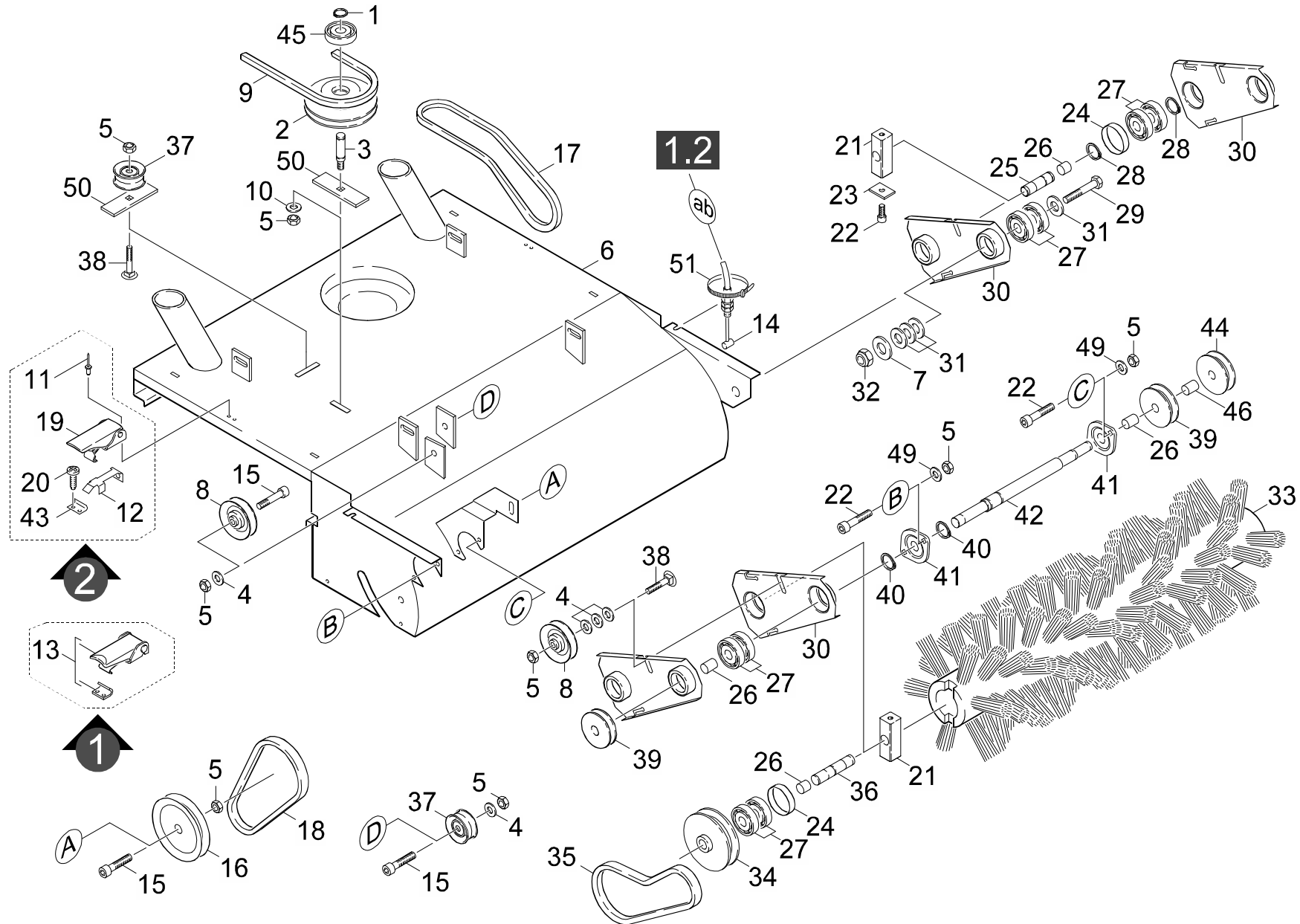
"=> xxxxxx" = bis Werknummer / up to serial No. / jusqu' au No. de fabr. / "xxxxxx =>" = ab Werknummer / from serial No. / a partir du No. de fabr. /

GRUPPE: 5.0 KEHRWALZENKASTEN
GROUP: 5.0 SWEEP ROLLER CHEST
GRUPPE: 5.0 COFFRE DE CYLINDR.BALAYER

A5

KMR-TRAC

GRUPPE: 5.0 KEHRWALZENKASTEN
GROUP: 5.0 SWEEP ROLLER CHEST
GRUPPE: 5.0 COFFRE DE CYLINDR.BALAYER



Symbolbeschreibung siehe M16 / symbol description see M16 / désignation de système voir M16 /

GRUPPE: 5.1 KEHRWALZE
 GROUP: 5.1 REVERSING ROLLING MILL
 GROUPE: 5.1 TAMBOUR

C5

KMR-TRAC

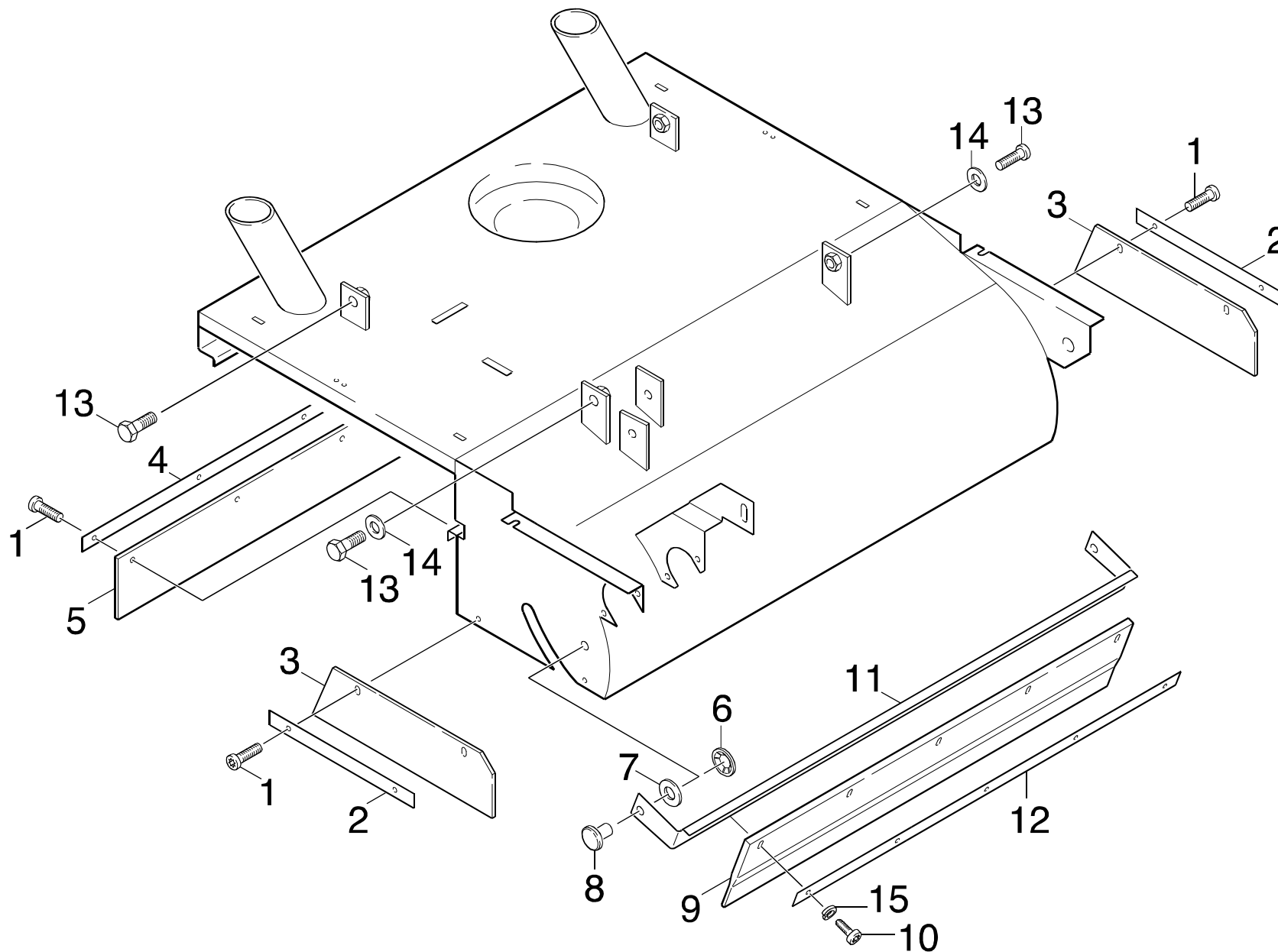
POS. ITM. POS.	BENNENNUNG DESCRIPTION DESIGNATION	TEILE-NR. PART-NO. NO.PIECE	STCK QTY. NBR.	POS. ITM. POS.	BENNENNUNG DESCRIPTION DESIGNATION	TEILE-NR. PART-NO. NO.PIECE	STCK QTY. NBR.
1	S-RING 12X1 / SPRING CLIP / CIRCLIP	7.343-003.0	1	29	6KT-SCHR. M16X 50 / HEXAGONAL HEAD SCREW / VIS HEXAGONAL	7.304-452.0	1
2	RIEMENSCHLEIBE / PULLEY / POULIE	5.625-284.0	1	30	SCHWINGE / LEVER / AICE	5.046-974.0	4
3	ACHSE / AXLE / ESSIEU	5.105-220.0	1	31	SCHEIBE 16 / WASHER / RONDELLE	7.312-142.0	4
4	SCHEIBE 8 / WASHER / RONDELLE	7.312-004.0	6	32	6KT-MUTTER M16 / HEXAGON NUT / ECROU HEXAGONAL	7.311-426.0	1
5	6KT-MUTTER M 8 / HEXAGON NUT / ECROU HEXAGONAL	7.311-004.0	12	33	KEHRWALZE PROFIL / REVERSING ROLLING MILL / TAMBOUR	6.906-028.0	1
6	KEHRWALZENKASTEN / SWEEP ROLLER CHEST / COFFRE DE CYLINDR.BALAYER	4.038-454.0	1	34	RIEMENSCHLEIBE / PULLEY / POULIE	5.625-280.0	1
7	SCHEIBE 16 / WASHER / RONDELLE	7.312-019.0	1	35	KEILRIEMEN XPZ587LD / LARGE V-BELT / COURROIE TRAPEZOID.	6.348-292.0	1
8	UMLENKROLLE / DEFLECTION PULLEY / POULIE	6.348-297.0	2	36	WELLE RECHTS / SHAFT / ARBRE	5.100-188.0	1
9	KEILRIEMEN XPZ1150 / LARGE V-BELT / COURROIE TRAPEZOID.	6.348-294.0	1	37	UMLENKROLLE / DEFLECTION PULLEY / POULIE	6.348-276.0	2
10	SCHEIBE 8 / WASHER / RONDELLE	7.312-261.0	1	38	FL.RD.SCHR. M 8X 40 / SAUCER-HEAD SCREW / BOULON A TETE BOMBEE	7.303-186.0	2
11	BLINDNIET 4,0 / BLIND RIVET / RIVET AVEUGLE	6.315-023.0	4	39	RIEMENSCHLEIBE / PULLEY / POULIE	5.625-281.0	2
12	BLATTFEDER / PLATE SPRING / RESSORT A LAMES 12368 =>	5.337-032.0	2	40	S-RING A 20X 1,2 / SPRING CLIP / CIRCLIP	7.343-040.0	2
13	SPANNVERSCHLUSS / LOCK / MANDRIN / => 12367	6.375-223.0	2	41	FLANSCHLAGER / FLANGED BEARING / FLASQUE-BRIDE	6.401-231.0	2
14	BOWDENZUG KPL. / BOWDEN WIRE / CABLE SOUS GAINIE FETT-SPRAY FUER BOWDENZUG DOSE 400 ML 6.288-107/GREASE SPRAY FOR BOWDEN WIRE 400 ML TIN 6.288-107/GRAISSE POUR CABLE SOUS GAINIE 400 ML BOITE 6.288-107	6.431-129.0	2	42	WELLE / SHAFT / ARBRE	5.100-190.0	1
15	ZYL.SCHR. M 8X 35 / CHEESE HEAD SCREW / VIS A TETE CYLINDR.	7.306-044.0	3	43	GEGENHAKEN / HOOK / PATERE 12368 =>	6.375-265.0	2
16	UMLENKROLLE / DEFLECTION PULLEY / POULIE	6.348-278.0	1	44	RIEMENSCHLEIBE / PULLEY / POULIE	5.625-282.0	1
17	KEILRIEMEN XPZ980LW / LARGE V-BELT / COURROIE TRAPEZOID.	6.348-293.0	1	45	KUGELLAGER 6001-2RS / BALL BEARING / ROULEMENT A BILLE	7.401-111.0	1
18	RUNDRIEMEN / BELT / COURROIE RONDE	6.348-291.0	1	46	TOLERANZRING BN15 / TOLERANCE RING / BAGUE	6.343-195.0	1
19	SPANNVERSCHLUSS / LOCK / MANDRIN 12368 =>	6.375-257.0	2	49	FEDERRING B 8 / SPRING WASHER / RONDELLE GROWER	7.313-004.0	4
20	BL.SCHR. ST3,5X 9,5 / SHEET METAL SCREW / VIS A TOLE	7.303-361.0	4	50	LASCHE / RETAINER CLIP / ECLISSE	5.004-788.0	2
21	STAB / ROD / TIGE	5.027-172.0	2	51	KABELBAND / CABLE TIE / PROTECT. DE CABLE	6.641-463.0	1
22	ZYL.SCHR. M 8X 20 / CHEESE HEAD SCREW / VIS A TETE CYLINDR.	7.306-041.0	8				
23	BLECH / PLATE / TOLE	5.001-536.0	4				
24	TOLERANZRING / TOLERANCE RING / BAGUE	6.343-203.0	4				
25	WELLE LINKS / SHAFT / ARBRE	5.100-189.0	1				
26	TOLERANZRING / TOLERANCE RING / BAGUE	6.343-200.0	5				
27	KUGELLAG. 16003-2Z / BALL BEARING / ROULEMENT A BILLE	7.401-139.0	8				
28	S-RING 17X1 / SPRING CLIP / CIRCLIP	7.343-006.0	3				

"=> xxxxxx" = bis Werknummer / up to serial No. / jusqu' au No. de fabr. / "xxxxxx =>" = ab Werknummer / from serial No. / a partir du No. de fabr. /

GRUPPE: 5.2 KEHRWALZENKASTEN
GROUP: 5.2 SWEEP ROLLER CHEST
GRUPPE: 5.2 COFFRE DE CYLINDR.BALAYER

D5

KMR-TRAC



Symbolbeschreibung siehe M16 / symbol description see M16 / désignation de système voir M16 /

GRUPPE: 5.2 KEHRWALZENKASTEN
GROUP: 5.2 SWEEP ROLLER CHEST
GROUPE: 5.2 COFFRE DE CYLINDR.BALAYER

E5

KMR-TRAC

POS.	BENNENUNG	TEILE-NR.	STCK
ITM.	DESCRIPTION	PART-NO.	QTY.
POS.	DESIGNATION	NO.PIECE	NBR.
1	SCHRAUBE M 5X 12 / SCREW / VIS	7.303-038.0	9
2	LEISTE / STRIP / BAGUETTE	5.190-054.0	2
3	SCHUERZE / APRON / TABLIER	5.394-390.0	2
4	LEISTE / STRIP / BAGUETTE	5.190-055.0	1
5	SCHUERZE / APRON / TABLIER	5.394-391.0	1
6	SCHNELLBEFESTIGER / QUICK-FASTENER / ATTACHE RAPIDE	6.343-149.0	2
7	SCHEIBE 10 / WASHER / RONDELLE	7.312-074.0	2
8	BOLZEN / BOLT / BOULON	5.316-320.0	2
9	SCHUERZE / APRON / TABLIER	5.394-392.0	1
10	SCHNEIDSCHR. M5X 20 / SELF-TAPPING SCREW / VIS AUTOTARAUEUSE	6.303-076.0	5
11	BLECHTEIL / PLATE / TOLE	5.047-028.0	1
12	BLECHTEIL / PLATE / TOLE	5.047-030.0	1
13	SCHRAUBE M 8X 16 / SCREW / VIS	6.303-031.0	4
14	ZAHNSCHEIBE A 8,4 / LOCK WASHER / ROUE PLATE	7.312-159.0	2
15	FEDERRING B 5 / SPRING WASHER / RONDELLE GROWER	7.313-002.0	5

"=> xxxxxx" = bis Werknummer / up to serial No. / jusqu' au No. de fabr. / "xxxxxx =>" = ab Werknummer / from serial No. / a partir du No. de fabr. /

GRUPPE: 6.0 MOTOR EINZELTEILE
GROUP: 6.0 MOTOR
GRUPPE: 6.0 MOTEUR

A6

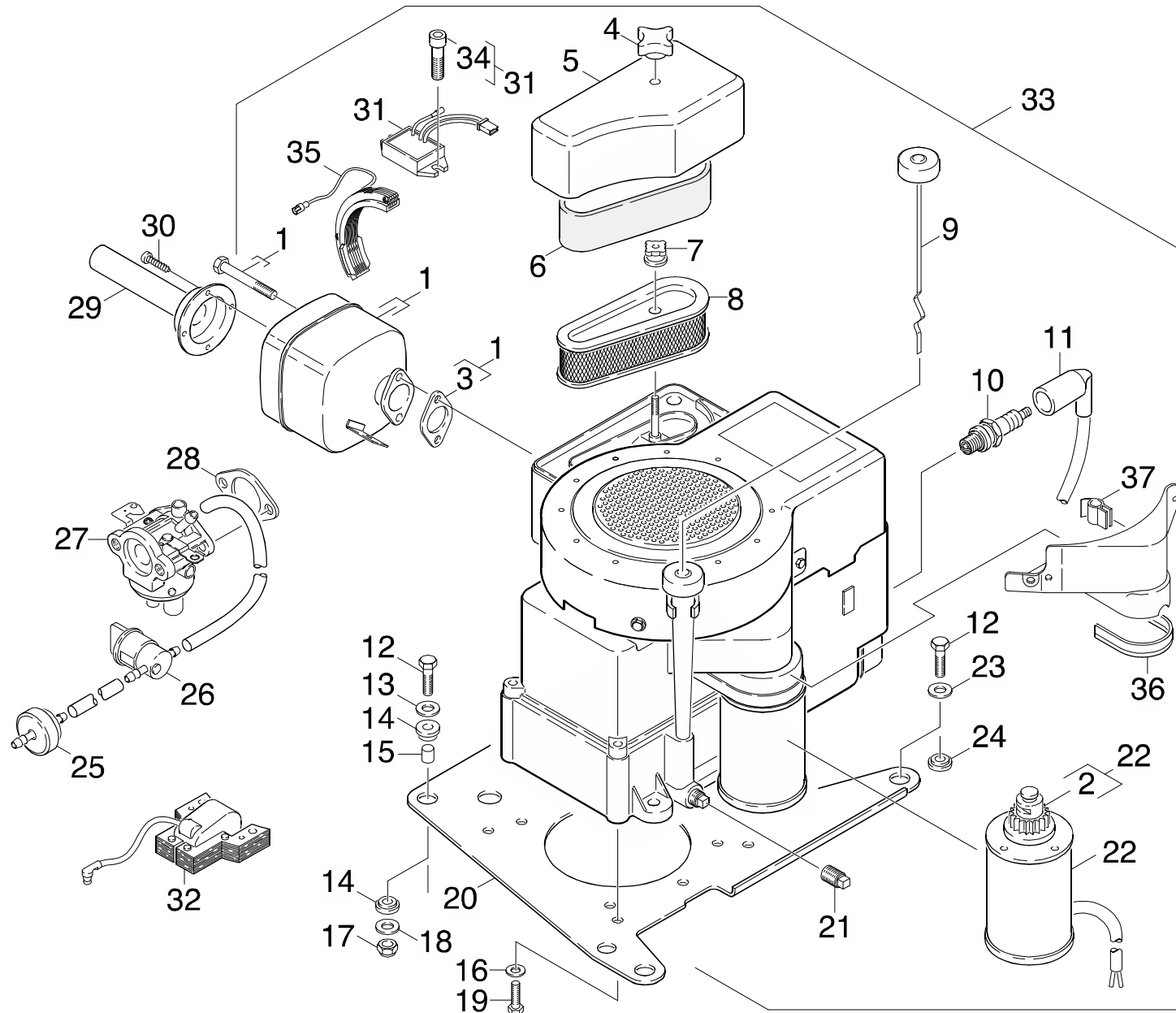
KMR-TRAC

GRUPPE: 6.0 MOTOR EINZELTEILE
GROUP: 6.0 MOTOR
GRUPPE: 6.0 MOTEUR

GRUPPE: 6.0 MOTOR EINZELTEILE
GROUP: 6.0 MOTOR
GRUPPE: 6.0 MOTEUR

B6

KMR-TRAC



Symbolbeschreibung siehe M16 / symbol description see M16 / désignation de système voir M16 /

GRUPPE: 6.0 MOTOR EINZELTEILE
 GROUP: 6.0 MOTOR
 GROUPE: 6.0 MOTEUR

C6

KMR-TRAC

POS. ITM. POS.	BENNENNUNG DESCRIPTION DESIGNATION	TEILE-NR. PART-NO. NO.PIECE	STCK QTY. NBR.	POS. ITM. POS.	BENNENNUNG DESCRIPTION DESIGNATION	TEILE-NR. PART-NO. NO.PIECE	STCK QTY. NBR.
1	AUSPUFFTOPF KPL. / EXHAUST BOX / POT D'ECHAPPEMENT	6.970-165.0	1	34	ZYL.SCHR. M 8X 40 / CHEESE HEAD SCREW / VIS A TETE CYLINDR.	7.306-075.0	1
2	ANLASSERRITZEL / STARTER PINION / PIGNON DE DEMARREUR	6.970-198.0	1	35	LADESPULE KPL / CHARGING COIL / BOBINE DE CHARGEMENT	6.970-177.0	1
3	DICHTUNG / SEAL / BOURRAGE	6.970-096.0	1	NEUE AUSFUEHRUNG/NEW VERSION/VERSION NOUVELLE			
4	KREUZGRIFF M 6 / STAR HANDLE / POIGNEE EN ETOILE	6.310-023.0	1	36	PROFILDICHTUNG / SEAL / ETOUPE PROFILE	6.273-055.0	1
5	GEHAEUSE -LUFTFILT. / HOUSING / BOITIER	6.970-098.0	1	37	DICHTUNGSPROFIL / PROFILED JOINT / JOINT D'ETANCHEITE PROF.	6.365-318.0	1
6	LUFTFILTER / AIR FILTER / FILTRE A AIR	6.970-099.0	1				
7	SCHRAUBKNOPF / SCREW KNOB / BOUTON FILETE	6.970-100.0	1				
8	LUFTFILTEREINSATZ / AIR FILTER ELEMENT / CARTOUCHE FILTRANTE	6.970-101.0	1				
9	OELMESSTAB / OIL DIP ROD / JAUGE NIVEAU D'HUILE	6.970-102.0	1				
10	ZUENDKERZE / IGNITION PLUG / BOUGIE D'ALLUMAGE	6.970-103.0	1				
11	ZUENDKERZENSTECKER / STARK PLUG CONNECTOR / COSSE POUR BOUGIE	6.970-104.0	1				
12	6KT-SCHR. 5/16-24 / HEXAGONAL HEAD SCREW / VIS HEXAGONAL	6.970-113.0	4				
13	SCHEIBE 8 / WASHER / RONDELLE	7.312-261.0	2				
14	TUELLE / RUBBER BUSHING / MANCHON	6.970-105.0	4				
15	BUCHSE / BUSH / DOUILLE	6.970-106.0	2				
16	SCHEIBE 8 / WASHER / RONDELLE	7.312-277.0	4				
17	6KT-MUTTER 5/16-24 / HEXAGON NUT / ECROU HEXAGONAL	6.970-112.0	2				
18	FEDERRING B 8 / SPRING WASHER / RONDELLE GROWER	7.313-004.0	2				
19	SCHRAUBE 3/8"-16UNC / SCREW / VIS	6.304-035.0	4				
20	MOTORPLATTE / MOTOR PLATE / PLAQUE (MOTEUR)	6.970-107.0	1				
21	OELABLASSSCHRAUBE / OIL DRAIN SCREW / BOUCHON VIDANGE HUILE	6.970-108.0	1				
22	ANLASSER / STARTER / DEMARREUR	6.970-110.0	1				
23	SCHEIBE 0.33"x1.25" / WASHER / RONDELLE	6.970-111.0	2				
24	BUNDBUCHSE / BUSHING / DOUILLE	6.970-109.0	2				
25	KRAFTSTOFFFILTER / FUEL FILTER / FILTRE CARBURANT	6.970-155.0	1				
26	KRAFTSTOFFHAHN / FUEL COCK / ROBINET CARBURANT	6.970-156.0	1				
27	VERGASER -KPL. / CARBURETOR / CARBURATEUR	6.970-163.0	1				
28	DICHTUNG -VERGASER / SEAL / BOURRAGE	6.970-164.0	1				
29	DEFLEKTOR / DEFLECTOR / DEFLECTEUR	6.970-166.0	1				
30	BL.SCHR. ST4,8X16 / SHEET METAL SCREW / VIS A TOLE	7.303-077.0	4				
31	LADEREGLER / CONTROL DEVICE / REGULATEUR	6.970-167.0	1				
ALTE AUSFUEHRUNG/OLD VERSION/VERSION ANTERIEURE							
32	ZUENDSPULE / IGNITION COIL / BOBINE D'ALLUMAGE	6.970-168.0	1				
33	BENZINMOTOR 8,5 HP / GASOLINE ENGINE / MOTEUR A ESSENCE	6.970-169.0	1				

"=> xxxxxx" = bis Werknummer / up to serial No. / jusqu' au No. de fabr. / "xxxxxx =>" = ab Werknummer / from serial No. / a partir du No. de fabr. /

GRUPPE: 7.0 SEITENBESEN
GROUP: 7.0 SIDE BROOM
GRUPPE: 7.0 BALAI

A7

KMR-TRAC

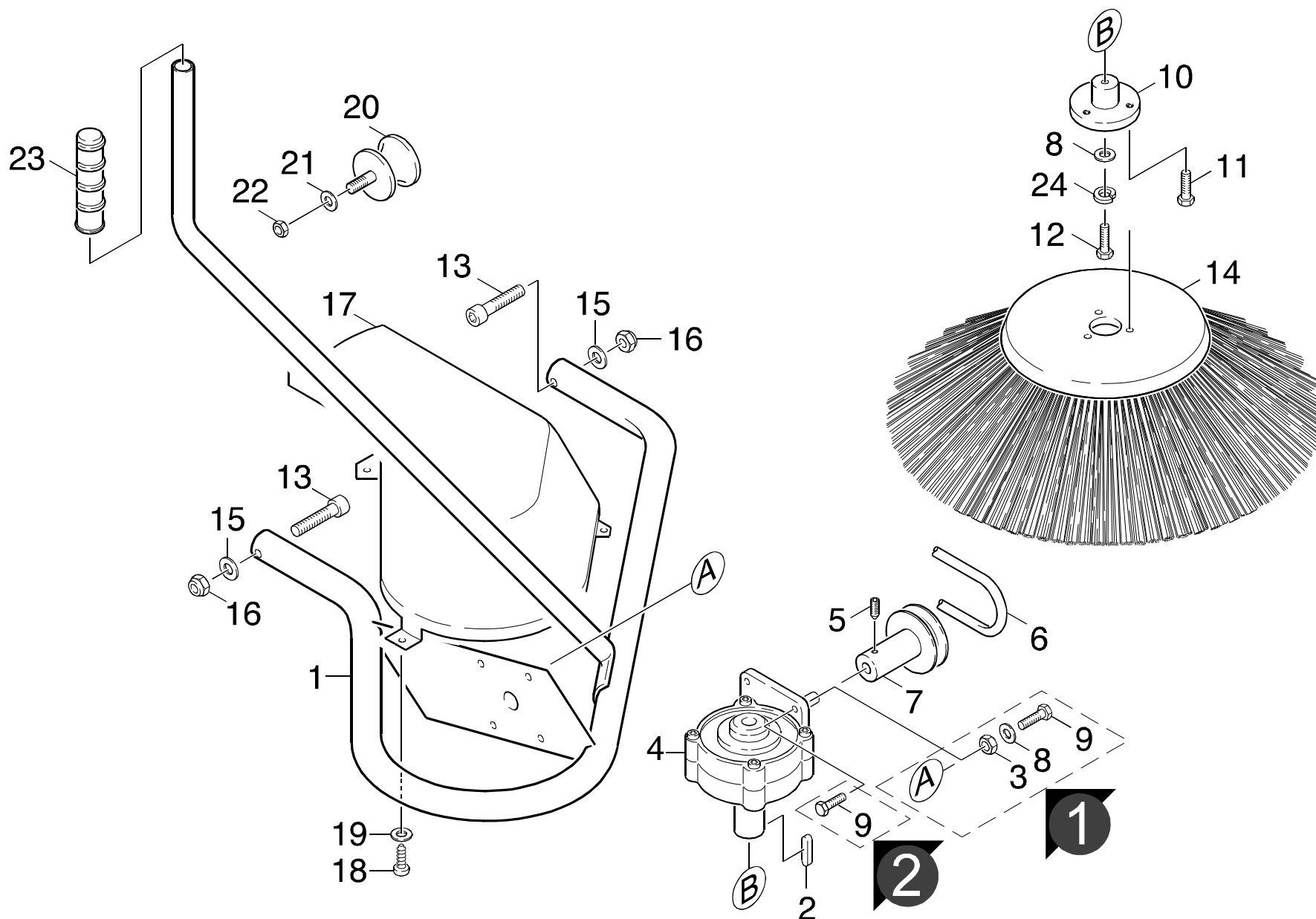
GRUPPE: 7.0 SEITENBESEN
GROUP: 7.0 SIDE BROOM
GRUPPE: 7.0 BALAI

Ersatzteile unter www.gluesing.net

GRUPPE: 7.0 SEITENBESEN
GROUP: 7.0 SIDE BROOM
GRUPPE: 7.0 BALAI

B7

KMR-TRAC



Symbolbeschreibung siehe M16 / symbol description see M16 / désignation de système voir M16 /

GRUPPE: 7.0 SEITENBESEN
GROUP: 7.0 SIDE BROOM
GROUPE: 7.0 BALAI

C7

KMR-TRAC

POS. ITM. POS.	BENNENUNG DESCRIPTION DESIGNATION	TEILE-NR. PART-NO. NO.PIECE	STCK QTY. NBR.
1	SCHUTZROHR KPL. / PROTECTION TUBE / TUBE PROTECTEUR	4.393-023.0	1
2	PASSFEDER 5X 5X 20 / SPRING / RESSORT D'ADJUSTAGE	7.318-070.0	1
3	6KT-MUTTER M 6 / HEXAGON NUT / ECROU HEXAGONAL	7.311-003.0	4
4	SCHNECKENGETRIEBE / WORM GEARING / ENGRENAGE A VIS	6.454-078.0	1
5	GEW.STIFT M 6X 12 / THREADED PIN / VIS SANS TETE	7.307-504.0	1
6	RUNDRIEMEN / BELT / COURROIE RONDE	6.348-291.0	1
7	RIEMENSCHLEIBE / PULLEY / POULIE	5.625-283.0	1
8	SCHEIBE 6 / WASHER / RONDELLE	7.312-003.0	1
9	ZYL.SCHR. M 6X 16 / CHEESE HEAD SCREW / VIS A TETE CYLINDR.	6.303-135.0	4
VERSION 2			
9	SCHRAUBE M 6X 20 / SCREW / VIS	7.306-092.0	4
10	NABE / HUB / MOYEU	5.120-305.0	1
11	ZYL.SCHR. M 6X 12 / CHEESE HEAD SCREW / VIS A TETE CYLINDR.	7.306-500.0	3
12	SCHRAUBE M 6X 16 / SCREW / VIS	7.306-090.0	1
13	ZYL.SCHR. M10X 60 / CHEESE HEAD SCREW / VIS A TETE CYLINDR.	7.306-070.0	2
13	ZYL.SCHR. M10X 55 / CHEESE HEAD SCREW / VIS A TETE CYLINDR.	7.306-172.0	2
14	SEITENBESEN / SIDE BROOM / BALAI	6.905-626.0	1
15	SCHEIBE 10 / WASHER / RONDELLE	7.312-005.0	2
16	6KT-MUTTER M10 / HEXAGON NUT / ECROU HEXAGONAL	7.311-511.0	2
17	VERKLEIDUNG / COVER / CARROSSAGE	5.031-265.0	1
18	BL.SCHR. ST4,8X13 / SHEET METAL SCREW / VIS A TOLE	7.303-076.0	3
19	SCHEIBE 5 / WASHER / RONDELLE	7.312-264.0	3
20	GUMMIPUFFER / RUBBER BUFFER / BUTOIR CAOUTCHOUC	6.906-011.0	1
21	SCHEIBE 8 / WASHER / RONDELLE	7.312-277.0	1
22	6KT-MUTTER M 8 / HEXAGON NUT / ECROU HEXAGONAL	7.311-514.0	1
23	HANDGRIFF / HANDLE / POIGNEE	6.905-930.0	1
24	FEDERRING B 6 / SPRING WASHER / RONDELLE GROWER	7.313-003.0	1

"=> xxxxxx" = bis Werknummer / up to serial No. / jusqu' au No. de fabr. / "xxxxxx =>" = ab Werknummer / from serial No. / a partir du No. de fabr. /

GRUPPE: 8.0 GEBLAESE
GROUP: 8.0 BLOWER
GRUPPE: 8.0 VENTILATEUR

A8

KMR-TRAC

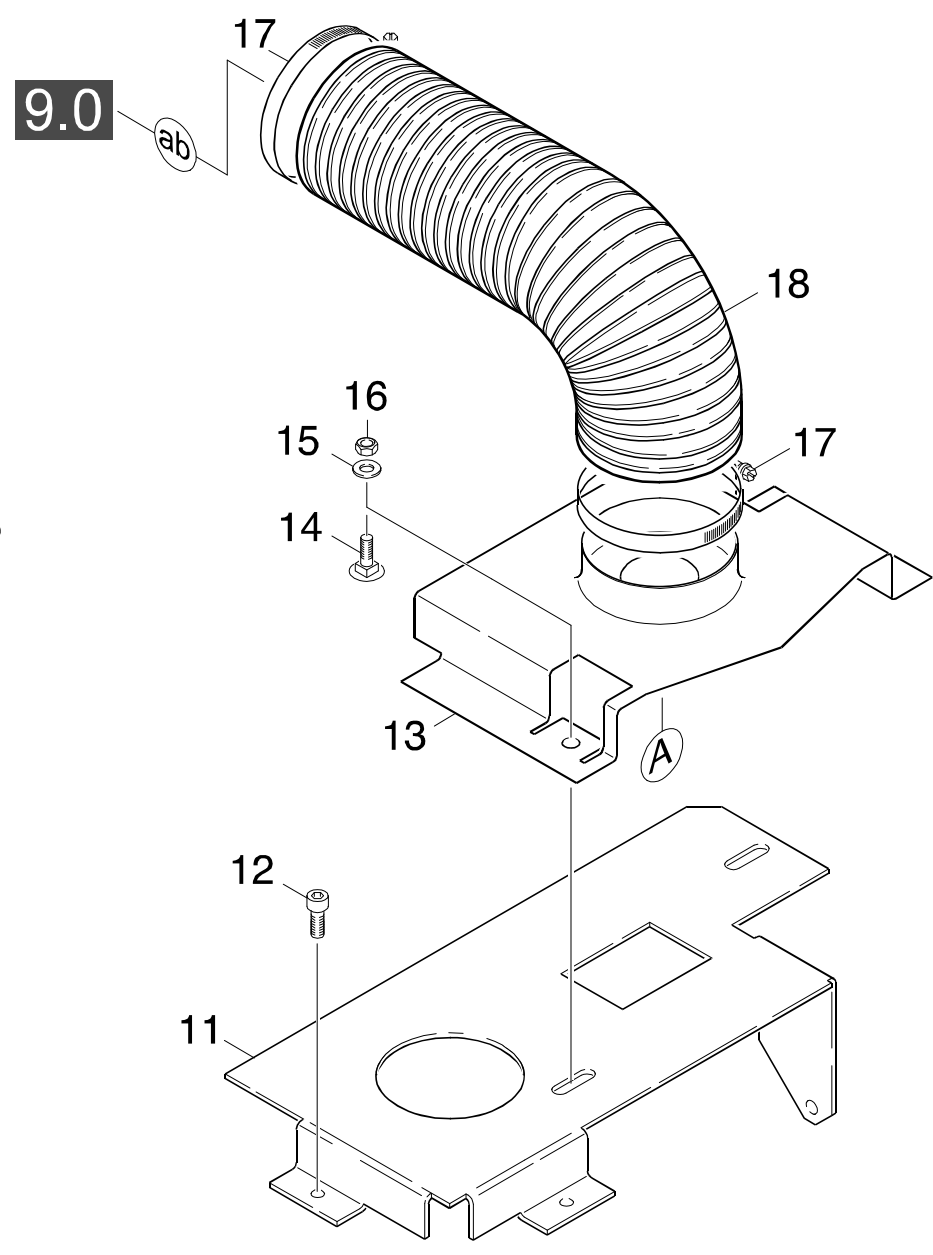
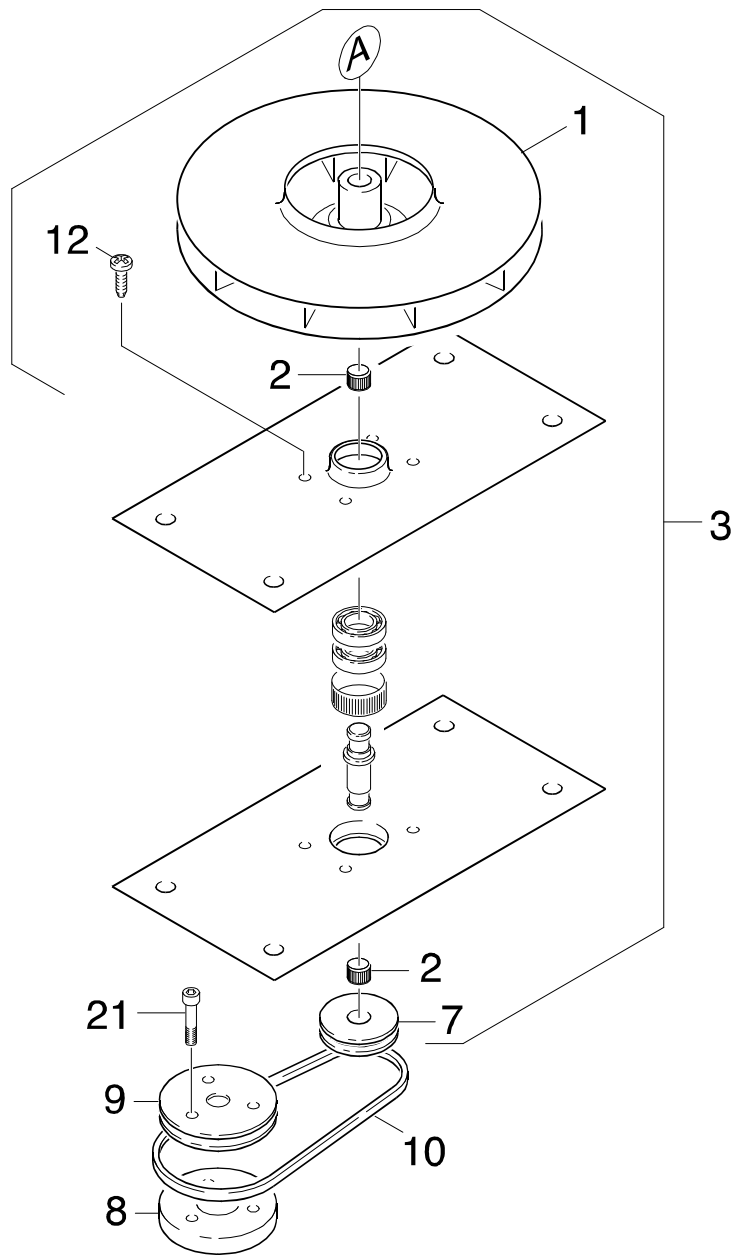
GRUPPE: 8.0 GEBLAESE
GROUP: 8.0 BLOWER
GRUPPE: 8.0 VENTILATEUR

Ersatzteile unter www.gluesing.net

GRUPPE: 8.0 GEBLAESE
GROUP: 8.0 BLOWER
GRUPPE: 8.0 VENTILATEUR

B8

KMR-TRAC



Symbolbeschreibung siehe M16 / symbol description see M16 / désignation de système voir M16 /

GRUPPE: 8.0 GEBLAESE
GROUP: 8.0 BLOWER
GROUPE: 8.0 VENTILATEUR

C8

KMR-TRAC

POS. ITM. POS.	BENNENNUNG DESCRIPTION DESIGNATION	TEILE-NR. PART-NO. NO.PIECE	STCK QTY. NBR.
1	GEBLAESERAD / BLOWER WHEEL / ROUE DE VENTILATEUR	6.484-043.0	1
2	TOLERANZRING / TOLERANCE RING / BAGUE	6.343-209.0	2
3	LAGER GEBLAESE / BEARING / PALIER	4.038-502.0	1
7	RIEMENSCHLEIBE / PULLEY / POULIE	5.625-257.0	1
8	KLEMMBUCHSE / CLAMP BUSH / DOUILLE DE SERRAGE	5.262-025.0	1
9	RIEMENSCHLEIBE / PULLEY / POULIE	5.625-258.0	1
10	KEILRIEMEN 5-441 LI / LARGE V-BELT / COURROIE TRAPEZOID.	6.348-290.0	1
11	BLECHTEIL / PLATE / TOLE	5.046-281.0	1
12	SCHRAUBE M 5X 8 / SCREW / VIS	7.303-036.0	6
13	BLECHTEIL / PLATE / TOLE	5.046-396.0	1
14	FL.RD.SCHR. M 8X 16 / SAUCER-HEAD SCREW / BOULON A TETE BOMBEE	7.303-193.0	2
15	SCHEIBE 8 / WASHER / RONDELLE	7.312-004.0	2
16	6KT-MUTTER M 8 / HEXAGON NUT / ECROU HEXAGONAL	7.311-004.0	2
17	SCHLAUCHSCHELLE / HOSE BAND CLIP / COLLIER DE SERRAGE	6.388-767.0	2
18	SAUGSCHLAUCH DN 80 / SUCTION HOSE / FLEXIBLE D'ASPIRATION	6.389-991.0	1
21	SCHRAUBE M 6X 20 / SCREW / VIS	7.306-092.0	3

"=> xxxxxx" = bis Werknummer / up to serial No. / jusqu' au No. de fabr. / "xxxxxx =>" = ab Werknummer / from serial No. / a partir du No. de fabr. /

GRUPPE: 9.0 FILTERKASTEN
GROUP: 9.0 FILTER BOX
GRUPPE: 9.0 FILTRE

A9

KMR-TRAC

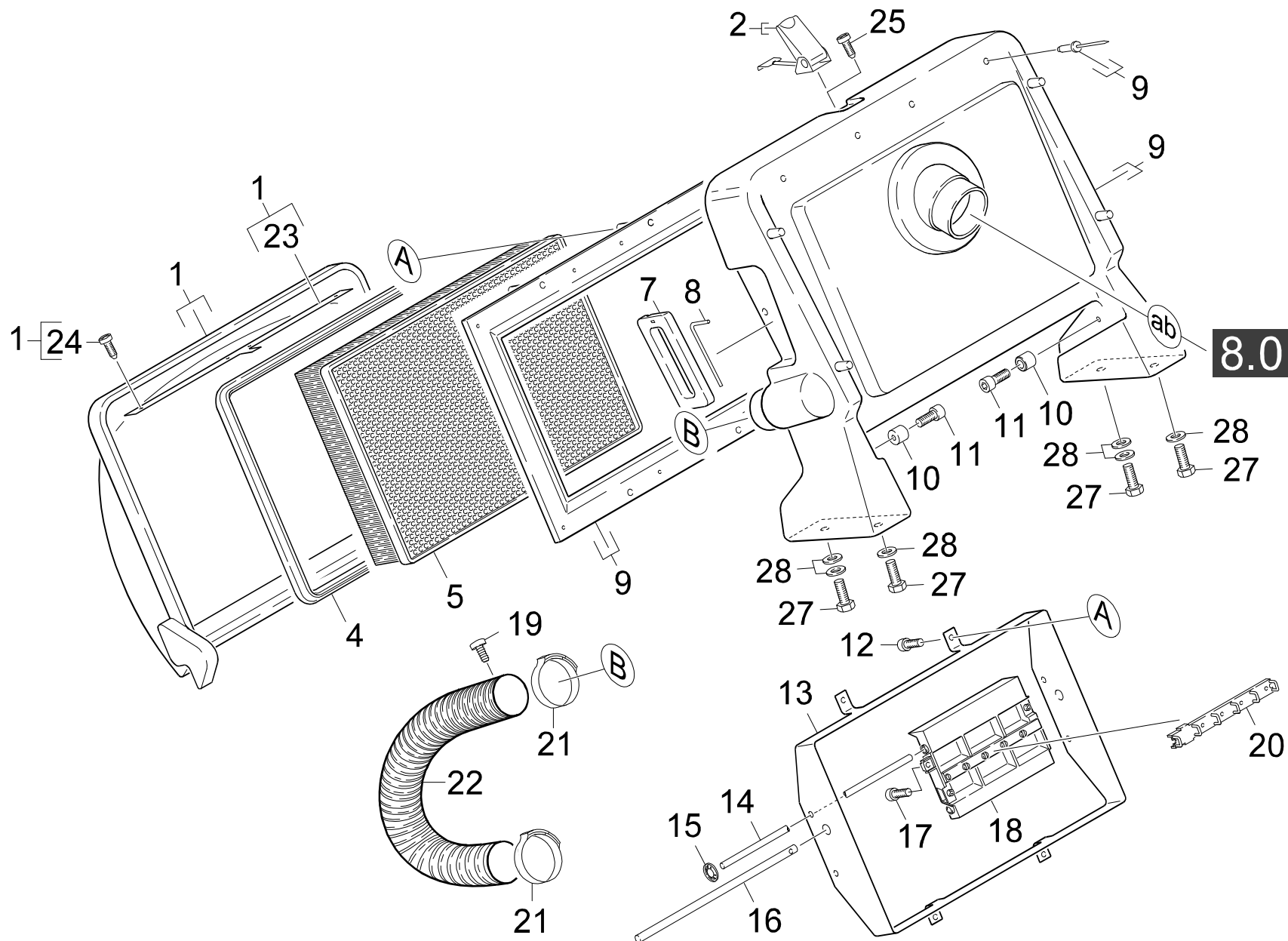
GRUPPE: 9.0 FILTERKASTEN
GROUP: 9.0 FILTER BOX
GRUPPE: 9.0 FILTRE

Ersatzteile unter www.gluesing.net

GRUPPE: 9.0 FILTERKASTEN
GROUP: 9.0 FILTER BOX
GRUPPE: 9.0 FILTRE

B9

KMR-TRAC



Symbolbeschreibung siehe M16 / symbol description see M16 / désignation de système voir M16 /

GRUPPE: 9.0 FILTERKASTEN
 GROUP: 9.0 FILTER BOX
 GROUPE: 9.0 FILTRE

C9

KMR-TRAC

POS. ITM. POS.	BENNENNUNG DESCRIPTION DESIGNATION	TEILE-NR. PART-NO. NO.PIECE	STCK QTY. NBR.
1	FORMTEIL KPL. / MOULDED PART / PREFORME	4.030-104.0	1
2	SPANNVERSCHLUSS / LOCK / MANDRIN	6.375-223.0	1
4	KANTENSCHUTZ / SHEATING / BORD DE PROTECTION	5.364-191.0	1
5	FILTER / FILTER / FILTRE	5.731-585.0	1
7	GRIFF / HANDLE / POIGNEE	5.321-115.0	1
8	HAKEN / HOOK / PATERE	5.037-061.0	1
9	FILTERKASTEN / FILTER BOX / FILTRE	4.730-076.0	1
10	BUCHSE / BUSH / DOUILLE	5.112-519.0	2
11	SCHRAUBE M 6X 20 / SCREW / VIS	7.306-092.0	2
12	SCHRAUBE M 6X 16 / SCREW / VIS	7.306-090.0	4
13	RAHMEN / FRAME / CADRE	4.050-301.0	1
14	STANGE / BAR / TIGE	5.107-140.0	2
15	SCHNELLBEFESTIGER / QUICK-FASTENER / ATTACHE RAPIDE	6.343-147.0	4
16	STAB / ROD / TIGE	5.107-167.0	1
17	ZYL.SCHR. M 6X 10 / CHEESE HEAD SCREW / VIS A TETE CYLINDR.	7.306-027.0	1
18	RUETTLERWAGEN / VIBRATOR MOTOR / MOTEUR DE VIBRATION	5.031-245.0	1
19	BL.SCHR. ST4,2X 9,5 / SHEET METAL SCREW / VIS A TOLE 10253 =>	7.303-071.0	2
20	ABSTREIFER / STRIPPER / DEVETISSEUR	5.030-900.0	1
21	SCHLAUCHSCHELLE / HOSE BAND CLIP / COLLIER DE SERRAGE	6.388-713.0	2
22	SAUGSCHLAUCH / SUCTION HOSE / FLEXIBLE D'ASPIRATION	6.389-990.0	2
23	BLECHTEIL / PLATE / TOLE	5.047-760.0	1
24	SCHRAUBE M 6X 12 / SCREW / VIS	7.303-046.0	4
25	SCHRAUBE 3,5X14 / SCREW / VIS	6.303-175.0	2
27	6KT-SCHR. M 8X 16 / HEXAGONAL HEAD SCREW / VIS HEXAGONAL	7.304-395.0	4
28	SCHEIBE 8 / WASHER / RONDELLE	7.312-277.0	6
29	SCHLAUCHSCHELLE / HOSE BAND CLIP / COLLIER DE SERRAGE	6.390-043.0	2

"=> xxxxxx" = bis Werknummer / up to serial No. / jusqu' au No. de fabr. / "xxxxxx =>" = ab Werknummer / from serial No. / a partir du No. de fabr. /

Bestellhinweis

Bei Ihrer Bestellung sind unbedingt anzugeben :

- | | | | | |
|---|---|--|---|---|
| 1.
Gerätetyp
Machine model
Type d'appareils | 2.
Herstell-Nr.
Serial-No.
No. de série | 3.
Benennung
Description
Désignation | 4.
Teile-Nr.
Part No.
Référence | 5.
Stückzahl
Piece No.
Quantité |
|---|---|--|---|---|



**siehe Typenschild
see name-plate
voir plaque signalétique**



**siehe Ersatzteilliste
see spare parts list
voir liste des pièces de rechange**

- Die Ersatzteile, welche als Meterware geliefert werden, sind auf Einbaulänge selbst zu kürzen. Ebenso sind die Stückzahlen in den jeweiligen Gruppen als Mindestbestellmengen = 1m angegeben und können je nach Bedarf auf weitere volle Meterzahlen erhöht und bestellt werden.
- Spare Parts which are delivered as cut goods have to be shortened to installation length. The quotation of quantity in each group refers to the minimum order quantity = 1m and may be ordered and raised to further full metre-values according to demand
- Les pièces de rechange qui sont livrées comme marchandise au mètre sont à raccourcir selon la longueur d'installation. Les indications de quantité dans chaque group se réfèrent à des valeurs de mètre de plus.
- Diese Ersatzteilliste erscheint in gedruckter Form sowie als Mikrofiche. Bei Querverweisen bezieht sich die Angabe "Seitenzahl" auf die gedruckte Ersatzteilliste und die Angabe "Bildtafel" auf die Mikrofilmausgabe.
- This spare parts list is published both in printed form and as a microfiche. In the cross-references, "page number" refers to the printed spare parts list and "display table" to the microfilm edition.
- Cette liste de pièces de rechange est aussi bien imprimée que publiée sous forme de microfiche. Les indications transversales renvoient au "numéro de page" sur la liste imprimée des pièces de rechange et à la "planche" sur la microfiche.

Bitte beachten Sie, daß der Teileumfang dieser Ersatzteilliste nicht unbedingt dem Lieferumfang Ihres Gerätes entspricht.

For your information: It could be that certain parts quoted in this spare parts list were not included with the machine delivery.

Pour votre information: il se peut que certaines pièces détachées mentionnées sur la liste ne vous aient pas été livrées avec l'appareil.

Die in dieser Ersatzteilliste nicht aufgeführten Einzelteile, bestellen Sie bitte direkt beim Vertragskundendienst des jeweiligen Herstellers.

Please order the individual parts not included in this assembly directly with the contract aftersales service of the manufacturer in question.

Veillez s'il vous plaît, commander les pièces détachées qui ne sont indiquées dans notre liste des pièces détachées, directement auprès du service après-vente des fabricants en question.

Bei Bestellung von lackierten Teilen, welche in der Ersatzteilliste nicht in verschiedenen Farben ausgewiesen sind, ist zusätzlich die Farbnummer oder Farbe mit anzugeben. Diese finden Sie auf dem Typenschild oder Farbschild Ihres Gerätes.

Upon ordering of varnished parts which are not mentioned in the spare parts list as parts with different colors, kindly additionally mention the number of the color. It can be seen on the type plate of the color plate of your machine.

Commandant des parts vernissés qui ne sont pas mentionnés comme parts avec une couleur différente dans la liste des pièces détachées, veuillez mentionner de plus le numéro de la couleur. Il se trouve sur la plaque signalétique ou la plaque de couleur de votre machine.

Auflistungen von Einzelteilen bei Ersatzteil - u. Pumpensets sind in der Reihe "16" einzusehen, bzw. direkt unter dem entsprechenden Set aufgelistet.

Listings of single parts upon spare parts kits and pump kits can be seen in row "16" or directly listed below the corresponding kit.
Des établissements des pièces détachées en ce qui concerne les kits des pièces de rechange et les kits de pompes, peuvent être vus à la ligne "16" ou ils sont répertoriés directement au-dessous du jeu correspondant.

Technische Änderungen im Rahmen der Weiterentwicklung sowie das Recht der ausschließlichen Auswertung unseres geistigen Eigentums behalten wir uns vor. Vervielfältigung und Nachdruck nur mit Genehmigung und Urheberhinweis möglich.

We reserve the right to make technical changes in the course of development work and the right to make exclusive use of our intellectual property. This spare parts list may be duplicated or reprinted only with our approval and with acknowledgement of our copyright.

Nous nous réservons le droit de toutes modifications techniques dans le cadre du perfectionnement des mises au point ainsi que le droit de la mise en valeur exclusive de notre propriété intellectuelle. Polycopie et reproduction exclusivement après accord et avec mention de l'auteur.

INDEX

M16

KMR-TRAC

GRUPPE:	1.0 GRUNDRAHMEN	A1-G1	GRUPPE:	9.0 FILTERKASTEN	A9-C9
GROUP:	1.0 BASE FRAME		GROUP:	9.0 FILTER BOX	
GRUPPE:	1.0 CADRE		GRUPPE:	9.0 FILTRE	
GRUPPE:	2.0 LENKUNG	A2-E2			
GROUP:	2.0 STEERING				
GRUPPE:	2.0 COMMANDE				
GRUPPE:	3.0 SITZ	A3-C3			
GROUP:	3.0 SEAT				
GRUPPE:	3.0 SIEGE				
GRUPPE:	4.0 FAHRWERK	A4-G4			
GROUP:	4.0 RUNNING GEAR				
GRUPPE:	4.0 MECANISME D'ROULEMENT				
GRUPPE:	5.0 KEHRWALZENKASTEN	A5-E5			
GROUP:	5.0 SWEEP ROLLER CHEST				
GRUPPE:	5.0 COFFRE DE CYLINDR.BALAYER				
GRUPPE:	6.0 MOTOR EINZELTEILE	A6-C6			
GROUP:	6.0 MOTOR				
GRUPPE:	6.0 MOTEUR				
GRUPPE:	7.0 SEITENBESEN	A7-C7			
GROUP:	7.0 SIDE BROOM				
GRUPPE:	7.0 BALAI				
GRUPPE:	8.0 GEBLAESE	A8-C8			
GROUP:	8.0 BLOWER				
GRUPPE:	8.0 VENTILATEUR				



BEISPIEL: VERSION 1
EXAMPLE: VERSION 1
EXEMPLE: VERSION 1

3.0

BEISPIEL: SIEHE IN GRUPPE 3
EXAMPLE: SEE IN GROUP 3
EXEMPLE: VOIR EN GROUPE 3



WICHTIGER HINWEIS
IMPORTANT REMARK
REMARQUAGE IMPORTANT

BESTELLMHINWEIS SIEHE M15
EXAMPLE ORDER SEE M15
EXEMPLE DE COMMANDE VOIR M15

VARIANTENÜBERSICHT SIEHE L16
VARIANTS SURVEY SEE L16
VUE D'ENSEMBLE DE VARIANTS VOIR L16