

**Ersatzteilliste  
Spare Parts List  
Liste des pièces de rechange**

# **KMR 1500 B**

**1.948-104.0 KMR 1500 B**

GRUPPE: 1.0 EINZELTEILE  
GROUP: 1.0 PIECE PARTS  
GRUPPE: 1.0 PIECES CONSTITUANTES

**A1**

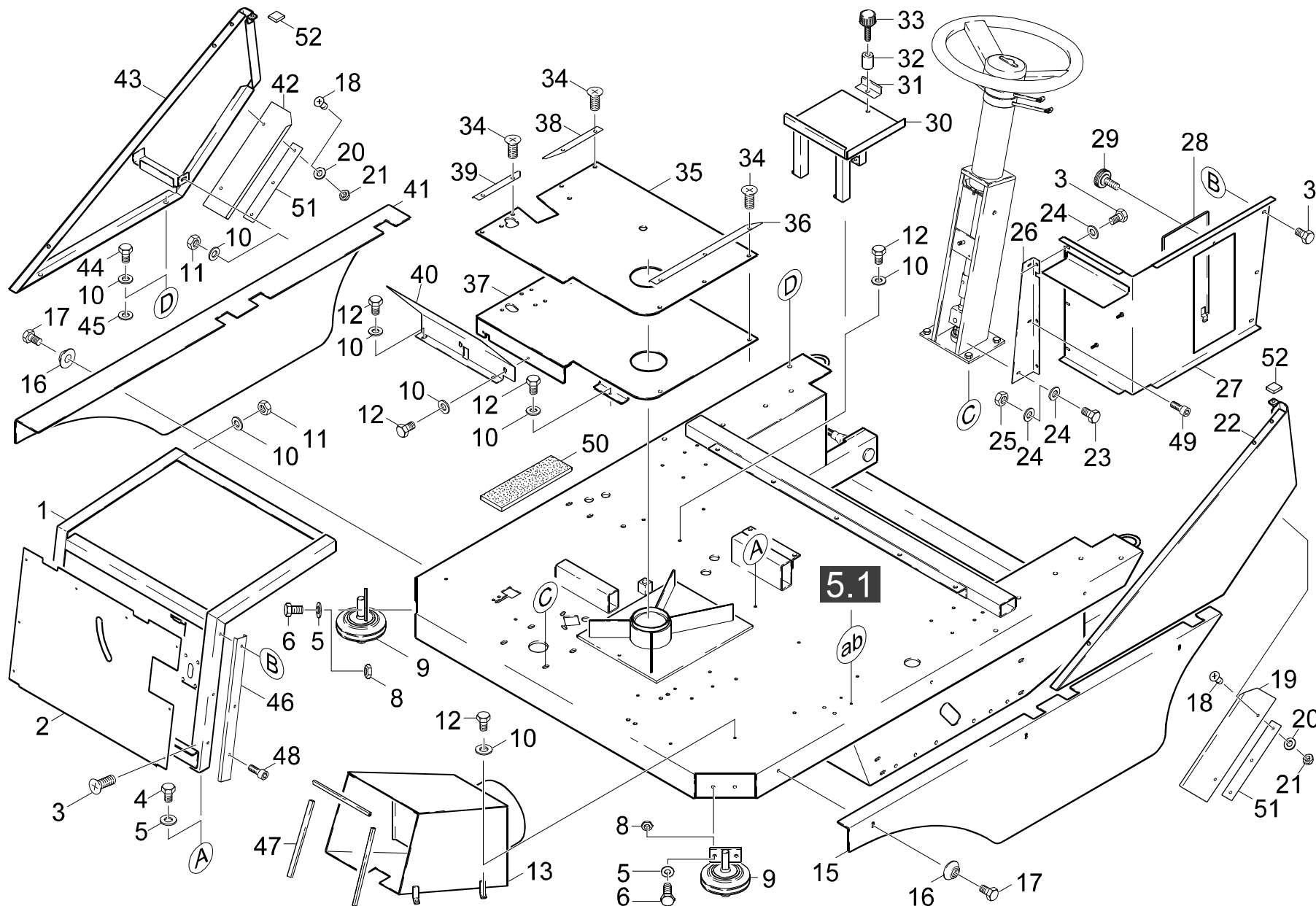
**KMR 1500 B**

**GRUPPE: 1.0 EINZELTEILE**  
**GROUP: 1.0 PIECE PARTS**  
**GRUPPE: 1.0 PIECES CONSTITUANTES**

GRUPPE: 1.0 EINZELTEILE  
GROUP: 1.0 PIECE PARTS  
GRUPPE: 1.0 PIÉCES CONSTITUANTES

B1

KMR 1500 B



Symbolbeschreibung siehe M16 / symbol description see M16 / désignation de système voir M16 /

GRUPPE: 1.0 EINZELTEILE  
 GROUP: 1.0 PIECE PARTS  
 GROUPE: 1.0 PIECES CONSTITUANTES

C1

KMR 1500 B

POS. ITM. POS.	BENNENUN DESCRIPTION DESIGNATION	TEILE-NR. PART-NO. NO.PIECE	STCK QTY. NBR.	POS. ITM. POS.	BENNENUN DESCRIPTION DESIGNATION	TEILE-NR. PART-NO. NO.PIECE	STCK QTY. NBR.
1	GESTELL / FRAME / CHASSIS	6.961-311.0	1	39	BODENLEISTE / BOARD / BAGUETTE	6.961-351.0	1
2	BLECHTEIL / PLATE / TOLE	6.961-340.0	1	40	BLECHTEIL RECHTS / PLATE / TOLE	6.961-341.0	1
3	SCHRAUBE M 4X 8 / SCREW / VIS	7.306-056.0	12	41	SEITENTEIL LI / SIDE PART / PARTIE LATERAL	5.047-430.0	1
4	6KT-SCHR. M 8X 16 / HEXAGONAL HEAD SCREW / VIS HEXAGONAL	7.304-395.0	2	42	GUMMITEIL RECHTS / RUBBER PLATE / PLAQUE EN CAOUTCHOUC	6.961-356.0	1
5	SCHEIBE 8 / WASHER / RONDELLE	7.312-004.0	6	43	BLECHTEIL / PLATE / TOLE	4.038-530.0	1
6	6KT-SCHR. M 8X 20 / HEXAGONAL HEAD SCREW / VIS HEXAGONAL	7.304-397.0	4	44	SCHRAUBE M 6X 16 / SCREW / VIS	7.306-090.0	4
8	6KT-MUTTER M 8 / HEXAGON NUT / ECROU HEXAGONAL	7.311-004.0	4	45	SCHEIBE 35X6,5X3 / WASHER / RONDELLE	6.961-345.0	4
9	RAD D125 / WHEEL / ROUE	6.435-305.0	2	46	U-PROFIL / U-PROFILE / PROFILE EN U	6.961-343.0	1
10	SCHEIBE 6 / WASHER / RONDELLE	7.312-003.0	27	47	DICHTUNG / SEAL / BOURRAGE	6.961-498.0	1
11	6KT-MUTTER M 6 / HEXAGON NUT / ECROU HEXAGONAL	7.311-003.0	5	48	ZYL.SCHR. M 4X 20 / CHEESE HEAD SCREW / VIS A TETE CYLINDR.	7.306-424.0	3
12	6KT-SCHR. M 6X 12 / HEXAGONAL HEAD SCREW / VIS HEXAGONAL	7.304-382.0	18	49	ZYL.SCHR. M 4X 12 / CHEESE HEAD SCREW / VIS A TETE CYLINDR.	7.306-421.0	3
13	ANSAUGKANAL / SUCTION PIPE / CONDUIT D'ASPIRATION	6.961-316.0	1	50	GUMMIMATTE / RUBBER MATING / TAPIS DE CAOUTCHOUC	6.961-499.0	1
15	SEITENTEIL RE / SIDE PART / PARTIE LATERAL	5.047-429.0	1	51	LEISTE / STRIP / BAGUETTE	5.190-073.0	2
16	SCHUTZTEIL / PROTECTION PART / PARTIE PROTECTEUR	6.961-354.0	6	52	STOSSDAEMPFER / SHOCK ABSORBER / AMORTISSEUR	6.437-380.0	2
17	ZYL.SCHR. M 6X 16 / CHEESE HEAD SCREW / VIS A TETE CYLINDR.	7.306-461.0	6				
18	SCHRAUBE M 5X 16 / SCREW / VIS	7.306-077.0	6				
19	SPRITZSCHUTZ / SPLASH-PROOF / CARTER DE PROTECTION	5.394-448.0	1				
20	SCHEIBE 5 / WASHER / RONDELLE	7.312-002.0	6				
21	6KT-MUTTER M 5 / HEXAGON NUT / ECROU HEXAGONAL	7.311-002.0	6				
22	VERKLEIDUNG LINKS / COVER / CARROSSAGE	6.961-313.0	1				
24	SCHEIBE 4 / WASHER / RONDELLE	7.312-001.0	21				
25	6KT-MUTTER M 4 / HEXAGON NUT / ECROU HEXAGONAL	7.311-001.0	6				
26	WINKEL / ANGLE / ANGLE	6.961-342.0	1				
27	VERKLEIDUNG / COVER / CARROSSAGE	6.961-312.0	1				
28	DECKEL KPL. / COVER / COUVERCLE	4.063-595.0	1				
29	GRIFF M6 X 20 / HANDLE / POIGNEE	6.321-069.0	1				
30	BATTERIEHALTER / BATTERY TRAY / SUPPORT DE BATTERY	6.961-317.0	1				
31	WINKEL / ANGLE / ANGLE	6.903-491.0	1				
32	DISTANZSTUECK / SPACER / BUTEE D'ESPACEMENT	6.905-676.0	1				
33	HANDSCHRAUBE M8X36 / HAND SCREW / CRIC A MAIN	6.905-739.0	1				
34	SENKSCHR. M 5X 12 / FLAT HEADED SCREW / VIS A TETE CONIQUE	7.305-028.0	10				
35	GUMMIMATTE / RUBBER MATING / TAPIS DE CAOUTCHOUC	6.961-349.0	1				
36	LEISTE / STRIP / BAGUETTE	5.190-070.0	1				
37	BODENPLATTE / BOTTOM PLATE / PLAQUE DE FOND	6.961-315.0	1				
38	BODENLEISTE / BOARD / BAGUETTE	6.961-350.0	1				

"=> xxxxxx" = bis Werknummer / up to serial No. / jusqu' au No. de fabr. / "xxxxxx =>" = ab Werknummer / from serial No. / a partir du No. de fabr. /

GRUPPE: 2.0 HYDRAULIKSYSTEM  
GROUP: 2.0 HYDRAULIC SYSTEM  
GRUPPE: 2.0 SYSTEME HYDRAULIQUE

**A2**

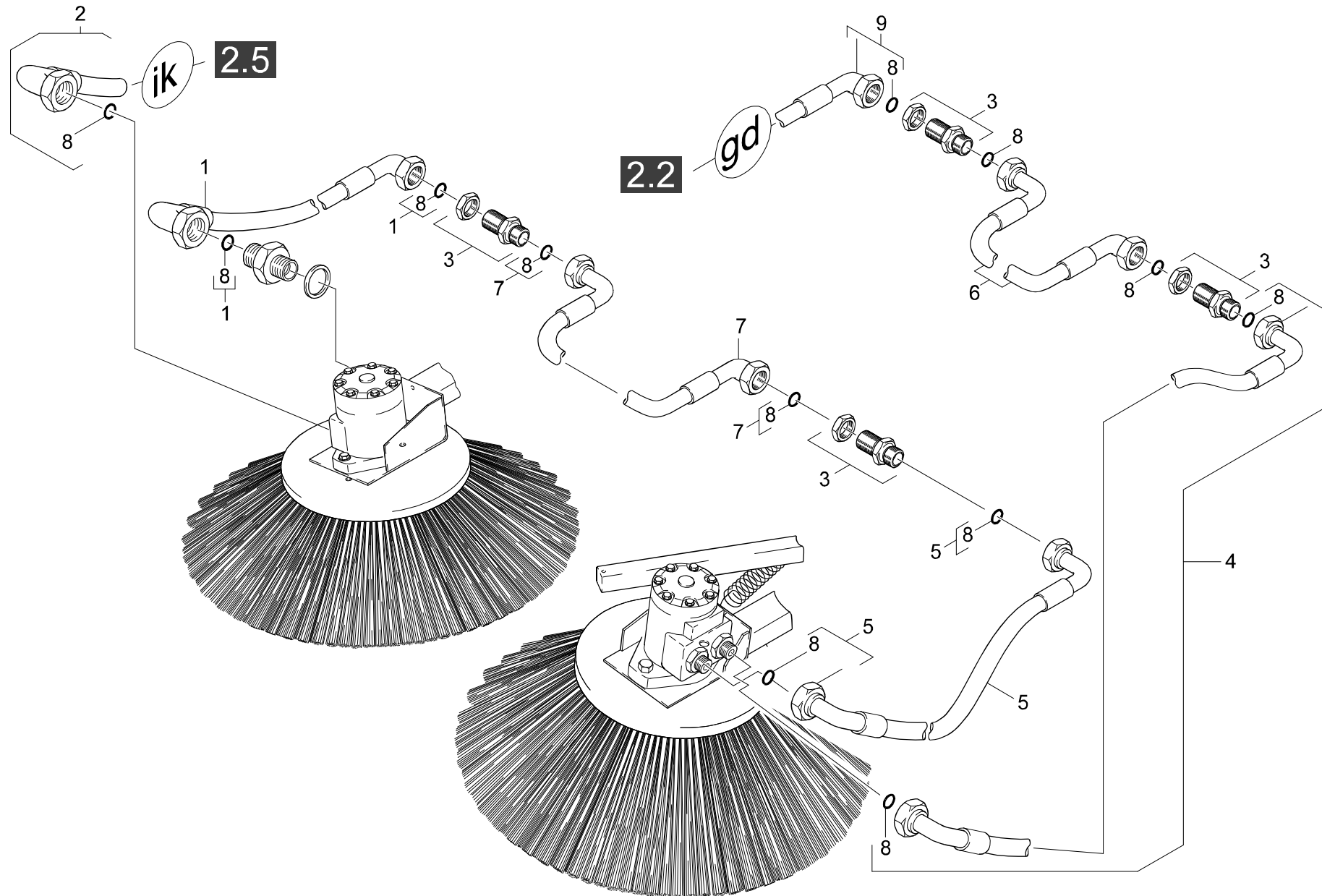
**KMR 1500 B**

**GRUPPE: 2.0 HYDRAULIKSYSTEM**  
**GROUP: 2.0 HYDRAULIC SYSTEM**  
**GRUPPE: 2.0 SYSTEME HYDRAULIQUE**

GRUPPE: 2.1 SEITENBESEN  
GROUP: 2.1 SIDE BROOM  
GRUPPE: 2.1 BALAI

B2

KMR 1500 B



Symbolbeschreibung siehe M16 / symbol description see M16 / désignation de système voir M16 /

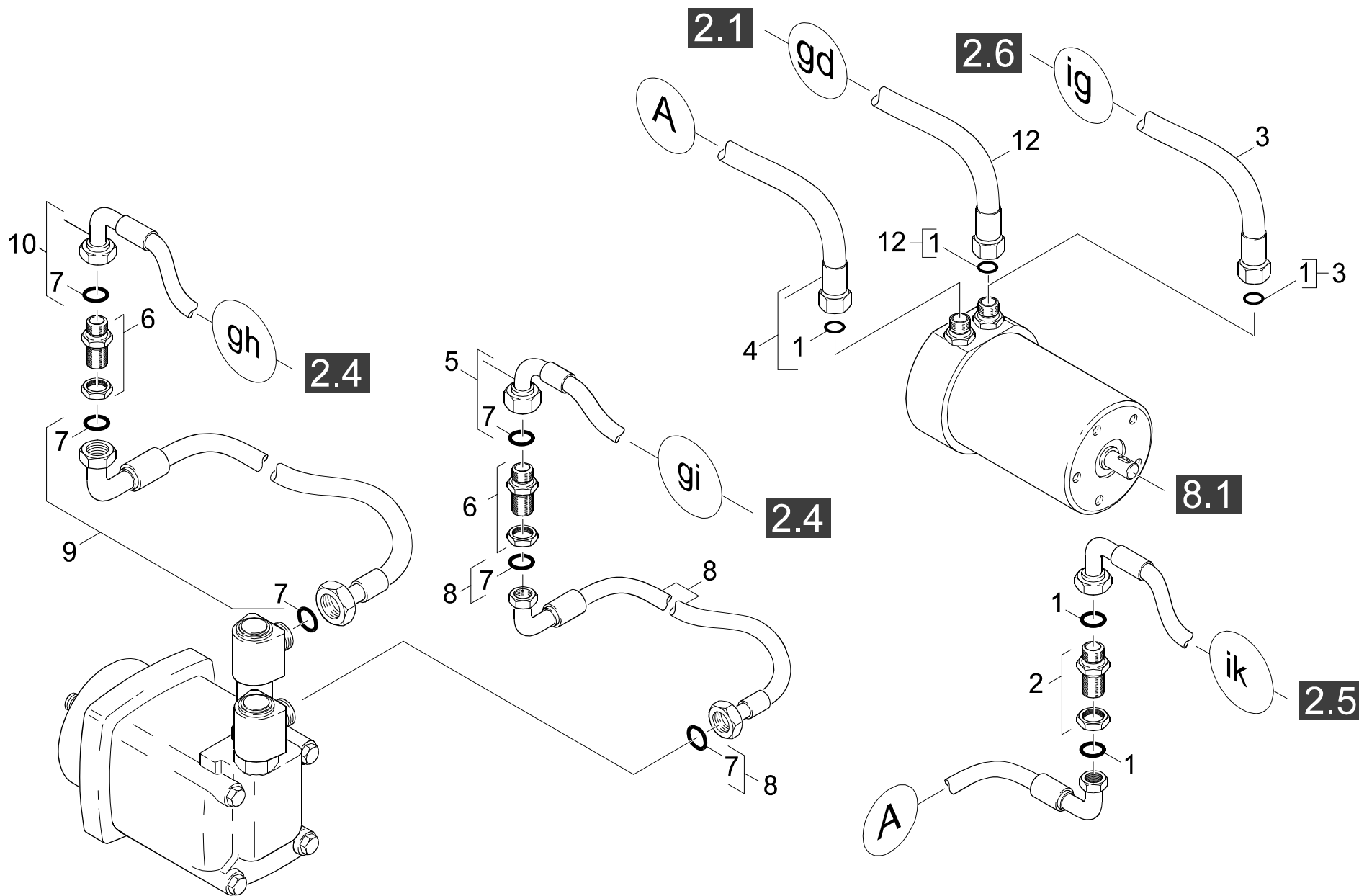
GRUPPE: 2.1 SEITENBESEN  
GROUP: 2.1 SIDE BROOM  
GRUPPE: 2.1 BALAI

C2

KMR 1500 B

POS.	BENNENNUNG	TEILE-NR.	STCK
ITM.	DESCRIPTION	PART-NO.	QTY.
POS.	DESIGNATION	NO.PIECE	NBR.
1	SCHLAUCH / HOSE / TUYAU FLEXIBLE	6.961-075.0	1
2	SCHLAUCH / HOSE / TUYAU FLEXIBLE	6.961-060.0	1
3	DOPPELNIPPEL KPL. / DOUBLE NIPPLE / NIPPLE DOUBLE	6.961-047.0	4
4	SCHLAUCH / HOSE / TUYAU FLEXIBLE	6.961-069.0	1
5	SCHLAUCH / HOSE / TUYAU FLEXIBLE	6.961-070.0	1
6	SCHLAUCH / HOSE / TUYAU FLEXIBLE	6.961-072.0	1
7	SCHLAUCH / HOSE / TUYAU FLEXIBLE	6.961-071.0	1
8	O-RING 10,0 X 2,0 / GASKET / BAQUE D'ETANCHEITE	6.362-151.0	13
9	SCHLAUCH / HOSE / TUYAU FLEXIBLE	6.961-507.0	1

"=> xxxxxx" = bis Werknummer / up to serial No. / jusqu' au No. de fabr. / "xxxxxx =>" = ab Werknummer / from serial No. / a partir du No. de fabr. /



Symbolbeschreibung siehe M16 / symbol description see M16 / désignation de système voir M16 /



GRUPPE: 2.2 ANTRIEB  
GROUP: 2.2 ACTUATION  
GROUPE: 2.2 ENTRAINEMENT

E2

KMR 1500 B

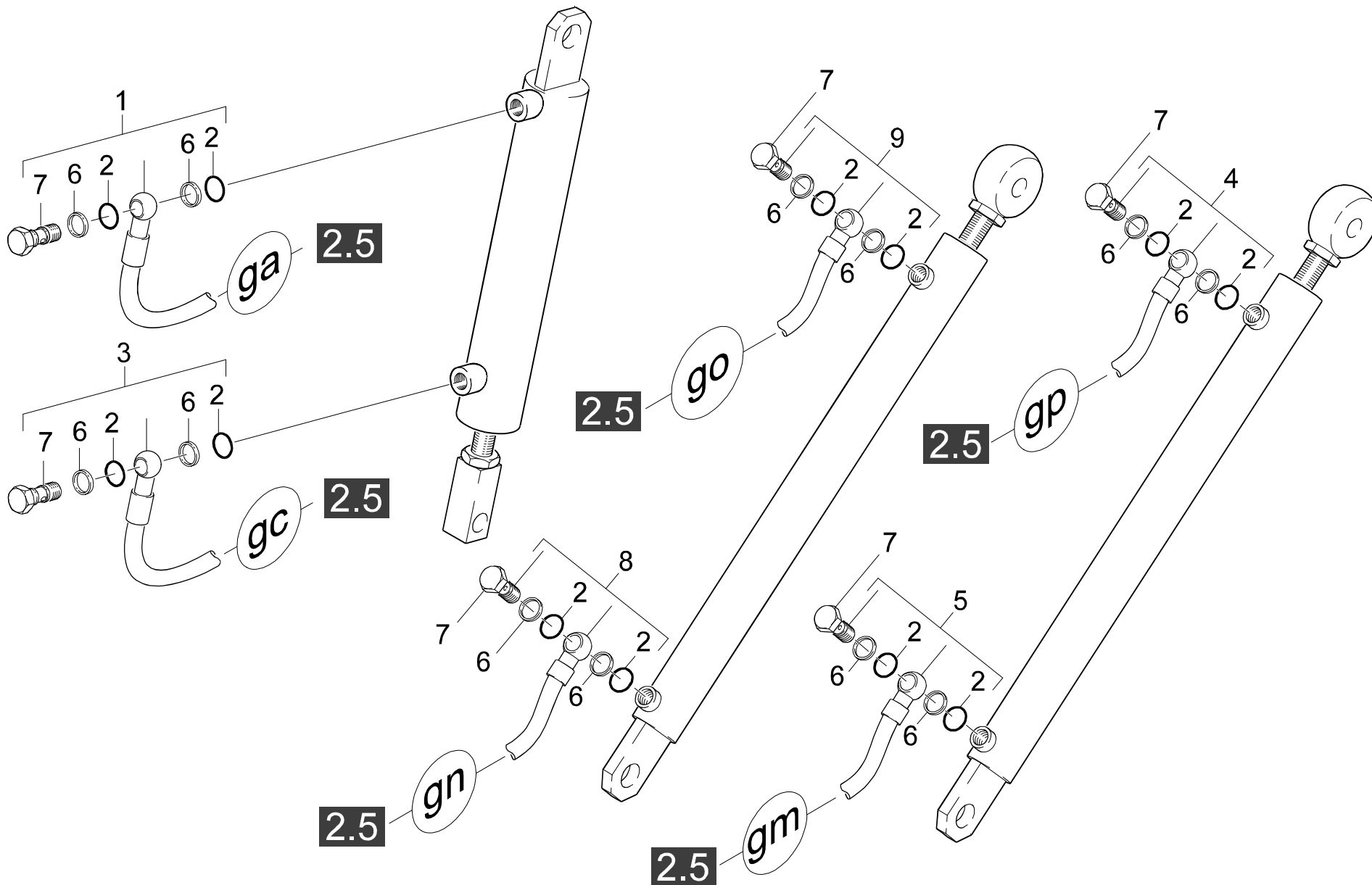
POS. ITM. POS.	BENNENNUNG DESCRIPTION DESIGNATION	TEILE-NR. PART-NO. NO.PIECE	STCK QTY. NBR.
1	O-RING 10,0 X 2,0 / GASKET / BAQUE D'ETANCHEITE	6.362-151.0	4
2	DOPPELNIPPEL KPL. / DOUBLE NIPPLE / NIPPLE DOUBLE	6.961-047.0	1
3	SCHLAUCH / HOSE / TUYAU FLEXIBLE / 1.948-104.0	6.961-061.0	1
4	SCHLAUCH / HOSE / TUYAU FLEXIBLE	6.961-074.0	1
5	SCHLAUCH / HOSE / TUYAU FLEXIBLE	6.961-052.0	1
6	VERSCHRAUBUNG / SCREW CONNECTOR / RACCORD A VIS	6.386-629.0	2
7	O-RING 12,0 X 2,0 / GASKET / BAQUE D'ETANCHEITE	6.362-169.0	6
8	SCHLAUCH / HOSE / TUYAU FLEXIBLE	6.961-048.0	1
9	SCHLAUCH / HOSE / TUYAU FLEXIBLE	6.961-050.0	1
10	SCHLAUCH / HOSE / TUYAU FLEXIBLE	6.961-051.0	1
12	SCHLAUCH / HOSE / TUYAU FLEXIBLE / 1.948-124.0	6.961-507.0	1

"=> xxxxxx" = bis Werknummer / up to serial No. / jusqu' au No. de fabr. / "xxxxxx =>" = ab Werknummer / from serial No. / a partir du No. de fabr. /

GRUPPE: 2.3 KEHRBEHAELTER  
GROUP: 2.3 SWEEP TANK  
GRUPPE: 2.3 BAC BALAYER

F2

KMR 1500 B



Symbolbeschreibung siehe M16 / symbol description see M16 / désignation de système voir M16 /

GRUPPE: 2.3 KEHRBEHAELTER  
GROUP: 2.3 SWEEP TANK  
GROUPE: 2.3 BAC BALAYER

G2

KMR 1500 B

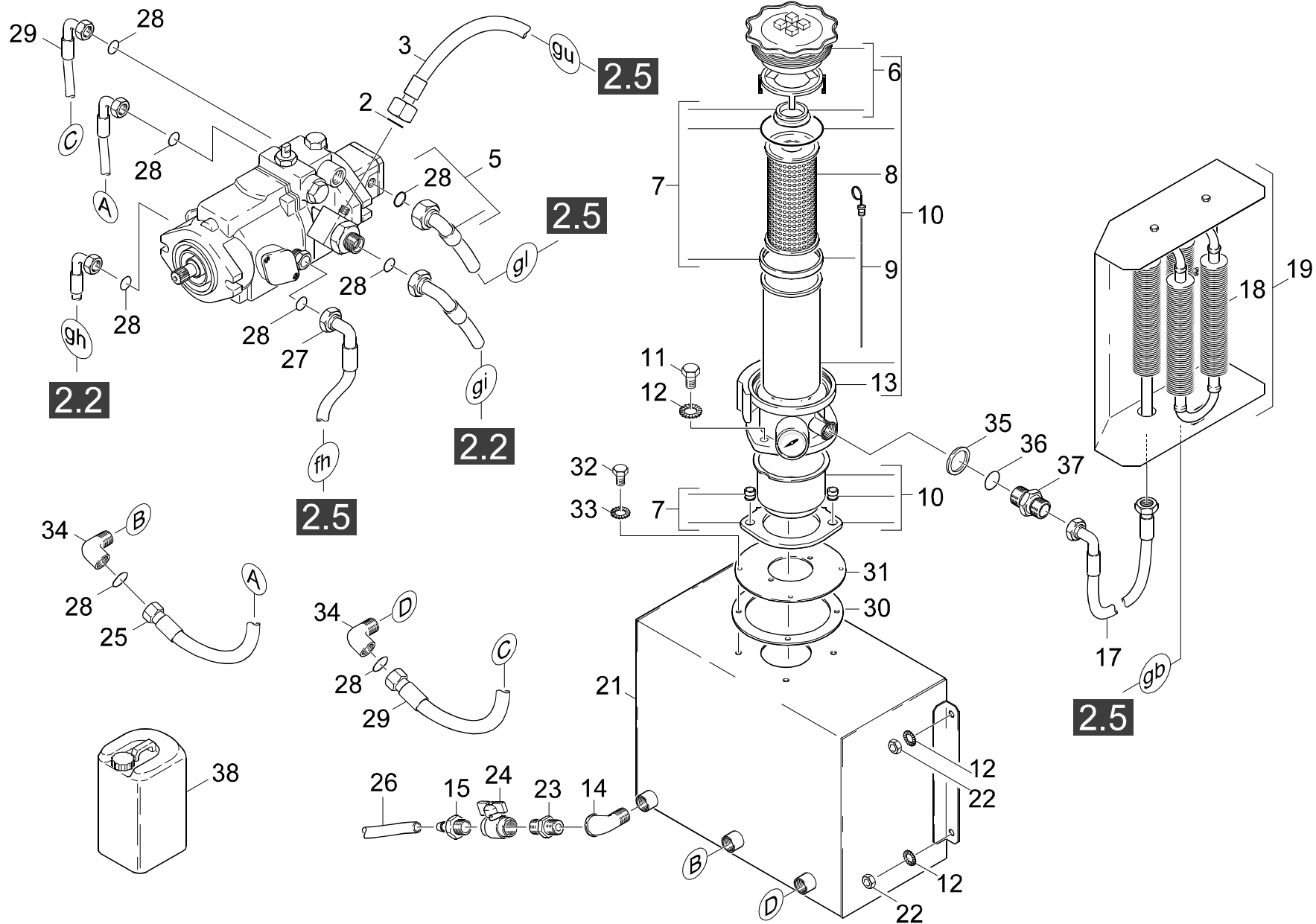
POS.	BENNENNUNG	TEILE-NR.	STCK
ITM.	DESCRIPTION	PART-NO.	QTY.
POS.	DESIGNATION	NO.PIECE	NBR.
1	SCHLAUCH / HOSE / TUYAU FLEXIBLE	6.961-066.0	1
2	O-RING 10,77X 2,62 / GASKET / BAQUE D'ETANCHEITE	6.961-508.0	12
3	SCHLAUCH / HOSE / TUYAU FLEXIBLE	6.961-067.0	1
4	SCHLAUCH / HOSE / TUYAU FLEXIBLE	6.961-065.0	1
5	SCHLAUCH / HOSE / TUYAU FLEXIBLE	6.961-062.0	1
6	SCHEIBE / WASHER / RONDELLE	6.961-034.0	12
7	HOHLSCHRAUBE / HOLLOW SCREW / BOULON CREUX	6.961-077.0	6
8	SCHLAUCH / HOSE / TUYAU FLEXIBLE	6.961-063.0	1
9	SCHLAUCH / HOSE / TUYAU FLEXIBLE	6.961-064.0	1

"=> xxxxxx" = bis Werknummer / up to serial No. / jusqu' au No. de fabr. / "xxxxxx =>" = ab Werknummer / from serial No. / a partir du No. de fabr. /

GRUPPE: 2.4 PUMPE-TANK  
GROUP: 2.4 PUMP-TANK  
GRUPPE: 2.4 POMPE-RESERVOIR

H2

KMR 1500 B



Symbolbeschreibung siehe M16 / symbol description see M16 / désignation de système voir M16 /

GRUPPE: 2.4 PUMPE-TANK  
 GROUP: 2.4 PUMP-TANK  
 GROUPE: 2.4 POMPE-RESERVOIR

I2

KMR 1500 B

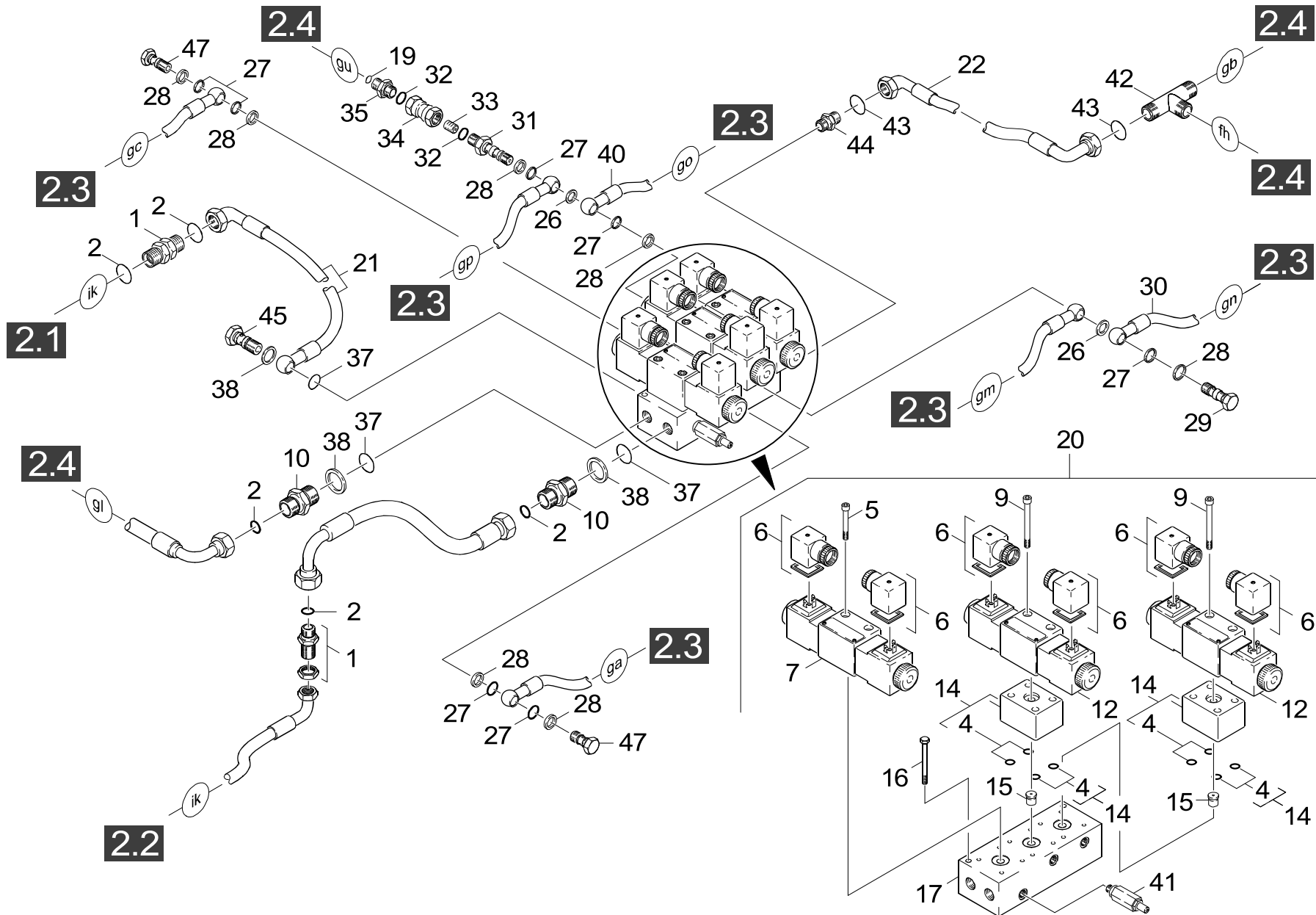
POS. ITM. POS.	BENNENUNG DESCRIPTION DESIGNATION	TEILE-NR. PART-NO. NO.PIECE	STCK QTY. NBR.
2	O-RING 6,0 X 1,5 / GASKET / BAQUE D'ETANCHEITE	6.362-703.0	1
3	SCHLAUCH KPL. / HOSE / TUYAU FLEXIBLE	6.961-515.0	1
5	SCHLAUCH / HOSE / TUYAU FLEXIBLE	6.961-052.0	1
6	TANKDECKEL / CAP OF A TANK / BOUCHON DE RESERVOIR	6.961-520.0	1
7	DICHTUNGSSATZ / SET OF GASKETS / ASSORTIMENT DE JOINTS	6.961-521.0	1
8	FILTERPATRONE / CARTRIDGE FILTER / CARTOUCHE	6.961-519.0	1
9	OELMESSTAB / OIL DIP ROD / JAUGE NIVEAU D'HUILE	6.961-518.0	1
10	FILTER KPL. / FILTER / FILTRE	6.961-023.0	1
11	6KT-SCHR. M 8X 25 / HEXAGONAL HEAD SCREW / VIS HEXAGONAL	7.304-399.0	1
12	ZAHNSCHEIBE A 8,4 / LOCK WASHER / ROUE PLATE	7.312-159.0	6
13	EINFUELLSTUTZEN / FILLING DEVICE / TUBULURE DE REMPL.	6.961-522.0	1
14	WINKEL A4- 1/2 / ANGLE / ANGLE	6.387-538.0	1
15	SCHLAUCHNIPPEL / HOSE STEM / RACCORD DE FLEXIBLE	5.443-304.0	1
17	SCHLAUCH / HOSE / TUYAU FLEXIBLE	6.961-600.0	1
18	OELKUEHLER ELEMENT / OIL COOLER / REFRIGERANT	6.961-517.0	1
19	OELKUEHLER KPL. / OIL COOLER / REFRIGERANT	6.961-516.0	1
21	BEHAELTER / TANK / BAC	6.961-509.0	1
22	6KT-MUTTER M 8 / HEXAGON NUT / ECROU HEXAGONAL	7.311-004.0	4
23	VERBINDUNGSSTUTZEN / UNION / TUBULURE DE RACCORD	6.961-511.0	1
24	ABSPERRVENTIL / STOP VALVE / SOUPAPE D'ARRET	6.961-510.0	1
25	SCHLAUCH / HOSE / TUYAU FLEXIBLE	6.961-597.0	1
26	ABLASSSCHLAUCH / DRAIN HOSE / TUYAU FLEX. D'ECOULEMENT	6.961-024.0	1
27	SCHLAUCH / HOSE / TUYAU FLEXIBLE	6.961-595.0	1
28	O-RING 12,0 X 2,0 / GASKET / BAQUE D'ETANCHEITE	6.362-169.0	7
29	SCHLAUCH / HOSE / TUYAU FLEXIBLE	6.961-596.0	1
30	DICHTUNG / SEAL / BOURRAGE	6.961-598.0	1
31	FLANSCH / FLANGE / BRIDE	6.961-599.0	1
32	6KT-SCHR. M 6X 12 / HEXAGONAL HEAD SCREW / VIS HEXAGONAL	7.304-382.0	4
33	FEDERSCHEIBE B 6,0 / SPRING WASHER / RONDELLE ELAST.	7.312-305.0	4
34	VERSCHR. WE15-LR1/2 / SCREW CONNECTION / RACCORD A VIS	6.385-499.0	2
35	DISTANZSCHEIBE / SPACER / DISQUE	6.961-018.0	1
36	O-RING 17,12X 2,62 / GASKET / BAQUE D'ETANCHEITE	6.362-171.0	1
37	STUTZEN 15-L G1/2" / CONNECTION PIECE / TUBULURE	6.386-303.0	1
38	HYDRAULIKOEL 20L / HYDRAULIC OIL / HUILE HYDRAULIQUE	6.961-611.0	1

"=> xxxxxx" = bis Werknummer / up to serial No. / jusqu' au No. de fabr. / "xxxxxx =>" = ab Werknummer / from serial No. / a partir du No. de fabr. /

GRUPPE: 2.5 STEUERBLOCK  
GROUP: 2.5 CONTROL BLOCK  
GRUPPE: 2.5 POIGNEE-ETOILE

J2

KMR 1500 B



Symbolbeschreibung siehe M16 / symbol description see M16 / désignation de système voir M16 /

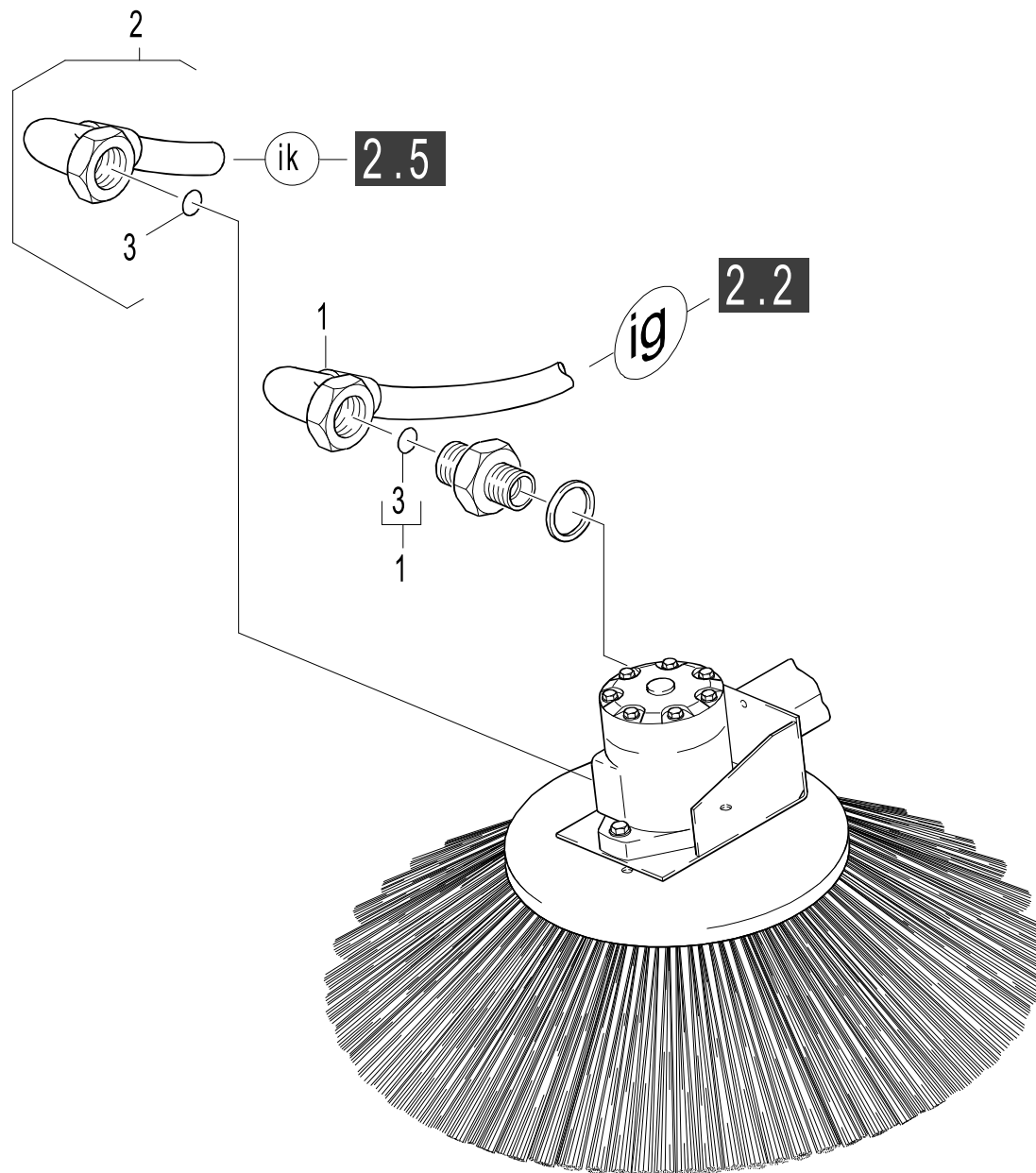
GRUPPE: 2.5 STEUERBLOCK  
 GROUP: 2.5 CONTROL BLOCK  
 GROUPE: 2.5 POIGNEE-ETOILE

**K2**

**KMR 1500 B**

POS. ITM. POS.	BENNENNUNG DESCRIPTION DESIGNATION	TEILE-NR. PART-NO. NO.PIECE	STCK QTY. NBR.	POS. ITM. POS.	BENNENNUNG DESCRIPTION DESIGNATION	TEILE-NR. PART-NO. NO.PIECE	STCK QTY. NBR.
1	DOPPELNIPPEL KPL. / DOUBLE NIPPLE / NIPPLE DOUBLE	6.961-047.0	2	44	VERSCHR. GE15-LR3/8 / SCREW CONNECTION / RACCORD A VIS	6.385-480.0	1
2	O-RING 10,0 X 2,0 / GASKET / BAQUE D'ETANCHEITE	6.362-151.0	5	45	HOHLSCHRAUBE / HOLLOW SCREW / BOULON CREUX	6.961-603.0	1
3	SCHLAUCH / HOSE / TUYAU FLEXIBLE	6.961-058.0	1	47	HOHLSCHRAUBE / HOLLOW SCREW / BOULON CREUX	6.961-077.0	2
4	O-RING 9,0 X 1,5 / GASKET / BAQUE D'ETANCHEITE	6.419-059.0	20				
5	ZYL.SCHR. M 5X 50 / CHEESE HEAD SCREW / VIS A TETE CYLINDR.	7.306-177.0	4				
6	WINKEL -STECKVERB. / ANGLE / ANGLE	6.961-529.0	6				
7	VENTILBLOCK / VALVE BLOCK / BLOC VENT.	6.961-528.0	1				
9	ZYL.SCHR. M 5X 90 / CHEESE HEAD SCREW / VIS A TETE CYLINDR.	7.306-178.0	8				
10	DOPPELNIPPEL / DOUBLE NIPPLE / NIPPLE DOUBLE	6.961-025.0	2				
12	VENTILBLOCK / VALVE BLOCK / BLOC VENT.	6.961-527.0	2				
14	RUECKSCHLAGVENTIL / CHECK VALVE / CLAPET DE NON-RETOUR	6.961-526.0	2				
15	DUESE / NOZZLE / BUSE	6.961-033.0	2				
16	6KT-SCHR. M 6X 60 / HEXAGONAL HEAD SCREW / VIS HEXAGONAL	7.304-089.0	2				
17	STUEBERBLOCK / CONTROL BLOCK / POIGNEE-ETOILE	6.961-040.0	1				
19	O-RING 6,0 X 1,5 / GASKET / BAQUE D'ETANCHEITE	6.362-703.0	1				
20	STUEBERBLOCK KPL. / CONTROL BLOCK / POIGNEE-ETOILE	6.961-525.0	1				
21	SCHLAUCH / HOSE / TUYAU FLEXIBLE	6.961-059.0	1				
22	SCHLAUCH / HOSE / TUYAU FLEXIBLE	6.961-601.0	1				
26	DICHTRING / JOINT RING / BAGUE D'ETANCHEITE	6.961-032.0	2				
27	O-RING 10,77X 2,62 / GASKET / BAQUE D'ETANCHEITE	6.961-508.0	6				
28	SCHEIBE / WASHER / RONDELLE	6.961-034.0	6				
29	HOHLSCHRAUBE / HOLLOW SCREW / BOULON CREUX	6.961-028.0	1				
31	HOHLSCHRAUBE / HOLLOW SCREW / BOULON CREUX	6.961-029.0	1				
32	O-RING 13,3 X 2,4 / GASKET / BAQUE D'ETANCHEITE	6.362-078.0	2				
33	DUESE / NOZZLE / BUSE	6.961-030.0	1				
34	RUECKSCHLAGVENTIL / CHECK VALVE / CLAPET DE NON-RETOUR	6.961-041.0	1				
35	REDUZIERNIPPEL / REDUCING NIPPLE / NIPPLE RED.	6.961-031.0	1				
37	O-RING 13,94X 2,62 / GASKET / BAQUE D'ETANCHEITE	6.362-598.0	3				
38	DICHTRING / JOINT RING / BAGUE D'ETANCHEITE	6.961-057.0	3				
41	SICHERHEITSVENTIL / SAFETY VALVE / SOUPAPE (TROP-PLEIN)	6.961-602.0	1				
42	VERSCHRAUBUNG T15-L / SCREW CONNECTOR / RACCORD A VIS	6.385-509.0	1				
43	O-RING 12,0 X 2,0 / GASKET / BAQUE D'ETANCHEITE	6.362-169.0	2				

"=> xxxxxx" = bis Werknummer / up to serial No. / jusqu' au No. de fabr. / "xxxxxx =>" = ab Werknummer / from serial No. / a partir du No. de fabr. /



Symbolbeschreibung siehe M16 / symbol description see M16 / désignation de système voir M16 /



GRUPPE: 2.6 SEITENBESEN RECHTS  
GROUP: 2.6 SIDE BROOM  
GRUPPE: 2.6 BALAI

**M2**

**KMR 1500 B**

POS.	BENNENNUNG	TEILE-NR.	STCK
ITM.	DESCRIPTION	PART-NO.	QTY.
POS.	DESIGNATION	NO.PIECE	NBR.
1	SCHLAUCH / HOSE / TUYAU FLEXIBLE	6.961-061.0	1
2	SCHLAUCH / HOSE / TUYAU FLEXIBLE	6.961-060.0	1
3	O-RING 10,0 X 2,0 / GASKET / BAQUE D'ETANCHEITE	6.362-151.0	2

"=> xxxxxx" = bis Werknummer / up to serial No. / jusqu' au No. de fabr. / "xxxxxx =>" = ab Werknummer / from serial No. / a partir du No. de fabr. /

GRUPPE: 3.0 SITZ  
GROUP: 3.0 SEAT  
GRUPPE: 3.0 SIEGE

**A3**

**KMR 1500 B**

**GRUPPE: 3.0 SITZ**  
**GROUP: 3.0 SEAT**  
**GRUPPE: 3.0 SIEGE**

Ersatzteile unter [www.gluesing.net](http://www.gluesing.net)



GRUPPE: 3.0 SITZ  
 GROUP: 3.0 SEAT  
 GROUPE: 3.0 SIEGE

# C3

# KMR 1500 B

POS. ITM. POS.	BENNENNUNG DESCRIPTION DESIGNATION	TEILE-NR. PART-NO. NO.PIECE	STCK QTY. NBR.	POS. ITM. POS.	BENNENNUNG DESCRIPTION DESIGNATION	TEILE-NR. PART-NO. NO.PIECE	STCK QTY. NBR.
1	ARMLEHNE / ARMREST / ACCOUDOIR	6.961-325.0	1	38	KONSOLE ,GASHEBEL / BRACKET / CONSOLE	6.961-503.0	1
2	SITZSCHALE / SEAT / SIEGE	6.393-696.0	1	39	BOWDENZUG / BOWDEN WIRE / CABLE SOUS GAINÉ	6.961-504.0	1
3	6KT-SCHR. M 8X 20 / HEXAGONAL HEAD SCREW / VIS HEXAGONAL	7.304-397.0	2	40	HAKEN / HOOK / PATERE	6.961-346.0	1
4	SICHERUNGSBUEGEL / RETAINER / CIRCLIP	6.961-320.0	1	41	FEDER / SPRING / RESSORT	6.330-033.0	1
5	BUCHSE / BUSH / DOUILLE	6.903-435.0	2	42	6KT-MUTTER M 5 / HEXAGON NUT / ECROU HEXAGONAL	7.311-421.0	2
6	S-RING 10X1 / SPRING CLIP / CIRCLIP	7.343-001.0	3	43	FEDERSICHERUNG / SPRING RETENTION / RONDELLE-RESSORT D'ARRET	6.961-506.0	1
7	GRUNDPLATTE / BASE PLATE / PLAQUE DE BASE	6.961-319.0	1	44	ZYL.SCHR. M 5X 12 / CHEESE HEAD SCREW / VIS A TETE CYLINDR.	7.306-443.0	4
8	VERRIEGELUNG / LOCKING PART / DISP. D'ACCROCHAGE	6.961-491.0	1	45	6KT-MUTTER M 5 / HEXAGON NUT / ECROU HEXAGONAL	7.311-002.0	4
9	HUELSE / SLEEVE / DOUILLE	6.961-324.0	1	46	SCHEIBE 5 / WASHER / RONDELLE	7.312-002.0	8
10	ZYL.SCHR. M 8X 35 / CHEESE HEAD SCREW / VIS A TETE CYLINDR.	7.306-044.0	2	47	BATTERIE 36AH 12V / BATTERY / BATTERIE	6.654-020.0	1
11	SCHIENE SET / RAIL / RAIL	6.961-492.0	1	48	POLABDECKUNG - / POLE COVER / COUVERCLE DU POLE	6.647-007.0	1
12	ZAHNSCHEIBE A 8,4 / LOCK WASHER / ROUE PLATE	7.312-159.0	4	49	POLABDECKUNG + / POLE COVER / COUVERCLE DU POLE	6.647-008.0	1
13	6KT-MUTTER M 8 / HEXAGON NUT / ECROU HEXAGONAL	7.311-004.0	6				
14	SCHEIBE 8 / WASHER / RONDELLE	7.312-004.0	4				
15	ZYL.SCHR. M 8X 20 / CHEESE HEAD SCREW / VIS A TETE CYLINDR.	7.306-041.0	6				
16	HANDBREMSHEBEL / BRAKE HAND LEVER / LEVIER FREIN (MAIN)	6.961-493.0	1				
17	6KT-SCHR. M 6X 12 / HEXAGONAL HEAD SCREW / VIS HEXAGONAL	7.304-382.0	6				
18	BLECHTEIL RECHTS / PLATE / TOLE	6.961-326.0	1				
19	BLECHTEIL LINKS / PLATE / TOLE	6.961-327.0	1				
20	SCHRAUBE M 6X 16 / SCREW / VIS	7.306-090.0	4				
21	SCHEIBE 6 / WASHER / RONDELLE	7.312-003.0	4				
22	FUEHRUNGSPLATTE / GUIDE PLATE / GAINÉ	6.961-328.0	1				
25	BOWDENZUG 3550MM / BOWDEN WIRE / CABLE SOUS GAINÉ	6.961-334.0	1				
26	SEILROLLE / ROPE ROLLER / POULIE	6.961-337.0	1				
27	BOLZEN 8X18 / BOLT / BOULON	6.961-329.0	1				
29	EINSTELLSCHRAUBE / SETTING SCREW / VIS D'AJUSTAGE	6.961-330.0	2				
30	FEDER / SPRING / RESSORT	6.961-331.0	2				
31	FUEHRUNGSHUELSE / SLEEVE / DOUILLE	6.961-332.0	2				
32	KLEMMHUELSE / CLAMP SLEEVE / DOUILLE DE SERRAGE	6.961-333.0	2				
33	SCHEIBE 6 / WASHER / RONDELLE	7.312-276.0	4				
34	BLINDNIET 4 / BLIND RIVET / RIVET AVEUGLE	6.315-058.0	1				
35	KABELSCHELLE / CABLE CLIP / COLLIER DE CABLE	6.905-766.0	1				
36	CHOKE / CHOKE / ETRANGLEUR	6.961-501.0	1				
37	6KT-SCHR. M 5X 20 / HEXAGONAL HEAD SCREW / VIS HEXAGONAL	7.304-464.0	2				

"=> xxxxxx" = bis Werknummer / up to serial No. / jusqu' au No. de fabr. / "xxxxxx =>" = ab Werknummer / from serial No. / a partir du No. de fabr. /

GRUPPE: 4.0 LENKSAEULE  
GROUP: 4.0 STEERING PILLAR  
GRUPPE: 4.0 COLLONNE DE DIRECTION

**A4**

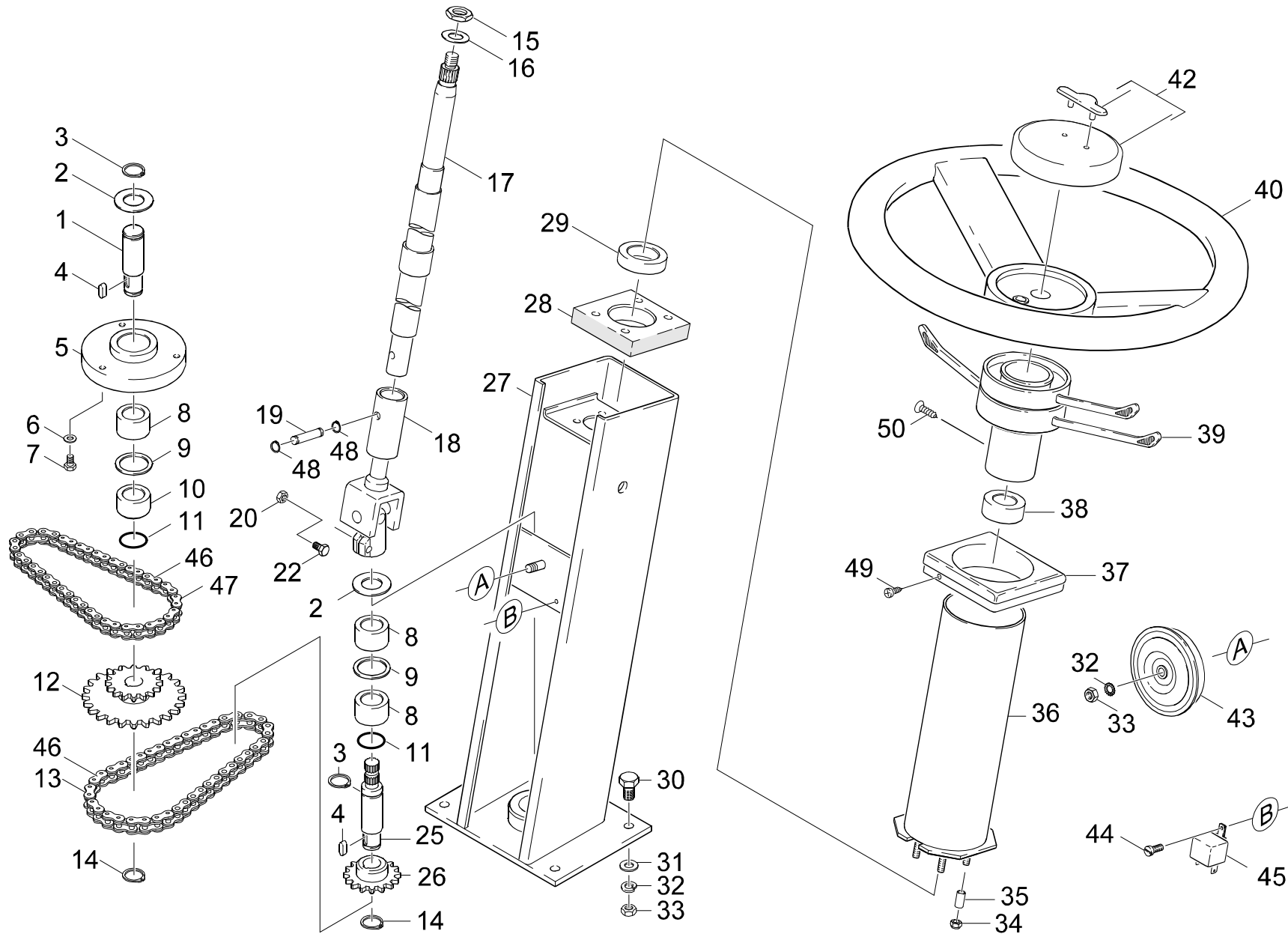
**KMR 1500 B**

**GRUPPE: 4.0 LENKSAEULE**  
**GROUP: 4.0 STEERING PILLAR**  
**GRUPPE: 4.0 COLLONNE DE DIRECTION**

GRUPPE: 4.0 LENKSAEULE  
GROUP: 4.0 STEERING PILLAR  
GRUPPE: 4.0 COLLOMNE DE DIRECTION

**B4**

**KMR 1500 B**



Symbolbeschreibung siehe M16 / symbol description see M16 / désignation de système voir M16 /

GRUPPE: 4.0 LENKSAEULE  
 GROUP: 4.0 STEERING PILLAR  
 GROUPE: 4.0 COLLOMNE DE DIRECTION

# C4

# KMR 1500 B

POS. ITM. POS.	BENNENNUNG DESCRIPTION DESIGNATION	TEILE-NR. PART-NO. NO.PIECE	STCK QTY. NBR.	POS. ITM. POS.	BENNENNUNG DESCRIPTION DESIGNATION	TEILE-NR. PART-NO. NO.PIECE	STCK QTY. NBR.
1	WELLE / SHAFT / ARBRE	6.961-377.0	1	39	BLINKERHEBEL KPL. / INDICATION LEVER / LEVIER DE CLIGNOTANT	6.961-397.0	1
2	SCHEIBE 20X37X5 / WASHER / RONDELLE	6.961-390.0	2	40	LENKRAD / STEERING WHEEL / VOLANT	6.961-387.0	1
3	S-RING A 20X 1,2 / SPRING CLIP / CIRCLIP	7.343-040.0	2	42	DRUCKTELLER HUPE / PRESSURE PLATE / PLATEAU DE PRESSION	6.439-115.0	1
4	PASSFEDER 5X 5X 14 / SPRING / RESSORT D'ADJUSTAGE	7.318-065.0	2	43	SIGNALHORN 12V / HORN / KLAXON	6.424-006.0	1
5	LAGERBOCK / BEARING BLOCK / SELLE D'APPUI	6.961-379.0	1	46	GLIED E 08B-1 / CHAIN LINK / ELEMENT DE CHAINE	7.432-005.0	2
6	SCHEIBE 6 / WASHER / RONDELLE	7.312-003.0	3	47	KETTE 1/2"X3/16" / CHAIN / CHAINE	6.961-392.0	1
7	SCHRAUBE M 6X 20 / SCREW / VIS	7.306-092.0	3	48	S-RING 8X0,8 / SPRING CLIP / CIRCLIP	7.343-014.0	2
8	LAGERBUCHSE / BEARING BUSH / COUSSINET	6.961-380.0	3	49	BL.SCHR. ST3,5X 9,5 / SHEET METAL SCREW / VIS A TOLE	7.303-062.0	2
9	S-RING 32X 1,2 / SPRING CLIP / CIRCLIP	7.343-231.0	2	50	BL.SCHR. ST4,8X16,0 / SHEET METAL SCREW / VIS A TOLE	7.303-400.0	1
10	LAGERBUCHSE / BEARING BUSH / COUSSINET	6.961-381.0	1				
11	O-RING 28,0 X 3,0 / GASKET / BAQUE D'ETANCHEITE	6.362-722.0	2				
12	RITZEL KPL. Z=12/23 / PINION / PIGNON	6.961-373.0	1				
13	KETTE 1/2"X3/16" / CHAIN / CHAINE	6.961-393.0	1				
14	S-RING 17X1 / SPRING CLIP / CIRCLIP	7.343-006.0	2				
15	6KT-MUTTER M12X1,25 / HEXAGON NUT / ECROU HEXAGONAL	7.311-169.0	1				
16	SCHEIBE 12 / WASHER / RONDELLE	7.312-008.0	1				
17	WELLE / SHAFT / ARBRE	6.961-374.0	1				
18	KARDANWELLE / CARDAN SHAFT / ARBRE CARDAN	6.961-375.0	1				
19	BOLZEN 8X37 / BOLT / BOULON	6.961-383.0	1				
20	6KT-MUTTER M 8 / HEXAGON NUT / ECROU HEXAGONAL	7.311-427.0	1				
22	6KT-SCHR. M 8X 40 / HEXAGONAL HEAD SCREW / VIS HEXAGONAL	7.304-404.0	1				
25	WELLE / SHAFT / ARBRE	6.961-376.0	1				
26	RITZEL Z=12 / PINION / PIGNON	6.961-386.0	1				
27	SAEULE UNTEN / COLUMN / COLONNE	6.961-372.0	1				
28	LAGERUNG (LENKSAEU) / BEARING APPLICATION / PALIERS	6.439-123.0	1				
29	LAGERBUCHSE / BEARING BUSH / COUSSINET	6.961-382.0	1				
30	6KT-SCHR. M 8X 25 / HEXAGONAL HEAD SCREW / VIS HEXAGONAL	7.304-399.0	4				
31	SCHEIBE 8 / WASHER / RONDELLE	7.312-004.0	4				
32	ZAHNSCHEIBE A 8,4 / LOCK WASHER / ROUE PLATE	7.312-159.0	5				
33	6KT-MUTTER M 8 / HEXAGON NUT / ECROU HEXAGONAL	7.311-004.0	5				
34	6KT-MUTTER M 6 / HEXAGON NUT / ECROU HEXAGONAL	7.311-425.0	4				
35	HUELSE / SLEEVE / DOUILLE	6.347-062.0	4				
36	SAEULE OBEN / COLUMN / COLONNE	6.961-378.0	1				
37	ABDECKUNG / COVER / CHAPEAU	6.961-385.0	1				
38	LAGERBUCHSE / BEARING BUSH / COUSSINET	6.961-384.0	1				

"=> xxxxxx" = bis Werknummer / up to serial No. / jusqu' au No. de fabr. / "xxxxxx =>" = ab Werknummer / from serial No. / a partir du No. de fabr. /

GRUPPE: 5.0 HAUBE  
GROUP: 5.0 COVER  
GRUPPE: 5.0 CAPOT

**A5**

**KMR 1500 B**

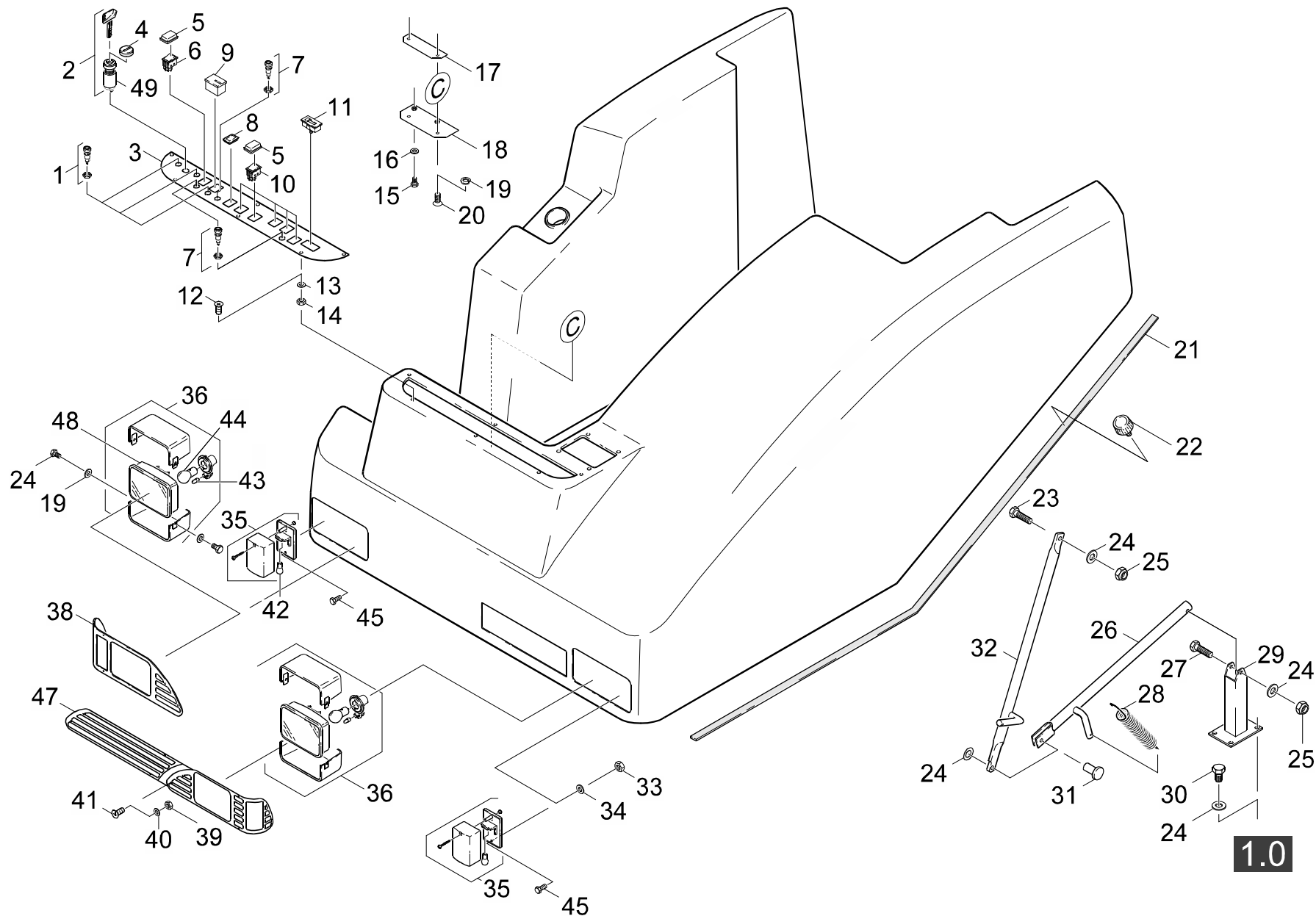
**GRUPPE: 5.0 HAUBE**  
**GROUP: 5.0 COVER**  
**GRUPPE: 5.0 CAPOT**



GRUPPE: 5.1 HAUBE  
GROUP: 5.1 COVER  
GRUPPE: 5.1 CAPOT

B5

KMR 1500 B



Symbolbeschreibung siehe M16 / symbol description see M16 / désignation de système voir M16 /

GRUPPE: 5.1 HAUBE  
 GROUP: 5.1 COVER  
 GROUPE: 5.1 CAPOT

# C5

# KMR 1500 B

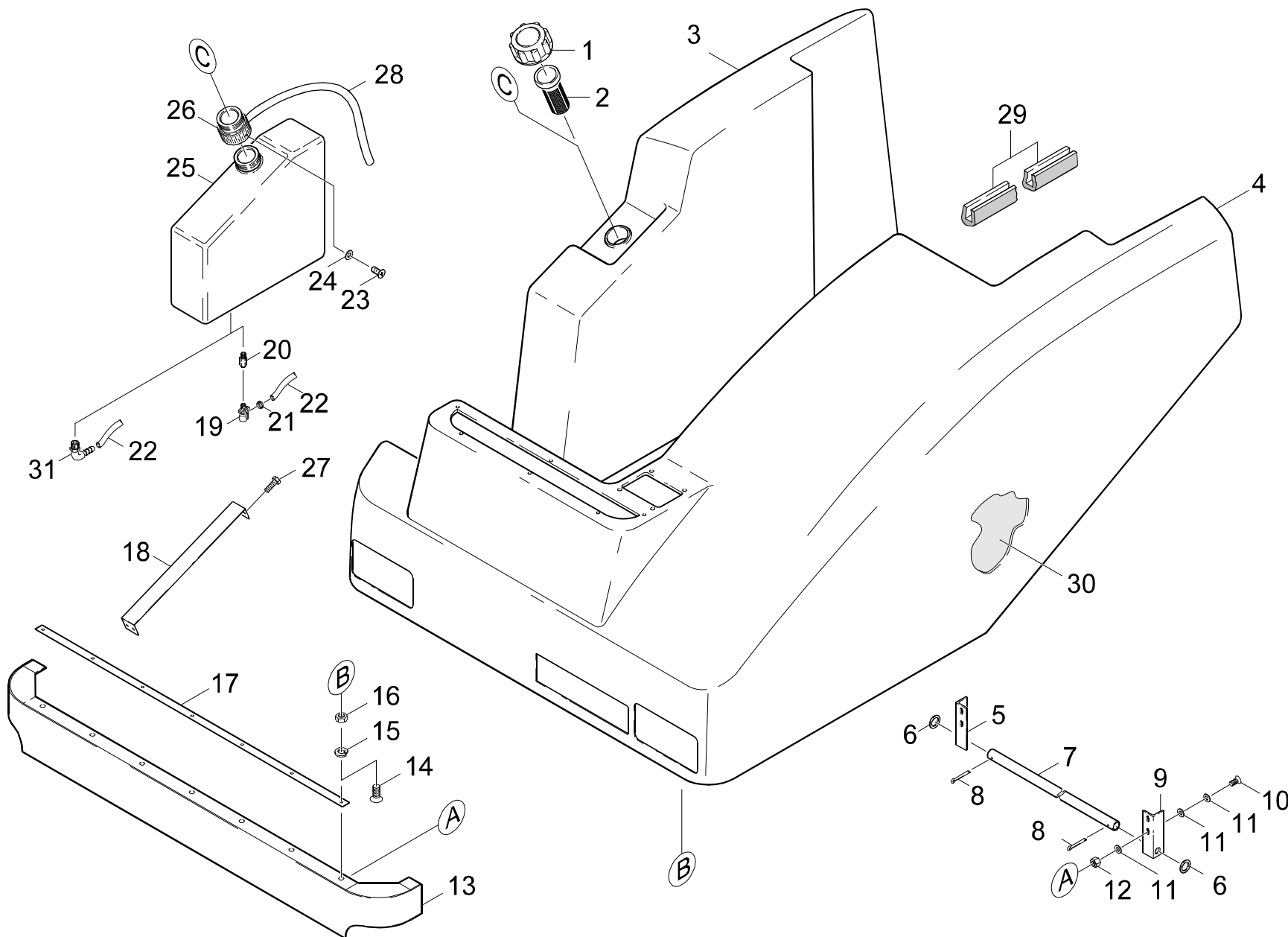
POS. ITM. POS.	BENNENNUNG DESCRIPTION DESIGNATION	TEILE-NR. PART-NO. NO.PIECE	STCK QTY. NBR.	POS. ITM. POS.	BENNENNUNG DESCRIPTION DESIGNATION	TEILE-NR. PART-NO. NO.PIECE	STCK QTY. NBR.
1	SIGNALLEUCHE ROT / PILOT LAMP / LAMPE TEMOIN	6.651-374.0	3	33	6KT-MUTTER M 5 / HEXAGON NUT / ECROU HEXAGONAL	7.311-002.0	8
2	ZUENDSCHLOSS KPL. / IGNITION LOCK / SERRURE DE CONTACT	6.961-533.0	1	34	SCHEIBE 5 / WASHER / RONDELLE	7.312-002.0	8
3	INSTRUMENTENTAFEL / CONTROL PANEL / TABLEAU DE BORD	6.961-239.0	1	35	BLINKLEUCHE / FLASHING LAMP / CLIGNOTANT FEU ROUGE	6.961-536.0	2
4	ABDECKKAPPE / CAP / CHAPE	6.961-241.0	1	36	SCHEINWERFER / REFLECTOR / PROJECTEUR	6.961-412.0	2
5	SCHUTZKAPPE / PROTECTIVE CAP / CAPOT PROTECTION	6.631-666.0	7	38	BLLENDE RECHTS / SCREEN / ECRAN	6.961-250.0	2
6	SCHALTER 2-POLIG / SWITCH / INTERRUPTEUR	6.630-005.0	1	39	6KT-MUTTER M 3 / HEXAGON NUT / ECROU HEXAGONAL	7.311-000.0	16
7	TASTER / CALIPER / BOUTON POUSSOIR	6.634-208.0	3	40	SCHEIBE 3 / WASHER / RONDELLE	7.312-043.0	16
8	ABDECKKAPPE / CAP / CHAPE	6.905-772.0	1	41	SENKSCHR. M 3X 12 / FLAT HEADED SCREW / VIS A TETE CONIQUE	7.305-003.0	16
9	SCHALTER "WARNBLINK" / SWITCH / INTERRUPTEUR	6.961-531.0	1	42	GLUEHLAMPE P21W / LAMP BULB / AMPOULE	7.651-014.0	2
10	TASTER / CALIPER / BOUTON POUSSOIR	6.961-530.0	5	43	GLUEHLAMPE T4W/BA9S / LAMP BULB / AMPOULE	7.651-004.0	2
11	BETRIEBSSTUNDENZAEL. / HOUR METRE / COMPTEUR HORRAIRE	6.681-056.0	1	44	GLUEHLAMPE S1/BA20D / LAMP BULB / AMPOULE	7.651-020.0	2
12	SENKSCHR. M 4X 16 / FLAT HEADED SCREW / VIS A TETE CONIQUE	7.305-023.0	6	45	6KT-SCHR. M 5X 16 / HEXAGONAL HEAD SCREW / VIS HEXAGONAL	7.304-372.0	4
13	SCHEIBE 4 / WASHER / RONDELLE	7.312-001.0	7	47	BLLENDE LINKS / SCREEN / ECRAN	6.961-537.0	1
14	6KT-MUTTER M 6 / HEXAGON NUT / ECROU HEXAGONAL	7.311-003.0	6	48	SCHEINWERFER / REFLECTOR / PROJECTEUR	6.961-262.0	2
15	SENKSCHR. M 6X 20 / FLAT HEADED SCREW / VIS A TETE CONIQUE	7.305-063.0	9	49	VERSCHRAUBUNG / SCREW CONNECTOR / RACCORD A VIS	6.961-114.0	1
16	FAECHERSCHEIBE A6,4 / SERRATED LOCK WASHER / RONDELLE A EVENTAIL	7.312-232.0	9				
17	BLECHTEIL / PLATE / TOLE	6.961-256.0	1				
18	BLECHTEIL KPL. / PLATE / TOLE	6.961-248.0	1				
19	SCHEIBE 6 / WASHER / RONDELLE	7.312-276.0	12				
20	SCHRAUBE M 6X 16 / SCREW / VIS	7.306-090.0	8				
21	SCHAUMBAND PE 25X3 / STRAP / ATTACHE	6.273-110.0	1				
22	SCHRAUBE M 8X 20 / SCREW / VIS	6.961-538.0	2				
23	SCHRAUBE M 6X 20 / SCREW / VIS	7.306-092.0	1				
24	SCHEIBE 6 / WASHER / RONDELLE	7.312-003.0	3				
25	6KT-MUTTER M 6 / HEXAGON NUT / ECROU HEXAGONAL	7.311-512.0	2				
26	STANGE / BAR / TIGE	6.961-496.0	1				
27	6KT-SCHR. M 6X 35 / HEXAGONAL HEAD SCREW / VIS HEXAGONAL	7.304-388.0	1				
28	FEDER / SPRING / RESSORT	6.330-034.0	1				
29	LAGERBOCK / BEARING BLOCK / SELLE D'APPUI	6.961-497.0	1				
30	6KT-SCHR. M 6X 12 / HEXAGONAL HEAD SCREW / VIS HEXAGONAL	7.304-382.0	1				
31	NIET 6X 16 / RIVET / RIVET	6.961-495.0	1				
32	STANGE / BAR / TIGE	6.961-494.0	1				

"=> xxxxxx" = bis Werknummer / up to serial No. / jusqu' au No. de fabr. / "xxxxxx =>" = ab Werknummer / from serial No. / a partir du No. de fabr. /

GRUPPE: 5.2 HAUBE  
GROUP: 5.2 COVER  
GRUPPE: 5.2 CAPOT

D5

KMR 1500 B



Symbolbeschreibung siehe M16 / symbol description see M16 / désignation de système voir M16 /

GRUPPE: 5.2 HAUBE  
GROUP: 5.2 COVER  
GROUPE: 5.2 CAPOT

E5

KMR 1500 B

POS. ITM. POS.	BENNENNUNG DESCRIPTION DESIGNATION	TEILE-NR. PART-NO. NO.PIECE	STCK QTY. NBR.
1	TANKDECKEL / CAP OF A TANK / BOUCHON DE RESERVOIR	6.961-261.0	1
2	FILTER / FILTER / FILTRE	6.961-268.0	1
3	VERKLEIDUNG RECHTS / COVER / CARROSSAGE	6.961-389.0	1
4	HAUBE MIT SCHRIFTZ. / COVER / CAPOT	6.961-237.0	1
5	WINKEL LINKS / ANGLE / ANGLE	6.961-260.0	1
6	SCHEIBE 16 / WASHER / RONDELLE	7.312-019.0	2
7	ROHR / PIPE / TUYAU	5.029-029.0	1
8	SPLINT 2,0X 20 / COTTER / GOUPILLE FENDUE	7.316-333.0	2
9	WINKEL RECHTS / ANGLE / ANGLE	6.961-259.0	1
10	SENKSCHR. M 6X 30 / FLAT HEADED SCREW / VIS A TETE CONIQUE	7.305-258.0	4
11	SCHEIBE 6 / WASHER / RONDELLE	7.312-276.0	3
12	6KT-MUTTER M 6 / HEXAGON NUT / ECROU HEXAGONAL	7.311-512.0	1
13	STOSSTANGE / BUMPER / PARE-CHOCS	6.961-246.0	1
14	SENKSCHR. M 6X 20 / FLAT HEADED SCREW / VIS A TETE CONIQUE	7.305-063.0	7
15	FAECHERSCHEIBE A6,4 / SERRATED LOCK WASHER / RONDELLE A EVENTAIL	7.312-232.0	7
16	6KT-MUTTER M 6 / HEXAGON NUT / ECROU HEXAGONAL	7.311-003.0	7
17	LEISTE / STRIP / BAGUETTE	6.961-257.0	1
18	LAGERBOCK / BEARING BLOCK / SELLE D'APPUI	6.961-535.0	1
19	BENZINHAHN / TAP / ROBINET	6.961-264.0	1
	/ => <b>10067</b>		
20	REDUZIERSTUECK / REDUCER / REDUCTEUR	6.961-255.0	1
	/ => <b>10067</b>		
21	SCHLAUCHKLEMME / HOSE CLAMP / PINCE TUYAU SOUPLE	6.961-541.0	2
22	SCHLAUCH / HOSE / TUYAU FLEXIBLE	6.961-540.0	1
23	ZYL.SCHR. M 4X 6 / CHEESE HEAD SCREW / VIS A TETE CYLINDR.	7.306-426.0	1
24	SCHEIBE 4 / WASHER / RONDELLE	7.312-001.0	1
25	KRAFTSTOFFTANK / FUEL TANK / RESERVOIR CARBURANT	6.961-539.0	1
26	STUTZEN / CONNECTION PIECE / TUBULURE	6.961-258.0	1
27	6KT-SCHR. M 5X 16 / HEXAGONAL HEAD SCREW / VIS HEXAGONAL	7.304-372.0	8
28	LEITUNG / CABLE / CABLE D'ALIMENTAT.	6.961-542.0	1
29	PROFILDICHTUNG / SEAL / ETOUPE PROFILE	6.903-446.0	1
30	ISOLIERMATTE / INSULATTING MAT / TAPIS ISOLANTE	6.961-267.0	1
31	WINKELSTUECK KPL. / ANGLE PIECE / PIECE D'ANGLE	6.905-927.0	1
	<b>10068 =&gt;</b>		

"=> xxxxxx" = bis Werknummer / up to serial No. / jusqu' au No. de fabr. / "xxxxxx =>" = ab Werknummer / from serial No. / a partir du No. de fabr. /

GRUPPE: 6.0 ANTRIEB  
GROUP: 6.0 ACTUATION  
GRUPPE: 6.0 ENTRAINEMENT

**A6**

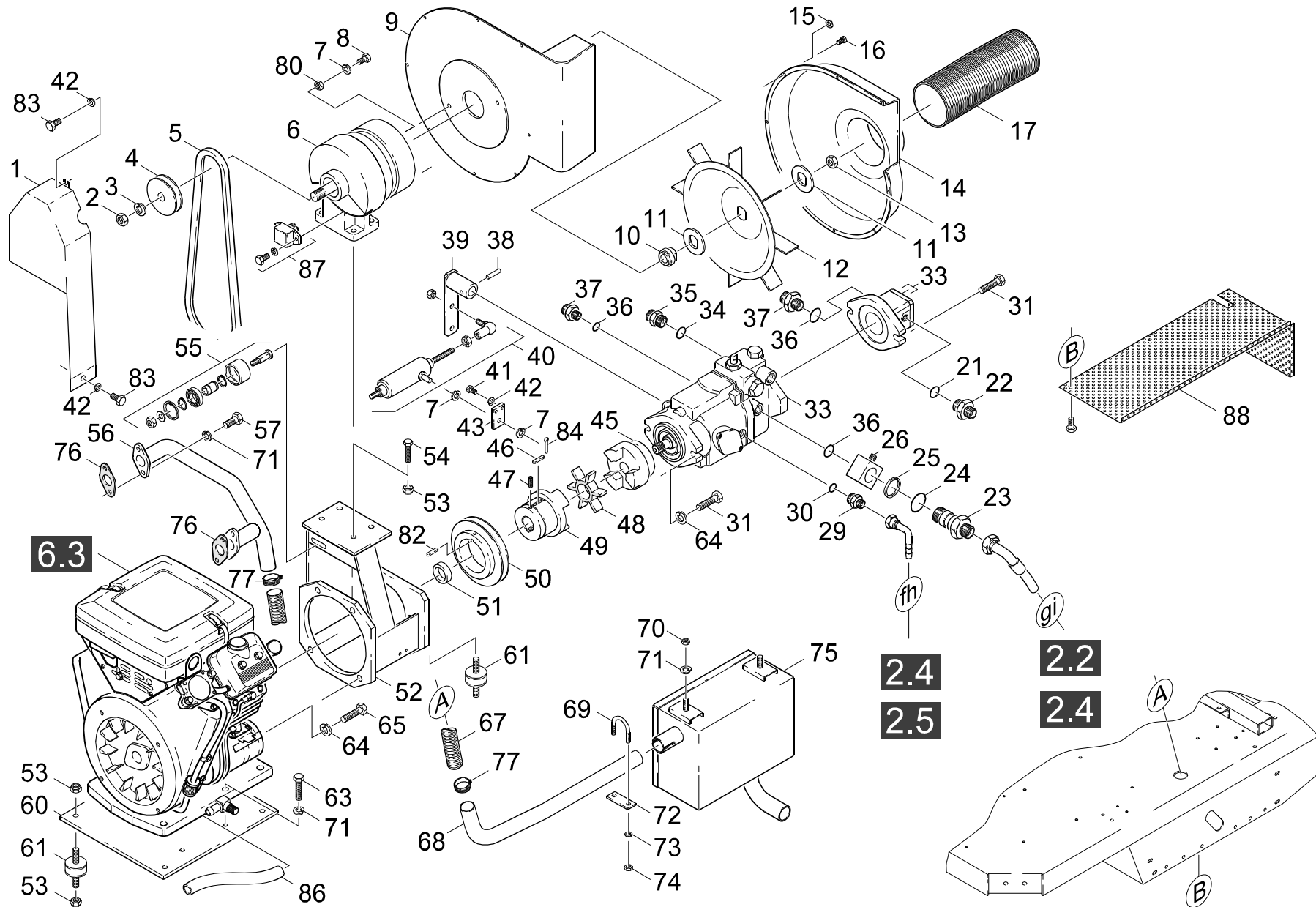
**KMR 1500 B**

**GRUPPE: 6.0 ANTRIEB**  
**GROUP: 6.0 ACTUATION**  
**GRUPPE: 6.0 ENTRAINEMENT**

GRUPPE: 6.1 ANTRIEB  
GROUP: 6.1 ACTUATION  
GRUPPE: 6.1 ENTRAINEMENT

B6

KMR 1500 B



Symbolbeschreibung siehe M16 / symbol description see M16 / désignation de système voir M16 /

GRUPPE: 6.1 ANTRIEB  
 GROUP: 6.1 ACTUATION  
 GROUPE: 6.1 ENTRAINEMENT

# C6

# KMR 1500 B

POS. ITM. POS.	BENNENNUNG DESCRIPTION DESIGNATION	TEILE-NR. PART-NO. NO.PIECE	STCK QTY. NBR.	POS. ITM. POS.	BENNENNUNG DESCRIPTION DESIGNATION	TEILE-NR. PART-NO. NO.PIECE	STCK QTY. NBR.
1	SCHUTZBLECH / GUARD PLATE / TOLE DE PROTECTION	6.961-169.0	1	42	ZAHNSCHEIBE A 5,3 / LOCK WASHER / ROUE PLATE	7.312-172.0	6
2	6KT-MUTTER M12X1,25 / HEXAGON NUT / ECROU HEXAGONAL	7.311-435.0	1	43	BLECH / PLATE / TOLE	6.961-180.0	1
3	FEDERSCHEIBE B 12,0 / SPRING WASHER / RONDELLE ELAST.	7.312-301.0	1	45	KUPPLUNGSTEIL / COUPLING ELEMENT / PIECE D'ACCOUPL.	6.961-175.0	1
4	RIEMENSCHLEIBE / PULLEY / POULIE	5.625-302.0	1	46	PASSFEDER / SPRING / RESSORT D'ADJUSTAGE	6.905-721.0	1
5	S-K-RIEMEN XPZ 862 / V-BELT / COURROIE TRAPEZOID	7.348-228.0	1	47	GEW.STIFT M 6X 10 / THREADED PIN / VIS SANS TETE	7.307-192.0	1
6	LICHTMASCHINE / DYNAMO / DYNAMO	6.961-165.0	1	48	GUMMI / RUBBER / CAOUTCHOUC	6.961-201.0	1
7	SCHEIBE 6 / WASHER / RONDELLE	7.312-003.0	4	49	KUPPLUNGSTEIL / COUPLING ELEMENT / PIECE D'ACCOUPL.	6.961-176.0	1
8	SCHRAUBE M 6X 20 / SCREW / VIS	7.306-092.0	2	50	RIEMENSCHLEIBE / PULLEY / POULIE	6.961-178.0	1
9	ABDECKBLECH / COVER PLATE / TOLE DE PROTECTION	6.961-163.0	1	51	BUCHSE / BUSH / DOUILLE	6.961-177.0	1
10	BUCHSE / BUSH / DOUILLE	6.961-162.0	1	52	GEHAEUSE / HOUSING / BOITIER	6.961-166.0	1
11	DISTANZSCHEIBE / SPACER / DISQUE	6.312-046.0	2	53	6KT-MUTTER M 8 / HEXAGON NUT / ECROU HEXAGONAL	7.311-427.0	12
12	GEBLAESERAD / BLOWER WHEEL / ROUE DE VENTILATEUR	6.484-257.0	1	54	6KT-SCHR. M 8X 30 / HEXAGONAL HEAD SCREW / VIS HEXAGONAL	7.304-400.0	4
13	SCHEIBE / WASHER / RONDELLE	6.312-037.0	1	55	SPANNROLLE KPL. / ADJUSTER / GALET TENDEUR	6.961-171.0	1
14	GEHAEUSE / HOUSING / BOITIER	6.961-164.0	1	56	AUSPUFFKRUEMMER / ELBOW / COUDE	5.462-053.0	1
15	SCHEIBE 4 / WASHER / RONDELLE	7.312-001.0	8	57	6KT-SCHR. M 8X 20 / HEXAGONAL HEAD SCREW / VIS HEXAGONAL	7.304-397.0	4
16	SCHRAUBE M 4X 8 / SCREW / VIS	7.306-056.0	8	60	PLATTE / PLATE / PLAQUE	6.961-173.0	1
17	LUFTSCHLAUCH / AIR HOSE / TUYAU FLEXIBLE A AIR	6.903-381.0	1	61	GUMMIPUFFER / RUBBER BUFFER / BUTOIR CAOUTCHOUC	6.961-197.0	4
21	O-RING 19,3 X 2,4 / GASKET / BAQUE D'ETANCHEITE	6.362-161.0	1	63	6KT-SCHR. M 8X 40 / HEXAGONAL HEAD SCREW / VIS HEXAGONAL	7.304-404.0	4
22	DOPPELNIPPEL / DOUBLE NIPPLE / NIPPLE DOUBLE	6.961-185.0	1	64	FEDERSCHLEIBE B 10,0 / SPRING WASHER / RONDELLE ELAST.	7.312-302.0	6
23	DOPPELNIPPEL / DOUBLE NIPPLE / NIPPLE DOUBLE	6.961-182.0	1	65	SCHRAUBE / SCREW / VIS	6.961-174.0	4
24	O-RING 23,47X 2,62 / GASKET / BAQUE D'ETANCHEITE	6.362-644.0	1	67	ABGASSCHLAUCH / FLEXIBLE TUBE / TUYAU FLEXIBLE	6.961-199.0	1
25	DICHRING / JOINT RING / BAGUE D'ETANCHEITE	6.961-183.0	1	68	AUSPUFFROHR / EXHAUST PIPE / TUYAU D'ECHAPPEMENT	6.961-188.0	1
26	ANSCHLUSSTEIL / CONNECTING PIECE / PIECE DE RACCORD	6.961-181.0	1	69	BUEGEL / STRAP / ETRIER	6.961-219.0	1
29	DOPPELNIPPEL / DOUBLE NIPPLE / NIPPLE DOUBLE	6.961-187.0	1	70	6KT-MUTTER M 8 / HEXAGON NUT / ECROU HEXAGONAL	7.311-004.0	2
30	O-RING 12,0 X 2,0 / GASKET / BAQUE D'ETANCHEITE	6.362-169.0	1	71	ZAHNSCHLEIBE A 8,4 / LOCK WASHER / ROUE PLATE	7.312-159.0	10
31	6KT-SCHR. M10X 30 / HEXAGONAL HEAD SCREW / VIS HEXAGONAL	7.304-417.0	2	72	BLECHTEIL / PLATE / TOLE	6.961-234.0	1
33	PUMPE KPL. / PUMP / POMPE	6.961-202.0	1	73	ZAHNSCHLEIBE A 6,4 / LOCK WASHER / ROUE PLATE	7.312-165.0	2
34	O-RING 15,3 X 2,4 / GASKET / BAQUE D'ETANCHEITE	6.362-153.0	1	75	AUSPUFFTOPF / EXHAUST BOX / POT D'ECHAPPEMENT	6.961-167.0	1
35	DOPPELNIPPEL / DOUBLE NIPPLE / NIPPLE DOUBLE	6.961-186.0	1	76	AUSPUFFDICHTUNG / EXHAUST SEAL / JOINT	6.491-295.0	2
36	O-RING 23,2 X 3,0 / GASKET / BAQUE D'ETANCHEITE	6.961-193.0	3	77	AUSPUFFSCHELLE / EXHAUST CLAMP / COLLIER TUYAU ECHAPPEMENT	6.961-604.0	2
37	DOPPELNIPPEL / DOUBLE NIPPLE / NIPPLE DOUBLE	6.961-184.0	2	80	6KT-MUTTER M 6 / HEXAGON NUT / ECROU HEXAGONAL	7.311-003.0	2
38	BOLZEN / BOLT / BOULON	6.961-190.0	1	82	PASSFEDER 5X 5X 20 / SPRING / RESSORT D'ADJUSTAGE	7.318-070.0	1
39	HEBEL / LEVER / LEVIER	6.961-170.0	1	83	ZYL.SCHR. M 5X 10 / CHEESE HEAD SCREW / VIS A TETE CYLINDR.	7.306-447.0	4
40	NULLSTELLVORRICHT. / APPLICATION ZERO / APPLICATION DE POS.NEUTRE	6.961-159.0	1	85	SPLINT 2,0X 20 / COTTER / GOUPILLE FENDUE	7.316-333.0	1
41	6KT-SCHR. M 5X 16 / HEXAGONAL HEAD SCREW / VIS HEXAGONAL	7.304-372.0	2				

"=> xxxxxx" = bis Werknummer / up to serial No. / jusqu' au No. de fabr. / "xxxxxx =>" = ab Werknummer / from serial No. / a partir du No. de fabr. /

GRUPPE: 6.1 ANTRIEB  
GROUP: 6.1 ACTUATION  
GRUPPE: 6.1 ENTRAINEMENT

D6

KMR 1500 B

POS.	BENNENNUNG	TEILE-NR.	STCK
ITM.	DESCRIPTION	PART-NO.	QTY.
POS.	DESIGNATION	NO.PIECE	NBR.
86	SCHLAUCH / HOSE / TUYAU FLEXIBLE	6.961-236.0	1
87	LADEREGLER / CONTROL DEVICE / REGULATEUR	6.961-266.0	1
88	HITZESCHUTZ / HEAT PROTECTION / PROTECTION THERMIQUE	6.961-191.0	1

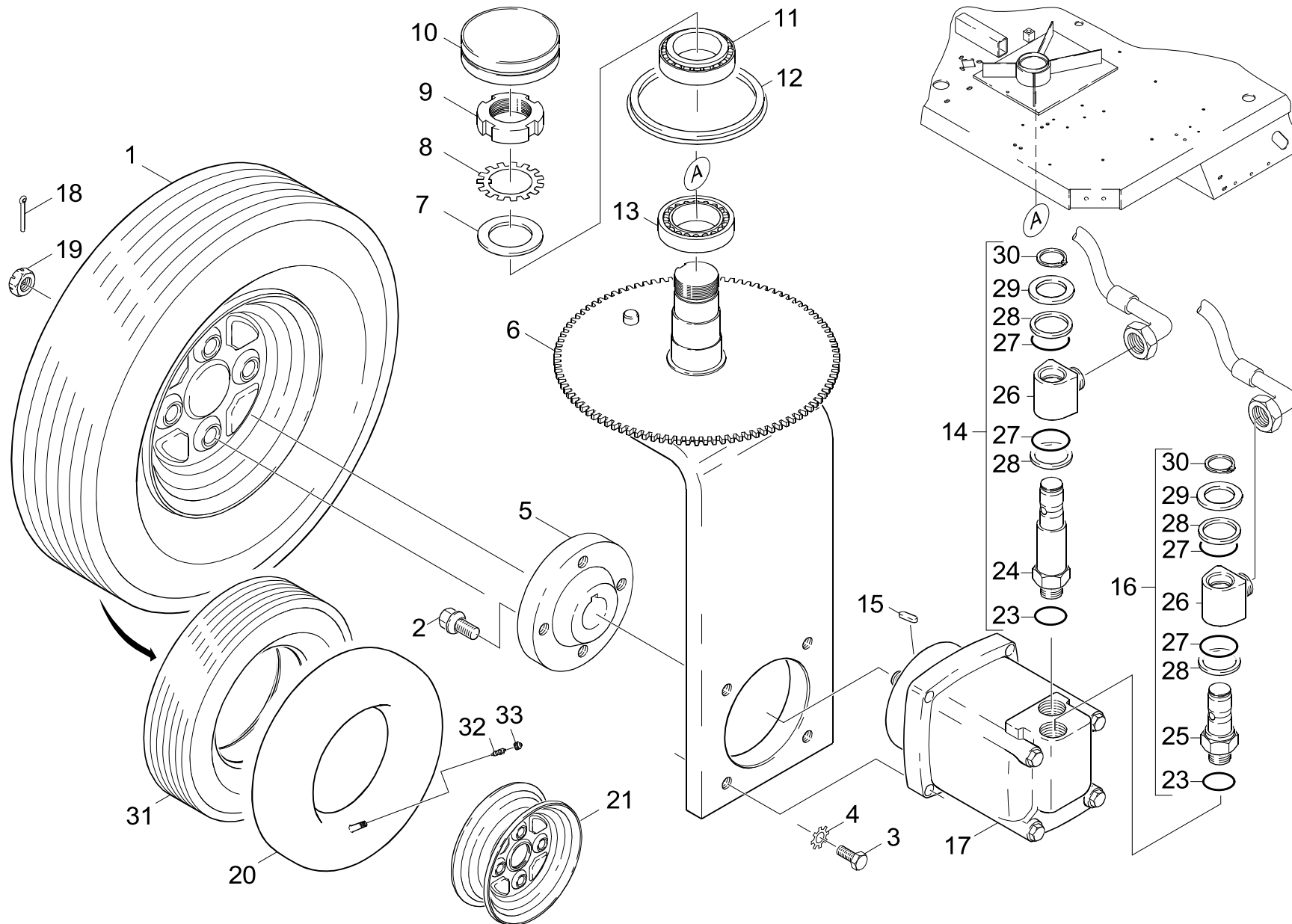
"=> xxxxxx" = bis Werknummer / up to serial No. / jusqu' au No. de fabr. / "xxxxxx =>" = ab Werknummer / from serial No. / a partir du No. de fabr. /



GRUPPE: 6.2 FAHRANTRIEB  
GROUP: 6.2 TRACTION MOTOR  
GRUPPE: 6.2 ENTRAINEMENT

E6

KMR 1500 B



Symbolbeschreibung siehe M16 / symbol description see M16 / désignation de système voir M16 /

GRUPPE: 6.2 FAHRANTRIEB  
 GROUP: 6.2 TRACTION MOTOR  
 GROUPE: 6.2 ENTRAINEMENT

**F6**

**KMR 1500 B**

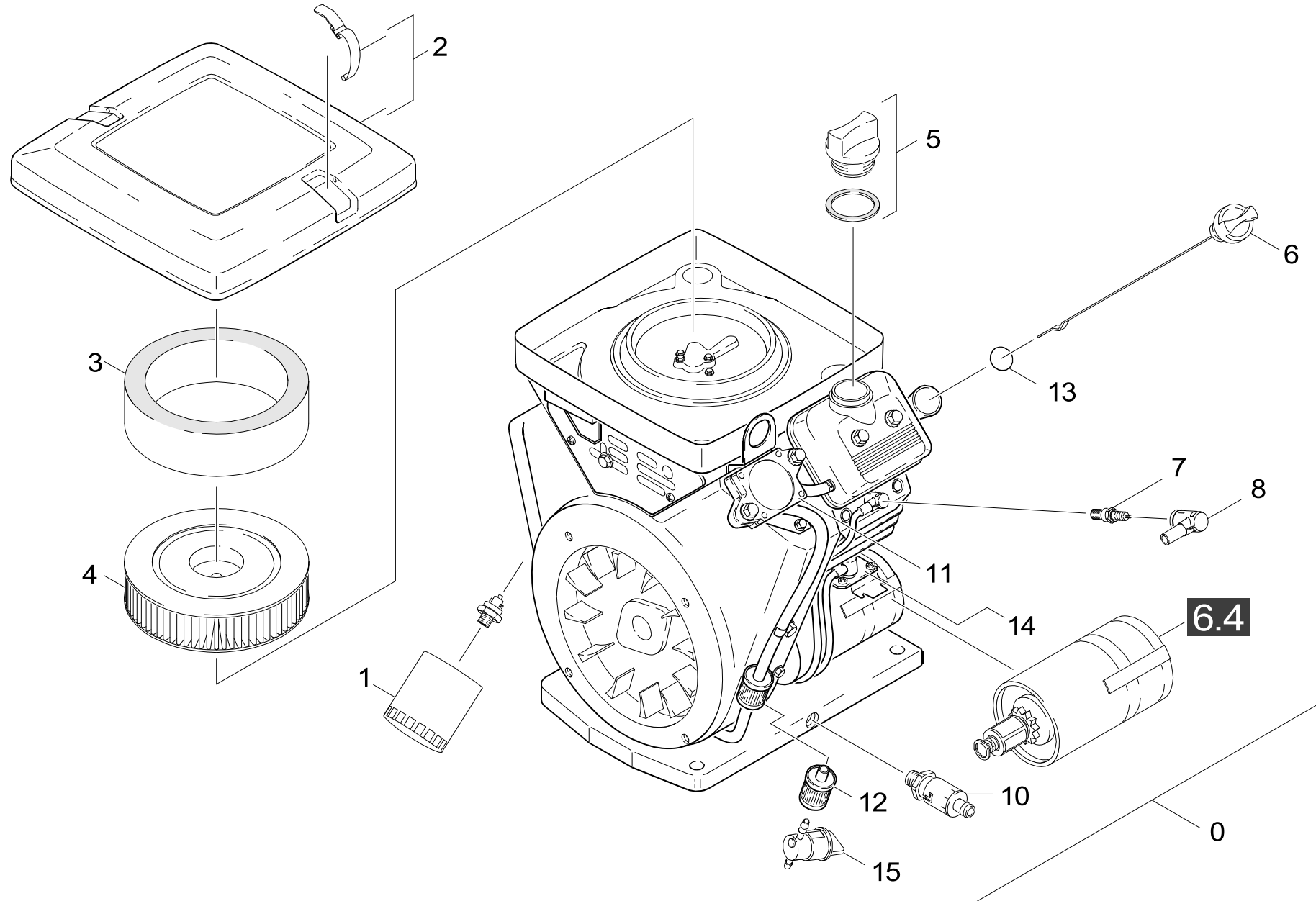
POS. ITM. POS.	BENNENNUNG DESCRIPTION DESIGNATION	TEILE-NR. PART-NO. NO.PIECE	STCK QTY. NBR.	POS. ITM. POS.	BENNENNUNG DESCRIPTION DESIGNATION	TEILE-NR. PART-NO. NO.PIECE	STCK QTY. NBR.
1	RAD KPL. / WHEEL / ROUE	4.515-034.0	1	33	VENTILKAPPE / VALVE CAP / CAPUCHON DE VALVE	6.412-710.0	1
2	RADSCHRAUBE G12X21 / SCREW / VIS	7.304-012.0	4				
3	6KT-SCHR. M12X 40 / HEXAGONAL HEAD SCREW / VIS HEXAGONAL	7.304-134.0	4				
4	ZAHNSCHEIBE A 13,0 / LOCK WASHER / ROUE PLATE	7.312-161.0	4				
5	FLANSCH / FLANGE / BRIDE	5.122-302.0	1				
6	RADAUFHAENGUNG / WHEEL SUSPENSION / SUSPENSION DE LA ROUE	6.961-401.0	1				
7	SCHEIBE 40,2X60X3 / WASHER / RONDELLE	6.961-404.0	1				
8	SICHERUNGSBLECH MB8 / LOCKING PLATE / TOLE DE SURETE	7.343-700.0	1				
9	NUTMUTTER KM8 / NUT / ECROU	7.310-100.0	1				
10	KAPPE / CAP / CAPUCHON	6.961-402.0	1				
11	ROLLENLAGER 30208 / CYLINDER BEARING / ROULEMENT	7.401-302.0	1				
12	DICHTRING / JOINT RING / BAGUE D'ETANCHEITE	6.961-410.0	1				
13	ROLLENLAGER 30209 / CYLINDER BEARING / ROULEMENT	7.401-301.0	1				
14	DREHDURCHFUEHRUNG / ROTARY TRANSMIS. LEADTHR. / PASSAGE TOURNANT	4.215-018.0	1				
15	PASSFEDER / SPRING / RESSORT D'ADJUSTAGE	6.961-406.0	1				
16	DREHDURCHFUEHRUNG / ROTARY TRANSMIS. LEADTHR. / PASSAGE TOURNANT	4.215-017.0	1				
17	DICHTUNGSSATZ III / SET OF GASKETS / ASSORTIMENT DE JOINTS <b>/ 6.961-405.0</b>	6.365-452.0	1				
17	MOTOR HYDRO. EATON / MOTOR / MOTEUR	6.961-405.0	1				
18	SPLINT 4,0X 50 / COTTER / GOUPILLE FENDUE	7.316-354.0	1				
19	KRON.MUTTER 1-20 / CASTEL NUT / ECROU CRENELE	6.961-407.0	1				
20	SCHLAUCH / HOSE / TUYAU FLEXIBLE	6.961-008.0	1				
21	RAD KPL. / WHEEL / ROUE	6.435-408.0	1				
23	O-RING 19,3 X 2,4 / GASKET / BAQUE D'ETANCHEITE	6.362-161.0	2				
24	HOHLSCHRAUBE GROSS / HOLLOW SCREW / BOULON CREUX	6.961-418.0	1				
25	HOHLSCHRAUBE KLEIN / HOLLOW SCREW / BOULON CREUX	6.961-408.0	1				
26	VERSCHRAUBUNG / SCREW CONNECTOR / RACCORD A VIS	6.961-409.0	2				
27	O-RING 22,2 X 3 / GASKET / BAQUE D'ETANCHEITE	6.961-543.0	4				
28	STUETZRING / SUPPORTRING / BAGUE D'APPUI	6.961-544.0	4				
29	DISTANZRING / SPACER RING / BAGUE D'ECARTEMENT	6.961-545.0	2				
30	S-RING A 20X 1,2 / SPRING CLIP / CIRCLIP	7.343-040.0	2				
31	REIFEN 4.00-8 8PR / TIRE / PNEUS	6.435-405.0	1				
32	VENTIL / VALVE / SOUPEPE	6.412-709.0	1				

"=> xxxxxx" = bis Werknummer / up to serial No. / jusqu' au No. de fabr. / "xxxxxx =>" = ab Werknummer / from serial No. / a partir du No. de fabr. /

GRUPPE: 6.3 MOTOR  
GROUP: 6.3 MOTOR  
GRUPPE: 6.3 MOTEUR

G6

KMR 1500 B



Symbolbeschreibung siehe M16 / symbol description see M16 / désignation de système voir M16 /

GRUPPE: 6.3 MOTOR  
GROUP: 6.3 MOTOR  
GROUPE: 6.3 MOTEUR

H6

KMR 1500 B

POS. ITM. POS.	BENNENUNG DESCRIPTION DESIGNATION	TEILE-NR. PART-NO. NO.PIECE	STCK QTY. NBR.
0	MOTOR KPL. / MOTOR / MOTEUR	4.623-323.0	1
1	OELFILTERKARTUSCHE / CARTOUCHE / CARTOUCHE	6.491-285.0	1
2	DECKEL / COVER / COUVERCLE	6.961-479.0	1
3	FILTEREINSATZ / FILTER CARTRIDGE / CARTOUCHE FILTRANTE	6.961-480.0	1
4	LUFTFILTER / AIR FILTER / FILTRE A AIR	6.961-481.0	1
5	VERSCHLUSSCHRAUBE / CLOSING SCREW / VIS DE FERMETURE	6.961-482.0	1
6	OELMESSTAB / OIL DIP ROD / JAUGE NIVEAU D'HUILE	6.491-287.0	1
7	ZUENDKERZE / IGNITION PLUG / BOUGIE D'ALLUMAGE	6.491-250.0	2
8	KERZENSTECKER / SPARK PLUG SOCKET / COSSE DE BOUGIE	6.961-485.0	1
10	ABLASSHAHN / DRAIN COCK / ROBINET DE VIDANGE	6.961-487.0	1
11	KRAFTSTOFFPUMPE / FUEL PUMP / POMPE DE CARBURANT	6.961-488.0	1
12	BENZINFILTER / GASOLINE FILTER / FILTRE D'ESSENCE	6.491-220.0	1
13	O-RING / GASKET / BAQUE D'ETANCHEITE	6.491-288.0	1
14	MAGNETSCHALTER / SOLE NOID SWITCH / INTERRUPTEUR MAGNETIQUE	6.961-607.0	1
15	KRAFTSTOFFHAHN / FUEL COCK / ROBINET CARBURANT	6.970-156.0	1

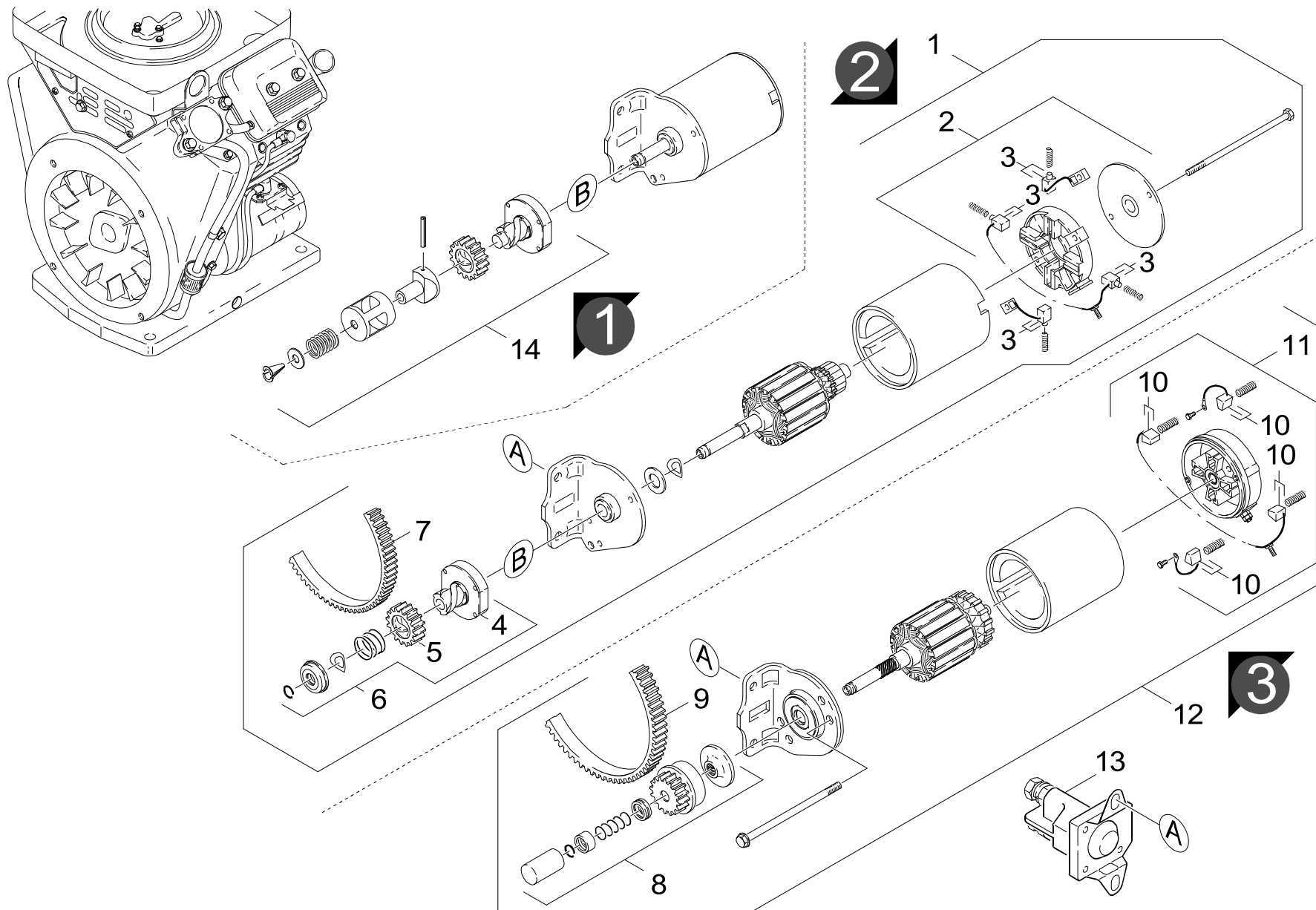
10068 =>

"=> xxxxxx" = bis Werknummer / up to serial No. / jusqu' au No. de fabr. / "xxxxxx =>" = ab Werknummer / from serial No. / a partir du No. de fabr. /

GRUPPE: 6.4 ANLASSER  
GROUP: 6.4 STARTER  
GRUPPE: 6.4 DEMARREUR

16

KMR 1500 B



Symbolbeschreibung siehe M16 / symbol description see M16 / désignation de système voir M16 /

GRUPPE: 6.4 ANLASSER  
GROUP: 6.4 STARTER  
GROUPE: 6.4 DEMARREUR

J6

KMR 1500 B

POS. ITM. POS.	BENNENUNG DESCRIPTION DESIGNATION	TEILE-NR. PART-NO. NO.PIECE	STCK QTY. NBR.
1	ANLASSER / STARTER / DEMARREUR	6.961-486.0	1
2	PLATTE M. BUERSTEN / PLATE / PLAQUE	6.961-868.0	1
3	KOHLEBUERSTENSET / CARBON BRUSH SET / CHARBONS	6.961-869.0	1
4	SCHNECKE / WORM / SCHNECKE	6.961-870.0	1
5	RITZEL 16 ZAEHNE / PINION / PIGNON	6.961-867.0	1
6	RITZELSET 16 ZAEHNE / PINION SET / RITZELSET 16 ZAEHNE	6.961-866.0	1
7	ZAHNKRANZ / GEAR RIM / GRAND PIGNON	6.961-871.0	1
8	RITZELSET 15 ZAEHNE / PINION SET / RITZELSET 15 ZAEHNE	6.961-862.0	1
9	ZAHNKRANZ / GEAR RIM / GRAND PIGNON	6.961-865.0	1
10	KOHLEBUERSTENSET / CARBON BRUSH SET / CHARBONS	6.961-864.0	1
11	PLATTE M. BUERSTEN / PLATE / PLAQUE	6.961-863.0	1
12	ANLASSER B&S 808106 / STARTER / DEMARREUR	6.491-613.0	1
13	MAGNETSCHALTER / SOLE NOID SWITCH / INTERRUPTEUR MAGNETIQUE	6.961-607.0	1
14	ANLASSERRITZEL / STARTER PINION / PIGNON DE DEMARREUR	4.623-223.0	1

"=> xxxxxx" = bis Werknummer / up to serial No. / jusqu' au No. de fabr. / "xxxxxx =>" = ab Werknummer / from serial No. / a partir du No. de fabr. /

GRUPPE: 7.0 HINTERACHSE  
GROUP: 7.0 REAR AXLE  
GRUPPE: 7.0 AXE D'ARRIERE

**A7**

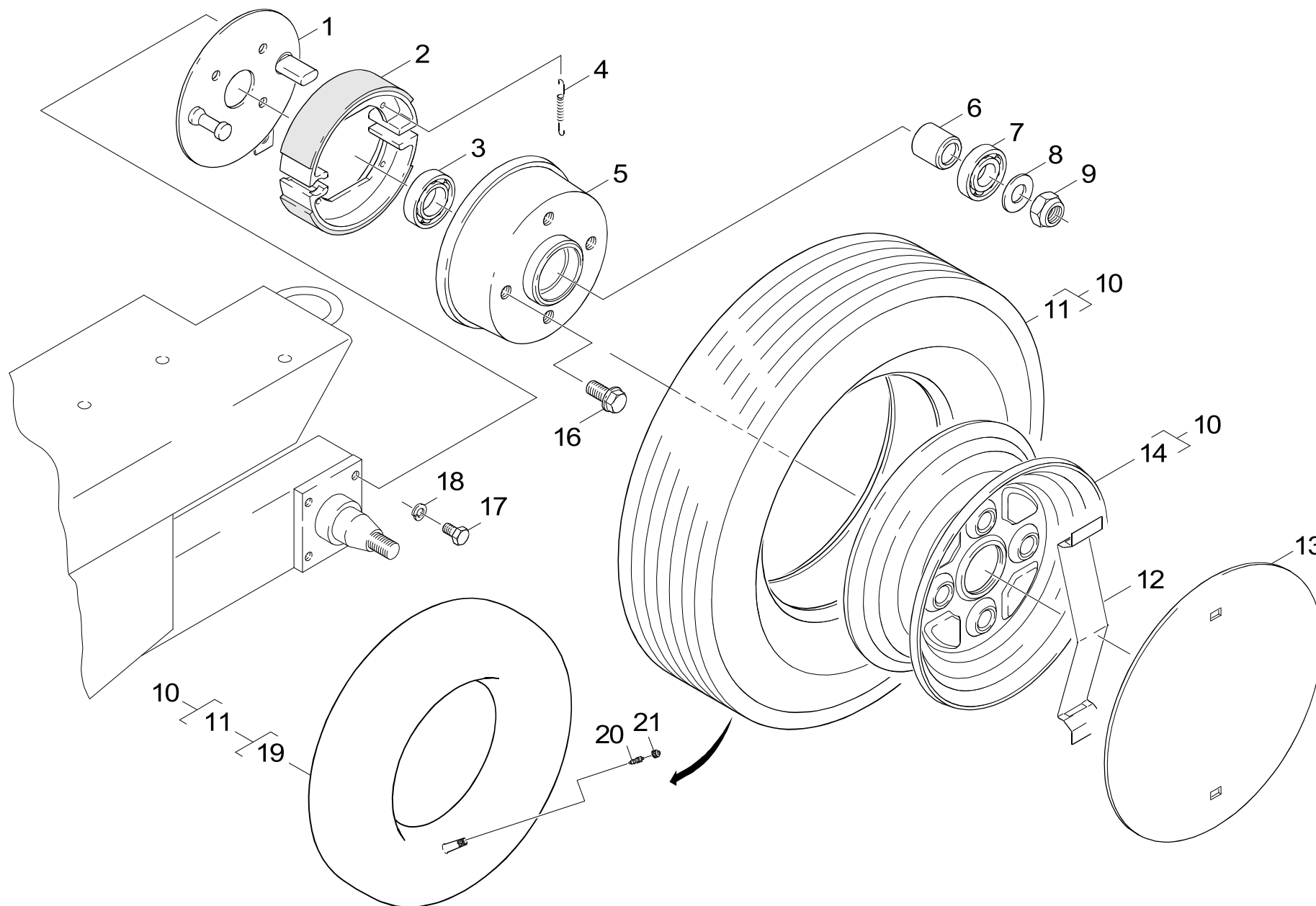
**KMR 1500 B**

**GRUPPE: 7.0 HINTERACHSE**  
**GROUP: 7.0 REAR AXLE**  
**GRUPPE: 7.0 AXE D'ARRIERE**

GRUPPE: 7.0 HINTERACHSE  
GROUP: 7.0 REAR AXLE  
GRUPPE: 7.0 AXE D'ARRIERE

B7

KMR 1500 B



Symbolbeschreibung siehe M16 / symbol description see M16 / désignation de système voir M16 /



GRUPPE: 7.0 HINTERACHSE  
GROUP: 7.0 REAR AXLE  
GROUPE: 7.0 AXE D'ARRIERE

C7

KMR 1500 B

POS. ITM. POS.	BENNENUNG DESCRIPTION DESIGNATION	TEILE-NR. PART-NO. NO.PIECE	STCK QTY. NBR.
1	ANKERBLECH / PLATE / TOLE	6.961-011.0	2
2	BREMSBACKE / BRAKE SHOE / MACHOIRE DE FREIN	6.961-009.0	4
3	KUGELLAGER 6005-RS / BALL BEARING / ROULEMENT A BILLE	7.401-137.0	2
4	FEDER / SPRING / RESSORT	6.961-010.0	4
5	BREMSTROMMEL / BRAKE DRUM / TAMBOUR DE FREIN	6.961-013.0	2
6	DISTANZBUCHSE / SPACER / ENTRETOISE	6.961-012.0	2
7	KUGELLAGER 6204-RS / BALL BEARING / ROULEMENT A BILLE	7.401-138.0	2
8	SCHEIBE / WASHER / RONDELLE	6.312-054.0	2
9	6KT-MUTTER M14X1,5 / HEXAGON NUT / ECROU HEXAGONAL	7.311-434.0	2
10	RAD KPL. / WHEEL / ROUE	4.515-034.0	2
11	REIFEN 4.00-8 8PR / TIRE / PNEUS	6.435-405.0	2
12	KLAMMER / CLAMP / BRIDE DE FIXATION	6.961-411.0	2
13	RADDECKEL / COVER / COUVERCLE	5.063-468.0	2
14	RAD KPL. / WHEEL / ROUE	6.435-408.0	2
16	RADSCHRAUBE G12X21 / SCREW / VIS	7.304-012.0	8
17	6KT-SCHR. M 8X 16 / HEXAGONAL HEAD SCREW / VIS HEXAGONAL	7.304-395.0	8
18	ZAHNSCHEIBE A 8,4 / LOCK WASHER / ROUE PLATE	7.312-159.0	8
19	SCHLAUCH / HOSE / TUYAU FLEXIBLE	6.961-008.0	2
20	VENTIL / VALVE / SOUPEPE	6.412-709.0	2
21	VENTILKAPPE / VALVE CAP / CAPUCHON DE VALVE	6.412-710.0	2

"=> xxxxxx" = bis Werknummer / up to serial No. / jusqu' au No. de fabr. / "xxxxxx =>" = ab Werknummer / from serial No. / a partir du No. de fabr. /

GRUPPE: 8.0 KEHRWALZE  
GROUP: 8.0 REVERSING ROLLING MILL  
GRUPPE: 8.0 TAMBOUR

**A8**

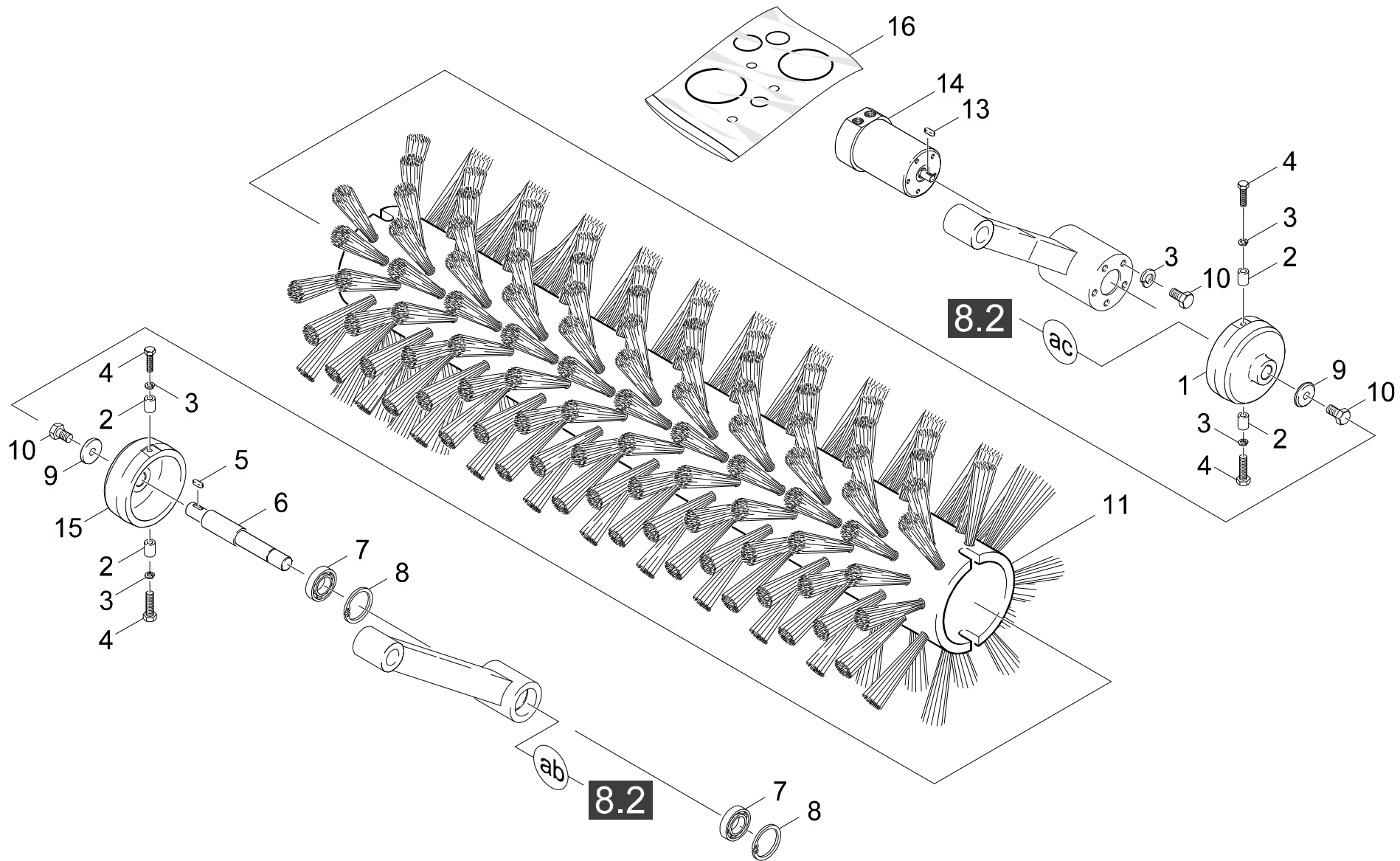
**KMR 1500 B**

**GRUPPE: 8.0 KEHRWALZE**  
**GROUP: 8.0 REVERSING ROLLING MILL**  
**GRUPPE: 8.0 TAMBOUR**

GRUPPE: 8.1 KEHRWALZE  
GROUP: 8.1 REVERSING ROLLING MILL  
GRUPPE: 8.1 TAMBOUR

B8

KMR 1500 B



Symbolbeschreibung siehe M16 / symbol description see M16 / désignation de système voir M16 /

GRUPPE: 8.1 KEHRWALZE  
GROUP: 8.1 REVERSING ROLLING MILL  
GROUPE: 8.1 TAMBOUR

C8

KMR 1500 B

POS. ITM. POS.	BENNENUNG DESCRIPTION DESIGNATION	TEILE-NR. PART-NO. NO.PIECE	STCK QTY. NBR.
1	KEHRWALZENNABE RE. / SPACER HUB / TAMBOUR MOYEU	6.961-085.0	1
2	ROHR / PIPE / TUYAU	5.029-020.0	4
3	ZAHNSCHEIBE A 6,4 / LOCK WASHER / ROUE PLATE	7.312-165.0	9
4	6KT-SCHR. M 6X 25 / HEXAGONAL HEAD SCREW / VIS HEXAGONAL	7.304-386.0	4
5	PASSFEDER 5X 5X 14 / SPRING / RESSORT D'ADJUSTAGE	7.318-065.0	1
6	ACHSE / AXLE / ESSIEU	5.105-242.0	1
7	KUGELLAGER 6003-2RS / BALL BEARING / ROULEMENT A BILLE	7.401-105.0	2
8	S-RING 17X1 / SPRING CLIP / CIRCLIP	7.343-006.0	2
9	SCHEIBE 6 / WASHER / RONDELLE	7.312-260.0	2
10	6KT-SCHR. M 6X 12 / HEXAGONAL HEAD SCREW / VIS HEXAGONAL	7.304-382.0	6
11	KEHRWALZE PROFI / REVERSING ROLLING MILL / TAMBOUR	6.906-030.0	1
13	PASSFEDER 5X 5X 18 / SPRING / RESSORT D'ADJUSTAGE	7.318-003.0	1
14	HYDRAULIKMOTOR / HYDRAULIC MOTOR / MOTEUR HYDRAULIQUE	6.961-093.0	1
15	KEHRWALZENNABE LI. / SPACER HUB / TAMBOUR MOYEU	6.961-606.0	1
16	DICHTUNGSSATZ I / SET OF GASKETS / ASSORTIMENT DE JOINTS	6.365-450.0	1

"=> xxxxxx" = bis Werknummer / up to serial No. / jusqu' au No. de fabr. / "xxxxxx =>" = ab Werknummer / from serial No. / a partir du No. de fabr. /



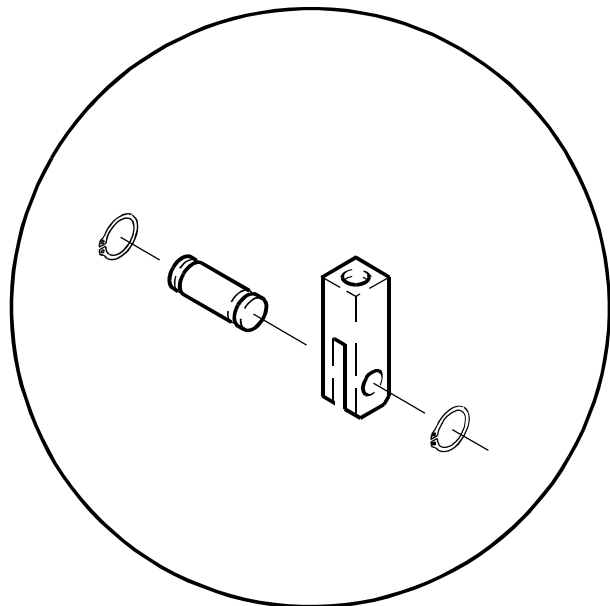
GRUPPE: 8.2 KEHRWALZENKASTEN  
 GROUP: 8.2 SWEEP ROLLER CHEST  
 GROUPE: 8.2 COFFRE DE CYLINDR.BALAYER

E8

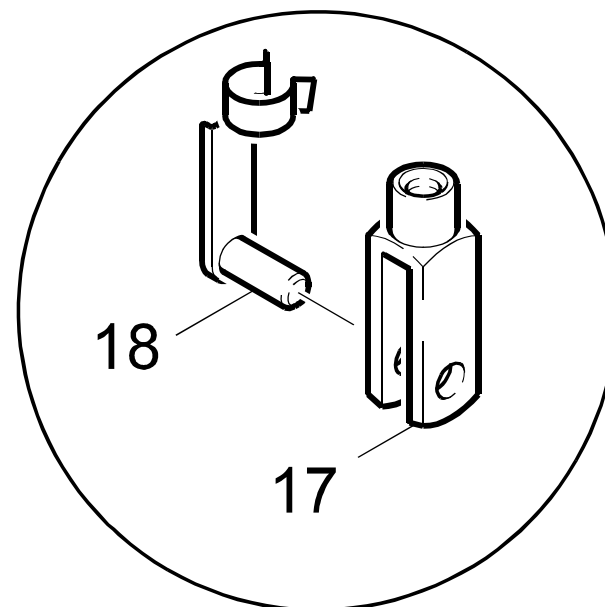
KMR 1500 B

POS. ITM. POS.	BENNENNUNG DESCRIPTION DESIGNATION	TEILE-NR. PART-NO. NO.PIECE	STCK QTY. NBR.	POS. ITM. POS.	BENNENNUNG DESCRIPTION DESIGNATION	TEILE-NR. PART-NO. NO.PIECE	STCK QTY. NBR.
1	LEISTE VORNE / STRIP / BAGUETTE	4.020-003.0	1	41	GEW.STIFT M 6X 10 / THREADED PIN / VIS SANS TETE	7.307-192.0	1
2	GUMMISCHUERZE VORNE / RUBBER APRON / TABLIER CAOUTCHOUC	6.961-103.0	2	42	BLECHTEIL / PLATE / TOLE	6.961-110.0	1
4	GROBSCHMUTZKLAPPE / FLAP / CLAPET	6.961-094.0	1	43	GUMMILIPPE RECHTS / RUBBER LIP / LEVRE CAOUTCHOUC	6.961-089.0	1
6	ACHSE KPL. / AXLE / ESSIEU	6.961-095.0	1	44	BLECHTEIL KPL. / PLATE / TOLE	6.961-109.0	1
9	WINKELGELENK AS13 / ANGLE JOINT / JOINTURE ARTIC. DE ANGLE	7.462-020.0	2	45	STERNGRIF M 8 / CONTROL KNOB / POIGNEE-ETOILE	6.310-066.0	1
10	6KT-MUTTER M 5 / HEXAGON NUT / ECROU HEXAGONAL	7.311-002.0	2	47	GUMMILIPPE RE + LI / RUBBER LIP / LEVRE CAOUTCHOUC	6.277-429.0	1
11	6KT-SCHR. M 5X 25 / HEXAGONAL HEAD SCREW / VIS HEXAGONAL	7.304-375.0	2	48	LEISTE KPL. / STRIP / BAGUETTE	6.961-088.0	1
12	FUEHRUNGSBUCHSE / SLEEVE / DOUILLE DE GUIDAGE	6.905-601.0	2	49	BLECHTEIL / PLATE / TOLE	6.961-117.0	1
13	FEDER / SPRING / RESSORT	6.330-034.0	2	50	SCHEIBE 10 / WASHER / RONDELLE	7.312-005.0	4
14	WINKEL LINKS / ANGLE / ANGLE	4.021-120.0	1	51	6KT-SCHR. M10X 20 / HEXAGONAL HEAD SCREW / VIS HEXAGONAL	7.304-414.0	4
15	WINKEL RECHTS / ANGLE / ANGLE	4.021-119.0	1	52	HEBEL LINKS / LEVER / LEVIER	4.481-111.0	1
16	HALTER / BRACKET / FIXATION	6.961-097.0	1	53	ZYL.SCHR. M 8X 30 / CHEESE HEAD SCREW / VIS A TETE CYLINDR.	7.306-043.0	3
17	GABELKOPF G 8X32 / FORK HEAD / CHAPE	7.462-013.0	1	54	ZAHNSCHEIBE A 8,4 / LOCK WASHER / ROUE PLATE	7.312-159.0	5
18	BOLZEN / BOLT / BOULON	6.316-054.0	1	55	S-RING A 20X 1,2 / SPRING CLIP / CIRCLIP	7.343-040.0	1
20	PEDAL / PEDAL / PEDALE	6.961-096.0	1	56	PEDALGUMMI / PEDAL RUBBER / CAOUTCHOUC	6.961-101.0	1
21	SCHWINGE / LEVER / AICE	6.961-080.0	1	57	SCHEIBE 6 / WASHER / RONDELLE	7.312-003.0	4
22	HEBEL RECHTS / LEVER / LEVIER	4.481-110.0	1	58	S-RING 12X1 / SPRING CLIP / CIRCLIP	7.343-003.0	2
23	FLANSCH / FLANGE / BRIDE	5.122-301.0	2	59	MOOSGUMMI / CELLULAR RUBBER / CAOUTCH. CELLUL.	6.961-107.0	1
24	6KT-SCHR. M 8X 35 / HEXAGONAL HEAD SCREW / VIS HEXAGONAL	7.304-406.0	2	60	S-RING 17X1 / SPRING CLIP / CIRCLIP	7.343-006.0	1
25	GUMMIPUFFER / RUBBER BUFFER / BUTOIR CAOUTCHOUC	6.961-092.0	2	61	GUMMISCHUERZE HINTE / RUBBER APRON / TABLIER CAOUTCHOUC	6.961-118.0	2
26	SCHEIBE 8 / WASHER / RONDELLE	7.312-004.0	2	62	LEISTE HINTEN / STRIP / BAGUETTE	5.190-059.0	2
27	6KT-MUTTER M 8 / HEXAGON NUT / ECROU HEXAGONAL	7.311-004.0	5				
28	6KT-MUTTER M 6 / HEXAGON NUT / ECROU HEXAGONAL	7.311-003.0	16				
29	ZAHNSCHEIBE A 6,4 / LOCK WASHER / ROUE PLATE	7.312-165.0	4				
30	SCHRAUBE M 6X 20 / SCREW / VIS	7.306-092.0	22				
31	S-RING 30X1,5 / SPRING CLIP / CIRCLIP	7.343-009.0	2				
32	PASSFEDER A 5X5X 25 / SPRING / RESSORT D'ADJUSTAGE	7.318-079.0	2				
33	ACHSE / AXLE / ESSIEU	6.961-084.0	1				
34	KLEMMHEBEL / LEVER / LEVIER DE BLOCAGE	6.961-081.0	1				
35	SCHWINGE / LEVER / AICE	6.961-108.0	1				
36	SCHEIBE / WASHER / RONDELLE	6.961-113.0	1				
37	SCHRAUBE M 8X 20 / SCREW / VIS	6.961-538.0	3				
38	KUGELLAGER 6003-RS / BALL BEARING / ROULEMENT A BILLE	7.401-159.0	2				
39	S-RING 35X1,5 / SPRING CLIP / CIRCLIP	7.343-167.0	2				
40	RAENDELMUTTER / KNURLED NUT / ECROU MOLETE	6.961-112.0	1				

"=> xxxxxx" = bis Werknummer / up to serial No. / jusqu' au No. de fabr. / "xxxxxx =>" = ab Werknummer / from serial No. / a partir du No. de fabr. /



ERSETZT DURCH  
REPLACED BY  
REPLACE PAR



Symbolbeschreibung siehe M16 / symbol description see M16 / désignation de système voir M16 /

GRUPPE: 8.3 KEHRWALZENKASTEN  
GROUP: 8.3 SWEEP ROLLER CHEST  
GROUPE: 8.3 COFFRE DE CYLINDR.BALAYER

**G8**

**KMR 1500 B**

POS.	BENNENNUNG	TEILE-NR.	STCK
ITM.	DESCRIPTION	PART-NO.	QTY.
POS.	DESIGNATION	NO.PIECE	NBR.
17	GABELKOPF G 8X32 / FORK HEAD / CHAPE	7.462-013.0	1
18	BOLZEN / BOLT / BOULON	6.316-054.0	1

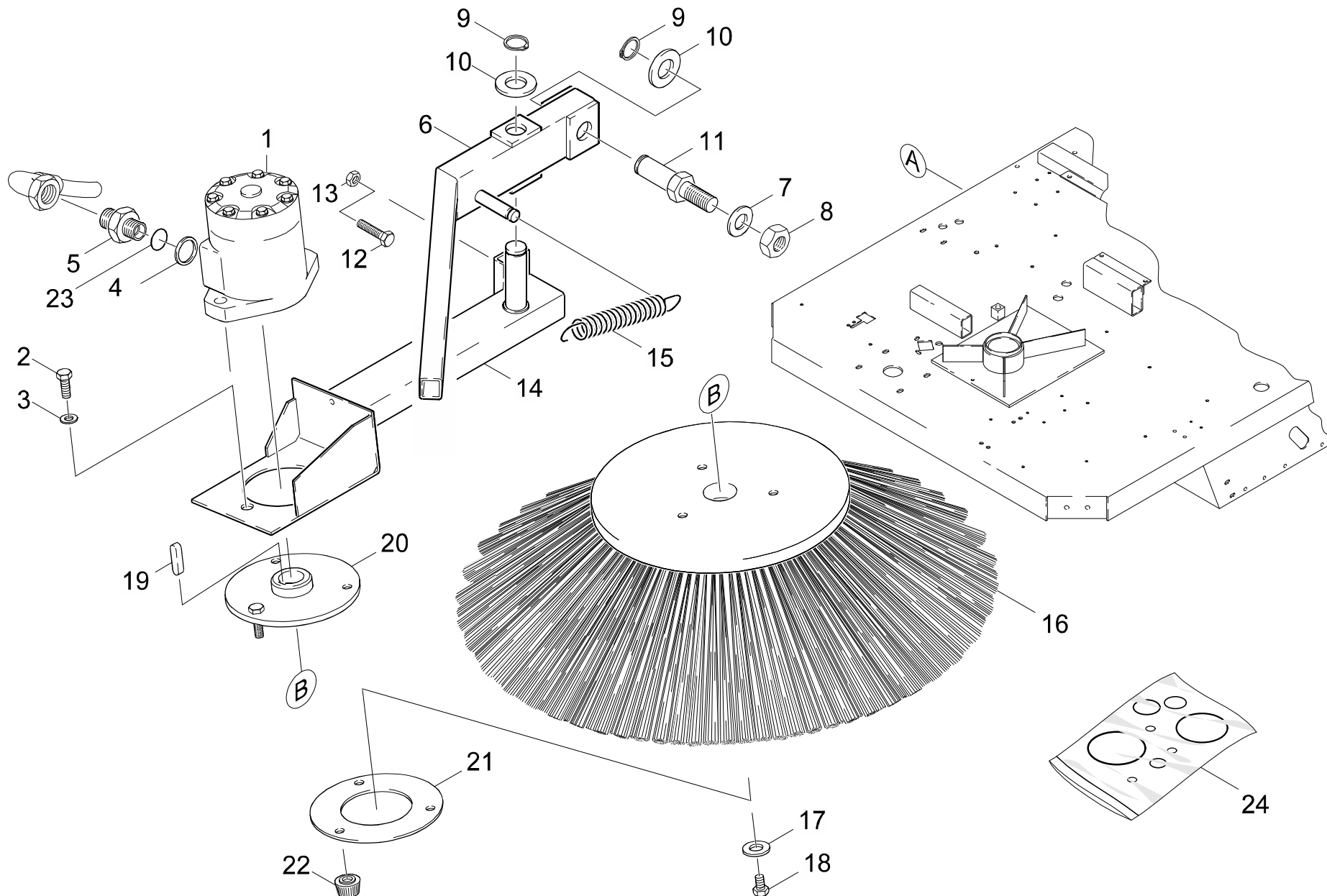
"=> xxxxxx" = bis Werknummer / up to serial No. / jusqu' au No. de fabr. / "xxxxxx =>" = ab Werknummer / from serial No. / a partir du No. de fabr. /



GRUPPE: 8.4 SEITENBESEN -RECHTS  
GROUP: 8.4 SIDE BROOM  
GRUPPE: 8.4 BALAI

H8

KMR 1500 B



Symbolbeschreibung siehe M16 / symbol description see M16 / désignation de système voir M16 /

GRUPPE: 8.4 SEITENBESEN -RECHTS  
GROUP: 8.4 SIDE BROOM  
GROUPE: 8.4 BALAI

18

KMR 1500 B

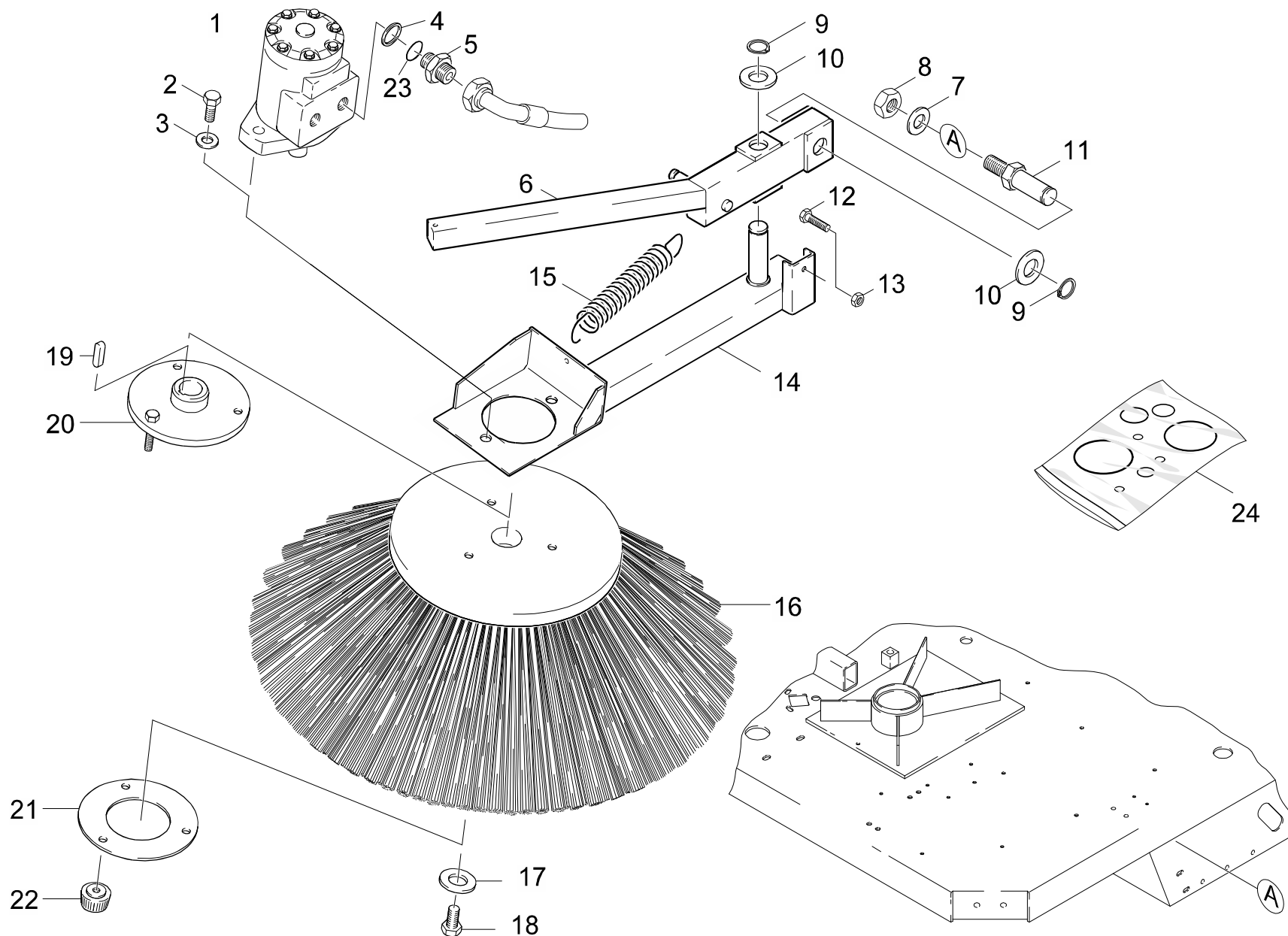
POS. ITM. POS.	BENNENNUNG DESCRIPTION DESIGNATION	TEILE-NR. PART-NO. NO.PIECE	STCK QTY. NBR.
1	HYDRAULIKMOTOR / HYDRAULIC MOTOR / MOTEUR HYDRAULIQUE	6.961-126.0	1
2	6KT-SCHR. M 8X 30 / HEXAGONAL HEAD SCREW / VIS HEXAGONAL	7.304-400.0	2
3	SCHEIBE 8 / WASHER / RONDELLE	7.312-004.0	2
4	DISTANZSCHEIBE / SPACER / DISQUE	6.961-018.0	2
5	VERSCHRAUBUNG / SCREW CONNECTOR / RACCORD A VIS	6.386-628.0	2
6	SCHWENKARM / SWIVEL ARM / POTENCE	6.961-121.0	1
7	SCHEIBE 16 / WASHER / RONDELLE	7.312-019.0	1
8	6KT-MUTTER M16 / HEXAGON NUT / ECROU HEXAGONAL	7.311-010.0	1
9	S-RING A 20X 1,2 / SPRING CLIP / CIRCLIP	7.343-040.0	2
10	SCHEIBE 20 / WASHER / RONDELLE	7.312-018.0	2
11	BOLZEN / BOLT / BOULON	6.961-123.0	1
12	6KT-SCHR. M 8X 35 / HEXAGONAL HEAD SCREW / VIS HEXAGONAL	7.304-406.0	1
13	6KT-MUTTER M 8 / HEXAGON NUT / ECROU HEXAGONAL	7.311-004.0	1
14	SEITENARM / SIDE ARM / BRAS LATERAL	6.961-120.0	1
15	FEDER / SPRING / RESSORT	6.961-124.0	1
16	SEITENBESEN UNIVERS / SIDE BROOM / BALAI	6.905-620.0	1
17	SCHEIBE 8 / WASHER / RONDELLE	7.312-261.0	1
18	6KT-SCHR. M 8X 16 / HEXAGONAL HEAD SCREW / VIS HEXAGONAL	7.304-395.0	1
19	PASSFEDER 8X 7X 32 / SPRING / RESSORT D'ADJUSTAGE	7.318-042.0	1
20	NABE / HUB / MOYEU	4.120-170.0	1
21	SCHEIBE / WASHER / RONDELLE	6.905-806.0	1
22	STERNGRIF M 8 / CONTROL KNOB / POIGNEE-ETOILE	6.310-066.0	3
23	O-RING 17,12X 2,62 / GASKET / BAQUE D'ETANCHEITE	6.362-496.0	2
24	DICHTUNGSSATZ II / SET OF GASKETS / ASSORTIMENT DE JOINTS	6.365-451.0	1

"=> xxxxxx" = bis Werknummer / up to serial No. / jusqu' au No. de fabr. / "xxxxxx =>" = ab Werknummer / from serial No. / a partir du No. de fabr. /

GRUPPE: 8.5 SEITENBESEN -LINKS  
GROUP: 8.5 SIDE BROOM  
GRUPPE: 8.5 BALAI

J8

KMR 1500 B



Symbolbeschreibung siehe M16 / symbol description see M16 / désignation de système voir M16 /

GRUPPE: 8.5 SEITENBESEN -LINKS  
GROUP: 8.5 SIDE BROOM  
GROUPE: 8.5 BALAI

K8

KMR 1500 B

POS. ITM. POS.	BENNENNUNG DESCRIPTION DESIGNATION	TEILE-NR. PART-NO. NO.PIECE	STCK QTY. NBR.
1	HYDRAULIKMOTOR / HYDRAULIC MOTOR / MOTEUR HYDRAULIQUE	6.961-126.0	1
2	6KT-SCHR. M 8X 30 / HEXAGONAL HEAD SCREW / VIS HEXAGONAL	7.304-400.0	2
3	SCHEIBE 8 / WASHER / RONDELLE	7.312-004.0	2
4	DISTANZSCHEIBE / SPACER / DISQUE	6.961-018.0	2
5	DOPPELNIPPEL / DOUBLE NIPPLE / NIPPLE DOUBLE	6.961-125.0	2
6	SCHWENKARM / SWIVEL ARM / POTENCE	6.961-158.0	1
7	SCHEIBE 16 / WASHER / RONDELLE	7.312-019.0	1
8	6KT-MUTTER M16 / HEXAGON NUT / ECROU HEXAGONAL	7.311-010.0	1
9	S-RING A 20X 1,2 / SPRING CLIP / CIRCLIP	7.343-040.0	2
10	SCHEIBE 20 / WASHER / RONDELLE	7.312-018.0	2
11	BOLZEN / BOLT / BOULON	6.961-123.0	1
12	6KT-SCHR. M 8X 35 / HEXAGONAL HEAD SCREW / VIS HEXAGONAL	7.304-406.0	1
13	6KT-MUTTER M 8 / HEXAGON NUT / ECROU HEXAGONAL	7.311-004.0	1
14	SEITENARM / SIDE ARM / BRAS LATERAL	6.961-157.0	1
15	FEDER / SPRING / RESSORT	6.961-124.0	1
16	SEITENBESEN UNIVERS / SIDE BROOM / BALAI	6.905-620.0	1
17	SCHEIBE 8 / WASHER / RONDELLE	7.312-261.0	1
18	6KT-SCHR. M 8X 16 / HEXAGONAL HEAD SCREW / VIS HEXAGONAL	7.304-395.0	1
19	PASSFEDER 8X 7X 32 / SPRING / RESSORT D'ADJUSTAGE	7.318-042.0	1
20	FLANSCH / FLANGE / BRIDE	6.961-122.0	1
21	SCHEIBE / WASHER / RONDELLE	6.905-806.0	1
22	STERNGRIF M 8 / CONTROL KNOB / POIGNEE-ETOILE	6.310-066.0	3
23	O-RING 17,12X 2,62 / GASKET / BAQUE D'ETANCHEITE	6.362-496.0	2
24	DICHTUNGSSATZ II / SET OF GASKETS / ASSORTIMENT DE JOINTS	6.365-451.0	1

"=> xxxxxx" = bis Werknummer / up to serial No. / jusqu' au No. de fabr. / "xxxxxx =>" = ab Werknummer / from serial No. / a partir du No. de fabr. /

GRUPPE: 9.0 KEHRBEHAELTER  
GROUP: 9.0 SWEEP TANK  
GRUPPE: 9.0 BAC BALAYER

**A9**

**KMR 1500 B**

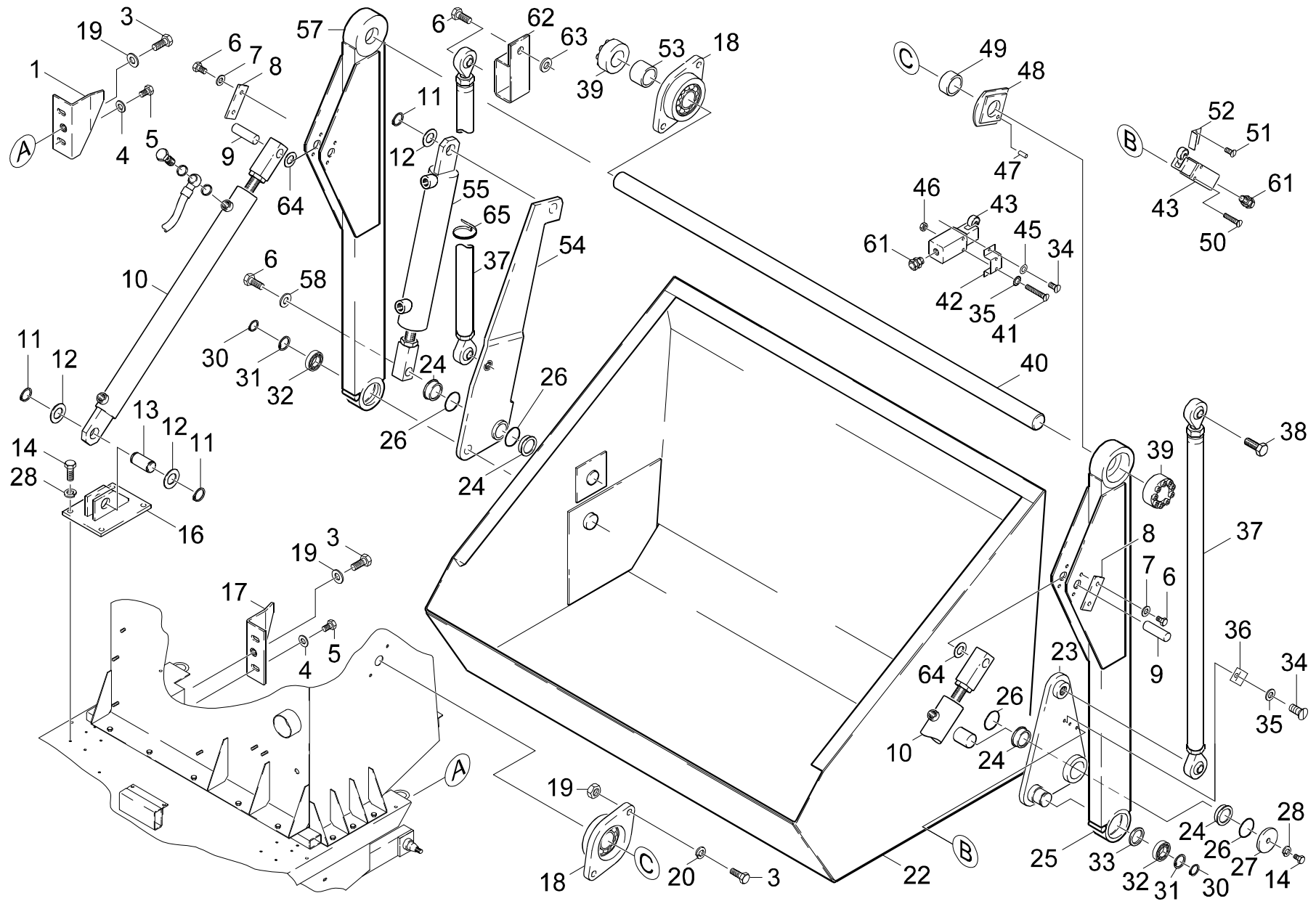
**GRUPPE: 9.0 KEHRBEHAELTER**  
**GROUP: 9.0 SWEEP TANK**  
**GRUPPE: 9.0 BAC BALAYER**

Ersatzteile unter [www.gluensing.net](http://www.gluensing.net)

GRUPPE: 9.0 KEHRBEHAELTER  
GROUP: 9.0 SWEEP TANK  
GROUPE: 9.0 BAC BALAYER

B9

KMR 1500 B



Symbolbeschreibung siehe M16 / symbol description see M16 / désignation de système voir M16 /

GRUPPE: 9.0 KEHRBEHAELTER  
 GROUP: 9.0 SWEEP TANK  
 GROUPE: 9.0 BAC BALAYER

# C9

# KMR 1500 B

POS. ITM. POS.	BENNENNUNG DESCRIPTION DESIGNATION	TEILE-NR. PART-NO. NO.PIECE	STCK QTY. NBR.	POS. ITM. POS.	BENNENNUNG DESCRIPTION DESIGNATION	TEILE-NR. PART-NO. NO.PIECE	STCK QTY. NBR.
1	BLECHTEIL / PLATE / TOLE	5.047-240.0	1	38	6KT-SCHR. M16X 40 / HEXAGONAL HEAD SCREW / VIS HEXAGONAL	7.304-451.0	3
3	6KT-SCHR. M10X 30 / HEXAGONAL HEAD SCREW / VIS HEXAGONAL	7.304-417.0	6	39	SPANNELEMENT 30X55 / CLAMPING ELEMENT / ELEMENT DE SERRAGE	6.961-300.0	2
5	6KT-SCHR. M 8X 16 / HEXAGONAL HEAD SCREW / VIS HEXAGONAL	7.304-395.0	4	40	WELLE / SHAFT / ARBRE	6.961-277.0	1
6	6KT-SCHR. M 6X 12 / HEXAGONAL HEAD SCREW / VIS HEXAGONAL	7.304-382.0	6	41	ZYL.SCHR. M 4X 45 / CHEESE HEAD SCREW / VIS A TETE CYLINDR.	7.306-449.0	2
7	SCHEIBE 8 / WASHER / RONDELLE	7.312-004.0	4	42	BUEGEL / STRAP / ETRIER	5.034-517.0	1
8	BLECHTEIL / PLATE / TOLE	6.961-292.0	2	43	SCHALTER / SWITCH / INTERRUPTEUR	6.961-213.0	2
9	BOLZEN / BOLT / BOULON	5.316-800.0	2	45	SCHEIBE 4 / WASHER / RONDELLE	7.312-001.0	2
10	HYDRAULIKZYLINDER / HYDRAULIC CYLINDER / CYLINDRE HYDRAULIC	6.961-289.0	2	46	6KT-MUTTER M 4 / HEXAGON NUT / ECROU HEXAGONAL	7.311-001.0	2
11	S-RING A 20X 1,2 / SPRING CLIP / CIRCLIP	7.343-040.0	5	47	ZYL.STIFT 3,0X 10 / STRAIGHT PIN / GOUPILLE CYLINDR.	7.314-001.0	1
12	SCHEIBE 20 / WASHER / RONDELLE	7.312-018.0	5	48	NOCKEN / CAM / CAME	6.961-280.0	1
13	BOLZEN / BOLT / BOULON	5.316-803.0	2	49	DISTANZHUELSE / SPACER SLEEVE / ENTRETOISE	6.961-279.0	1
14	6KT-SCHR. M 8X 20 / HEXAGONAL HEAD SCREW / VIS HEXAGONAL	7.304-397.0	10	50	ZYL.SCHR. M 4X 30 / CHEESE HEAD SCREW / VIS A TETE CYLINDR.	7.306-428.0	2
16	LAGERBOCK / BEARING BLOCK / SELLE D'APPUI	4.251-026.0	2	51	BLINDNIET 4 / BLIND RIVET / RIVET AVEUGLE	6.315-058.0	2
17	BLECHTEIL / PLATE / TOLE	5.047-241.0	1	52	WINKEL / ANGLE / ANGLE	5.019-789.0	1
18	FLANSCHLAGER / FLANGED BEARING / FLASQUE-BRIDE	6.961-299.0	2	53	DISTANZHUELSE / SPACER SLEEVE / ENTRETOISE	6.961-278.0	1
19	6KT-MUTTER M10 / HEXAGON NUT / ECROU HEXAGONAL	7.311-006.0	6	54	PLATTE / PLATE / PLAQUE	6.961-274.0	1
20	FEDERRING A 10 / SPRING WASHER / RONDELLE GROWER	7.313-030.0	4	55	HYDRAULIKZYLINDER / HYDRAULIC CYLINDER / CYLINDRE HYDRAULIC	6.961-288.0	1
22	KEHRBEHAELTER / SWEEP TANK / BAC BALAYER	6.961-281.0	1	57	HEBEL KPL / LEVER / LEVIER	4.481-098.0	1
23	PLATTE / PLATE / PLAQUE	6.961-273.0	1	58	SCHEIBE 6 / WASHER / RONDELLE	7.312-276.0	2
23	LAGERBUCHSE / BEARING BUSH / COUSSINET	6.961-275.0	4	60	SCHRAUBE M16X40 / SCREW / VIS	6.961-194.0	1
24	LAGER / BEARING / PALIER	5.250-082.0	4	61	KABELVERSCHR. PG 9 / CABLE CONNECTOR / RACCORD DE CABLES	6.641-355.0	2
25	SEITENARM LINKS / SIDE ARM / BRAS LATERAL	6.961-271.0	1	62	KABELSCHELLE / CABLE CLIP / COLLIER DE CABLE	6.961-195.0	1
26	O-RING 34,52X 3,53 / GASKET / BAQUE D'ETANCHEITE	6.362-425.0	4	63	DISTANZSCHEIBE / SPACER / DISQUE	6.961-196.0	1
27	SCHEIBE / WASHER / RONDELLE	5.115-699.0	2	64	SCHEIBE 16 / WASHER / RONDELLE	7.312-019.0	2
28	ZAHNSCHEIBE A 8,4 / LOCK WASHER / ROUE PLATE	7.312-159.0	10	65	KABELBAND / CABLE TIE / PROTECT. DE CABLE	6.647-081.0	8
30	S-RING 25X1,2 / SPRING CLIP / CIRCLIP	7.343-008.0	2				
31	S-RING 47X 1,75 / SPRING CLIP / CIRCLIP	7.343-115.0	2				
32	KUGELLAGER 6005-2RS / BALL BEARING / ROULEMENT A BILLE	7.401-110.0	2				
33	SCHEIBE 25,2X33X3 / WASHER / RONDELLE	6.961-276.0	2				
34	SCHRAUBE M 4X 10 / SCREW / VIS	7.306-057.0	3				
35	ZAHNSCHEIBE A 4,3 / LOCK WASHER / ROUE PLATE	7.312-163.0	3				
36	SCHELLE 1 - 6,0 / CLAMP / COLLIER	7.373-000.0	1				
37	STANGE KPL. / BAR / TIGE	6.961-192.0	2				

"=> xxxxxx" = bis Werknummer / up to serial No. / jusqu' au No. de fabr. / "xxxxxx =>" = ab Werknummer / from serial No. / a partir du No. de fabr. /

GRUPPE: 10.0FILTERKASTEN  
GROUP: 10.0FILTER BOX  
GRUPPE: 10.0FILTRE

**A10**

**KMR 1500 B**

**GRUPPE: 10.0FILTERKASTEN**  
**GROUP: 10.0FILTER BOX**  
**GRUPPE: 10.0FILTRE**

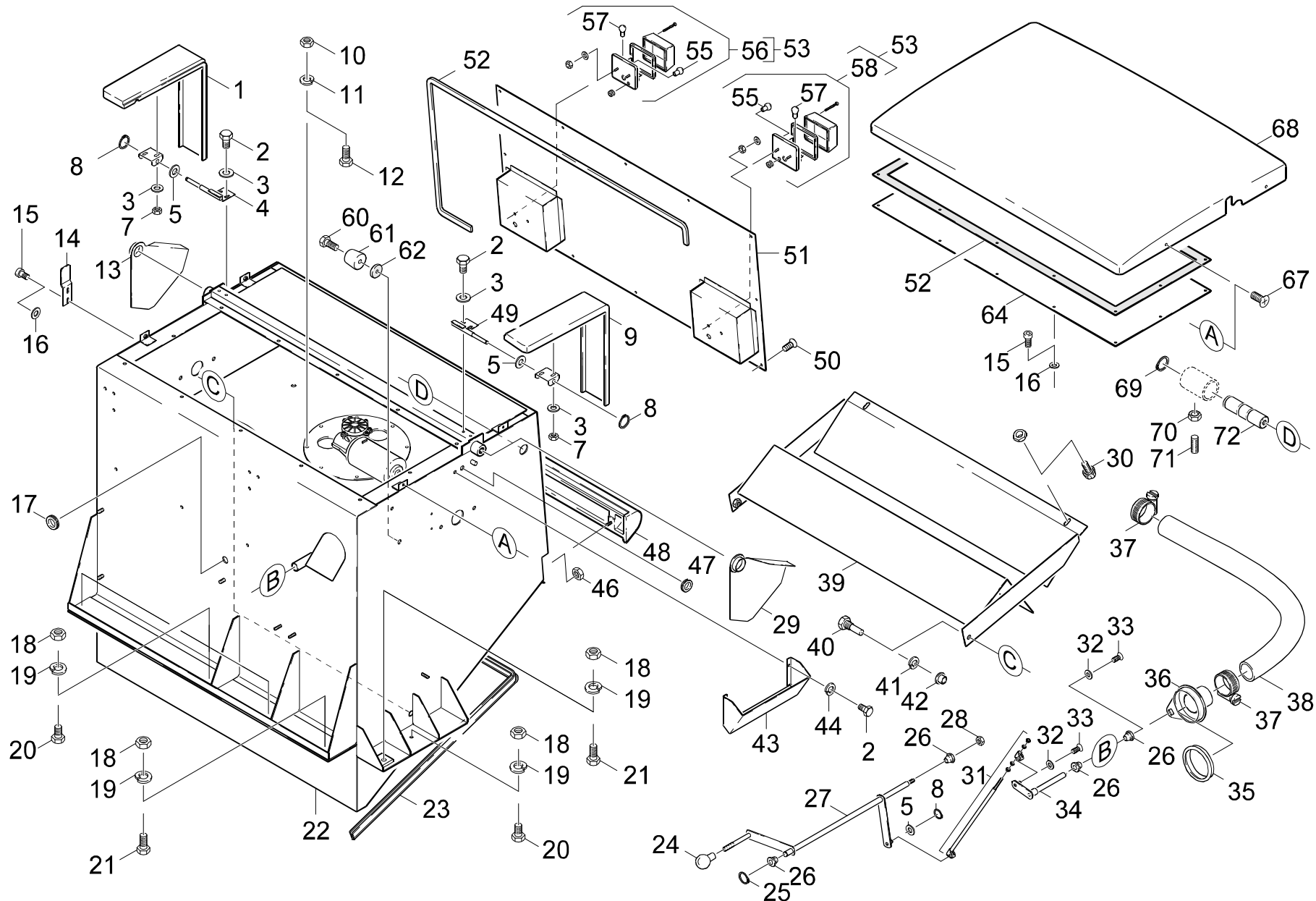
Ersatzteile unter [www.gluesing.net](http://www.gluesing.net)



GRUPPE: 10.1FILTER  
GROUP: 10.1FILTER  
GRUPPE: 10.1FILTRE

B10

KMR 1500 B



Symbolbeschreibung siehe M16 / symbol description see M16 / désignation de système voir M16 /

GRUPPE: 10.1FILTER  
 GROUP: 10.1FILTER  
 GROUPE: 10.1FILTRE

# C10

# KMR 1500 B

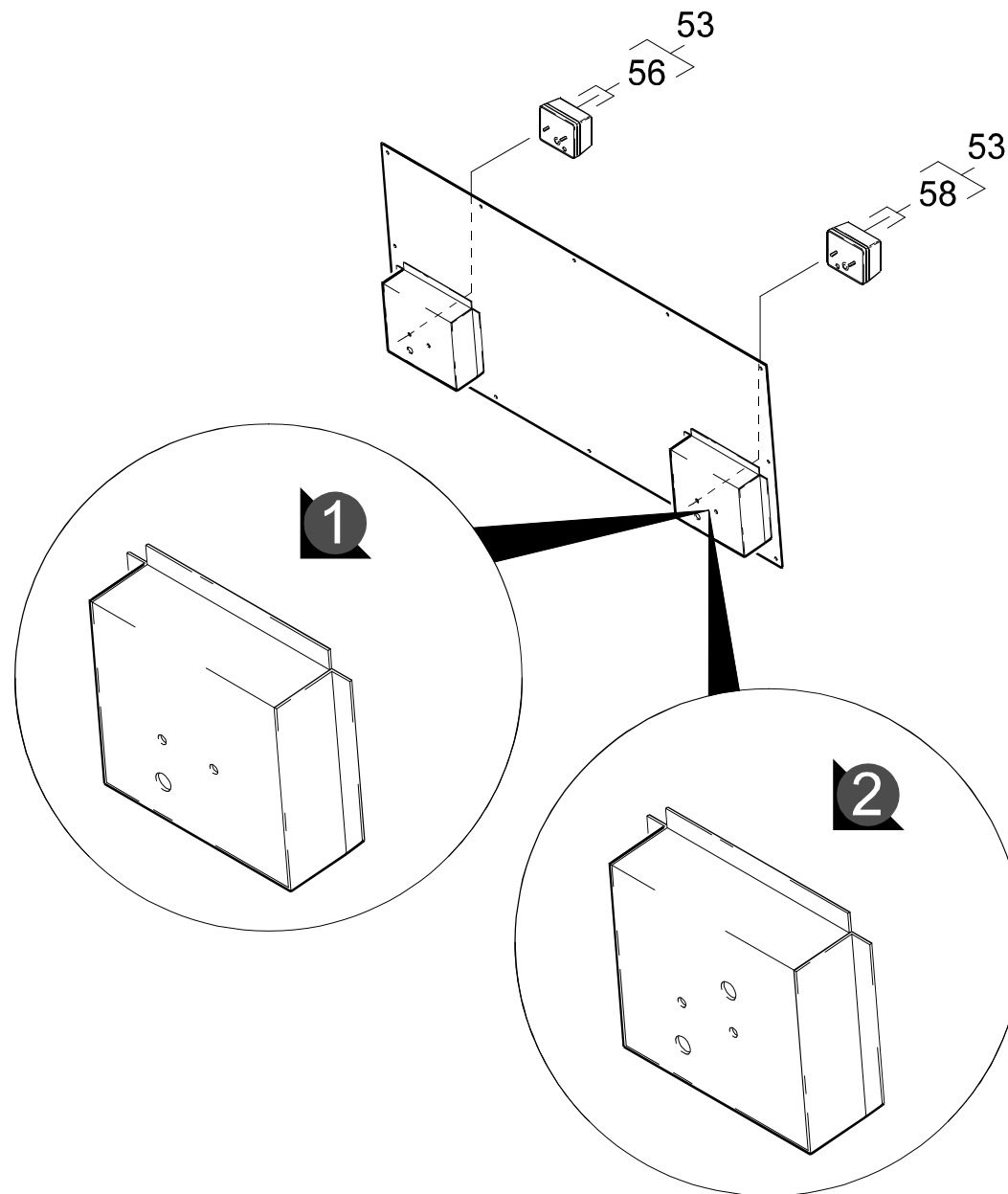
POS. ITM. POS.	BENNENNUNG DESCRIPTION DESIGNATION	TEILE-NR. PART-NO. NO.PIECE	STCK QTY. NBR.	POS. ITM. POS.	BENNENNUNG DESCRIPTION DESIGNATION	TEILE-NR. PART-NO. NO.PIECE	STCK QTY. NBR.
1	FORMTEIL RECHTS / MOULDED PART / PREFORME	6.961-136.0	1	37	SCHLAUCHSCHELLE / HOSE BAND CLIP / COLLIER DE SERRAGE	6.388-766.0	2
2	ZYL.SCHR. M 5X 12 / CHEESE HEAD SCREW / VIS A TETE CYLINDR.	7.306-443.0	1	38	SCHLAUCH / HOSE / TUYAU FLEXIBLE	6.961-579.0	1
3	SCHEIBE 5 / WASHER / RONDELLE	7.312-278.0	8	39	VORABSCHIEDER / SEPARATOR / PRE-SEPARATEUR	6.961-141.0	1
4	SCHARNIER RECHTS / HINGE / CHARNIERE	6.961-569.0	1	40	SCHRAUBE / SCREW / VIS	6.961-576.0	2
5	SCHEIBE 8 / WASHER / RONDELLE	7.312-004.0	5	41	ZAHNSCHEIBE A 13,0 / LOCK WASHER / ROUE PLATE	7.312-161.0	1
7	6KT-MUTTER M 5 / HEXAGON NUT / ECROU HEXAGONAL	7.311-002.0	4	42	BUCHSE / BUSH / DOUILLE	6.903-435.0	2
8	S-RING 8X0,8 / SPRING CLIP / CIRCLIP	7.343-014.0	4	43	BLECHTEIL / PLATE / TOLE	6.961-581.0	1
9	FORMTEIL LINKS / MOULDED PART / PREFORME	6.961-135.0	1	44	FEDERSCHEIBE B 5,0 / SPRING WASHER / RONDELLE ELAST.	7.312-304.0	8
10	6KT-MUTTER M 6 / HEXAGON NUT / ECROU HEXAGONAL	7.311-003.0	24	46	6KT-MUTTER M 6 / HEXAGON NUT / ECROU HEXAGONAL	7.311-425.0	3
11	FEDERSCHEIBE B 6,0 / SPRING WASHER / RONDELLE ELAST.	7.312-305.0	24	47	DURCHFUEHR.TUELLE / BUSH / DOUILLE DE TRAVERSEE	6.961-580.0	4
12	SCHRAUBE M 6X 16 / SCREW / VIS	7.306-090.0	24	48	RAMMSCHUTZ / PROTECTION / PROTECTION	6.961-143.0	1
13	SCHUTZBLECH RECHTS / GUARD PLATE / TOLE DE PROTECTION	6.961-567.0	1	49	SCHARNIER LINKS / HINGE / CHARNIERE	6.961-568.0	1
14	LASCHE / RETAINER CLIP / ECLISSE	5.004-807.0	1	51	RUECKWAND KPL. / REAR WALL / PANNEAU ARRIERE	6.961-137.0	1
15	SCHRAUBE M 5X 16 / SCREW / VIS	7.306-077.0	14	52	SCHAUMBAND PE 25X3 / STRAP / ATTACHE	6.273-110.0	1
16	SCHEIBE 5 / WASHER / RONDELLE	7.312-002.0	14	53	RUECKLEUCHTE / REAR REFLECTOR / FEU ARRIERE	2.638-847.0	2
17	DURCHFUEHR.TUELLE / BUSH / DOUILLE DE TRAVERSEE	6.647-534.0	1	<b>VERSION 1/VERSION 1/VERSION 1</b>			
18	6KT-MUTTER M10 / HEXAGON NUT / ECROU HEXAGONAL	7.311-006.0	11	55	GLUEHLAMPE R10W / LAMP BULB / AMPOULE	7.651-006.0	2
19	FEDERRING A 10 / SPRING WASHER / RONDELLE GROWER	7.313-030.0	11	56	RUECKLEUCHTE RE / REAR REFLECTOR / FEU ARRIERE	6.651-371.0	1
20	6KT-SCHR. M10X 25 / HEXAGONAL HEAD SCREW / VIS HEXAGONAL	7.304-415.0	7	<b>VERSION 2/VERSION 2/VERSION 2</b>			
21	6KT-SCHR. M10X 35 / HEXAGONAL HEAD SCREW / VIS HEXAGONAL	7.304-419.0	4	57	GLUEHLAMPE P21W / LAMP BULB / AMPOULE	7.651-014.0	2
22	FILTERKASTEN / FILTER BOX / FILTRE	6.961-142.0	1	58	RUECKLEUCHTE LI / REAR REFLECTOR / FEU ARRIERE	6.651-372.0	1
23	DICHTPROFIL / SEALING PROFILE / JOINT D'ETANCHEITE	6.961-578.0	1	<b>VERSION 2/VERSION 2/VERSION 2</b>			
24	GRIFF D35 / HANDLE / POIGNEE	6.321-080.0	1	60	6KT-SCHR. M 6X 35 / HEXAGONAL HEAD SCREW / VIS HEXAGONAL	7.304-388.0	1
25	S-RING 12X1 / SPRING CLIP / CIRCLIP	7.343-003.0	1	61	GUMMIPUFFER / RUBBER BUFFER / BUTOIR CAOUTCHOUC	6.961-574.0	1
26	FUEHRUNGSBUCHSE / SLEEVE / DOUILLE DE GUIDAGE	6.905-601.0	2	62	GUMMISCHEIBE / RUBBER DISC / DISQUE CAOUTCHOUC	6.961-575.0	1
27	KURBEL KPL. / CRANK / MANIVELLE	6.961-144.0	1	64	BLECHTEIL / PLATE / TOLE	6.961-572.0	1
28	6KT-MUTTER M 8 / HEXAGON NUT / ECROU HEXAGONAL	7.311-427.0	1	67	SENKSCHR. M 5X 20 / FLAT HEADED SCREW / VIS A TETE CONIQUE	7.305-045.0	4
29	SCHUTZBLECH LINKS / GUARD PLATE / TOLE DE PROTECTION	6.961-566.0	1	68	ABDECKUNG / COVER / CHAPEAU	6.961-570.0	1
30	STERNGRIF M 8 / CONTROL KNOB / POIGNEE-ETOILE	6.310-066.0	2	69	S-RING A 20X 1,2 / SPRING CLIP / CIRCLIP	7.343-040.0	2
31	GESTAENGE KPL. / LEVERAGE / TRINGLES	6.961-138.0	1	70	6KT-MUTTER M 8 / HEXAGON NUT / ECROU HEXAGONAL	7.311-004.0	2
32	SCHEIBE 6 / WASHER / RONDELLE	7.312-276.0	1	71	DRUCKSTUECK FEDERND / THRUST PIECE / MEMBRE DE PRESSION	6.961-582.0	2
33	SENKSCHR. M 6X 10 / FLAT HEADED SCREW / VIS A TETE CONIQUE	7.305-029.0	1	72	BOLZEN / BOLT / BOULON	6.961-577.0	2
34	ACHSE KPL. / AXLE / ESSIEU	6.961-140.0	1	73	U-PROFIL / U-PROFILE / PROFILE EN U	6.961-571.0	2
36	BLECHTEIL KPL. / PLATE / TOLE	6.961-565.0	1				

"=> xxxxxx" = bis Werknummer / up to serial No. / jusqu' au No. de fabr. / "xxxxxx =>" = ab Werknummer / from serial No. / a partir du No. de fabr. /

GRUPPE: 10.2RUECKLEUCHTE  
GROUP: 10.2REAR REFLECTOR  
GRUPPE: 10.2FEU ARRIERE

# D10

# KMR 1500 B



Symbolbeschreibung siehe M16 / symbol description see M16 / désignation de système voir M16 /

GRUPPE: 10.2RUECKLEUCHTE  
GROUP: 10.2REAR REFLECTOR  
GRUPPE: 10.2FEU ARRIERE

**E10**

**KMR 1500 B**

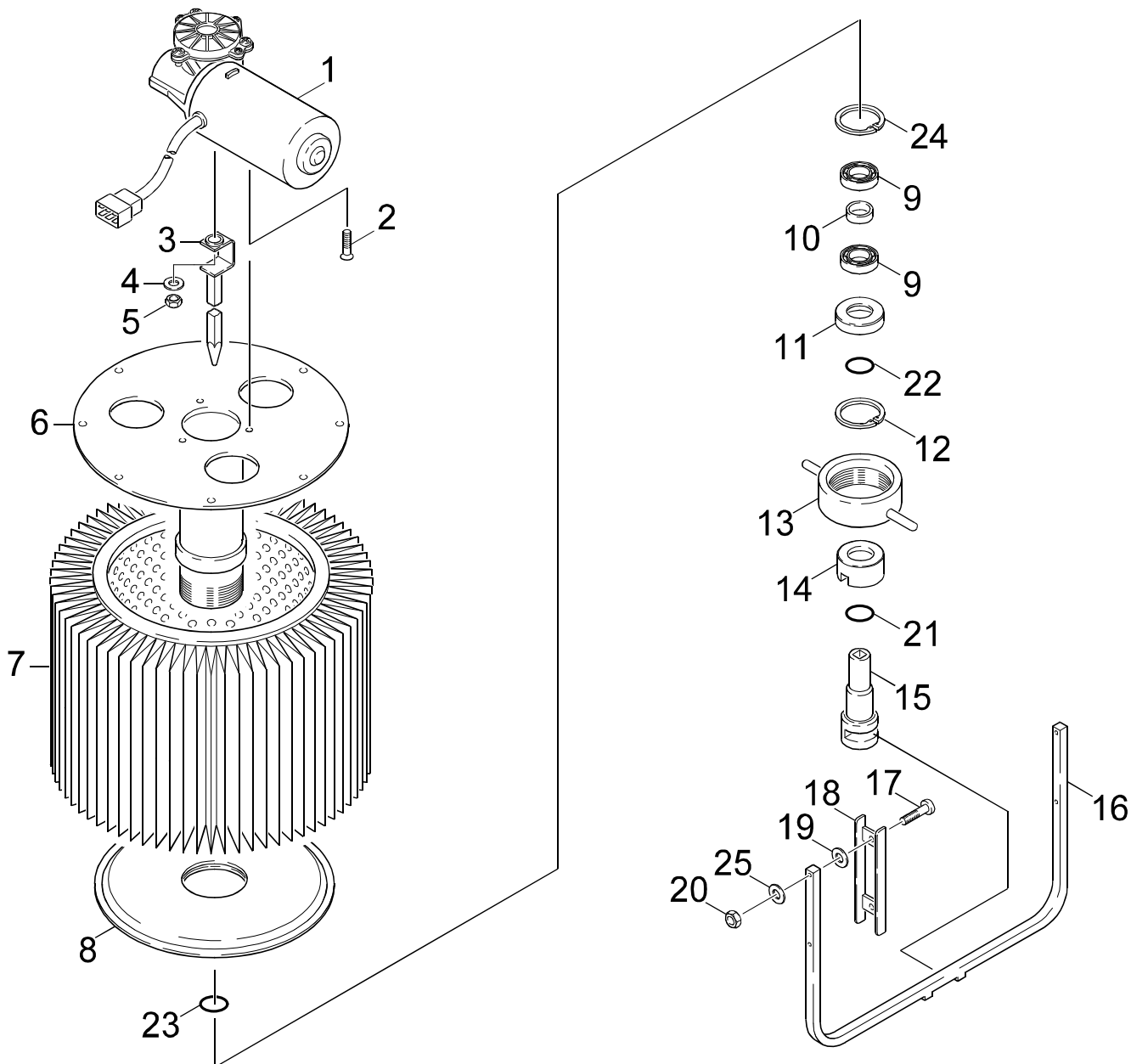
POS. ITM. POS.	BENNENNUNG DESCRIPTION DESIGNATION	TEILE-NR. PART-NO. NO.PIECE	STCK QTY. NBR.
53	RUECKLEUCHTE / REAR REFLECTOR / FEU ARRIERE <b>VERSION 1/VERSION 1/VERSION 1</b>	2.638-847.0	1
56	RUECKLEUCHTE RE / REAR REFLECTOR / FEU ARRIERE <b>VERSION 2/VERSION 2/VERSION 2</b>	6.651-371.0	1
58	RUECKLEUCHTE LI / REAR REFLECTOR / FEU ARRIERE <b>VERSION 2/VERSION 2/VERSION 2</b>	6.651-372.0	1

"=> xxxxxx" = bis Werknummer / up to serial No. / jusqu' au No. de fabr. / "xxxxxx =>" = ab Werknummer / from serial No. / a partir du No. de fabr. /

GRUPPE: 10.3STAUBFILTER  
GROUP: 10.3DUST FILTER  
GRUPPE: 10.3FILTRE (POUSSIERES)

F10

KMR 1500 B



Symbolbeschreibung siehe M16 / symbol description see M16 / désignation de système voir M16 /

GRUPPE: 10.3STAUBFILTER  
GROUP: 10.3DUST FILTER  
GROUPE: 10.3FILTRE (POUSSIERES)

G10

KMR 1500 B

POS. ITM. POS.	BENNENUNG DESCRIPTION DESIGNATION	TEILE-NR. PART-NO. NO.PIECE	STCK QTY. NBR.
1	GETRIEBEMOTOR 12V / GEAR MOTOR / MOTO-REDUCTEUR	6.984-519.0	1
2	SENKSCHR. M 6X 16 / FLAT HEADED SCREW / VIS A TETE CONIQUE	7.305-061.0	3
3	FORMTEIL / MOULDED PART / PREFORME	6.961-145.0	1
4	FAECHERSCHEIBE A8,4 / SERRATED LOCK WASHER / RONDELLE A EVENTAIL	7.312-233.0	1
5	6KT-MUTTER M 8 / HEXAGON NUT / ECROU HEXAGONAL	7.311-004.0	1
6	FLANSCH / FLANGE / BRIDE	6.961-146.0	1
7	FILTER / FILTER / FILTRE	6.414-454.0	3
8	SCHEIBE / WASHER / RONDELLE	6.961-148.0	1
9	KUGELLAGER 6004-RS / BALL BEARING / ROULEMENT A BILLE	7.401-161.0	2
10	DISTANZRING / SPACER RING / BAGUE D'ECARTEMENT	6.961-149.0	1
11	GEHAEUSERING / HOUSING RING / ANNEAU D'ABRI	6.961-150.0	1
12	S-RING 47X 1,75 / SPRING CLIP / CIRCLIP	7.343-115.0	1
13	FLANSCHMUTTER / FLANGE NUT / ECROU DE BRIDE	6.961-151.0	1
14	HUELSE / SLEEVE / DOUILLE	6.961-139.0	1
15	BOLZEN / BOLT / BOULON	6.961-152.0	1
16	BUEGEL / STRAP / ETRIER	6.961-153.0	1
17	ZYL.SCHR. M 4X 25 / CHEESE HEAD SCREW / VIS A TETE CYLINDR.	7.306-632.0	4
18	ABSTREIFER / STRIPPER / DEVETISSEUR	6.961-154.0	2
19	DISTANZSCHEIBE / SPACER / DISQUE	6.961-155.0	8
20	6KT-MUTTER M 4 / HEXAGON NUT / ECROU HEXAGONAL	7.311-001.0	4
21	RWDR A25 X 35 X 7 / ROTARY SHAFT SEAL / JOINT (ARBRE)	7.367-008.0	1
22	O-RING / GASKET / BAQUE D'ETANCHEITE	6.961-133.0	1
23	O-RING 63,0 X 3,0 / GASKET / BAQUE D'ETANCHEITE	6.362-099.0	1
24	S-RING A 20X 1,2 / SPRING CLIP / CIRCLIP	7.343-040.0	1
25	FEDERRING A 4 / SPRING WASHER / RONDELLE GROWER	7.313-031.0	4

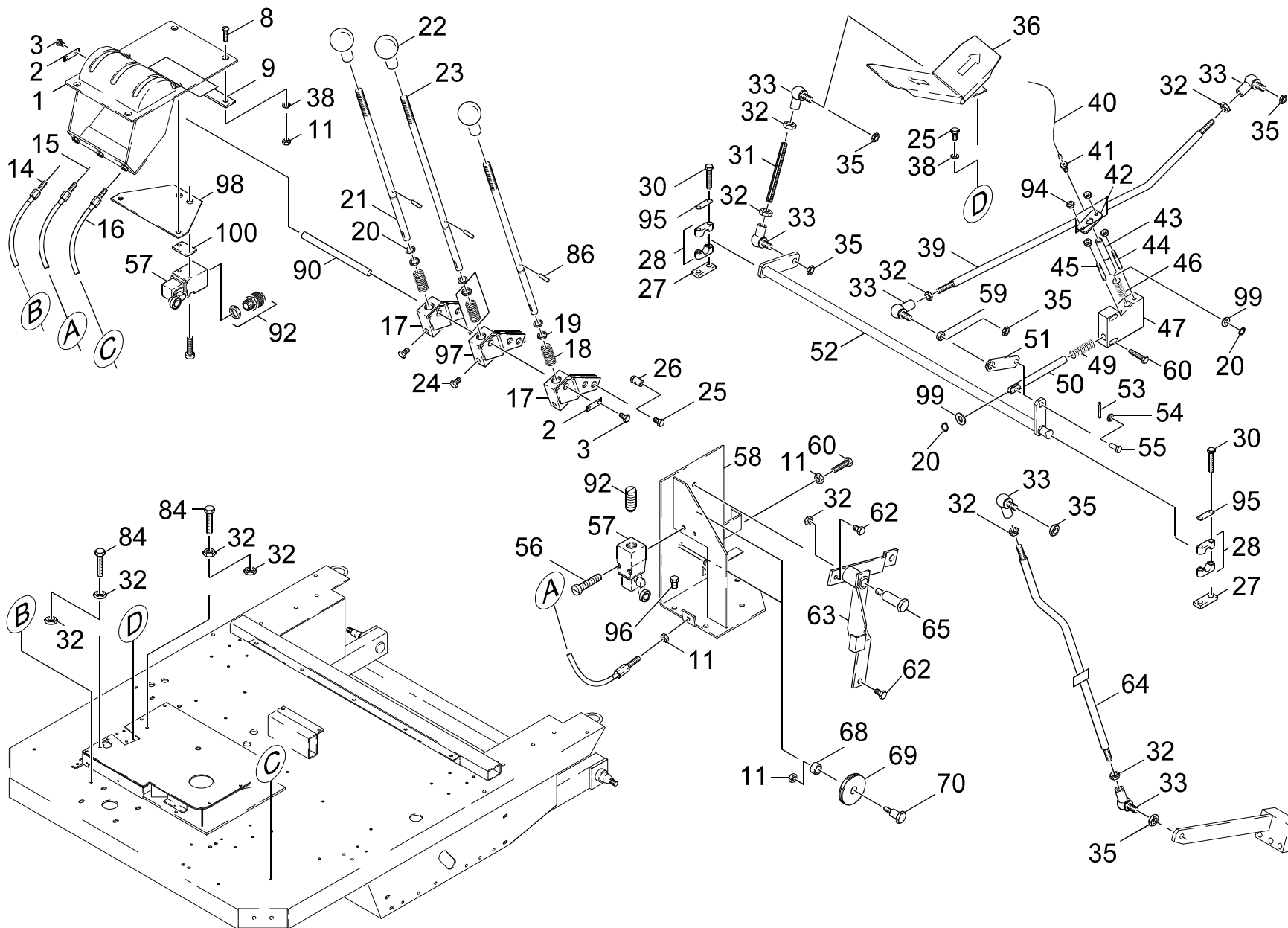
"=> xxxxxx" = bis Werknummer / up to serial No. / jusqu' au No. de fabr. / "xxxxxx =>" = ab Werknummer / from serial No. / a partir du No. de fabr. /

GRUPPE: 11.0STEUERUNG  
GROUP: 11.0CONTROL SYSTEM  
GRUPPE: 11.0COMMANDE

**A11**

**KMR 1500 B**

**GRUPPE: 11.0STEUERUNG**  
**GROUP: 11.0CONTROL SYSTEM**  
**GRUPPE: 11.0COMMANDE**



Symbolbeschreibung siehe M16 / symbol description see M16 / désignation de système voir M16 /



GRUPPE: 11.0 STEUERUNG  
 GROUP: 11.0 CONTROL SYSTEM  
 GROUPE: 11.0 COMMANDE

# C11

# KMR 1500 B

POS. ITM. POS.	BENNENNUNG DESCRIPTION DESIGNATION	TEILE-NR. PART-NO. NO.PIECE	STCK QTY. NBR.	POS. ITM. POS.	BENNENNUNG DESCRIPTION DESIGNATION	TEILE-NR. PART-NO. NO.PIECE	STCK QTY. NBR.
1	GEHAEUSE / HOUSING / BOITIER	6.961-357.0	1	35	6KT-MUTTER M 8 / HEXAGON NUT / ECROU HEXAGONAL	7.311-510.0	6
2	BLECHTEIL / PLATE / TOLE	6.961-364.0	2	36	PEDAL / PEDAL / PEDALE	6.961-218.0	1
3	ZYL.SCHR. M 4X 6 / CHEESE HEAD SCREW / VIS A TETE CYLINDR.	7.306-426.0	4	38	ZAHNSCHEIBE A 6,4 / LOCK WASHER / ROUE PLATE	7.312-165.0	2
8	SENKSCHR. M 6X 20 / FLAT HEADED SCREW / VIS A TETE CONIQUE	7.305-606.0	4	39	STANGE / BAR / TIGE	6.961-227.0	1
9	LEISTE / STRIP / BAGUETTE	6.961-359.0	2	40	BOWDENZUG 380MM / BOWDEN WIRE / CABLE SOUS GAINÉ	6.961-235.0	1
11	6KT-MUTTER M 6 / HEXAGON NUT / ECROU HEXAGONAL	7.311-003.0	11	41	HOHLSCHRAUBE M6X 10 / HOLLOW SCREW / BOULON CREUX	6.961-220.0	1
14	BOWDENZUG 1580MM / BOWDEN WIRE / CABLE SOUS GAINÉ	6.961-225.0	1	42	BLECHTEIL / PLATE / TOLE	6.961-217.0	1
14	BOWDENZUG RECHTS / BOWDEN WIRE / CABLE SOUS GAINÉ	6.961-634.0	1	43	BOLZEN / BOLT / BOULON	6.961-216.0	1
15	BOWDENZUG 1050MM / BOWDEN WIRE / CABLE SOUS GAINÉ	6.961-224.0	1	44	STIFTSCHR. M 5X 40 / LOCKING SCREW / GOUJON FILETE	7.308-002.0	1
15	BOWDENZUG HAUPTK / BOWDEN WIRE / CABLE SOUS GAINÉ	6.961-635.0	1	45	STIFTSCHR. M 5X 35 / LOCKING SCREW / GOUJON FILETE	7.308-001.0	1
16	BOWDENZUG 1100MM / BOWDEN WIRE / CABLE SOUS GAINÉ	6.961-226.0	1	46	FEDER / SPRING / RESSORT	6.961-221.0	1
16	BOWDENZUG LINKS / BOWDEN WIRE / CABLE SOUS GAINÉ	6.961-633.0	1	47	STEUERBLOCK / CONTROL BLOCK / POIGNEE-ETOILE	6.961-369.0	1
17	HEBEL KPL. / LEVER / LEVIER	6.961-358.0	2	49	FEDER / SPRING / RESSORT	6.961-370.0	1
18	FEDER / SPRING / RESSORT	6.961-365.0	3	50	BOLZEN / BOLT / BOULON	6.961-215.0	1
19	SCHEIBE L / WASHER / RONDELLE	6.961-592.0	3	51	BLECHTEIL / PLATE / TOLE	6.961-230.0	1
20	S-RING 10X1 / SPRING CLIP / CIRCLIP	7.343-001.0	5	52	WELLE KPL. / SHAFT / ARBRE	6.961-223.0	1
21	STANGE / BAR / TIGE	6.961-361.0	2	53	SPLINT 1,6X 12 / COTTER / GOUPILLE FENDUE	7.316-321.0	1
22	GRIFF D35 / HANDLE / POIGNEE	6.321-080.0	3	54	SCHEIBE 6 / WASHER / RONDELLE	7.312-003.0	1
23	STANGE / BAR / TIGE	6.961-362.0	1	55	BOLZEN 5,9X17 / BOLT / BOULON	6.961-232.0	1
24	6KT-SCHRAUBE M6 / HEXAGONAL HEAD SCREW / VIS HEXAGONAL	6.961-368.0	3	56	ZYL.SCHR. M 4X 35 / CHEESE HEAD SCREW / VIS A TETE CYLINDR.	7.306-003.0	2
25	6KT-SCHR. M 6X 12 / HEXAGONAL HEAD SCREW / VIS HEXAGONAL	7.304-382.0	7	57	SCHALTER / SWITCH / INTERRUPTEUR	6.961-213.0	1
26	KLEMMHUELSE / CLAMP SLEEVE / DOUILLE DE SERRAGE	6.961-333.0	3	58	BLECHTEIL KPL. / PLATE / TOLE	6.961-206.0	1
27	BLECHTEIL / PLATE / TOLE	6.961-233.0	2	59	HUELSE / SLEEVE / DOUILLE	6.961-231.0	1
28	SCHELLE / CLAMP / COLLIER	6.905-674.0	4	60	6KT-SCHR. M 6X 30 / HEXAGONAL HEAD SCREW / VIS HEXAGONAL	7.304-387.0	3
30	6KT-SCHR. M 6X 35 / HEXAGONAL HEAD SCREW / VIS HEXAGONAL	7.304-388.0	4	62	SCHRAUBE M 6X 10 / SCREW / VIS	7.306-087.0	2
31	STANGE / BAR / TIGE	6.961-229.0	1	63	HEBEL KPL. / LEVER / LEVIER	6.961-207.0	1
32	6KT-MUTTER M 8 / HEXAGON NUT / ECROU HEXAGONAL	7.311-004.0	11	64	STANGE / BAR / TIGE	6.961-228.0	1
33	WINKELGELENK CS13 / ANGLE JOINT / JOINTURE ARTIC. DE ANGLE	7.462-023.0	6	65	SCHRAUBE / SCREW / VIS	6.961-208.0	1
				68	DISTANZHUELSE / SPACER SLEEVE / ENTRETOISE	6.961-210.0	2
				69	SEILROLLE / ROPE ROLLER / POULIE	6.961-209.0	2
				70	SCHAFTSCHRAUBE / SET SCREW / VIS SANS TETE	6.961-211.0	2
				84	6KT-SCHR. M 8X 35 / HEXAGONAL HEAD SCREW / VIS HEXAGONAL	7.304-406.0	2
				86	ZYL.STIFT 4M6X20 / STRAIGHT PIN / GOUPILLE CYLINDR.	7.314-090.0	3
				90	ACHSE / AXLE / ESSIEU	6.961-360.0	1
				92	KABELVERSCHR. PG 9 / CABLE CONNECTOR / RACCORD DE CABLES	6.641-355.0	1

"=> xxxxxx" = bis Werknummer / up to serial No. / jusqu' au No. de fabr. / "xxxxxx =>" = ab Werknummer / from serial No. / a partir du No. de fabr. /

GRUPPE: 11.0STEUERUNG  
GROUP: 11.0CONTROL SYSTEM  
GROUPE: 11.0COMMANDE

# D11

# KMR 1500 B

POS.	BENNENUNG	TEILE-NR.	STCK
ITM.	DESCRIPTION	PART-NO.	QTY.
POS.	DESIGNATION	NO.PIECE	NBR.
94	6KT-MUTTER M 5 / HEXAGON NUT / ECROU HEXAGONAL	7.311-002.0	4
95	LASCHE / RETAINER CLIP / ECLISSE	6.905-673.0	2
96	SCHRAUBE M 6X 16 / SCREW / VIS	7.306-090.0	4
97	HEBEL KPL. / LEVER / LEVIER	6.961-590.0	1
98	BLECHTEIL / PLATE / TOLE	6.961-591.0	1
99	SCHEIBE 10 / WASHER / RONDELLE	7.312-005.0	2
100	UNTERLEGBLECH / SPACER / CALE D'EPAISSEUR	6.961-593.0	1

"=> xxxxxx" = bis Werknummer / up to serial No. / jusqu' au No. de fabr. / "xxxxxx =>" = ab Werknummer / from serial No. / a partir du No. de fabr. /

GRUPPE: 12.0SCHALTKASTEN  
GROUP: 12.0SWITCH BOX  
GRUPPE: 12.0COFFRET ELECTRIQUE

**A12**

**KMR 1500 B**

**GRUPPE: 12.0SCHALTKASTEN**  
**GROUP: 12.0SWITCH BOX**  
**GRUPPE: 12.0COFFRET ELECTRIQUE**



GRUPPE: 12.1SCHALTKASTEN / VERSION 1 /  
 GROUP: 12.1SWITCH BOX / VERSION 1 /  
 GROUPE: 12.1COFFRET ELECTRIQUE / VERSION 1 /

# C12

# KMR 1500 B

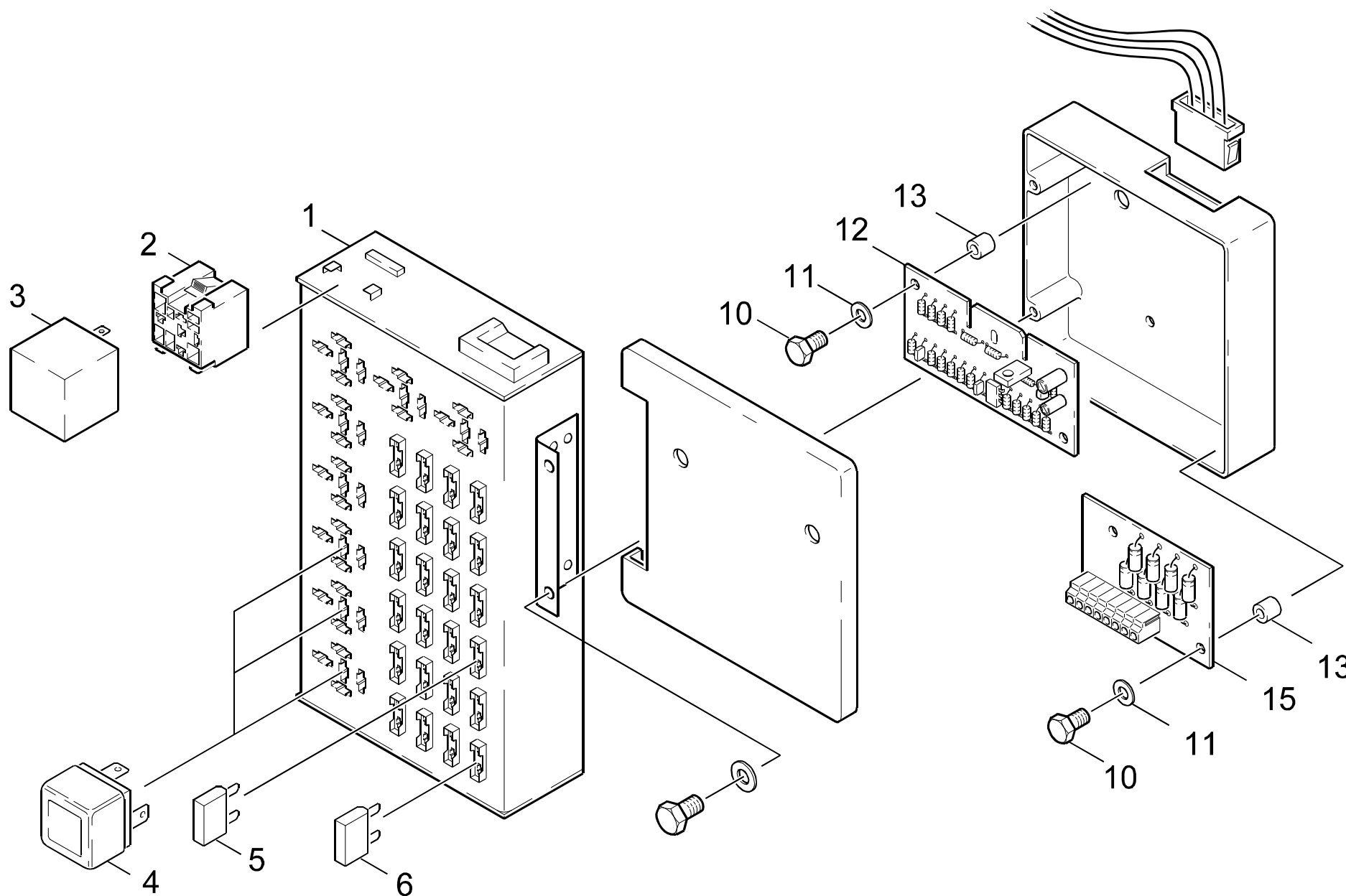
POS. ITM. POS.	BENNENUNG DESCRIPTION DESIGNATION	TEILE-NR. PART-NO. NO.PIECE	STCK QTY. NBR.
1	DICHTUNG / SEAL / BOURRAGE	6.961-104.0	1
2	BLECHTEIL KPL. / PLATE / TOLE	6.961-417.0	1
3	FEDERSCHEIBE B 6,0 / SPRING WASHER / RONDELLE ELAST.	7.312-305.0	3
4	ZYL.SCHR. M 6X 10 / CHEESE HEAD SCREW / VIS A TETE CYLINDR.	7.306-465.0	3
5	MUTTER / NUT / ECROU	6.961-415.0	3
6	BUCHSE / BUSH / DOUILLE	6.961-414.0	3
7	ZYL.SCHR. M 4X 16 / CHEESE HEAD SCREW / VIS A TETE CYLINDR.	7.306-422.0	4
8	SCHEIBE 5 / WASHER / RONDELLE	7.312-002.0	4
9	STEUERPLATINE 12V / CONTROL MODULE / PLATINE	6.682-286.0	1
10	DISTANZHUELSE / SPACER SLEEVE / ENTRETOISE	6.905-770.0	4
11	PLATINE / CIRCUIT BOARD / PLATINE	6.961-198.0	1
12	PROFILDICHTUNG / SEAL / ETOUPE PROFILE	6.903-446.0	1
13	KABELBAUM / CABLE TREE / HARNAIS DE CABLES	6.961-306.0	1
14	ZYL.SCHR. M 5X 10 / CHEESE HEAD SCREW / VIS A TETE CYLINDR.	7.306-447.0	2
16	WARNBLINKGEBER / HAZARD FLASHER UNIT / FEUX DE DETRESSE	6.961-301.0	1
17	HALTER / BRACKET / FIXATION	6.961-307.0	1
18	SCHRAUBE M 5X 16 / SCREW / VIS	7.306-077.0	2
19	6KT-MUTTER M 5 / HEXAGON NUT / ECROU HEXAGONAL	7.311-002.0	2
20	SOCKEL / BASE / SOCLE	6.961-302.0	5
21	BLINKGEBER / FLASHER UNIT / CLIGNOTANT	6.961-303.0	1
22	RELAIS 30A/12V / RELAY / RELAIS	6.633-216.0	4
23	GRUNDPLATTE KPL. / BASE PLATE / PLAQUE DE BASE	6.961-416.0	1
24	BLECHTEIL / PLATE / TOLE	6.961-105.0	1
25	SICHERUNGSEINS A8 / FUSE INSERT / CARTOUCHE FUSIBLE / => 00027	7.644-008.0	9
26	SICHERUNGSEINS A16 / FUSE INSERT / CARTOUCHE FUSIBLE / => 00027	7.644-001.0	3

"=> xxxxxx" = bis Werknummer / up to serial No. / jusqu' au No. de fabr. / "xxxxxx =>" = ab Werknummer / from serial No. / a partir du No. de fabr. /

GRUPPE: 12.2SCHALTKASTEN / VERSION 2 /  
GROUP: 12.2SWITCH BOX / VERSION 2 /  
GROUPE: 12.2COFFRET ELECTRIQUE / VERSION 2 /

D12

KMR 1500 B



Symbolbeschreibung siehe M16 / symbol description see M16 / désignation de système voir M16 /

GRUPPE: 12.2SCHALTKASTEN / VERSION 2 /  
GROUP: 12.2SWITCH BOX / VERSION 2 /  
GROUPE: 12.2COFFRET ELECTRIQUE / VERSION 2 /

E12

KMR 1500 B

POS. ITM. POS.	BENNENNUNG DESCRIPTION DESIGNATION	TEILE-NR. PART-NO. NO.PIECE	STCK QTY. NBR.
1	VERTEILERKASTEN / DISTRIBUTION BOX / BOITE DE DISTRIBUTION	6.961-610.0	1
2	SOCKEL / BASE / SOCLE	6.961-302.0	1
3	BLINKGEBER / FLASHER UNIT / CLIGNOTANT	6.961-609.0	1
4	RELAIS 30A/12V / RELAY / RELAIS	6.633-216.0	3
5	SICHERUNGSEINS C 15 / FUSE INSERT / CARTOUCHE FUSIBLE	7.644-018.0	3
6	SICHERUNGSEINS C7,5 / FUSE INSERT / CARTOUCHE FUSIBLE	7.644-007.0	9
10	ZYL.SCHR. M 4X 16 / CHEESE HEAD SCREW / VIS A TETE CYLINDR.	7.306-630.0	4
11	SCHEIBE 4 / WASHER / RONDELLE	7.312-001.0	4
12	STEUERPLATINE / CONTROL MODULE / PLATINE	6.961-608.0	1
13	DISTANZHUELSE / SPACER SLEEVE / ENTRETOISE	6.905-770.0	4
15	PLATINE / CIRCUIT BOARD / PLATINE	6.961-198.0	1

"=> xxxxxx" = bis Werknummer / up to serial No. / jusqu' au No. de fabr. / "xxxxxx =>" = ab Werknummer / from serial No. / a partir du No. de fabr. /

GRUPPE: 13.0SONDERZUBEHOER  
GROUP: 13.0SPECIAL ACCESSORIES  
GRUPPE: 13.0ACCESSOIRES SPECIAUX

**A13**

**KMR 1500 B**

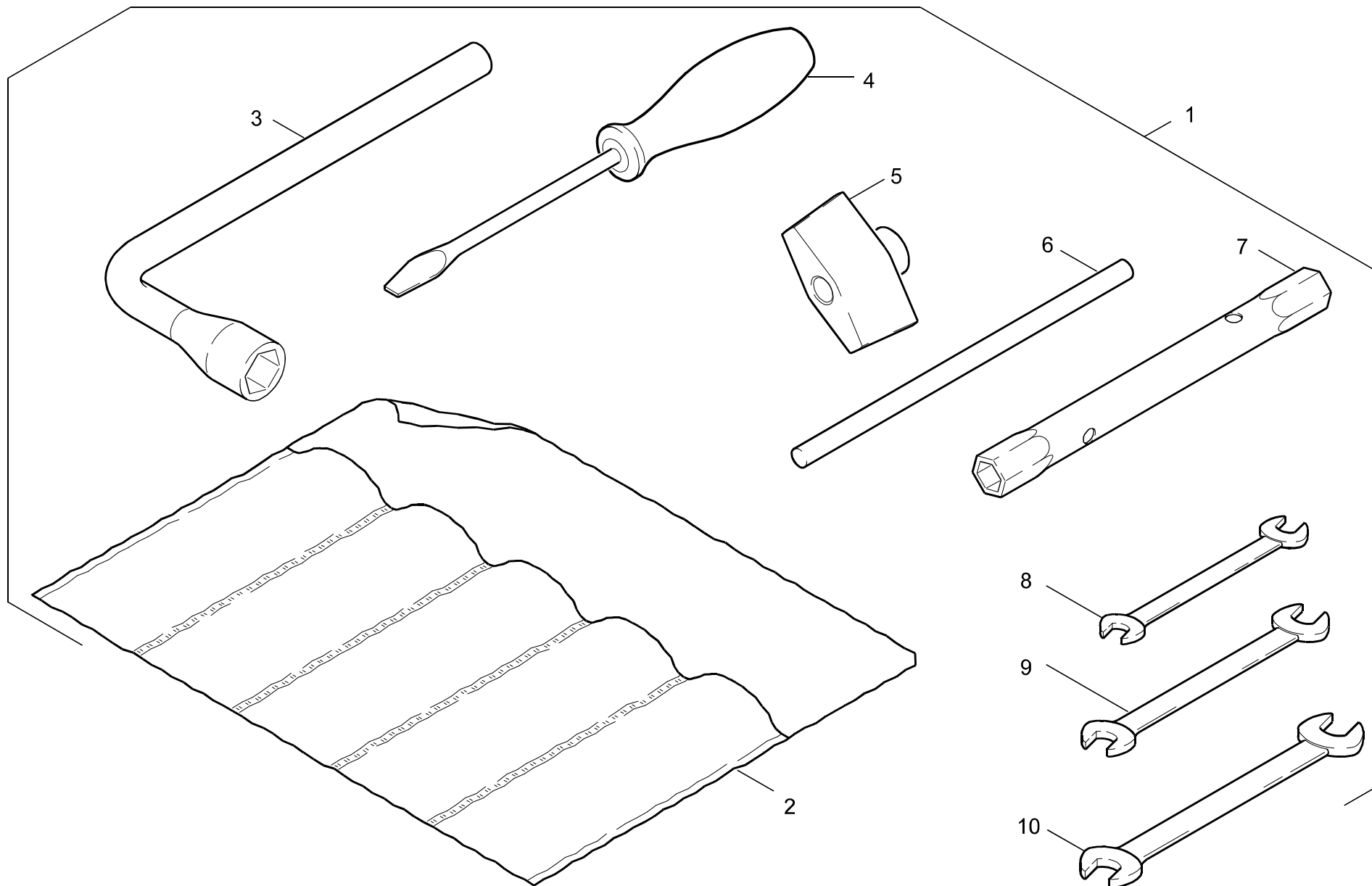
**GRUPPE: 13.0SONDERZUBEHOER**  
**GROUP: 13.0SPECIAL ACCESSORIES**  
**GRUPPE: 13.0ACCESSOIRES SPECIAUX**



GRUPPE: 13.0 SONDERZUBEHOER  
GROUP: 13.0 SPECIAL ACCESSORIES  
GRUPPE: 13.0 ACCESSOIRES SPECIAUX

# B13

# KMR 1500 B



Symbolbeschreibung siehe M16 / symbol description see M16 / désignation de système voir M16 /

GRUPPE: 13.0SONDERZUBEHOER  
GROUP: 13.0SPECIAL ACCESSORIES  
GRUPPE: 13.0ACCESSOIRES SPECIAUX

C13

KMR 1500 B

POS.	BENNENNUNG	TEILE-NR.	STCK
ITM.	DESCRIPTION	PART-NO.	QTY.
POS.	DESIGNATION	NO.PIECE	NBR.
1	WERKZEUGSATZ KPL. / TOOL SET / OUTILLAGE	6.961-586.0	1
2	WERKZEUGTASCHE . / SET OF TOOLS / TROUSSE A OUTILS	6.961-587.0	1
3	SCHLUESSEL / KEY / CLE	6.961-589.0	1
4	SCHR.DREH C-A1 X5,5 / SCREWDRIVER / TOURNEVIS	7.815-231.0	1
5	SCHLUESSEL . / KEY / CLE	6.961-588.0	1
6	DREHSTIFT A 10X200 / TURN BOLT / CHEVILLE	7.815-117.0	1
7	SCHLUESSEL 16 / KEY / CLE	7.815-001.0	1
8	SCHLUESSEL 6X7 / KEY / CLE	7.815-003.0	1
9	SCHLUESSEL 8X10 / KEY / CLE	7.815-030.0	1
10	SCHLUESSEL 13X17 / KEY / CLE	7.815-002.0	1

"=> xxxxxx" = bis Werknummer / up to serial No. / jusqu' au No. de fabr. / "xxxxxx =>" = ab Werknummer / from serial No. / a partir du No. de fabr. /

## Bestellhinweis

Bei Ihrer Bestellung sind unbedingt anzugeben :

- |   |   |  |   |   |
|---|---|--|---|---|
| <b>1.</b><br>Gerätetyp<br>Machine model<br>Type d'appareils | <b>2.</b><br>Herstell-Nr.<br>Serial-No.<br>No. de série | <b>3.</b><br>Benennung<br>Description<br>Désignation | <b>4.</b><br>Teile-Nr.<br>Part No.<br>Référence | <b>5.</b><br>Stückzahl<br>Piece No.<br>Quantité |
|---|---|--|---|---|



**siehe Typenschild  
see name-plate  
voir plaque signalétique**



**siehe Ersatzteilliste  
see spare parts list  
voir liste des pièces de rechange**

- Die Ersatzteile, welche als Meterware geliefert werden, sind auf Einbaulänge selbst zu kürzen. Ebenso sind die Stückzahlen in den jeweiligen Gruppen als Mindestbestellmengen = 1m angegeben und können je nach Bedarf auf weitere volle Meterzahlen erhöht und bestellt werden.
- Spare Parts which are delivered as cut goods have to be shortened to installation length. The quotation of quantity in each group refers to the minimum order quantity = 1m and may be ordered and raised to further full metre-values according to demand
- Les pièces de rechange qui sont livrées comme marchandise au mètre sont à raccourcir selon la longueur d'installation. Les indications de quantité dans chaque group se réfèrent à des valeurs de mètre de plus.
- Diese Ersatzteilliste erscheint in gedruckter Form sowie als Mikrofiche. Bei Querverweisen bezieht sich die Angabe "Seitenzahl" auf die gedruckte Ersatzteilliste und die Angabe "Bildtafel" auf die Mikrofilmausgabe.
- This spare parts list is published both in printed form and as a microfiche. In the cross-references, "page number" refers to the printed spare parts list and "display table" to the microfilm edition.
- Cette liste de pièces de rechange est aussi bien imprimée que publiée sous forme de microfiche. Les indications transversales renvoient au "numéro de page" sur la liste imprimée des pièces de rechange et à la "planche" sur la microfiche.

Bitte beachten Sie, daß der Teileumfang dieser Ersatzteilliste nicht unbedingt dem Lieferumfang Ihres Gerätes entspricht.

For your information: It could be that certain parts quoted in this spare parts list were not included with the machine delivery.

Pour votre information: il se peut que certaines pièces détachées mentionnées sur la liste ne vous aient pas été livrées avec l'appareil.

Die in dieser Ersatzteilliste nicht aufgeführten Einzelteile, bestellen Sie bitte direkt beim Vertragskundendienst des jeweiligen Herstellers.

Please order the individual parts not included in this assembly directly with the contract aftersales service of the manufacturer in question.

Veillez s'il vous plaît, commander les pièces détachées qui ne sont indiquées dans notre liste des pièces détachées, directement auprès du service après-vente des fabricants en question.

Bei Bestellung von lackierten Teilen, welche in der Ersatzteilliste nicht in verschiedenen Farben ausgewiesen sind, ist zusätzlich die Farbnummer oder Farbe mit anzugeben. Diese finden Sie auf dem Typenschild oder Farbschild Ihres Gerätes.

Upon ordering of varnished parts which are not mentioned in the spare parts list as parts with different colors, kindly additionally mention the number of the color. It can be seen on the type plate of the color plate of your machine.

Commandant des parts vernissés qui ne sont pas mentionnés comme parts avec une couleur différente dans la liste des pièces détachées, veuillez mentionner de plus le numéro de la couleur. Il se trouve sur la plaque signalétique ou la plaque de couleur de votre machine.

Auflistungen von Einzelteilen bei Ersatzteil - u. Pumpensets sind in der Reihe "16" einzusehen, bzw. direkt unter dem entsprechenden Set aufgelistet.

Listings of single parts upon spare parts kits and pump kits can be seen in row "16" or directly listed below the corresponding kit.  
Des établissements des pièces détachées en ce qui concerne les kits des pièces de rechange et les kits de pompes, peuvent être vus à la ligne "16" ou ils sont répertoriés directement au-dessous du jeu correspondant.

Technische Änderungen im Rahmen der Weiterentwicklung sowie das Recht der ausschließlichen Auswertung unseres geistigen Eigentums behalten wir uns vor. Vervielfältigung und Nachdruck nur mit Genehmigung und Urheberhinweis möglich.

We reserve the right to make technical changes in the course of development work and the right to make exclusive use of our intellectual property. This spare parts list may be duplicated or reprinted only with our approval and with acknowledgement of our copyright.

Nous nous réservons le droit de toutes modifications techniques dans le cadre du perfectionnement des mises au point ainsi que le droit de la mise en valeur exclusive de notre propriété intellectuelle. Polycopie et reproduction exclusivement après accord et avec mention de l'auteur.

# INDEX

## M16

## KMR 1500 B

GRUPPE: 1.0 EINZELTEILE GROUP: 1.0 PIECE PARTS GROUPE: 1.0 PIÈCES CONSTITUANTES	A1-C1	GRUPPE: 9.0 KEHRBEHAELTER GROUP: 9.0 SWEEP TANK GROUPE: 9.0 BAC BALAYER	A9-C9
GRUPPE: 2.0 HYDRAULIKSYSTEM GROUP: 2.0 HYDRAULIC SYSTEM GROUPE: 2.0 SYSTEME HYDRAULIQUE	A2-M2	GRUPPE: 10.0 FILTERKASTEN GROUP: 10.0 FILTER BOX GROUPE: 10.0 FILTRE	A10-G10
GRUPPE: 3.0 SITZ GROUP: 3.0 SEAT GROUPE: 3.0 SIÈGE	A3-C3	GRUPPE: 11.0 STEUERUNG GROUP: 11.0 CONTROL SYSTEM GROUPE: 11.0 COMMANDE	A11-D11
GRUPPE: 4.0 LENKSAEULE GROUP: 4.0 STEERING PILLAR GROUPE: 4.0 COLLONNE DE DIRECTION	A4-C4	GRUPPE: 12.0 SCHALKASTEN GROUP: 12.0 SWITCH BOX GROUPE: 12.0 COFFRET ELECTRIQUE	A12-E12
GRUPPE: 5.0 HAUBE GROUP: 5.0 COVER GROUPE: 5.0 CAPOT	A5-E5	GRUPPE: 13.0 SONDERZUBEHOER GROUP: 13.0 SPECIAL ACCESSORIES GROUPE: 13.0 ACCESSOIRES SPECIAUX	A13-C13
GRUPPE: 6.0 ANTRIEB GROUP: 6.0 ACTUATION GROUPE: 6.0 ENTRAINEMENT	A6-J6		
GRUPPE: 7.0 HINTERACHSE GROUP: 7.0 REAR AXLE GROUPE: 7.0 AXE D'ARRIERE	A7-C7		
GRUPPE: 8.0 KEHRWALZE GROUP: 8.0 REVERSING ROLLING MILL GROUPE: 8.0 TAMBOUR	A8-K8		



BEISPIEL: VERSION 1  
EXAMPLE: VERSION 1  
EXEMPLE: VERSION 1

**3.0**

BEISPIEL: SIEHE IN GRUPPE 3  
EXAMPLE: SEE IN GROUP 3  
EXEMPLE: VOIR EN GROUPE 3



WICHTIGER HINWEIS  
IMPORTANT REMARK  
REMARCAQUAGE IMPORTANT

BESTELLMHINWEIS SIEHE M15  
EXAMPLE ORDER SEE M15  
EXEMPLE DE COMMANDE VOIR M15

VARIANTENÜBERSICHT SIEHE L16  
VARIANTS SURVEY SEE L16  
VUE D'ENSEMBLE DE VARIANTS VOIR L16