

**Ersatzteilliste
Spare Parts List
Liste des pièces de rechange**

HD 690 SX

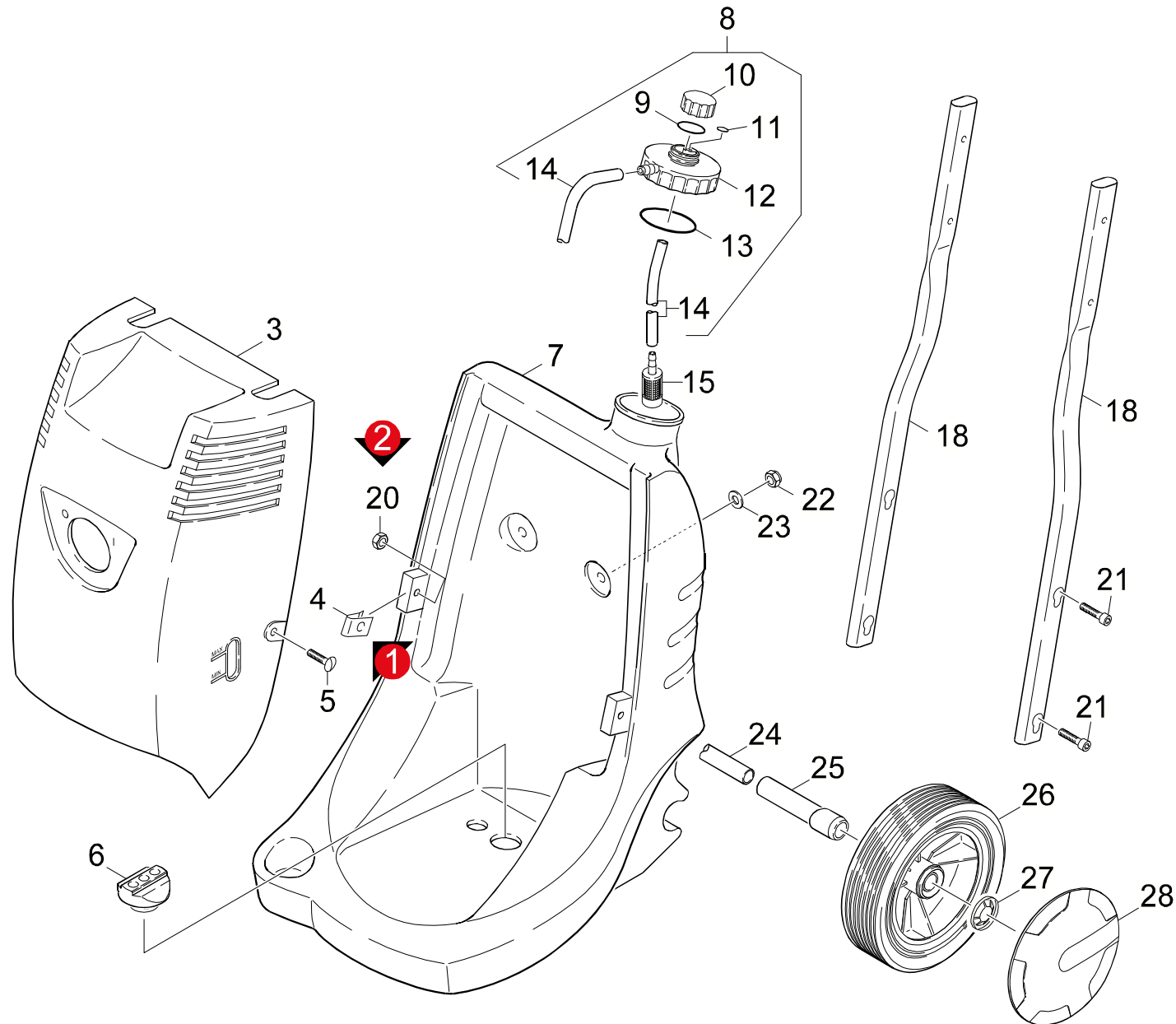
| | | |
|-------------|----------------|----------|
| 1.151-201.0 | HD 690 SX | *EU |
| 1.151-202.0 | HD 690 SX | *EU |
| 1.151-203.0 | HD 690 SX | * AUS-GB |
| 1.151-401.0 | HD 690 SX PLUS | *EUR |
| 1.151-411.0 | HD 690 SX PLUS | *EU |

GRUPPE: 1.0 EINZELTEILE
GROUP: 1.0 PIECE PARTS
GRUPPE: 1.0 PIECES CONSTITUANTES

A1

HD 690 SX

GRUPPE: 1.0 EINZELTEILE
GROUP: 1.0 PIECE PARTS
GRUPPE: 1.0 PIECES CONSTITUANTES



Symbolbeschreibung siehe M16 / symbol description see M16 / désignation de système voir M16 /

GRUPPE: 1.1 EINZELTEILE
 GROUP: 1.1 PIECE PARTS
 GROUPE: 1.1 PIECES CONSTITUANTES

C1

HD 690 SX

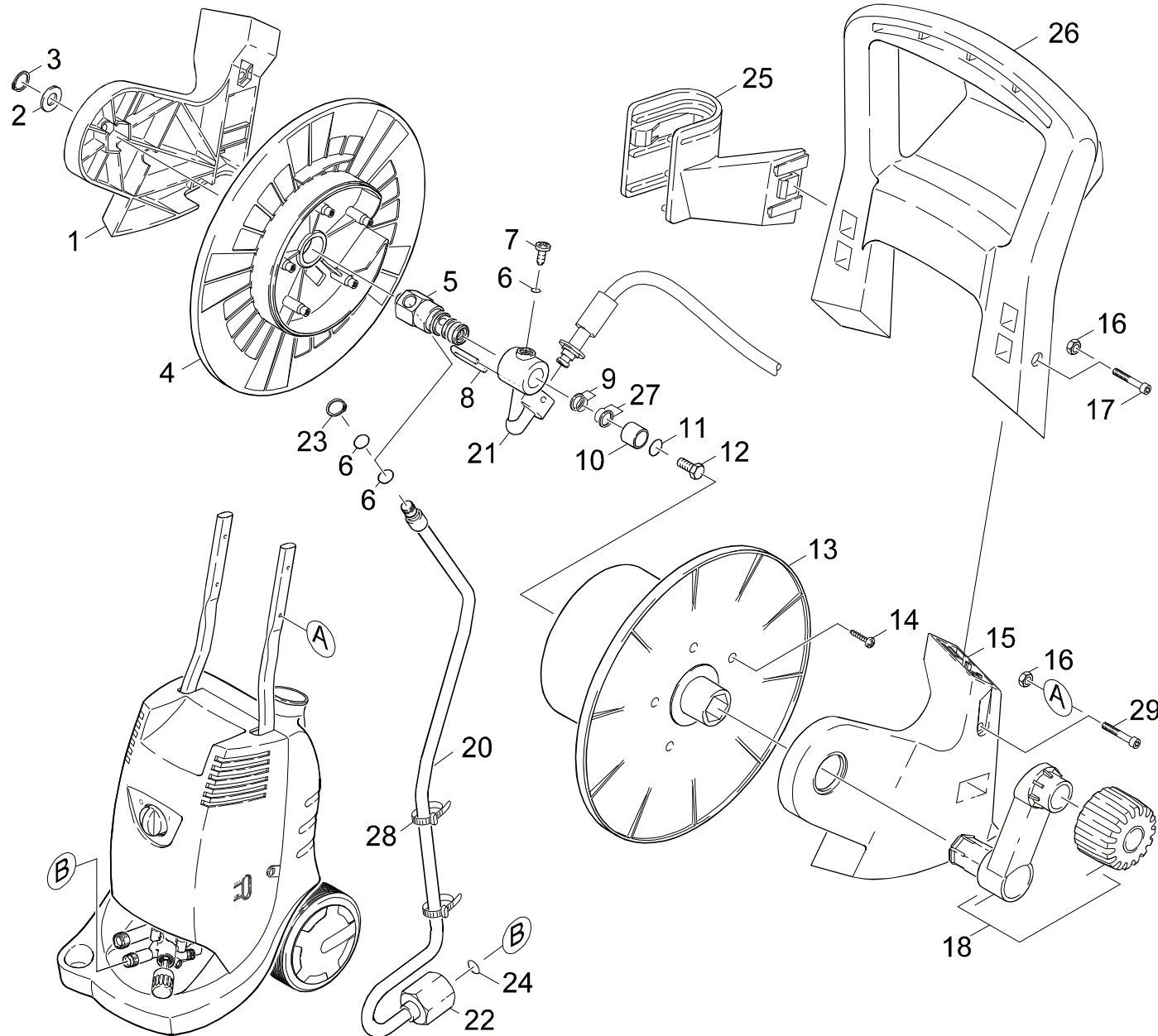
| POS. ITM. POS. | BENNENUNG DESCRIPTION DESIGNATION | TEILE-NR. PART-NO. NO.PIECE | STCK QTY. NBR. |
|--|--|-----------------------------------|----------------------|
| 3 | HAUBE / COVER / CAPOT | 5.067-046.0 | 1 |
| 4 | STECKMUTTER / NUT / ECROU | 6.310-053.0 | 2 |
| 5 | FL.RD.SCHR. M 6X 18 / SAUCER-HEAD SCREW / BOULON A TETE BOMBEE | 6.304-099.0 | 2 |
| 6 | AUFLAGER / SUPPORT / SUPPORT | 5.057-068.0 | 1 |
| 7 | GEHAEUSE / HOUSING / BOITIER | 5.060-682.0 | 1 |
| 8 | CHEMIEDOSIERVENTIL / VALVE / SOUPAPE | 4.580-337.0 | 1 |
| 9 | O-RING 25,0 X 2,0 / GASKET / BAQUE D'ETANCHEITE | 6.362-411.0 | 1 |
| 10 | GRIFF -CHEMIE / HANDLE / POIGNEE | 5.321-473.0 | 1 |
| 11 | O-RING 5 X 1,5 / GASKET / BAQUE D'ETANCHEITE | 6.362-386.0 | 1 |
| 12 | TANKDECKEL / CAP OF A TANK / BOUCHON DE RESERVOIR | 5.063-822.0 | 1 |
| 13 | O-RING 55,0 X 2,0 / GASKET / BAQUE D'ETANCHEITE | 6.362-094.0 | 1 |
| 14 | SCHLAUCH DN 5 / HOSE / TUYAU FLEXIBLE | 6.388-216.0 | 1 |
| ALS METERWARE BESTELLEN/TO ORDER AS CUT GOODS/COMMANDE COMME MARCHANDISE AU METRE | | | |
| 15 | FILTER MIT GEWICHT / FILTER / FILTRE | 5.731-609.0 | 1 |
| 18 | ROHR / PIPE / TUYAU | 5.029-427.0 | 2 |
| 21 | ZYL.SCHR. M 8X 20 / CHEESE HEAD SCREW / VIS A TETE CYLINDR. | 7.306-041.0 | 4 |
| 22 | 6KT-MUTTER M 8 / HEXAGON NUT / ECROU HEXAGONAL | 7.311-427.0 | 2 |
| 23 | SCHEIBE 8 / WASHER / RONDELLE | 7.312-277.0 | 2 |
| 24 | ROHR / PIPE / TUYAU | 5.028-336.0 | 1 |
| 25 | HUELSE / SLEEVE / DOUILLE | 5.110-715.0 | 1 |
| 26 | RAD D 180 / WHEEL / ROUE | 6.435-196.0 | 2 |
| 27 | SICHERUNGSSCHEIBE / LOCK WASHER / RONDELLE D'ARRET | 6.343-168.0 | 2 |
| 28 | RADKAPPE / WHEEL CAB / ENJOLIVEUR | 6.435-197.0 | 2 |

"=> xxxxxx" = bis Werknummer / up to serial No. / jusqu' au No. de fabr. / "xxxxxx =>" = ab Werknummer / from serial No. / a partir du No. de fabr. /

GRUPPE: 1.2 SCHLAUCHTROMMEL
GROUP: 1.2 HOSE REEL
GRUPPE: 1.2 TAMBOUR ENROULEUR

D1

HD 690 SX



Symbolbeschreibung siehe M16 / symbol description see M16 / désignation de système voir M16 /

GRUPPE: 1.2 SCHLAUCHTROMMEL
GROUP: 1.2 HOSE REEL
GROUPE: 1.2 TAMBOUR ENROULEUR

E1

HD 690 SX

| POS. ITM. POS. | BENNENNUNG DESCRIPTION DESIGNATION | TEILE-NR. PART-NO. NO.PIECE | STCK QTY. NBR. |
|----------------------|--|-----------------------------------|----------------------|
| 1 | FORMTEIL LINKS / MOULDED PART / PREFORME | 5.031-646.0 | 1 |
| 2 | SCHEIBE 10 / WASHER / RONDELLE | 7.312-062.0 | 1 |
| 3 | S-SCHEIBE 8 / LOCK WASHER / RONDELLE D'ARRET | 7.343-303.0 | 1 |
| 4 | FORMTEIL SCHLAUCHTR / MOULDED PART / PREFORME | 5.031-647.0 | 1 |
| 5 | ZAPFEN / PIN / TOURILLON | 5.108-190.0 | 1 |
| 6 | O-RING 6,07X 1,78 / GASKET / BAQUE D'ETANCHEITE | 6.362-176.0 | 3 |
| 7 | SCHRAUBE M 6X 6 / SCREW / VIS | 7.306-086.0 | 1 |
| 8 | HAKEN / HOOK / PATERE | 4.037-013.0 | 1 |
| 9 | O-RING KPL./1ST.-R. / GASKET / BAQUE D'ETANCHEITE | 6.362-466.0 | 1 |
| 10 | HUELSE / SLEEVE / DOUILLE | 5.110-818.0 | 1 |
| 11 | O-RING 8 X 2 / GASKET / BAQUE D'ETANCHEITE | 6.362-101.0 | 1 |
| 12 | 6KT-SCHR. M8X12 / HEXAGONAL HEAD SCREW / VIS HEXAGONAL | 5.304-071.0 | 1 |
| 13 | FORMTEIL / MOULDED PART / PREFORME | 5.031-702.0 | 1 |
| 14 | SCHRAUBE 4 X 22 / SCREW / VIS | 7.303-096.0 | 5 |
| 15 | FORMTEIL RECHTS / MOULDED PART / PREFORME | 5.031-645.0 | 1 |
| 16 | 6KT-MUTTER M 6 / HEXAGON NUT / ECROU HEXAGONAL | 7.311-003.0 | 4 |
| 17 | SCHRAUBE M 6X 30 / SCREW / VIS | 7.306-105.0 | 2 |
| 18 | HEBEL KPL. / LEVER / LEVIER | 4.481-157.0 | 1 |
| 20 | ROHRLEITUNG KPL. / PIPELINES / CONDUITE | 4.421-578.0 | 1 |
| 21 | KNOTENSTUECK / MANIFOLD / FERRURE NODALE | 5.427-248.0 | 1 |
| 22 | UE-MUTTER / UNION NUT / ECROU RACOURD | 5.311-206.0 | 1 |
| 23 | S-SCHEIBE 7 / LOCK WASHER / RONDELLE D'ARRET | 7.343-300.0 | 1 |
| 24 | ERSATZTEILSET / SPARE PARTS KIT / KIT DE PIECES | 2.880-296.0 | 1 |
| 25 | HALTER PISTOLE / BRACKET / FIXATION | 5.044-082.0 | 1 |
| 26 | BUEGEL / STRAP / ETRIER | 5.034-542.0 | 1 |
| 27 | O-RING 12,42 KOMPL / GASKET / BAQUE D'ETANCHEITE | 6.362-575.0 | 1 |
| 28 | KABELBAND / CABLE TIE / PROTECT. DE CABLE | 6.641-458.0 | 2 |
| 29 | ZYL.SCHR. M 6X 40 / CHEESE HEAD SCREW / VIS A TETE CYLINDR. | 6.304-039.0 | 2 |

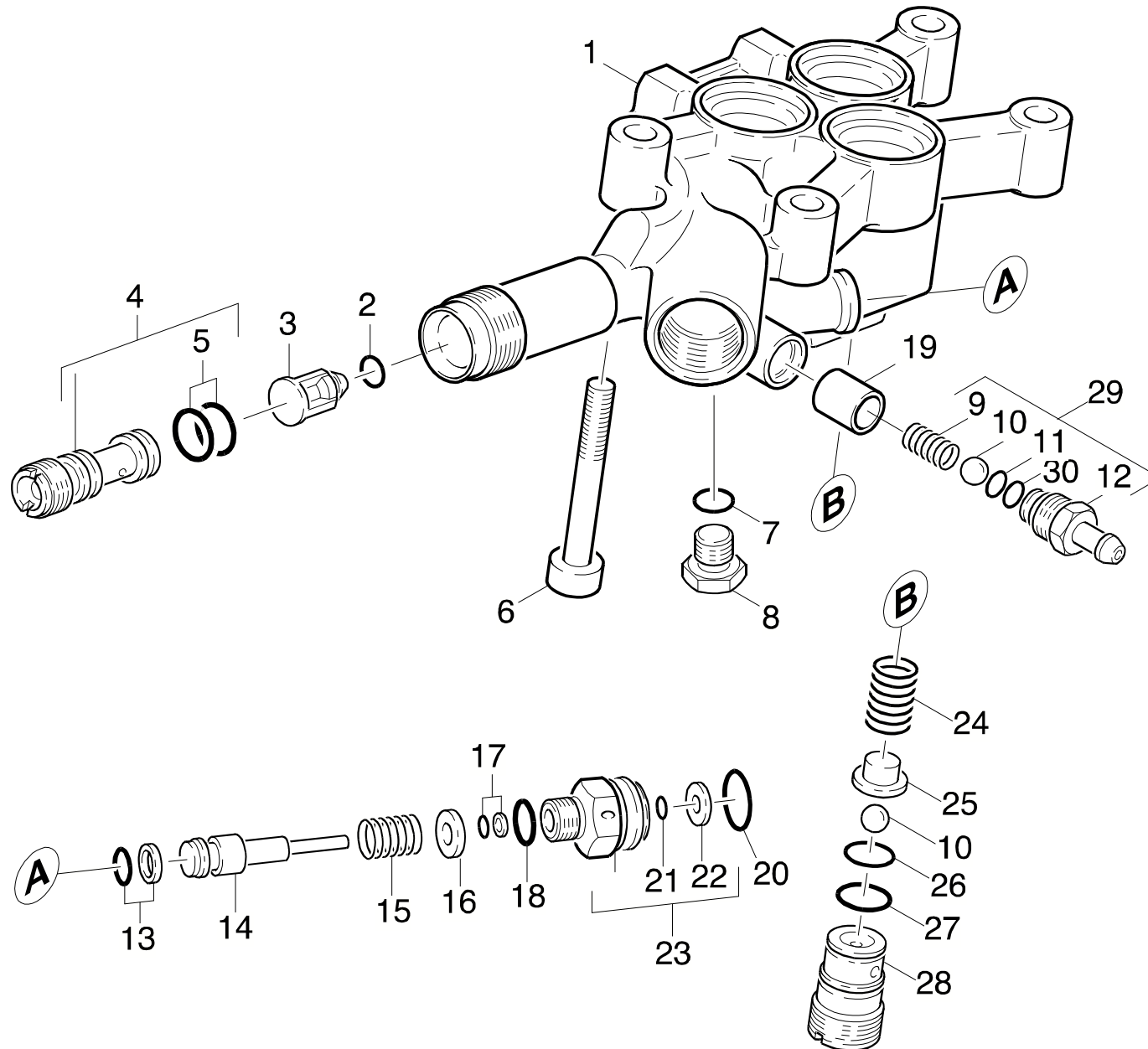
"=> xxxxxx" = bis Werknummer / up to serial No. / jusqu' au No. de fabr. / "xxxxxx =>" = ab Werknummer / from serial No. / a partir du No. de fabr. /

GRUPPE: 2.0 PUMPENSATZ
GROUP: 2.0 PUMP SET
GRUPPE: 2.0 JEU (ENSEMBLE) DE POMPE

A2

HD 690 SX

GRUPPE: 2.0 PUMPENSATZ
GROUP: 2.0 PUMP SET
GRUPPE: 2.0 JEU (ENSEMBLE) DE POMPE



Symbolbeschreibung siehe M16 / symbol description see M16 / désignation de système voir M16 /

GRUPPE: 2.1 ZYLINDERKOPF
GROUP: 2.1 CYLINDER HEAD
GROUPE: 2.1 CULASSE

C2

HD 690 SX

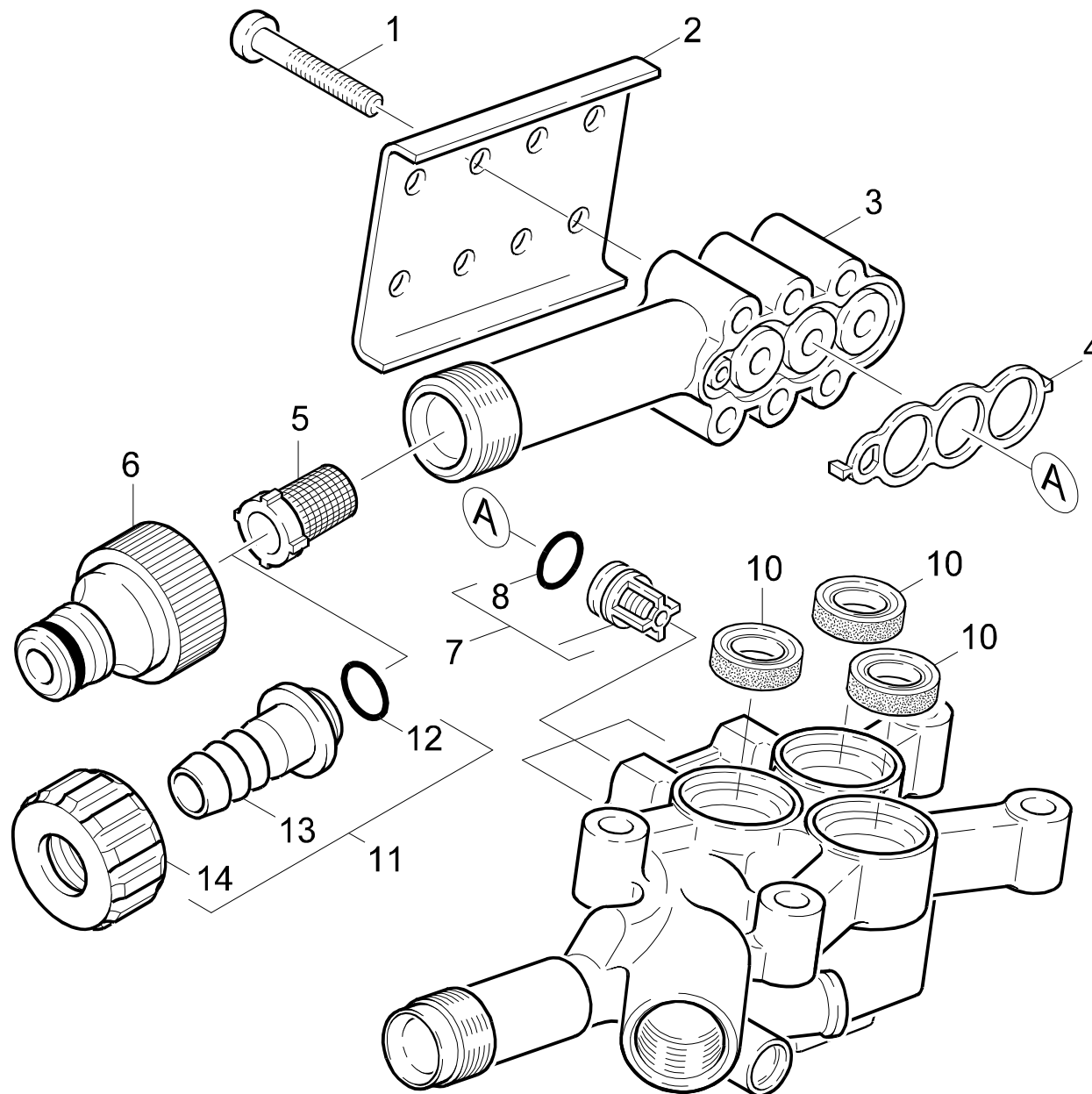
| POS. ITM. POS. | BENNENUNG DESCRIPTION DESIGNATION | TEILE-NR. PART-NO. NO.PIECE | STCK QTY. NBR. |
|----------------------|--|-----------------------------------|----------------------|
| 1 | ZYLINDERKOPF / CYLINDER HEAD / CULASSE | 5.550-244.0 | 1 |
| 2 | O-RING 4 X 2 / GASKET / BAQUE D'ETANCHEITE | 6.362-851.0 | 1 |
| 3 | VENTILBOLZEN RV-VEN / VALVE PIN / BOULON DE SOUPAPE | 5.584-091.0 | 1 |
| 4 | DUESENEINSATZ / NOZZLE INSERT / INSERT DE BUSE | 4.769-034.0 | 1 |
| 5 | O-RING 9,0 X 1,5 / GASKET / BAQUE D'ETANCHEITE | 6.362-384.0 | 2 |
| 6 | ZYL.SCHR. M 8X 60 / CHEESE HEAD SCREW / VIS A TETE CYLINDR. | 7.306-047.0 | 4 |
| 7 | O-RING 8 X 2 / GASKET / BAQUE D'ETANCHEITE | 6.362-101.0 | 1 |
| 8 | VERSCHLUSSSCHRAUBE / CLOSING SCREW / VIS DE FERMETURE | 5.411-070.0 | 1 |
| 9 | SCHRAUBENFEDER / HELICAL SPRING / RESSORT CYLINDRIQUE | 5.332-258.0 | 1 |
| 10 | KUGEL 7,0 G40 / BALL / BOULE | 7.401-909.0 | 1 |
| 11 | O-RING 5,28X 1,78 / GASKET / BAQUE D'ETANCHEITE | 6.362-175.0 | 1 |
| 12 | NIPPEL CHEMIE / NIPPLE / NIPPLE | 5.443-448.0 | 1 |
| 13 | O-RING KPL./1ST.-R. / GASKET / BAQUE D'ETANCHEITE | 6.362-467.0 | 1 |
| 14 | KOLBEN KPL. / PISTON / PISTON | 4.553-183.0 | 1 |
| 15 | SCHRAUBENFEDER / HELICAL SPRING / RESSORT CYLINDRIQUE | 5.332-157.0 | 1 |
| 16 | SCHEIBE / WASHER / RONDELLE | 5.115-616.0 | 1 |
| 17 | O-RING 2,9 KOMPL / GASKET / BAQUE D'ETANCHEITE | 6.362-587.0 | 1 |
| 18 | O-RING 9,5 X 2,0 / GASKET / BAQUE D'ETANCHEITE | 6.362-528.0 | 1 |
| 19 | HUELSE / SLEEVE / DOUILLE | 5.110-714.0 | 1 |
| 20 | O-RING 15,6 X 1,78 / GASKET / BAQUE D'ETANCHEITE | 6.362-634.0 | 1 |
| 21 | O-RING 2,9 X 1,78 / GASKET / BAQUE D'ETANCHEITE | 6.362-586.0 | 1 |
| 22 | SCHEIBE / WASHER / RONDELLE | 5.115-597.0 | 1 |
| 23 | VERSCHLUSSSCHRAUBE / CLOSING SCREW / VIS DE FERMETURE | 4.411-008.0 | 1 |
| 24 | SCHRAUBENFEDER / HELICAL SPRING / RESSORT CYLINDRIQUE | 5.332-203.0 | 1 |
| 25 | VENTILTELLER / VALVE DISC / TETE DE SOUPAPE | 5.582-119.0 | 1 |
| 26 | O-RING 11,0 X 2,0 / GASKET / BAQUE D'ETANCHEITE | 6.363-273.0 | 1 |
| 27 | O-RING 12,0 X 2,0 / GASKET / BAQUE D'ETANCHEITE | 6.362-169.0 | 1 |
| 28 | VENTILSCHRAUBE / VALVE SCREW / VIS POINTEAU (SOUP.) | 5.583-187.0 | 1 |
| 29 | ERSATZTEILSET -CHEMIE / SPARE PARTS KIT / KIT DE PIECES | 2.883-862.0 | 1 |
| 30 | O-RING 8,0 X 1,0 / GASKET / BAQUE D'ETANCHEITE | 6.362-451.0 | 1 |
| 100 | PUMPENSET HD650/690 / PUMP SET / GROUPE DE POMPES | 2.883-869.0 | 1 |

"=> xxxxxx" = bis Werknummer / up to serial No. / jusqu' au No. de fabr. / "xxxxxx =>" = ab Werknummer / from serial No. / a partir du No. de fabr. /

GRUPPE: 2.2 SAUGSEITE
GROUP: 2.2 SUCTION SIDE
GRUPPE: 2.2 COTE ASPIRANT

D2

HD 690 SX



Symbolbeschreibung siehe M16 / symbol description see M16 / désignation de système voir M16 /

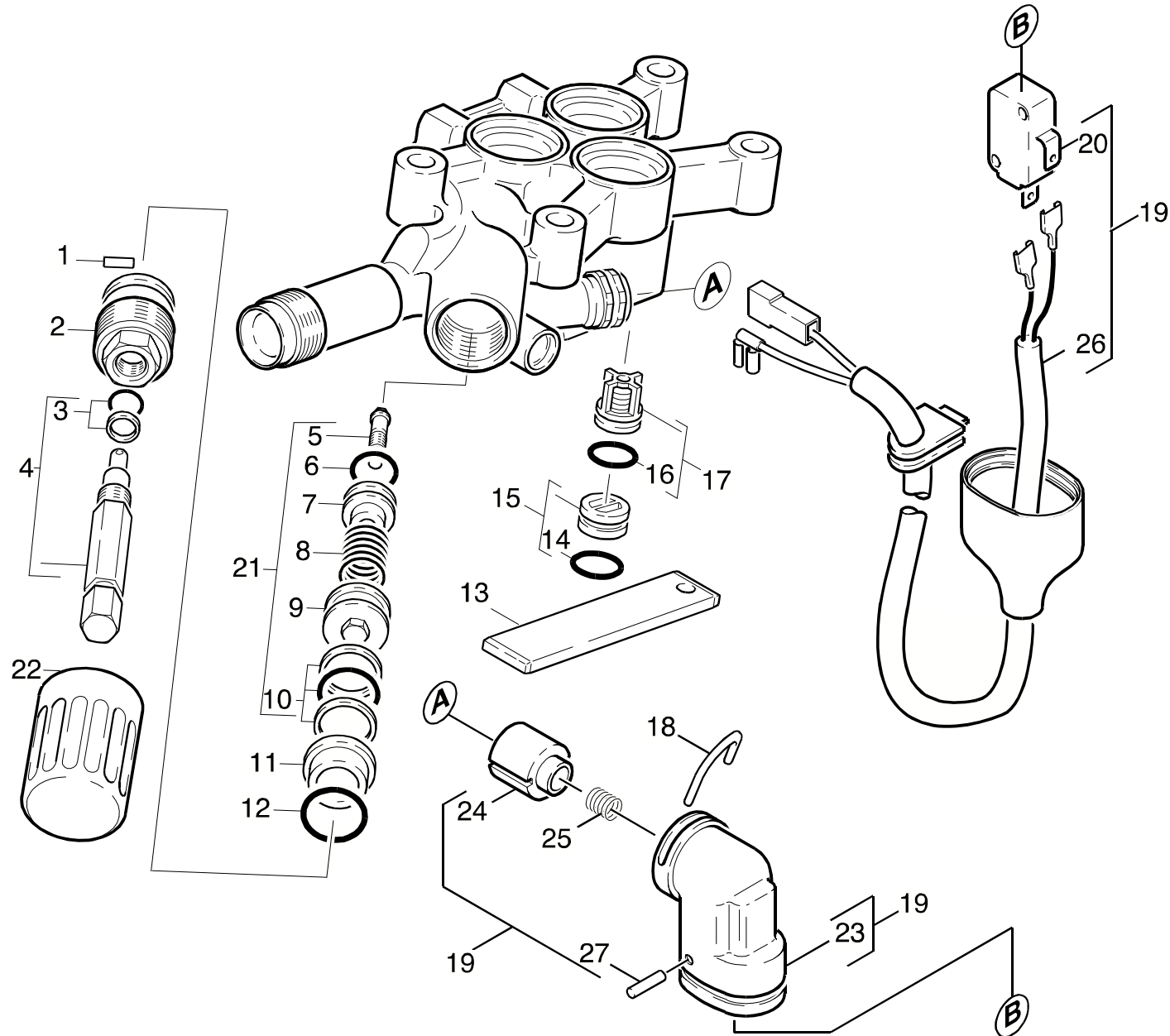
GRUPPE: 2.2 SAUGSEITE
GROUP: 2.2 SUCTION SIDE
GROUPE: 2.2 COTE ASPIRANT

E2

HD 690 SX

| POS. ITM. POS. | BENNENUNG DESCRIPTION DESIGNATION | TEILE-NR. PART-NO. NO.PIECE | STCK QTY. NBR. |
|----------------------|--|-----------------------------------|----------------------|
| 1 | SCHRAUBE M 6X 40 / SCREW / VIS | 7.306-129.0 | 4 |
| 2 | PLATTE (SAUGDECKEL) / PLATE / PLAQUE | 5.003-068.0 | 1 |
| 3 | SAUGDECKEL / COVER / COUVERCLE | 5.063-616.0 | 1 |
| 4 | PROFILDICHTUNG / SEAL / ETOUPE PROFILE | 5.365-182.0 | 1 |
| 5 | SIEB / STRAINER / CREPINE | 6.414-252.0 | 1 |
| 6 | ANSCHLUSS 3/4" / CONNECTION / RACCORD | 6.389-870.0 | 1 |
| 7 | VENTIL KPL. / VALVE / SOUPE | 4.580-311.0 | 3 |
| 8 | O-RING 10 X 2,2 / GASKET / BAQUE D'ETANCHEITE | 6.362-077.0 | 3 |
| 10 | NUTRING 14X22X5.3 / GROOVED RING / JOINT A LEVRES | 6.365-432.0 | 3 |
| 11 | VERSCHRAUBUNGSTEIL / SCREW UNION PART / PIECE (RACCORD A VIS) | 4.401-070.0 | 1 |
| 12 | O-RING 13,3 X 2,4 / GASKET / BAQUE D'ETANCHEITE | 6.362-078.0 | 1 |
| 13 | SCHLAUCHNIPPEL / HOSE STEM / RACCORD DE FLEXIBLE | 5.443-229.0 | 1 |
| 14 | MUTTER / NUT / ECROU | 5.310-065.0 | 1 |
| 100 | PUMPENSET HD650/690 / PUMP SET / GROUPE DE POMPES | 2.883-869.0 | 1 |

"=> xxxxxx" = bis Werknummer / up to serial No. / jusqu' au No. de fabr. / "xxxxxx =>" = ab Werknummer / from serial No. / a partir du No. de fabr. /



Symbolbeschreibung siehe M16 / symbol description see M16 / désignation de système voir M16 /

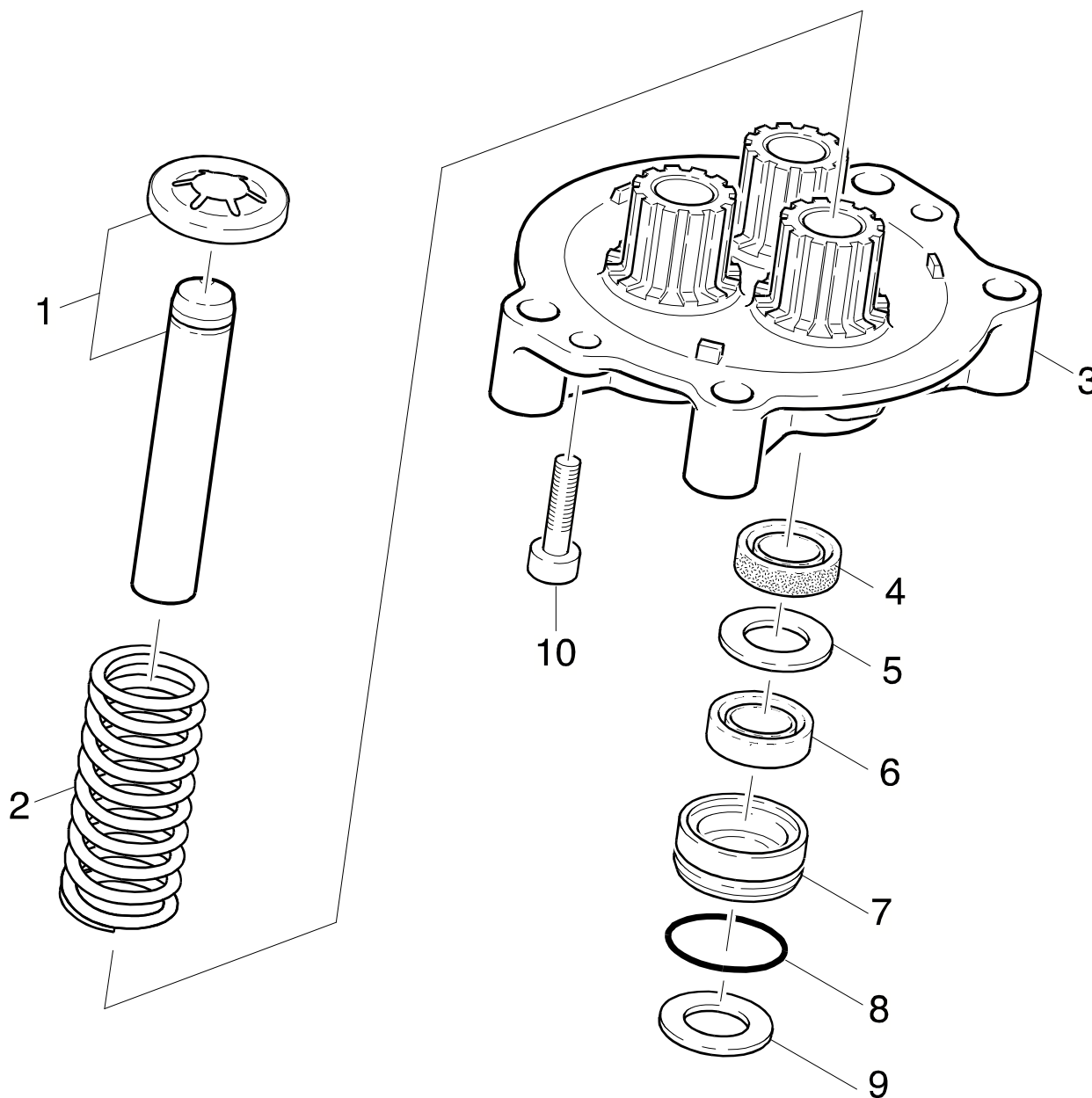
GRUPPE: 2.3 DRUCKSEITE
GROUP: 2.3 PHYSICAL PAGE
GROUPE: 2.3 COTE REFOULEMENT

G2

HD 690 SX

| POS. ITM. POS. | BENNENUNG DESCRIPTION DESIGNATION | TEILE-NR. PART-NO. NO.PIECE | STCK QTY. NBR. |
|----------------------|--|-----------------------------------|----------------------|
| 1 | KNEBELKERBS. 2,0X10 / GROOVED PIN / GOUPILLE CANNELEE | 7.314-629.0 | 1 |
| 2 | VENTILSCHRAUBE / VALVE SCREW / VIS POINTEAU (SOUP.) | 5.583-147.0 | 1 |
| 3 | O-RING KPL./1ST.-R. / GASKET / BAQUE D'ETANCHEITE | 6.362-468.0 | 1 |
| 4 | SPINDEL KPL. / SPINDLE / PIVOT | 4.291-014.0 | 1 |
| 5 | FORMSCHRAUBE / FORM SCREW / VIS | 5.305-264.0 | 1 |
| 6 | O-RING 12,0 X 2,0 / GASKET / BAQUE D'ETANCHEITE | 6.362-169.0 | 1 |
| 7 | VENTILSITZ / VALVE SEAT / SIEGE DE SOUPAPE | 5.581-230.0 | 1 |
| 8 | SCHRAUBENFEDER / HELICAL SPRING / RESSORT CYLINDRIQUE | 5.332-425.0 | 1 |
| 9 | KOLBEN / PISTON / PISTON | 5.553-390.0 | 1 |
| 10 | O-RING KPL./2ST.-R. / GASKET / BAQUE D'ETANCHEITE | 6.362-454.0 | 1 |
| 11 | HUELSE / SLEEVE / DOUILLE | 5.110-630.0 | 1 |
| 12 | O-RING 18,0 X 2,0 / GASKET / BAQUE D'ETANCHEITE | 6.362-989.0 | 1 |
| 13 | PLATTE / PLATE / PLAQUE | 5.003-983.0 | 1 |
| 14 | O-RING 11,0 X 2,0 / GASKET / BAQUE D'ETANCHEITE | 6.363-273.0 | 3 |
| 15 | VERSCHLUSSTOPFEN / DRAIN PLUG / BOUCHON | 4.132-007.0 | 4 |
| 16 | O-RING 10 X 2,2 / GASKET / BAQUE D'ETANCHEITE | 6.362-077.0 | 3 |
| 17 | VENTIL KPL. / VALVE / SOUPAPE | 4.580-311.0 | 3 |
| 18 | BUEGEL / STRAP / ETRIER | 5.034-494.0 | 1 |
| 19 | SCHALTER KPL. / SWITCH / INTERRUPTEUR | 4.744-109.0 | 1 |
| 20 | MIKROSCHALTER / MICRO SWITCH / MICRORUPTEUR | 6.631-807.0 | 1 |
| 21 | UEBERSTROEMVENTIL / BYPASS VALVE / SOUPAPE DE TROP-PLEIN | 4.591-038.0 | 1 |
| 22 | GRIFF / HANDLE / POIGNEE | 5.321-307.0 | 1 |
| 23 | HALTER / BRACKET / FIXATION | 5.042-860.0 | 1 |
| 24 | KONSOLE / BRACKET / CONSOLE | 5.053-051.0 | 1 |
| 25 | FEDER / SPRING / RESSORT | 5.332-322.0 | 1 |
| 26 | STEUERKABEL / TRAILING CABLE / PENDENTIF | 6.647-818.0 | 1 |
| 27 | ZYL.KERBSTI. 3,0X20 / GROOVED PIN / GOUPILLE CAN. | 7.314-664.0 | 1 |
| 100 | PUMPENSET HD650/690 / PUMP SET / GROUPE DE POMPES | 2.883-869.0 | 1 |

"=> xxxxxx" = bis Werknummer / up to serial No. / jusqu' au No. de fabr. / "xxxxxx =>" = ab Werknummer / from serial No. / a partir du No. de fabr. /



Symbolbeschreibung siehe M16 / symbol description see M16 / désignation de système voir M16 /

GRUPPE: 2.4 KOLBEN
GROUP: 2.4 PISTON
GROUPE: 2.4 PISTON

I2

HD 690 SX

| POS. ITM. POS. | BENNENUNG DESCRIPTION DESIGNATION | TEILE-NR. PART-NO. NO.PIECE | STCK QTY. NBR. |
|----------------------|---|-----------------------------------|----------------------|
| 1 | KOLBEN KPL. / PISTON / PISTON | 4.553-192.0 | 3 |
| 2 | FEDER / SPRING / RESSORT | 5.332-427.0 | 3 |
| 3 | GERADSCHUBFUEHRUNG / THRUST GUIDANCE / BOITIER | 5.060-677.0 | 1 |
| 4 | NUTRING 14X22X5/7 / GROOVED RING / JOINT A LEVRES | 6.365-340.0 | 3 |
| 5 | SCHEIBE / WASHER / RONDELLE | 5.115-744.0 | 3 |
| 6 | KOMPAKTDICHTUNG / SEAL / JOINT | 6.365-438.0 | 1 |
| 7 | BUCHSE / BUSH / DOUILLE | 5.112-576.0 | 3 |
| 8 | O-RING 24,0 X 1,5 / GASKET / BAQUE D'ETANCHEITE | 6.362-376.0 | 3 |
| 9 | SCHEIBE / WASHER / RONDELLE | 5.115-465.0 | 3 |
| 10 | SCHRAUBE M 6X 16 / SCREW / VIS | 7.303-047.0 | 2 |
| 100 | PUMPENSET HD650/690 / PUMP SET / GROUPE DE POMPES | 2.883-869.0 | 1 |

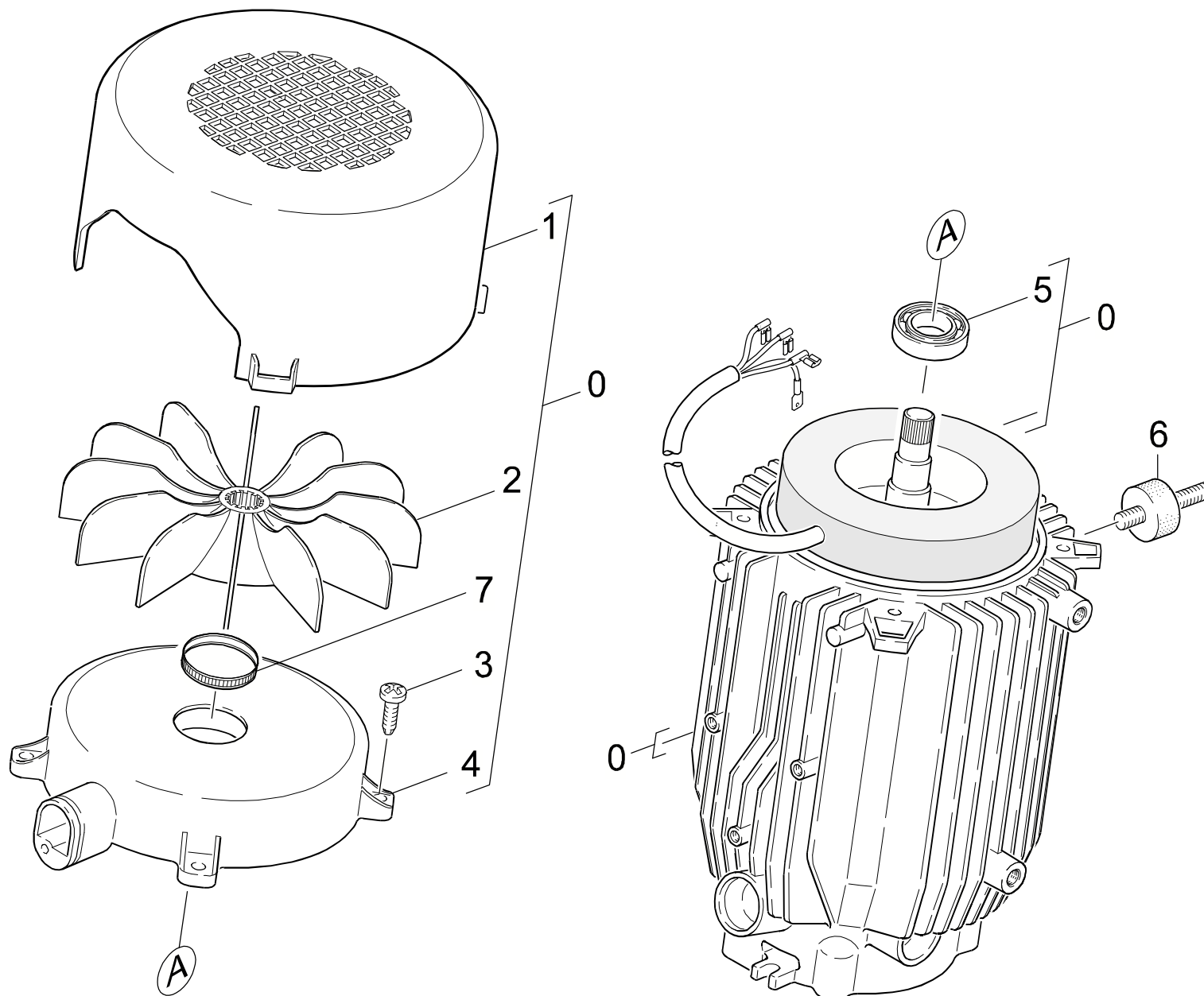
"=> xxxxxx" = bis Werknummer / up to serial No. / jusqu' au No. de fabr. / "xxxxxx =>" = ab Werknummer / from serial No. / a partir du No. de fabr. /

GRUPPE: 3.0 MOTOR
GROUP: 3.0 MOTOR
GRUPPE: 3.0 MOTEUR

A3

HD 690 SX

GRUPPE: 3.0 MOTOR
GROUP: 3.0 MOTOR
GRUPPE: 3.0 MOTEUR



Symbolbeschreibung siehe M16 / symbol description see M16 / désignation de système voir M16 /

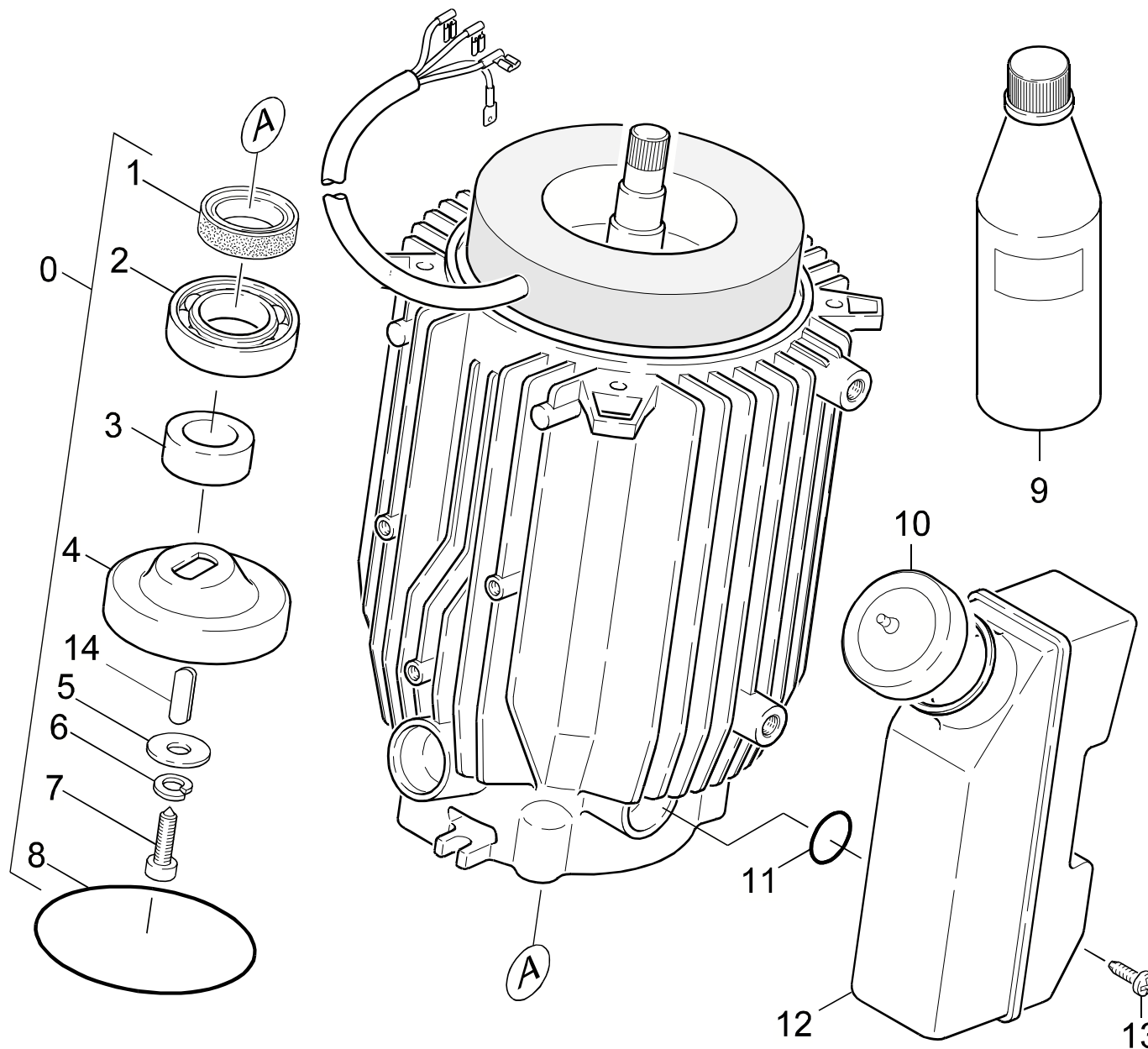
GRUPPE: 3.1 LUEFTUNG
GROUP: 3.1 VENTILATION
GRUPPE: 3.1 VENTILATION

C3

HD 690 SX

| POS. | BENNENUNG | TEILE-NR. | STCK |
|------|--|-------------|------|
| ITM. | DESCRIPTION | PART-NO. | QTY. |
| POS. | DESIGNATION | NO.PIECE | NBR. |
| 0 | MOTOR KPL. (DS) / MOTOR / MOTEUR | 4.623-388.0 | 1 |
| 1 | LUFTFUEHRUNG / AIR CIRCULATION / ALIMENTATION (AIR) | 5.692-033.0 | 1 |
| 2 | LUEFTERRAD / BLOWER WHEEL / ROUE DE VENTILATEUR | 5.600-060.0 | 1 |
| 3 | SCHRAUBE M 5X 20 / SCREW / VIS | 7.303-041.0 | 1 |
| 4 | DECKEL / COVER / COUVERCLE | 5.063-802.0 | 1 |
| 5 | RILLENKUGELLAGER / BALL BEARING / ROULEMENT A BILLES | 6.401-331.0 | 1 |
| 6 | GUMMIPUFFER / RUBBER BUFFER / BUTOIR CAOUTCHOUC | 6.339-182.0 | 2 |
| 7 | TOLERANZRING 35X6 / TOLERANCE RING / BAGUE | 6.343-015.0 | 1 |

"=> xxxxxx" = bis Werknummer / up to serial No. / jusqu' au No. de fabr. / "xxxxxx =>" = ab Werknummer / from serial No. / a partir du No. de fabr. /



Symbolbeschreibung siehe M16 / symbol description see M16 / désignation de système voir M16 /

GRUPPE: 3.2 ANTRIEB
GROUP: 3.2 ACTUATION
GROUPE: 3.2 ENTRAINEMENT

E3

HD 690 SX

| POS. ITM. POS. | BENNENUNG DESCRIPTION DESIGNATION | TEILE-NR. PART-NO. NO.PIECE | STCK QTY. NBR. |
|----------------------|--|-----------------------------------|----------------------|
| 0 | MOTOR KPL. (DS) / MOTOR / MOTEUR | 4.623-388.0 | 1 |
| 1 | RWDR A25 X 35 X 7 / ROTARY SHAFT SEAL / JOINT (ARBRE) | 7.367-008.0 | 1 |
| 2 | SCHRAEGKUGELLAGER / ANG.BALL BEARING / ROULEMENT A BILLES | 6.401-332.0 | 1 |
| 3 | BUCHSE / BUSH / DOUILLE | 5.112-576.0 | 1 |
| 4 | TAUMELSCHEIBE KPL. / SWASH PLATE / DISQUE EN NUTATION | 4.120-181.0 | 1 |
| 5 | SCHEIBE 8 / WASHER / RONDELLE | 7.312-277.0 | 1 |
| 6 | FEDERRING B 8 / SPRING WASHER / RONDELLE GROWER | 7.313-004.0 | 1 |
| 7 | ZYL.SCHR. M 8X 25 / CHEESE HEAD SCREW / VIS A TETE CYLINDR. | 7.306-042.0 | 1 |
| 8 | O-RING 88.0X 2.2 / GASKET / BAQUE D'ETANCHEITE | 6.362-768.0 | 1 |
| 9 | GETRIEBEOEL 1L / GEAR LUBRICANT OIL / HUILE A ENGRENAGES | 6.288-016.0 | 1 |
| 10 | DECKEL / COVER / COUVERCLE | 5.063-195.0 | 1 |
| 11 | O-RING 19,3 X 2,4 / GASKET / BAQUE D'ETANCHEITE | 6.362-161.0 | 1 |
| 12 | BEHAELTER OEL / TANK / BAC | 5.070-489.0 | 1 |
| 13 | SCHRAUBE M 5X 12 / SCREW / VIS | 7.303-038.0 | 1 |
| 14 | PASSFEDER 5X 5X 18 / SPRING / RESSORT D'ADJUSTAGE | 7.318-003.0 | 1 |

"=> xxxxxx" = bis Werknummer / up to serial No. / jusqu' au No. de fabr. / "xxxxxx =>" = ab Werknummer / from serial No. / a partir du No. de fabr. /

GRUPPE: 4.0 ZUBEHOER
GROUP: 4.0 ACCESSORIES
GRUPPE: 4.0 ACCESSOIRES

A4

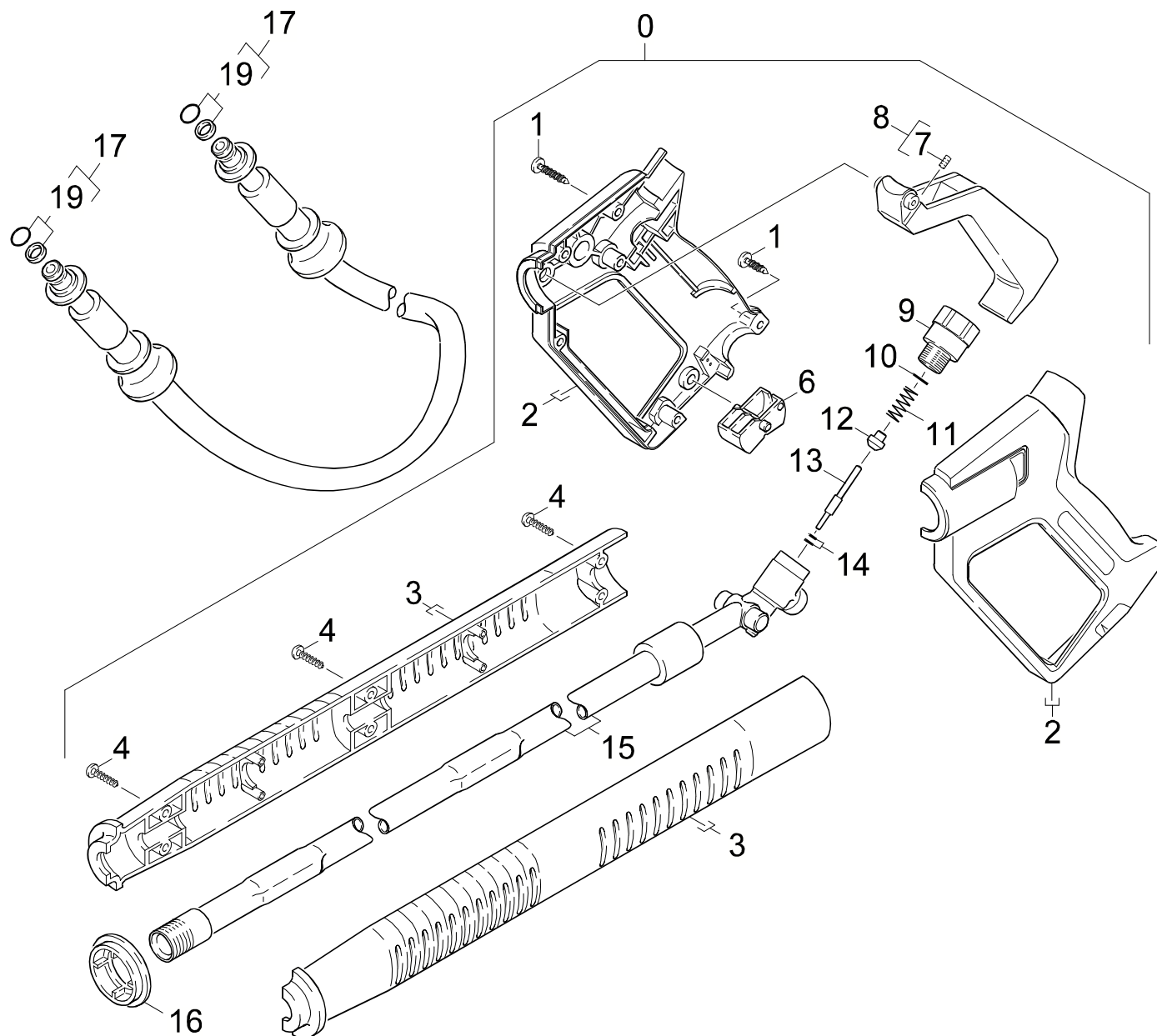
HD 690 SX

GRUPPE: 4.0 ZUBEHOER
GROUP: 4.0 ACCESSORIES
GRUPPE: 4.0 ACCESSOIRES

GRUPPE: 4.1 HANDSPRITZPISTOLE / VERSION 1 /
GROUP: 4.1 TRIGGER GUN / VERSION 1 /
GRUPPE: 4.1 POIGNEE PISTOLET / VERSION 1 /

B4

HD 690 SX



Symbolbeschreibung siehe M16 / symbol description see M16 / désignation de système voir M16 /

GRUPPE: 4.1 HANDSPRITZPISTOLE / VERSION 1 /
GROUP: 4.1 TRIGGER GUN / VERSION 1 /
GROUPE: 4.1 POIGNEE PISTOLET / VERSION 1 /

C4

HD 690 SX

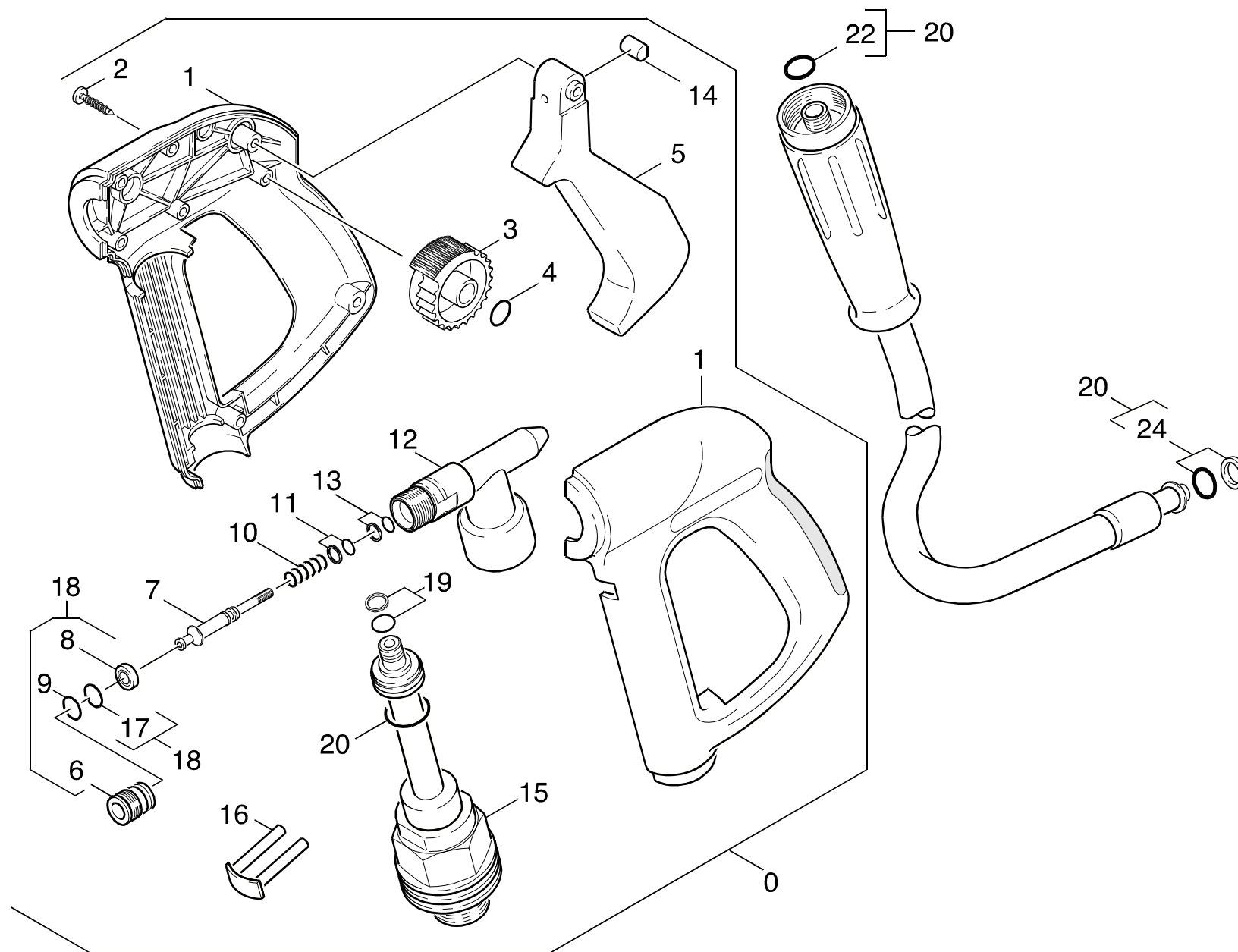
| POS. ITM. POS. | BENNENUNG DESCRIPTION DESIGNATION | TEILE-NR. PART-NO. NO.PIECE | STCK QTY. NBR. |
|----------------------|---|-----------------------------------|----------------------|
| 0 | HANDSPRITZPISTOLE / TRIGGER GUN / POIGNEE PISTOLET | 4.775-296.0 | 1 |
| 1 | LINSENSCHR. 4,2X22 / OVAL HEAD SCREW / VIS A TETE BOMBEE | 6.303-024.0 | 6 |
| 2 | GRIFFPAAR / HANDLES / BRANCHES POIGNEE | 5.321-590.0 | 1 |
| 3 | GRIFFPAAR / HANDLES / BRANCHES POIGNEE | 5.321-691.0 | 1 |
| 4 | LINSENSCHR. 4,2X16 / OVAL HEAD SCREW / VIS A TETE BOMBEE | 6.303-025.0 | 7 |
| 6 | HEBEL / LEVER / LEVIER | 5.481-052.0 | 1 |
| 7 | GEW.STIFT M 8X 16 / THREADED PIN / VIS SANS TETE | 7.307-417.0 | 1 |
| 8 | HEBEL / LEVER / LEVIER | 4.481-050.0 | 1 |
| 9 | MANOMETER / PRESSURE GAUGE / MANOMETRE | 6.421-216.0 | 1 |
| 10 | O-RING 12,42X 1,78 / GASKET / BAQUE D'ETANCHEITE | 6.362-584.0 | 1 |
| 11 | SCHRAUBENFEDER / HELICAL SPRING / RESSORT CYLINDRIQUE | 5.332-157.0 | 1 |
| 12 | VENTILTeller / VALVE DISC / TETE DE SOUPAPE | 5.582-058.0 | 1 |
| 13 | STANGE / BAR / TIGE | 5.107-259.0 | 1 |
| 14 | O-RING KPL./1ST.-R. / GASKET / BAQUE D'ETANCHEITE | 6.362-571.0 | 1 |
| 15 | KNOTENSTUECK / MANIFOLD / FERRURE NODALE | 4.427-183.0 | 1 |
| 16 | FORMTEIL / MOULDED PART / PREFORME | 5.031-259.0 | 1 |
| 17 | HD-SCHLAUCH DN6 / HIGH PRESSURE HOSE / TUYAU FLEXIBLE HAUTE PRE. | 6.390-465.0 | 1 |
| 19 | O-RING KPL./1ST.-R. / GASKET / BAQUE D'ETANCHEITE | 6.363-115.0 | 1 |

"=> xxxxxx" = bis Werknummer / up to serial No. / jusqu' au No. de fabr. / "xxxxxx =>" = ab Werknummer / from serial No. / a partir du No. de fabr. /

GRUPPE: 4.2 HANDSPRITZPISTOLE / VERSION 2 /
GROUP: 4.2 TRIGGER GUN / VERSION 2 /
GRUPPE: 4.2 POIGNEE PISTOLET / VERSION 2 /

D4

HD 690 SX



Symbolbeschreibung siehe M16 / symbol description see M16 / désignation de système voir M16 /

GRUPPE: 4.2 HANDSPRITZPISTOLE / VERSION 2 /
GROUP: 4.2 TRIGGER GUN / VERSION 2 /
GROUPE: 4.2 POIGNEE PISTOLET / VERSION 2 /

E4

HD 690 SX

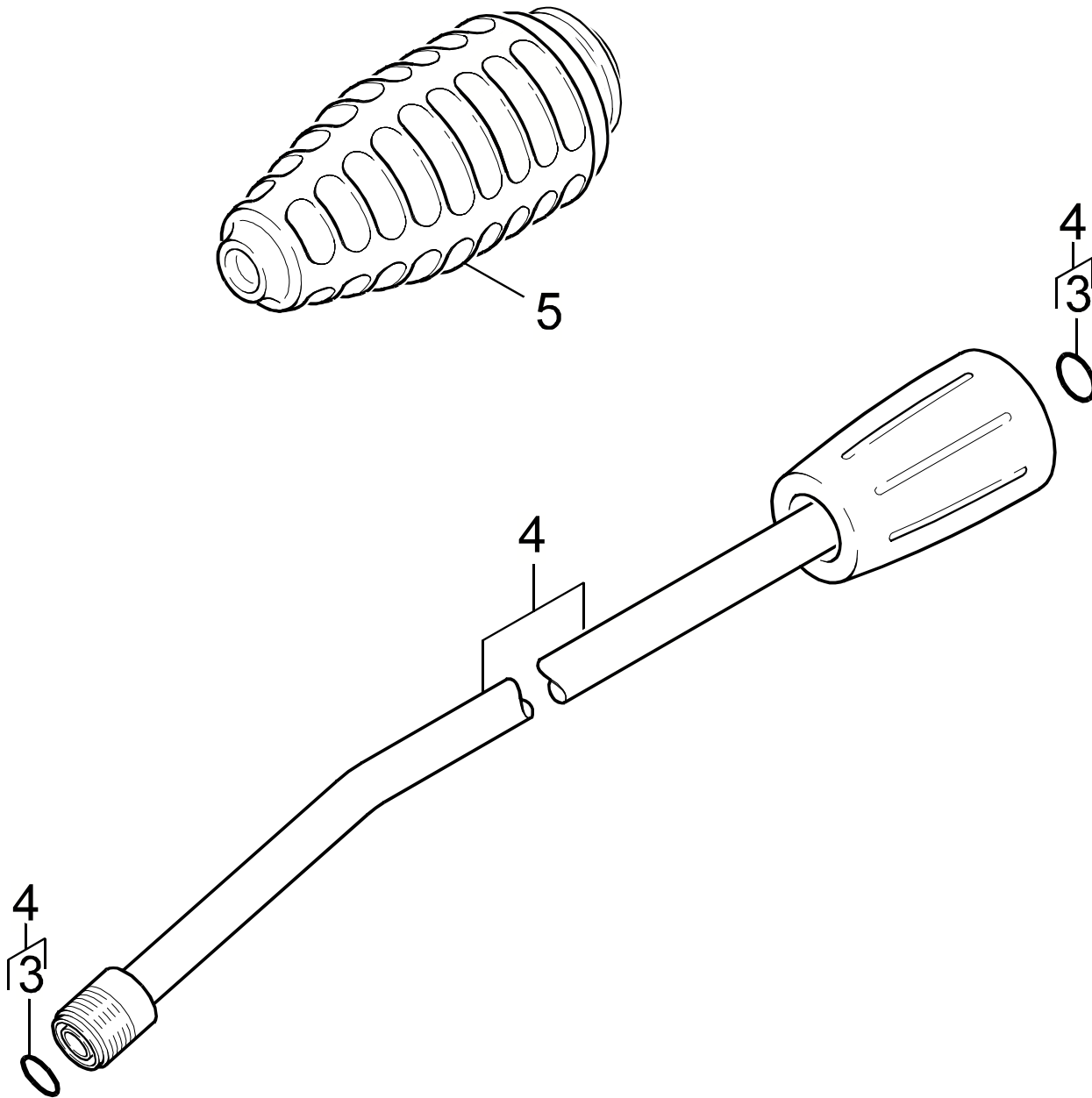
| POS. ITM. POS. | BENNENUNG DESCRIPTION DESIGNATION | TEILE-NR. PART-NO. NO.PIECE | STCK QTY. NBR. |
|----------------------|--|-----------------------------------|----------------------|
| 0 | HANDSPRITZPISTOLE / TRIGGER GUN / POIGNEE PISTOLET | 4.775-282.0 | 1 |
| 1 | GRIFFPAAAR / HANDLES / BRANCHES POIGNEE | 5.321-494.0 | 1 |
| 2 | SCHRAUBE 4,2X 22 / SCREW / VIS | 6.303-150.0 | 8 |
| 3 | HANDRAD / HAND WHEEL / VOLANT | 5.322-011.0 | 1 |
| 4 | O-RING 7,65X 1,78 / GASKET / BAQUE D'ETANCHEITE | 6.362-642.0 | 1 |
| 5 | HEBEL / LEVER / LEVIER | 5.481-178.0 | 1 |
| 7 | KOLBEN / PISTON / PISTON | 5.553-347.0 | 1 |
| 10 | SCHRAUBENFEDER / HELICAL SPRING / RESSORT CYLINDRIQUE | 5.332-384.0 | 1 |
| 11 | SCHEIBE / WASHER / RONDELLE | 5.115-675.0 | 1 |
| 12 | KNOTENSTUECK / MANIFOLD / FERRURE NODALE | 5.427-205.0 | 1 |
| 13 | O-RING KPL.2,6X1,9 / GASKET / BAQUE D'ETANCHEITE | 6.362-992.0 | 1 |
| 14 | BOLZEN / BOLT / BOULON | 5.316-400.0 | 1 |
| 15 | ADAPTER ROHRLEITUNG / ADAPTER / ADAPTATEUR | 4.421-275.0 | 1 |
| 16 | HAKEN / HOOK / PATERE | 4.037-013.0 | 1 |
| 17 | O-RING KPL./1ST.-R. / GASKET / BAQUE D'ETANCHEITE | 6.362-365.0 | 1 |
| 19 | O-RING KPL./1ST.-R. / GASKET / BAQUE D'ETANCHEITE | 6.363-115.0 | 1 |
| 20 | HD-SCHLAUCH DN 6 / HIGH PRESSURE HOSE / TUYAU FLEXIBLE HAUTE PRE. | 6.390-174.0 | 1 |
| 21 | SCHEIBE / WASHER / RONDELLE | 5.115-661.0 | 1 |
| 22 | ERSATZTEILSET / SPARE PARTS KIT / KIT DE PIECES | 2.880-296.0 | 1 |
| 23 | O-RING 4,7 X 1,9 / GASKET / BAQUE D'ETANCHEITE | 6.362-486.0 | 1 |
| 100 | ET-SET / SPARE PARTS SET / JEU DE PIECES DECHANGE | 2.883-903.0 | 1 |

"=> xxxxxx" = bis Werknummer / up to serial No. / jusqu' au No. de fabr. / "xxxxxx =>" = ab Werknummer / from serial No. / a partir du No. de fabr. /

GRUPPE: 4.3 STRAHLROHR / VERSION 1 /
GROUP: 4.3 JET PIPE / VERSION 1 /
GRUPPE: 4.3 LANCE D'INCENDIE / VERSION 1 /

F4

HD 690 SX



Symbolbeschreibung siehe M16 / symbol description see M16 / désignation de système voir M16 /

GRUPPE: 4.3 STRAHLROHR / VERSION 1 /
GROUP: 4.3 JET PIPE / VERSION 1 /
GRUPPE: 4.3 LANCE D'INCENDIE / VERSION 1 /

G4

HD 690 SX

| POS. | BENNENUNG | TEILE-NR. | STCK |
|------|-------------|-----------|------|
| ITM. | DESCRIPTION | PART-NO. | QTY. |
| POS. | DESIGNATION | NO.PIECE | NBR. |

| | | | |
|---|--|-------------|---|
| 3 | ERSATZTEILSET / SPARE PARTS KIT / KIT DE PIECES | 2.880-296.0 | 1 |
| 4 | STRAHLROHR / JET PIPE / LANCE D'INCENDIE | 4.760-356.0 | 1 |
| 5 | ROTORDUESE 04 / ROTARY NOZZLE / BUSE JET ROTATIF | 4.763-252.0 | 1 |

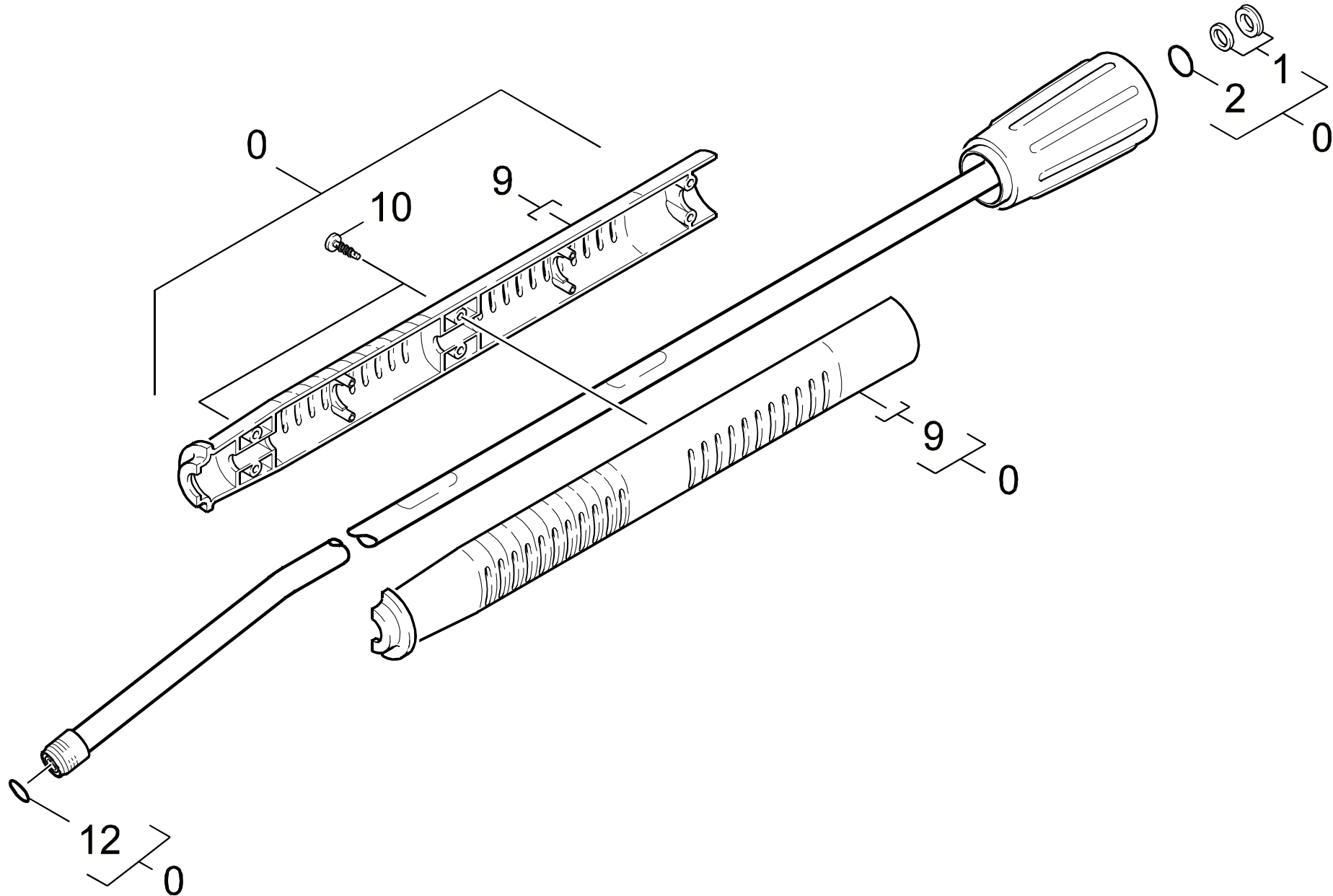
/ 1.151-401.0 / -411.0

"=> xxxxxx" = bis Werknummer / up to serial No. / jusqu' au No. de fabr. / "xxxxxx =>" = ab Werknummer / from serial No. / a partir du No. de fabr. /

GRUPPE: 4.4 STRAHLROHR / VERSION 2 /
GROUP: 4.4 JET PIPE / VERSION 2 /
GRUPPE: 4.4 LANCE D'INCENDIE / VERSION 2 /

H4

HD 690 SX



Symbolbeschreibung siehe M16 / symbol description see M16 / désignation de système voir M16 /

GRUPPE: 4.4 STRAHLROHR / VERSION 2 /
GROUP: 4.4 JET PIPE / VERSION 2 /
GRUPPE: 4.4 LANCE D'INCENDIE / VERSION 2 /

I4

HD 690 SX

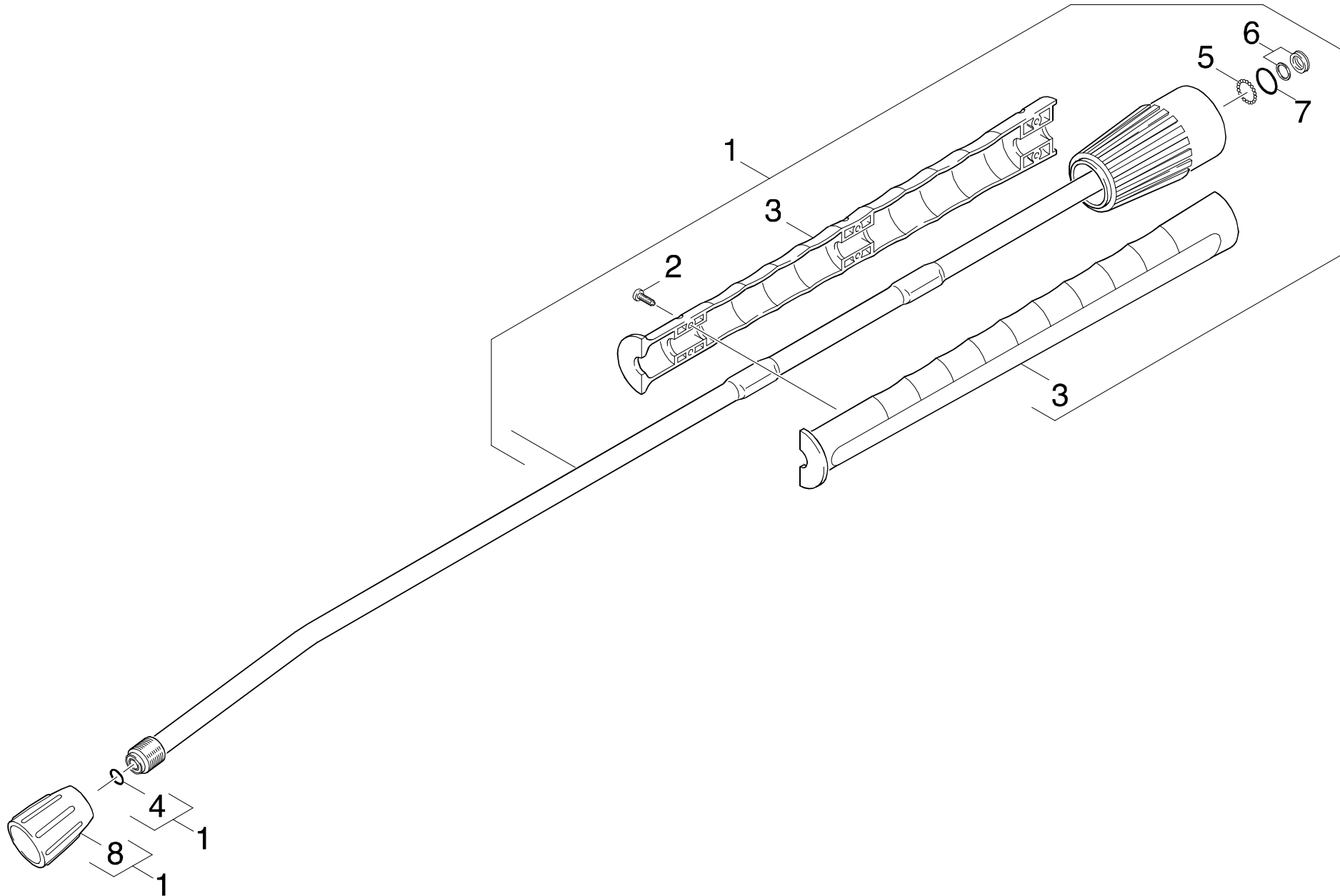
| POS. ITM. POS. | BENNENUNG DESCRIPTION DESIGNATION | TEILE-NR. PART-NO. NO.PIECE | STCK QTY. NBR. |
|----------------------|--|-----------------------------------|----------------------|
| 0 | STRAHLROHR 840MM / JET PIPE / LANCE D'INCENDIE | 4.760-560.0 | 1 |
| 1 | NUTRING KPL.1ST.R. / GROOVED RING / JOINT A LEVRES | 6.362-532.0 | 1 |
| 2 | O-RING 17,0 X 1,5 / GASKET / BAQUE D'ETANCHEITE | 6.362-524.0 | 1 |
| 9 | GRIFFPaar / HANDLES / BRANCHES POIGNEE | 5.321-691.0 | 1 |
| 10 | LINSENSCHR. 4,2X16 / OVAL HEAD SCREW / VIS A TETE BOMBEE | 6.303-025.0 | 6 |
| 12 | O-RINGSET / GASKET SET / JUE DE BAGUES D'ENTCHEITE | 2.880-154.0 | 1 |

"=> xxxxxx" = bis Werknummer / up to serial No. / jusqu' au No. de fabr. / "xxxxxx =>" = ab Werknummer / from serial No. / a partir du No. de fabr. /

GRUPPE: 4.5 STRAHLROHR / VERSION 3 /
GROUP: 4.5 JET PIPE / VERSION 3 /
GRUPPE: 4.5 LANCE D'INCENDIE / VERSION 3 /

J4

HD 690 SX



Symbolbeschreibung siehe M16 / symbol description see M16 / désignation de système voir M16 /

GRUPPE: 4.5 STRAHLROHR / VERSION 3 /
GROUP: 4.5 JET PIPE / VERSION 3 /
GROUPE: 4.5 LANCE D'INCENDIE / VERSION 3 /

K4

HD 690 SX

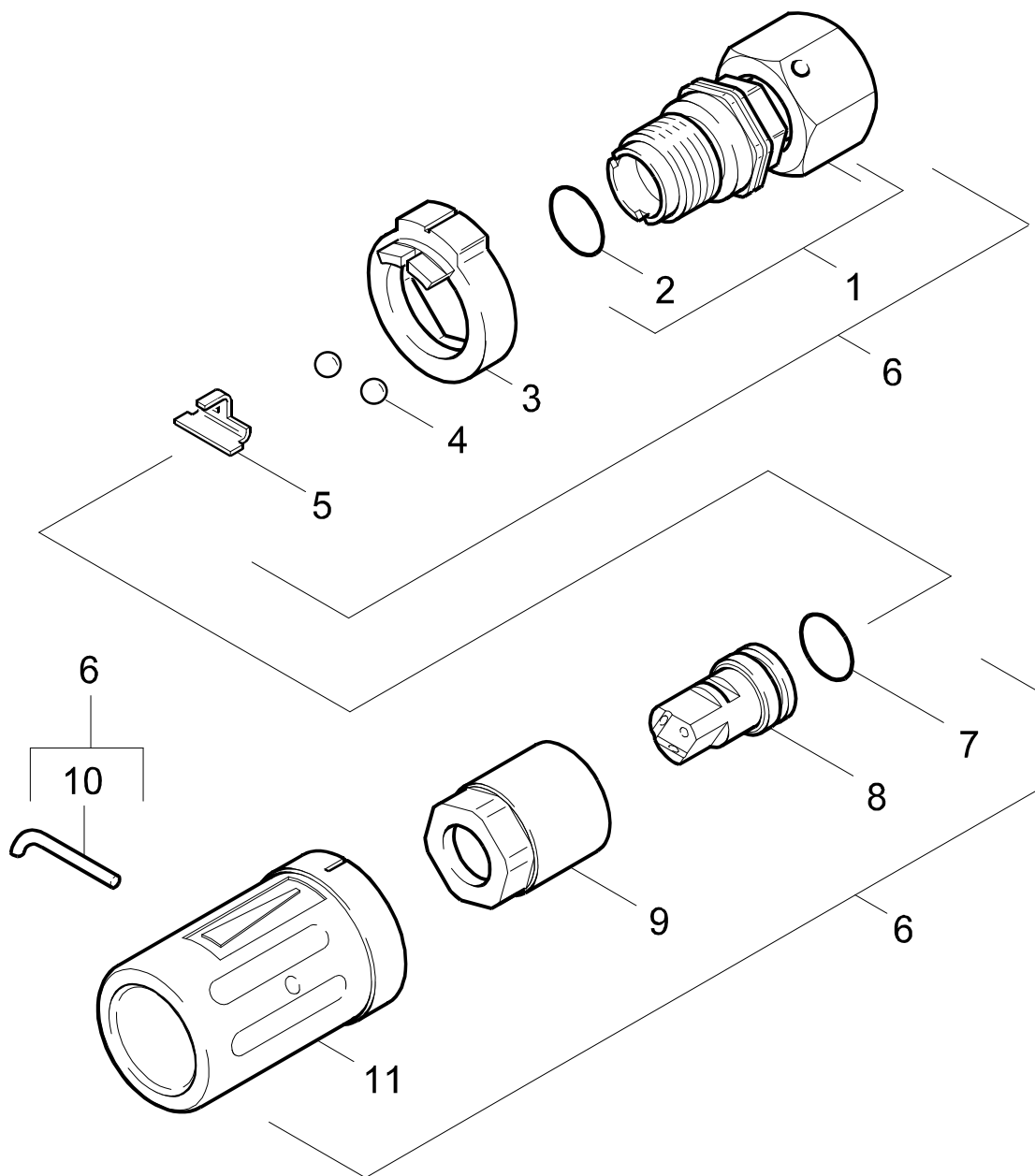
| POS. ITM. POS. | BENNENUNG DESCRIPTION DESIGNATION | TEILE-NR. PART-NO. NO.PIECE | STCK QTY. NBR. |
|----------------------|--|-----------------------------------|----------------------|
| 1 | STRAHLROHR 840MM / JET PIPE / LANCE D'INCENDIE | 4.760-560.0 | 1 |
| 2 | SCHRAUBE 4 X 16 / SCREW / VIS | 7.303-129.0 | 6 |
| 3 | GRIFFPaar / HANDLES / BRANCHES POIGNEE | 5.321-691.0 | 1 |
| 4 | ERSATZTEILSET / SPARE PARTS KIT / KIT DE PIECES | 2.880-296.0 | 1 |
| 5 | KUGEL 2,5 G40 / BALL / BOULE | 7.401-915.0 | 20 |
| 6 | NUTRING KPL.1ST.R. / GROOVED RING / JOINT A LEVRES | 6.362-532.0 | 1 |
| 7 | O-RING 17,0 X 1,5 / GASKET / BAQUE D'ETANCHEITE | 6.362-524.0 | 1 |
| 8 | VERSCHRAUBUNGSTEIL / SCREW UNION PART / PIECE (RACCORD A VIS) | 5.401-210.0 | 1 |

"=> xxxxxx" = bis Werknummer / up to serial No. / jusqu' au No. de fabr. / "xxxxxx =>" = ab Werknummer / from serial No. / a partir du No. de fabr. /

GRUPPE: 4.6 DUESE
GROUP: 4.6 NOZZLE
GRUPPE: 4.6 BUSE

L4

HD 690 SX



Symbolbeschreibung siehe M16 / symbol description see M16 / désignation de système voir M16 /

GRUPPE: 4.6 DUESE
GROUP: 4.6 NOZZLE
GROUPE: 4.6 BUSE

M4

HD 690 SX

| POS. ITM. POS. | BENNENNUNG DESCRIPTION DESIGNATION | TEILE-NR. PART-NO. NO.PIECE | STCK QTY. NBR. |
|----------------------|--|-----------------------------------|----------------------|
| 1 | SCHRAUBSTUTZEN / SCREW UNION / RACCORD FILETE | 4.402-042.0 | 1 |
| 2 | O-RING 14,0 X 2,5 / GASKET / BAQUE D'ETANCHEITE | 6.362-460.0 | 1 |
| 3 | FORMTEIL / MOULDED PART / PREFORME | 5.030-528.0 | 1 |
| 4 | KUGEL 5,0 KL3 / BALL / BOULE | 7.401-902.0 | 2 |
| 5 | HALTER / BRACKET / FIXATION | 5.042-405.0 | 1 |
| 6 | DREIFACHDUESE 042 / TRIPLE JET NOZZLE / GICLEUR TRIPLE / 1.151-203.0 | 4.763-164.0 | 1 |
| 6 | DREIFACHDUESE 040 / TRIPLE JET NOZZLE / GICLEUR TRIPLE / 1.151-201.0 / -202.0 / -401.0 / -411.0 | 4.763-212.0 | 1 |
| 7 | O-RING 12,42X 1,78 / GASKET / BAQUE D'ETANCHEITE | 6.362-480.0 | 1 |
| 8 | DREISTRAHLDUESE 04 / TRIPLE JET NOZZLE / GICLEUR TRIPLE / 1.151-201.0 / -202.0 / -401.0 / -411.0 | 6.415-527.0 | 1 |
| 8 | DREISTRAHLDUESE 042 / TRIPLE JET NOZZLE / GICLEUR TRIPLE / 1.151-203.0 | 6.415-593.0 | 1 |
| 9 | 6KT-MUTTER / HEXAGON NUT / ECROU HEXAGONAL | 5.311-117.0 | 1 |
| 10 | HAKEN / HOOK / PATERE | 5.037-059.0 | 1 |
| 11 | SCHUTZTEIL / PROTECTION PART / PARTIE PROTECTEUR | 5.394-269.0 | 1 |

"=> xxxxxx" = bis Werknummer / up to serial No. / jusqu' au No. de fabr. / "xxxxxx =>" = ab Werknummer / from serial No. / a partir du No. de fabr. /

GRUPPE: 5.0 E-SHRANK
GROUP: 5.0 ELECTRIC CONTROL BOX
GRUPPE: 5.0 COFFRET ELECTRIQUE

A5

HD 690 SX

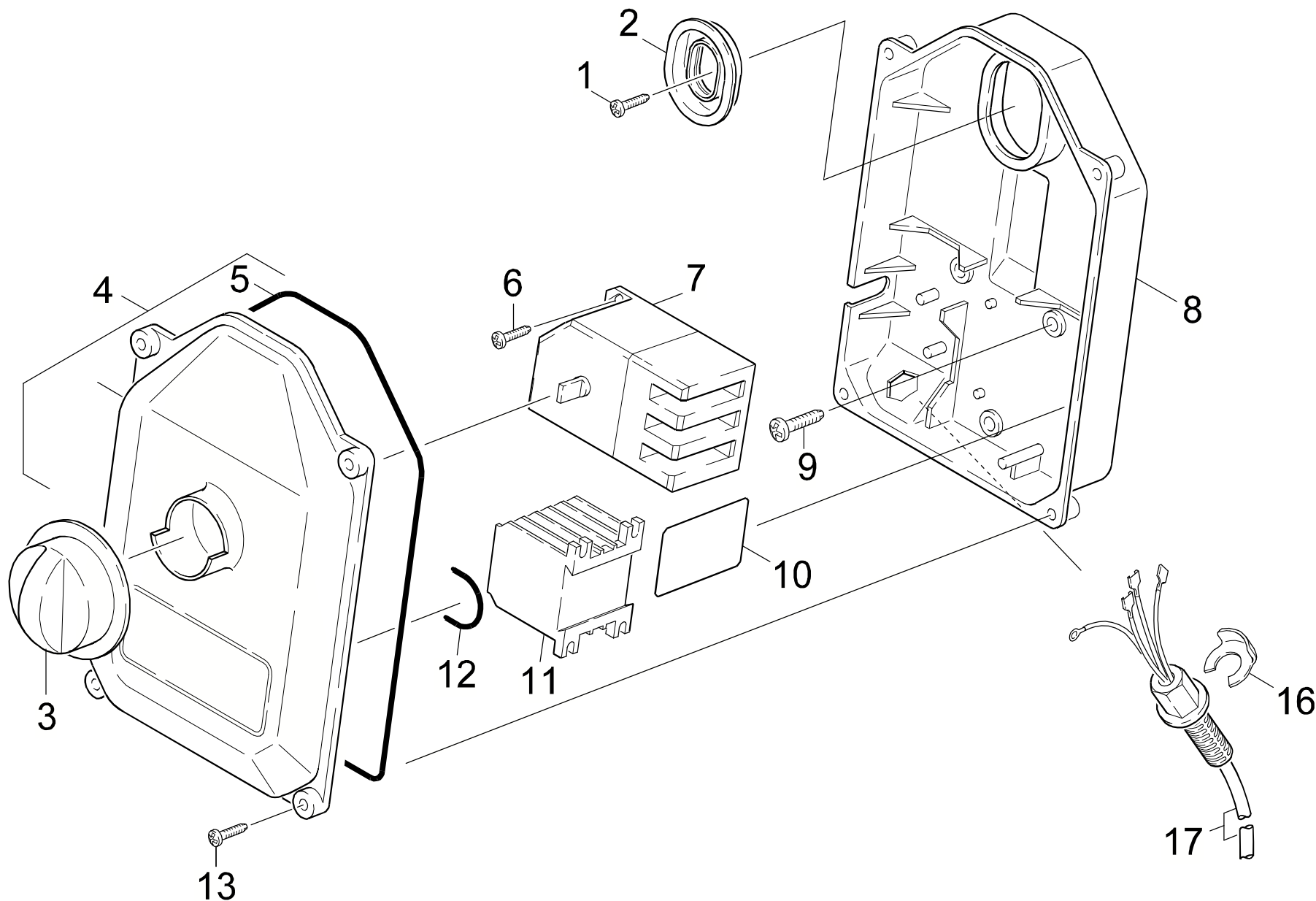
GRUPPE: 5.0 E-SHRANK
GROUP: 5.0 ELECTRIC CONTROL BOX
GRUPPE: 5.0 COFFRET ELECTRIQUE

Ersatzteile unter www.gluesing.net

GRUPPE: 5.0 E-SCHRANK
GROUP: 5.0 ELECTRIC CONTROL BOX
GRUPPE: 5.0 COFFRET ELECTRIQUE

B5

HD 690 SX



Symbolbeschreibung siehe M16 / symbol description see M16 / désignation de système voir M16 /

GRUPPE: 5.0 E-SCHRANK
 GROUP: 5.0 ELECTRIC CONTROL BOX
 GROUPE: 5.0 COFFRET ELECTRIQUE

C5

HD 690 SX

| POS. | BENNENUNG | TEILE-NR. | STCK |
|------|-------------|-----------|------|
| ITM. | DESCRIPTION | PART-NO. | QTY. |
| POS. | DESIGNATION | NO.PIECE | NBR. |

| | | | |
|---|---|-------------|---|
| 1 | SCHRAUBE M 4X 10 / SCREW / VIS | 7.303-031.0 | 1 |
| 2 | PROFILDICHTUNG / SEAL / ETOUPE PROFILE | 5.365-181.0 | 1 |
| 3 | DREHGRIF / HANDLE / POIGNEE | 5.321-594.0 | 1 |
| 4 | DECKEL KPL. / COVER / COUVERCLE | 4.063-709.0 | 1 |
| 5 | MOOSGUMMISCHNUR 4 / CELLULAR RUBBER CORD / CORDON EN CAOUTCHOUC CELL | 6.273-070.0 | 1 |

**ALS METERWARE BESTELLEN/TO ORDER AS CUT
 GOODS/COMMANDE COMME MARCHANDISE AU METRE**

| | | | |
|----|---|-------------|---|
| 6 | SCHRAUBE 3,5X 12 / SCREW / VIS | 7.303-093.0 | 1 |
| 7 | MOTORSCHUTZSCHALTER / MOTOR PROT. SWITCH / RELAIS (MOTEUR) | 6.631-190.0 | 1 |
| 8 | GEHAEUSE / HOUSING / BOITIER | 5.060-941.0 | 1 |
| 9 | SCHRAUBE M 5X 15 / SCREW / VIS | 6.303-153.0 | 1 |
| 10 | BLECH / PLATE / TOLE | 5.048-251.0 | 1 |
| 11 | SCHUETZ 4,0KW/380V / CONTACTOR / CONTACTEUR / 1.151-201.0 / -401.0 | 6.632-173.0 | 1 |
| 11 | SCHUETZ 4,0KW / CONTACTOR / CONTACTEUR / 1.151-203.0 | 6.632-176.0 | 1 |
| 11 | SCHUETZ 230 V / CONTACTOR / CONTACTEUR / 1.151-202.0 | 6.632-281.0 | 1 |
| 12 | MOOSGUMMISCHNUR / CELLULAR RUBBER CORD / CORDON EN CAOUTCHOUC CELL | 6.273-104.0 | 1 |
| 13 | SCHRAUBE 5 X 20 / SCREW / VIS | 7.303-108.0 | 4 |
| 16 | SICHERUNGSLIP / SECURING CLIP / CLIP | 6.343-170.0 | 1 |
| 17 | KABEL MIT TUELLE / CABLE / CABLE / 1.151-201.0 / -401.0 | 6.647-979.0 | 1 |
| 17 | KABEL MIT TUELLE / CABLE / CABLE / 1.151-202.0 / -203.0 | 6.648-038.0 | 1 |

"=> xxxxxx" = bis Werknummer / up to serial No. / jusqu' au No. de fabr. / "xxxxxx =>" = ab Werknummer / from serial No. / a partir du No. de fabr. /

Bestellhinweis

Bei Ihrer Bestellung sind unbedingt anzugeben :

| 1. | 2. | 3. | 4. | 5. |
|--|--|---|------------------------------------|------------------------------------|
| Gerätetyp Machine model Type d'appareils | Herstell-Nr. Serial-No. No. de série | Benennung Description Désignation | Teile-Nr. Part No. Référence | Stückzahl Piece No. Quantité |



**siehe Typenschild
see name-plate
voir plaque signalétique**



**siehe Ersatzteilliste
see spare parts list
voir liste des pièces de rechange**

- Die Ersatzteile, welche als Meterware geliefert werden, sind auf Einbaulänge selbst zu kürzen. Ebenso sind die Stückzahlen in den jeweiligen Gruppen als Mindestbestellmengen = 1m angegeben und können je nach Bedarf auf weitere volle Meterzahlen erhöht und bestellt werden.
- Spare Parts which are delivered as cut goods have to be shortened to installation length. The quotation of quantity in each group refers to the minimum order quantity = 1m and may be ordered and raised to further full metre-values according to demand
- Les pièces de rechange qui sont livrées comme marchandise au mètre sont à raccourcir selon la longueur d'installation. Les indications de quantité dans chaque group se réfèrent à des valeurs de mètre de plus.
- Diese Ersatzteilliste erscheint in gedruckter Form sowie als Mikrofiche. Bei Querverweisen bezieht sich die Angabe "Seitenzahl" auf die gedruckte Ersatzteilliste und die Angabe "Bildtafel" auf die Mikrofilmausgabe.
- This spare parts list is published both in printed form and as a microfiche. In the cross-references, "page number" refers to the printed spare parts list and "display table" to the microfilm edition.
- Cette liste de pièces de rechange est aussi bien imprimée que publiée sous forme de microfiche. Les indications transversales renvoient au "numéro de page" sur la liste imprimée des pièces de rechange et à la "planche" sur la microfiche.

Bitte beachten Sie, daß der Teileumfang dieser Ersatzteilliste nicht unbedingt dem Lieferumfang Ihres Geräte entspricht.

For your information: It could be that certain parts quoted in this spare parts list were not included with the machine delivery.

Pour votre information: il se peut que certaines pièces détachées mentionnées sur la liste ne vous aient pas été livrées avec l'appareil.

Die in dieser Ersatzteilliste nicht aufgeführten Einzelteile, bestellen Sie bitte direkt beim Vertragskundendienst des jeweiligen Herstellers.

Please order the individual parts not included in this assembly directly with the contract aftersales service of the manufacturer in question.

Veillez s'il vous plaît, commander les pièces détachées qui ne sont indiquées dans notre liste des pièces détachées, directement auprès du service après-vente des fabricants en question.

Bei Bestellung von lackierten Teilen, welche in der Ersatzteilliste nicht in verschiedenen Farben ausgewiesen sind, ist zusätzlich die Farbnummer oder Farbe mit anzugeben. Diese finden Sie auf dem Typenschild oder Farbschild Ihres Gerätes.

Upon ordering of varnished parts which are not mentioned in the spare parts list as parts with different colors, kindly additionally mention the number of the color. It can be seen on the type plate of the color plate of your machine.

Commandant des parts vernissés qui ne sont pas mentionnés comme parts avec une couleur différente dans la liste des pièces détachées, veuillez mentionner de plus le numéro de la couleur. Il se trouve sur la plaque signalétique ou la plaque de couleur de votre machine.

Auflistungen von Einzelteilen bei Ersatzteil - u. Pumpensets sind in der Reihe "16" einzusehen, bzw. direkt unter dem entsprechenden Set aufgelistet.

Listings of single parts upon spare parts kits and pump kits can be seen in row "16" or directly listed below the corresponding kit.
Des établissements des pièces détachées en ce qui concerne les kits des pièces de rechange et les kits de pompes, peuvent être vus à la ligne "16" ou ils sont répertoriés directement au-dessous du jeu correspondant.

Technische Änderungen im Rahmen der Weiterentwicklung sowie das Recht der ausschließlichen Auswertung unseres geistigen Eigentums behalten wir uns vor. Vervielfältigung und Nachdruck nur mit Genehmigung und Urheberhinweis möglich.

We reserve the right to make technical changes in the course of development work and the right to make exclusive use of our intellectual property. This spare parts list may be duplicated or reprinted only with our approval and with acknowledgement of our copyright.

Nous nous réservons le droit de toutes modifications techniques dans le cadre du perfectionnement des mises au point ainsi que le droit de la mise en valeur exclusive de notre propriété intellectuelle. Polycopie et reproduction exclusivement après accord et avec mention de l'auteur.


INDEX

M16

HD 690 SX

| | | |
|---------|-----------------------------|-------|
| GRUPPE: | 1.0 EINZELTEILE | A1-E1 |
| GROUP: | 1.0 PIECE PARTS | |
| GRUPPE: | 1.0 PIECES CONSTITUANTES | |
| GRUPPE: | 2.0 PUMPENSATZ | A2-I2 |
| GROUP: | 2.0 PUMP SET | |
| GRUPPE: | 2.0 JEU (ENSEMBLE) DE POMPE | |
| GRUPPE: | 3.0 MOTOR | A3-E3 |
| GROUP: | 3.0 MOTOR | |
| GRUPPE: | 3.0 MOTEUR | |
| GRUPPE: | 4.0 ZUBEHOER | A4-M4 |
| GROUP: | 4.0 ACCESSORIES | |
| GRUPPE: | 4.0 ACCESSOIRES | |
| GRUPPE: | 5.0 E-SCHRANK | A5-C5 |
| GROUP: | 5.0 ELECTRIC CONTROL BOX | |
| GRUPPE: | 5.0 COFFRET ELECTRIQUE | |

 BEISPIEL: VERSION 1
EXAMPLE: VERSION 1
EXEMPLE: VERSION 1

 BEISPIEL: SIEHE IN GRUPPE 3
EXAMPLE: SEE IN GROUP 3
EXEMPLE: VOIR EN GROUPE 3



WICHTIGER HINWEIS
IMPORTANT REMARK
REMARCAQUAGE IMPORTANT

BESTELLHINWEIS SIEHE M15
EXAMPLE ORDER SEE M15
EXEMPLE DE COMMANDE VOIR M15

VARIANTENÜBERSICHT SIEHE L16
VARIANTS SURVEY SEE L16
VUE D'ENSEMBLE DE VARIANTS VOIR L16