

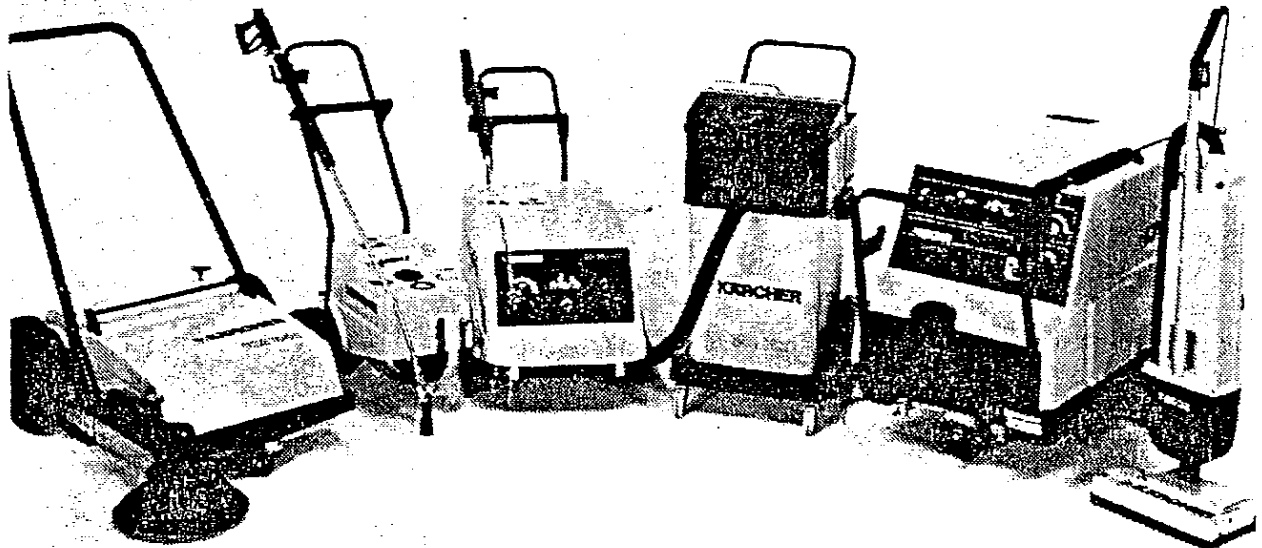


# KÄRCHER

Ersatzteilliste  
Spare Parts List  
Liste des pièces de rechange

## HDS 1200 EK

1.147-210



Ersatzteilliste  
Bestell-Nr. 5.952-489

3/88

# Ersatzteilliste



# Spare parts list

# Liste des pièces de rechange

## GRUPPENÜBERSICHT/CONTENTS/GROUPES DE PIÈCES

Gruppe  
group  
groupe

- 1 Einzelteile / Component parts / Pièces détachées
- 2 Werkzeug und Zubehör / Tool and accessories / Outils et accessoires
- 3 Grundrahmen / Base frame / Chassis
- 4 Pumpensatz / Pump set / Motor-pompe
- 5 Regelventil / Control valve / Vanne de réglage
- 6 Gebläse und Brennstoffpumpe / Blower and fuel pump / Turbine et pompe à combustible
- 7 Elektrogeräteschrank / Electric control box / Coffret électrique
- 8 Leitungssystem Wasser - Reinigungsmittel / Water supply system - detergent / Circuit d'eau - détergents
- 9 LS-Brennstoff / Fuel supply system / Circuit de combustible
- 10 Durchlauferhitzer / Heating valve / Chaudière
- 11 Schwimmerventil / Float valve / Vanne à flotteur
- 12 Haube / Cap / Capot
- 13 Handspritzpistole / Trigger gun / Poignée-pistolet
- 14 Sicherheitsblock / Safety block / Bloc de sécurité
- 15

Bestellbeispiel: siehe Rückseite / Specimen order: see back page /  
Exemple de commande voir verso

5.952-

Dieses Blatt darf nicht vervielfältigt und nicht ohne schriftliche Genehmigung dritten Personen mitgeteilt werden. Wir behalten uns das Recht der ausschließlichen Auswertung unserer geistigen Eigentums vor.

F994

# Bestellhinweis / Specimen order / Exemple de commande

Bei Ihrer Bestellung sind unbedingt anzugeben:

Always quote the following details with your order:

Mentionnez à l'occasion de chaque commande de pièces:

**1.**

Gerätetyp  
Machine model  
Type d'appareils

--

**2.**

Herstell-Nr.  
Serial-No.  
No. de série

**3.**

Benennung  
Description  
Désignation

**4.**

Teile-Nr.  
Part No.  
Référence

**5.**

Stückzahl  
Piece No.  
No. des pièces

--	--



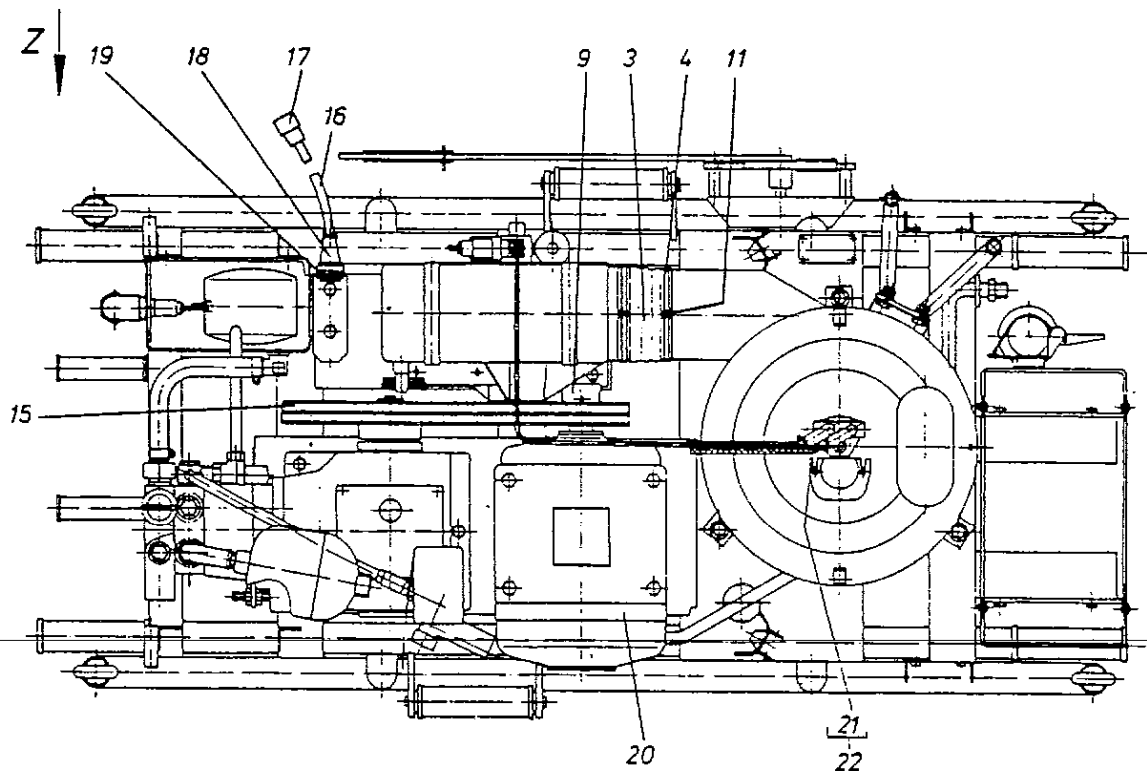
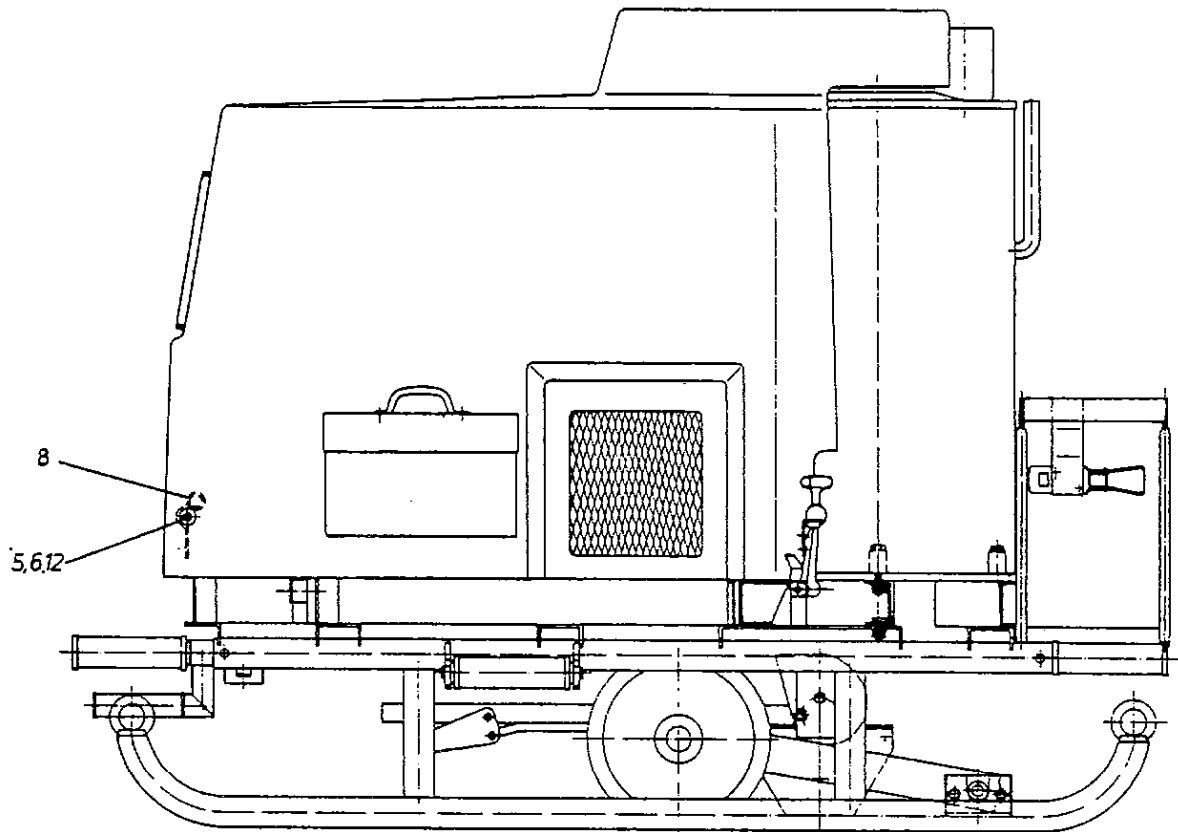
Siehe Typenschild  
See name-plate  
Voir plaque signalétique



Siehe Ersatzteilliste  
See spare parts list  
Voir liste des pièces de rechange

Gruppe: 1 Einzelteile  
Group: 1 Component parts  
Groupe: 1 Pieces detachees

HDS 1200 EK

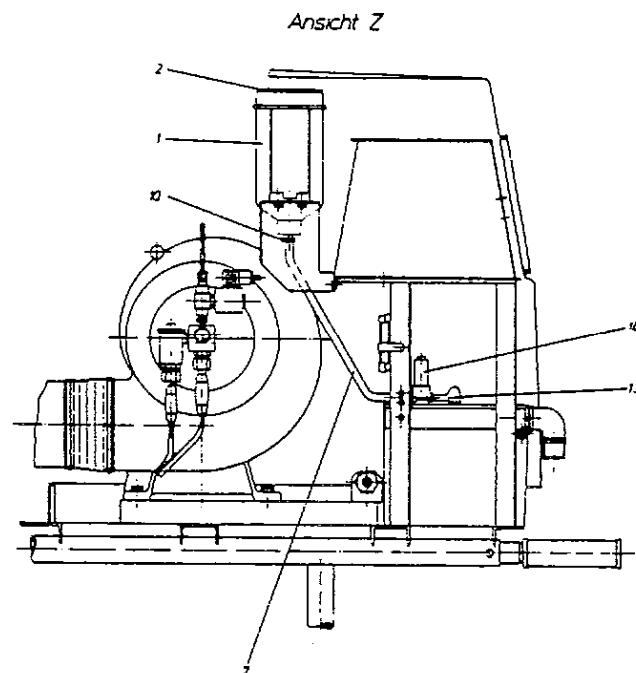


---

Gruppe: 1 Einzelteile  
Group: 1 Component parts  
Groupe: 1 Pieces detachees

---

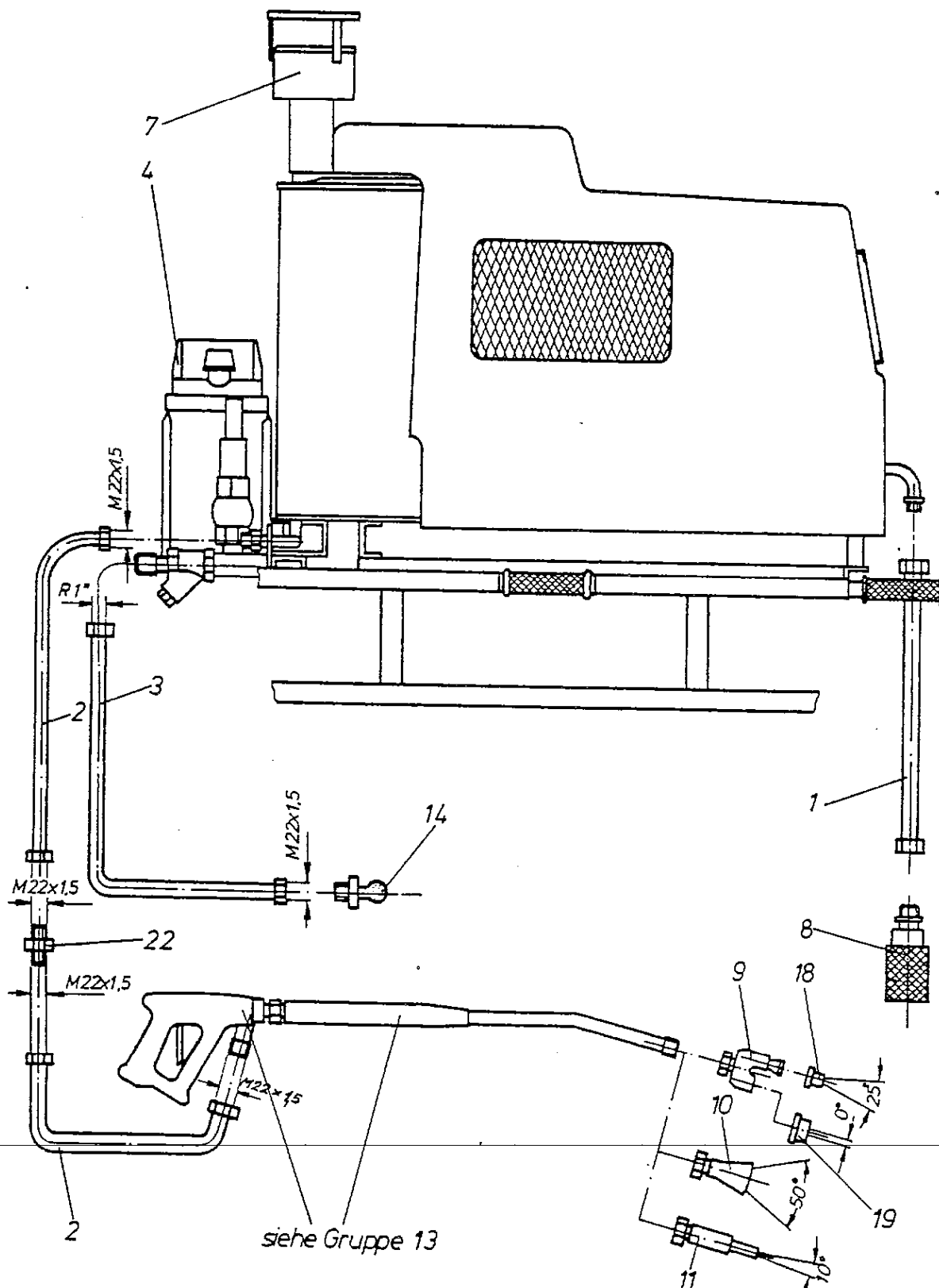
HDS 1200 EK



Gruppe: 1 Einzelteile  
Group: 1 Component parts  
Groupe: 1 Pieces detachees

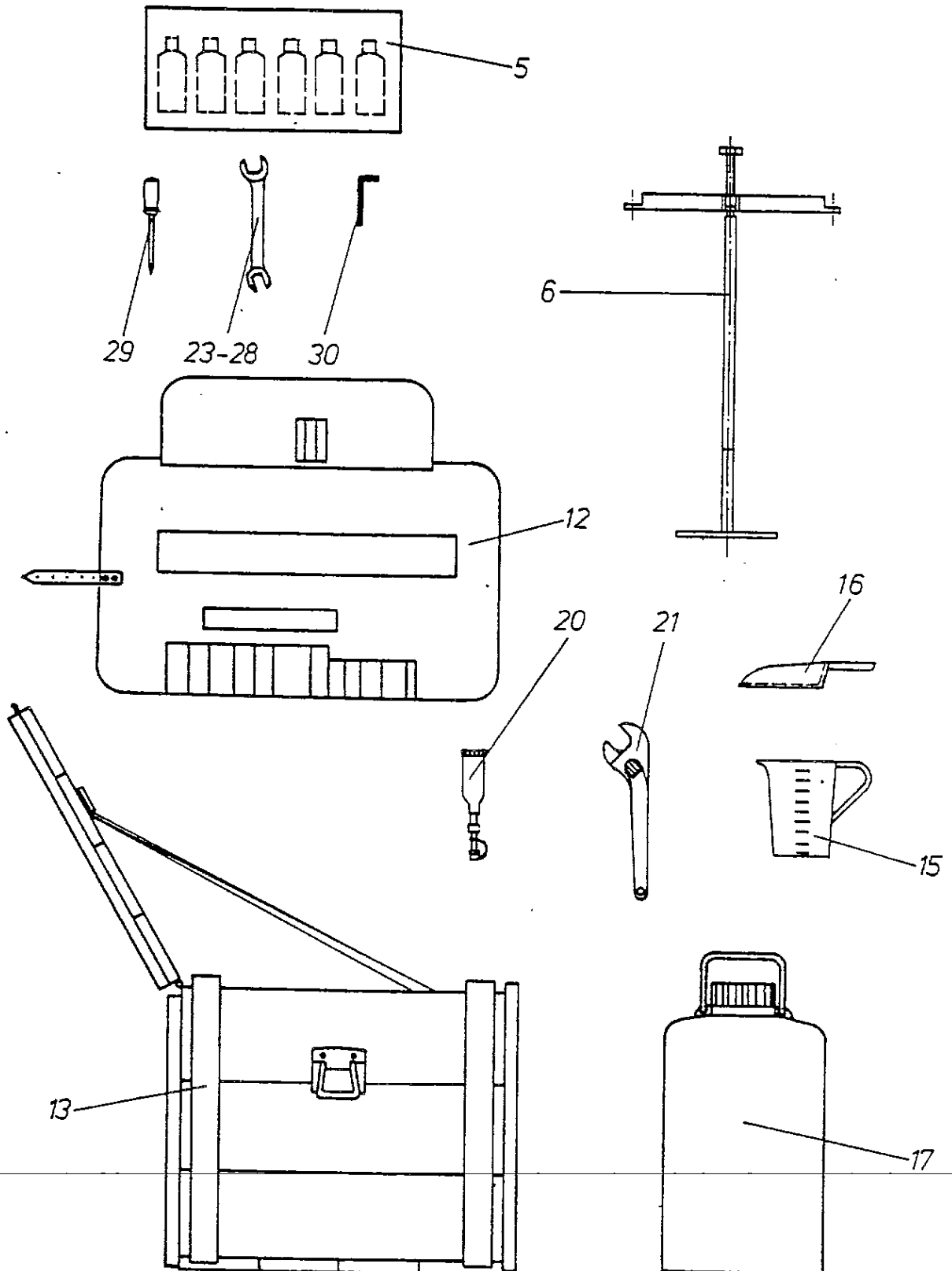
HDS 1200 EK

Pos.	Benennung Item Description Pos. Designation	Teile-Nr. Part-No. No.piece	Stück Qty. Nbr.
1	Behaelter/ Receptacle/ Recipient	4.070-055.0	
2	Deckel/ Cover/ Couvercle	5.063-134.0	
3	Tuchmanschette/ Cloth Collar/ Soufflet En Tissu	5.178-006.0	
4	Spannband/ Clamp/ R-Placer Par6388604	5.260-018.0	
5	Kette/ Chain/ Chainé	5.264-008.0	
6	Bolzen/ Pin/ Axe	5.316-086.0	
7	Schlauchstueck/ Flexible Tube Piece/ Piece de Tuyau	5.442-214.0	
8	Sicherungsfeder 2/ Retaining Spring/ Ressort D'arret	6.313-002.0	
9	Riemenscheibe 125 D/ Pulley/ Poulie	6.348-022.0	
10	Schl.schelle 9/9/ Hose Band Clip/ Collier de Serrage	6.388-555.0	
11	Schlauchbinder/ Hose Band Clamp/ Collier de Serrage	6.388-601.0	
12	S-Haken/ S-Hook/ Crochet	6.432-004.0	
13	Schutzkappe/ Protecting Cap/ Capot Protection	6.618-018.0	
14	Magnetventil/ Solenoid Valve/ Electrovanne	6.685-125.0	
15	S-K-Riemen Spz 1180/ V-Belt/ Courroie Trapezoid. Vers.Nr.3030-12-171-7527	7.348-111.0	
16	Kabel/ / Cable Hds 1200 Ek Vers.Nr.6145-12-140-1450	4.820-093.0	
17	Cekon-Stecker 16a/ Cekon Connector/ Prise Cekon Vers.Nr. 5935-12-156-5901	6.646-030.0	
18	Tuelle/ Socket/ Douille	6.641-371.0	
19	Halbverschr. Pg 21/ Half-R.screw Conn./ Raccord	6.641-372.0	
20	Motor 4kw 1440 1/m/ Motor/ Moteur Vers.Nr.6150-12-174-9588	6.611-144.0	
21	Kerzenstecker Entst/ Shielding Cap/ Embout Antiparasite	6.618-011.0	
22	Zuendkabel/ Ignition Cable/ Fil D'amorce	4.821-036.0	



Gruppe: 2 Werkzeug und Zubehör  
Group: 2 Tool and Accessories  
Groupe: 2 Outils et Accessoires

HDS 1200 EK





Gruppe: 2 Werkzeug und Zubehör  
Group: 2 Tool and Accessories  
Groupe: 2 Outils et Accessoires

HDS 1200 EK

Pos.	Benennung Item Description Pos. Designation	Teile-Nr. Part-No. No.piece	Stück Qty. Nbr.
1	Schlauch/ Flexible Tube/ Tuyau Vers.Nr.4720-12-132-0244	4.440-007.0	
2	Hd-Schlauch 10,10m/ Hp-Hose/ Tuyau Souple A Hp Vers,Nr.4720-12-174-8182	6.388-069.0	
3	Schlauch/ Flexible Tube/ Tuyau Vers.Nr.4720-12-174-8183	4.440-219.0	
4	Kanister 20 Lt/ Tin/ Jerrycan Vers.Nr.7240-12-120-1998	6.393-010.0	
5	Wasserenthärter / Softening of water Adoucissement de l'eau Vers.Nr.6850-12-175-4344	2.780-001.0	
6	Werkzeug/ Mechanic's Tool/ Outil Hds 1200 Bk Vers-Nr.5120-12-174-9273	2.901-005.0	
7	Abzug/ Chimney/ SortchemineeHds1200 Vers.nr.4940-12-174-9274	4.656-046.0	
8	Sieb/ Strainer/ Passoir Vers.Nr.4730-12-132-2113	4.734-010.0	
9	Duesentraeger/ Nozzle Support/ Support de Tuyere Vers.Nr.4940-12-174-9268	4.764-012.0	
10	Dampfduese,flach2,4/ Steam Nozzle/ Buse Pourjet-Vapeur Vers.Nr.4940-12-174-9272	4.766-016.0	
11	Dampfduese,rund 2,4/ Steam Nozzle/ Buse Pourjet-Vapeur Vers.Nr.4940-12-174-9271	4.766-019.0	
12	Werkzeugtasche/ Tool Wallet/ Trousse A Outils Vers.Nr.5140-12-175-0364	4.871-006.0	
13	Kiste/ Box/ Caisse	4.892-005.0	
14	Sonderduese/ Special Nozzle/ Tuyere Speciale Vers.Nr.4940-12-174-9267	5.763-002.0	
15	Messbecher 1 L/ Fuel Measure/ Gobelet Gradue Vers.Nr.7240-12-133-3090	6.277-001.0	
16	Abfuellschaufel/ Rack/ Pelle de Rempliss. Vers.Nr.7240-12-175-0365	6.277-003.0	

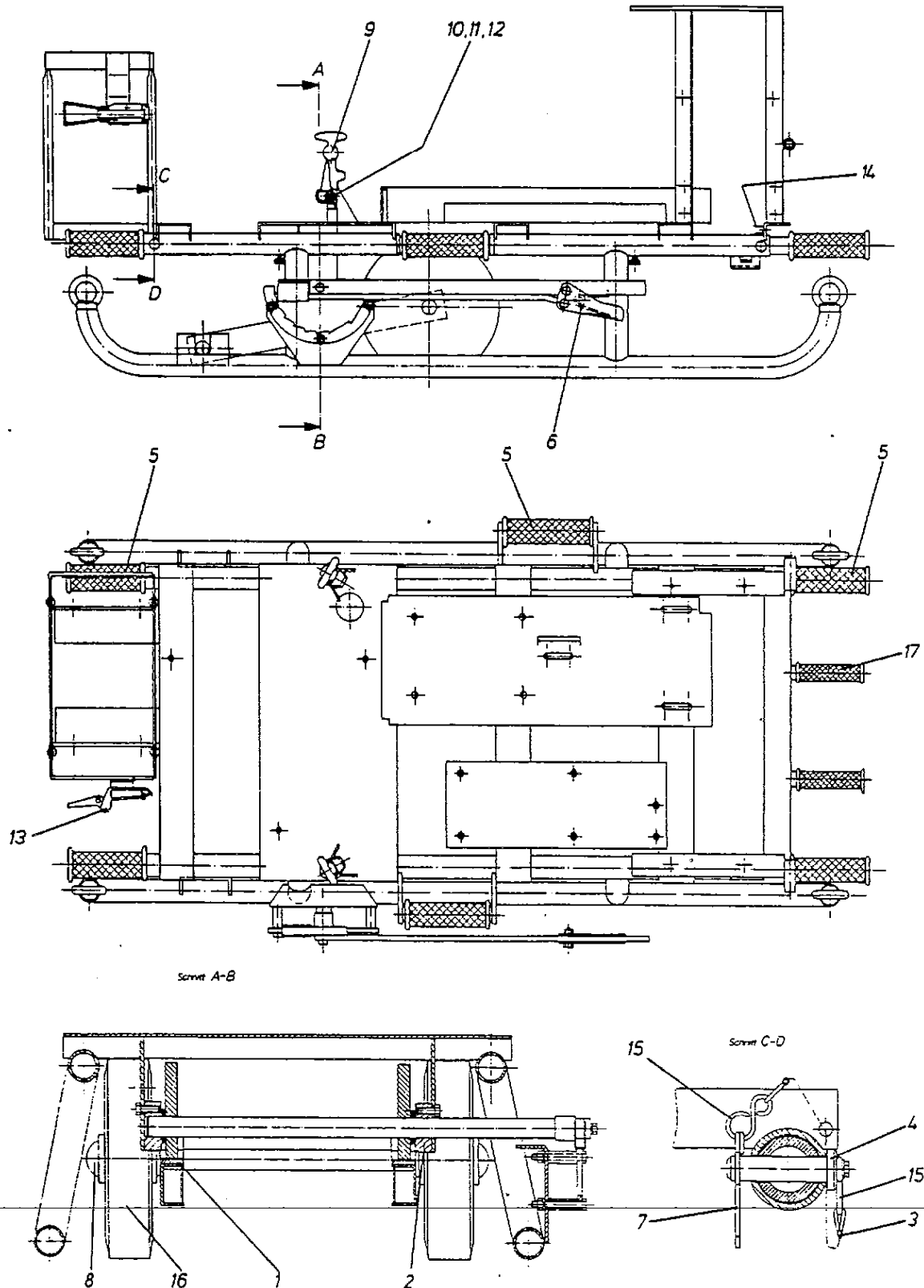
Gruppe: 2 Werkzeug und Zubehör  
Group: 2 Tool and Accessories  
Groupe: 2 Outils et Accessoires

HDS 1200 EK

Pos.	Benennung Item Description Pos. Designation	Teile-Nr. Part-No. No.piece	Stück Qty. Nbr.
17	Behaelter 25l/ Receptacle/ Recipient Vers.Nr.8125-12-175-1164	6.393-054.0	
18	Dues.mundst.25g 15/ Nozzle Mouthpiece/ Nez de Buse Vers.Nr.4940-12-174-9270	6.415-172.0	
19	Dues.mundst.0g 15/ Nozzle/ Buse Vers.Nr.4940-12-174-9269	6.415-299.0	
20	Fettpresse/ Grease Gun/ Pompe A Graisse Vers.Nr.4930-12-159-1760	6.417-023.0	
21	Rollgabelschluessel/ Swedish Wrench/ Cle A Molette Vers.Nr.5120-12-140-5443	6.815-004.0	
22	Doppelstutzen/ Double Socket/ Tuyan de Rallonge Vers.Nr.4730-12-131-3207	7.386-125.0	
23	Schluessel 10x11/ Key 10x11/ Cle 10x11 Vers.Nr.5120-12-120-4965	7.815-046.0	
24	Schluessel 27x32/ Wrench 27x32/ Cle 27x32 Vers.Nr.5120-12-123-5113	7.815-047.0	
25	Schluessel 17x19/ Wrench/ Cle A Vis Vers.Nr.5120-12-120-5196	7.815-173.0	
26	Schluessel 22x24/ Wrench/ Cle A Vis Vers.Nr.5120-12-120-5199	7.815-174.0	
27	Schluessel 12x13/ Wrench 12x13/ Cle 12x13 Vers.Nr.5120-12-120-6711	7.815-178.0	
28	Schluessel 14x15/ Key 14x15/ Cle 14x15 Vers.Nr.5120-12-120-5198	7.815-179.0	
29	Schr.dreher A 0,5x3/ Screwdriver/ Tournevis Vers.Nr.5120-12-130-7134	7.815-060.0	
30	Schraubendreher 5/ Hex.pin Key/ Tournevis 6pans 5mn Vers.Nr.5120-12-127-1057	7.815-131.0	

Gruppe: 3 Grundrahmen  
Group: 3 Base frame  
Groupe: 3 Chassis

HDS 1200 EK



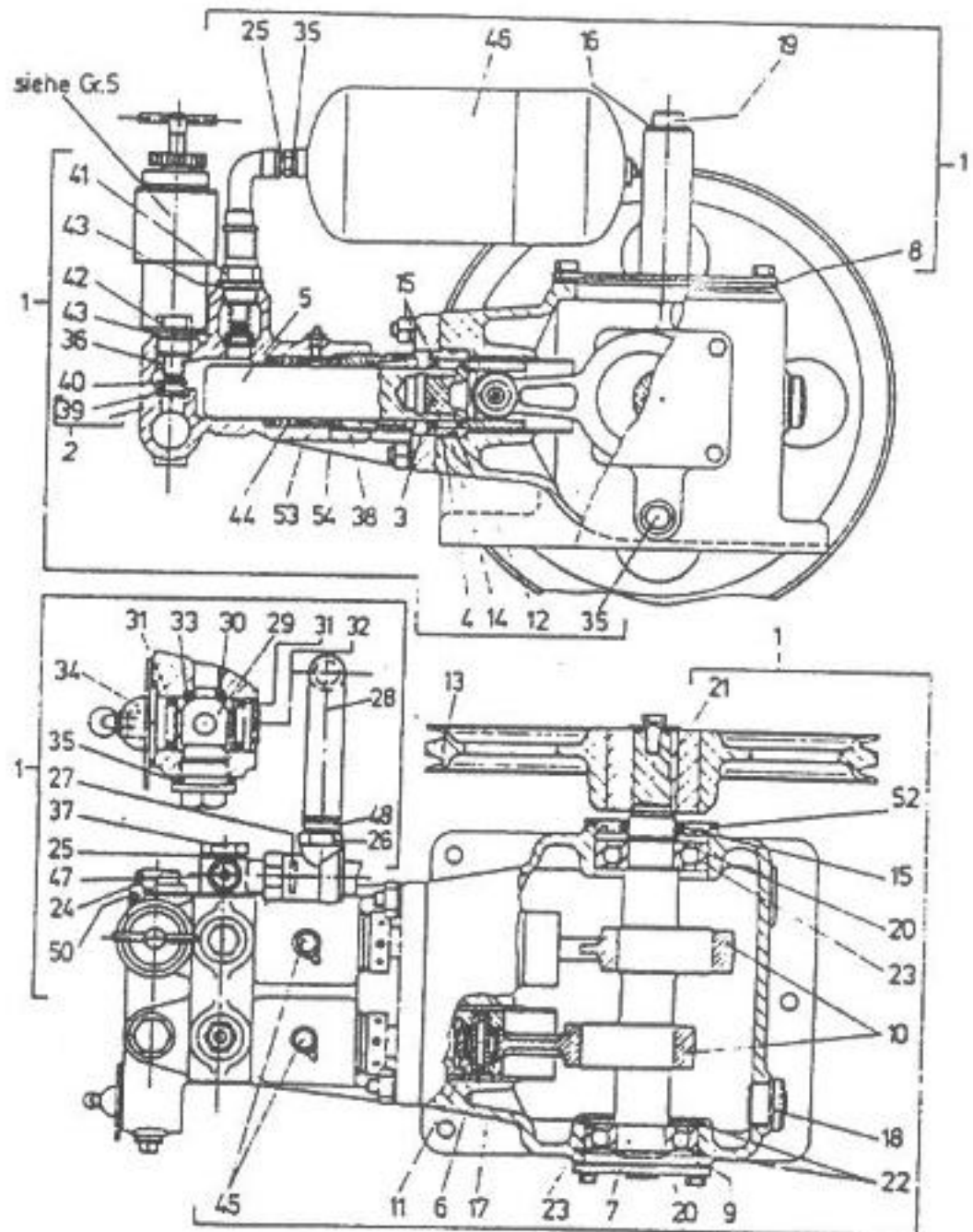
Gruppe: 3 Grundrahmen  
Group: 3 Base frame  
Groupe: 3 Chassis

HDS 1200 EK

Pos.	Benennung Item Description Pos. Designation	Teile-Nr. Part-No. No.piece	Stück Qty. Nbr.
1	Lasche/ Bracket/ Bras Support	5.004-275.0	
2	Lager/ Bearing/ Palier	5.250-010.0	
3	Kette/ Chain/ Chaine	5.264-008.0	
4	Bolzen/ Pin/ Axe	5.316-086.0	
5	Griff/ Handle/ Poignee	5.321-001.0	
6	Biegefeder/ Spiral Spring/ Ressort Spiral	5.335-011.0	
7	Sicherungsfeder 2/ Retaining Spring/ Ressort D'arret	6.313-002.0	
8	Schnellbefest. D 25/ Quick-Fastener/ Attache Rapide	6.343-137.0	
9	Spanngummi/ Tightening Rubber/ Tendeur Caoutchoute	6.373-023.0	
10	Bolzen/ Pin/ Axe	6.373-024.0	
11	Scheibe/ Disk/ Disque	6.373-025.0	
12	Splint/ Split-Pin/ Goupille	6.373-026.0	
13	Verschlusslager/ Lock Bearing/ Palier de Fermeture	6.373-027.0	
14	Klemmschelle/ Clamp Clip/ Collier de Fixation	6.373-046.0	
15	S-Haken/ S-Hook/ Crochet	6.432-004.0	
16	D.scheibenrad 250/ Double Disk Wheel/ Roue Hds 65	6.435-017.0	
17	Drehgriffbezug/ Control Grip Cover/ Couverture	6.439-008.0	

Gruppe: 4 Pumpensatz  
 group: 4 Pump set  
 Groupe: 4 Moto-pompe

HDS 1200 EK



Gruppe: 4 Pumpensatz  
Group: 4 Pump set  
Groupe: 4 Moto-pompe

HDS 1200 EK

Pos.	Benennung Item Description Pos. Designation	Teile-Nr. Part-No. No. piece	Stück Qty. Nbr.
1	Pumpensatz / Pump set / Ensemble de pompe Vers.Nr.4320-12-174-9589	3.532-059.0	
2	Zylinderkopf/ Cylinder Head/ Culasse de Cylindre	4.550-048.0	
3	Kreuzkopf/ Crosshead/ Tete de Piston	5.554-006.0	
4	O-Ring 19,3-2,4/ O-Ring 19,3x2,4/ Joint Torique	6.362-161.0	
5	Kolben/ Piston/ Piston	5.553-026.0	
6	Stopfen/ Plug/ Bouchon	5.092-015.0	
7	Exzenterwelle/ Eccentric Shaft/ Arbre D'excentrique	5.103-013.0	
8	Flachdichtung/ Flat Packing/ Garniture Plate	5.364-039.0	
9	Flachdichtung/ Flat Packing/ Garniture Plate	5.364-040.0	
10	Pleuel/ Connecting Rod/ Bielle	5.551-009.0	
11	Kolbenbolzen/ Gudgeon Pin/ Axe de Piston	5.552-010.0	
12	Laufbuechse/ Sleeve/ Boite	5.555-022.0	
13	Riemenscheibe/ Pulley/ Poulie	5.625-021.0	
14	O-Ring 46-3/ O-Ring/ Joint Torique	6.362-090.0	
15	Radialdichtr. 30-42/ Rotary Shaft Seal/ Bague A Levres Res.	6.367-012.0	
16	Stopfen/ Plug/ Bouchon	5.132-011.0	
17	Nadellager/ Needle Bearing/ Roulem. A Aiguilles	6.401-108.0	
18	Ölstandfenster/ Oil-Level Indicator/ Indicateur D'huile	6.417-004.0	
19	Zellenstopfen/ Plug/ Bouchon	6.654-004.0	
20	Sicherungsring A/ Sealing Ring/ Circlip	6.343-001.0	
21	Passfeder A 8x7x32/ Feather Key/ Ressort D'ajustage	7.318-042.0	
22	Seegerring/ Joint Ring/ Anneau D'etancheite	7.343-166.0	
23	Kugellager 6306/ Ball Bearing/ Roulement A Billes	7.401-144.0	
24	Einschraubt. R3/4z/ Inserted Piece/ Piece Inseree	6.385-010.0	

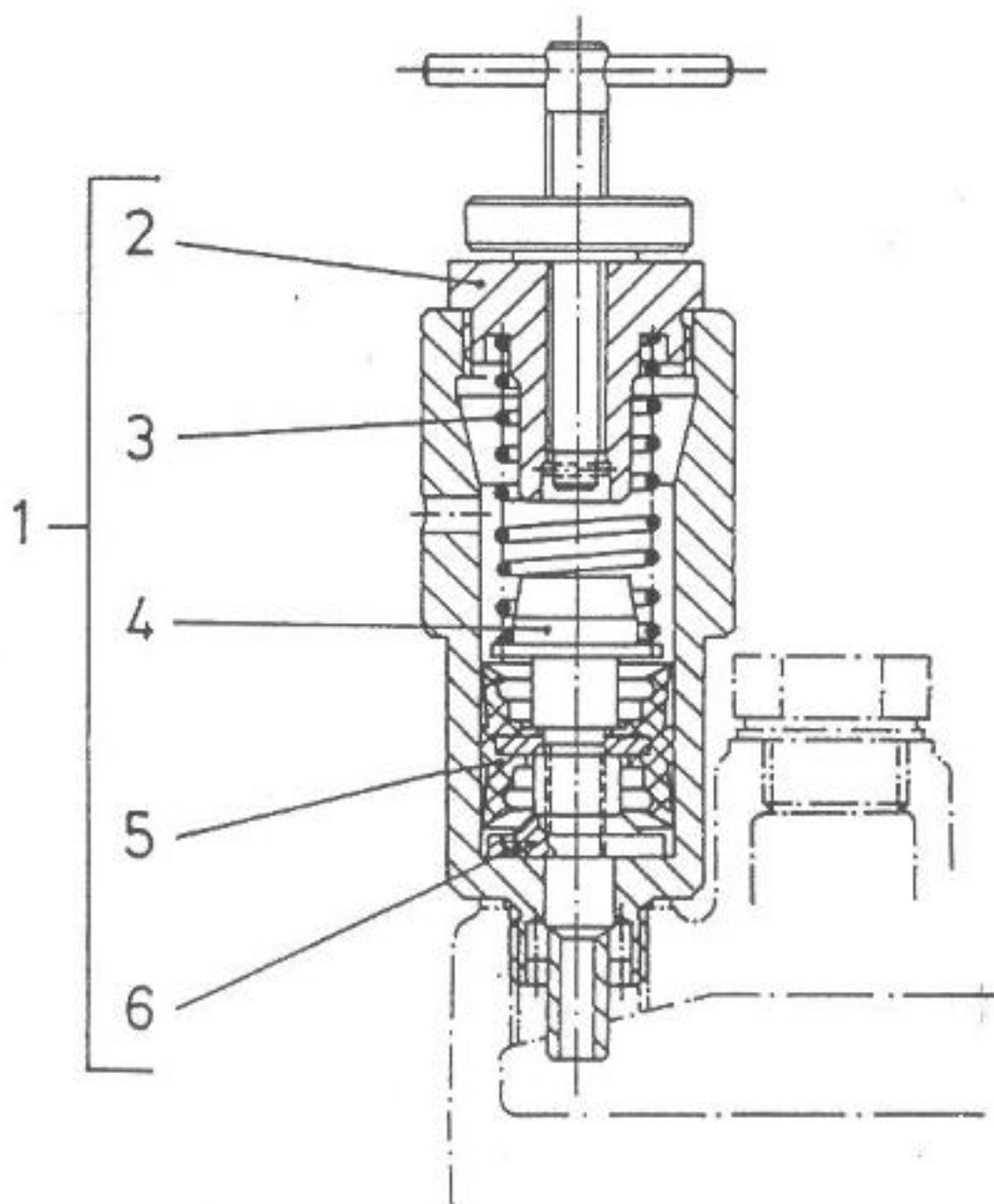
Gruppe: 4 Pumpensatz  
Group: 4 Pump set  
Groupe: 4 Moto-pompe

HDS 1200 EK

Pos.	Benennung	Teile-Nr.	Stück
Item	Description	Part-No.	Qty.
Pos.	Designation	No.piece	Nbr.
25	Dichtung/ Seal/ Joint	7.362-023.0	
26	Sicherheitsventil/ Safety Valve/ Soupape de Surete	6.412-652.0	
27	Dichtring/ Joint Ring/ Anneau D'etancheite	5.363-094.0	
28	Schlauchstueck/ Flexible Tube Piece/ Piece de Tuyau	5.442-232.0	
29	Welle/ Shaft/ Arbre	5.100-023.0	
30	O-Ring 10,0-2,0/ O-Ring 10x2/ Joint Torique 10x2	6.362-151.0	
31	O-Ring 16,00-2,0/ O-Ring/ Joint Torique	6.362-174.0	
32	Mutter/ Nut/ Ecrou	6.412-861.0	
33	Ventilsitz/ Valve Seat/ Siege de Soupape	4.581-003.0	
34	Kugelgriff/ Ball Handle/ Levier	6.412-845.0	
35	Dichtring A 18x22/ Joint Ring/ Anneau D'etancheite	7.362-009.0	
36	Schraubenfeder/ Coil Spring/ Ressort A Boudin	5.332-001.0	
37	Hohlschraube/ Banjo Bolt/ Boulon Creux	5.404-042.0	
38	Stopfbuechstell/ Stuffing Box Piece/ P.de Boite A Etoupe	5.574-011.0	
39	Ventilsitz/ Valve Seat/ Siege de Soupape	5.581-007.0	
40	Ventilteller/ Valve Head/ Tete de Soupape	5.582-001.0	
41	Ventilschraube/ Valve Screw/ Vis de Soupape	5.583-025.0	
42	Ventilschraube/ Valve Screw/ Vis de Soupape	5.583-007.0	
43	Usitring22,7x30x2,0/ Usit Ring/ Bague Usit	6.362-228.0	
44	Dichtungssatz 30-45/ Seal Set/ Ensemble de Joint	6.365-207.0	
45	Schmiernippel M8x1/ Lubricating Nipple/ Graisseur	6.417-014.0	
46	Druckspeicher/ Damper/ Anti-Bel. Hds1200bk	6.505-013.0	
47	Ringstutzen/ Ring Type Nipple/ Raccord Annulaire	5.406-010.0	
48	Schlauchnippel/ Hose Stem/ Raccord Pour Tuyau	6.388-413.0	
50	Dichtring A 27x32/ Joint Ring/ Anneau D'etancheite	7.362-016.0	

Gruppe: 5 Regelventil  
Group: 5 Control Valve  
Groupe: 5 Vanne de Reglage

HDS 1200 EK





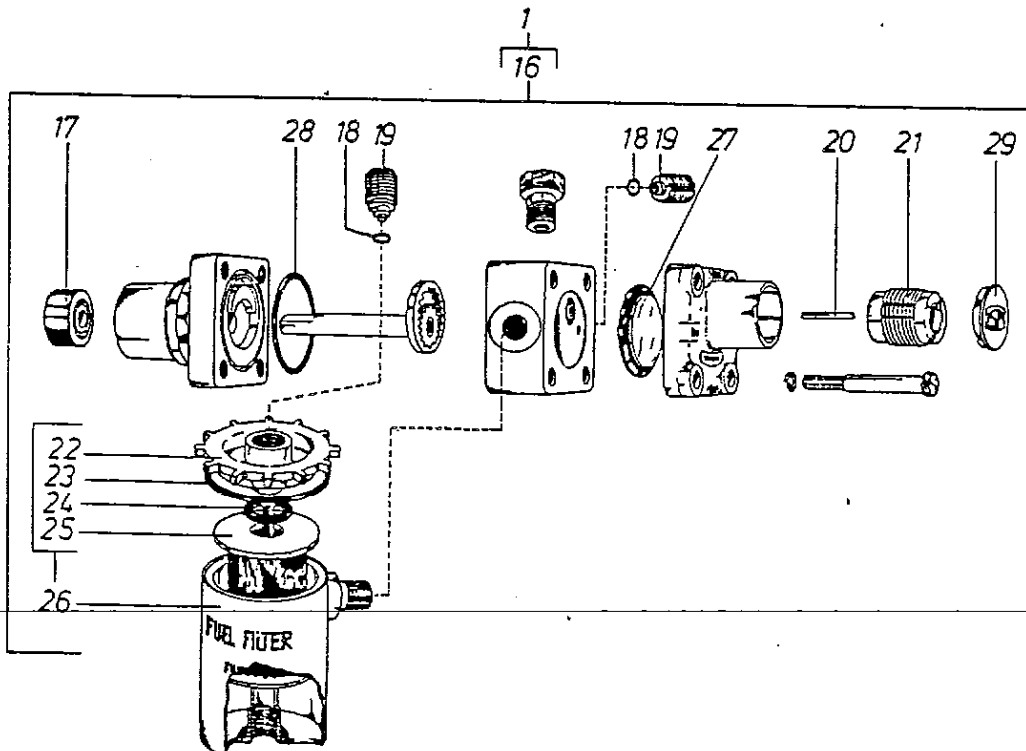
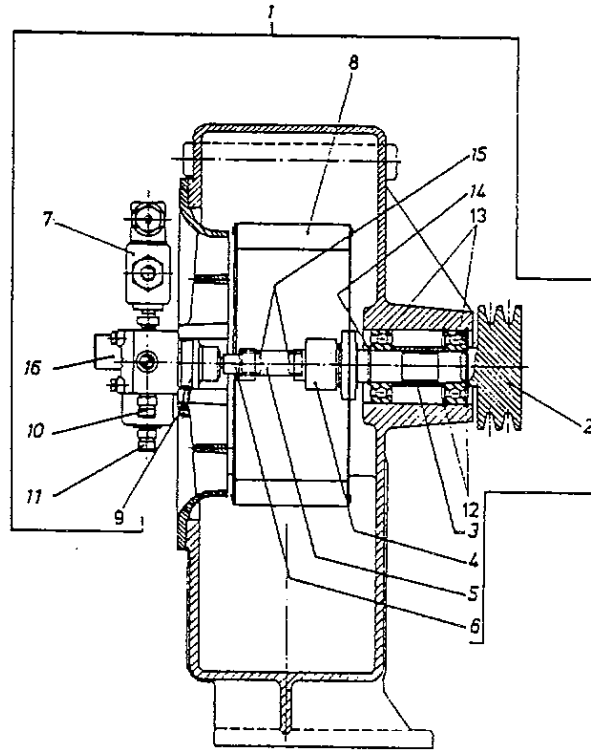
Gruppe: 5 Regelventil  
Group: 5 Control Valve  
Groupe: 5 Vanne de Reglage

HDS 1200 EX

Pos.	Benennung Item Description Pos. Designation	Teile-Nr. Part-No. No.piece	Stück Qty. Nbr.
1	Regelventil/ Valve/ Soupape Vers.Nr.4820-12-174-9590	3.594-003.0	
2	Formschraube/ Special screw/ Vis de forme	5.305-052.0	
3	Schraubenfeder/ Coil Spring/ Ressort A Boudin	5.332-061.0	
4	Formschraube/ Special screw/ Vis de forme	5.305-051.0	
5	Profildichtung/ Profile Seal/ Joint Profilee	5.365-110.0	
6	O-Ring 13-3,5/ O-Ring/ Joint Torique	6.362-222.0	

Gruppe: 6 Gebläse und Brennstoffpumpe  
Group: 6 Blower and fuel pump  
Groupe: 6 Turbine et pompe a combustible

HDS 1200 EK



Gruppe: 6 Gebläse und Brennstoffpumpe  
Group: 6 Blower and fuel pump  
Groupe: 6 Turbine et pompe a combustible

HDS 1200 EK

Pos. Benennung Item Description Pos. Designation	Teile-Nr. Part-No. No.piece	Stück Qty. Nbr.
1 Geblaese/ Blower/ Machine Soufflante Vers.Nr.4940-12-174-9262	3.610-024.0	
2 Welle/ Shaft/ Arbre	5.100-041.0	
3 Buechse/ Box/ Boite	5.112-073.0	
4 Kupplungsteil/ Coupling Piece/ Piece Dis.d'accoup.	6.463-009.0	
5 Kupplungsteil/ Coupling Piece/ Piece Dis.d'accoupl	5.471-014.0	
6 Kupplungsteil/ Coupling Piece/ Piece Dis.d'accoup.	6.463-008.0	
7 Magnetventil/ Solenoid Valve/ Electrovanne	6.685-137.0	
8 Geblaeserad/ Blower Wheel/ Roue Hds 1200 Bk	6.484-008.0	
9 Zyl-Schr.is. m 6x16/ Cheese Head Screw/ Vis A Tete Cylindr.	7.306-020.0	
10 Schraubstutzen/ Screw Socket/ Manchon Filete 16/1	5.402-195.0	
11 Schraubstutzen/ Screw Socket/ Manchon Filete 18/1	5.402-196.0	
12 S.ring J 47x1,75/ Sealing Ring/ Circlip	7.343-115.0	
13 Kugellager 6204 2rs/ Ball Bearing/ Roulement A Billes	7.401-126.0	
14 S.ring A 20x1,2/ Sealing Ring 20x1,2/ Circlip 20x1,2	7.343-007.0	
15 Kupplungsteil/ Coupling Element/ Piece Dis.d'accoup.	6.463-020.0	
16 Br.foerderpumpe/ Fuel Pump/ Pompe Hds 60	6.472-153.0	
17 Achsendichtung/ Shaft Seal/ Etoupage D'arbre	6.472-105.0	
18 O-Ring 5-1,8/ O-Ring/ Joint Torique	6.472-106.0	
19 Entlueftungsschraub/ Vent Screw/ Vis de Sortir D'air	6.472-107.0	
20 Stift/ Pin/ Broche Cheville	6.472-108.0	
21 Federgehaeuse/ Spring Housing/ Boitier de Ressort	6.472-109.0	
22 Deckel/ Covering/ R-Placer Par6472123	6.472-110.0	
23 O-Ring 32-1,6/ O-Ring/ Joint Torique	6.472-111.0	
24 O-Ring 10-2,4/ O-Ring/ Joint Torique	6.472-112.0	

---

Gruppe: 6 Gebläse und Brennstoffpumpe  
Group: 6 Blower and fuel pump  
Groupe: 6 Turbine et pompe a combustible

---

HDS 1200 EK

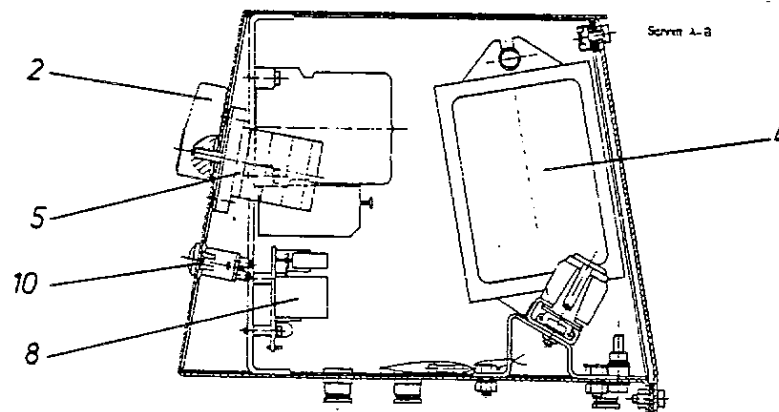
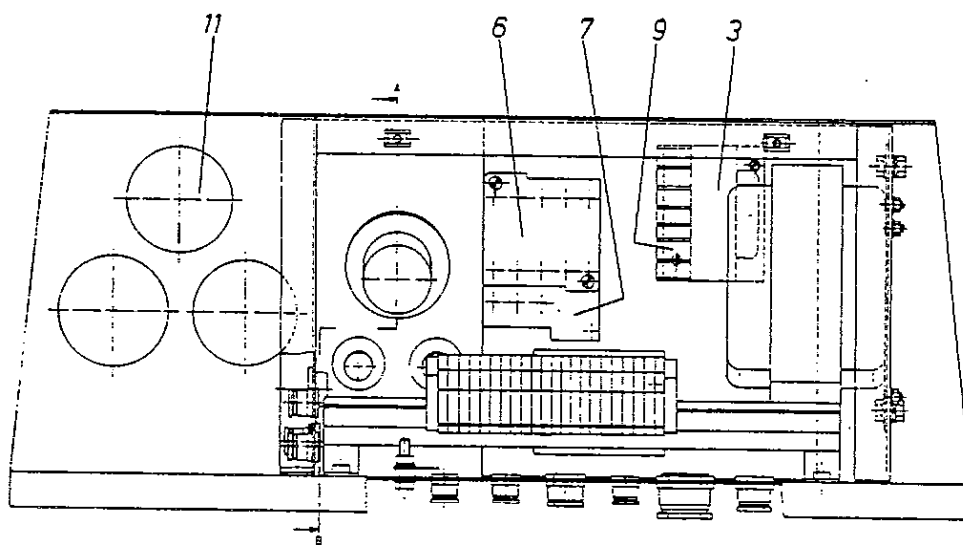
---

Pos. Benennung Item Description Pos. Designation	Teile-Nr. Part-No. No.piece	Stück Qty. Nbr.
25    Filtereinsatz/ Filtr Cartridge/ Cartouche Filtrante	6.472-113.0	
26    Filtergehaeuse Kpl./ Filter Housing/ Boitier de Filtre	6.472-123.0	
27    Membran/ Membrane/ Membrane	6.472-128.0	
28    O-Ring 28,5-1,6/ O-Ring/ Joint Torique	6.472-120.0	
29    Schutzkappe/ Protecting Cap/ Capot Protection	6.472-122.0	

---

Gruppe: 7 Elektrogeräteschrank  
Group: 7 Electric control box  
Groupe: 7 Coffert électrique

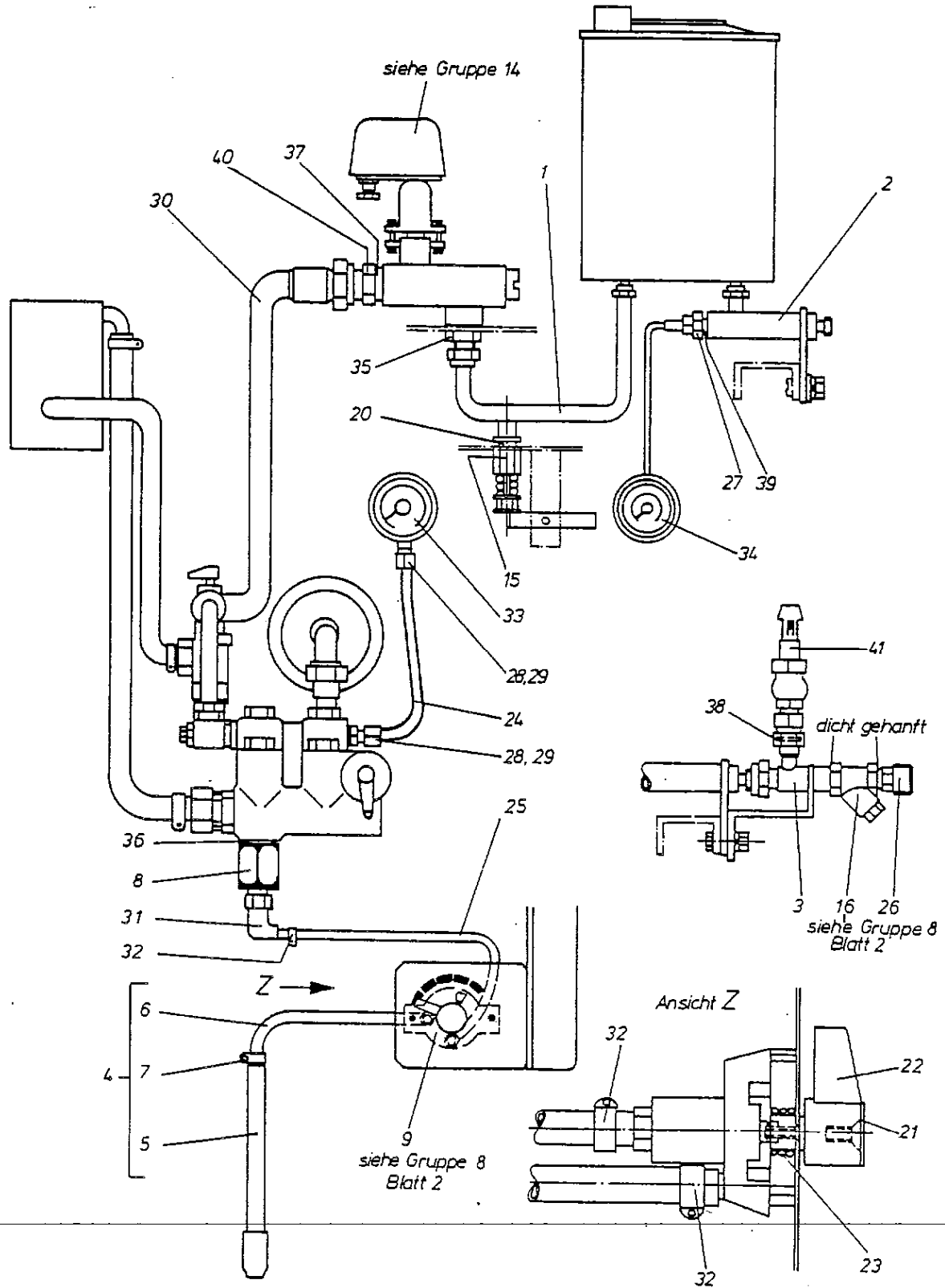
HDS 1200 EK



Gruppe: 7 Elektrogeräteschrank  
Group: 7 Electric control box  
Groupe: 7 Coffert electrique

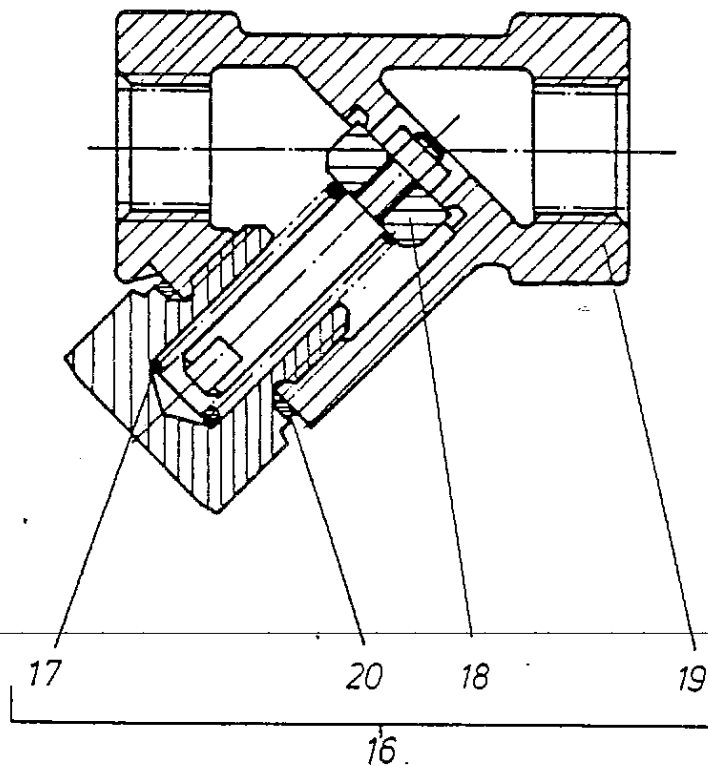
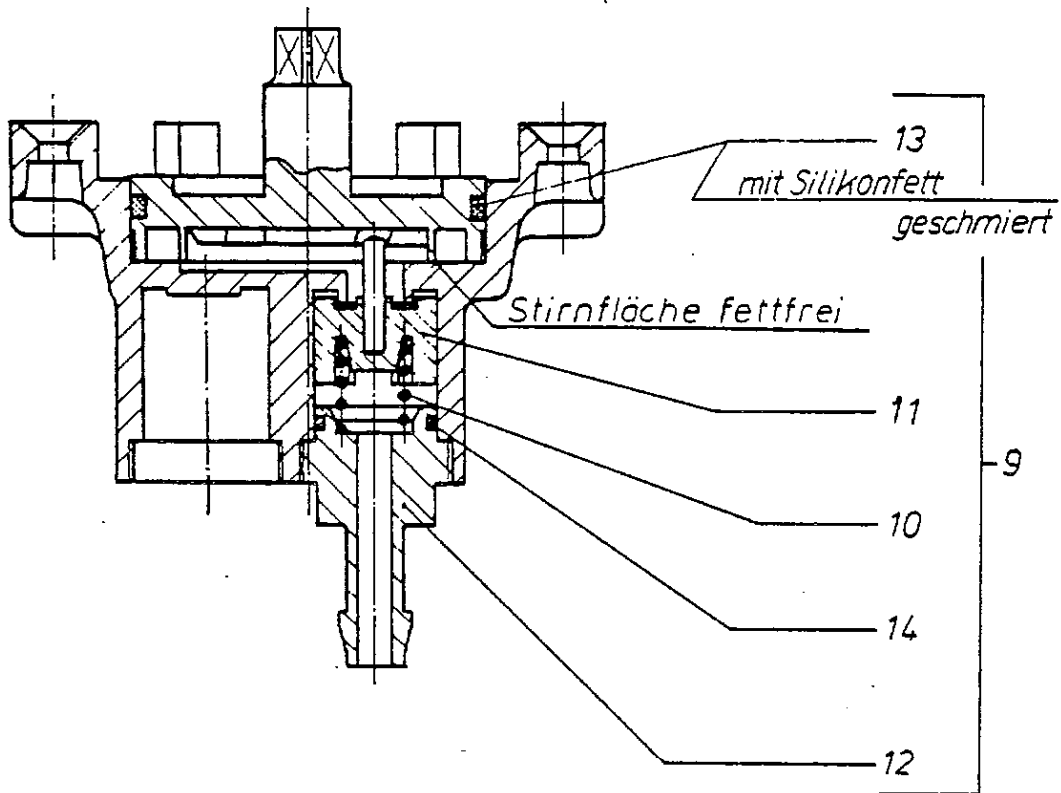
HDS 1200 EK

Pos.	Benennung	Teile-Nr.	Stück
Item	Description	Part-No.	Qty.
Pos.	Designation	No.piece	Nbr.
2	Iso-Knebelgriff/ Clamp Handle/ Vis A Poignee	6.631-029.0	
3	St-Trafo 40 Va/ Transformer/ Transformateur	6.622-021.0	
4	Z-Trafo 380v 50hz/ Transformer/ Transformateur	6.622-036.0	
5	Schalter/ Switch/ Interrupteur	6.631-081.0	
6	Schuetz 24v/ Contactor/ Remp2882185 Ou 186	6.632-064.0	
7	Ue-Relais 8-12/ Relay/ Relais	6.633-043.0	
8	Impulsgeber/ Impulse Transmitter/ Relais D'impulsion	6.633-090.0	
9	G-Schmelzeinsatz 2a/ Melting Plug/ Bouchon Fusible	6.644-052.0	
10	Anzeigeleuchte/ Pilot Lamp/ Lampe Temoin	6.651-058.0	
11	Betriebsstundenzähler / Elapsed time clock Totalisateur d'heures de marche	6.681-013.0	



Gruppe: 8 Leitungssystem Wasser / Reinigungsmittel  
Group: 8 Water supply system/ Detergent  
Groupe: 8 Circuit d'eau / detergents

HDS 1200 EK





Gruppe: 8 Leitungssystem Wasser / Reinigungsmittel  
Group: 8 Water supply system/ Detergent  
Groupe: 8 Circuit d'eau / detergents

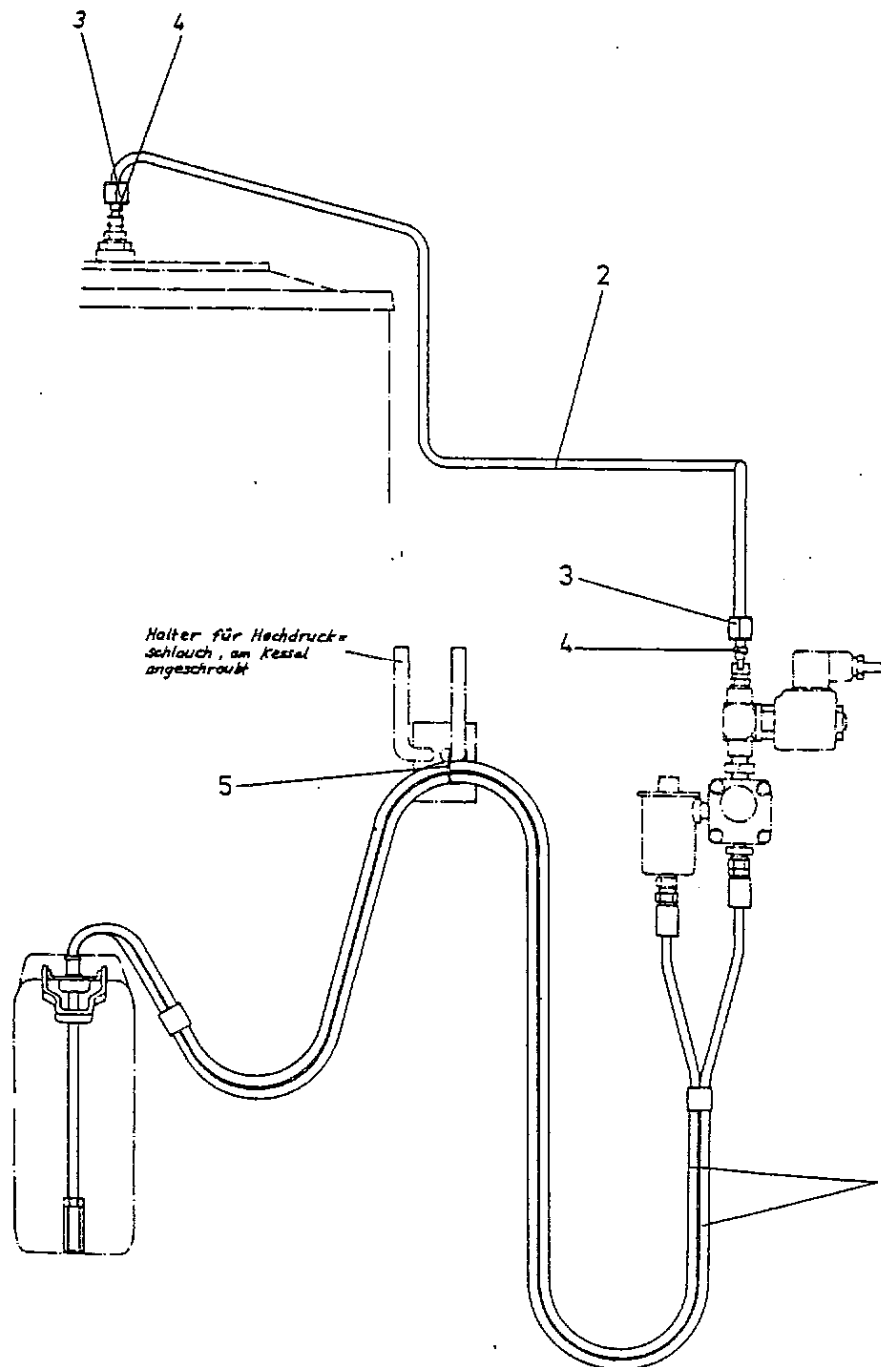
HDS 1200 EK

Pos.	Benennung Item Description Pos. Designation	Teile-Nr. Part-No. No.piece	Stück Qty. Nbr.
1	Rohrleitung/ Tube/ Conduite	4.420-802.0	
2	Rohrleitung/ Tube/ Conduite	4.420-840.0	
3	Knotenstueck/ Strut Attach.fitt./ Ferrure Nodale	4.427-067.0	
4	Schlauch/ Flexible Tube/ Tuyau Vers.Nr.4720-12-174-8184	4.440-220.0	
5	Sieb/ Strainer/ Passoir	4.734-051.0	
6	Schlauchstueck/ Flexible Tube Piece/ Piece de Tuyau	5.442-293.0	
7	Schl.schelle 13/9/ Hose Band Clip/ Collier de Serrage	6.388-550.0	
8	Ventil/ Valve/ Soupape	4.580-036.0	
9	Ventil/ Valve/ Soupape	4.580-069.0	
10	Schraubenfeder/ Coil Spring/ Ressort A Boudin	5.332-076.0	
11	Ventilbolzen/ Valve Pin/ Axe de Soupape	5.584-028.0	
12	Ventilstutzen/ Valve Socket/ Raccord de Soupape	5.586-014.0	
13	O-Ring 42x2,5/ O-Ring/ Joint Torique	6.362-382.0	
14	O-Ring 14-1,78/ O-Ring/ Joint Torique	6.362-395.0	
15	Ventil/ Valve/ Soupape	4.580-068.0	
16	Ueberstroem-Ventil/ Spill Valve/ Valve de Barrage	4.591-022.0	
17	Schraubenfeder/ Coil Spring/ Ressort A Boudin	5.332-058.0	
18	Ventilteller/ Valve Head/ Tete de Soupape	5.582-027.0	
19	Ventilgehaeuse/ Valve Box/ Boite A Soupape	5.587-058.0	
20	Dichtring A 22x27/ Joint Ring/ Anneau D'etancheite	7.362-011.0	
21	Stopfen/ Plug/ Bouchon	5.132-010.0	
22	Griff/ Handle/ Poignee	5.321-023.0	
23	Schraubenfeder/ Coil Spring/ Ressort A Boudin	5.332-028.0	
24	Leitungsrohr/ Supply Pipe/ Conduit	5.422-848.0	
25	Schlauchstueck/ Flexible Tube Piece/ Piece de Tuyau	5.442-205.0	

Gruppe: 8 Leitungssystem Wasser / Reinigungsmittel  
Group: 8 Water supply system/ Detergent  
Groupe: 8 Circuit d'eau / detergents

HDS 1200 EK

Pos. Benennung Item Description Pos. Designation	Teile-Nr. Part-No. No.piece	Stück Qty. Nbr.
26 Einschraubt. R1/2z/ Inserted Piece/ Piece Inseree	6.386-039.0	
27 Verschraubungsteil/ Screw Fitting/ Raccord Visse	6.386-294.0	
28 Ueberwurfmutter/ Union Nut/ Ecrou-Raccord	6.386-159.0	
29 Schneidring 6d/ Cutting Ring/ Bague Coupante	6.386-160.0	
30 Hd-Schlauch110/045/ Hp-Hose/ Tuyau Souple A Hp	6.388-034.0	
31 Winkeltuelle 1/4z/ Angle Socket/ Porcelaine Coudee	6.388-423.0	
32 Schl.schelle 14/9/ Hose Band Clip/ Collier de Serrage	6.388-532.0	
33 Manometer 0-160/ Manometer/ Manometre	6.421-072.0	
34 Temperaturregler/ Thermostat/ Thermostat	6.685-342.0	
35 6kt-Mutter M22x1,5/ Hexagon Nut M22x1,5/ Ecrou Hex. M22x1,5	7.311-155.0	
36 Dichtring A 17x21/ Joint Ring/ Anneau D'etancheite	7.362-008.0	
37 Dichtring A 18x22/ Joint Ring/ Anneau D'etancheite	7.362-009.0	
38 Dichtring A 24x29/ Joint Ring/ Anneau D'etancheite	7.362-013.0	
39 Dichtung/ Seal/ Joint	7.362-023.0	
40 Doppelstutzen 10/ Double Socket/ Tuyau de Rallonge	7.386-126.0	
41 Sicherheitsventil/ Safety Valve/ Soupape de Securite	5.590-001.0	



---

Gruppe: 9 LS- Brennstoff  
Group: 9 Fuel supply system  
Groupe: 9 Circuit de combustible

HDS 1200 EK

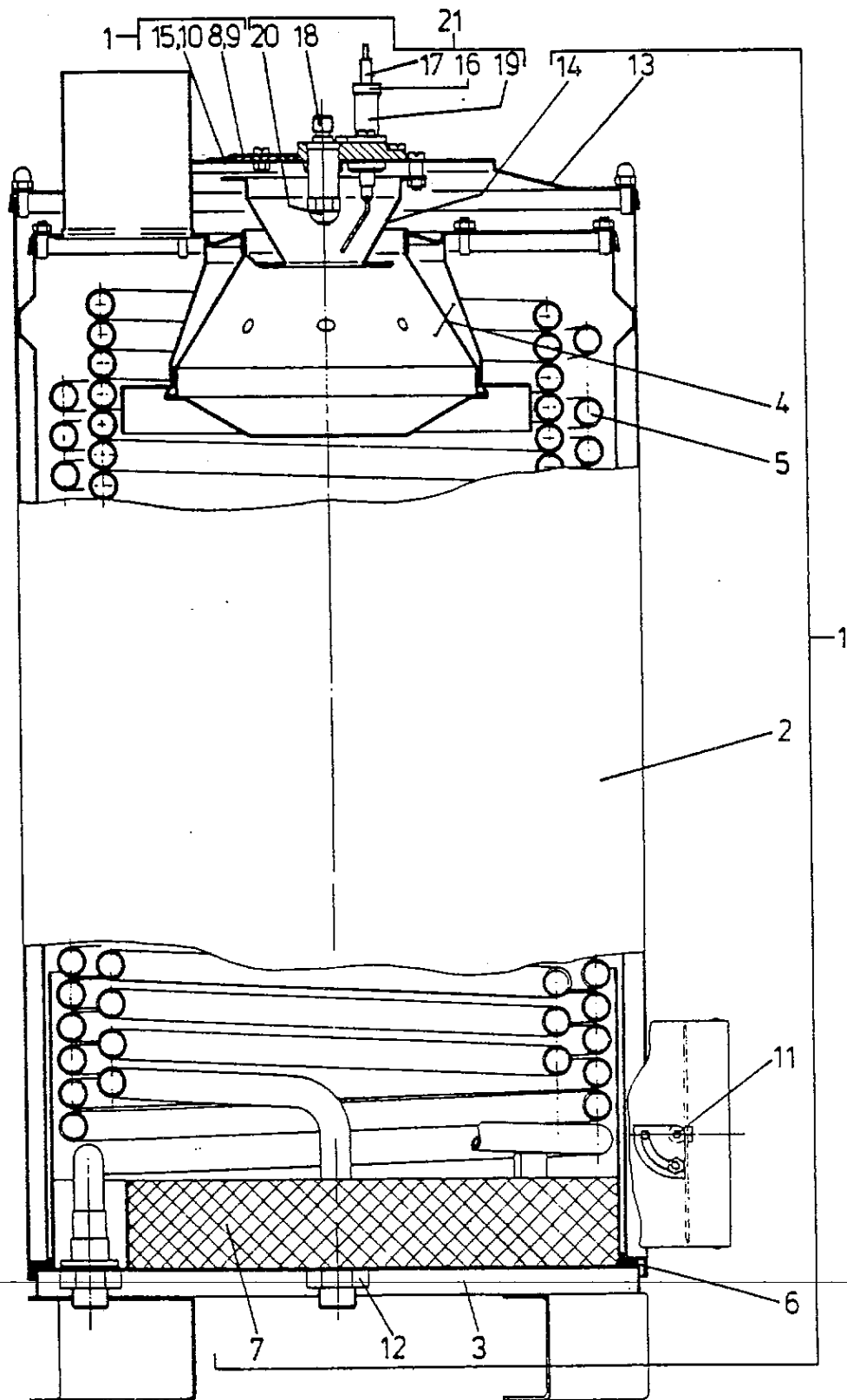
---

Pos. Benennung	Teile-Nr.	Stück
Item Description	Part-No.	Qty.
Pos. Designation	No.piece	Nbr.
1 Schlauch/ Flexible Tube/ Tuyau	4.440-208.0	
2 Leitungsrohr/ Conduit/ Conduit	5.422-666.0	
3 Ueberwurfmutter/ Union Nut/ Ecrou-Raccord	6.386-159.0	
4 Schneidring 6d/ Cutting Ring/ Bague Coupante	6.386-160.0	
5 Kabelband/ Cable Tie/ Collier	6.641-458.0	

---

Gruppe: 10 Durchlauferhitzer  
Group: 10 Heating valve  
Groupe: 10 Chaudiere

HDS 1200 EK



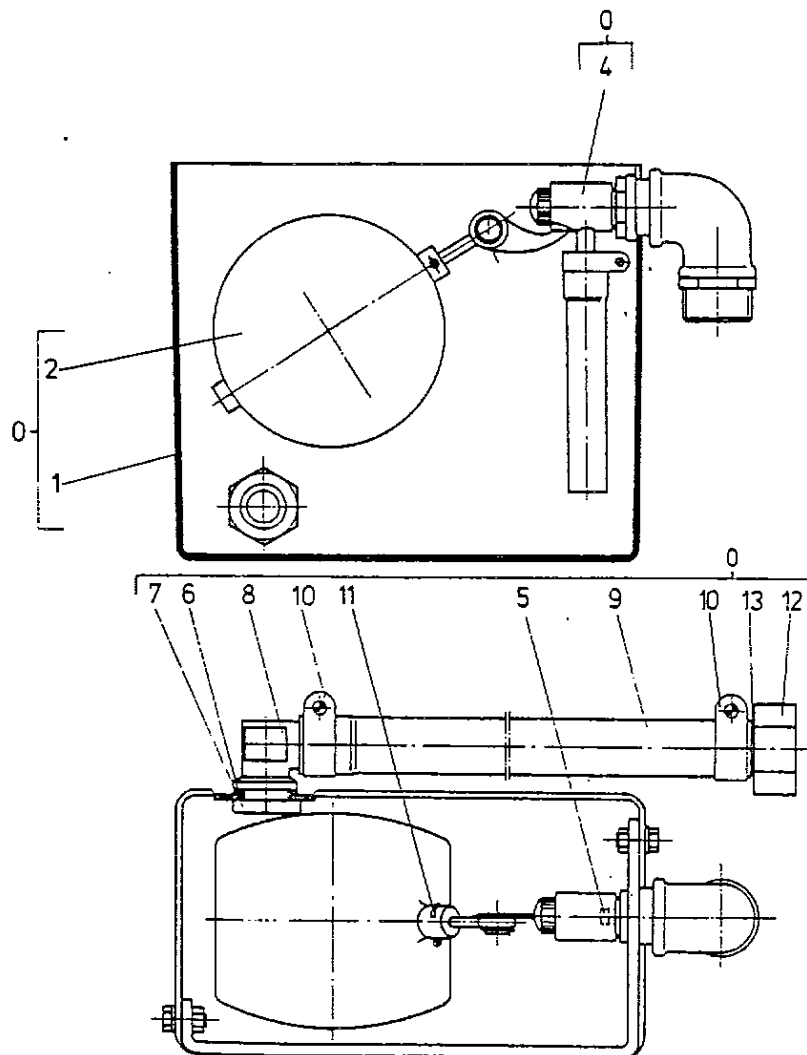
Gruppe: 10 Durchlauferhitzer  
Group: 10 Heating valve  
Groupe: 10 Chaudiere

HDS 1200 EK

Pos.	Benennung Item Description Pos. Designation	Teile-Nr. Part-No. No.piece	Stück Qty. Nbr.
1	Durchlaufkessel/ Boiler/ Bassin Vers.Nr.4940-12-174-9263	3.640-081.0	
2	Aussenmantel/ Outer Jacket/ Enveloppe Exterieur	4.652-052.0	
3	Boden D.k./ Bottom/ Fond Hds 1200 Bk	4.655-035.0	
4	Brennereinsatz/ Burner Insert/ Insert Pour Bruleur	4.663-049.0	
5	Heizschlange/ Heating Coil/ Serpentin Hds1200bk	4.680-044.0	
6	Profildichtung/ Profile Seal/ Joint Profilee	5.365-071.0	
7	Stampfmasse-8kg/ Refractory/ Ciment	2.889-061.0	
8	Schauglas/ Inspection Glass/ Verre Indicateur	5.384-001.0	
9	Flachdichtung/ Flat Packing/ Garniture Plate	5.364-002.0	
10	Flachdichtung/ Flat Packing/ Garniture Plate	5.364-015.0	
11	Biegefeder/ Spiral Spring/ Ressort Spiral	5.335-001.0	
12	6kt-Mutter M22x1,5/ Hexagon Nut M22x1,5/ Ecrou Hex. M22x1,5	7.311-155.0	
13	Deckel D.k./ Cover/ Couvercle de Chaudi	4.654-062.0	
14	Brennereinsatz/ Burner Insert/ Insert Pour Bruleur	4.663-026.0	
15	Blech/ Sheet Metal/ Tole	5.000-403.0	
16	Buchse/ Bush/ Douille	5.112-118.0	
17	Verlaengerung/ Extension/ Elongation	5.127-010.0	
18	Duesenhalter/ Nozzle Holder/ Porte-Tuyeres	5.667-021.0	
19	Zuendelektrode/ Igniter/ Electr. D'amorcage	5.826-020.0	
20	Duese 2,5 60g Ph/ Nozzle/ Tuyere	6.415-010.0	
21	Zuendelektrode/ Igniter/ Electrode d'amorcage Vers.Nr.5977-12-175-3191	4.826-018.0	

Gruppe: 11 Schwimmerventill  
Group: 11 Float valve  
Groupe: 11 Vanne a flotteur

HDS 1200 EK



Gruppe: 11 Schwimmerventill  
Group: 11 Float valve  
Groupe: 11 Vanne a flotteur

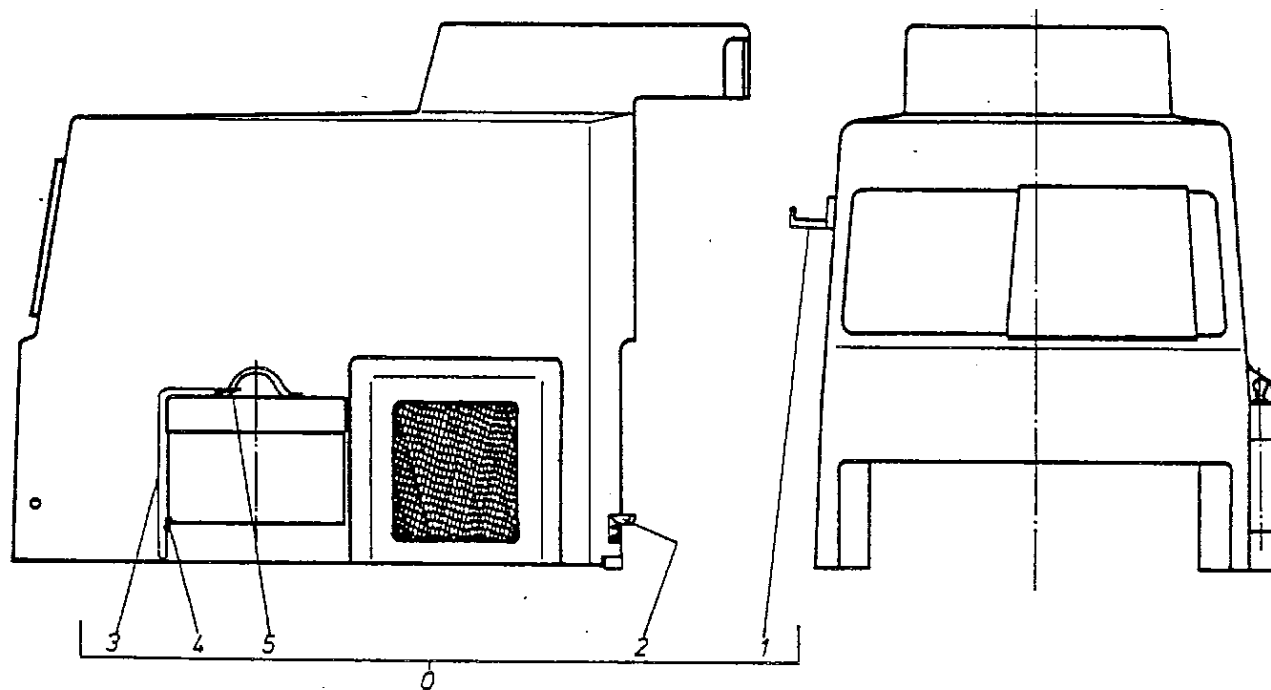
HDS 1200 EK

Pos.	Benennung Item Description Pos. Designation	Teile-Nr. Part-No. No.piece	Stück Qty. Nbr.
0	Schwimmerventil/ Float Valve/ Soupape A Flotteur	3.593-017.0	
1	Behaelter/ Receptacle/ Recipient	5.070-008.0	
2	Schwimmer/ Float/ Flotteur	5.585-002.0	
4	Schwimmerventil/ Float Valve/ Soupape A Flotteur	5.593-004.0	
5	G.verschlussstopfen/ Drain Plug/ Bonde D'evier	6.412-732.0	
6	Dichtring 21x30x2/ Joint Ring/ Anneau D'etancheite	6.362-015.0	
7	6kt-Mutter R1/2 z/ Hexagon Nut/ Ecrou Hexagonal	6.310-004.0	
8	Schlauchnippel/ Hose Stem/ Raccord Pour Tuyau	5.443-056.0	
9	Schlauchselle / Hose band / Collier de serrage	6.388-669.0	
10	Schl.schelle 28/15/ Hose Band Clip/ Collier de Serrage	6.388-510.0	
11	Splint 1,5x15/ Split-Pin/ Goupille	7.316-431.0	
12	Ue.mutter 1z/ Union Nut/ Ecrou-Raccord	6.386-231.0	
13	Schlauchtuelle 3/4z/ Hose Nozzle/ Olive	6.388-402.0	



Gruppe: 12 Haube  
Group: 12 Cap  
Groupe: 12 Capot

HDS 1200 EK



---

Gruppe: 12 Haube  
Group: 12 Cap  
Groupe: 12 Capot

HDS 1200 EK

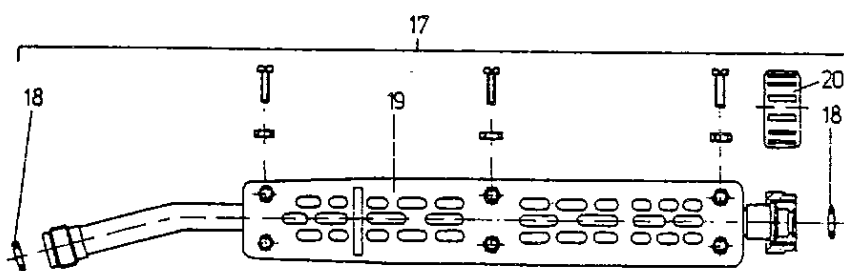
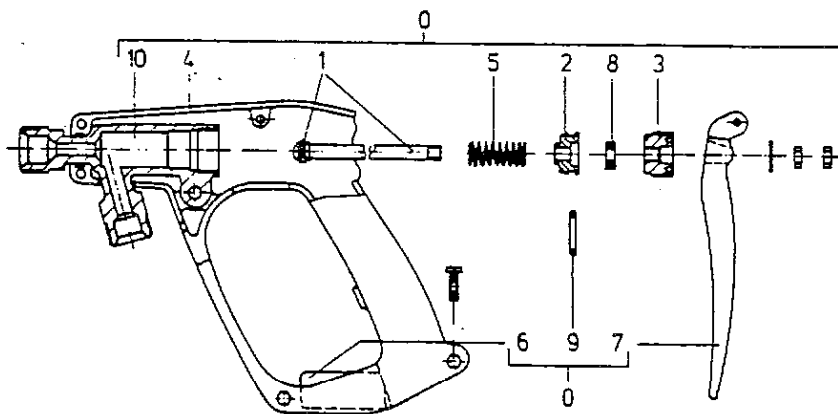
---

Pos.	Benennung	Teile-Nr.	Stück
Item	Description	Part-No.	Qty.
Pos.	Designation	No.piece	Nbr.
0	Haube/ Cap/ Capot Vers.Nr.4940-12-174-9264	4.066-072.0	
1	Halter/ Support/ Appui	5.042-141.0	
2	Anhaker/ Fastener With Hooks/ Accrocheur	6.373-021.0	
3	Kette 0,32 m/ Chain/ Chaine	5.264-009.0	
4	S-Haken/ S-Hook/ Crochet	6.432-004.0	
5	S-Haken/ Hook/ Crochet	6.432-005.0	

---

Gruppe: 13 Handspritzpistole  
Group: 13 Trigger gun  
Groupe: 13 Poignee-pistolet

HDS 1200 EK



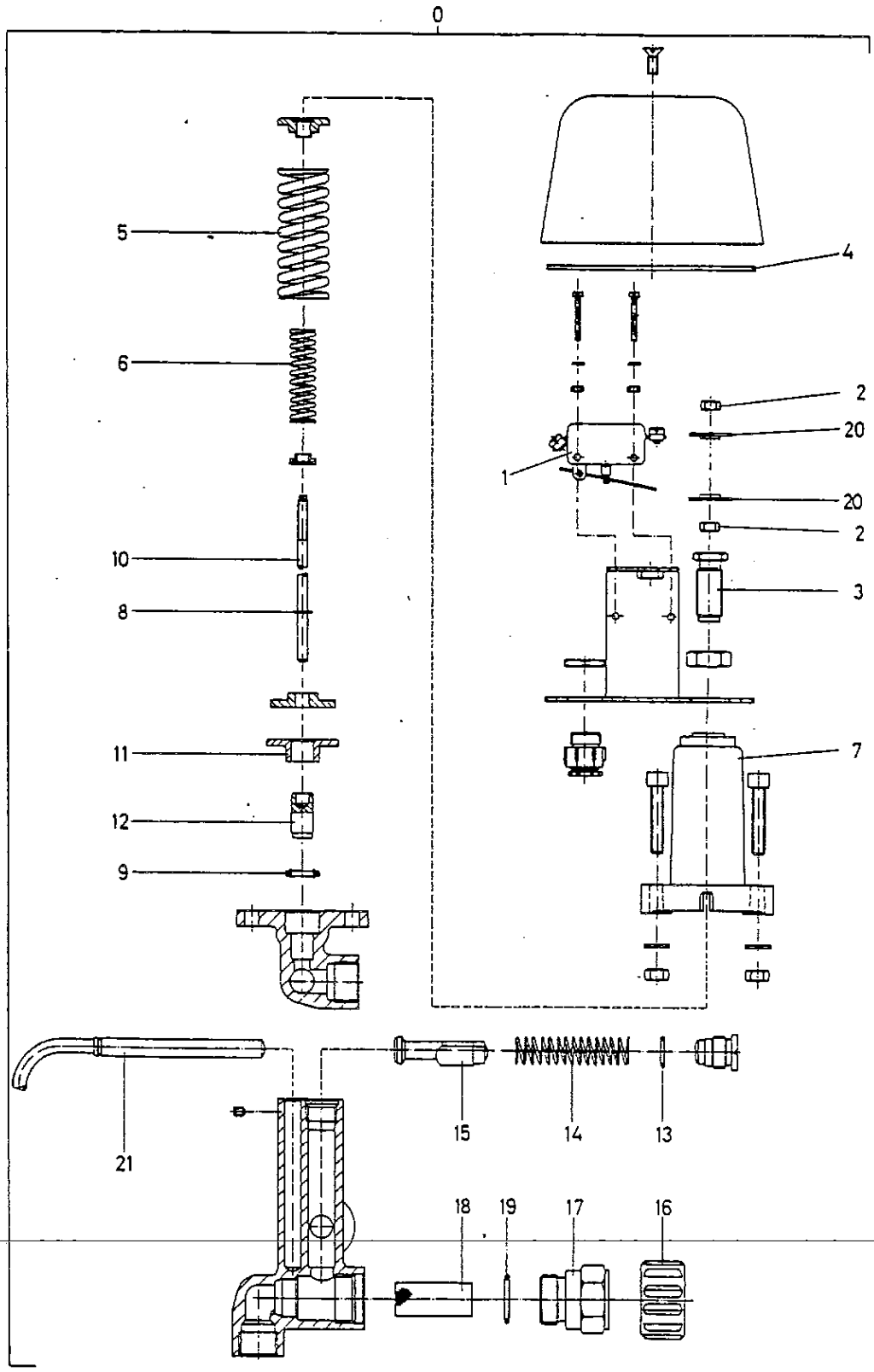
Gruppe: 13 Handspritzpistole  
Group: 13 Trigger gun  
Groupe: 13 Poignee-pistolet

HDS 1200 EK

Pos.	Benennung Item Description Pos. Designation	Teile-Nr. Part-No. No.piece	Stück Qty. Nbr.
0	Handspritzpistole/ Trigger Gun/ Poignee-Pistolet Vers.Nr.4940-12-174-9266	4.775-010.0	
1	Ventilsitz/ Valve Seat/ Siege de Soupape	4.581-006.0	
2	Huelse/ Pod/ Douille	5.110-133.0	
3	Formschraube/ Special Screw/ Vis de Forme	5.305-066.0	
4	Griff-Paar/ Grip Pair/ Paire de Poignees	5.321-037.0	
5	Schraubenfeder/ Coil Spring/ Ressort A Boudin	5.332-050.0	
6	Hebel/ Lever/ Levier	5.481-020.0	
7	Hebel/ Lever/ Levier	5.481-026.0	
8	Lippenring/ Lip Ring/ Joint A Levre	6.365-040.0	
9	O-Ring 15-2,5/ O-Ring/ Joint Torique	7.362-504.0	
10	Knotenstueck/ Strut Attach. Fitt./ Ferrure Nodale	5.427-029.0	
17	Strahlrohr/ Jet Tube/ Lance D'incendie Vers.Nr.4940-12-174-9265	4.760-049.0	
18	O-Ring 10-2/ O-Ring/ Joint Torique Vers.Nr.5330-12-175-3192	7.362-501.0	
19	Griff/ Handle/ Poignee	5.321-020.0	
20	Schutzteil/ Protection Part/ Piece de Protection	5.394-050.0	

Gruppe: 14 Sicherheitsblock  
Group: 14 Safety block  
Groupe: 14 Bloc de securite

HDS 1200 EK



Gruppe: 14 Sicherheitsblock  
Group: 14 Safety block  
Groupe: 14 Bloc de securite

HDS 1200 EK

Pos.	Benennung Item Description Pos. Designation	Teile-Nr. Part-No. No.piece	Stück Qty. Nbr.
0	Sicherheitsblock/ Safety Block/ PressostatHDS1200bk Vers.Nr.5930-12-175-1163	4.749-016.0	
1	Mikroschalter/ Micro Switch/ InterrupteurHDS1200	6.631-106.0	
2	6kt-Mutter m 5/ Hexagon Nut m 5/ Ecrou Hex. m 5	7.311-037.0	
3	6kt-Schraube/ Hex. Head Cap Screw/ Boulon A Six Pans	5.304-027.0	
4	Flachdichtung/ Flat Packing/ Garniture Plate	5.364-081.0	
5	Schraubenfeder/ Coil Spring/ Ressort A Boudin	5.332-059.0	
6	Schraubenfeder/ Coil Spring/ Ressort A Boudin	5.332-058.0	
7	Gehäuse/ Housing/ Boitier	5.060-083.0	
8	Sicherg-Scheibe 4/ Lock Washer/ Rondelle D'arret	7.343-203.0	
9	O-Ring Komplett 10/ O-Ring/ Joint Torique	6.362-214.0	
10	Stange/ Rod/ Perche	5.107-018.0	
11	Büchse/ Box/ Boite	5.112-069.0	
12	Bolzen/ Pin/ Axe	5.316-065.0	
13	O-Ring 10,0-2,0/ O-Ring 10x2/ Joint Torique 10x2	6.362-151.0	
14	Schraubenfeder/ Coil Spring/ Ressort A Boudin	5.332-064.0	
15	Kolben/ Piston/ Piston	4.553-022.0	
16	Schutzteil/ Protection Part/ Piece de Protection	5.394-050.0	
17	Verschlusschraube/ Screw Plug/ Vis de Fermeture	5.411-025.0	
18	Sieb/ Strainer/ Passoir	6.414-111.0	
19	O-Ring 17,3-2,4/ O-Ring/ Joint Torique	6.362-160.0	
20	Scheibe/ Disk/ Disque	5.115-130.0	
21	Reedschalter/ Reed Switch/ R-Placer Par2880194	6.631-105.0	