



KÄRCHER

Ersatzteilliste
Spare Parts List
Liste des pièces de rechange

HD 1590

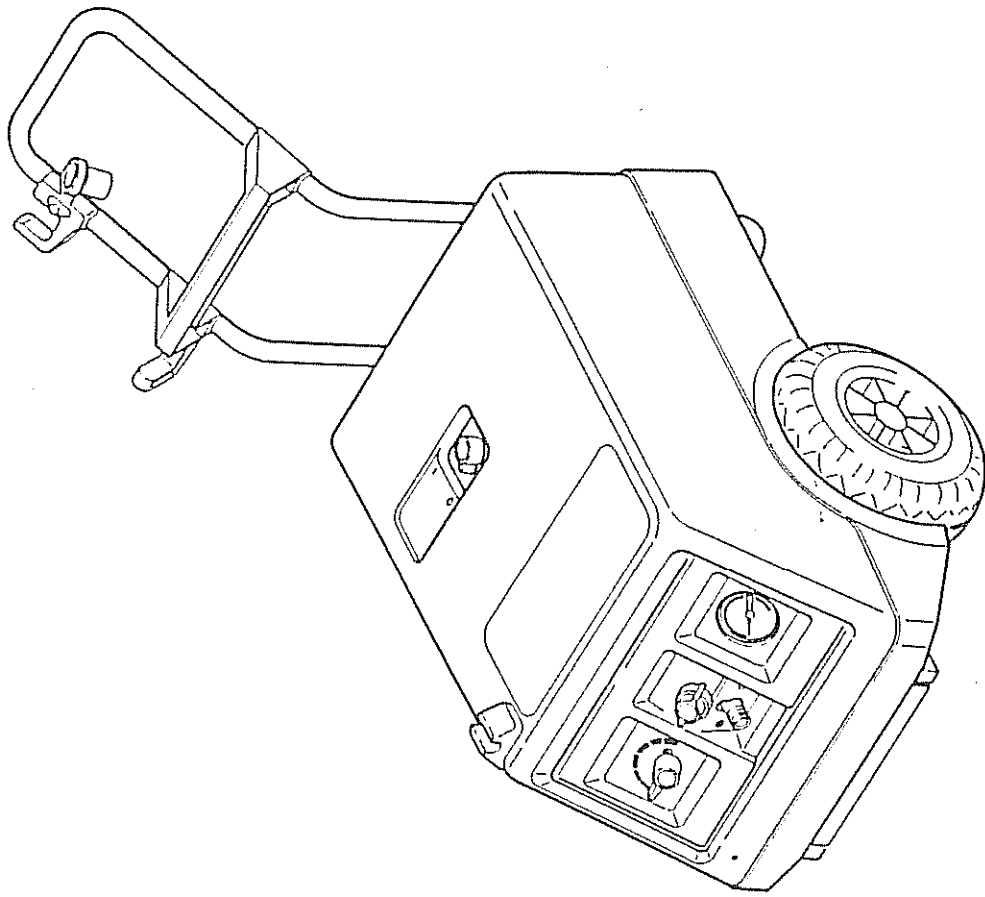
1.861-111 380 V, 3 Ph. 50 Hz
1.861-291 CH

Hr. Thomas Meyer Jnb

HD 1590

A 1

KARCHER



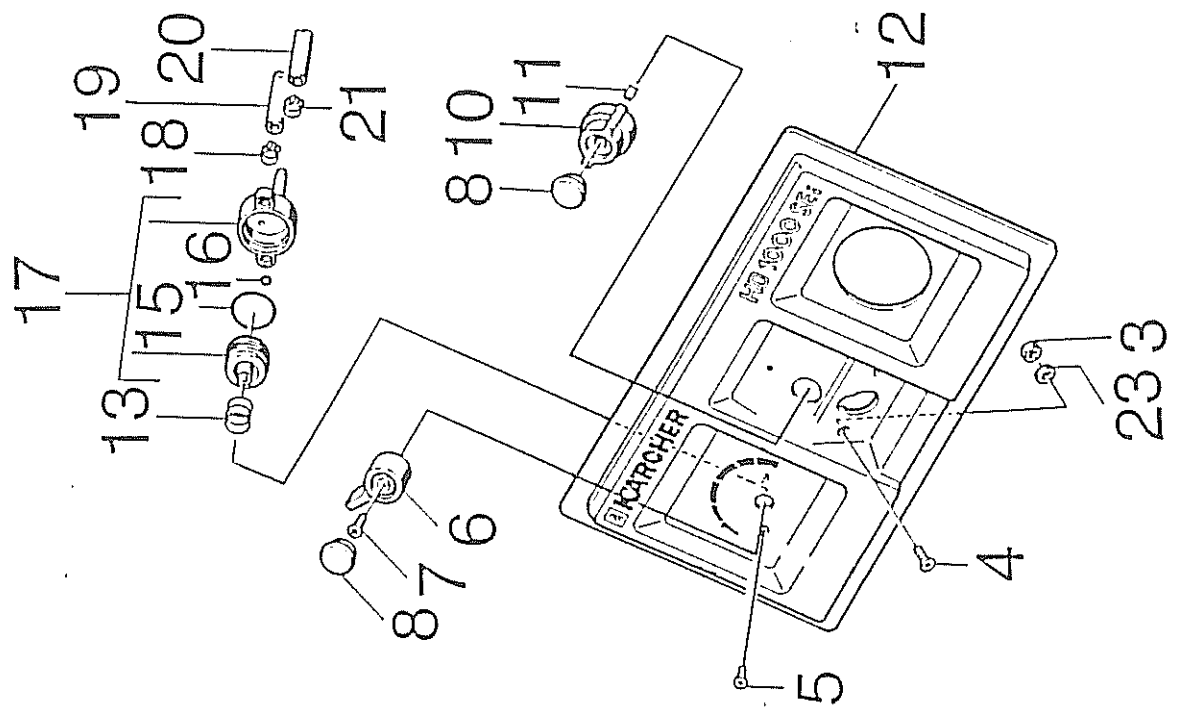
1.861-01.01.001

Gruppe 1: Einzelteile
 Group 1: Component Parts
 Groupe 1: Pièces détachées

B1

HD 1590

Pos.	Benennung Item Description Pos. Designation	Teile-Nr. Part-No. No. piece	Stück Qty. Nbr.
3	6kt-Mutter M 5/ Hexagon Nut/ Ecrou Hex.	7.311-421.0	2
4	Senkschraube M5x20/ Countersunk Screw/ Vis A Tete Fraisee	6.305-004.0	2
5	Senkschraube M4x10/ Countersunk Screw/ Vis A Tete Fraisee	6.305-001.0	2
6	Griff/ Handle/ Poignee	5.321-120.0	1
7	Senkschraube M4x18/ Countersunk Screw/ Vis A Tete Fraisee	7.305-025.0	1
8	Stopfen/ Plug/ Bouchon	5.132-010.0	2
10	Griff/ Handle/ Poignee	5.321-111.0	1
11	Sicherungsfeder/ Retaining Spring/ Ressort D'arret	6.311-003.0	1
12	Instrumententafel/ Instrument Board/ Tableau de Bord	5.841-238.0	1
13	Schraubenfeder/ Coil Spring/ Ressort A Boudin	5.332-028.0	1
15	O Ring 26x2.5/ O-Ring/ Joint Torique	6.362-385.0	1
16	O Ring 5x1.5/ O-Ring/ Joint Torique	6.362-386.0	1
17	Ventil/ Valve/ Vanne	4.580-102.0	1
18	Schlauchschele/ Hose Band Clip/ Collier de Serrage	6.388-560.0	1
19	Schlauchstueck (meterware)/ Flexible Tube Piece (cut goods)/ Piece de Tuyau (marchandise au metre)	6.388-225.0	1
20	Schlauch (meterware)/ Flexible Tube (cut goods)/ Tuyau (marchandise au metre)	6.388-194.0	1
21	Schl.schele 14/9/ Hose Band Clip/ Collier de Serrage	6.380-575.0	1
23	Scheibe A 5.3/ Disk/ Disque	7.312-278.0	1



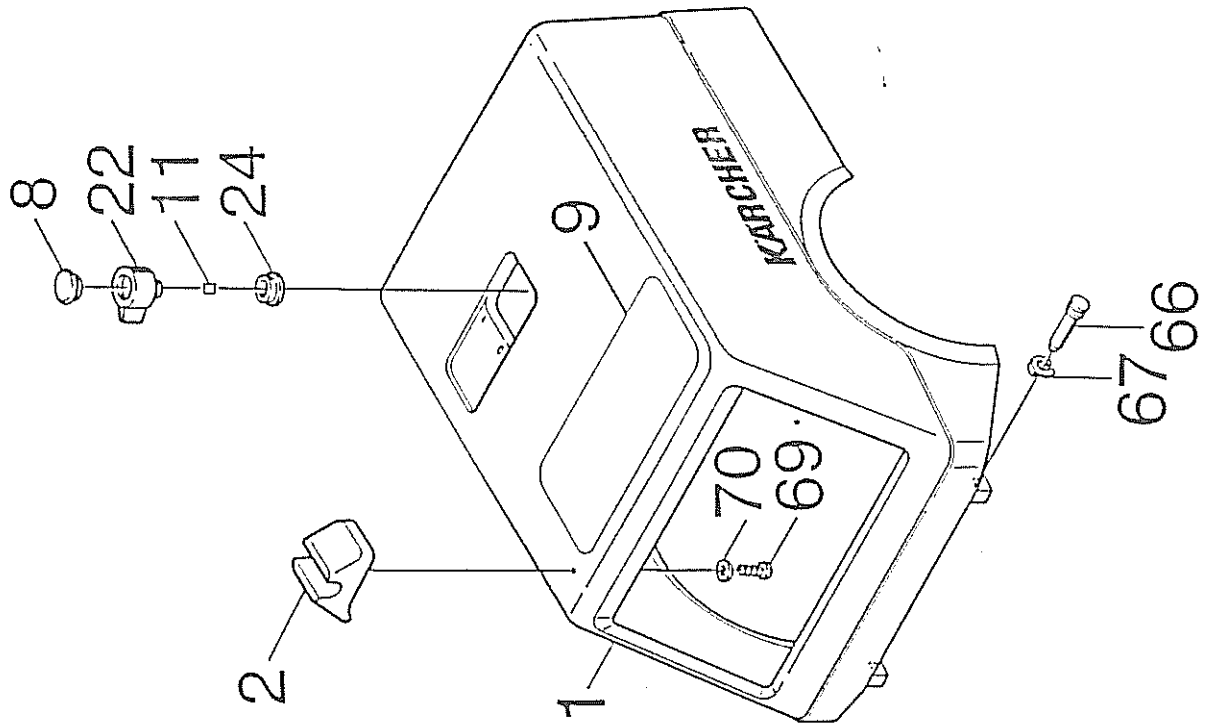
7.861 - 01. 02. 007

Gruppe 1: Einzelteile
 Group 1: Component Parts
 Groupe 1: Pièces détachées

C1

HD 1590

Pos. Benennung Item Description Pos. Designation	Teile-Nr. Part-No. No. piece	Stück Qty. Mbr.
1 Haube/ Cap/ Capot	5.066-170.0	1
2 Halter/ Support/ Appui	5.042-252.0	1
8 Stopfen/ Plug/ Bouchon	5.112-010.0	1
9 Kurzbedienungsanleitung/ Shield/ Plaque	5.388-355.0	1
11 Sicherungsfeder/ Retaining Spring/ Ressort D'arret	6.113-003.0	1
22 Griff/ Handle/ Poignee	5.321-097.0	1
24 Dichttring/ Joint Ring/ Anneau D'etancheite	5.363-135.0	1
66 Bolzen/ Pin/ Axe	5.116-113.0	2
67 Sicherung 10/ Safety Device/ Fusible de Securite	6.343-100.0	2
69 Schraube 4,2x13/ Screw / Vis	6.303-047.0	1
70 Scheibe/ Disk/ Disque	7.112-281.0	1



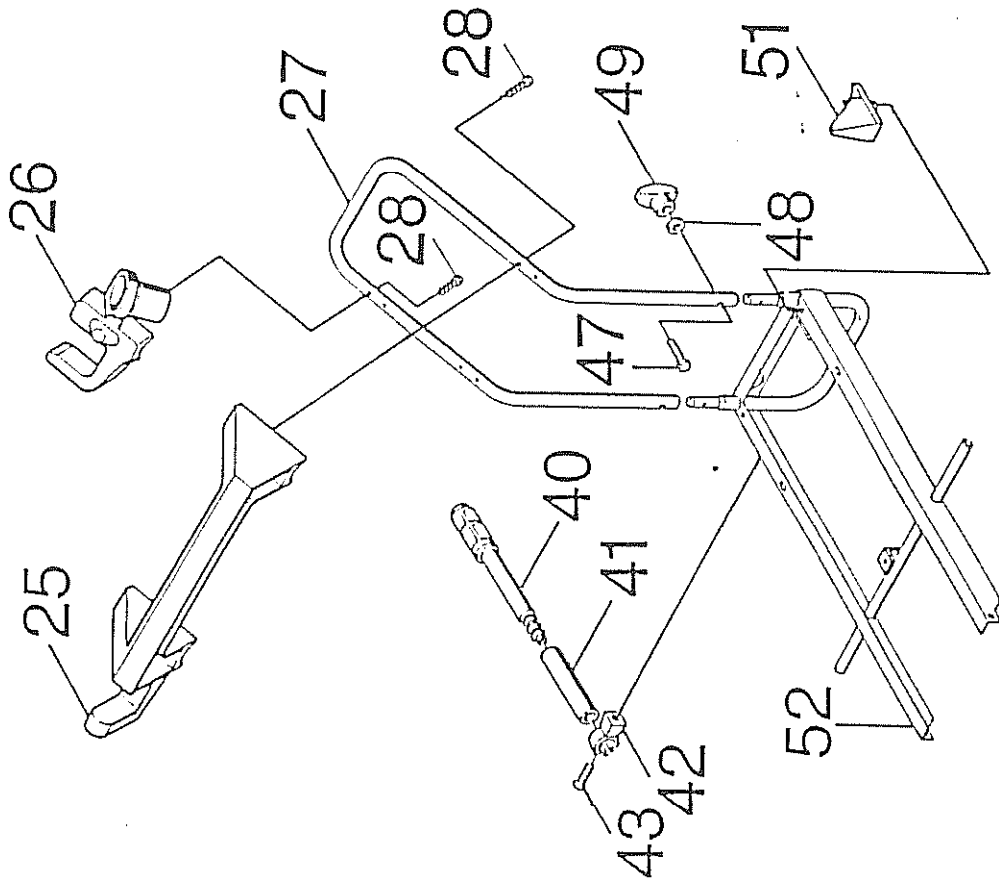
1.861 - 01.03.007

Gruppe 1: Einzelteile
 Group 1: Component Parts
 Groupe 1: Pièces détachées

D1

HD 1590

Pos. Item Pos.	Benennung Description Designation	Teile-Nr. Part-No. No. pièce	Stück Qty. Nbr.
25	Halter/ Support/ Appui	5.042-215.0	1
26	Halter/ Support/ Appui	5.042-213.0	1
27	Griff/ Handle/ Poignée	5.321-098.0	1
28	Bl.schr.st4,8x32/ Sheet Metal Screw/ Vis A Tole	7.303-358.0	3
40	Filter/ Filter/ Filtre	6.414-136.0	1
41	Rohr/ Tube/ Tube	5.025-747.0	1
42	Klemmschelle/ Clamp Clip/ Collier de Fixation	6.373-058.0	1
43	Schneidschr. M5x20/ Self-Tapping Screw/ Vis Autotaraudeuse	6.303-006.0	1
47	6kt-Schraube M 6x30/ Hex. Head Cap Screw/ Boulon A Six Pans	7.304-387.0	2
48	Scheibe B 6,4/ Disk/ Disque	7.312-003.0	2
49	Flügelmutter M 6/ Wing Nut/ Ecrou A Oreilles	6.310-023.0	2
51	Auflager/ Support/ Appui	5.057-022.0	2
52	Grundrahmen/ Base Frame/ Chassis	3.200-106.0	1

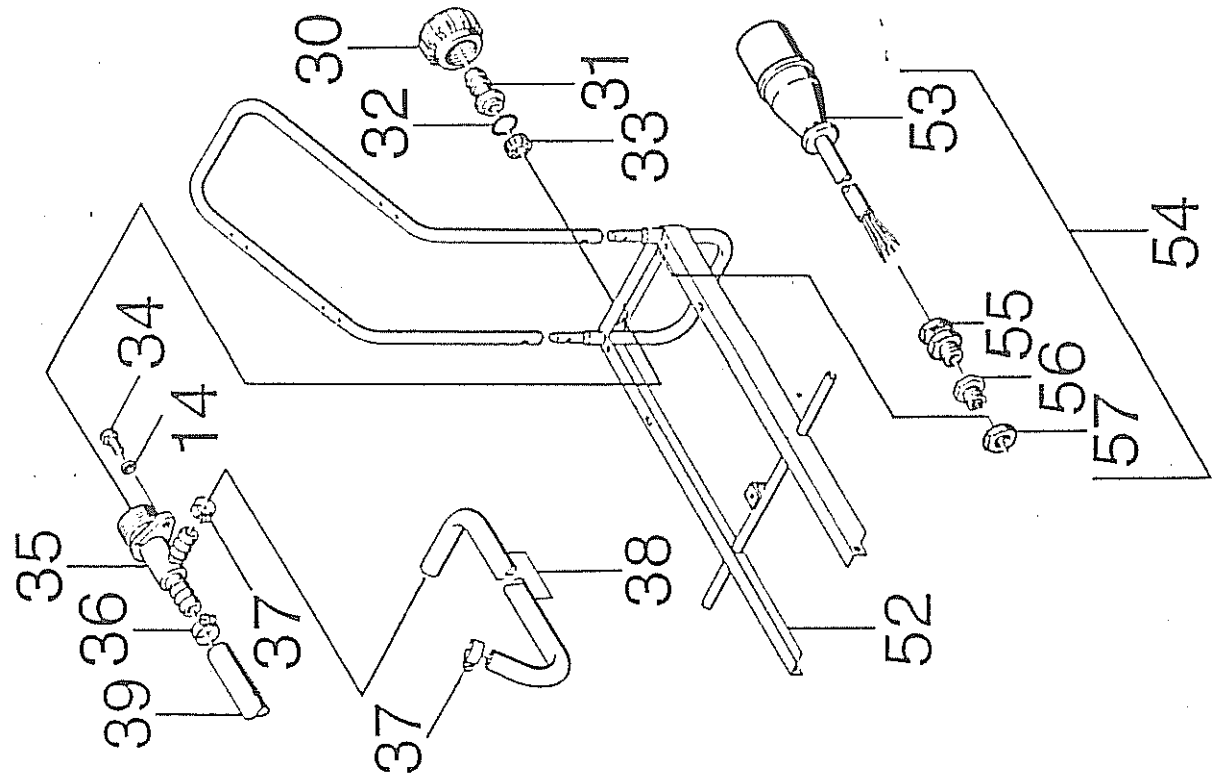


7.861 - 07.04.001

Gruppe 1: Einzelteile
 Group 1: Component Parts
 Groupe 1: Pièces détachées

E 1

HD 1590



Pos. Pos.	Benennung Description Designation	Teil-Nr. Part-No. No-piece	Stück Qty. Nbr.
14	Zahnscheibe A 6,4 / Crown Gear / Roue Plate	7.312-167.0	1
30	Mutter / Nut / Ecrou	5.310-076.0	1
31	Schlauchnippe1 / Hose Stem / Raccord Pour Tuyau	5.443-291.0	1
32	O-Ring 19,3x2,4 / O-Ring / Joint Torique	6.362-161.0	1
33	Sieb / Strainer / Passoir	6.414-141.0	1
34	6kt-Schraube M6x12 / Hex. Head Cap Screw / Boulon A Six Fans	7.309-008.0	1
35	Knotenstueck / Strut Att. Fitting / Ferrure Modale	5.427-060.0	1
36	Schl.schelle 20-32 / Hose Band Clip / Collier de Serrage	6.388-548.0	2
37	Schl.schelle 16-25 / Hose Band Clip / Collier de Serrage	6.388-547.0	2
38	Schlauchstueck / Flexible Tube Piece / Piece de Tuyau	5.442-445.0	1
39	Schlauchstueck / Flexible Tube Piece / Piece de Tuyau	5.442-443.0	1
52	Grundrahmen / Base Frame / Chassis	3.200-106.0	1
53	Cekon-Stecker siehe Bildtafel F16/G16 / Cekon Connector see Board F16/G16 / Prise Cekon voir Tableau F16/G16		
54	Kabel siehe Bildtafel F16/G16 / Cable see Board F16/G16 / Cable voir Tableau F16/G16		
55	Halbversch. siehe Bildtafel F16/G16 / Half R.screw see Board F16/G16 / Raccord voir Tableau F16/G16		
56	Red.Ring siehe Bildtafel F16/G16 / Red-Ring see Board F16/G16 / Anneau voir Tableau F16/G16		
57	Gegenmutter siehe Bildtafel F16/G16 / Counternut see Board F16/G16 / Contre-Ecrou voir Tableau F16/G16		



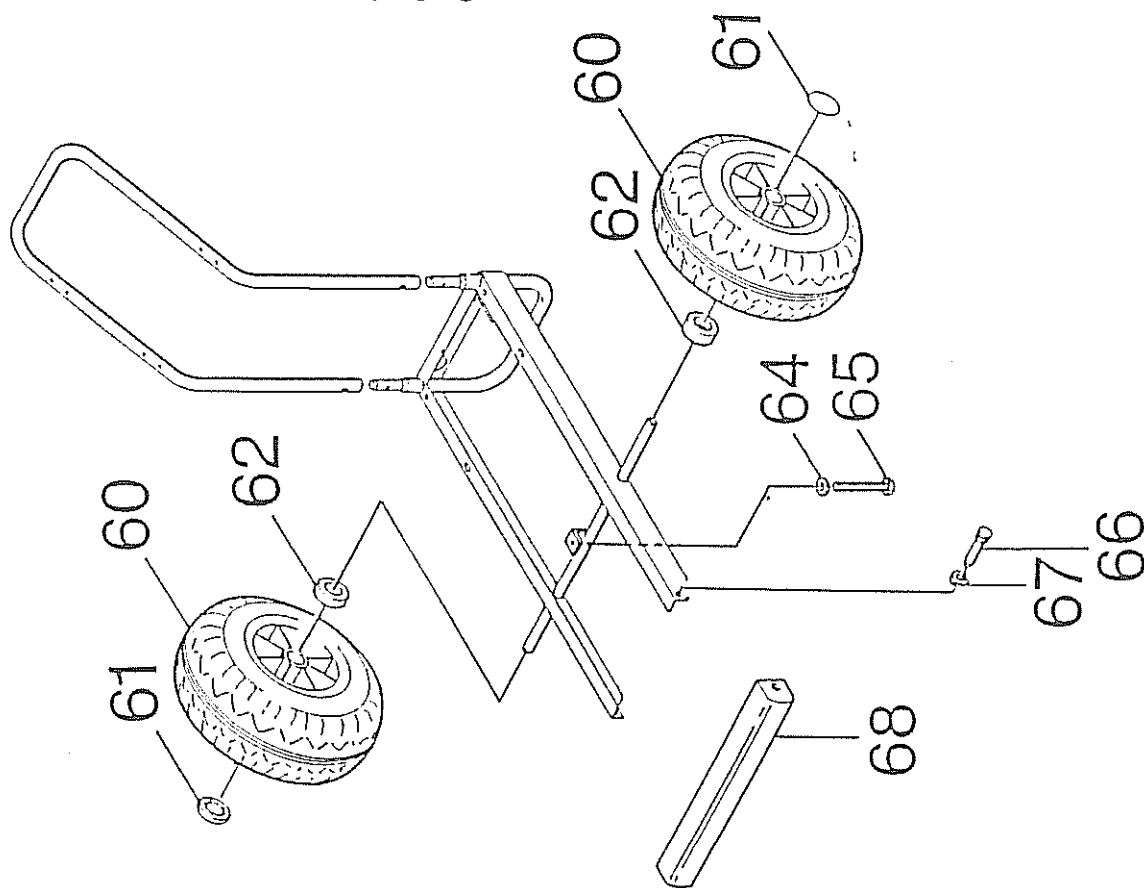
7.867-01.05.007

F1

HD 1590

Gruppe 1: Einzelteile
Group 1: Component Parts
Groupe 1: Pièces détachées

Pos. Benennung Item Description Pos. Designation	Teile-Nr. Part-No. No. piece	Stück Qty. Nbr.
60 Rad D 260/ Wheel/ Roue	6.435-100.0	2
61 Schnellbefestiger/ Quick-Fastener/ Attache Rapide	6.343-124.0	2
62 Huelle/ Pod/ Douille	5.110-378.0	2
64 Scheibe B 8,4/ Disk/ Disque	7.312-004.0	1
65 6kt-Schraube M 8x20/ Hex. Head Cap Screw/ Boulon A Six Pans	7.304-397.0	1
66 Bolzen/ Pin/ Axe	5.316-113.0	2
67 Sicherung 10/ Safety Device/ Fusible de Securite	6.343-100.0	2
68 Griff/ Handle/ Poignee	5.321-096.0	1

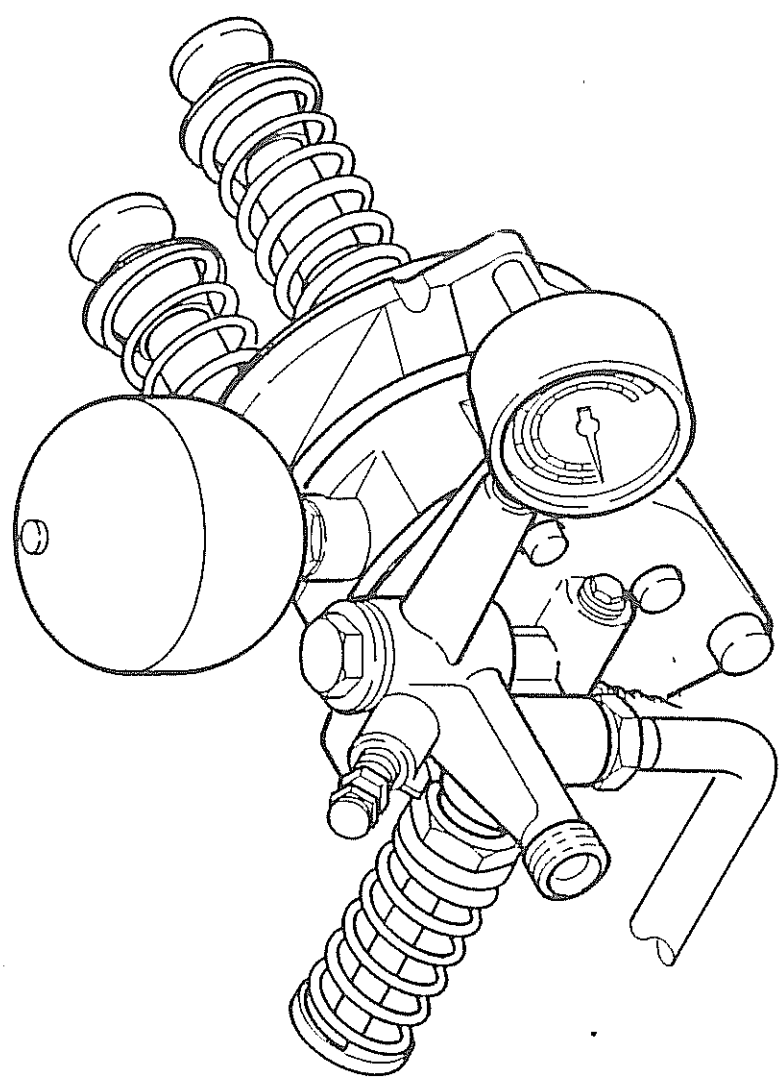


1.861-01.06.007

 **KÄRCHER**

A 2

HD 1590



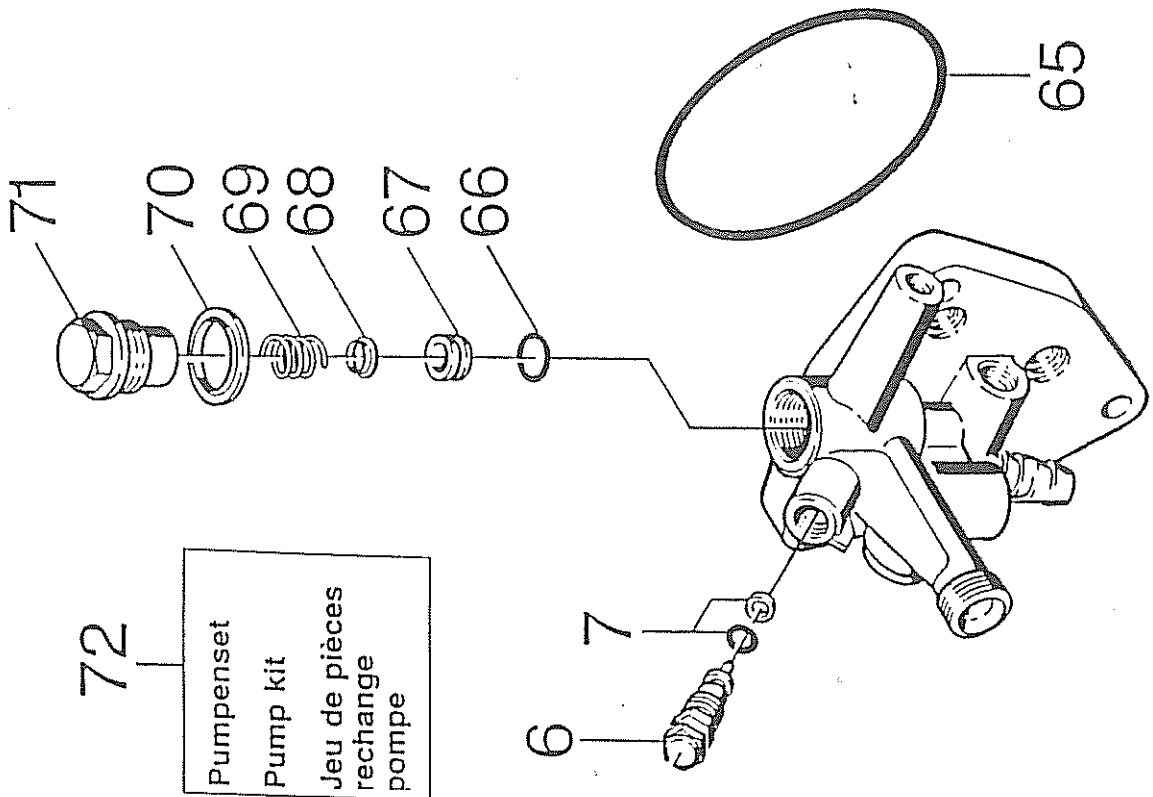
1.861 - 02.07.007

Gruppe 2: Pumpensatz
 Group 2: Pump Unit
 Groupe 2: Moto-pompe

B 2

HD 1590

Pos.	Benennung Item Description Pos. Designation	Teile-Nr. Part-No. No. piece	Stück Qty. Nbr.
6	Spindel/ Spindle/ Pivot	5.291-021.0	1
7	O-Ring Komplet/ O-Ring Compl./ Joint Torique Comp1	6.362-365.0	1
65	O-Ring 105x1,78/ O-Ring/ Joint Torique	6.362-449.0	1
66	O-Ring 15x1/ O-Ring/ Joint Torique	6.362-423.0	1
67	Ventilsitz/ Valve Seat/ Siege de Soupape	5.581-105.0	1
68	Ventilteller/ Valve Head/ Tete de Soupape	5.582-029.0	1
69	Schraubenfeder/ Coil Spring/ Ressort A Boudin	5.332-125.0	1
70	Usiring26,7x35x2,0/ Joint Ring/ Anneau D'etancheite	6.362-230.0	1
71	Ventilschraube/ Valve Screw/ Vis de Soupape	5.583-056.0	1
72	Pumpenset siehe Bildtafel H16/ Pump Kit see Board H16/ Jeu de Pieces de Rechange Pompe voir Tableau H16	2.883-138.0	1

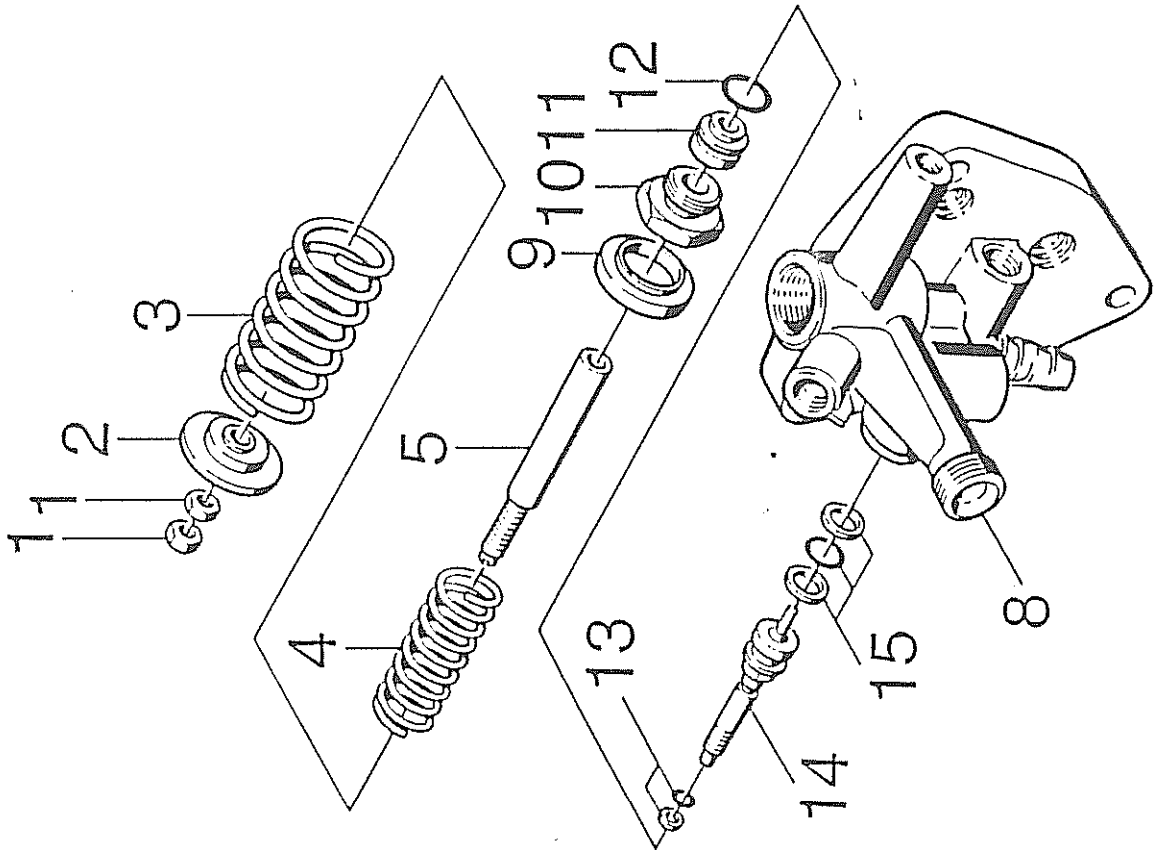


Gruppe 2: Pumpensatz
 Group 2: Pump Unit
 Groupe 2: Moto-pompe

C2

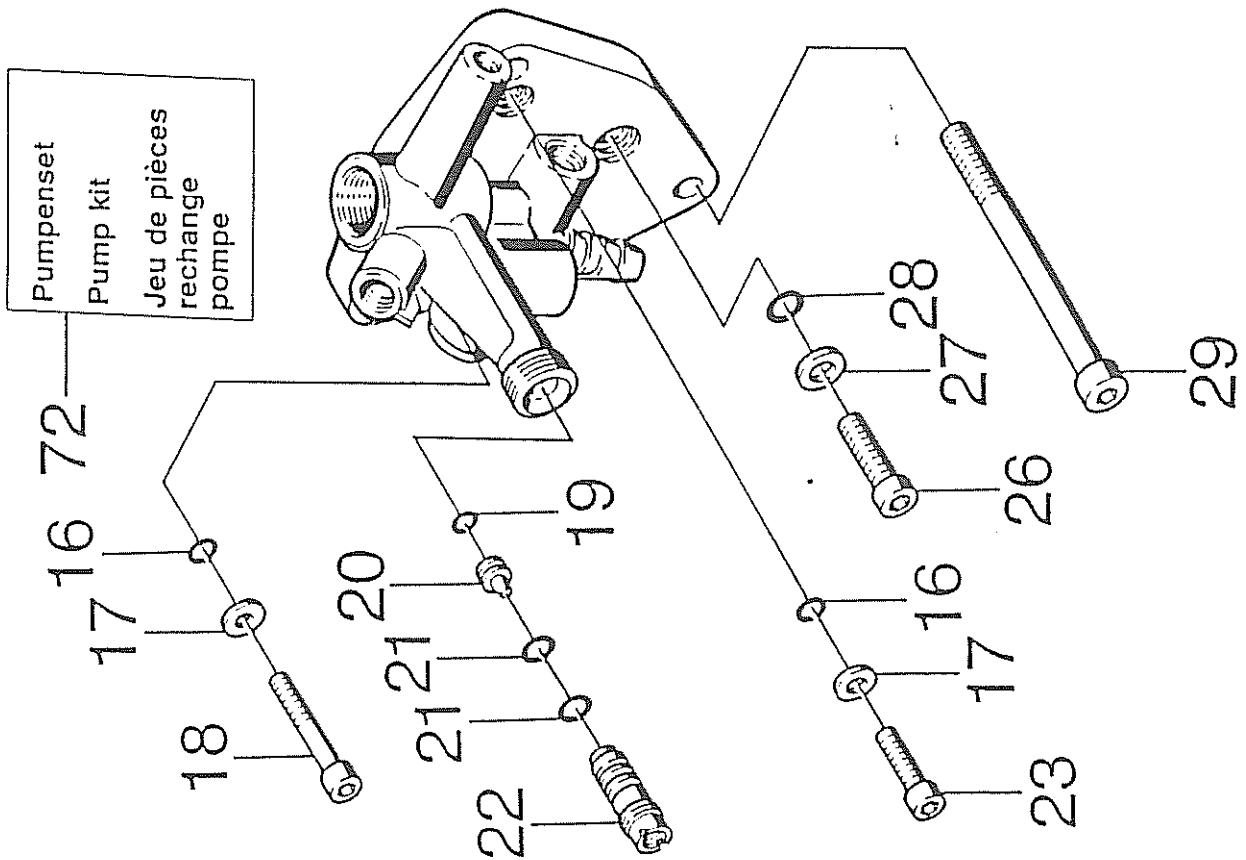
HD 1590

Pos. Benennung Item Description Pos. Designation	Teile-Nr. Part-No. No. piece	Stück Qty. Nbr.
1 Gkt-Mutter M 8/ Hexagon Nut/ Ecrou Hex.	7.311-041.0	2
2 Scheibe/ Disk/ Disque	5.115-180.0	1
3 Schraubenfeder/ Coil Spring/ Ressort A Boudin	5.332-092.0	1
4 Schraubenfeder/ Coil Spring/ Ressort A Boudin	5.332-093.0	1
5 Stange/ Rod/ Perche	5.107-045.0	1
8 Gehäuse Kompl./ Housing Compl./ Boitier Compl.	4.060-079.0	1
9 Formteil/ Preform/ Preforme	5.030-251.0	1
10 Formschraube/ Special Screw/ Vis de Forme	5.305-098.0	1
11 Hülse/ Pod/ Douille	5.110-184.0	1
12 O-Ring 13,3x2,4/ O-Ring/ Joint Torique	6.362-078.0	1
13 O-Ring Kpl./1st.-R./ O-Ring Complete/ Joint Torique Compl.	6.362-453.0	1
14 Kolben/ Piston/ Piston	5.553-085.0	1
15 O-Ring, Kompl./ O-Ring Compl./ Joint Torique Compl	6.362-450.0	1



1.861 - 02.03.007

Pumpenset
 Pump kit
 Jeu de pièces
 rechange
 pompe



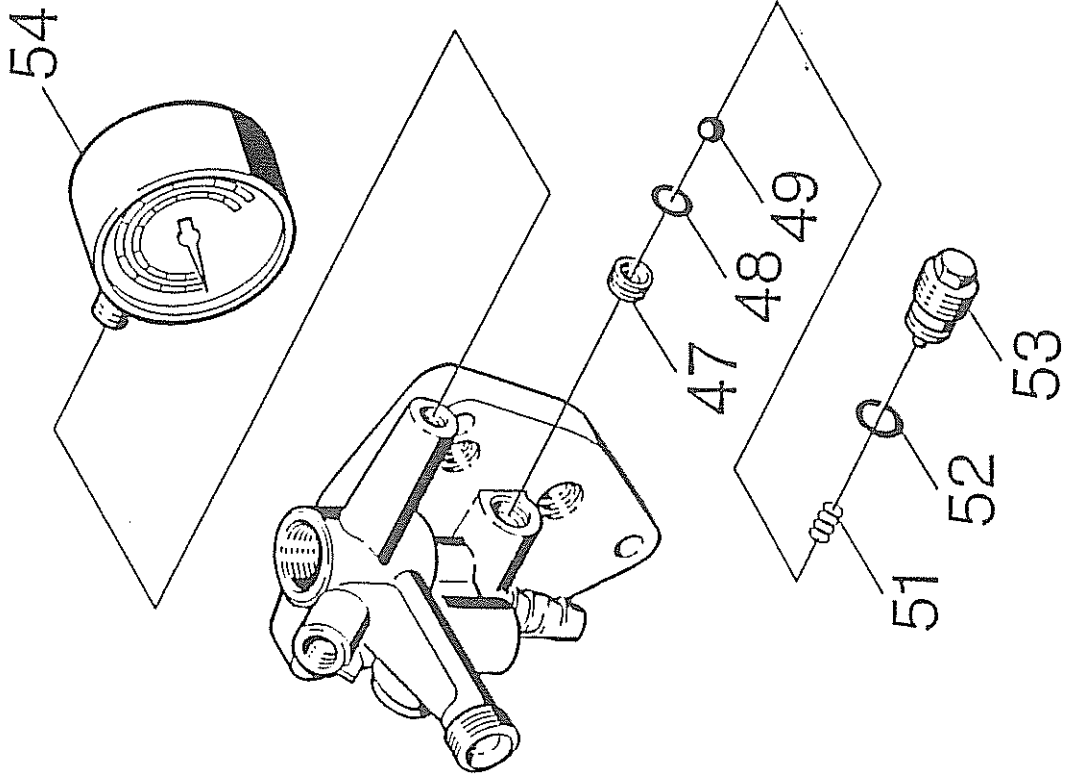
Pos.	Benennung Item Description Pos. Designation	Teile-Nr. Part-No. No. pièce	Stück Qty. Mbr.
16	O-Ring 8x2/ O-Ring/ Joint Torique	7.362-507.0	3
17	Scheibe 8,4/ Disk/ Disque	7.312-073.0	3
18	Zyl-Schr.is M 8x50/ Cheese-Head Screw/ Vis A Tete Cylindr.	7.306-039.0	1
19	O-Ring 6,07x1,78/ O-Ring/ Joint Torique	6.362-176.0	1
20	Dueseneinsatz/ Nozzle Insert/ Insert de Tuyere	5.769-090.0	1
21	O-Ring 9x1,5/ O-Ring/ Joint Torique	6.362-384.0	2
22	Dueseneinsatz/ Nozzle Insert/ Insert de Tuyere	5.769-090.0 054	1
23	Zyl-Schr.is. M 8x30/ Cheese-Head Screw/ Vis A Tete Cylindr.	7.306-043.0	2
26	Zyl-Schr.is M12x35/ Cheese Head Screw/ Vis A Tete Cyl.	6.304-015.0	1
27	Scheibe/ Disk/ Disque	5.115-239.0	1
28	O-Ring 12,0x2,0/ O-Ring/ Joint Torique	6.362-169.0	1
29	Zyl-Schr.is M12x130/ Cheese-Head Screw/ Vis A Tete Cylindr.	7.306-096.0	3
72	Pumpenset siehe Bildtafel H16/ Pump Kit see Board H16/ Jeu de Pieces de Rechange Pompe voir Tableau H16	2.883-138.0	1

Gruppe 2: Pumpensatz
 Group 2: Pump Unit
 Groupe 2: Moto-pompe

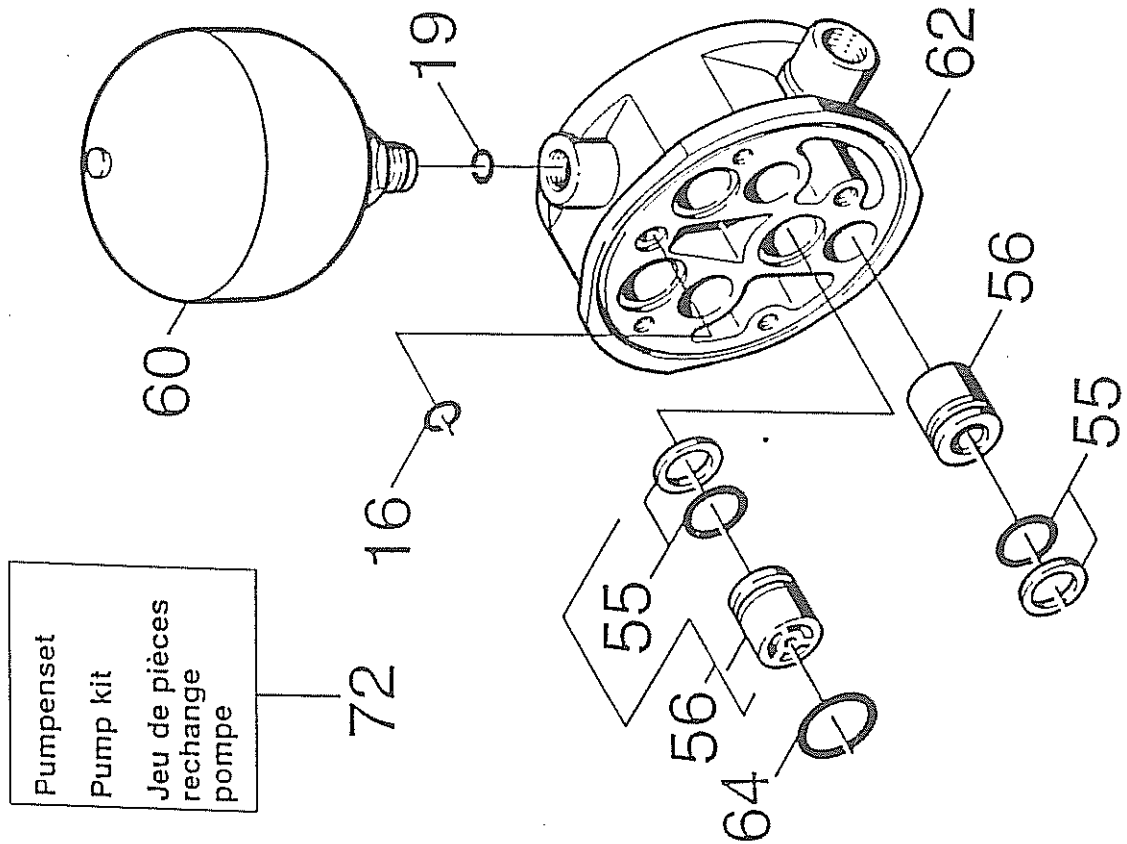
E 2

HD 1590

Pos. Benennung Item Description Pos. Designation	Teile-Nr. Part-No. No. piece	Stück Qty. Nbr.
47 Ventilsitz/ Valve Seat/ Siege de Soupape	5.581-050.0	1
48 O-Ring 10x1/ O-Ring/ Joint Torique	6.362-437.0	1
49 Stahlkugel 3/8 z/ Steel Ball/ Ball D'acier	7.401-907.0	1
51 Schraubenfeder/ Coil Spring/ Ressort A Boudin	5.332-988.0	1
52 O-Ring 10x2,2/ O-Ring/ Joint Torique	6.362-077.0	1
53 Verschlusschraube/ Screw Plug/ Vis de Fermeture	5.411-044.0	1
54 Manometer 0-250 Bar/ Manometer/ Manometre	6.421-088.0	1



Pos. Benennung Item Description Pos. Designation	Teile-Nr. Part-No. No. piece	Stück Qty. Mbr.
16 O-Ring 8x2/ O-Ring/ Joint Torique	7.362-507.0	1
19 O-Ring 6,07x1,78/ O-Ring/ Joint Torique	6.362-176.0	1
55 O-Ring Kpl./ist.-R./ O-Ring Complete/ Joint Torique Comp.	6.362-500.0	6
56 Ventil Kompl./ Valve Compl./ Soupape Compl.	4.580-192.0	6
60 Druckspeicher/ Pulsation Damper/ Anti-Beier	6.505-021.0	1
62 Zylinderkopf/ Cylinder Head/ Culasse	5.550-157.0	1
64 O-Ring 21x2,4/ O-Ring/ Joint Torique	6.362-446.0	3
72 Pumpenset siehe Bildtafel H16/ Pump Kit see Board H16/ Jeu de Pieces de Rechange Pompe voir Tableau H16	2.883-118.0	1



Gruppe 2: Pumpensatz
 Group 2: Pump Unit
 Groupe 2: Moto-pompe

G 2

HD 1590

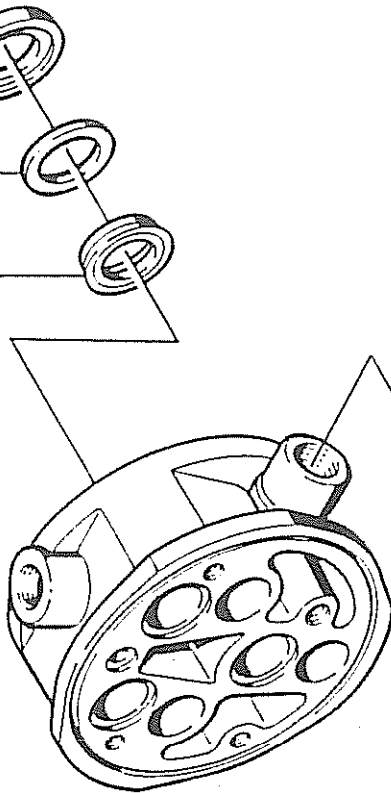
Pumpenset
 Pump kit
 Jeu de pièces
 recharge
 pompe

72

57

58

59



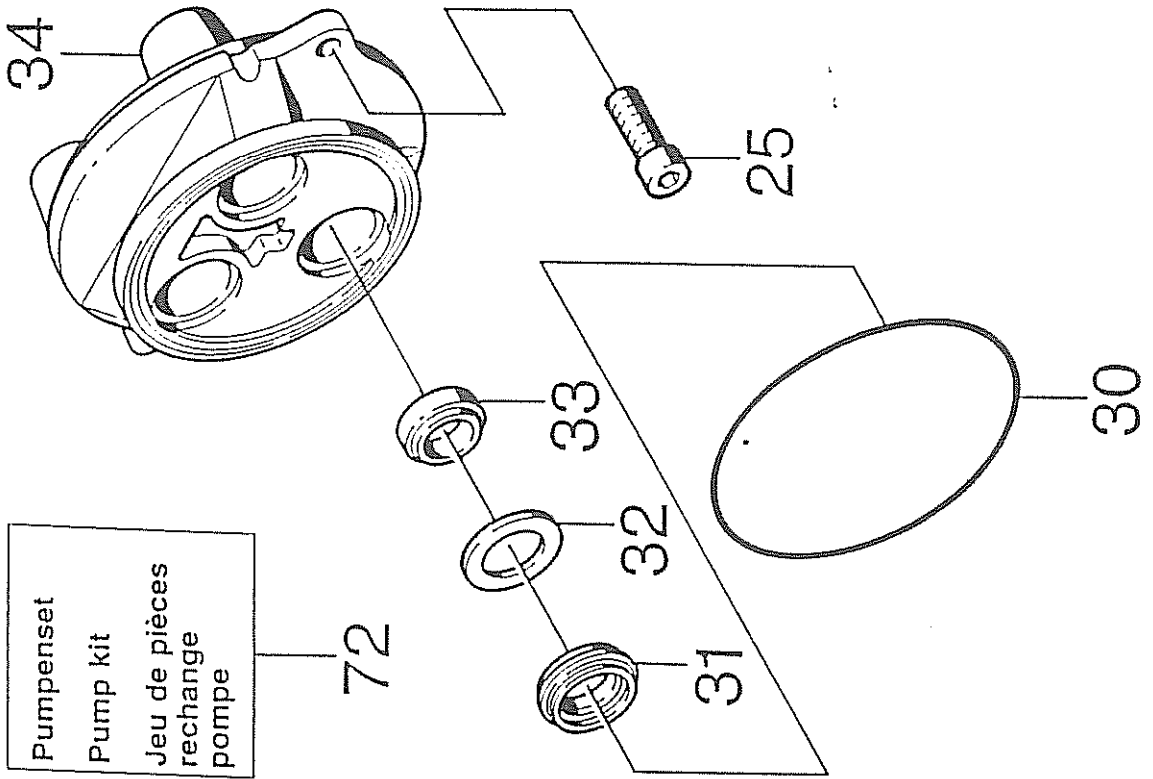
63

12

13

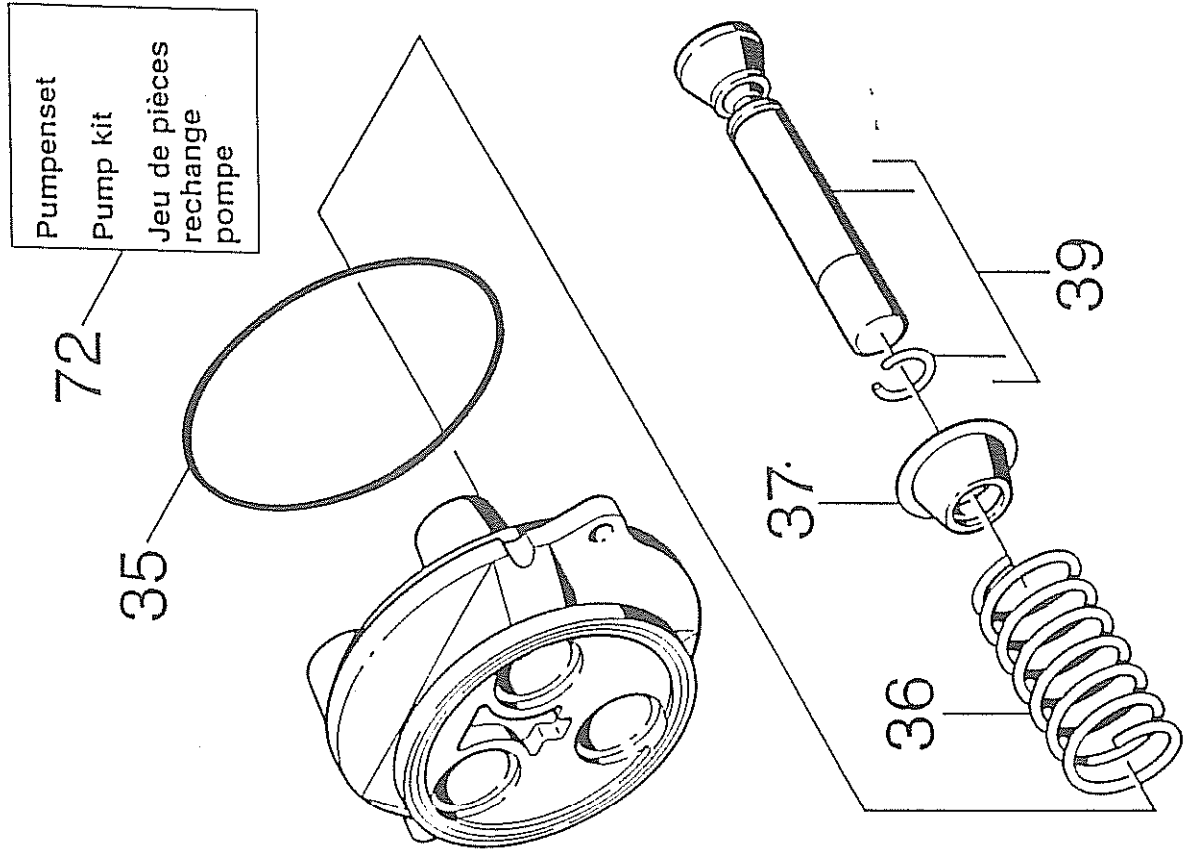
Pos. Benennung Item Description Pos. Designation	Teile-Nr. Part-No. No. piece	Stück Qty. Nbr.
12 Schlauchschelle 20-32/ Hose Band Clip/ Collier de Serrage	6.388-548.0	1
11 Schlauchstück/ Flexible Tube Piece/ Piece de Tuyau	5.442-724.0	1
57 Scheibe/ Disk/ Disque	5.115-279.0	3
58 Scheibe/ Disk/ Disque	5.115-247.0	3
59 Nutring 22x30x5/ Grooved Ring/ Joint En U A Lévres	6.365-055.0	3
63 Schlauchnippel/ Hose Stem/ Raccord Pour Tuyau	5.443-235.0	1
72 Pumpenset siehe Bildtafel H16/ Pump Kit see Board H16/ Jeu de Pièces de Rechange Pompe voir Tableau H16	2.883-138.0	1





Pos. Benennung Item Description Pos. Designation	Teile-Nr. Part-No. No. piece	Stück Qty. Nbr.
25 Zyl-Schr.is. M 8x20/ Cheese Head Screw/ Vis A Tete Cylindr.	7.306-041.0	2
30 O-Ring 100x1,78/ O-Ring/ Joint Torique	6.362-448.0	1
31 Kompaktdtg. 22x32x6/ Compact Seal/ Joint Compact	6.365-056.0	3
32 Scheibe/ Disk/ Disque	5.115-278.0	3
33 Nutring 22x30x6/8/ Grooved Ring/ Joint En U A Levres	6.365-059.0	3
34 Gehaeuse/ Housing/ Boitier	5.060-190.0	1
72 Pumpenset siehe Hildtafel H16/ Pump Kit see Board H16/ Jeu de Pieces de Rechange Pompe voir Tableau H16	2.883-138.0	1

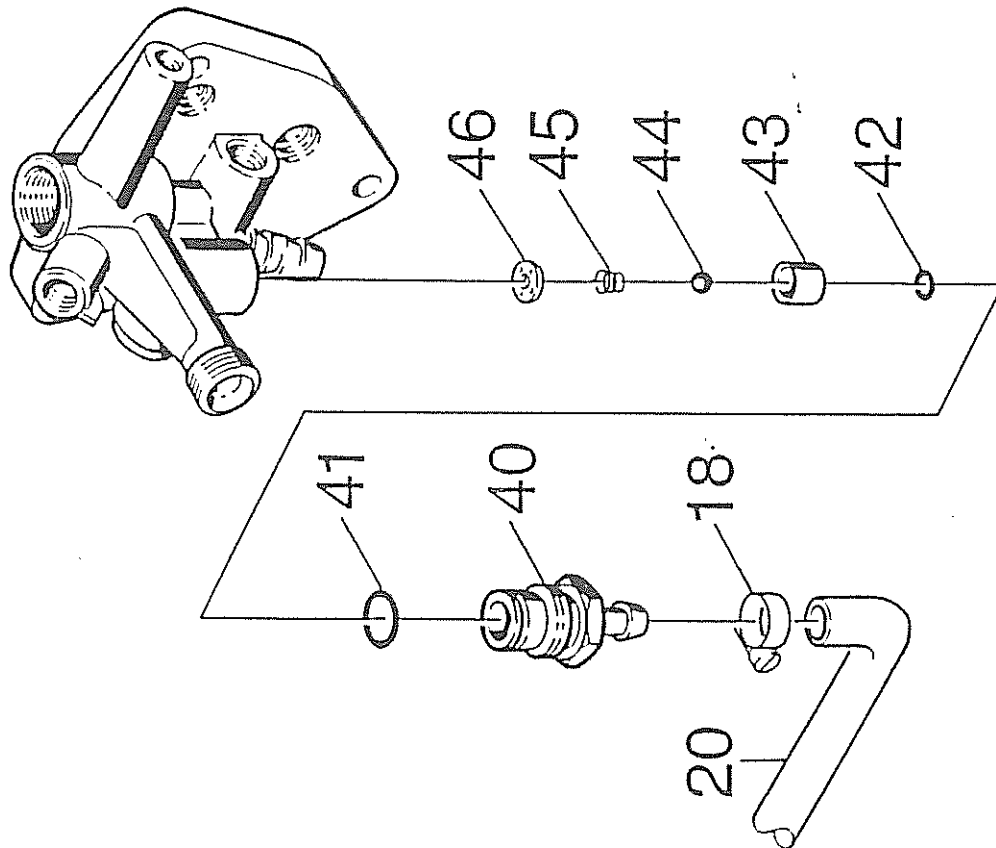
Pos. Item Pos.	Benennung Description Designation	Teile-Nr. Part-No. No. piece	Stück Qty. Nbr.
35	O-Ring 115x1,78/ O-Ring/ Joint Torique	6.362-447.0	1
36	Schraubenfeder/ Coil Spring/ Ressort A Boudin	5.332-117.0	3
37	Formteil/ Preform/ Preforme	5.030-374.0	3
39	Kolben Kompletz/ Piston Complete/ Piston Complet	4.553-116.0	3
72	Pumpenset siehe Bildtafel H16/ Pump Kit see Board H16/ Jeu de Pieces de Rechange Pompe voir Tableau H16	2.883-138.0	1



Gruppe 2: Pumpensatz
 Group 2: Pump Unit
 Groupe 2: Moto-pompe

J2

HD 1590



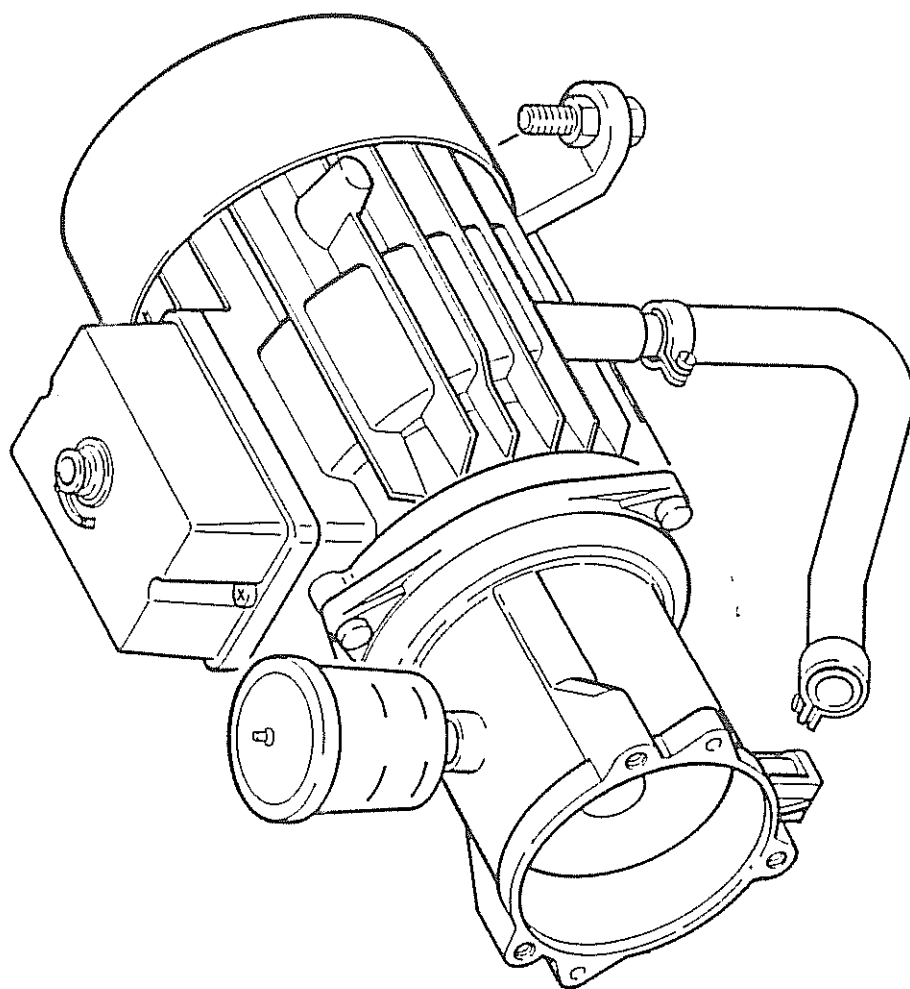
Pos.	Benennung Item Description Pos. Designation	Teile-Nr. Part-No. No. piece	Stück Qty. Nbr.
18	Schlauchschele/ Hose Band Clip/ Collier de Serrage	6.388-560.0	1
20	Schlauch (meterware)/ Flexible Tube (cut goods)/ Tuyau (marchandise au metre)	6.388-194.0	1
40	Schlauchnippel/ Hose Stem/ Raccord Pour Tuyau	5.443-116.0	1
41	O-Ring 14x1,5/ O-Ring/ Joint Torique	6.362-112.0	1
42	O-Ring 6x2/ O-Ring/ Joint Torique	6.362-383.0	1
43	Buchse/ Bush/ Douille	5.112-111.0	1
44	Kugel D 7/ Ball/ Boule	7.401-908.0	1
45	Schraubenfeder/ Coil Spring/ Ressort A Boudin	5.332-004.0	1
46	Teller/ Plate/ Plateau	5.116-015.0	1

7.867 - 02.10.007

 **KÄRCHER**

A 3

HD 1590



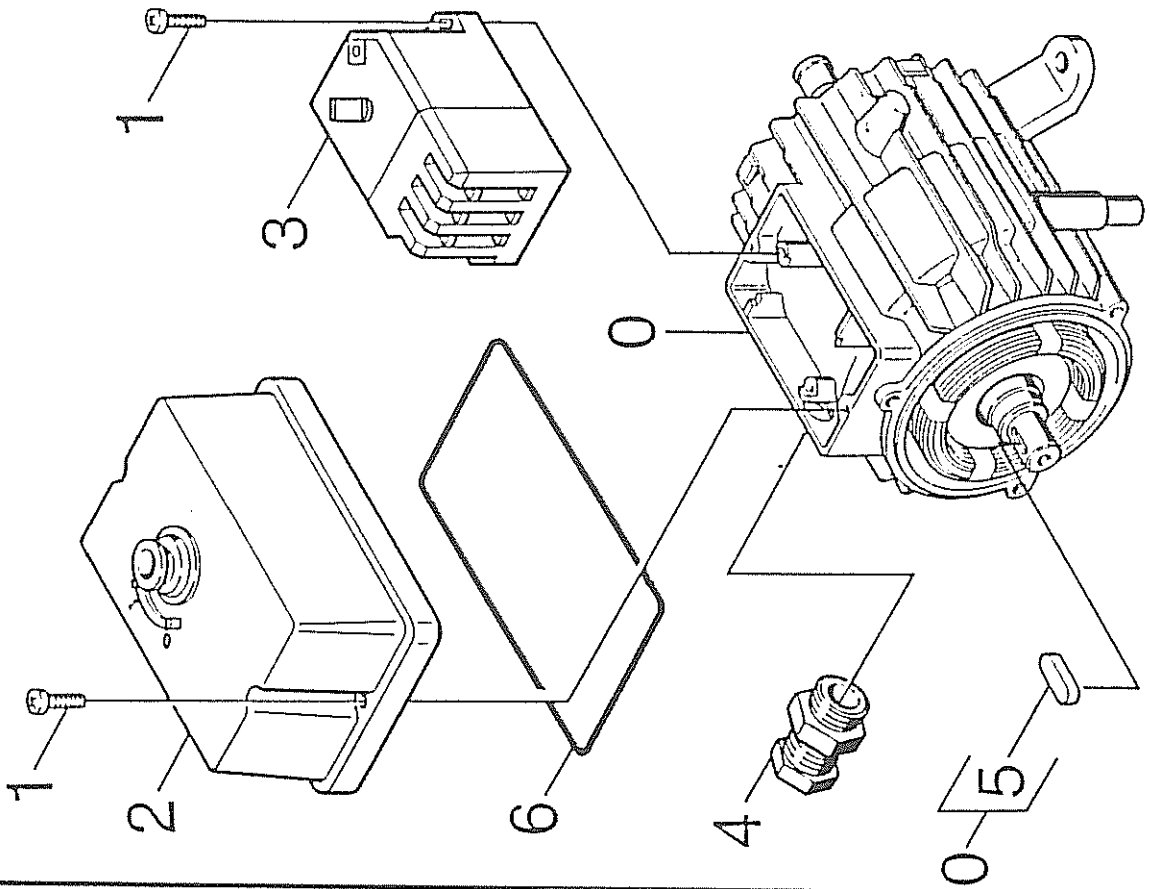
1.861 - 03.07.007

Gruppe 3: Motor
 Group 3: Motor
 Groupe 3: Moteur

B 3

HD 1590

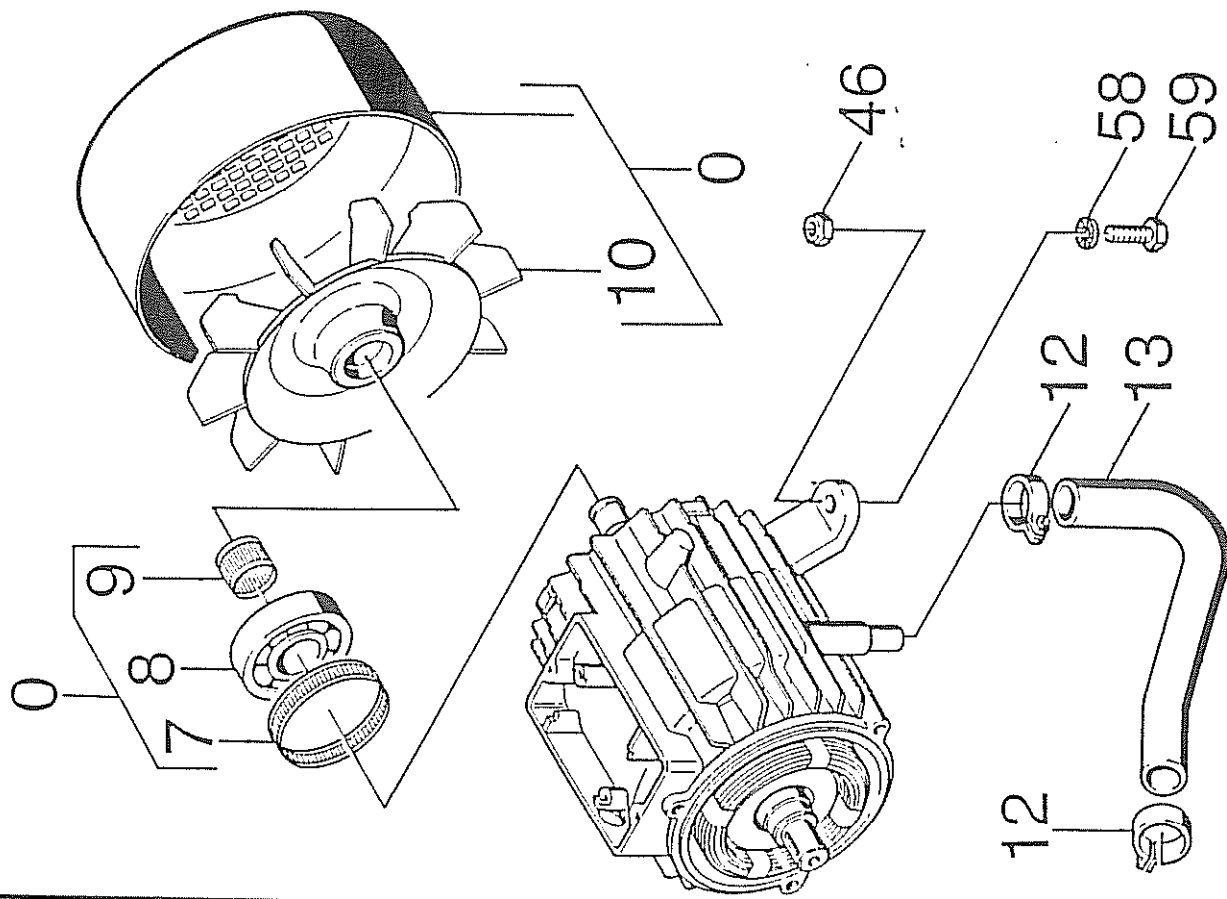
Pos. Benennung Item Description Pos. Designation	Teile-Nr. Part-No. No. piece	Stück Qty. Mtr.
0 Motor 7,5 Kw/ Moteur <i>4111 380 - 400 Volt</i>	6.611-461.0	1
1 Linsenschr. M4x18/ Oval Head Screw/ Vis A Tete Bombe	7.309-013.0	4
2 Haube/ Cap/ Capot	5.066-098.0	1
3 Motorschutzschalter/ Prot. Motor Switch/ Coffret de Protect.	6.631-196.0	1
4 Kabelversch. Pg 16/ Cable Connector/ Raccord de Cables	6.641-356.0	1
5 Passfeder 8x7x25/ Feather Key/ Ressort D'Ajustage	7.318-035.0	1
6 Moosgummischnur 3/ Foamed-Rubber Ring/ Cordon En Caout.	6.273-037.0	1m



Gruppe 3: Motor
 Group 3: Motor
 Groupe 3: Moteur

C 3

HD 1590



Pos. Benennung Item Description Pos. Designation	Motor 7,5 KW/ Moteur	Teile-Nr. Part-No. No. piece	Stück Qty. Nbr.
0	Motor 7,5 KW/ Moteur	6.611-461.0	1
7	Toleranzring 62x10/ Tolerance Ring/ Entretien	6.343-010.0	1
8	Kugellager 6305-2z/ Ball Bearing/ Roulement A Billes	7.401-148.0	2
9	Toleranzring/ Tolerance Ring/ Entretien	6.343-025.0	1
10	Luefterrad/ Fan Impeller/ Roue de Ventilateur	6.611-179.0	1
12	Schl.schelle 20-32/ Hose Band Clip/ Collier de serrage	6.388-548.0	2
13	Schlauchstueck/ Flexible Tube Piece/ Piece de tuyau	5.442-744.0	1
46	6kt-Mutter M 8/ Hexagon Nut/ Ecrou Hexagonal	7.311-510.0	2
58	Zahnscheibe A 8,4/ Crown Gear/ Roue Plate	7.312-166.0	2
59	6kt-Schraube M8x25/ Hex. Head Cap Screw/ Boulon A Six Pans	7.304-399.0	2



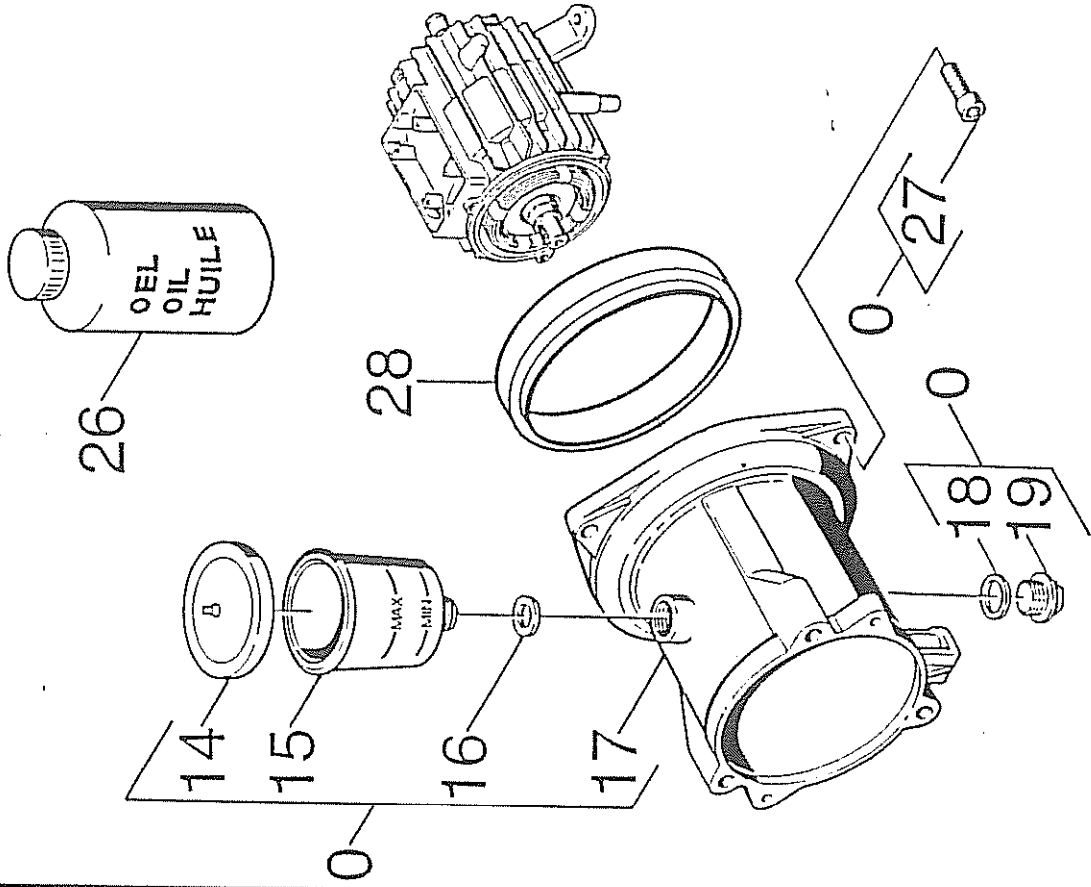
Gruppe 3: Motor
 Group 3: Motor
 Groupe 3: Moteur

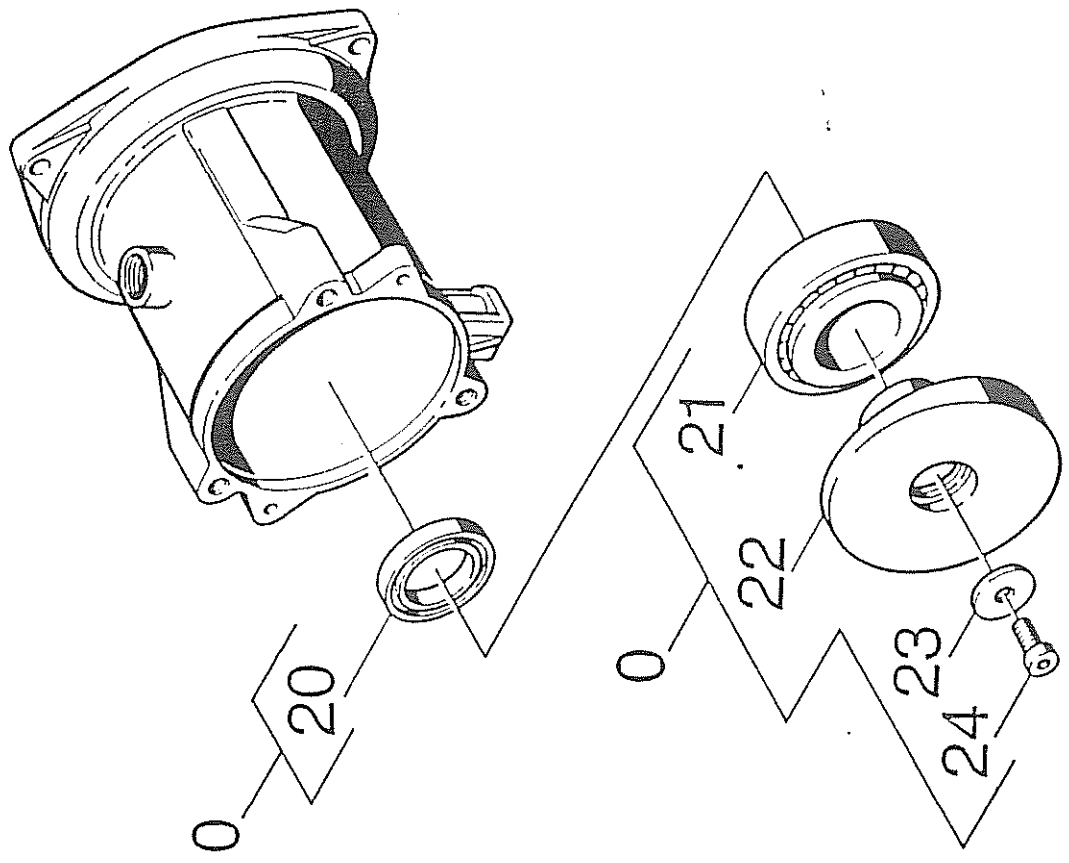
D 3

HD 1590

Pos. Benennung Item Description Pos. Designation	Teile-Nr. Part-No. No. piece	Stück Qty. Nbr.
--------------------------------------------------------	------------------------------------	-----------------------

0 Motor 7,5 KW/ Moteur	6.611-461.0	1
14 Deckel/ Cover/ Couvercle	5.063-189.0	1
15 Behälter/ Receptacle/ Recipient	5.070-048.0	1
16 Dichtring/ Joint Ring/ Anneau D'etancheite	5.363-100.0	1
17 Gehäuse/ Housing/ Boitier	5.060-249.0	1
18 Dichtring A 18x22/ Joint Ring/ Anneau D'etancheite	7.362-009.0	1
19 Vs.schraube M18x1,5/ Screw Plug/ Vis de fermeture	7.382-235.0	1
26 Getriebeöl/ Gear Lubricant Oil/ Huile A Engrenages	6.288-016.0	1L
27 Zvl-Schr.is. M 8x50/ Cheese-Head Screw/ Vis A Tete Cylindr.	7.306-039.0	3
28 Zwischenring/ Intermediate Ring/ Bague Intercalaire	5.122-143.0	1



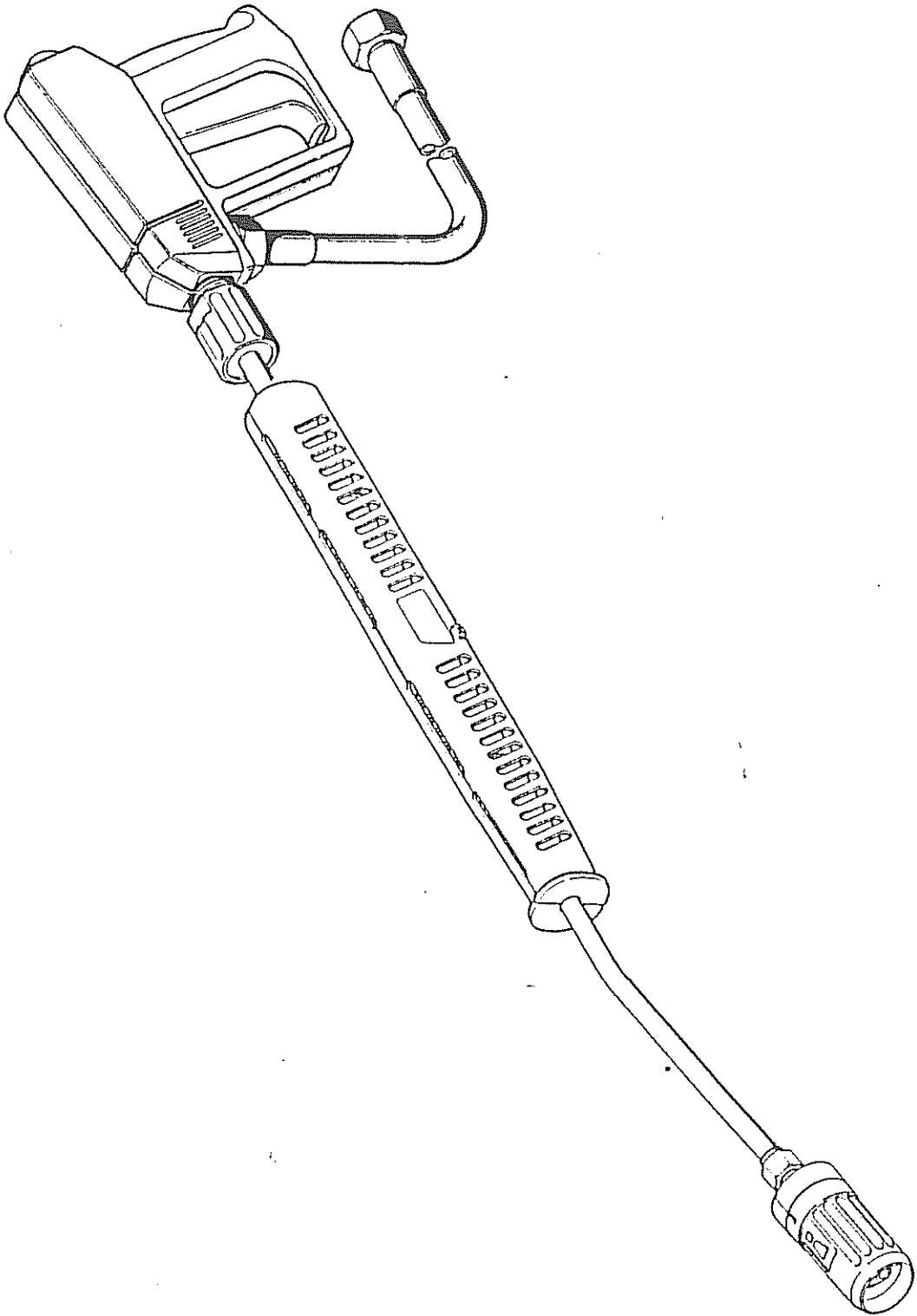


Pos.	Benennung Item Description Pos. Designation	Teile-Nr. Part-No. No. piece	Stück Qty. Nbr.
0	Motor 7,5 kW/ Motor/ Moteur	6.611-461.0	1
20	W.dichttring A 35x52/ Rotary Shaft Seal/ Rague A Levres Res.	7.367-009.0	1
21	Kegelrollenlager 41/ Taper Roller Bearing/ Palier Con.a Roul.	6.401-113.0	1
22	Taumeischaibe/ Swash Plate/ Disque de Mutation	5.120-199.0	1
23	Scheibe R9/ Disk/ Disque	7.312-261.0	1
24	Zyl-Schr.is. M 8x20/ Cheese Head Screw/ Vis A Tete Cylindr.	7.306-041.0	1

 **KÄRCHER**

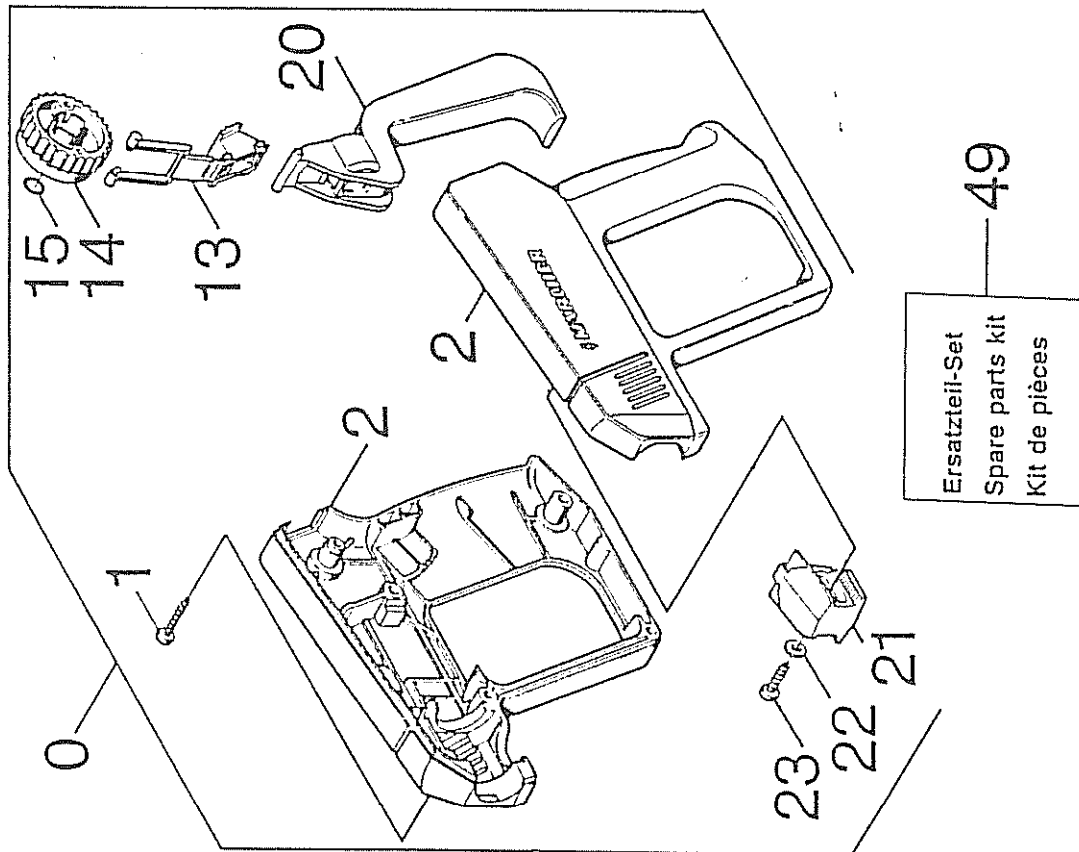
A 4

HD 1590



4.775-04.01.338

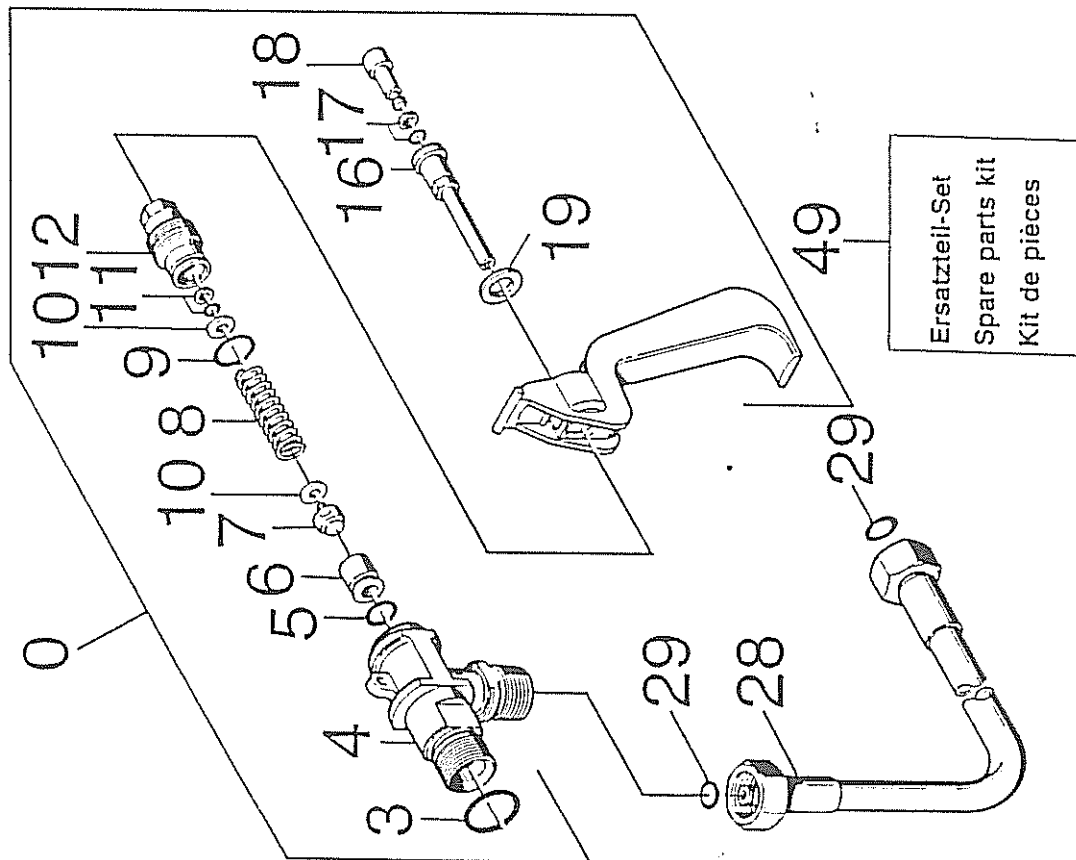
Pos.	Benennung Item Description Pos. Designation	Teile-Nr. Part-No. No. piece	Stück Qty. Nbr.
0	Pistole-Ser./ Trigger Gun/ Poignee-Pistolet	4.775-026.0	1
1	Schraube 4,2x22/ Screw / Vis	6.303-024.0	8
2	Griffpaar/ Grip Pair/ Paire de Poignees	5.321-174.0	1
13	Formteil/ Preform/ Preforme	5.030-283.0	1
14	Handrad/ Handwheel/ Roue A Main	5.322-006.0	1
15	O-Ring 6,07x1,78/ O-Ring/ Joint Torique	6.362-176.0	1
20	Hebel/ Lever/ Levier	5.481-039.0	1
21	Formteil/ Preform/ Preforme	5.030-459.0	1
22	Scheibe A 4,3/ Disk/ Disque	7.312-001.0	1
23	Schraube 4,2x16/ Screw / Vis	6.303-025.0	1
49	Ersatzteil-Set siehe Bildtafel E16/ Spare Parts Kit see Board E16/ Kit de Pieces voir Tableau E16	2.883-014.0	1



Gruppe 4: Zubehör
 Group 4: Accessories
 Groupe 4: Accessoires

C 4

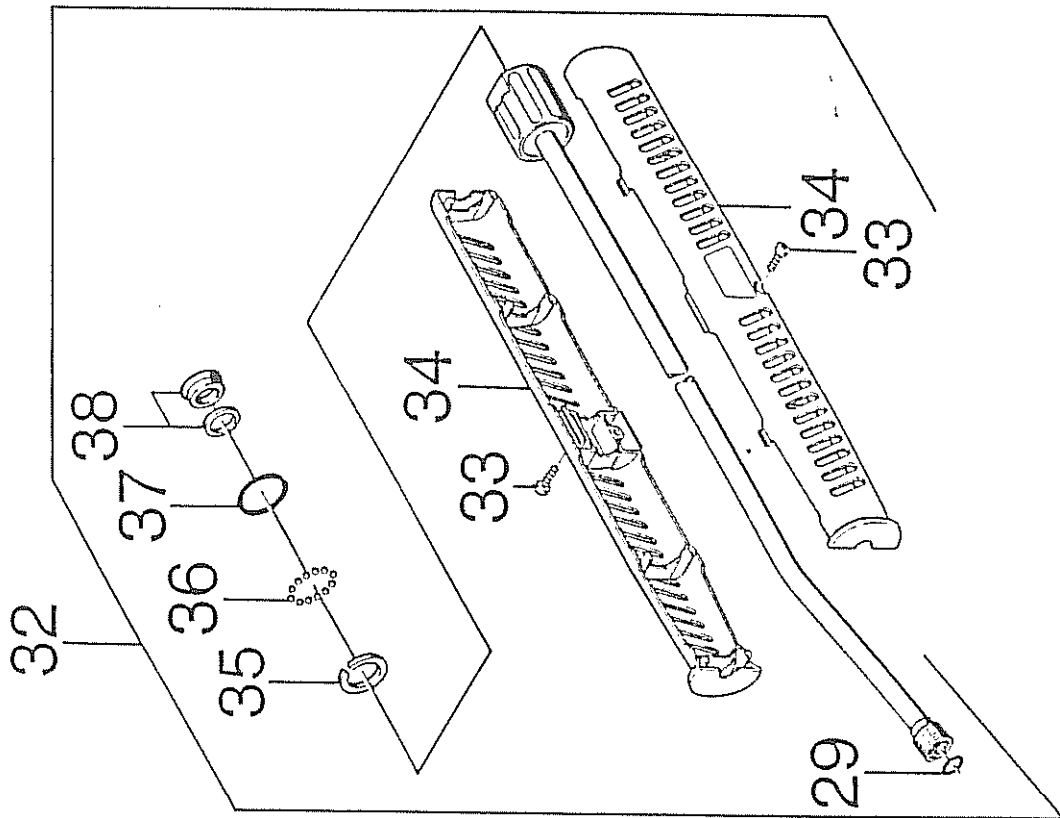
HD 1590

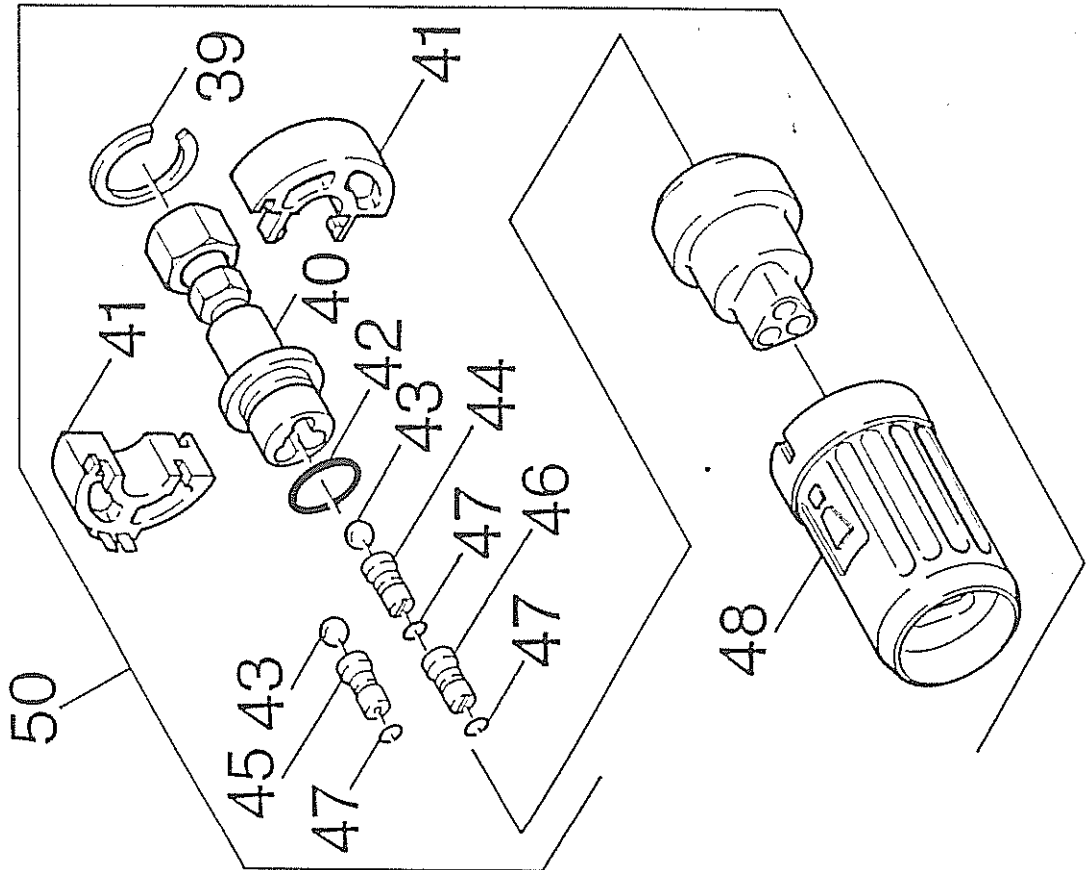


Pos.	Benennung Item Description Pos. Designation	Teile-Nr. Part-No. No. piece	Stück Qty. Mbr.
0	Pistole-Ser./ Trigger Gun/ Poignee-Pistolet	4.775-026.0	1
3	O-Ring 17,12 X2,62/ O-Ring/ Joint Torique	6.362-496.0	1
4	Knotenstueck/ Strut Att. Fitting/ Ferrure Nodele	5.427-079.0	1
5	O-Ring 7,59x2,62/ O-Ring/ Joint Torique	6.362-479.0	1
6	Huelse/ Pod/ Douille	5.110-348.0	1
7	Ventilsitz/ Valve Seat/ Siege de Soupape	4.581-049.0	1
8	Schraubenfeder/ Coil Spring/ Ressort A Boudin	5.332-140.0	1
9	O-Ring 12,42x1,78/ O-Ring/ Joint Torique	6.362-478.0	1
10	Scheibe/ Disk/ Disque	5.115-260.0	2
11	O-Ring Kpl./1st.-R./ O-Ring Compl./ Joint Torique Compl	6.362-468.0	1
12	Formschraube/ Special Screw/ Vis de Forme	5.305-110.0	1
16	Stange/ Rod/ Perche	5.107-062.0	1
17	O-Ring Kompl./ O-Ring Compl./ Joint Torique Compl	6.362-477.0	1
18	Kolben/ Piston/ Piston	5.553-118.0	1
19	Scheibe/ Disk/ Disque	5.115-227.0	1
28	Hd-Schlauch NW 8,20m/ Hp-Hose/ Tuyau Souple A Hp	6.388-071.0	1
29	O-Ring-Set (5 Stück)/ O-Ring Set (5 Pieces)/ Jeu de 5 Joints Toriques	2.880-296.0	1
49	Ersatzteil-Set siehe Bildtafel E16/ Spare Parts Kit see Board E16/ Kit de Pieces voir Tableau E16	2.883-014.0	1



Pos. Benennung Item Description Pos. Designation	Teile-Nr. Part-No. No. piece	Stück Qty. Nbr.
29 O-Ring-Set (5 Stück)/ O-Ring Set (5 Pieces)/ Jeu de 5 Joints Toriques	2.880-296.0	1
32 Strahlrohr/ Spray Lance/ Lance D'incendie	4.760-101.0	1
33 Schraube 4,2x16/ Screw 4,2 X 16/ Vis 4,2 X 16	6.103-025.0	2
34 Griff/ Handle/ Poignee	5.321-150.0	2
35 O-Ring 14x1,78/ O-Ring/ Joint Torique	6.362-529.0	1
36 Kugel O 4/ Ball/ Boule	7.401-921.0	12
37 O-Ring 17x1,5/ O-Ring/ Joint Torique	6.362-524.0	1
38 Mut-Ring Kpl./ Grooved Ring/ Joint En U A Levres	6.362-532.0	1





Pos.	Benennung Item Description Pos. Designation	Teile-Nr. Part-No. No. piece	Stück Qty. Nbr.
39	S-Ring 28x1,2/ Sealing Ring/ Circclip	7.343-151.0	1
40	Verschraubungsteil/ Screw Fitting/ Raccord Visse	4.401-049.0	1
41	ET-Sec Formteile/ Spare Parts Kit Preform/ Kit de Pieces Preformes	2.883-102.0	1
42	O-Ring 17,0 X 2,0/ O-Ring/ Joint Torique	6.362-580.0	1
43	Kugel D 6,35/ Ball/ Boule	7.401-929.0	2
44	Flachstr.duese 4025/ Nozzle Mouthpiece/ Nez de Buse	6.415-535.0	1
45	Vollstr.duese 00082/ Nozzle Mouthpiece/ Nez de Buse	6.415-560.0	1
46	Flachstr.duese25082/ Nozzle Mouthpiece/ Nez de Buse	6.415-558.0	1
47	O-Ring 5,0 X 1,0/ O-Ring/ Joint Torique	6.362-661.0	3
48	Schutzteil/ Protection Part/ Piece de Protection	5.394-259.0	1
50	Dreifachduese 082/ Tripple Nozzle/ Trois duse avec jets	4.763-137.0	1

