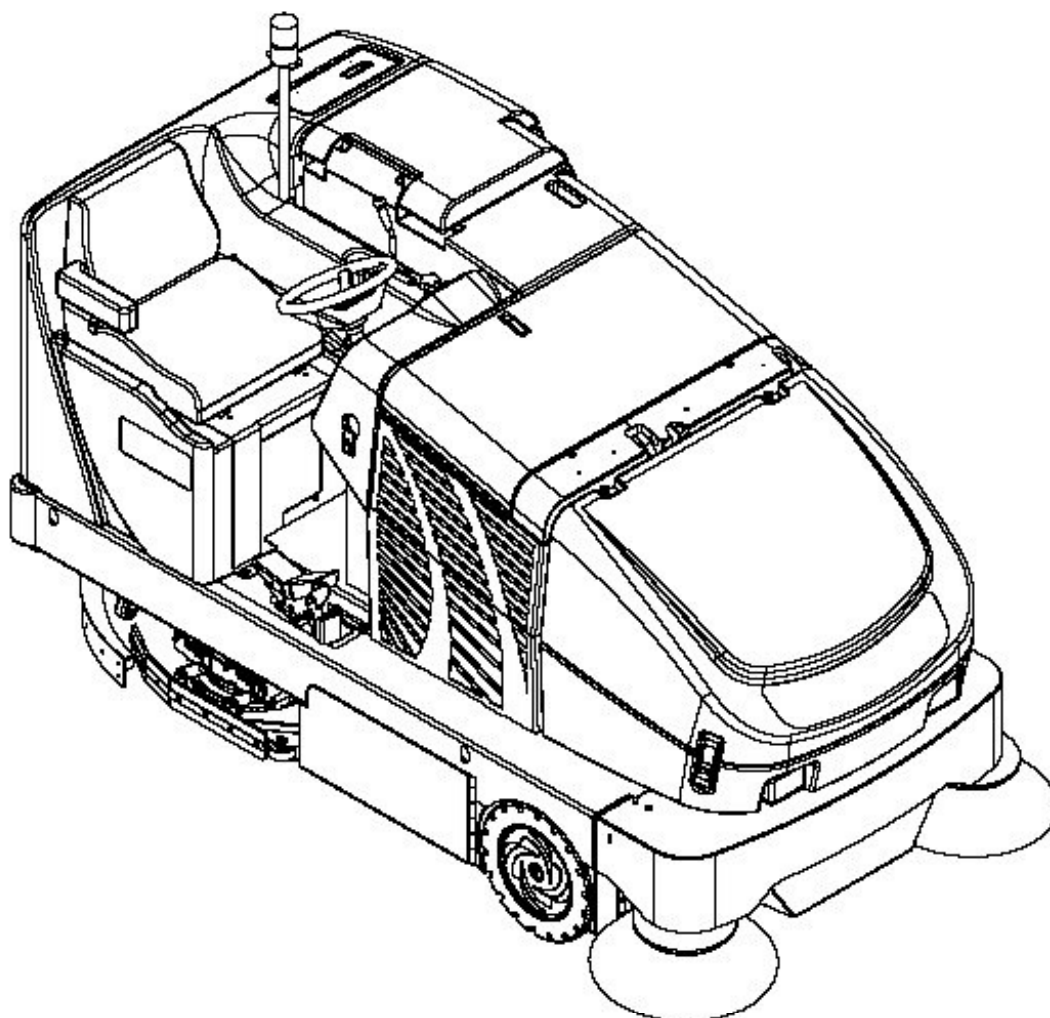


# PARTS LIST



2019.04.17

# TABLE OF CONTENTS

---

Chassis System - Main Parts .....	1
Chassis System Sub-Assemblies - Main Parts .....	4
Control System - Main Parts .....	6
Control System Sub-Assemblies - Main Parts .....	8
Decal System - Main Parts .....	11
Drive System - Main Parts .....	13
Dust Control System - Main Parts .....	15
Electrical System - Main Parts .....	17
Electrical system Sub-Assemblies - Main Parts .....	20
Front Wheel System - Main Parts .....	22
Hopper system - Main Parts .....	24
Hopper System Sub-Assemblies - Main Parts .....	27
Hydraulic System 1 - Main Parts .....	29
Hydraulic System 2 - Main Parts .....	31
Main Broom System - Main Parts .....	33
Main Broom System Sub-Assemblies - Main Parts .....	36
Recovery System - Main Parts .....	38
Recovery Tank Assembly CR 1100B - Main Parts .....	40
Recovery Tank Assembly CR 1200B - Main Parts .....	43
Scrub System - Main Parts .....	46
Scrub System Skirt-Assemblies - Main Parts .....	49
Side Broom System - Main Parts .....	51
Side Broom System Sub-Assembly - Main Parts .....	53
Solution System CR 1100B - Main Parts .....	56
Solution System CR 1200B - Main Parts .....	58
Solution System Sub-Assemblies - Main Parts .....	60
Squeegee System CR 1100B - Main Parts .....	62
Squeegee System CR 1200B - Main Parts .....	64
Squeegee Assembly - Main Parts .....	66
Steering System 1 (before april 2009) - Main Parts .....	68
Steering System 2 (before april 2009) - Main Parts .....	71
Steering system (after march 2009) - Main Parts .....	73
Wiring Diagram - 1 (Before SN1779197) - Main Parts .....	76
Wiring Diagram - 2 (Before SN1779197) - Main Parts .....	79
Wiring Diagram - 1 (After SN1779196) - Main Parts .....	82
Wiring Diagram - 2 (After SN1779196) - Main Parts .....	85
Wiring diagram-3 (After March 2009) - Main Parts .....	88
Optional kits and Accessories - Main Parts .....	90
Beacon Kit (CR 1200B) - Main Parts .....	92
Beacon Kit (CR 1100B) - Main Parts .....	94
Back-Up Alarm kit - Main Parts .....	96
Broom Selector Guide - Main Parts .....	98
Brush Selector Guide - Main Parts .....	100
List of Kits - Accessories .....	102

# TABLE OF CONTENTS

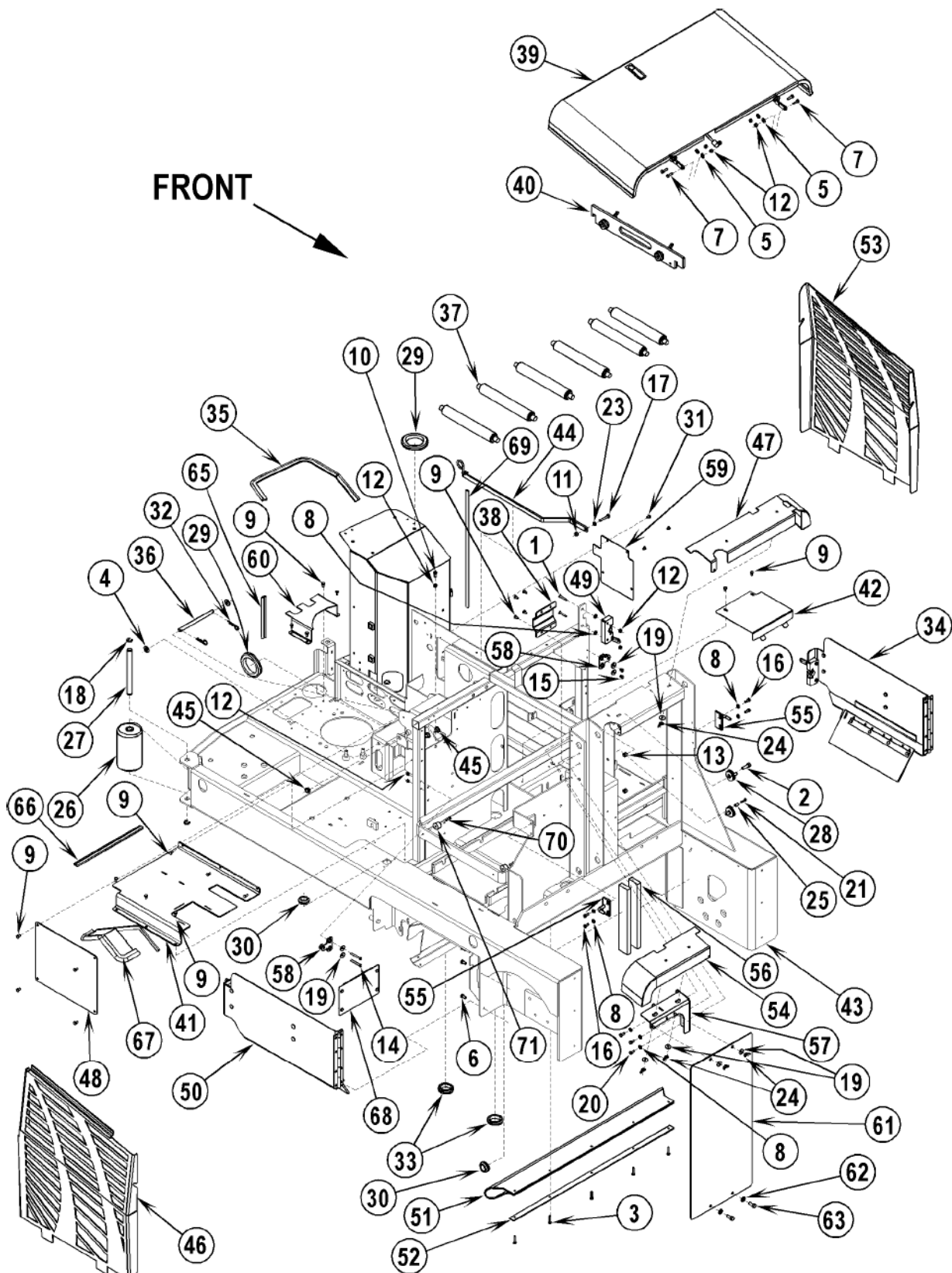
---

Back-up alarm kit - Accessories .....	104
Beacon Kit - Accessories .....	106
Beacon Kit (60 Gallon) - Accessories .....	108
Broom Guard kit - Accessories .....	110
Cleanout Kit - Accessories .....	112
Curb Light Kit - Accessories .....	114
Fire extinguisher kit (Battery models) - Accessories .....	116
High Durability Rear Wheel - Accessories .....	118
Hopper Filter Kit - Accessories .....	120
Temperature Switch Kit - Accessories .....	122
Overhead Guard kit - Accessories .....	124
Pre-Filter Grid kit - Accessories .....	126
Recovery inlet seal kit - Accessories .....	128
Seat kit, Battery models - Accessories .....	130
Seat belt kit - Accessories .....	132
Solution Fill Shutoff Kit (OBSOLETE) - Accessories .....	134
Solution Fill Shutoff Kit - Accessories .....	136
Solution Fill Shutoff Kit (60 Gallon) - Accessories .....	138
Tower Bumper kit - Accessories .....	140
Under hood light kits - Accessories .....	142
Vacuum Wand Kit - Accessories .....	144
Chemical injection kit-12VDC (control box assy) - Accessories .....	146
Chemical injection kit-12VDC (pump assy) - Accessories .....	148
Chemical injection kit-36VDC (control box assy) - Accessories .....	150
Chemical injection kit-36VDC (pump assy) - Accessories .....	153
56305519 - Back-up Alarm Kit .....	155
56305517 - Hopper Filter Switch Kit .....	157
56305482 - Beacon Kit 48" and 54" models .....	159
56305881 - Beacon Kit 43" models .....	161
56305585 - Solution Fill Shutoff Kit .....	163
56305493 - Tower Bumper Kit .....	165
56305530 - Vacuum Wand Kit for CR 1200, 1400 .....	167
56305530 - Vacuum Wand Kit for CR 1100 .....	169
56305530 - Vacuum Wand Kit for CR 1100 .....	171
56305530 - Vacuum Wand Kit .....	173
56305530 - Vacuum Wand Kit .....	175
56305637 / 56303873 - Overhead Guard Kits .....	177
56305641 - Curb Light Kit .....	179
56305494 - Left Side / 56305495 - Right Side Broom Guard Kit .....	181
56305611 - W/O Switch / 56303381 - De Luxe Kit with Switch .....	183
56305794 - Pre-filter Grid Kit .....	185
56303362 - Trouble Lamp Kit .....	187
56303431 - Fire Extinguisher Kit .....	189
56303445 - Main Broom Belt Kit .....	191

# TABLE OF CONTENTS

---

56303445 - Main Broom Belt Kit .....	193
56305978 - Liquid Level Switch .....	195
56303572 - Cleanout Kit .....	197
56303579 - OH Guard Beacon Kit .....	199
56307221 - Recovery Inlet Seal Kit .....	201
56306145 - Chemical Injection Kit 36VDC.....	203
56306145 - Chemical Injection Kit 36VDC.....	205
56306145 - Chemical Injection Kit 36VDC.....	207
56306145 - Chemical Injection Kit 36VDC.....	209
56508773 Shaker Motor Kit .....	211
56380500 - SBW Steering Kit .....	213



Resource notes:

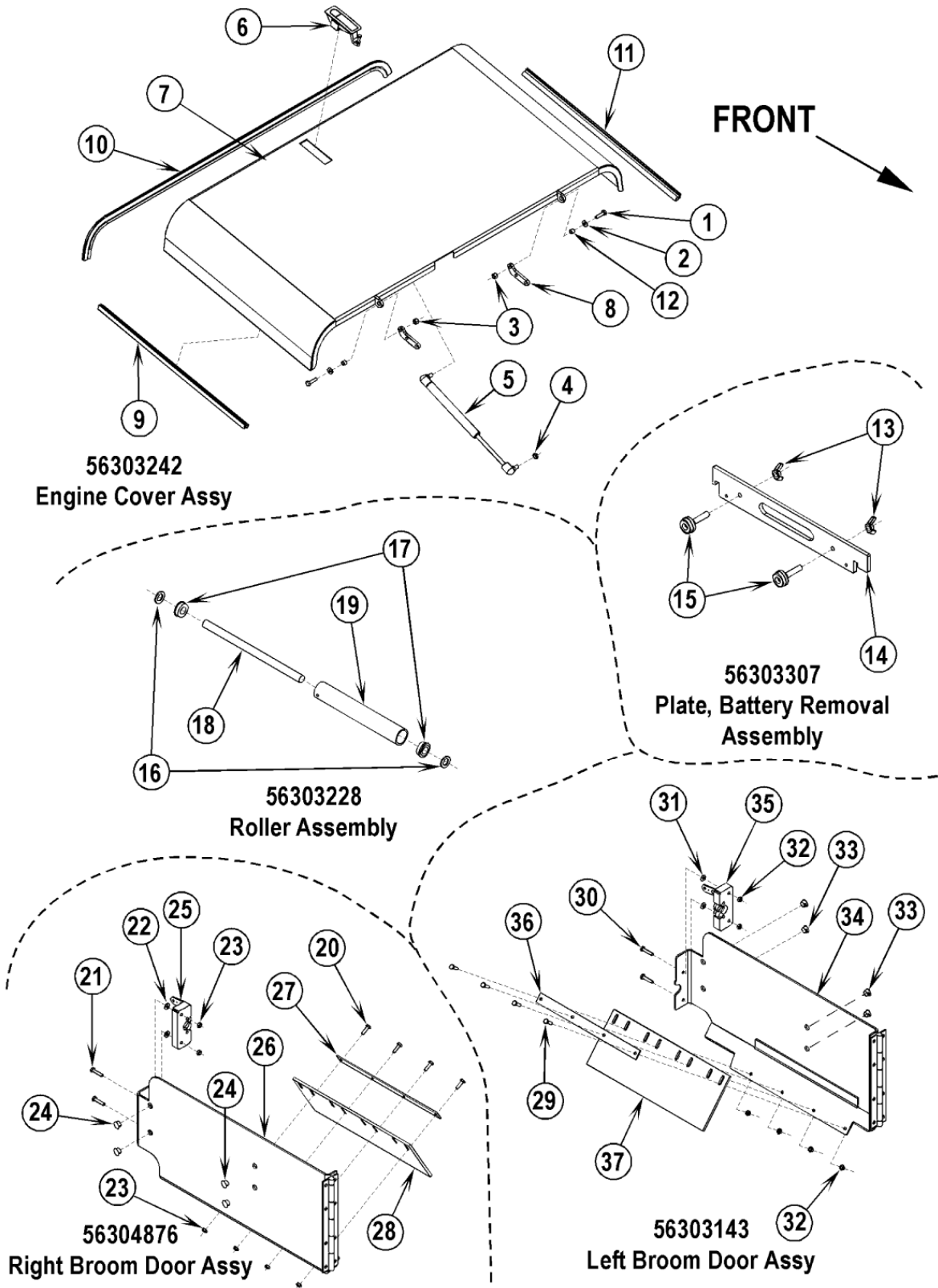
NOTE 1: Pos. No. 70 + 71 - Nilfisk models only, cannot be used on machines before SN 1823633. Items 70 and 71 are the components used in Battery Spacer Kit 56303559.

Pos.	Artikel-Nr.	Menge	Variante	Notes
01	56002786	2	Schraube 1/4-20 X 1.5 0	
02	56002095	2	Schraube 3/8-16 X 1.50	[1]
03	56001878	5	SCR HEX HD 1/4-20 X 1.25	
04	56001879	2	U-SCHEIBEN	
05	56001906	4	WSH FLT CUT 1/4	
06	56002929	6	SCR HEX HD LOC 5/16-18X	
07	56002093	4	SCR HEX HD 1/4-20 X 1.00	
08	56002098	9	Scheibe	
09	56009033	20	Schraube 1/4-20X1 2HP 5	
10	56002155	2	SCR HEX 1/4-20 X .75	
11	56002701	1	MUTTER 5-16-18 HEX JAM	
12	56002708	10	Stopmutter 1/4-20	
13	56002769	2	Stopmutter 3/8-16	
14	56001874	2	Sechskantschraube 1/4	
15	56002933	2	LOC SCREW 1/4-20 X 3/8	
16	56002948	4	Schraube 1/4-20 X .75	
17	56003005	1	Schraube 5/16 18x 1.75	
18	56003266	4	Sicherungsring	
19	56009002	10	UNTERLEGSCHIEBE, FLACH	
20	56009018	3	SCHRAUBE 1/4-20X3/4 HP5	
21	56009038	2	SCRHEX THD FORM 10-24 X .88	
23	56009086	1	NUT, HEX JAM 5/16-18	
24	56003089	6	Flügelmutter 1/4-20	
25	56200239	2	BUSHING .20X.37X.62HR2B	
26	56409335	2	BUMPER ROLLER	
27	56409336	2	PIN	
28	56416546	2	SHIELDED PULLEY	
29	56418198	2	Dichtscheibe	[2]
30	56418199	2	GROMMET	[2]
31	56003603	4	Schraube 1/4-2 OX.38	
32	56003222	2	"Splint 0.125" x 0.5"	
33	56056215	2	GROMMET EOOO59	
34	56303143	1	Tür, links	
35	56303461	1	TRIM-SEAL	[2]
36	56303205	1	PIN ACTUATOR MOUNT	
37	56303228	6	ROLLER ASSEMBLY	
38	56303229	1	GUARD HYDRAULIC HOSES	[2]
39	56303242	1	BATTERY COVER ASSEMBLY	[2]
40	56303307	1	BATTERY REMOVAL PLATE ASSEMBLY	[2]
41	56303312	1	FLOOR WELDMENT OPERATOR	[2]
42	56303315	1	COVER BROOM MOTOR	[2]
43	56303319	1	WELDMENT CHASSIS	[3]
44	56304473	1	PROP ROD LINKAGE WELDMENT	
45	56304519	3	Lager, Fl .625x.500x.375	
46	56305314	1	PANEL RIGHT EUROPEAN DXF	
47	56304692	1	TOP COSMETIC COVER WELDMENT	
48	56304787	1	COVER CONTROL BOX	[4]
49	56304827	1	LATCH RH	
50	56304876	1	Besenträger rechts	
51	56304926	1	Abweisschiene	
52	56304927	1	Halteschiene	
53	56304958	1	PANEL LEFT	
54	56304968	1	TOP COVER WELDMENT	
55	56305095	2	LATCH WELDMENT	
56	56305197	2	Dichtung	
57	56305281	1	WELDMENT COVER MOUNT	[4]
58	56305331	2	WELDMENT PANEL LOCK	
59	56307168	1	PANEL BROOM LIFT ADJUST	
60	56303380	1	GUARD STEERING CHAIN	[2]

Pos.	Artikel-Nr.	Menge	Variante	Notes
61	56303384	1	COVER RUBBER	[2]
62	56002063	2	"U-Scheibe 3/8""	
63	56002947	2	SCR HEX HD LOC 3/8-18 X 1	
65	56303462	1	GASKET	[2]
66	56303463	1	GASKET	[2]
67	56303453	1	GASKET	[5]
67	56303452	1	GASKET BULB	[5]
67	56303454	1	SHIELD ASSEMBLY	[2]
67	56303449	1	SHIELD	[5]
67	56009019	2	Schraube 1/4-20x.38	[6]
68	56303465	1	GASKET	[5]
68	56009033	4	Schraube 1/4-20X1 2HP 5	[6]
68	56303468	1	COVER	[5]
68	56303494	1	COVER ASSEMBLY	[2]
69	56303465	1	GASKET	[2]
70	56009043	2	SCR PAN PHIL THD FORM10-24X.75	[7]
71	56303558	2	BUMPER POLYETHYLENE	[7]

## Part Notes:

- [1] - EXPIRED USE 56002747
- [2] - SEE PI 2017-002
- [3] - see TSBUS2005-894  
NO LONGER AVAILABLE
- [4] - NO LONGER AVAILABLE
- [5] - Not shown  
SEE PI 2017-002
- [6] - Not shown
- [7] - NOTE 1

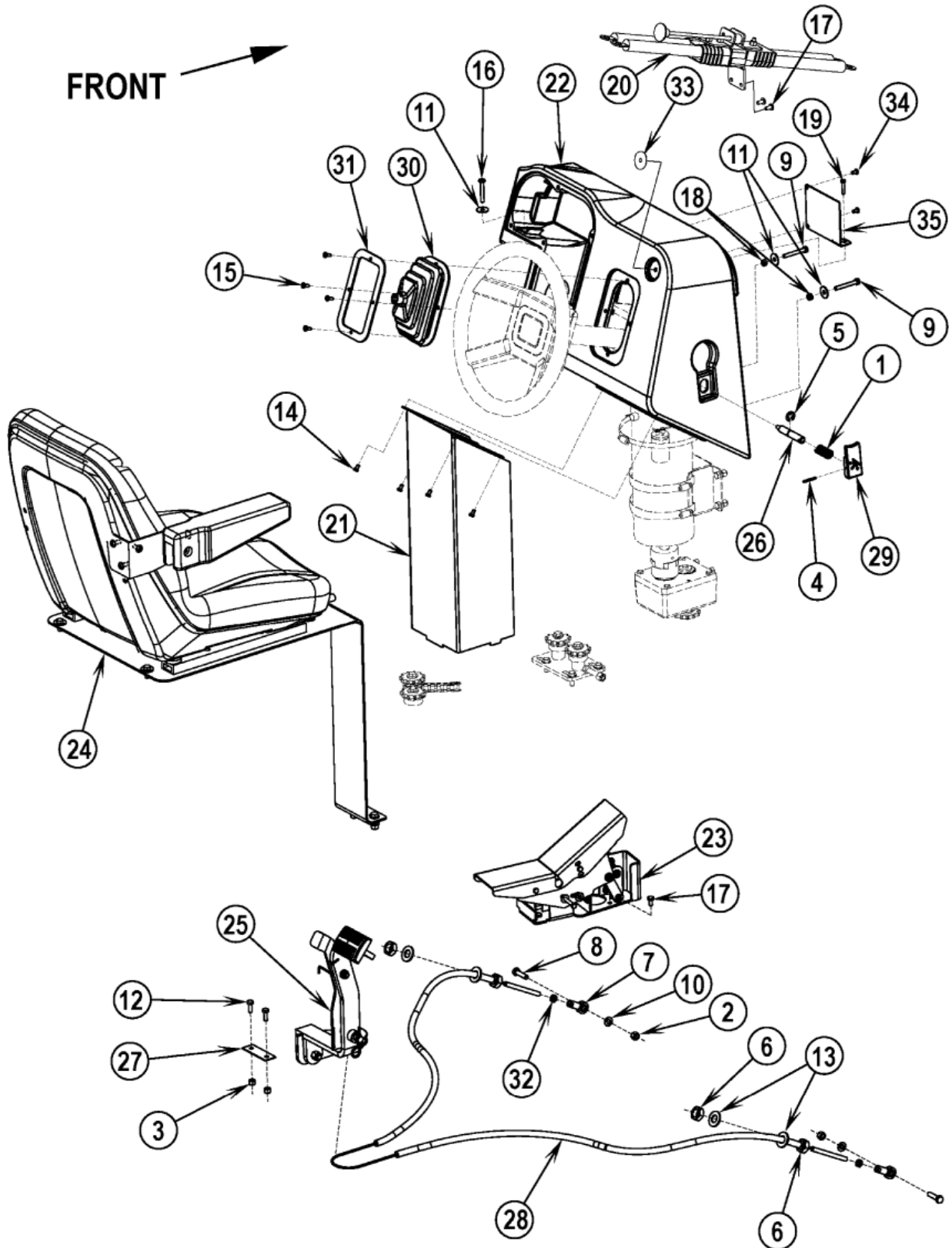




Pos.	Artikel-Nr.	Menge	Variante	Notes
00	56303242	1	BATTERY COVER ASSEMBLY	[1]
01	56002093	2	SCR HEX HD 1/4-20 X 1.00	
02	56002098	2	Scheibe	
03	56002708	2	Stopmutter 1/4-20	
04	56002826	2	NUT HEX NYLOC THIN 5/16-1	
05	56385238	1	Zylinderhaube f.BHS7014	
06	56418471	1	Verschluss zu CR 1300	
07	56303241	1	Batterieabdeckung	[2]
08	56304690	2	Schanier	
09	56305268	1	Verkleidung	
10	56305269	1	Verkleidung	
11	56305502	1	Verkleidung	
12	56330027	2	BUSHING	
12	56303307	1	BATTERY REMOVAL PLATE ASSEMBLY	[3]
13	56003289	2	NUT WING 1 1/2-13	
14	56303156	1	PLATE BATTERY REMOVAL	
15	56449221	2	DAEMPFER	
15	56303228	1	ROLLER ASSEMBLY	[4]
16	56009022	2	Scheibe-U	
17	56362352	2	LAGER	
18	56303227	1	BAR	
19	56304876	1	Besenträger rechts	[5]
19	56303226	1	ROLLER	
20	56001821	4	SCR HEX HD 1/4-20 X .88	
21	56001878	2	SCR HEX HD 1/4-20 X 1.25	
22	56002098	2	Scheibe	
23	56002840	6	Nut 1/4 20	
24	56418888	4	Pfropfen	
25	56304827	1	LATCH RH	
26	56304877	1	RIGHT BROOM DOOR WELDMENT	
27	56304881	1	Befestigungsschiene	
28	56304882	1	Saugfussgummi	
28	56303143	1	Tür, links	[6]
29	56001821	4	SCR HEX HD 1/4-20 X .88	
30	56001878	2	SCR HEX HD 1/4-20 X 1.25	
31	56002098	2	Scheibe	
32	56002840	6	Nut 1/4 20	
33	56418888	4	Pfropfen	
34	56303150	1	LEFT BROOM DOOR WELDMENT	
35	56304826	1	LATCH LH	
36	56304881	1	Befestigungsschiene	
37	56304882	1	Saugfussgummi	

## Part Notes:

- [1] - items 1-12  
SEE PI 2017-002
- [2] - SEE PI 2017-002
- [3] - items 13-15  
SEE PI 2017-002
- [4] - items 16-19
- [5] - items 20-28
- [6] - items 29-37

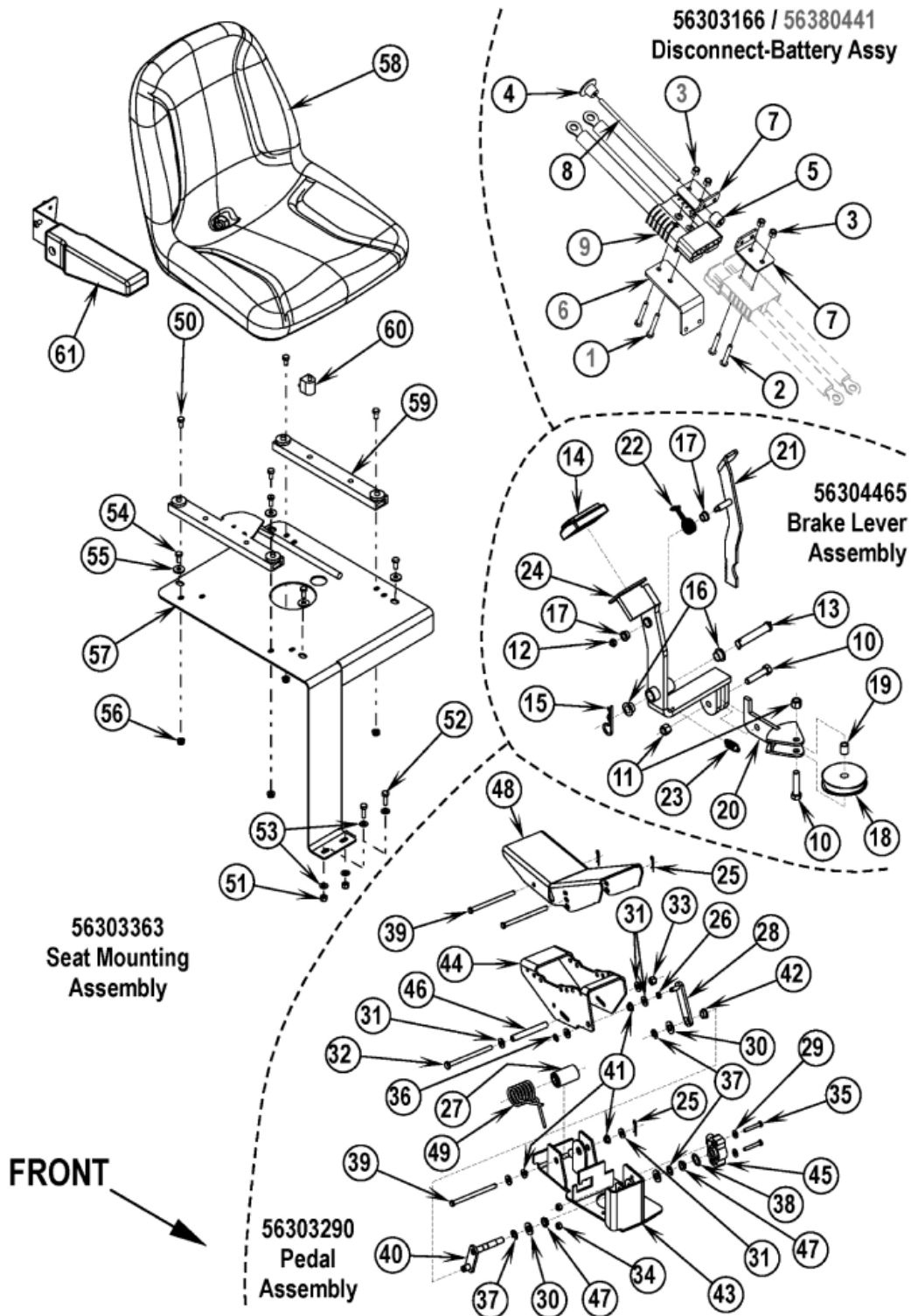


Pos.	Artikel-Nr.	Menge	Variante	Notes
01	56304531	1	SPRING COMPRESSION	
02	56002701	2	MUTTER 5-16-18 HEX JAM	
03	56002708	2	Stopmutter 1/4-20	
04	56002763	1	PIN SPK 12X1,12	
05	56003264	1	"Benzingring 0,5""	
06	56002861	4	Mutter	
07	56418478	2	ROD END .31	
08	56001834	2	Schraube 5/16-18 x 1,25	
09	56001874	2	Sechskantschraube 1/4	
10	56001939	2	Flachdichtung 5/16	
11	56009002	3	UNTERLEGSCHIEBE, FLACH	
12	56002155	2	SCR HEX 1/4-20 X .75	
13	56002319	4	WSH FLT SAE 9/16	
14	56009012	4	Schraube 10-24 x 3/8Siehe 56009039	
15	56002831	4	Schraube PAN PHIL-BLK	
16	56002108	1	Schraube PAN HD PHIL 1/4-	
17	56009033	5	Schraube 1/4-20X1 2HP 5	
18	56002840	2	Nut 1/4 20	
19	56009176	1	SCR HEX THDFORM 10-24 X 1.00	
20	56380441	1	DISCONNECT BATTERY ASSEMBLY	[1]
20	56303166	1	Trennschalter/Batterie	[2]
21	56303177	1	COVER STEERING SHAFT	[3]
22	56303225	1	CONSOLE ASSY BATTERY CAPTOR	[2]
22	56380437	1	CONSOLE ASSY BATTERY CAPTOR	[1]
23	56303290	1	Pedal-Einheit	[4]
24	56303363	1	SEAT MOUNTING ASSEMBLY	[3]
25	56304465	1	Bremspedal komplett	
26	56304530	1	Pin	
27	56304543	1	CATCH BRAKE LOCK	
28	56304599	1	CABLE PULL BRAKE	
29	56304774	1	Einstellhebel	
30	56304812	1	BOOT STEERING	
31	56304813	1	STEERING BOOT RETAINER	
32	56001884	2	Mutter 5/16 24	
33	56015257	1	DECAL EMERGENCY DISCONNECT	[5]
34	56009030	2	Schraube 10-2	
35	56303467	1	COVER	[3]

## Part Notes:

- [1] - Only used after March 2009
- [2] - Only used before April 2009
- [3] - SEE PI 2017-002
- [4] - STOCK COVERS GUARANTEE
- [5] - SEE-PI-2017-002

Only used before April 2009



## Resource notes:

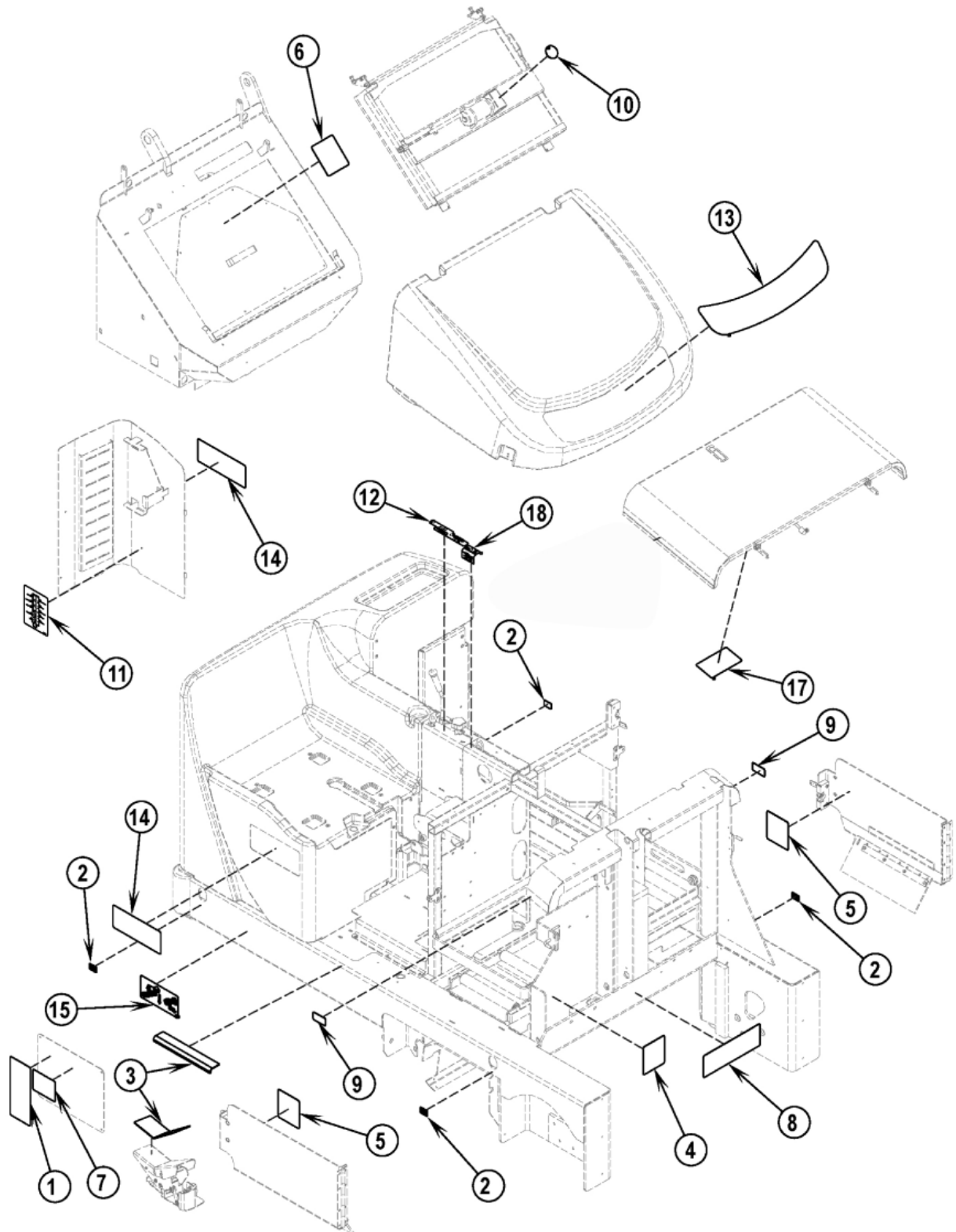
NOTE 1: Seat 56409021 has been obsoleted and replaced with 7-69-00008. If you order the old seat 56409021 you will receive Seat Assy Kit 56109291 in it/Es place which includes items (58-61). NOTE 2: Only used after March 2009. NOTE 3: Only used before April 2009. 56303166 1 Disconnect Battery Assembly (items 1-9) 56304465 1 Brake Lever Assembly (items 10-24) 56303290 1 Pedal Assembly (items 25-49) 56303363 1 Seat Mounting Assembly (items 50-61)

Pos.	Artikel-Nr.	Menge	Variante	Notes
00	56304465	1	Bremspedal komplett	[1]
00	56303290	1	Pedal-Einheit	[2]
00	56380441	1	DISCONNECT BATTERY ASSEMBLY	[3]
00	56303363	1	SEAT MOUNTING ASSEMBLY	[4]
00	56303166	1	Trennschalter/Batterie	[5]
01	56001967	1	Schraube HEX HD 1/4-20 x	[6]
01	56001874	2	Sechskantschraube 1/4	
02	56002108	2	Schraube PAN HD PHIL 1/4-	
03	56002708	4	Stopmutter 1/4-20	[7]
04	56478605	1	Knob 1.37 x 1/4-28	
05	56478660	1	BLOCK RE436F	
06	56303168	1	MOUNT BATTERY DISCONNECT	
07	56303169	2	Halter	
08	56303170	1	ROD BATTERY DISCONNECT	
09	56303218	1	Stecker ASM	
09	56303167	1	Stecker SB350 grau	
10	56002684	2	SCR HEX HD 3/8-16x1,75	
11	56002769	2	Stopmutter 3/8-16	
12	56002840	1	Nut 1/4 20	
13	56003207	1	CLEVIS PIN	
14	56365002	1	Pad, Gummi	
15	56003222	1	"Splint 0.125" x 0.5"	
16	56304519	2	Lager, FI .625x.500x.375	
17	56304554	2	BEARING FLANGE .500X.375X.313	
18	56304557	1	PULLEY 3.00 DIAMETER	[8]
19	56304558	1	BEARING	
20	56304562	1	PULLEY BRACKET WELDMENT	
21	56304902	1	Feststellbremse	
22	56304972	1	Drehfeder	
23	56305072	1	Zugfeder	
24	56305472	1	BRAKE LEVER WELDMENT	
25	56003332	3	Pin, Cot Hair .042x.18	
26	56328758	1	BUSHING .25X.37X.13HC228H	
27	56409378	1	SPACER,NYLON/ABSTANDS-	
28	56409610	1	Hebel	
29	56001954	2	WSH FLT SAE 10	
30	56002063	3	"U-Scheibe 3/8"	
31	56002098	6	Scheibe	
32	56002986	1	Schraube HEX HD 1/4-20x3.	
33	56002840	1	Nut 1/4 20	
34	56002832	2	6-Kt Mutter Nylon	
35	56003687	2	SCR HEX 10-24 X 1.25	
36	56003268	1	Ring	
37	56003269	3	RING, RET EXT TYP E REINF	
38	56479764	1	O-RING -113 NBR 70 RE484S	
39	56003669	3	PIN-CLEVIS-.25X3.5	
40	56303283	1	LINK WELDMENT	
41	56303284	3	BEARING FL .375X.250X.188	
42	56303285	2	Lager, FI .500x.375x.250	
43	56303286	1	PEDAL BASE WELDMENT	[9]
44	56303288	1	PEDAL PIVOT	[10]
45	56303313	1	Sensor f. Fahrpedal	
46	56303318	1	BUSHING	
47	56304518	1	Lager, FI .500x.375x.188	
48	56304777	1	PEDAL	[9]
49	56314037	1	Torsionsfeder	
50	56002035	4	002721X HD 5/16-18X.62	
51	56002856	2	"Mutter Nylon LOC 5/16"	
52	56002913	2	SCR HEX HD SS 5/16-18X1.0	

Pos.	Artikel-Nr.	Menge	Variante	Notes
53	56002938	4	WSH FLT SAE SS 5/16	
54	56002956	4	Schraube HEX LOC 5/16-18	
55	56009122	4	Unterlegscheibe	
56	56001806	4	NUT WHZ W/FLANGE 5/1-18	
57	56305115	1	PLATE SEAT MOUNT	
58	56109291	1	Fahrersitz	
58	7-69-00008	1	Sitz	[11]
59	56109300	1	SLIDE KIT NO STUDS	[12]
60	7-82-00050	1	Sitzschalter BR 1300 S	[13]
61	7-03-04250	1	Armlehne rechts	[12]

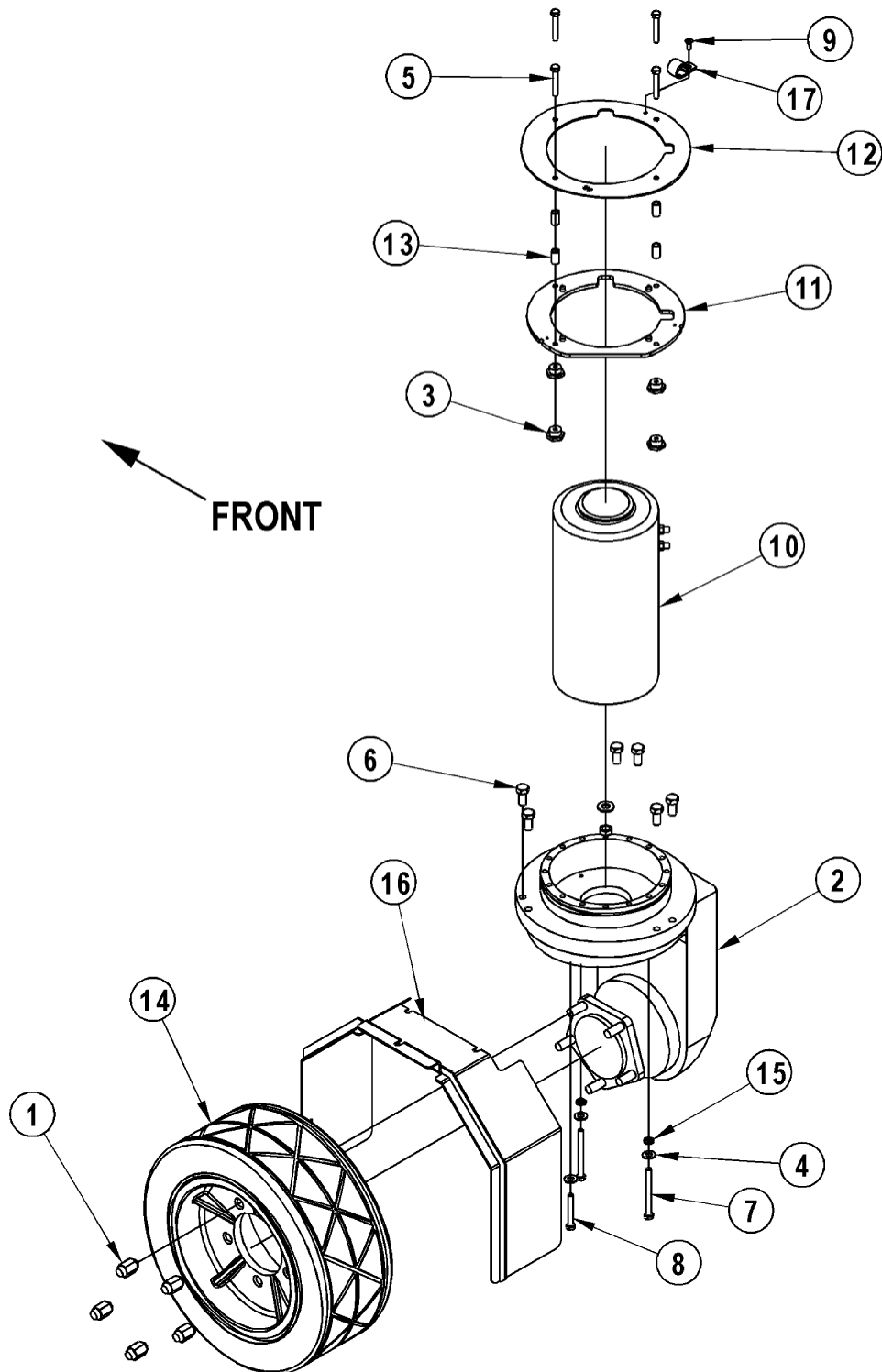
## Part Notes:

- [1] - items 10-24 - Not shown
- [2] - items 25-49 - Not shown  
STOCK COVERS GUARANTEE
- [3] - items 1, 3, 6, 9 - note 2 - Not shown
- [4] - items 50-61 - Not shown  
SEE PI 2017-002
- [5] - items 1-9 - note 3 - Not shown
- [6] - 56380441 only
- [7] - qty of 2 on 56380441
- [8] - SEE PI 2017-002
- [9] - EXPIRED NO REPLACEMENT
- [10] - EXPIRED ON 1/3/2019
- [11] - NOTE 1  
SEE TSB-FC-2015-040
- [12] - NOTE 1
- [13] - (S9) NOTE 1



Pos.	Artikel-Nr.	Menge	Variante	Notes
01	56014601	1	DECAL, CAUTION	
02	56015370	4	Decal, Tie Down	
03	56305606	2	Auflage für Pedal	
04	56015424	1	DECAL-WARNING HYDRAULIC	
05	56015425	2	Sicherheitsaufkleber	
06	56015426	1	DECAL WARNING FAN	
07	56015427	1	Aufkleber	
08	56015428	1	DECAL-WARNING-HOPPER	
09	56025496	2	DECAL CAUTION	
10	56030080	1	Aufkleber	
11	56015164	1	DECAL CONTACTOR LOCATION	
12	56015185	1	DECAL MAIN BROOM/SOLUTION	
13	56015191	1	Aufkleber Nilfisk	
14	56015200	2	DECAL CR1100	
14	56015201	2	Aufkleber CR 1200	
15	56015221	1	Aufkleber	
17	56015244	1	DECAL BATTERY WIRING	
18	56015245	1	DECAL HOPPER SAFETY SUPPORT	

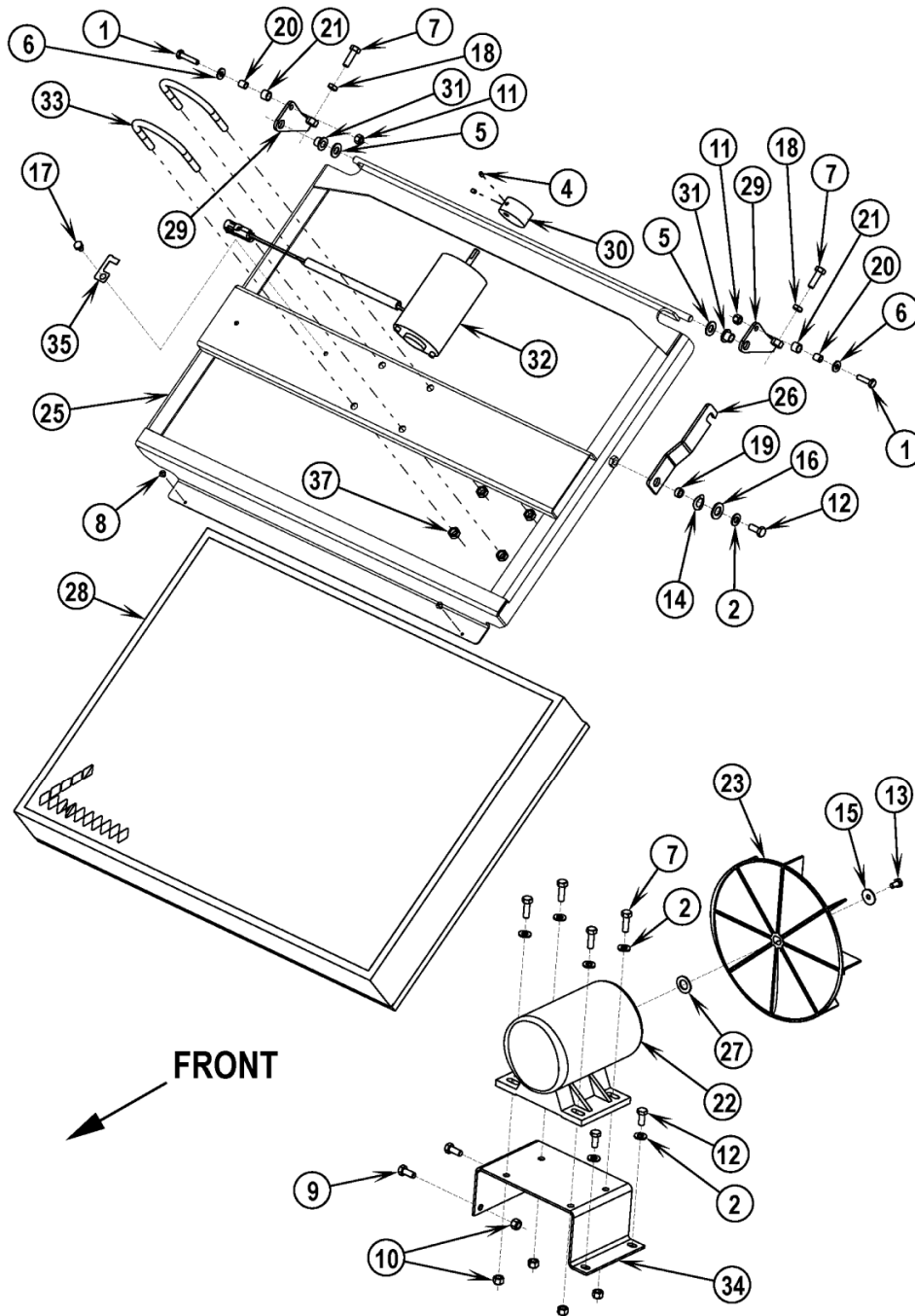




Pos.	Artikel-Nr.	Menge	Variante	Notes
1	56003384	5	Mutter	
2	56416024	1	Getriebe f. Antriebsrad	[1]
3	56416296	4	CLAMP STEERING	
4	56002063	3	"U-Scheibe 3/8""	
5	56002721	4	Schraube 5/1618x2.0	
6	56003382	6	SCR HEX M12X1.75X25MM	[2]
7	56003390	2	Schraube, HEXM8x1,25x90mm	
8	56003398	1	Schraube,HEX M8x1,25x60mm	
9	56009079	1	SCR FLTPHIL THDFORM	
10	56303033	1	Motor 36V/4HP	[3]
10	56409746	4	BRUSH SPRING	[3]
10	56002773	1	MUTTER 1/2-20	[3]
10	56303032	1	Antriebsmotor CR1200	[4]
10	56001879	1	U-SCHEIBEN	[3]
10	56303426	4	BRUSHES WHEEL DRIVE MOTOR	[3]
10	56416299	1	O-Ring	[3]
11	56303082	1	Führungsplatte	[5]
12	56303308	1	Abdeckhaube f. Ablauf	[5]
13	56303309	4	SPACER BUSHING	[5]
14	56303028	1	Hinterrad kpl.	[6]
14	56303029	1	HUB REAR	
14	56303595	1	Rad kpl. (Batterie)	[7]
14	56303560	1	WHEEL ASSY 6 3XGROOVE BATTERY	[6]
14	56380444	1	Rad CR 1200	
14	56304025	1	Vollgummirad 16,25x6	
14	56380444	1	Rad CR 1200	
14	56305996	1	TIRE 6 3X-GROOVE	
14	56303595	1	Rad kpl. (Batterie)	
15	56303497	2	SPACER	
16	56303502	1	Schmutzfänger	
17	56303651	1	CLAMP P CL-16	
17	56501001	1	OIL 90 GEAR LUBE. RE90	[8]

## Part Notes:

- [1] - STOCK COVERS GUARANTEE
- [2] - Machine outphased 2004
- [3] - Not shown
- [4] - EXPIRED NO REPLACEMENT
- [5] - SEE PI 2017-002
- [6] - Optional, not included
- [7] - Optional, not included - TSBUS2009-1038
- [8] - Not shown  
NON-SALEABLE ITEM



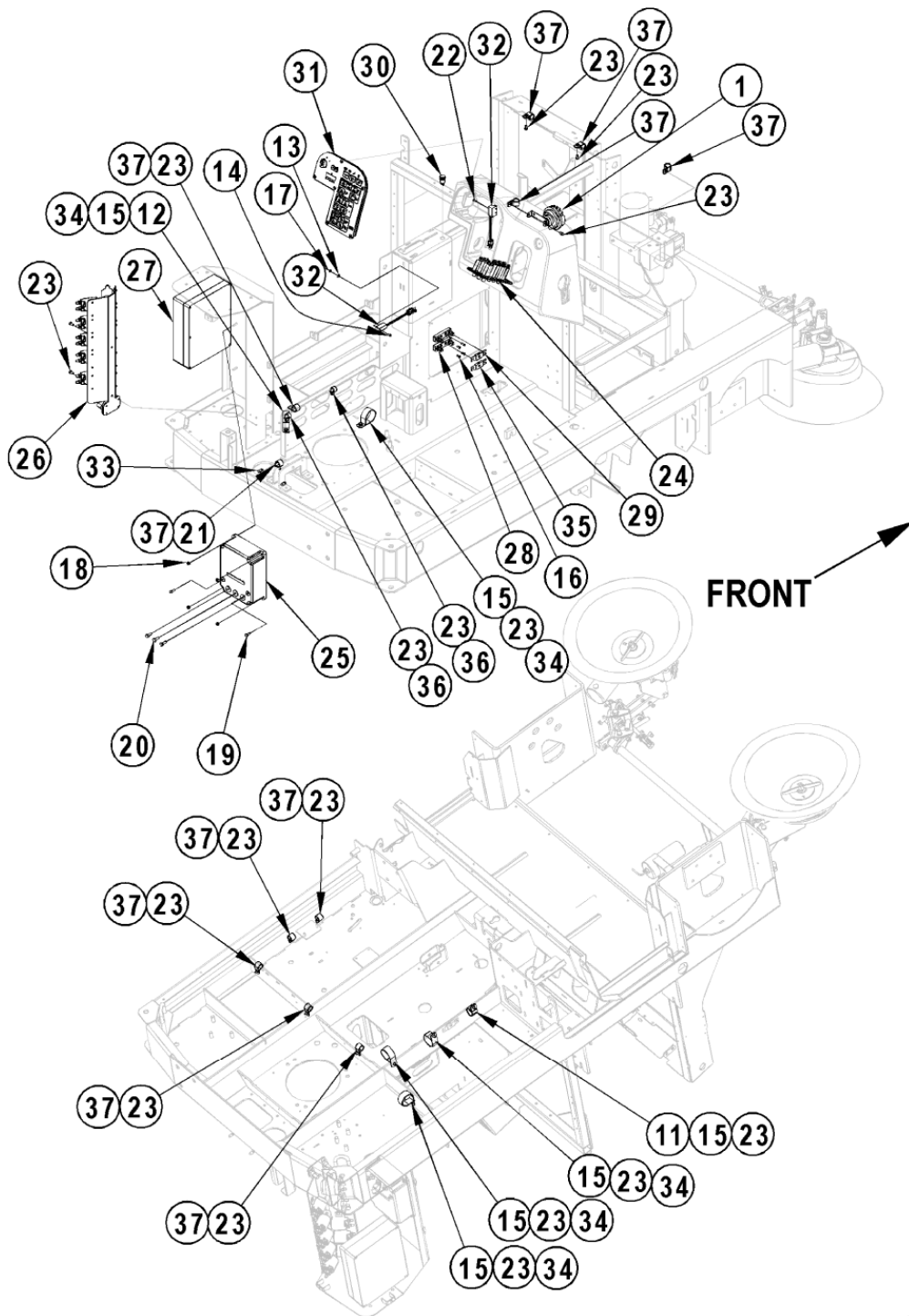
Resource notes:

NOTE 1: The configuration of Shaker Motor 56467307 has changed as of October 2008. It was previously a VonWeise brand motor and now is AMER. As of this change the U-Bolts securing the motor have also changed from 56468329 to 56508888. The following parts are no longer used; 56380446, 56416280, 56002001. If you need to replace any of the following parts (56380446, 56416280, 56468329, 56467307) please order a new style Shaker Motor 56467307, two U-Bolts 56508888 and four Nuts 56002841.

Pos.	Artikel-Nr.	Menge	Variante	Notes
01	56002093	2	SCR HEX HD 1/4-20 X 1.00	
02	56001939	7	Flachdichtung 5/16	
04	56009084	2	Madenschraube 10-24x3/16	
05	56002063	2	"U-Scheibe 3/8""	
06	56002098	2	Scheibe	
07	56002221	6	SCR HEX HD 5/16-18 X 1.00	
08	56002043	2	Schraube 10-24 x 38	
09	56002667	2	Schraube 5/16-18 X.75	
10	56002701	6	MUTTER 5-16-18 HEX JAM	
11	56002708	2	Stopmutter 1/4-20	
12	56002956	3	Schraube HEX LOC 5/16-18	
13	56003039	1	Schraube 1/4-20	
14	56009001	1	WASHER, BOWED .515	
15	56009002	1	UNTERLEGSCHIEBE, FLACH	
16	56009003	1	Unterlagsscheibe	
17	56009019	1	Schraube 1/4-20x.38	
18	56009086	2	NUT, HEX JAM 5/16-18	
19	56320595	1	BUECHSE	
20	56321532	2	BUSHING .25X.37X.40HC42C	
21	56370754	2	BEARING SLEEVE .379CV211KE0202	
22	56416020	1	Saugermotor f. SR 1600	[1]
22	56416595	1	SET OF 2 MOTOR BRUSHES	[2]
23	56416021	1	Lüfterrad	
25	56416289	1	Grundrahmen f. Filter	
26	56416511	1	LATCH SHAKER	
27	56416613	1	WASHER FLT SS .563 x 1.00x.060	[3]
28	56303580	1	Polyesterfilter wasser-fest CR 1200 / 14	[4]
29	56416625	2	SHAKER HINGE WELDT	
30	56416671	1	Exzenterscheibe	
31	56416675	2	BUSHING FLANGE	
32	56467307	1	Rüttelmotor	[5]
33	56508888	2	Bügel	[5]
34	56303058	1	MOUNT FAN	[3]
35	56409769	1	CLIP WEATHER PACK	
37	56002841	4	NUT HEX NYL LOC-THIN 3/8	[5]

## Part Notes:

- [1] - M5  
SEE PI 2017-002
- [2] - Not shown  
SEE PI 2017-002
- [3] - SEE PI 2017-002
- [4] - EXPIRED USE 56382783
- [5] - Note 1



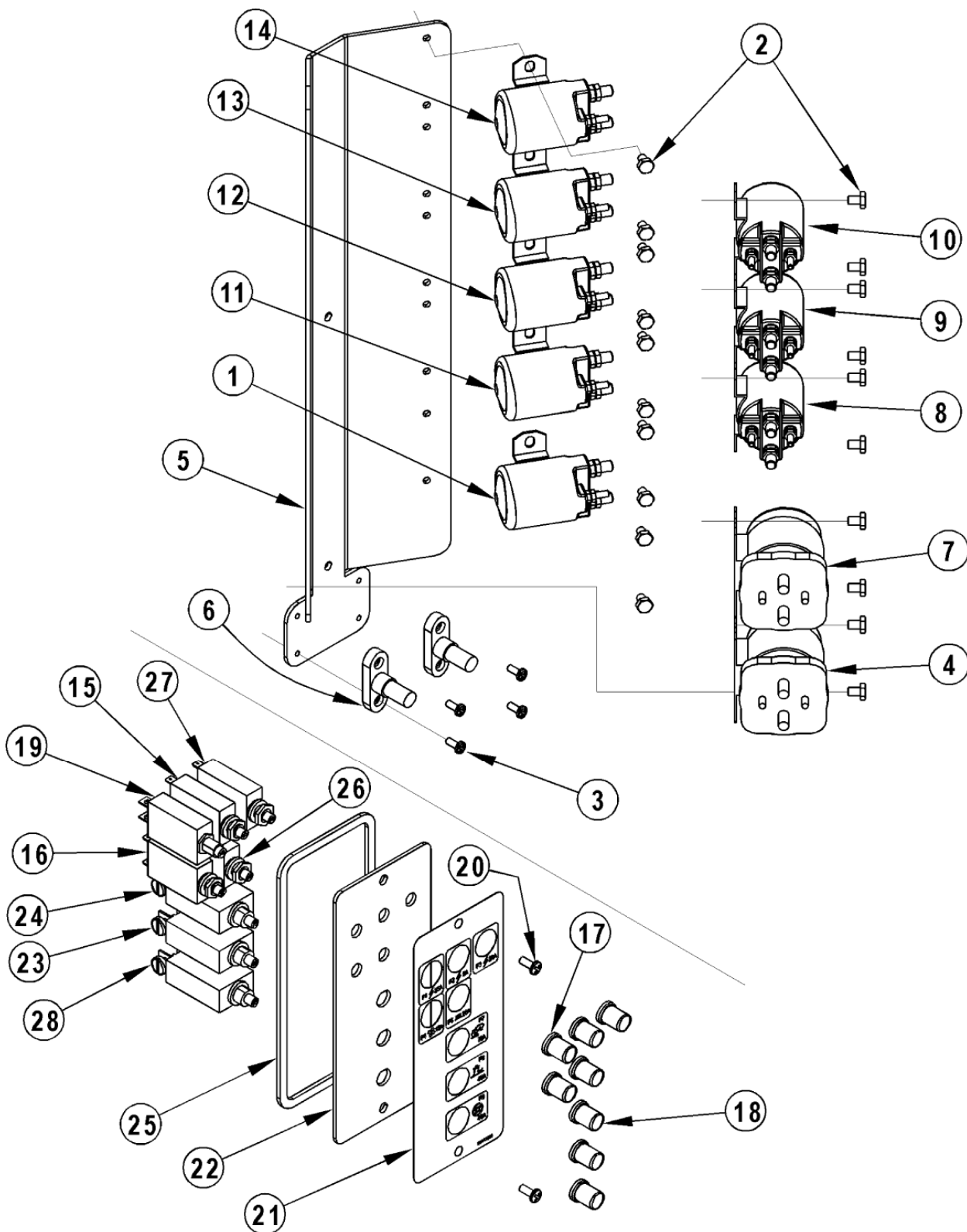
Pos.	Artikel-Nr.	Menge	Variante	Notes
01	56482365	1	HORN 36V	
02	56303213	1	Kabel	[1]
03	56303214	1	HARNESS HOPPER	[1]
04	56303215	1	Unteres Schaftwerk	
05	56303216	1	HARNESS UPPER	[2]
05	56303542	1	Oberes Schaftwerk	[3]
06	56303217	1	CABLE ASM RED 3/0-2	[1]
07	56303219	1	CABLE ASM BLK 3/0-2	[1]
08	56303251	1	CABLE ASM RED 1-1	[1]
09	56303252	1	CABLE ASM RED 1-2	[1]
10	56303253	1	CABLE ASM BLK 1-2	[1]
11	56409463	1	Clamp, 1.25 Hose support	
12	56001854	1	SCHRAUBE HEX HD1/4-20X.50	
13	56001954	1	WSH FLT SAE 10	
14	56001993	1	SCR PAN HD PHIL 10-24X.50	
15	56002098	6	Scheibe	
16	56009166	4	SCR FLT PHIL THDFORM 10-32X.75	
17	56002832	1	6-Kt Mutter Nylon	
18	56002840	4	Nut 1/4 20	
19	56003174	2	Schraube	
20	56003435	3	Schraube M8-1,25 x 2	
21	56009018	1	SCHRAUBE 1/4-20X3/4 HP5	
22	56009082	1	SCR PANPHILT HD FORMBLD10	
23	56009033	18	Schraube 1/4-20X1 2HP 5	
24	56303176	1	CIRCUIT BREAKER ASSEMBLY	[1]
25	56303197	1	Geschwindigkeitskontrolle	
26	56303200	1	Schalttafel	[1]
27	56303543	1	Kontrollbox CR 1200 B	[3]
27	56303201	1	Kontrollbox	[4]
28	56303295	2	Sicherungsblock	
29	56303297	1	Sicherung 400 A	
30	56303350	1	Kontrollleuchte, rot	[1]
31	56303526	1	Schlüssel,	[5]
31	56303373	1	PANEL ASSEMBLY	[6]
31	56009206	6	Schraube TRUSS PHIL BLK	[7]
31	56303552	1	Aggregat CR 1200 B	[3]
31	56303374	1	Aggregat	[8]
31	56303553	1	KEY SWITCH ASSEMBLY	[9]
32	56305053	2	Näherungssensor	
33	56305237	2	Glühlampe	
34	56305492	5	CLAMP P	
35	56410044	1	Sicherung 250 Amp..	
36	2-00-04602	2	CLAMP HOSE SINGLE 1/2 O.D.	[10]
37	56303555	1	Batterie-Stecker	[1]
37	56303651	11	CLAMP P CL-16	

## Part Notes:

- [1] - SEE PI 2017-002  
 [2] - before SN1779197  
 SEE PI 2017-002  
 [3] - after SN1779196  
 [4] - before SN1779197  
 STOCK COVERS GUARANTEE  
 [5] - Replacement key for 56303553 - Not shown

- for 56303553  
 [6] - Not shown  
 SEE PI 2017-002  
 [7] - Not shown

- [8] - before SN1779197  
EXPIRED NO REPLACEMENT
- [9] - TSBUS2004-873 - not shown TSB US 2004-873. Key Switch Kit, PN 56303554.
- [10] - EXPIRED USE 56486112

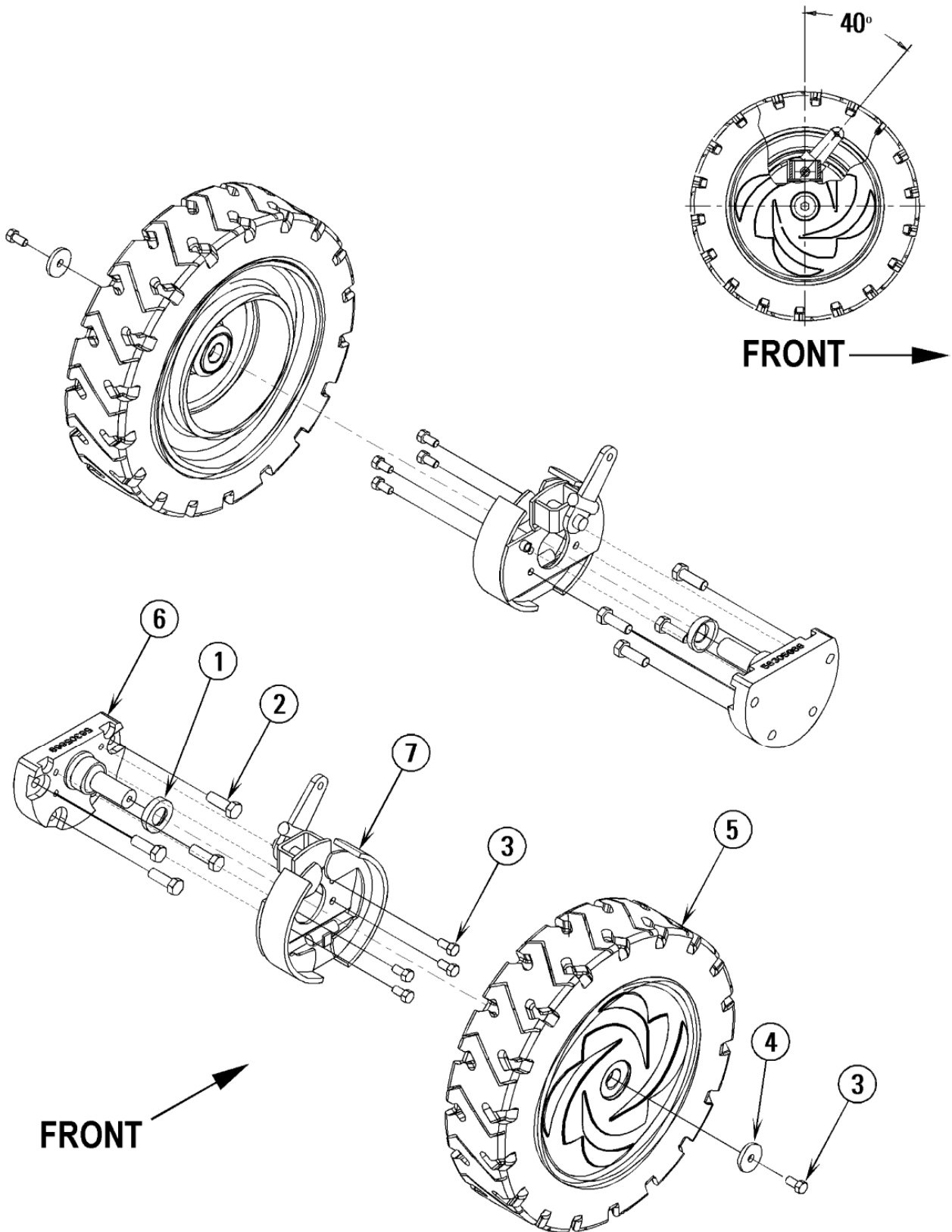




Pos.	Artikel-Nr.	Menge	Variante	Notes
	56303200	1	Schalttafel	[1]
01	56395450	1	Relais BR 1000	[2]
02	56009019	20	Schraube 1/4-20x.38	
03	56009029	4	SCR PANPHIL THD FORM10-24	
04	56303198	1	Relais 26V	[3]
05	56303199	1	PANEL ELECTRIC	
06	56303298	2	STUD TYPE JUNCTION BOX	
07	56303198	1	Relais 26V	[4]
08	56395450	1	Relais BR 1000	[5]
09	56395450	1	Relais BR 1000	[6]
10	56395450	1	Relais BR 1000	[7]
11	56395450	1	Relais BR 1000	[8]
12	56395450	1	Relais BR 1000	[9]
13	56395450	1	Relais BR 1000	[10]
14	56395450	1	Relais BR 1000	[11]
14	56303176	1	CIRCUIT BREAKER ASSEMBLY	[12]
15	56387328	1	Unterbrecher	[13]
16	56454538	1	Sicherungsautomat 15A	[14]
17	56459367	5	Abdeckung Rückstellknopf5015	
18	56459368	3	Abdeckung Rückstellknopf5015	
19	56469788	1	Unterbrecher	[15]
20	56001993	2	SCR PAN HD PHIL 10-24X.50	
21	56303589	1	DECAL CIRCUIT BREAKER	[16]
22	56303588	1	PLATE CIRCUIT BREAKER MOUNT	[16]
23	56303299	1	Überlastungsschutz 40 Amp	[17]
24	56303301	1	Sicherung 70 Amp.	[18]
25	56305232	1	GASKET	
26	56395454	1	Einbausicherung 20 A	[19]
27	56395454	1	Einbausicherung 20 A	[20]
28	56303299	1	Überlastungsschutz 40 Amp	[21]

## Part Notes:

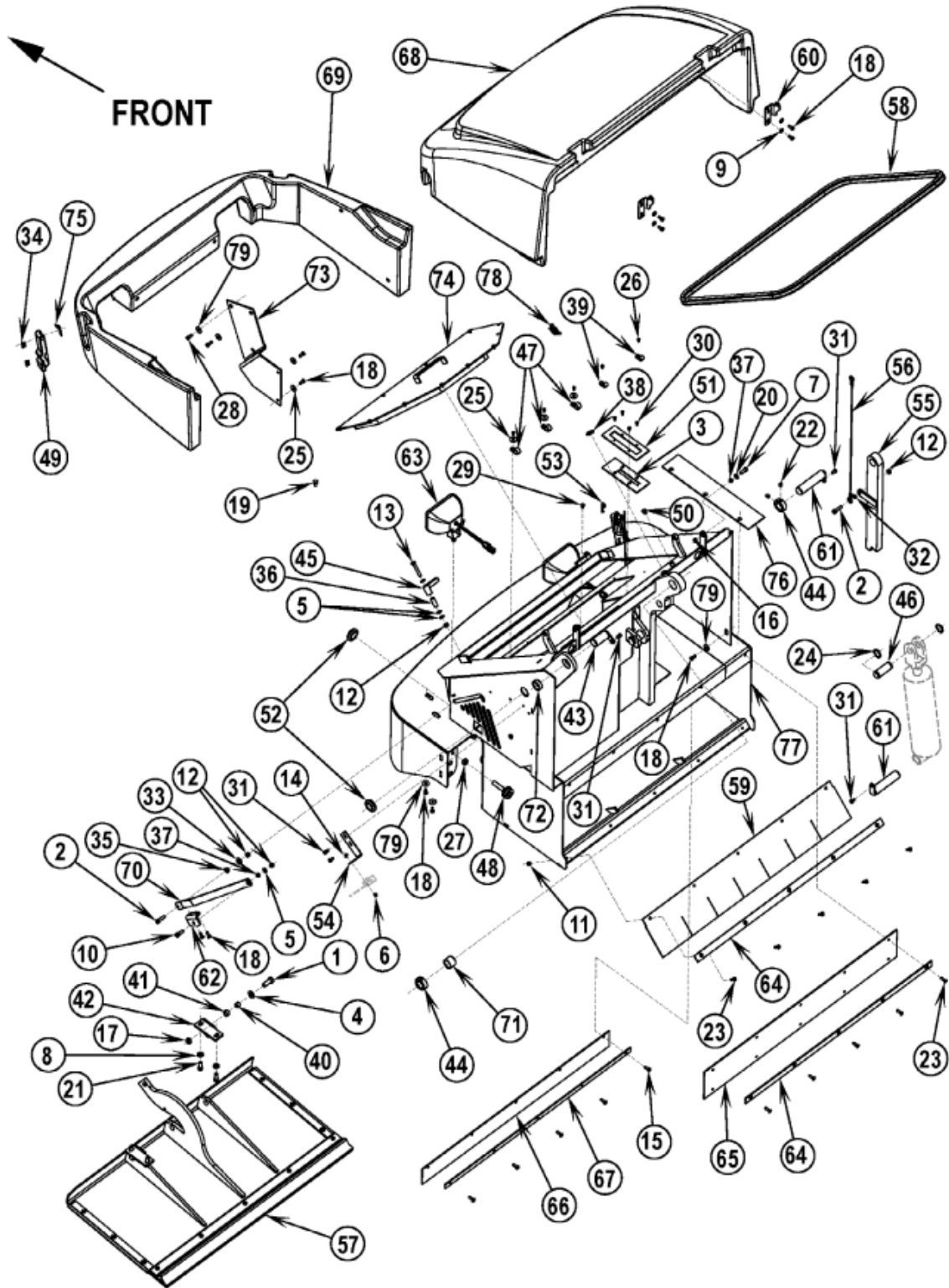
- [1] - (ITEMS 1-14)  
SEE PI 2017-002
- [2] - (K10 AUXILIARY)
- [3] - (K5 DRIVE)
- [4] - (K4 MAIN BROOM)
- [5] - (K3 RIGHT BRUSH)
- [6] - (K2 CENTER BRUSH)
- [7] - (K1 LEFT BRUSH)
- [8] - (K9 STEERING)
- [9] - (K8 SIDE BROOMS)
- [10] - (K7 VACUUM)
- [11] - (K6 DUST CONTROL)
- [12] - (ITEMS 15-28)  
SEE PI 2017-002
- [13] - (F2 AUXILIARY)
- [14] - (F4 DUST CONTROL)
- [15] - (F1 AUXILIARY)
- [16] - SEE PI 2017-002
- [17] - (F8 VACUUM MOTORS)
- [18] - (F7 HYDRAULIC PUMP)
- [19] - (F5 SIDE BROOMS)
- [20] - (F3 AUXILIARY)
- [21] - (F9 POWER STEERING)



Pos.	Artikel-Nr.	Menge	Variante	Notes
01	56305742	2	Distanzscheibe CR 1200	
02	56002954	8	Schraube 1/2-13x1	
03	56003079	10	SCR HEX HD LOC 3/8-16X1	
04	56367117	2	Scheibe Stahl	
05	56382656	2	WHEEL FRONT	
05	56304024	1	Reifen 16 x 4	[1]
05	56382835	1	HUB KIT	[1]
05	56111531	2	Kugellager	[2]
06	56305927	2	Radnabe vorne CR 1200	
07	56305600	1	Bremsklotz	[3]
07	56410012	2	Bremsbeläge	

## Part Notes:

- [1] - 1 per wheel assy - not shown
- [2] - 2 per wheel assy - not shown
- [3] - 2 required per brake assy



Resource notes:

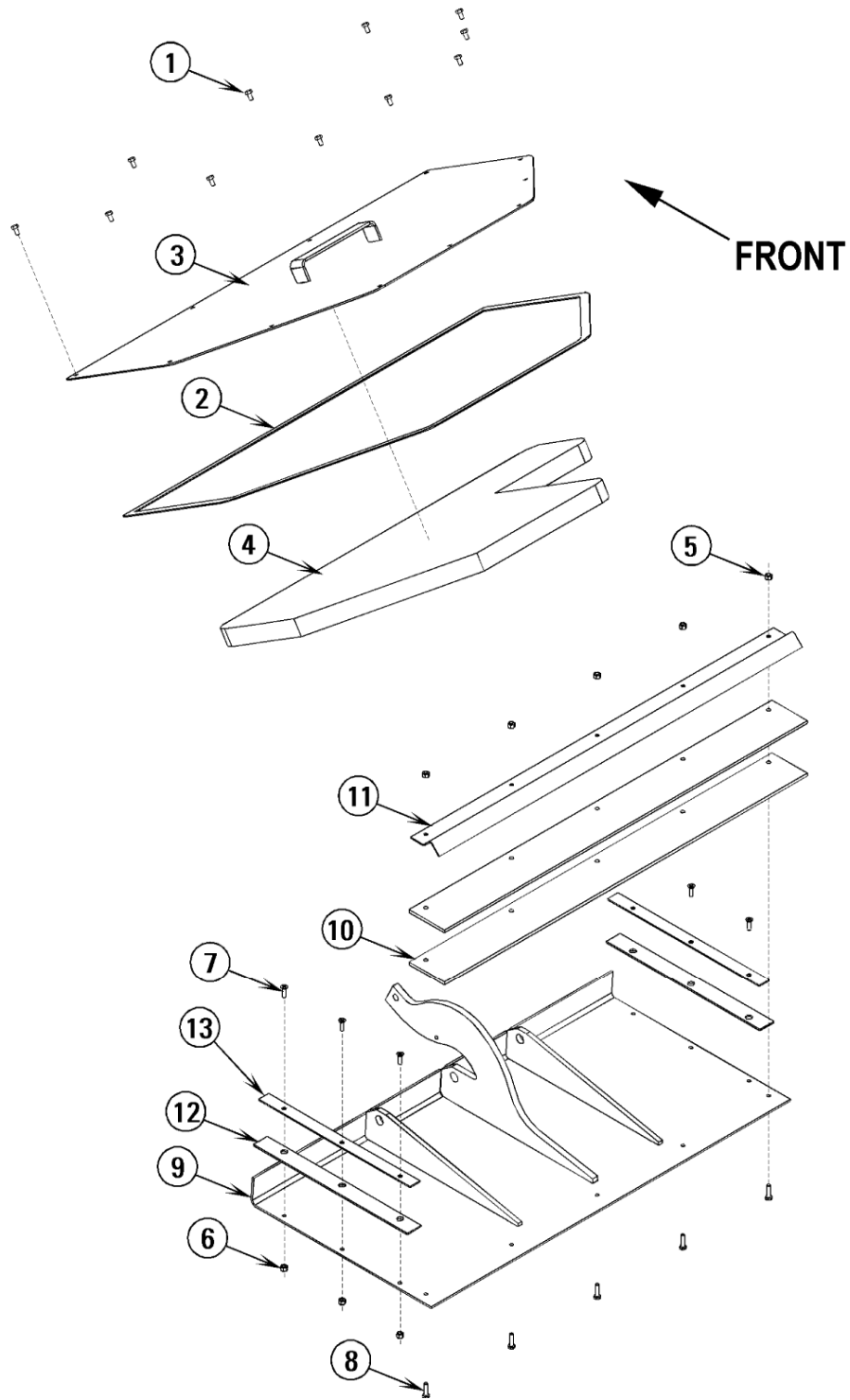
Note 1: Hex head screw for right headlight. Note 2: Fold 180o around the top of strap.

Pos.	Artikel-Nr.	Menge	Variante	Notes
01	56001831	2	Schraube 1/2-13X1.25	
02	56001834	2	Schraube 5/16-18 x 1.25	
03	56419264	1	Manschette	
04	56001879	2	U-SCHEIBEN	
05	56001939	7	Flachdichtung 5/16	
06	56001818	1	SCR PAN PHIL 8-32 X .38	
07	56002037	2	SCR HEX 5/16-18 X .88	
08	56002063	4	"U-Scheibe 3/8""	
09	56002098	4	Scheibe	
10	56002221	1	SCR HEX HD 5/16-18 X 1.00	
11	56002491	15	Stopmutter 1/4-20	
12	56002701	5	MUTTER 5-16-18 HEX JAM	
13	56002721	2	Schraube 5/1618x2.0	
14	56002877	1	NUT HEX NYL LOC SS 8-32	
15	56002807	5	Schraube Zoll	
16	56002826	2	NUT HEX NYLOC THIN 5/16-1	
17	56002843	2	NUT HEX NYL LOC-THIN1/2-1	
18	56002922	14	SCR HEX LOC 1/4-20 X .62	
19	56002929	1	SCR HEX HD LOC 5/16-18X	[1]
20	56002938	2	WSH FLT SAE SS 5/16	
21	56002947	4	SCR HEX HD LOC 3/8-18 X 1	
22	56003081	4	Madenschraube 3/8 x 16	
23	56002711	10	SCHRQAUBE 1/4-20X3/4KONISCH	
24	56003258	2	Federscheibe	
25	56009002	10	UNTERLEGSSCHEIBE, FLACH	
26	56009012	5	Schraube 10-24 x 3/8Siehe 56009039	
27	56002770	2	Mutter 1/2 - 13	
28	56009018	2	SCHRAUBE 1/4-20X3/4 HP5	
29	56009019	1	Schraube 1/4-20x.38	
30	56009082	4	SCR PANPHILT HD FORMBLD10	
31	56009033	5	Schraube 1/4-20X1 2HP 5	
32	56009086	1	NUT, HEX JAM 5/16-18	
33	56009122	1	Unterlegscheibe	
34	56002043	8	Schraube 10-24 x 38	
35	56244937	1	BUSHING FLANGE .328FC428C	
36	56300241	2	BUSHING .33X.50X1.3HA515A	
37	56320595	3	BUECHSE	
38	56009095	1	Mutter 1/2-14	
39	56442011	2	CLAMP CABLE .438 E00129	
40	56360627	2	Büchse	
41	56370878	2	Lagerbüchse	
42	56416253	2	HINGE WELDMENT	
43	56416308	2	Bolzen, links	
44	56416498	2	COLLAR HOPPER HINGE	
45	56416674	2	Halterung f. Filter	
46	56418625	1	Bolzen, zylindrisch, kurz	
47	56442003	3	Kabelklammer	
48	56449221	2	DAEMPFER	
49	56462746	2	Haubenhälter	
50	2-00-03778	1	HEX HD 1/8 NPT PLUG	
51	56419265	1	Platte	
52	56486116	3	GROMMET E00059	
53	56003120	1	Vorstecker	
54	56304416	1	BRACKET MAGNETIC SWITCH	
55	56304526	1	Halterung	
56	56304548	1	PROP ROD CABLE ASSEMBLY	
57	56304596	1	Klappe für Schmutzbehälter	
58	56304617	1	Dichtung	
59	56304665	1	Spritzgummi CR 1200	

Pos.	Artikel-Nr.	Menge	Variante	Notes
59	56305593	1	Sauglippen f. Kehrgutbehälter	[2]
60	56304677	2	HINGE PLATE	
61	56304683	2	PIN HOPPER HINGE WELDMENT	
62	56304685	1	BRACKET PROP	
63	56304783	1	Leuchtmittel	
63	56304768	2	Lampe 12V CR 1400	
64	56304807	2	Halteleiste CR 1200	
65	56304810	1	Dichtung SchmutzbehälterCR 1200	[3]
66	56304815	1	Gummileiste f. CR 1200	
67	56304816	1	Befestigungsschiene	
68	56304832	1	COVER HOPPER	
69	56304833	1	COVER HOPPER BOTTOM	
70	56304863	1	Strebe	
71	56304896	1	BEARING SLEEVE 1.125X1.375X.5	
72	56304897	1	Lagerbuchse	
73	56305183	1	BRACKET LOWER HOPPER COVER	
74	56305190	1	Verschußklappe	
75	56462746	2	Haubenhalter	
76	56305196	1	Gummilippe	
77	56305465	1	Gehäuse f. Kehrvorsatz	[4]
78	56462361	1	CONN.WR.PK.2 WAY FE	
79	56172017	2	P-CLIP E00129	[5]
79	56100094	8	WSH FLT ZN .250 E00458	

## Part Notes:

- [1] - NOTE 1
- [2] - Optional
- [3] - NOTE 2
- [4] - SEE PI 2017-002
- [5] - Not shown

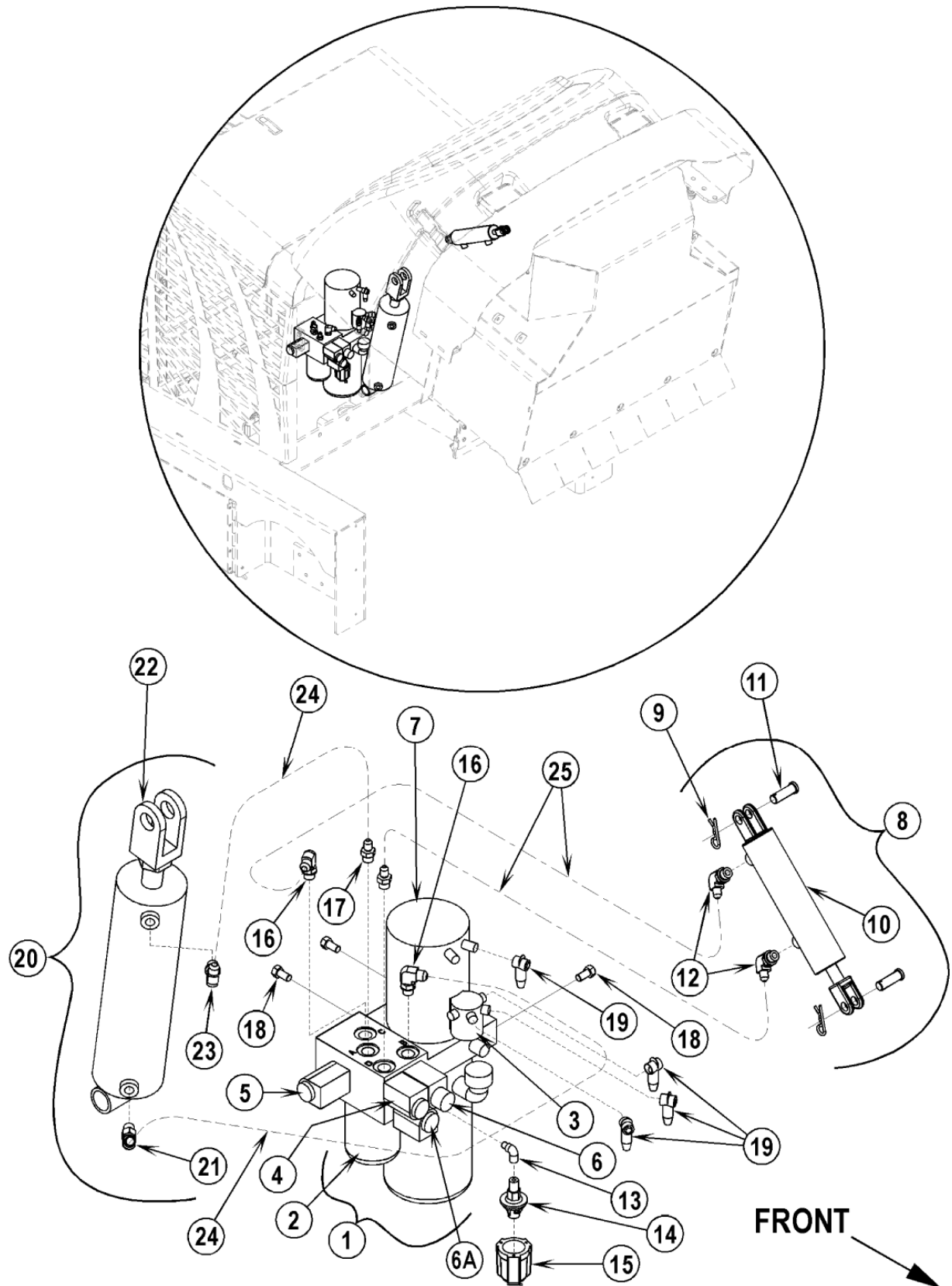


Pos.	Artikel-Nr.	Menge	Variante	Notes
00	56304596	1	Klappe für Schmutzbehälter	[1]
00	56305190	1	Verschußklappe	[2]
01	56009012	11	Schraube 10-24 x 3/8Siehe 56009039	
02	56330682	1	Dichtung1/16x1/2x120 HC525F	[3]
03	56304401	1	Abdeckung	
04	56304729	1	FOAM ACCESS PANEL	
05	56002491	5	Stopmutter 1/4-20	
06	56002491	6	Stopmutter 1/4-20	
07	56002711	6	SCHRQAUBE 1/4-20X3/4KONISCH	
08	56002883	5	Schraube SS1/4-20x75	
09	56304597	1	DUMP DOOR WELDMENT	
10	56304808	2	Gummileiste (Tür) CR1200	
11	56304809	1	Anschlagwinkel	
12	56419440	2	Gummileiste Neoprene	
13	56419441	2	Befestigungsschiene	

## Part Notes:

- [1] - items 5-13
- [2] - items 1-4
- [3] - EXPIRED NO REPLACEMENT

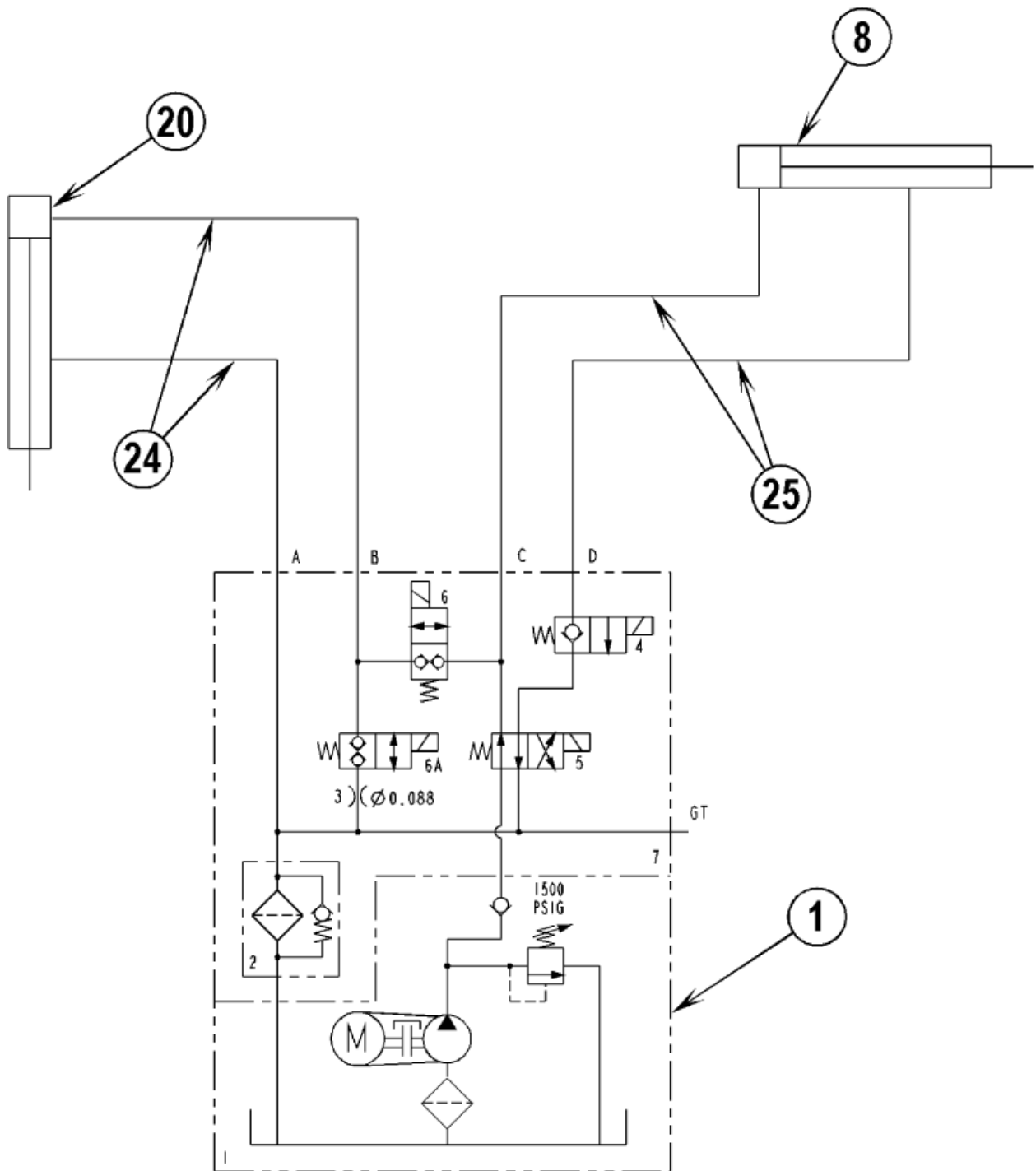




Pos.	Artikel-Nr.	Menge	Variante	Notes
01	56303040	1	Hydraulikeinheit CR1200B	[1]
02	56303432	1	Hydraulikfilter	
03	56303441	1	Spule	[2]
03	56303433	1	BRUSH & SPRING KIT	[3]
04	56303435	1	SOLENOID VALVE ITEM 4	[4]
05	56305369	1	Steckerventil	[5]
06	56303437	1	SOLENOID VALVE ITEM 6	[6]
06A	56303434	4	Magnetspule 24V	[7]
06A	56303437	1	SOLENOID VALVE ITEM 6	[8]
07	56303561	1	Hydrauliktank, Kit	[9]
07	56303440	1	MOTOR HYDRAULIC POWER UNIT	[10]
08	56416121	1	Hydraulikzylinder für	[11]
09	56002529	2	PIN Cotter .12x1.00	
10	56416202	1	CYLINDER HYDRAULIC	
11	56486733	2	PIN-CLEVIS-.5X1.5	
12	56900110	2	Winkel 90Grad f. CR 1300	
13	56111309	1	Winkel 1/8 x 90	
14	56418994	1	Öldruckschalter	[12]
15	56419241	1	Abdeckung f.Druckschalter	
16	56900103	2	ELBOW 90 DEG 0/R-6	
17	56900011	2	O-ring verbindung	
18	56003079	3	SCR HEX HD LOC 3/8-16X1	
19	56409538	4	Isolator	
19	56463427	1	Hülse	[13]
20	56303274	1	CYLINDER HOPPER LIFT ASSEMBLY	[14]
21	56900153	1	ELBOW 45 DEG.O/R -6 E00004	
22	56303103	1	CYLINDER HOPPER LIFT	[15]
23	56900103	1	ELBOW 90 DEG 0/R-6	
24	56303276	2	HOSE ASSY - HOPPER CYLINDER	[16]
25	56303277	2	HOSE ASSY - HOPPER DOOR	

## Part Notes:

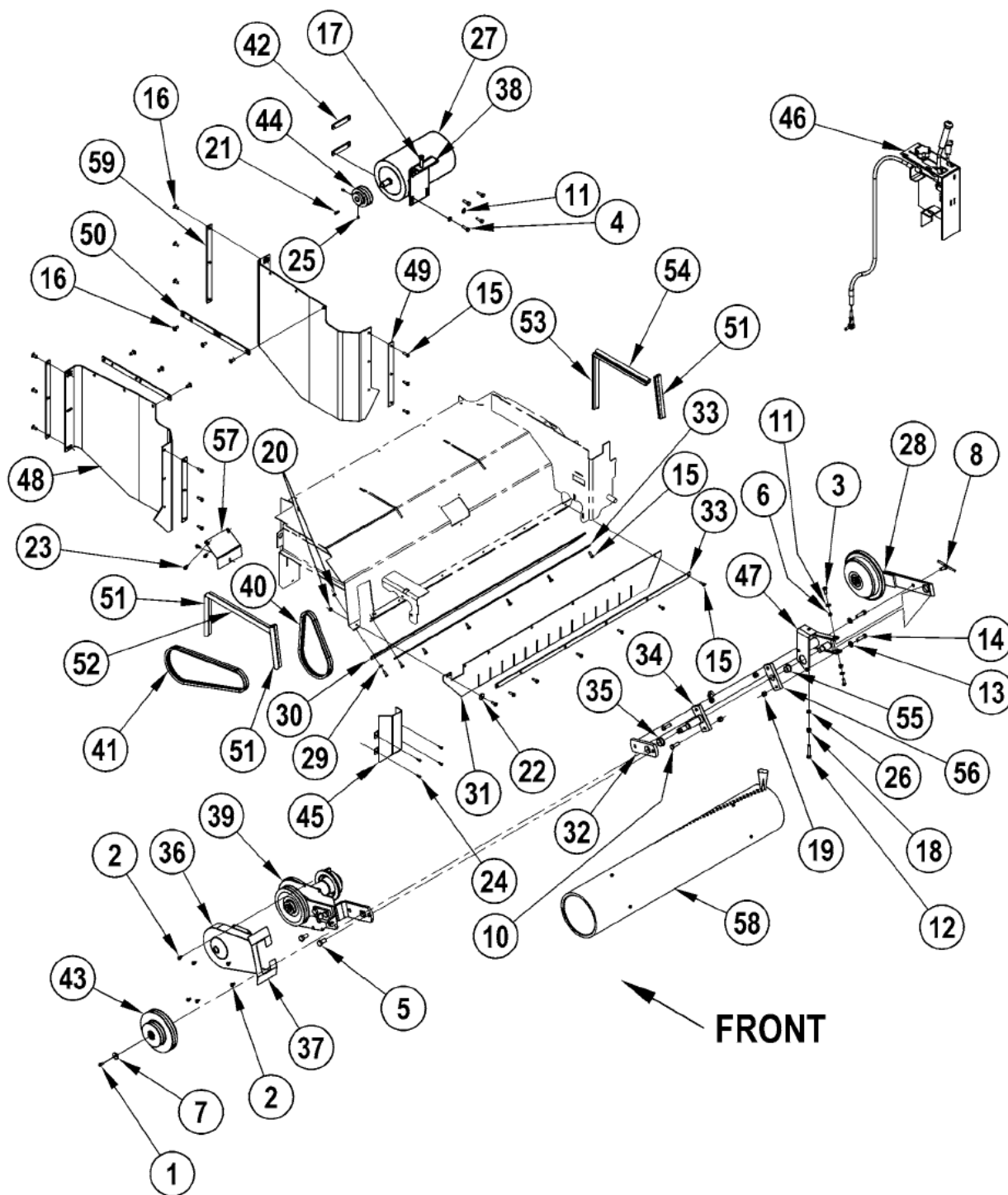
- [1] - includes replacement items 2-7 TSBUS2006-916
- [2] - K11
- [3] - for replacement on 56303070 - Not shown  
SEE PI 2017-002
- [4] - L4
- [5] - L5
- [6] - L6  
SEE PI 2017-002
- [7] - 1 per each Solenoid Valve above - Not shown  
SEE PI 2017-002
- [8] - L6A  
SEE PI 2017-002
- [9] - M10 - Not shown
- [10] - M10  
SEE PI 2017-002
- [11] - items 9-12
- [12] - S7
- [13] - Not shown
- [14] - items 21-23  
SEE PI 2017-002
- [15] - EXPIRED NO REPLACEMENT
- [16] - SEE PI 2017-002



Pos.	Artikel-Nr.	Menge	Variante	Notes
01	56303040	1	Hydraulikeinheit CR1200B	[1]
08	56416121	1	Hydraulikzylinder für	
20	56303274	1	CYLINDER HOPPER LIFT ASSEMBLY	[2]
24	56303276	2	HOSE ASSY - HOPPER CYLINDER	[2]
25	56303277	2	HOSE ASSY - HOPPER DOOR	

## Part Notes:

- [1] - TSBUS2006-916
- [2] - SEE PI 2017-002



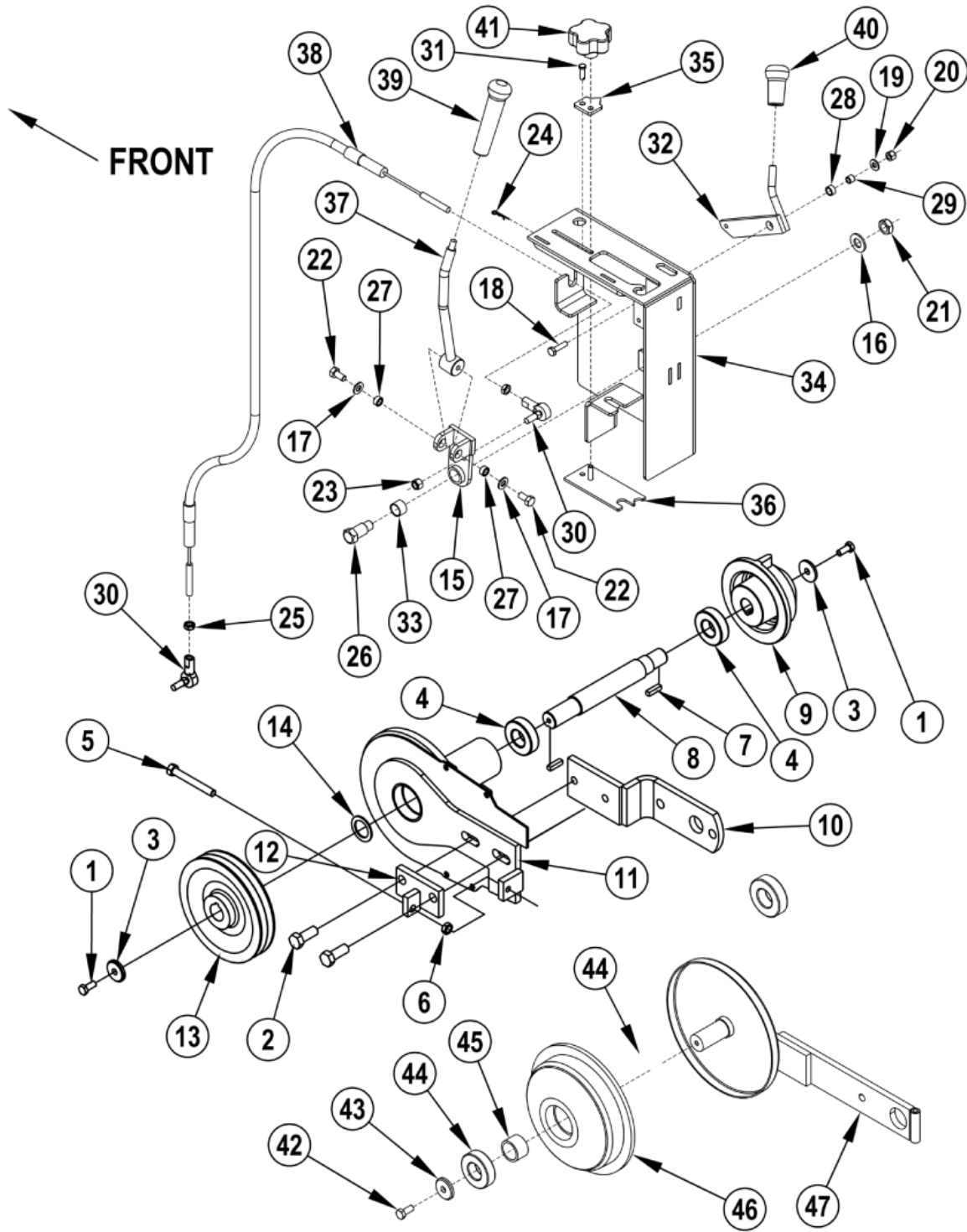
Pos.	Artikel-Nr.	Menge	Variante	Notes
01	56002922	1	SCR HEX LOC 1/4-20 X .62	
02	56009019	6	Schraube 1/4-20x.38	
03	56002956	2	Schraube HEX LOC 5/16-18	
04	56003073	4	SCR HEX HD LOC S/16-18	
05	56003083	2	Radbolzen	
06	56320595	2	BUECHSE	
07	56388766	1	WSH FLT ZN .250 E00458	
08	56416382	1	Schraube spez.	
10	56002095	2	Schraube 3/8-16 X 1.50	[1]
11	56001939	4	Flachdichtung 5/16	
12	56002013	1	Schraube 5/16-18X	
13	56002063	2	"U-Scheibe 3/8""	
14	56002095	2	Schraube 3/8-16 X 1.50	[1]
15	56002155	20	SCR HEX 1/4-20 X .75	
16	56002395	12	Schraube, FLT-PHIL 5/16	
17	56002470	1	SCR HEX THD/HD 3/8-16 X 2.00	
18	56002701	1	MUTTER 5-16-18 HEX JAM	
19	56002769	4	Stopmutter 3/8-16	
20	56002840	14	Nut 1/4 20	
21	56003238	1	Keil BR 1300 C	
22	56009002	1	UNTERLEGSSCHEIBE, FLACH	
23	56009033	3	Schraube 1/4-20X1 2HP 5	
24	56009039	4	SCHRAUBE 1/4-20X1-1/2	
25	56009076	2	Schraube Soc Set Loc 1/4-	
26	56009086	1	NUT, HEX JAM 5/16-18	
27	56303419	4	Kohlebürste	[2]
27	56303039	1	Motor 2.0 HP	
27	56303444	4	SPRING BRUSH	[2]
28	56303128	1	Arm f. SB rechts	
29	56002098	1	Scheibe	
30	56303148	1	Befestigungsleiste	
31	56303149	1	Spritzschutz	
32	56303273	1	MAIN BROOM HANGER WELDMENT-PTD	
33	56303280	2	Schiene, hinten	[3]
34	56303366	1	SHAFT WELDMENT	
35	56303367	1	Lager	
36	56303523	1	BELT GUARD WELDMENT-PAINTED	
37	56303496	1	SHIELD	
38	56303506	1	BRACKET MOTOR ADJUSTER	[3]
39	56303507	1	Antrieb f. Kehrwalze	[3]
40	56303519	2	BELT 3VX280 SET OF 2 E00456	
41	56303520	2	BELT 3VX400 SET OF 2 E00456	
42	56303522	2	Platte	
43	56303528	1	Umlenkrolle, Kit	
44	56303529	1	Riemenscheibe	
45	56303532	1	GUARD BELT REAR	
46	56304753	1	BROOM LIFT ASSEMBLY	
47	56304919	1	BROOM ADJUSTER	
48	56304924	2	Gummi	
49	56304925	2	Bandeisen	
50	56305102	4	Befestigungsschiene	[4]
51	56305198	3	Dichtung	
52	56305199	1	Dichtung	
53	56305200	1	Dichtung	
54	56305201	1	Dichtung	
55	56305255	1	BEARING FLANGE	
56	56305276	1	PILLOW BLOCK	
57	56305819	1	COVER ACCESS	
58	56505955	1	Kehrwalze Pro-ex/Stahl 8R	

---

Pos.	Artikel-Nr.	Menge	Variante	Notes
58	56505953	1	Kehrwalze Nylon 8R	[5]
58	56505956	1	Kehrwalze PPN 8R	[5]
58	56505952	1	Kehrwalze Pro-ex 12R	[5]
58	56505951	1	Kehrwalze Poly/Stahl 8R	[5]
58	56505954	1	Kehrwalze Pro-ex 8R	[5]
59	56305960	2	Befestigungsschiene	[6]

## Part Notes:

- [1] - EXPIRED USE 56002747
- [2] - Not shown
- [3] - SEE PI 2017-002
- [4] - Qty of 2 after SN 1789305
- [5] - Optional
- [6] - After SN 1789305

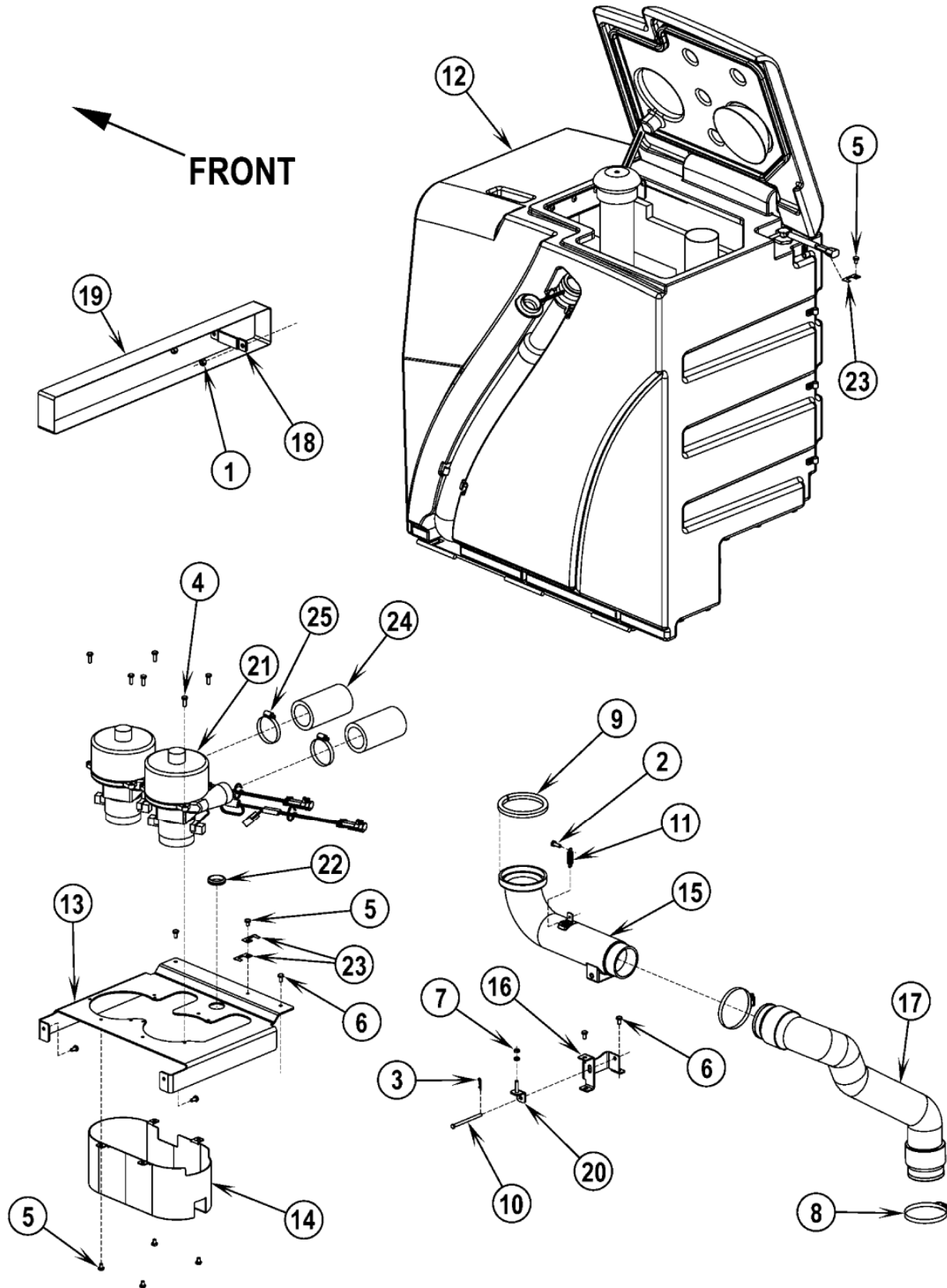




Pos.	Artikel-Nr.	Menge	Variante	Notes
00	56304753	1	BROOM LIFT ASSEMBLY	
00	56303128	1	Arm f. SB rechts	
00	56303507	1	Antrieb f. Kehrwalze	[1]
01	56002956	2	Schraube HEX LOC 5/16-18	
02	56003022	2	SCR HEX HD LOC 1/2-1X3	
03	56358959	2	WASHER, PLATED AR131C	
04	56479430	2	Kugellager 6205-2RS	
05	56002204	1	Schraube 3/8 16 x 3.00	
06	56002769	1	Stopmutter 3/8-16	
07	56003244	2	Keil, SQ .25x.94	
08	56303045	1	Antriebswelle	
09	56303087	1	HUB DRIVER	
10	56303480	1	BROOM ARM WELDMENT-PAINTED	
11	56303509	1	BROOM ARM WELDMENT-PAINTED	[1]
12	56303524	1	BELT TENSIONER WELDMENT-PLATED	
13	56303531	1	Riemenscheibe 3V 5.95	
14	56748926	1	WSH FLT STEEL 1.030PB125E00458	
14	56304753	1	BROOM LIFT ASSEMBLY	
15	56305474	1	LIFT PIVOT WELDMENT	
16	56001879	1	U-SCHEIBEN	
17	56001939	2	Flachdichtung 5/16	
18	56002093	1	SCR HEX HD 1/4-20 X 1.00	
19	56002098	1	Scheibe	
20	56002708	1	Stopmutter 1/4-20	
21	56002843	1	NUT HEX NYL LOC-THIN1/2-1	
22	56002929	2	SCR HEX HD LOC 5/16-18X	
23	56002950	1	Mutter 5/116-24	
24	56003332	1	Pin, Cot Hair .042x.18	
25	56001884	2	Mutter 5/16 24	
26	56171336	1	BOLT, SHOULDER	
27	56320595	2	BUECHSE	
28	56368970	1	LAGER BRONZE	
29	56368989	1	BUSHING .25x.37x.30	
30	56477756	2	Kugelgelenk BR 800	
31	56003663	1	Pin	
32	56304345	1	Hebel	
33	56304586	1	Lager 750x625x500	
34	56304752	1	BROOM LIFT WELDMENT	
35	56304821	1	Anzeigenschild	
36	56304822	1	Anschlagplatte	
37	56304825	1	Hebel	
38	56305009	1	CABLE BROOM LIFT	
39	56305010	1	Knopf f. Bürste	
40	56305011	1	Handgriff	
41	56305030	1	Drehknopf	
42	56002956	1	Schraube HEX LOC 5/16-18	
43	56358959	1	WASHER, PLATED AR131C	
44	56479430	2	Kugellager 6205-2RS	
45	56479434	1	Distanzring CR 1200	
46	56493845	1	Walzenaufnahme	[2]
47	56303279	1	RIGHT BROOM ARM WELDMENT-PTD	

## Part Notes:

- [1] - SEE PI 2017-002  
 [2] - EXPIRED USE 56111915



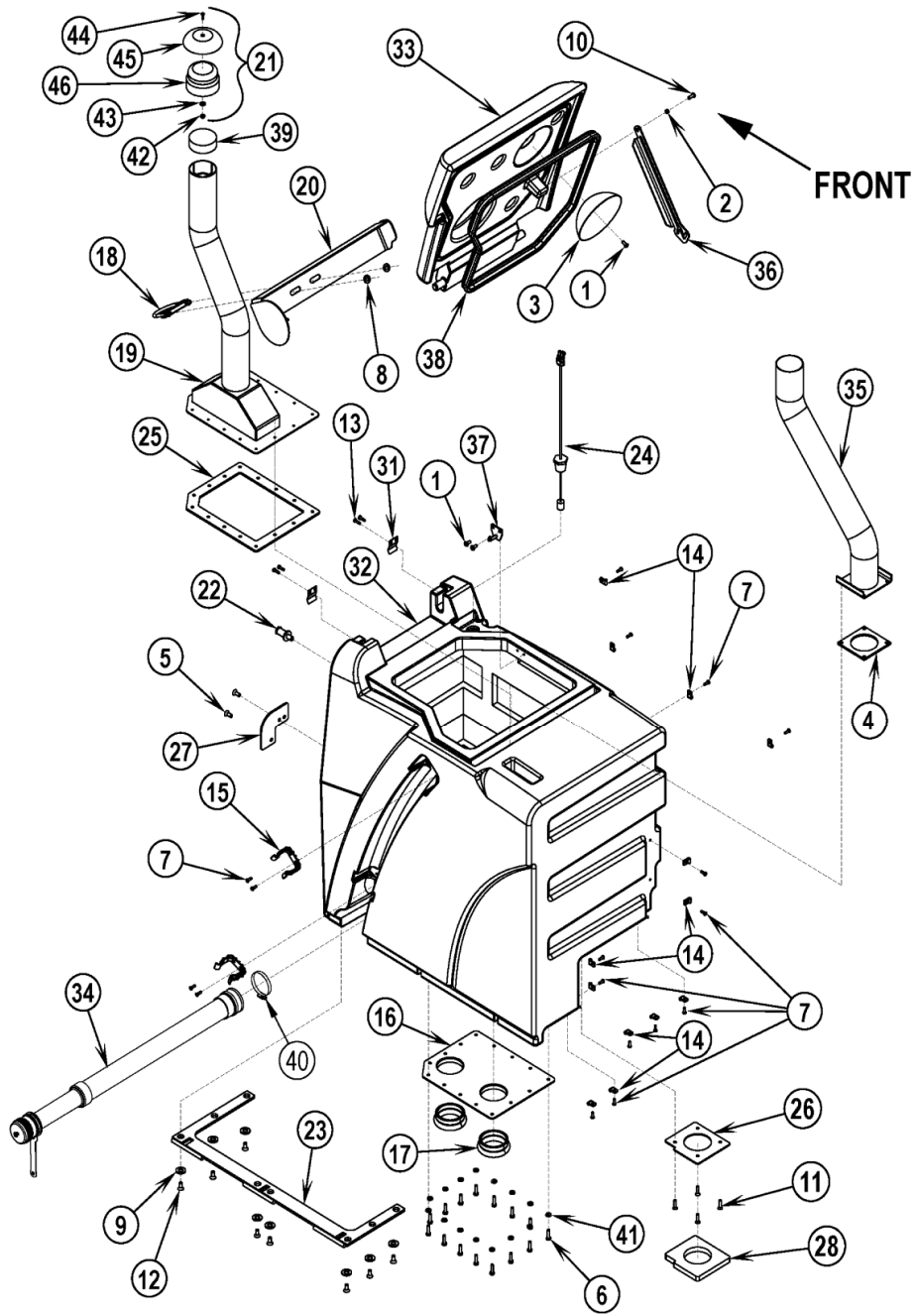
Resource notes:

NOTE 1: PN56109570 (roto-molded) replaces PN56307220 (stainless steel) for machines built after May 2009. For machines built prior to SN1923312 see TSBUS2006-920. NOTE 2: PN56109531 (roto-molded) replaces PN56304840 (stainless steel) for machines built after May 2009. TSB US 2006-920. Recovery tank inlet seal

Pos.	Artikel-Nr.	Menge	Variante	Notes
01	56002701	2	MUTTER 5-16-18 HEX JAM	
02	56002948	1	Schraube 1/4-20 X .75	
03	56003332	1	Pin, Cot Hair .042x.18	
04	56009018	6	SCHRAUBE 1/4-20X3/4 HP5	
05	56009019	6	Schraube 1/4-20x.38	
06	56009033	6	Schraube 1/4-20X1 2HP 5	
07	56009087	2	Muter Hexsam 1/4-20	
08	56352829	2	Bride	
09	56109570	1	Kantenschutz	[1]
10	56003669	1	PIN-CLEVIS-.25X3.5	
11	56112054	1	Feder	
12	56303172	1	Tank kpl.	[2]
12	56303376	1	RECOVERY TANK ASSEMBLY	[3]
13	56303181	1	PLATE FAN MOUNT	[4]
14	56303220	1	MOTOR GUARD WELDMENT	
15	56109531	1	Spiral Rücksaug Schlauch	[5]
16	56304844	1	MOUNT PIVOT	
17	56305377	1	Saugschlauch CR 1400	
18	56305488	1	TIE DOWN	
19	56305491	1	Sicherungsgurt	
20	56305721	1	TAB ADJUST	
21	56212223	1	CARBON BRUSH SET OF 2	[6]
21	56410065	2	Saugmotor 36V 3St	
22	56056871	1	GROMMET E00059	
23	56409769	3	CLIP WEATHER PACK	
24	56324358	2	SCHLAUCH	
25	56440213	2	Schlauchbride	

## Part Notes:

- [1] - NOTE 1 - TSBUS2006-920TSB US 2006-920. Recovery tank inlet seal
- [2] - See Recovery Tank Assembly - CR 1200B  
SEE PI 2017-002
- [3] - See Recovery Tank Assembly - CR 1100B  
NO LONGER AVAILABLE
- [4] - SEE PI 2017-002
- [5] - NOTE 2
- [6] - Not shown

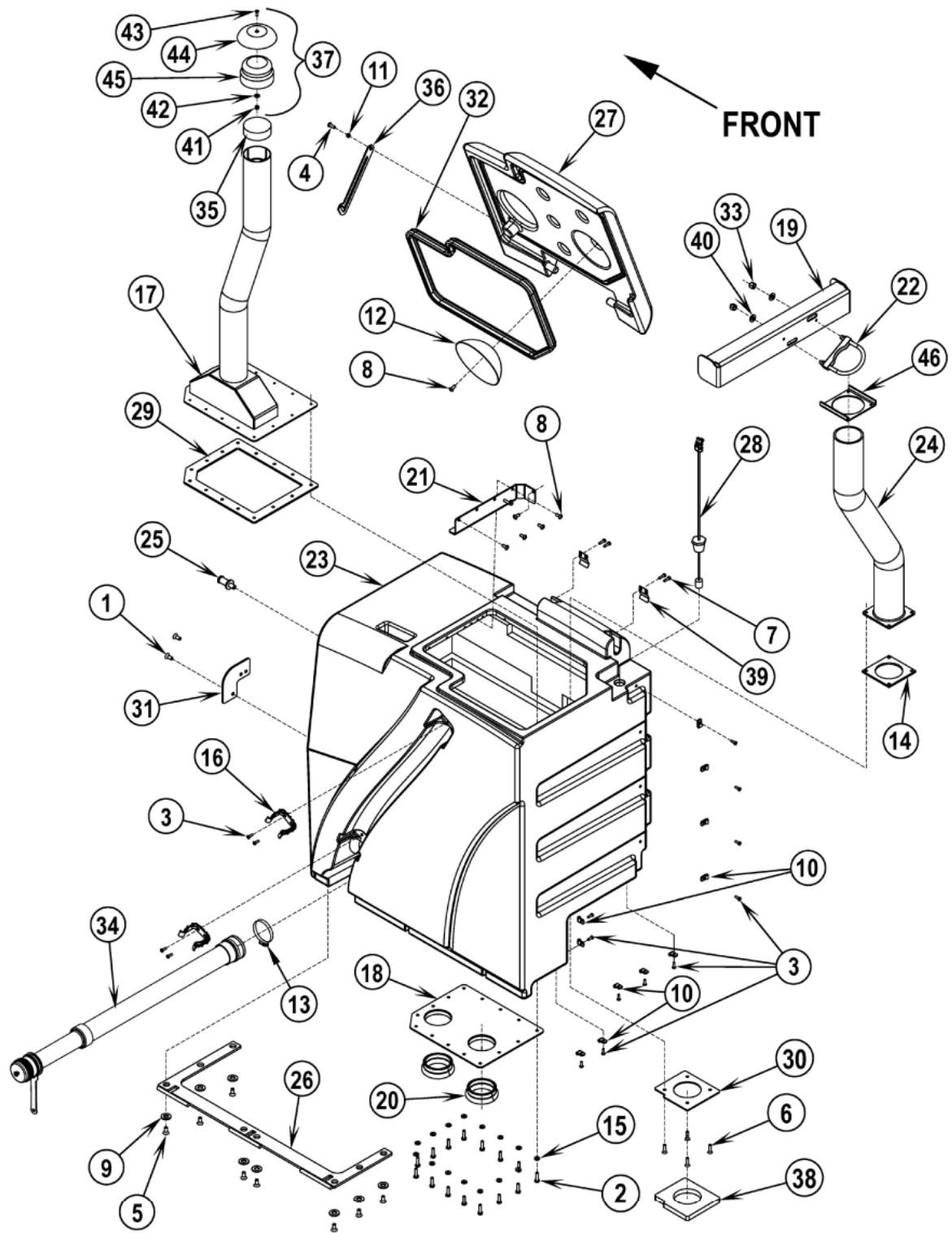


Pos.	Artikel-Nr.	Menge	Variante	Notes
00	56303376	1	RECOVERY TANK ASSEMBLY	[1]
01	56009120	3	SCR PANPHIL SS TYPEB1/4-14X.62	
02	56206784	1	BUECHSE	
03	56454718	1	DEFLECTOR	
04	56459136	1	Dichtung	
05	56002395	2	Schraube, FLT-PHIL 5/16	
06	56002883	15	Schraube SS1/4-20x75	
07	56002896	17	Schraube SS10-24X0	
08	56002910	2	"Scheibe 3/8""	
09	56002918	8	Unterlegscheibe	
10	56002957	1	Schraube SS 1/4 - 20 X	
11	56003074	4	Schraube FLT PHIL SS	
12	56003689	8	SCR FLT PHIL SS 5/16-18 X .75	
13	56009005	4	Schraube 16x.75	
14	56220507	13	Klammer	[2]
15	56212236	2	Schlauchbride BR 850	
16	56303185	1	SEAL WELDMENT	[3]
17	56303317	2	GASKET BULB	
18	56303330	1	CLAMP MUFFLER	[3]
19	56303377	1	STANDTUBE WELDMENT 60	[3]
20	56303385	1	BRACE RECOVERY TANK	[3]
21	56303392	1	Abdeckkappe	[4]
22	56304864	1	Arretierbolzen	
23	56304871	1	Schmutztanksensor	
24	56305977	1	Schwimmerschalter CR 1400	[2]
25	56305054	1	Dichtung	
26	56305060	1	PLATE SEAL SQUEEGEE	
27	56305202	1	PLATE TETHER COVER	
28	56307219	1	Schaumdichtung	[5]
31	56305457	2	CLIP	
32	56305523	1	TANK RECOVERY 60 GAL	
33	56305548	1	LID RECOVERY TANK 60 GAL	[6]
34	56601410	1	Ablaßschlauch	[7]
34	56601411	1	Ablassschlauchdeckel komplBA 755	[8]
34	56381927	1	Abwasserschlauch	[9]
35	56305632	1	STANDPIPE WELDMENT RIGHT	[10]
36	56305642	1	SUPPORT ARM	
37	56305644	1	PROP SUPPORT WELDMENT	
38	56305834	1	Dichtung	
39	56344168	1	Filter	
40	56456797	1	Schlauchschelle	
41	56900737	15	UNTERLAGSSCHEIBE	
42	56002836	1	NUT HEX NY LOC SS 10-24	
43	56009205	1	U-Scheibe	
44	56002917	1	Schraube FLT PHIL SS10-24	
45	56303383	1	CAP RECOVERY VAC TUBE	
46	56303393	1	Abluftkappe	

## Part Notes:

- [1] - items 1-41  
NO LONGER AVAILABLE
- [2] - TSBUS2005-875
- [3] - SEE PI 2017-002
- [4] - items 42-46
- [5] - TSBUS2006-920
- [6] - EXPIRED NO REPLACEMENT
- [7] - Optional, not included
- [8] - TSBUS2008-985 - not shown
- [9] - TSBUS2008-985

[10] - NO LONGER AVAILABLE



Resource notes:

NOTE 1= If you need to replace an old stainless steel standpipe (56304653) please order Standpipe Kit 56109569.

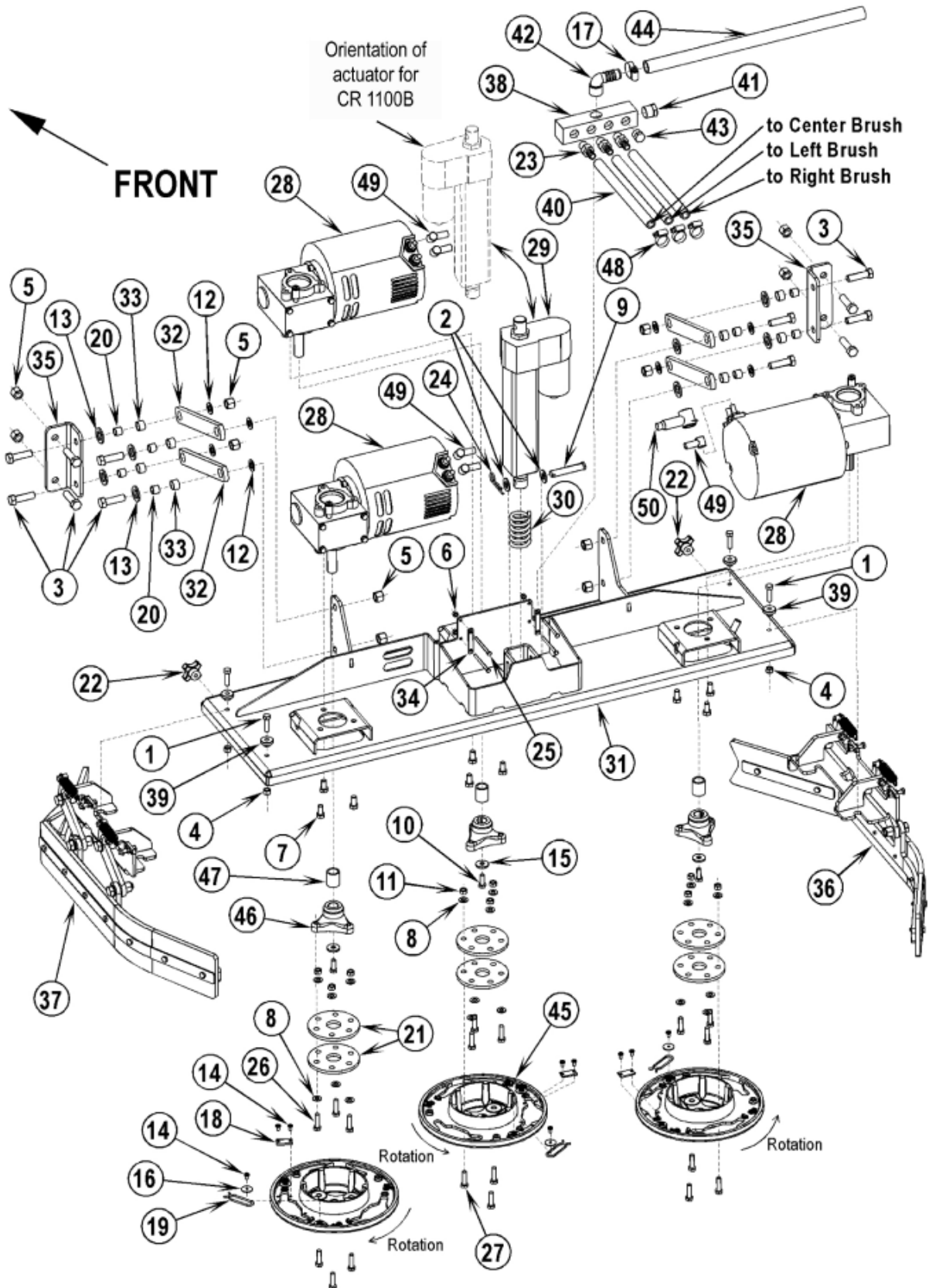
Pos.	Artikel-Nr.	Menge	Variante	Notes
00	56303172	1	Tank kpl.	[1]
00	56478246	2	CABLE TIE E00549 RE438BA	[2]
01	56002395	2	Schraube, FLT-PHIL 5/16	
02	56002883	15	Schraube SS1/4-20x75	
03	56002896	15	Schraube SS10-24X0	
04	56002957	1	Schraube SS 1/4 - 20 X	
05	56003689	8	SCR FLT PHIL SS 5/16-18 X .75	
06	56003742	4	SCR FLT PHIL SS 1/4-20X1.25	
07	56009005	4	Schraube 16x.75	
08	56009120	6	SCR PANPHIL SS TYPEB1/4-14X.62	
09	56002918	8	Unterlegscheibe	
10	56220507	11	Klammer	[3]
11	56206784	1	BUECHSE	
12	56454718	1	DEFLECTOR	
13	56456797	1	Schlauchschelle	
14	56459136	1	Dichtung	
15	56900737	15	UNTERLAGSSCHEIBE	
16	56212236	2	Schlauchbride BR 850	
17	56303180	1	STANDTUBE WELDMENT	
18	56303185	1	SEAL WELDMENT	[4]
19	56303235	1	BRACE RECOVERY TANK	[4]
20	56303317	2	GASKET BULB	
21	56303328	1	SUPPORT WELDMENT	[4]
22	56109568	1	CLAMP MUFFLER	[4]
23	56304483	1	RECOVERY TANK	
24	56109530	1	STANDPIPE RIGHT	[5]
25	56304864	1	Arretierbolzen	
26	56304871	1	Schmutztanksensor	
27	56305005	1	LID RECOVERY TANK	
28	56305977	1	Schwimmerschalter CR 1400	[3]
29	56305054	1	Dichtung	
30	56305060	1	PLATE SEAL SQUEEGEE	
31	56305202	1	PLATE TETHER COVER	
32	56305203	1	GASKET	
33	56003219	2	Mutter Zoll LOC SS 3/8 16	
34	56601411	1	Ablassschlauchdeckel komplBA 755	[6]
34	56601410	1	Abläßschlauch	[7]
34	56381930	1	Ablassschlauch	[8]
35	56344168	1	Filter	
36	56305236	1	SLIDE	
37	56303392	1	Abdeckkappe	[9]
38	56307219	1	Schaumdichtung	[10]
39	56305457	2	CLIP	
40	56002910	2	"Scheibe 3/8""	
41	56002836	1	NUT HEX NY LOC SS 10-24	
42	56009205	1	U-Scheibe	
43	56002917	1	Schraube FLT PHIL SS10-24	
44	56303383	1	CAP RECOVERY VAC TUBE	
45	56303393	1	Abluftkappe	
46	56109532	1	PLATE STANDPIPE	

## Part Notes:

- [1] - items 1-40  
SEE PI 2017-002
- [2] - Not shown
- [3] - TSBUS2005-875
- [4] - SEE PI 2017-002
- [5] - NOTE 1
- [6] - TSBUS2008-985 - not shown



- [7] - Optional, not included
- [8] - TSBUS2008-985  
EXPIRED USE 56383259
- [9] - items 41-45
- [10] - TSBUS2006-920

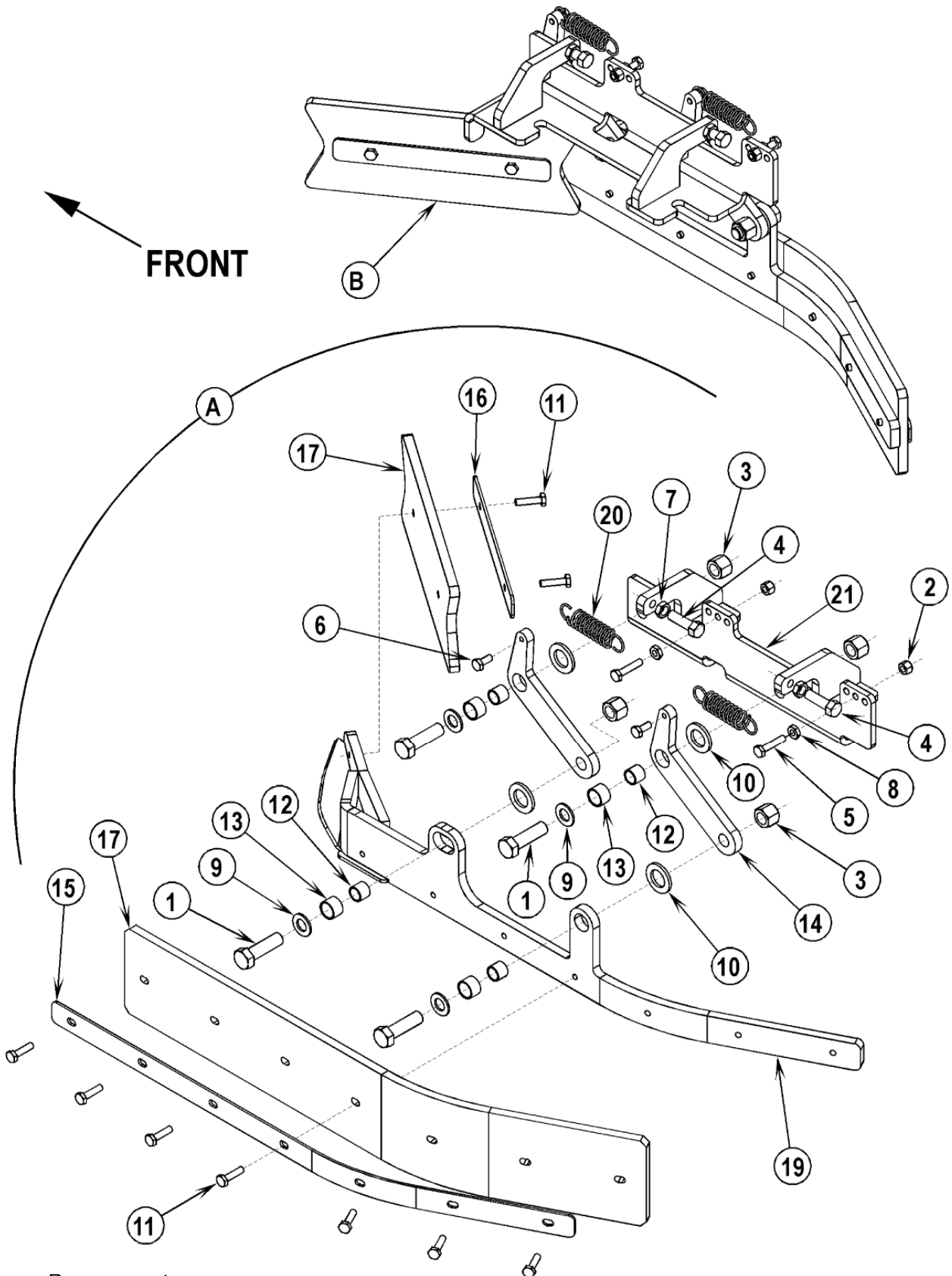


Pos.	Artikel-Nr.	Menge	Variante	Notes
01	56001834	4	Schraube 5/16-18 x 1,25	
02	56001879	2	U-SCHEIBEN	
03	56001995	12	Schraube 1/2-13 x 1.75	
04	56002701	4	MUTTER 5-16-18 HEX JAM	
05	56002770	12	Mutter 1/2 - 13	
06	56002836	4	NUT HEX NY LOC SS 10-24	
07	56002885	9	SCR HEX HD SS 3/8-16X0	
08	56002938	18	WSH FLT SAE SS 5/16	
09	56003207	1	CLEVIS PIN	
10	56003372	3	Schraube PAN PHIL M3,5	
11	56003405	9	Stopmutter M8 Inox	
12	56009017	8	WSH FLT HARDEN 516x938x75	
13	56009022	8	Scheibe-U	
14	56009030	9	Schraube 10-2	
15	56009057	3	WSHFLTHARD.344x1.000x	
16	56009096	3	Scheibe zu BR 1000	
17	56244969	1	Schlauch-Bride	
18	56366455	3	Platte zu BR 1000	
19	56366463	3	SPRING RETAINER CV24C	
20	56367206	8	BUCHSE	
21	56383238	6	BRUSH DRIVE DISC	
22	56407303	2	Rändelmutter	
23	56412184	3	"Nippel 1/2""	
24	56003222	1	"Splint 0.125"" x 0.5""	
25	56003131	4	SCR HEX SS 10-24 X 2.50	
26	56003278	9	SCR HEX LOC SS M8 1.25 X 30MM	
27	56003639	9	Schraube HEX SSM8-1,25x30	
28	56303419	4	Kohlebürste	[1]
28	56303444	1	SPRING BRUSH	[1]
28	56303083	3	GEARMOTOR ASSEMBLY	
29	56303095	1	Hebe-/Senkmotor	
30	56303106	1	COMPRESSION SPRING	
31	56303428	1	DECK 43 SCRUB WELDMENT	[2]
31	56303335	1	DECK WELDMENT 48	[3]
32	56111931	4	ARM-PARALLEL 7,5IN	
33	56304586	8	Lager 750x625x500	
34	56304601	2	Platte	
35	56304605	2	Haltewinkel Bürstendeck	
36	56304988	1	Seitenspritzschutz kompl. rechts	[4]
37	56304998	1	Seitenspritzschutz kompl. links	[4]
38	56305090	1	MANIFOLD SOLUTION	
39	56305258	4	MOUNTING LUGS	
40	56303395	3	Schlauch 750x31	[5]
40	56303423	3	Spiralschlauch	[6]
41	56305464	1	PLUG PIPE E00040	
42	56305545	1	Bogen 90 Grad	
43	56305547	1	PLUG PIPE E00040	
44	56303394	1	HOSE SPIRAL .750 X 25	
45	56314030	3	Bürstenhalter BA 650	
46	56314108	3	Bürstenflansch BR 1300/S	
47	56314109	3	Distanzstück	
48	56112771	3	CLAMP HOSE SAE 10	
49	56492305	5	Schutzmanchette	
50	56493357	1	INSULATOR TERMINAL	

## Part Notes:

- [1] - Not shown  
 [2] - CR 1100  
 SEE PI 2017-002

- [3] - CR 1200  
SEE PI 2017-002
- [4] - see Scrub system skirt-assemblies
- [5] - CR 1200
- [6] - CR 1100



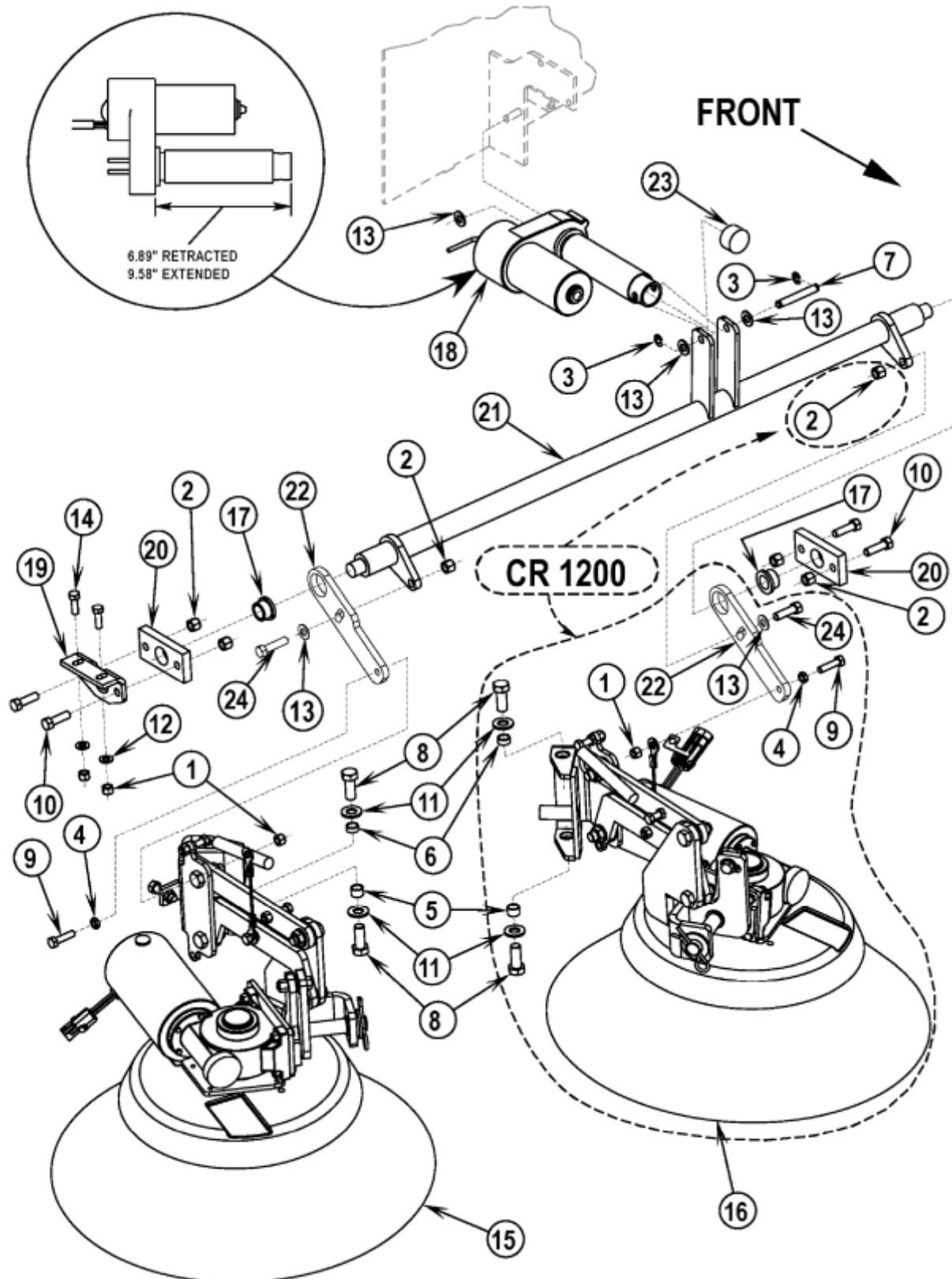
Resource notes:

NOTE: All quantities are for ONE side skirt assembly only. There are two side skirt assemblies on the machine.

Pos.	Artikel-Nr.	Menge	Variante	Notes
00	56305685	1	Seitenschürzenset, Neopren	[1]
01	56001995	4	Schraube 1/2-13 x 1.75	
02	56002491	2	Stopmutter 1/4-20	
03	56002770	4	Mutter 1/2 - 13	
04	56001858	2	SCR HEX 3/8 16 X 1.25	
05	56002901	2	SCHRAUBE 1/4-20X 1-1/2SS	
06	56002922	2	SCR HEX LOC 1/4-20 X .62	
07	56002769	2	Stopmutter 3/8-16	
08	56003145	2	Nut 1/4 20	
09	56009017	4	WSH FLT HARDEN 516x938x75	
0A	56304998	1	Seitenspritzschutz kompl. links	[2]
0B	56304988	1	Seitenspritzschutz kompl. rechts	[2]
10	56009022	4	Scheibe-U	
11	56009054	9	Schraube 1/4 - 20x1	
12	56367206	4	BUCHSE	
13	56304586	4	Lager 750x625x500	
14	56304993	2	Hebel	
15	56304994	1	Halter für Seitengummi	
16	56304995	1	Befestigungsschiene f.	
17	56305697	1	Seiten Gummi-Set, rot	[1]
19	56304999	1	Halterung f. Seiten-	[3]
19	56304989	1	Seitenschutz rechts	[4]
20	56305253	2	Spring, Extension	
21	56305879	1	MOUNT SIDE SKIRT SQUEEGEE WLMT	[3]
21	56305880	1	MOUNT SIDE SKIRT SQUEEGEE WLMT	[4]

## Part Notes:

- [1] - contains 2 long blades and 2 short blades
- [2] - items 1-21
- [3] - 56304998 assy
- [4] - 56304988 assy - Not shown



Resource notes:

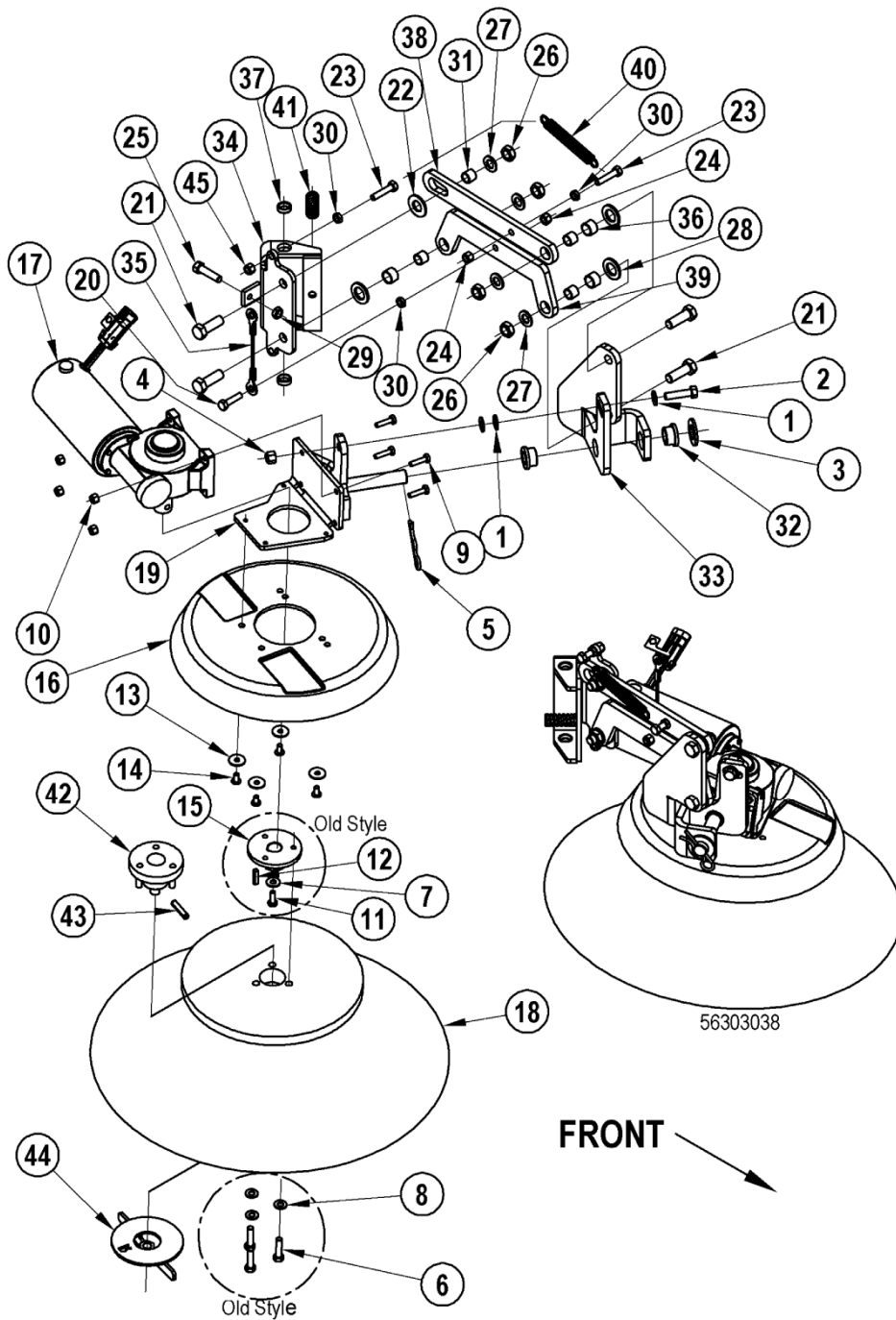
NOTE 1: The design of this part changed as of SN17679145. It is a direct replacement for the previous design except that it requires item 24 and item 13. It should be replaced in a matched pair on CR 1200 models.

Pos.	Artikel-Nr.	Menge	Variante	Notes
01	56002701	4	MUTTER 5-16-18 HEX JAM	
02	56002769	6	Stopmutter 3/8-16	
03	56003262	2	Ring	
04	56009086	2	NUT, HEX JAM 5/16-18	
05	56360627	2	Büchse	
06	56365030	2	BUSHING CA334D	
07	56412088	1	Bolzen zu BR 700	
08	56001831	4	Schraube 1/2-13X1,25	
09	56001834	2	Schraube 5/16-18 x 1,25	
10	56002095	4	Schraube 3/8-16 X 1.50	[1]
11	56001879	4	U-SCHEIBEN	
12	56001939	2	Flachdichtung 5/16	
13	56002063	3	"U-Scheibe 3/8""	[2]
14	56002221	2	SCR HEX HD 5/16-18 X 1.00	
15	56303037	1	Seitenbesen, rechts kpl.	
16	56303038	1	Seitenbesen, links kpl.	[3]
17	56303071	2	Hülse	
18	56303119	1	Spindelmotor	[4]
19	56305080	1	Platte	
20	56305091	2	Platte	
21	56305442	1	LIFTER SHAFT WELDMENT	
22	56305470	2	ARM SIDE BROOM LIFT	[5]
23	56305798	1	Schaumstoffdichtung	
24	56002095	2	Schraube 3/8-16 X 1.50	[6]

## Part Notes:

- [1] - qty of 6 before SN1767915  
EXPIRED USE 56002747
- [2] - Qty of 3 before SN1767915
- [3] - CR 1200B
- [4] - SEE PI 2017-002
- [5] - Qty of 1 on CR 1100 models - NOTE 1
- [6] - used after SN1767914  
EXPIRED USE 56002747

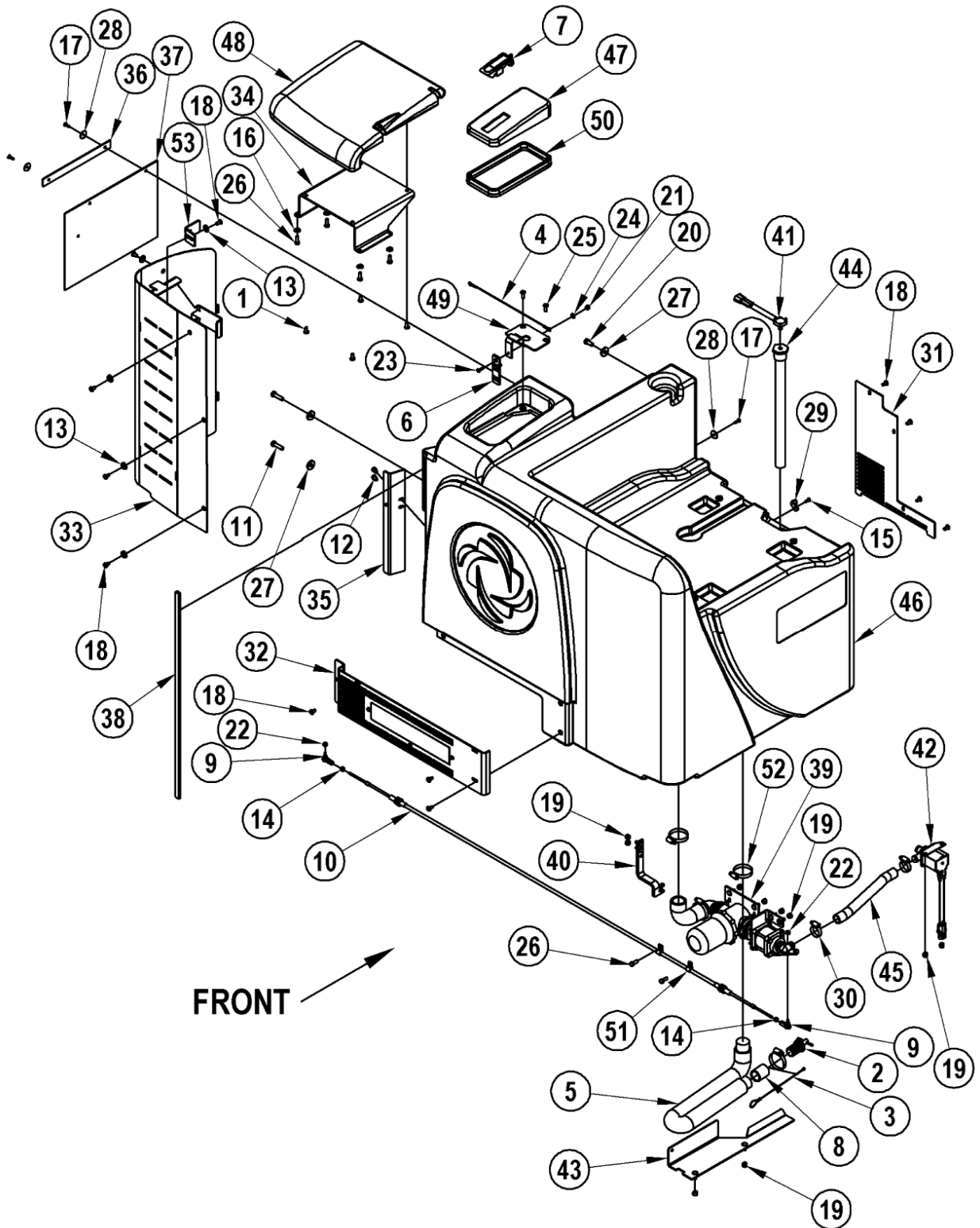




Pos.	Artikel-Nr.	Menge	Variante	Notes
	56303037	1	Seitenbesen, rechts kpl.	[1]
	56303038	1	Seitenbesen, links kpl.	[2]
01	56002063	3	"U-Scheibe 3/8""	
02	56002095	1	Schraube 3/8-16 X 1.50	[3]
03	56002141	1	WSH FLT SAE 3/4	
04	56002769	1	Stopmutter 3/8-16	
05	56003223	1	"Splint 0.148"" x 0.62""	
	56303256	1	SIDE BROOM ASSY/GEARMOTOR LEFT	[4]
	56303258	1	SIDE BROOM ASSY/GEARMOTOR RT.	[4]
06	56001834	3	Schraube 5/16-18 x 1,25	[5]
07	56001906	1	WSH FLT CUT 1/4	[5]
08	56001939	3	Flachdichtung 5/16	[5]
09	56002093	4	SCR HEX HD 1/4-20 X 1.00	
10	56002708	4	Stopmutter 1/4-20	
11	56002948	1	Schraube 1/4-20 X .75	[5]
12	56003239	1	KEY, SQ 19 x 1.00	[5]
13	56009002	4	UNTERLEGSCHIEBE, FLACH	
14	56009069	4	"Zollschraube 1/4"" 20x50"	
15	56416023	1	Bürstenhalterung	[5]
16	56416538	1	Abdeckung f. Bürste	
17	56303442	1	Motor Seitenbesen rechts	[6]
17	56303443	1	Motor Seitenbesen links	[7]
17	56416578	1	Getriebemotor f.	[8]
17	56410307	1	Bürstenmotor REBR 1100 cxl	[9]
17	56416608	2	Kohlebürste	[10]
18	56462252	1	Seitenbesen PP	
19	56303270	1	Halterung	
19	56303272	1	Halterung f. SB	
	56303259	1	Arm f. Seitenbesen kpl.	[11]
	56303257	1	SIDE BROOM ARM ASSY LEFT	[11]
20	56001834	1	Schraube 5/16-18 x 1,25	
21	56001968	4	Schraube	
22	56002022	1	U-Scheibe	
23	56002094	2	SCR HEX HD 5/16-18 X 1.50	
24	56002701	2	MUTTER 5-16-18 HEX JAM	
25	56002747	1	SCR HEX THD/HD 3/8-16 X 1.50	
26	56002843	4	NUT HEX NYL LOC-THIN1/2-1	
27	56009017	4	WSH FLT HARDEN 516x938x75	
28	56009022	3	Scheibe-U	
29	56002769	1	Stopmutter 3/8-16	
30	56009086	3	NUT, HEX JAM 5/16-18	
31	56367206	4	BUCHSE	
32	56303071	2	Hülse	
33	56303271	1	Verbindung, links	
33	56303269	1	Verbindung, links	
34	56304052	1	Schanier für Seitenbesen	
35	56304126	1	CABLE ASSEMBLY	
36	56304586	3	Lager 750x625x500	
37	56304893	2	Kunststoffbuchse	
38	56305460	1	Halter	
39	56111964	1	ARM-SIDE BROOM LOWER	
40	56448112	1	SPRING EXTENSION	
41	56761327	1	Federsatz Kompl.	
42	56305723	1	Aufnahme f. Seitenbesen	[12]
42	56418543	1	Seitenbesenflansch	[12]
43	56003494	1	Spannstift	[12]
44	56305731	1	Befestigungsmutter f.	[12]
44	56305725	1	Mutter	[12]
45	56002826	1	NUT HEX NYLOC THIN 5/16-1	

## Part Notes:

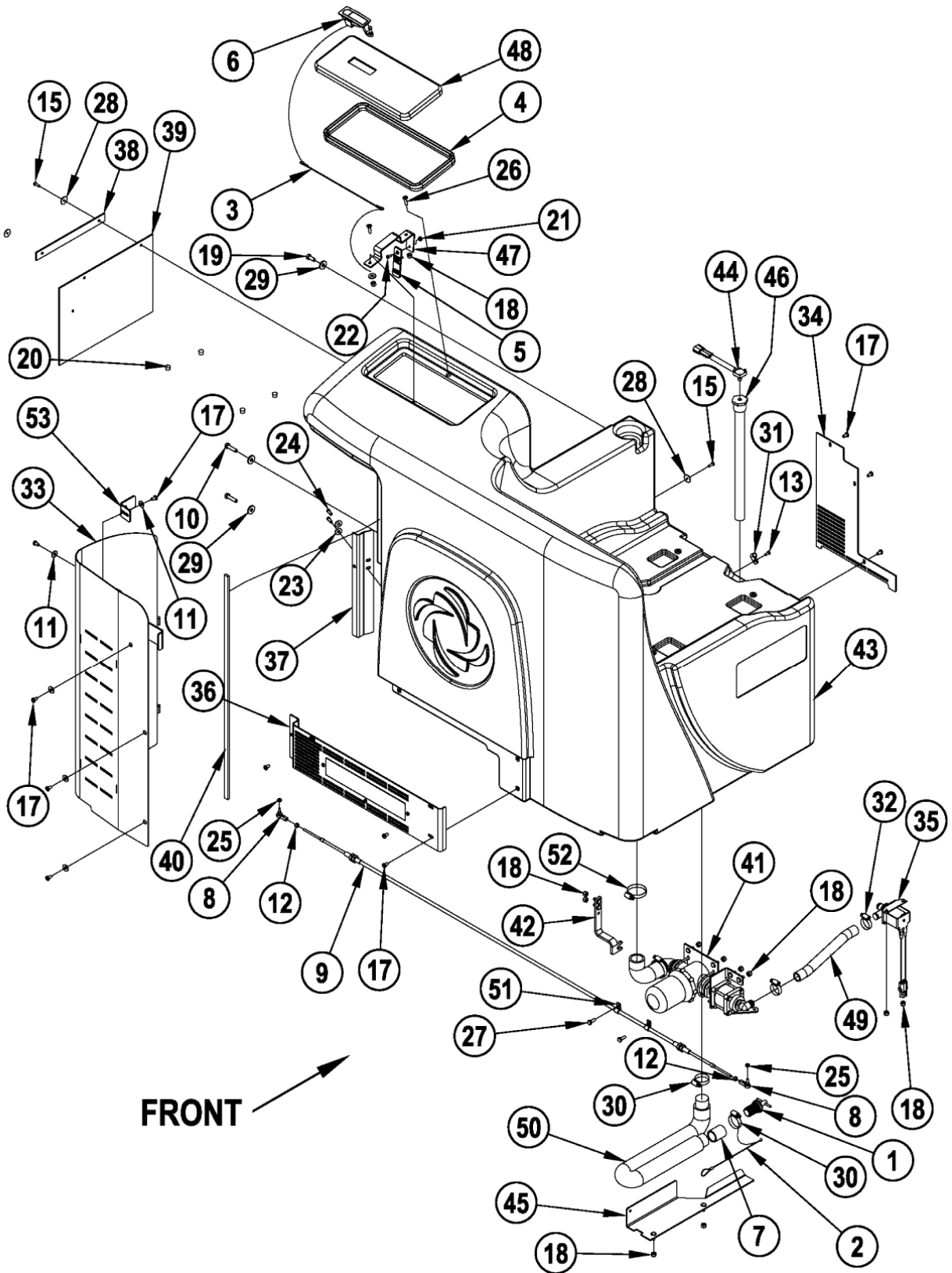
- [1] - items 1-44
- [2] - CR 1200B only - items 1-44
- [3] - EXPIRED USE 56002747
- [4] - items 6-19, 42-44
- [5] - Used on machines built before May 2004.
- [6] - Right  
Used on machines built after April 2004.
- [7] - Left  
Used on machines built after April 2004.
- [8] - Right  
Used on machines built before May 2004.
- [9] - Left  
Used on machines built before May 2004.
- [10] - Not shown  
For item 17, 2 pcs. required per motor
- [11] - items 20-42
- [12] - Used on machines built after April 2004.



Pos.	Artikel-Nr.	Menge	Variante	Notes
01	56009120	4	SCR PANPHIL SS TYPEB1/4-14X.62	
02	56260098	1	ZAPFEN	
03	56261378	1	Drahtseil	
04	56330391	1	Drahtseil zu BR700	
05	56305602	1	Schlauch flex	
06	56412309	1	Füllstandsanzeige	
07	56418471	1	Verschluss zu CR 1300	
08	56459433	1	Sleeve Hose End	
09	56488290	2	ROD END	
10	56488292	1	KABEL	
11	56001834	2	Schraube 5/16-18 x 1,25	
12	56001854	2	SCHRAUBE HEX HD1/4-20X.50	
13	56001906	8	WSH FLT CUT 1/4	
14	56003053	2	NUT, GREER #10-32	
15	56001993	1	SCR PAN HD PHIL 10-24X.50	
16	56002098	4	Scheibe	
17	56002124	3	Schraube10-24 X .62 PNH PH.	
18	56002145	12	Schraube 1/4 20x .50	
19	56002491	10	Stopmutter 1/4-20	
20	56002667	1	Schraube 5/16-18 X.75	
21	56002836	1	NUT HEX NY LOC SS 10-24	
22	56002873	2	Mutter HEX NYL LOC 10-32	
23	56002894	1	SCR PAN PHIL SS 10-24 X .75	
24	56002916	1	WSH FLT SAE SS #10	
25	56002969	2	SCR FLT PHIL SS 1/4-20 X .75	
26	56009018	6	SCHRAUBE 1/4-20X3/4 HP5	
27	56009057	3	WSHFLTHARD.344x1.000x	
28	56009096	3	Scheibe zu BR 1000	
29	56172017	1	P-CLIP E00129	
30	56244969	2	Schlauch-Bride	
31	56303212	1	COVER SOLUTION TANK FRONT	
32	56303358	1	Abdeckplatte	[1]
33	56303391	1	Abdeckung	
34	56303424	1	MOUNT COVER	[1]
35	56303425	1	TAB REAR DOOR	[1]
36	56303446	1	STRAP	[1]
37	56303447	1	COVER	[1]
38	56303466	1	GASKET	[1]
39	56304272	1	Filter zu CR 1200 B	
40	56304681	1	BRACKET CABLE	
41	56305032	1	Füllstandssensor f.	
42	56303275	1	Magnetventil BA755/855	
43	56305195	1	BRACKET SOLUTION DRAIN	
44	56305205	1	Rohrleitung	
45	56392833	1	Schlauch Spiral	
46	56305514	1	TANK SOLUTION 60 GAL	[2]
47	56305522	1	COVER SOLUTION TANK 60 GAL	
48	56305666	1	CORNER COVER	
49	56305802	1	PLATE FILL VALVE	
50	56305812	1	Dichtung	
51	56323260	2	Kabelbriede zu BR 1000	
52	56329145	3	BRIEDE	
53	56303396	1	TAB RETAINER	

## Part Notes:

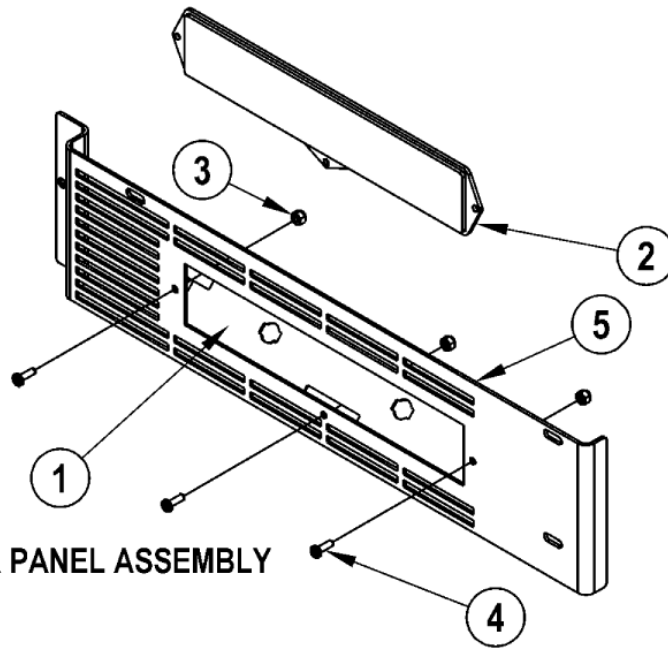
- [1] - SEE PI 2017-002  
 [2] - NO LONGER AVAILABLE



Pos.	Artikel-Nr.	Menge	Variante	Notes
01	56260098	1	ZAPFEN	
02	56261378	1	Drahtseil	
03	56330391	1	Drahtseil zu BR700	
04	56407282	1	Dichtung	
05	56412309	1	Füllstandsanzeige	
06	56418471	1	Verschluss zu CR 1300	
07	56459433	1	Sleeve Hose End	
08	56488290	2	ROD END	
09	56488292	1	KABEL	
10	56001834	2	Schraube 5/16-18 x 1,25	
11	56001906	8	WSH FLT CUT 1/4	
12	56001987	2	NUT, HEX MACHINE 10-32	
13	56001993	1	SCR PAN HD PHIL 10-24X.50	
15	56002124	3	Schraube10-24 X .62 PNH PH.	
17	56002145	11	Schraube 1/4 20x .50	
18	56002491	12	Stopmutter 1/4-20	
19	56002667	1	Schraube 5/16-18 X.75	
20	2-00-05283	4	Stopfen .44 ¥ Bohrung	[1]
21	56002849	1	NUT HEX NYL LOC-THIN SS10	
22	56002900	1	Schraube PAN PHIL 10-25x.	
23	56002914	3	WSH FLT STD SS 1/4	
24	56003047	2	SCR HEX SS 1/4-20 X .62	
25	56003053	2	NUT, GREER #10-32	
26	56003074	2	Schraube FLT PHIL SS	
27	56009018	2	SCHRAUBE 1/4-20X3/4 HP5	
28	56009096	3	Scheibe zu BR 1000	
29	56009122	3	Unterlegscheibe	
30	56131601	2	CLAMP HOSE SAE 16 E00047	
31	56172017	1	P-CLIP E00129	
32	56244969	2	Schlauch-Bride	
33	56303203	1	Rückseitige Abdeckung	
34	56303212	1	COVER SOLUTION TANK FRONT	
35	56303275	1	Magnetventil BA755/855	
36	56303358	1	Abdeckplatte	[1]
37	56303359	1	TAB DOOR	[1]
38	56303446	1	STRAP	[1]
39	56303447	1	COVER	[1]
40	56303464	1	GASKET	
41	56304272	1	Filter zu CR 1200 B	
42	56304681	1	BRACKET CABLE	
43	56304834	1	TANK SOLUTION	
44	56305032	1	Füllstandssensor f.	
45	56305195	1	BRACKET SOLUTION DRAIN	
46	56305205	1	Rohrleitung	
47	56305206	1	PLATE LATCH	
48	56305209	1	COVER SOLUTION TANK	
49	56392833	1	Schlauch Spiral	
50	56305602	1	Schlauch flex	
51	56323260	2	Kabelbride zu BR 1000	
52	56329145	1	BRIEDE	
53	56303396	1	TAB RETAINER	

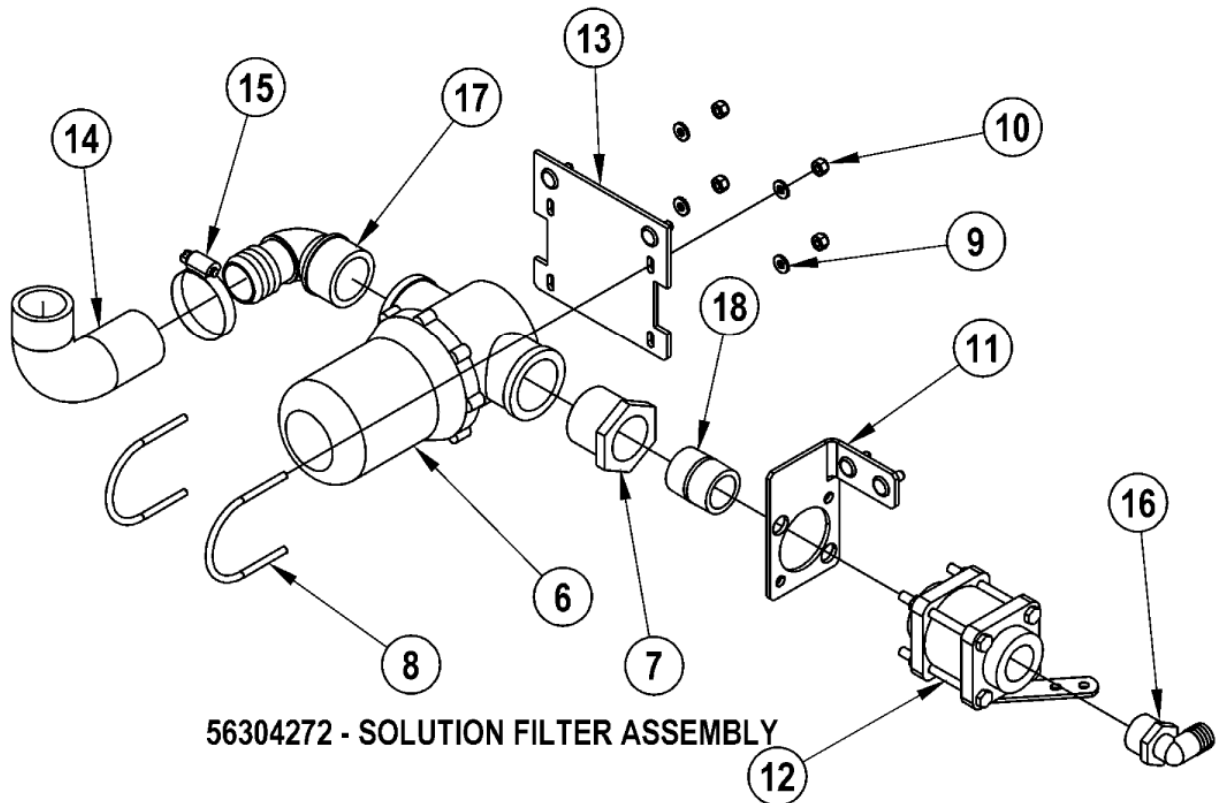
## Part Notes:

[1] - SEE PI 2017-002



56303358 - REAR PANEL ASSEMBLY

FRONT →



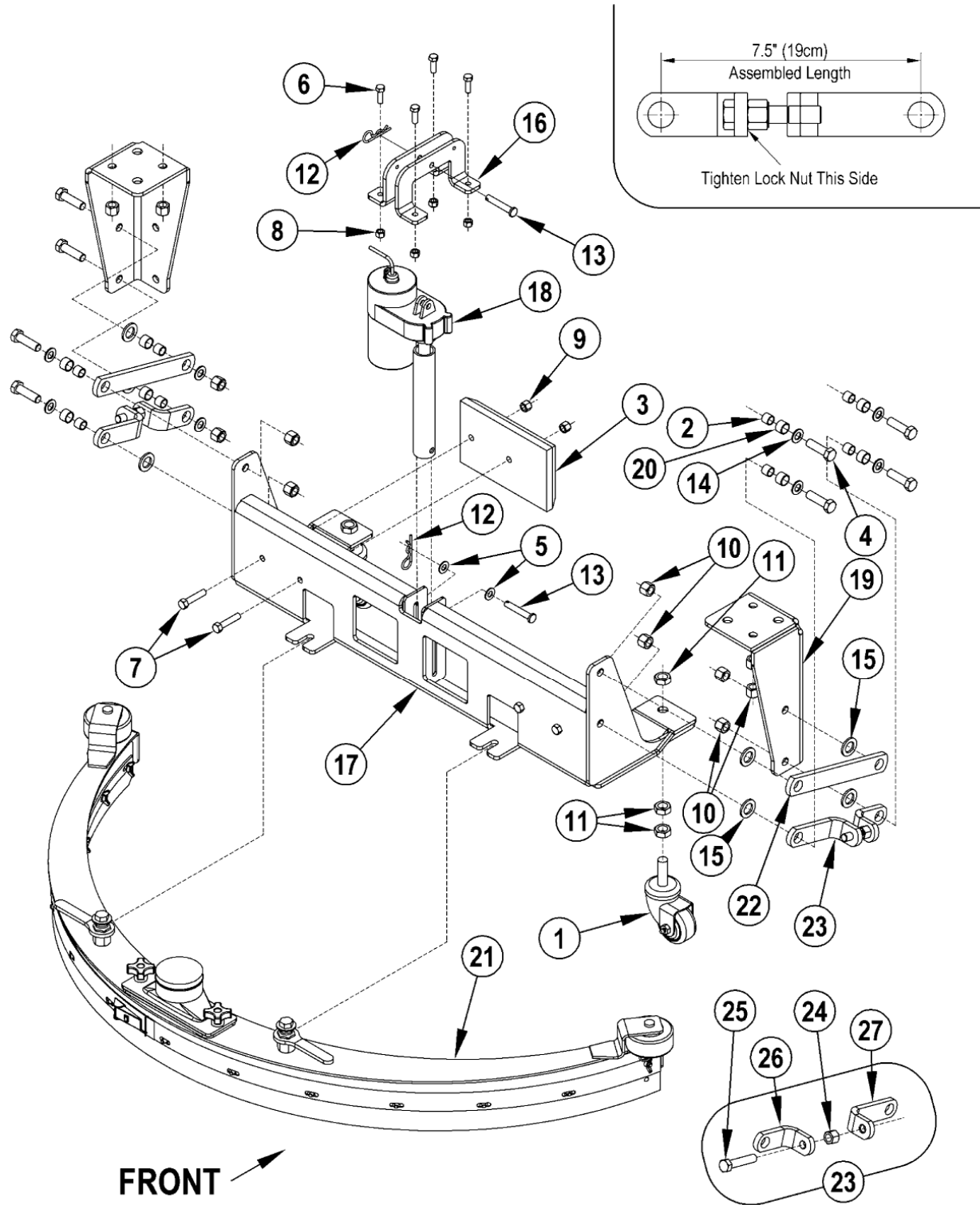
56304272 - SOLUTION FILTER ASSEMBLY



Pos.	Artikel-Nr.	Menge	Variante	Notes
	56303358	1	Abdeckplatte	[1]
01	56016097	1	Reflektor	
02	56416418	1	LENS TAIL LIGHT	
03	56002768	3	1/4-20 NYLOC NUT	
04	56009100	3	SCR PANPHILT HD BLK 10-24	
05	56304272	1	Filter zu CR 1200 B	
05	56303357	1	DOOR WELDMENT REAR	[1]
06	56455838	1	Nylon Sieb	[2]
06	56456241	1	Filtergehäuse	
07	56459825	1	Reduzierung	
08	56459830	2	U-BOLT	
09	56001954	4	WSH FLT SAE 10	
10	56002768	4	1/4-20 NYLOC NUT	
11	56304260	1	BRACKET	
12	56304275	1	Ventil m. Griff	
13	56305114	1	BRACKET FILTER	
14	56305319	1	Kühlerschlauch	
15	56329145	1	BRIEDE	
16	56456802	1	Winkelracor	
17	56900913	1	Winkelanschluß 1 1/4	
18	56900914	1	Nippel	

## Part Notes:

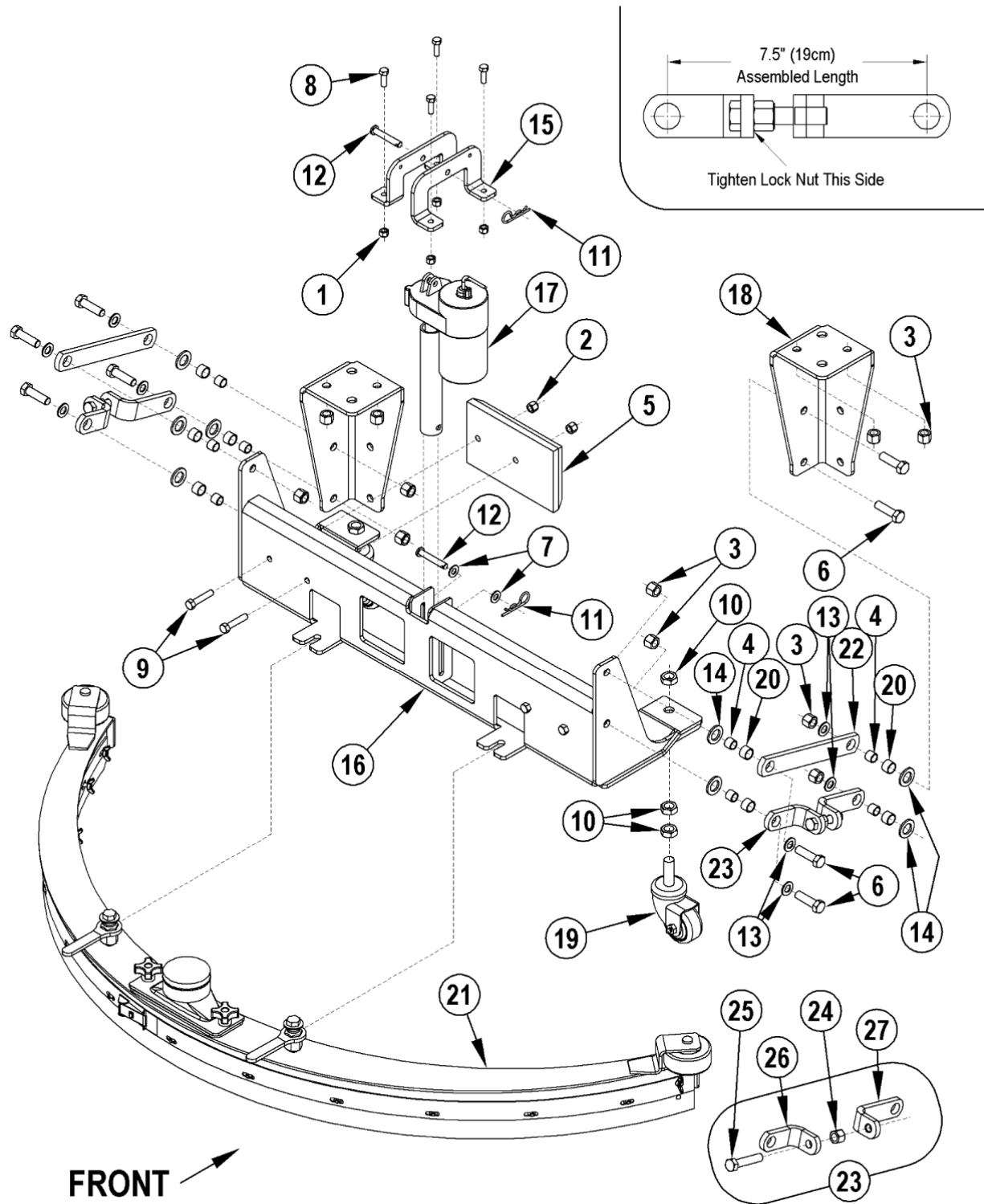
- [1] - SEE PI 2017-002  
[2] - Not shown



Pos.	Artikel-Nr.	Menge	Variante	Notes
01	56304266	2	Stützrolle CR 1400	
02	56367206	8	BUCHSE	
03	56453907	2	WEIGHT CASTING	
04	56001995	8	Schraube 1/2-13 x 1.75	
05	56002063	2	"U-Scheibe 3/8""	
06	56002221	4	SCR HEX HD 5/16-18 X 1.00	
07	56002684	4	SCR HEX HD 3/8-16x1,75	
08	56002701	4	MUTTER 5-16-18 HEX JAM	
09	56002769	4	Stopmutter 3/8-16	
10	56002770	12	Mutter 1/2 - 13	
11	56003272	6	Mutter 5/8-11	
12	56003222	2	"Splint 0.125"" x 0.5""	
13	56003656	2	"Bolzen 0.375"" x 2.25""	
14	56009017	8	WSH FLT HARDEN 516x938x75	
15	56009022	8	Scheibe-U	
16	56303117	2	Haltebügel	
17	56303174	1	Saugfusshalter CR 1200	
18	56303360	1	Spindelmotor SaugfussCR 1200	
19	56304157	2	Halter CR 1200	
20	56304586	8	Lager 750x625x500	
21	56303459	1	Absaugleiste kpl. f.	[1]
22	56305467	2	Schwenkarm CR 1200	[2]
23	56305610	2	Saugfussarm CR 1400	[3]
24	56002773	1	MUTTER 1/2-20	
25	56003672	1	SCR THD TO HD 1/2-20X2.50 GR 8	
26	56305608	1	Halterung, justierbar	
27	56305609	1	Halterung	

## Part Notes:

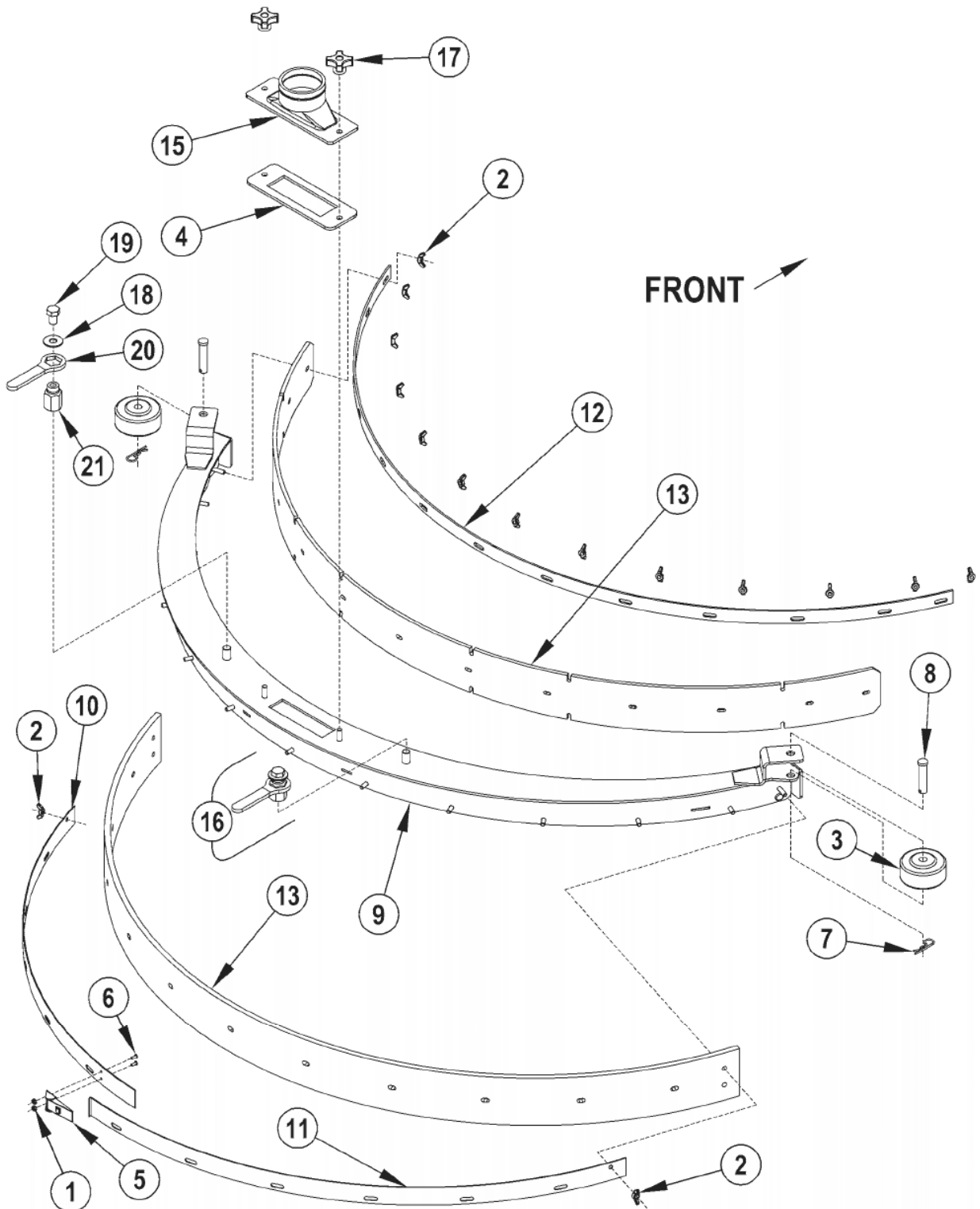
- [1] - see Squeegee Assembly
- [2] - EXPIRED USE 56111931
- [3] - Items 24-27



Pos.	Artikel-Nr.	Menge	Variante	Notes
01	56002701	4	MUTTER 5-16-18 HEX JAM	
02	56002769	4	Stopmutter 3/8-16	
03	56002770	12	Mutter 1/2 - 13	
04	56367206	8	BUCHSE	
05	56453907	2	WEIGHT CASTING	
06	56001995	8	Schraube 1/2-13 x 1.75	
07	56002063	2	"U-Scheibe 3/8""	
08	56002221	4	SCR HEX HD 5/16-18 X 1.00	
09	56002684	4	SCR HEX HD 3/8-16x1,75	
10	56003272	6	Mutter 5/8-11	
11	56003222	2	"Splint 0.125"" x 0.5""	
12	56003656	2	"Bolzen 0.375"" x 2.25""	
13	56009017	8	WSH FLT HARDEN 516x938x75	
14	56009022	8	Scheibe-U	
15	56303117	2	Haltebügel	
16	56303174	1	Saugfusshalter CR 1200	
17	56303360	1	Spindelmotor SaugfussCR 1200	
18	56304157	2	Halter CR 1200	
19	56304266	2	Stützrolle CR 1400	
20	56304586	8	Lager 750x625x500	
21	56303460	1	Saugbalken kompl.CR 1200	[1]
22	56305467	2	Schwenkarm CR 1200	[2]
23	56305610	2	Saugfussarm CR 1400	[3]
24	56002773	1	MUTTER 1/2-20	
25	56003672	1	SCR THD TO HD 1/2-20X2.50 GR 8	
26	56305608	1	Halterung, justierbar	
27	56305609	1	Halterung	

## Part Notes:

- [1] - see Squeegee Assembly
- [2] - EXPIRED USE 56111931
- [3] - Items 24-27



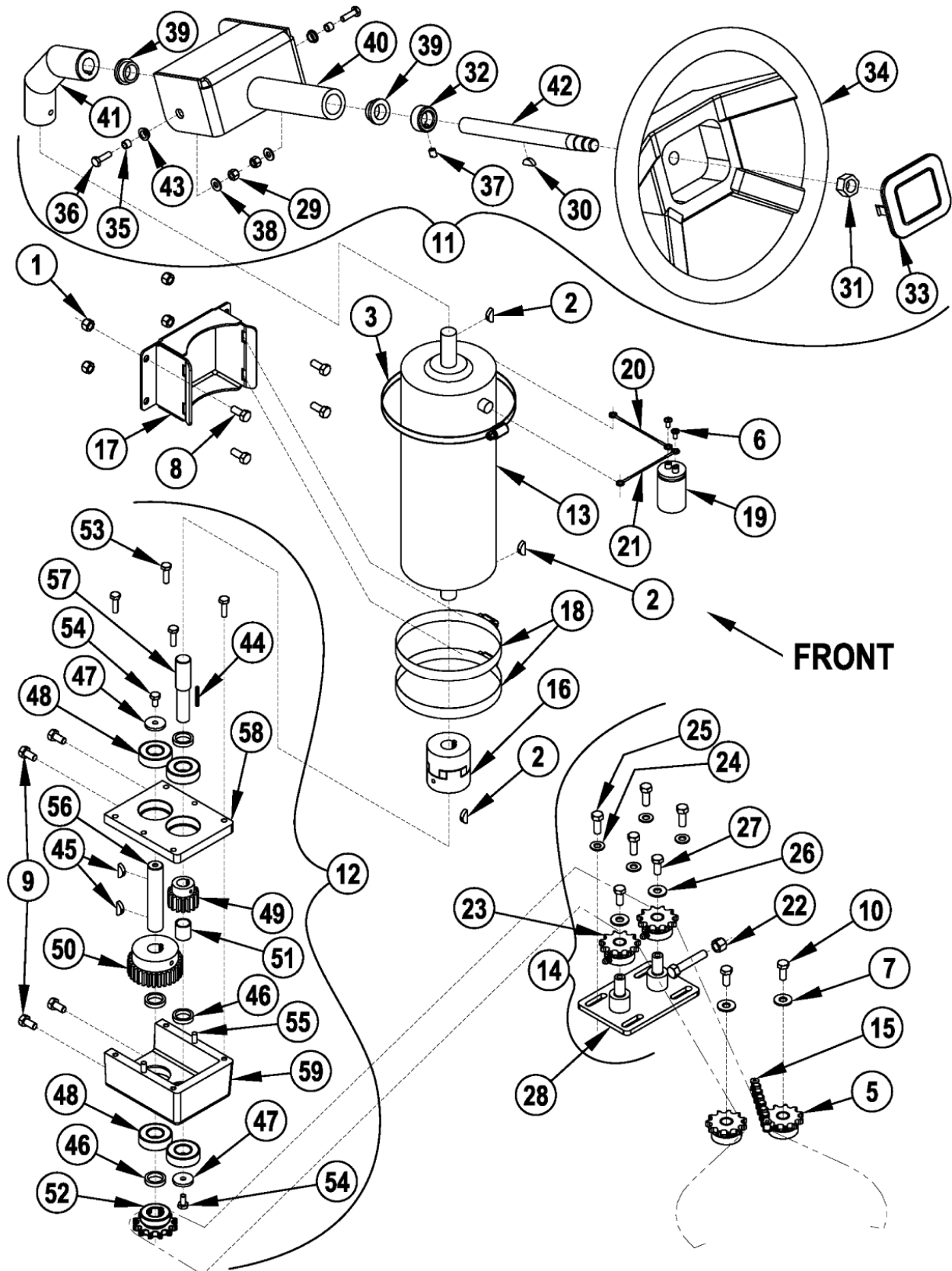
Resource notes:

NOTE 1.: All squeegee blade kits include both front and rear squeegee blades.

Pos.	Artikel-Nr.	Menge	Variante	Notes
00	56303562	1	POLYURET SQUEEGEE BLADE 43 KIT	[1]
00	56303459	1	Absaugleiste kpl. f.	[2]
00	56303469	1	4300B NEOPRENE BLADE KIT	[3]
00	56303460	1	Saugbalken kompl.CR 1200	[4]
00	56303564	1	POLYURET SQUEEGEE BLADE 48 KIT	[5]
00	56303470	1	4800B NEOPRENE BLADE KIT	[5]
01	56002964	2	NUT HEX NYL LOC THINSS6-32	
02	56009048	15	FLUEGELMUTTER 1/4-20Ersetzt durch: 56003	
03	56386127	2	Rad	
04	56459281	1	Dichtung zu 2052G	
05	56471194	1	Klemme	
06	56002909	2	SCR PAN PHL SS6-32X38	
07	56003120	2	Vorstecker	
08	56003620	2	Bolzen	
09	56304937	1	43 SQUEEGEE WELDMENT	[2]
09	56304953	1	Halterung f. Absaugleiste	[4]
10	56305808	1	Halteband 43" f. Lasche	[2]
10	56304962	1	Metallschiene, links	[4]
11	56305807	1	Halteband 43" f. Lasche	[2]
11	56304963	1	Metallschiene, rechts f.	[4]
12	56305806	1	STRAP FRONT BLADE	[2]
12	56304964	1	Halteband f. Absaugleiste	[4]
13	56303471	1	Absaugleisten-Set, Gummi, rot	[6]
13	56303472	1	Absaugleisten-Set, Gummi, rot	[7]
15	56305373	1	Stutzen Saugbalken CR1400	
16	56305616	2	Halterung	[8]
17	56407510	2	Drehknopf	
18	56002168	1	WSH FLT CUT 1/2	
19	56003032	1	Schraube 13x.75	
20	56305614	1	Handkurbel	
21	56305615	1	Mutter HEX	

## Part Notes:

- [1] - CR 1100 - NOTE 1 - Optional
- [2] - CR 1100
- [3] - CR 1100 - NOTE 1 - Optional  
STOCK COVERS GUARANTEE
- [4] - CR 1200
- [5] - CR 1200 - NOTE 1 - Optional
- [6] - CR 1100 - contains both front and rear blades
- [7] - CR 1200 - contains both front and rear blades
- [8] - items 18-21



Resource notes:

NOTE 1: Shaft 56303102 is obsolete and replaced by 56380447. When replacing 56303102 with 56380447 you will also need to order Key 56003793 to replace Key 56003226. NOTE 2: Gearbox 56303072 is no longer available and replaced in production by 56380401 as of serial #203376. Please replace 56303072 with the improved gearbox 56380401 rather than servicing 56303072. If you are not sure of your machine's serial # you can identify which unit you have by looking at the sprocket #52. The illustration above shows the difference between the old and new sprocket. NOTE 3: 56303073 is no longer available. If you need to replace 56303073 please order the SBW Steering Kit 56380500.

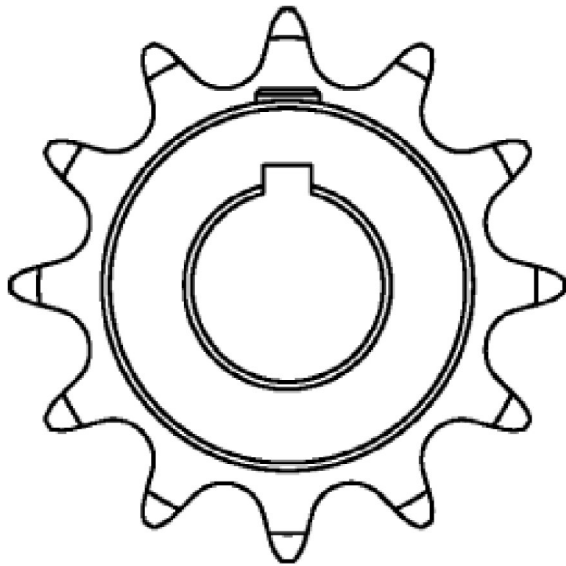


Pos.	Artikel-Nr.	Menge	Variante	Notes
01	56002701	4	MUTTER 5-16-18 HEX JAM	
02	56003228	3	KEY, WDF 606	
03	56355488	1	Schelle	
05	56454079	2	Antriebsritzel	
06	56002001	2	Schraube PAN HD PHIL	
07	56001939	2	Flachdichtung 5/16	
08	56002667	4	Schraube 5/16-18 X.75	
09	56002929	4	SCR HEX HD LOC 5/16-18X	
10	56002956	2	Schraube HEX LOC 5/16-18	
11	56303021	1	STEERING ASSEMBLY	[1]
12	56380401	1	Steuergetriebe	[2]
13	56380500	1	Lenkhilfe Kit	[3]
14	56303108	1	Spannrollenagregat	[4]
15	56303133	1	Kette	
16	56303536	1	COUPLER ASSEMBLY	[5]
16	56303245	1	Kupplung	[6]
16	56002119	1	Schraube 1/4-20x50zu BR 1000	
16	56303244	1	COUPLER ELASTIMER	
16	56303243	1	COUPLER STEERING SHAFT	[7]
16	56303535	1	COUPLER MACHINED	
17	56303247	1	BRACKET POWER STEERING UNIT	[7]
18	56303323	2	CLAMP HOSE HEAVY DUTY	[7]
19	56303337	1	Kondensator	[8]
20	56303351	1	WIRE ASM BLK 18 AWG	[7]
21	56303352	1	WIRE ASM GRN/WHT 18 AWG	[7]
22	56002769	1	Stopmutter 3/8-16	
23	56454079	2	Antriebsritzel	
24	56001939	4	Flachdichtung 5/16	
25	56002037	4	SCR HEX 5/16-18 X .88	
26	56001939	2	Flachdichtung 5/16	
27	56002956	2	Schraube HEX LOC 5/16-18	
28	56303224	1	TENSIONER WELDMENT	
29	56002708	2	Stopmutter 1/4-20	
30	56003228	1	KEY, WDF 606	
31	56003440	1	HEX NUT M16 X 1.5	
32	56367095	1	Ring zu 5015B	
33	7-16-07428	1	COVER-STEERING WHEEL	
34	56418460	1	Lenkrad	
35	56453849	2	BUSHING .26X.37X.28	
36	56001821	2	SCR HEX HD 1/4-20 X .88	
37	56002021	1	5/16-18x3/8 set screw	
38	56002098	2	Scheibe	
39	56303024	2	Lager, FI 1.000x.750x.500	
40	56303027	1	STEERING MOUNT WELDMENT	[7]
41	56303075	1	Gelenkwelle	[6]
41	56303539	1	U-JOINT ASSEMBLY	[5]
42	56303211	1	SHAFT STEERING WHEEL	
43	56304518	2	Lager, FI .500x.375x.188	
44	56003793	1	KEY SQ .12 X 1.12	[9]
45	56003228	2	KEY, WDF 606	
46	56366315	4	SPACER .75X1.0X.208CV21B	
47	56388766	2	WSH FLT ZN .250 E00458	
48	56416038	4	BEARING BALL	[10]
49	56380403	1	GEAR SPUR 12P-14T	
50	56380402	1	GEAR SPUR 12P-32T	
51	56416557	1	SLEEVE	
52	56380404	1	SPRKT CHAIN 40 .5P 10T	
53	56001821	4	SCR HEX HD 1/4-20 X .88	
54	56002948	2	Schraube 1/4-20 X .75	

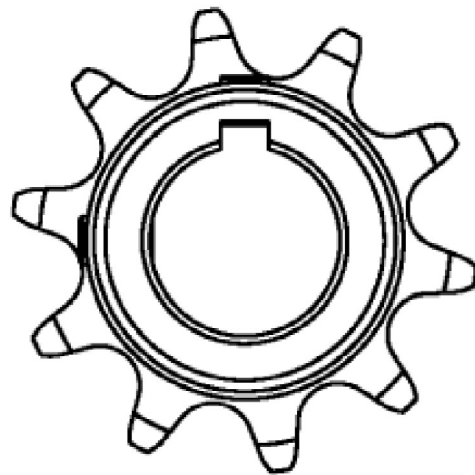
Pos.	Artikel-Nr.	Menge	Variante	Notes
55	56033224	2	ASM HOSE-VAC/SOLUTION	[11]
56	56303101	1	SHAFT STEERING	
57	56380447	1	SHAFT STEERING	[9]
58	56303210	1	COVER STEERING BLOCK	
59	56303246	1	STEERING GEAR MOUNT	

## Part Notes:

- [1] - items 29-43  
SEE PI 2017-002
- [2] - items 44-59 - TSBUS2007-982 NOTE 2  
SEE PI 2017-002
- [3] - NOTE 3 / TSBUS2007-982  
NO LONGER AVAILABLE
- [4] - items 22-28
- [5] - before SN1784445  
SEE PI 2017-002
- [6] - after SN1784444
- [7] - SEE PI 2017-002
- [8] - STOCK COVERS GUARANTEE
- [9] - NOTE 1
- [10] - EXPIRED NO REPLACEMENT
- [11] - EXPIRED ON 03/05/2014



**Bottom sprocket  
on 56303072  
(12 teeth)**



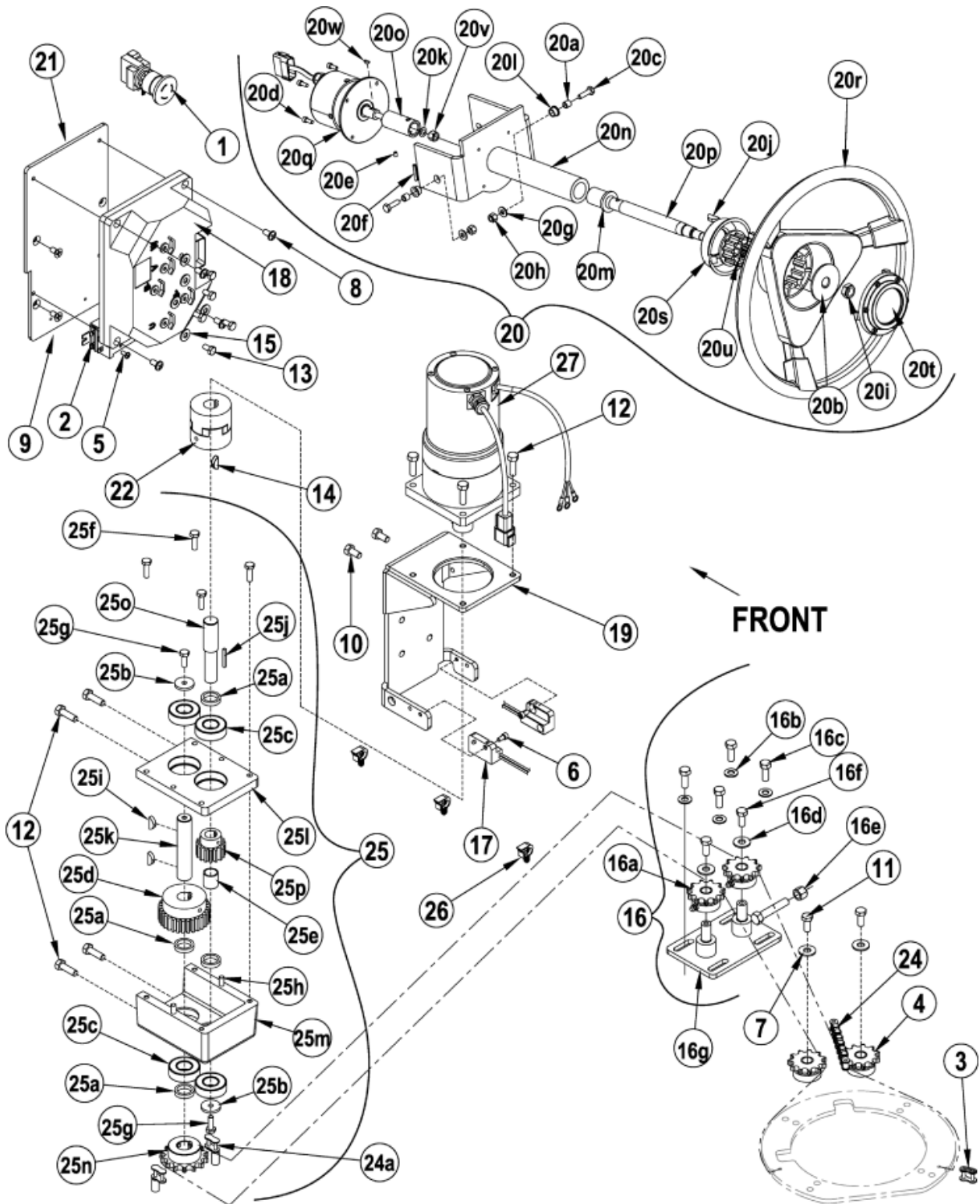
**Bottom sprocket  
on 56380401  
(10 teeth)**

---

Pos.	Artikel-Nr.	Menge	Variante	Notes
00	56380401	1	Steuergetriebe	[1]
			Bottom sprocket 12 teeth - no longer available	

## Part Notes:

[1] - SEE PI 2017-002

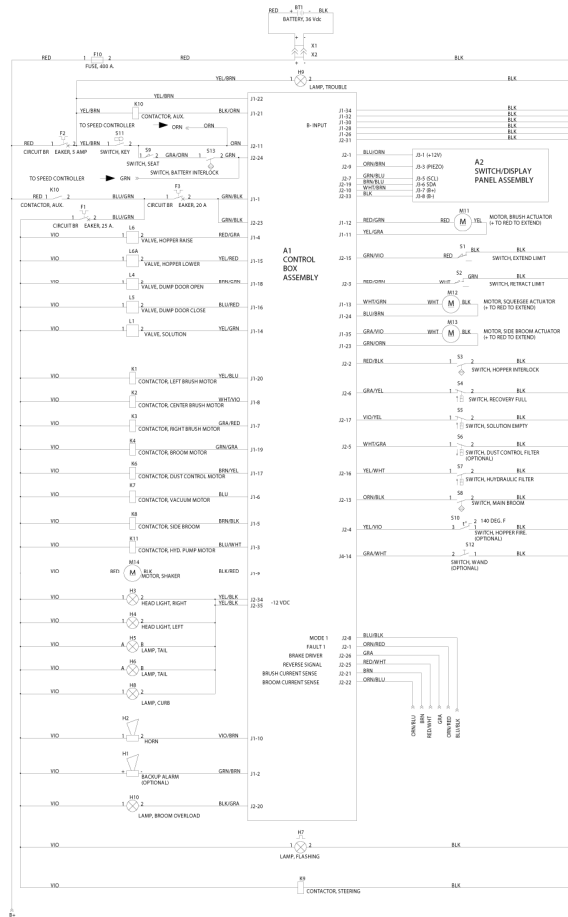


Pos.	Artikel-Nr.	Menge	Variante	Notes
01	56407130	1	Schalter(Notunterbrecher)	[1]
02	56416157	1	Relais SPST	[2]
03	56445096	1	LINK CONNECTOR #40 CV491W	
04	56454079	2	Antriebsritzel	
05	56001818	2	SCR PAN PHIL 8-32 X .38	
06	56002087	2	Schraube SOC HD 10-24 X .38	
07	56002220	2	WSH FLT CUT 5/16	
08	56002828	4	SCR PAN PHIL LOC 1/4-20 X .6	
09	56002921	4	SCR FLT PHIL LOC 1/4-20 x .50	
10	56002929	2	SCR HEX HD LOC 5/16-18X	
11	56002956	2	Schraube HEX LOC 5/16-18	
12	56003073	8	SCR HEX HD LOC S/16-18	
13	56003155	5	Schraube HEX M6 1.0x12mm	
14	56003228	1	KEY, WDF 606	
15	56009064	5	Unterlegscheibe	
16	56303108	1	Spannrollenagregat	
16A	56454079	2	Antriebsritzel	
16B	56001939	4	Flachdichtung 5/16	
16C	56002037	4	SCR HEX 5/16-18 X .88	
16D	56002220	2	WSH FLT CUT 5/16	
16E	56002769	1	Stopmutter 3/8-16	
16F	56002956	2	Schraube HEX LOC 5/16-18	
16G	56303224	1	TENSIONER WELDMENT	
17	56305053	2	Näherungssensor	[3]
18	56510729	1	Lenksteuerung	[4]
19	56380392	1	BRACKET MOTOR	[5]
20	56380395	1	Lenkrad kpl.	[5]
20A	56151106	2	Buchse	
20B	56497542	1	Unterlegscheibe	
20C	56001821	2	SCR HEX HD 1/4-20 X .88	
20D	56001867	4	SCR SOC HD 10-24 X .50	
20E	56002015	1	Madenschraube 10-24x25	
20F	56002082	1	Stift BR 700C	
20G	56002098	2	Scheibe	
20H	56002708	2	Stopmutter 1/4-20	
20I	56002868	1	NUT HEX NYL LOC-THIN 1/2-	
20J	56003228	1	KEY, WDF 606	
20K	56009384	1	WSH FLT .328X.563X.031	
20L	56304554	2	BEARING FLANGE .500X.375X.313	
20M	56380384	1	Lager	
20N	56380387	1	STEERING MOUNT WELDT	[5]
20O	56380388	1	COUPLER STEERING SHAFT	
20P	56380391	1	SHAFT STEERING WHEEL	[5]
20Q	56380405	1	Stelleinheit	[6]
20R	56497306	1	Lenkrad cu CR 1300	
20S	56497308	1	Verschalung Lenkwelle	
20T	56497543	1	CAP	
20U	56497560	1	Adapter	
20V	56003389	1	MutterHEX NYL LOC M8-1.25	
20W	56003804	1	KEY-WDF 3X3.7 DIN 6888	
21	56380407	1	PLATE MOUNT AC DRIVER	[5]
22	56380408	1	Kupplungs Aggregat	[5]
23	56380426	1	STEER BY WIRE HARNESS	[7]
24	56380442	1	Kette	
24A	56380429	2	LINK ASSEMBLY	[8]
25	56380448	1	Lenkgetriebe	[5]
25A	56366315	4	SPACER .75X1.0X.208CV21B	
25B	56388766	2	WSH FLT ZN .250 E00458	
25C	56416038	4	BEARING BALL	[9]

Pos.	Artikel-Nr.	Menge	Variante	Notes
25D	56380498	1	GEAR SPUR	
25E	56416557	1	SLEEVE	
25F	56001821	4	SCR HEX HD 1/4-20 X .88	
25G	56002922	2	SCR HEX LOC 1/4-20 X .62	
25H	56003224	2	PIN DWL STD .25 X 1.25	
25I	56003228	2	KEY, WDF 606	
25J	56003793	1	KEY SQ .12 X 1.12	
25K	56303101	1	SHAFT STEERING	
25L	56303210	1	COVER STEERING BLOCK	
25M	56303246	1	STEERING GEAR MOUNT	
25N	56380398	1	SPROCKET 14 TOOTH	
25O	56380447	1	SHAFT STEERING	
25P	56380480	1	GEAR SPUR	
25P	2-00-00566	1	Fitting Alemite 1610-BL	[7]
26	56507793	3	CLIP CONDUIT	
27	56380406	1	Motor f. Lenkgetriebe 36V	[10]

## Part Notes:

- [1] - S15
- [2] - K13  
EXPIRED USE 40892A
- [3] - S16 / S17
- [4] - A4
- [5] - SEE PI 2017-002
- [6] - E1  
EXPIRED NO REPLACEMENT
- [7] - Not shown
- [8] - Replacement for 56380442
- [9] - EXPIRED NO REPLACEMENT
- [10] - M16



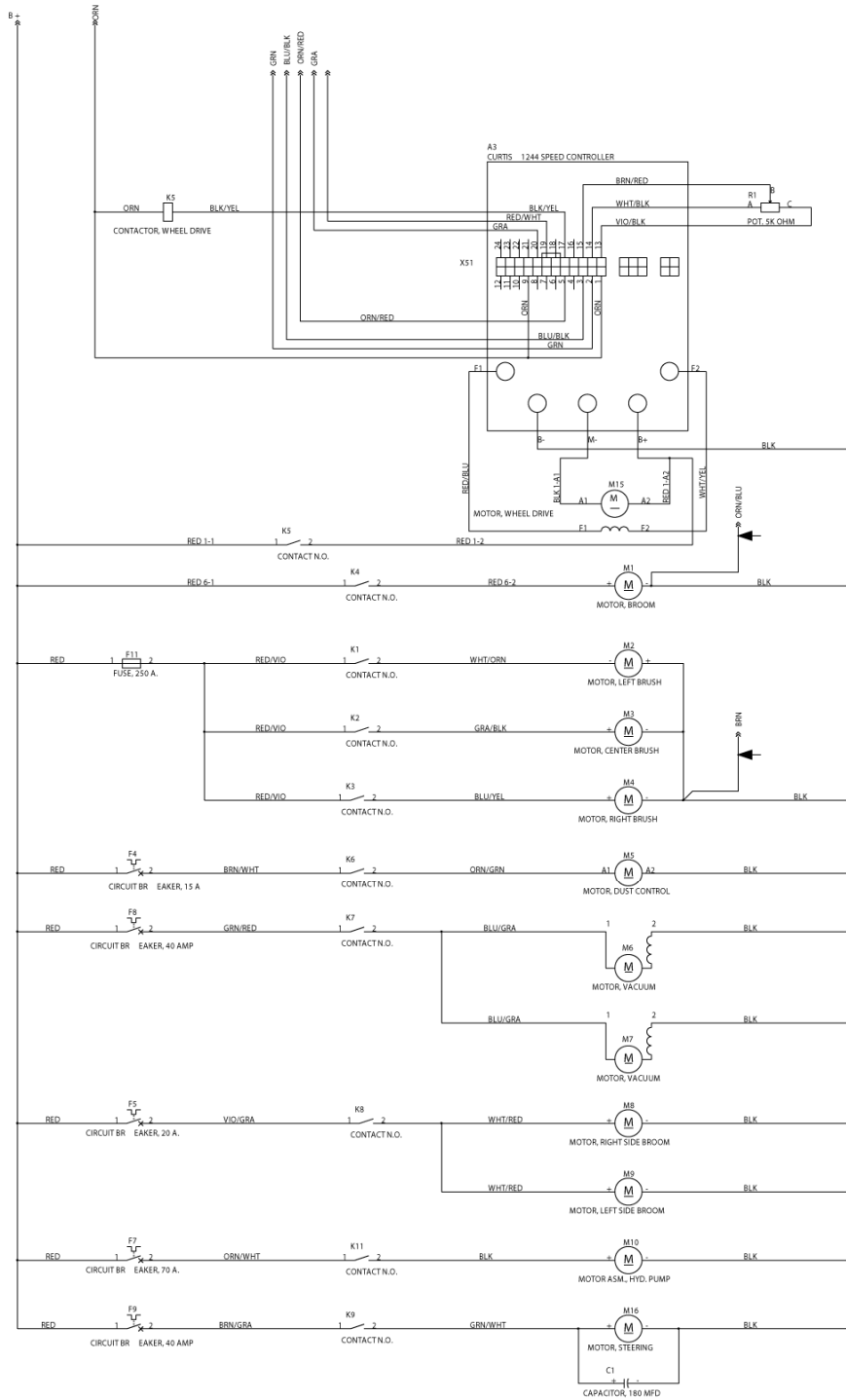


Pos.	Artikel-Nr.	Menge	Variante	Notes
A1	56303201	1	Kontrollbox	[1]
A2	56303374	1	Aggregat	[2]
BT1		1	Battery 36Vdc	[3]
F1	56469788	1	Unterbrecher	[4]
F10	56303297	1	Sicherung 400 A	
F2	56387328	1	Unterbrecher	[5]
F3	56395454	1	Einbausicherung 20 A	[6]
H1		1	Backup 36Vdc	[7]
H10	56303350	1	Kontrollleuchte, rot	[8]
H2	56482365	1	HORN 36V	
H3	56304768	1	Lampe 12V CR 1400	
H3	56304783	1	Leuchtmittel	
H4	56304783	1	Leuchtmittel	
H4	56304768	1	Lampe 12V CR 1400	
H5	56305237	1	Glühlampe	
H6	56305237	1	Glühlampe	
H7		1	Lamp, Flashing - optional	[9]
H8		1	Lamp, Curb - optional	[10]
H9	56303353	1	Glühlampe 36V	[11]
K1	56395450	1	Relais BR 1000	
K10	56395450	1	Relais BR 1000	
K11	56303434	1	Magnetspule 24V	[8]
K2	56395450	1	Relais BR 1000	
K3	56395450	1	Relais BR 1000	
K4	56303198	1	Relais 26V	
K6	56395450	1	Relais BR 1000	
K7	56395450	1	Relais BR 1000	
K8	56395450	1	Relais BR 1000	
K9	56395450	1	Relais BR 1000	
L1	56303275	1	Magnetventil BA755/855	
L4	56303435	1	SOLENOID VALVE ITEM 4	
L5	56305369	1	Steckerventil	
L6	56303437	1	SOLENOID VALVE ITEM 6	[8]
L6A	56303437	1	SOLENOID VALVE ITEM 6	[8]
M11	56303095	1	Hebe-/Senkmotor	
M12	56303360	1	Spindelmotor SaugfussCR 1200	
M13	56303119	1	Spindelmotor	[8]
M14	56467307	1	Rüttelmotor	
S1		1	Switch, Extend limit - not available	[12]
S10	*	1	INFO	
S11	56303554	1	Schlüsselschalter CR1200	[13]
S12	56209321	1	Schalter zu GW 1030	[11]
S13	56305053	1	Näherungssensor	
S2		1	Switch, recovery limit - not available	[14]
S3	56305053	1	Näherungssensor	
S4	56305977	1	Schwimmerschalter CR 1400	[15]
S5	56305032	1	Füllstandssensor f.	
S6		1	Switch, dust control filter - optional	[16]
S7	56418994	1	Öldruckschalter	
S8	56305053	1	Näherungssensor	
S9		1	Switch, seat - not available	[17]

## Part Notes:

- [1] - STOCK COVERS GUARANTEE
- [2] - EXPIRED NO REPLACEMENT
- [3] - Battery 36Vdc
- [4] - AUXILIARY CIRCUIT 1
- [5] - AUXILIARY CIRCUIT 2
- [6] - AUXILIARY CIRCUIT 3

- [7] - Backup 36Vdc
- [8] - SEE PI 2017-002
- [9] - Lamp, Flashing - optional
- [10] - Lamp, Curb - optional
- [11] - OPTIONAL
- [12] - Switch, Extend limit - not available
- [13] - TSBUS2004-873
- [14] - Switch, recovery limit - not available
- [15] - TSBUS2008-875
- [16] - Switch, dust control filter - optional
- [17] - Switch, seat - not available



Resource notes:

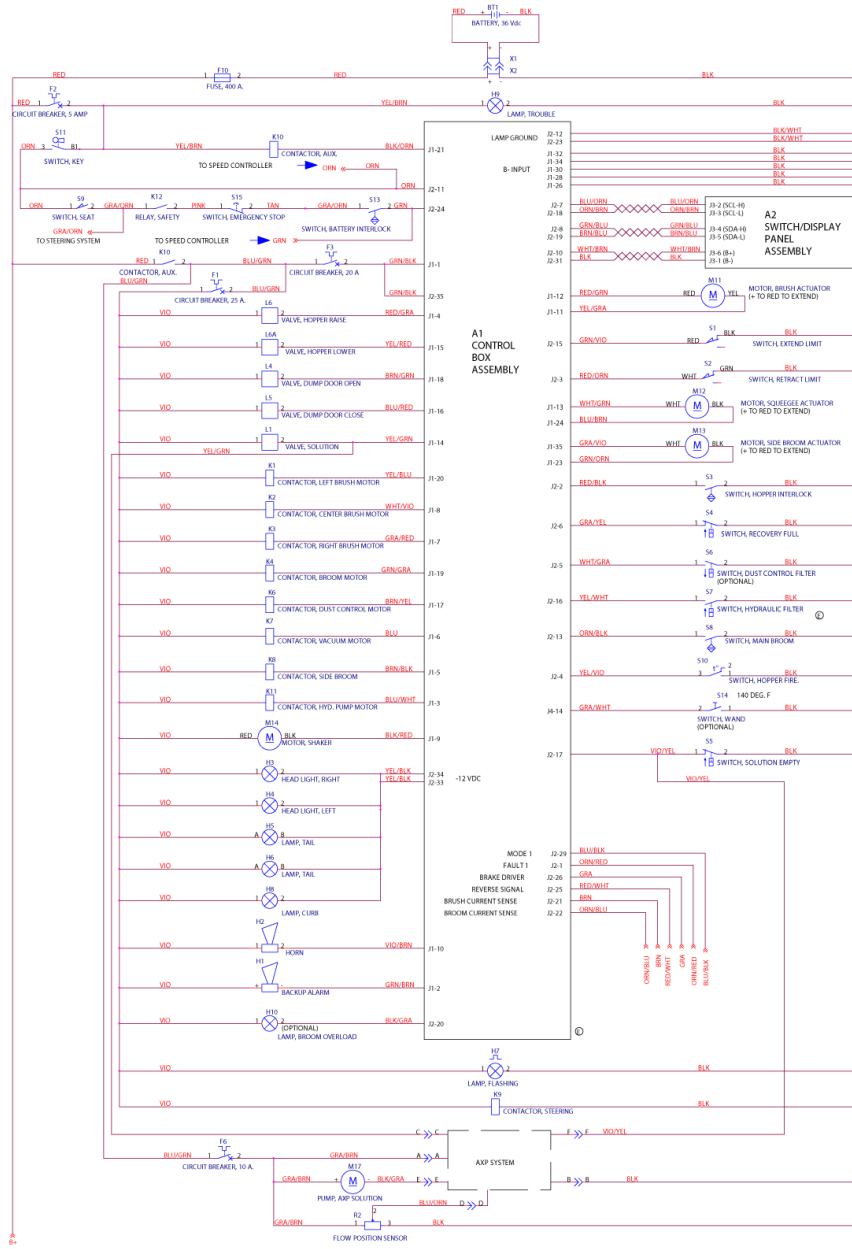
NOTE 1: Used on machines built before May 2004. NOTE 2: Used on machines built after April 2004. NOTE 3: 56303073 is no longer available. If you need to replace 56303073 please order the SBW Steering Kit 56380500.

Pos.	Artikel-Nr.	Menge	Variante	Notes
A3	56303197	1	Geschwindigkeitskontrolle	
C1	56303337	1	Kondensator	[1]
F11	56410044	1	Sicherung 250 Amp..	
F4	56454538	1	Sicherungsautomat 15A	
F5	56395454	1	Einbausicherung 20 A	
F7	56303301	1	Sicherung 70 Amp.	
F8	56303299	1	Überlastungsschutz 40 Amp	
F9	56303299	1	Überlastungsschutz 40 Amp	
K1	56395450	1	Relais BR 1000	
K11	56303434	1	Magnetspule 24V	[2]
K2	56395450	1	Relais BR 1000	
K3	56395450	1	Relais BR 1000	
K4	56303198	1	Relais 26V	
K5	56303198	1	Relais 26V	
K6	56395450	1	Relais BR 1000	
K7	56395450	1	Relais BR 1000	
K8	56395450	1	Relais BR 1000	
K9	56395450	1	Relais BR 1000	
M1	56303039	1	Motor 2.0 HP	
M1	56303419	4	Kohlebürste	[3]
M1	56303444	4	SPRING BRUSH	[3]
M10	56303040	1	Hydraulikeinheit CR1200B	
M10	56303561	1	Hydrauliktank, Kit	[3]
M10	56303433	1	BRUSH & SPRING KIT	[4]
M15	56303033	1	Motor 36V/4HP	
M15	56409746	4	BRUSH SPRING	[3]
M16	56380500	1	Lenkhilfe Kit	[5]
M2	56303083	1	GEARMOTOR ASSEMBLY	
M2	56303444	4	SPRING BRUSH	[3]
M2	56303419	4	Kohlebürste	[3]
M3	56303083	1	GEARMOTOR ASSEMBLY	
M3	56303419	4	Kohlebürste	[3]
M3	56303444	4	SPRING BRUSH	[3]
M4	56303083	1	GEARMOTOR ASSEMBLY	
M4	56303444	4	SPRING BRUSH	[3]
M4	56303419	4	Kohlebürste	[3]
M5	56416020	1	Saugermotor f. SR 1600	[2]
M5	56303426	4	BRUSHES WHEEL DRIVE MOTOR	[3]
M5	56416595	1	SET OF 2 MOTOR BRUSHES	[2]
M6	56410065	1	Saugmotor 36V 3St	
M6	56212223	1	CARBON BRUSH SET OF 2	[3]
M7	56212223	1	CARBON BRUSH SET OF 2	[3]
M7	56410065	1	Saugmotor 36V 3St	
M8	56303442	1	Motor Seitenbesen rechts	[6]
M8	56416608	1	Kohlebürste	[3]
M8	56416578	1	Getriebemotor f.	[7]
M9	56410307	1	Bürstenmotor REBR 1100 cxl	[7]
M9	56303443	1	Motor Seitenbesen links	[6]
M9	56416608	1	Kohlebürste	[3]
R1	56303313	1	Sensor f. Fahrpedal	

## Part Notes:

- [1] - STOCK COVERS GUARANTEE
- [2] - SEE PI 2017-002
- [3] - Not shown
- [4] - Not shown  
SEE PI 2017-002
- [5] - NOTE 3 / TSBUS2007-982  
NO LONGER AVAILABLE
- [6] - NOTE 2

[7] - NOTE 1



Resource notes:

NOTE 1: 56303073 is no longer available. If you need to replace 56303073 please order the SBW Steering Kit 56380500.

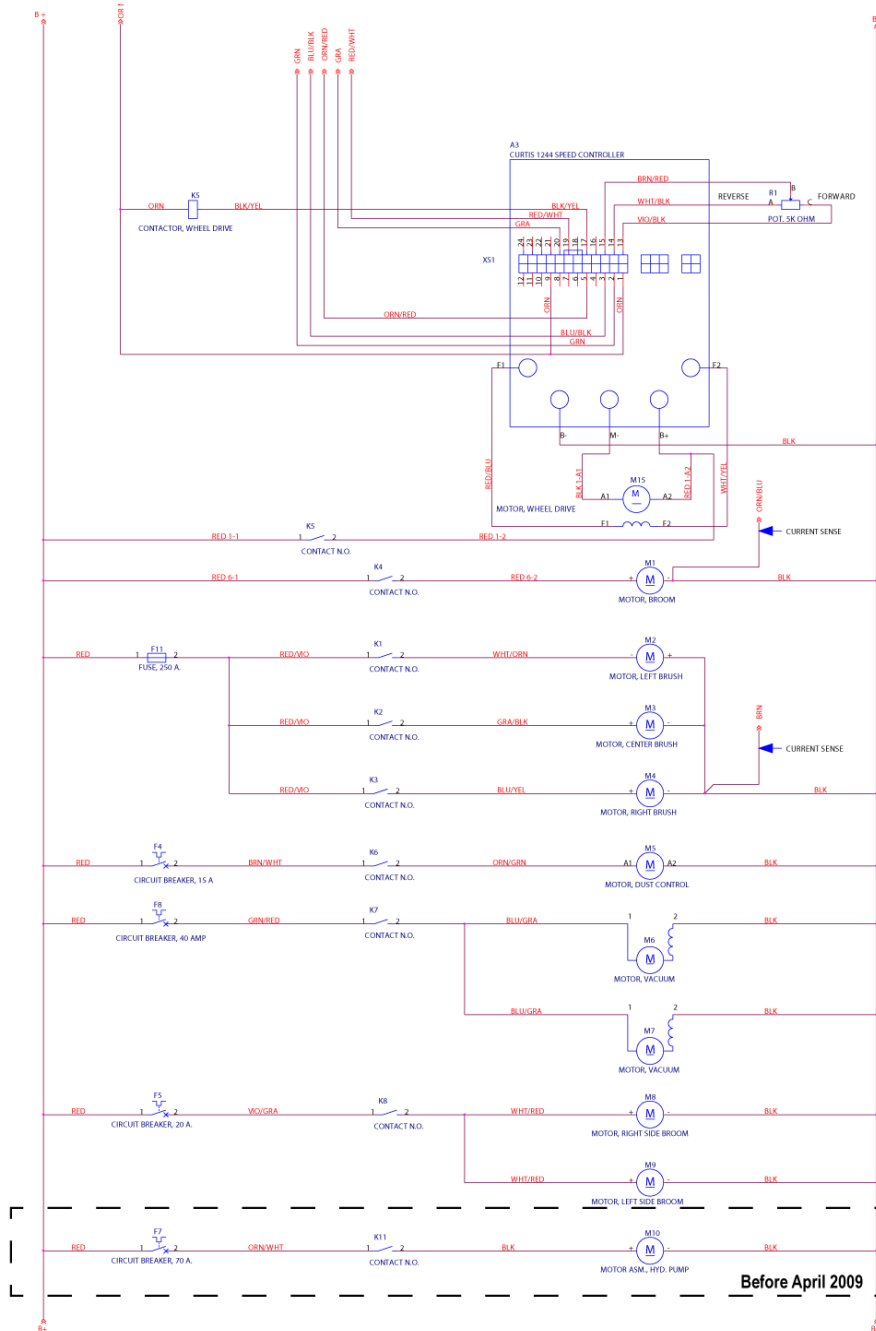
Pos.	Artikel-Nr.	Menge	Variante	Notes
A1	56303543	1	Kontrollbox CR 1200 B	
A2	56303552	1	Aggregat CR 1200 B	
BT1		1		[1]
F1	56469788	1	Unterbrecher	[2]
F10	56303297	1	Sicherung 400 A	[3]
F12	56387316	1	Schütz 10A	[4]
F2	56387328	1	Unterbrecher	[5]
F3	56395454	1	Einbausicherung 20 A	[6]
H1		1	Backup Alarm - optional	[7]
H10	56303350	1	Kontrollleuchte, rot	[8]
H2	56482365	1	HORN 36V	
H3	56304783	1	Leuchtmittel	[9]
H3	56304768	1	Lampe 12V CR 1400	
H4	56304768	1	Lampe 12V CR 1400	
H4	56304783	1	Leuchtmittel	[9]
H5	56305237	1	Glühlampe	
H6	56305237	1	Glühlampe	
H7		1	Lamp, flashing - optional	[10]
H8		1	Lamp, curb - optional	[11]
H9	56303353	1	Glühlampe 36V	[12]
K1	56395450	1	Relais BR 1000	
K10	56395450	1	Relais BR 1000	
K11	56303434	1	Magnetspule 24V	[8]
K2	56395450	1	Relais BR 1000	
K3	56395450	1	Relais BR 1000	
K4	56303198	1	Relais 26V	
K6	56395450	1	Relais BR 1000	
K7	56395450	1	Relais BR 1000	
K8	56395450	1	Relais BR 1000	
K9	56395450	1	Relais BR 1000	
L1	56384490	1	VALVE-SOLENOID-36V	
L2	56384490	1	VALVE-SOLENOID-36V	
L4	56303435	1	SOLENOID VALVE ITEM 4	
L5	56305369	1	Steckerventil	
L6	56303437	1	SOLENOID VALVE ITEM 6	[8]
L6A	56303437	1	SOLENOID VALVE ITEM 6	[8]
M11	56303095	1	Hebe-/Senkmotor	
M12	56303360	1	Spindelmotor SaugfussCR 1200	
M13	56303119	1	Spindelmotor	[8]
M14	56467307	1	Rüttelmotor	
M16	56380500	1	Lenkhilfe Kit	[13]
M17	56413810	1	Pumpe 36 V BR 1300 S	[4]
R2	56303313	1	Sensor f. Fahrpedal	[4]
S1		1	Switch, extend limit - not available	[14]
S10		1	Switch, hopper fire - optional	[15]
S11	56303553	1	KEY SWITCH ASSEMBLY	[16]
S11	56303526	1	Schlüssel,	[17]
S12	56209321	1	Schalter zu GW 1030	[12]
S13	56305053	1	Näherungssensor	
S2		1	Switch, retract limit - not available	[18]
S3	56305053	1	Näherungssensor	
S4	56305977	1	Schwimmerschalter CR 1400	[19]
S5	56305032	1	Füllstandssensor f.	
S6		1	Switch, dust control filter - optional	[20]
S7	56418994	1	Öldruckschalter	
S8	56305053	1	Näherungssensor	
S9	7-82-00050	1	Sitzschalter BR 1300 S	

---

**Part Notes:**

- [1] - Battery 36Vdc
- [2] - AUXILIARY CIRCUIT 1
- [3] - MAIN
- [4] - EDS
- [5] - AUXILIARY CIRCUIT 2
- [6] - AUXILIARY CIRCUIT 3
- [7] - Backup Alarm - optional
- [8] - SEE PI 2017-002
- [9] - for 56304768
- [10] - Lamp, flashing - optional
- [11] - Lamp, curb - optional
- [12] - OPTIONAL
- [13] - NOTE 1 TSBUS2007-982  
NO LONGER AVAILABLE
- [14] - Switch, extend limit - not available
- [15] - Switch, hopper fire - optional
- [16] - TSBUS2004-873
- [17] - replacement key for 56303553 - not shown
  
- for 56303553
- [18] - Switch, retract limit - not available
- [19] - TSBUS2005-875
- [20] - Switch, dust control filter - optional





Resource notes:

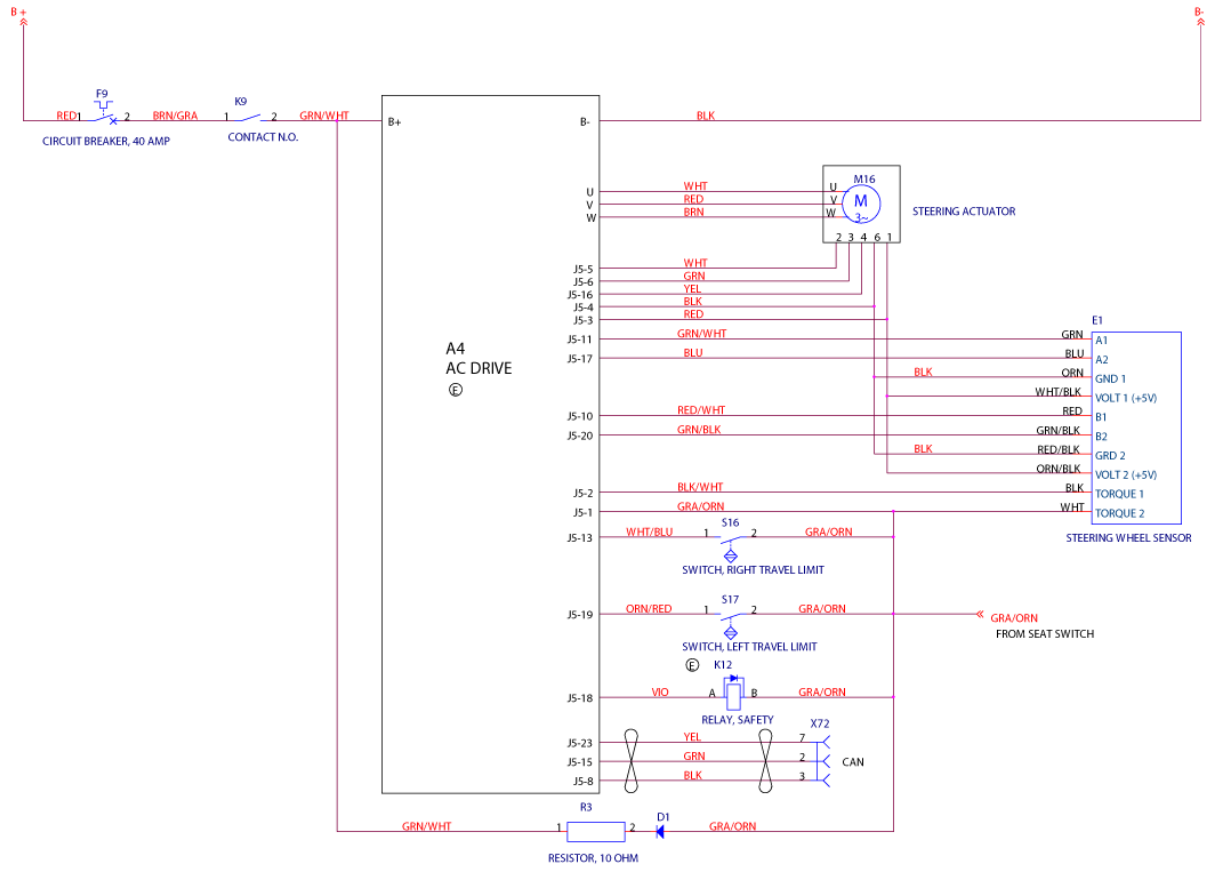
NOTE 1: Only used before April 2009.

Pos.	Artikel-Nr.	Menge	Variante	Notes
A3	56303197	1	Geschwindigkeitskontrolle	
C1	56303337	1	Kondensator	[1]
F11	56410044	1	Sicherung 250 Amp..	[2]
F4	56454538	1	Sicherungsautomat 15A	[3]
F5	56395454	1	Einbausicherung 20 A	[4]
F7	56303301	1	Sicherung 70 Amp.	[5]
F8	56303299	1	Überlastungsschutz 40 Amp	[6]
F9	56303299	1	Überlastungsschutz 40 Amp	[7]
K1	56395450	1	Relais BR 1000	[8]
K11	56303434	1	Magnetspule 24V	[9]
K2	56395450	1	Relais BR 1000	[10]
K3	56395450	1	Relais BR 1000	[11]
K4	56303198	1	Relais 26V	[12]
K5	56303198	1	Relais 26V	[13]
K6	56395450	1	Relais BR 1000	[3]
K7	56395450	1	Relais BR 1000	[14]
K8	56395450	1	Relais BR 1000	[4]
K9	56395450	1	Relais BR 1000	[15]
M1	56303039	1	Motor 2.0 HP	
M1	56303419	4	Kohlebürste	[16]
M1	56303444	4	SPRING BRUSH	[16]
M10	56303433	1	BRUSH & SPRING KIT	[17]
M10	56303040	1	Hydraulikeinheit CR1200B	
M10	56303561	1	Hydrauliktank, Kit	[16]
M15	56303033	1	Motor 36V/4HP	
M15	56409746	4	BRUSH SPRING	[16]
M15	56303426	4	BRUSHES WHEEL DRIVE MOTOR	[16]
M16	56380500	1	Lenkhilfe Kit	[18]
M2	56303419	4	Kohlebürste	[16]
M2	56303083	1	GEARMOTOR ASSEMBLY	
M2	56303444	4	SPRING BRUSH	[16]
M3	56303083	1	GEARMOTOR ASSEMBLY	
M3	56303444	4	SPRING BRUSH	[16]
M3	56303419	4	Kohlebürste	[16]
M4	56303444	4	SPRING BRUSH	[16]
M4	56303419	4	Kohlebürste	[16]
M4	56303083	1	GEARMOTOR ASSEMBLY	
M5	56416020	1	Saugermotor f. SR 1600	[19]
M5	56416595	1	SET OF 2 MOTOR BRUSHES	[19]
M6	56410065	1	Saugmotor 36V 3St	
M6	56212223	1	CARBON BRUSH SET OF 2	[16]
M7	56212223	1	CARBON BRUSH SET OF 2	[16]
M7	56410065	1	Saugmotor 36V 3St	
M8	56416608	1	Kohlebürste	[16]
M8	56303442	1	Motor Seitenbesen rechts	
M9	56303443	1	Motor Seitenbesen links	
M9	56416608	1	Kohlebürste	[16]
R1	56303313	1	Sensor f. Fahrpedal	

## Part Notes:

- [1] - STOCK COVERS GUARANTEE
- [2] - BRUSH MOTORS
- [3] - DUST CONTROL
- [4] - SIDE BROOMS
- [5] - HYDRAULIC PUMP
- [6] - VACUUM MOTORS
- [7] - POWER STEERING
- [8] - LEFT BRUSH

- [9] - HYDRAULIC PUMP MOTOR  
SEE PI 2017-002
- [10] - CENTER BRUSH
- [11] - RIGHT BRUSH
- [12] - MAIN BROOM
- [13] - DRIVE WHEEL
- [14] - VACUUM
- [15] - STEERING
- [16] - Not shown
- [17] - Not shown  
SEE PI 2017-002
- [18] - NOTE 1 - TSBUS2007-982  
NO LONGER AVAILABLE
- [19] - SEE PI 2017-002



Resource notes:

NOTE 1: Only used after March 2009.

Pos.	Artikel-Nr.	Menge	Variante	Notes
A1	56510729	1	Lenksteuerung	[1]
D1		1	Diode - NOTE 1 - not available	[2]
E1	56380405	1	Stelleinheit	[3]
K12	56416157	1	Relais SPST	[4]
M16	56380406	1	Motor f. Lenkgetriebe 36V	[1]
R3		1	Resistor, 10 Ohm NOTE - not available	[5]
S15	56407130	1	Schalter(Notunterbrecher)	[1]
S16	56305053	1	Näherungssensor	[1]
S17	56305053	1	Näherungssensor	[1]

## Part Notes:

- [1] - NOTE 1
- [2] - Diode - NOTE 1 - not available
- [3] - NOTE 1  
EXPIRED NO REPLACEMENT
- [4] - NOTE 1  
EXPIRED USE 40892A
- [5] - Resistor, 10 Ohm NOTE - not available

Item	Ref. No.	Qty	Description
			<b>Optional Kits</b>
**	56305509	1	Temperature Switch Kit
**	56305519	1	Backup Alarm Kit (Std)
**	56305517	1	Hopper Filter Switch Kit
**	56305881	1	Beacon Kit (Std on CR 1100B models)
**	56305482	1	Beacon Kit (Std on CR 1200B models)
**	56305896	1	Solution Fill Shutoff Kit (CR 1200 Models)
**	56305820	1	Solution Fill Shutoff Kit (CR 1100 Models)
**	56305493	1	Tower Bumper Kit
**	56303362	1	Trouble Lamp Kit
**	56305530	1	Vacuum Wand Kit
**	56305637	1	Low Clearance Overhead Guard Kit
**	56303573	1	Overhead Guard Kit
**	56303579	1	Overhead Guard Beacon Kit
**	56305641	1	Curb Light Kit
**	56305494	1	Left Side Broom Guard Kit
**	56305495	1	Right Side Broom Guard Kit
**	56305652	1	Both Side Broom Guard Kit
**	56303431	1	Fire Extinguisher Kit
**	56305794	1	Pre-Filter Grid Kit
**	56109306	1	Seat Belt Kit For use on Seat 7-69-00008
**	56303445	1	Main Broom Belt Kit
**	56303381	1	Deluxe Seat Kit
**	56306145	1	Kit, Chemical Injection 36VDC
**	56303572	1	Cleanout Kit
**	56111418	1	Puddle Pick-Up Kit
**	56307221	A/R	Recovery Inlet Seal Kit
			<b>See Accessories Parts List 56042508 for an individual parts break down of each kit</b>
			<b>CR 1100B Squeegee Blade Kits (contains both front and rear blades)</b>
**	56303471	1	Squeegee Blade Kit 43
**	56303469	1	Neoprene Squeegee Blade Kit 43
**	56303562	1	Polyurethane Squeegee Blade Kit 43
			<b>CR 1200B Squeegee Blade Kits (contains both front and rear blades)</b>
**	56303472	1	Squeegee Blade Kit 48
**	56303470	1	Neoprene Squeegee Blade Kit 48
**	56303564	1	Polyurethane Squeegee Blade Kit 48
			<b>Side Blade Kits (All Models / contains 2 long blades &amp; 2 short blades)</b>
**	56305697	1	Side Blade Kit
**	56305685	1	Neoprene Side Blade Kit
			<b>Optional Batteries</b>
**#			DELETED
**#			DELETED
**#			DELETED
**#			DELETED
**#			DELETED
			<b>Optional Chargers</b>
**#			DELETED
**#			DELETED
**#			DELETED
**#			DELETED
**#			DELETED
**#			DELETED
			<b>Battery Accessories</b>
**	56303429	1	Cart, Battery Exchange
**	56303430	1	Rack, Battery Storage
**	56303386	1	Disconnect, Battery Bracket Kit
			<b>Accessories</b>
**#	56044347	1	Literature Pack

\*\* = Optional Accessories

# = Revised or new since last update

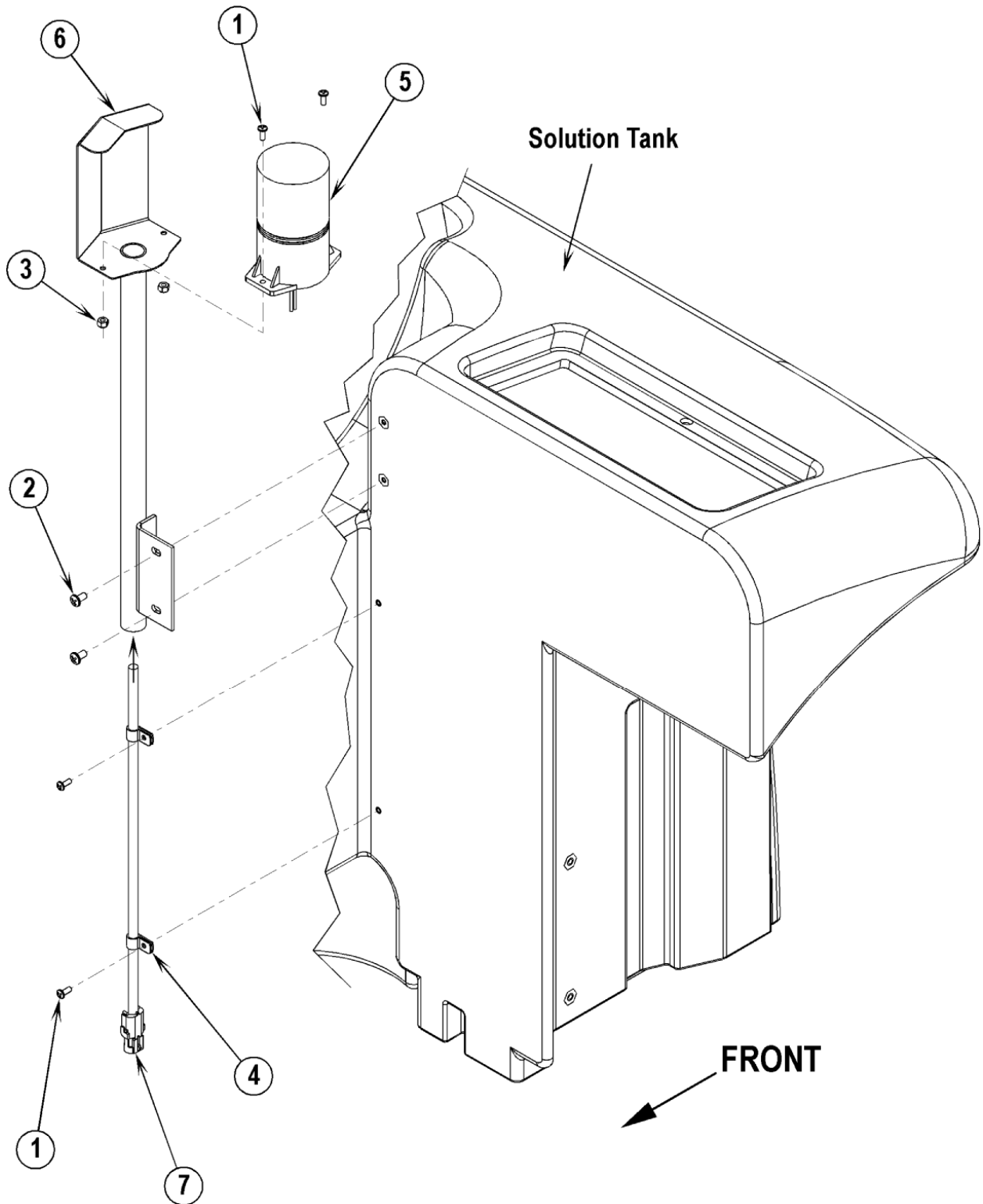
## Resource notes:

All parts is Optional Accessories See Accessories Parts List 56042508 for an individual parts break down of each kit  
 Pos. 1-26 - Optional Kits Pos. 30-32 - CR 1100B Squeegee Blade Kits (contains both front and rear blades) Pos. 40-42 - CR 1200B Squeegee Blade Kits (contains both front and rear blades) Pos. 50-51 - Side Blade Kits (all models/contains 2 long blades and short blades) Pos. 60-64 - Optional Batteries Pos. 70-75 - Optional Chargers Pos. 80-82 - Battery Accessories

Pos.	Artikel-Nr.	Menge	Variante	Notes
01	56305509	1	Temperaturschalter f. Kehrgutbehälter	
02	56305519	1	Rückfahralarm	
03	56305517	1	Steuerungsset f. Filter-Kehrgutbehälter	
04	56305881	1	BEACON KIT 60	
05	56305482	1	Warnleuchte	
06	56305896	1	Füllstandsabschaltung	
07	56305820	1	Füllstandsabschaltung	
08	56305493	1	Abweisrolle, gross	[1]
09	56303362	1	TROUBLE LAMP KIT	[2]
10	56305530	1	Nass-Saug-Set	
11	56305637	1	Fahrerschutzdach	
12	56303573	1	OVERHEAD GUARD KIT	
13	56303579	1	OH GUARD BEACON KIT	
14	56305641	1	Randsteinlicht	
15	56305494	1	Schutz f. Setenbesen li.	
16	56305495	1	Anfahrerschutz Seitenbesen, rechts	
17	56305652	1	Stoss-Schutz Seitenbesen, re./li.	
18	56303431	1	FIRE EXTINGUISHER KIT	[3]
19	56305794	1	Grobschmutzgitter-Set	
20	56109306	1	Sicherheitsgurt-Kit	[4]
21	56303445	1	BELT KIT MAIN BROOM	
22	56303381	1	Deluxe Sitz f.	[5]
23	56306145	1	EDS-Set 36VDC	[1]
24	56303572	1	Revisionsklappe	[6]
25	56111418	1	PUDDLE PICK-UP KIT	[6]
26	56307221	1	Dichtungskit Ansaugens.	
30	56303471	1	Absaugleisten-Set, Gummi, rot	
31	56303469	1	4300B NEOPRENE BLADE KIT	[2]
32	56303562	1	POLYURET SQUEEGEE BLADE 43 KIT	
40	56303472	1	Absaugleisten-Set, Gummi, rot	
41	56303470	1	4800B NEOPRENE BLADE KIT	
42	56303564	1	POLYURET SQUEEGEE BLADE 48 KIT	
50	56305697	1	Seiten Gummi-Set, rot	
51	56305685	1	Seitenschürzenset, Neopren	
60	L00200052	1	Gelbatterie im Trog, 36V-500 Ah	
61	L00200053	1	BATT.36V-625AH WET TRAY W. AQUAMATIC	[7]
63	80561100	1	Nassbatterie 36V-800 Ah, Aquamatic	
64	80561100	1	Nassbatterie 36V-800 Ah, Aquamatic	
70	80573680	1	Ladegerät HF 36V-80A SB350G (Drehstr.)	
71	80573680	1	Ladegerät HF 36V-80A SB350G (Drehstr.)	[8]
72	80583614	1	Ladegerät 36V-140A SB350G (Drehstr.)	
73	80583614	1	Ladegerät 36V-140A SB350G (Drehstr.)	
74	80546642	1	BATTERY CHARGER 36/105 UK	[9]
75	80546641	1	BATTERY CHARGER 36/105 EU	[9]
80	56303429	1	CART BATTERY EXCHANGE	
81	56303430	1	RACK BATTERY STORAGE	
82	56303386	1	DISCONNECT BATTERY BRACKET KIT	

## Part Notes:

- [1] - PRUNED ACCESSORY
- [2] - STOCK COVERS GUARANTEE
- [3] - EXPIRED ON 12/13/2018
- [4] - SEE TSB-FC-2015-040  
TSB-FC-2015-040 Replacement Parts
- [5] - SEE PI 2017-002
- [6] - NO LONGER AVAILABLE
- [7] - BOM COMPONENTS OBSOLETE
- [8] - Replaces 80546541
- [9] - CLOSED



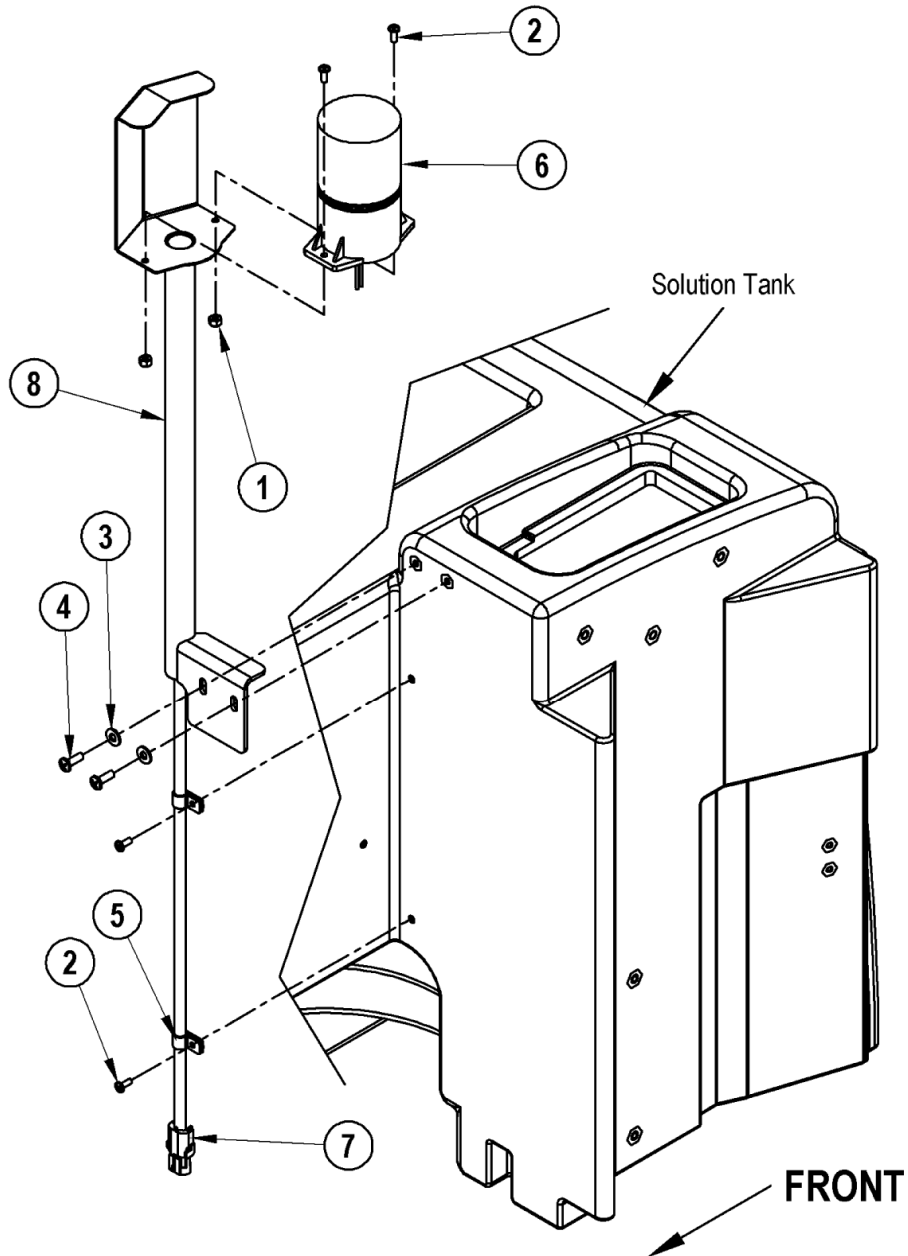


---

Pos.	Artikel-Nr.	Menge	Variante	Notes
00	56305482	1	Warnleuchte	[1]
01	56001993	4	SCR PAN HD PHIL 10-24X.50	
02	56002145	2	Schraube 1/4 20x .50	
03	56002768	2	1/4-20 NYLOC NUT	
04	56172017	2	P-CLIP E00129	
05	56305223	1	Rundumleuchte	[2]
06	56305481	1	TUBE WELDMENT	
07	56305513	1	Schutzrohr für	

## Part Notes:

- [1] - Standard on CR 1200B model
- [2] - EXPIRED USE 56510893

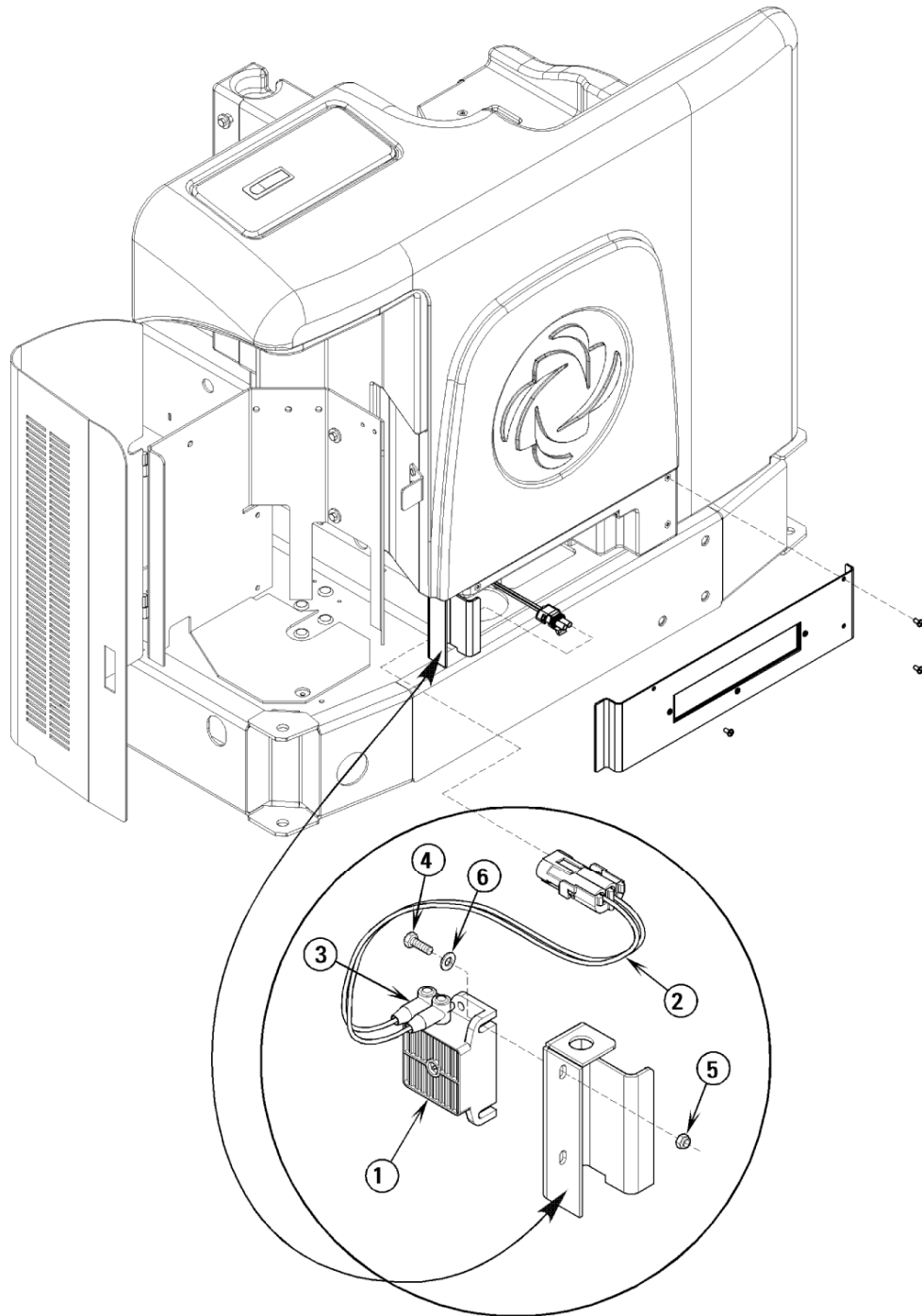


---

Pos.	Artikel-Nr.	Menge	Variante	Notes
00	56305881	1	BEACON KIT 60	
01	56002768	2	1/4-20 NYLOC NUT	
02	56001993	4	SCR PAN HD PHIL 10-24X.50	
03	56002098	2	Scheibe	
04	56002507	2	SCR PAN PHIL 1/4-20 X .75	
05	56172017	2	P-CLIP E00129	
06	56305223	1	Rundumleuchte	[1]
07	56305513	1	Schutzrohr für	
08	56305883	1	BEACON MOUNT WELDMENT 60	

## Part Notes:

[1] - EXPIRED USE 56510893

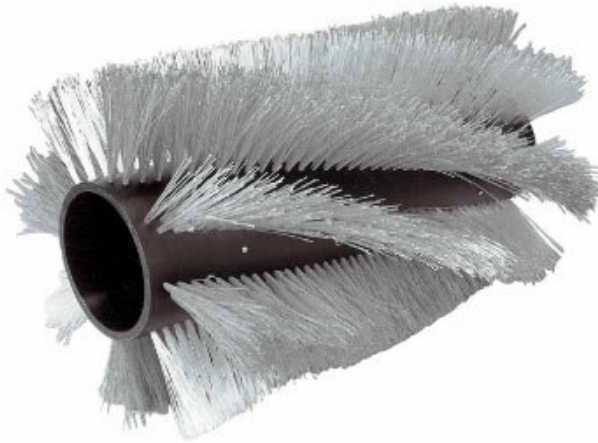


---

Pos.	Artikel-Nr.	Menge	Variante	Notes
00	56305519	1	Rückfahralarm	[1]
01	56409232	1	Fahrerschutzdach	
02	56409495	1	Anschlußkabel	
03	56409538	2	Isolator	
04	56009018	2	SCHRAUBE 1/4-20X3/4 HP5	
05	56002708	2	Stopmutter 1/4-20	
06	56002098	2	Scheibe	

## Part Notes:

[1] - Standard on all models



**Main Broom:** PN56505955 Proex & Wire (STD.) (8 Double Rows)  
 This broom has a more aggressive cleaning action, used to pick up heavier debris.

PN56505956 Prolene (Optional) (8 Double Rows)  
 A top quality synthetic fiber. This filament is made for a wide variety of applications. Retains its stiffness when wet and resists abrasive chemicals, solvents and oils. A general purpose material offering high performance for a wide range of applications.

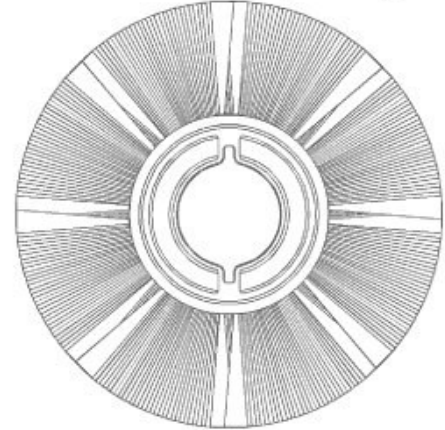
PN56505953 Nylon (Optional) (8 Double Rows)  
 General purpose broom that can be used for all types of light soil. High wear material so uneven surfaces do not cause excessive wear. Nylon has a high heat deflection temperature, is chemical resistant and will absorb water in wet conditions. Truly a general purpose broom.

PN56505952 Proex (Optional) (12 Double Rows)  
 PN56505954 Proex (Optional) (8 Double Rows)  
 Synthetic fiber made of polypropylene designed to pick up paper, gravel, sand and other lighter less bulky litter.

PN56505951 Poly/Wire (Optional) (8 Double Rows)

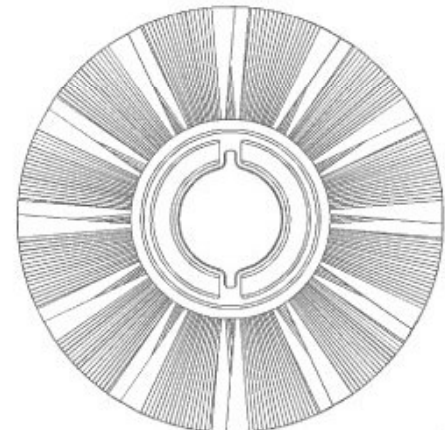
**8 Double Row**

Length.....40" (101.6 cm)  
 Diameter.....14" (35.56 cm)



**12 Double Row**

Length.....40" (101.6 cm)  
 Diameter.....14" (35.56 cm)



**Side Broom:** PN56462252 Polypropylene (STD.)  
 The side broom function is to sweep the dirt and debris away from the curb, wall, pallet, etc. into the path of the main broom.



Diameter.....20" (50.8 cm)

---

Pos.	Artikel-Nr.	Menge	Variante	Notes
01	56505955	1	Kehrwalze Pro-ex/Stahl 8R	
02	56505956	1	Kehrwalze PPN 8R	
03	56505953	1	Kehrwalze Nylon 8R	
04	56505952	1	Kehrwalze Pro-ex 12R	
05	56505954	1	Kehrwalze Pro-ex 8R	
06	56505951	1	Kehrwalze Poly/Stahl 8R	
07	56462252	1	Seitenbesen PP	

We provide brushes and pad holders that will give you the best possible performance between machine and floor. Following are descriptions of the materials and their applications when used on the CR .

- Union Mix:** Medium grade natural fibers for polishing finished floors with standard-speed equipment. Recommended for use in place of white pads.
- ProLite:** Bristles are made from light-duty polypropylene for general scrubbing when you do not want to scratch or remove finish from the floor. Recommended for use in place of red pads.
- Prolene:** Polypropylene material for medium-duty scrubbing on concrete, terrazzo and vinyl floor tile. Recommended for use in place of green or blue pads.
- Magna Grit:** For extreme heavy-duty scrubbing or stripping of floors. This brush has extra large diameter silicon carbide grit impregnated synthetic bristles. Recommended for use in place of black pads.
- Dyna Grit:** For aggressive, heavy-duty scrubbing or stripping of floors. Recommended for use in place of brown pads.
- MidLite Grit:** For general purpose scrubbing of sealed or unsealed concrete, stone, terrazzo, quarry tile and other resilient hard floor surfaces. Recommended for use in place of green or blue pads.
- MidGrit:** For general purpose scrubbing when you need a lighter action for sealed or unsealed concrete, stone, terrazzo, quarry tile and other resilient hard floor surfaces. Recommended for use in place of green or blue pads.
- AgLite Grit:** For light scrubbing when used wet; buffing or polishing when used dry on urethane coated, sealed concrete or other resilient hard surface floors. Recommended for use in place of red or white pads.
- Short Trim Pad Holder:** Made with a structural foam block and center ring for correct pad centering. It has a "shower feed" design for getting solution to the floor.

**CR 1100B BRUSHES**

- 56505946 - Union Mix
- 56505944 - Prolene
- 56505942 - Dyna Grit 80
- 56505947 - MidGrit 240
- 56505940 - Short Trim Pad Holder
- 56505195 - Pad Retainer for 56505940
- 56505945 - ProLite
- 56505941 - Magna Grit 46
- 56505948 - MidLite Grit 180 (std)
- 56505943 - AgLite Grit 500

**CR 1200B BRUSHES**

- 56505786 - Union Mix
- 56505784 - Prolene
- 56505782 - Dyna Grit 80
- 56505787 - MidGrit 240
- 56505780 - Short Trim Pad Holder
- 56505195 - Pad Retainer for 56505940
- 56505785 - ProLite
- 56505781 - Magna Grit 46
- 56505788 - MidLite Grit 180 (std)
- 56505783 - AgLite Grit 500

**DISC BRUSH APPLICATION GUIDE (SUGGESTION ONLY)**

Application	46 Grit	80 Grit	180 Grit	240 Grit	500 Grit	Prolene	Prolite	Union Mix
<b>Stripping:</b>								
Concrete	X	X						
Terrazzo	X	X						
Ceramic/Quarry tile		X						
Vinyl tile		X						
<b>General Scrubbing:</b>								
Concrete	X	X	X	X		X		
Terrazzo			X	X	X	X		
Ceramic/Quarry tile			X	X	X	X		
Marble					X		X	
Vinyl tile			X		X	X		
Raised-rubber tile					X		X	
<b>Polishing:</b>								
Raised Disc Tile								X
Marble								X
Vinyl tile								X



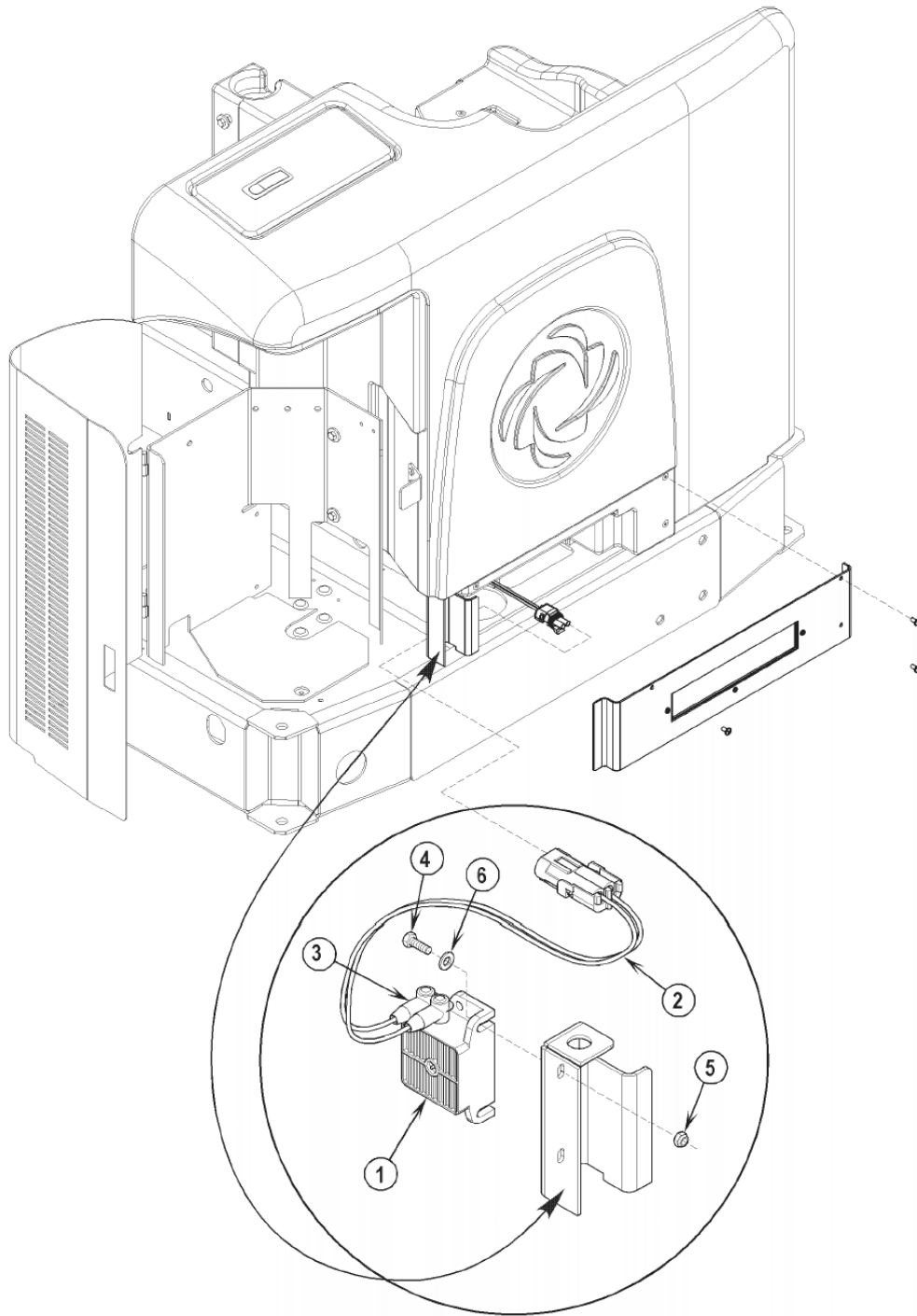
Pos.	Artikel-Nr.	Menge	Variante	Notes
01	56505946	1	DISC BRUSH-15 UNION MIX 3 LUG	
02	56505944	1	Bürste, 15" Prolene	
03	56505942	1	BRUSH DYNAGRIT 15	
04	56505947	1	DISC BRUSH-15 MIDGRIT 3 LUG	
05	56505940	1	BRUSH PAD HOLDER 15	
06	56505945	1	DISC BRUSH-15 PROLITE 3 LUG	
07	56505945	1	DISC BRUSH-15 PROLITE 3 LUG	
08	56505941	1	DISC BRUSH-15 MAGNAGRIT 3 LUG	
09	56505948	1	Bürste, 15" Mid Grit 180	
10	56505943	1	BRUSH AGLITE 15	
11	56505786	1	Bürste Union Mix 430 mm	
12	56505784	1	Bürste PPN hart 430 mm	
13	56505782	1	Bürste Dyna Grit, mittel 400 mm	
14	56505787	1	Bürste Mid Grit 240, 430 mm	
15	56505780	1	Padhalter 430 mm	
16	56505785	1	Bürste PPN weich 430 mm	
17	56505785	1	Bürste PPN weich 430 mm	
18	56505781	1	Bürste Magna Grit, hart 400 mm	
19	56505788	1	Bürste Mid Grit 180	
20	56505783	1	Bürste Aglite, weich 400 mm	

Part Number	Kit Name	For use on: Engine and Battery CR 1100, 1200 & 1400	For use on: Haram Captor	For use on: Engine CR 1100, 1200 & 1400 only	For use on: Battery CR 1100B & 1200B only	Page
56305482	Beacon Kit*	X				5
56305881	Beacon Kit (60 Gallon)*	X				7
56305652	Both Side Broom Guard Kit	X				9
56305494	Broom Guard Kit, Left	X				9
56305495	Broom Guard Kit, Right	X				9
56303572	Cleanout Kit (recovery tank)	X	X			13
56305641	Curb Light Kit	X	X			15
56304025	High Durability Drive Tire	X				21
#56380444	High Durability Drive Tire, Urethane	X				21
56305517	Hopper Filter Switch Kit (Plugged)	X	X			23
56305637	Low Clearance Overhead Guard Kit	X				25
56303573	Overhead Guard Kit	X	*			25
56303579	OH Guard Beacon kit	X	*			25
56305794	Pre-Filter Grid Kit	X	X			27
56307221	Recovery Inlet Seal Kit	X	X			29
56109306	Seat Belt Kit	X	X			31
56305585	Solution Fill Shutoff Kit (obsolete)	X				33
56305896	Solution Fill Shutoff Kit	X	X			35
56305820	Solution Fill Shutoff Kit (60 Gallon)**	X				35
56305509	Temp Switch Kit	X	X			23
56305493	Tower Bumper Kit	X				37
56305530	Vacuum Wand Kit	X	X			41
56305519	Back-Up Alarm Kit*			X		3
56305643	Camera Kit		X	X		11
56305647	Controller Interface Kit		X	X		Not Shown
56305621	Fire Extinguisher Kit		X	X		17
56304044	High Durability Rear Wheel Assy			X		21
#56306207	High Durability Rear Wheel Assy			X		21
56305997	Rear Wheel Assy, 3x Groove 6			X		21
56305611	Deluxe Seat Kit			X		30
56303381	Deluxe Seat Kit w/Switch				X	30
56305628	Under-Hood Light Kit		X	X		39
56303355	Back-Up Alarm*				X	3
56303431	Fire Extinguisher Kit				X	19
56303028	High Durability Rear Wheel Assy				X	21
#56303595	High Durability Rear Wheel Assy				X	21
56303560	Rear Wheel Assy, 3x Groove 6				X	21
56303362	Trouble Lamp Kit				X	39
56306138	Chemical Injection Kit - 12VDC			X		43, 45
56306145	Chemical Injection Kit - 36VDC				X	47, 49

Pos.	Artikel-Nr.	Menge	Variante	Notes
01	56305482	1	Warnleuchte	
02	56305881	1	BEACON KIT 60	
03	56305652	1	Stoss-Schutz Seitenbesen, re./li.	
04	56305494	1	Schutz f. Setenbesen li.	
05	56305495	1	Anfahrerschutz Seitenbesen, rechts	
06	56303572	1	Revisionsklappe	[1]
07	56305641	1	Randsteinlicht	
08	56304025	1	Vollgummirad 16,25x6	
09	56380444	1	Rad CR 1200	
10	56305517	1	Steuerungsset f. Filter-Kehrgutbehälter	
11	56305637	1	Fahrerschutzdach	
12	56303573	1	OVERHEAD GUARD KIT	
13	56303579	1	OH GUARD BEACON KIT	
14	56305794	1	Grobschmutzgitter-Set	
15	56307221	1	Dichtungskit Ansaugens.	
16	56109306	1	Sicherheitsgurt-Kit	[2]
17	56305896	1	Füllstandsabschaltung	
18	56305896	1	Füllstandsabschaltung	
19	56305820	1	Füllstandsabschaltung	
20	56305509	1	Temperaturschalter f. Kehrgutbehälter	
21	56305493	1	Abweisrolle, gross	[3]
22	56305530	1	Nass-Saug-Set	
23	56305519	1	Rückfahralarm	
24	56305643	1	REAR VIEW CAMERA KIT	[4]
25	56305647	1	Steuerungsset	[5]
26	56305621	1	Feuerlöscher	
27	56304044	1	Hinterrad	
28	56306207	1	Rad kpl. (Gas+Diesel)	
29	56305997	1	WHEEL ASSY 6 3X-GROOVE IC MDL	
30	56305611	1	Fahrerkomfortsitz	
31	56303381	1	Deluxe Sitz f.	[6]
32	56305628	1	Motorlicht	[3]
33	56305519	1	Rückfahralarm	[7]
34	56303431	1	FIRE EXTINGUISHER KIT	[8]
35	56303028	1	Hinterrad kpl.	
36	56303595	1	Rad kpl. (Batterie)	
37	56303560	1	WHEEL ASSY 6 3XGROOVE BATTERY	
38	56303362	1	TROUBLE LAMP KIT	[9]
39	56306138	1	EDS-Set 12VDC	[3]
40	56306145	1	EDS-Set 36VDC	[3]

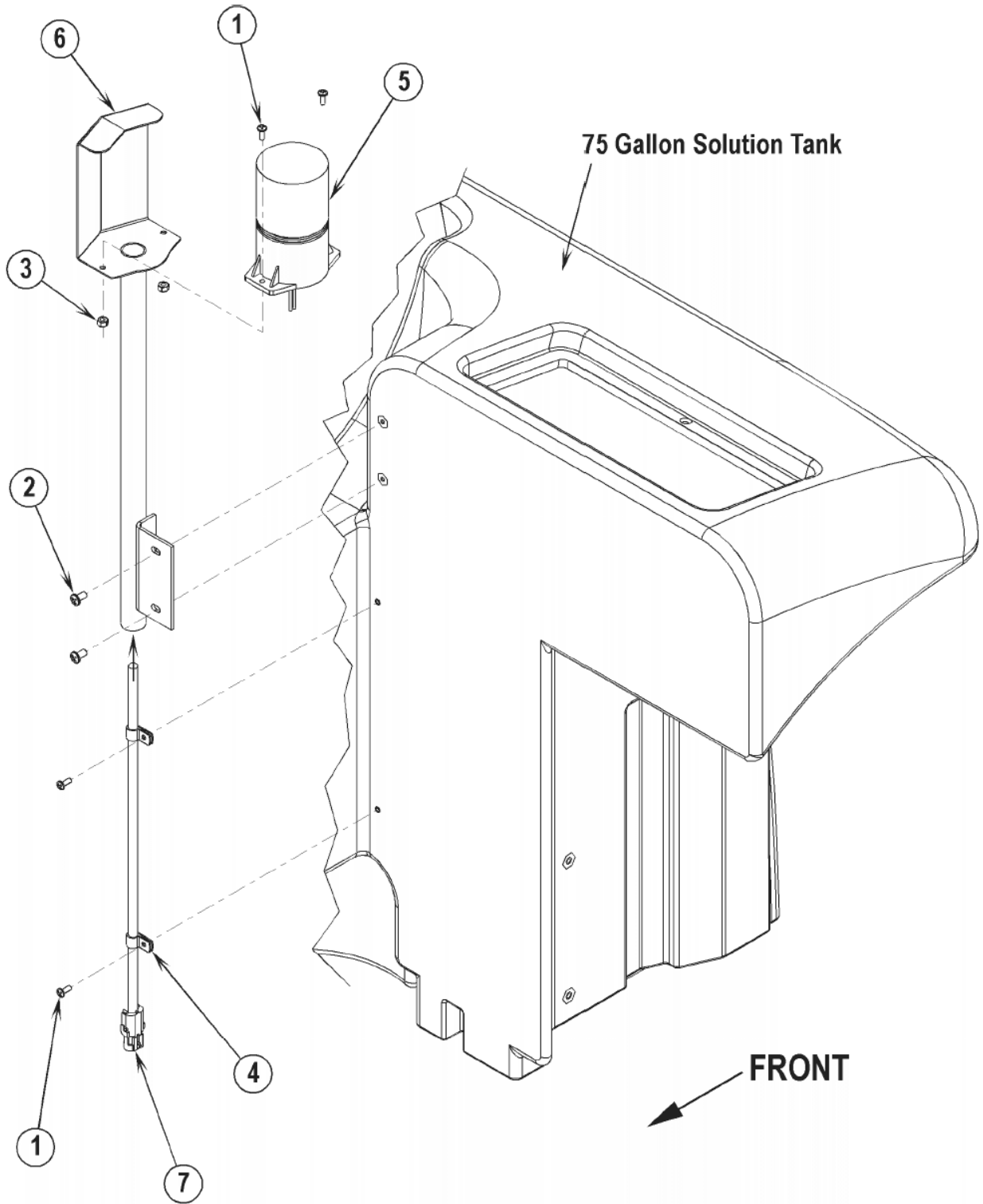
## Part Notes:

- [1] - NO LONGER AVAILABLE
- [2] - SEE TSB-FC-2015-040  
TSB-FC-2015-040 Replacement Parts
- [3] - PRUNED ACCESSORY
- [4] - OBSOLETE
- [5] - Not shown
- [6] - SEE PI 2017-002
- [7] - Replaces 56303355
- [8] - EXPIRED ON 12/13/2018
- [9] - STOCK COVERS GUARANTEE



---

Pos.	Artikel-Nr.	Menge	Variante	Notes
00	56305519	1	Rückfahralarm	
01	56409232	1	Fahrerschutzdach	
02	56409495	1	Anschlußkabel	
03	56409538	2	Isolator	
04	56002155	2	SCR HEX 1/4-20 X .75	
05	56002708	2	Stopmutter 1/4-20	
06	56002098	2	Scheibe	

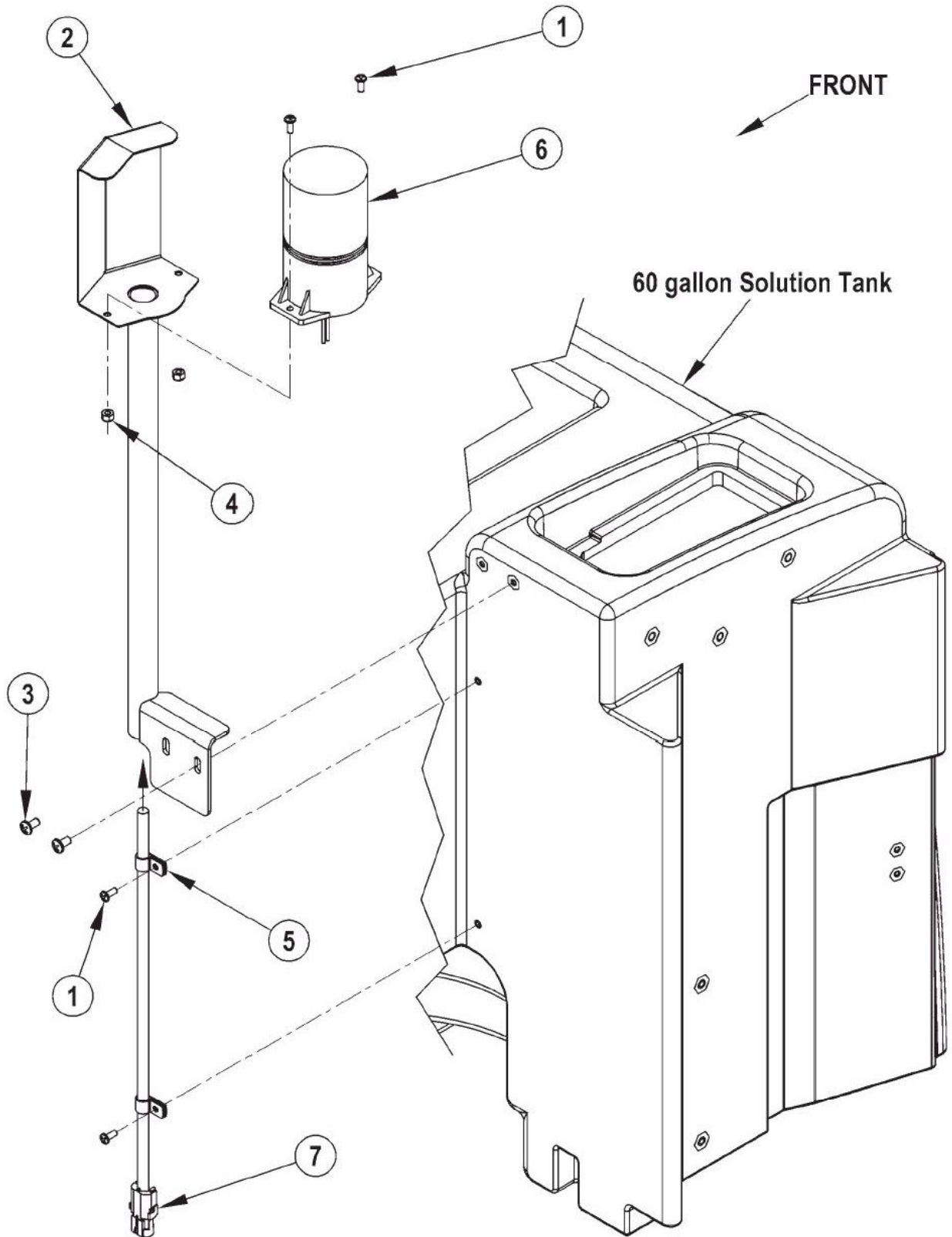


---

Pos.	Artikel-Nr.	Menge	Variante	Notes
00	56305482	1	Warnleuchte	[1]
01	56001993	4	SCR PAN HD PHIL 10-24X.50	
02	56002145	2	Schraube 1/4 20x .50	
03	56002832	2	6-Kt Mutter Nylon	
04	56172017	2	P-CLIP E00129	
05	56305223	1	Rundumleuchte	[2]
06	56305481	1	TUBE WELDMENT	
07	56305513	1	Schutzrohr für	

## Part Notes:

- [1] - Standard on CR 1200 an 1400 models
- [2] - EXPIRED USE 56510893



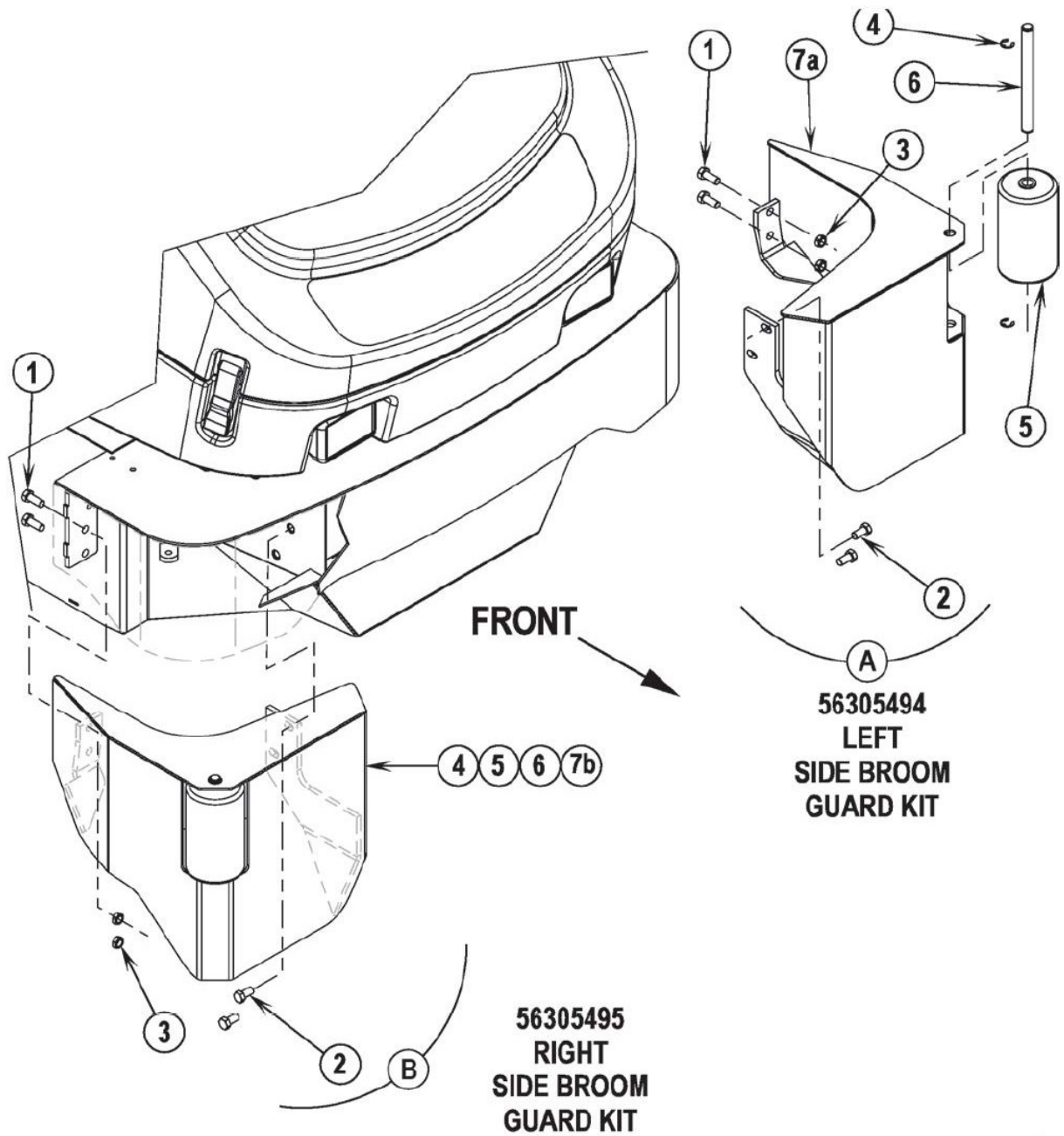


---

Pos.	Artikel-Nr.	Menge	Variante	Notes
00	56305881	1	BEACON KIT 60	[1]
01	56001993	4	SCR PAN HD PHIL 10-24X.50	
02	56305883	1	BEACON MOUNT WELDMENT 60	
03	56002145	2	Schraube 1/4 20x .50	
04	56002832	2	6-Kt Mutter Nylon	
05	56172017	2	P-CLIP E00129	
06	56305223	1	Rundumleuchte	[2]
07	56305513	1	Schutzrohr für	

## Part Notes:

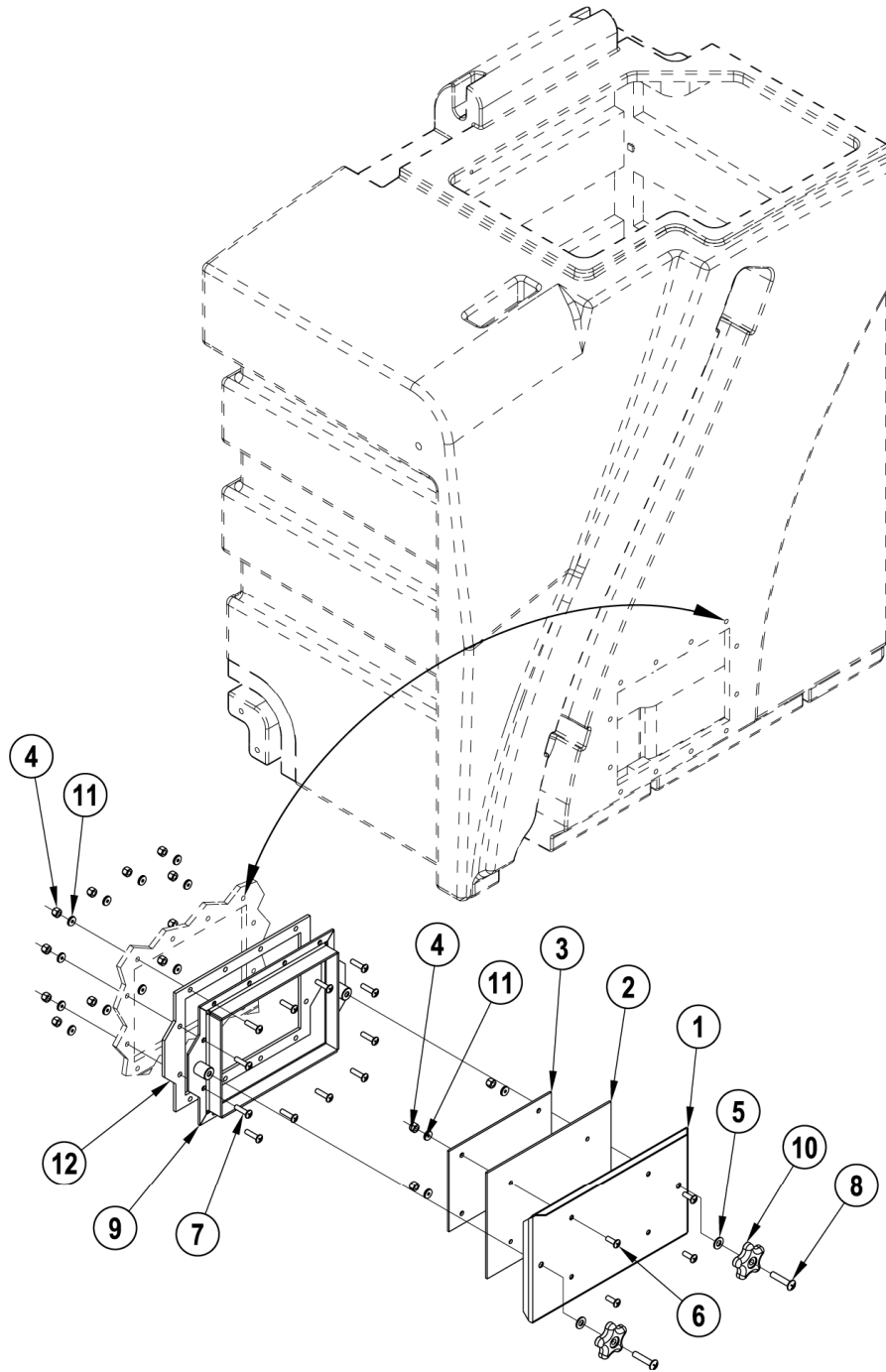
- [1] - Standard on CR 1100 models
- [2] - EXPIRED USE 56510893



Pos.	Artikel-Nr.	Menge	Variante	Notes
00	56305652	1	Stoss-Schutz Seitenbesen, re./li.	[1]
01	56001831	2	Schraube 1/2-13X1,25	
02	56001895	2	SCR HEX HD 1/2-13 X 1.00	
03	56002843	2	NUT HEX NYL LOC-THIN1/2-1	
04	56003266	2	Sicherungsring	
05	56409335	1	BUMPER ROLLER	
06	56409336	1	PIN	
07A	56305322	1	Seitenschutz, links	
07B	56305321	1	Seitenschutz, rechts	
0A	56305494	1	Schutz f. Setenbesen li.	
0B	56305495	1	Anfahrerschutz Seitenbesen, rechts	

## Part Notes:

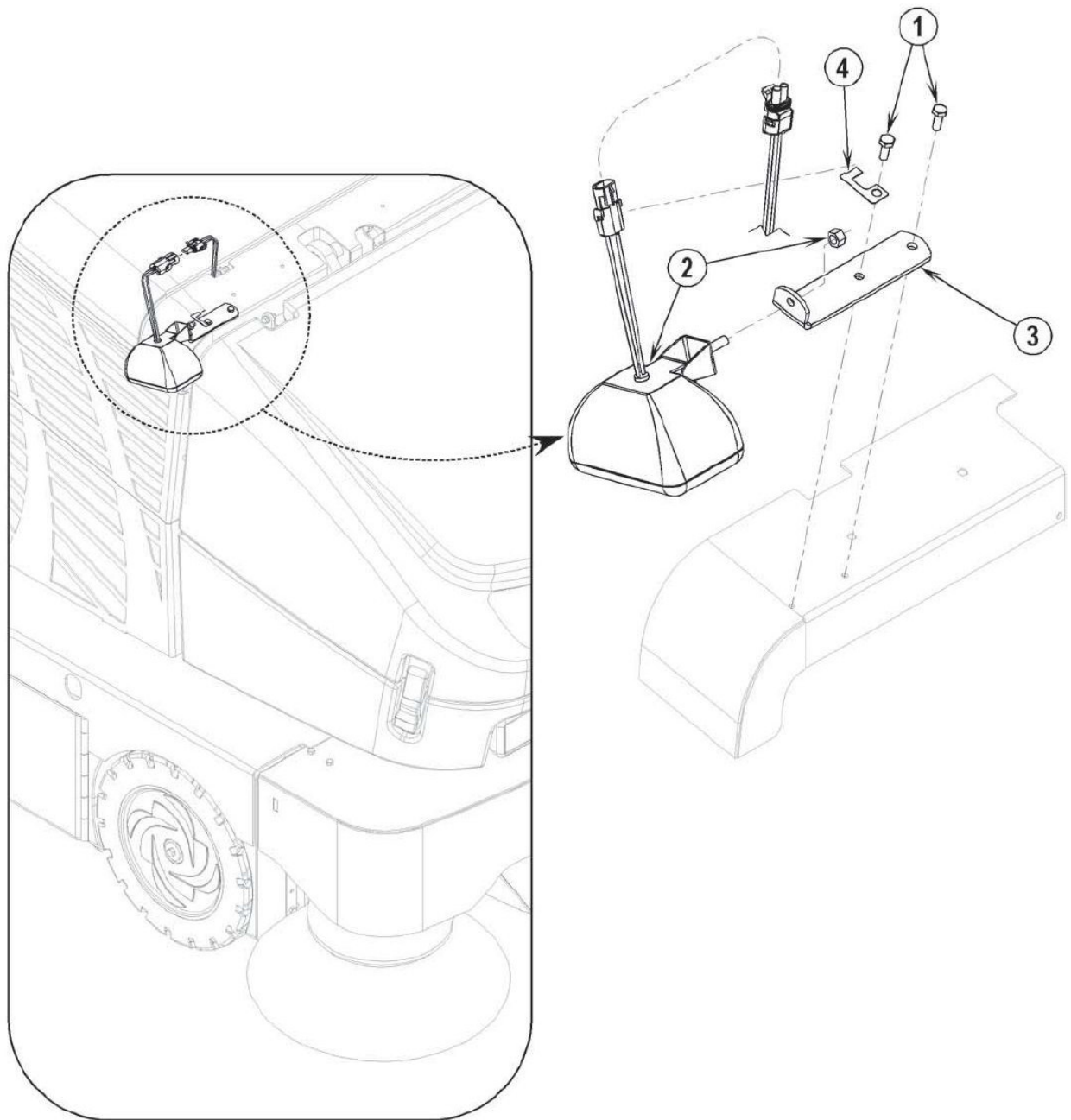
[1] - Items A and B



Pos.	Artikel-Nr.	Menge	Variante	Notes
00	56303572	1	Revisionsklappe	[1]
01	56459302	1	COVER	[1]
02	56459303	1	GASKET,DOOR	[1]
03	56459312	1	PLATE	[1]
04	56002491	16	Stopmutter 1/4-20	
05	56002938	2	WSH FLT SAE SS 5/16	
06	56002957	4	Schraube SS 1/4 - 20 X	
07	56003067	12	Schraube 1/4-20-1.00AX 310	
08	56003208	2	SCR PAN PHIL SS 5/16-18 X 1.50	
09	56303568	1	FRAME WELDMENT	
10	56396254	2	Knopf	
11	56900737	16	UNTERLAGSSCHEIBE	
12	56303578	1	GASKET BASE	[2]

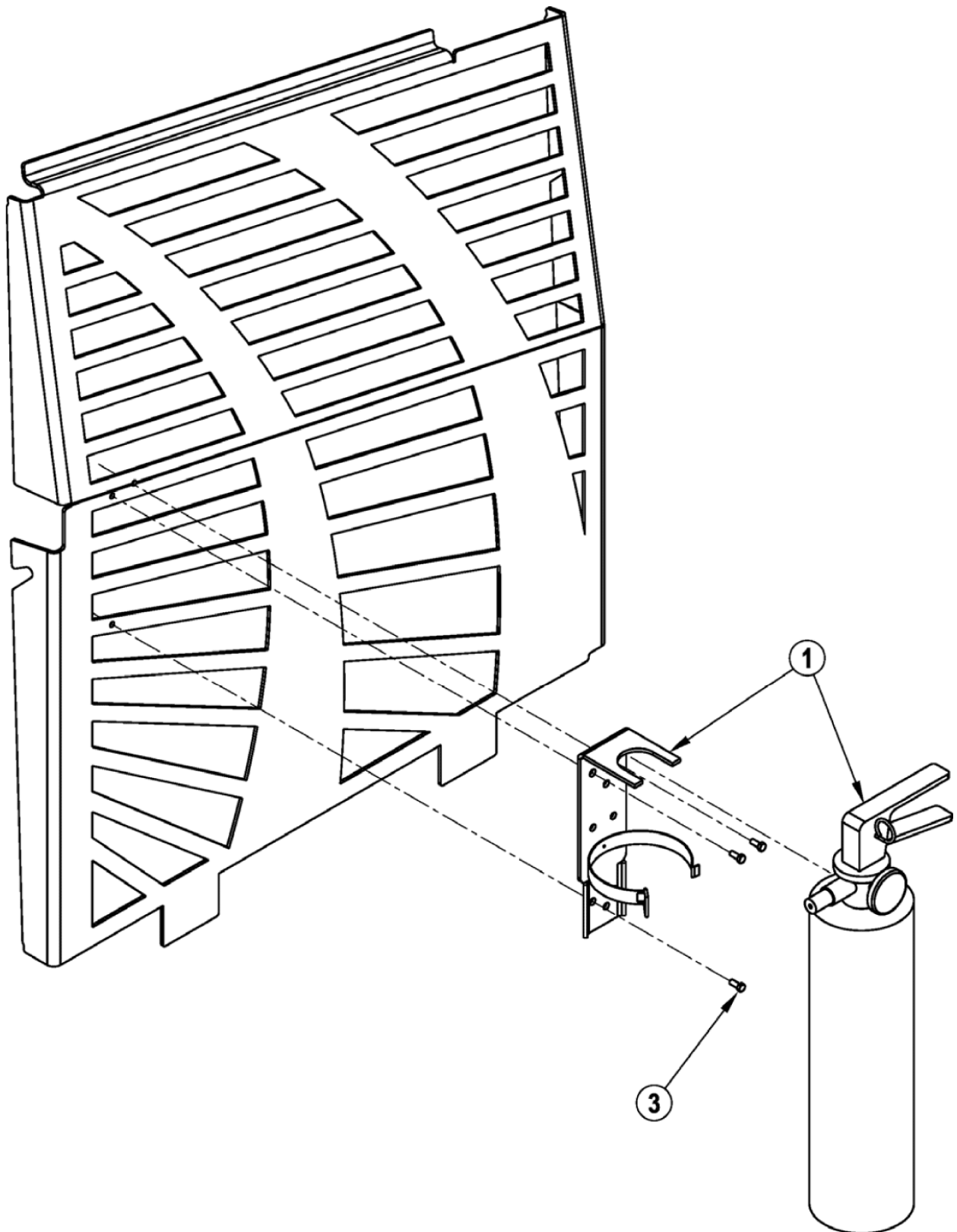
## Part Notes:

- [1] - NO LONGER AVAILABLE
- [2] - SEE PI 2017-002



---

Pos.	Artikel-Nr.	Menge	Variante	Notes
00	56305641	1	Randsteinlicht	
01	56009018	2	SCHRAUBE 1/4-20X3/4 HP5	
02	56304768	1	Lampe 12V CR 1400	
03	56305648	1	BRACKET	
04	56409769	1	CLIP WEATHER PACK	



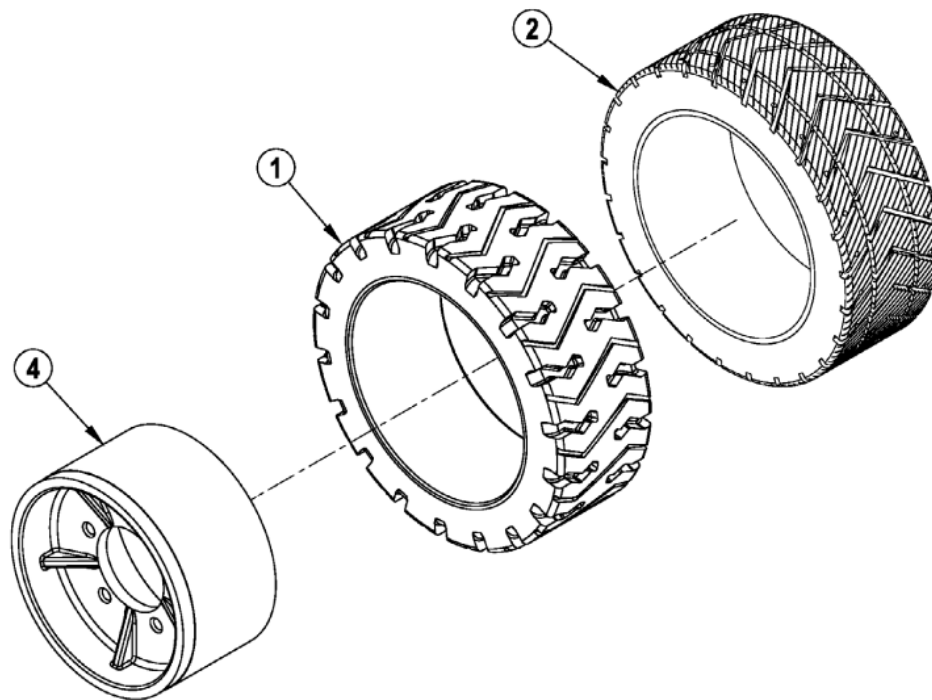
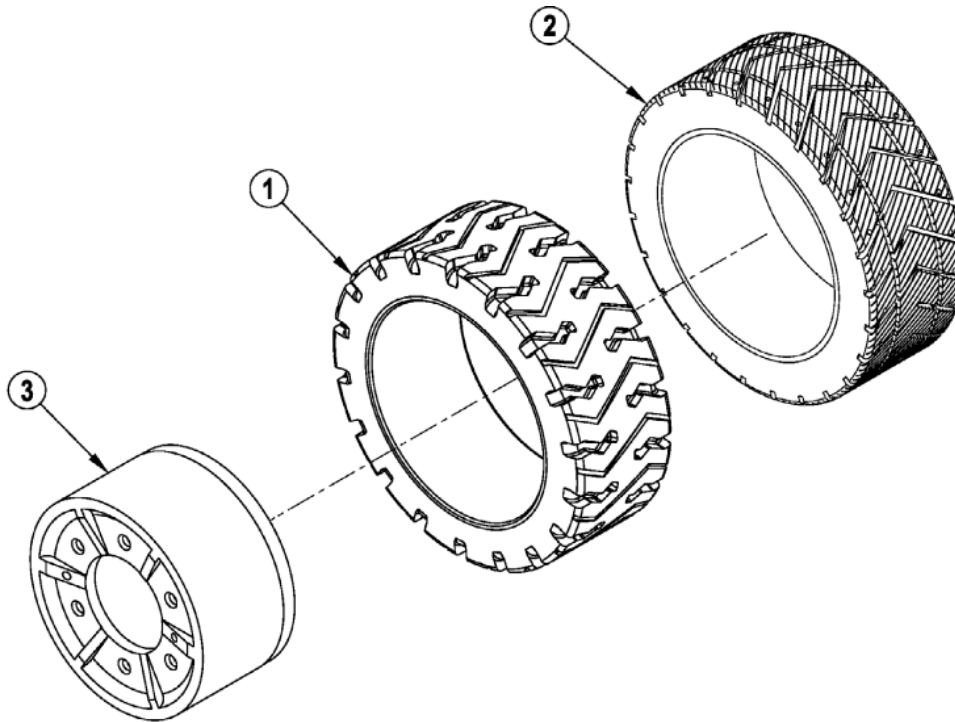


---

Pos.	Artikel-Nr.	Menge	Variante	Notes
00	56303431	1	FIRE EXTINGUISHER KIT	[1]
01	8-83-04033	1	Feuerlöscher m. Halter	[2]
03	56009019	3	Schraube 1/4-20x.38	

## Part Notes:

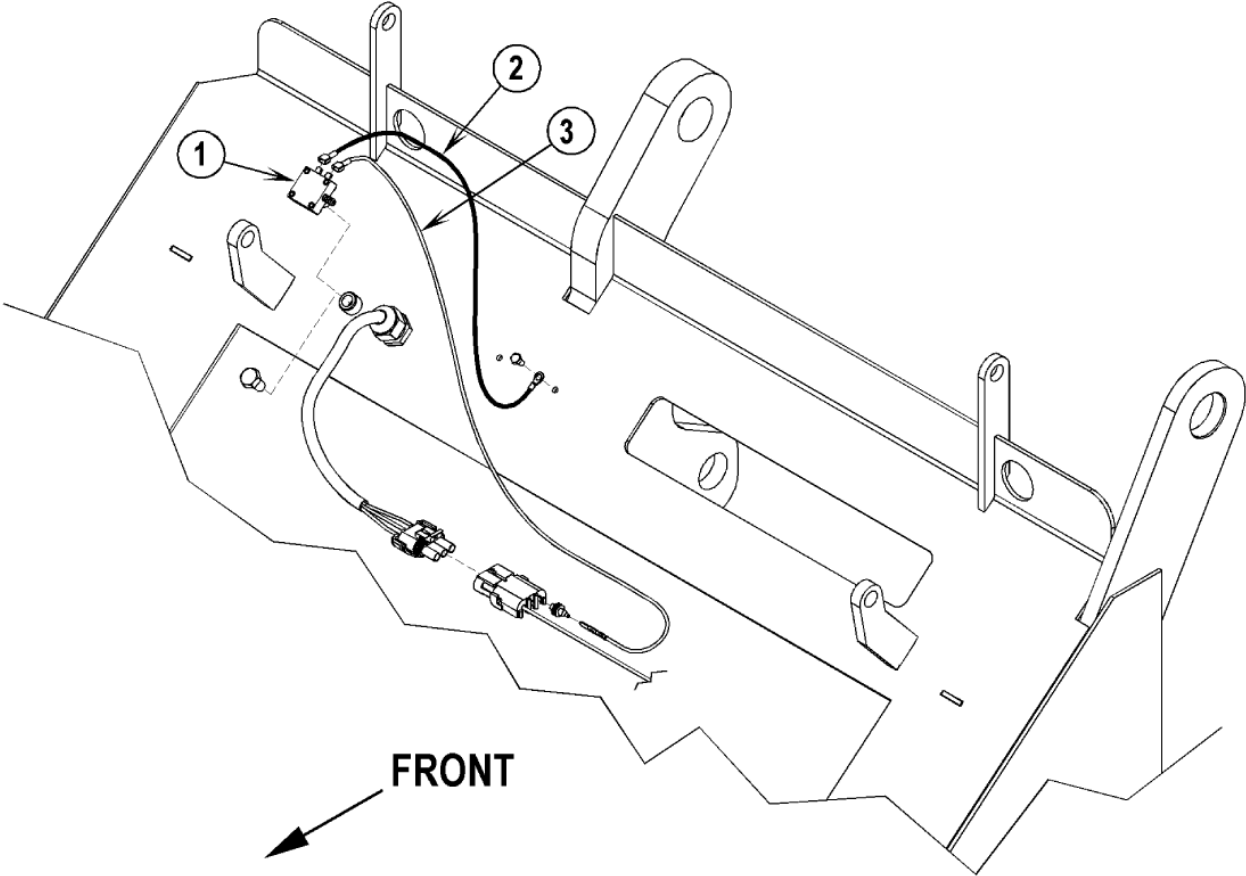
- [1] - Battery models  
EXPIRED ON 12/13/2018
- [2] - Includes bracket



Pos.	Artikel-Nr.	Menge	Variante	Notes
00	56305997	1	WHEEL ASSY 6 3X-GROOVE IC MDL	[1]
00	56305996	1	TIRE 6 3X-GROOVE	
00	56303560	1	WHEEL ASSY 6 3XGROOVE BATTERY	[2]
01	56304025	1	Vollgummirad 16,25x6	
02	56304044	1	Hinterrad	[1]
03	56304027	1	HUB REAR	
03	56303028	1	Hinterrad kpl.	[2]
03	56306207	1	Rad kpl. (Gas+Diesel)	[3]
04	56303029	1	HUB REAR	
04	56303595	1	Rad kpl. (Batterie)	[4]

## Part Notes:

- [1] - ENGINE MODELS
- [2] - BATTERY MODELS
- [3] - ENGINE MODELS, TSBUS2009-1038
- [4] - BATTERY MODELS, TSBUS2009-1038

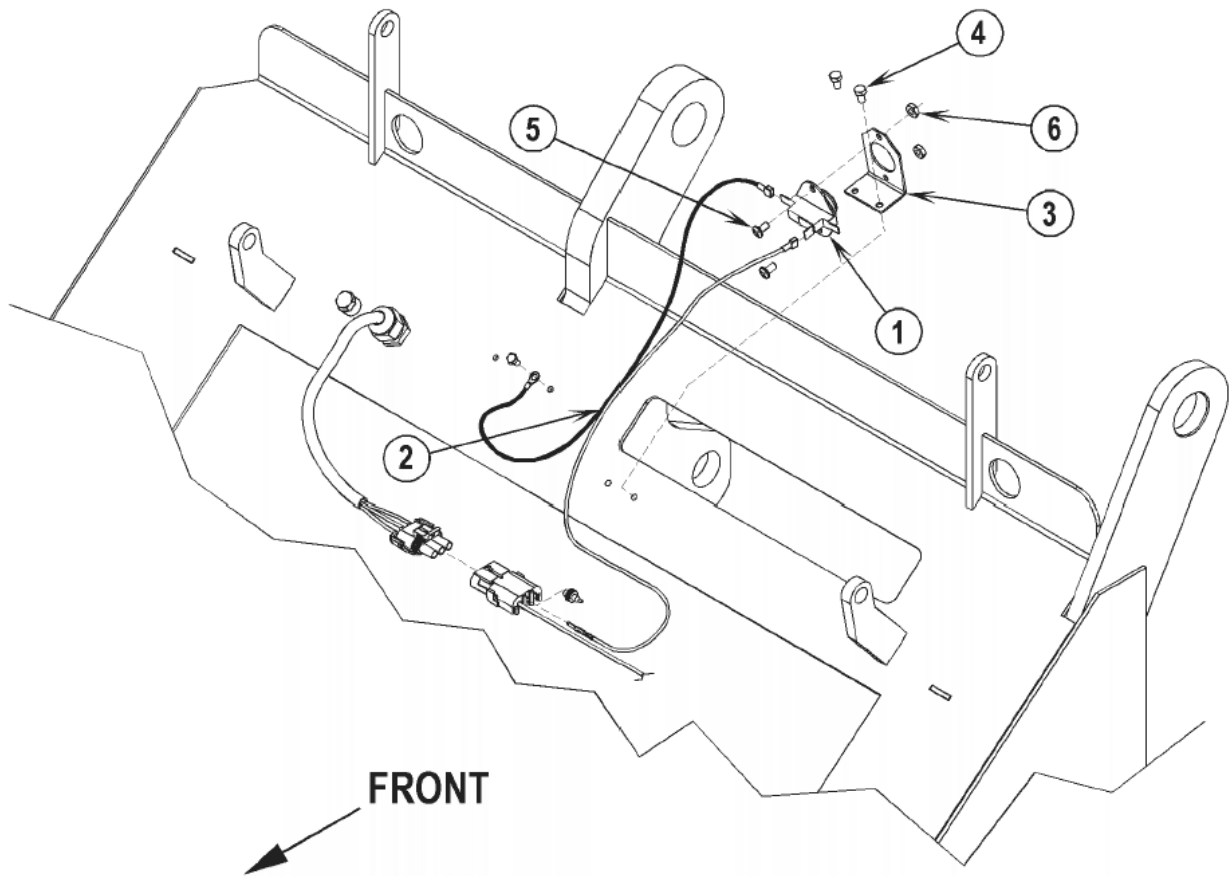


---

Pos.	Artikel-Nr.	Menge	Variante	Notes
00	56305517	1	Steuerungsset f. Filter-Kehrgutbehälter	
00	56478246	2	CABLE TIE E00549 RE438BA	[1]
01	56305518	1	SWITCH VACUUM	
02	56305479	1	BLK 18-9 WIRE ASSEMBLY	
03	56305478	1	WHT/GRA 18-2 WIRE ASSEMBLY	

## Part Notes:

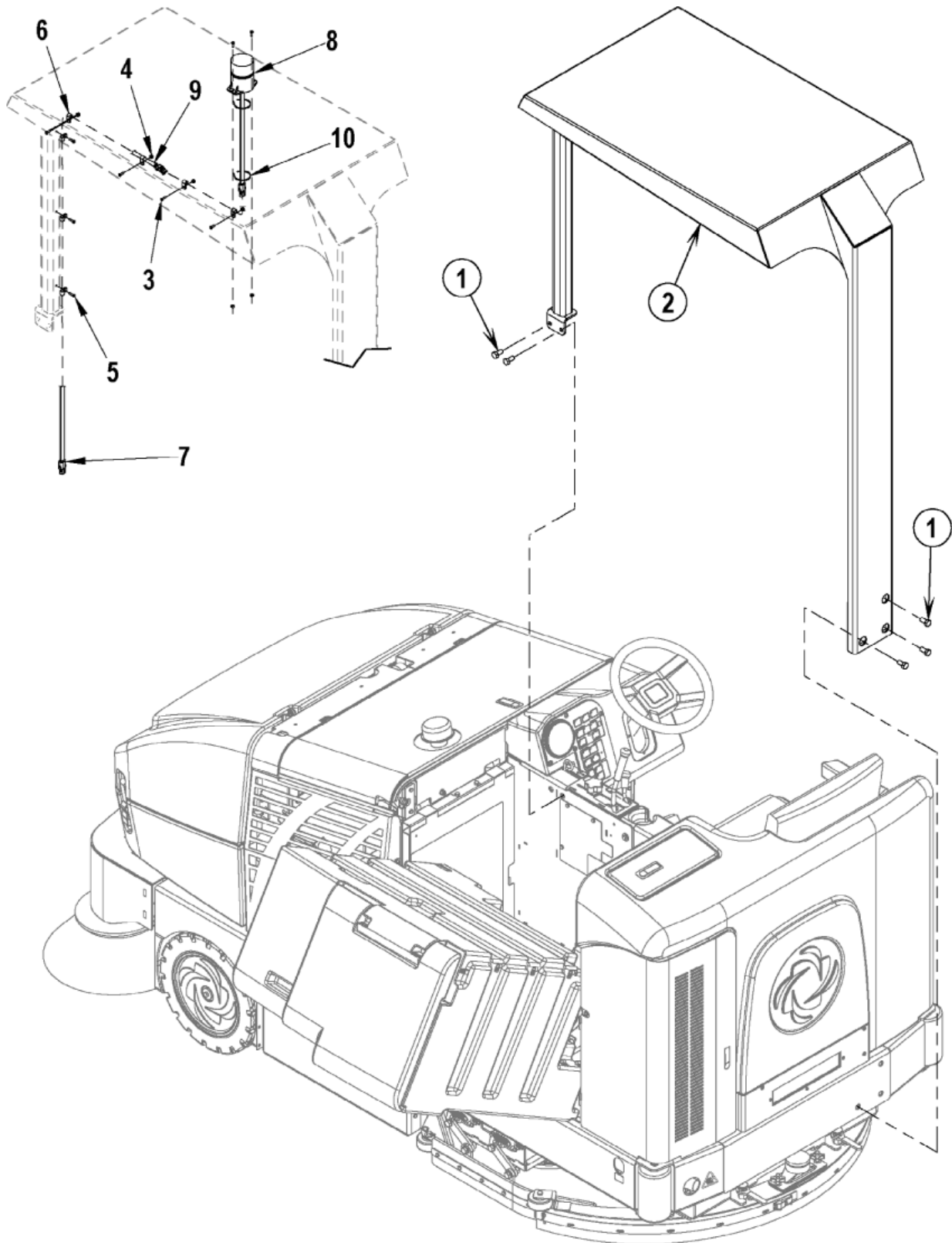
[1] - Not shown



Pos.	Artikel-Nr.	Menge	Variante	Notes
00	56305509	1	Temperaturschalter f. Kehrgutbehälter	
01	56418405	1	Thermoschalter CR 1400	
02	56304760	1	HARNESS TEMPERATURE SWITCH	
02	56478246	2	CABLE TIE E00549 RE438BA	[1]
03	56418440	1	BRACKET	
04	56009012	2	Schraube 10-24 x 3/8 Siehe 56009039	
05	56001818	2	SCR PAN PHIL 8-32 X .38	
06	56002877	2	NUT HEX NYL LOC SS 8-32	

## Part Notes:

[1] - Not shown

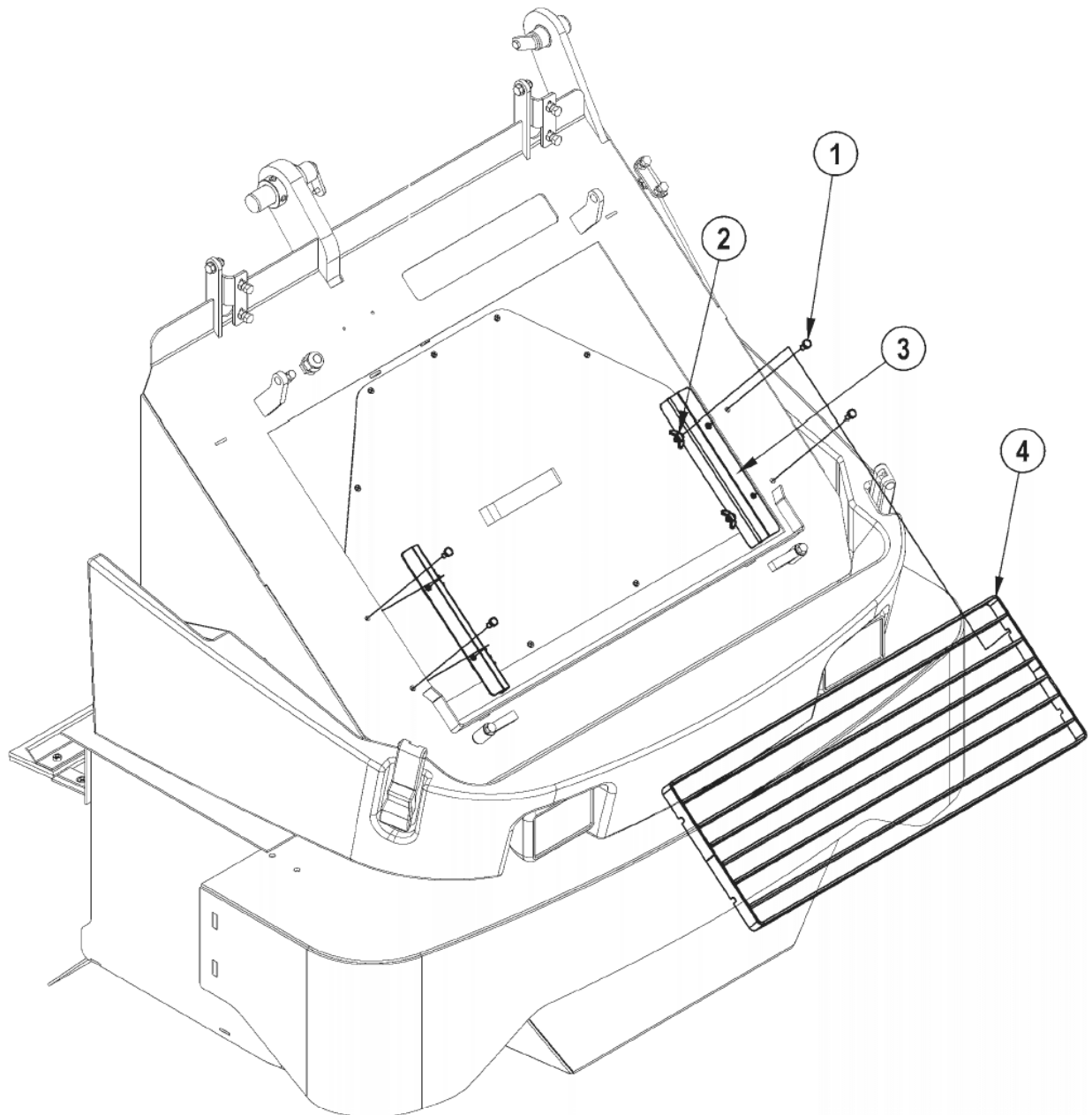




Pos.	Artikel-Nr.	Menge	Variante	Notes
	56303579	1	OH GUARD BEACON KIT	
	56303573	1	OVERHEAD GUARD KIT	
	56305637	1	Fahrerschutzdach	[1]
01	56003083	5	Radbolzen	[2]
02	56305637	1	Fahrerschutzdach	
02	56305687	1	TRIM EDGE	[3]
02	56305705	2	TRIM EDGE	[4]
02	56303574	1	GUARD WELDMENT	[5]
03	56002124	6	Schraube10-24 X .62 PNH PH.	
04	56002768	6	1/4-20 NYLOC NUT	
05	56009043	3	SCR PAN PHIL THD FORM10-24X.75	
06	56172017	7	P-CLIP E00129	
07	56307165	1	HARNESS BEACON	
08	56307166	1	Rundumleuchte	
09	56307171	1	CONDUIT	[6]
10	56478246	2	CABLE TIE E00549 RE438BA	

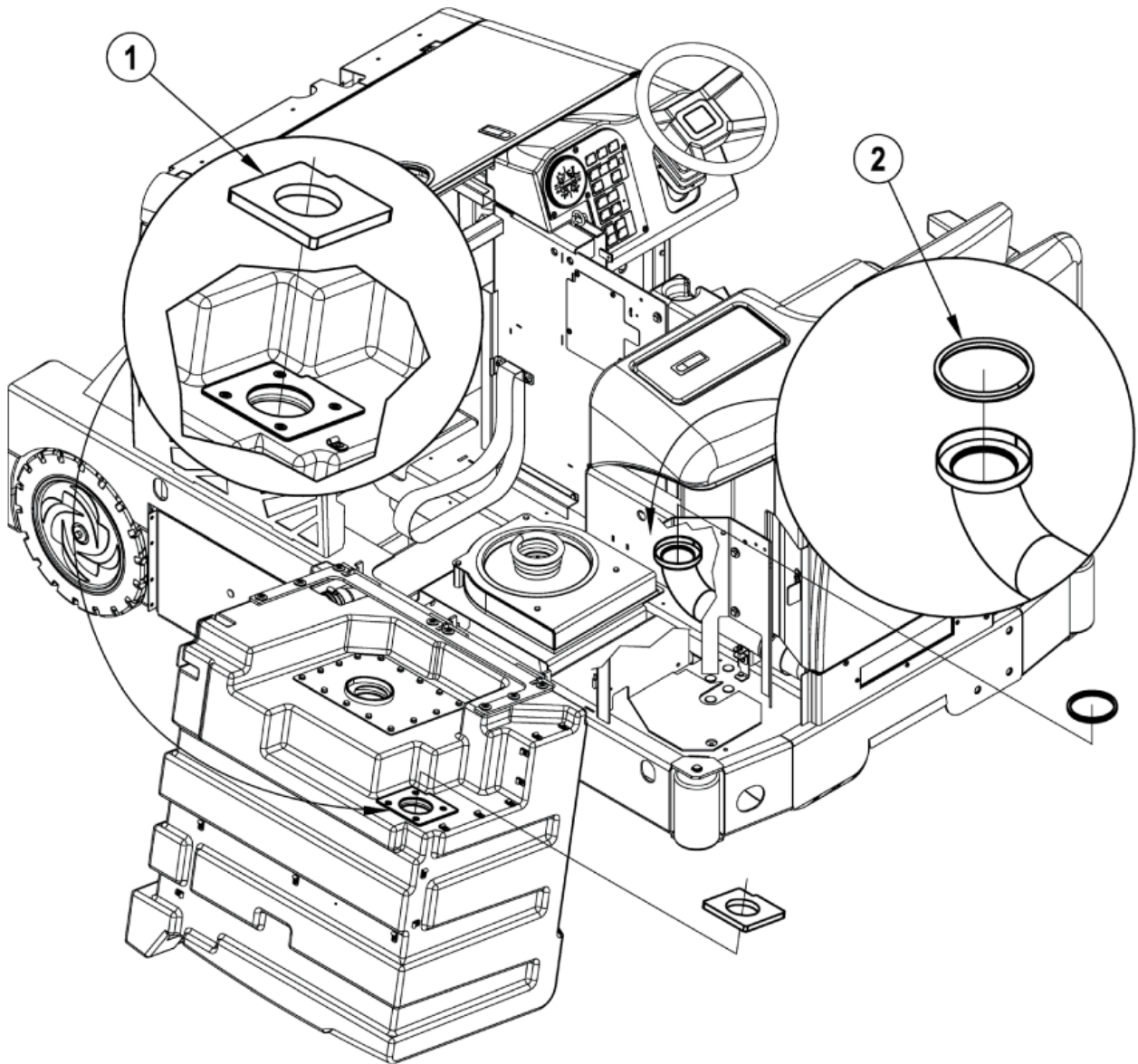
## Part Notes:

- [1] - Low Clearance
- [2] - Grade 5
- [3] - Pre-assembled to item 2 oval cutaout
- [4] - Pre-assembled to item 2
- [5] - 56303573
- [6] - SEE PI 2017-002



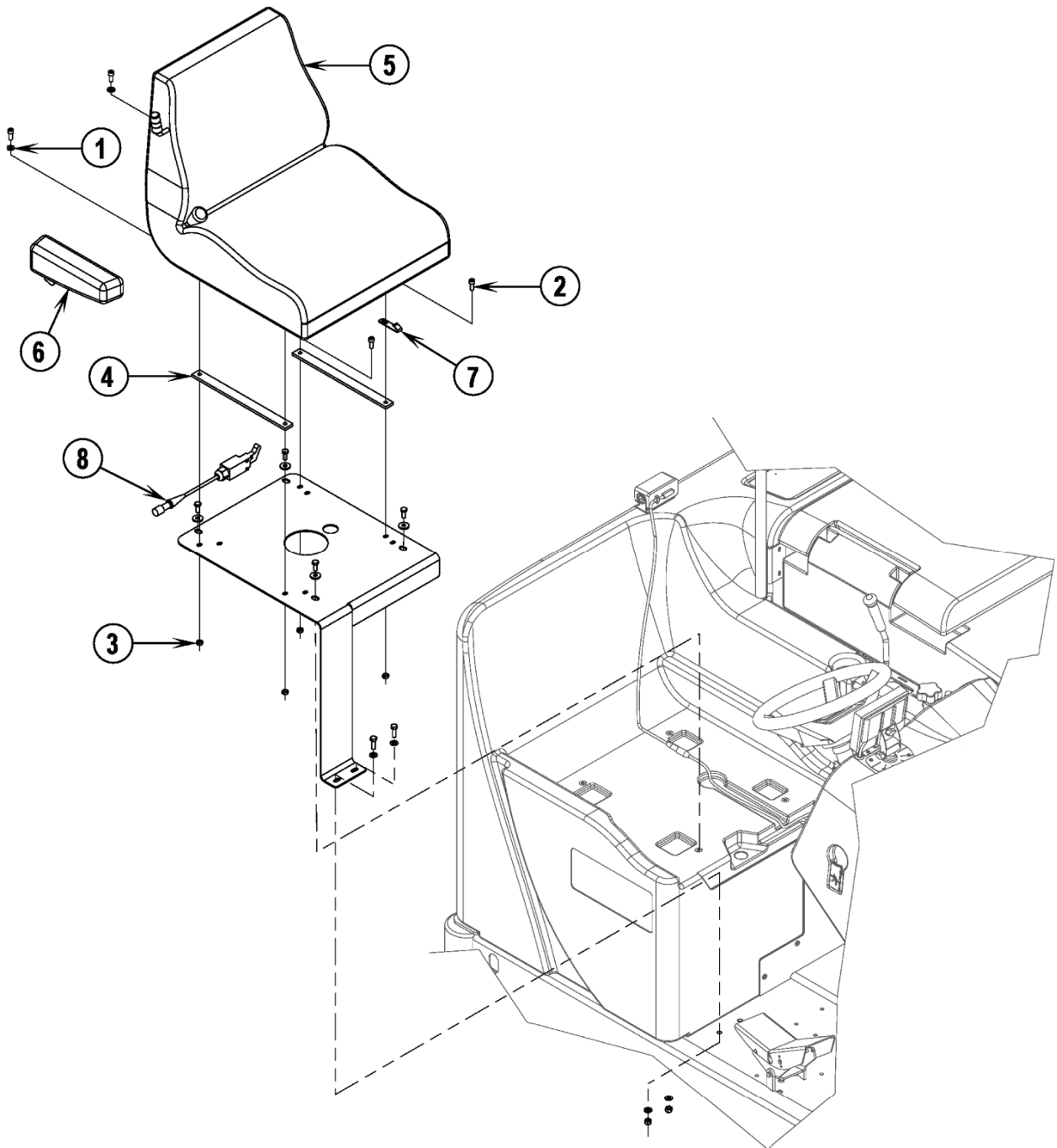
---

Pos.	Artikel-Nr.	Menge	Variante	Notes
00	56305794	1	Grobschmutzgitter-Set	
01	56003039	4	Schraube 1/4-20	
02	56009048	4	FLUEGELMUTTER 1/4-20Ersetzt durch: 56003	
03	56305875	2	BRACKET PREFILTER	
04	56305887	1	Vorfilter	



---

Pos.	Artikel-Nr.	Menge	Variante	Notes
	56307221	1	Dichtungskit Ansaug eins.	
01	56307219	1	Schaumdichtung	
02	56307220	1	Kantenschutz	

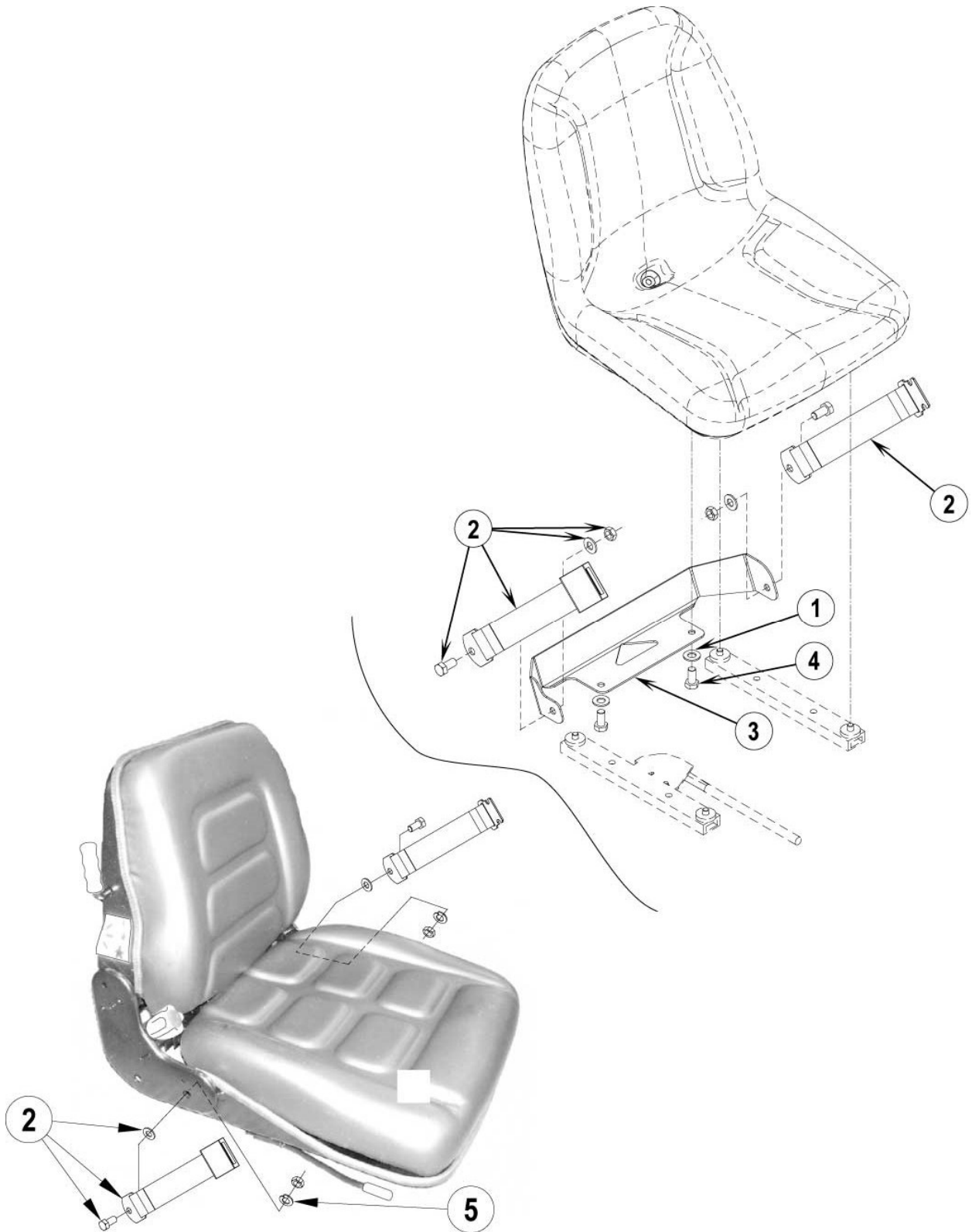


---

Pos.	Artikel-Nr.	Menge	Variante	Notes
	56303381	1	Deluxe Sitz f.	[1]
01	56001939	2	Flachdichtung 5/16	
02	56001959	4	SCR SOC HD 5/16-18 X .75	
03	56002826	4	NUT HEX NYLOC THIN 5/16-1	
04	56305191	2	SPACER SEAT	
05	56305612	1	Sitz	
06	56305613	1	Armlehne	
07	56305934	1	SLIDE STOP SEAT	
08	56303533	1	Sitzschalter f. CR1200B	

## Part Notes:

[1] - SEE PI 2017-002



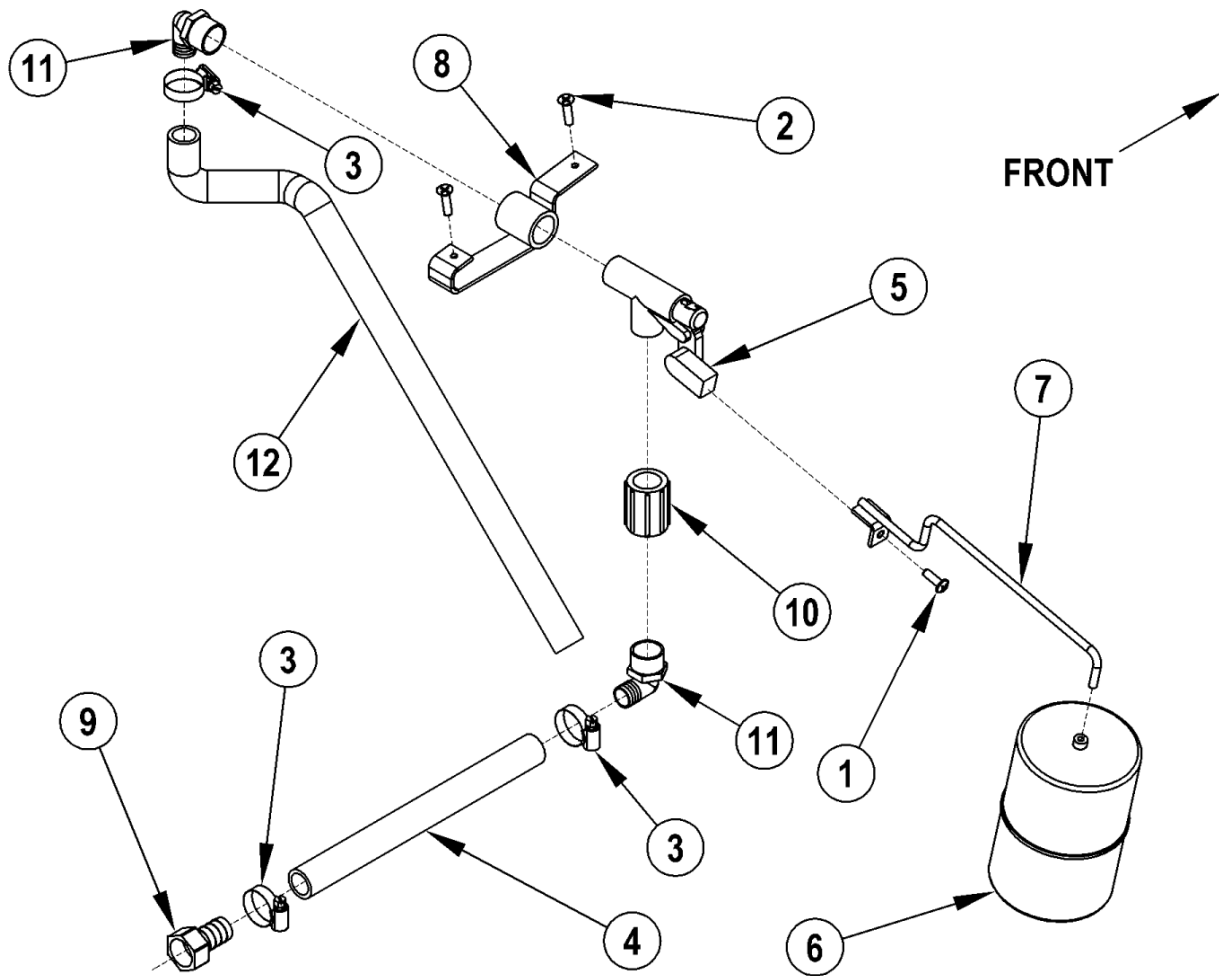


---

Pos.	Artikel-Nr.	Menge	Variante	Notes
	56109306	1	Sicherheitsgurt-Kit	[1]
01	56001939	2	Flachdichtung 5/16	
02		1	Seat Belt - Includes hardware - not available	[2]
03	56507886	1	BRACKET SEAT BELT MTG	
04	56001862	2	SCR HEX HD 5/16-18 X .50	
05	2-00-02312	2	Scheibe	

## Part Notes:

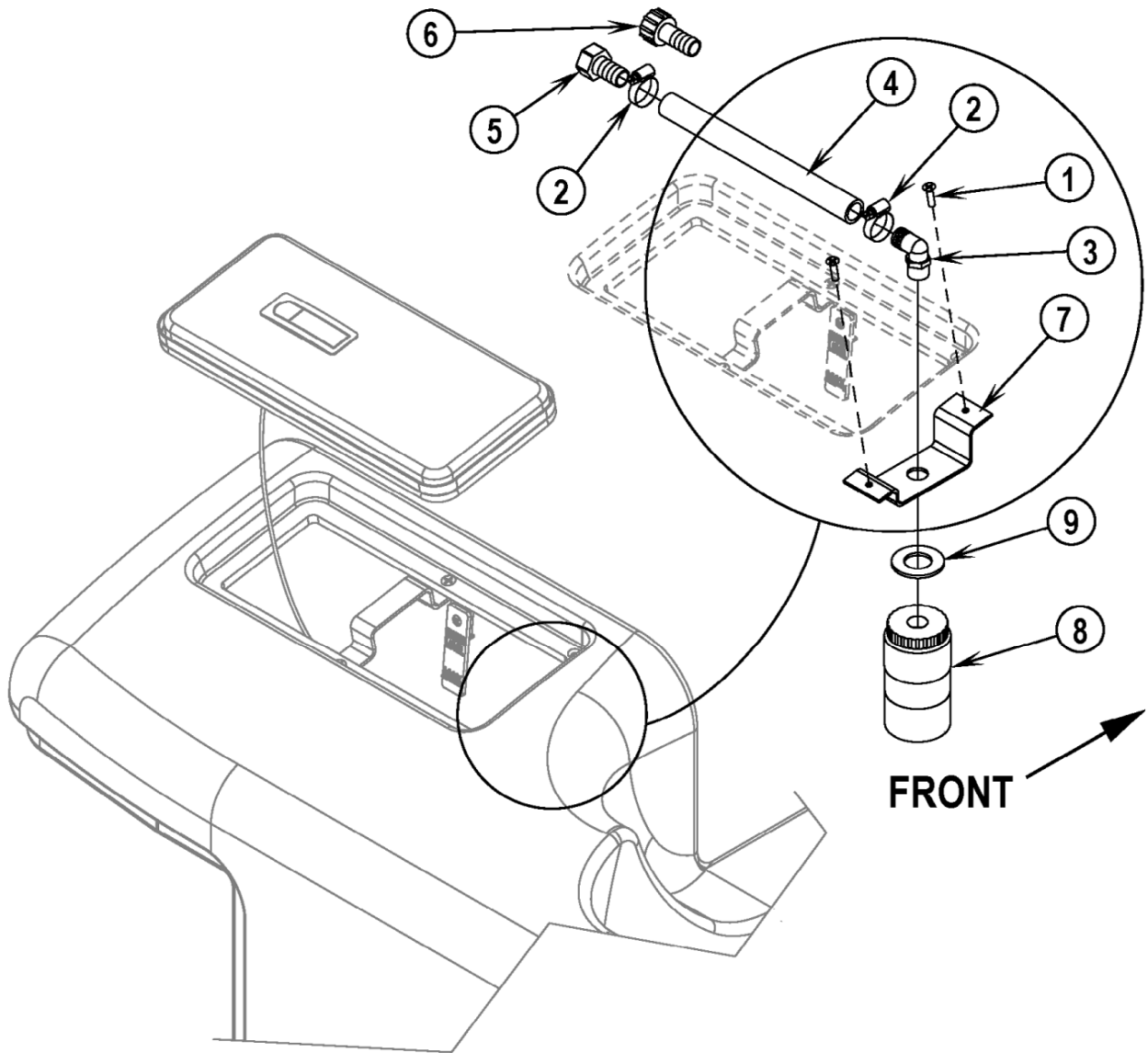
- [1] - SEE TSB-FC-2015-040  
TSB-FC-2015-040 Replacement Parts
- [2] - Seat Belt - Includes hardware - not available



Pos.	Artikel-Nr.	Menge	Variante	Notes
01	56002957	1	Schraube SS 1/4 - 20 X	
02	56009019	6	Schraube 1/4-20x.38	
03	56244969	3	Schlauch-Bride	
04	56305318	1	HOSE 10.5 SPIRAL E00605	
05	56305566	1	VALVE FLOAT	[1]
07	56305586	1	FLOAT ARM WELDMENT	[2]
08	56305896	1	Füllstandsabschaltung	
09	56305599	1	FITTING GH TO BARB	
10	56305636	1	COUPLING 3/4 NPT PVC	[3]
11	56456802	2	Winkelracor	
12	56459674	1	HOSE SPIRAL E00605	

## Part Notes:

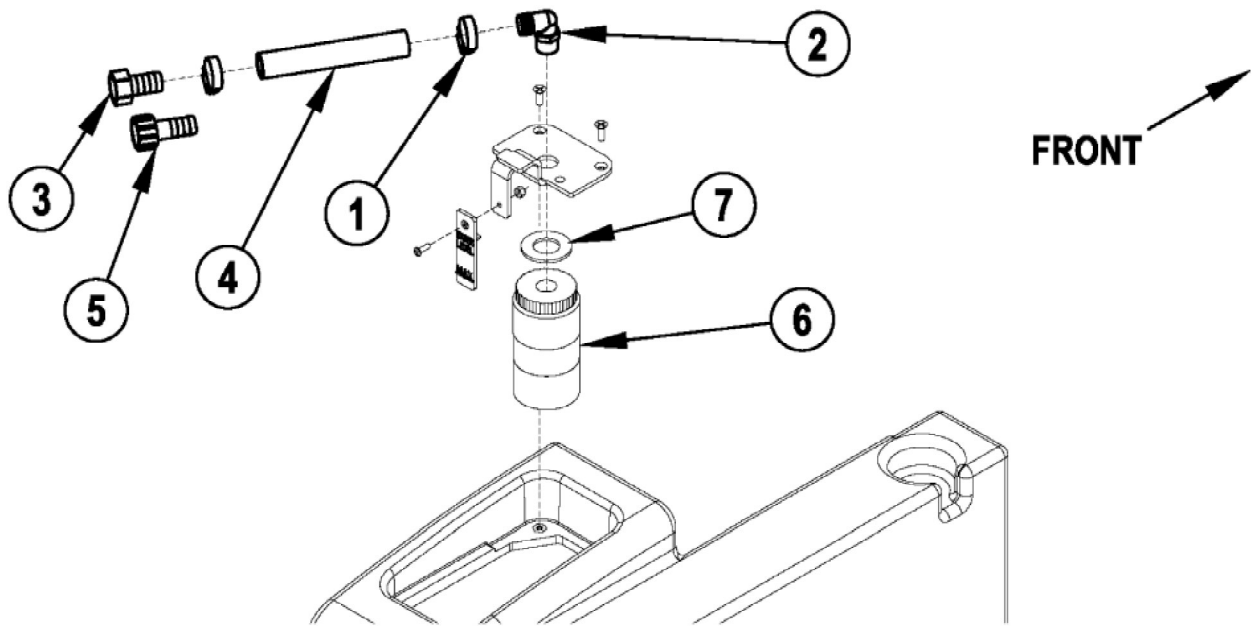
- [1] - STOCK COVERS GUARANTEE
- [2] - NO LONGER AVAILABLE
- [3] - SEE PI 2017-002



Pos.	Artikel-Nr.	Menge	Variante	Notes
00	56305896	1	Füllstandsabschaltung	
01	56003074	2	Schraube FLT PHIL SS	
02	56244969	2	Schlauch-Bride	
03	56244985	1	DRAHT	
04	56305318	1	HOSE 10.5 SPIRAL E00605	
06	56305835	1	BARB FEMALE SWIV3/4-14GASX19MM	[1]
07	56305888	1	BRACKET	
08	56314210	1	VALVE AUTOFILL	[2]
09	2-00-05239	1	WSHR-FLAT 2.000X1.063X.125 SST	[3]

## Part Notes:

- [1] - European
- [2] - MULTPL REPL SEE CUST SRVC
- [3] - EXPIRED USE 56004012

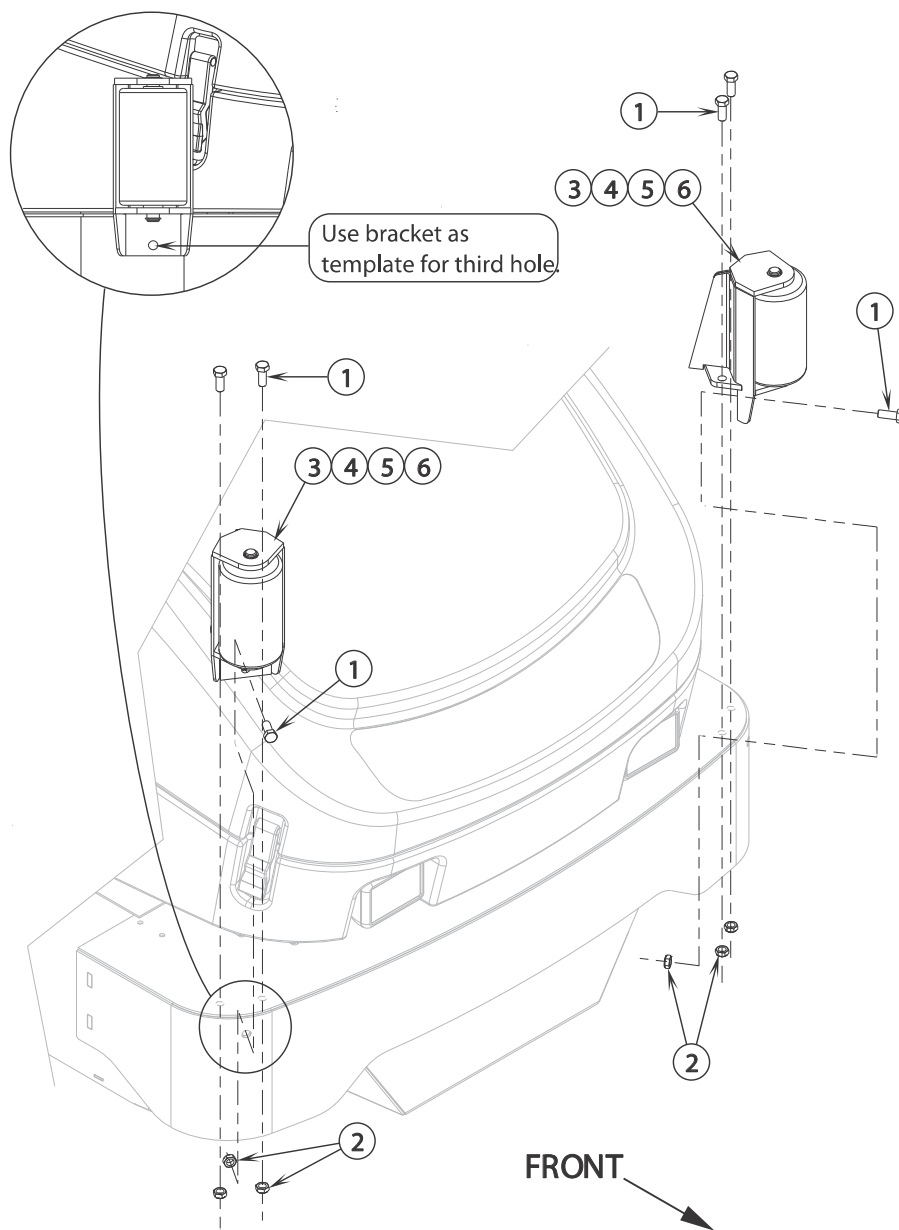


---

Pos.	Artikel-Nr.	Menge	Variante	Notes
00	56305820	1	Füllstandsabschaltung	
01	56244969	2	Schlauch-Bride	
02	56244985	1	DRAHT	
04	56305762	1	Schlauch	
05	56305835	1	BARB FEMALE SWIV3/4-14GASX19MM	[1]
06	56314210	1	VALVE AUTOFILL	[2]
07	2-00-05239	1	WSHR-FLAT 2.000X1.063X.125 SST	[3]

## Part Notes:

- [1] - European
- [2] - MULTPL REPL SEE CUST SRVC
- [3] - EXPIRED USE 56004012



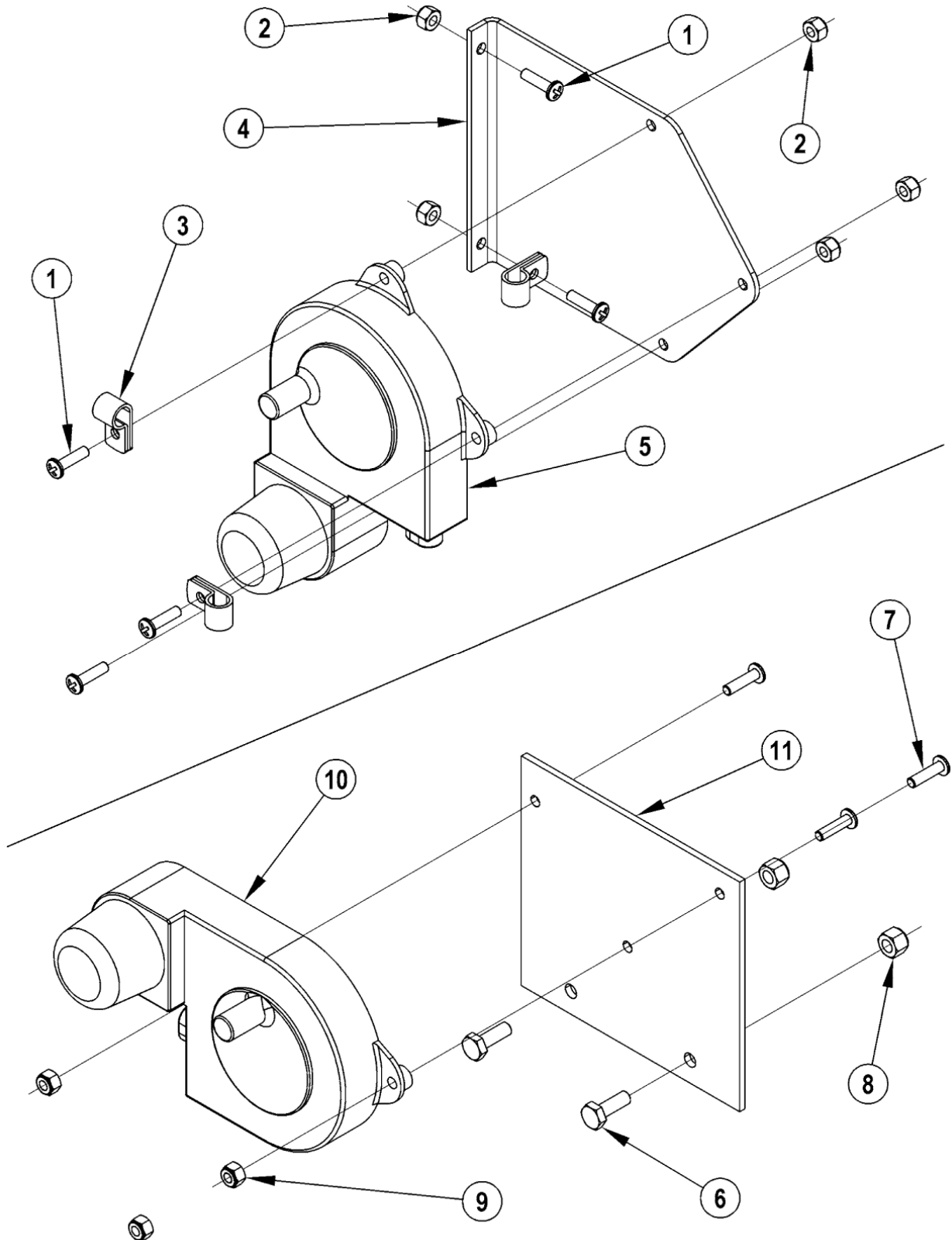


---

Pos.	Artikel-Nr.	Menge	Variante	Notes
00	56305493	1	Abweisrolle, gross	[1]
01	56001895	6	SCR HEX HD 1/2-13 X 1.00	
02	56002843	6	NUT HEX NYL LOC-THIN1/2-1	
03	56003266	4	Sicherungsring	
04	56409335	2	BUMPER ROLLER	
05	56409336	2	PIN	
06	56305332	2	ROLLER BUMPER BRACKET WELDMENT	

## Part Notes:

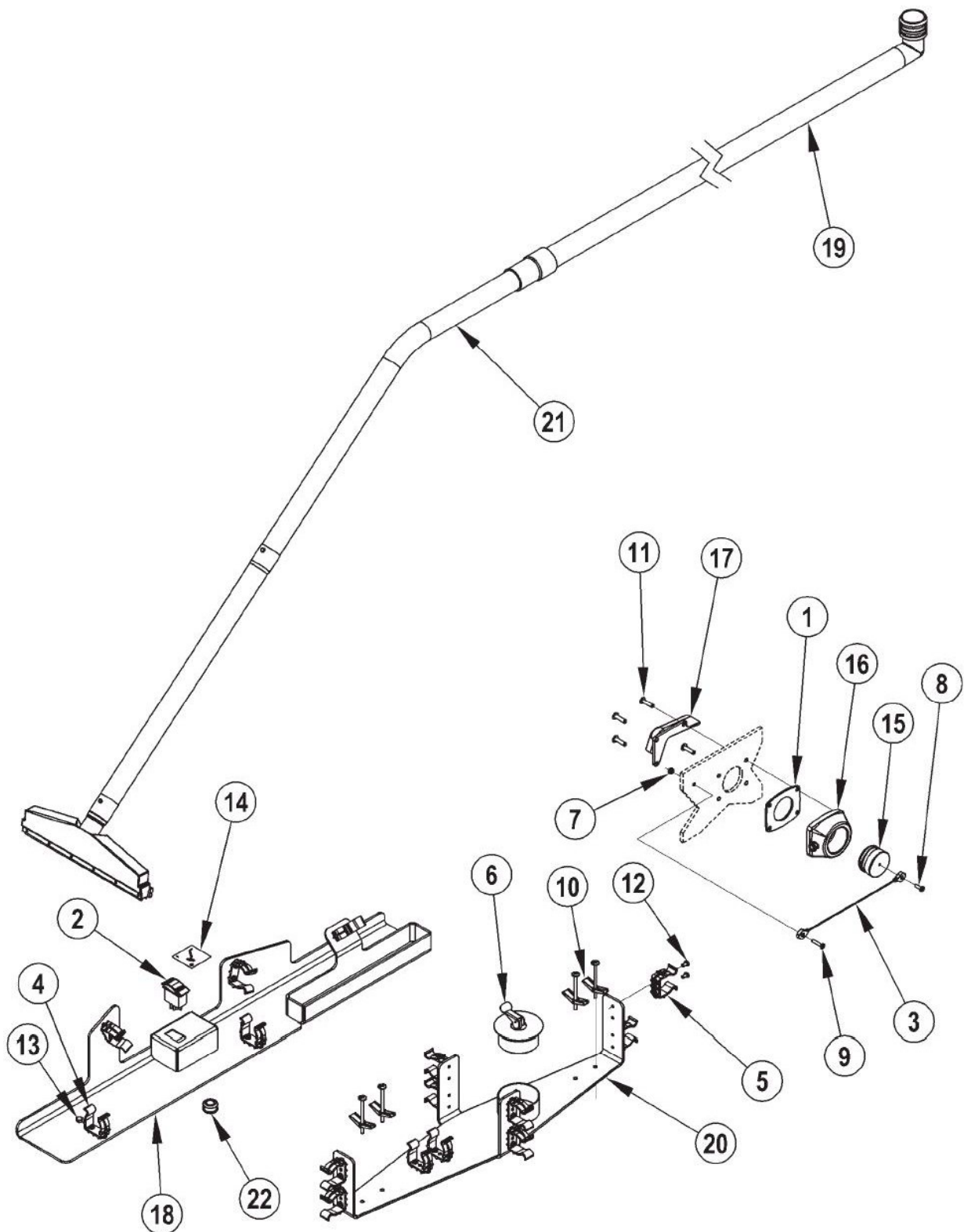
[1] - PRUNED ACCESSORY



Pos.	Artikel-Nr.	Menge	Variante	Notes
00	56303362	1	TROUBLE LAMP KIT	[1]
01	56002192	5	SCR PAN HD PHIL 10-24X.75	
02	56002768	5	1/4-20 NYLOC NUT	
03	56172017	3	P-CLIP E00129	
04	56305626	1	BRACKET LIGHT MOUNT	[2]
05	56305627	1	TROUBLE LAMP	[3]
06	56002155	2	SCR HEX 1/4-20 X .75	
07	56002192	3	SCR PAN HD PHIL 10-24X.75	
08	56002708	2	Stopmutter 1/4-20	
09	56002768	3	1/4-20 NYLOC NUT	
10	56303354	1	TROUBLE LAMP 36V	[3]
11	56303361	1	BRACKET TROUBLE LAMP	

## Part Notes:

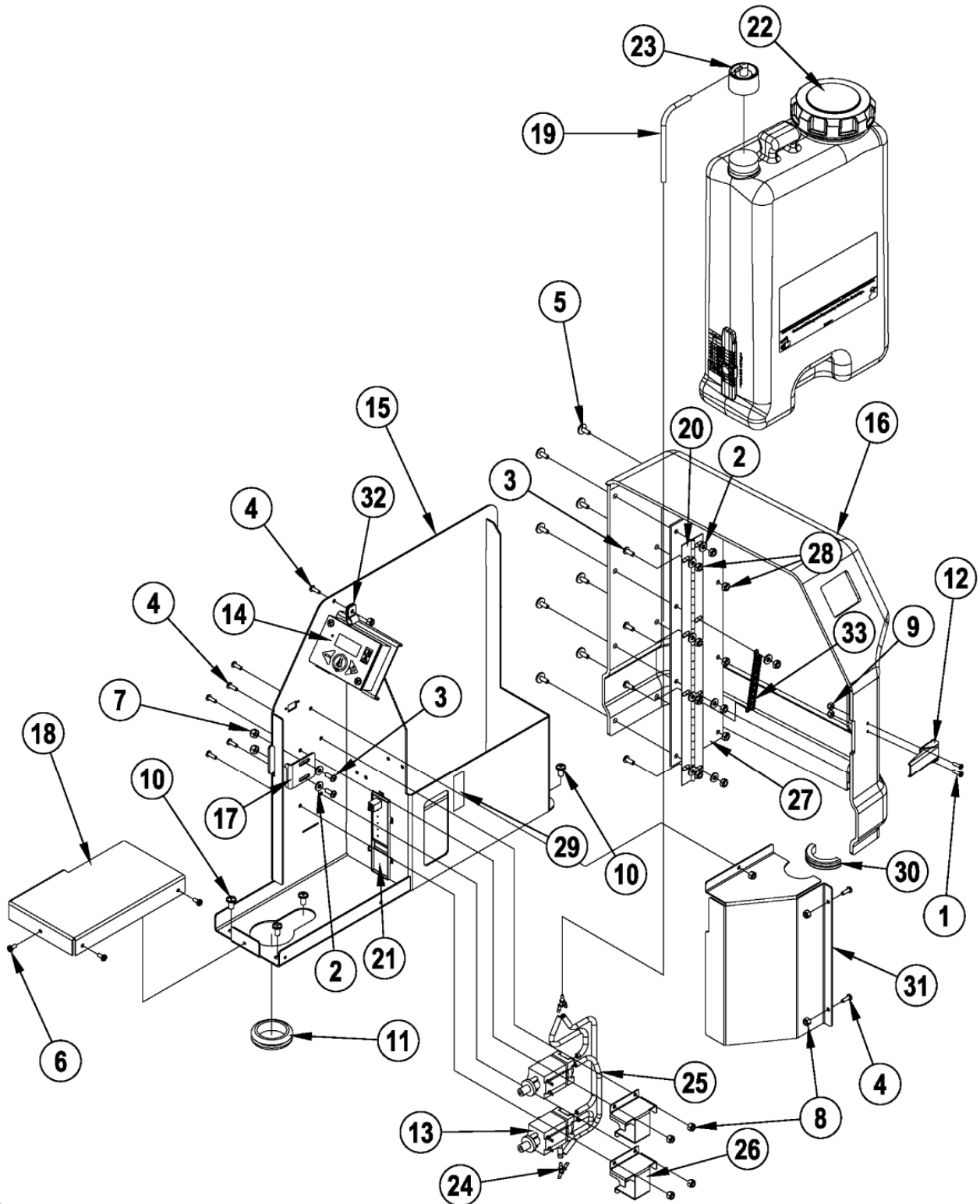
- [1] - POS 6-11, BATTERY MODELS  
STOCK COVERS GUARANTEE
- [2] - EXPIRED NO REPLACEMENT
- [3] - NO LONGER AVAILABLE



Pos.	Artikel-Nr.	Menge	Variante	Notes
00	56305530	1	Nass-Saug-Set	
01	56201390	1	Dichtung HP2	[1]
02	56209321	1	Schalter zu GW 1030	
03	56325240	1	KABEL COMPL.	
04	56392171	5	Klammer BR 1000	
05	56407361	10	Plastikklammer zu BR 850	
06	56462703	1	ABLASSZAPFEN	[2]
07	56002849	1	NUT HEX NYL LOC-THIN SS10	
08	56002896	1	Schraube SS10-24X0	
09	56002917	1	Schraube FLT PHIL SS10-24	
10	56003676	4	BOLT TOGGLE .25 X 3.00	
11	56009006	4	Schraube	
12	56009030	30	Schraube 10-2	
13	56009033	2	Schraube 1/4-20X1 2HP 5	
14	56015253	1	DECAL WAND	
15	56456078	1	PLUG	[3]
16	56205821	1	CONNECTOR ASSEMBLY	
17	56205829	1	Deflektor	[4]
18	56305529	1	WAND MOUNT WELDMENT	
19	56305539	1	HOSE ASSEMBLY	
20	56305540	1	HOSE MOUNT WELDMENT	
21	56305605	1	Bodendüse m. Lanze	
22	56453254	1	GROMMET E00059	

## Part Notes:

- [1] - STOCK COVERS GUARANTEE
- [2] - EXPIRED NO REPLACEMENT
- [3] - EXPIRED ON 2/01/2013
- [4] - SEE PI 2017-002



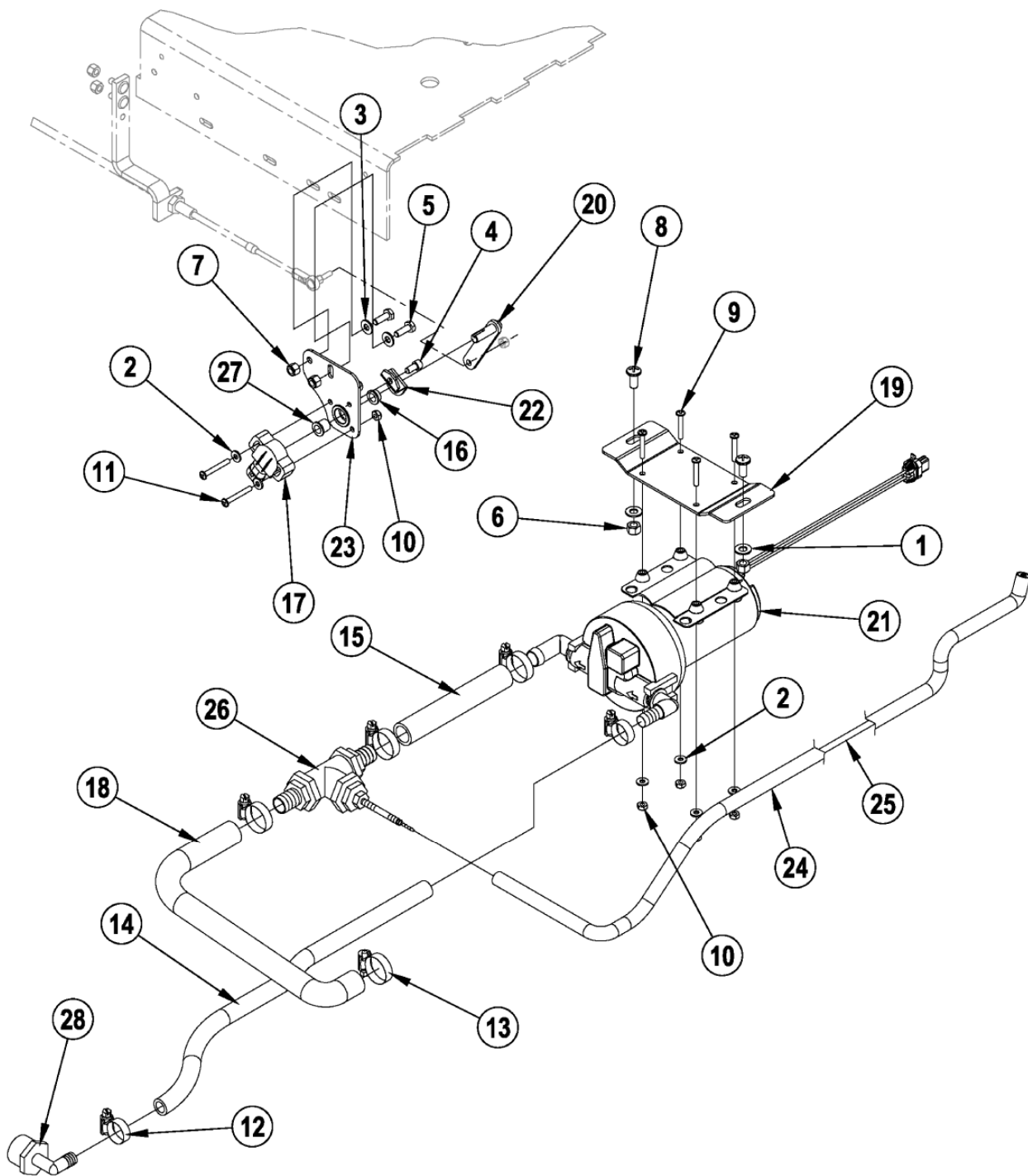
Resource notes:

NOTE 1: Latch 56109591 is the replacement for Latch 56054856. To replace a 56054856 Latch; remove the old latch, line up the new latch 56109591 with the catch, use the latch as a template to mark and drill the new mounting holes, assemble the new latch with the existing mounting hardware. Pos. 100-110= Items included with 56306138 Chemical Injection Kit

Pos.	Artikel-Nr.	Menge	Variante	Notes
	56306125	1	CONTROL BOX ASSY 12 VDC	[1]
01	56001830	2	SCR PAN PHIL 6-32 X .50	
02	56001954	10	WSH FLT SAE 10	
03	56001993	6	SCR PAN HD PHIL 10-24X.50	
04	56002003	8	SCR PAN PHIL 8-32 X .50	
05	56009100	8	SCR PANPHILT HD BLK 10-24	
06	56002523	3	SCR PAN HD PHIL HP5 8-32 X .38	
07	56002768	2	1/4-20 NYLOC NUT	
08	56002808	8	NUT HEX NYLOC 8-32	
09	56002830	2	NUT HEX NYL LOC 6-32	
10	56009033	5	Schraube 1/4-20X1 2HP 5	
100	56306125	1	CONTROL BOX ASSY 12 VDC	[2]
101	56306149	1	PUMP ASSY 12 VDC	[3]
103	56306166	1	HARNESS IC CAPTOR AXP	[4]
104	56418387	1	Relais, SPDT	[5]
105	56387316	1	Schütz 10A	[6]
106	56459367	1	Abdeckung Rückstellknopf5015	[4]
107	56009063	1	SCR HEX THD FORM 10-24X .25	[4]
108	56459825	1	Reduzierung	[4]
109	56306179	2	DECAL CR1200 EDS	[4]
11	56054715	1	GROMMET E00059	
110	56306180	2	DECAL CR1400 EDS	[4]
12	56109591	1	LATCH	[7]
13	56110742	2	Chemie Pumpe 2	
14	56111400	1	AXP Steuerung	
15	56306124	1	BOX WELDMENT CHEMICAL	
16	56306133	1	COVER CHEMICAL INJECTION	
17	56306147	1	CATCH	
18	56306148	1	COVER	
19	56306169	1	HOSE CHEM RESISTANT 17.00	
20	56306181	1	HINGE	
21	56315340	1	Chemiesensor	
22	56315690	1	CAP 38MM BUTTRESS	[4]
22	56413784	1	Einsatzstück	[4]
22	9100001817	1	CAP PLASTIC F CHEMICAL TANK SIP	[4]
22	56413999	1	EDS-Behälter	
22	56413119	1	Behälter,Reinigungsmittel	[4]
23	56315523	1	Deckel EDS-Schwimmer	
24	56413691	2	Fitting Verzweigung	
25	56413693	4	Schlauch Chemieresistent	
26	56413775	2	BRACKET PUMP MOUNT	
27	56306191	1	PLATE REINFORCING	
28	56002832	12	6-Kt Mutter Nylon	
29	56016331	1	DECAL CHEMICAL RATIO	
30	56344621	1	GROMMET 1.500 E00059	
31	56306198	1	PUMP COVER	
32	56300152	1	CLAMP CORD HA510B	[1]
33	56397301	1	HOSE PVC E00552	
33	56478246	1	CABLE TIE E00549 RE438BA	[4]

## Part Notes:

- [1] - SEE PI 2017-002
- [2] - NOT SHOWN  
SEE PI 2017-002
- [3] - NOT SHOWN  
NON-SALEABLE USE 56306140
- [4] - NOT SHOWN
- [5] - K6 - NOT SHOWN
- [6] - F8 - NOT SHOWN
- [7] - NOTE 1

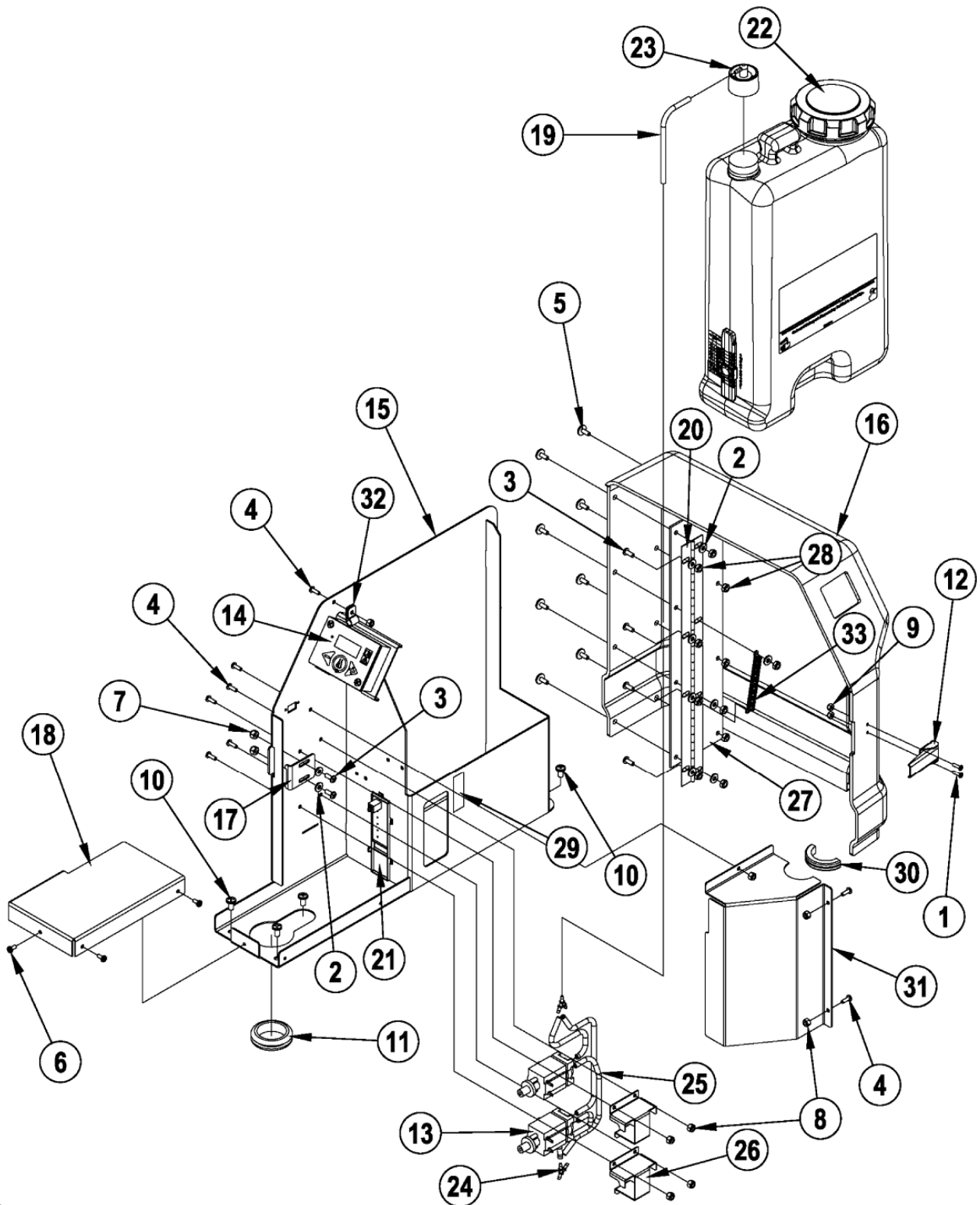




Pos.	Artikel-Nr.	Menge	Variante	Notes
	56306149	1	PUMP ASSY 12 VDC	[1]
01	56001939	2	Flachdichtung 5/16	
02	56001954	6	WSH FLT SAE 10	
03	56002098	2	Scheibe	
04	56002115	1	SCR SOC HD 1/4-20 X .50	
05	56002155	2	SCR HEX 1/4-20 X .75	
06	56002701	2	MUTTER 5-16-18 HEX JAM	
07	56002708	2	Stopmutter 1/4-20	
08	56002793	2	Schraube PAN PHIL 5/16-18	
09	56002824	4	SCR PAN PHIL 10-24X1.25	
10	56002832	6	6-Kt Mutter Nylon	
11	56003574	2	SCR PAN PHIL SS 10-24X1.50	
12	56219932	2	Briede	
13	56244969	4	Schlauch-Briede	
14	56412277	1	Schlauch f. Frischwasser-	
15	56305762	1	Schlauch	
16	56303285	1	Lager, FI .500x.375x.250	
17	56303313	1	Sensor f. Fahrpedal	[2]
18	56305591	1	HOSE SPIRAL .750 E00605	
19	56306122	1	MOUNT PUMP	
20	56306129	1	CONTROL ARM WELDT	
21	56306140	1	Pumpe 12V / 60PSI	[3]
22	56306162	1	BRACKET PIVOT	
23	56306165	1	PIVOT SENSOR WELT	
24	56306168	1	CONDUIT SOLUTION HOSE 44LG	
25	56314942	1	Schlauch	
26	56306194	1	T-Stück	
27	56508737	1	Lager	
28	56900245	1	BARB ELBOW E00037	

## Part Notes:

- [1] - NON-SALEABLE USE 56306140
- [2] - (R4)
- [3] - (M6)



Resource notes:

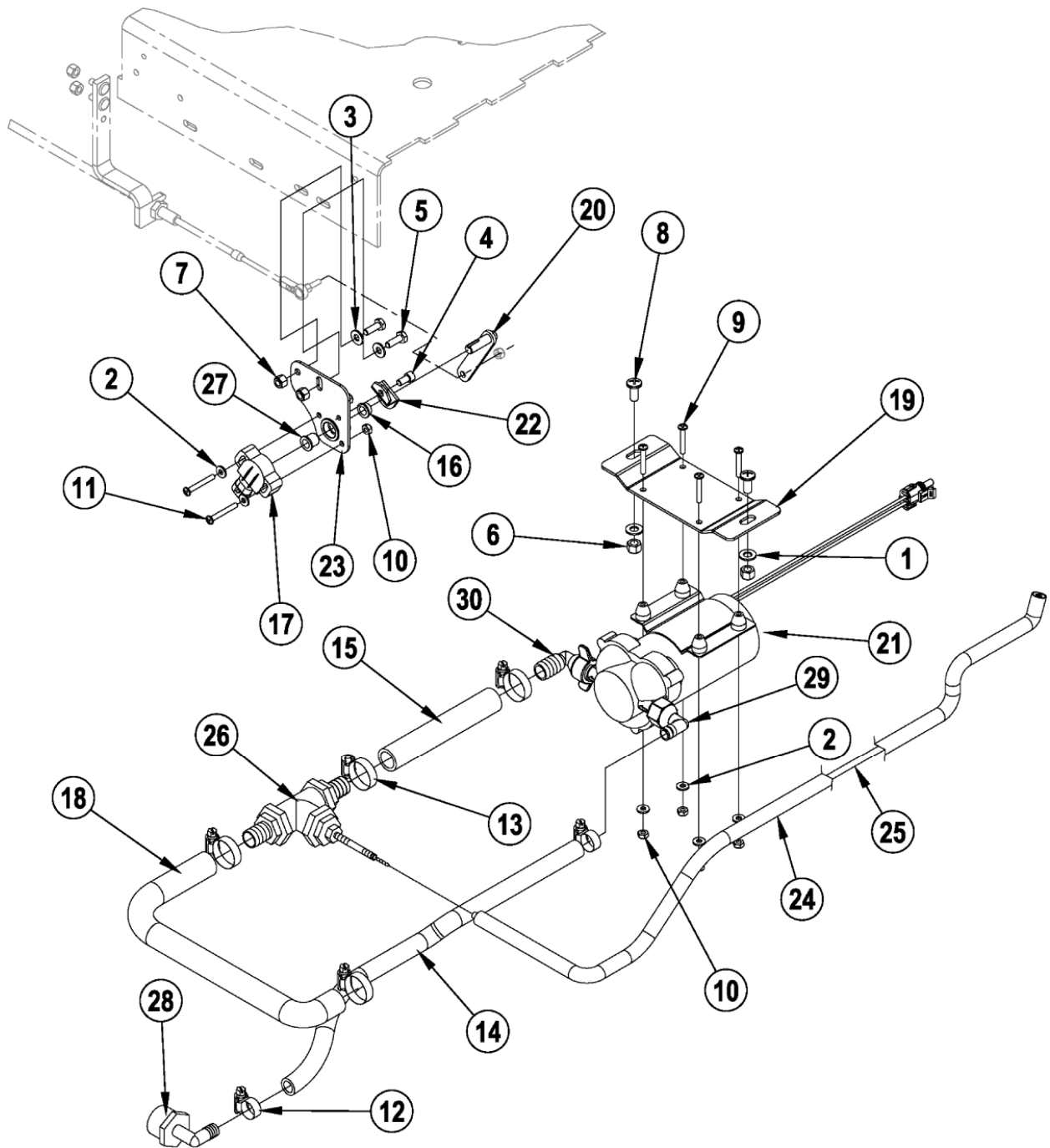
NOTE 1: Latch 56109591 is the replacement for Latch 56054856. To replace a 56054856 Latch; remove the old latch, line up the new latch 56109591 with the catch, use the latch as a template to mark and drill the new mounting holes, assemble the new latch with the existing mounting hardware. Pos. 100-113: Items included with 56306145 Chemical Injection Kit

Pos.	Artikel-Nr.	Menge	Variante	Notes
	56306197	1	Steuerkasten	[1]
01	56001830	2	SCR PAN PHIL 6-32 X .50	
02	56001954	10	WSH FLT SAE 10	
03	56001993	6	SCR PAN HD PHIL 10-24X.50	
04	56002003	8	SCR PAN PHIL 8-32 X .50	
05	56009100	8	SCR PANPHILT HD BLK 10-24	
06	56002523	3	SCR PAN HD PHIL HP5 8-32 X .38	
07	56002768	2	1/4-20 NYLOC NUT	
08	56002808	8	NUT HEX NYLOC 8-32	
09	56002830	2	NUT HEX NYL LOC 6-32	
10	56009033	5	Schraube 1/4-20X1 2HP 5	
100	56306197	1	Steuerkasten	[2]
101	56306160	1	PUMP ASSY 36 VDC	[3]
103	56306167	1	Kabelbaum Batterie	[3]
104	56387316	1	Schütz 10A	[4]
105	56459367	1	Abdeckung Rückstellknopf5015	[4]
106	56009039	1	SCHRAUBE 1/4-20X1-1/2	[4]
107	56303588	1	PLATE CIRCUIT BREAKER MOUNT	[3]
108	56303589	1	DECAL CIRCUIT BREAKER	[3]
109	56051474	1	CLAMP. P E00129	[4]
11	56054715	1	GROMMET E00059	
110	56305232	1	GASKET	[4]
111	56459825	1	Reduzierung	[4]
112	56306179	2	DECAL CR1200 EDS	[4]
113	56306180	2	DECAL CR1400 EDS	[4]
12	56109591	1	LATCH	[5]
13	56110742	2	Chemie Pumpe 2	
14	56306195	1	AXP CONTROL ASSY 36V	
15	56306124	1	BOX WELDMENT CHEMICAL	
16	56306133	1	COVER CHEMICAL INJECTION	
17	56306147	1	CATCH	
18	56306148	1	COVER	
19	56306169	1	HOSE CHEM RESISTANT 17.00	
20	56306181	1	HINGE	
21	56315340	1	Chemiesensor	
22	56413784	1	Einsatzstück	[4]
22	56315690	1	CAP 38MM BUTTRESS	[4]
22	9100001817	1	CAP PLASTIC F CHEMICAL TANK SIP	[4]
22	56413119	1	Behälter,Reinigungsmittel	[4]
22	56413999	1	EDS-Behälter	
23	56315523	1	Deckel EDS-Schwimmer	
24	56413691	2	Fitting Verzweigung	
25	56413693	4	Schlauch Chemieresistent	
26	56413775	2	BRACKET PUMP MOUNT	
27	56306191	1	PLATE REINFORCING	
28	56002832	12	6-Kt Mutter Nylon	
29	56016331	1	DECAL CHEMICAL RATIO	
30	56344621	1	GROMMET 1.500 E00059	
31	56306198	1	PUMP COVER	
32	56300152	1	CLAMP CORD HA510B	[6]
33	56478246	1	CABLE TIE E00549 RE438BA	[4]
33	56379301	1	SPRING EXT .37X3.62CR211J	

## Part Notes:

- [1] - NO LONGER AVAILABLE  
 [2] - NOT SHOWN  
 NO LONGER AVAILABLE  
 [3] - NOT SHOWN  
 SEE PI 2017-002  
 [4] - NOT SHOWN

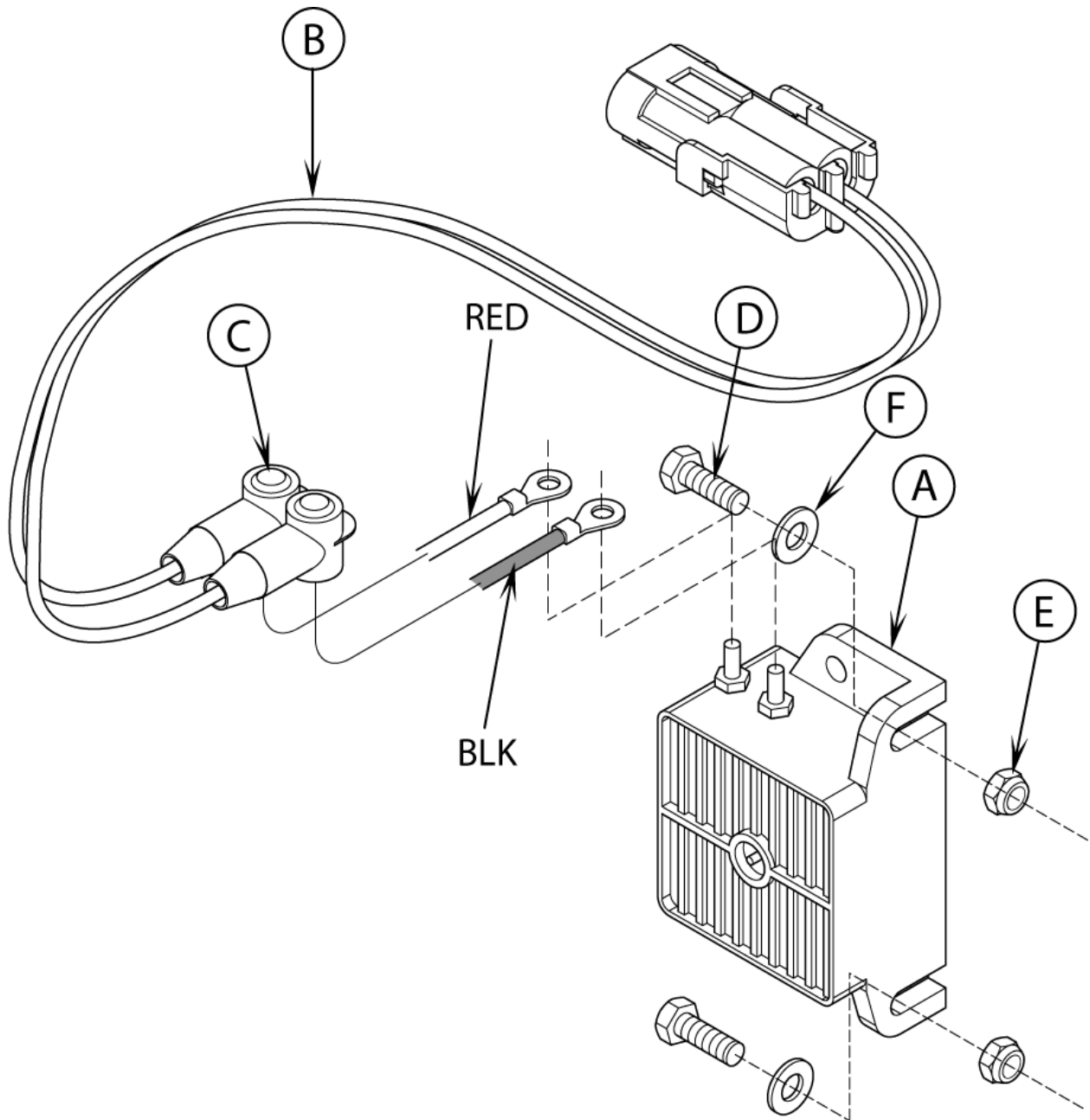
- [5] - NOTE 1
- [6] - SEE PI 2017-002



Pos.	Artikel-Nr.	Menge	Variante	Notes
	56306160	1	PUMP ASSY 36 VDC	[1]
01	56001939	2	Flachdichtung 5/16	
02	56001954	6	WSH FLT SAE 10	
03	56002098	2	Scheibe	
04	56002115	2	SCR SOC HD 1/4-20 X .50	
05	56002155	2	SCR HEX 1/4-20 X .75	
06	56002701	2	MUTTER 5-16-18 HEX JAM	
07	56002708	2	Stopmutter 1/4-20	
08	56002793	2	Schraube PAN PHIL 5/16-18	
09	56002824	4	SCR PAN PHIL 10-24X1.25	
10	56002832	6	6-Kt Mutter Nylon	
11	56003574	2	SCR PAN PHIL SS 10-24X1.50	
12	56219932	2	Briede	
13	56244969	4	Schlauch-Briede	
14	56412277	1	Schlauch f. Frischwasser-	
15	56305762	1	Schlauch	
16	56303285	1	Lager, FI .500x.375x.250	
17	56303313	1	Sensor f. Fahrpedal	[2]
18	56305591	1	HOSE SPIRAL .750 E00605	
19	56306122	1	MOUNT PUMP	
20	56306129	1	CONTROL ARM WELDT	
21	56413810	1	Pumpe 36 V BR 1300 S	[3]
22	56306162	1	BRACKET PIVOT	
23	56306165	1	PIVOT SENSOR WELT	
24	56306168	1	CONDUIT SOLUTION HOSE 44LG	
25	56314942	1	Schlauch	
26	56306194	1	T-Stück	
27	56508737	1	Lager	
28	56900245	1	BARB ELBOW E00037	
29	56261246	1	Schlauchwinkel	
30	56306146	1	ELBOW POLY 1/2 X 3/4	

## Part Notes:

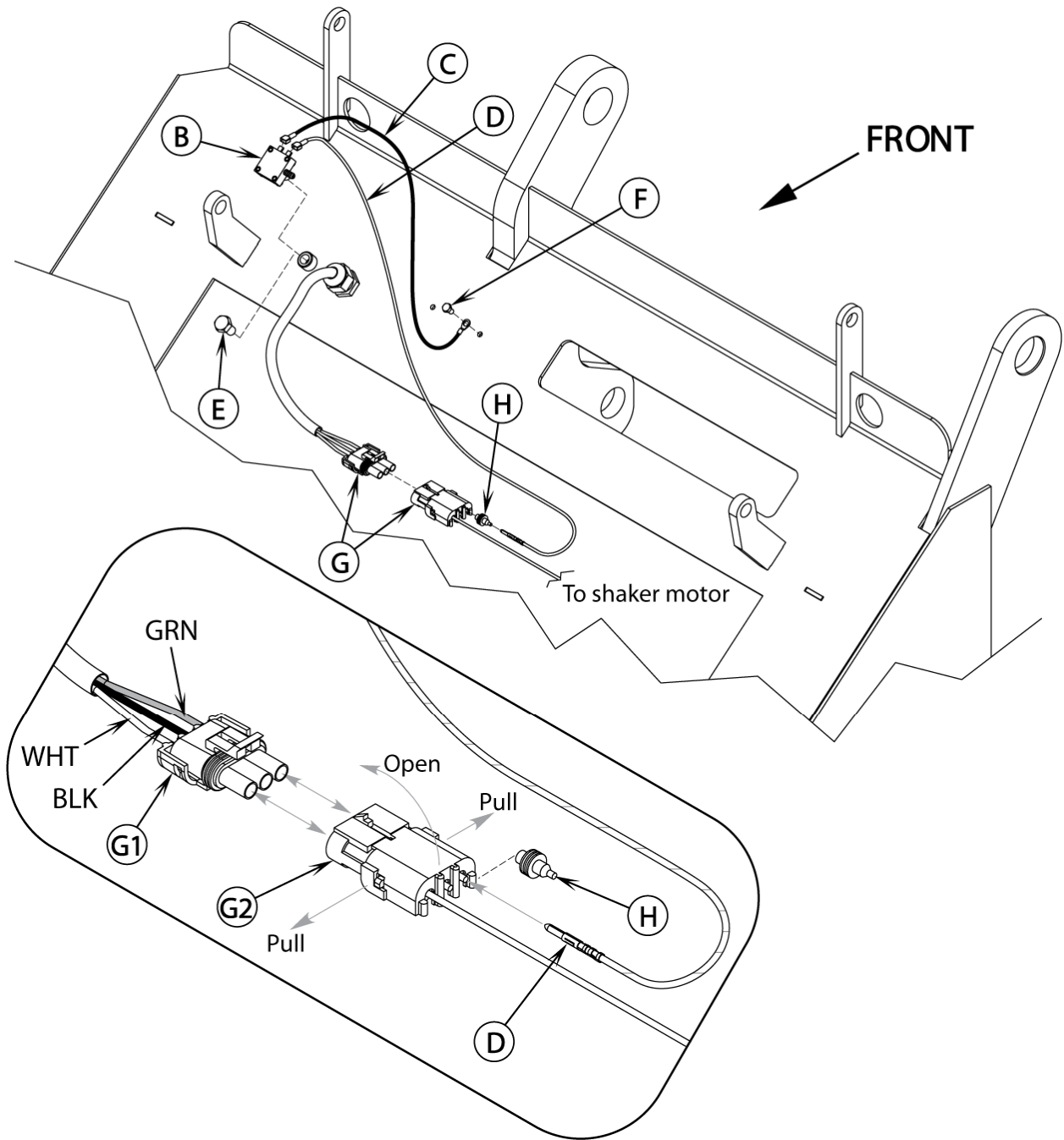
- [1] - SEE PI 2017-002  
 [2] - (R2)  
 [3] - (M17)



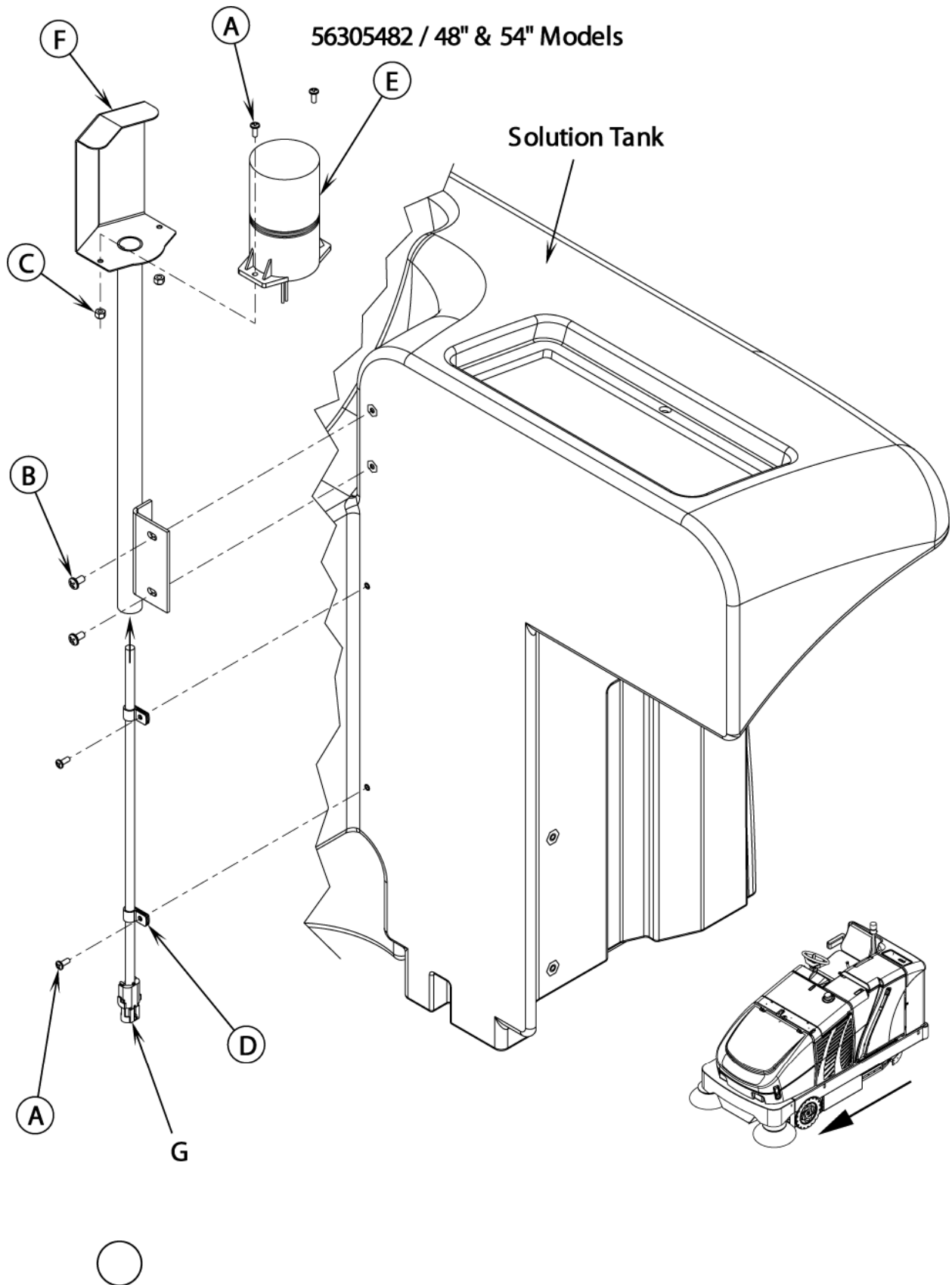
---

Pos.	Artikel-Nr.	Menge	Variante	Notes
	56305519	1	Rückfahralarm	
0A	56409232	1	Fahrerschutzdach	
0B	56409495	1	Anschlußkabel	
0C	56409538	2	Isolator	
0D	56009018	2	SCHRAUBE 1/4-20X3/4 HP5	
0E	56002708	2	Stopmutter 1/4-20	
0F	56002098	2	Scheibe	





Pos.	Artikel-Nr.	Menge	Variante	Notes
	56305517	1	Steuerungsset f. Filter-Kehrgutbehälter	
0A	56478246	2	CABLE TIE E00549 RE438BA	
0B	56305518	1	SWITCH VACUUM	
0C	56305479	1	BLK 18-9 WIRE ASSEMBLY	
0D	56305478	1	WHT/GRA 18-2 WIRE ASSEMBLY	

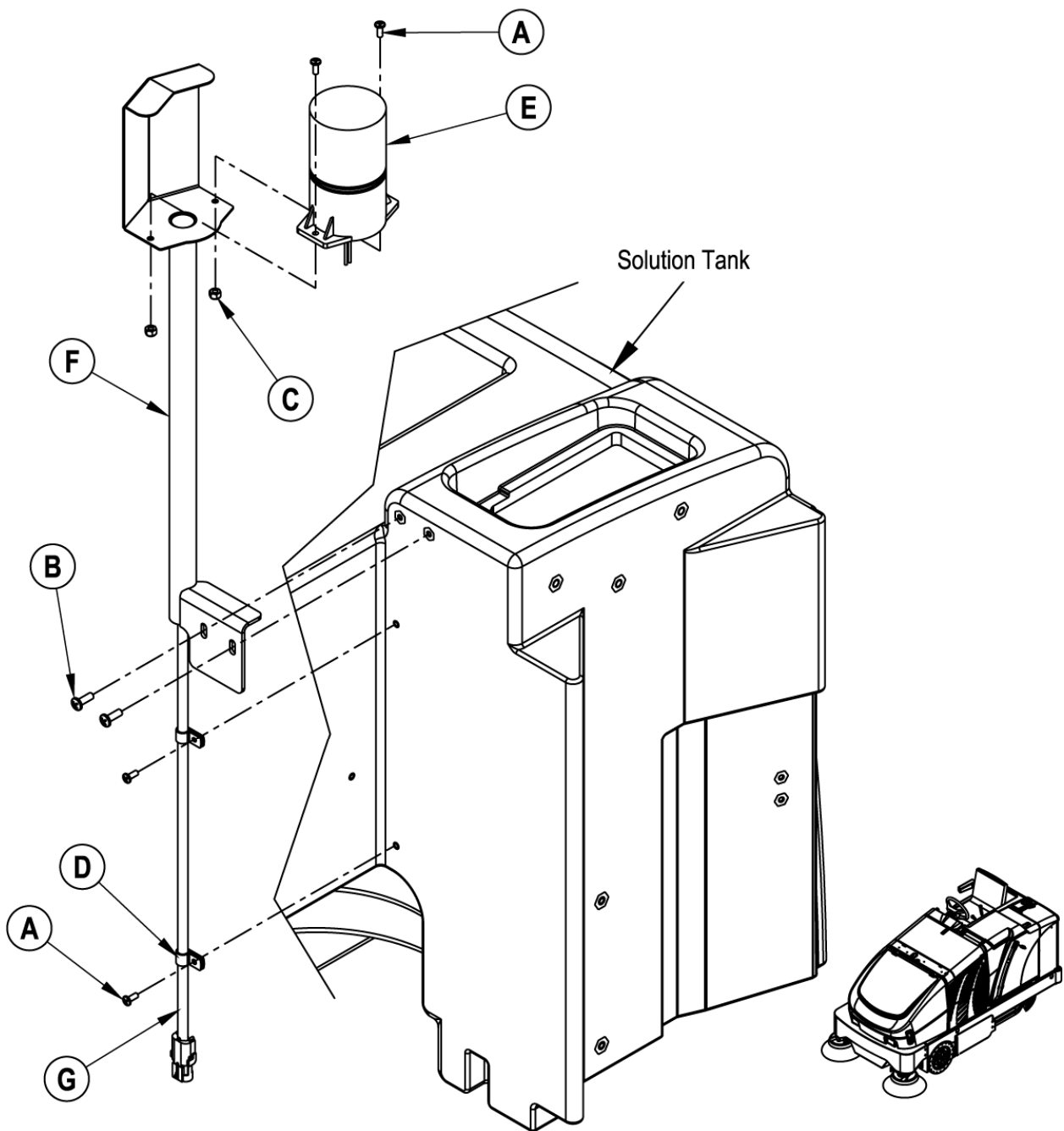


Pos.	Artikel-Nr.	Menge	Variante	Notes
	56305482	1	Warnleuchte	
0A	56001993	4	SCR PAN HD PHIL 10-24X.50	
0B	56002145	2	Schraube 1/4 20x .50	
0C	56002768	2	1/4-20 NYLOC NUT	
0D	56172017	2	P-CLIP E00129	
0E	56305223	1	Rundumleuchte	[1]
0F	56305481	1	TUBE WELDMENT	
0G	56305513	1	Schutzrohr für	

## Part Notes:

[1] - EXPIRED USE 56510893

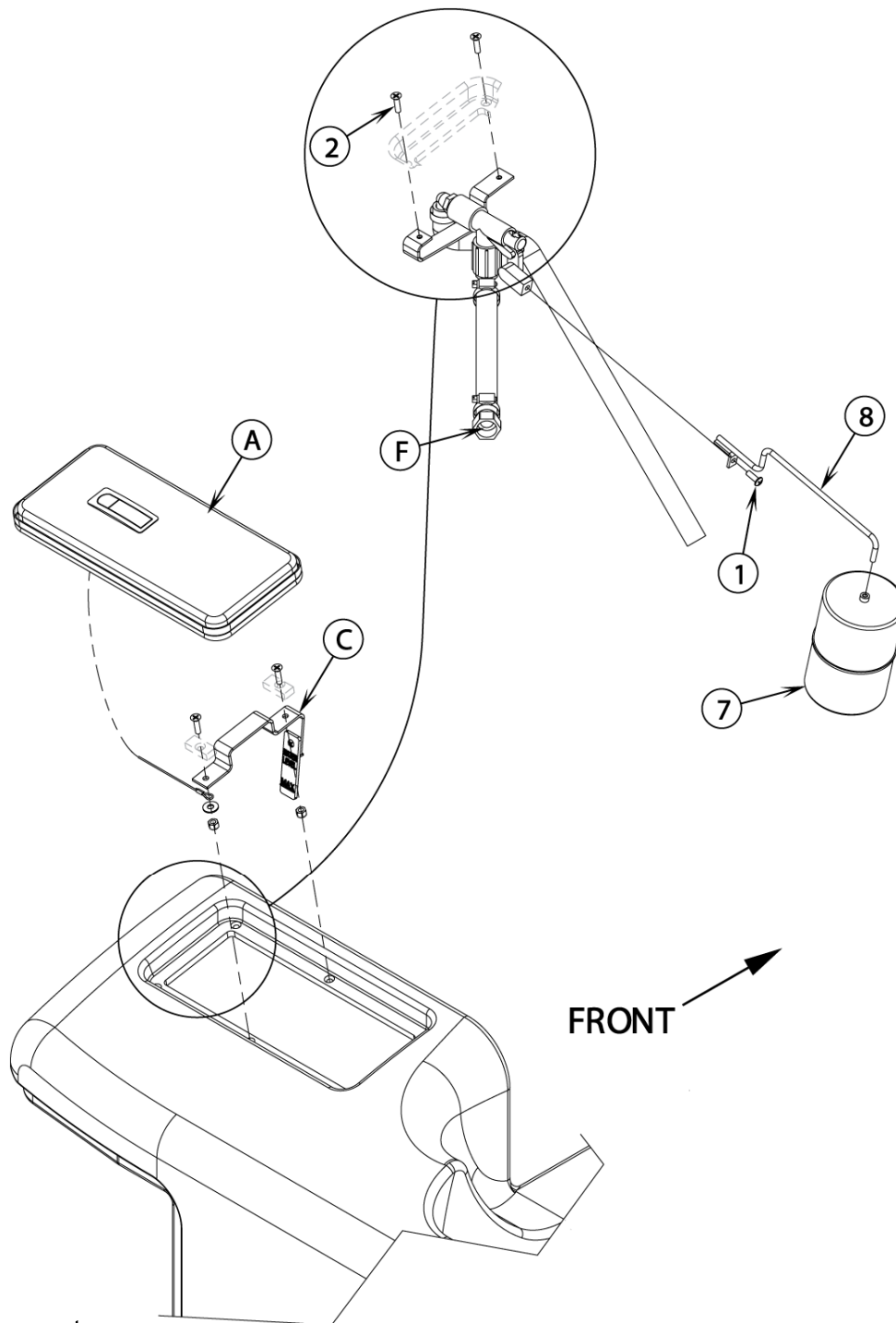
56305881 / 43" Models



Pos.	Artikel-Nr.	Menge	Variante	Notes
	56305881	1	BEACON KIT 60	
0A	56001993	4	SCR PAN HD PHIL 10-24X.50	
0B	56002145	2	Schraube 1/4 20x .50	
0C	56002768	2	1/4-20 NYLOC NUT	
0D	56172017	2	P-CLIP E00129	
0E	56305223	1	Rundumleuchte	[1]
0F	56305883	1	BEACON MOUNT WELDMENT 60	
0G	56305513	1	Schutzrohr für	

## Part Notes:

[1] - EXPIRED USE 56510893



Resource notes:

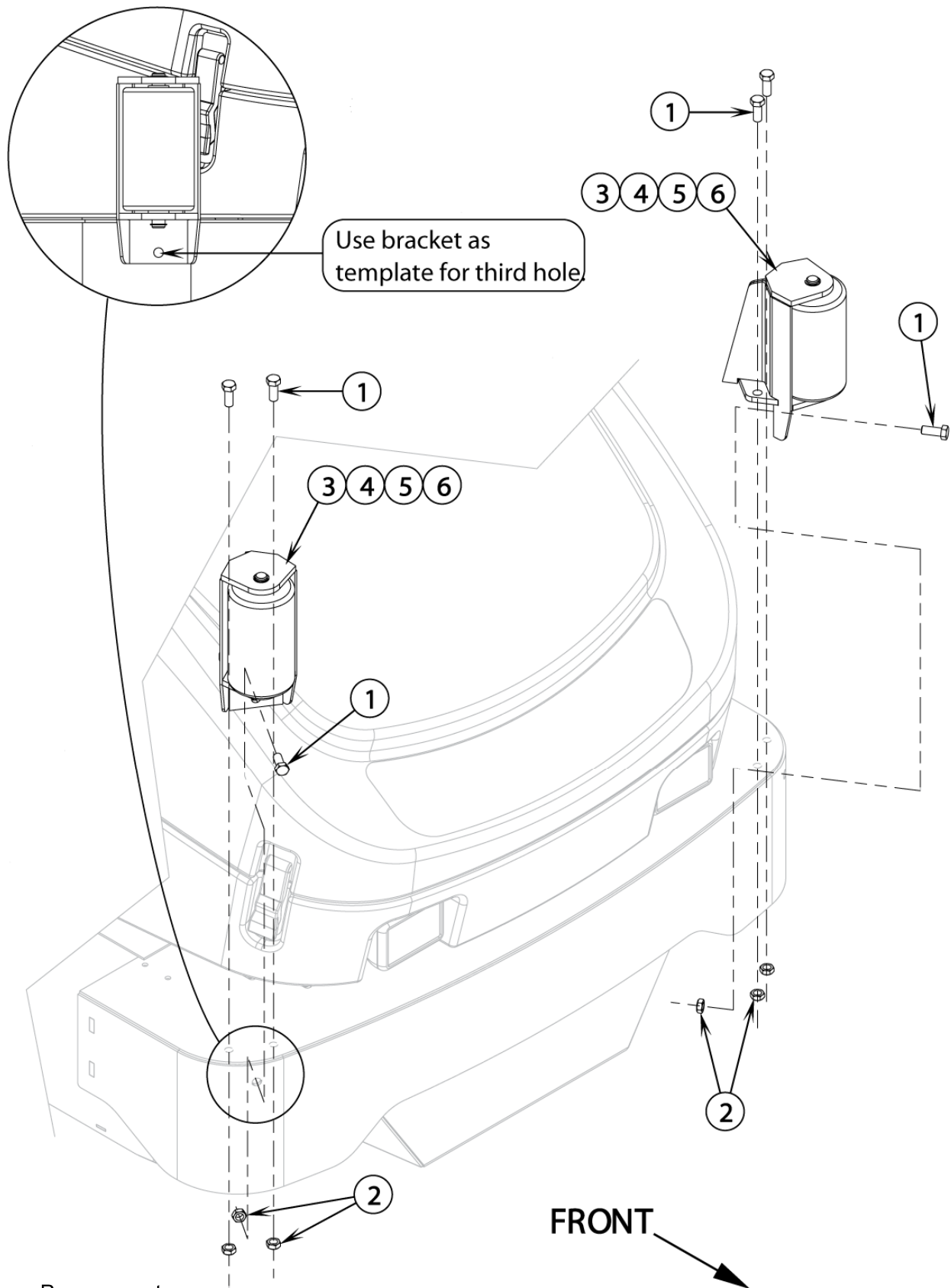
NOTE 1: All items except (1, 2, 7 & 8) are pre-assembled.

Pos.	Artikel-Nr.	Menge	Variante	Notes
	56305896	1	Füllstandsabschaltung	
01	56002957	1	Schraube SS 1/4 - 20 X	
02	56003074	2	Schraube FLT PHIL SS	
03	56244969	3	Schlauch-Bride	
04	56456802	2	Winkelracor	
05	56305318	1	HOSE 10.5 SPIRAL E00605	
06	56305566	1	VALVE FLOAT	[1]
07	56305572	1	FLOAT 4 X 6	[2]
08	56305586	1	FLOAT ARM WELDMENT	[3]
09	56305896	1	Füllstandsabschaltung	
10	56305599	1	FITTING GH TO BARB	
11	56305636	1	COUPLING 3/4 NPT PVC	[4]
12	56459674	1	HOSE SPIRAL E00605	

## Part Notes:

- [1] - STOCK COVERS GUARANTEE
- [2] - USED IN KIT 56305585
- [3] - NO LONGER AVAILABLE
- [4] - SEE PI 2017-002





Resource notes:

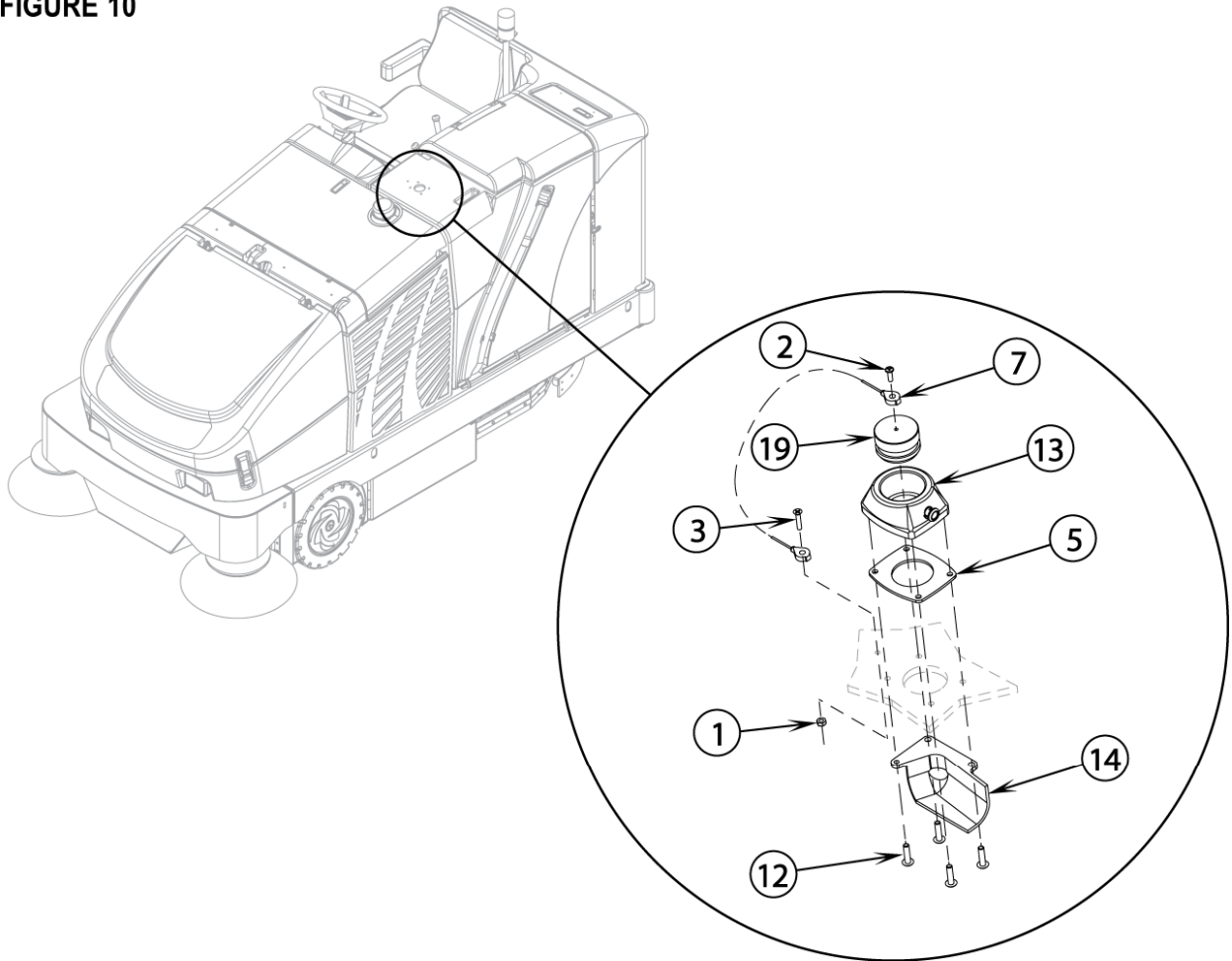
NOTE: Items 3, 4, 5 & 6 are pre-assembled.

Pos.	Artikel-Nr.	Menge	Variante	Notes
	56305493	1	Abweisrolle, gross	[1]
01	56001831	6	Schraube 1/2-13X1,25	
02	56002843	6	NUT HEX NYL LOC-THIN1/2-1	
03	56003266	4	Sicherungsring	
04	56409335	2	BUMPER ROLLER	
05	56409336	2	PIN	
06	56305332	2	ROLLER BUMPER BRACKET WELDMENT	

## Part Notes:

[1] - PRUNED ACCESSORY

FIGURE 10

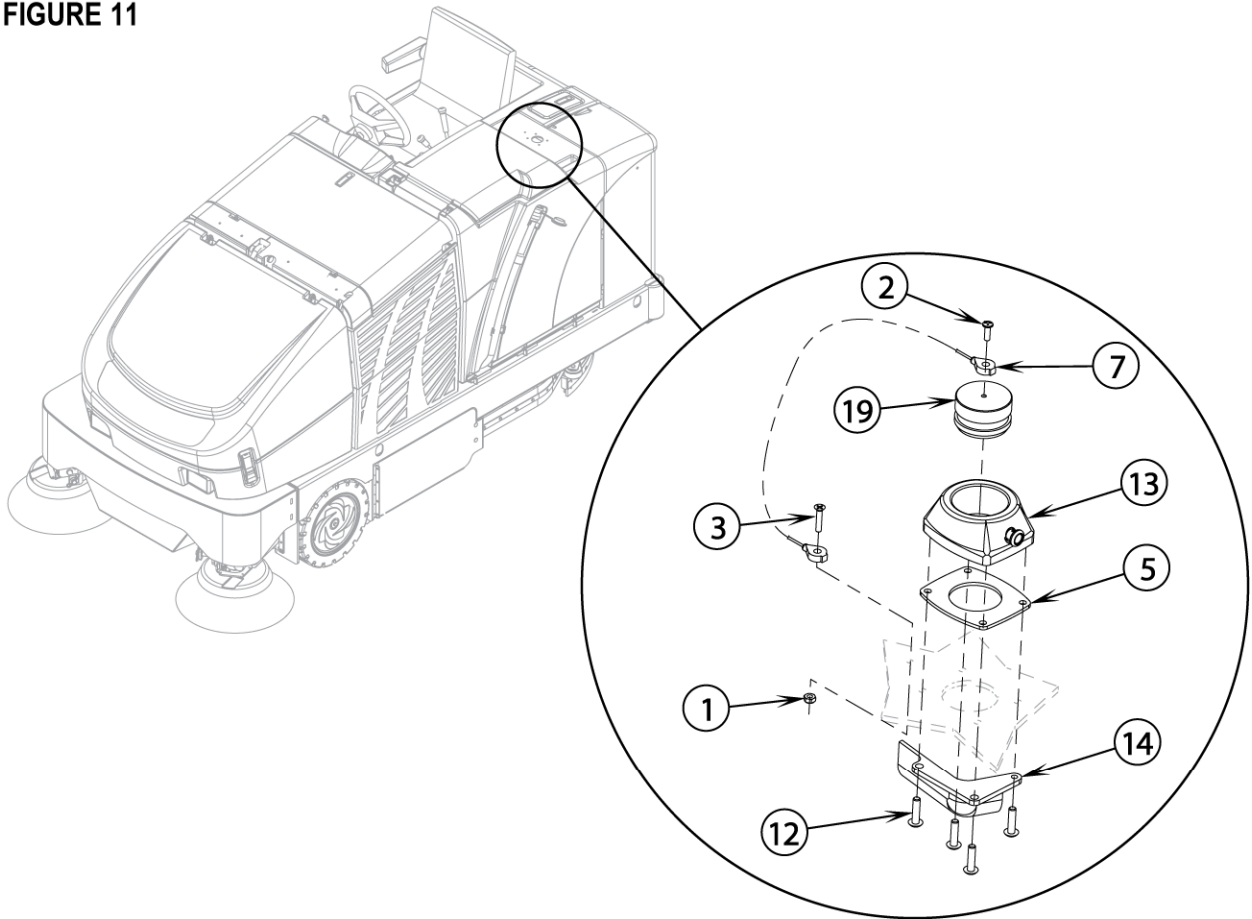


Pos.	Artikel-Nr.	Menge	Variante	Notes
	56305530	1	Nass-Saug-Set	
01	56002849	1	NUT HEX NYL LOC-THIN SS10	
02	56002896	1	Schraube SS10-24X0	
03	56002917	1	Schraube FLT PHIL SS10-24	
05	56201390	1	Dichtung HP2	[1]
07	56325240	1	KABEL COMPL.	
12	56009006	4	Schraube	
13	56205821	1	CONNECTOR ASSEMBLY	
14	56205829	1	Deflektor	[2]
19	56456078	1	PLUG	[3]

## Part Notes:

- [1] - STOCK COVERS GUARANTEE
- [2] - SEE PI 2017-002
- [3] - EXPIRED ON 2/01/2013

FIGURE 11

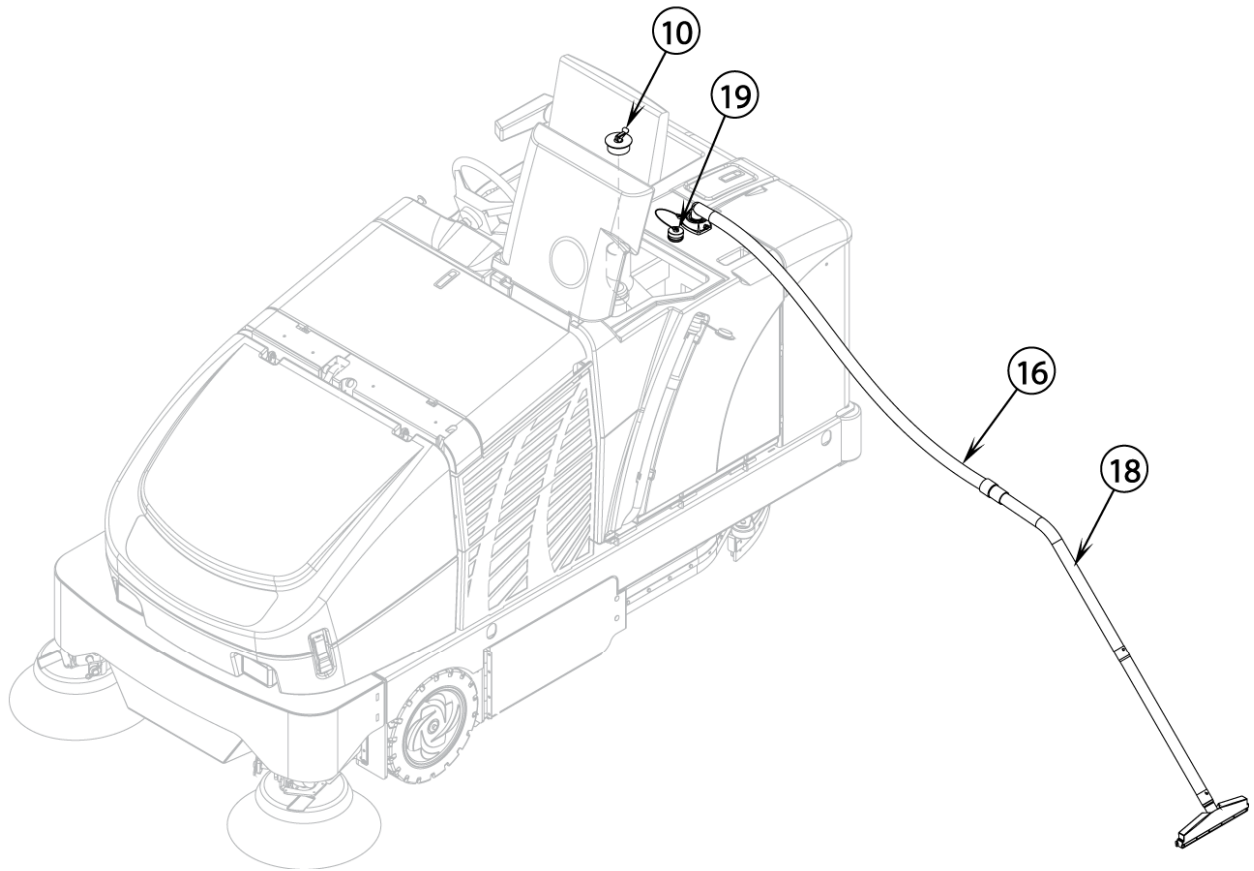


Pos.	Artikel-Nr.	Menge	Variante	Notes
	56305530	1	Nass-Saug-Set	
01	56002849	1	NUT HEX NYL LOC-THIN SS10	
02	56002896	1	Schraube SS10-24X0	
03	56002917	1	Schraube FLT PHIL SS10-24	
05	56201390	1	Dichtung HP2	[1]
07	56325240	1	KABEL COMPL.	
12	56009006	4	Schraube	
13	56205821	1	CONNECTOR ASSEMBLY	
14	56205829	1	Deflektor	[2]
19	56456078	1	PLUG	[3]

## Part Notes:

- [1] - STOCK COVERS GUARANTEE
- [2] - SEE PI 2017-002
- [3] - EXPIRED ON 2/01/2013

FIGURE 13



---

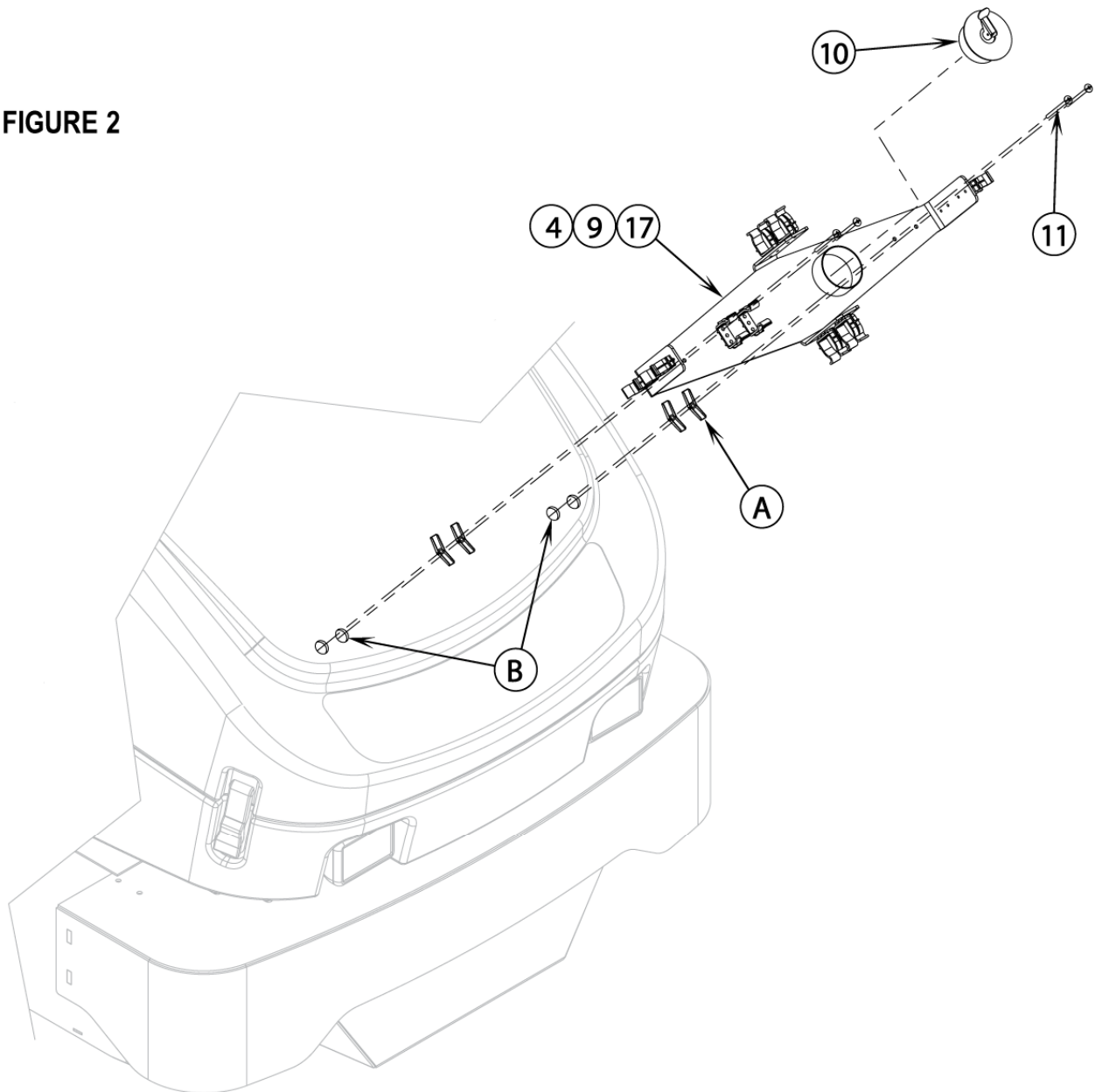
Pos.	Artikel-Nr.	Menge	Variante	Notes
	56305530	1	Nass-Saug-Set	
10	56462703	1	ABLASSZAPFEN	[1]
16	56305539	1	HOSE ASSEMBLY	
18	56305605	1	Bodendüse m. Lanze	
19	56456078	1	PLUG	[2]

## Part Notes:

- [1] - EXPIRED NO REPLACEMENT  
[2] - EXPIRED ON 2/01/2013



FIGURE 2

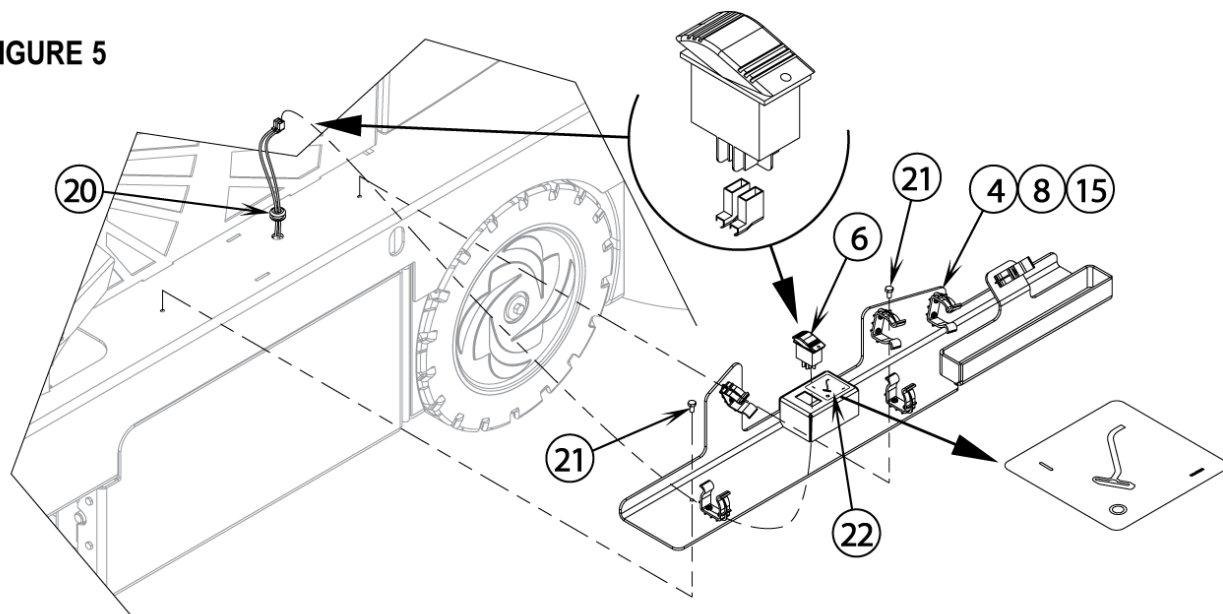


Pos.	Artikel-Nr.	Menge	Variante	Notes
	56305530	1	Nass-Saug-Set	
01	56002849	1	NUT HEX NYL LOC-THIN SS10	
02	56002896	1	Schraube SS10-24X0	
03	56002917	1	Schraube FLT PHIL SS10-24	
04	56009030	32	Schraube 10-2	
05	56201390	1	Dichtung HP2	[1]
06	56209321	1	Schalter zu GW 1030	
07	56325240	1	KABEL COMPL.	
08	56392171	6	Klammer BR 1000	
09	56407361	10	Plastikklammer zu BR 850	
10	56462703	1	ABLASSZAPFEN	[2]
11	56003676	4	BOLT TOGGLE .25 X 3.00	
12	56009006	4	Schraube	
13	56205821	1	CONNECTOR ASSEMBLY	
14	56205829	1	Deflektor	[3]
15	56305529	1	WAND MOUNT WELDMENT	
16	56305539	1	HOSE ASSEMBLY	
17	56305540	1	HOSE MOUNT WELDMENT	
18	56305605	1	Bodendüse m. Lanze	
19	56456078	1	PLUG	[4]
20	56453254	1	GROMMET E00059	
21	56009033	2	Schraube 1/4-20X1 2HP 5	
22	56015253	1	DECAL WAND	

## Part Notes:

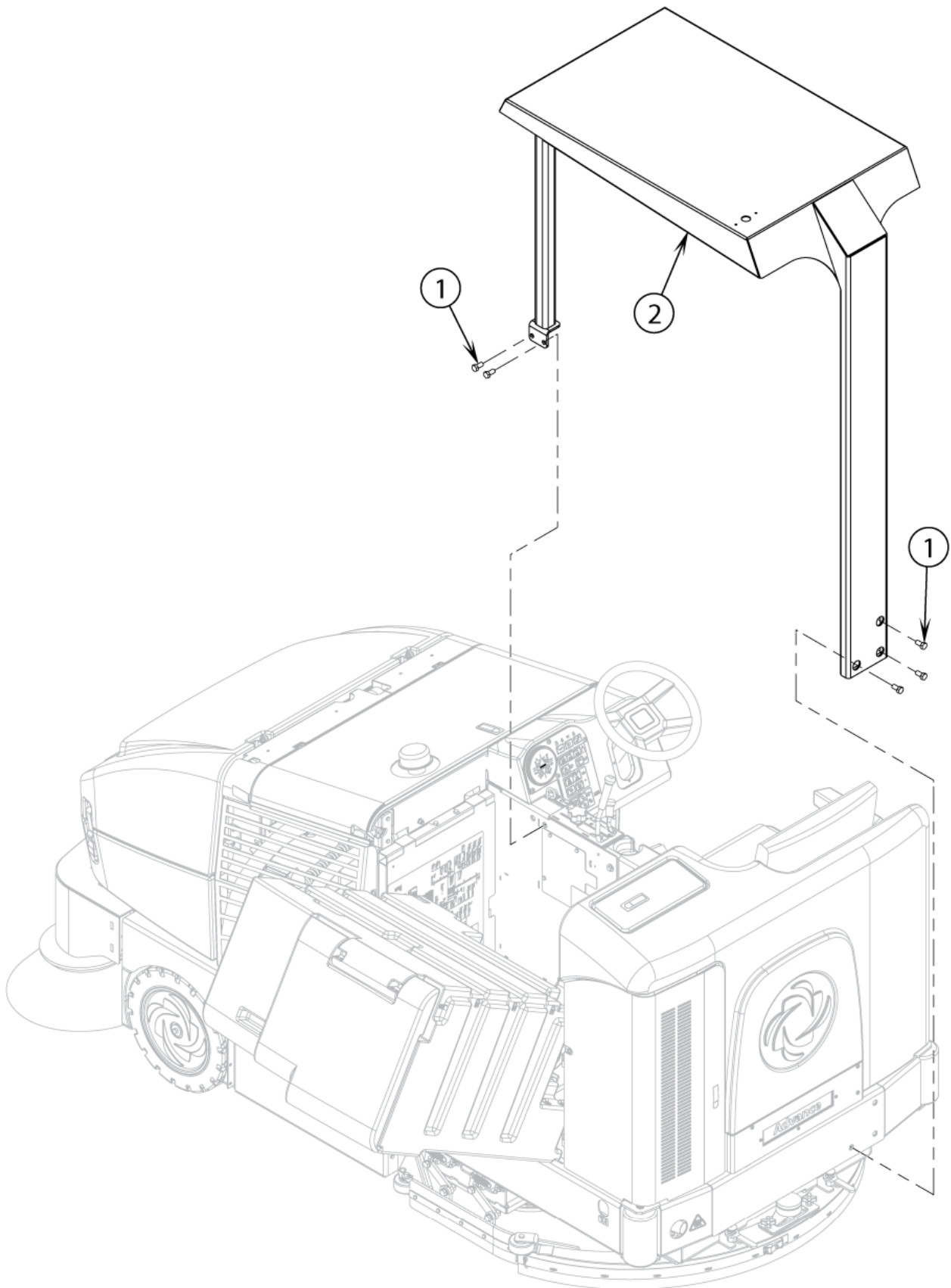
- [1] - STOCK COVERS GUARANTEE
- [2] - EXPIRED NO REPLACEMENT
- [3] - SEE PI 2017-002
- [4] - EXPIRED ON 2/01/2013

FIGURE 5



---

Pos.	Artikel-Nr.	Menge	Variante	Notes
	56305530	1	Nass-Saug-Set	
04	56009030	32	Schraube 10-2	
06	56209321	1	Schalter zu GW 1030	
08	56392171	6	Klammer BR 1000	
15	56305529	1	WAND MOUNT WELDMENT	
20	56453254	1	GROMMET E00059	
21	56009033	2	Schraube 1/4-20X1 2HP 5	
22	56015253	1	DECAL WAND	

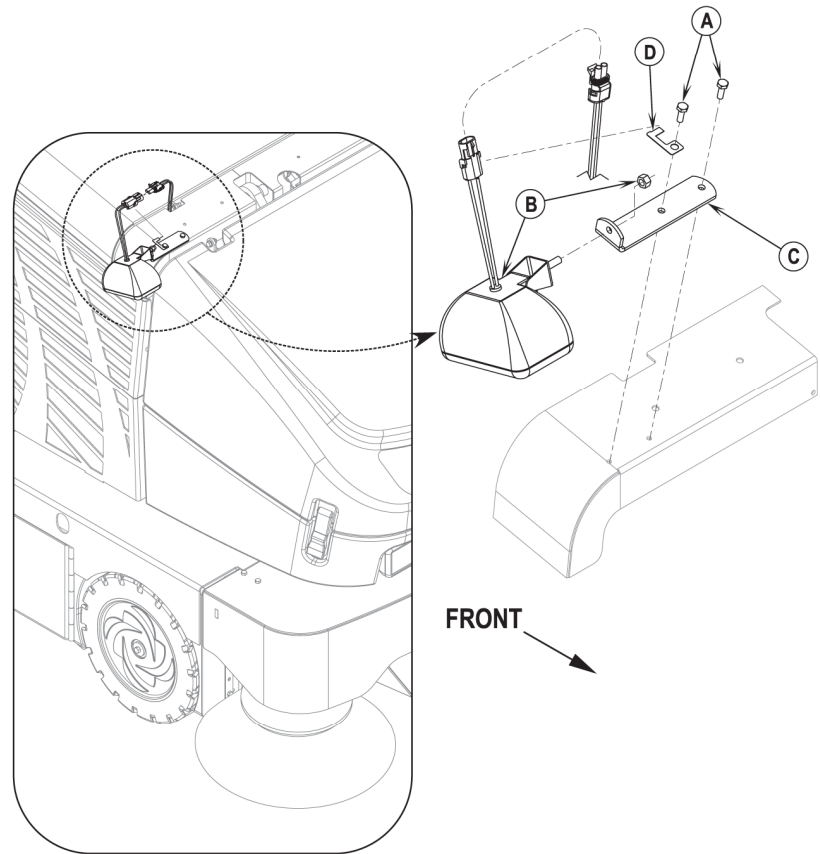


Pos.	Artikel-Nr.	Menge	Variante	Notes
	56305637	1	Fahrerschutzdach	
01	56003083	5	Radbolzen	[1]
02	56303574	1	GUARD WELDMENT	[2]
02	56304862	1	LOW CLEARANCE GUARD WELDMENT	[3]
03	56305687	1	TRIM EDGE	
04	56305705	2	TRIM EDGE	[4]

## Part Notes:

- [1] - GRADE 5
- [2] - USED IN KIT 56303573
- [3] - USED IN KIT 56305637
- [4] - NOT SHOWN / PRE-ASSEMBLED TO ITEM 2

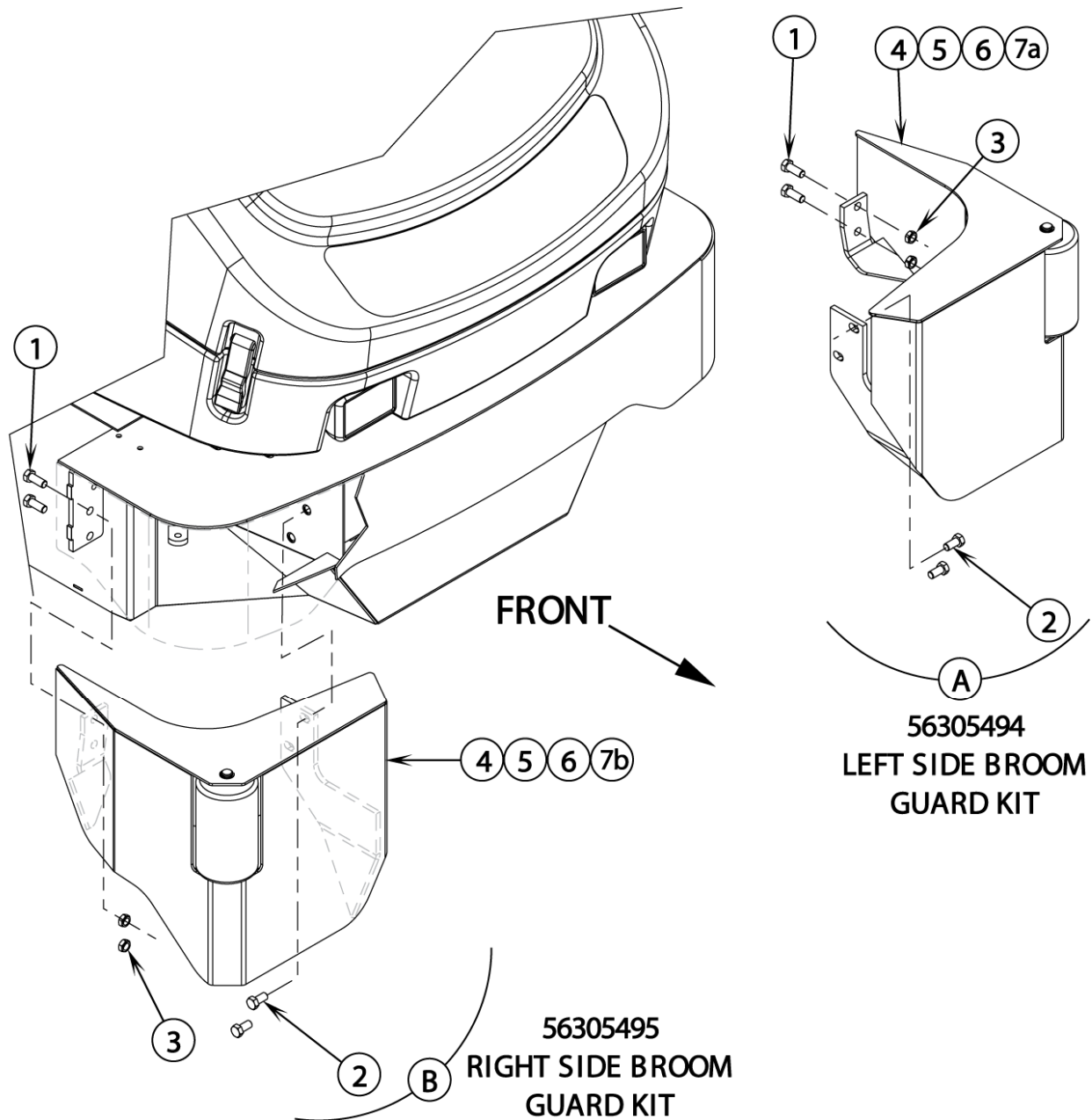
FIGURE 2



---

Pos.	Artikel-Nr.	Menge	Variante	Notes
	56305641	1	Randsteinlicht	
0A	56009018	2	SCHRAUBE 1/4-20X3/4 HP5	
0B	56304768	1	Lampe 12V CR 1400	
0C	56305648	1	BRACKET	
0D	56409769	1	CLIP WEATHER PACK	

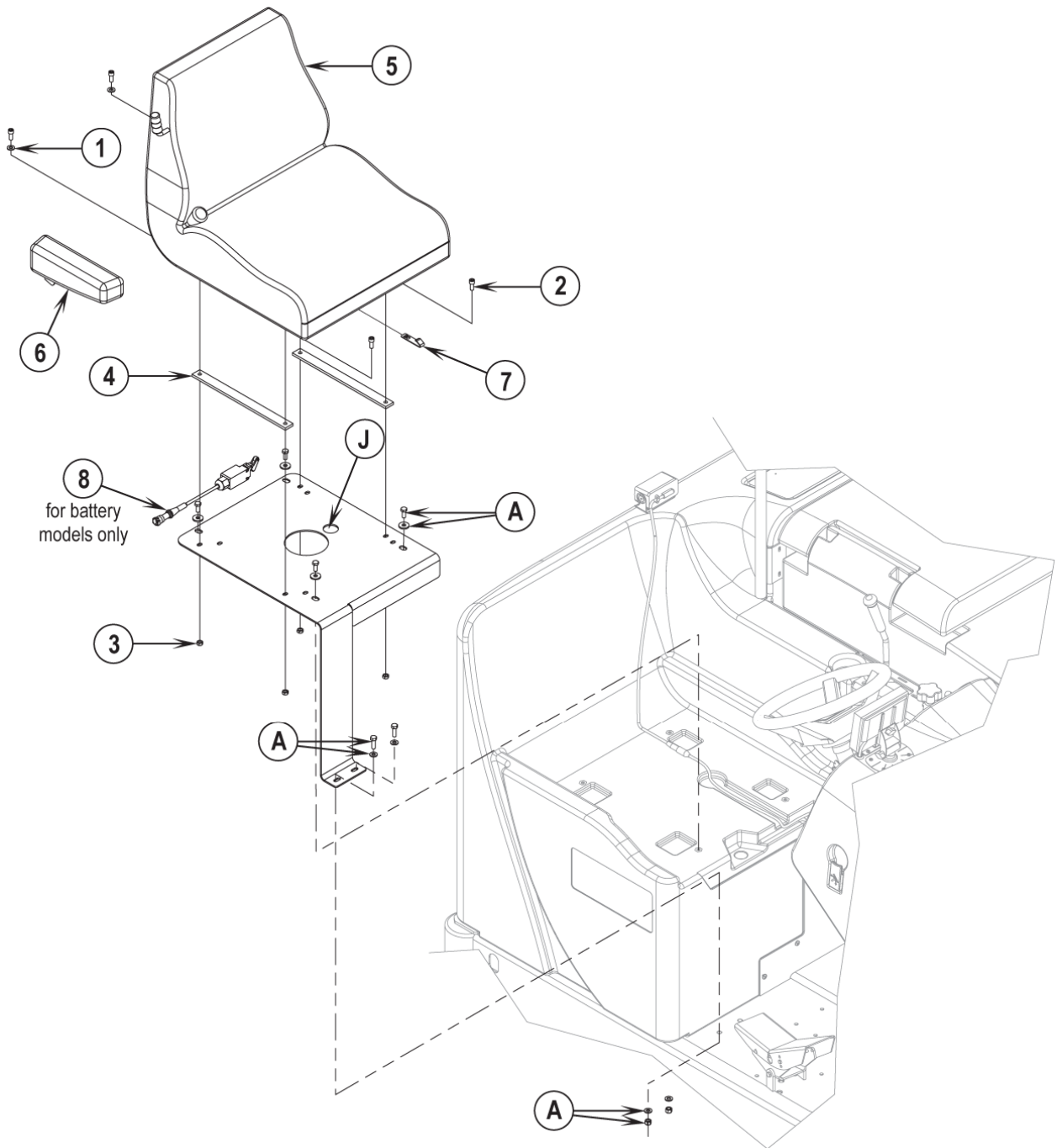




Pos.	Artikel-Nr.	Menge	Variante	Notes
	56305494	1	Schutz f. Setenbesen li.	
01	56001831	2	Schraube 1/2-13X1,25	
02	56001895	2	SCR HEX HD 1/2-13 X 1.00	
03	56002843	2	NUT HEX NYL LOC-THIN1/2-1	
04	56003266	2	Sicherungsring	
05	56409335	1	BUMPER ROLLER	
06	56409336	1	PIN	
07A	56305322	1	Seitenschutz, links	[1]
07B	56305321	1	Seitenschutz, rechts	[1]
0A	56305494	1	Schutz f. Setenbesen li.	[1]
0B	56305495	1	Anfahrerschutz Seitenbesen, rechts	[1]

## Part Notes:

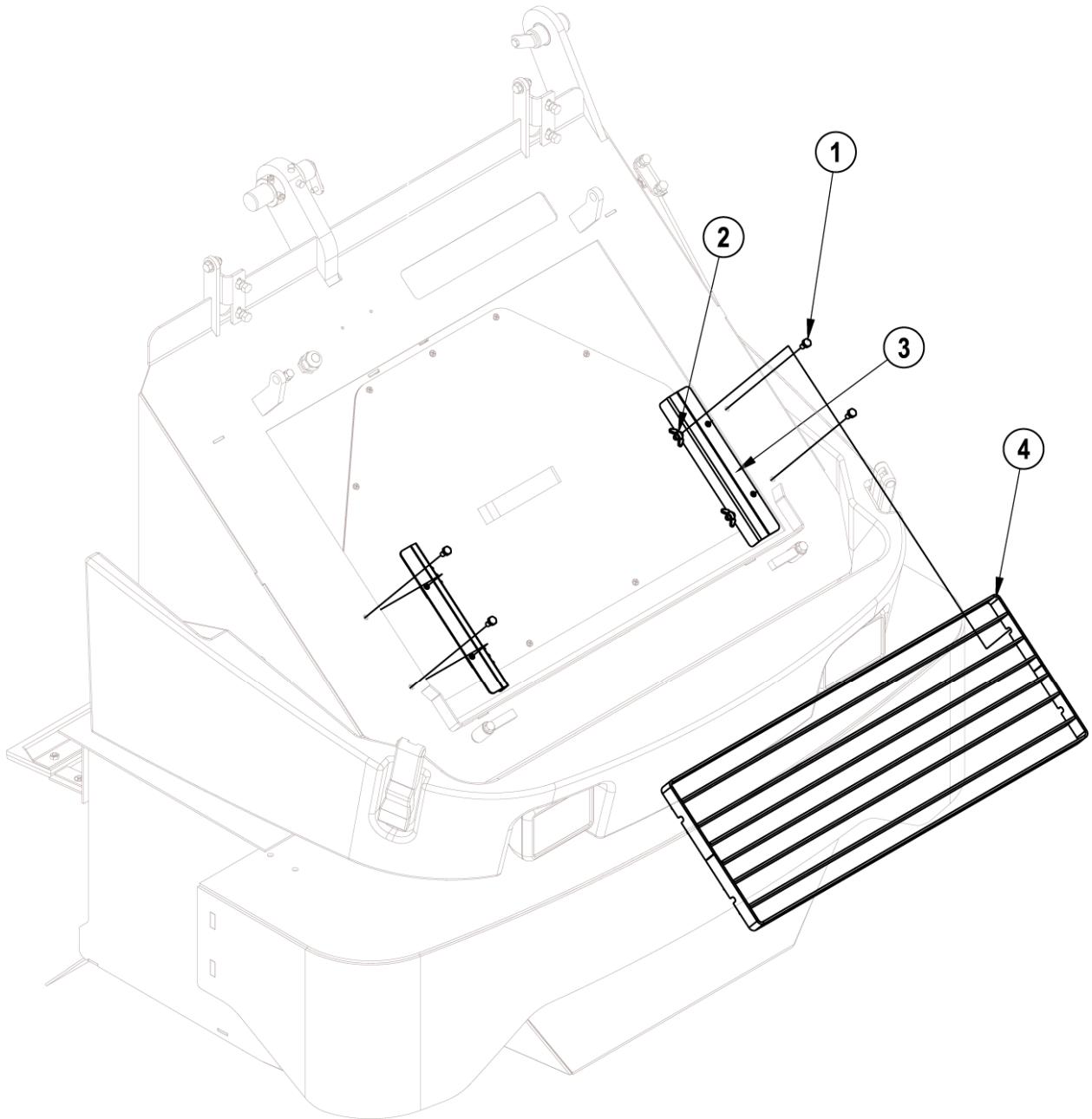
- [1] - NOTE: All mounting holes are predrilled, there are no modifications required. Items (4, 5, 6 7) are preassembled in both kits. The two kits covered in this instruction sheet are also part of Kit PN56305652 which is designed for models with dual side brooms.



Pos.	Artikel-Nr.	Menge	Variante	Notes
	56305611	1	Fahrerkomfortsitz	
	56303381	1	Deluxe Sitz f.	[1]
01	56001939	2	Flachdichtung 5/16	
02	56001959	4	SCR SOC HD 5/16-18 X .75	
03	56002826	4	NUT HEX NYLOC THIN 5/16-1	
04	56305191	2	SPACER SEAT	
05	56305612	1	Sitz	
06	56305613	1	Armlehne	
07	56305934	1	SLIDE STOP SEAT	
08	56303533	1	Sitzschalter f. CR1200B	

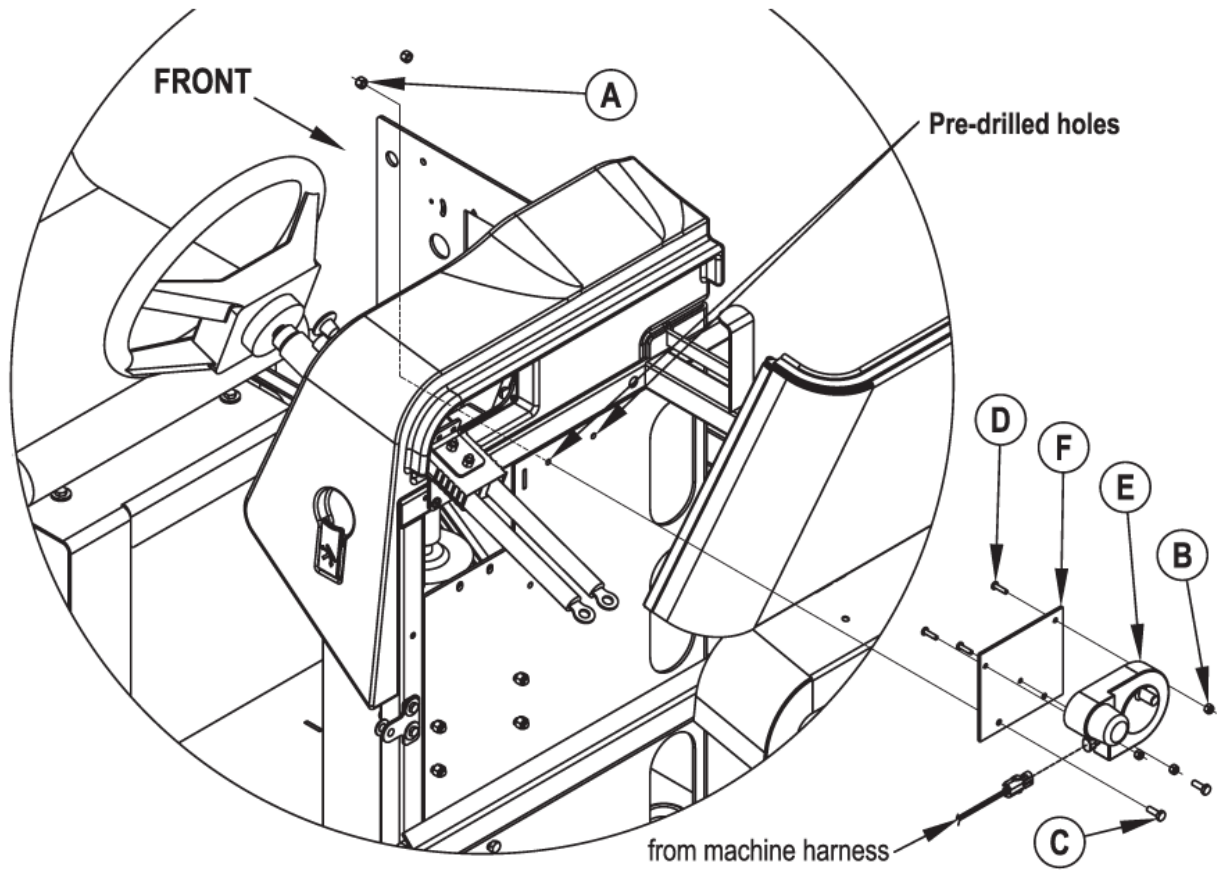
## Part Notes:

[1] - SEE PI 2017-002



---

Pos.	Artikel-Nr.	Menge	Variante	Notes
	56305794	1	Grobschmutzgitter-Set	
01	56003039	4	Schraube 1/4-20	
02	56009048	4	FLUEGELMUTTER 1/4-20Ersetzt durch: 56003	
03	56305875	2	BRACKET PREFILTER	
04	56305887	1	Vorfilter	

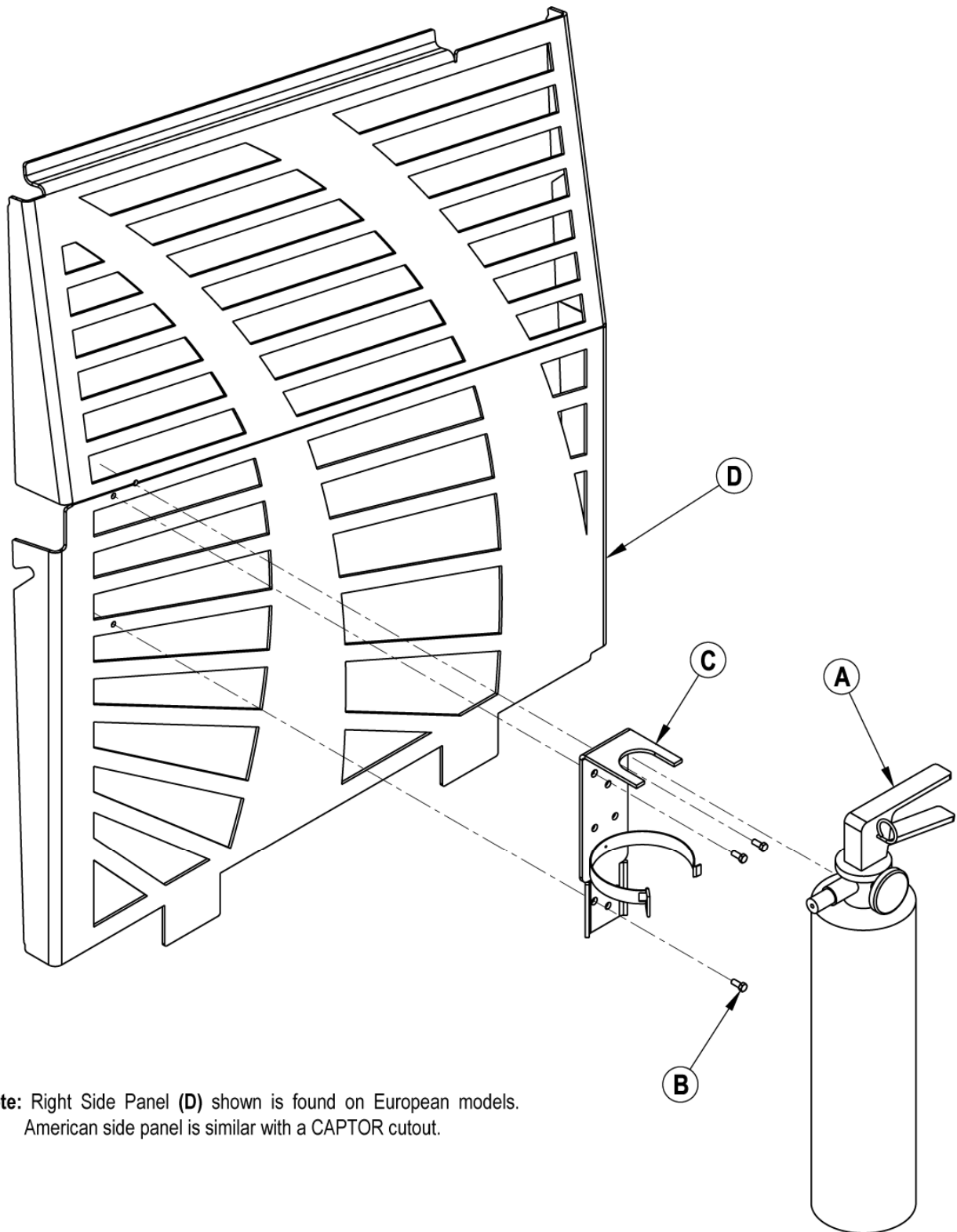


Pos.	Artikel-Nr.	Menge	Variante	Notes
	56303362	1	TROUBLE LAMP KIT	[1]
0A	56002708	2	Stopmutter 1/4-20	
0B	56002768	3	1/4-20 NYLOC NUT	
0C	56002155	2	SCR HEX 1/4-20 X .75	
0D	56002192	3	SCR PAN HD PHIL 10-24X.75	
0E	56303354	1	TROUBLE LAMP 36V	[2]
0F	56303361	1	BRACKET TROUBLE LAMP	

## Part Notes:

- [1] - STOCK COVERS GUARANTEE  
[2] - NO LONGER AVAILABLE





**Note:** Right Side Panel (D) shown is found on European models.  
American side panel is similar with a CAPTOR cutout.

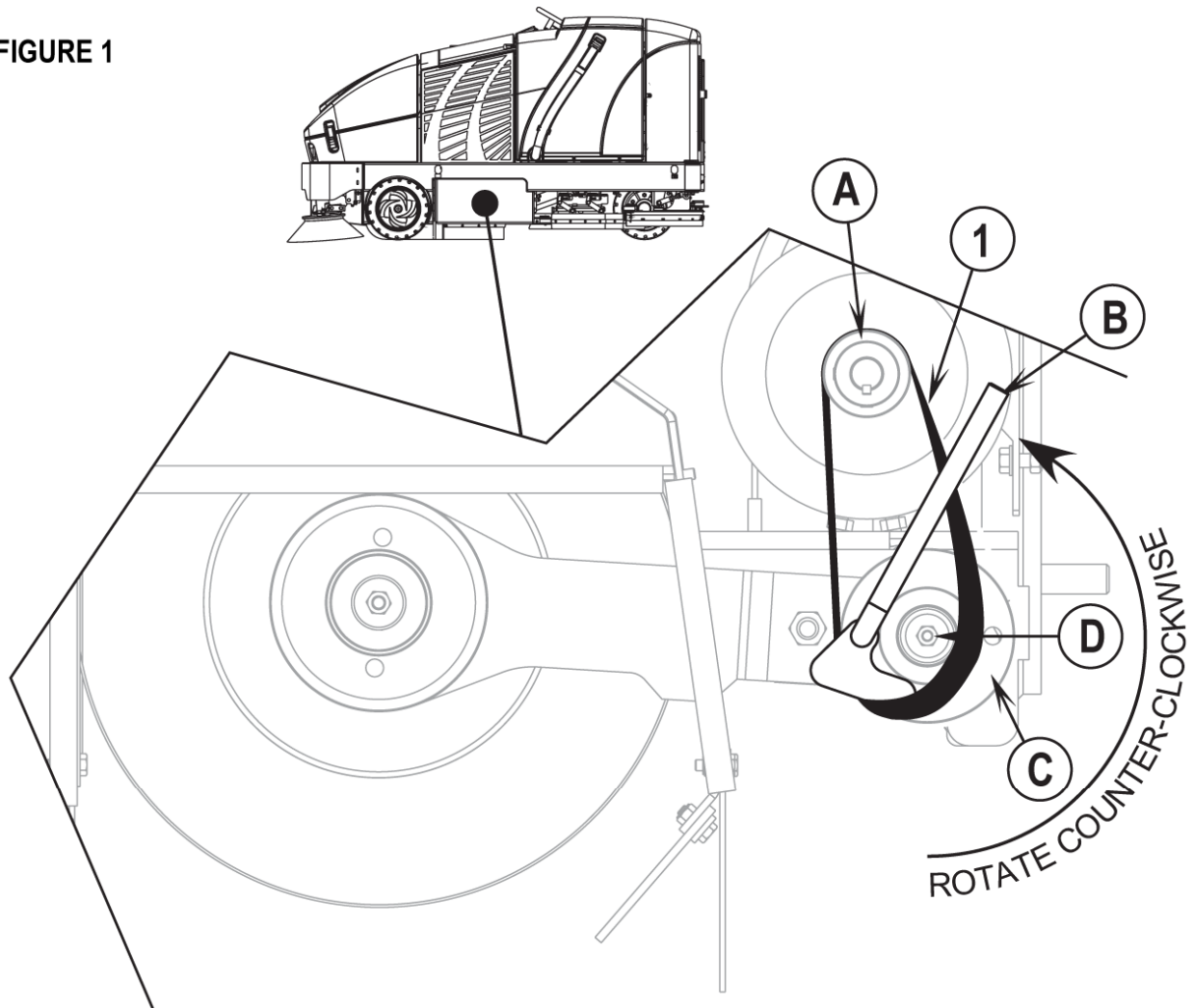
---

Pos.	Artikel-Nr.	Menge	Variante	Notes
	56303431	1	FIRE EXTINGUISHER KIT	[1]
0A	8-83-04033	1	Feuerlöscher m. Halter	
0B	56009019	3	Schraube 1/4-20x.38	

## Part Notes:

[1] - EXPIRED ON 12/13/2018

FIGURE 1



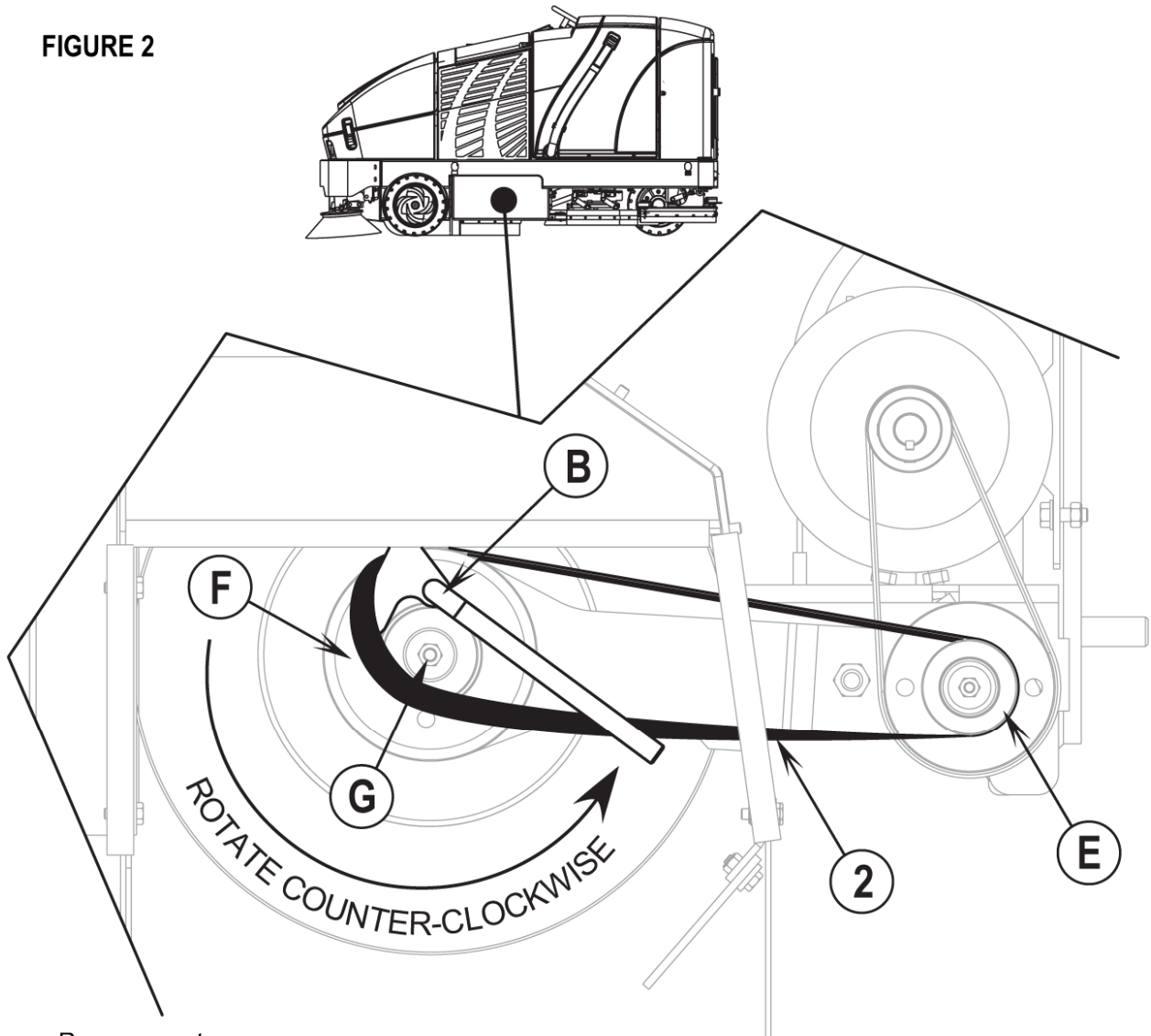
Resource notes:

NOTE: Autotension Belt Tool 56303264 is required to install this kit.

---

Pos.	Artikel-Nr.	Menge	Variante	Notes
	56040832	1		
01	56303262	1		

FIGURE 2

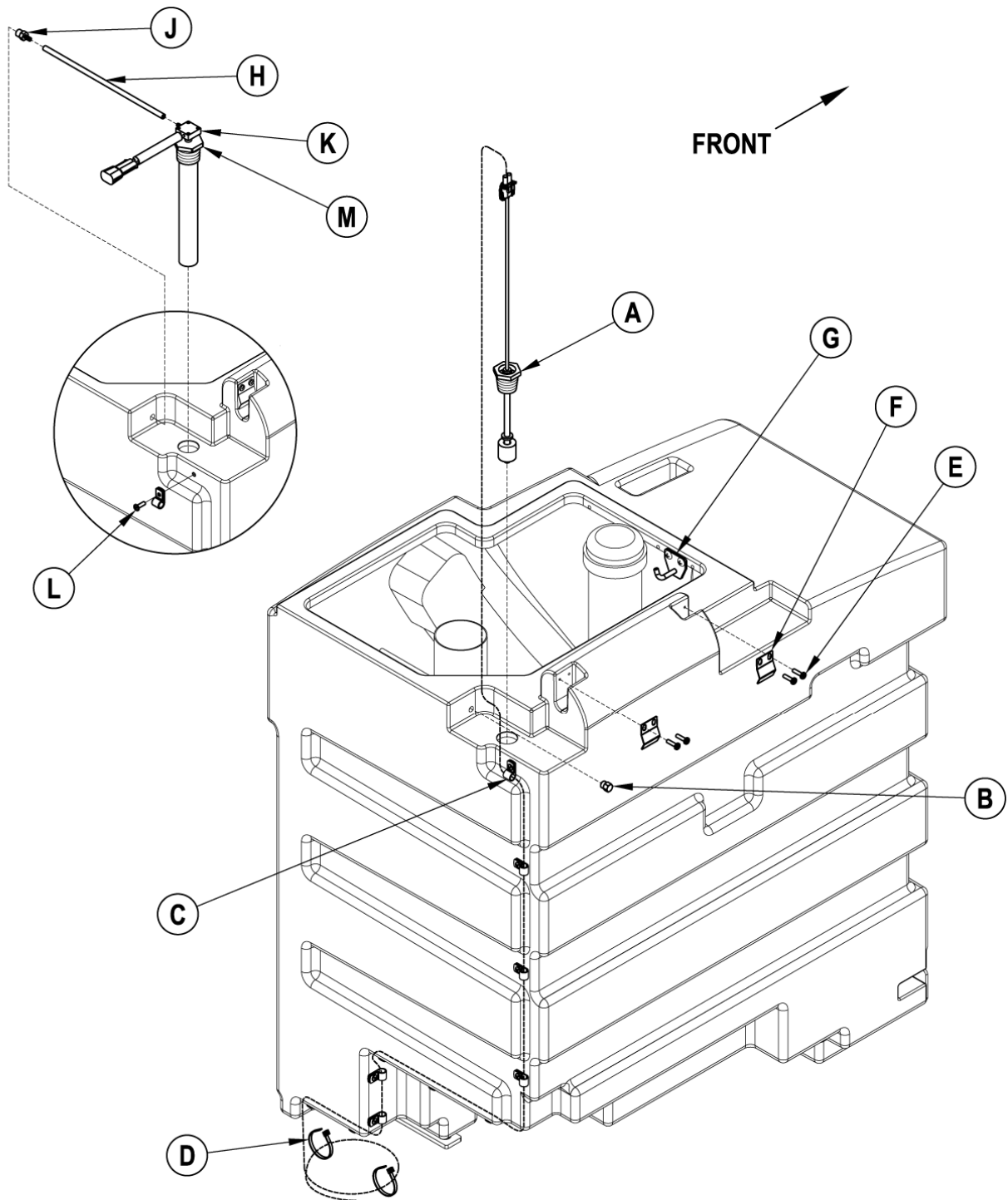


Resource notes:

NOTE: Autotension Belt Tool 56303264 is required to install this kit.

---

Pos.	Artikel-Nr.	Menge	Variante	Notes
	56303445	1	BELT KIT MAIN BROOM	
02	56303263	1		

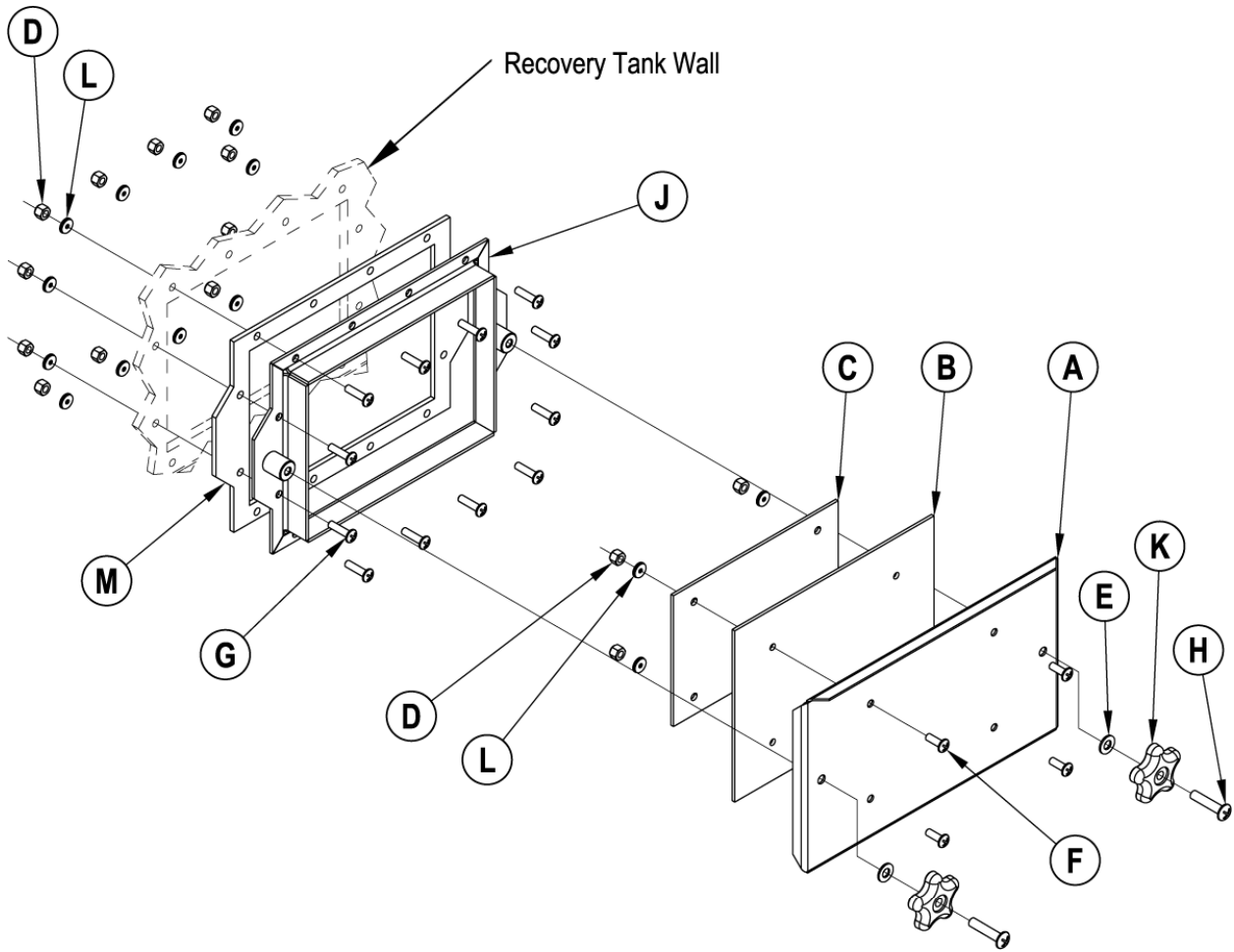


Note: 80 gallon recovery tank is shown, 60 gallon tank is similar.

---

Pos.	Artikel-Nr.	Menge	Variante	Notes
	56305978	1	Schalter f. Schmutz-	
0A	56305977	1	Schwimmerschalter CR 1400	
0B	2-00-03778	1	HEX HD 1/8 NPT PLUG	
0C	56220507	13	Klammer	
0D	56478246	2	CABLE TIE E00549 RE438BA	

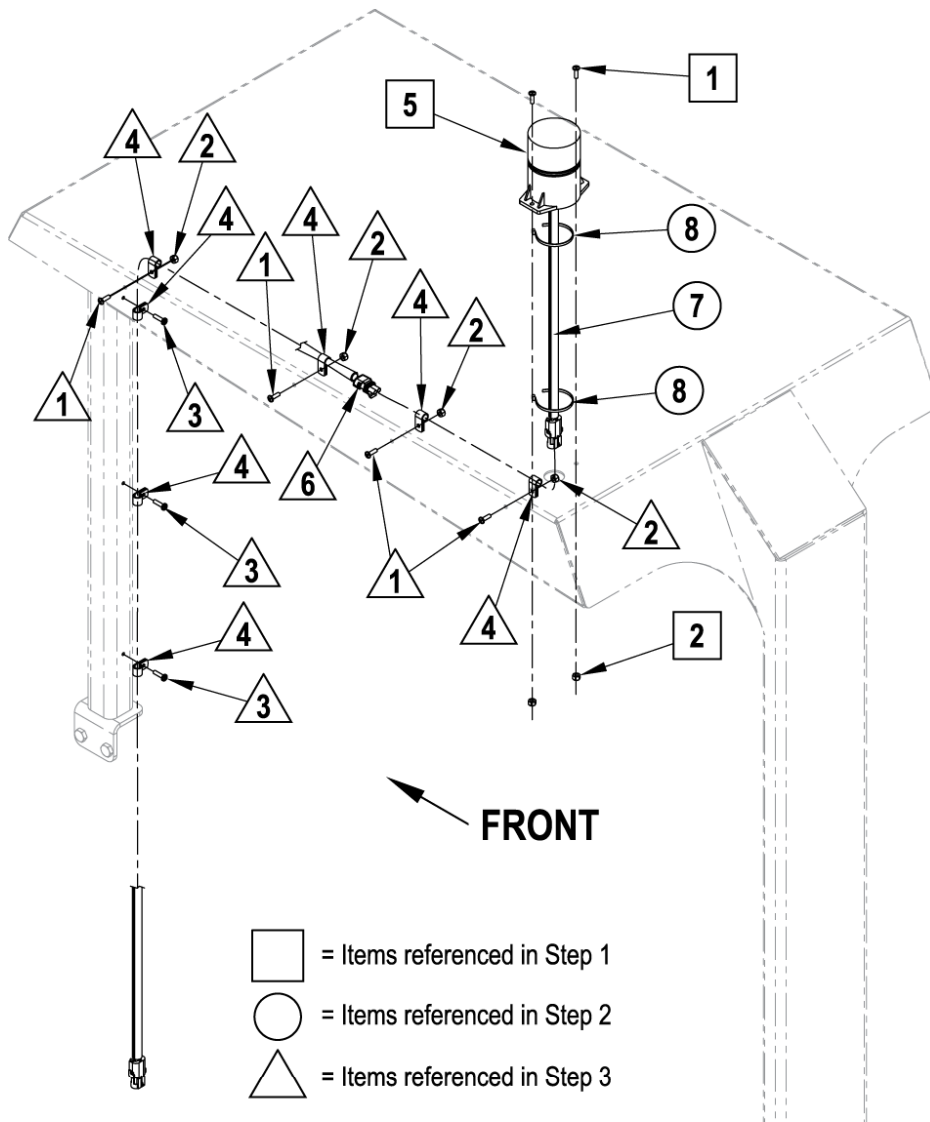




Pos.	Artikel-Nr.	Menge	Variante	Notes
	56303572	1	Revisionsklappe	[1]
0A	56459302	1	COVER	[1]
0B	56459303	1	GASKET,DOOR	[1]
0C	56459312	1	PLATE	[1]
0D	56002491	16	Stopmutter 1/4-20	
0E	56002938	2	WSH FLT SAE SS 5/16	
0F	56002957	4	Schraube SS 1/4 - 20 X	
0G	56003067	12	Schraube 1/4-20-1.00AX 310	
0H	56003208	2	SCR PAN PHIL SS 5/16-18 X 1.50	
0J	56303568	1	FRAME WELDMENT	
0K	56396254	2	Knopf	
0L	56900737	16	UNTERLAGSSCHEIBE	
0M	56303578	1	GASKET BASE	[2]

## Part Notes:

- [1] - NO LONGER AVAILABLE  
[2] - SEE PI 2017-002

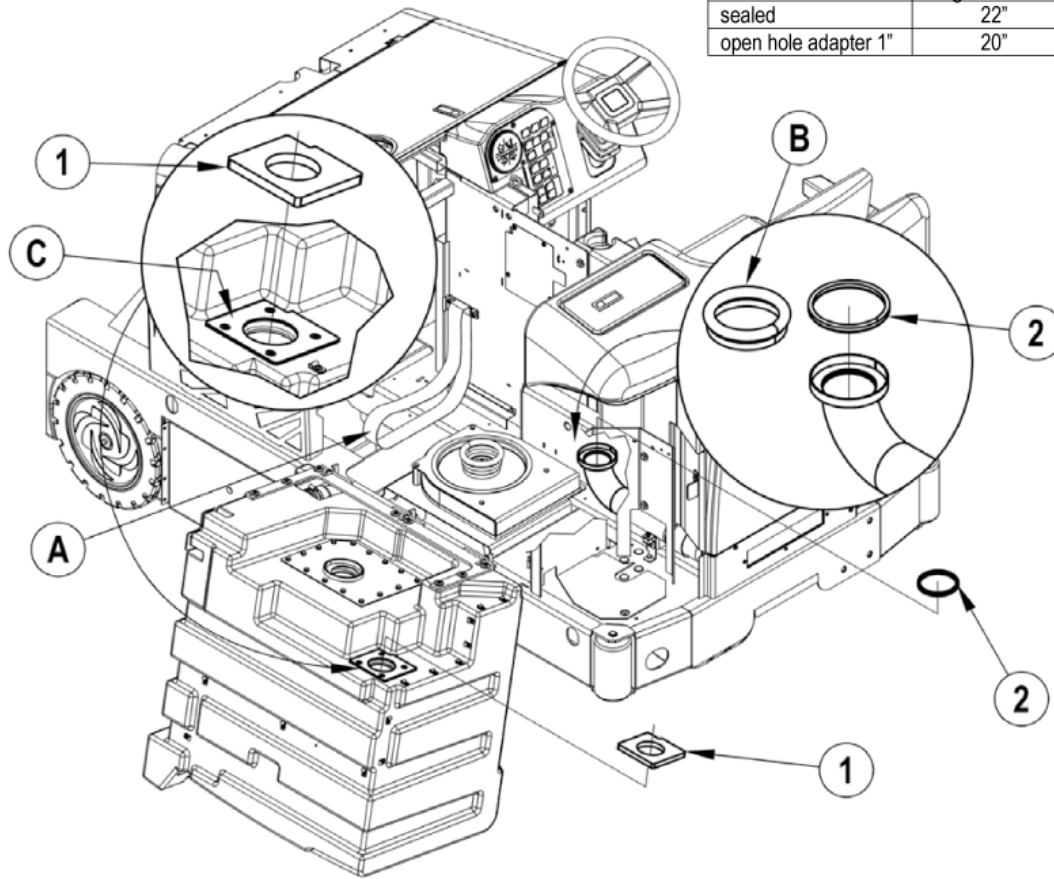


Pos.	Artikel-Nr.	Menge	Variante	Notes
	56303579	1	OH GUARD BEACON KIT	
01	56002124	6	Schraube10-24 X .62 PNH PH.	
02	56002768	6	1/4-20 NYLOC NUT	
03	56009043	3	SCR PAN PHIL THD FORM10-24X.75	
04	56172017	7	P-CLIP E00129	
05	56307166	1	Rundumleuchte	
06	56307165	1	HARNESS BEACON	
07	56307171	1	CONDUIT	[1]
08	56478246	2	CABLE TIE E00549 RE438BA	

## Part Notes:

[1] - SEE PI 2017-002

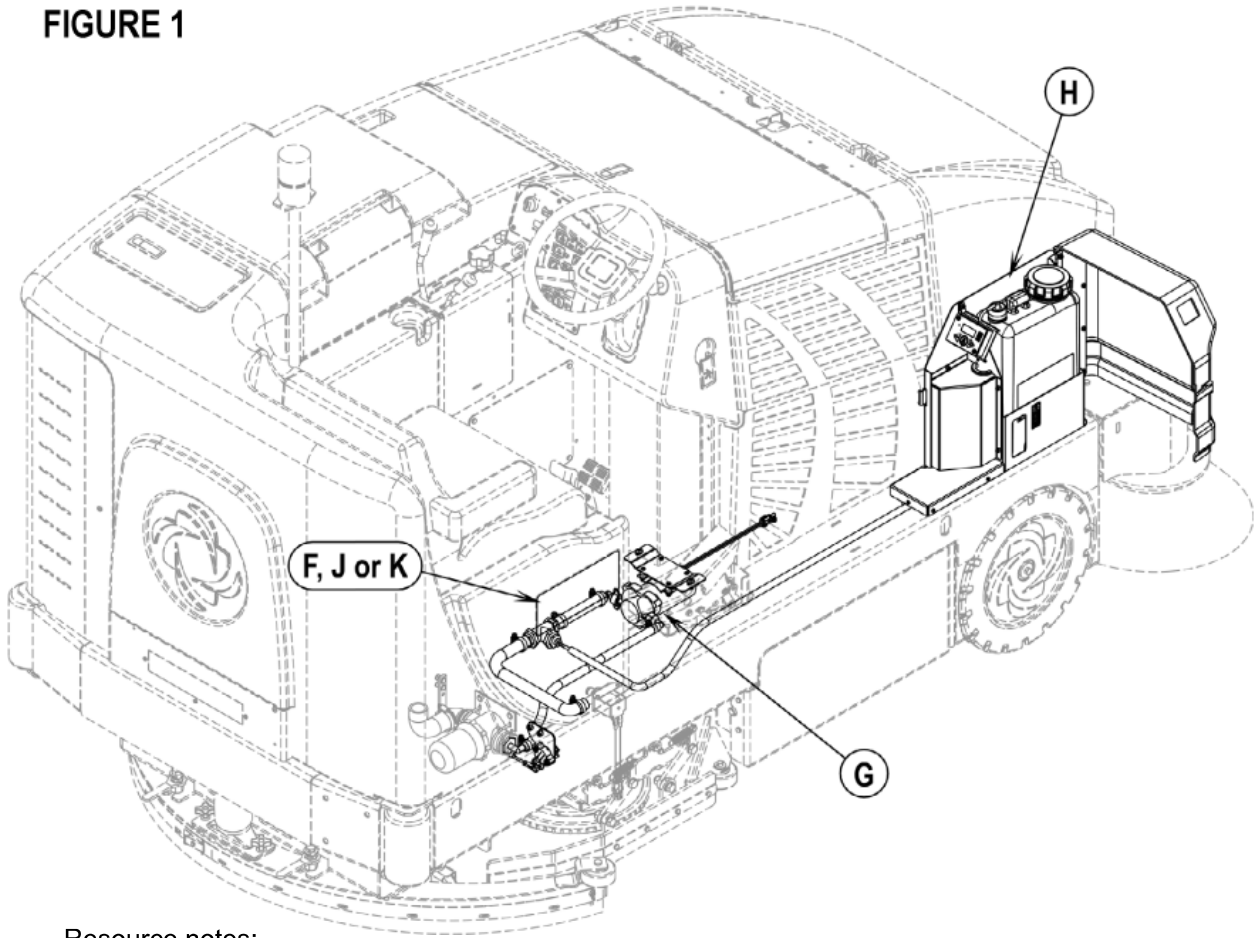
Vacuum water lift	Engine models	Battery models
sealed	22"	72"
open hole adapter 1"	20"	6.3"



---

Pos.	Artikel-Nr.	Menge	Variante	Notes
	56307221	1	Dichtungskit Ansaugens.	
01	56307219	1	Schaumdichtung	
02	56307220	1	Kantenschutz	

FIGURE 1



Resource notes:

NOTE: Refer to Main parts list for complete list of replacement parts.

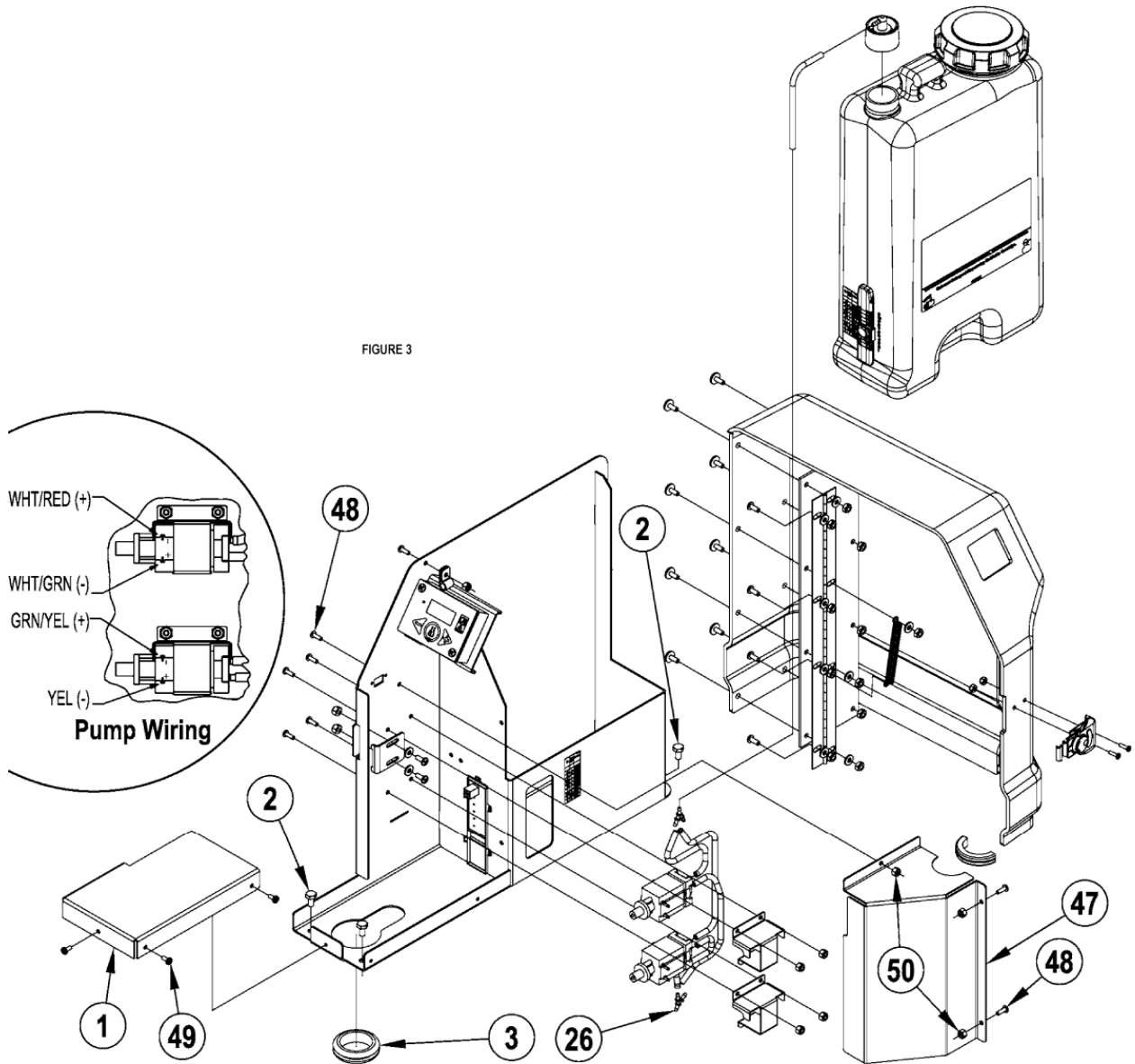
Pos.	Artikel-Nr.	Menge	Variante	Notes
	56306145	1	EDS-Set 36VDC	[1]
0B	56009039	1	SCHRAUBE 1/4-20X1-1/2	
0C	56051474	1	CLAMP. P. E00129	
0D	56303589	1	DECAL CIRCUIT BREAKER	[2]
0E	56303588	1	PLATE CIRCUIT BREAKER MOUNT	[2]
0F	56303590	2		
0G	56306160	1	PUMP ASSY 36 VDC	[2]
0H	56306197	1	Steuerkasten	[3]
0I	56306167	1	Kabelbaum Batterie	[2]
0J	56306179	2	DECAL CR1200 EDS	
0K	56306180	2	DECAL CR1400 EDS	
0L	56459367	1	Abdeckung Rückstellknopf5015	
0M	56387316	1	Schütz 10A	
0N	56305232	1	GASKET	
0O	56459825	1	Reduzierung	

## Part Notes:

- [1] - PRUNED ACCESSORY  
 [2] - SEE PI 2017-002  
 [3] - NO LONGER AVAILABLE



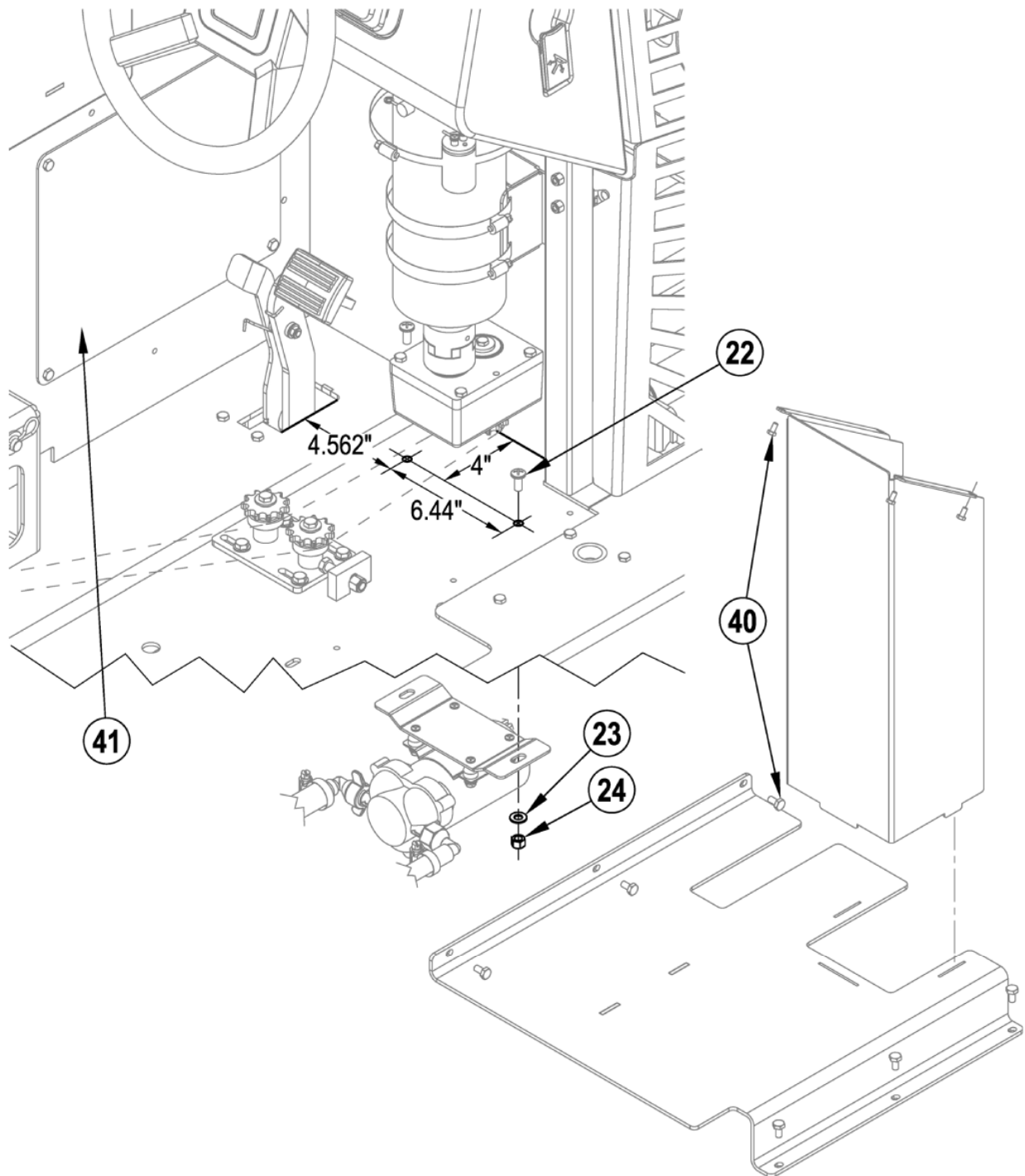
FIGURE 3



---

Pos.	Artikel-Nr.	Menge	Variante	Notes
01	56306148	1	COVER	
02	56009033	4	Schraube 1/4-20X1 2HP 5	
03	56054715	1	GROMMET E00059	
47	56306198	1	PUMP COVER	
48	56002003	8	SCR PAN PHIL 8-32 X .50	
49	56002523	3	SCR PAN HD PHIL HP5 8-32 X .38	
50	56002808	8	NUT HEX NYLOC 8-32	

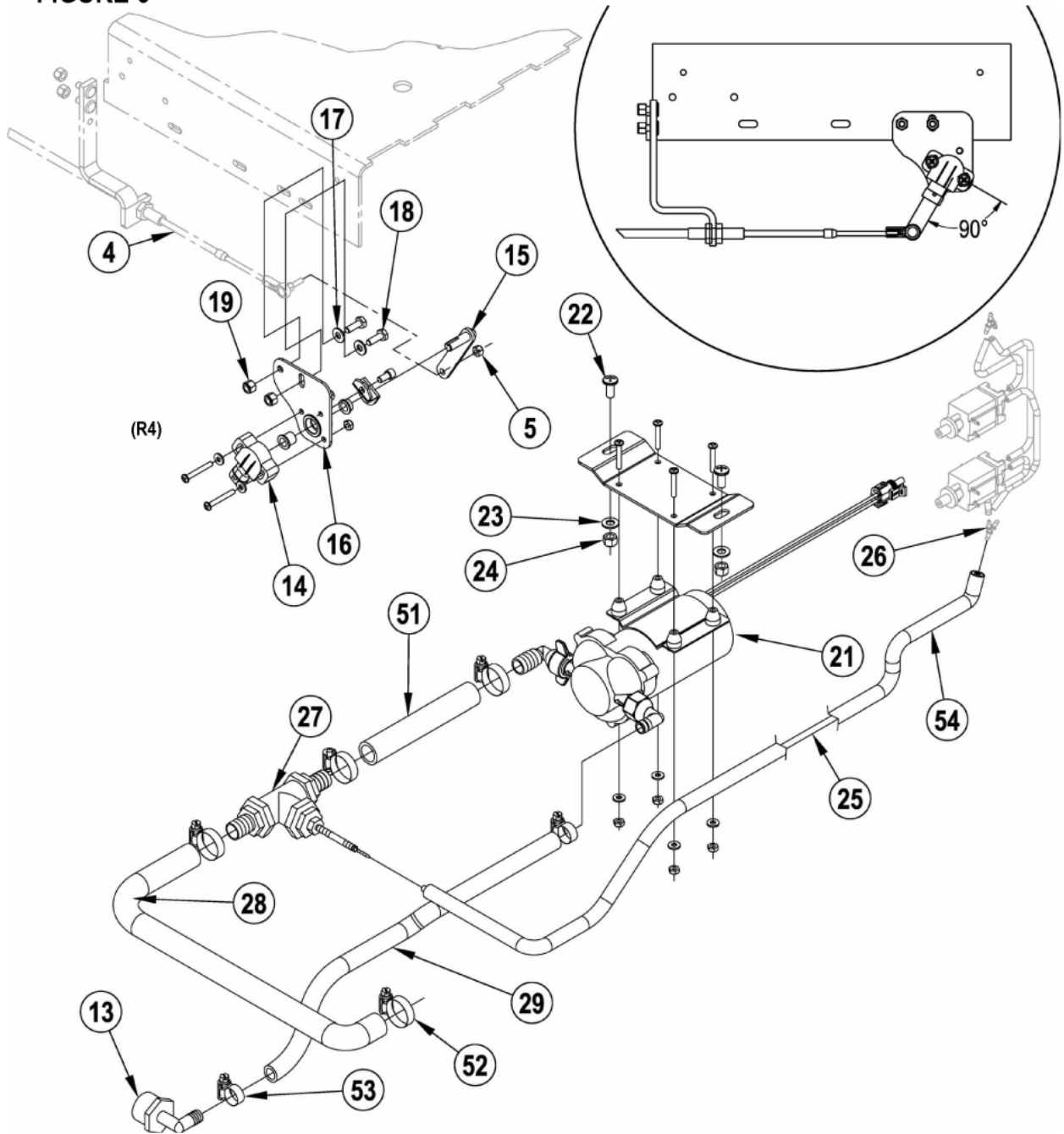
FIGURE 5



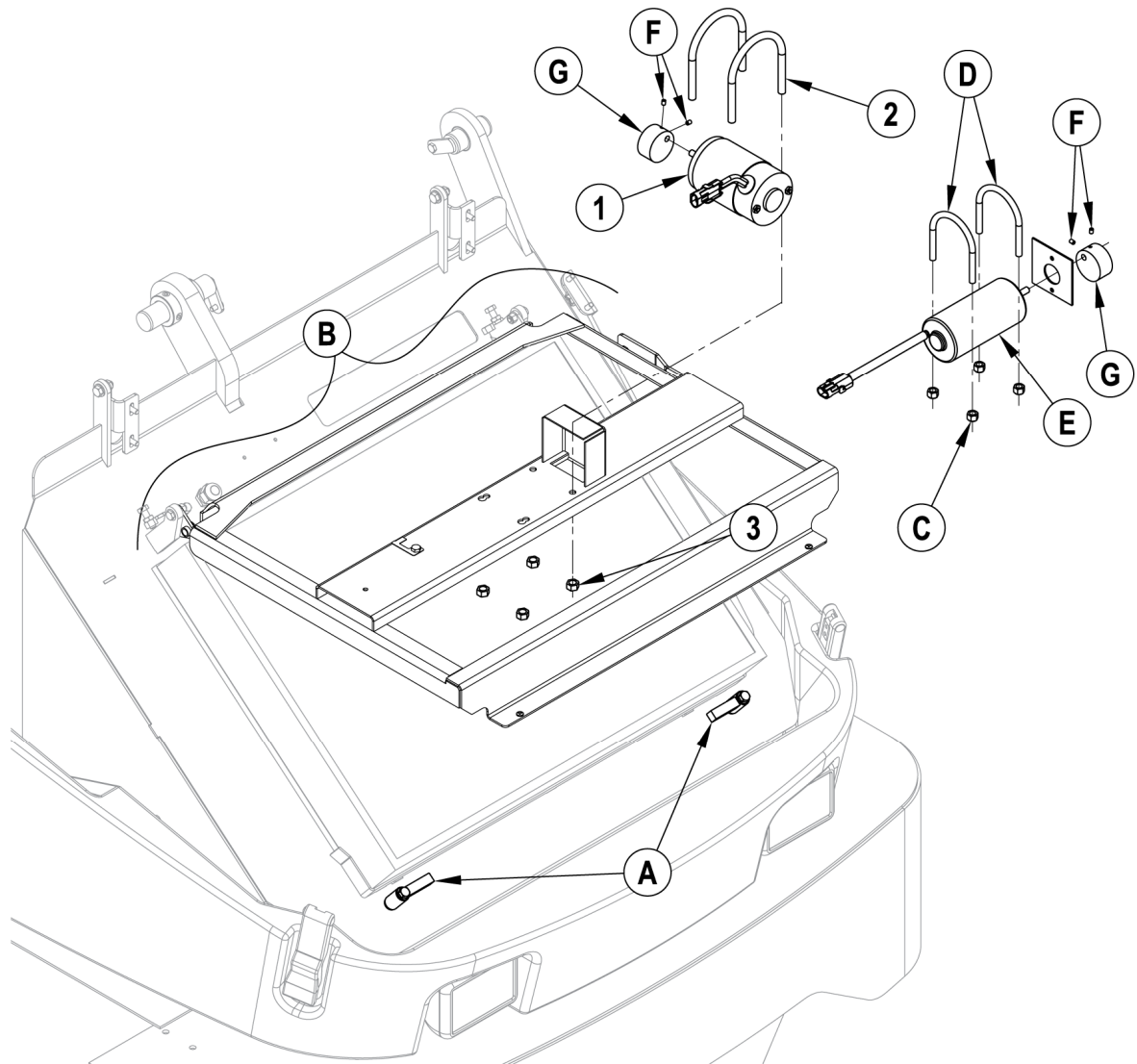
---

Pos.	Artikel-Nr.	Menge	Variante	Notes
22	56002793	2	Schraube PAN PHIL 5/16-18	
23	56001939	2	Flachdichtung 5/16	
24	56002701	2	MUTTER 5-16-18 HEX JAM	

FIGURE 6



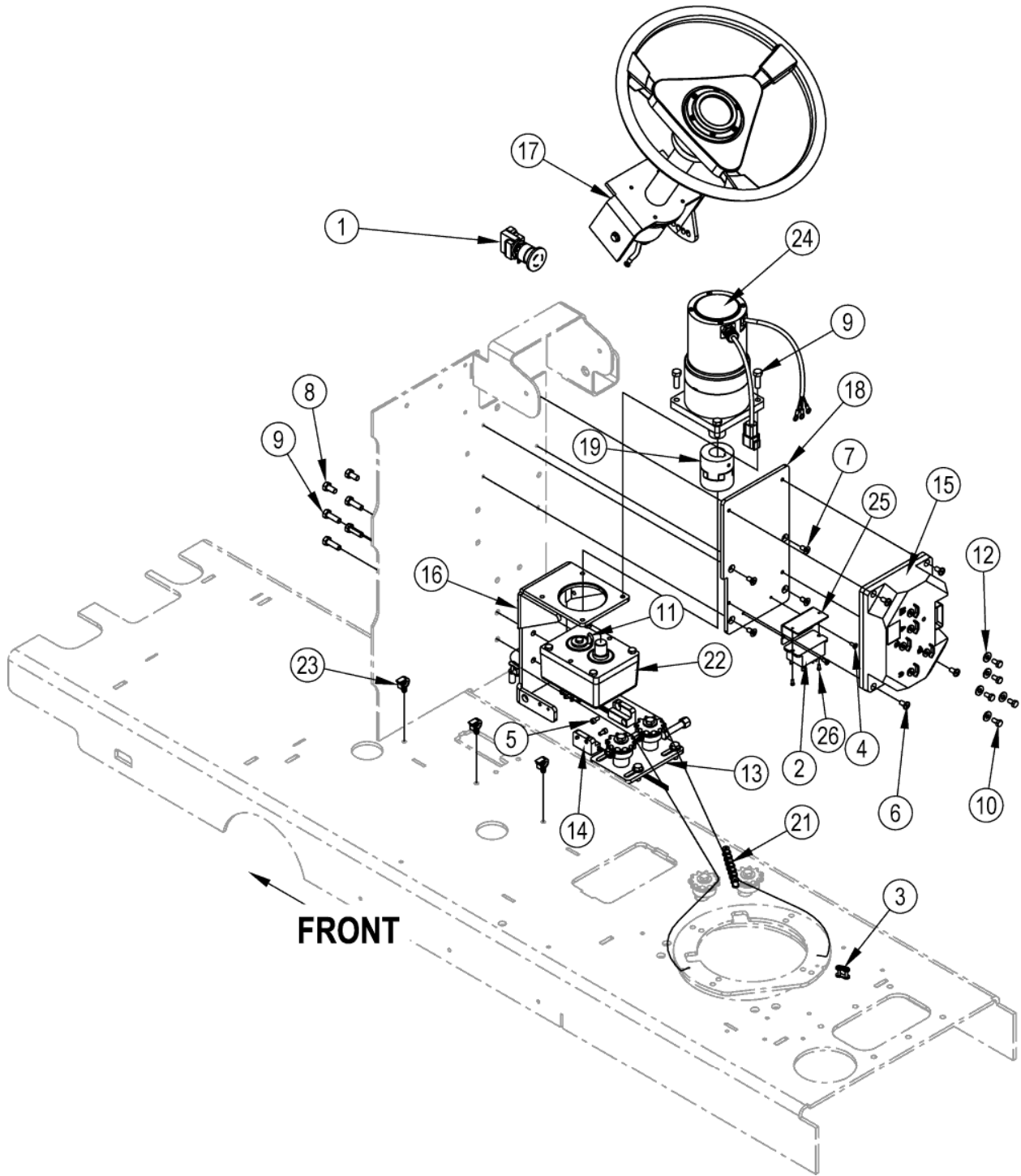
Pos.	Artikel-Nr.	Menge	Variante	Notes
13	56900245	1	BARB ELBOW E00037	
14	56303313	1	Sensor f. Fahrpedal	
15	56306129	1	CONTROL ARM WELDT	
16	56306165	1	PIVOT SENSOR WELT	
17	56002098	2	Scheibe	
18	56002155	2	SCR HEX 1/4-20 X .75	
19	56002708	2	Stopmutter 1/4-20	
22	56002793	2	Schraube PAN PHIL 5/16-18	
23	56001939	2	Flachdichtung 5/16	
24	56002701	2	MUTTER 5-16-18 HEX JAM	
25	56314942	1	Schlauch	
27	56306194	1	T-Stück	
28	56305591	1	HOSE SPIRAL .750 E00605	
29	56412277	1	Schlauch f. Frischwasser-	
51	56305762	1	Schlauch	
52	56244969	4	Schlauch-Bride	
53	56219932	2	Briede	
54	56306168	1	CONDUIT SOLUTION HOSE 44LG	



---

Pos.	Artikel-Nr.	Menge	Variante	Notes
	56508773	1	Rüttelmotorkit	
01	56508664	1	Rüttelmotor 12V	
02	56508888	2	Bügel	
03	56002841	4	NUT HEX NYL LOC-THIN 3/8	





Pos.	Artikel-Nr.	Menge	Variante	Notes
	56380500	1	Lenkhilfe Kit	[1]
01	56407130	1	Schalter(Notunterbrecher)	
02	40892A	1	Zweipoliges Umschalt-	
03	56445096	1	LINK CONNECTOR #40 CV491W	
04	56001818	2	SCR PAN PHIL 8-32 X .38	
05	56002087	2	Schraube SOC HD 10-24 X .38	
06	56002828	4	SCR PAN PHIL LOC 1/4-20 X .6	
07	56002921	4	SCR FLT PHIL LOC 1/4-20 x .50	
08	56002929	2	SCR HEX HD LOC 5/16-18X	
09	56003073	8	SCR HEX HD LOC S/16-18	
10	56003155	5	Schraube HEX M6 1.0x12mm	
11	56003228	1	KEY, WDF 606	
12	56009064	5	Unterlegscheibe	
13	56303108	1	Spannrollenagregat	
14	56305053	2	Näherungssensor	
15	56510729	1	Lenksteuerung	
16	56380392	1	BRACKET MOTOR	[2]
17	56380395	1	Lenkrad kpl.	[2]
18	56380407	1	PLATE MOUNT AC DRIVER	[2]
19	56380408	1	Kupplungs Aggregat	[2]
20	56380426	1	STEER BY WIRE HARNESS	
21	56380442	1	Kette	
22	56380448	1	Lenkgetriebe	[2]
23	56507793	3	CLIP CONDUIT	
24	56380406	1	Motor f. Lenkgetriebe 36V	
25	56510991	1	BRACKET-RELAY	
26	56002593	2		
27	56477613	3	Kabelbändli 7x380mm	[3]
28	56478246	3	CABLE TIE E00549 RE438BA	[3]
29	56469384	1	RECEPTACLE TAB .250	[3]
30	56469382	1	TERM. 250 INS. TAB	[3]

## Part Notes:

- [1] - NO LONGER AVAILABLE  
 [2] - SEE PI 2017-002  
 [3] - NOT SHOWN

