

**Ersatzteilliste
Spare Parts List
Liste des pièces de rechange**

HDS 797 CI

- 1.873-501.0 HDS 797 CI * EUROPA
- 1.873-502.0 HDS 797 CI * EUROPA
- 1.873-503.0 HDS 797 CI * CH
- 1.873-504.0 HDS 797 CI * AUS-GB
- 1.873-508.0 HDS 797 CI-FORD*EUR
- 1.873-509.0 HDS 797 CI-FORD* GB
- 1.873-512.0 HDS 797 CI RUS

GRUPPE: 1.0 EINZELTEILE
GROUP: 1.0 PIECE PARTS
GRUPPE: 1.0 PIECES CONSTITUANTES

A1

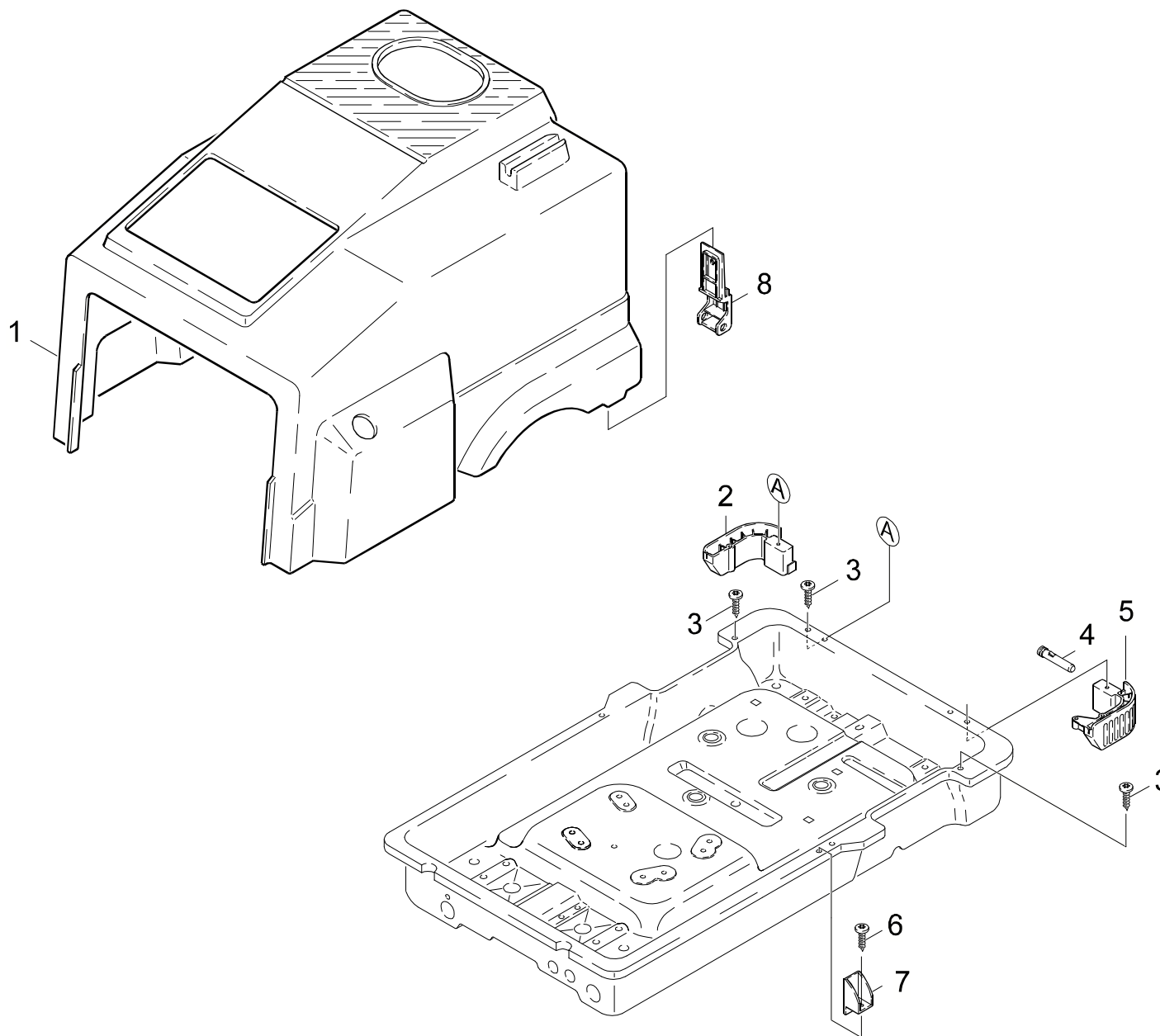
HDS 797 CI

GRUPPE: 1.0 EINZELTEILE
GROUP: 1.0 PIECE PARTS
GRUPPE: 1.0 PIECES CONSTITUANTES

GRUPPE: 1.1 HAUBE
GROUP: 1.1 COVER
GRUPPE: 1.1 CAPOT

B1

HDS 797 CI



Symbolbeschreibung siehe M16 / symbol description see M16 / désignation de système voir M16 /

GRUPPE: 1.1 HAUBE
GROUP: 1.1 COVER
GRUPPE: 1.1 CAPOT

C1

HDS 797 CI

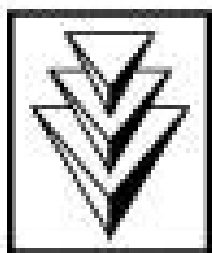
POS.	BENNENUNG	TEILE-NR.	STCK
ITM.	DESCRIPTION	PART-NO.	QTY.
POS.	DESIGNATION	NO.PIECE	NBR.
1	HAUBE / COVER / CAPOT	5.066-686.0	1
2	GRIFF LINKS / HANDLE / POIGNEE	5.321-280.0	1
3	BL.SCHR. ST4,8X19 / SHEET METAL SCREW / VIS A TOLE	7.303-078.0	3
4	BOLZEN / BOLT / BOULON	5.316-240.0	2
5	GRIFF RECHTS / HANDLE / POIGNEE	5.321-278.0	1
6	BL.SCHR. ST4,8X13 / SHEET METAL SCREW / VIS A TOLE	7.303-076.0	2
7	HALTER / BRACKET / FIXATION	5.042-561.0	2
8	HALTER / BRACKET / FIXATION	5.042-462.0	2

"=> xxxxxx" = bis Werknummer / up to serial No. / jusqu' au No. de fabr. / "xxxxxx =>" = ab Werknummer / from serial No. / a partir du No. de fabr. /

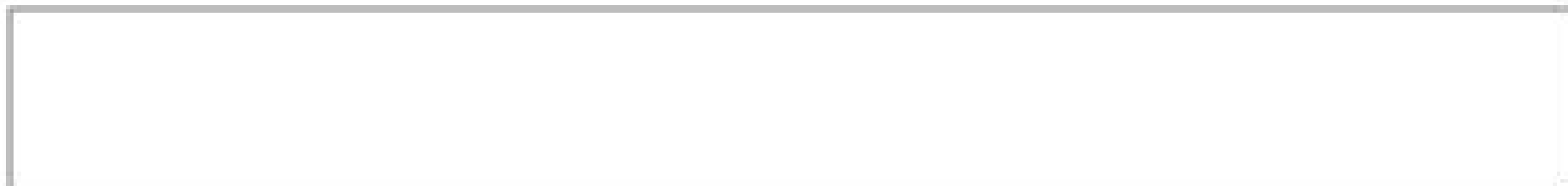
GRUPPE: 1.2 TANK
GROUP: 1.2 TANK
GRUPPE: 1.2 RESERVOIR

D1

HDS 797 CI



KÄRCHER



Symbolbeschreibung siehe M16 / symbol description see M16 / désignation de système voir M16 /

GRUPPE: 1.2 TANK
GROUP: 1.2 TANK
GROUPE: 1.2 RESERVOIR

E1

HDS 797 CI

POS.	BENNENUNG	TEILE-NR.	STCK
ITM.	DESCRIPTION	PART-NO.	QTY.
POS.	DESIGNATION	NO.PIECE	NBR.

1	DECKEL BRENNSTOFF / COVER / COUVERCLE	5.063-565.0	1
2	DICHTRING / JOINT RING / BAGUE D'ETANCHEITE	5.363-290.0	1
3	FILTER / FILTER / FILTRE	5.731-039.0	1
4	BRENNSTOFFTANK / FUEL TANK / RESERVOIR COMBUSTION	5.071-075.0	1
5	HALTER / BRACKET / FIXATION	5.042-463.0	1
6	SCHRAUBE M 6X 20 / SCREW / VIS	6.303-105.0	2
7	SCHEIBE 6 / WASHER / RONDELLE	7.312-291.0	2
8	AUFLAGER / SUPPORT / SUPPORT	5.057-040.0	1
9	DECKEL / COVER / COUVERCLE	5.063-360.0	1
10	O-RING 50,0 X 4,0 / GASKET / BAQUE D'ETANCHEITE	6.362-635.0	1
11	PROFILDICHTUNG / SEAL / ETOUPE PROFILE	5.365-147.0	1
12	CHEMIETANK / CHEMISTRIE TANK / RESERVOIR A CHEMIE	5.071-038.0	1
13	FILTER / FILTER / FILTRE	6.414-028.0	1
14	SCHLAUCHSCHELLE / HOSE BAND CLIP / COLLIER DE SERRAGE	6.388-559.0	1
15	SCHLAUCH DN 7 / HOSE / TUYAU FLEXIBLE	6.388-225.0	1

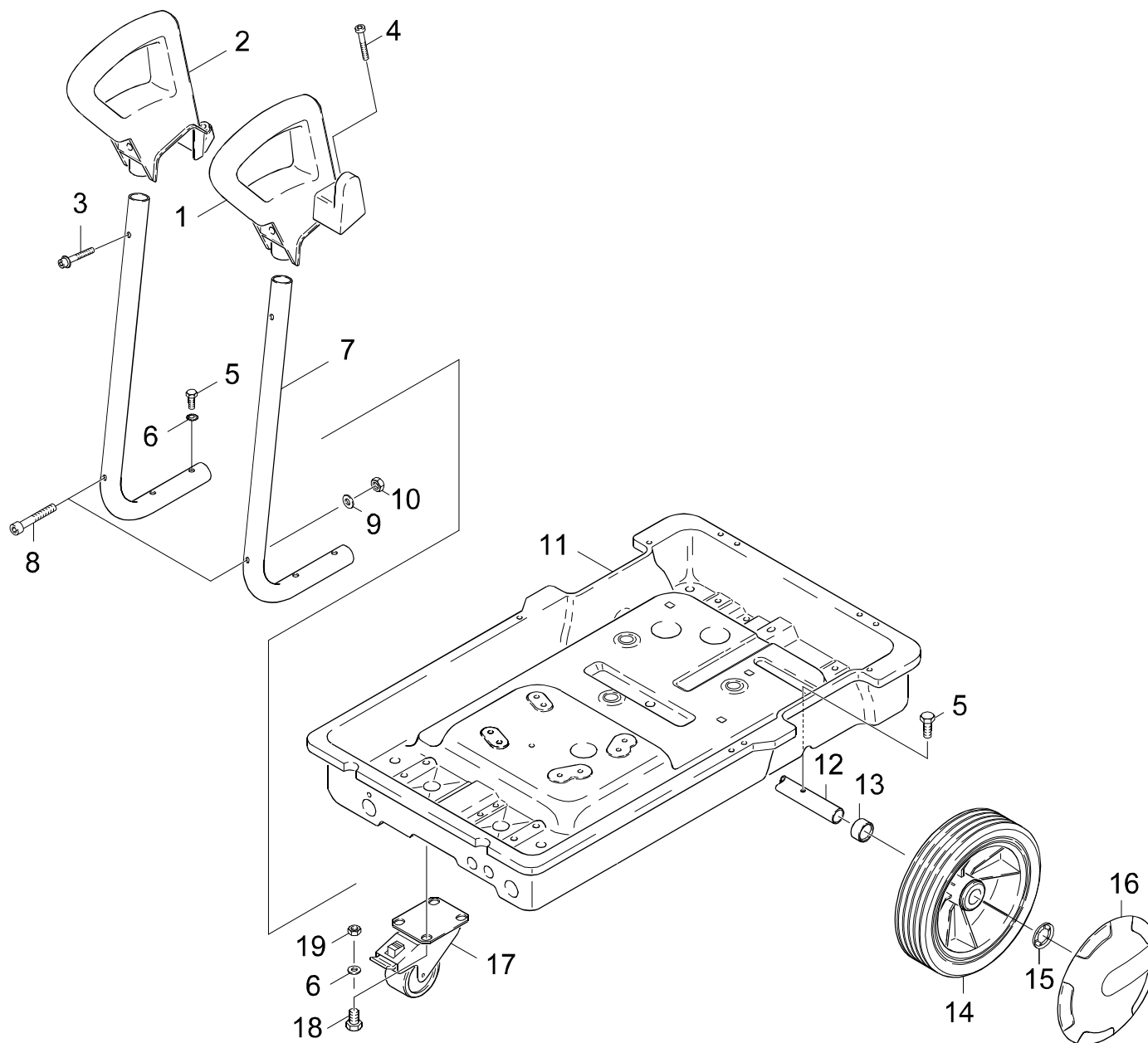
**ALS METERWARE BESTELLEN/TO ORDER AS CUT
GOODS/COMMANDE COMME MARCHANDISE AU METRE**

"=> xxxxxx" = bis Werknummer / up to serial No. / jusqu' au No. de fabr. / "xxxxxx =>" = ab Werknummer / from serial No. / a partir du No. de fabr. /

GRUPPE: 1.3 RAHMEN
GROUP: 1.3 FRAME
GRUPPE: 1.3 CADRE

F1

HDS 797 CI



Symbolbeschreibung siehe M16 / symbol description see M16 / désignation de système voir M16 /

GRUPPE: 1.3 RAHMEN
GROUP: 1.3 FRAME
GROUPE: 1.3 CADRE

G1

HDS 797 CI

POS. ITM. POS.	BENNENUNG DESCRIPTION DESIGNATION	TEILE-NR. PART-NO. NO.PIECE	STCK QTY. NBR.
1	GRIFF KPL. / HANDLE / POIGNEE	4.321-069.0	1
2	GRIFF / HANDLE / POIGNEE	5.321-440.0	1
3	SCHRAUBE M 8X 30 / SCREW / VIS	6.303-191.0	2
4	FL.SCHR. M 6X 35 / FLAT SCREW / VIS	7.306-550.0	2
5	SCHRAUBE M 8X 16 / SCREW / VIS	6.303-031.0	4
6	ZAHNSCHEIBE A 8,4 / LOCK WASHER / ROUE PLATE	7.312-166.0	3
7	GRIFF / HANDLE / POIGNEE	5.321-447.0	2
8	ZYL.SCHR. M 6X 45 / CHEESE HEAD SCREW / VIS A TETE CYLINDR.	7.306-514.0	2
9	SCHEIBE 6 / WASHER / RONDELLE	7.312-260.0	2
10	6KT-MUTTER M 6 / HEXAGON NUT / ECROU HEXAGONAL	7.311-512.0	2
11	RAHMEN / FRAME / CADRE	5.050-032.0	1
12	ACHSE / AXLE / ESSIEU	5.105-251.0	1
13	HUELSE / SLEEVE / DOUILLE	5.110-561.0	2
14	RAD D250 / WHEEL / ROUE	6.435-312.0	2
15	KLEMMSCHEIBE D25 / CLAMPIUNG DISC / DISQUE DE SERRAGE	6.343-217.0	2
16	RADKAPPE / WHEEL CAB / ENJOLIVEUR	6.435-197.0	2
17	LENKROLLE / CASTOR / ROUE PIVOTANTE	6.435-116.0	1
18	6KT-SCHR. M 8X 16 / HEXAGONAL HEAD SCREW / VIS HEXAGONAL	7.304-395.0	4
19	6KT-MUTTER M 8 / HEXAGON NUT / ECROU HEXAGONAL	7.311-004.0	4

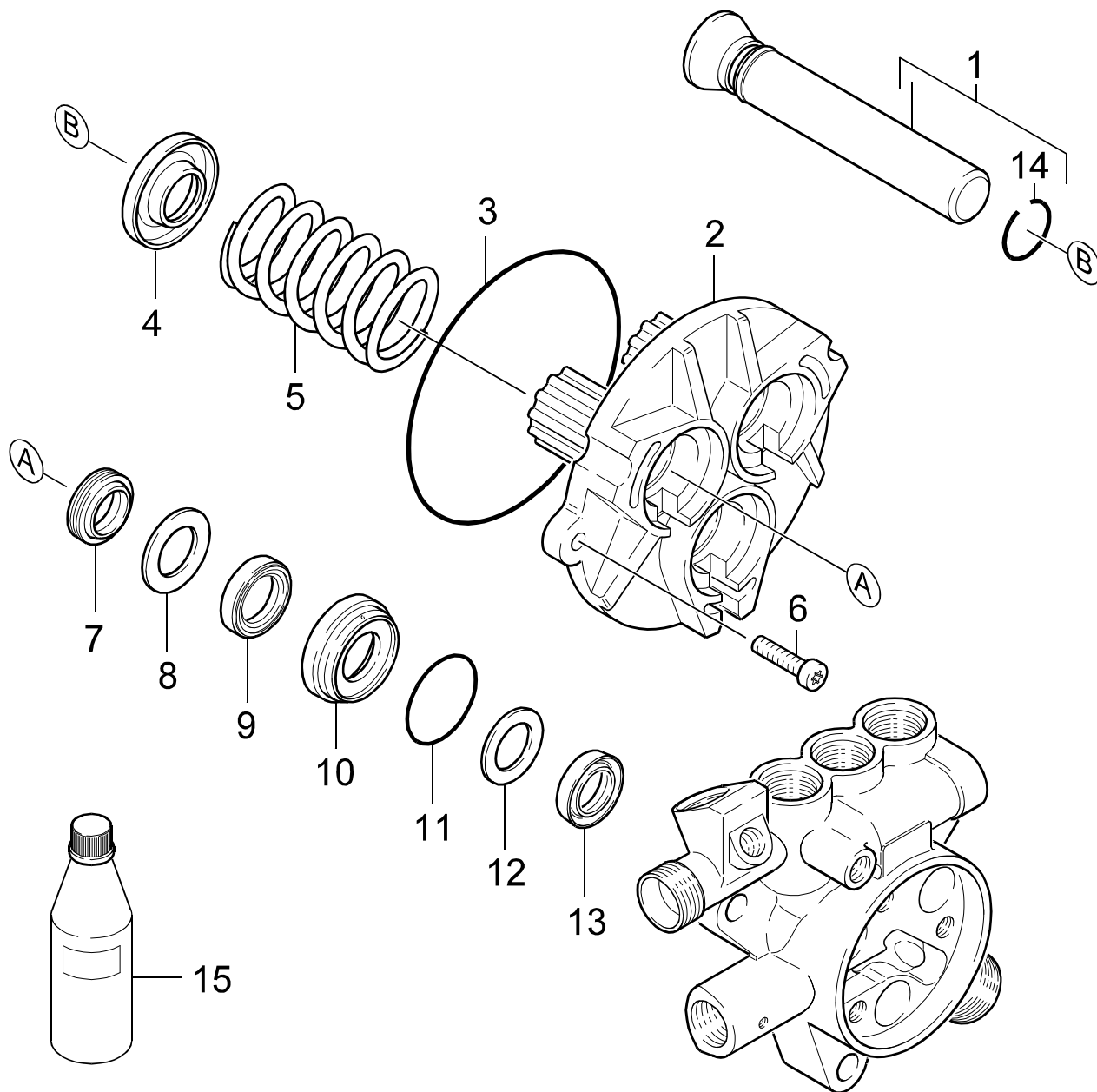
"=> xxxxxx" = bis Werknummer / up to serial No. / jusqu' au No. de fabr. / "xxxxxx =>" = ab Werknummer / from serial No. / a partir du No. de fabr. /

GRUPPE: 2.0 PUMPENSATZ
GROUP: 2.0 PUMP SET
GRUPPE: 2.0 JEU (ENSEMBLE) DE POMPE

A2

HDS 797 CI

GRUPPE: 2.0 PUMPENSATZ
GROUP: 2.0 PUMP SET
GRUPPE: 2.0 JEU (ENSEMBLE) DE POMPE



Symbolbeschreibung siehe M16 / symbol description see M16 / désignation de système voir M16 /

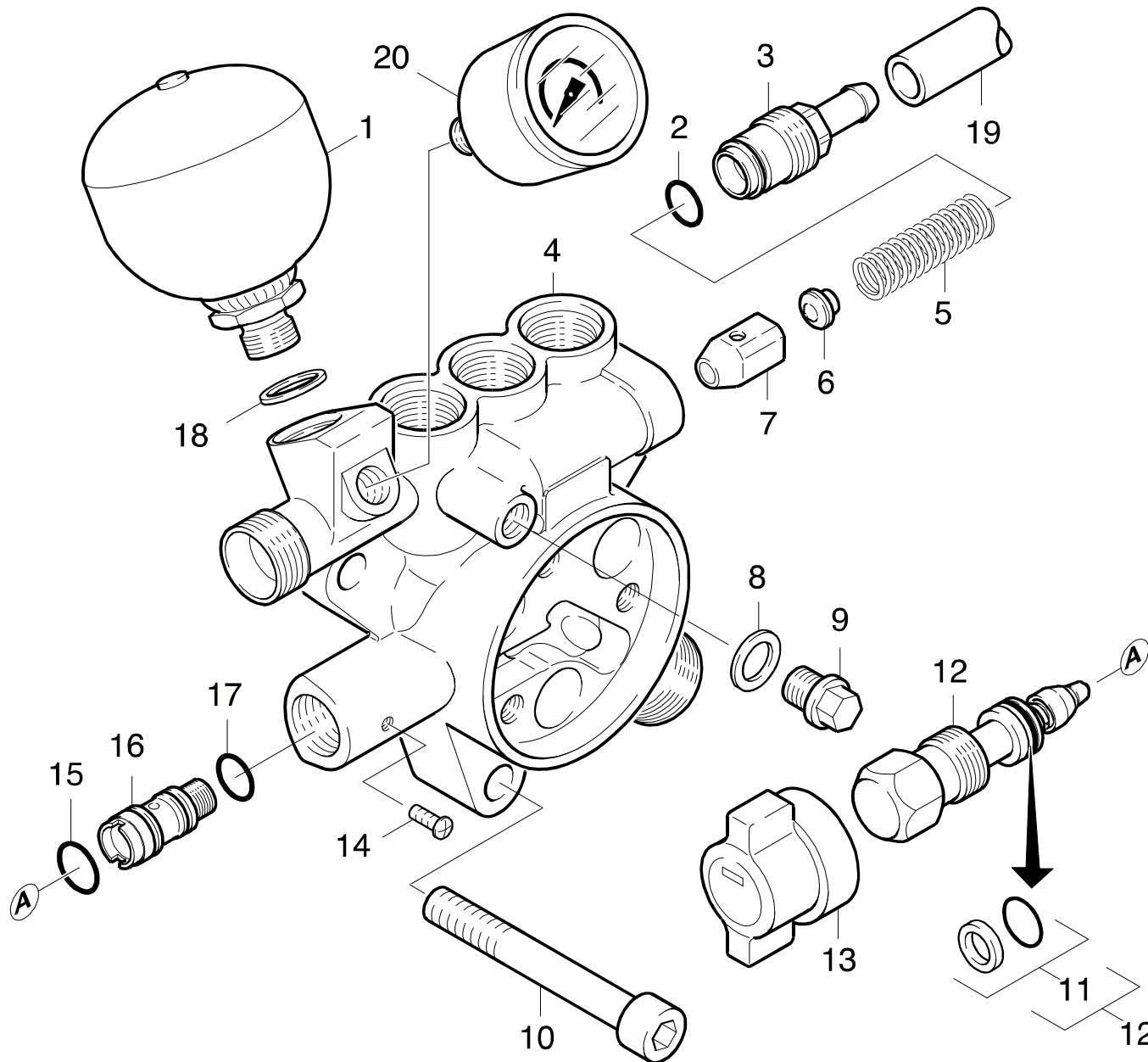
GRUPPE: 2.1 KOLBEN / VERSION1 /
GROUP: 2.1 PISTON / VERSION1 /
GROUPE: 2.1 PISTON / VERSION1 /

C2

HDS 797 CI

POS. ITM. POS.	BENNENUN G DESCRIPTION DESIGNATION	TEILE-NR. PART-NO. NO.PIECE	STCK QTY. NBR.
1	KOLBEN KPL. / PISTON / PISTON	4.553-124.0	3
2	GEHAEUSE / HOUSING / BOITIER	5.060-326.0	1
3	O-RING 101,27X 2,62 / GASKET / BAQUE D'ETANCHEITE	6.362-613.0	1
4	FORMTEIL / MOULDED PART / PREFORME	5.030-602.0	3
5	SCHRAUBENFEDER / HELICAL SPRING / RESSORT CYLINDRIQUE	5.332-139.0	3
6	ZYL.SCHR. M 6X 25 / CHEESE HEAD SCREW / VIS A TETE CYLINDR.	7.306-023.0	2
7	NUTRING 18X26X6/8 / GROOVED RING / JOINT A LEVRES	6.365-334.0	3
8	SCHEIBE / WASHER / RONDELLE	5.115-432.0	3
9	KOMPAKTDI. .18X28X6 / SEAL / JOINT	6.365-332.0	3
10	BUCHSE / BUSH / DOUILLE	5.112-340.0	3
11	O-RING 33,05X 1,78 / GASKET / BAQUE D'ETANCHEITE	6.362-406.0	3
12	SCHEIBE / WASHER / RONDELLE	5.115-431.0	3
13	NUTRING 18X26X5,4 / GROOVED RING / JOINT A LEVRES	6.365-333.0	3
14	SPRENGRING A 18 / RETAINER / CIRCLIP	7.343-473.0	1
15	GETRIEBEOEL 1L / GEAR LUBRICANT OIL / HUILE A ENGRENAGES	6.288-016.0	1
100	PUMPENSET / PUMP SET / GROUPE DE POMPES	2.883-172.0	1

"=> xxxxxx" = bis Werknummer / up to serial No. / jusqu' au No. de fabr. / "xxxxxx =>" = ab Werknummer / from serial No. / a partir du No. de fabr. /



Symbolbeschreibung siehe M16 / symbol description see M16 / désignation de système voir M16 /

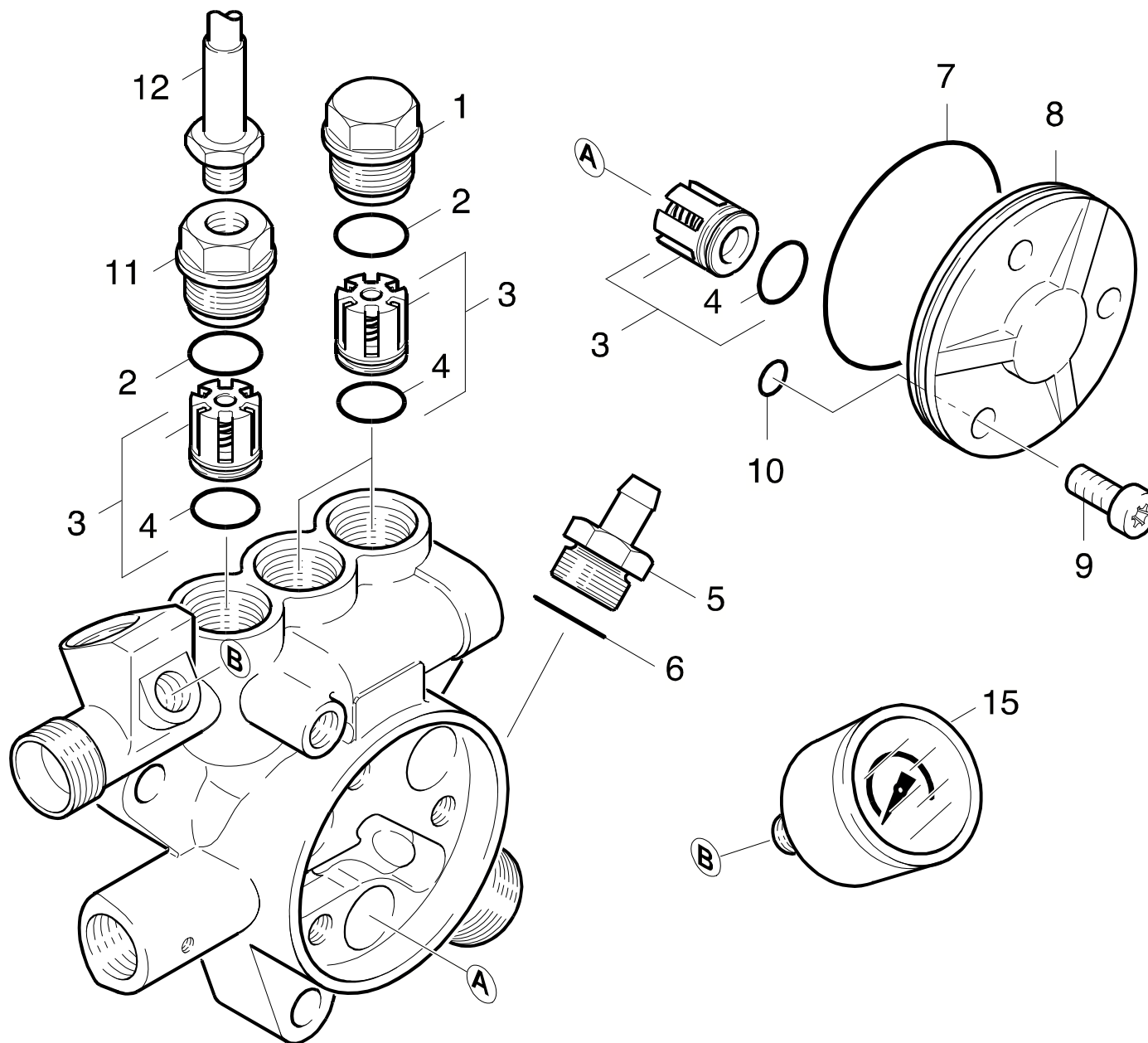
GRUPPE: 2.2 ZYLINDERKOPF / VERSION1 /
 GROUP: 2.2 CYLINDER HEAD / VERSION1 /
 GROUPE: 2.2 CULASSE / VERSION1 /

E2

HDS 797 CI

POS. ITM. POS.	BENNENUNG DESCRIPTION DESIGNATION	TEILE-NR. PART-NO. NO.PIECE	STCK QTY. NBR.
1	DRUCKSPEICHER / PULSATION DAMPER / ANTI-BELIER	6.505-025.0	1
2	O-RING 12,0 X 2,0 / GASKET / BAQUE D'ETANCHEITE	6.362-169.0	1
3	VENTILSCHRAUBE / VALVE SCREW / VIS POINTEAU (SOUP.)	5.583-130.0	1
4	ZYLINDERKOPF KPL. / CYLINDER HEAD / CULASSE	4.550-114.0	1
5	SCHRAUBENFEDER / HELICAL SPRING / RESSORT CYLINDRIQUE	5.332-140.0	1
6	VENTILBOLZEN / VALVE PIN / BOULON DE SOUPAPE	5.584-060.0	1
7	VENTILTeller KPL / VALVE DISC / TETE DE SOUPAPE	4.582-007.0	1
8	DICHTRING 10 X13,5 / JOINT RING / BAGUE D'ETANCHEITE	7.362-003.0	1
9	VS-SCHRAUBE M10X1,0 / CLOSING SCREW / VIS DE FERMETURE	7.382-085.0	1
10	ZYL.SCHR. M10X 70 / CHEESE HEAD SCREW / VIS A TETE CYLINDR.	7.306-125.0	3
11	O-RING 12,42 KOMPL / GASKET / BAQUE D'ETANCHEITE	6.362-575.0	1
12	SPINDEL / SPINDLE / PIVOT	4.291-009.0	1
13	GRIFF / HANDLE / POIGNEE	5.321-263.0	1
14	LINSENSCHR. M 4X 6 / OVAL HEAD SCREW / VIS A TETE BOMBEE	7.306-323.0	1
15	O-RING 11,0 X 1,3 / GASKET / BAQUE D'ETANCHEITE	6.362-402.0	1
16	HUELSE / SLEEVE / DOUILLE	5.110-384.0	1
17	O-RING 10 X 1,5 / GASKET / BAQUE D'ETANCHEITE	6.362-482.0	1
18	DICHTRING 14 X18 / JOINT RING / BAGUE D'ETANCHEITE	7.362-005.0	1
19	SCHLAUCH DN15 / HOSE / TUYAU FLEXIBLE	6.388-167.0	1
	ALS METERWARE BESTELLEN/TO ORDER AS CUT GOODS/COMMANDE COMME MARCHANDISE AU METRE		
20	MANOMETER 0-300 BAR / PRESSURE GAUGE / MANOMETRE	6.421-214.0	1
100	PUMPENSET / PUMP SET / GROUPE DE POMPES	2.883-172.0	1

"=> xxxxxx" = bis Werknummer / up to serial No. / jusqu' au No. de fabr. / "xxxxxx =>" = ab Werknummer / from serial No. / a partir du No. de fabr. /



Symbolbeschreibung siehe M16 / symbol description see M16 / désignation de système voir M16 /

GRUPPE: 2.3 VENTILE / VERSION1 /
GROUP: 2.3 VALVES / VERSION1 /
GROUPE: 2.3 SOUPAPES / VERSION1 /

G2

HDS 797 CI

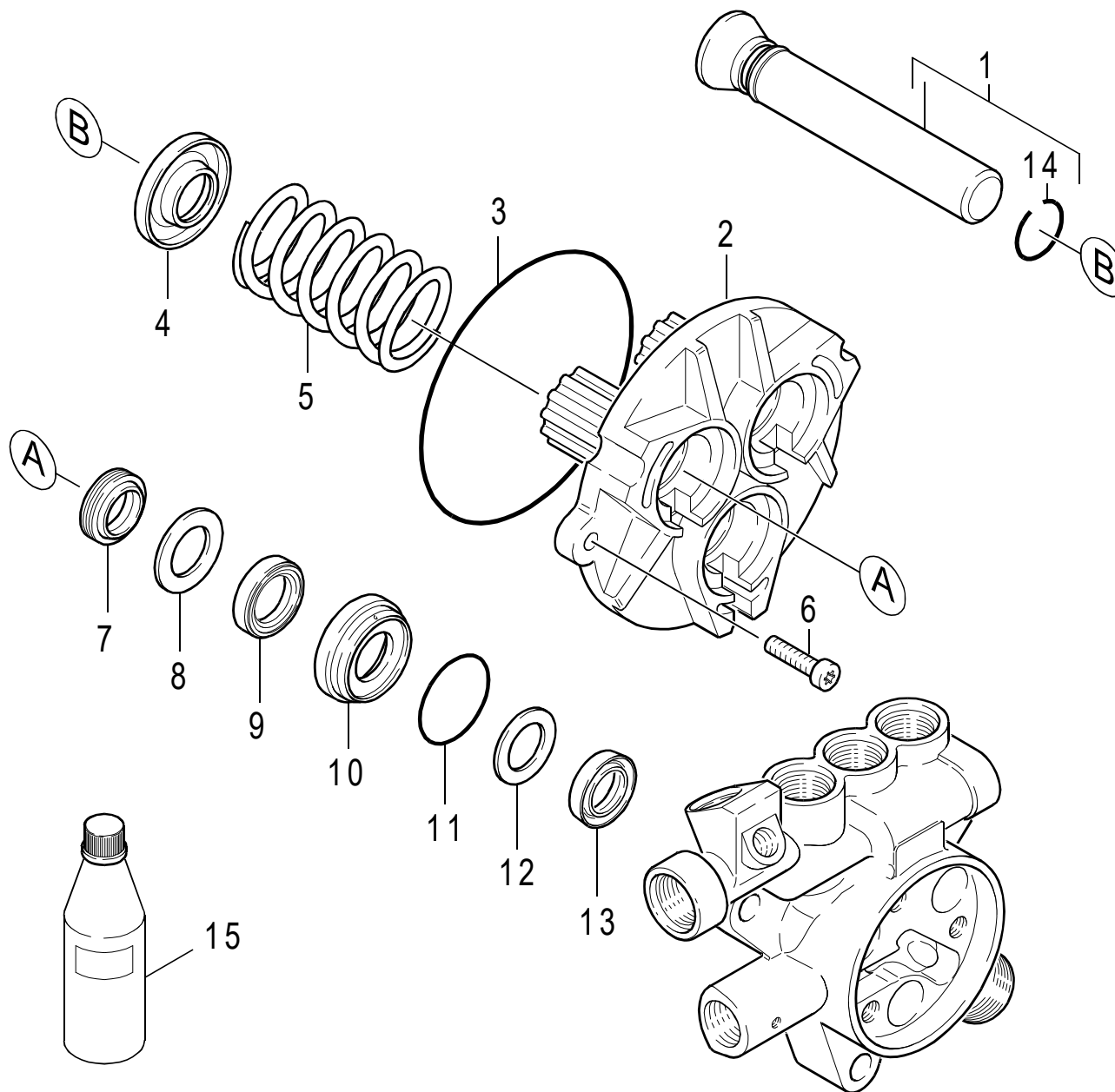
POS.	BENNENUNG	TEILE-NR.	STCK
ITM.	DESCRIPTION	PART-NO.	QTY.
POS.	DESIGNATION	NO.PIECE	NBR.
1	VENTILSCHRAUBE / VALVE SCREW / VIS POINTEAU (SOUP.)	5.583-115.0	2
2	O-RING 17,3 X 2,4 / GASKET / BAQUE D'ETANCHEITE	6.362-160.0	3
3	VENTIL KPL. / VALVE / SOUPAPE	4.580-329.0	6
4	O-RING 13,0 X 2,0 / GASKET / BAQUE D'ETANCHEITE	6.362-381.0	6
5	VENTIL / VALVE / SOUPAPE	4.580-114.0	1
6	O-RING 15,0 X 2,0 / GASKET / BAQUE D'ETANCHEITE	6.362-427.0	1
7	O-RING 60,0 X 2,0 / GASKET / BAQUE D'ETANCHEITE	6.362-204.0	1
8	DECKEL / COVER / COUVERCLE	5.063-354.0	1
9	ZYL.SCHR. M 8X 20 / CHEESE HEAD SCREW / VIS A TETE CYLINDR.	6.304-038.0	3
10	O-RING 9,0 X 1,5 / GASKET / BAQUE D'ETANCHEITE	6.362-384.0	3
11	VENTILSCHRAUBE / VALVE SCREW / VIS POINTEAU (SOUP.)	5.583-128.0	1
12	HD-SCHLAUCH / HIGH PRESSURE HOSE / TUYAU FLEXIBLE HAUTE PRE.	6.389-811.0	1
15	MANOMETER 0-300 BAR / PRESSURE GAUGE / MANOMETRE	6.421-214.0	1
100	PUMPENSET / PUMP SET / GROUPE DE POMPES	2.883-172.0	1

"=> xxxxxx" = bis Werknummer / up to serial No. / jusqu' au No. de fabr. / "xxxxxx =>" = ab Werknummer / from serial No. / a partir du No. de fabr. /

GRUPPE: 2.4 KOLBEN / VERSION2 /
GROUP: 2.4 PISTON / VERSION2 /
GRUPPE: 2.4 PISTON / VERSION2 /

H2

HDS 797 CI



Symbolbeschreibung siehe M16 / symbol description see M16 / désignation de système voir M16 /

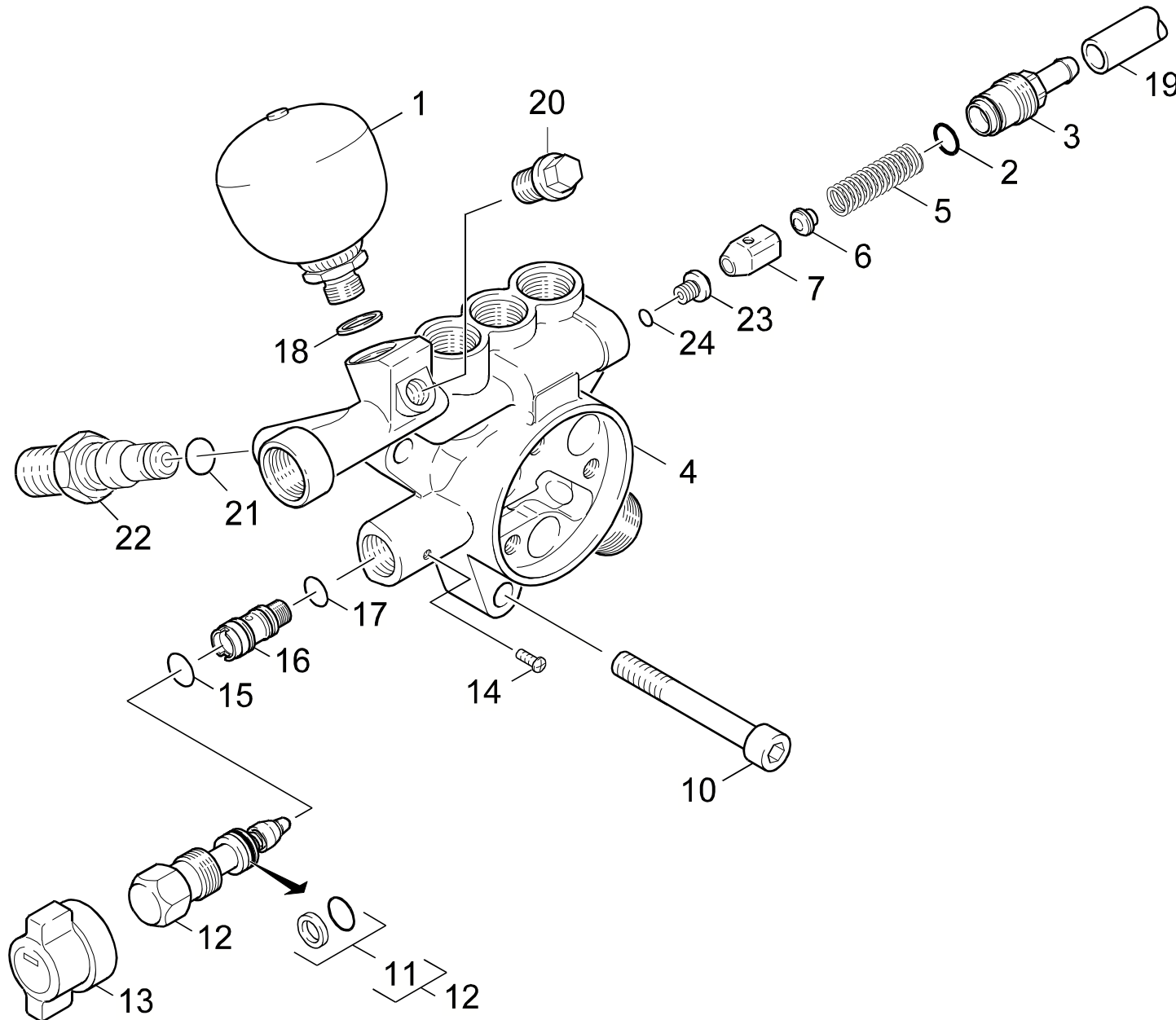
GRUPPE: 2.4 KOLBEN / VERSION2 /
GROUP: 2.4 PISTON / VERSION2 /
GROUPE: 2.4 PISTON / VERSION2 /

I2

HDS 797 CI

POS. ITM. POS.	BENNENUN G DESCRIPTION DESIGNATION	TEILE-NR. PART-NO. NO.PIECE	STCK QTY. NBR.
1	KOLBEN KPL. / PISTON / PISTON	4.553-124.0	3
2	GEHAEUSE / HOUSING / BOITIER	5.060-326.0	1
3	O-RING 101,27X 2,62 / GASKET / BAQUE D'ETANCHEITE	6.362-613.0	1
4	FORMTEIL / MOULDED PART / PREFORME	5.030-602.0	3
5	SCHRAUBENFEDER / HELICAL SPRING / RESSORT CYLINDRIQUE	5.332-139.0	3
6	ZYL.SCHR. M 6X 25 / CHEESE HEAD SCREW / VIS A TETE CYLINDR.	7.306-023.0	2
7	NUTRING 18X26X6/8 / GROOVED RING / JOINT A LEVRES	6.365-334.0	3
8	SCHEIBE / WASHER / RONDELLE	5.115-432.0	3
9	KOMPAKTDI. .18X28X6 / SEAL / JOINT	6.365-332.0	3
10	BUCHSE / BUSH / DOUILLE	5.112-340.0	3
11	O-RING 33,05X 1,78 / GASKET / BAQUE D'ETANCHEITE	6.362-406.0	3
12	SCHEIBE / WASHER / RONDELLE	5.115-431.0	3
13	NUTRING 18X26X5,4 / GROOVED RING / JOINT A LEVRES	6.365-333.0	3
14	SPRENGRING A 18 / RETAINER / CIRCLIP	7.343-473.0	1
15	GETRIEBEOEL 1L / GEAR LUBRICANT OIL / HUILE A ENGRENAGES	6.288-016.0	1
100	PUMPENSET / PUMP SET / GROUPE DE POMPES	2.883-855.0	1

"=> xxxxxx" = bis Werknummer / up to serial No. / jusqu' au No. de fabr. / "xxxxxx =>" = ab Werknummer / from serial No. / a partir du No. de fabr. /



Symbolbeschreibung siehe M16 / symbol description see M16 / désignation de système voir M16 /

GRUPPE: 2.5 ZYLINDERKOPF / VERSION2 /
 GROUP: 2.5 CYLINDER HEAD / VERSION2 /
 GROUPE: 2.5 CULASSE / VERSION2 /

K2

HDS 797 CI

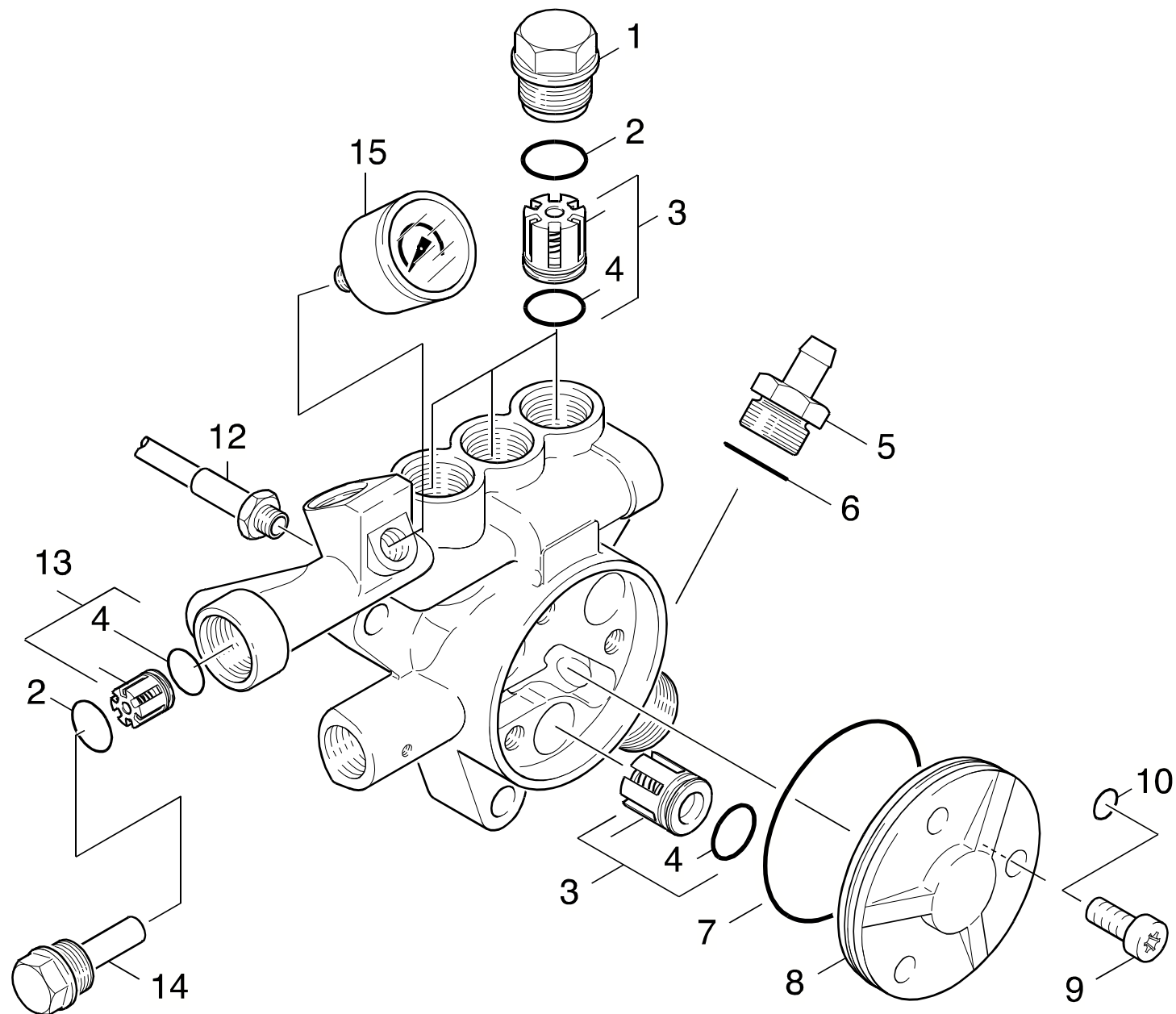
POS. ITM. POS.	BENNENUNG DESCRIPTION DESIGNATION	TEILE-NR. PART-NO. NO.PIECE	STCK QTY. NBR.
1	DRUCKSPEICHER / PULSATION DAMPER / ANTI-BELIER	6.505-025.0	1
2	O-RING 12,0 X 2,0 / GASKET / BAQUE D'ETANCHEITE	6.362-169.0	1
3	VENTILSCHRAUBE / VALVE SCREW / VIS POINTEAU (SOUP.)	5.583-130.0	1
4	ZYLINDERKOPF KPL. / CYLINDER HEAD / CULASSE	4.550-366.0	1
5	SCHRAUBENFEDER / HELICAL SPRING / RESSORT CYLINDRIQUE	5.332-140.0	1
6	VENTILBOLZEN / VALVE PIN / BOULON DE SOUPE	5.584-060.0	1
7	VENTILTeller KPL. / VALVE DISC / TETE DE SOUPE	4.582-019.0	1
10	ZYL.SCHR. M10X 70 / CHEESE HEAD SCREW / VIS A TETE CYLINDR.	7.306-125.0	3
11	O-RING 12,42 KOMPL / GASKET / BAQUE D'ETANCHEITE	6.362-575.0	1
12	SPINDEL / SPINDLE / PIVOT	4.291-009.0	1
13	GRIFF / HANDLE / POIGNEE	5.321-263.0	1
14	LINSENSCHR. M 4X 6 / OVAL HEAD SCREW / VIS A TETE BOMBEE	7.306-323.0	1
15	O-RING 11,0 X 1,3 / GASKET / BAQUE D'ETANCHEITE	6.362-402.0	1
16	HUELSE / SLEEVE / DOUILLE	5.110-384.0	1
17	O-RING 10 X 1,5 / GASKET / BAQUE D'ETANCHEITE	6.362-482.0	1
18	DICHTRING 14 X18 / JOINT RING / BAGUE D'ETANCHEITE	7.362-005.0	1
19	SCHLAUCH DN15 / HOSE / TUYAU FLEXIBLE	6.388-167.0	1
	ALS METERWARE BESTELLEN/TO ORDER AS CUT GOODS/COMMANDE COMME MARCHANDISE AU METRE		
20	VS-SCHRAUBE R 1/8" / CLOSING SCREW / VIS DE FERMETURE	7.382-274.0	1
21	O-RING 10,0 X 2,0 / GASKET / BAQUE D'ETANCHEITE	6.362-151.0	1
22	DOPPELNIPPEL / DOUBLE NIPPLE / NIPPLE DOUBLE	5.409-272.0	1
23	VENTILSITZ / VALVE SEAT / SIEGE DE SOUPE	5.581-231.0	1
24	O-RING 6,0 X 1,5 / GASKET / BAQUE D'ETANCHEITE	6.362-703.0	1
100	PUMPENSET / PUMP SET / GROUPE DE POMPES	2.883-855.0	1

"=> xxxxxx" = bis Werknummer / up to serial No. / jusqu' au No. de fabr. / "xxxxxx =>" = ab Werknummer / from serial No. / a partir du No. de fabr. /

GRUPPE: 2.6 VENTILE / VERSION2 /
GROUP: 2.6 VALVES / VERSION2 /
GRUPPE: 2.6 SOUPAPES / VERSION2 /

L2

HDS 797 CI



Symbolbeschreibung siehe M16 / symbol description see M16 / désignation de système voir M16 /

GRUPPE: 2.6 VENTILE / VERSION2 /
GROUP: 2.6 VALVES / VERSION2 /
GROUPE: 2.6 SOUPAPES / VERSION2 /

M2

HDS 797 CI

POS.	BENNENUNG	TEILE-NR.	STCK
ITM.	DESCRIPTION	PART-NO.	QTY.
POS.	DESIGNATION	NO.PIECE	NBR.
1	VENTILSCHRAUBE / VALVE SCREW / VIS POINTEAU (SOUP.)	5.583-115.0	3
2	O-RING 17,3 X 2,4 / GASKET / BAQUE D'ETANCHEITE	6.362-160.0	3
3	VENTIL KPL. / VALVE / SOUPAPE	4.580-329.0	6
4	O-RING 13,0 X 2,0 / GASKET / BAQUE D'ETANCHEITE	6.362-381.0	6
5	VENTIL / VALVE / SOUPAPE	4.580-114.0	1
6	O-RING 15,0 X 2,0 / GASKET / BAQUE D'ETANCHEITE	6.362-427.0	1
7	O-RING 60,0 X 2,0 / GASKET / BAQUE D'ETANCHEITE	6.362-204.0	1
8	DECKEL / COVER / COUVERCLE	5.063-354.0	1
9	ZYL.SCHR. M 8X 20 / CHEESE HEAD SCREW / VIS A TETE CYLINDR.	6.304-038.0	3
10	O-RING 9,0 X 1,5 / GASKET / BAQUE D'ETANCHEITE	6.362-384.0	3
11	VENTILSCHRAUBE / VALVE SCREW / VIS POINTEAU (SOUP.)	5.583-128.0	1
12	HD-SCHLAUCH / HIGH PRESSURE HOSE / TUYAU FLEXIBLE HAUTE PRE.	6.389-811.0	1
13	VENTIL KPL. / VALVE / SOUPAPE	4.580-262.0	1
14	VENTILSCHRAUBE / VALVE SCREW / VIS POINTEAU (SOUP.)	5.583-154.0	1
15	MANOMETER 0-300 BAR / PRESSURE GAUGE / MANOMETRE	6.421-214.0	1
100	PUMPENSET / PUMP SET / GROUPE DE POMPES	2.883-855.0	1

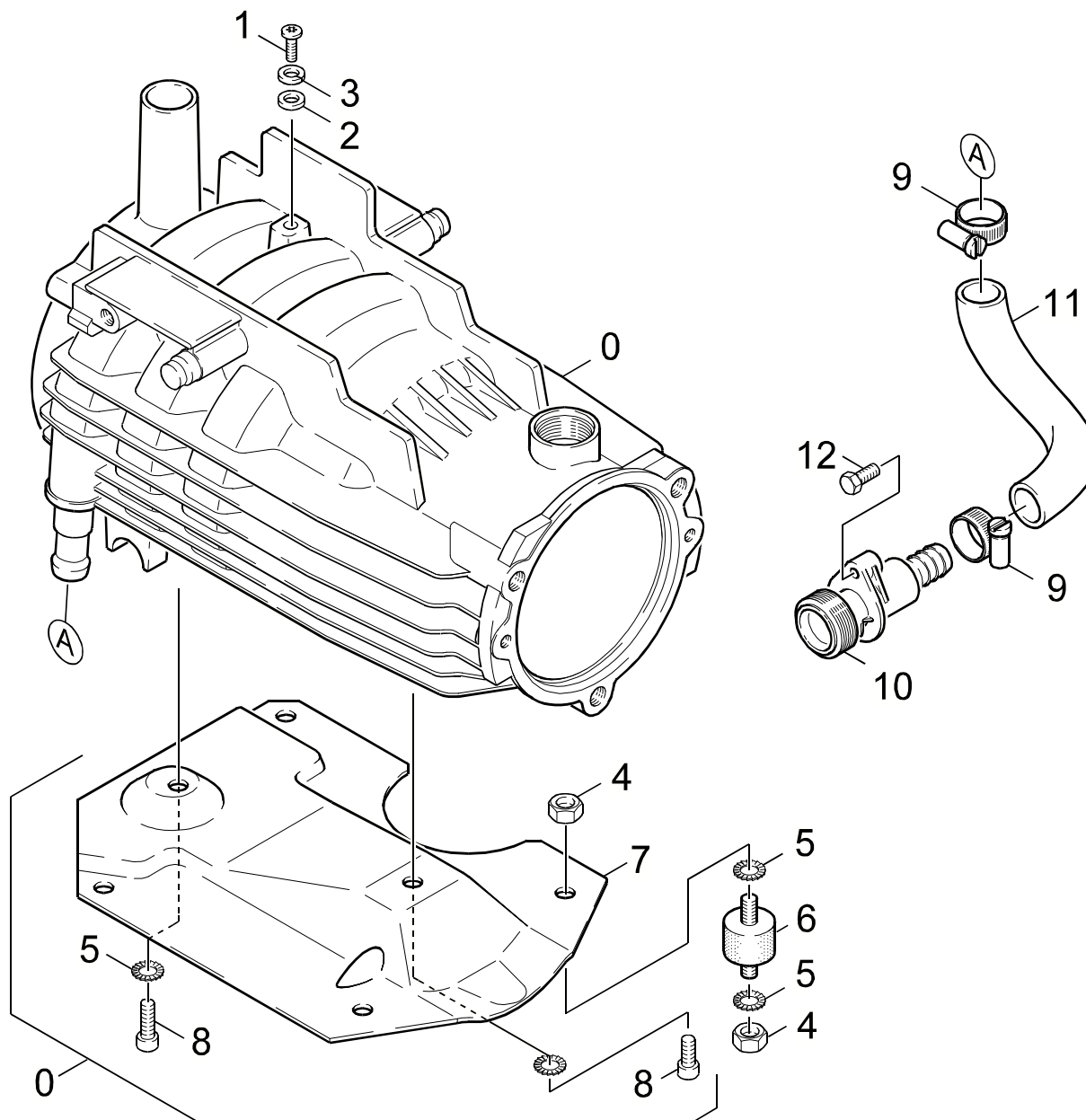
"=> xxxxxx" = bis Werknummer / up to serial No. / jusqu' au No. de fabr. / "xxxxxx =>" = ab Werknummer / from serial No. / a partir du No. de fabr. /

GRUPPE: 3.0 MOTOR
GROUP: 3.0 MOTOR
GRUPPE: 3.0 MOTEUR

A3

HDS 797 CI

GRUPPE: 3.0 MOTOR
GROUP: 3.0 MOTOR
GRUPPE: 3.0 MOTEUR



Symbolbeschreibung siehe M16 / symbol description see M16 / désignation de système voir M16 /

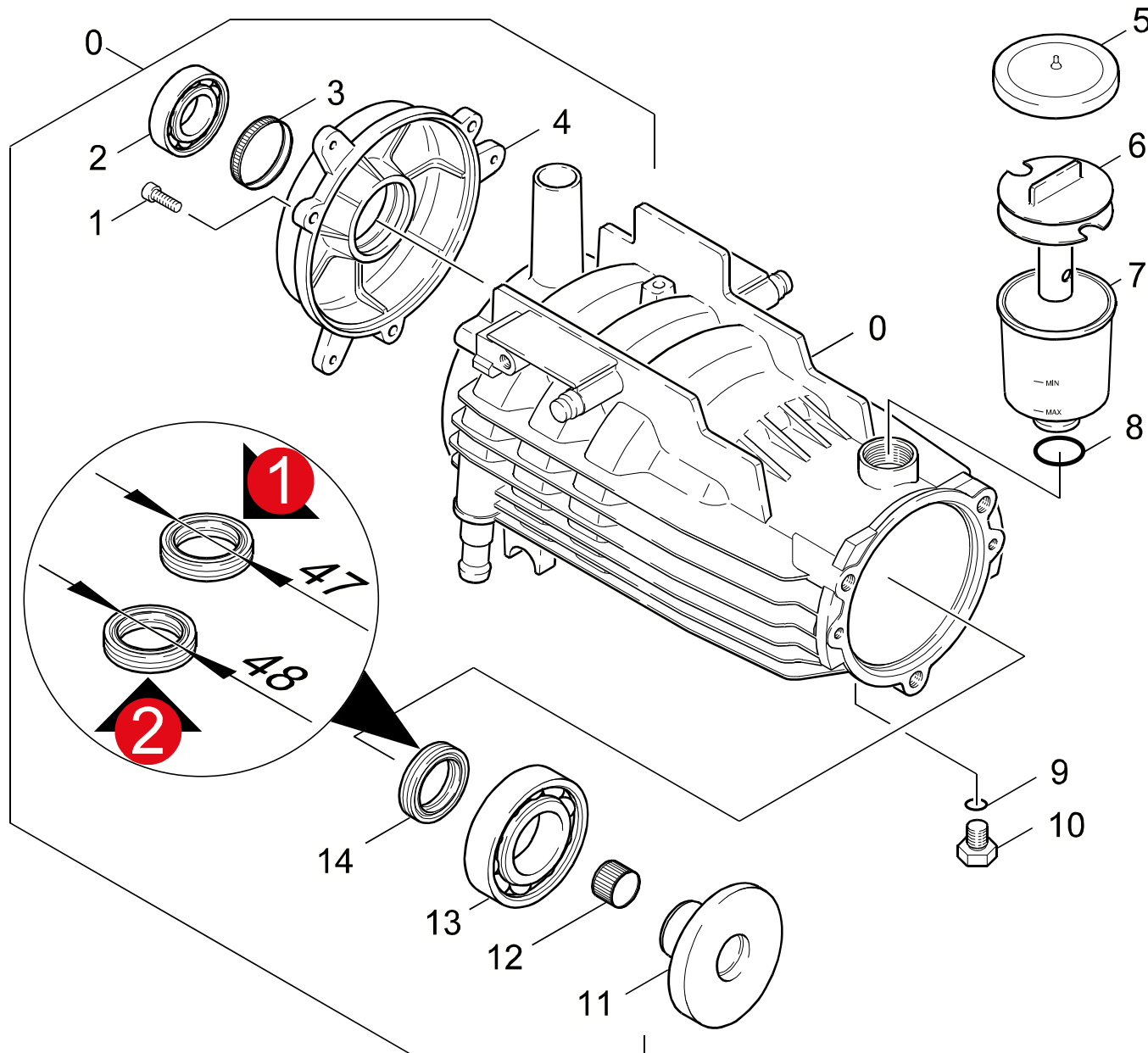
GRUPPE: 3.1 MOTOR-EINZELTEILE
GROUP: 3.1 MOTOR-PIECE PARTS
GROUPE: 3.1 MOTEUR-PIECES CONSTIT.

C3

HDS 797 CI

POS. ITM. POS.	BENNENNUNG DESCRIPTION DESIGNATION	TEILE-NR. PART-NO. NO.PIECE	STCK QTY. NBR.
0	MOTOR KPL. / MOTOR / MOTEUR	4.623-344.0	1
1	SCHRAUBE M 5X 12 / SCREW / VIS	7.303-038.0	1
2	SCHEIBE 5 / WASHER / RONDELLE	7.312-002.0	1
3	FEDERRING B 5 / SPRING WASHER / RONDELLE GROWER	7.313-002.0	1
4	6KT-MUTTER M 8 / HEXAGON NUT / ECROU HEXAGONAL	7.311-004.0	8
5	ZAHNSCHEIBE A 8,4 / LOCK WASHER / ROUE PLATE	7.312-166.0	9
6	GUMMIPUFFER / RUBBER BUFFER / BUTOIR CAOUTCHOUC	6.339-095.0	4
7	GRUNDPLATTE / BASE PLATE / PLAQUE DE BASE	5.051-040.0	1
8	ZYL.SCHR. M 8X 16 / CHEESE HEAD SCREW / VIS A TETE CYLINDR.	6.303-123.0	2
9	SCHLAUCHSCHELLE / HOSE BAND CLIP / COLLIER DE SERRAGE	6.388-547.0	2
10	KNOTENSTUECK / MANIFOLD / FERRURE NODALE	5.427-178.0	1
11	SCHLAUCH DN16 / HOSE / TUYAU FLEXIBLE	6.388-719.0	1
	ALS METERWARE BESTELLEN/TO ORDER AS CUT GOODS/COMMANDE COMME MARCHANDISE AU METRE		
12	SCHRAUBE 6,0X20 / SCREW / VIS	6.303-174.0	1

"=> xxxxxx" = bis Werknummer / up to serial No. / jusqu' au No. de fabr. / "xxxxxx =>" = ab Werknummer / from serial No. / a partir du No. de fabr. /



Symbolbeschreibung siehe M16 / symbol description see M16 / désignation de système voir M16 /

GRUPPE: 3.2 ANTRIEB
GROUP: 3.2 ACTUATION
GROUPE: 3.2 ENTRAINEMENT

E3

HDS 797 CI

POS. ITM. POS.	BENNENNUNG DESCRIPTION DESIGNATION	TEILE-NR. PART-NO. NO.PIECE	STCK QTY. NBR.
0	MOTOR KPL. / MOTOR / MOTEUR	4.623-344.0	1
1	SCHRAUBE M 6X 20 / SCREW / VIS	7.303-048.0	3
2	KUGELLAGER 6204-2Z / BALL BEARING / ROULEMENT A BILLE	7.401-126.0	1
3	TOLERANZRING 47X8 / TOLERANCE RING / BAGUE	6.343-029.0	1
4	DECKEL / COVER / COUVERCLE	5.063-567.0	1
5	DECKEL / COVER / COUVERCLE	5.063-189.0	1
6	FORMTEIL / MOULDED PART / PREFORME	5.030-389.0	1
7	BEHAELTER / TANK / BAC	5.070-048.0	1
8	O-RING 22,3 X 2,4 / GASKET / BAQUE D'ETANCHEITE	6.362-168.0	1
9	O-RING 9,5 X 2,0 / GASKET / BAQUE D'ETANCHEITE	6.362-528.0	1
10	VERSCHLUSSCHRAUBE / CLOSING SCREW / VIS DE FERMETURE	5.411-102.0	1
11	TAUMELSCHIEBE / SWASH PLATE / DISQUE EN NUTATION	5.120-286.0	1
12	TOLERANZRING / TOLERANCE RING / BAGUE	6.343-024.0	1
13	KUGELLAGER 7307B-TN / BALL BEARING / ROULEMENT A BILLE	7.401-035.0	1
14	RWDR A28X48X8 / ROTARY SHAFT SEAL / JOINT (ARBRE)	7.367-007.0	1
	VERSION 2		
14	RWDR A28 X 47 X 7 / ROTARY SHAFT SEAL / JOINT (ARBRE)	7.367-017.0	1
	VERSION 1		

"=> xxxxxx" = bis Werknummer / up to serial No. / jusqu' au No. de fabr. / "xxxxxx =>" = ab Werknummer / from serial No. / a partir du No. de fabr. /

GRUPPE: 4.0 GEBLAESE
GROUP: 4.0 BLOWER
GRUPPE: 4.0 VENTILATEUR

A4

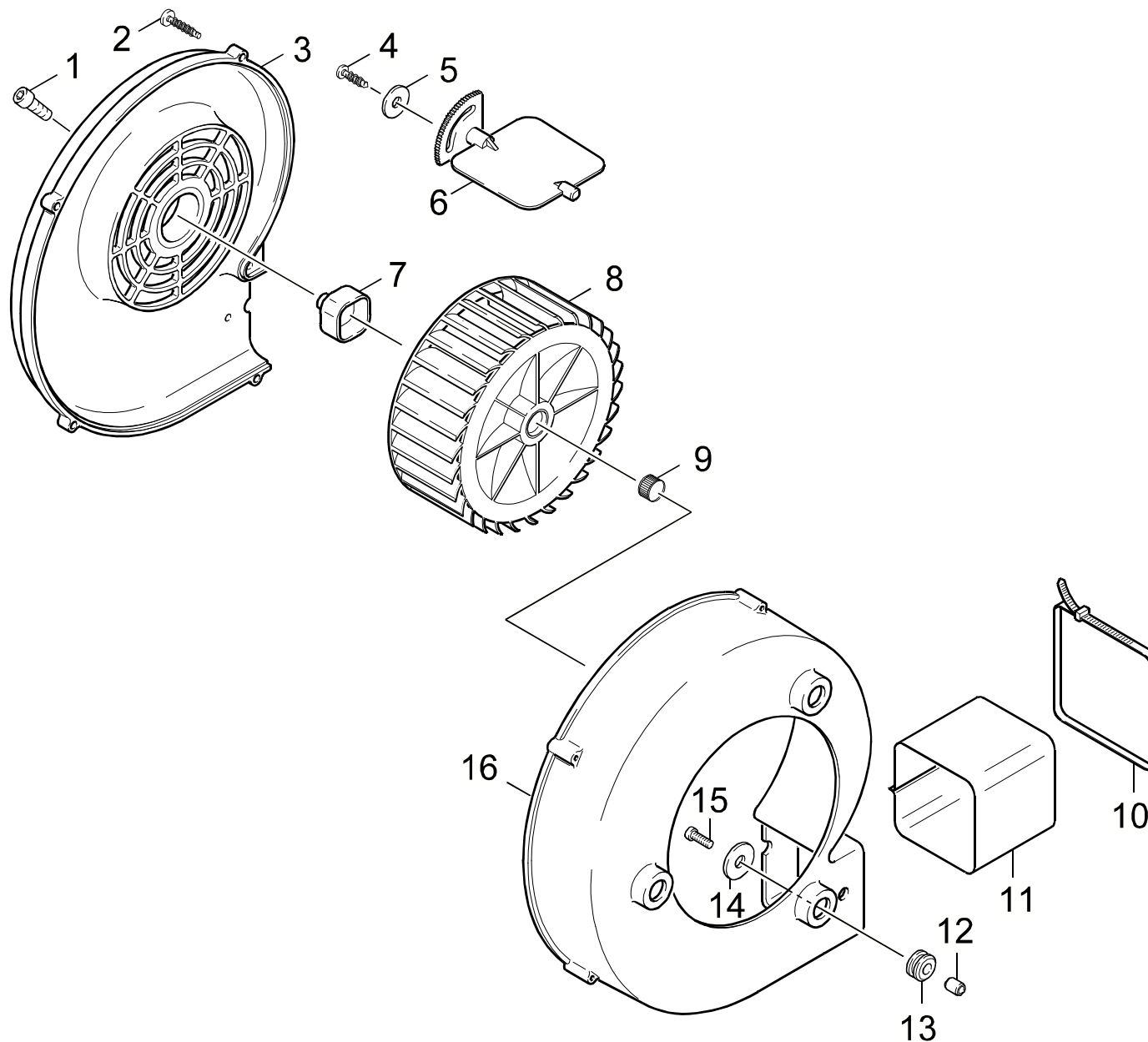
HDS 797 CI

GRUPPE: 4.0 GEBLAESE
GROUP: 4.0 BLOWER
GRUPPE: 4.0 VENTILATEUR

GRUPPE: 4.0 GEBLAESE
GROUP: 4.0 BLOWER
GRUPPE: 4.0 VENTILATEUR

B4

HDS 797 CI



Symbolbeschreibung siehe M16 / symbol description see M16 / désignation de système voir M16 /

GRUPPE: 4.0 GEBLAESE
GROUP: 4.0 BLOWER
GROUPE: 4.0 VENTILATEUR

C4

HDS 797 CI

POS. ITM. POS.	BENNENNUNG DESCRIPTION DESIGNATION	TEILE-NR. PART-NO. NO.PIECE	STCK QTY. NBR.
1	SCHRAUBE M 6X 16 / SCREW / VIS	7.306-090.0	1
2	LINSENSCHR. 4,0X25 / OVAL HEAD SCREW / VIS A TETE BOMBEE	6.303-089.0	5
3	DECKEL / COVER / COUVERCLE	5.063-274.0	1
4	BL.SCHR. ST4,8X16 / SHEET METAL SCREW / VIS A TOLE	7.303-077.0	1
5	SCHEIBE 5 / WASHER / RONDELLE	7.312-278.0	1
6	LUFTKLAPPE / AIR FLAP / VOLET D'ADMIS.D'AIR	5.606-002.0	1
7	KUPPLUNGSTEIL / COUPLING ELEMENT / PIECE D'ACCOUPL.	5.471-060.0	1
8	LAUFRAD / FAN WHEEL / ROUE DE VENTILATEUR	5.600-021.0	1
9	TOLERANZRING D14X8 / TOLERANCE RING / BAGUE	6.343-166.0	1
10	SPANNBAND / BANNER / BANDEROLE	6.388-608.0	2
11	TUCHMANSCHETTE / CLOTH COLLAR / MANCHETTE	5.178-020.0	1
12	HUELSE / SLEEVE / DOUILLE	5.110-306.0	3
13	GUMMIRING / RUBBER RING / RONDELLE CAOUTCHOUC	5.379-011.0	3
14	SCHEIBE 5 / WASHER / RONDELLE	7.312-264.0	3
15	SCHNEIDSCHR. M5X 20 / SELF-TAPPING SCREW / VIS AUTOTARAUEUSE	6.303-076.0	3
16	GEHAEUSE / HOUSING / BOITIER	5.605-143.0	1

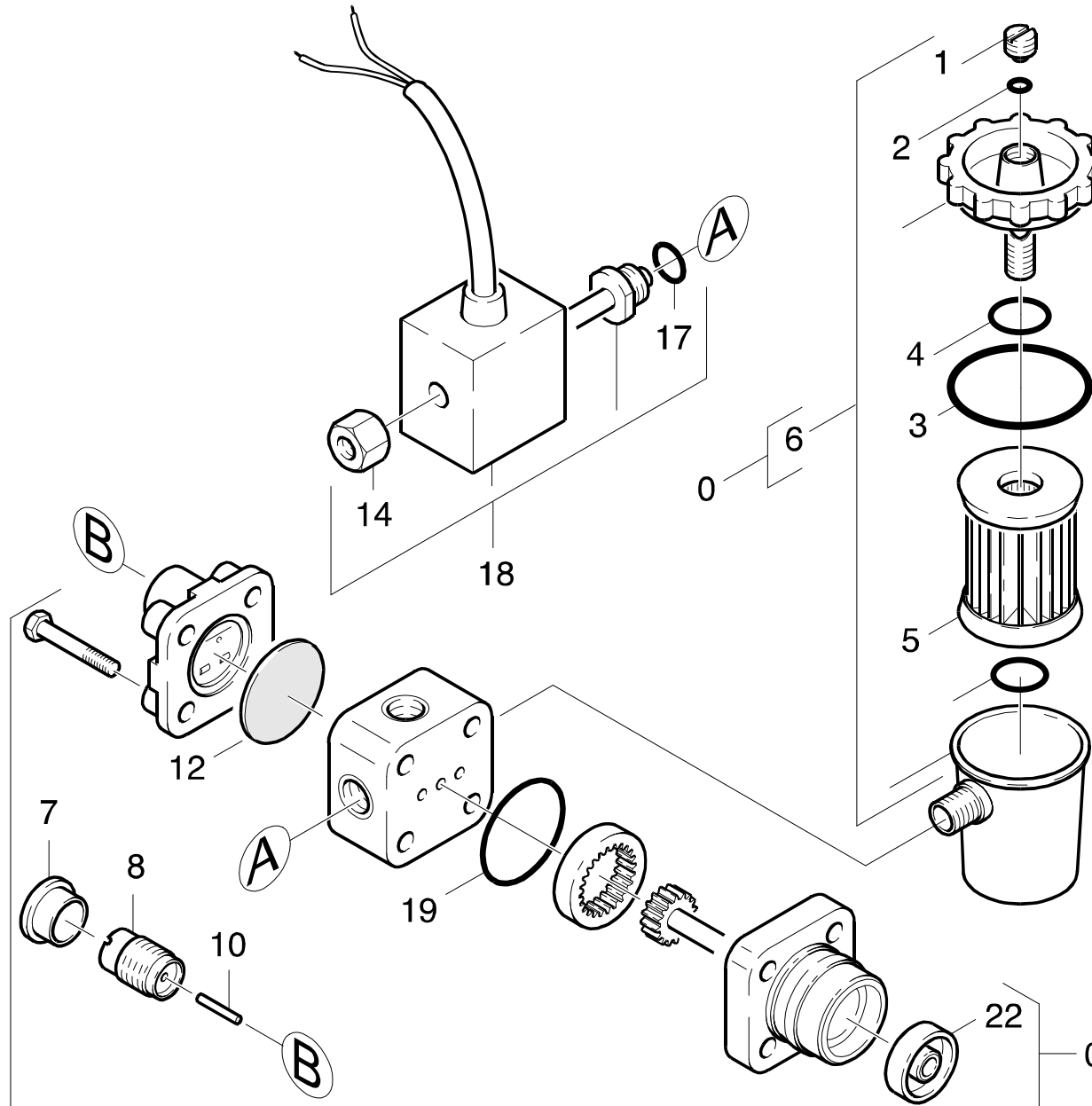
"=> xxxxxx" = bis Werknummer / up to serial No. / jusqu' au No. de fabr. / "xxxxxx =>" = ab Werknummer / from serial No. / a partir du No. de fabr. /

GRUPPE: 5.0 BRENNSTOFFPUMPE
GROUP: 5.0 FUEL PUMP
GRUPPE: 5.0 POMPE DE COMBUSTIBLE

A5

HDS 797 CI

GRUPPE: 5.0 BRENNSTOFFPUMPE
GROUP: 5.0 FUEL PUMP
GRUPPE: 5.0 POMPE DE COMBUSTIBLE



Symbolbeschreibung siehe M16 / symbol description see M16 / désignation de système voir M16 /

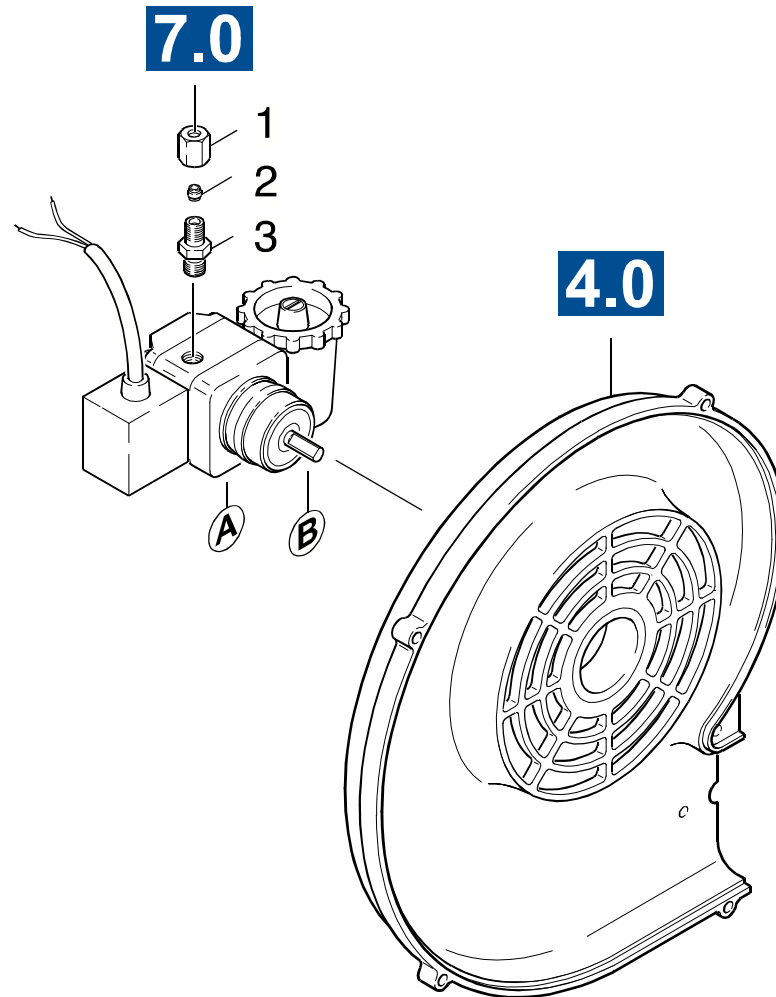
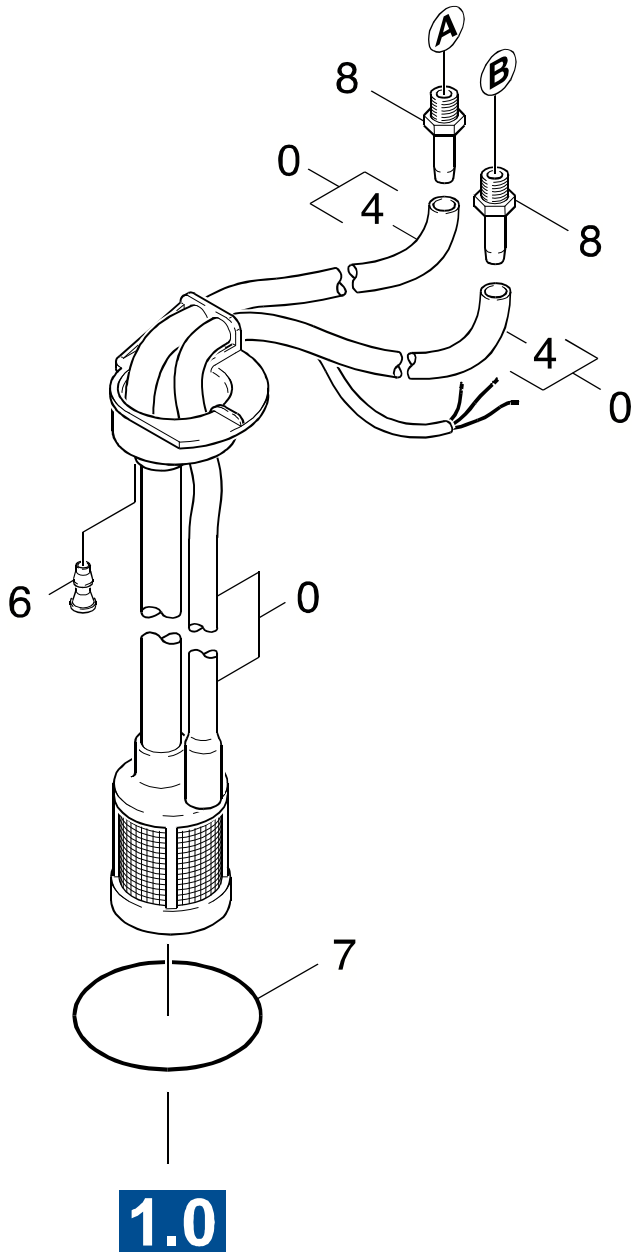
GRUPPE: 5.1 BRENNSTOFFPUMPE
GROUP: 5.1 FUEL PUMP
GROUPE: 5.1 POMPE DE COMBUSTIBLE

C5

HDS 797 CI

POS. ITM. POS.	BENNENUNG DESCRIPTION DESIGNATION	TEILE-NR. PART-NO. NO.PIECE	STCK QTY. NBR.
0	BRENNSTOFFPUMPE / FUEL PUMP / POMPE DE COMBUSTIBLE	6.472-925.0	1
1	ENTLUEFTUNGSSCHR. / VENT SCREW / VIS D'AIR	6.472-107.0	1
2	O-RING 5,0 X 1,8 / GASKET / BAQUE D'ETANCHEITE	6.472-106.0	1
3	O-RING 32,0 X 1,6 / GASKET / BAQUE D'ETANCHEITE	6.472-111.0	1
4	O-RING 10,0 X 2,4 / GASKET / BAQUE D'ETANCHEITE	6.472-112.0	1
5	FILTEREINSATZ / FILTER CARTRIDGE / CARTOUCHE FILTRANTE	6.472-113.0	1
6	FILTERGEHAEUSE KPL. / FILTER CASE / BATI DE FILTRE	6.472-123.0	1
7	SCHUTZKAPPE / PROTECTIVE CAP / CAPOT PROTECTION	6.472-122.0	1
8	FEDERGEHAEUSE / SPRING HOUSING / BARILLET	6.472-109.0	1
10	STIFT / PIN / CHEVILLE	6.472-108.0	1
12	MEMBRANE / DIAPHRAGM / MEMBRANE	6.472-128.0	1
14	RAENDELMUTTER / KNURLED NUT / ECROU MOLETE	6.472-340.0	1
17	O-RING 12,0 X 1,5 / GASKET / BAQUE D'ETANCHEITE	6.472-125.0	1
18	MAGNETVENTIL / SOLENOID VALVE / ELECTROVANNE	6.472-411.0	1
19	O-RING 28,5 X 1,6 / GASKET / BAQUE D'ETANCHEITE	6.472-120.0	1
22	ACHSENDICHTUNG / SHAFT SEAL / ETOUPAGE D'ESSIEU	6.472-105.0	1

"=> xxxxxx" = bis Werknummer / up to serial No. / jusqu' au No. de fabr. / "xxxxxx =>" = ab Werknummer / from serial No. / a partir du No. de fabr. /



Symbolbeschreibung siehe M16 / symbol description see M16 / désignation de système voir M16 /

GRUPPE: 5.2 BRENNSTOFFPUMPE
GROUP: 5.2 FUEL PUMP
GRUPPE: 5.2 POMPE DE COMBUSTIBLE

E5

HDS 797 CI

POS.	BENNENUNG	TEILE-NR.	STCK
ITM.	DESCRIPTION	PART-NO.	QTY.
POS.	DESIGNATION	NO.PIECE	NBR.
0	NIVEAUFUEHLER / LEVEL PROBE / DETECTEUR DE NIVEAU	4.747-067.0	1
1	UE-MUTTER A 4-LL / UNION NUT / ECROU RACOURD	6.389-262.0	1
2	SCHNEIDRING D.4 / CUTTING RING / BAGUE COUPANTE	6.389-263.0	1
3	SCHRAUBSTUTZEN / SCREW UNION / RACCORD FILETE	6.389-261.0	1
4	SCHLAUCH / HOSE / TUYAU FLEXIBLE	6.389-534.0	1
	ALS METERWARE BESTELLEN/TO ORDER AS CUT GOODS/COMMANDE COMME MARCHANDISE AU METRE		
6	HUELSE / SLEEVE / DOUILLE	5.110-532.0	1
7	DICHTRING / JOINT RING / BAGUE D'ETANCHEITE	5.363-306.0	1
8	SCHLAUCHNIPPEL / HOSE STEM / RACCORD DE FLEXIBLE	6.472-927.0	2

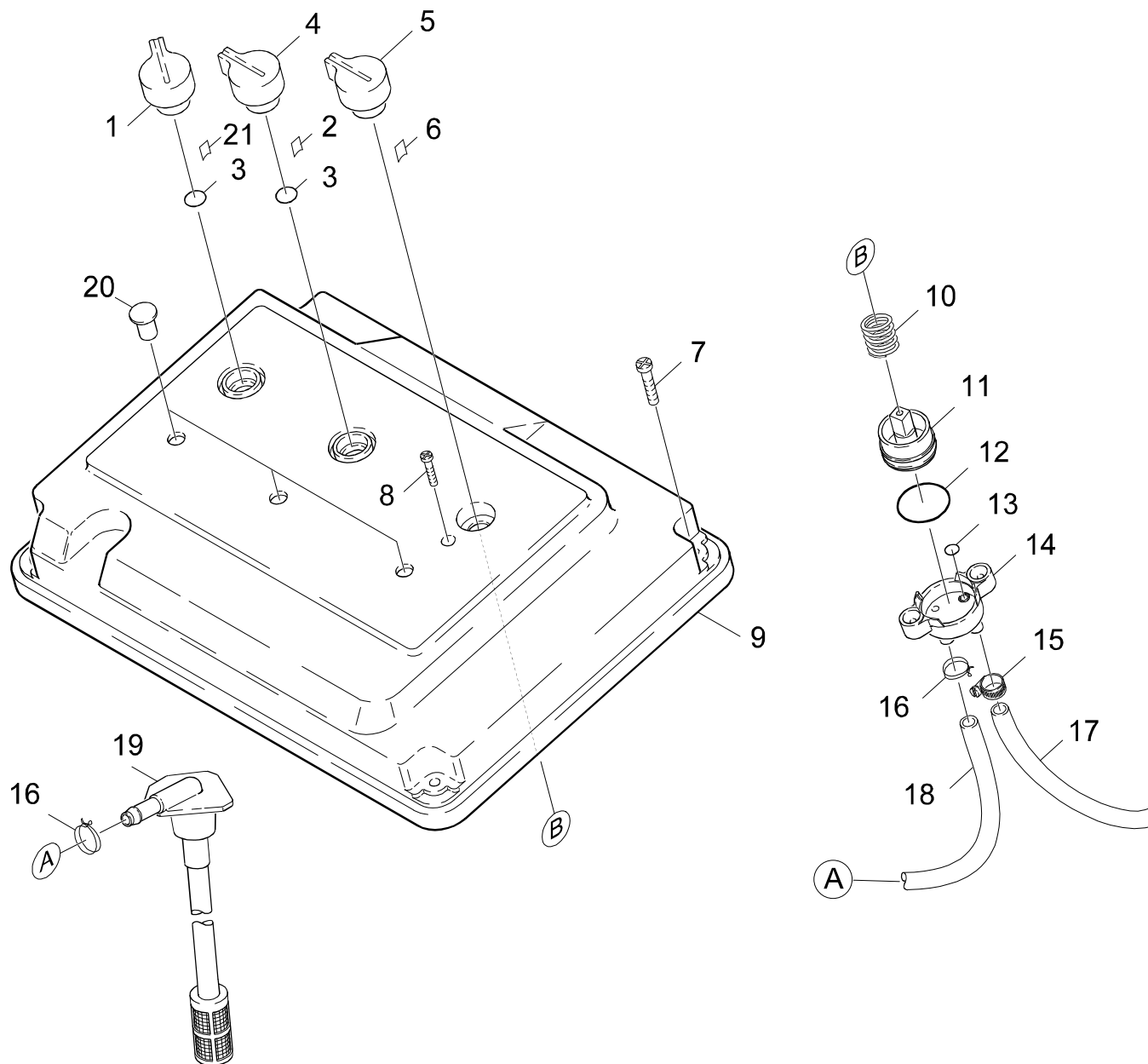
"=> xxxxxx" = bis Werknummer / up to serial No. / jusqu' au No. de fabr. / "xxxxxx =>" = ab Werknummer / from serial No. / a partir du No. de fabr. /

GRUPPE: 6.0 E-GERAETESCHRANK
GROUP: 6.0 ELECTRIC CONTROL BOX
GRUPPE: 6.0 COFFRET ELECTRIQUE

A6

HDS 797 CI

GRUPPE: 6.0 E-GERAETESCHRANK
GROUP: 6.0 ELECTRIC CONTROL BOX
GRUPPE: 6.0 COFFRET ELECTRIQUE



Symbolbeschreibung siehe M16 / symbol description see M16 / désignation de système voir M16 /

GRUPPE: 6.1 INSTRUMENTENTAFEL
 GROUP: 6.1 CONTROL PANEL
 GROUPE: 6.1 TABLEAU DE BORD

C6

HDS 797 CI

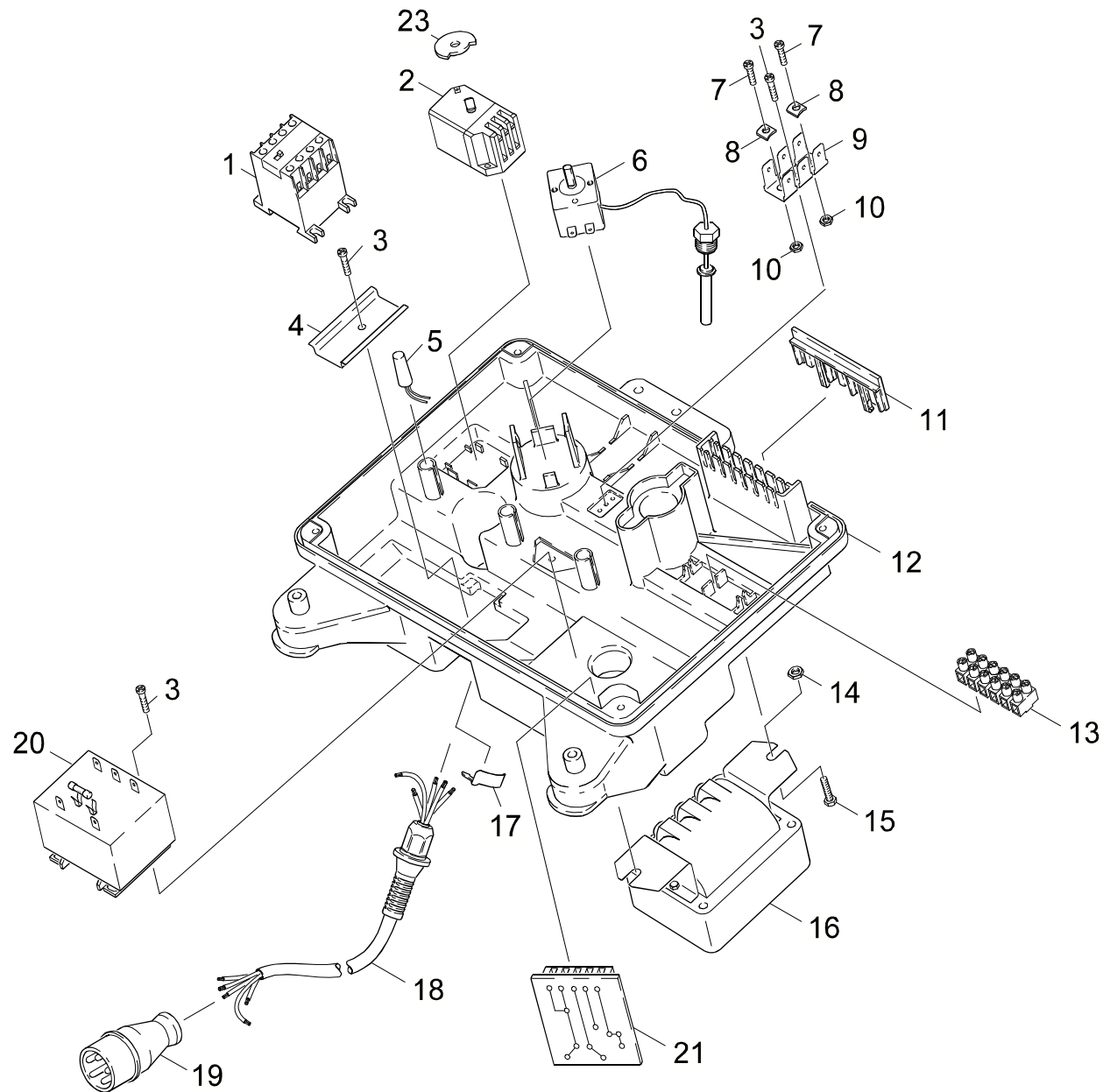
POS. ITM. POS.	BENNENUNG DESCRIPTION DESIGNATION	TEILE-NR. PART-NO. NO.PIECE	STCK QTY. NBR.
1	GRIFF / HANDLE / POIGNEE	5.321-555.0	1
2	KLEMMFEDER / SPRING / RESSORT DE FRICTION	6.313-014.0	1
3	O-RING 13,3 X 2,4 / GASKET / BAQUE D'ETANCHEITE	6.362-078.0	2
4	GRIFF / HANDLE / POIGNEE	5.321-449.0	1
5	GRIFF / HANDLE / POIGNEE	5.321-450.0	1
6	BLATTFEDER / PLATE SPRING / RESSORT A LAMES	5.337-021.0	1
7	SCHRAUBE 5X16 / SCREW / VIS	6.303-155.0	4
8	SCHNEIDSCHR. M4X 16 / SELF-TAPPING SCREW / VIS AUTOTARAUEUSE	7.303-509.0	1
9	INSTRUMENTENTAFEL / CONTROL PANEL / TABLEAU DE BORD / 1.873-512.0	5.841-324.0	1
9	INSTRUMENTENTAFEL / CONTROL PANEL / TABLEAU DE BORD / 1.873-501.0 / -502.0 / -503.0 / -504.0 / -508.0 / -509.0	5.841-341.0	1
10	SCHRAUBENFEDER / HELICAL SPRING / RESSORT CYLINDRIQUE	5.332-028.0	1
11	VENTILSITZ / VALVE SEAT / SIEGE DE SOUPE	5.581-178.0	1
12	O-RING 25,3 X 2,4 / GASKET / BAQUE D'ETANCHEITE	6.362-712.0	1
13	O-RING 5 X 1,5 / GASKET / BAQUE D'ETANCHEITE	6.362-386.0	1
14	VENTILGEHAEUSE / VALVE HOUSING / CORPS DE SOUPE	5.587-054.0	1
15	SCHLAUCHSCHELLE / HOSE BAND CLIP / COLLIER DE SERRAGE	6.388-515.0	1
16	SCHLAUCHSCHELLE / HOSE BAND CLIP / COLLIER DE SERRAGE	6.388-559.0	2
17	SCHLAUCH DN 7 / HOSE / TUYAU FLEXIBLE ALS METERWARE BESTELLEN/TO ORDER AS CUT GOODS/COMMANDE COMME MARCHANDISE AU METRE	6.388-194.0	1
18	SCHLAUCH DN 7 / HOSE / TUYAU FLEXIBLE ALS METERWARE BESTELLEN/TO ORDER AS CUT GOODS/COMMANDE COMME MARCHANDISE AU METRE	6.388-225.0	1
19	FILTER / FILTER / FILTRE	6.414-028.0	1
20	LINSENGEHAEUSE ROT / HOUSING / CARTER	6.651-316.0	3
21	SICHERUNGSFEDER / RETAINING SPRING / RESSORT D'ARRET	6.313-003.0	1

"=> xxxxxx" = bis Werknummer / up to serial No. / jusqu' au No. de fabr. / "xxxxxx =>" = ab Werknummer / from serial No. / a partir du No. de fabr. /

GRUPPE: 6.2 MONTAGEPLATTE
GROUP: 6.2 ASSEMBLY PLATE
GRUPPE: 6.2 PLAQUE DE MONTAGE

D6

HDS 797 CI



Symbolbeschreibung siehe M16 / symbol description see M16 / désignation de système voir M16 /

GRUPPE: 6.2 MONTAGEPLATTE
 GROUP: 6.2 ASSEMBLY PLATE
 GROUPE: 6.2 PLAQUE DE MONTAGE

E6

HDS 797 CI

POS. ITM. POS.	BENNENNUNG DESCRIPTION DESIGNATION	TEILE-NR. PART-NO. NO.PIECE	STCK QTY. NBR.	POS. ITM. POS.	BENNENNUNG DESCRIPTION DESIGNATION	TEILE-NR. PART-NO. NO.PIECE	STCK QTY. NBR.
1	LEISTUNGSSCHUETZ / CONTACTOR / CONTACTEUR / 1.873-501.0 / -503.0 / -504.0 / -508.0 / -509.0 / -512.0	6.632-311.0	1	22	FUNKENTSTOERFILTER / INTERFERENCE SUPPRESSOR / FILTRE ANTIPARASITE	6.661-091.0	1
1	SCHUETZ / CONTACTOR / CONTACTEUR / 1.873-502.0	6.632-356.0	1	23	ANSCHLAGSCHEIBE / STOP DISC / RONDELLE DE BUTEE	5.115-734.0	1
2	MOTORSCHUTZSCHALTER / MOTOR PROT. SWITCH / RELAIS (MOTEUR)	6.631-190.0	1				
3	SCHRAUBE 4,0X 12 / SCREW / VIS	6.303-170.0	3				
4	MONTAGETEIL / MOUNTING PART / PIECE MONTAGE	5.802-222.0	1				
5	SIGNALLEUCHTE / PILOT LAMP / LAMPE TEMOIN	6.651-275.0	3				
6	TEMPERATURREGLER / THERMOSTAT / THERMOSTAT	6.685-949.0	1				
7	SCHRAUBE M 4X 16 / SCREW / VIS	7.303-033.0	2				
8	KLEMMSCHEIBE 4 / CLAMPIUNG DISC / DISQUE DE SERRAGE	6.641-804.0	2				
9	FLACHSTECKER / PLUG / FICHE PLATE	6.641-270.0	1				
10	6KT-MUTTER M 4 / HEXAGON NUT / ECROU HEXAGONAL	7.311-001.0	2				
11	KLEMMTEIL / CLAMP / PLAQUE DE SERRAGE	5.030-954.0	1				
12	MONTAGEPLATTE / ASSEMBLY PLATE / PLAQUE DE MONTAGE	5.801-115.0	1				
13	KLEMMLEISTE / STRIP TERMINAL / BORNE PLATE	6.643-249.0	1				
14	6KT-MUTTER M 6 / HEXAGON NUT / ECROU HEXAGONAL	7.311-425.0	1				
15	6KT-SCHR. M 6X 25 / HEXAGONAL HEAD SCREW / VIS HEXAGONAL	7.304-386.0	1				
16	ZUENDTRAFO ET-SATZ / TRANSFORMER / TRANSFORMATEUR / 1.873-501.0 / -504.0	2.883-468.0	1				
16	ZUENDTRAFO 230 V / TRANSFORMER / TRANSFORMATEUR / 1.873-502.0	6.622-166.0	1				
17	SICHERUNGSClip / SECURING CLIP / CLIP	6.343-170.0	1				
18	KABEL MIT TUELLE / CABLE / CABLE	6.647-250.0	1				
19	CEE-STECKER 16A / CEE-PLUG / CEE-FICHE / 1.873-501.0	6.646-030.0	1				
20	STEUERTRAFO 40VA / TRANSFORMER / TRANSFORMATEUR VERSION 1	6.622-021.0	1				
20	STEUERTRAFO 400V / TRANSFORMER / TRANSFORMATEUR VERSION 2 / 1.873-501.0 / -503.0 / -504.0 / -508.0 / -509.0 / -512.0	6.622-241.0	1				
20	STEUERTRAFO 230 V / TRANSFORMER / TRANSFORMATEUR VERSION 2 / 1.873-502.0	6.622-242.0	1				
21	IMPULSGEBER / PULSE GENERATOR / CONTACTEUR	6.633-372.0	1				

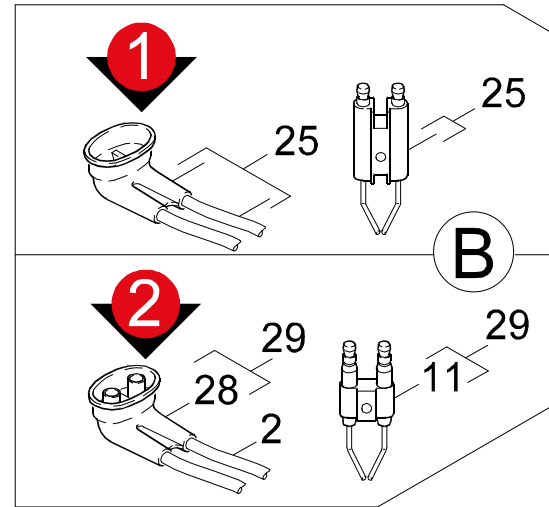
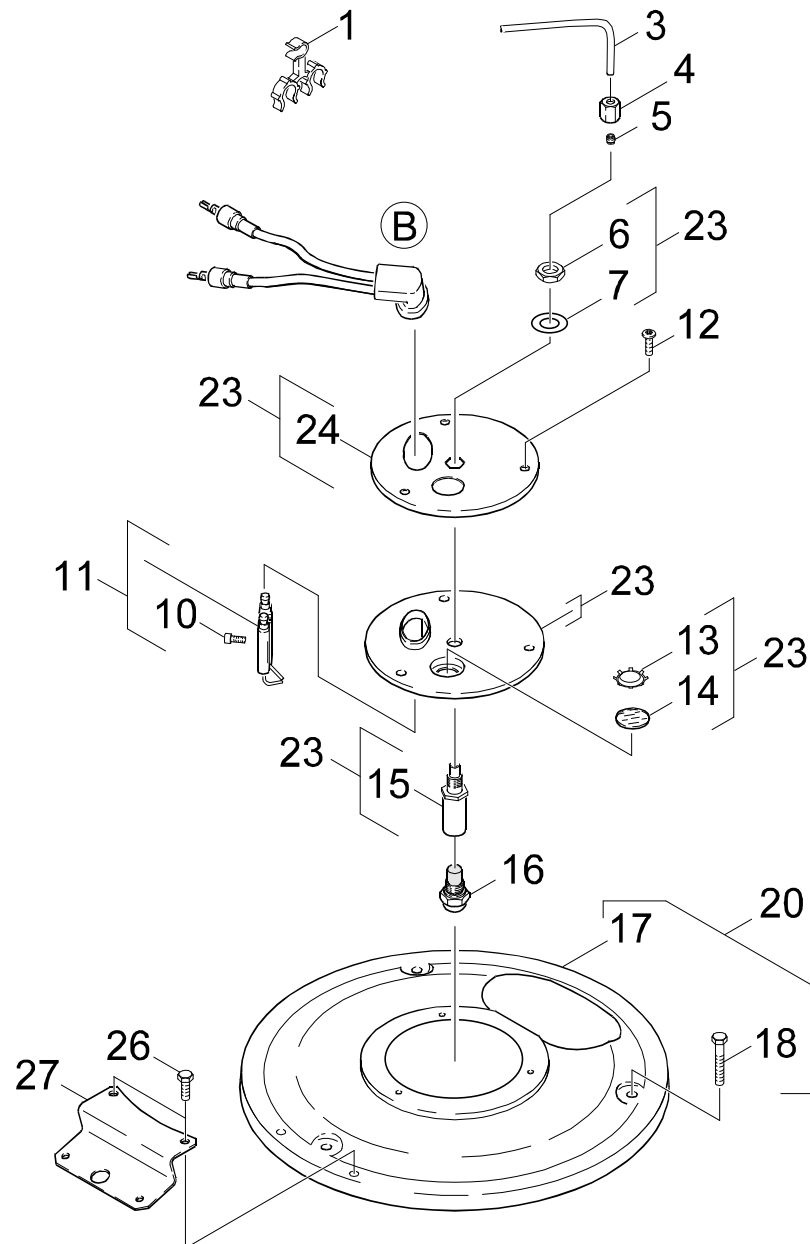
"=> xxxxxx" = bis Werknummer / up to serial No. / jusqu' au No. de fabr. / "xxxxxx =>" = ab Werknummer / from serial No. / a partir du No. de fabr. /

GRUPPE: 7.0 DURCHLAUFERHITZER
GROUP: 7.0 FLOW HEATER
GRUPPE: 7.0 CHAUFFE-EAU RAPIDE

A7

HDS 797 CI

GRUPPE: 7.0 DURCHLAUFERHITZER
GROUP: 7.0 FLOW HEATER
GRUPPE: 7.0 CHAUFFE-EAU RAPIDE



Symbolbeschreibung siehe M16 / symbol description see M16 / désignation de système voir M16 /

GRUPPE: 7.1 BRENNERDECKEL
GROUP: 7.1 BURNER COVER
GROUPE: 7.1 COUVERCLE BRULEUR

C7

HDS 797 CI

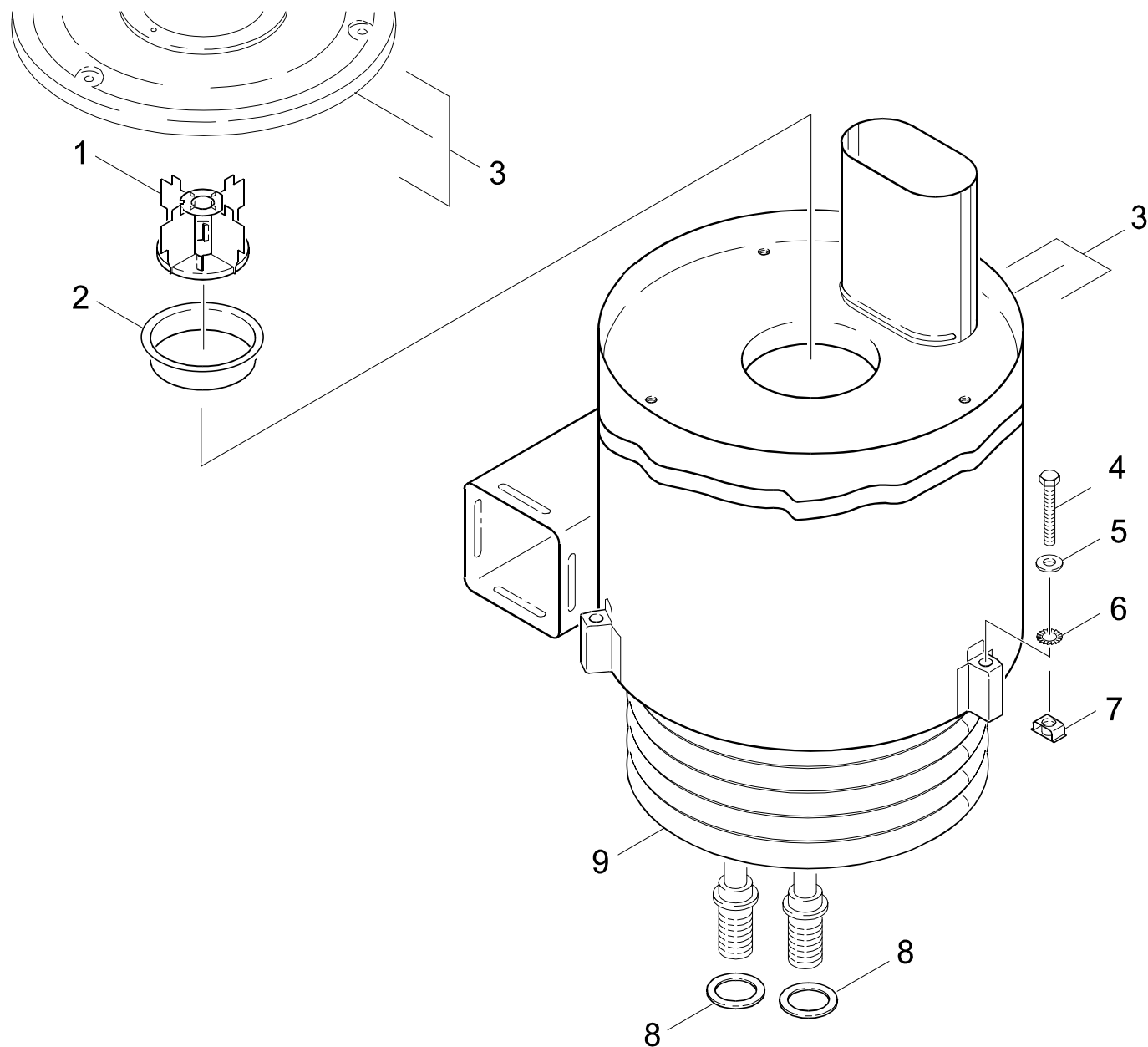
POS. ITM. POS.	BENNENUNG DESCRIPTION DESIGNATION	TEILE-NR. PART-NO. NO.PIECE	STCK QTY. NBR.
1	HALTER / BRACKET / FIXATION	6.647-527.0	1
2	ZUENDKABEL KPL. / IGNITION CABLE / FIL D'AMORCE	4.821-071.0	1
3	LEITUNGSROHR / PIPE / TUBE CONDUCTEUR	5.423-140.0	1
4	UE-MUTTER A 4-LL / UNION NUT / ECROU RACOURD	6.389-262.0	1
5	SCHNEIDRING D.4 / CUTTING RING / BAGUE COUPANTE	6.389-263.0	1
6	6KT-MUTTER M10X1 / HEXAGON NUT / ECROU HEXAGONAL	7.311-101.0	1
7	FEDERSCHEIBE B 10,0 / SPRING WASHER / RONDELLE ELAST.	7.312-302.0	1
10	LINSENSCHR. M 5X 14 / OVAL HEAD SCREW / VIS A TETE BOMBEE	7.306-328.0	1
11	ET-SET NEUTRAL / SPARE PARTS SET / JEU DE PIECES DECHANGE	2.884-085.0	1
12	SCHRAUBE M 5X 12 / SCREW / VIS	7.303-038.0	3
13	ZACKENRING / RING / ANNEAU	6.343-165.0	1
14	GLASSCHEIBE / GLASS PANE / VITRE	6.278-018.0	1
15	DUESENHALTER / NOZZLE HOLDER / PORTE - BUSE	5.667-055.0	1
16	DUESE 1,1GPH 60G ES / NOZZLE / BUSE	6.415-758.0	1
17	DECKEL D.K. / COVER / COUVERCLE	4.654-196.0	1
18	SCHNEIDSCHRAUBE / SELF-TAPPING SCREW / VIS AUTOTARAUEUSE	6.303-258.0	3
20	AUSSENMANTEL / OUTER JACKET / ENVELOPPE	4.652-112.0	1
23	DECKEL D.K. / COVER / COUVERCLE	4.654-218.0	1
24	DECKEL D.K. / COVER / COUVERCLE	5.654-059.0	1
25	UBS ZUENDKABEL / KIT / KIT DE MODIFIC.	2.638-976.0	1
26	SCHRAUBE M 6X 16 / SCREW / VIS	7.306-090.0	2
27	FORMTEIL / MOULDED PART / PREFORME	5.030-985.0	1
28	SCHUTZKAPPE / PROTECTIVE CAP / CAPOT PROTECTION	5.394-470.0	1
29	UBS ZUENDELEKTRODE / KIT / KIT DE MODIFIC.	2.638-974.0	1

"=> xxxxxx" = bis Werknummer / up to serial No. / jusqu' au No. de fabr. / "xxxxxx =>" = ab Werknummer / from serial No. / a partir du No. de fabr. /

GRUPPE: 7.2 HEIZSCHLANGE
GROUP: 7.2 HEATING COIL
GRUPPE: 7.2 SERPENTIN

D7

HDS 797 CI



Symbolbeschreibung siehe M16 / symbol description see M16 / désignation de système voir M16 /

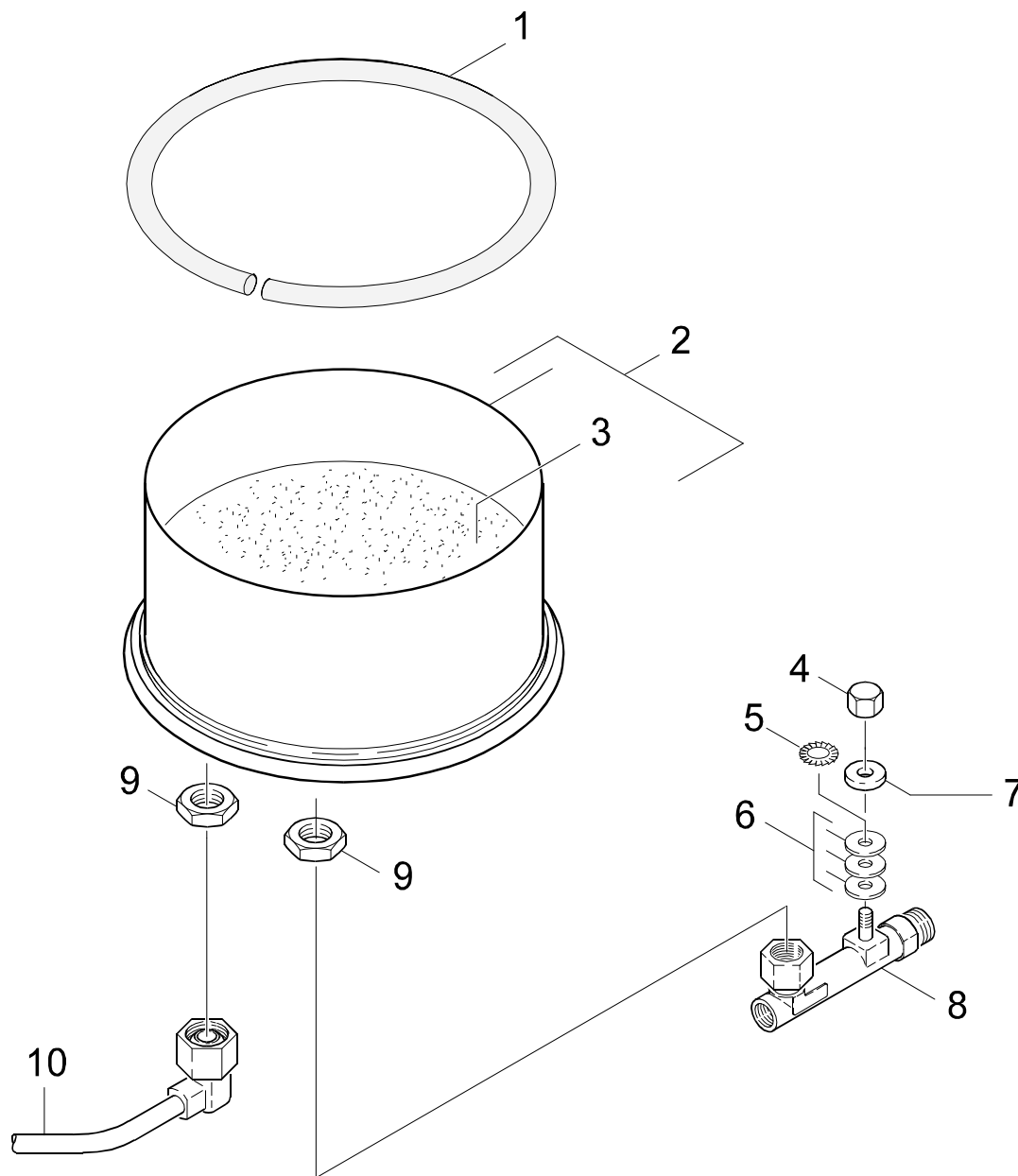
GRUPPE: 7.2 HEIZSCHLANGE
GROUP: 7.2 HEATING COIL
GRUPPE: 7.2 SERPENTIN

E7

HDS 797 CI

POS.	BENNENUNG	TEILE-NR.	STCK
ITM.	DESCRIPTION	PART-NO.	QTY.
POS.	DESIGNATION	NO.PIECE	NBR.
1	BRENNEREINSATZ / BURNER CAGE / BRULEUR CAGE	4.663-073.0	1
2	BRENNERTEIL / BURNER PART / PIECE DE BRULEUR	5.664-182.0	1
3	AUSSENMANTEL / OUTER JACKET / ENVELOPPE	4.652-112.0	1
4	6KT-SCHR. M 8X 60 / HEXAGONAL HEAD SCREW / VIS HEXAGONAL	7.304-096.0	3
5	SCHEIBE 8 / WASHER / RONDELLE	7.312-004.0	3
6	ZAHNSCHEIBE A 8,4 / LOCK WASHER / ROUE PLATE	7.312-166.0	3
7	KAFIGMUTTER M 8 / NUT / ECROU	6.310-081.0	3
8	PROFILDICHTUNG / SEAL / ETOUPE PROFILE	5.365-068.0	2
9	HEIZSCHLANGE / HEATING COIL / SERPENTIN	4.680-127.0	1

"=> xxxxxx" = bis Werknummer / up to serial No. / jusqu' au No. de fabr. / "xxxxxx =>" = ab Werknummer / from serial No. / a partir du No. de fabr. /



Symbolbeschreibung siehe M16 / symbol description see M16 / désignation de système voir M16 /

GRUPPE: 7.3 BRENNERBODEN
GROUP: 7.3 BURNER BOTTOM
GRUPPE: 7.3 FOND DE BRULEUR

G7

HDS 797 CI

POS.	BENNENNUNG	TEILE-NR.	STCK
ITM.	DESCRIPTION	PART-NO.	QTY.
POS.	DESIGNATION	NO.PIECE	NBR.
1	DICHTSCHNUR / SEAL STRING / CORDE DE BOURRAGE	6.366-009.0	1
2	BODEN D.K. / BOTTOM / FOND	4.655-044.0	1
3	STAMPFMASSE 8KG / REFRACTORY MATERIAL / PISE REFRACT. DAME	2.889-061.0	1
4	6KT-MUTTER M 8 / HEXAGON NUT / ECROU HEXAGONAL	7.311-004.0	1
5	ZAHNSCHEIBE A 13,0 / LOCK WASHER / ROUE PLATE	7.312-169.0	1
6	SCHEIBE 10 / WASHER / RONDELLE	7.312-005.0	3
7	SCHEIBE 8 / WASHER / RONDELLE	7.312-277.0	1
8	KNOTENSTUECK / MANIFOLD / FERRURE NODALE	4.427-182.0	1
9	6KT-MUTTER M22X1,5 / HEXAGON NUT / ECROU HEXAGONAL	7.311-155.0	2
10	ROHRLEITUNG / PIPELINES / CONDUITE	4.421-064.0	1

"=> xxxxxx" = bis Werknummer / up to serial No. / jusqu' au No. de fabr. / "xxxxxx =>" = ab Werknummer / from serial No. / a partir du No. de fabr. /

GRUPPE: 8.0 SCHWIMMERKASTEN
GROUP: 8.0 FLOAT CHEST
GRUPPE: 8.0 BOITE DU FLOTTEUR

A8

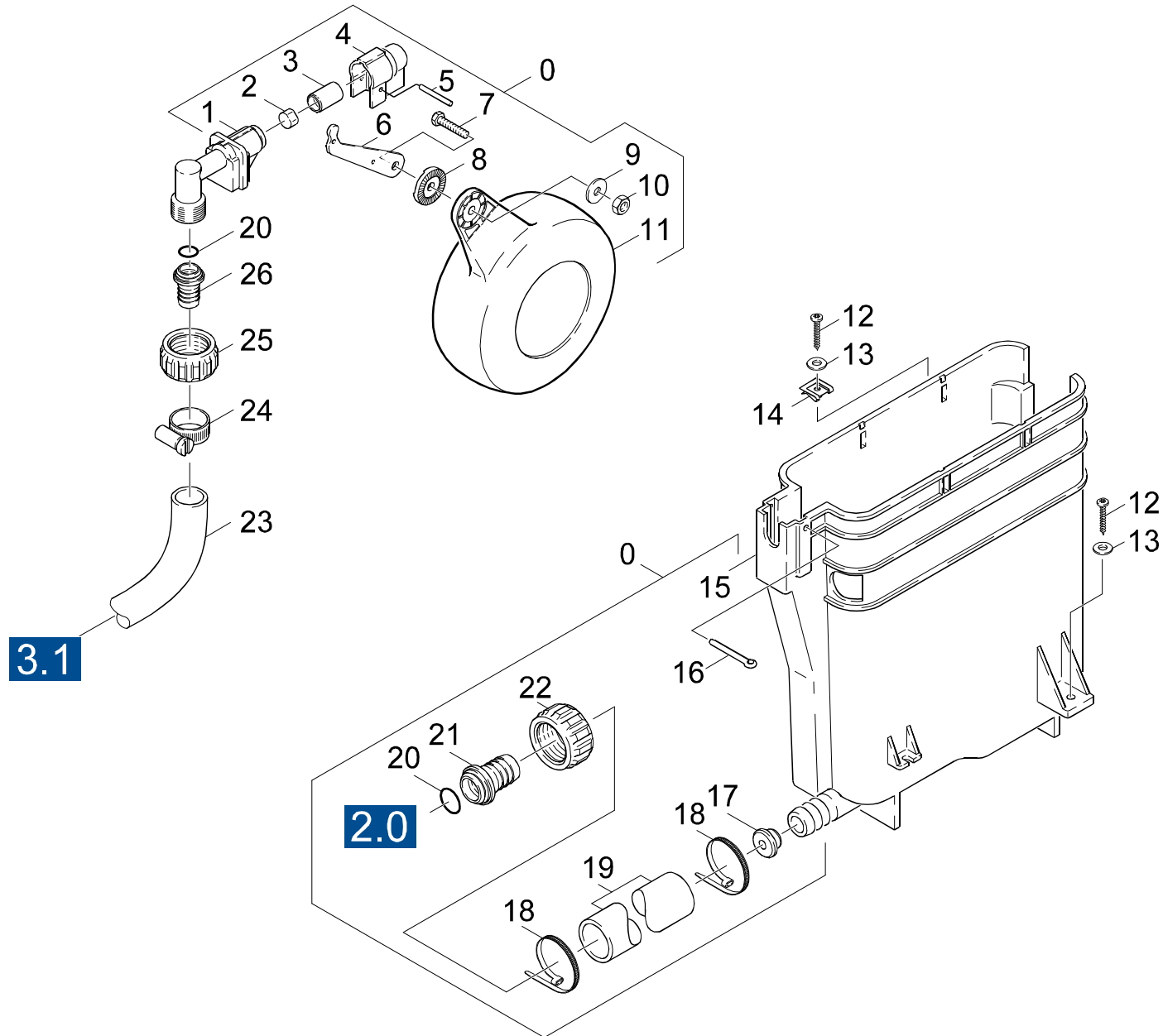
HDS 797 CI

GRUPPE: 8.0 SCHWIMMERKASTEN
GROUP: 8.0 FLOAT CHEST
GRUPPE: 8.0 BOITE DU FLOTTEUR

GRUPPE: 8.1 SCHWIMMERKASTEN
GROUP: 8.1 FLOAT CHEST
GRUPPE: 8.1 BOITE DU FLOTTEUR

B8

HDS 797 CI



Symbolbeschreibung siehe M16 / symbol description see M16 / désignation de système voir M16 /

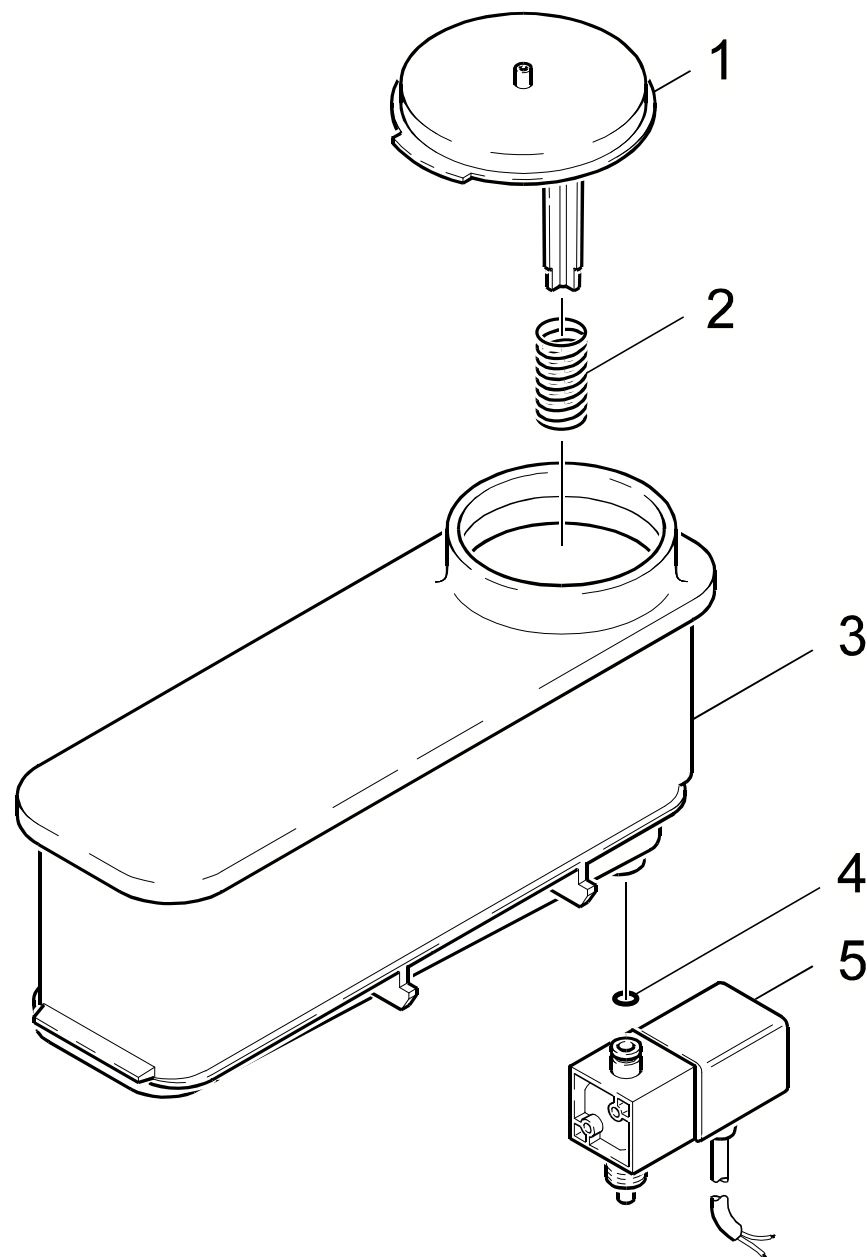
GRUPPE: 8.1 SCHWIMMERKASTEN
GROUP: 8.1 FLOAT CHEST
GROUPE: 8.1 BOITE DU FLOTTEUR

C8

HDS 797 CI

POS. ITM. POS.	BENNENUNG DESCRIPTION DESIGNATION	TEILE-NR. PART-NO. NO.PIECE	STCK QTY. NBR.
0	SCHWIMMERBEHAELTER / FLOAT CHEST / BOITE DU FLOTTEUR	3.593-102.0	1
1	VENTILGEHAEUSE / VALVE HOUSING / CORPS DE SOUPAPE	5.587-134.0	1
2	FLACHDICHTUNG / GASKET / GARNITURE PLATE	5.364-095.0	1
3	VENTILBOLZEN / VALVE PIN / BOULON DE SOUPAPE	5.584-026.0	1
4	SCHUTZTEIL / PROTECTION PART / PARTIE PROTECTEUR	5.394-066.0	1
5	BOLZEN 3,0X 25 / BOLT / BOULON	7.316-004.0	1
6	HEBEL / LEVER / LEVIER	5.481-029.0	1
7	SCHRAUBE M 6X 20 / SCREW / VIS	7.306-194.0	1
8	SCHEIBE / WASHER / RONDELLE	5.115-158.0	1
9	SCHEIBE 6 / WASHER / RONDELLE	7.312-279.0	1
10	6KT-MUTTER M 6 / HEXAGON NUT / ECROU HEXAGONAL	7.311-422.0	1
11	SCHWIMMER / FLOAT / FLOTTEUR	5.585-014.0	1
12	BL.SCHR. ST4,8X19 / SHEET METAL SCREW / VIS A TOLE	7.303-078.0	2
13	SCHEIBE 5 / WASHER / RONDELLE	7.312-278.0	2
14	SCHNAPPMUTTER 4,8 / SNAP NUT / ECROU A ENCLANCH.	6.310-028.0	1
15	BEHAELTER / TANK / BAC	5.070-099.0	1
16	SPLINT 4,0X 50 / COTTER / GOUPILLE FENDUE	7.316-432.0	1
17	BUCHSE / BUSH / DOUILLE	5.112-193.0	1
18	KABELBAND 8-210 / CABLE TIE / PROTECT. DE CABLE	6.641-474.0	2
19	SCHLAUCH 19X4X0,2M / HOSE / TUYAU FLEXIBLE	6.388-775.0	1
20	O-RING 13,3 X 2,4 / GASKET / BAQUE D'ETANCHEITE	6.362-078.0	2
21	SCHLAUCHNIPPEL / HOSE STEM / RACCORD DE FLEXIBLE	5.443-365.0	1
22	MUTTER / NUT / ECROU	5.310-062.0	1
23	SCHLAUCH DN16 / HOSE / TUYAU FLEXIBLE	6.388-719.0	1
	ALS METERWARE BESTELLEN/TO ORDER AS CUT GOODS/COMMANDE COMME MARCHANDISE AU METRE		
24	SCHLAUCHSCHELLE / HOSE BAND CLIP / COLLIER DE SERRAGE	6.388-547.0	1
25	MUTTER R 3/4Z / NUT / ECROU	5.310-061.0	1
26	SCHLAUCHNIPPEL / HOSE STEM / RACCORD DE FLEXIBLE	5.443-224.0	1

"=> xxxxxx" = bis Werknummer / up to serial No. / jusqu' au No. de fabr. / "xxxxxx =>" = ab Werknummer / from serial No. / a partir du No. de fabr. /



Symbolbeschreibung siehe M16 / symbol description see M16 / désignation de système voir M16 /

GRUPPE: 8.2 DGT
GROUP: 8.2 DROP METERING UNIT
GROUPE: 8.2 DGT

E8

HDS 797 CI

POS.	BENNENNUNG	TEILE-NR.	STCK
ITM.	DESCRIPTION	PART-NO.	QTY.
POS.	DESIGNATION	NO.PIECE	NBR.
1	DECKEL / COVER / COUVERCLE	5.063-357.0	1
2	SCHRAUBENFEDER / HELICAL SPRING / RESSORT CYLINDRIQUE	5.332-001.0	1
3	BEHAELTER / TANK / BAC	4.070-123.0	1
4	O-RING 6,0 X 2,0 / GASKET / BAQUE D'ETANCHEITE	6.362-113.0	1
5	MAGNETVENTIL / SOLENOID VALVE / ELECTROVANNE	6.685-845.0	1

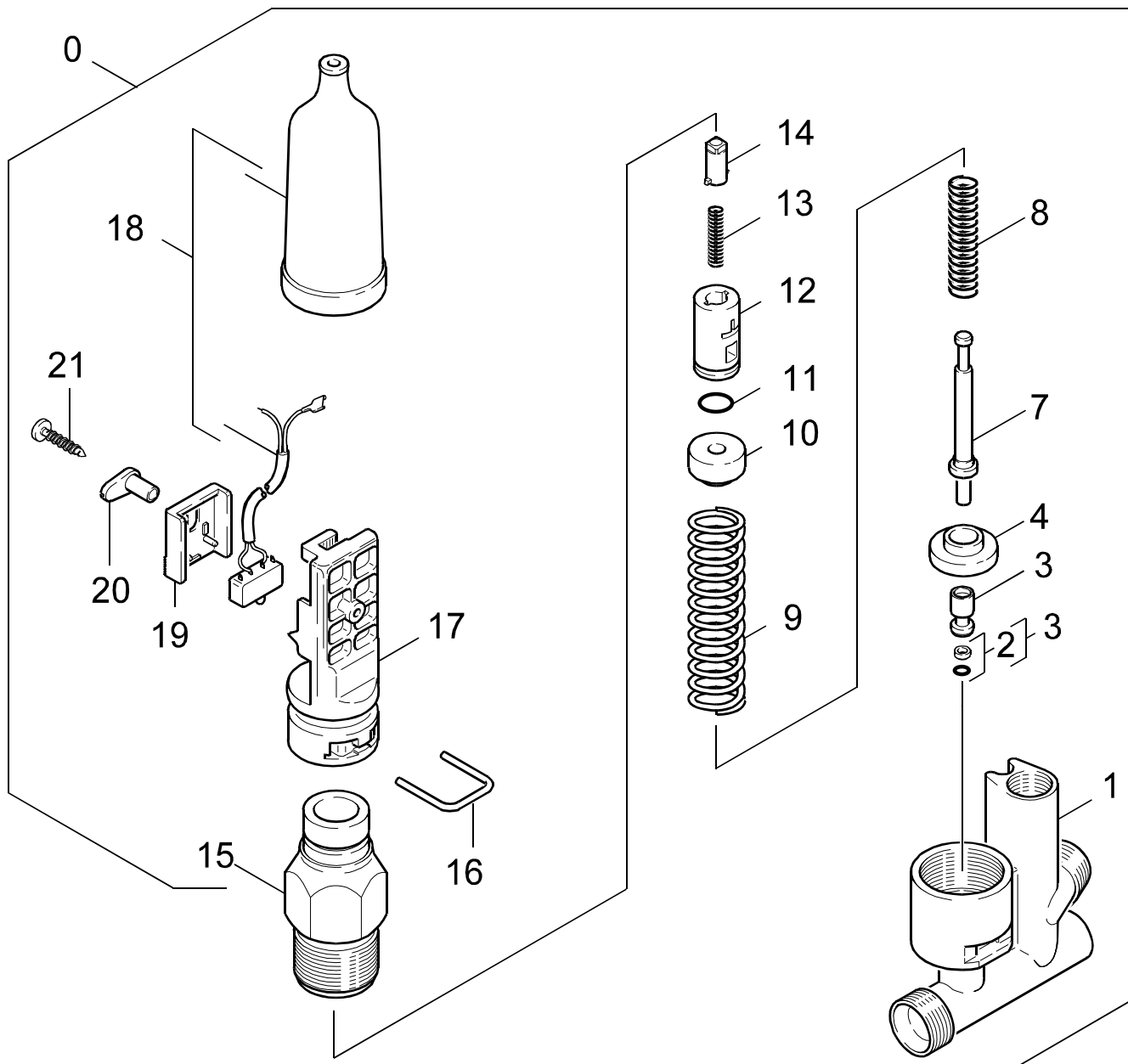
"=> xxxxxx" = bis Werknummer / up to serial No. / jusqu' au No. de fabr. / "xxxxxx =>" = ab Werknummer / from serial No. / a partir du No. de fabr. /

GRUPPE: 9.0 SICHERHEITSBLOCK
GROUP: 9.0 SAFETY SYSTEM
GRUPPE: 9.0 BLOC DE SECURITE

A9

HDS 797 CI

GRUPPE: 9.0 SICHERHEITSBLOCK
GROUP: 9.0 SAFETY SYSTEM
GRUPPE: 9.0 BLOC DE SECURITE



Symbolbeschreibung siehe M16 / symbol description see M16 / désignation de système voir M16 /

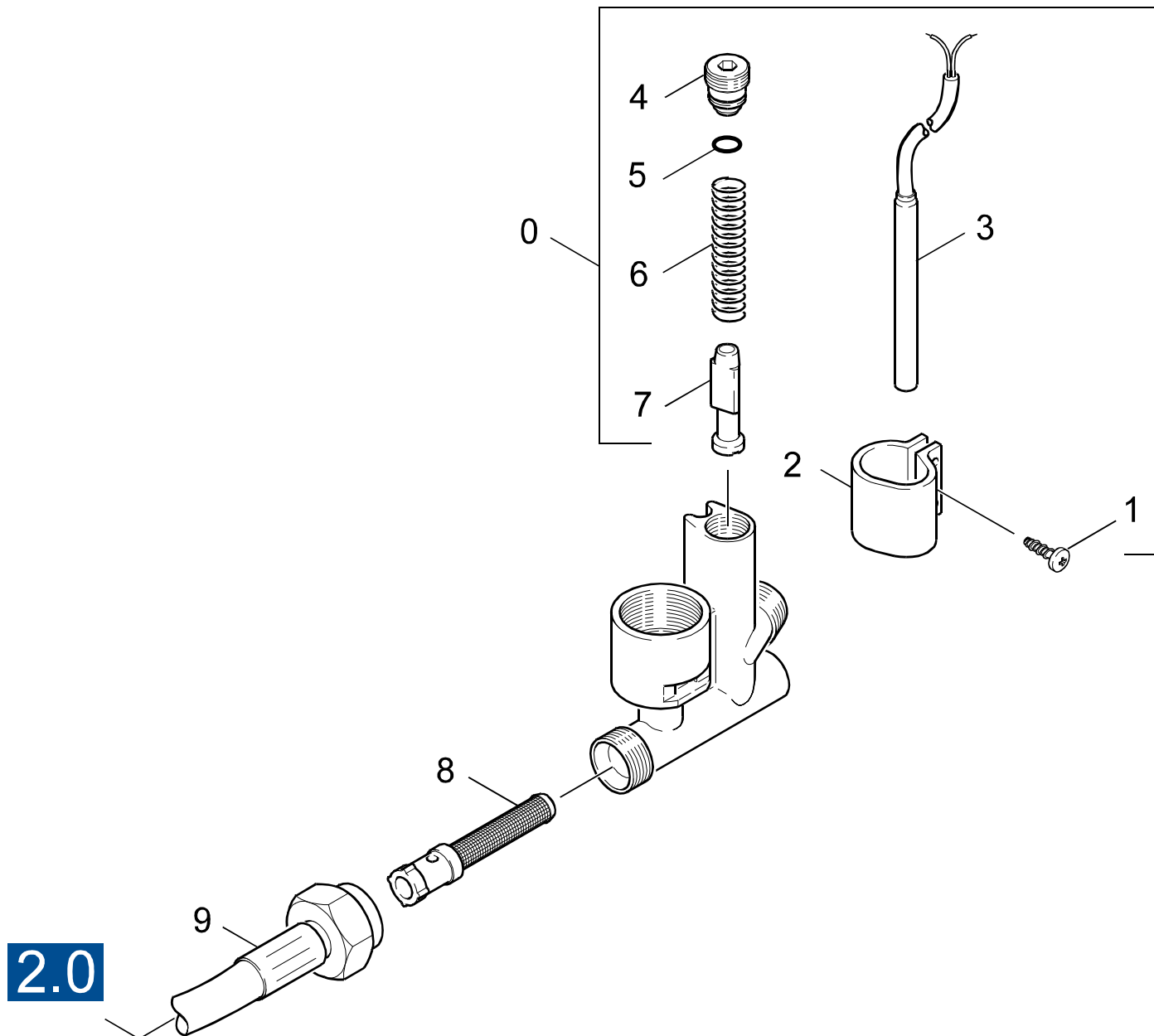
GRUPPE: 9.1 DRUCKSCHALTER
GROUP: 9.1 PRESSURE SWITCH
GROUPE: 9.1 PRESSOTAT

C9

HDS 797 CI

POS. ITM. POS.	BENNENUNG DESCRIPTION DESIGNATION	TEILE-NR. PART-NO. NO.PIECE	STCK QTY. NBR.
0	SICHERHEITSBLOCK / SAFETY SYSTEM / BLOC DE SECURITE	4.749-140.0	1
1	GEHAUSE / HOUSING / BOITIER	5.060-478.0	1
2	O-RING KPL./1ST.-R. / GASKET / BAQUE D'ETANCHEITE	6.362-368.0	1
3	KOLBEN / PISTON / PISTON	4.553-025.0	1
4	SCHEIBE / WASHER / RONDELLE	5.115-147.0	1
7	STANGE / BAR / TIGE	5.107-192.0	1
8	SCHRAUBENFEDER / HELICAL SPRING / RESSORT CYLINDRIQUE	5.332-070.0	1
9	SCHRAUBENFEDER / HELICAL SPRING / RESSORT CYLINDRIQUE	5.332-069.0	1
10	BUCHSE / BUSH / DOUILLE	5.112-453.0	1
11	O-RING 12,0 X 2,0 / GASKET / BAQUE D'ETANCHEITE	6.362-169.0	1
12	KOLBEN / PISTON / PISTON	5.553-265.0	1
13	SCHRAUBENFEDER / HELICAL SPRING / RESSORT CYLINDRIQUE	5.332-293.0	1
14	BOLZEN - FEDER / BOLT / BOULON	5.316-278.0	1
15	GEHAUSE / HOUSING / BOITIER	5.060-414.0	1
16	HAKEN / HOOK / PATERE	5.037-080.0	1
17	HALTER / BRACKET / FIXATION	5.042-618.0	1
18	MIKROSCHALTER / MICRO SWITCH / MICRORUPTEUR	6.631-751.0	1
19	HALTER / BRACKET / FIXATION	5.042-728.0	1
20	BOLZEN / BOLT / BOULON	5.316-284.0	1
21	SCHRAUBE 4 X 20 / SCREW / VIS	7.303-117.0	1

"=> xxxxxx" = bis Werknummer / up to serial No. / jusqu' au No. de fabr. / "xxxxxx =>" = ab Werknummer / from serial No. / a partir du No. de fabr. /



Symbolbeschreibung siehe M16 / symbol description see M16 / désignation de système voir M16 /

GRUPPE: 9.2 REEDSCHALTER
GROUP: 9.2 REED SWITCH
GROUPE: 9.2 INTERRUPTER REED

E9

HDS 797 CI

POS.	BENNENUNG	TEILE-NR.	STCK
ITM.	DESCRIPTION	PART-NO.	QTY.
POS.	DESIGNATION	NO.PIECE	NBR.
0	SICHERHEITSBLOCK / SAFETY SYSTEM / BLOC DE SECURITE	4.749-140.0	1
1	LINSENSCHR. 4,2X 13 / OVAL HEAD SCREW / VIS A TETE BOMBEE	6.303-122.0	1
2	SCHELLE / CLAMP / COLLIER	5.041-076.0	1
3	ERSATZREEDSCHALTER / SPARE REED SWITCH / INTERRUPT.REED DE RESERVE	2.883-384.0	1
4	FORMSCHRAUBE / FORM SCREW / VIS	5.305-162.0	1
5	O-RING 10 X 1,5 / GASKET / BAQUE D'ETANCHEITE	6.362-482.0	1
6	SCHRAUBENFEDER / HELICAL SPRING / RESSORT CYLINDRIQUE	5.332-057.0	1
7	KOLBEN / PISTON / PISTON	4.553-022.0	1
8	SIEB / STRAINER / CREPINE	6.414-436.0	1
9	HD-SCHLAUCH DN 8 / HIGH PRESSURE HOSE / TUYAU FLEXIBLE HAUTE PRE.	6.389-568.0	1

"=> xxxxxx" = bis Werknummer / up to serial No. / jusqu' au No. de fabr. / "xxxxxx =>" = ab Werknummer / from serial No. / a partir du No. de fabr. /

GRUPPE: 10.0ZUBEHOER
GROUP: 10.0ACCESSORIES
GRUPPE: 10.0ACCESSOIRES

A10

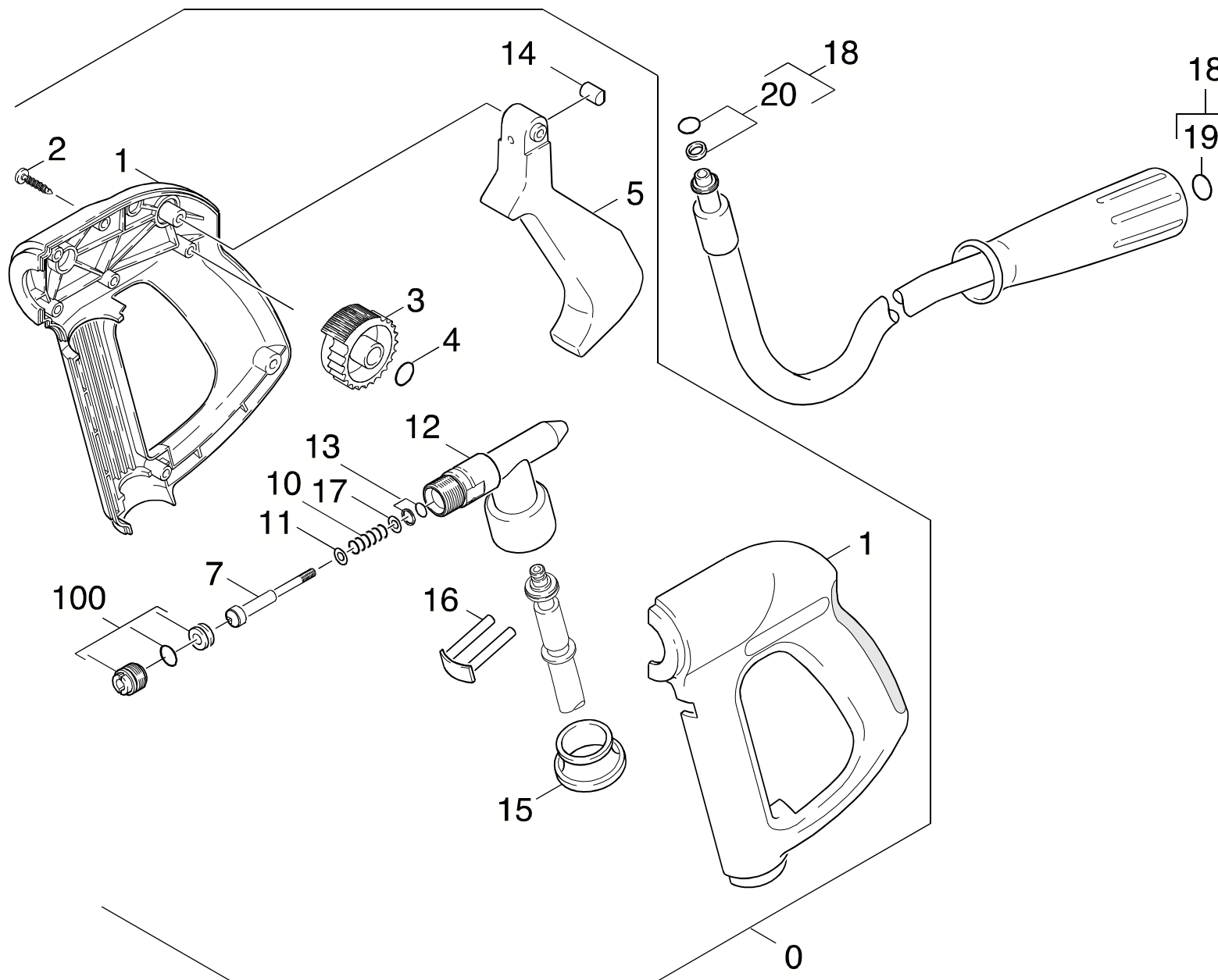
HDS 797 CI

GRUPPE: 10.0ZUBEHOER
GROUP: 10.0ACCESSORIES
GRUPPE: 10.0ACCESSOIRES

GRUPPE: 10.1 HANDSPRITZPISTOLE
GROUP: 10.1 TRIGGER GUN
GRUPPE: 10.1 POIGNEE PISTOLET

B10

HDS 797 CI



Symbolbeschreibung siehe M16 / symbol description see M16 / désignation de système voir M16 /

GRUPPE: 10.1 HANDSPRITZPISTOLE
GROUP: 10.1 TRIGGER GUN
GROUPE: 10.1 POIGNEE PISTOLET

C10

HDS 797 CI

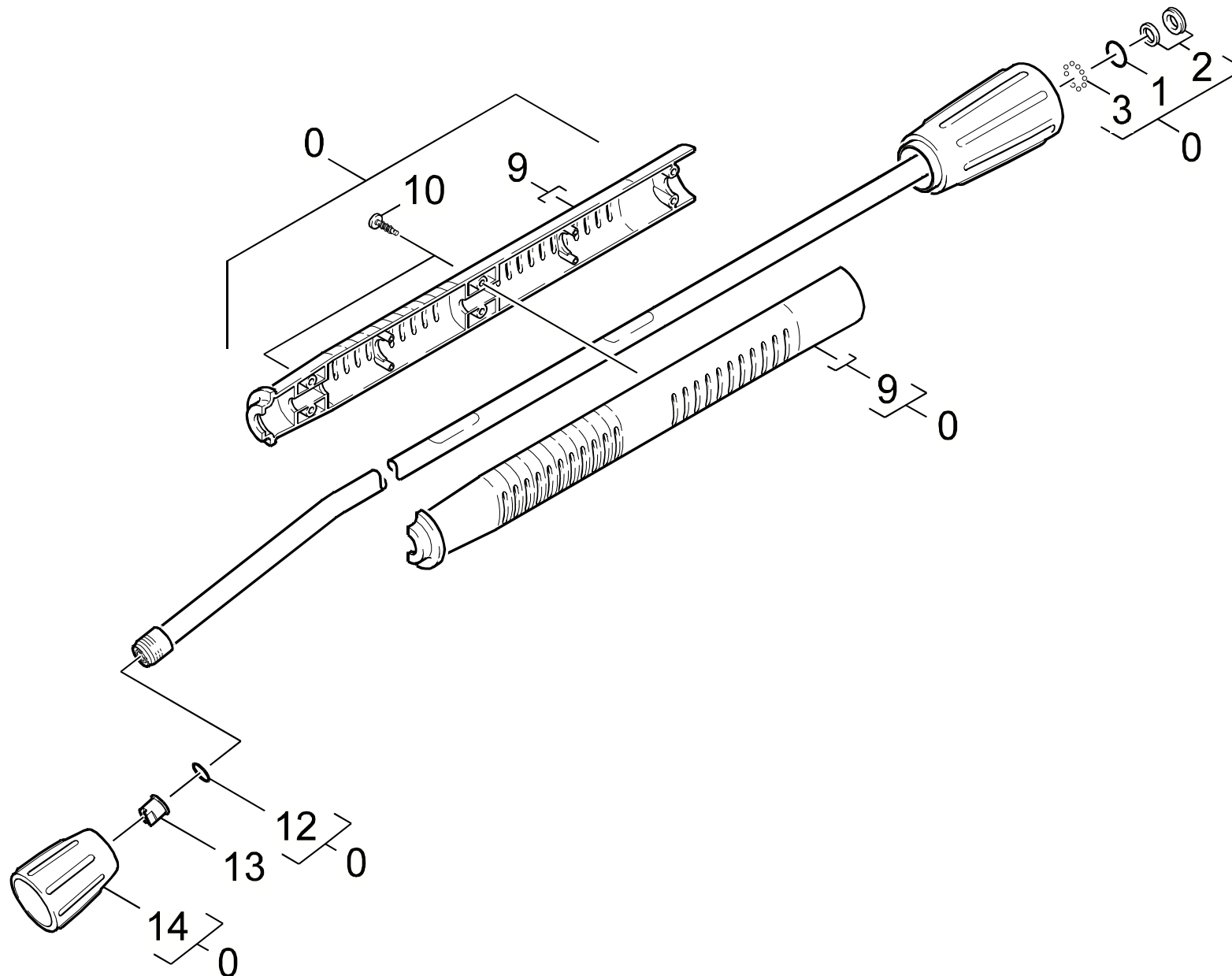
POS. ITM. POS.	BENNENUNG DESCRIPTION DESIGNATION	TEILE-NR. PART-NO. NO.PIECE	STCK QTY. NBR.
0	HANDSPRITZPISTOLE / TRIGGER GUN / POIGNEE PISTOLET	4.775-270.0	1
1	GRIFPAAR / HANDLES / BRANCHES POIGNEE	5.321-494.0	1
2	LINSENSCHR. 4,2X22 / OVAL HEAD SCREW / VIS A TETE BOMBEE	6.303-024.0	8
3	HANDRAD / HAND WHEEL / VOLANT	5.322-011.0	1
4	O-RING 7,65X 1,78 / GASKET / BAQUE D'ETANCHEITE	6.362-642.0	1
5	HEBEL / LEVER / LEVIER	5.481-178.0	1
7	KOLBEN / PISTON / PISTON	5.553-347.0	1
10	SCHRAUBENFEDER / HELICAL SPRING / RESSORT CYLINDRIQUE	5.332-384.0	1
11	SCHEIBE / WASHER / RONDELLE	5.115-675.0	1
12	KNOTENSTUECK / MANIFOLD / FERRURE NODALE	5.427-210.0	1
13	O-RING KPL./1ST.-R. / GASKET / BAQUE D'ETANCHEITE	6.362-477.0	1
14	BOLZEN / BOLT / BOULON	5.316-400.0	1
15	HUELSE / SLEEVE / DOUILLE	5.110-596.0	1
16	HAKEN / HOOK / PATERE	4.037-013.0	1
17	SCHEIBE / WASHER / RONDELLE	5.115-661.0	1
18	HD-SCHLAUCH DN6 / HIGH PRESSURE HOSE / TUYAU FLEXIBLE HAUTE PRE.	6.389-853.0	1
19	ERSATZTEILSET / SPARE PARTS KIT / KIT DE PIECES	2.880-296.0	1
20	O-RING KPL./1ST.-R. / GASKET / BAQUE D'ETANCHEITE	6.363-115.0	1
100	ET-SET / SPARE PARTS SET / JEU DE PIECES DECHANGE	2.883-903.0	1

"=> xxxxxx" = bis Werknummer / up to serial No. / jusqu' au No. de fabr. / "xxxxxx =>" = ab Werknummer / from serial No. / a partir du No. de fabr. /

GRUPPE: 10.2 STRAHLROHR / VERSION 1 /
GROUP: 10.2 JET PIPE / VERSION 1 /
GRUPPE: 10.2 LANCE D'INCENDIE / VERSION 1 /

D10

HDS 797 CI



Symbolbeschreibung siehe M16 / symbol description see M16 / désignation de système voir M16 /

GRUPPE: 10.2STRAHLROHR / VERSION 1 /
GROUP: 10.2JET PIPE / VERSION 1 /
GROUPE: 10.2LANCE D'INCENDIE / VERSION 1 /

E10

HDS 797 CI

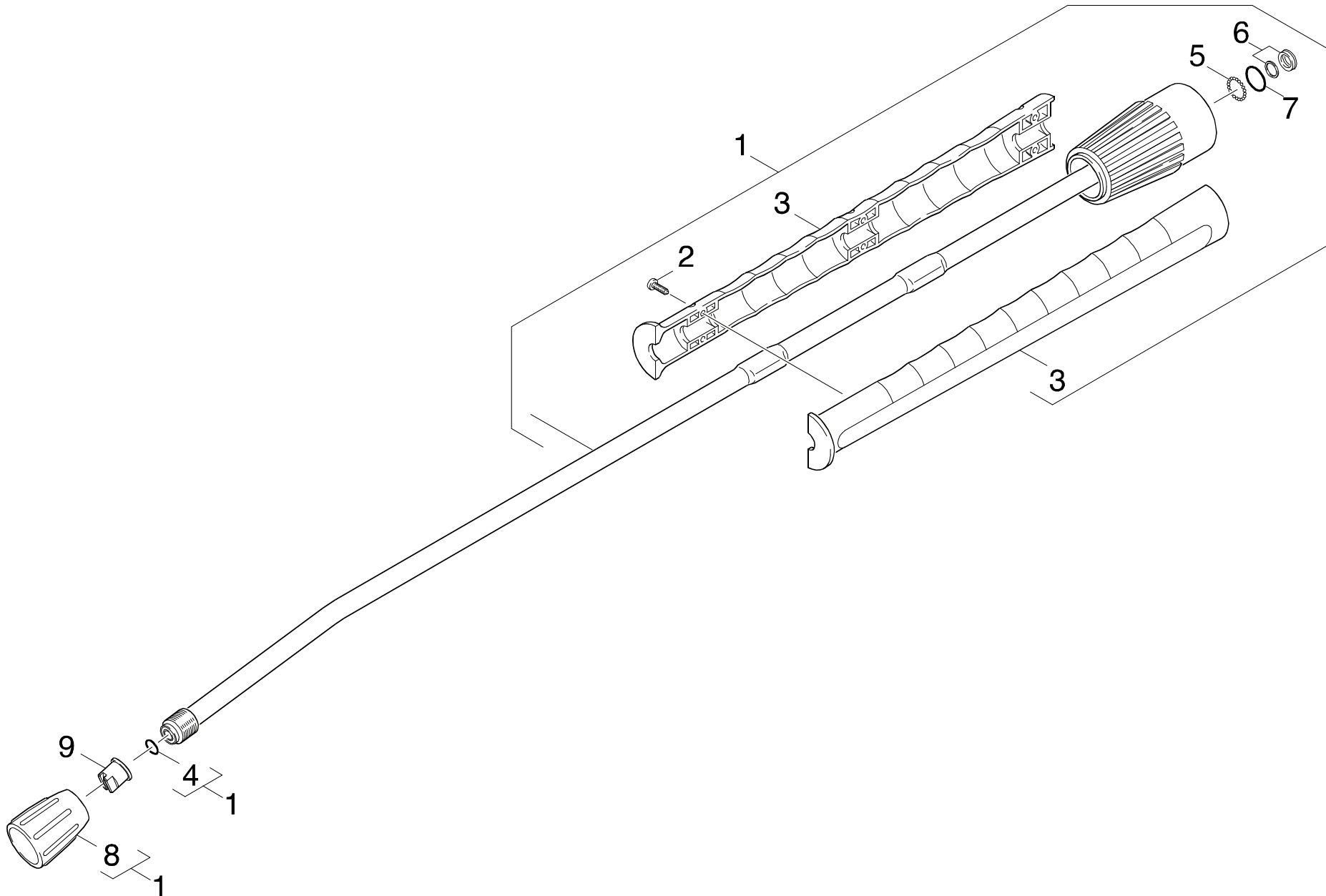
POS. ITM. POS.	BENNENUNG DESCRIPTION DESIGNATION	TEILE-NR. PART-NO. NO.PIECE	STCK QTY. NBR.
0	STRAHLROHR KPL. / JET PIPE / LANCE D'INCENDIE	4.760-550.0	1
1	O-RING 17,0 X 1,5 / GASKET / BAQUE D'ETANCHEITE	6.362-524.0	1
2	NUTRING KPL.1ST.R. / GROOVED RING / JOINT A LEVRES	6.362-532.0	1
3	KUGEL 2,5 G40 / BALL / BOULE	7.401-915.0	20
9	GRIFFPaar / HANDLES / BRANCHES POIGNEE	5.321-691.0	1
10	LINSENSCHR. 4,2X16 / OVAL HEAD SCREW / VIS A TETE BOMBEE	6.303-025.0	6
12	O-RINGSET / GASKET SET / JUE DE BAGUES D'ENTCHEITE	2.880-154.0	1
13	POWERDUESE 25045 / POWER NOZZLE / BUSE / 1.873-502.0	2.883-398.0	1
13	POWERDUESE 25043 / POWER NOZZLE / BUSE / 1.873-501.0 / -504.0	2.883-829.0	1
14	VERSCHRAUBUNGSTEIL / SCREW UNION PART / PIECE (RACCORD A VIS)	5.401-210.0	1

"=> xxxxxx" = bis Werknummer / up to serial No. / jusqu' au No. de fabr. / "xxxxxx =>" = ab Werknummer / from serial No. / a partir du No. de fabr. /

GRUPPE: 10.3 STRAHLROHR / VERSION 2 /
GROUP: 10.3 JET PIPE / VERSION 2 /
GRUPPE: 10.3 LANCE D'INCENDIE / VERSION 2 /

F10

HDS 797 CI



Symbolbeschreibung siehe M16 / symbol description see M16 / désignation de système voir M16 /

GRUPPE: 10.3 STRAHLROHR / VERSION 2 /
GROUP: 10.3 JET PIPE / VERSION 2 /
GRUPPE: 10.3 LANCE D'INCENDIE / VERSION 2 /

G10

HDS 797 CI

POS. ITM. POS.	BENNENUNG DESCRIPTION DESIGNATION	TEILE-NR. PART-NO. NO.PIECE	STCK QTY. NBR.
1	STRAHLROHR KPL. / JET PIPE / LANCE D'INCENDIE	4.760-550.0	1
2	SCHRAUBE 4 X 16 / SCREW / VIS	7.303-129.0	6
3	GRIFFPaar / HANDLES / BRANCHES POIGNEE	5.321-691.0	1
4	ERSATZTEILSET / SPARE PARTS KIT / KIT DE PIECES	2.880-296.0	1
5	KUGEL 2,5 G40 / BALL / BOULE	7.401-915.0	20
6	NUTRING KPL.1ST.R. / GROOVED RING / JOINT A LEVRES	6.362-532.0	1
7	O-RING 17,0 X 1,5 / GASKET / BAQUE D'ETANCHEITE	6.362-524.0	1
8	VERSCHRAUBUNGSTEIL / SCREW UNION PART / PIECE (RACCORD A VIS)	5.401-210.0	1
9	POWERDUESE 25045 / POWER NOZZLE / BUSE	2.883-398.0	1
9	POWERDUESE 25043 / POWER NOZZLE / BUSE	2.883-829.0	1

"=> xxxxxx" = bis Werknummer / up to serial No. / jusqu' au No. de fabr. / "xxxxxx =>" = ab Werknummer / from serial No. / a partir du No. de fabr. /

Bestellhinweis

Bei Ihrer Bestellung sind unbedingt anzugeben :

1.	2.	3.	4.	5.
Gerätetyp Machine model Type d'appareils	Herstell-Nr. Serial-No. No. de série	Benennung Description Désignation	Teile-Nr. Part No. Référence	Stückzahl Piece No. Quantité



**siehe Typenschild
see name-plate
voir plaque signalétique**



**siehe Ersatzteilliste
see spare parts list
voir liste des pièces de rechange**

- Die Ersatzteile, welche als Meterware geliefert werden, sind auf Einbaulänge selbst zu kürzen. Ebenso sind die Stückzahlen in den jeweiligen Gruppen als Mindestbestellmengen = 1m angegeben und können je nach Bedarf auf weitere volle Meterzahlen erhöht und bestellt werden.
- Spare Parts which are delivered as cut goods have to be shortened to installation length. The quotation of quantity in each group refers to the minimum order quantity = 1m and may be ordered and raised to further full metre-values according to demand
- Les pièces de rechange qui sont livrées comme marchandise au mètre sont à raccourcir selon la longueur d'installation. Les indications de quantité dans chaque group se réfèrent à des valeurs de mètre de plus.
- Diese Ersatzteilliste erscheint in gedruckter Form sowie als Mikrofiche. Bei Querverweisen bezieht sich die Angabe "Seitenzahl" auf die gedruckte Ersatzteilliste und die Angabe "Bildtafel" auf die Mikrofilmausgabe.
- This spare parts list is published both in printed form and as a microfiche. In the cross-references, "page number" refers to the printed spare parts list and "display table" to the microfilm edition.
- Cette liste de pièces de rechange est aussi bien imprimée que publiée sous forme de microfiche. Les indications transversales renvoient au "numéro de page" sur la liste imprimée des pièces de rechange et à la "planche" sur la microfiche.

Bitte beachten Sie, daß der Teileumfang dieser Ersatzteilliste nicht unbedingt dem Lieferumfang Ihres Geräte entspricht.

For your information: It could be that certain parts quoted in this spare parts list were not included with the machine delivery.

Pour votre information: il se peut que certaines pièces détachées mentionnées sur la liste ne vous aient pas été livrées avec l'appareil.

Die in dieser Ersatzteilliste nicht aufgeführten Einzelteile, bestellen Sie bitte direkt beim Vertragskundendienst des jeweiligen Herstellers.

Please order the individual parts not included in this assembly directly with the contract aftersales service of the manufacturer in question.

Veillez s'il vous plaît, commander les pièces détachées qui ne sont indiquées dans notre liste des pièces détachées, directement auprès du service après-vente des fabricants en question.

Bei Bestellung von lackierten Teilen, welche in der Ersatzteilliste nicht in verschiedenen Farben ausgewiesen sind, ist zusätzlich die Farbnummer oder Farbe mit anzugeben. Diese finden Sie auf dem Typenschild oder Farbschild Ihres Gerätes.

Upon ordering of varnished parts which are not mentioned in the spare parts list as parts with different colors, kindly additionally mention the number of the color. It can be seen on the type plate of the color plate of your machine.

Commandant des parts vernissés qui ne sont pas mentionnés comme parts avec une couleur différente dans la liste des pièces détachées, veuillez mentionner de plus le numéro de la couleur. Il se trouve sur la plaque signalétique ou la plaque de couleur de votre machine.

Auflistungen von Einzelteilen bei Ersatzteil - u. Pumpensets sind in der Reihe "16" einzusehen, bzw. direkt unter dem entsprechenden Set aufgelistet.

Listings of single parts upon spare parts kits and pump kits can be seen in row "16" or directly listed below the corresponding kit.
Des établissements des pièces détachées en ce qui concerne les kits des pièces de rechange et les kits de pompes, peuvent être vus à la ligne "16" ou ils sont répertoriés directement au-dessous du jeu correspondant.

Technische Änderungen im Rahmen der Weiterentwicklung sowie das Recht der ausschließlichen Auswertung unseres geistigen Eigentums behalten wir uns vor. Vervielfältigung und Nachdruck nur mit Genehmigung und Urheberhinweis möglich.

We reserve the right to make technical changes in the course of development work and the right to make exclusive use of our intellectual property. This spare parts list may be duplicated or reprinted only with our approval and with acknowledgement of our copyright.

Nous nous réservons le droit de toutes modifications techniques dans le cadre du perfectionnement des mises au point ainsi que le droit de la mise en valeur exclusive de notre propriété intellectuelle. Polycopie et reproduction exclusivement après accord et avec mention de l'auteur.

INDEX

M16

HDS 797 CI

GRUPPE:	1.0 EINZELTEILE	A1-G1	GRUPPE:	9.0 SICHERHEITSBLOCK	A9-E9
GROUP:	1.0 PIECE PARTS		GROUP:	9.0 SAFETY SYSTEM	
GRUPPE:	1.0 PIECES CONSTITUANTES		GRUPPE:	9.0 BLOC DE SECURITE	
GRUPPE:	2.0 PUMPENSATZ	A2-M2	GRUPPE:	10.0ZUBEHOER	A10-G10
GROUP:	2.0 PUMP SET		GROUP:	10.0ACCESSORIES	
GRUPPE:	2.0 JEU (ENSEMBLE) DE POMPE		GRUPPE:	10.0ACCESSOIRES	
GRUPPE:	3.0 MOTOR	A3-E3			
GROUP:	3.0 MOTOR				
GRUPPE:	3.0 MOTEUR				
GRUPPE:	4.0 GEBLAESE	A4-C4			
GROUP:	4.0 BLOWER				
GRUPPE:	4.0 VENTILATEUR				
GRUPPE:	5.0 BRENNSTOFFPUMPE	A5-E5			
GROUP:	5.0 FUEL PUMP				
GRUPPE:	5.0 POMPE DE COMBUSTIBLE				
GRUPPE:	6.0 E-GERAETESCHRANK	A6-E6			
GROUP:	6.0 ELECTRIC CONTROL BOX				
GRUPPE:	6.0 COFFRET ELECTRIQUE				
GRUPPE:	7.0 DURCHLAUFERHITZER	A7-G7			
GROUP:	7.0 FLOW HEATER				
GRUPPE:	7.0 CHAUFFE-EAU RAPIDE				
GRUPPE:	8.0 SCHWIMMERKASTEN	A8-E8			
GROUP:	8.0 FLOAT CHEST				
GRUPPE:	8.0 BOITE DU FLOTTEUR				



BEISPIEL: VERSION 1
EXAMPLE: VERSION 1
EXEMPLE: VERSION 1

3.0

BEISPIEL: SIEHE IN GRUPPE 3
EXAMPLE: SEE IN GROUP 3
EXEMPLE: VOIR EN GROUPE 3



WICHTIGER HINWEIS
IMPORTANT REMARK
REMARQUAGE IMPORTANT

BESTELLHINWEIS SIEHE M15
EXAMPLE ORDER SEE M15
EXEMPLE DE COMMANDE VOIR M15

VARIANTENÜBERSICHT SIEHE L16
VARIANTS SURVEY SEE L16
VUE D'ENSEMBLE DE VARIANTS VOIR L16