

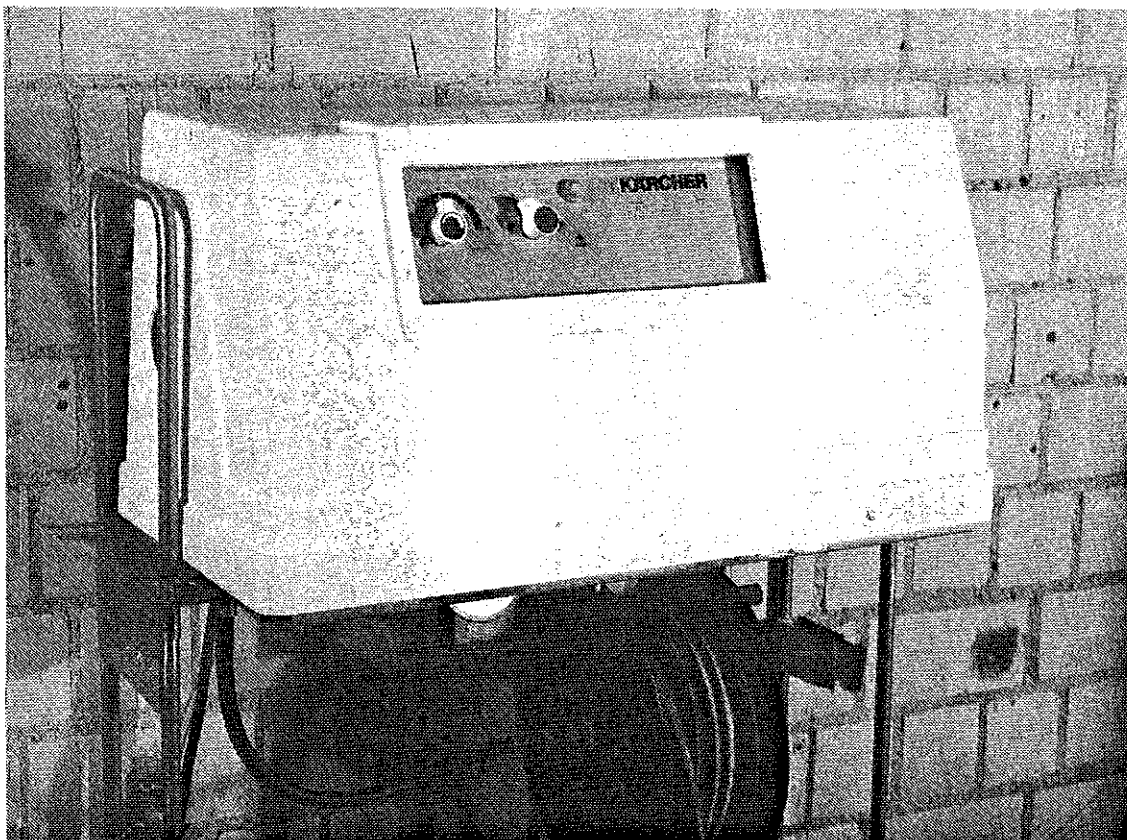


# KÄRCHER

**Ersatzteilliste**  
**Spare Parts List**  
**Liste des pièces de rechange**

## **HD 850 ST**

**1.756-115**

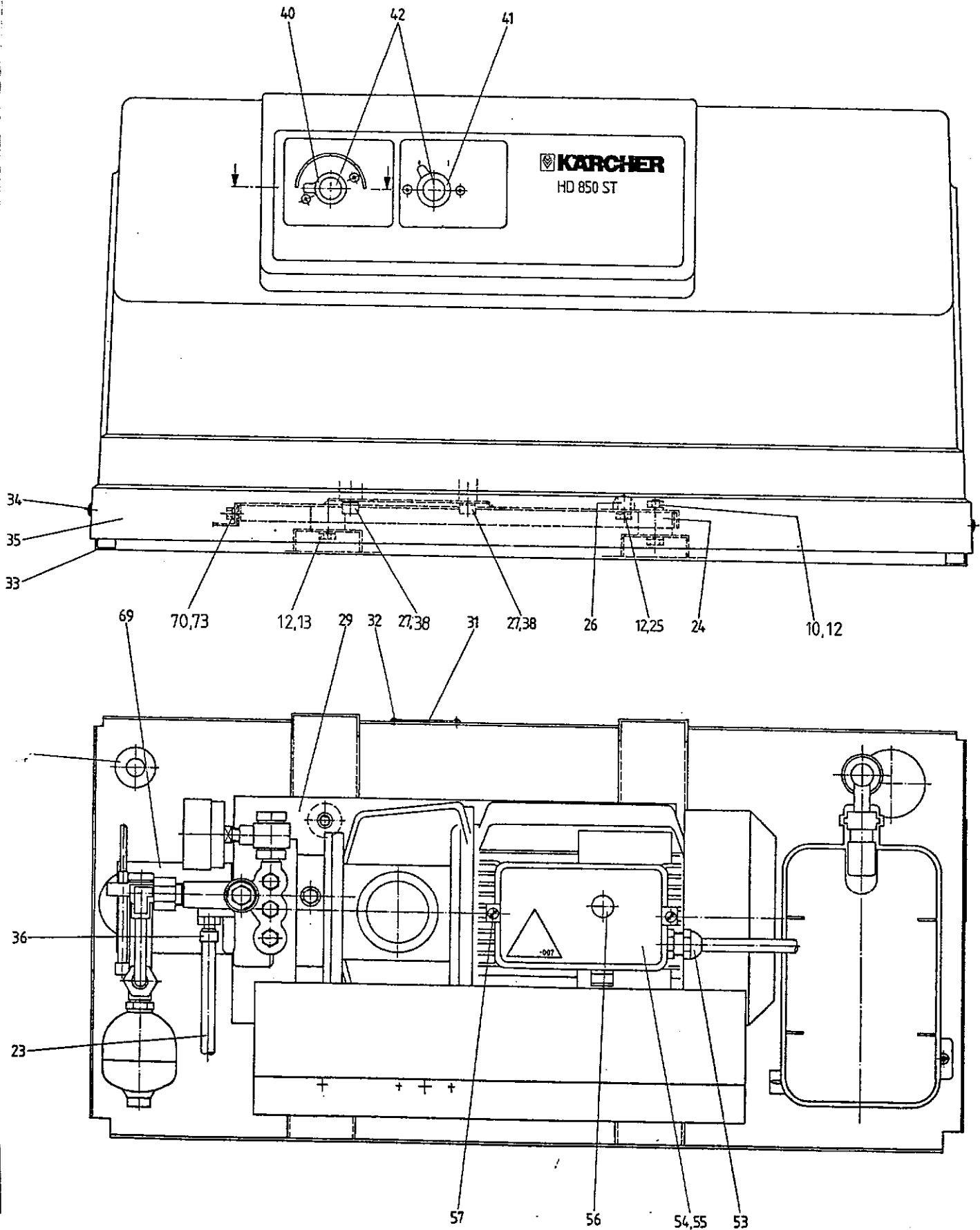


Ersatzteilliste  
Bestell-Nr. 5.952-186/11.87

Ersatzteile unter [www.gluesing.net](http://www.gluesing.net)

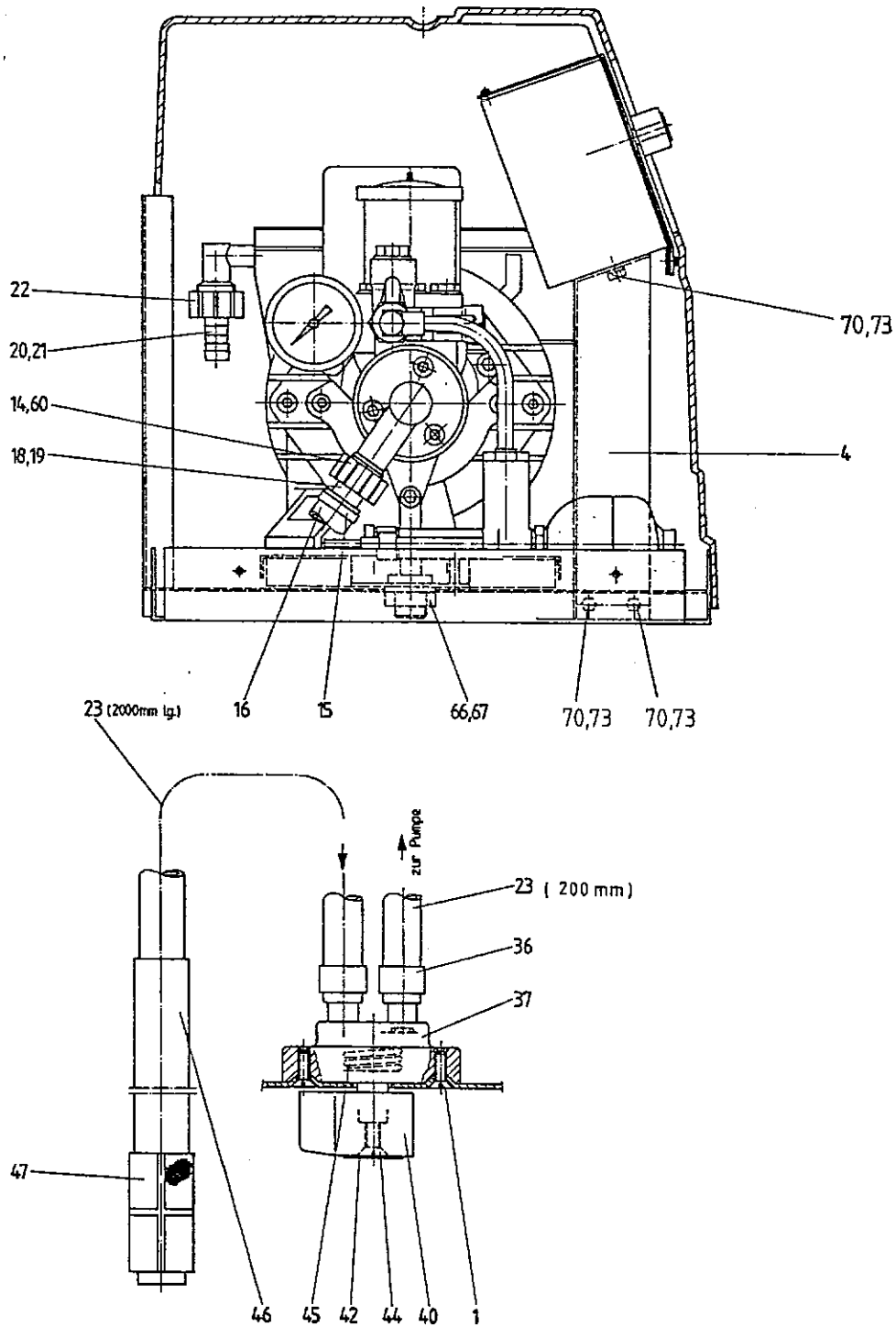
Gruppe: 1 Einzelteile  
Group: 1 Component Parts  
Groupe: 1 Pieces detachees

HD 850 ST



Gruppe: 1 Einzelteile  
Group: 1 Component Parts  
Groupe: 1 Pieces detachees

HD 850 ST



Gruppe: 1 Einzelteile  
Group: 1 Component Parts  
Groupe: 1 Pieces detachees

HD 850 ST

Pos.	Benennung Item Description Pos. Designation	Teile-Nr. Part-No. No.piece	Stück Qty. Nbr.
1	Senkschraube M4x10/ Countersunk Screw/ Vis A Tete Fraisee	6.305-001.0	2
3	Bl.schr.st4,2x9,5/ Sheet Metal Screw/ Vis A Tole	7.303-351.0	2
4	Winkel/ Angle/ Angle	5.018-405.0	2
10	6kt-Schr. m 8x 12/ Hex.head Cap Screw/ Boulon A Six Pans	7.304-546.0	4
12	Federring 38/ Spring Washer/ Rondelle Grower	7.313-015.0	9
13	6kt-Mutter M8/ Hexagon Nut M8/ Ecrou Hex. M8	7.311-068.0	4
14	Mutter/ Nut/ Ecrou	5.310-062.0	1
15	Schl.schl.20-32geb./ Hose Band Clip/ Collier de Serrage	6.389-507.0	2
16	Schlauchstück/ Flexible tube piece/ Piece de tuyau	6.398-048.0	1
18	Schlauchnippel/ Hose Stem/ Raccord de Flexible	5.443-211.0	1
19	O-Ring 14-1,78/ O-Ring/ Joint Torique	6.362-395.0	1
20	Schlauchnippel/ Hose Stem/ Raccord Pour Tuyau	5.443-224.0	1
21	O-Ring 13,3-2,4/ O-Ring/ Joint Torique	6.362-078.0	1
22	Mutter R 3/4z/ Nut/ Ecrou	5.310-061.0	1
23	Schlauch Nw7/ Flexible Tube/ Tuyau	6.388-194.0	2m
24	Gummipuffer/ Rubber Buffer/ Butoir En Caout.	6.339-079.0	4
25	6kt-Schraube M8x25/ Hex. Head Cap Screw/ Boulon A Six Pans	7.304-535.0	1
26	Rohr/ Tube/ Tube	5.026-805.0	1
27	Zyl-Schr.is. M8x16/ Cheese Head Screw/ Vis A Tete Cylindr.	7.306-137.0	3
29	Blechteil/ Sheet Metal Piece/ Piece En Tole	4.038-195.0	1
33	Blechteil/ Frame/ Cadre	4.038-188.0	1
34	Blechshr.f 4,2x13/ Sheet Metal Screw/ Vis A Tole	7.303-380.0	4
35	Haube/ Cap/ Capot	5.066-223.0	1

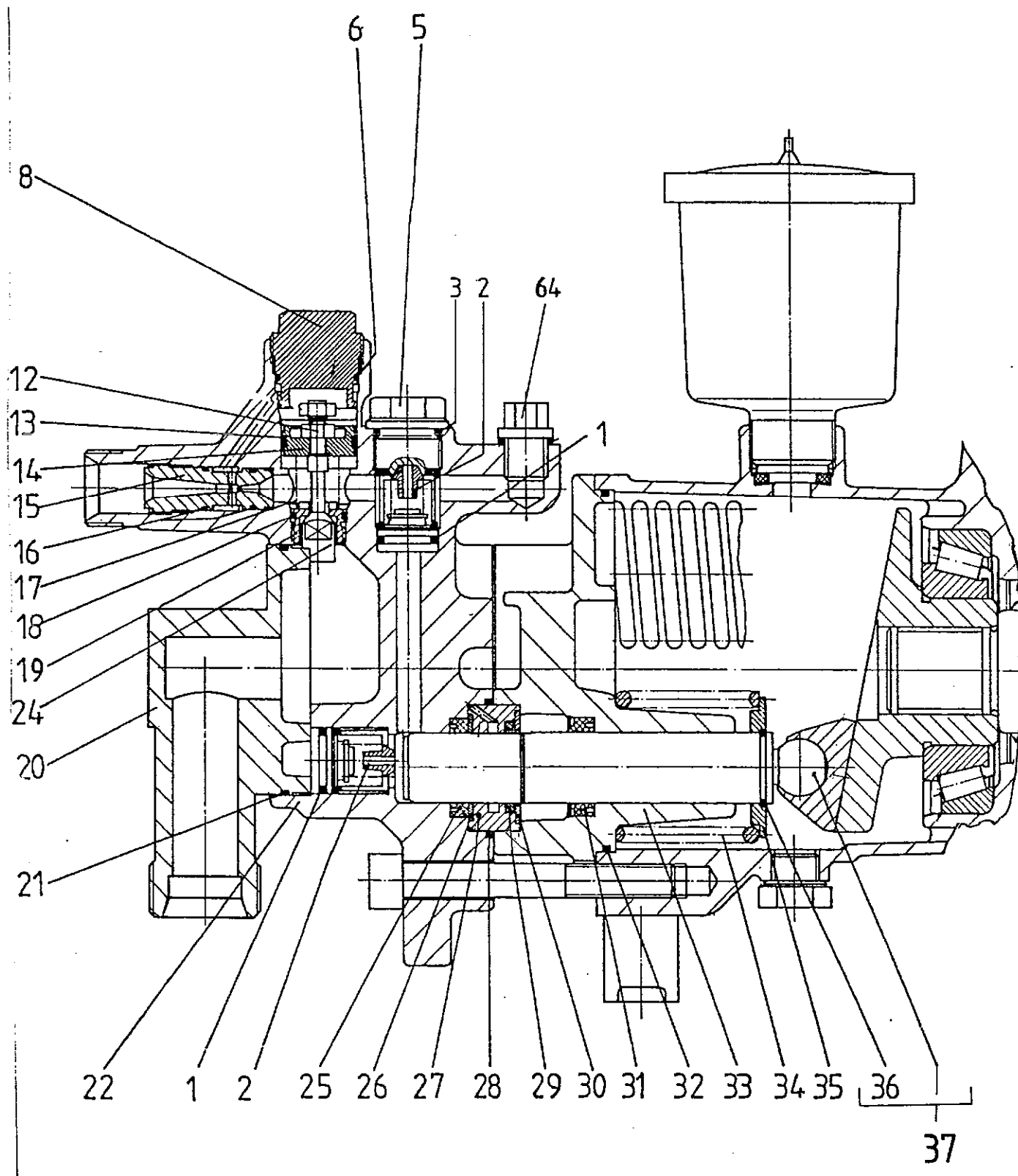
Gruppe: 1 Einzelteile  
Group: 1 Component Parts  
Groupe: 1 Pieces detachees

HD 850 ST

Pos.	Benennung	Teile-Nr.	Stück
Item	Description	Part-No.	Qty.
Pos.	Designation	No.piece	Nbr.
36	Schl-Schelle 12-20/ Hose Band Clip/ Collier de Serrage	6.388-545.0	3
37	Ventil/ Valve/ Vanne	4.580-102.0	1
38	Scheibe/ Disk/ Disque	7.312-034.0	3
40	Griff/ Handle/ Poignee	5.321-214.0	1
41	Griff/ Handle/ Poignee	5.321-212.0	1
42	Stopfen/ Plug/ Bouchon	5.132-010.0	2
44	Senkschraube M4x16/ Countersunk Screw/ Vis A Tete Fraisee	7.305-023.0	1
45	Schraubenfeder/ Coil Spring/ Ressort A Boudin	5.332-028.0	1
46	Rohr/ Tube/ Tube	5.025-747.0	1
47	Filter/ Filter/ Filtre	6.414-136.0	1
53	Kabelverschr.pgl3,5/ Cable Connector/ Raccord de Cables	6.641-613.0	1
54	Haube/ Cap/ Capot	5.066-210.0	1
55	Moosgummischnur 4/ Foamed-Rubber Ring/ Cordon En Caout.	6.273-070.0	1m
56	Schutzkappe/ Protecting Cap/ Capot Protection	6.368-097.0	1
57	Lin-Schr.is M4x22/ Oval Head Screw/ Vis A Tete Bombee	7.309-016.0	2
60	Sieb/ Strainer/ Passoir	6.414-252.0	1
65	6kt-Mutter m 6/ Hexagon Nut m 6/ Ecrou Hex. m 6	7.311-067.0	6
66	6kt-Mutter M22x1,5/ Hexagon Nut M22x1,5/ Ecrou Hex. M22x1,5	7.311-155.0	1
67	Scheibe 22 St-A3e/ Disk/ Disque	7.312-145.0	1
69	Winkel/ Angle/ Angle	5.018-426.0	1
70	6kt-Schr. m 6x 12/ Hex.head Screw/ Boulon A Six Pans	7.304-552.0	8
73	Federring B6 1.4310/ Spring Washer/ Rondelle Grower	7.313-018.0	8
74	Durchf.tuelle D 15/ Bushing Socket/ Douille Detraversee	6.641-428.0	1
75	Zahnscheibe A 6,4/ Crown Gear/ Roue Plate	7.312-167.0	2

Gruppe: 2 Pumpensatz  
Group: 2 Pump set  
Groupe: 2 Ensemble de pompe

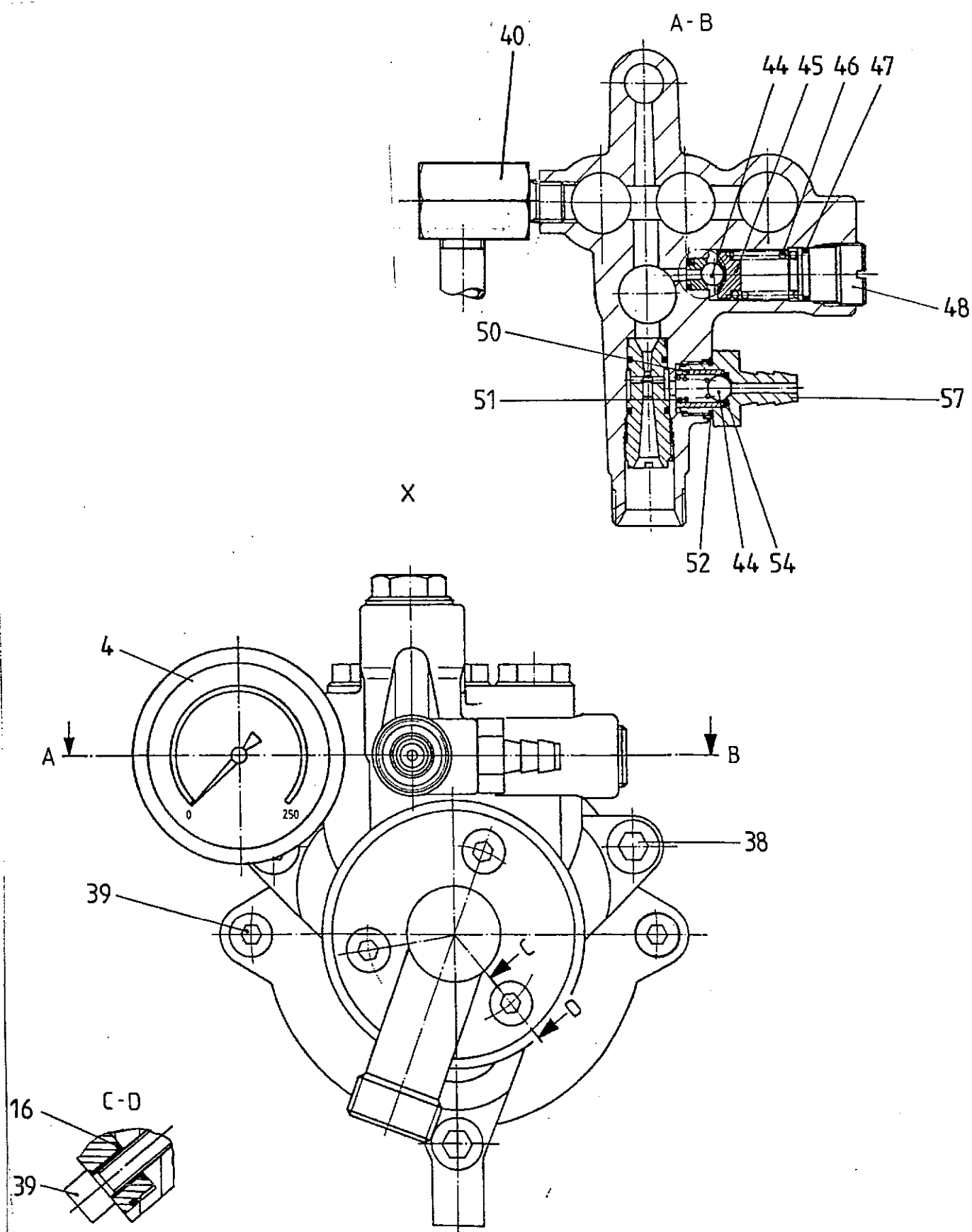
HD 850 ST





Gruppe: 2 Pumpensatz  
Group: 2 Pump set  
Groupe: 2 Ensemble de pompe

HD 850 ST



Gruppe: 2 Pumpensatz  
Group: 2 Pump set  
Groupe: 2 Ensemble de pompe

HD 850 ST

Pos.	Benennung Item Description Pos. Designation	Teile-Nr. Part-No. No.piece	Stück Qty. Nbr.
1	O-Ring 14x2/ O-Ring 14x2/ Joint Torique 14x2	6.362-481.0	6
2	Ventil Komplett/ Valve Complete/ Soupape Complet	4.580-117.0	6
3	O-Ring 15,3-2,4/ O-Ring/ Joint Torique	6.362-153.0	3
4	Manometer 0-250 Bar/ Manometer/ Manometre	6.421-124.0	1
5	Ventilschraube/ Valve Screw/ Vis de Soupape	5.583-090.0	3
6	O-Ring 22x1,5/ O-Ring/ Joint Torique	6.362-412.0	1
8	Schraubstutzen/ Screw Socket/ Manchon Filete	5.402-367.0	1
12	6kt-Mutter m 5/ Hexagon Nut m 5/ Ecrou Hex. m 5	7.311-037.0	1
13	O-Ring Kpl./Ist.-R./ O-Ring Complete/ Joint Torique Comp.	6.362-500.0	1
14	Kolben/ Piston/ Piston	5.553-138.0	1
15	Dueseneinsatz/ Nozzle Insert/ Insert de Tuyere	5.769-079.0	1
16	O-Ring 9x1,5/ O-Ring 9x1,5/ Joint Torique 9x1,5	6.362-384.0	5
17	Schraubenfeder/ Coil Spring/ Ressort A Boudin	5.332-160.0	1
18	O-Ring 12,42-1,78/ O-Ring 12,42-1,78/ Joint Torique	6.362-480.0	1
19	Ventilsitz/ Valve Seat/ Siege de Soupape	5.581-078.0	1
20	Gehausedeckel/ Cover/ Couvercle <i>Wassereinfluss</i>	5.063-313.0	1
21	O-Ring 68x2/ O-Ring/ Joint Torique	6.362-501.0	1
22	Zylinderkopf Kompl./ Cyl. Head Compl./ Cul. de Cyl. Compl.	4.550-098.0	1
24	Ventilbolzen/ Valve Pin/ Axe de Soupape	5.584-051.0	1
25	Nutring/ Grooved Ring/ Joint En U A Levres	6.365-061.0	3
26	Scheibe/ Disk/ Disque	5.115-224.0	3
27	Buchse/ Bush/ Boite	5.112-314.0	3
28	O-Ring 34,65-1,78/ O-Ring 34,65x1,78/ Joint Torique	6.362-484.0	3
29	O-Ring Komplett 20/ O-Ring Compl/ Joint Torique Compl	6.362-457.0	3



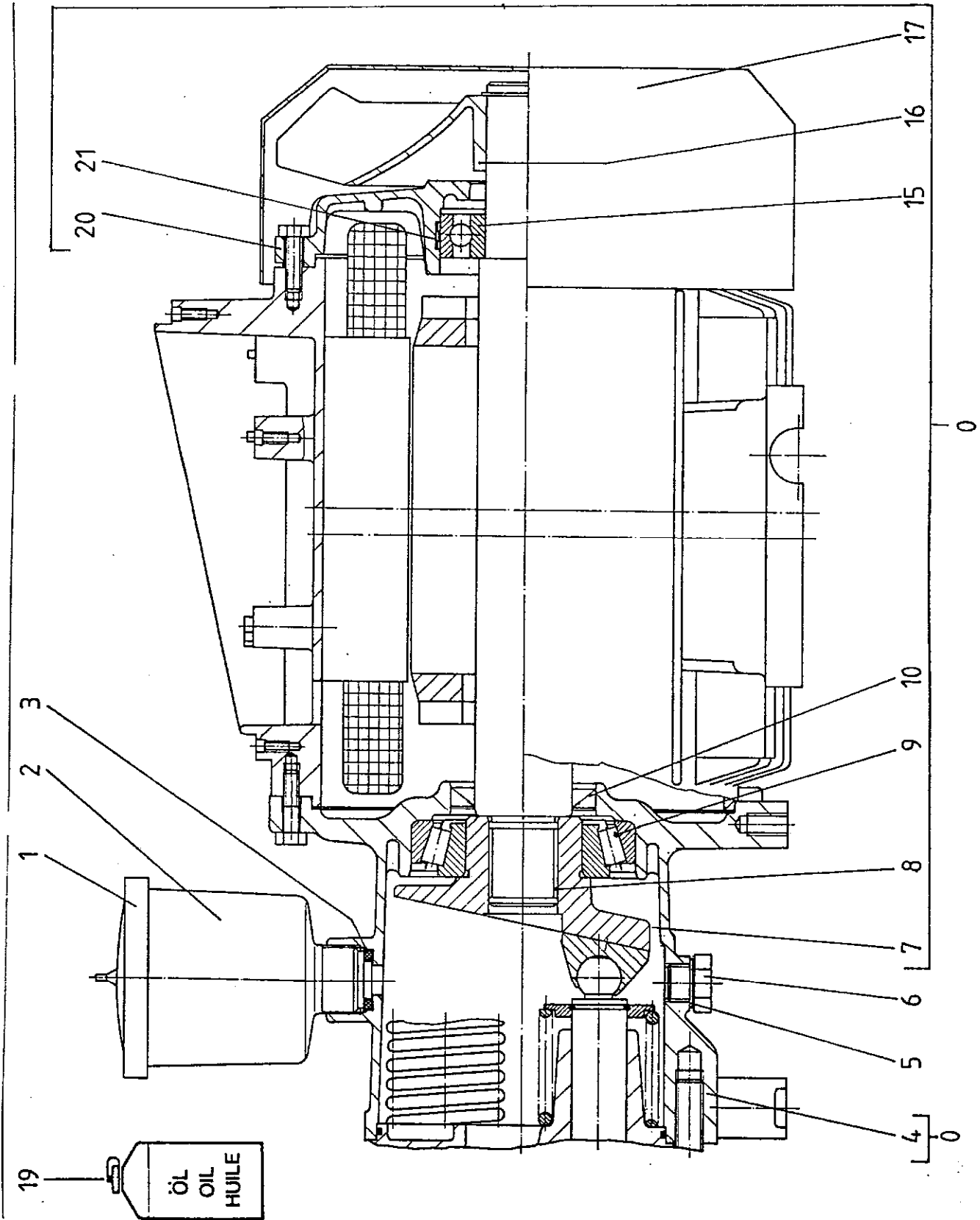
Gruppe: 2 Pumpensatz  
Group: 2 Pump set  
Groupe: 2 Ensemble de pompe

HD 850 ST

Pos.	Benennung Item Description Pos. Designation	Teile-Nr. Part-No. No.piece	Stück Qty. Nbr.
30	Scheibe/ Disk/ Disque	5.115-409.0	3
31	Nutring 20x28x6,8/ Grooved Ring/ Joint En U A Levres	6.365-052.0	3
32	O-Ring 100x1,78/ O-Ring 100x1,78/ Joint Torique	6.362-448.0	1
33	Gehaeuse/ Housing/ Boitier	5.060-261.0	1
34	Schraubenfeder/ Coil Spring/ Ressort A Boudin	5.332-150.0	3
35	Scheibe/ Disk/ Disque	5.115-289.0	3
36	Sprengtring 20/ Sealing Ring/ Circlip	6.472-331.0	3
37	Kolben Kpl./ Piston Complete/ Piston Complet	4.553-099.0	3
38	Zyl.-Schr. M12x80/ Cheese-Head Screw/ Vis A Tete Cylindr.	7.306-122.0	3
39	Zyl.-Schr.is. m 8x25/ Cheese Head Screw/ Vis A Tete Cylindr.	7.306-042.0	5
40	Schraubstutzen/ Screw Socket/ Manchon Filete	5.402-368.0	1
44	Kugel 07/ Ball/ Boule	7.401-908.0	2
45	Ventilteller/ Valve Head/ Tete de Soupape	5.582-075.0	1
46	Schraubenfeder/ Coil Spring/ Ressort A Boudin	5.332-203.0	1
47	O-Ring 12,0-2,0/ O-Ring/ Joint Torique	6.362-169.0	1
48	Ventilschraube/ Valve Screw/ Vis de Soupape	5.583-089.0	1
50	Rohr/ Tube/ Tube	5.026-764.0	1
51	Schraubenfeder/ Coil Spring/ Ressort A Boudin	5.332-124.0	1
52	O-Ring 14x1,5/ O-Ring/ Joint Torique	6.362-533.0	1
54	O-Ring 6x2/ O-Ring 6x2/ Joint Torique 6x2	6.362-383.0	1
57	Schraubstutzen/ Screw Socket/ Manchon Filete	5.402-370.0	1
64	Vs.schr. R1/4 z Ms/ Screw Plug/ Vis de Fermeture	7.382-273.0	1

Gruppe: 3 Motor  
Group: 3 Motor  
Groupe: 3 Moteur

HD 850 ST



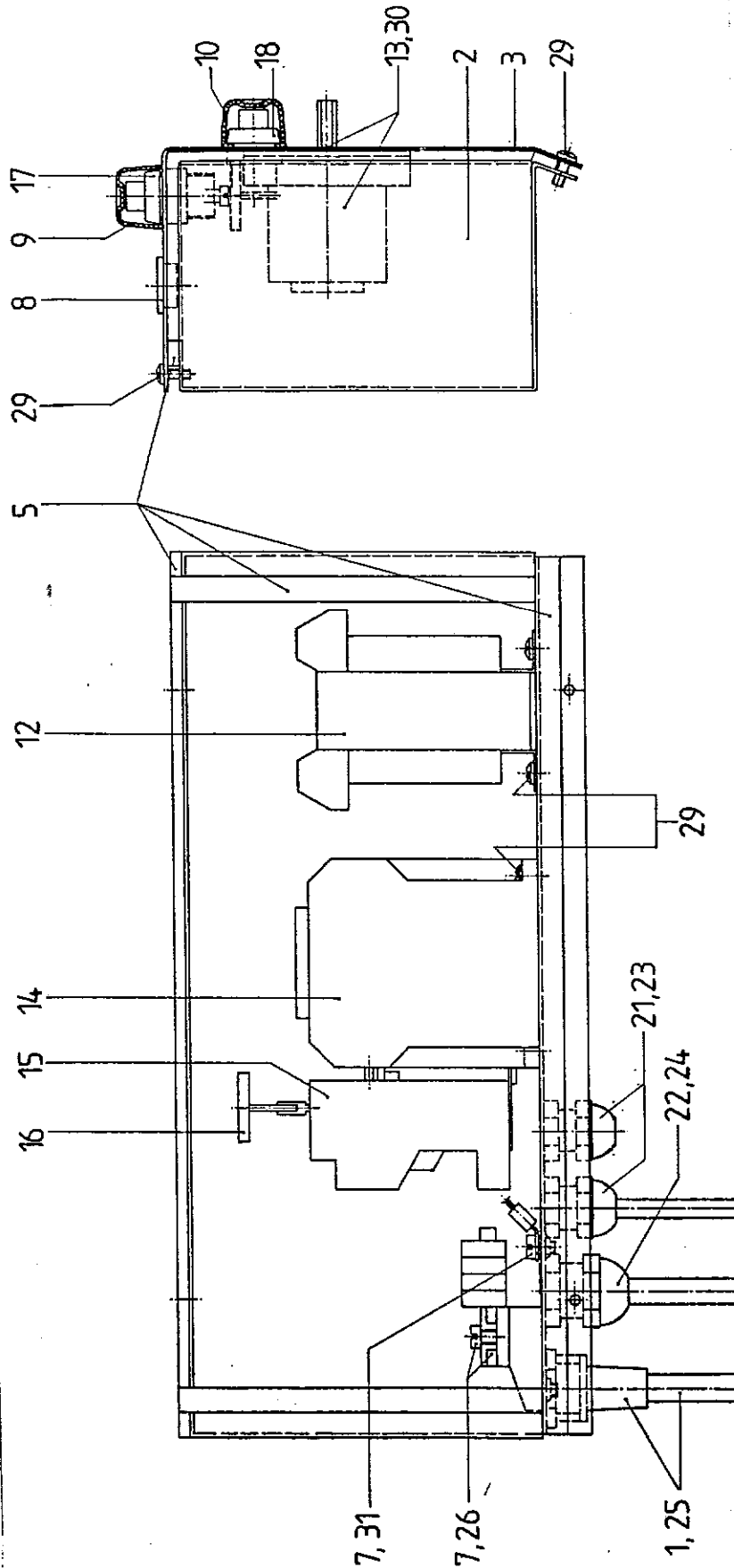
Gruppe: 3 Motor  
Group: 3 Motor  
Groupe: 3 Moteur

HD 850 ST

Pos.	Benennung Item Description Pos. Designation	Teile-Nr. Part-No. No.piece	Stück Qty. Nbr.
0	Motor 220/380v4,5kw/ Motor/ Moteur	6.611-379.0	1
1	Deckel/ Cover/ Couvercle	5.063-189.0	1
2	Behaelter/ Receptacle/ Recipient	5.070-048.0	1
3	Dichtring/ Joint Ring/ Anneau D'etancheite	5.363-100.0	1
4	Gehaeuse/ Housing/ Boitier	5.060-292.0	1
5	Dichtring A 14x18/ Joint Ring/ Anneau D'etancheite	7.362-005.0	1
6	Vs.schraube M14x1,5/ Screw Plug/ Vis de Fermeture	7.382-233.0	1
7	Taumelscheibe/ Swash Plate/ Disque En Nutation	5.120-157.0	1
8	Toleranzring/ Tolerance Ring/ Entretoise	6.343-019.0	1
9	Kegelrollenlager 4l/ Taper Roller Bearin/ Palier Con.a Roul.	6.401-113.0	1
10	W.dichtring A 35x52/ Rotary Shaft Seal/ Bague A Levres Res.	7.367-009.0	1
15	Rillenkugellager/ Ball Bearing/ Roulement A Billes	7.401-132.0	1
16	Luefterrad/ Fan Impeller/ Roue de Ventilateur	6.611-247.0	1
17	Luefterhaube/ Ventilator Cowl/ Bague de Ventil.	6.611-352.0	1
19	Getriebeoel/ Gear Lubricant Oil/ Huile A Engrenages	6.288-016.0	11
20	B-seitig. Lagerschild/ B-side ende shield/ B-cote flasque	6.611-377.0	1
21	Toleranzring/ Tolerance ring/ Entretoise	6.343-010.0	1

Gruppe: 4 E-Geräteschrank  
Group: 4 Locker for instruments  
Groupe: 4 Armoire d'instruments

HD 850 ST



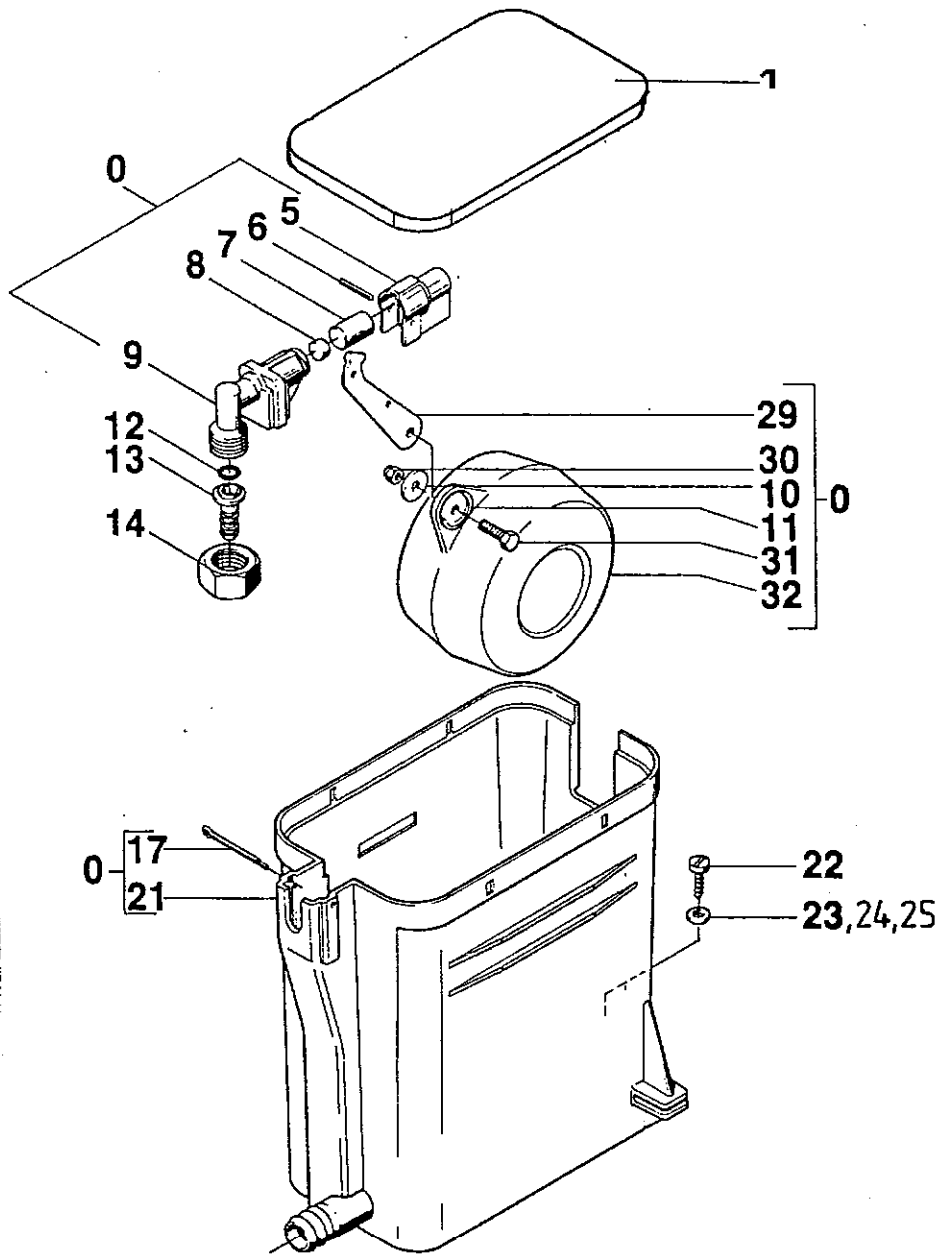
Gruppe: 4 E-Geräteschrank  
Group: 4 Locker for instruments  
Groupe: 4 Armoire d'instruments

HD 850 ST

Pos.	Benennung Item Description Pos. Designation	Teile-Nr. Part-No. No.piece	Stück Qty. Nbr.
1	Kabel/ Cable/ Cable	4.820-281.0	1
2	Blechteil/ Sheet Metal Piece/ Piece En Tole	4.038-192.0	1
3	Instrumententafel/ Instrument Board/ Tableau de Bord	5.841-186.0	1
5	Zellgummiband 9x4/ Cell. Rubber Band/ Ruban Caout.cell.	6.273-043.0	1m
7	Schneidschr.m5x12/ Self-Tapping Screw/ Vis Autotaraudeuse	6.303-012.0	2
8	Verschlussstopfen/ Drain Plug/ Bande D'evier	6.368-050.0	1
9	Gummikappe/ Rubber Cap/ Capuchon En Caout.	6.368-057.0	1
10	Gummikappe/ Rubber Cap/ Cap. En Caoutchouc	6.368-122.0	1
12	St-Trafo 40 Va/ Transformer/ Transformateur	6.622-021.0	1
13	Schalter/ Switch/ Interrupteur	6.631-450.0	1
14	Schuetz 24v/ Contactor/ Contacteur	6.632-133.0	1
15	Ueberstromrelais/ Overload Release/ Discontacteur	6.633-245.0	1
16	Verlaengerung/ Extention/ Elongation	6.633-246.0	1
17	Drucktaster/ Pushbutton/ Bouton-Poussoir	6.634-028.0	1
18	Drucktaster Gruen/ Pushbutton/ Bouton-Poussoir	6.634-082.0	1
21	Kabelverschr.pg 9/ Cable Connector/ Raccord de Cables	6.641-355.0	2
22	Kabelverschr.pg16/ Cable Connector/ Raccord de Cables	6.641-356.0	1
23	Gegenmutter Pg 9/ Counternut/ Contre-Ecrou	6.641-366.0	2
24	Gegenmutter Pg 16/ Counternut/ Contre-Ecrou	6.641-370.0	1
25	Gegenmutter Pgl6/ Conternut/ Contre-Ecrou	6.641-484.0	1
26	Klemmleiste Kpl./ Strip Terminal/ Borne Plate	6.643-237.0	1
29	Blechshr.f 4,2x13/ Sheet Metal Screw/ Vis A Tole	7.303-380.0	8
30	Senkschraube M4x10/ Countersunk Screw/ Vis A Tete Fraisee	6.305-001.0	2
31	Zahnscheibe A 5,3/ Crown Gear/ Roue Plate	7.312-172.0	2

Gruppe: 5 Schwimmerventil  
Group: 5 Float Valve  
Groupe: 5 Bac a flotteur

HD 850 ST





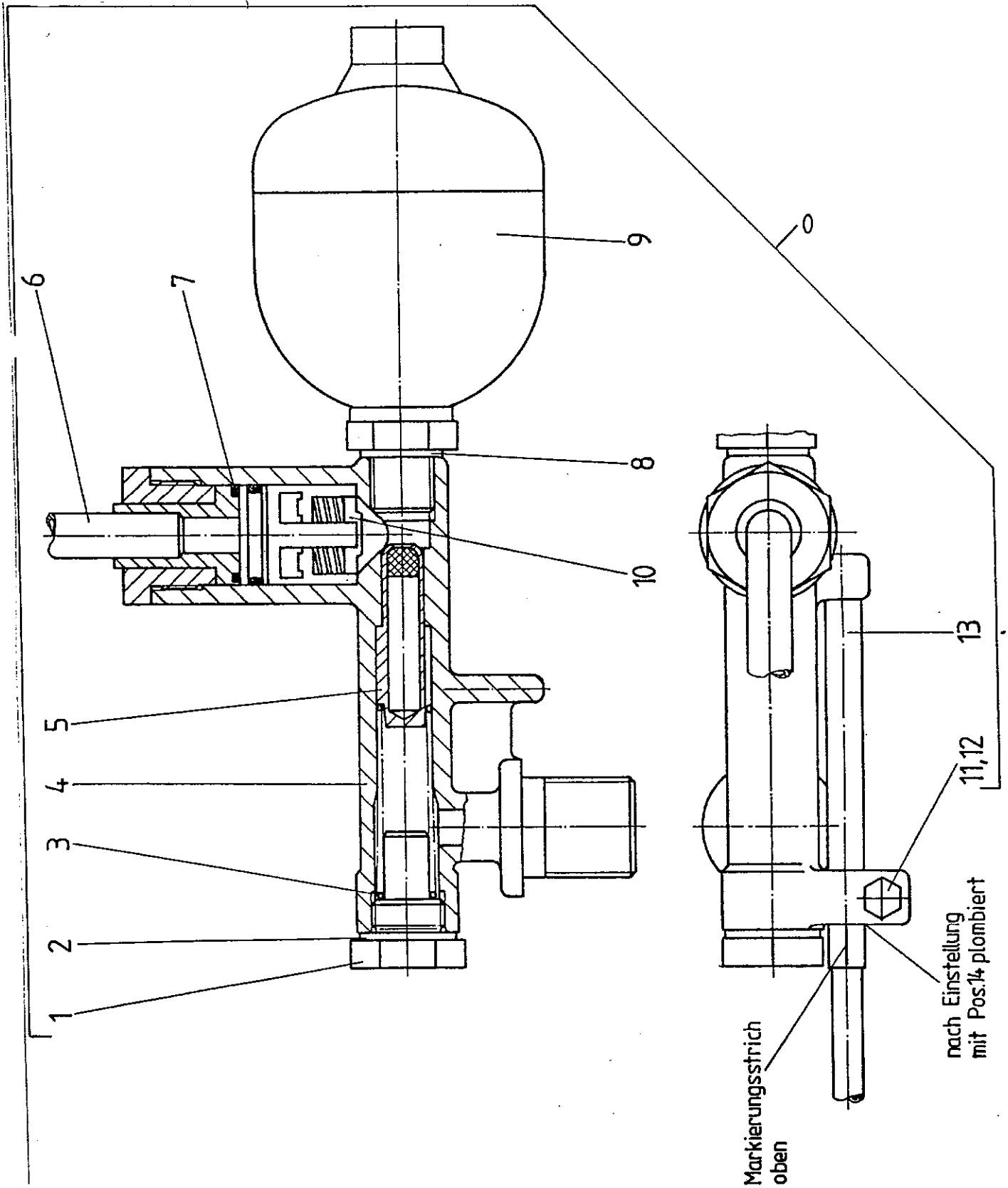
Gruppe: 5 Schwimmerventil  
Group: 5 Float Valve  
Groupe: 5 Bac a flotteur

HD 850 ST

Pos.	Benennung Item Description Pos. Designation	Teile-Nr. Part-No. No.piece	Stück Qty. Nbr.
0	Schwimmerventil/ Float Valve/ Soupape A Flotteur	3.593-054.0	1
1	Deckel/ Cover/ Couvercle	5.063-243.0	1
5	Schutzteil/ Protection Piece/ Piece de Protection	5.394-066.0	1
6	Bolzen 3h11x25/ Pin/ Axe	7.316-004.0	1
7	Ventilbolzen/ Valve Pin/ Axe de Soupape	5.584-026.0	1
8	Flachdichtung/ Flat Packing/ Garniture Plate	5.364-095.0	1
9	Ventilgehäuse/ Valve Box/ Boite A Soupape	5.587-103.0	1
10	Scheibe A 6,4/ Disk A 6,4/ Disque A 6,4	7.312-279.0	1
11	Scheibe/ Disk/ Disque	5.115-158.0	1
12	O-Ring 13,3-2,4/ O-Ring/ Joint Torique	6.362-078.0	1
13	Schlauchnippel/ Hose Stem/ Raccord Pour Tuyau	5.443-224.0	1
14	Mutter R 3/4z/ Nut/ Erou	5.310-061.0	1
17	Splint 4x50/ Split Pin/ Goupille	7.316-432.0	1
21	Behälter/ Receptacle/ Recipient	5.070-064.0	1
22	Zyl-Schr.is. M5x16/ Cheese Head Screw/ Vis A Tete Cylindr.	7.306-135.0	2
23	Scheibe A5,3 1.4301/ Disk/ Disque	7.312-282.0	2
24	6kt.mutter M5/ Hexagon Nut M5/ Erou Hex. M5	7.311-065.0	2
25	Federring b 5/ Spring Washer b 5/ Rondelle Grower b 5	7.313-016.0	2
29	Hebel/ Lever/ Levier	5.481-029.0	1
30	6kt-Mutter M6/ Hexagon Nut M6/ Erou Hex. M6	7.312-422.0	1
31	6kt-Schraube M6x20/ Hex. Head Cap Screw/ Boulon A Six Pans	7.304-471.0	1
32	Schwimmer/ Float/ Flotteur	5.585-004.0	1

Gruppe: 6 Strömungswächter  
Group: 6 Water-Flow  
Groupe: 6 Detector

HD 850 ST



Gruppe: 6 Strömungswächter  
Group: 6 Water-Flow  
Groupe: 6 Detector

HD 850 ST

Pos.	Benennung Item Description Pos. Designation	Teile-Nr. Part-No. No.piece	Stück Qty. Nbr.
0	Druckschalter/ Push Switch/ Manocontacteur	4.745-005.0	1
1	Schraubstutzen/ Screw Socket/ Manchon Filete	5.402-372.0	1
2	Dichtring A 16x20/ Joint Ring/ Anneau D'etancheite	7.362-007.0	1
3	Schraubenfeder/ Coil Spring/ Ressort A Boudin	5.332-057.0	1
4	Gehaeuse/ Housing/ Boitier	5.605-128.0	1
5	Kolben/ Piston/ Piston	4.553-097.0	1
6	Rohrleitung/ Tube/ Conduite	4.421-027.0	1
7	O-Ring 17x2/ O-Ring/ Joint Torique	6.362-580.0	1
8	Dichtring A 14x18/ Joint Ring/ Anneau D'etancheite	7.362-005.0	1
9	Druckspeicher/ Pulsation Dampper/ Accum.de Press.	6.505-025.0	1
10	Ventil Kompl. Natur/ Valve Complete/ Soupape Complet	4.580-140.0	1
11	6kt-Schraube M5x20/ Hex. Head Cap Screw/ Boulon A Six Pans	7.304-374.0	1
12	6kt-Mutter m 5/ Hexagon Nut M5/ Ecrou Hex. M5	7.311-421.0	1
13	Ersatz-Reedschalter/ Subst.-Reed Switch/ Rempl.- Contact.reed	2.880-194.0	1

OS WNI. 10231

Druckschalt. mit elektron. Zeitabschaltg

bei Problemen bis 10230

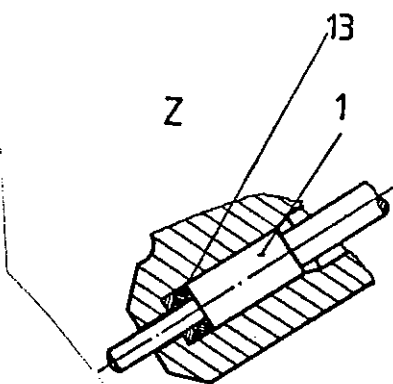
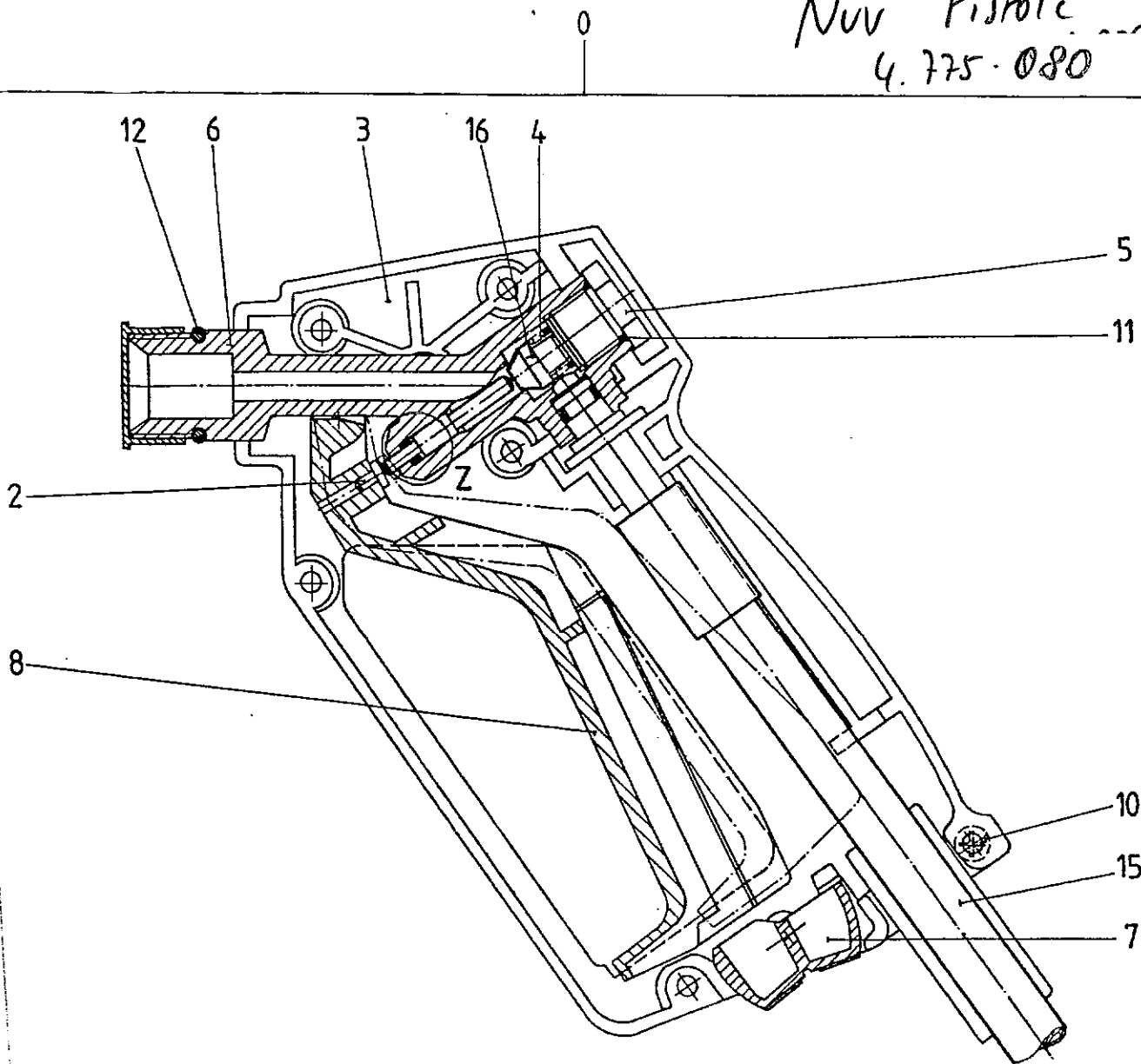
2.637-671

verwenden.

Gruppe: 7 Handspritzpistole  
Group: 7 Trigger gun  
Groupe: 7 Poignee-pistolet

HD 850 ST

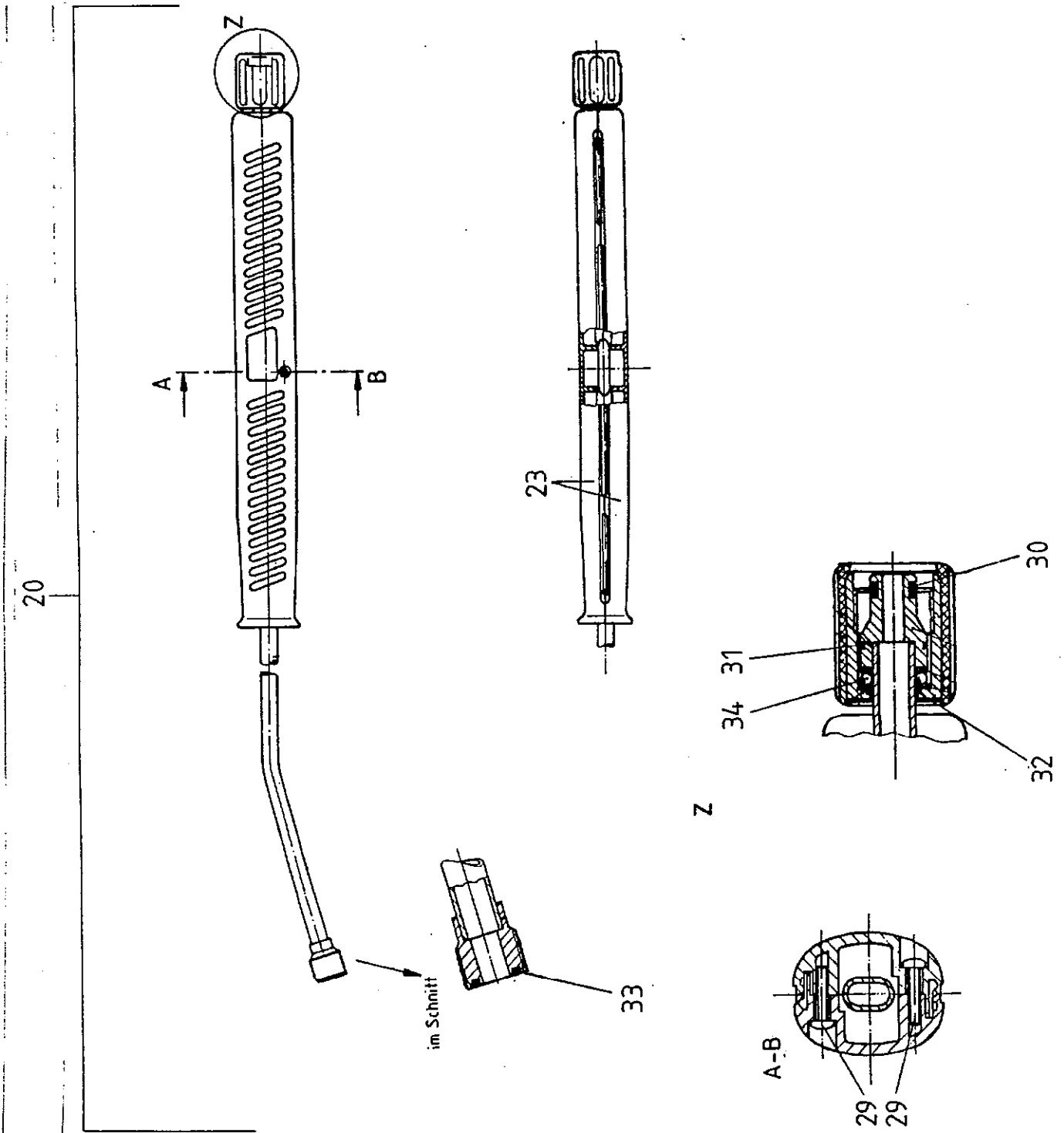
*Neu Pistole ...  
4.775.080*



49  
**KÄRCHER**  
Ersatzteil-Set  
Spare parts kit  
Kit de pièces

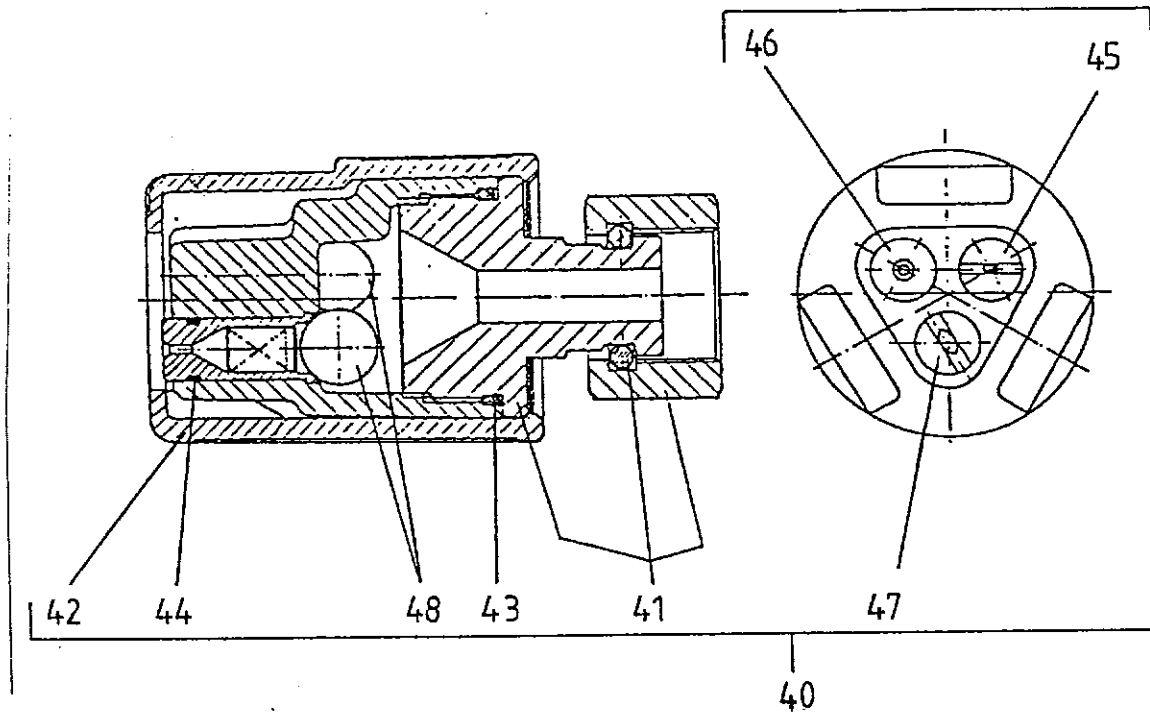
Gruppe: 7 Handspritzpistole  
Group: 7 Trigger gun  
Groupe: 7 Poignee-pistolet

HD 850 ST



Gruppe: 7 Handspritzpistole  
Group: 7 Trigger gun  
Groupe: 7 Poignee-pistolet

HD 850 ST





Gruppe: 7 Handspritzpistole  
 Group: 7 Trigger gun  
 Groupe: 7 Poignee-pistolet

HD 850 ST

Pos.	Benennung Item Description Pos. Designation	Teile-Nr. Part-No. No.piece	Stück Qty. Nbr.
0	Handspritzpistole/ Trigger Gun/ Poignee-Pistolet <i>Pistole al + Schlauch</i>	<i>4775-080</i>	<u>1</u>
1	Stange/ Rod/ Perche	5.107-094.0	1
2	Zapfen/ Trunnion/ Tourillon	5.108-097.0	1
3	Griffpaar/ Grip Pair/ Paire de Poignees	5.321-206.0	1
4	Schraubenfeder/ Coil Spring/ Ressort A Boudin	5.332-157.0	1
5	Verschluss-Schraube/ Screw Plug/ Vis de Fermeture	5.411-067.0	1
6	Knotenstueck/ Strut Attach.fitt./ Ferrure Nodale	5.427-115.0	1
7	Hebel/ Lever/ Levier	5.481-052.0	1
8	Hebel/ Lever/ Levier	5.481-066.0	1
10	Schraube 4,2x22/ Screw 4,2 X 22/ Vis 4,2 X 22	6.303-024.0	6
11	O-Ring 12,42-1,78/ O-Ring 12,42-1,78/ Joint Torique	6.362-480.0 *	1
12	O-Ring 17,12x262/ O-Ring/ Joint Torique	6.362-496.0 *	1
13	O-Ring Kompl./ O-Ring Complete/ Joint Torique Comp.	6.362-571.0 *	1
15	Hd-Schlauch Nw 6/ Hp-Hose/ Tuyau Souple A Hp	6.389-056.0	1
16	Ventilteller/ Valve Head/ Tete de Soupape	5.582-058.0	1
20	Strahlrohr/ Jet Tube/ Lance D'incendie	4.760- <sup>101</sup> <del>162</del> .0	1
23	Griff/ Handle/ Poignee	5.321-150.0	2
29	Schraube 4,2x16/ Screw 4,2 X 16/ Vis 4,2 X 16	6.303-025.0	2
30	Nut-Ring Kpl.1st.r./ Grooved Ring/ Joint En U A Levres	6.362-532.0 *	1
31	O-Ring 17x1,5/ O-Ring/ Joint Torique	6.362-524.0 *	1
32	Dichtring 12x1,5/ Sealing Ring/ Bague D'etancheite	6.362-529.0 *	1
33	O-Ring 10-2/ O-Ring/ Joint Torique	7.362-501.0 *	1
34	Kugel 4 D/ Ball/ Boule	7.401-921.0 *	12

\* Teile sind im Ersatzteil-Set Pos. 49 enthalten  
 Parts included in spare parts kit ref. 49  
 Compris dans le kit de piece pos. 49

Gruppe: 7 Handspritzpistole  
Group: 7 Trigger gun  
Groupe: 7 Poignee-pistolet

HD 850 ST

Pos.	Benennung	Teile-Nr.	Stück
Item	Description	Part-No.	Qty.
Pos.	Designation	No.piece	Nbr.
17	O-Ring Kpl./Ist.-R./ O-Ring/ Joint Torique	6.362-422.0 *	1
40	Duesentraeger 065/ Nozzle Support/ Support de Tuyere	4.764-074.0	1
41	Schraubstutzen/ Screw Socket/ Manchon Filete	4.402-039.0	1
42	Schutzteil/ Protection Part/ Piece de Protection	5.394-213.0	1
43	Scheibe/ Disk/ Disque	5.115-410.0	1
44	O-Ring 6x1/ O-Ring/ Joint Torique	6.362-578.0	1
45	Vollstrduese 00 065/ Solid Spray Nozzle/ Tuyere(Grand Debit)	6.415-471.0	1
46	Flachstrdue. 25 065/ Fan Jet Nozzle/ Tuyere (Jet Plan)	6.415-470.0	1
47	Flachstrahldue.4025/ Nozzle Mouthp. 4025/ Nez de Buse 4025	6.415-467.0	1
48	Stahlkugel 3/8 z/ Steel Ball/ Ball D'acier	7.401-910.0	2
49	Et-Set Hd 850 /Ws/ Spare Parts Kit/	2.880-497.0	1

\* Teile sind im Ersatzteil-Set Pos. 49 enthalten  
Parts included in spare parts kit ref. 49  
Compris dans le kit de piece pos. 49