

**Ersatzteilliste**  
**Spare Parts List**  
**Liste des pièces de rechange**

# **HDS 1295 S ECO**

- 1.028-307.0 HDS 1295 S ECO\*EU-I**
- 1.028-308.0 HDS 1295S ECO\*EU-II**
- 1.028-323.0 HDS 1295 SX ECO\*EU-I**

GRUPPE: 1.0 GEHAEUSE  
GROUP: 1.0 HOUSING  
GRUPPE: 1.0 BOITIER

**A1**

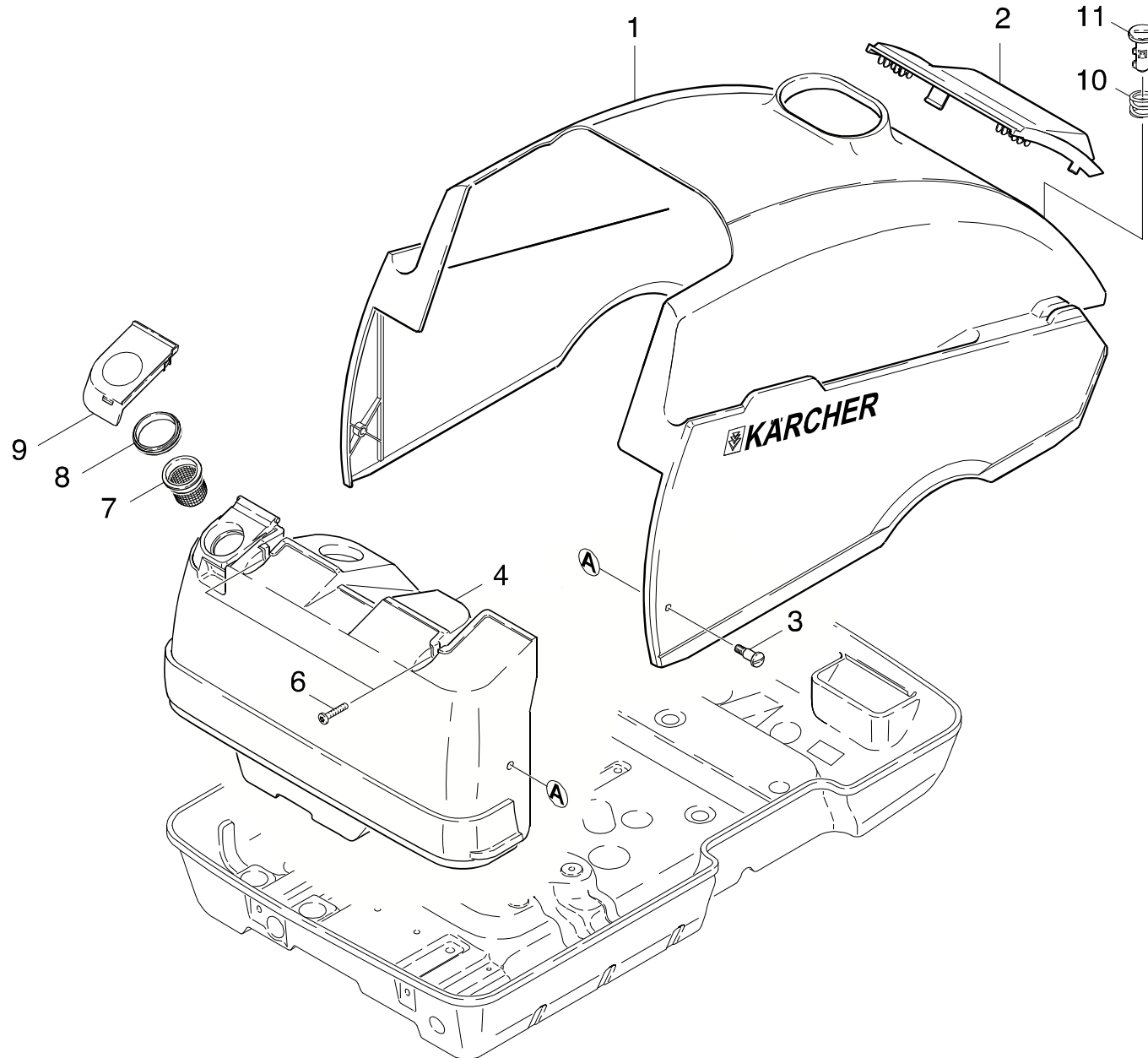
**HDS 1295 S ECO**

**GRUPPE: 1.0 GEHAEUSE**  
**GROUP: 1.0 HOUSING**  
**GRUPPE: 1.0 BOITIER**

GRUPPE: 1.1 HAUBE  
GROUP: 1.1 COVER  
GRUPPE: 1.1 CAPOT

B1

HDS 1295 S ECO



Symbolbeschreibung siehe M16 / symbol description see M16 / désignation de système voir M16 /

GRUPPE: 1.1 HAUBE  
GROUP: 1.1 COVER  
GROUPE: 1.1 CAPOT

C1

HDS 1295 S ECO

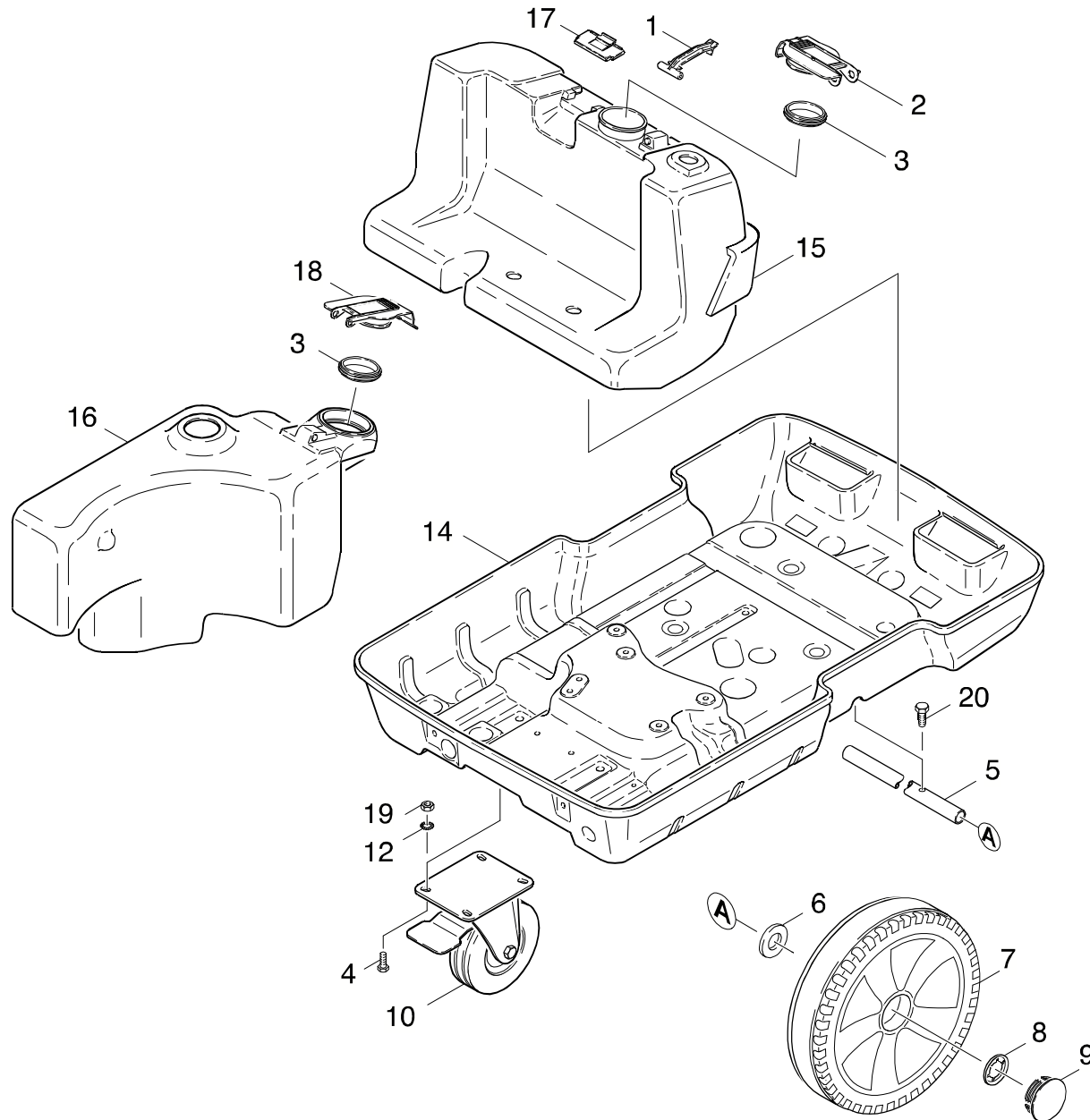
POS. ITM. POS.	BENNENUNG DESCRIPTION DESIGNATION	TEILE-NR. PART-NO. NO.PIECE	STCK QTY. NBR.
1	GERAETEHAUBE KPL. / COVER / COUVERCLE	4.066-337.0	1
2	KLAPPE / FLAP / CLAPET	5.030-834.0	1
3	FORMSCHRAUBE / FORM SCREW / VIS	5.305-204.0	2
4	TANK BRENNSTOFF / TANK / RESERVOIR	5.071-048.0	1
6	LINSENSCHR. M 6X 30 / OVAL HEAD SCREW / VIS A TETE BOMBEE	6.303-141.0	2
7	FILTER / FILTER / FILTRE	5.731-039.0	1
8	DICHTRING / JOINT RING / BAGUE D'ETANCHEITE	5.363-290.0	1
9	DECKEL / COVER / COUVERCLE	5.063-957.0	1
10	SCHRAUBENFEDER / HELICAL SPRING / RESSORT CYLINDRIQUE	5.332-236.0	1
11	BOLZEN / BOLT / BOULON	5.316-318.0	1

"=> xxxxxx" = bis Werknummer / up to serial No. / jusqu' au No. de fabr. / "xxxxxx =>" = ab Werknummer / from serial No. / a partir du No. de fabr. /

GRUPPE: 1.2 GRUNDRAHMEN  
GROUP: 1.2 BASE FRAME  
GRUPPE: 1.2 CADRE

D1

HDS 1295 S ECO



Symbolbeschreibung siehe M16 / symbol description see M16 / désignation de système voir M16 /

GRUPPE: 1.2 GRUNDRAHMEN  
GROUP: 1.2 BASE FRAME  
GROUPE: 1.2 CADRE

E1

HDS 1295 S ECO

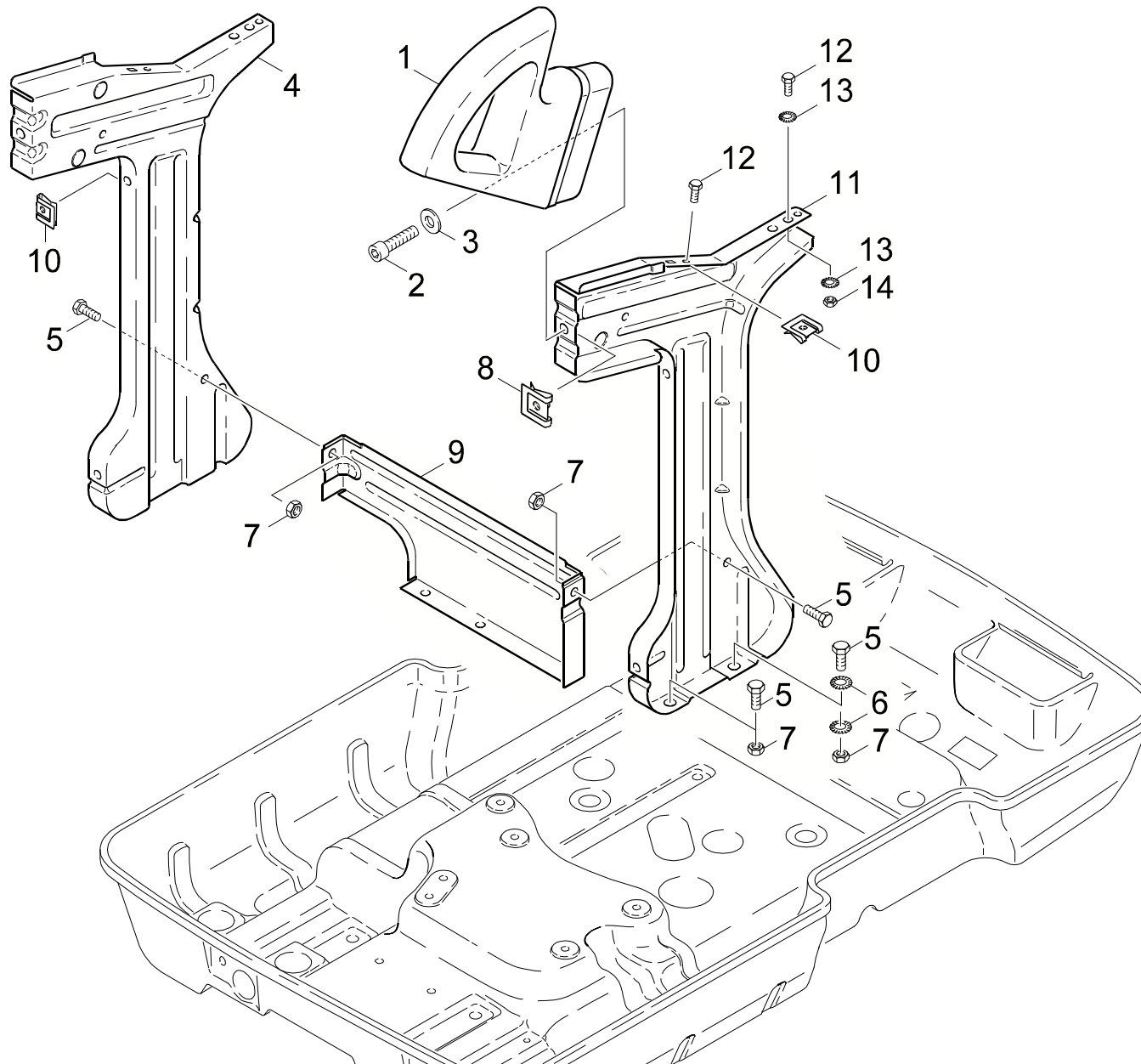
POS. ITM. POS.	BENNENUNG DESCRIPTION DESIGNATION	TEILE-NR. PART-NO. NO.PIECE	STCK QTY. NBR.
1	HALTER / BRACKET / FIXATION	5.042-463.0	1
2	DECKEL / COVER / COUVERCLE	5.063-448.0	1
3	DICHTRING / JOINT RING / BAGUE D'ETANCHEITE	5.363-300.0	2
4	6KT-SCHR. M 8X 16 / HEXAGONAL HEAD SCREW / VIS HEXAGONAL	7.304-395.0	4
5	ACHSE / AXLE / ESSIEU	5.105-163.0	1
6	SCHEIBE 24 / WASHER / RONDELLE	7.312-060.0	2
7	RAD KPL. / WHEEL / ROUE	4.515-092.0	2
8	SICHERUNGSSCHEIBE / LOCK WASHER / RONDELLE D'ARRET	6.343-162.0	2
9	RADKAPPE / WHEEL CAB / ENJOLIVEUR	5.392-038.0	2
10	LENKROLLE 125 / CASTOR / ROUE PIVOTANTE	6.435-071.0	1
12	ZAHNSCHEIBE A 8,4 / LOCK WASHER / ROUE PLATE	7.312-166.0	2
14	RAHMEN / FRAME / CADRE	5.050-046.0	1
15	TANK CHEM / TANK / RESERVOIR	5.071-047.0	1
16	TANK CHEM II / TANK / RESERVOIR	5.071-053.0	1
17	HALTER / BRACKET / FIXATION	5.042-735.0	1
18	DECKEL CHEM 2 / COVER / COUVERCLE	5.063-467.0	1
19	SCHRAUBE M 8X 16 / SCREW / VIS	6.303-031.0	2
20	6KT-MUTTER M 8 / HEXAGON NUT / ECROU HEXAGONAL	7.311-004.0	4

"=> xxxxxx" = bis Werknummer / up to serial No. / jusqu' au No. de fabr. / "xxxxxx =>" = ab Werknummer / from serial No. / a partir du No. de fabr. /

GRUPPE: 1.3 GRIFF  
GROUP: 1.3 HANDLE  
GRUPPE: 1.3 POIGNEE

F1

HDS 1295 S ECO



Symbolbeschreibung siehe M16 / symbol description see M16 / désignation de système voir M16 /

GRUPPE: 1.3 GRIFF  
GROUP: 1.3 HANDLE  
GROUPE: 1.3 POIGNEE

G1

HDS 1295 S ECO

POS. ITM. POS.	BENNENUNG DESCRIPTION DESIGNATION	TEILE-NR. PART-NO. NO.PIECE	STCK QTY. NBR.
1	GRIFF / HANDLE / POIGNEE	5.321-647.0	2
2	ZYL.SCHR. M 8X 45 / CHEESE HEAD SCREW / VIS A TETE CYLINDR.	7.306-049.0	2
3	SCHEIBE 8 / WASHER / RONDELLE	7.312-004.0	2
4	STAENDER LINKS / STAND / MONTANTS	5.052-033.0	1
5	6KT-SCHR. M 8X 16 / HEXAGONAL HEAD SCREW / VIS HEXAGONAL	7.304-395.0	6
6	ZAHNSCHEIBE A 8,4 / LOCK WASHER / ROUE PLATE	7.312-166.0	4
7	6KT-MUTTER M 8 / HEXAGON NUT / ECROU HEXAGONAL	7.311-004.0	6
8	STECKMUTTER M8 / NUT / ECROU	6.310-083.0	2
9	STREBE / STAY / ENTRETOISE	5.055-120.0	1
10	STECKMUTTER M6 / NUT / ECROU	6.310-082.0	4
11	STAENDER RECHTS / STAND / MONTANTS	5.052-035.0	1
12	6KT-SCHR. M 6X 12 / HEXAGONAL HEAD SCREW / VIS HEXAGONAL	7.304-382.0	4
13	ZAHNSCHEIBE A 6,4 / LOCK WASHER / ROUE PLATE	7.312-167.0	4
14	6KT-MUTTER M 6 / HEXAGON NUT / ECROU HEXAGONAL	7.311-003.0	2

"=> xxxxxx" = bis Werknummer / up to serial No. / jusqu' au No. de fabr. / "xxxxxx =>" = ab Werknummer / from serial No. / a partir du No. de fabr. /



GRUPPE: 2.0 PUMPENSATZ  
GROUP: 2.0 PUMP SET  
GRUPPE: 2.0 JEU (ENSEMBLE) DE POMPE

**A2**

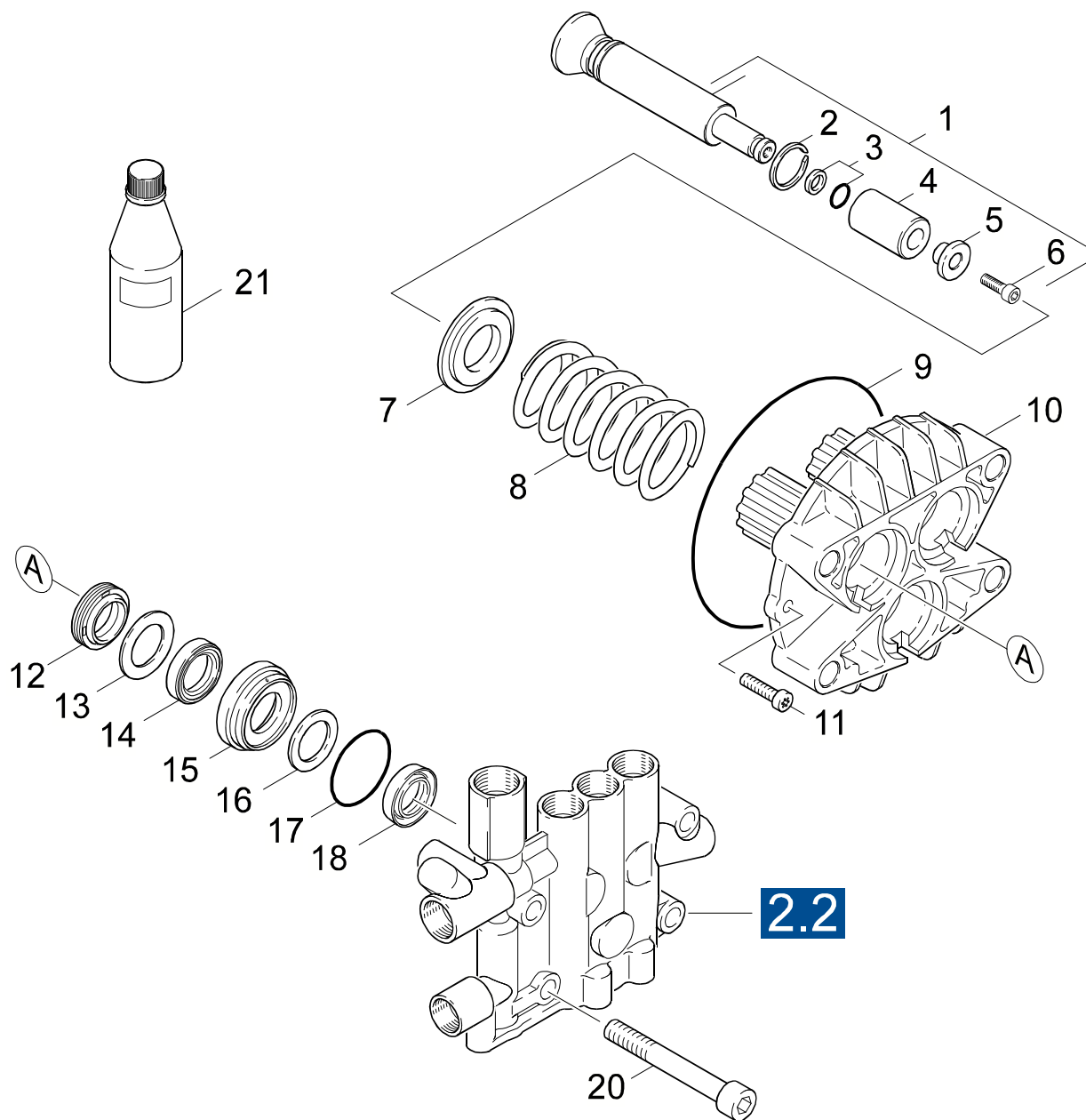
**HDS 1295 S ECO**

**GRUPPE: 2.0 PUMPENSATZ**  
**GROUP: 2.0 PUMP SET**  
**GRUPPE: 2.0 JEU (ENSEMBLE) DE POMPE**

GRUPPE: 2.1 KOLBEN  
GROUP: 2.1 PISTON  
GRUPPE: 2.1 PISTON

**B2**

**HDS 1295 S ECO**



Symbolbeschreibung siehe M16 / symbol description see M16 / désignation de système voir M16 /

GRUPPE: 2.1 KOLBEN  
GROUP: 2.1 PISTON  
GROUPE: 2.1 PISTON

C2

HDS 1295 S ECO

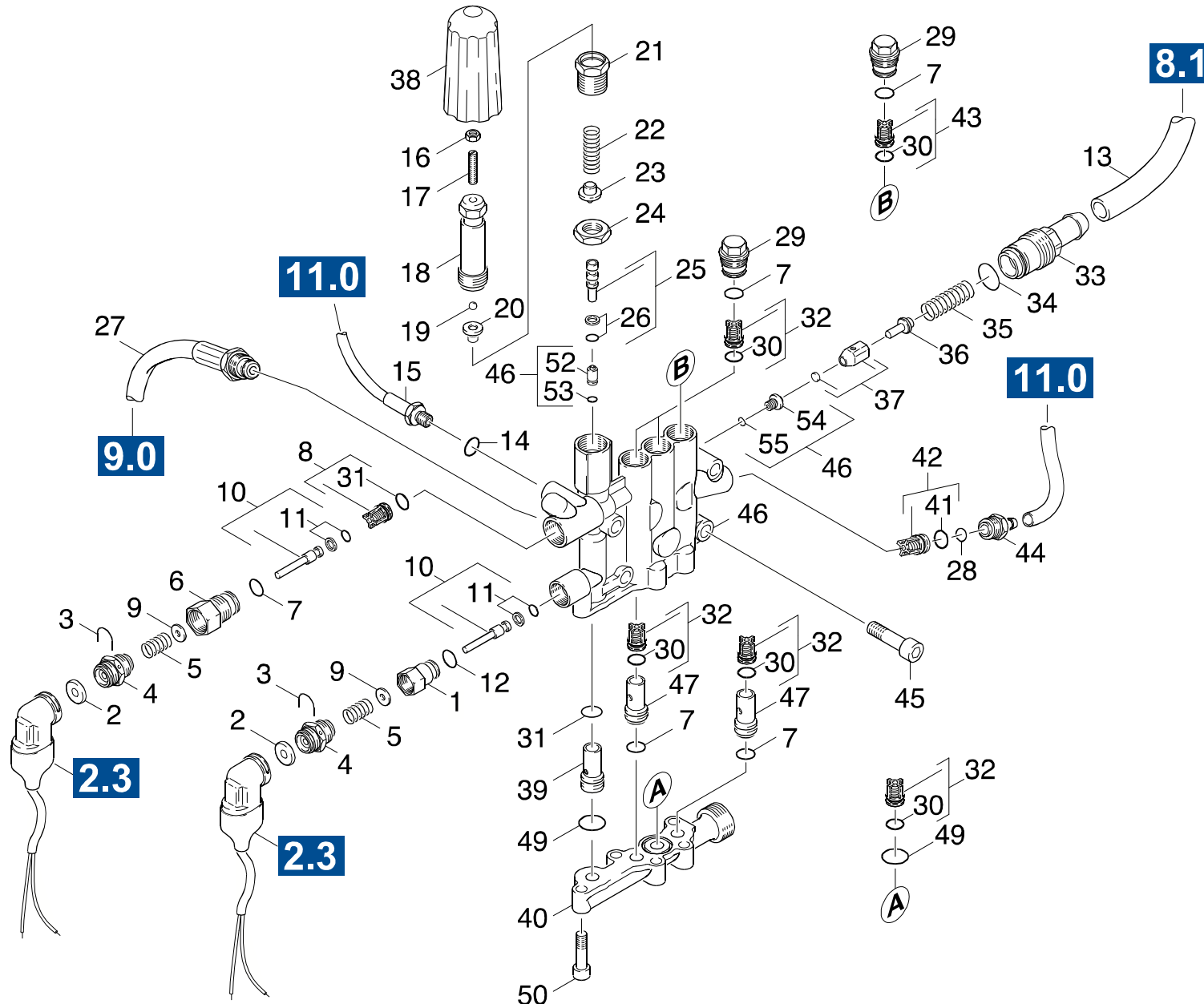
POS. ITM. POS.	BENNENUNG DESCRIPTION DESIGNATION	TEILE-NR. PART-NO. NO.PIECE	STCK QTY. NBR.
1	KOLBEN KPL. / PISTON / PISTON	4.553-135.0	3
2	SPRENGRING WR 22 / RETAINER / CIRCLIP	6.343-142.0	3
3	O-RING KPL./1ST.-R. / GASKET / BAQUE D'ETANCHEITE	6.362-365.0	3
4	KERAMIKHUELSE / CERAMIC POD / DOUILLE CERAMIQUE	5.110-282.0	3
5	HUELSE / SLEEVE / DOUILLE	5.110-484.0	3
6	ZYL.SCHR. M 5X 20 / CHEESE HEAD SCREW / VIS A TETE CYLINDR.	7.306-158.0	3
7	SCHEIBE / WASHER / RONDELLE	5.115-522.0	3
8	SCHRAUBENFEDER / HELICAL SPRING / RESSORT CYLINDRIQUE	5.332-281.0	3
9	O-RING 107,62X 2,62 / GASKET / BAQUE D'ETANCHEITE	6.362-796.0	1
10	GEHAEUSE / HOUSING / BOITIER	5.060-397.0	1
11	SCHRAUBE M 6X 30 / SCREW / VIS	7.306-105.0	2
12	NUTRING 22X30X6/8 / GROOVED RING / JOINT A LEVRES	6.365-059.0	3
13	SCHEIBE / WASHER / RONDELLE	5.115-520.0	3
14	KOMPAKTDI. 22X32X6 / SEAL / JOINT	6.365-056.0	3
15	BUCHSE / BUSH / DOUILLE	5.112-414.0	3
16	SCHEIBE / WASHER / RONDELLE	5.115-521.0	3
17	O-RING 36,0 X 2,0 / GASKET / BAQUE D'ETANCHEITE	6.362-092.0	3
18	NUTRING 22X30X5 / GROOVED RING / JOINT A LEVRES	6.365-055.0	3
20	ZYL.SCHR. M12X100 / CHEESE HEAD SCREW / VIS A TETE CYLINDR.	7.306-155.0	4
21	GETRIEBEOEL 1L / GEAR LUBRICANT OIL / HUILE A ENGRENAGES	6.288-016.0	1
100	ET-SET PUMPE / SPARE PARTS SET / JEU DE PIECES DECHANGE	2.883-914.0	1

"=> xxxxxx" = bis Werknummer / up to serial No. / jusqu' au No. de fabr. / "xxxxxx =>" = ab Werknummer / from serial No. / a partir du No. de fabr. /

GRUPPE: 2.2 ZYLINDERKOPF  
GROUP: 2.2 CYLINDER HEAD  
GROUPE: 2.2 CULASSE

D2

HDS 1295 S ECO



Symbolbeschreibung siehe M16 / symbol description see M16 / désignation de système voir M16 /

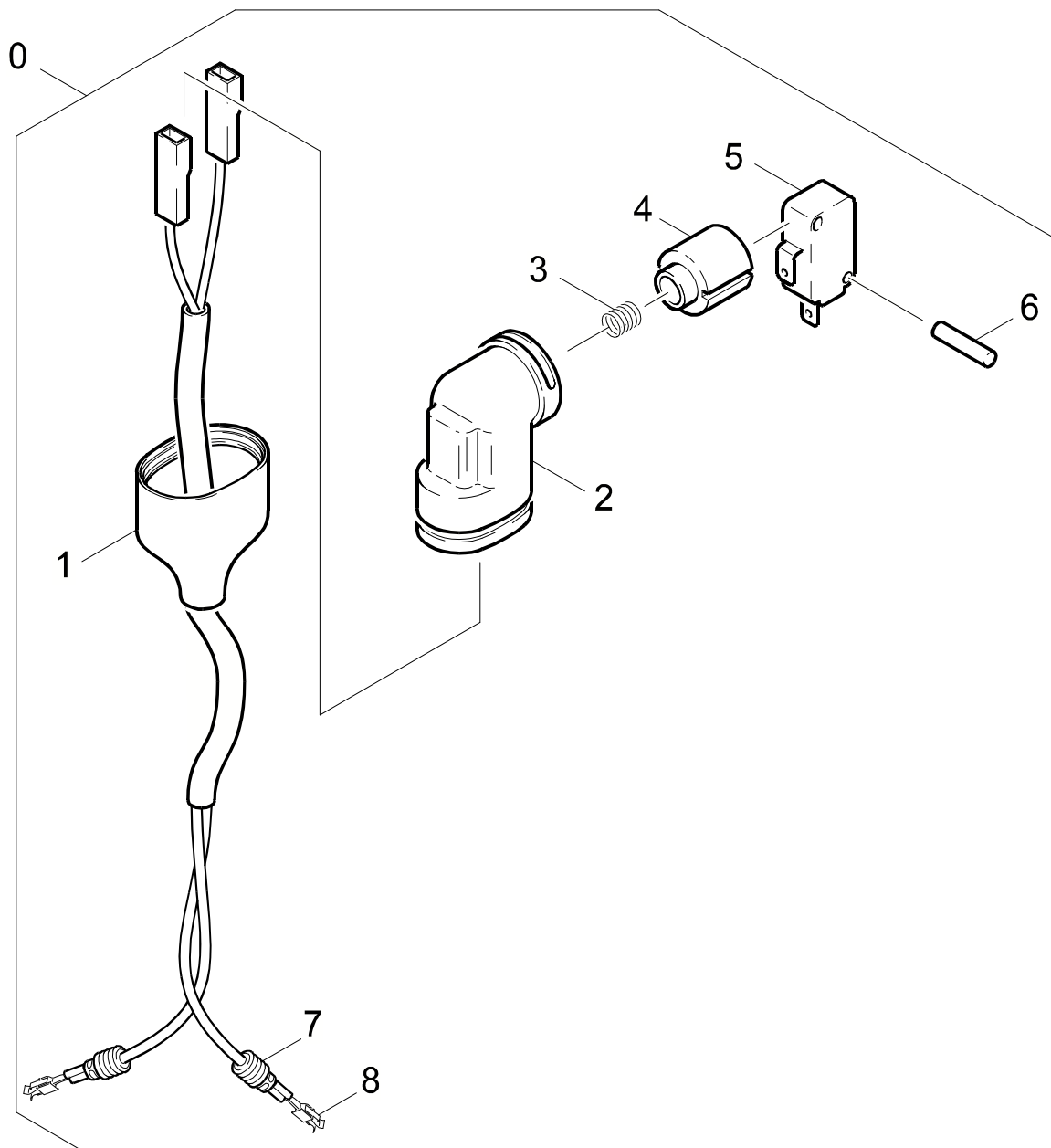
GRUPPE: 2.2 ZYLINDERKOPF  
 GROUP: 2.2 CYLINDER HEAD  
 GROUPE: 2.2 CULASSE

E2

HDS 1295 S ECO

POS. ITM. POS.	BENNENUNNG DESCRIPTION DESIGNATION	TEILE-NR. PART-NO. NO.PIECE	STCK QTY. NBR.	POS. ITM. POS.	BENNENUNNG DESCRIPTION DESIGNATION	TEILE-NR. PART-NO. NO.PIECE	STCK QTY. NBR.
1	VERBINDUNGSSTUECK / JOINING PIECE / PIECE DE JONCTION	5.402-705.0	1	34	O-RING 12,0 X 2,0 / GASKET / BAQUE D'ETANCHEITE	6.362-169.0	1
2	MEMBRANE / DIAPHRAGM / MEMBRANE	5.367-030.0	2	35	SCHRAUBENFEDER / HELICAL SPRING / RESSORT CYLINDRIQUE	5.332-473.0	1
3	BUEGEL / STRAP / ETRIER	5.034-494.0	2	36	VENTILBOLZEN / VALVE PIN / BOULON DE SOUPAPE	5.584-122.0	1
4	VERSCHLUSSSCHRAUBE / CLOSING SCREW / VIS DE FERMETURE	5.411-148.0	2	37	VENTILTELLER KPL. / VALVE DISC / TETE DE SOUPAPE	4.582-019.0	1
5	SCHRAUBENFEDER / HELICAL SPRING / RESSORT CYLINDRIQUE	5.332-268.0	2	38	DREHGRIFF / HANDLE / POIGNEE	5.321-579.0	1
6	VENTILSCHRAUBE / VALVE SCREW / VIS POINTEAU (SOUP.)	5.583-161.0	1	39	HUELSE / SLEEVE / DOUILLE	5.110-867.0	1
7	O-RING 14,0 X 2,0 / GASKET / BAQUE D'ETANCHEITE	6.362-481.0	6	40	VENTILGEHAEUSE / VALVE HOUSING / CORPS DE SOUPAPE	5.587-202.0	1
8	VENTIL KPL. / VALVE / SOUPAPE	4.580-262.0	1	41	O-RING 10 X 2,2 / GASKET / BAQUE D'ETANCHEITE	6.362-077.0	1
9	SCHEIBE / WASHER / RONDELLE	5.115-796.0	2	42	VENTIL KOMPL. / VALVE / SOUPAPE	4.580-349.0	1
10	KOLBEN KPL. / PISTON / PISTON	4.553-197.0	2	43	VENTIL KPL. M.SCHLITZ / VALVE / SOUPAPE	4.580-589.0	1
11	O-RING KPL./1ST.-R. / GASKET / BAQUE D'ETANCHEITE	6.362-368.0	2	44	SCHLAUCHNIPPEL / HOSE STEM / RACCORD DE FLEXIBLE	5.443-474.0	1
12	O-RING 4,47X 1,78 / GASKET / BAQUE D'ETANCHEITE	6.362-853.0	1	45	ZYL.SCHR. M12X100 / CHEESE HEAD SCREW / VIS A TETE CYLINDR.	7.306-155.0	4
13	SCHLAUCH DN15 / HOSE / TUYAU FLEXIBLE	6.388-167.0	1	46	ZYLINDERKOPF KPL. / CYLINDER HEAD / CULASSE	4.550-606.0	1
	<b>ALS METERWARE BESTELLEN/TO ORDER AS CUT GOODS/COMMANDE COMME MARCHANDISE AU METRE</b>			47	HUELSE / SLEEVE / DOUILLE	5.110-853.0	2
14	DICHTRING 10 X13,5 / JOINT RING / BAGUE D'ETANCHEITE	7.362-003.0	1	49	O-RING 20,0 X 1,5 / GASKET / BAQUE D'ETANCHEITE	6.362-547.0	2
15	HD-SCHLAUCH / HIGH PRESSURE HOSE / TUYAU FLEXIBLE HAUTE PRE.	6.389-635.0	1	50	ZYL.SCHR. M 8X 30 / CHEESE HEAD SCREW / VIS A TETE CYLINDR.	7.306-043.0	5
16	6KT-MUTTER M 5 / HEXAGON NUT / ECROU HEXAGONAL	7.311-002.0	1	52	VENTILSITZ / VALVE SEAT / SIEGE DE SOUPAPE	5.581-239.0	1
17	GEW.STIFT M 5X 40 / THREADED PIN / VIS SANS TETE	7.307-017.0	1	53	O-RING 5 X 1,5 / GASKET / BAQUE D'ETANCHEITE	6.362-386.0	1
18	6KT SCHRAUBE / HEXAGON / HEXAGONAL	5.304-070.0	1	54	VENTILSITZ / VALVE SEAT / SIEGE DE SOUPAPE	5.581-231.0	1
19	KUGEL 5,0 KL3 / BALL / BOULE	7.401-931.0	1	55	O-RING 6,0 X 1,5 / GASKET / BAQUE D'ETANCHEITE	6.362-703.0	1
20	VENTILTELLER / VALVE DISC / TETE DE SOUPAPE	5.582-121.0	1	100	ET-SET PUMPE / SPARE PARTS SET / JEU DE PIECES DECHANGE	2.883-914.0	1
21	HOHLSCHRAUBE / HOLLOW SCREW / BOULON CREUX	5.404-076.0	1				
22	SCHRAUBENFEDER / HELICAL SPRING / RESSORT CYLINDRIQUE	5.332-444.0	1				
23	VENTILBOLZEN / VALVE PIN / BOULON DE SOUPAPE	5.584-114.0	1				
24	6KT MUTTER / HEXAGON / HEXAGONAL	5.311-204.0	1				
25	KOLBEN KPL. / PISTON / PISTON	4.553-198.0	1				
26	O-RING KPL./1ST.-R. / GASKET / BAQUE D'ETANCHEITE	6.362-468.0	1				
27	SCHLAUCH SDS / HOSE / TUYAU FLEXIBLE	4.440-766.0	1				
28	O-RING 10,0 X 2,0 / GASKET / BAQUE D'ETANCHEITE	6.362-151.0	1				
29	VENTILSCHRAUBE / VALVE SCREW / VIS POINTEAU (SOUP.)	5.583-146.0	3				
30	O-RING 13,0 X 2,0 / GASKET / BAQUE D'ETANCHEITE	6.363-003.0	6				
31	O-RING 13,0 X 2,0 / GASKET / BAQUE D'ETANCHEITE	6.362-381.0	2				
32	VENTIL KPL. / VALVE / SOUPAPE	4.580-329.0	5				
33	VENTILSCHRAUBE / VALVE SCREW / VIS POINTEAU (SOUP.)	5.583-168.0	1				

"=> xxxxxx" = bis Werknummer / up to serial No. / jusqu' au No. de fabr. / "xxxxxx =>" = ab Werknummer / from serial No. / a partir du No. de fabr. /



Symbolbeschreibung siehe M16 / symbol description see M16 / désignation de système voir M16 /

GRUPPE: 2.3 SCHALTER  
GROUP: 2.3 SWITCH  
GRUPPE: 2.3 INTERRUPTEUR

G2

HDS 1295 S ECO

POS. ITM. POS.	BENNENUNG DESCRIPTION DESIGNATION	TEILE-NR. PART-NO. NO.PIECE	STCK QTY. NBR.
0	SCHALTER KPL. / SWITCH / INTERRUPTEUR	4.744-153.0	2
1	STUEWKABEL / TRAILING CABLE / PENDENTIF	6.648-385.0	1
2	HALTER / BRACKET / FIXATION	5.042-860.0	1
3	FEDER / SPRING / RESSORT	5.332-322.0	1
4	KONSOLE / BRACKET / CONSOLE	5.053-051.0	1
5	MIKROSCHALTER / MICRO SWITCH / MICRORUPTEUR	6.631-807.0	1
6	ZYL.KERBSTI. 3,0X20 / GROOVED PIN / GOUPILLE CAN.	7.314-664.0	1
7	EINZELADERABDICHT. / SEAL / ETOUPAGE	6.647-235.0	2
8	KONTAKT / CONTACT / CONTACT	6.647-234.0	2

"=> xxxxxx" = bis Werknummer / up to serial No. / jusqu' au No. de fabr. / "xxxxxx =>" = ab Werknummer / from serial No. / a partir du No. de fabr. /

GRUPPE: 3.0 MOTOR  
GROUP: 3.0 MOTOR  
GRUPPE: 3.0 MOTEUR

**A3**

**HDS 1295 S ECO**

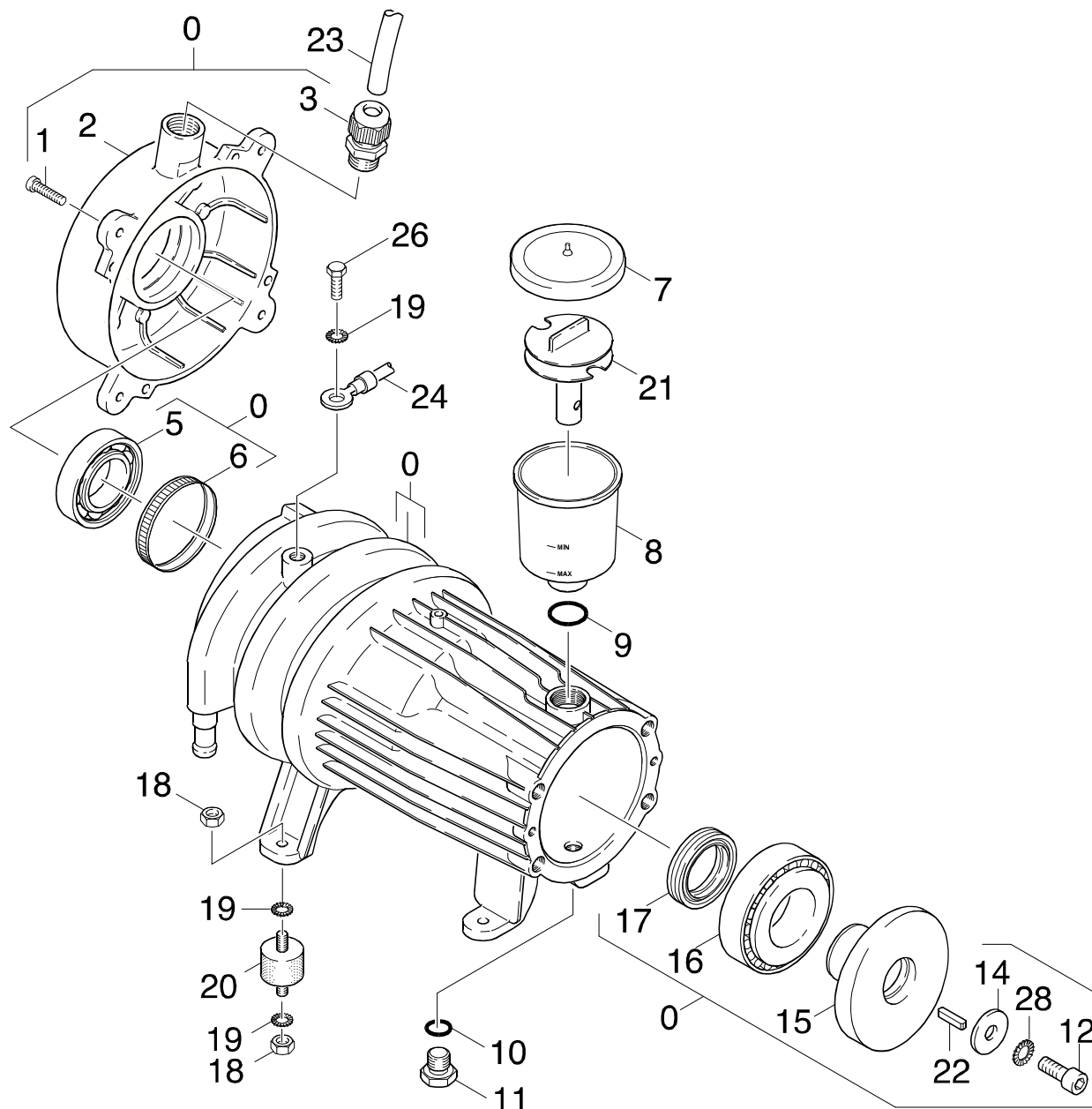
**GRUPPE: 3.0 MOTOR**  
**GROUP: 3.0 MOTOR**  
**GRUPPE: 3.0 MOTEUR**



GRUPPE: 3.0 MOTOR  
GROUP: 3.0 MOTOR  
GRUPPE: 3.0 MOTEUR

B3

HDS 1295 S ECO



Symbolbeschreibung siehe M16 / symbol description see M16 / désignation de système voir M16 /

GRUPPE: 3.0 MOTOR  
GROUP: 3.0 MOTOR  
GROUPE: 3.0 MOTEUR

C3

HDS 1295 S ECO

POS. ITM. POS.	BENNENUNG DESCRIPTION DESIGNATION	TEILE-NR. PART-NO. NO.PIECE	STCK QTY. NBR.
0	MOTOR KPL. / MOTOR / MOTEUR	4.623-211.0	1
1	SCHRAUBE M 6X 20 / SCREW / VIS	7.303-048.0	4
2	DECKEL / COVER / COUVERCLE	5.063-452.0	1
3	KABELVERSCHR. PG16 / CABLE CONNECTOR / RACCORD DE CABLES	6.641-356.0	1
5	KUGELLAGER 6305-2Z / BALL BEARING / ROULEMENT A BILLE	6.401-253.0	1
6	TOLERANZRING 62X10 / TOLERANCE RING / BAGUE	6.343-010.0	1
7	DECKEL / COVER / COUVERCLE	5.063-189.0	1
8	BEHAELTER / TANK / BAC	5.070-048.0	1
9	O-RING 22,3 X 2,4 / GASKET / BAQUE D'ETANCHEITE	6.362-168.0	1
10	O-RING 11,0 X 2,0 / GASKET / BAQUE D'ETANCHEITE	6.363-273.0	1
11	VERSCHLUSSSCHRAUBE / CLOSING SCREW / VIS DE FERMETURE	5.411-100.0	1
12	ZYL.SCHR. M 8X 20 / CHEESE HEAD SCREW / VIS A TETE CYLINDR.	7.306-041.0	1
14	SCHEIBE / WASHER / RONDELLE	5.115-565.0	1
15	TAUMELSCHEIBE / SWASH PLATE / DISQUE EN NUTATION	5.120-235.0	1
16	KEGELROLLENLAGER 41 / TAPER ROLLER BEARIN / PALIER A ROULEAUX	6.401-225.0	1
17	RWDR A35 X 52 X 7 / ROTARY SHAFT SEAL / JOINT (ARBRE)	7.367-009.0	1
18	6KT-MUTTER M 8 / HEXAGON NUT / ECROU HEXAGONAL	7.311-004.0	8
19	ZAHNSCHEIBE A 8,4 / LOCK WASHER / ROUE PLATE	7.312-166.0	9
20	GUMMIPUFFER M8 / RUBBER BUFFER / BUTOIR CAOUTCHOUC	6.339-060.0	4
21	FORMTEIL / MOULDED PART / PREFORME	5.030-389.0	1
22	PASSFEDER 8X 7X 25 / SPRING / RESSORT D'ADJUSTAGE	7.318-035.0	1
23	ISOLIERSCHLAUCH 10 / INSULATING HOSE / TUYAU ISOLANT	6.642-011.0	2
	<b>ALS METERWARE BESTELLEN/TO ORDER AS CUT GOODS/COMMANDE COMME MARCHANDISE AU METRE</b>		
24	KABEL / CABLE / CABLE	4.820-430.0	1
26	SCHRAUBE M 8X 16 / SCREW / VIS	6.303-031.0	1
28	ZAHNSCHEIBE A 8,4 / LOCK WASHER / ROUE PLATE	7.312-159.0	1

"=> xxxxxx" = bis Werknummer / up to serial No. / jusqu' au No. de fabr. / "xxxxxx =>" = ab Werknummer / from serial No. / a partir du No. de fabr. /

GRUPPE: 4.0 GEBLAESE  
GROUP: 4.0 BLOWER  
GRUPPE: 4.0 VENTILATEUR

**A4**

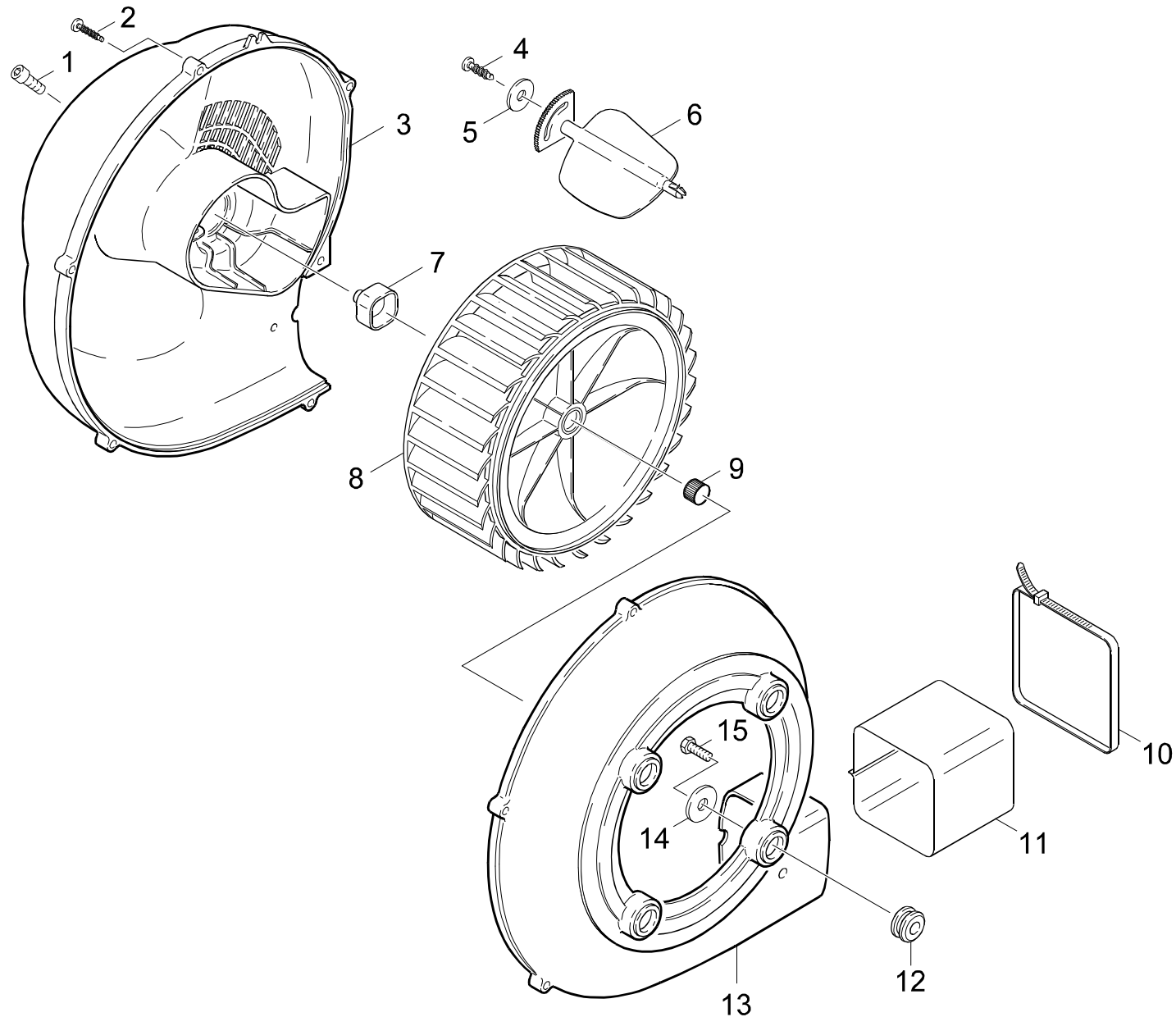
**HDS 1295 S ECO**

**GRUPPE: 4.0 GEBLAESE**  
**GROUP: 4.0 BLOWER**  
**GRUPPE: 4.0 VENTILATEUR**

GRUPPE: 4.0 GEBLAESE  
GROUP: 4.0 BLOWER  
GRUPPE: 4.0 VENTILATEUR

**B4**

**HDS 1295 S ECO**



Symbolbeschreibung siehe M16 / symbol description see M16 / désignation de système voir M16 /

GRUPPE: 4.0 GEBLAESE  
GROUP: 4.0 BLOWER  
GROUPE: 4.0 VENTILATEUR

C4

HDS 1295 S ECO

POS. ITM. POS.	BENNENUN DESCRIPTION DESIGNATION	TEILE-NR. PART-NO. NO.PIECE	STCK QTY. NBR.
1	SCHRAUBE M 6X 16 / SCREW / VIS	7.306-090.0	1
2	6KT-SCHR. M 6X 50 / HEXAGONAL HEAD SCREW / VIS HEXAGONAL	7.304-084.0	6
3	GEBLAESEDECKEL / COVER (BLOWER) / COUVERCLE (VENTILATEUR)	5.063-457.0	1
4	BL.SCHR. ST4,8X16 / SHEET METAL SCREW / VIS A TOLE	7.303-077.0	1
5	SCHEIBE 5 / WASHER / RONDELLE	7.312-278.0	1
6	LUFTKLAPPE / AIR FLAP / VOLET D'ADMIS.D'AIR	5.606-005.0	1
7	KUPPLUNGSTEIL / COUPLING ELEMENT / PIECE D'ACCOUPL.	5.471-060.0	1
8	LUEFTERRAD / BLOWER WHEEL / ROUE DE VENTILATEUR	5.600-045.0	1
9	TOLERANZRING D17X16 / TOLERANCE RING / BAGUE	6.343-027.0	1
10	SPANNBAND / BANNER / BANDEROLE	6.388-608.0	2
11	TUCHMANSCHETTE / CLOTH COLLAR / MANCHETTE	5.178-026.0	1
12	GUMMIRING / RUBBER RING / RONDELLE CAOUTCHOUC	5.379-019.0	4
13	GEBLAESEGEHAEUSE / HOUSING (BLOWER) / CARTER (VENTILATEUR)	5.605-168.0	1
14	SCHEIBE 6 / WASHER / RONDELLE	7.312-260.0	4
15	SCHRAUBE M 6X 20 / SCREW / VIS	7.303-048.0	4

"=> xxxxxx" = bis Werknummer / up to serial No. / jusqu' au No. de fabr. / "xxxxxx =>" = ab Werknummer / from serial No. / a partir du No. de fabr. /

GRUPPE: 5.0 BRENNSTOFFSYSTEM  
GROUP: 5.0 FUEL SYSTEM  
GRUPPE: 5.0 SYSTEME DE COMBUSTIBLE

**A5**

**HDS 1295 S ECO**

**GRUPPE: 5.0 BRENNSTOFFSYSTEM**  
**GROUP: 5.0 FUEL SYSTEM**  
**GRUPPE: 5.0 SYSTEME DE COMBUSTIBLE**



GRUPPE: 5.1 BRENNSTOFFPUMPE  
GROUP: 5.1 FUEL PUMP  
GROUPE: 5.1 POMPE DE COMBUSTIBLE

C5

HDS 1295 S ECO

POS.	BENNENUNG	TEILE-NR.	STCK
ITM.	DESCRIPTION	PART-NO.	QTY.
POS.	DESIGNATION	NO.PIECE	NBR.
1	SCHLAUCHSCHELLE / HOSE BAND CLIP / COLLIER DE SERRAGE	6.389-768.0	1
2	SCHLAUCH / HOSE / TUYAU FLEXIBLE	6.389-534.0	1
	<b>ALS METERWARE BESTELLEN/TO ORDER AS CUT GOODS/COMMANDE COMME MARCHANDISE AU METRE</b>		
3	UE-MUTTER A 4-LL / UNION NUT / ECROU RACOURD	6.389-262.0	1
4	SCHNEIDRING D.4 / CUTTING RING / BAGUE COUPANTE	6.389-263.0	1
5	SCHRAUBSTUTZEN / SCREW UNION / RACCORD FILETE	6.389-261.0	1
7	O-RING 56,0 X 4,0 / GASKET / BAQUE D'ETANCHEITE	6.362-855.0	1
8	ROHRLEITUNG / PIPELINES / CONDUITE	4.421-630.0	1
9	EINZELADERABDICHT. / SEAL / ETOUPAGE	6.647-235.0	4
10	KONTAKT / CONTACT / CONTACT	6.647-234.0	4
11	SCHLAUCHNIPPEL / HOSE STEM / RACCORD DE FLEXIBLE	6.472-927.0	2

"=> xxxxxx" = bis Werknummer / up to serial No. / jusqu' au No. de fabr. / "xxxxxx =>" = ab Werknummer / from serial No. / a partir du No. de fabr. /





GRUPPE: 5.2 BRENNSTOFFPUMPE  
GROUP: 5.2 FUEL PUMP  
GROUPE: 5.2 POMPE DE COMBUSTIBLE

E5

HDS 1295 S ECO

POS. ITM. POS.	BENNENUNNG DESCRIPTION DESIGNATION	TEILE-NR. PART-NO. NO.PIECE	STCK QTY. NBR.
0	BRENNSTOFFPUMPE / FUEL PUMP / POMPE DE COMBUSTIBLE	6.472-925.0	1
1	ENTLUEFTUNGSSCHR. / VENT SCREW / VIS D'AIR	6.472-107.0	1
2	O-RING 5,0 X 1,8 / GASKET / BAQUE D'ETANCHEITE	6.472-106.0	1
3	O-RING 32,0 X 1,6 / GASKET / BAQUE D'ETANCHEITE	6.472-111.0	1
4	O-RING 10,0 X 2,4 / GASKET / BAQUE D'ETANCHEITE	6.472-112.0	1
5	FILTEREINSATZ / FILTER CARTRIDGE / CARTOUCHE FILTRANTE	6.472-113.0	1
6	FILTERGEHAEUSE KPL. / FILTER CASE / BATI DE FILTRE	6.472-123.0	1
7	SCHUTZKAPPE / PROTECTIVE CAP / CAPOT PROTECTION	6.472-122.0	1
8	FEDERGEHAEUSE / SPRING HOUSING / BARILLET	6.472-109.0	1
10	STIFT / PIN / CHEVILLE	6.472-108.0	1
12	MEMBRANE / DIAPHRAGM / MEMBRANE	6.472-128.0	1
14	RAENDELMUTTER / KNURLED NUT / ECROU MOLETE	6.472-340.0	1
17	O-RING 12,0 X 1,5 / GASKET / BAQUE D'ETANCHEITE	6.472-125.0	1
18	MAGNETVENTIL KPL. / SOLENOID VALVE / ELECTROVANNE	6.472-408.0	1
19	O-RING 28,5 X 1,6 / GASKET / BAQUE D'ETANCHEITE	6.472-120.0	1
22	ACHSENDICHTUNG / SHAFT SEAL / ETOUPAGE D'ESSIEU	6.472-105.0	1

"=> xxxxxx" = bis Werknummer / up to serial No. / jusqu' au No. de fabr. / "xxxxxx =>" = ab Werknummer / from serial No. / a partir du No. de fabr. /

GRUPPE: 6.0 E-GERAETESCHRANK  
GROUP: 6.0 ELECTRIC CONTROL BOX  
GRUPPE: 6.0 COFFRET ELECTRIQUE

**A6**

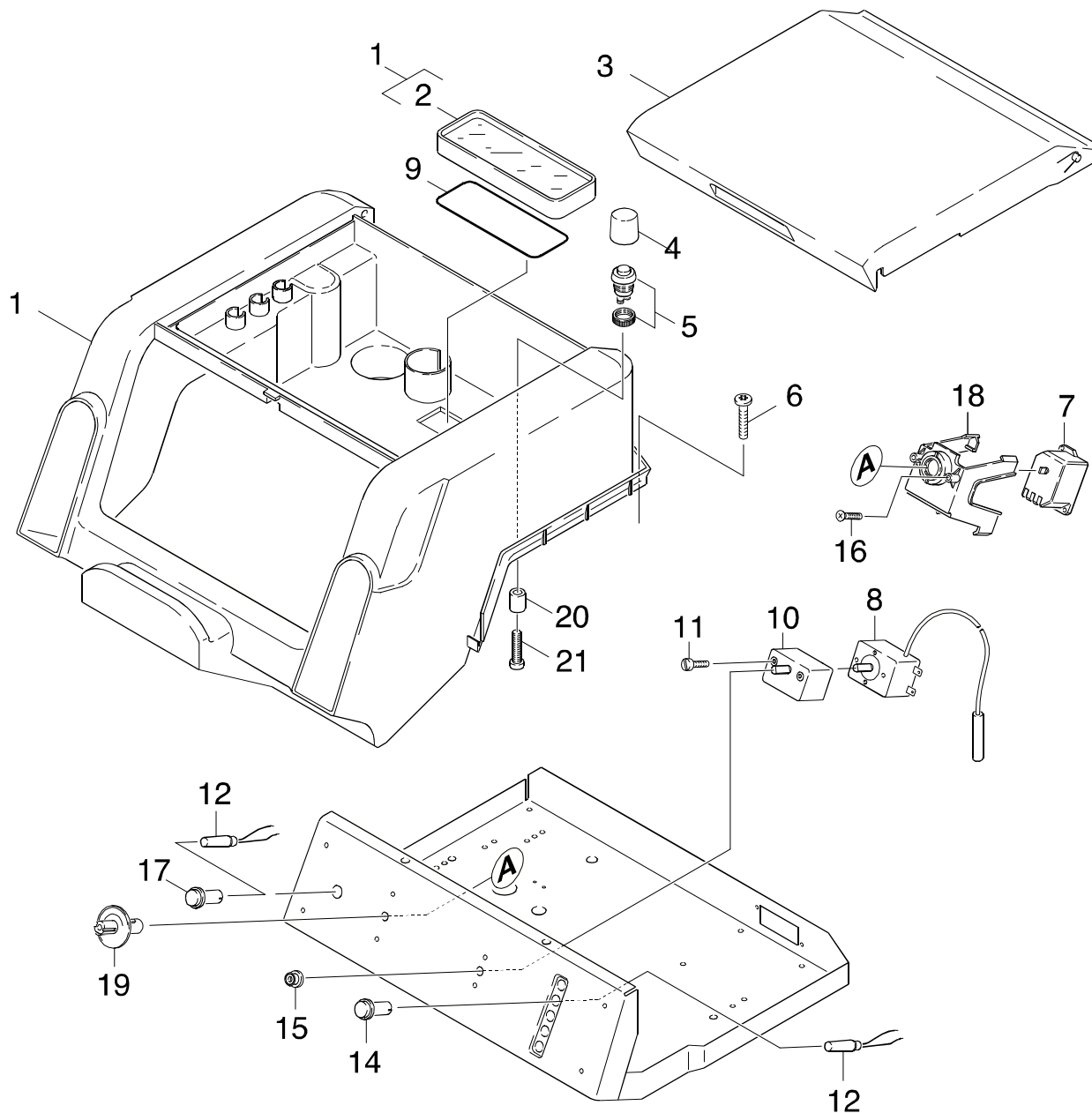
**HDS 1295 S ECO**

**GRUPPE: 6.0 E-GERAETESCHRANK**  
**GROUP: 6.0 ELECTRIC CONTROL BOX**  
**GRUPPE: 6.0 COFFRET ELECTRIQUE**

GRUPPE: 6.1 OBERTEIL  
GROUP: 6.1 TOP PART  
GRUPPE: 6.1 PARTIE SUPERIEUR

B6

HDS 1295 S ECO



Symbolbeschreibung siehe M16 / symbol description see M16 / désignation de système voir M16 /

GRUPPE: 6.1 OBERTEIL  
GROUP: 6.1 TOP PART  
GROUPE: 6.1 PARTIE SUPERIEUR

C6

HDS 1295 S ECO

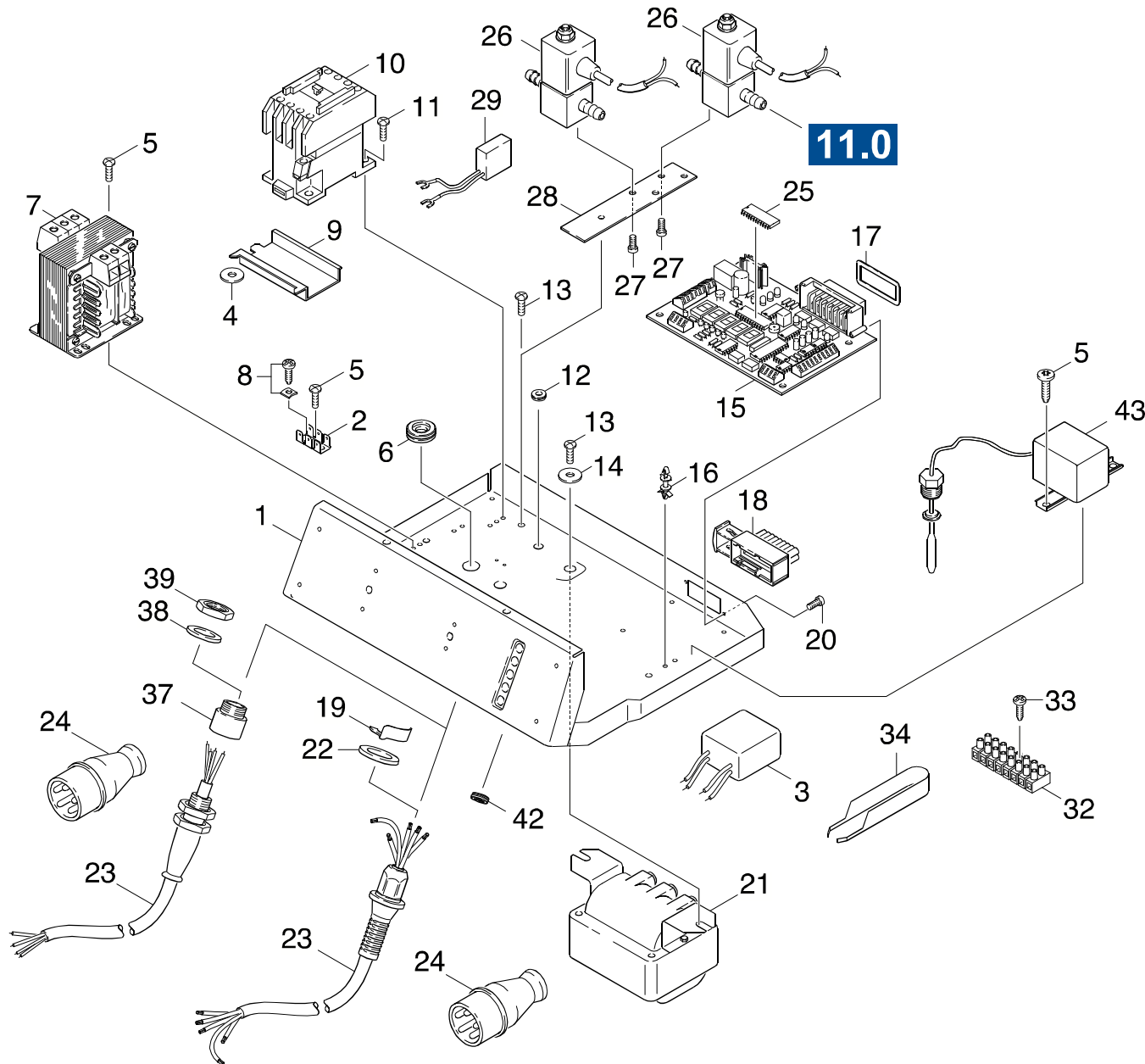
POS. ITM. POS.	BENNENUNG DESCRIPTION DESIGNATION	TEILE-NR. PART-NO. NO.PIECE	STCK QTY. NBR.
1	HAUBE KPL. / COVER / CAPOT	4.066-295.0	1
2	DECKEL / COVER / COUVERCLE	5.063-498.0	1
3	KLAPPE / FLAP / CLAPET	5.031-913.0	1
4	GUMMIKAPPE / RUBBER CAP / CAPUCHON EN CAOUTCHOUC	6.368-057.0	1
5	DRUCKTASTER / PUSH BUTTON / BOUTON-POUSSOIR	6.634-106.0	1
6	SCHRAUBE M 5X 55 / SCREW / VIS	7.303-045.0	2
7	MOTORSCHUTZSCHALTER / MOTOR PROT. SWITCH / RELAIS (MOTEUR)	6.631-196.0	1
	<b>/ 1.028-307.0 / -323.0</b>		
7	MOTORSCHUTZSCHALTER / MOTOR PROT. SWITCH / RELAIS (MOTEUR)	6.631-428.0	1
	<b>/ 1.028-308.0</b>		
8	TEMPERATURREGLER / THERMOSTAT / THERMOSTAT	6.686-173.0	1
9	MOOSGUMMI / CELLULAR RUBBER / CAOUTCH. CELLUL.	6.273-190.0	1
10	SCHALTER / SWITCH / INTERRUPTEUR	6.630-368.0	1
11	SCHRAUBE M 4X 6 / SCREW / VIS	7.306-236.0	2
12	SIGNALLEUCHE / PILOT LAMP / LAMPE TEMOIN	6.651-275.0	6
14	LINSENGEHAEUSE ROT / HOUSING / CARTER	6.651-316.0	5
15	PROFILDICHTUNG / SEAL / ETOUPE PROFILE	5.365-152.0	1
16	SENKSCHR. 4 X 16 / FLAT HEADED SCREW / VIS A TETE CONIQUE	7.303-125.0	2
17	LINSENGEHAEUSE / HOUSING / CARTER	6.651-421.0	1
18	HALTER (CONDOR-SCHA / BRACKET / FIXATION	5.044-412.0	1
19	WELLE (CONDOR-SCHAL / SHAFT / ARBRE	5.100-335.0	1
20	DISTANZHUELSE / SPACER SLEEVE / ENTRETOISE	6.347-076.0	1
21	SCHRAUBE M 4X 20 / SCREW / VIS	7.303-034.0	1

"=> xxxxxx" = bis Werknummer / up to serial No. / jusqu' au No. de fabr. / "xxxxxx =>" = ab Werknummer / from serial No. / a partir du No. de fabr. /

GRUPPE: 6.2 UNTERTEIL  
GROUP: 6.2 BOTTOM  
GRUPPE: 6.2 PARTIE INFÉRIÈRE

D6

HDS 1295 S ECO



Symbolbeschreibung siehe M16 / symbol description see M16 / désignation de système voir M16 /

GRUPPE: 6.2 UNTERTEIL  
 GROUP: 6.2 BOTTOM  
 GROUPE: 6.2 PARTIE INFERIEURE

E6

HDS 1295 S ECO

POS. ITM. POS.	BENNENUNNG DESCRIPTION DESIGNATION	TEILE-NR. PART-NO. NO.PIECE	STCK QTY. NBR.	POS. ITM. POS.	BENNENUNNG DESCRIPTION DESIGNATION	TEILE-NR. PART-NO. NO.PIECE	STCK QTY. NBR.
1	BLECHTEIL / PLATE / TOLE	5.049-656.0	1	27	BL.SCHR. ST4,2X13 / SHEET METAL SCREW / VIS A TOLE	7.303-072.0	4
2	FLACHSTECKER / PLUG / FICHE PLATE	6.641-270.0	1	28	HALTER / BRACKET / FIXATION	5.042-744.0	1
3	FUNKENTSTOERFILTER / INTERFERENCE SUPPRESSOR / FILTRE ANTIPARASITE	6.661-229.0	1	29	ENTSTOERGLIED 24V / INTERFERENCE UNIT / ELEMENT D'ANTIPARASITE	6.641-802.0	1
4	SCHEIBE 5 / WASHER / RONDELLE	7.312-282.0	1	32	KLEMMLEISTE / STRIP TERMINAL / BORNE PLATE	6.643-249.0	1
5	SCHRAUBE M 4X 8 / SCREW / VIS	7.303-030.0	4	33	SCHRAUBE M 3X 20 / SCREW / VIS	7.303-029.0	4
6	PROFILDICHTUNG / SEAL / ETOUPE PROFILE	5.365-158.0	1	34	WERKZEUG / TOOL / OUTIL MONTEUR	5.901-134.0	1
7	STEUERTRAFO 40VA / TRANSFORMER / TRANSFORMATEUR	6.622-021.0	1	37	ERWEITERUNGSSTUECK / ADAPTOR / PIECE DE EXTENSION	6.641-639.0	1
8	SCHRAUBE M4X10 / SCREW / VIS	6.303-317.0	2		<b>/ 1.028-308.0</b>		
9	MONTAGETEIL / MOUNTING PART / PIECE MONTAGE	5.802-300.0	1	38	SCHEIBE / WASHER / RONDELLE	5.115-520.0	1
10	SCHUETZ / CONTACTOR / CONTACTEUR	6.632-356.0	1		<b>/ 1.028-308.0</b>		
11	SCHRAUBE M 4X 12 / SCREW / VIS	7.303-032.0	1	39	GEGENMUTTER PG16 / COUNTERNUT / CONTRE-ECROU	6.641-484.0	1
12	DURCHFUEHR.TUELLE / BUSH / DOUILLE DE TRAVERSEE	6.641-422.0	1		<b>/ 1.028-308.0</b>		
13	SCHRAUBE M 5X 8 / SCREW / VIS	7.303-036.0	2	42	PROFILDICHTUNG / SEAL / ETOUPE PROFILE	5.365-109.0	1
14	SCHEIBE 6 / WASHER / RONDELLE	7.312-260.0	1	43	TEMPERATURBEGRENZER / TEMPERATURE LIMITER / THERMOSTAT	6.686-352.0	1
15	SERVICE ELEKTRONIK / SERVICE / SERVICE	6.682-561.0	1				
16	DISTANZSTUETZE / SPACER SLEEVE / PIECE INTERCALAIRE	6.646-269.0	3				
17	FLACHDICHTUNG / GASKET / GARNITURE PLATE	5.364-158.0	1				
18	STECKERGEHAEUSE / PLUG HOUSING / LOGEMENT DE PRISE	6.646-254.0	1				
19	SICHERUNG / CLIP / CONSOLIDATION <b>/ 1.028-307.0 / -323.0</b>	6.343-186.0	1				
20	BL.SCHR. ST2,9X 9,5 / SHEET METAL SCREW / VIS A TOLE	7.303-061.0	2				
21	ZUENDTRAFO / TRANSFORMER / TRANSFORMATEUR <b>/ 1.028-307.0 / -323.0</b>	6.622-157.0	1				
21	ZUENDTRAFO 230 V / TRANSFORMER / TRANSFORMATEUR <b>/ 1.028-308.0</b>	6.622-166.0	1				
22	SCHEIBE / WASHER / RONDELLE <b>/ 1.028-307.0 / -323.0</b>	5.115-921.0	1				
23	KABEL / CABLE / CABLE <b>/ 1.028-308.0</b>	6.647-308.0	1				
23	KABEL KPL.4X2,5 / CABLE / CABLE <b>/ 1.028-307.0 / -323.0</b>	6.648-514.0	1				
24	GERAETESTECKER / PLUG / PRISE APPAREIL <b>/ 1.028-307.0 / -323.0</b>	6.646-266.0	1				
24	CEE-STECKER 32A / CEE-PLUG / CEE-FICHE <b>/ 1.028-308.0</b>	6.646-356.0	1				
26	MAGNETVENTIL / SOLENOID VALVE / ELECTROVANNE	6.685-940.0	2				

"=> xxxxxx" = bis Werknummer / up to serial No. / jusqu' au No. de fabr. / "xxxxxx =>" = ab Werknummer / from serial No. / a partir du No. de fabr. /

GRUPPE: 7.0 DURCHLAUFERHITZER  
GROUP: 7.0 FLOW HEATER  
GRUPPE: 7.0 CHAUFFE-EAU RAPIDE

**A7**

**HDS 1295 S ECO**

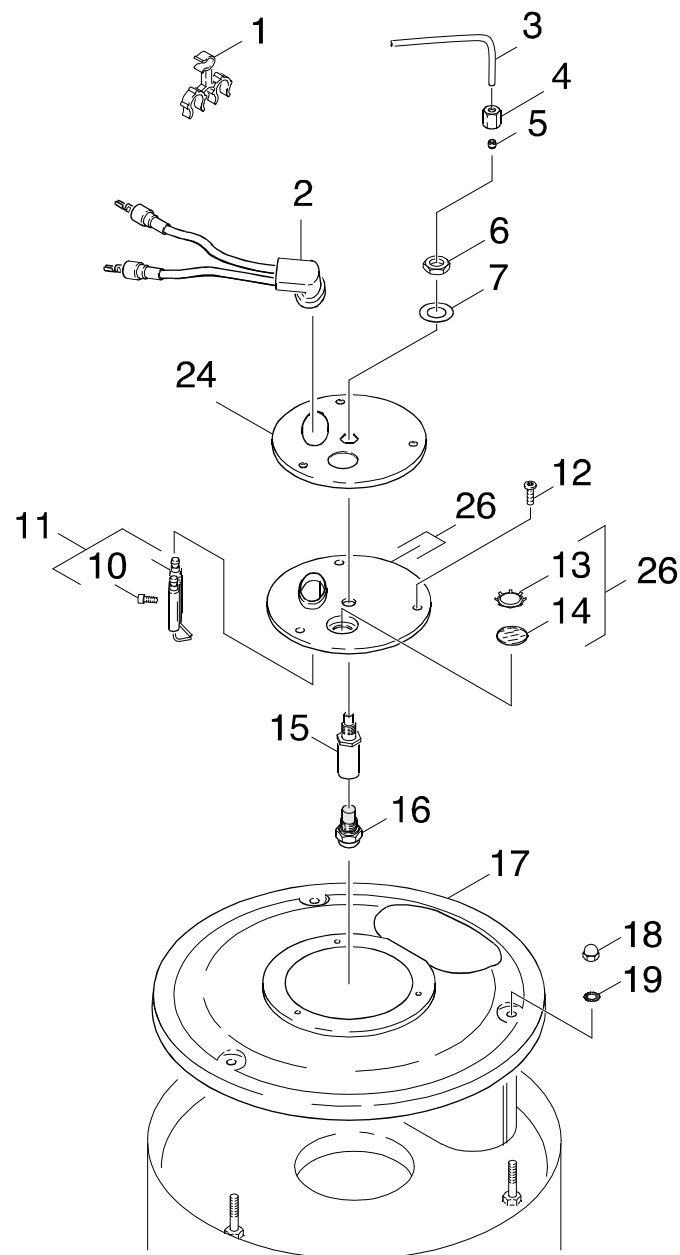
**GRUPPE: 7.0 DURCHLAUFERHITZER**  
**GROUP: 7.0 FLOW HEATER**  
**GRUPPE: 7.0 CHAUFFE-EAU RAPIDE**



GRUPPE: 7.1 BRENNERDECKEL  
GROUP: 7.1 BURNER COVER  
GRUPPE: 7.1 COUVERCLE BRULEUR

B7

HDS 1295 S ECO



Symbolbeschreibung siehe M16 / symbol description see M16 / désignation de système voir M16 /

GRUPPE: 7.1 BRENNERDECKEL  
GROUP: 7.1 BURNER COVER  
GROUPE: 7.1 COUVERCLE BRULEUR

C7

HDS 1295 S ECO

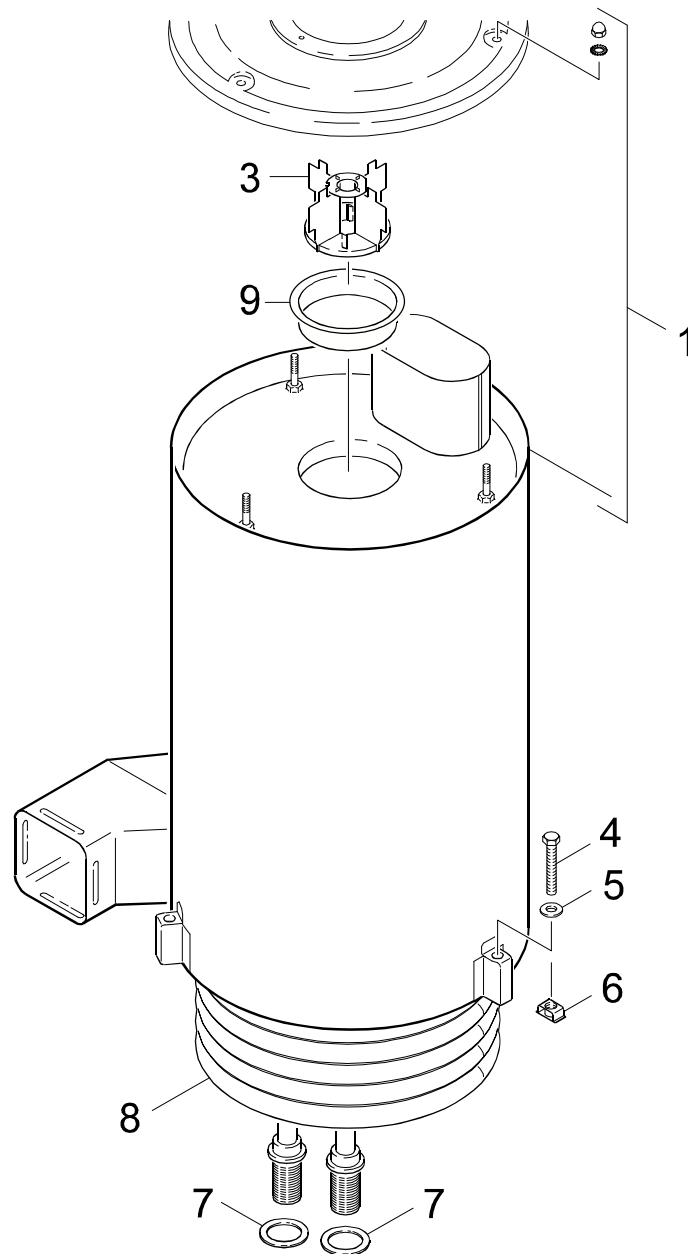
POS. ITM. POS.	BENNENUNG DESCRIPTION DESIGNATION	TEILE-NR. PART-NO. NO.PIECE	STCK QTY. NBR.
1	HALTER / BRACKET / FIXATION	6.647-527.0	1
2	ZUENDKABEL KPL. / IGNITION CABLE / FIL D'AMORCE	4.821-071.0	1
3	LEITUNGSROHR / PIPE / TUBE CONDUCTEUR	5.423-187.0	1
4	UE-MUTTER A 4-LL / UNION NUT / ECROU RACOURD	6.389-262.0	1
5	SCHNEIDRING D.4 / CUTTING RING / BAGUE COUPANTE	6.389-263.0	1
6	6KT-MUTTER M10X1 / HEXAGON NUT / ECROU HEXAGONAL	7.311-101.0	1
7	FEDERSCHEIBE B 10,0 / SPRING WASHER / RONDELLE ELAST.	7.312-302.0	1
10	SCHRAUBE M 5X 14 / SCREW / VIS	7.306-217.0	1
11	ET-SET NEUTRAL / SPARE PARTS SET / JEU DE PIECES DECHANGE	2.884-085.0	1
12	SCHRAUBE M 5X 12 / SCREW / VIS	7.303-038.0	3
13	ZACKENRING / RING / ANNEAU	6.343-165.0	1
14	GLASSCHEIBE / GLASS PANE / VITRE	6.278-018.0	1
15	DUESENHALTER / NOZZLE HOLDER / PORTE - BUSE	5.667-055.0	1
16	DUESE 60GRAD H / NOZZLE / BUSE	6.415-530.0	1
17	DECKEL D.K. / COVER / COUVERCLE	5.654-046.0	1
18	HUTMUTTER M 6 / CAP NUT / ECROU BORGNE	7.311-380.0	3
19	ZAHNSCHEIBE A 6,4 / LOCK WASHER / ROUE PLATE	7.312-167.0	3
24	DECKEL D.K. / COVER / COUVERCLE	5.654-059.0	1
26	BRENNERDECKEL / BURNER COVER / COUVERCLE BRULEUR	4.662-021.0	1

"=> xxxxxx" = bis Werknummer / up to serial No. / jusqu' au No. de fabr. / "xxxxxx =>" = ab Werknummer / from serial No. / a partir du No. de fabr. /

GRUPPE: 7.2 HEIZSCHLANGE  
GROUP: 7.2 HEATING COIL  
GRUPPE: 7.2 SERPENTIN

D7

HDS 1295 S ECO



Symbolbeschreibung siehe M16 / symbol description see M16 / désignation de système voir M16 /

GRUPPE: 7.2 HEIZSCHLANGE  
GROUP: 7.2 HEATING COIL  
GROUPE: 7.2 SERPENTIN

E7

HDS 1295 S ECO

POS. ITM. POS.	BENNENUNG DESCRIPTION DESIGNATION	TEILE-NR. PART-NO. NO.PIECE	STCK QTY. NBR.
1	AUSSENMANTEL / OUTER JACKET / ENVELOPPE	4.652-079.0	1
3	BRENNEREINSATZ / BURNER CAGE / BRULEUR CAGE	4.663-088.0	1
4	6KT-SCHR. M 8X 60 / HEXAGONAL HEAD SCREW / VIS HEXAGONAL	7.304-096.0	3
5	SCHEIBE 8 / WASHER / RONDELLE	7.312-277.0	3
6	KAEFIGMUTTER M 8 / NUT / ECROU	6.310-081.0	3
7	PROFILDICHTUNG / SEAL / ETOUPE PROFILE	5.365-068.0	2
8	HEIZSCHLANGE / HEATING COIL / SERPENTIN	4.680-098.0	1
9	BRENNERTEIL / BURNER PART / PIECE DE BRULEUR	5.664-211.0	1

"=> xxxxxx" = bis Werknummer / up to serial No. / jusqu' au No. de fabr. / "xxxxxx =>" = ab Werknummer / from serial No. / a partir du No. de fabr. /



GRUPPE: 7.3 BRENNERBODEN  
GROUP: 7.3 BURNER BOTTOM  
GRUPPE: 7.3 FOND DE BRULEUR

G7

HDS 1295 S ECO

POS.	BENNENUNG	TEILE-NR.	STCK
ITM.	DESCRIPTION	PART-NO.	QTY.
POS.	DESIGNATION	NO.PIECE	NBR.
1	DICHTSCHNUR / SEAL STRING / CORDE DE BOURRAGE	6.366-039.0	1
2	BODEN D.K. / BOTTOM / FOND	4.655-048.0	1
3	STAMPFMASSE 8KG / REFRACTORY MATERIAL / PISE REFRACT. DAME	2.889-061.0	1
4	DICHTUNG / SEAL / BOURRAGE	5.363-360.0	2
5	6KT-MUTTER M22X1,5 / HEXAGON NUT / ECROU HEXAGONAL	7.311-155.0	2
6	ROHRLEITUNG AUSG. / PIPELINES / CONDUITE	4.421-629.0	1
7	6KT-MUTTER M10 / HEXAGON NUT / ECROU HEXAGONAL	7.311-511.0	1
8	SCHEIBE 10 / WASHER / RONDELLE	7.312-285.0	1
9	ZAHNSCHEIBE A 10,5 / LOCK WASHER / ROUE PLATE	7.312-160.0	1
11	SPANNTAIL / CLAMP ELEMENT / PIECE DE SERRAGE	5.263-064.0	1

"=> xxxxxx" = bis Werknummer / up to serial No. / jusqu' au No. de fabr. / "xxxxxx =>" = ab Werknummer / from serial No. / a partir du No. de fabr. /

GRUPPE: 8.0 SCHWIMMERKASTEN  
GROUP: 8.0 FLOAT CHEST  
GRUPPE: 8.0 BOITE DU FLOTTEUR

**A8**

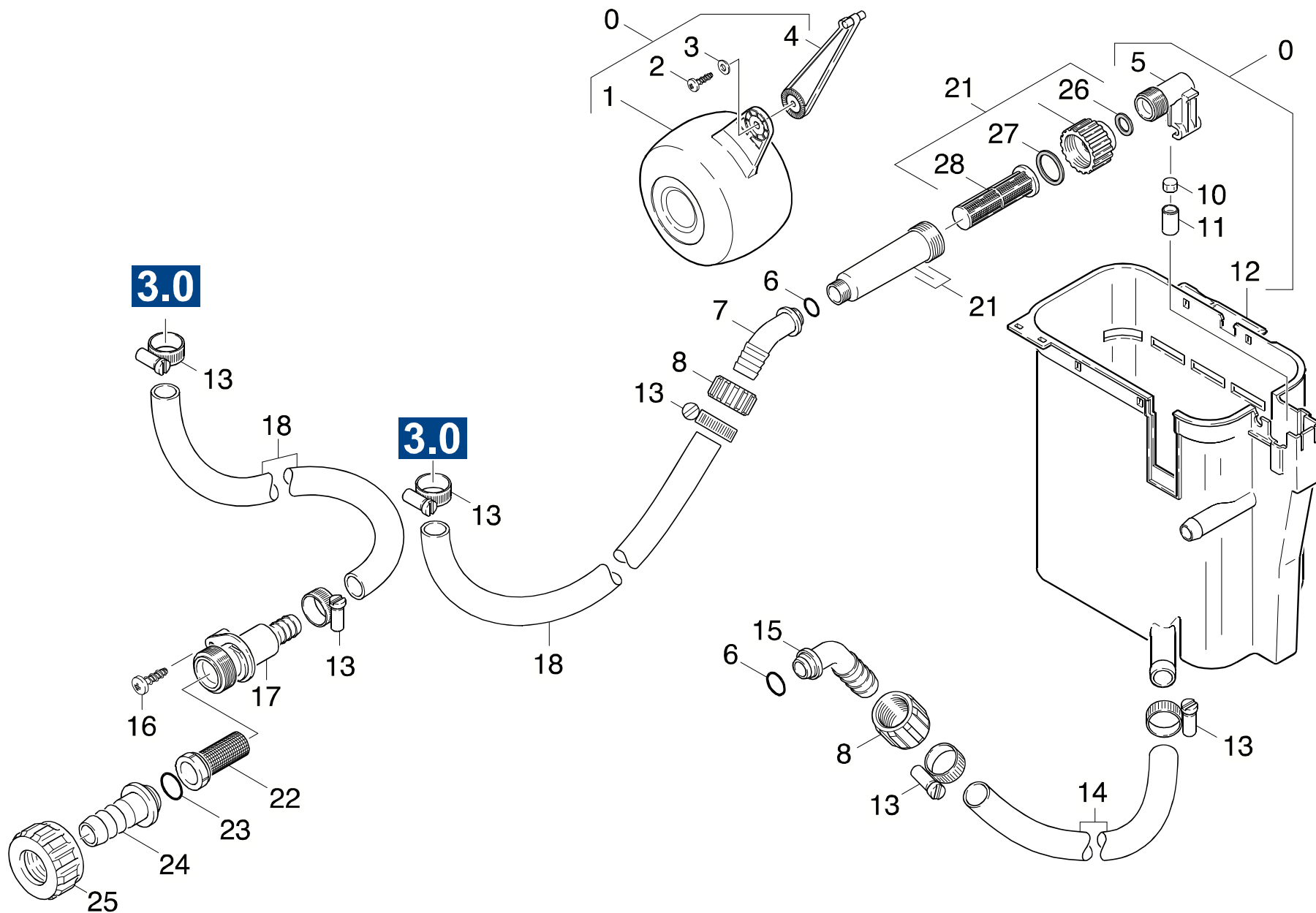
**HDS 1295 S ECO**

**GRUPPE: 8.0 SCHWIMMERKASTEN**  
**GROUP: 8.0 FLOAT CHEST**  
**GRUPPE: 8.0 BOITE DU FLOTTEUR**

GRUPPE: 8.1 SCHWIMMERKASTEN  
GROUP: 8.1 FLOAT CHEST  
GRUPPE: 8.1 BOITE DU FLOTTEUR

B8

HDS 1295 S ECO



Symbolbeschreibung siehe M16 / symbol description see M16 / désignation de système voir M16 /



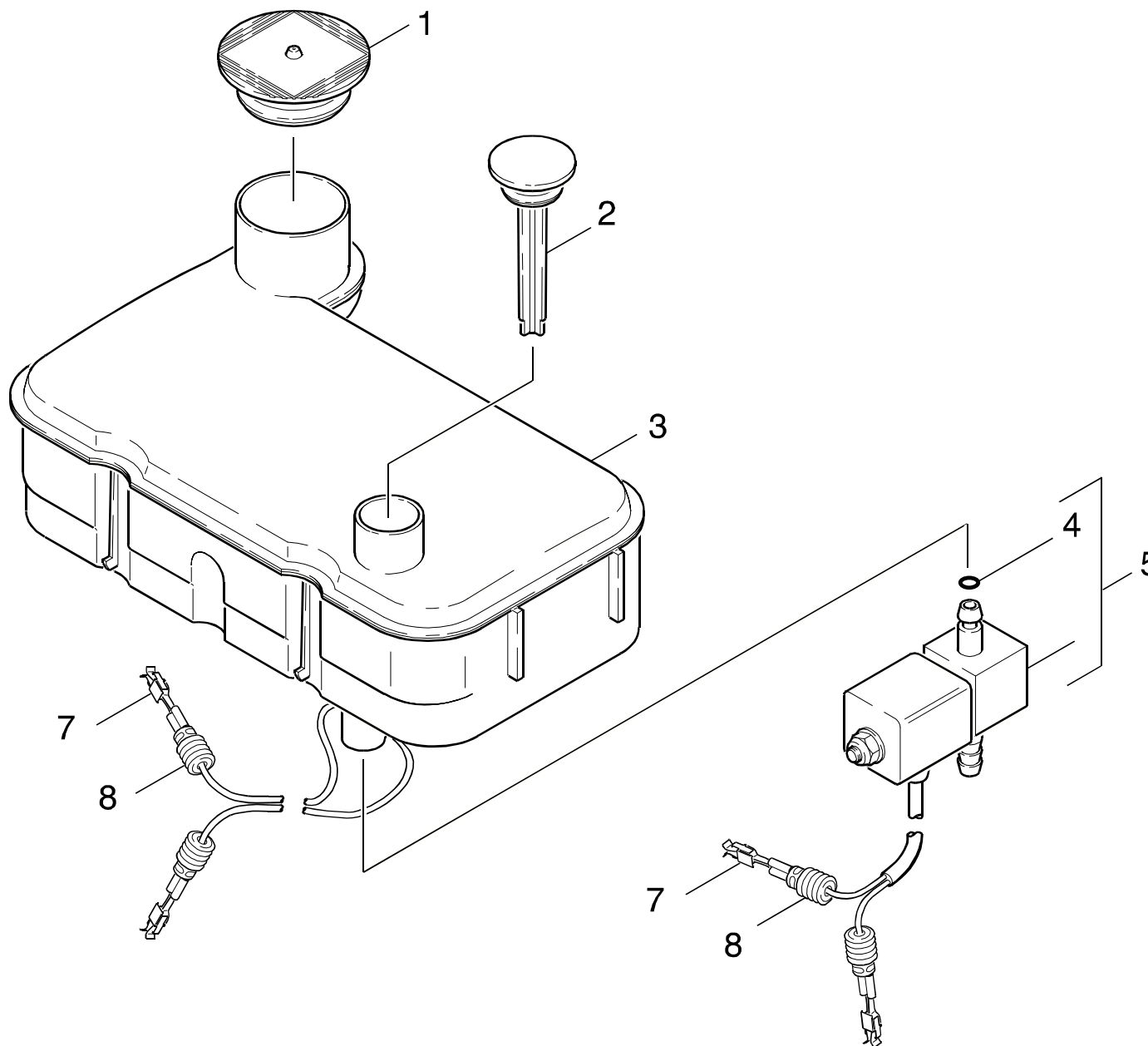
GRUPPE: 8.1 SCHWIMMERKASTEN  
 GROUP: 8.1 FLOAT CHEST  
 GROUPE: 8.1 BOITE DU FLOTTEUR

C8

HDS 1295 S ECO

POS. ITM. POS.	BENNENNUNG DESCRIPTION DESIGNATION	TEILE-NR. PART-NO. NO.PIECE	STCK QTY. NBR.
0	SCHWIMMERVERTIL / FLOAT VALVE / SOUPAPE A FLOTTEUR	3.593-082.0	1
1	SCHWIMMER / FLOAT / FLOTTEUR	5.585-004.0	1
2	SCHRAUBE 5 X 16 / SCREW / VIS	7.303-104.0	1
3	SCHEIBE 5 / WASHER / RONDELLE	7.312-282.0	1
4	HEBEL / LEVER / LEVIER	5.481-118.0	1
5	VENTILGEHAEUSE / VALVE HOUSING / CORPS DE SOUPAPE	5.587-147.0	1
6	O-RING 13,3 X 2,4 / GASKET / BAQUE D'ETANCHEITE	6.362-078.0	2
7	SCHLAUCHNIPPEL / HOSE STEM / RACCORD DE FLEXIBLE	5.443-285.0	1
8	MUTTER / NUT / ECROU	5.310-062.0	2
10	FLACHDICHTUNG / GASKET / GARNITURE PLATE	5.364-095.0	1
11	VENTILBOLZEN / VALVE PIN / BOULON DE SOUPAPE	5.584-085.0	1
12	BEHAELTER / TANK / BAC	5.070-140.0	1
13	SCHLAUCHSCHELLE A / HOSE BAND CLIP / COLLIER DE SERRAGE	7.373-022.0	6
14	SCHLAUCH 19X 4 / HOSE / TUYAU FLEXIBLE	6.389-499.0	1
15	SCHLAUCHNIPPEL / HOSE STEM / RACCORD DE FLEXIBLE	5.443-211.0	1
16	SCHRAUBE 6 X 20 / SCREW / VIS	7.303-112.0	1
17	KNOTENSTUECK / MANIFOLD / FERRURE NODALE	5.427-154.0	1
18	SCHLAUCH DN16 / HOSE / TUYAU FLEXIBLE	6.388-719.0	1
	<b>ALS METERWARE BESTELLEN/TO ORDER AS CUT GOODS/COMMANDE COMME MARCHANDISE AU METRE</b>		
21	WASSERFILTER KPL. / WATER FILTER / FILTRE (EAU)	4.730-071.0	1
22	SIEB / STRAINER / CREPINE	6.414-141.0	1
23	O-RING 19,3 X 2,4 / GASKET / BAQUE D'ETANCHEITE	6.362-161.0	1
24	SCHLAUCHNIPPEL / HOSE STEM / RACCORD DE FLEXIBLE	5.443-291.0	1
25	MUTTER / NUT / ECROU	5.310-076.0	1
26	DICHTRING / JOINT RING / BAGUE D'ETANCHEITE	5.363-095.0	1
27	DICHTUNG / SEAL / BOURRAGE	5.363-336.0	1
28	WASSERFILTER / WATER FILTER / FILTRE (EAU)	5.731-587.0	1

"=> xxxxxx" = bis Werknummer / up to serial No. / jusqu' au No. de fabr. / "xxxxxx =>" = ab Werknummer / from serial No. / a partir du No. de fabr. /



Symbolbeschreibung siehe M16 / symbol description see M16 / désignation de système voir M16 /

GRUPPE: 8.2 DGT  
GROUP: 8.2 DROP METERING UNIT  
GRUPPE: 8.2 DGT

E8

HDS 1295 S ECO

POS.	BENNENUNG	TEILE-NR.	STCK
ITM.	DESCRIPTION	PART-NO.	QTY.
POS.	DESIGNATION	NO.PIECE	NBR.
1	DECKEL / COVER / COUVERCLE	5.063-487.0	1
2	DECKEL / COVER / COUVERCLE	5.063-507.0	1
3	BEHAELTER / TANK / BAC	4.070-164.0	1
4	O-RING 6,0 X 2,0 / GASKET / BAQUE D'ETANCHEITE	6.362-113.0	1
5	MAGNETVENTIL DN 3 / SOLENOID VALVE / ELECTROVANNE	6.685-936.0	1
7	KONTAKT / CONTACT / CONTACT	6.647-234.0	4
8	EINZELADERABDICHT. / SEAL / ETOUPAGE	6.647-235.0	4

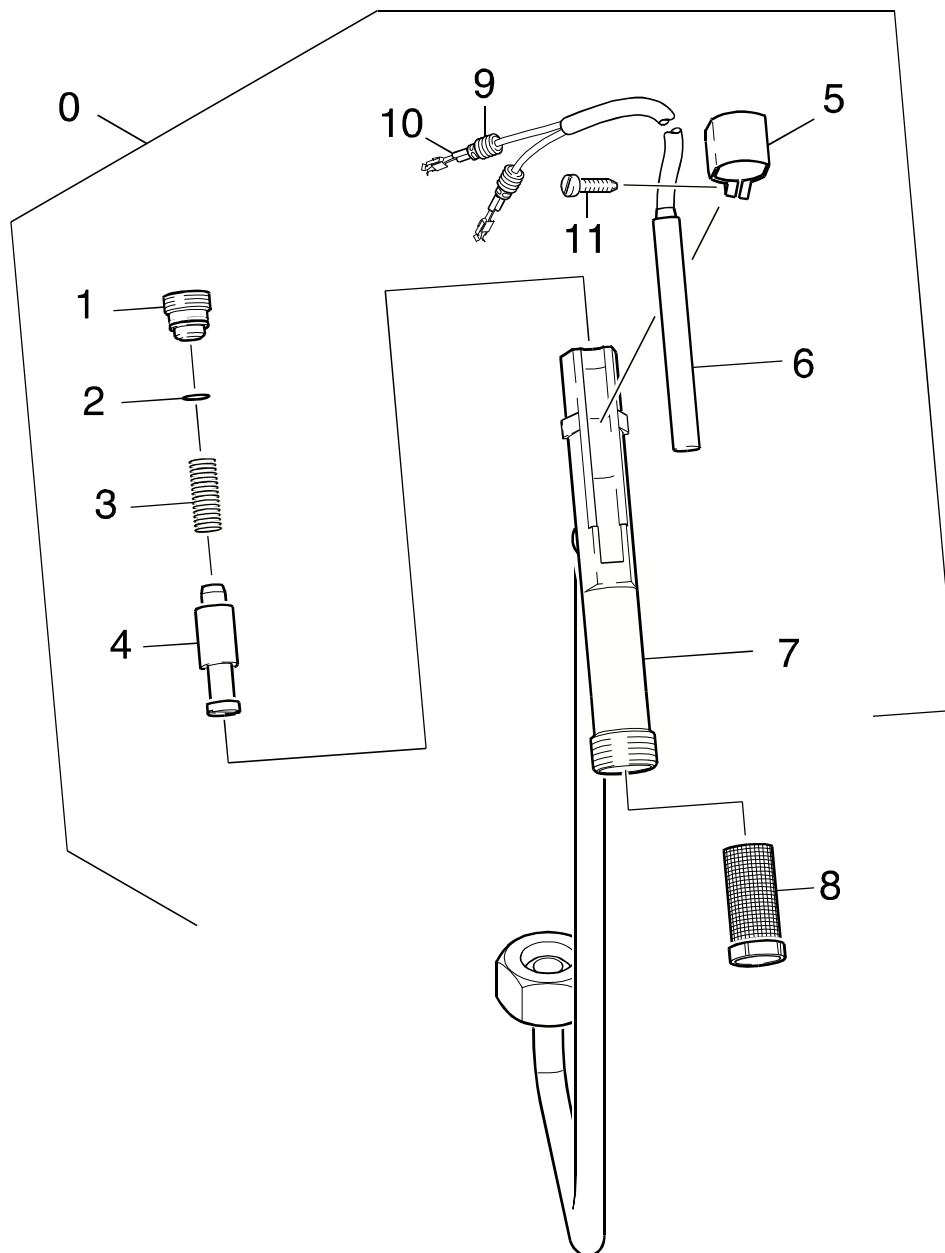
"=> xxxxxx" = bis Werknummer / up to serial No. / jusqu' au No. de fabr. / "xxxxxx =>" = ab Werknummer / from serial No. / a partir du No. de fabr. /

GRUPPE: 9.0 SICHERHEITSBLOCK  
GROUP: 9.0 SAFETY SYSTEM  
GRUPPE: 9.0 BLOC DE SECURITE

**A9**

**HDS 1295 S ECO**

**GRUPPE: 9.0 SICHERHEITSBLOCK**  
**GROUP: 9.0 SAFETY SYSTEM**  
**GRUPPE: 9.0 BLOC DE SECURITE**



Symbolbeschreibung siehe M16 / symbol description see M16 / désignation de système voir M16 /

GRUPPE: 9.0 SICHERHEITSBLOCK  
GROUP: 9.0 SAFETY SYSTEM  
GROUPE: 9.0 BLOC DE SECURITE

C9

HDS 1295 S ECO

POS. ITM. POS.	BENNENUN DESCRIPTION DESIGNATION	TEILE-NR. PART-NO. NO.PIECE	STCK QTY. NBR.
0	SICHERHEITSBLOCK / SAFETY SYSTEM / BLOC DE SECURITE	4.749-161.0	1
1	FORMSCHRAUBE / FORM SCREW / VIS	5.305-162.0	1
2	O-RING 10 X 1,5 / GASKET / BAQUE D'ETANCHEITE	6.362-482.0	1
3	SCHRAUBENFEDER / HELICAL SPRING / RESSORT CYLINDRIQUE	5.332-057.0	1
4	KOLBEN / PISTON / PISTON	4.553-022.0	1
5	SHELLE / CLAMP / COLLIER	5.041-076.0	1
6	ERSATZREEDSCHALTER / SPARE REED SWITCH / INTERRUPT.REED DE RESERVE	2.883-338.0	1
7	ROHRLEITUNG / PIPELINES / CONDUITE	4.421-203.0	1
8	SIEB / STRAINER / CREPINE	6.414-566.0	1
9	EINZELADERABDICHT. / SEAL / ETOUPAGE	6.647-235.0	2
10	KONTAKT / CONTACT / CONTACT	6.647-234.0	2
11	LINSENSCHR. 4,2X13 / OVAL HEAD SCREW / VIS A TETE BOMBEE	6.303-047.0	1

"=> xxxxxx" = bis Werknummer / up to serial No. / jusqu' au No. de fabr. / "xxxxxx =>" = ab Werknummer / from serial No. / a partir du No. de fabr. /

GRUPPE: 10.0ZUBEHOER  
GROUP: 10.0ACCESSORIES  
GRUPPE: 10.0ACCESSOIRES

**A10**

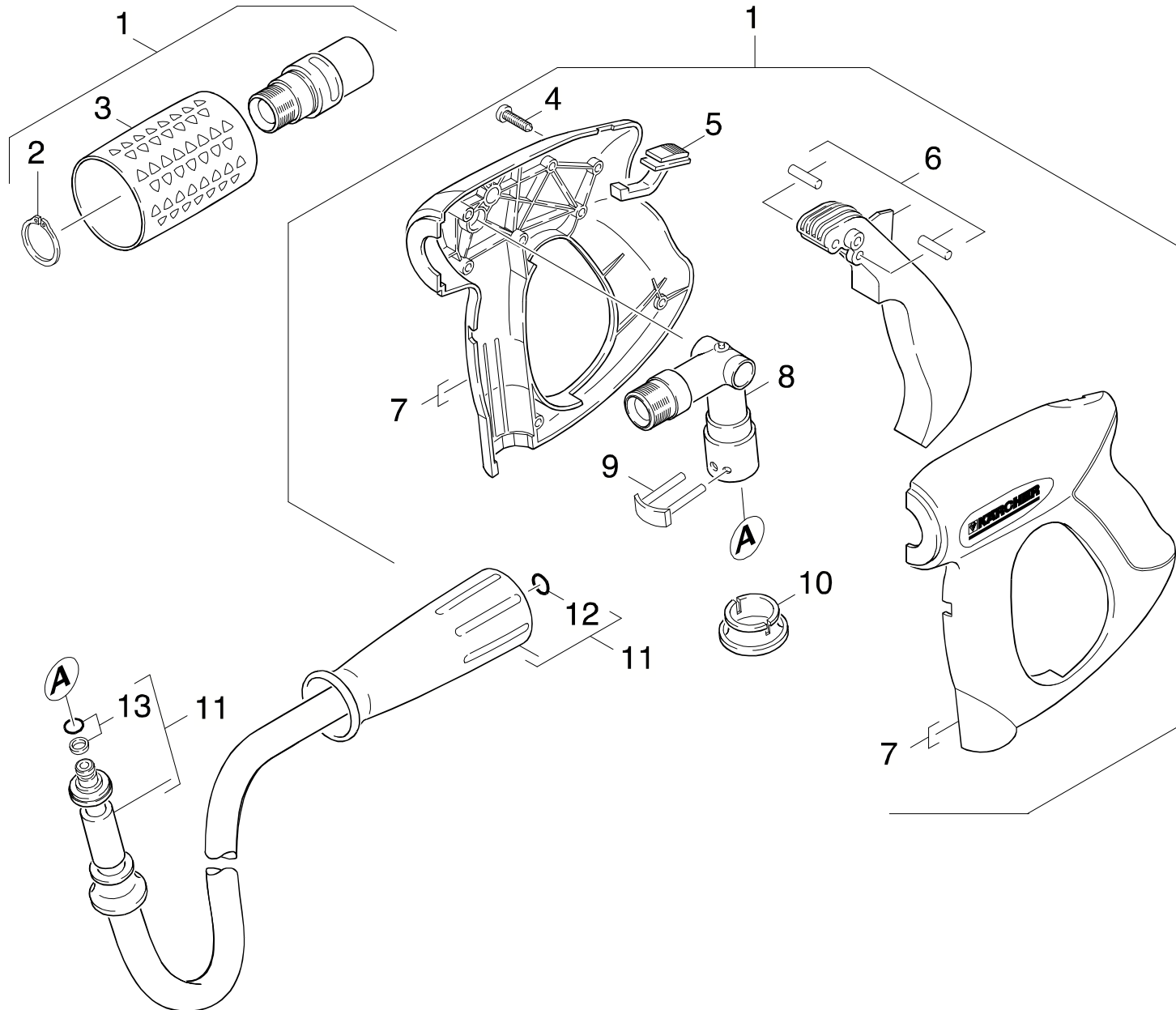
**HDS 1295 S ECO**

**GRUPPE: 10.0ZUBEHOER**  
**GROUP: 10.0ACCESSORIES**  
**GRUPPE: 10.0ACCESSOIRES**

GRUPPE: 10.1 HANDSPRITZPISTOLE  
GROUP: 10.1 TRIGGER GUN  
GRUPPE: 10.1 POIGNEE PISTOLET

B10

HDS 1295 S ECO



Symbolbeschreibung siehe M16 / symbol description see M16 / désignation de système voir M16 /



GRUPPE: 10.1 HANDSPRITZPISTOLE  
GROUP: 10.1 TRIGGER GUN  
GROUPE: 10.1 POIGNEE PISTOLET

C10

HDS 1295 S ECO

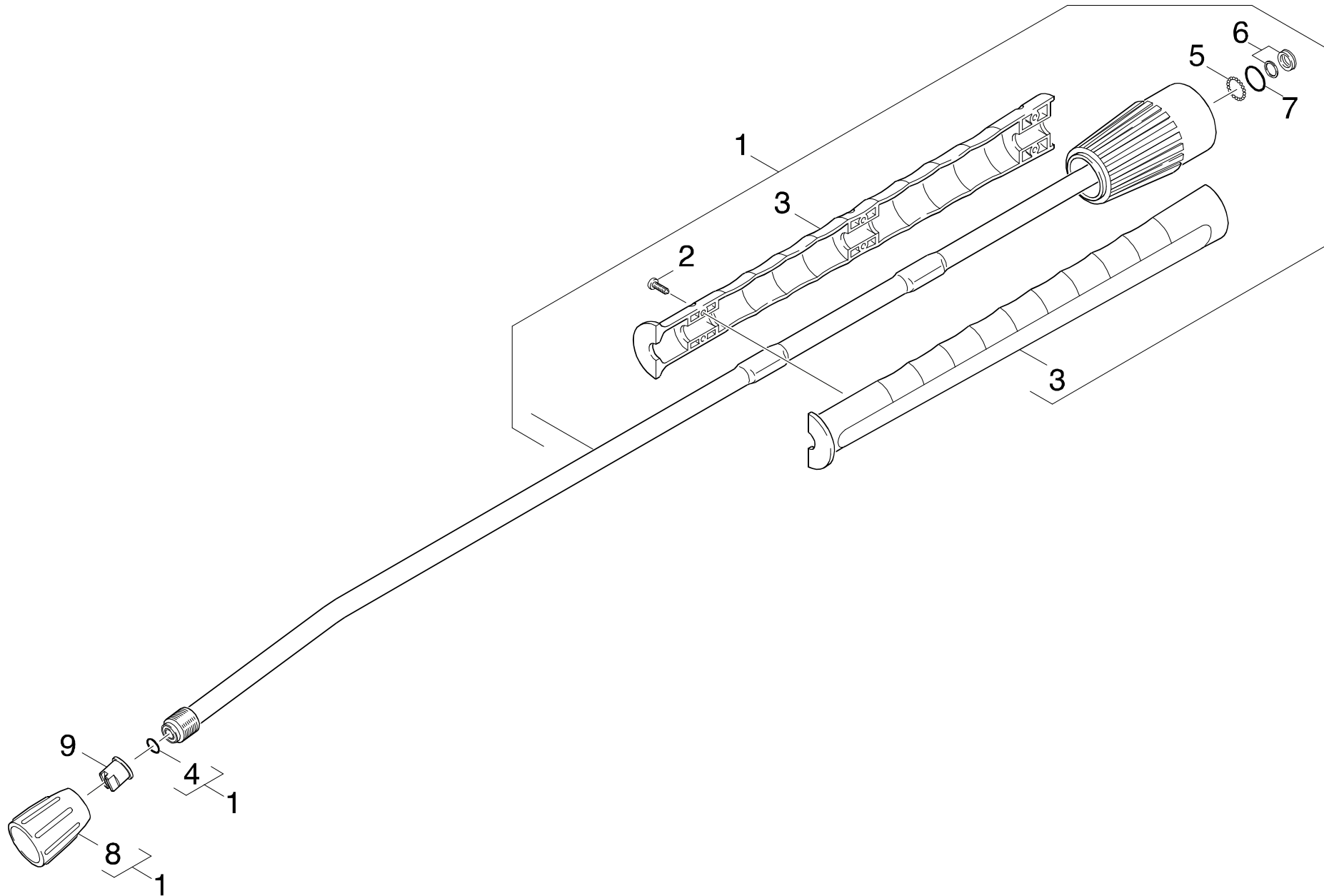
POS. ITM. POS.	BENNENUN DESCRIPTION DESIGNATION	TEILE-NR. PART-NO. NO.PIECE	STCK QTY. NBR.
1	PISTOLE M. DREHREG. / PISTOL / PISTOLET	4.775-516.0	1
2	S-RING 25X1,2 / SPRING CLIP / CIRCLIP	7.343-069.0	1
3	GRIFF / HANDLE / POIGNEE	5.321-668.0	1
4	SCHRAUBE 4 X 22 / SCREW / VIS	7.303-096.0	7
5	SCHIEBER / BOLT / VERROU	5.481-331.0	1
6	HEBEL KPL. / LEVER / LEVIER	4.481-209.0	1
7	GRIFFPAAR / HANDLES / BRANCHES POIGNEE	5.321-669.0	1
8	KNOTENSTUECK KPL. / MANIFOLD / FERRURE NODALE	4.427-215.0	1
9	HAKEN / HOOK / PATERE	4.037-013.0	1
10	HUELSE / SLEEVE / DOUILLE	5.110-596.0	1
11	HD-SCHLAUCH DN 8 / HIGH PRESSURE HOSE / TUYAU FLEXIBLE HAUTE PRE. <b>/ 1.028-307.0 / -308.0</b>	6.389-856.0	1
11	HD-SCHLAUCH DN 8 / HIGH PRESSURE HOSE / TUYAU FLEXIBLE HAUTE PRE. <b>/ 1.028-323.0</b>	6.390-208.0	1
12	ERSATZTEILSET / SPARE PARTS KIT / KIT DE PIECES	2.880-296.0	1
13	O-RING KPL./1ST.-R. / GASKET / BAQUE D'ETANCHEITE	6.363-116.0	1

"=> xxxxxx" = bis Werknummer / up to serial No. / jusqu' au No. de fabr. / "xxxxxx =>" = ab Werknummer / from serial No. / a partir du No. de fabr. /

GRUPPE: 10.2 STRAHLROHR  
GROUP: 10.2 JET PIPE  
GRUPPE: 10.2 LANCE D'INCENDIE

D10

HDS 1295 S ECO



Symbolbeschreibung siehe M16 / symbol description see M16 / désignation de système voir M16 /

GRUPPE: 10.2STRAHLROHR  
GROUP: 10.2JET PIPE  
GRUPPE: 10.2LANCE D'INCENDIE

E10

HDS 1295 S ECO

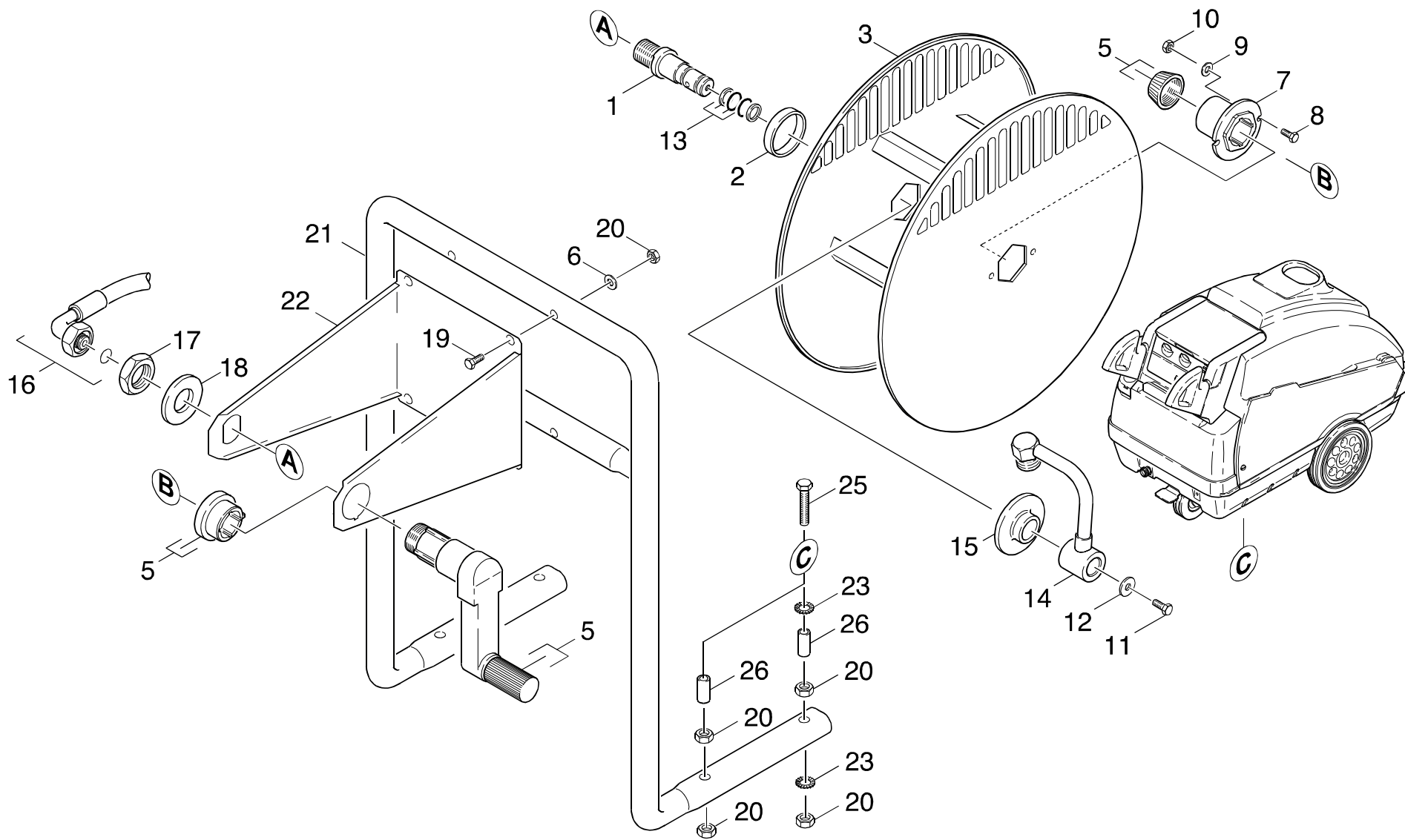
POS. ITM. POS.	BENNENUNG DESCRIPTION DESIGNATION	TEILE-NR. PART-NO. NO.PIECE	STCK QTY. NBR.
1	STRAHLROHR KPL. / JET PIPE / LANCE D'INCENDIE	4.760-550.0	1
2	SCHRAUBE 4 X 16 / SCREW / VIS	7.303-129.0	6
3	GRIFFPaar / HANDLES / BRANCHES POIGNEE	5.321-691.0	1
4	ERSATZTEILSET / SPARE PARTS KIT / KIT DE PIECES	2.880-296.0	1
5	KUGEL 2,5 G40 / BALL / BOULE	7.401-915.0	20
6	NUTRING KPL.1ST.R. / GROOVED RING / JOINT A LEVRES	6.362-532.0	1
7	O-RING 17,0 X 1,5 / GASKET / BAQUE D'ETANCHEITE	6.362-524.0	1
8	VERSCHRAUBUNGSTEIL / SCREW UNION PART / PIECE (RACCORD A VIS)	5.401-210.0	1
9	POWERDUESE 25072 / POWER NOZZLE / BUSE	2.883-926.0	1

"=> xxxxxx" = bis Werknummer / up to serial No. / jusqu' au No. de fabr. / "xxxxxx =>" = ab Werknummer / from serial No. / a partir du No. de fabr. /

GRUPPE: 10.3SCHLAUCHTROMMEL  
GROUP: 10.3HOSE REEL  
GRUPPE: 10.3TAMBOUR ENROULEUR

F10

HDS 1295 S ECO



Symbolbeschreibung siehe M16 / symbol description see M16 / désignation de système voir M16 /

GRUPPE: 10.3SCHLAUCHTROMMEL  
 GROUP: 10.3HOSE REEL  
 GROUPE: 10.3TAMBOUR ENROULEUR

# G10

# HDS 1295 S ECO

POS. ITM. POS.	BENNENUNNG DESCRIPTION DESIGNATION	TEILE-NR. PART-NO. NO.PIECE	STCK QTY. NBR.	POS. ITM. POS.	BENNENUNNG DESCRIPTION DESIGNATION	TEILE-NR. PART-NO. NO.PIECE	STCK QTY. NBR.
1	ZAPFEN / PIN / TOURILLON / 1.028-323.0	5.108-098.0	1	19	ZYL.SCHR. M 8X 35 / CHEESE HEAD SCREW / VIS A TETE CYLINDR. / 1.028-323.0	7.306-044.0	4
2	HUELSE / SLEEVE / DOUILLE / 1.028-323.0	5.110-340.0	1	20	6KT-MUTTER M 8 / HEXAGON NUT / ECROU HEXAGONAL / 1.028-323.0	7.311-004.0	8
3	SCHLAUCHTROMMEL / HOSE REEL / TAMBOUR ENROULEUR / 1.028-323.0	4.204-504.0	1	21	HALTER KPL. / BRACKET / FIXATION / 1.028-323.0	4.044-034.0	1
5	ET SET SCHLAUCHTROMMEL / SPARE PART / PIECE DE RECHANGE / 1.028-323.0	2.884-318.0	1	22	BLECHTEIL / PLATE / TOLE / 1.028-323.0	5.046-485.0	1
6	SCHEIBE 8 / WASHER / RONDELLE / 1.028-323.0	7.312-004.0	4	23	ZAHNSCHEIBE A 8,4 / LOCK WASHER / ROUE PLATE / 1.028-323.0	7.312-166.0	6
7	BUECHSE / BUSH / DOUILLE / 1.028-323.0	5.112-304.0	1	25	6KT-SCHR. M 8X 60 / HEXAGONAL HEAD SCREW / VIS HEXAGONAL / 1.028-323.0	7.304-401.0	4
8	SCHRAUBE M 4X 12 / SCREW / VIS / 1.028-323.0	7.306-058.0	2	26	HUELSE / SLEEVE / DOUILLE / 1.028-323.0	5.110-778.0	4
9	SCHEIBE 4 / WASHER / RONDELLE / 1.028-323.0	7.312-001.0	2				
10	6KT-MUTTER M 4 / HEXAGON NUT / ECROU HEXAGONAL / 1.028-323.0	7.311-001.0	2				
11	SCHRAUBE M 6X 8 / SCREW / VIS / 1.028-323.0	7.306-190.0	1				
12	SCHEIBE 6 / WASHER / RONDELLE / 1.028-323.0	7.312-260.0	1				
13	O-RING KPL./1ST.-R. / GASKET / BAQUE D'ETANCHEITE / 1.028-323.0	6.362-466.0	2				
14	ROHRKRUEMMER / ELBOW / COUDE DE TUBE / 1.028-323.0	4.408-044.0	1				
15	BUECHSE / BUSH / DOUILLE / 1.028-323.0	5.112-305.0	1				
16	HD-SCHLAUCH DN 8 / HIGH PRESSURE HOSE / TUYAU FLEXIBLE HAUTE PRE. / 1.028-323.0	6.390-123.0	1				
17	6KT-MUTTER M22X1,5 / HEXAGON NUT / ECROU HEXAGONAL / 1.028-323.0	7.311-155.0	1				
18	SCHEIBE 22 / WASHER / RONDELLE / 1.028-323.0	7.312-024.0	1				

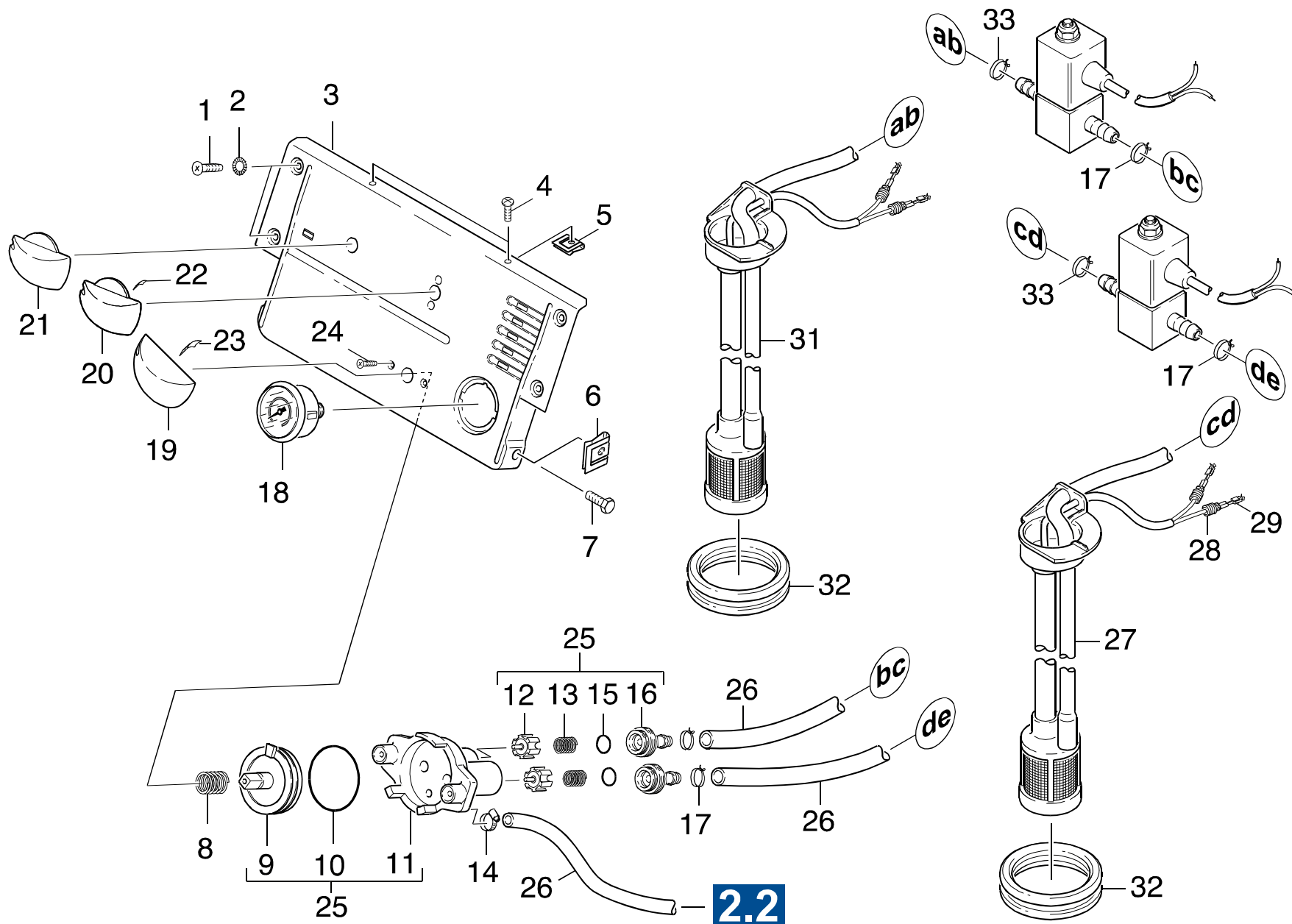
"=> xxxxxx" = bis Werknummer / up to serial No. / jusqu' au No. de fabr. / "xxxxxx =>" = ab Werknummer / from serial No. / a partir du No. de fabr. /

GRUPPE: 11.0 INSTRUMENTENTAFEL  
GROUP: 11.0 CONTROL PANEL  
GRUPPE: 11.0 TABLEAU DE BORD

**A11**

**HDS 1295 S ECO**

**GRUPPE: 11.0 INSTRUMENTENTAFEL**  
**GROUP: 11.0 CONTROL PANEL**  
**GRUPPE: 11.0 TABLEAU DE BORD**



Symbolbeschreibung siehe M16 / symbol description see M16 / désignation de système voir M16 /

GRUPPE: 11.0 INSTRUMENTENTAFEL  
 GROUP: 11.0 CONTROL PANEL  
 GROUPE: 11.0 TABLEAU DE BORD

C11

HDS 1295 S ECO

POS. ITM. POS.	BENNENUNNG DESCRIPTION DESIGNATION	TEILE-NR. PART-NO. NO.PIECE	STCK QTY. NBR.	POS. ITM. POS.	BENNENUNNG DESCRIPTION DESIGNATION	TEILE-NR. PART-NO. NO.PIECE	STCK QTY. NBR.
1	SCHRAUBE M 5X 12 / SCREW / VIS	7.303-038.0	4	33	SCHLAUCHSCHELLE / HOSE BAND CLIP / COLLIER DE SERRAGE	6.388-559.0	2
2	ZAHNSCHEIBE A 5,3 / LOCK WASHER / ROUE PLATE	7.312-172.0	4				
3	INSTRUMENTENTAFEL / CONTROL PANEL / TABLEAU DE BORD	5.841-465.0	1				
4	BL.SCHR. ST4,8X19 / SHEET METAL SCREW / VIS A TOLE	7.303-078.0	2				
5	BLECHMUTTER / NUT / ECROU	6.310-034.0	2				
6	STECKMUTTER M6 / NUT / ECROU	6.310-082.0	2				
7	6KT-SCHR. M 6X 12 / HEXAGONAL HEAD SCREW / VIS HEXAGONAL	7.304-382.0	2				
8	SCHRAUBENFEDER / HELICAL SPRING / RESSORT CYLINDRIQUE	5.332-028.0	1				
9	VENTILSITZ / VALVE SEAT / SIEGE DE SOUPAPE	5.581-035.0	1				
10	O-RING 40,0 X 2,5 / GASKET / BAQUE D'ETANCHEITE	6.363-053.0	1				
11	VENTILGEHAEUSE / VALVE HOUSING / CORPS DE SOUPAPE	5.587-046.0	1				
12	VENTILBOLZEN / VALVE PIN / BOULON DE SOUPAPE	5.584-028.0	2				
13	SCHRAUBENFEDER / HELICAL SPRING / RESSORT CYLINDRIQUE	5.332-076.0	2				
14	SCHLAUCHSCHELLE / HOSE BAND CLIP / COLLIER DE SERRAGE	6.388-515.0	1				
15	O-RING 13,0 X 2,0 / GASKET / BAQUE D'ETANCHEITE	6.362-381.0	2				
16	VENTILSTUTZEN / VALVE SOCKET / RACCORD DE SOUPAPE	5.586-014.0	2				
17	SCHLAUCHSCHELLE / HOSE BAND CLIP / COLLIER DE SERRAGE	6.388-561.0	4				
18	MANOMETER 0-315 BAR / PRESSURE GAUGE / MANOMETRE	6.421-170.0	1				
19	GRIFF / HANDLE / POIGNEE	5.321-379.0	1				
20	GRIFF / HANDLE / POIGNEE	5.321-641.0	1				
21	GRIFF / HANDLE / POIGNEE	5.321-633.0	1				
22	KLEMMFEDER / SPRING / RESSORT DE FRICTION	6.313-014.0	1				
23	BLATTFEDER / PLATE SPRING / RESSORT A LAMES	5.337-021.0	1				
24	SENKSCHR. M 4X 12 / FLAT HEADED SCREW / VIS A TETE CONIQUE	7.305-036.0	2				
25	VENTIL / VALVE / SOUPAPE	4.580-075.0	1				
26	SCHLAUCH DN 7 / HOSE / TUYAU FLEXIBLE	6.388-194.0	1				
	<b>ALS METERWARE BESTELLEN/TO ORDER AS CUT GOODS/COMMANDE COMME MARCHANDISE AU METRE</b>						
27	NIVEAUFUEHLER / LEVEL PROBE / DETECTEUR DE NIVEAU	4.747-084.0	1				
28	EINZELADERABDICHT. / SEAL / ETOUPAGE	6.647-235.0	4				
29	KONTAKT / CONTACT / CONTACT	6.647-234.0	4				
31	NIVEAUFUEHLER / LEVEL PROBE / DETECTEUR DE NIVEAU	4.747-085.0	1				
32	DICHTRING / JOINT RING / BAGUE D'ETANCHEITE	5.363-306.0	2				

"=> xxxxxx" = bis Werknummer / up to serial No. / jusqu' au No. de fabr. / "xxxxxx =>" = ab Werknummer / from serial No. / a partir du No. de fabr. /



## Bestellhinweis

Bei Ihrer Bestellung sind unbedingt anzugeben :

1.	2.	3.	4.	5.
Gerätetyp Machine model Type d'appareils	Herstell-Nr. Serial-No. No. de série	Benennung Description Désignation	Teile-Nr. Part No. Référence	Stückzahl Piece No. Quantité



**siehe Typenschild  
see name-plate  
voir plaque signalétique**



**siehe Ersatzteilliste  
see spare parts list  
voir liste des pièces de rechange**

- Die Ersatzteile, welche als Meterware geliefert werden, sind auf Einbaulänge selbst zu kürzen. Ebenso sind die Stückzahlen in den jeweiligen Gruppen als Mindestbestellmengen = 1m angegeben und können je nach Bedarf auf weitere volle Meterzahlen erhöht und bestellt werden.
- Spare Parts which are delivered as cut goods have to be shortened to installation length. The quotation of quantity in each group refers to the minimum order quantity = 1m and may be ordered and raised to further full metre-values according to demand
- Les pièces de rechange qui sont livrées comme marchandise au mètre sont à raccourcir selon la longueur d'installation. Les indications de quantité dans chaque group se réfèrent à des valeurs de mètre de plus.
- Diese Ersatzteilliste erscheint in gedruckter Form sowie als Mikrofiche. Bei Querverweisen bezieht sich die Angabe "Seitenzahl" auf die gedruckte Ersatzteilliste und die Angabe "Bildtafel" auf die Mikrofilmausgabe.
- This spare parts list is published both in printed form and as a microfiche. In the cross-references, "page number" refers to the printed spare parts list and "display table" to the microfilm edition.
- Cette liste de pièces de rechange est aussi bien imprimée que publiée sous forme de microfiche. Les indications transversales renvoient au "numéro de page" sur la liste imprimée des pièces de rechange et à la "planche" sur la microfiche.

Bitte beachten Sie, daß der Teileumfang dieser Ersatzteilliste nicht unbedingt dem Lieferumfang Ihres Geräte entspricht.

For your information: It could be that certain parts quoted in this spare parts list were not included with the machine delivery.

Pour votre information: il se peut que certaines pièces détachées mentionnées sur la liste ne vous aient pas été livrées avec l'appareil.

Die in dieser Ersatzteilliste nicht aufgeführten Einzelteile, bestellen Sie bitte direkt beim Vertragskundendienst des jeweiligen Herstellers.

Please order the individual parts not included in this assembly directly with the contract aftersales service of the manufacturer in question.

Veillez s'il vous plaît, commander les pièces détachées qui ne sont indiquées dans notre liste des pièces détachées, directement auprès du service après-vente des fabricants en question.

Bei Bestellung von lackierten Teilen, welche in der Ersatzteilliste nicht in verschiedenen Farben ausgewiesen sind, ist zusätzlich die Farbnummer oder Farbe mit anzugeben. Diese finden Sie auf dem Typenschild oder Farbschild Ihres Gerätes.

Upon ordering of varnished parts which are not mentioned in the spare parts list as parts with different colors, kindly additionally mention the number of the color. It can be seen on the type plate of the color plate of your machine.

Commandant des parts vernissés qui ne sont pas mentionnés comme parts avec une couleur différente dans la liste des pièces détachées, veuillez mentionner de plus le numéro de la couleur. Il se trouve sur la plaque signalétique ou la plaque de couleur de votre machine.

Auflistungen von Einzelteilen bei Ersatzteil - u. Pumpensets sind in der Reihe "16" einzusehen, bzw. direkt unter dem entsprechenden Set aufgelistet.

Listings of single parts upon spare parts kits and pump kits can be seen in row "16" or directly listed below the corresponding kit.  
Des établissements des pièces détachées en ce qui concerne les kits des pièces de rechange et les kits de pompes, peuvent être vus à la ligne "16" ou ils sont répertoriés directement au-dessous du jeu correspondant.

Technische Änderungen im Rahmen der Weiterentwicklung sowie das Recht der ausschließlichen Auswertung unseres geistigen Eigentums behalten wir uns vor. Vervielfältigung und Nachdruck nur mit Genehmigung und Urheberhinweis möglich.

We reserve the right to make technical changes in the course of development work and the right to make exclusive use of our intellectual property. This spare parts list may be duplicated or reprinted only with our approval and with acknowledgement of our copyright.

Nous nous réservons le droit de toutes modifications techniques dans le cadre du perfectionnement des mises au point ainsi que le droit de la mise en valeur exclusive de notre propriété intellectuelle. Polycopie et reproduction exclusivement après accord et avec mention de l'auteur.

# INDEX

## M16

## HDS 1295 S ECO

GRUPPE: 1.0 GEHAEUSE GROUP: 1.0 HOUSING GROUPE: 1.0 BOITIER	A1-G1	GRUPPE: 9.0 SICHERHEITSBLOCK GROUP: 9.0 SAFETY SYSTEM GROUPE: 9.0 BLOC DE SECURITE	A9-C9
GRUPPE: 2.0 PUMPENSATZ GROUP: 2.0 PUMP SET GROUPE: 2.0 JEU (ENSEMBLE) DE POMPE	A2-G2	GRUPPE: 10.0 ZUBEHOER GROUP: 10.0 ACCESSORIES GROUPE: 10.0 ACCESSOIRES	A10-G10
GRUPPE: 3.0 MOTOR GROUP: 3.0 MOTOR GROUPE: 3.0 MOTEUR	A3-C3	GRUPPE: 11.0 INSTRUMENTENTAFEL GROUP: 11.0 CONTROL PANEL GROUPE: 11.0 TABLEAU DE BORD	A11-C11
GRUPPE: 4.0 GEBLAESE GROUP: 4.0 BLOWER GROUPE: 4.0 VENTILATEUR	A4-C4		
GRUPPE: 5.0 BRENNSTOFFSYSTEM GROUP: 5.0 FUEL SYSTEM GROUPE: 5.0 SYSTEME DE COMBUSTIBLE	A5-E5		
GRUPPE: 6.0 E-GERAETESCHRANK GROUP: 6.0 ELECTRIC CONTROL BOX GROUPE: 6.0 COFFRET ELECTRIQUE	A6-E6		
GRUPPE: 7.0 DURCHLAUFERHITZER GROUP: 7.0 FLOW HEATER GROUPE: 7.0 CHAUFFE-EAU RAPIDE	A7-G7		
GRUPPE: 8.0 SCHWIMMERKASTEN GROUP: 8.0 FLOAT CHEST GROUPE: 8.0 BOITE DU FLOTTEUR	A8-E8		



BEISPIEL: VERSION 1  
EXAMPLE: VERSION 1  
EXEMPLE: VERSION 1

**3.0**

BEISPIEL: SIEHE IN GRUPPE 3  
EXAMPLE: SEE IN GROUP 3  
EXEMPLE: VOIR EN GROUPE 3



WICHTIGER HINWEIS  
IMPORTANT REMARK  
REMARQUAGE IMPORTANT

BESTELLHINWEIS SIEHE M15  
EXAMPLE ORDER SEE M15  
EXEMPLE DE COMMANDE VOIR M15

VARIANTENÜBERSICHT SIEHE L16  
VARIANTS SURVEY SEE L16  
VUE D'ENSEMBLE DE VARIANTS VOIR L16