

Ersatzteilliste

Spare Parts List

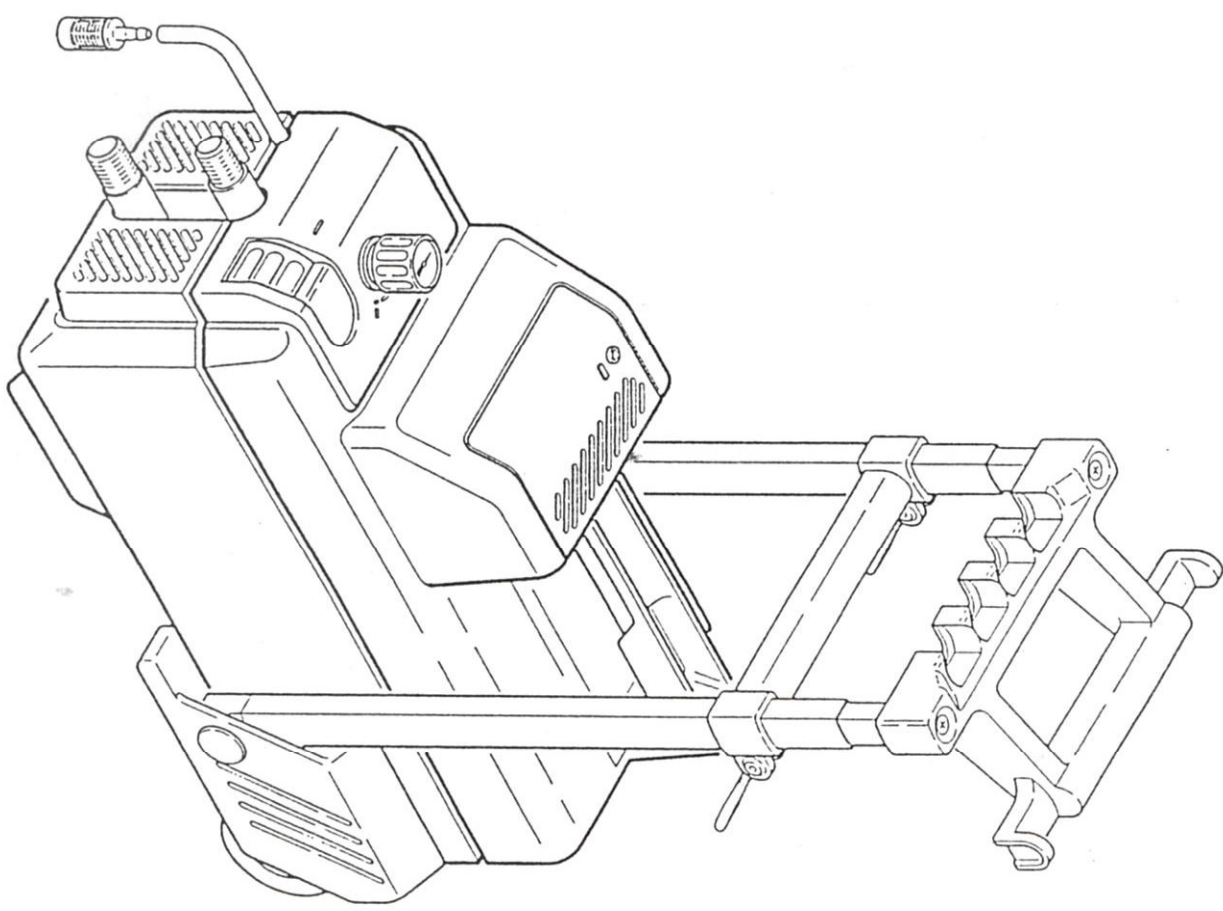
Liste des pièces de rechange

KÄRCHER 695 mobile

1.958-100 D 230 V, 1 Ph. 50 Hz
1.958-120 EUROPA
1.958-280 GB 240 V, 1 Ph. 50 Hz
1.958-290 CH 230 V, 1 Ph. 50 Hz
1.958-330 SKAN.
1.958-350 DK
1.958-600 AUS 240 V, 1 Ph. 50 Hz

A 1

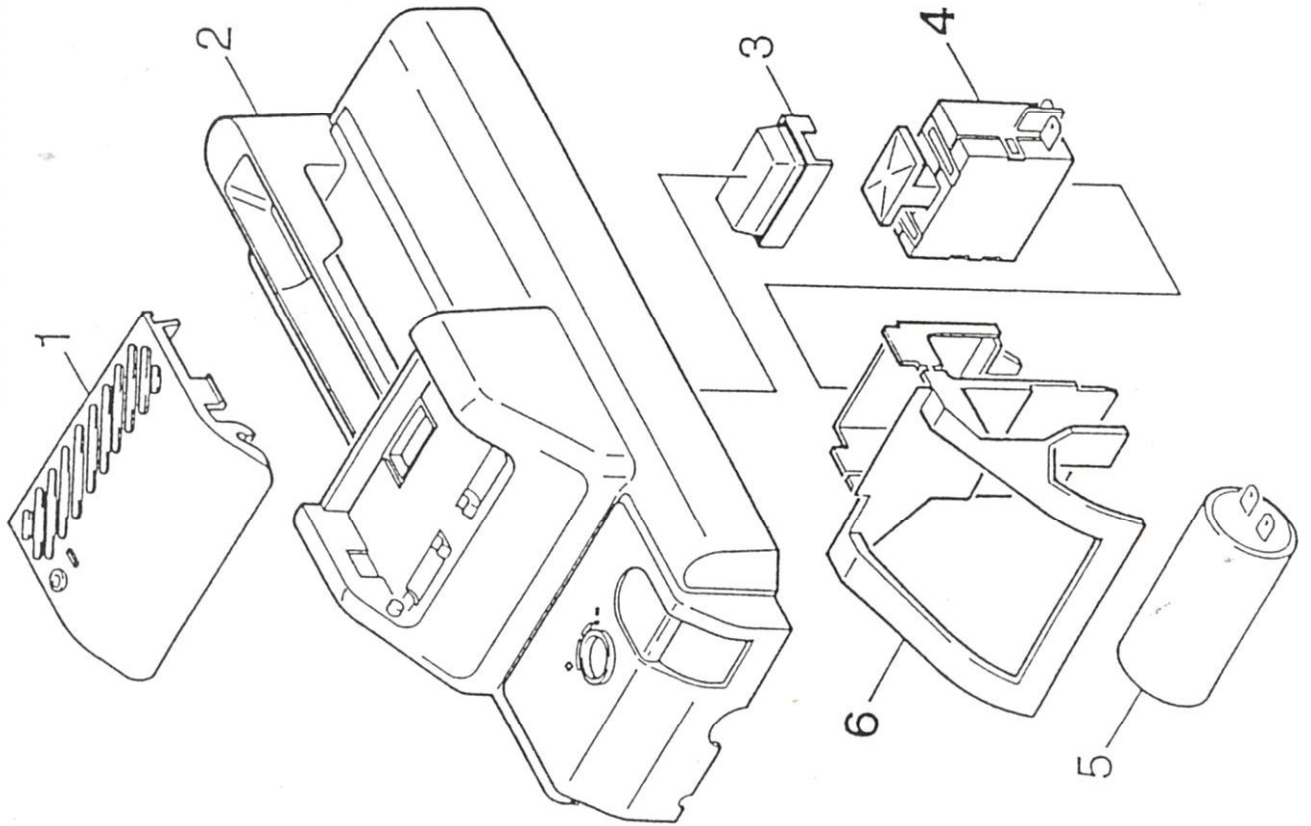
K 695 mobile



Gruppe : 1 Oberteil
 Group : 1 Top part
 Groupe : 1 Partie superieur

B 1

K 695 mobile



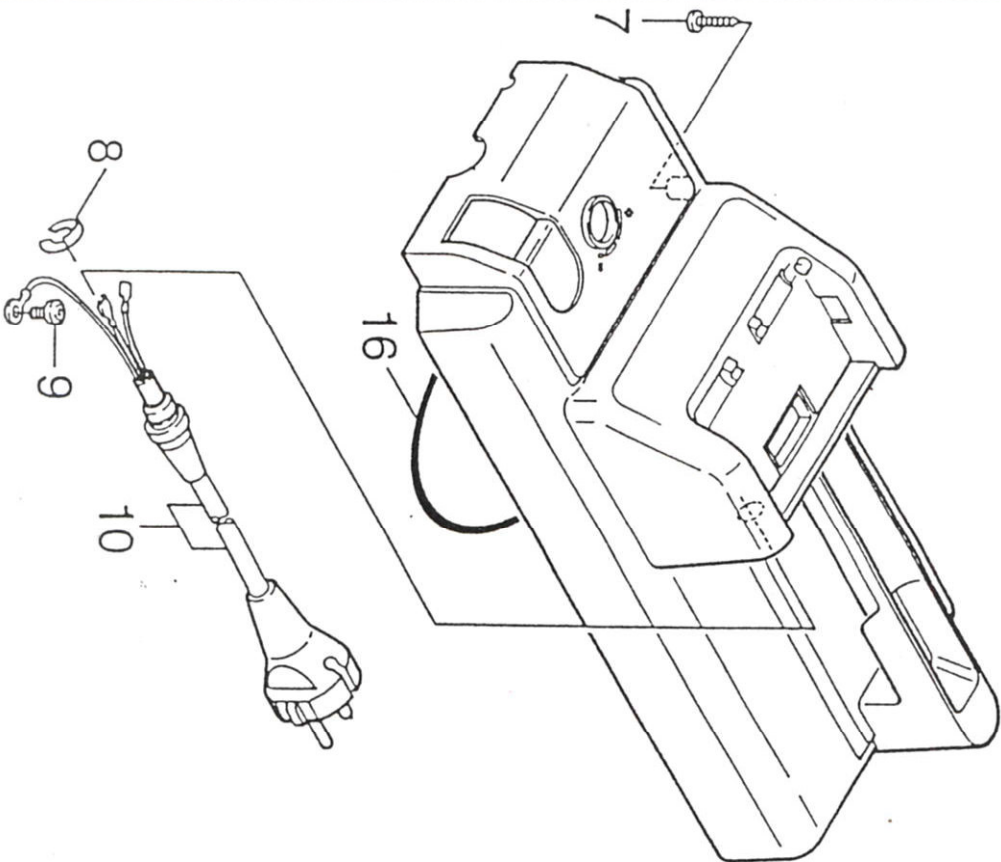
POS. BENENNUNG ITM. DESCRIPTION POS. DESIGNATION	TEILE-NR. PART-NO. NO. PIECE	STCK QTY. NBR.
1 TASTER/ CALIPERS/ BOUTON POUSSOIR/	4.324-008.0	1
2 HAUBE OBERTEIL/ COVER/ CAPOT/	5.066-620.0	1
3 WASSERSCHUTZHAUBE/ PROTECTING CAP/ CAPOT PROT./	6.631-550.0	1
4 SCHALTER/ SWITCH/ INTERRUPTEUR/	6.631-607.0	1
5 KONDENSATOR 25MF/ CAPACITOR/ CONDENSATEUR/	6.661-129.0	1
6 SCHALTERKONSOLE/ BRACKET/ CONSOLE/	6.631-624.0	1



Gruppe : 1 Kabel
 Group : 1 Cable
 Groupe : 1 Cable

C 1

K 695 mobile



POS. BENENNUNG
 ITM. DESCRIPTION
 POS. DESIGNATION

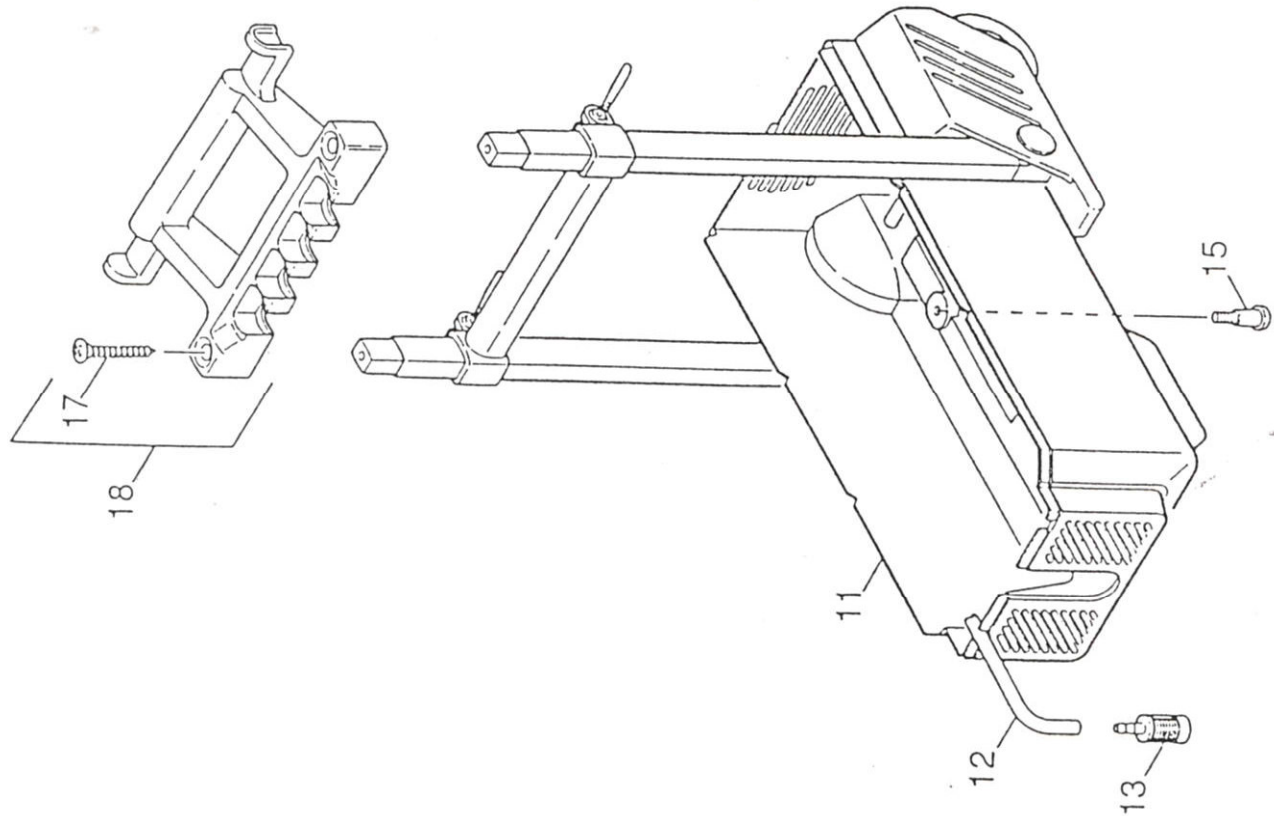
TEILE-NR.
 PART-NO.
 NO. PIECE

STCK
 QTY.
 NBR.

7	LINSENSCHR. 5,0X20 / OVAL HEAD SCREW/ VIS A TETE BOMBEE/	6.303-125.0	6
8	SICHERUNG/ FUSE/ FUSIBLE/	6.343-170.0	1
9	SCHNEIDSCHR. MAX 8/ SELF-TAPPING SCREW/ VIS AUTOTAPRAUDEUSE/	6.303-074.0	1
10	KABEL MIT STECKER/ CABLE/ CABLE/		
16	GUMMRING/ RUBBER RING/ RONDELLE CAOUTCHOUC	5.379-015.0	1

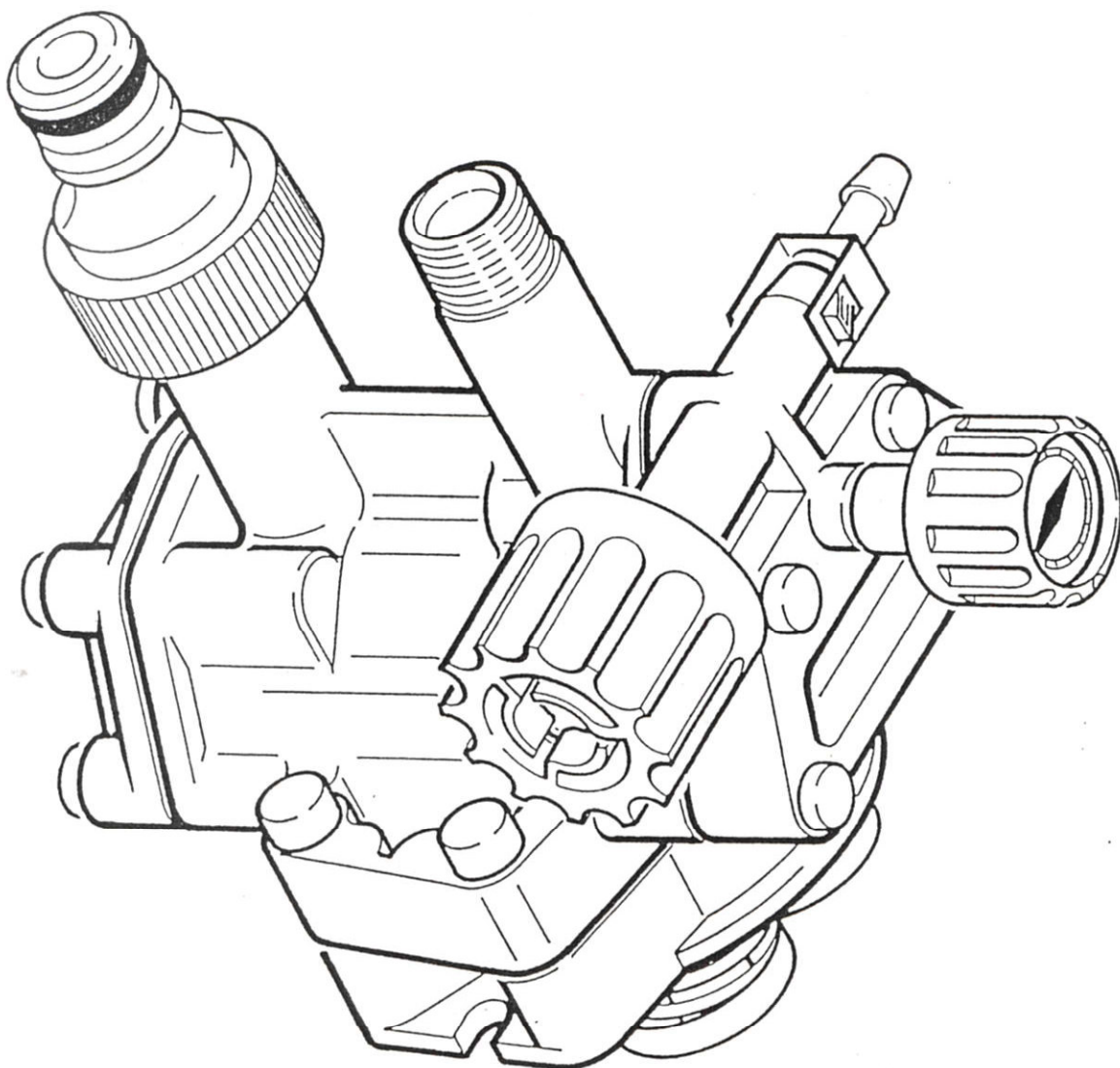
*01
 SIEHE BILDTAFFEL F16/G16
 SEE BOARD F16/G16
 VOIR TABLEAU F16/G16





POS. ITEM. POS.	BENENNUNG DESCRIPTION DESIGNATION	TEILE-NR. PART-NO. NO. PIECE	STCK QTY. NBR.
11	HAUBE UNTERTEIL KPL/ COVER/ CAPOT/	4.066-168.0	1
12	SCHLAUCH DN 5/ HOSE/ TUYAU FLEXIBLE/	6.388-216.0	1
13	FILTER/ FILTER/ FILTRE/	6.414-277.0	1
15	LINSENSCHR. M5X28,5/ OVAL HEAD SCREW/ VIS A TETE BOMBEE/	6.303-084.0	3
17	SCHRAUBE/ SCREW/ VIS/	6.304-078.0	2
18	ET-SET GRIFF+SCHR./ SPARE PARTS SET/ JEU DE PIECES DECHANGE/	2.883-320.0	1

*01 ALS METEWARE BESTELLEN
 TO ORDER AS CUT GOODS
 COMMANDE COMME MARCHANDISE AU METRE

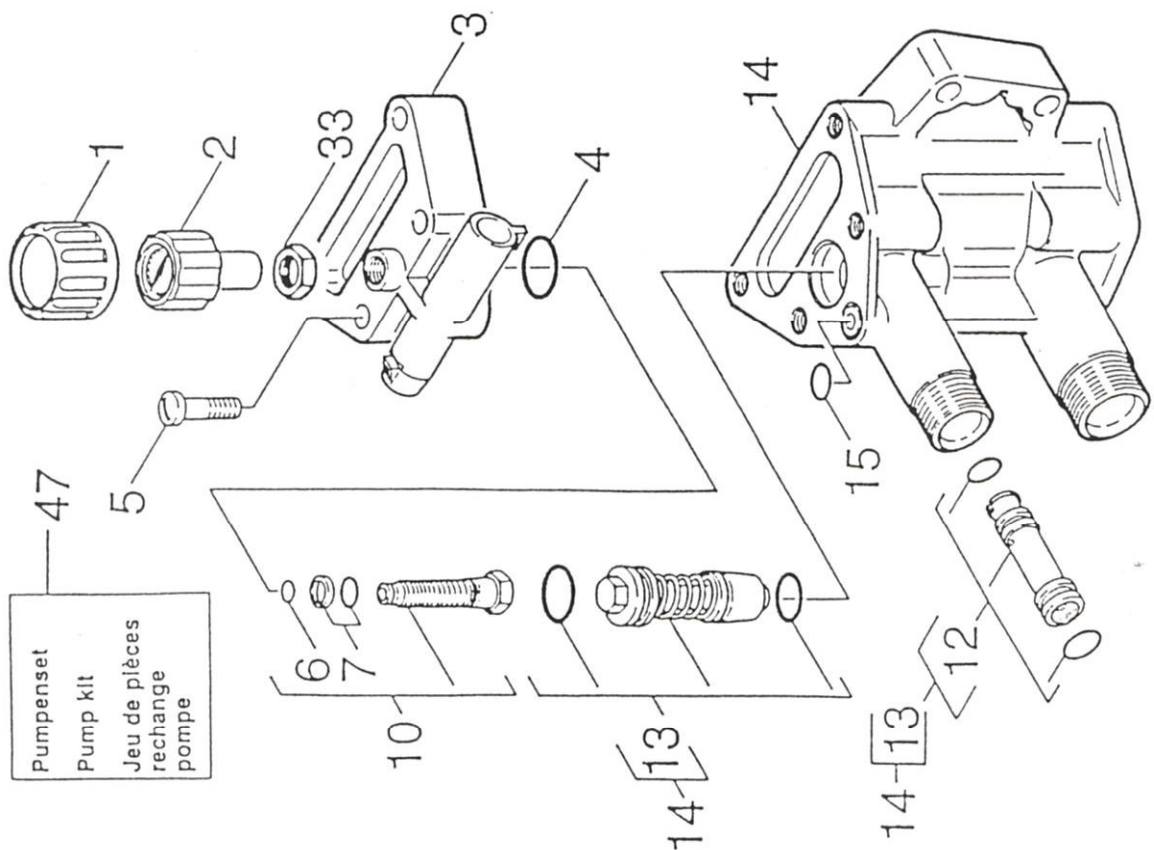


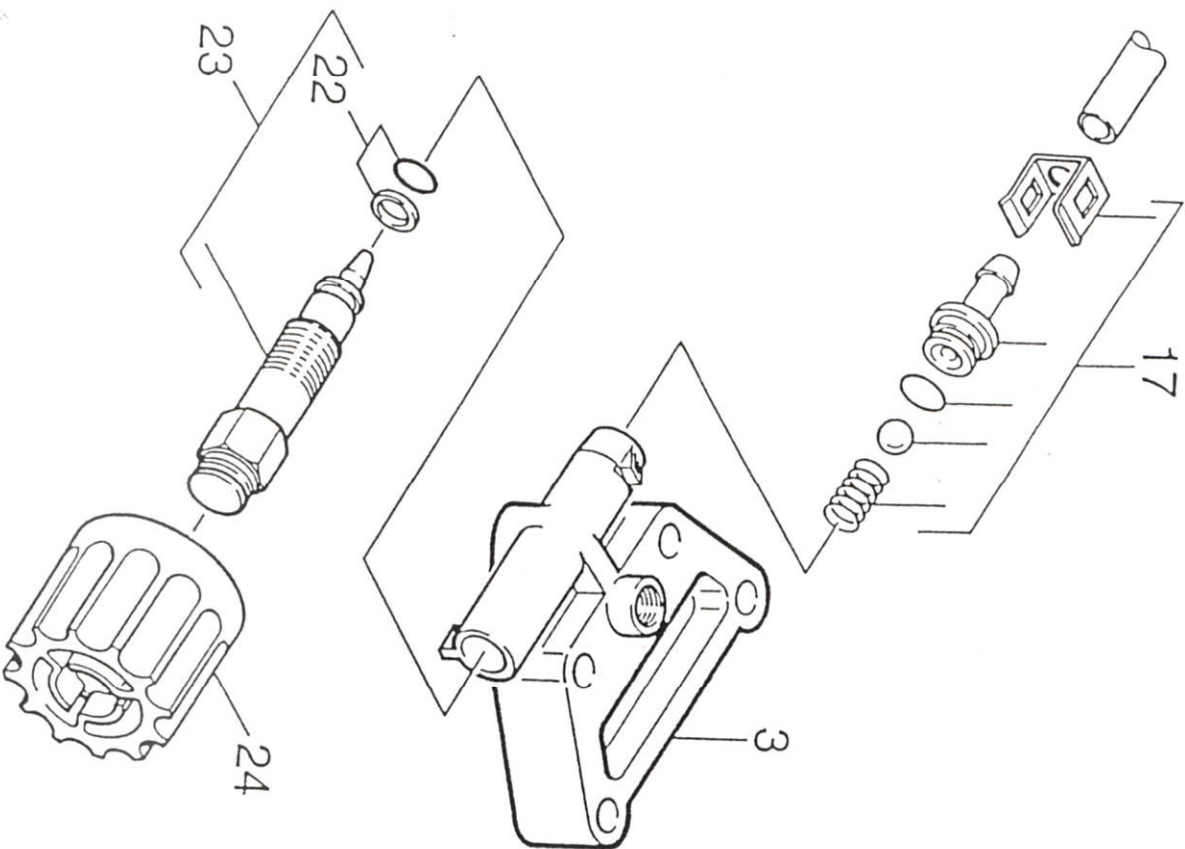
Gruppe : 2 Mengenregulierung
 Group : 2 Control valve
 Groupe : 2 Soupape de reglage

B 2

K 695 mobile

Pos.	Benennung Item Description Pos. Designation	Teile-Nr. Part-No. No. piece	Stück Qty. Nbr.
1	Griff/ Handle/ Poignee	5.321-306.0	1
2	Manometer/ Manometer/ Manometre	6.421- 335 ²⁰² .0	1
3	Gehaeusedeckel/ Cover/ Couverture	5.060-353.0	1
4	O-Ring 17,17x 1,78/ O-Ring/ Joint Torique	6.362-666.0	1
5	Schneidschr. M 8x40/ Self-Tapping Screw/ Vis Autotaraudeuse	6.303-144.0	4
6	O-Ring 3,75x 1,6/ O-Ring/ Joint Torique	7.362-505.0	1
7	O-Ring Kpl./1st.-R./ O-Ring Compl./ Joint Torique Compl	6.362-719.0	1
10	Spindel/ Spindle/ Pivot	4.291-003.0	1
12	Dueseneinsatz/ Nozzle Insert/ Insert de Tuyere	4.769-021.0	1
13	ET-Set Überströmventil/ Spare Parts Kit Spill Valve/ Jeu de Pieces de Rechange (Valve de Barrage)	2.883-211.0	1
14	Zylinderkopf/ Cylinder Head/ Culasse de Cylindr.	4.550-185.0	1
15	O-Ring 8,0 X 2,0/ O-Ring/ Joint Torique	6.362-101.0	1
33	6kt-Mutter M 8x0,75/ Hexagon Nut/ Ecrou Hexagonal	6.310-058.0	1
47	Pumpenset siehe Bildtafel H16/ Pump Kit see Board H16/ Jeu de Pieces de Rechange Pompe voir Tableau H16	2.883-205.0	1





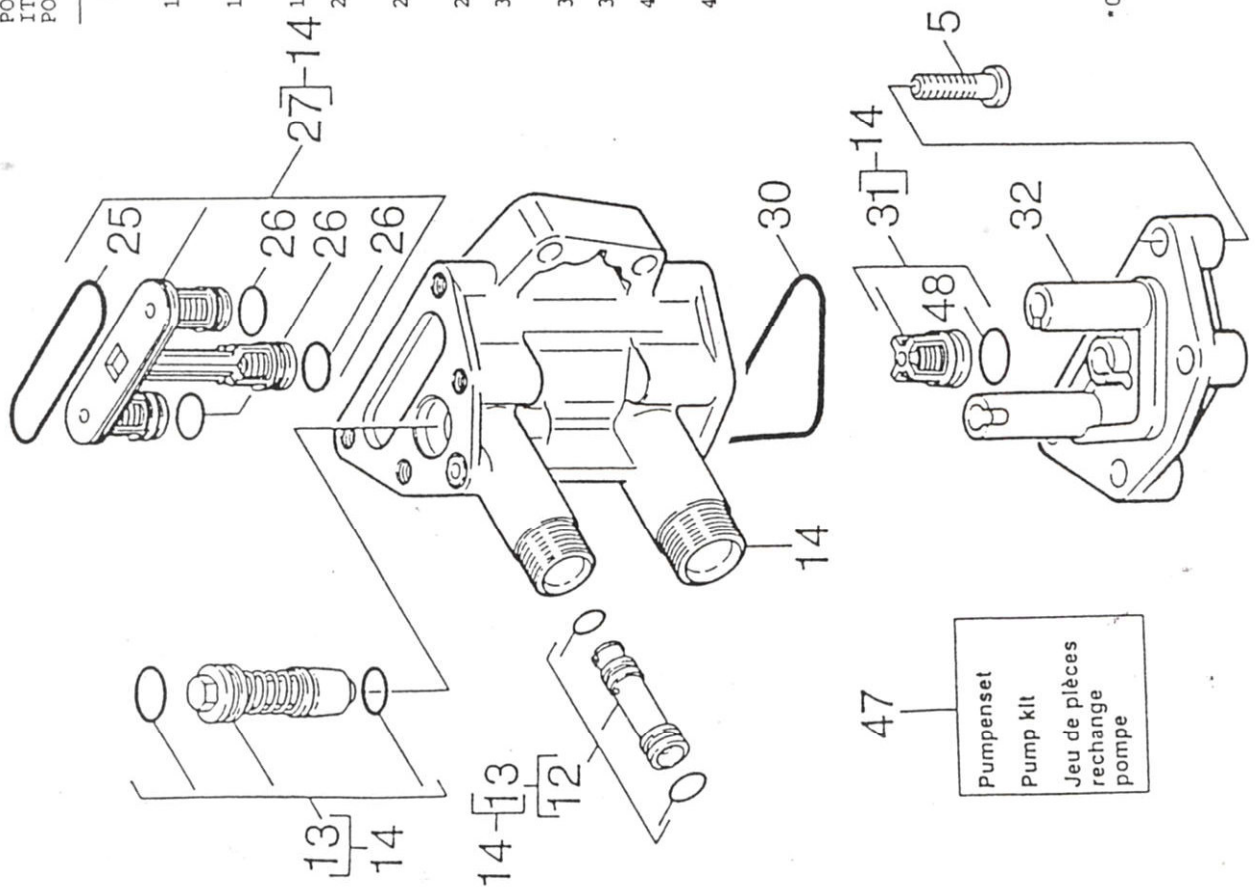
Pos. Benennung Item Description Pos. Designation	Teil-Nr. Part-No. No. piece	Stück Qty. Nbr.
3 Gehäusegedeckel/ Cover/ Couverture	5.060-353.0	1
17 Ersatzteilset-CHEMIE/ Spare Parts Kit (Chemical)/ Jeu de pieces de rechange (Chimique)	2.883-158.0	1
22 O-Ring Kpl./1st.-R./ O-Ring/ Joint Torique	6.362-368.0	1
23 Spindel/ Spindle/ Pivot	4.291-004.0	1
24 Griff/ Handle/ Poignee	5.321-305.0	1

Gruppe : 2 Ventile
 Group : 2 Valves
 Groupe : 2 Soupapes

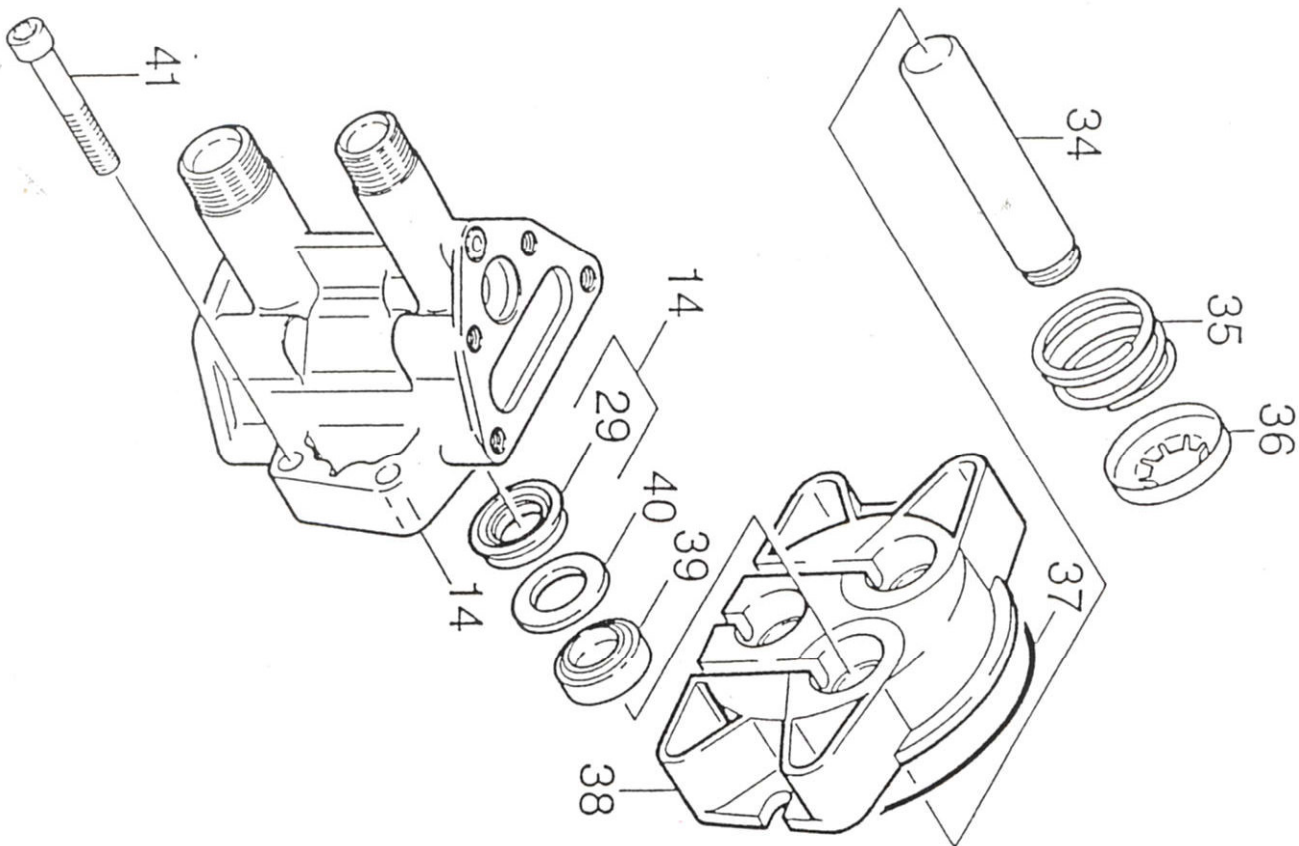
D 2

K 695 mobile

POS. ITEM. POS.	BENENNUNG DESCRIPTION DESIGNATION	TEILE-NR. PART-NO. NO. PIECE	STCK QTY. NBR.
5	SCHNEIDSCHR. MBX 40/ SELF-TAPPING SCREW/ VIS AUTOTARAUDEUSE/	6.303-144.0	4
12	DUESENEINSATZ 695/ NOZZLE INSERT/ INSERT DE BUSE/	4.769-021.0	1
13	ERSATZTEILSET/ SPARE PARTS KIT/ KIT DE PIECES/	2.883-211.0	1
14	ZYLINDERKOPF KPL/ CYLINDER HEAD/ CULASSE/	4.550-185.0	1
25	O-RING 31,0 X 2,5/ GASKET/ BAQUE D'ETANCHEITE/	6.362-798.0	1
26	O-RING 10,0 X 2,2/ GASKET/ BAQUE D'ETANCHEITE/	6.362-077.0	3
27	DRUCKVENTIL/ PRESSURE VALVE/ SOUPAPE/	4.580-196.0	1
30	O-RING 40,0 X 2,0/ GASKET/ BAQUE D'ETANCHEITE/	6.362-216.0	1
31	SAUGVENTIL/ VALVE/ SOUPAPE/	4.580-205.0	3
32	GEHAEUSE SAUGDECKEL/ HOUSING/ CARTER/	5.091-867.0	1
47	ERSATZTEILSET/ SPARE PARTS KIT/ KIT DE PIECES/	2.883-205.0	1
48	O-RING 10,0 X 2,5/ GASKET/ BAQUE D'ETANCHEITE/	6.362-728.0	3



*01 SIEHE BILDTAFEL H 16
 SEE BOARD H 16
 VOIR TABLEAU H 16



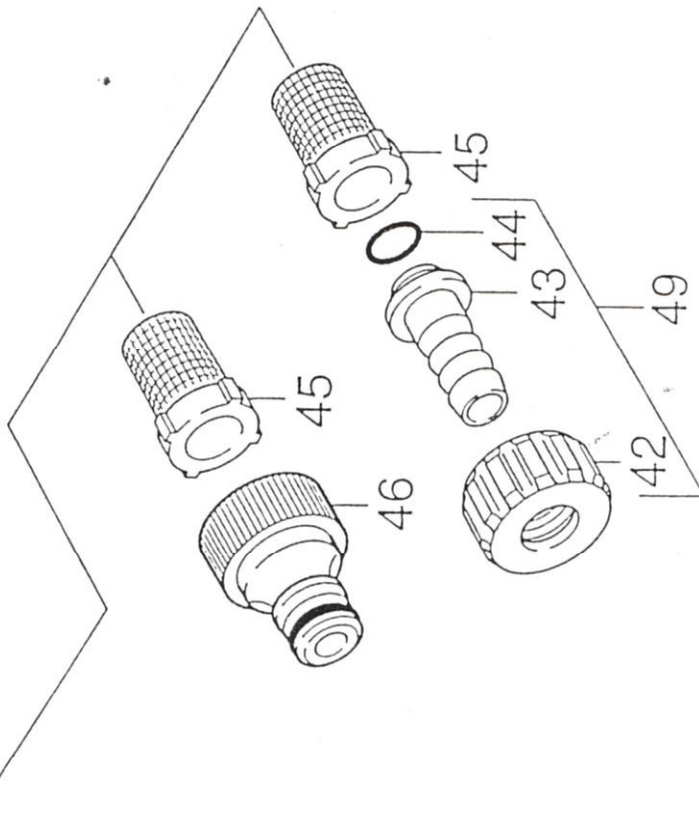
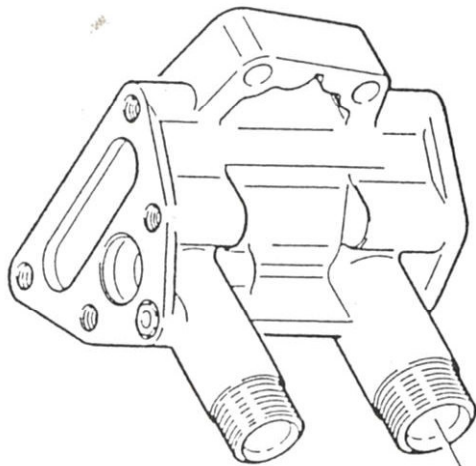
POS. ITM. POS.	BENENNUNG DESCRIPTION DESIGNATION	TEILE-NR. PART-NO. NO. PIECE	STCK QTY. NBR.
14	ZYLINDERKOPF KPL/ CYLINDER HEAD/ CULASSE/	4.550-185.0	1
29	NUTRING/ GROOVED RING/ JOINT EN U A LEVRES/	6.365-341.0	3
34	KOLBEN/ PISTON/ PISTON/	5.553-231.0	3
35	SCHRAUBENFEDER/ HELICAL SPRING/ RESSORT CYLINDRIQUE/	5.332-251.0	3
36	FORMTEIL/ MOULDED PART/ PREFORME/	5.030-625.0	3
37	O-RING 80,0 X 3,0/ GASKET/ BAQUE D'ETANCHEITE/	6.362-471.0	1
38	GEHAUSE GERADSCH. / HOUSING/ CARTER/	5.060-349.0	1
39	NUTRING 14X22X 7/ GROOVED RING/ JOINT EN U A LEVRES/	6.365-340.0	3
40	SCHIBE/ WASHER/ RONDELLE/	5.115-471.0	3
41	LINSENSCHR. M 8X 60/ OVAL HEAD SCREW/ VIS A TETE BOMBEE/	6.304-051.0	4



Gruppe : 2 Wasseranschluß
 Group : 2 Supply of water
 Groupe : 2 Prise d'eau

F 2

K 695 mobil



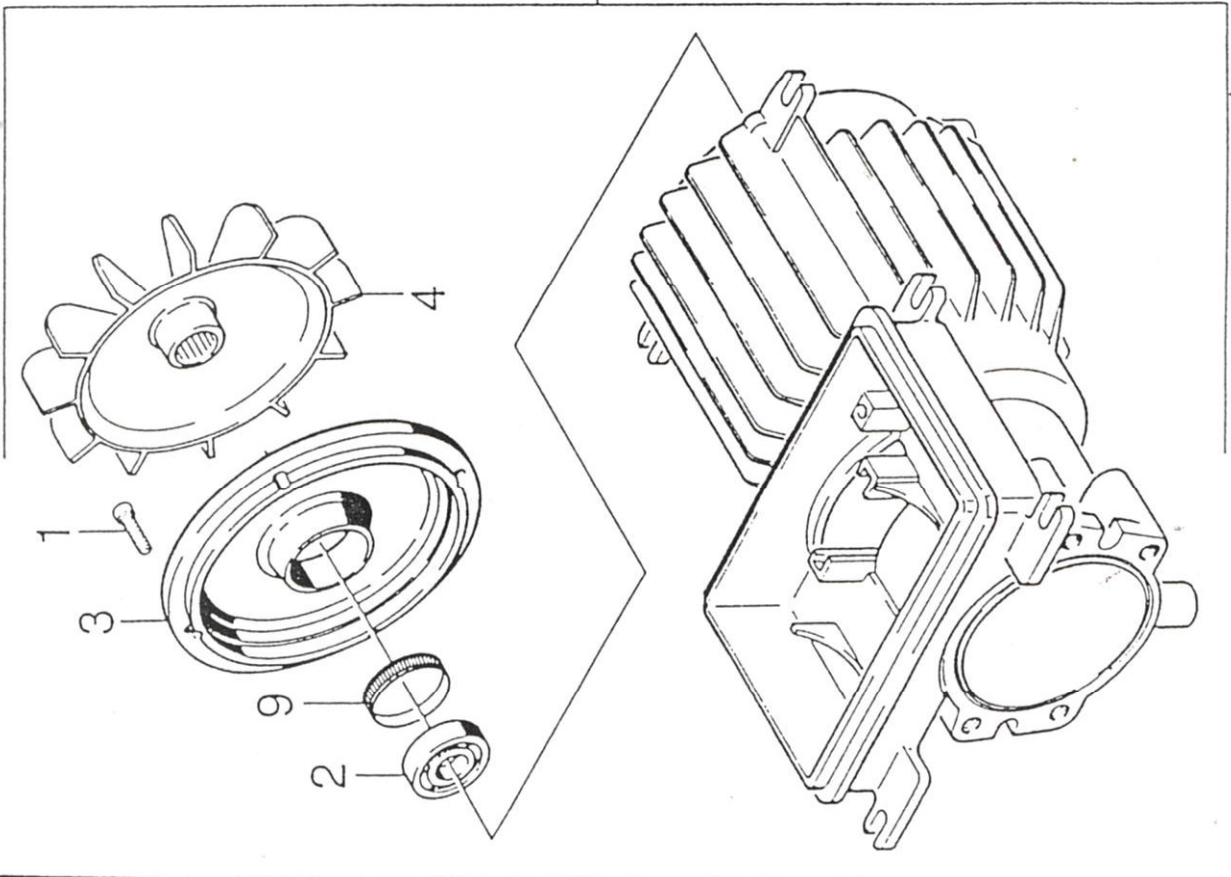
POS. BENENNUNG ITM. DESCRIPTION POS. DESIGNATION	TEILE-NR. PART-NO. NO. PIECE	S Q N
42 MUTTER/ NUT/ ECRU/	5.310-065.0	
43 SCHLAUCHNIPPEL/ HOSE STEM/ RACCORD DE FLEXIBLE/	5.443-229.0	
44 O-RING 13,3 X 2,4/ GASKET/ BAQUE D'ETANCHEITE/	6.362-078.0	
45 SIEB/ STRAINER/ CREPINE/	6.414-384.0	
46 KUPPLUNGSTEIL 3/8Z/ COUPLING ELEMENT/ PIECE D'ACCOUPL./	6.388-576.0	
49 VERSCHRAUBUNGSTEIL/ SCREW UNION PART/ PIECE (RACCORD A VIS)/	4.401-056.0	

Gruppe : 3 Lüftung
 Group : 3 Ventilation
 Groupe : 3 Ventilation

B 3

K 695 mobile

Pos. Benennung Item Description Pos. Designation	Teile-Nr. Part-No. No. piece	Stück Qty. Nbr.
0 Motor Vollst./ Motor Compl./ Moteur Compl.	4.623-153.0	1
1 Zyl.schr. M5x20/ Cheese-Head Screw/ Vis A Tete Cylindr.	6.303-076.0	4
2 Kugellager 6003-2RS/ Ball Bearing/ Roulement A Billes	7.401-105.0	1
3 Deckel B-Lager/ Cover/ Couvercle	5.063-362.0	1
4 Laufrad/ Running Wheel/ Roue de Roulement	5.600-030.0	1
9 Toleranzring 35x6/ Tolerance Ring/ Bague	6.343-015.0	1



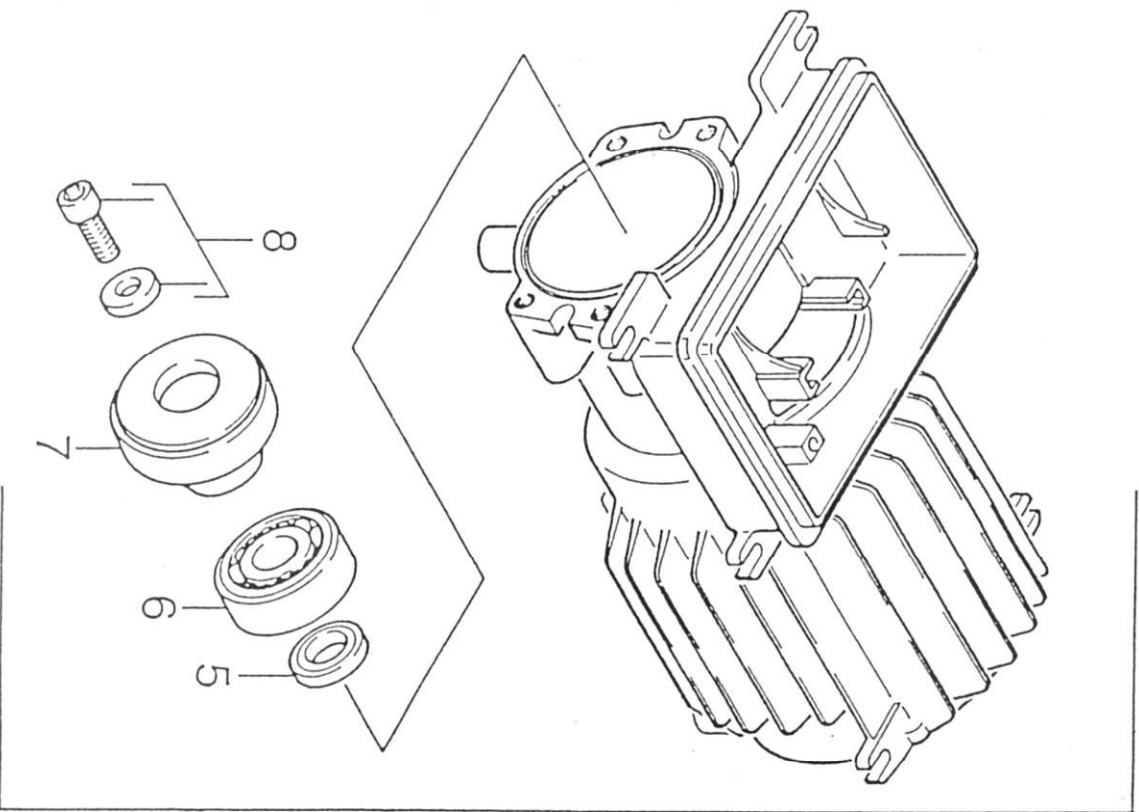
0.177-498

1.958-700

Gruppe : 3 Antrieb
 Group : 3 Gear
 Groupe : 3 Entraînement

C 3

K 695 mobile



Pos. Benennung
 Item Description
 Pos. Designation

Teil-Nr.
 Part-No.
 No. piece

Stück
 Qty.
 Nbr.

0	Motor Vollst./ Motor Compl. / Moteur Compl.	4.623-153.0	1
5	W.dichtringa26x37x7/ Rotary Shaft Seal/ Bague A Levres Res.	7.367-018.0	1
6	Kugellager 6304/ Ball Bearing/ Roulement A Billes	7.401-155.0	1
7	Taunelscheibe/ Swash Plate/ Disque En Nutation	6.401-194.0	1
8	Zyl.schraube M 6x20/ Cheese Head Screw/ Vis A Tete Cylindr.	6.304-048.0	1

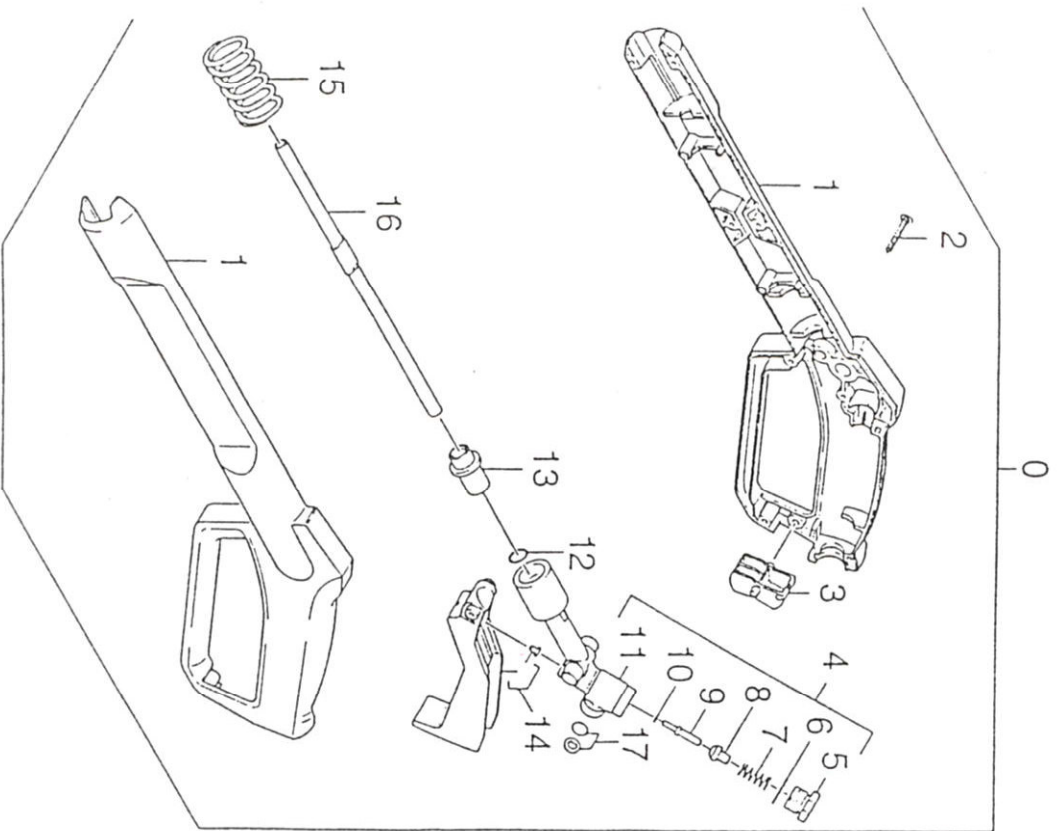


0.777-497

7558-100

Gruppe : 4 Handspritzpistole
 Group : 4 Trigger gun
 Groupe : 4 Poignee pistolet

B 4 K 695 mobile



POS. ITEM. POS.	BENENNUNG DESCRIPTION DESIGNATION	TEILE-NR. PART-NO. NO. PIECE	STCK QTY. NBR.
0	HANDSPRITZPISTOLE/ TRIGGER GUN/ POIGNEE PISTOLET/	4.775-184.0	1
1	GRIFPPAAR/ HANDLES/ BRANCHES POIGNEE/	5.321-412.0	1
2	LINSENSCHR. 4,2X 13/ OVAL HEAD SCREW/ VIS A TETE BOMBEE/	6.303-122.0	9
3	HEBEL/ LEVER/ LEVIER/	5.481-052.0	1
4	KNOTENSTUECK/ MANI FOLD/ FERRURE NODALE/	4.427-150.0	1
5	VERSCHLUSSSCHRAUBE/ CLOSING SCREW/ VIS DE FERMETURE/	5.411-054.0	1
6	O-RING 12,42X 1,78/ GASKET/ BAQUE D'ETANCHEITE/	6.362-480.0	1
7	SCHRAUBENFEDER/ HELICAL SPRING/ RESSORT CYLINDRIQUE/	5.332-157.0	1
8	VENTILTUELLER/ VALVE DISC/ TETE DE SOUPE/	5.582-058.0	1
9	STANGE/ BAR/ TIGE/	5.107-067.0	1
10	O-RING 2,8 X 1,6/ GASKET/ BAQUE D'ETANCHEITE/	7.362-502.0	1
11	KNOTENSTUECK/ MANI FOLD/ FERRURE NODALE/	5.427-166.0	1
12	O-RING 7,8 X 3,6/ GASKET/ BAQUE D'ETANCHEITE/	6.362-802.0	1
13	HUELSE/ SLEEVE/ DOUILLE/	5.110-477.0	1
14	HEBEL/ LEVER/ LEVIER/	4.481-035.0	1
15	SCHRAUBENFEDER/ HELICAL SPRING/ RESSORT CYLINDRIQUE/	5.332-247.0	1
16	ROHR/ PIPE/ TUYAU/	5.028-486.0	1
17	O-RING KPL./1ST.-R./ GASKET/ BAQUE D'ETANCHEITE/	6.362-422.0	1



0.146-416

1.958-700

Gruppe : 4 Schlauch
 Group : 4 Hose
 Groupe : 4 Tuyau flexible

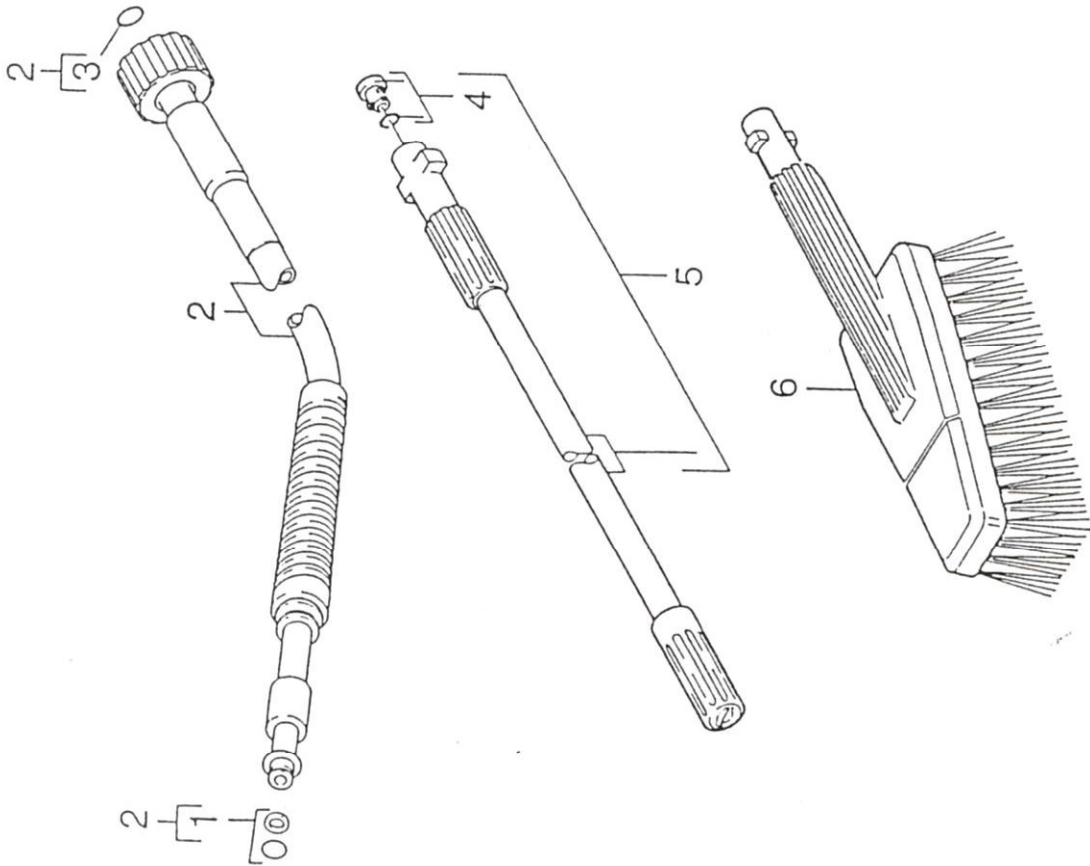
C 4 KÄRCHER 695/600

POS. BENENNUNG
 ITM. DESCRIPTION
 POS. DESIGNATION

TEILE-NR.
 PART-NO.
 NO. PIECE

STÜCK
 QTY.
 NBR.

1	O-RING KPL./1ST.-R./ GASKET/ BAQUE D'ETANCHEITE/	6.362-422.0	1
2	HD-SCHLAUCH DN6/ HIGH PRESSURE HOSE/ TUYAU FLEXIBLE HAUTE PRE./	6.389-555.0	1
3	ERSATZTEILSET/ SPARE PARTS KIT/ KIT DE PIECES/	2.880-296.0	1
4	ERSATZTEILSET/ SPARE PARTS KIT/ KIT DE PIECES/	2.883-111.0	1
5	STRAHLROHR M.D.035/ JET PIPE/ LANCE D'INCENDIE/	4.760-242.0	1
6	WASCHBUERSTE/ WASH BRUSH/ BROSSE/	6.903-276.0	1



0.746-495

7.958-700