

**Ersatzteilliste**  
**Spare Parts List**  
**Liste des pièces de rechange**

# HDS 690

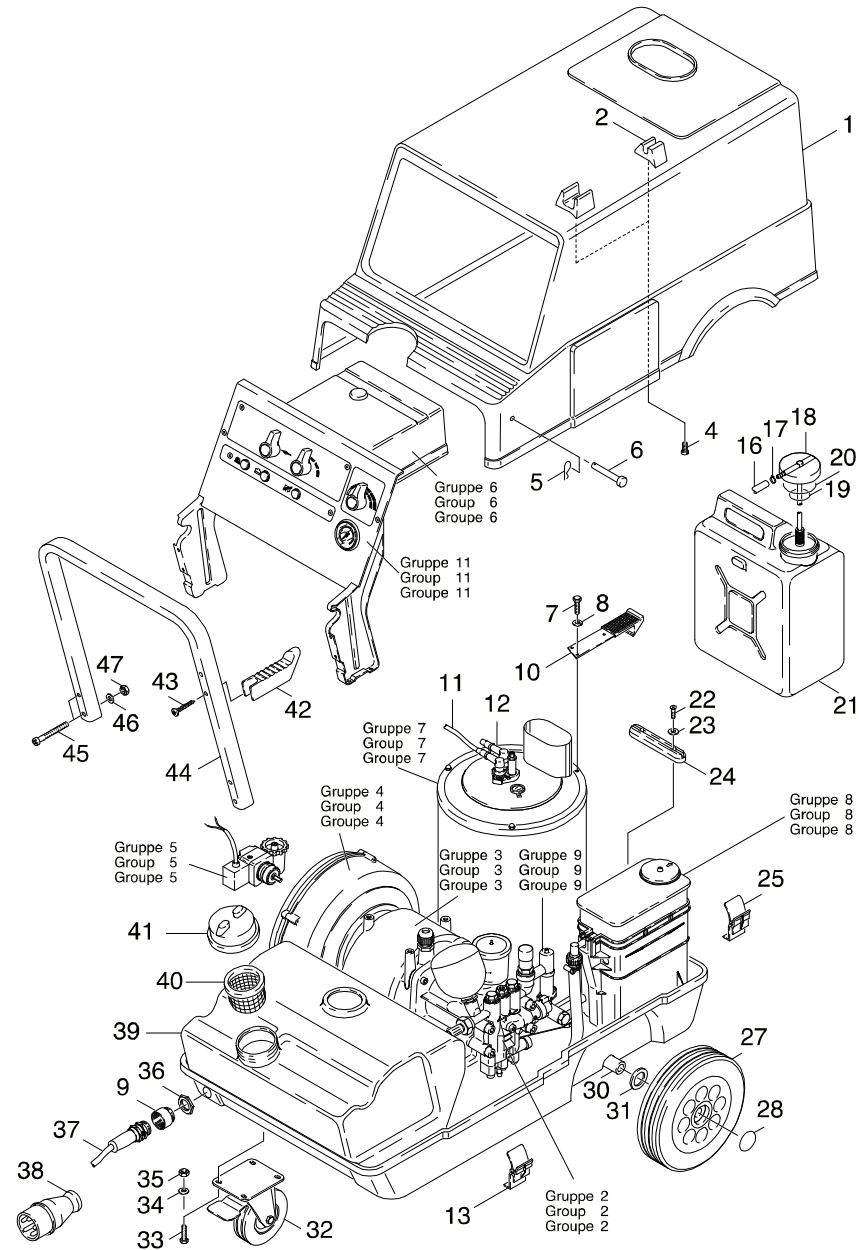
- 1.900-111.0 HDS 690 \* EUROPA
- 1.900-801.0 HDS 690 - ARAL
- 1.900-811.0 HDS 690 - BP
- 1.900-821.0 HDS 690 - ESSO

GRUPPE: 1.0 EINZELTEILE  
GROUP: 1.0 PIECE PARTS  
GRUPPE: 1.0 PIECES CONSTITUANTES

**A1**

**HDS 690**

**GRUPPE: 1.0 EINZELTEILE**  
**GROUP: 1.0 PIECE PARTS**  
**GRUPPE: 1.0 PIECES CONSTITUANTES**



Symbolbeschreibung siehe M16 / symbol description see M16 / désignation de système voir M16 /

GRUPPE: 1.0 EINZELTEILE  
 GROUP: 1.0 PIECE PARTS  
 GROUPE: 1.0 PIECES CONSTITUANTES

C1

HDS 690

POS. ITM. POS.	BENNENUNNG DESCRIPTION DESIGNATION	TEILE-NR. PART-NO. NO.PIECE	STCK QTY. NBR.	POS. ITM. POS.	BENNENUNNG DESCRIPTION DESIGNATION	TEILE-NR. PART-NO. NO.PIECE	STCK QTY. NBR.
1	HAUBE / COVER / CAPOT	5.066-336.0	1	33	6KT-SCHR. M 8X 16 / HEXAGONAL HEAD SCREW / VIS HEXAGONAL	7.304-395.0	4
2	HALTER / BRACKET / FIXATION	5.042-406.0	1	34	SCHEIBE 8 / WASHER / RONDELLE	7.312-004.0	4
3	HALTER / BRACKET / FIXATION	5.042-402.0	1	35	6KT-MUTTER M 8 / HEXAGON NUT / ECROU HEXAGONAL	7.311-004.0	4
4	LINSENSCHR. 4,2X 13 / OVAL HEAD SCREW / VIS A TETE BOMBEE	6.303-122.0	3	36	GEGENMUTTER PG13.5 / COUNTERNUT / CONTRE-ECROU	6.641-480.0	1
5	SICHERUNG / CLIP / CONSOLIDATION	6.343-006.0	2	37	KABEL / CABLE / CABLE	6.641-587.0	1
6	BOLZEN / BOLT / BOULON	6.373-322.0	2	38	CEE-STECKER 16A / CEE-PLUG / CEE-FICHE	6.646-030.0	1
7	ZYL.SCHR. M 5X 12 / CHEESE HEAD SCREW / VIS A TETE CYLINDR.	7.306-443.0	1	39	TANK / TANK / RESERVOIR	5.071-024.0	1
8	FEDERRING B 5 / SPRING WASHER / RONDELLE GROWER	7.313-002.0	1	40	SIEB D 70 / STRAINER / CREPINE	6.414-275.0	1
9	ERWEITERUNGSSTUECK / ADAPTOR / PIECE DE EXTENSION	6.641-394.0	1	41	DECKEL / COVER / COUVERCLE	5.063-217.0	1
10	HALTER / BRACKET / FIXATION	5.042-257.0	1	42	HALTER / BRACKET / FIXATION	5.042-253.0	2
11	ZUENDKABEL 1 / IGNITION CABLE / FIL D'AMORCE	6.641-177.0	1	43	BL.SCHR. ST5,5X55,0 / SHEET METAL SCREW / VIS A TOLE	6.305-005.0	2
	<b>ALS METERWARE BESTELLEN/TO ORDER AS CUT GOODS/COMMANDE COMME MARCHANDISE AU METRE</b>			44	GRIFF / HANDLE / POIGNEE	5.321-121.0	1
12	KERZENSTECKER / SPARK PLUG SOCKET / COSSE DE BOUGIE	6.618-057.0	2	45	SCHRAUBE M 6X 50 / SCREW / VIS	7.306-133.0	4
13	HALTER / BRACKET / FIXATION	5.042-320.0	1	46	SCHEIBE 6 / WASHER / RONDELLE	7.312-276.0	4
16	SCHLAUCH DN 7 / HOSE / TUYAU FLEXIBLE	6.388-225.0	2	47	6KT-MUTTER M 6 / HEXAGON NUT / ECROU HEXAGONAL	7.311-425.0	4
	<b>ALS METERWARE BESTELLEN/TO ORDER AS CUT GOODS/COMMANDE COMME MARCHANDISE AU METRE</b>			100	ERSATZTEILSET / SPARE PARTS KIT / KIT DE PIECES	2.883-017.0	1
17	SCHLAUCHSCHELLE / HOSE BAND CLIP / COLLIER DE SERRAGE	6.388-559.0	2				
18	FORMTEIL / MOULDED PART / PREFORME	5.030-355.0	1				
19	O-RING 47,0 X 4,5 / GASKET / BAQUE D'ETANCHEITE	6.362-490.0	1				
20	O-RING 80,0 X 4,5 / GASKET / BAQUE D'ETANCHEITE	6.362-491.0	1				
21	TANK / TANK / RESERVOIR	5.071-025.0	1				
22	LINSENSCHR. M 5X 16 / OVAL HEAD SCREW / VIS A TETE BOMBEE	7.306-308.0	2				
23	SCHEIBE 5 / WASHER / RONDELLE	7.312-278.0	2				
24	AUFLAGER / SUPPORT / SUPPORT	5.057-024.0	1				
25	HALTER / BRACKET / FIXATION	5.042-256.0	2				
27	SCHEIBENRAD D 250 / WEB DISC WHEEL / ROUE PLEINE	6.435-072.0	2				
28	SCHNELLBEFESTIGER / QUICK-FASTENER / ATTACHE RAPIDE	6.343-137.0	2				
29	SCHRAUBE M 8X 16 / SCREW / VIS	6.303-031.0	2				
30	ACHSE / AXLE / ESSIEU	5.105-063.0	1				
31	SCHEIBE 24 / WASHER / RONDELLE	7.312-060.0	8				
32	LENKROLLE D 125 / CASTOR / ROUE PIVOTANTE	6.435-073.0	1				

"=> xxxxxx" = bis Werknummer / up to serial No. / jusqu' au No. de fabr. / "xxxxxx =>" = ab Werknummer / from serial No. / a partir du No. de fabr. /

GRUPPE: 2.0 PUMPENSATZ  
GROUP: 2.0 PUMP SET  
GRUPPE: 2.0 JEU (ENSEMBLE) DE POMPE

**A2**

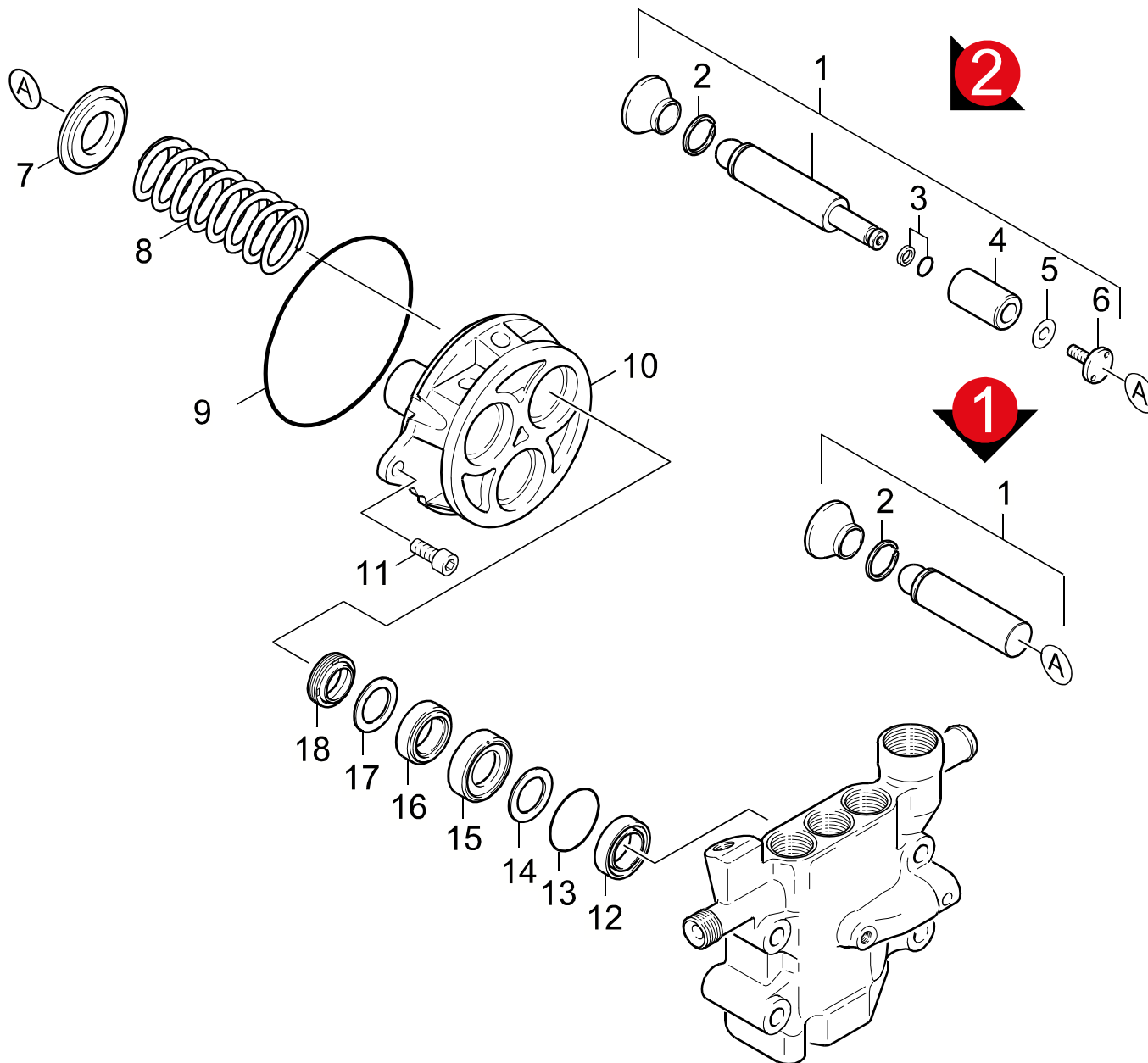
**HDS 690**

**GRUPPE: 2.0 PUMPENSATZ**  
**GROUP: 2.0 PUMP SET**  
**GRUPPE: 2.0 JEU (ENSEMBLE) DE POMPE**

GRUPPE: 2.1 KOLBEN  
GROUP: 2.1 PISTON  
GRUPPE: 2.1 PISTON

# B2

# HDS 690



Symbolbeschreibung siehe M16 / symbol description see M16 / désignation de système voir M16 /

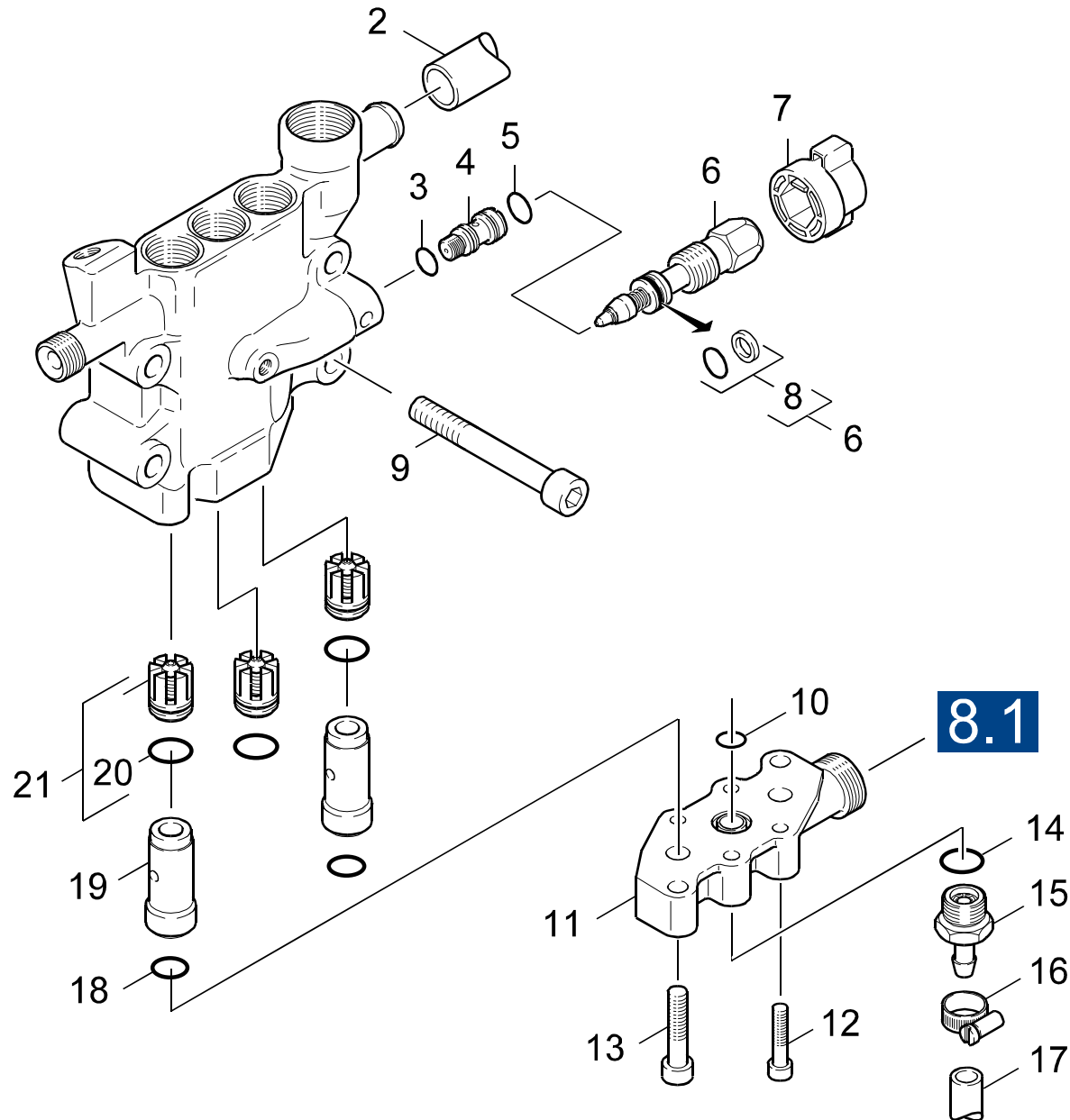
GRUPPE: 2.1 KOLBEN  
GROUP: 2.1 PISTON  
GROUPE: 2.1 PISTON

C2

HDS 690

POS. ITM. POS.	BENNENUNG DESCRIPTION DESIGNATION	TEILE-NR. PART-NO. NO.PIECE	STCK QTY. NBR.
1	KOLBEN KPL. / PISTON / PISTON <b>VERSION 2/VERSION 2/VERSION 2</b>	4.553-075.0	3
1	KOLBEN KPL. / PISTON / PISTON <b>VERSION 1/VERSION 1/VERSION 1</b>	4.553-128.0	3
2	SPRENGRING 20 / RETAINER / CIRCLIP	6.472-331.0	3
3	O-RING KPL./1ST.-R. / GASKET / BAQUE D'ETANCHEITE	6.362-365.0	3
4	KERAMIKHUELSE / CERAMIC POD / DOUILLE CERAMIQUE	5.110-220.0	3
5	DICHTRING / JOINT RING / BAGUE D'ETANCHEITE	5.363-162.0	3
6	FORMSCHRAUBE / FORM SCREW / VIS	5.305-111.0	3
7	SCHEIBE / WASHER / RONDELLE	5.115-289.0	3
8	SCHRAUBENFEDER / HELICAL SPRING / RESSORT CYLINDRIQUE	5.332-150.0	3
9	O-RING 100,0 X 1,78 / GASKET / BAQUE D'ETANCHEITE	6.362-448.0	1
10	GEHAEUSE / HOUSING / BOITIER	5.060-182.0	1
11	ZYL.SCHR. M 8X 20 / CHEESE HEAD SCREW / VIS A TETE CYLINDR.	7.306-041.0	3
12	NUTRING / GROOVED RING / JOINT A LEVRES	6.365-051.0	3
13	O-RING 34,65X 1,78 / GASKET / BAQUE D'ETANCHEITE	6.362-484.0	3
14	SCHEIBE / WASHER / RONDELLE	5.115-224.0	3
15	BUCHSE / BUSH / DOUILLE	5.112-181.0	3
16	KOMPAKTDI. 20X30X6 / SEAL / JOINT	6.365-053.0	3
17	SCHEIBE / WASHER / RONDELLE	5.115-255.0	3
18	NUTRING 20X28X6/8 / GROOVED RING / JOINT A LEVRES	6.365-052.0	3
100	PUMPENSET / PUMP SET / GROUPE DE POMPES	2.880-283.0	1

"=> xxxxxx" = bis Werknummer / up to serial No. / jusqu' au No. de fabr. / "xxxxxx =>" = ab Werknummer / from serial No. / a partir du No. de fabr. /



Symbolbeschreibung siehe M16 / symbol description see M16 / désignation de système voir M16 /



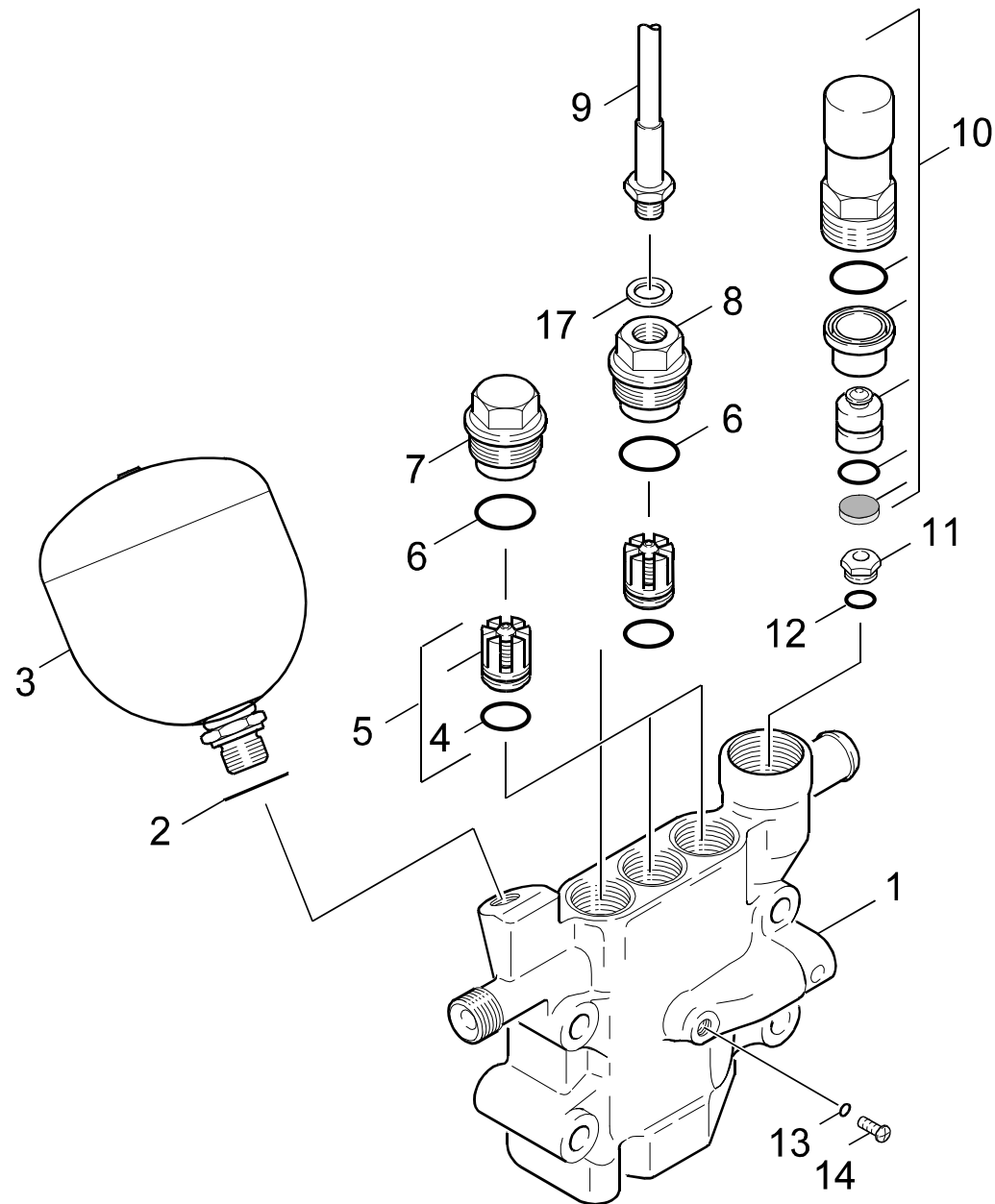
GRUPPE: 2.2 SAUGSEITE  
GROUP: 2.2 SUCTION SIDE  
GROUPE: 2.2 COTE ASPIRANT

E2

HDS 690

POS. ITM. POS.	BENNENUNG DESCRIPTION DESIGNATION	TEILE-NR. PART-NO. NO.PIECE	STCK QTY. NBR.
2	SCHLAUCHSTUECK / HOSE / BOUT DE TUYAU	5.442-503.0	1
3	O-RING 10 X 1,5 / GASKET / BAQUE D'ETANCHEITE	6.362-482.0	1
4	HUELSE / SLEEVE / DOUILLE	5.110-368.0	1
5	O-RING 11,0 X 1,3 / GASKET / BAQUE D'ETANCHEITE	6.362-402.0	1
6	SPINDEL / SPINDLE / PIVOT	4.291-009.0	1
7	GRIFF / HANDLE / POIGNEE	5.321-263.0	1
8	O-RING 12,42 KOMPL / GASKET / BAQUE D'ETANCHEITE	6.362-575.0	1
9	ZYL.SCHR. M10X100 / CHEESE HEAD SCREW / VIS A TETE CYLINDR.	7.306-066.0	4
10	O-RING 12,42X 1,78 / GASKET / BAQUE D'ETANCHEITE	6.362-480.0	1
11	VENTILGEHAEUSE / VALVE HOUSING / CORPS DE SOUPE	5.587-107.0	1
12	SCHRAUBE M 6X 30 / SCREW / VIS	7.306-105.0	4
13	ZYL.SCHR. M 8X 30 / CHEESE HEAD SCREW / VIS A TETE CYLINDR.	7.306-043.0	2
14	O-RING 15,0 X 2,0 / GASKET / BAQUE D'ETANCHEITE	6.362-427.0	1
15	VENTIL / VALVE / SOUPE	4.580-114.0	1
16	SCHLAUCHSCHELLE / HOSE BAND CLIP / COLLIER DE SERRAGE	6.388-515.0	1
17	SCHLAUCH DN 7 / HOSE / TUYAU FLEXIBLE	6.388-194.0	1
	<b>ALS METERWARE BESTELLEN/TO ORDER AS CUT GOODS/COMMANDE COMME MARCHANDISE AU METRE</b>		
18	O-RING 15,3 X 2,4 / GASKET / BAQUE D'ETANCHEITE	6.362-153.0	2
19	HUELSE / SLEEVE / DOUILLE	5.110-210.0	2
20	O-RING 14,0 X 2,0 / GASKET / BAQUE D'ETANCHEITE	6.362-481.0	6
21	VENTIL KPL. / VALVE / SOUPE	4.580-117.0	3
100	PUMPENSET / PUMP SET / GROUPE DE POMPES	2.880-283.0	1

"=> xxxxxx" = bis Werknummer / up to serial No. / jusqu' au No. de fabr. / "xxxxxx =>" = ab Werknummer / from serial No. / a partir du No. de fabr. /



Symbolbeschreibung siehe M16 / symbol description see M16 / désignation de système voir M16 /

GRUPPE: 2.3 DRUCKSEITE  
GROUP: 2.3 PHYSICAL PAGE  
GROUPE: 2.3 COTE REFOULEMENT

G2

HDS 690

POS. ITM. POS.	BENNENUNG DESCRIPTION DESIGNATION	TEILE-NR. PART-NO. NO.PIECE	STCK QTY. NBR.
1	ZYLINDERKOPF KPL. / CYLINDER HEAD / CULASSE	4.550-146.0	1
2	O-RING 6,07X 1,78 / GASKET / BAQUE D'ETANCHEITE	6.362-176.0	1
3	DRUCKSPEICHER / PULSATION DAMPER / ANTI-BELIER	6.505-035.0	1
4	O-RING 14,0 X 2,0 / GASKET / BAQUE D'ETANCHEITE	6.362-481.0	3
5	VENTIL KPL. / VALVE / SOUPAPE	4.580-117.0	3
6	O-RING 17,0 X 2,5 / GASKET / BAQUE D'ETANCHEITE	6.362-483.0	3
7	VENTILSCHRAUBE / VALVE SCREW / VIS POINTEAU (SOUP.)	5.583-060.0	2
8	VENTILSCHRAUBE / VALVE SCREW / VIS POINTEAU (SOUP.)	5.583-062.0	1
9	HD-SCHLAUCH / HIGH PRESSURE HOSE / TUYAU FLEXIBLE HAUTE PRE.	6.389-355.0	1
10	SICHERHEITSVENTIL / SAFETY VALVE / SOUPAPE (TROP-PLEIN)	6.412-604.0	1
11	VENTILSITZ / VALVE SEAT / SIEGE DE SOUPAPE	5.581-134.0	1
12	O-RING 10 X 1,5 / GASKET / BAQUE D'ETANCHEITE	6.362-482.0	1
13	O-RING 4,0 X 1,0 / GASKET / BAQUE D'ETANCHEITE	6.362-452.0	1
14	LINSENSCHR. M 4X 6 / OVAL HEAD SCREW / VIS A TETE BOMBEE	7.306-323.0	1
17	DICHTRING 10 X13,5 / JOINT RING / BAGUE D'ETANCHEITE	7.362-003.0	1
100	PUMPENSET / PUMP SET / GROUPE DE POMPES	2.880-283.0	1

"=> xxxxxx" = bis Werknummer / up to serial No. / jusqu' au No. de fabr. / "xxxxxx =>" = ab Werknummer / from serial No. / a partir du No. de fabr. /

GRUPPE: 3.0 MOTOR  
GROUP: 3.0 MOTOR  
GRUPPE: 3.0 MOTEUR

**A3**

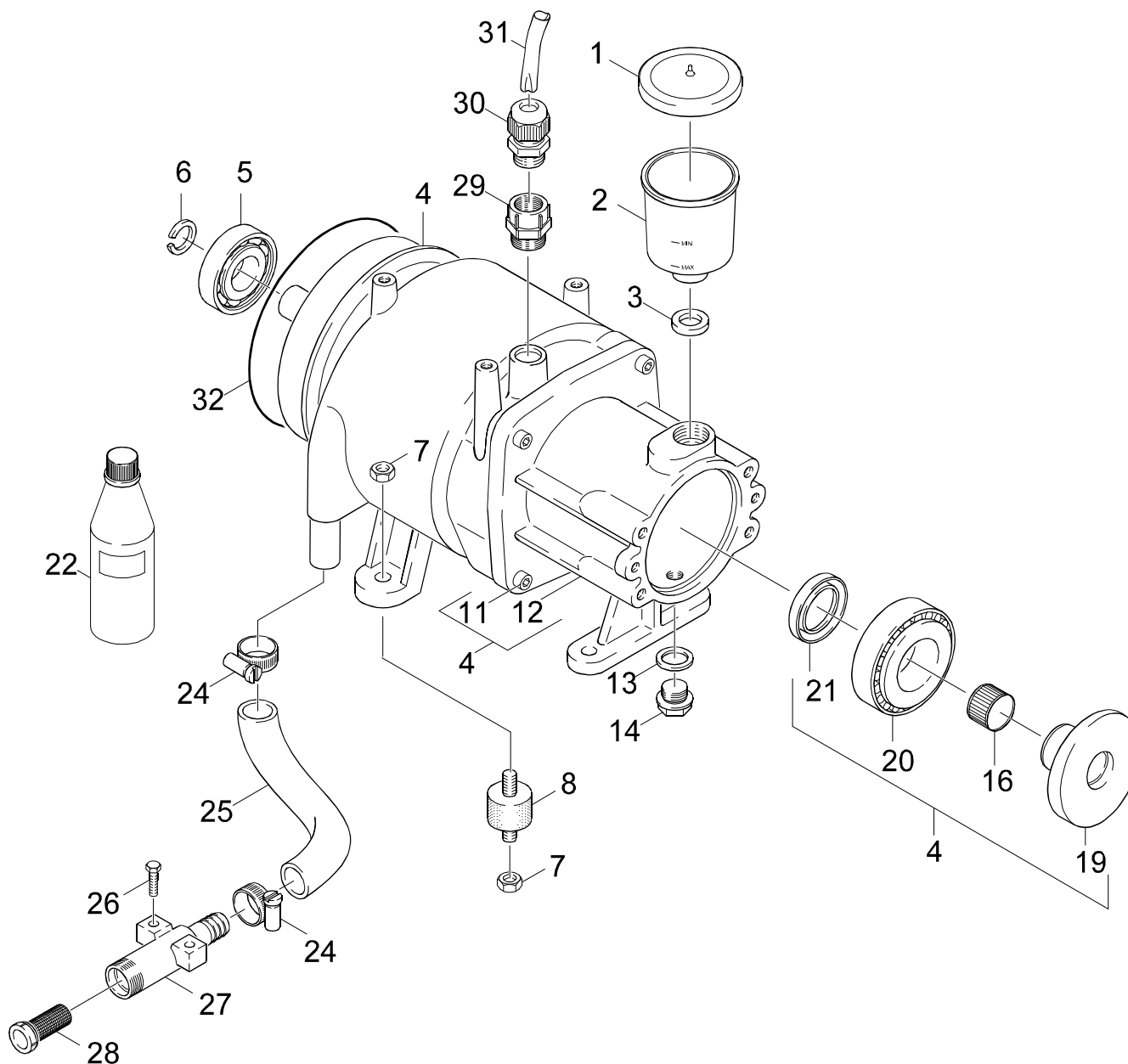
**HDS 690**

**GRUPPE: 3.0 MOTOR**  
**GROUP: 3.0 MOTOR**  
**GRUPPE: 3.0 MOTEUR**

GRUPPE: 3.0 MOTOR  
GROUP: 3.0 MOTOR  
GRUPPE: 3.0 MOTEUR

B3

HDS 690



Symbolbeschreibung siehe M16 / symbol description see M16 / désignation de système voir M16 /

GRUPPE: 3.0 MOTOR  
GROUP: 3.0 MOTOR  
GROUPE: 3.0 MOTEUR

C3

HDS 690

POS. ITM. POS.	BENNENUNG DESCRIPTION DESIGNATION	TEILE-NR. PART-NO. NO.PIECE	STCK QTY. NBR.
1	DECKEL / COVER / COUVERCLE	5.063-189.0	1
2	BEHAELTER / TANK / BAC	5.070-048.0	1
3	DICHTRING / JOINT RING / BAGUE D'ETANCHEITE	5.363-100.0	1
4	E-MOTOR 3,5 KW / ELECTRIC MOTOR / MOTEUR ELECTRIQUE	6.611-497.0	1
5	KUGELLAGER 6305-2Z / BALL BEARING / ROULEMENT A BILLE	6.401-253.0	1
6	S-RING 25X1,2 / SPRING CLIP / CIRCLIP	7.343-008.0	1
7	6KT-MUTTER M 8 / HEXAGON NUT / ECROU HEXAGONAL	7.311-510.0	8
8	GUMMIPUFFER M8 / RUBBER BUFFER / BUTOIR CAOUTCHOUC	6.339-060.0	4
11	SCHRAUBE M 6X 30 / SCREW / VIS	7.306-105.0	3
12	GEHAEUSE / HOUSING / BOITIER	5.060-181.0	1
13	DICHTRING 18 X22 / JOINT RING / BAGUE D'ETANCHEITE	7.362-009.0	1
14	VS-SCHRAUBE M18X1,5 / CLOSING SCREW / VIS DE FERMETURE	7.382-235.0	1
16	TOLERANZRING / TOLERANCE RING / BAGUE	6.343-024.0	1
19	TAUMELSCHIEBE / SWASH PLATE / DISQUE EN NUTATION	5.120-220.0	1
20	KEGELROLLENLAGER 41 / TAPER ROLLER BEARING / PALIER A ROULEAUX	6.401-225.0	1
21	RWDR A35 X 52 X 7 / ROTARY SHAFT SEAL / JOINT (ARBRE)	7.367-009.0	1
22	GETRIEBEOEL 1L / GEAR LUBRICANT OIL / HUILE A ENGRENAGES	6.288-016.0	1
24	SCHLAUCHSCHELLE / HOSE BAND CLIP / COLLIER DE SERRAGE	6.388-547.0	2
25	SCHLAUCH DN16 / HOSE / TUYAU FLEXIBLE	6.388-719.0	1
	<b>ALS METERWARE BESTELLEN/TO ORDER AS CUT GOODS/COMMANDE COMME MARCHANDISE AU METRE</b>		
26	SCHRAUBE M 6X 16 / SCREW / VIS	7.306-090.0	1
27	KNOTENSTUECK / MANIFOLD / FERRURE NODALE	5.427-075.0	1
28	SIEB / STRAINER / CREPINE	6.414-141.0	1
29	RED.RING PG 16/13,5 / REDUCING RING / ANNEAU DE REDUCTION	6.641-313.0	1
30	KABELVERSCHR. / CABLE CONNECTOR / RACCORD DE CABLES	6.641-613.0	1
31	SCHLAUCHSTUECK / HOSE / BOUT DE TUYAU	5.442-725.0	1
32	O-RING 143,0 X 2,0 / GASKET / BAQUE D'ETANCHEITE	6.362-456.0	1

"=> xxxxxx" = bis Werknummer / up to serial No. / jusqu' au No. de fabr. / "xxxxxx =>" = ab Werknummer / from serial No. / a partir du No. de fabr. /

GRUPPE: 4.0 GEBLAESE  
GROUP: 4.0 BLOWER  
GRUPPE: 4.0 VENTILATEUR

**A4**

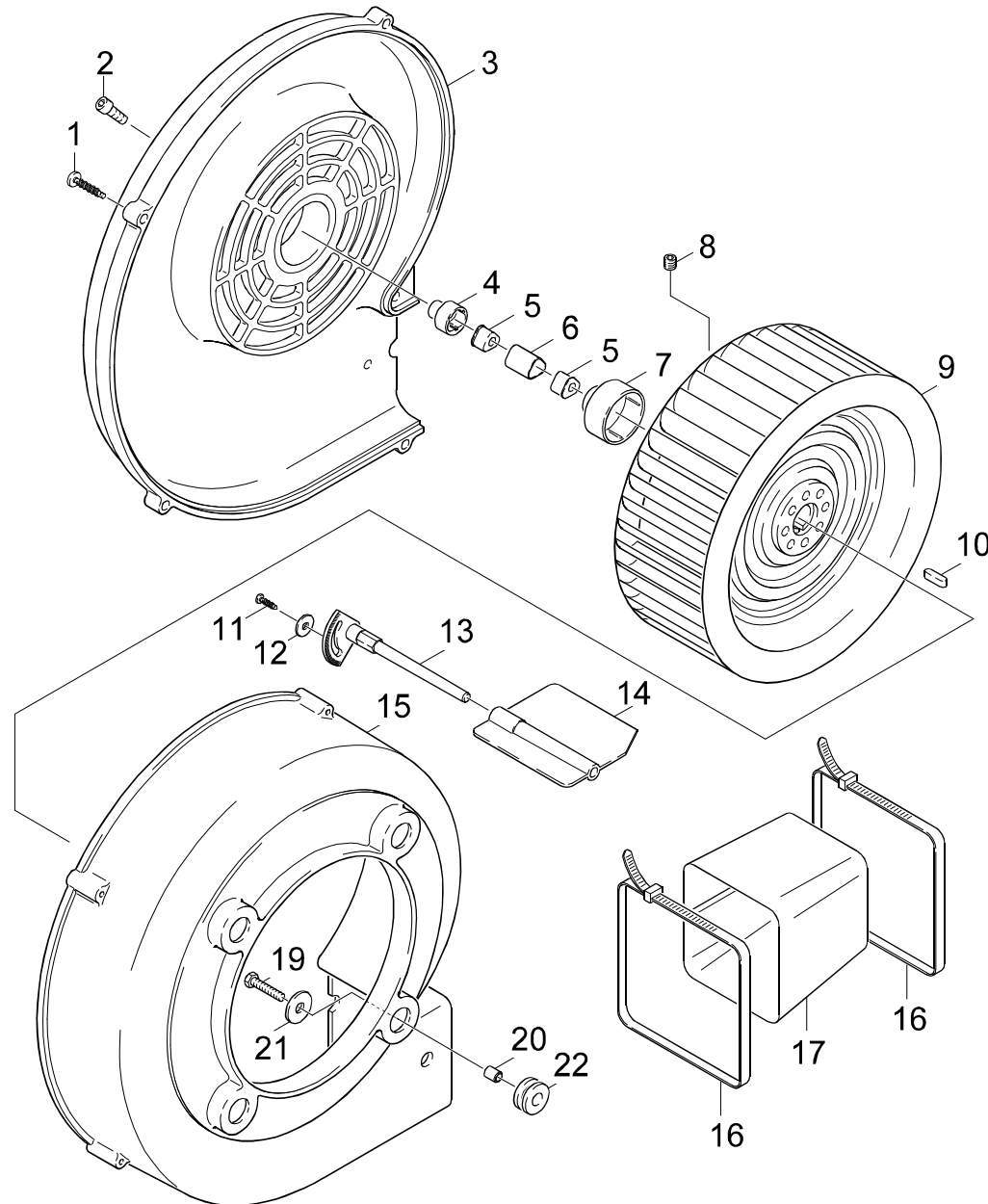
**HDS 690**

**GRUPPE: 4.0 GEBLAESE**  
**GROUP: 4.0 BLOWER**  
**GRUPPE: 4.0 VENTILATEUR**

GRUPPE: 4.0 GEBLAESE  
GROUP: 4.0 BLOWER  
GRUPPE: 4.0 VENTILATEUR

**B4**

**HDS 690**



Symbolbeschreibung siehe M16 / symbol description see M16 / désignation de système voir M16 /



GRUPPE: 4.0 GEBLAESE  
GROUP: 4.0 BLOWER  
GROUPE: 4.0 VENTILATEUR

C4

HDS 690

POS. ITM. POS.	BENNENUNG DESCRIPTION DESIGNATION	TEILE-NR. PART-NO. NO.PIECE	STCK QTY. NBR.
1	BL.SCHR. ST4,8X25,0 / SHEET METAL SCREW / VIS A TOLE	7.303-364.0	7
2	SCHRAUBE M 6X 16 / SCREW / VIS	7.306-090.0	1
3	DECKEL / COVER / COUVERCLE	5.063-206.0	1
4	KUPPLUNGSTEIL / COUPLING ELEMENT / PIECE D'ACCOUPL.	6.463-008.0	1
5	KUPPLUNGSTEIL / COUPLING ELEMENT / PIECE D'ACCOUPL.	6.463-020.0	2
6	KUPPLUNGSTEIL / COUPLING ELEMENT / PIECE D'ACCOUPL.	5.471-050.0	1
7	KUPPLUNGSTEIL / COUPLING ELEMENT / PIECE D'ACCOUPL.	5.471-049.0	1
8	GEW.STIFT M 8X 6 / THREADED PIN / VIS SANS TETE	7.307-407.0	1
9	GEBLAESERAD ALU / BLOWER WHEEL / ROUE DE VENTILATEUR	6.484-048.0	1
10	PASSFEDER 5X 5X 16 / SPRING / RESSORT D'ADJUSTAGE	7.318-002.0	1
11	BL.SCHR. ST4,8X16 / SHEET METAL SCREW / VIS A TOLE	7.303-077.0	1
12	SCHEIBE 5 / WASHER / RONDELLE	7.312-278.0	1
13	KLAPPENWELLE / FLAP SHAFT / ESSIEU	5.603-012.0	1
14	LUFTKLAPPE / AIR FLAP / VOLET D'ADMIS.D'AIR	5.606-001.0	1
15	GEHAEUSE / HOUSING / BOITIER	5.605-073.0	1
16	SPANNBAND / BANNER / BANDEROLE	6.388-608.0	2
17	TUCHMANSCHETTE / CLOTH COLLAR / MANCHETTE	5.178-016.0	1
19	6KT-SCHR. M 6X 25 / HEXAGONAL HEAD SCREW / VIS HEXAGONAL	7.304-386.0	4
20	HUELSE / SLEEVE / DOUILLE	5.110-222.0	2
21	SCHEIBE / WASHER / RONDELLE	5.115-233.0	4
22	GUMMIRING / RUBBER RING / RONDELLE CAOUTCHOUC	5.379-008.0	4

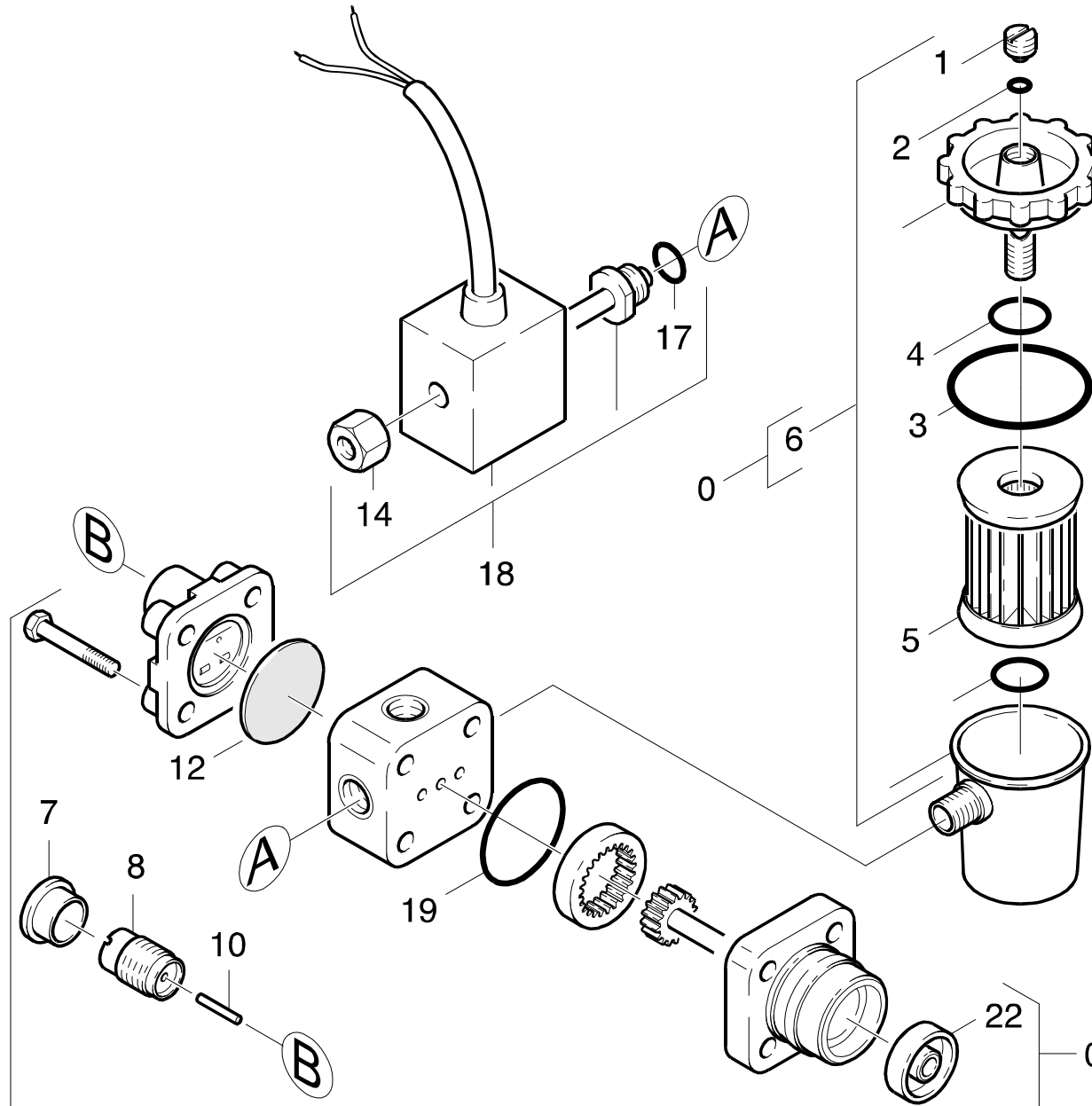
"=> xxxxxx" = bis Werknummer / up to serial No. / jusqu' au No. de fabr. / "xxxxxx =>" = ab Werknummer / from serial No. / a partir du No. de fabr. /

GRUPPE: 5.0 BRENNSTOFFPUMPE  
GROUP: 5.0 FUEL PUMP  
GRUPPE: 5.0 POMPE DE COMBUSTIBLE

**A5**

**HDS 690**

**GRUPPE: 5.0 BRENNSTOFFPUMPE**  
**GROUP: 5.0 FUEL PUMP**  
**GRUPPE: 5.0 POMPE DE COMBUSTIBLE**



Symbolbeschreibung siehe M16 / symbol description see M16 / désignation de système voir M16 /

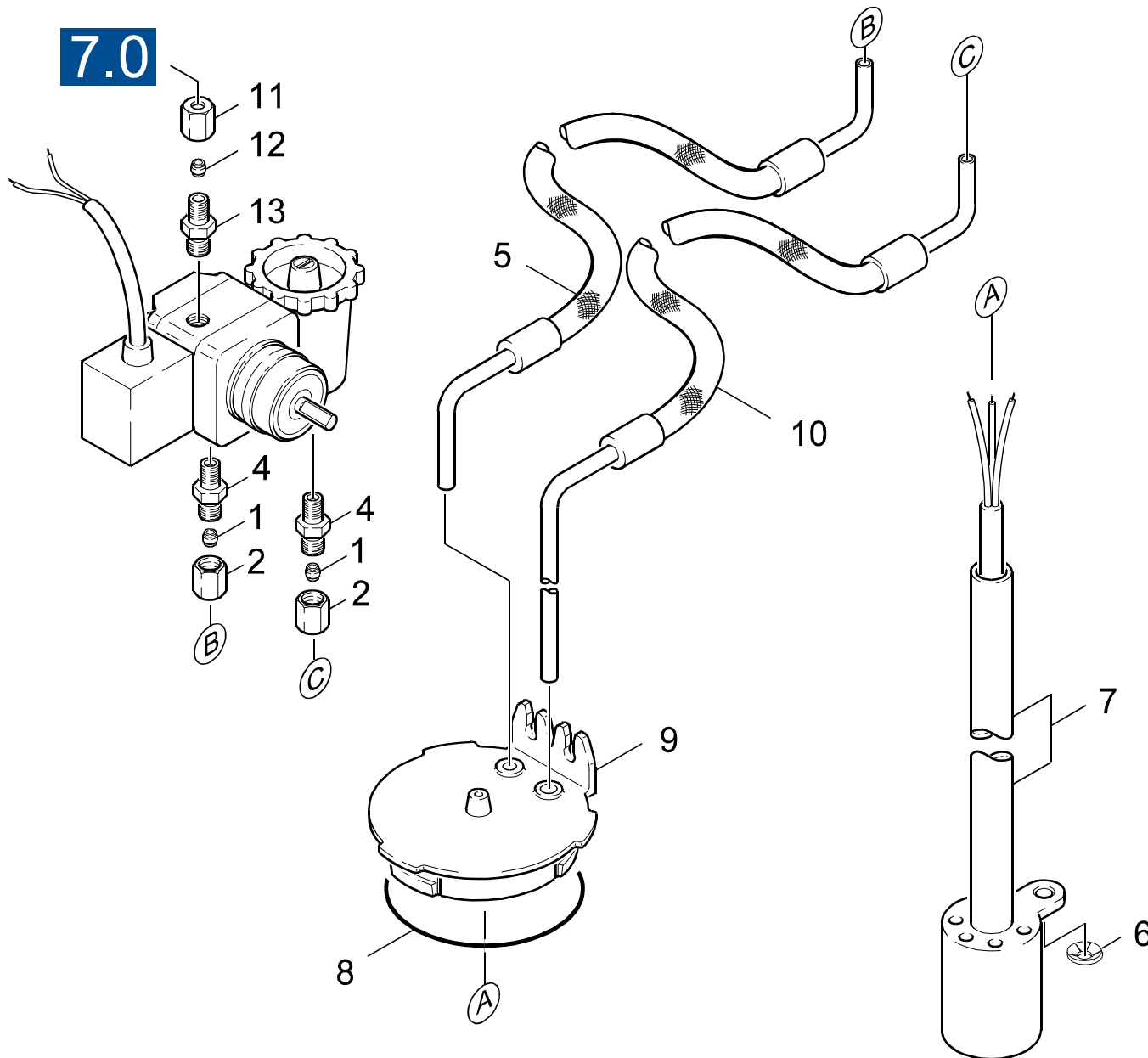
GRUPPE: 5.1 BRENNSTOFFPUMPE  
GROUP: 5.1 FUEL PUMP  
GROUPE: 5.1 POMPE DE COMBUSTIBLE

C5

HDS 690

POS. ITM. POS.	BENNENUNG DESCRIPTION DESIGNATION	TEILE-NR. PART-NO. NO.PIECE	STCK QTY. NBR.
0	BRENNSTOFFPUMPE / FUEL PUMP / POMPE DE COMBUSTIBLE	6.472-925.0	1
1	ENTLUEFTUNGSSCHR. / VENT SCREW / VIS D'AIR	6.472-107.0	1
2	O-RING 5,0 X 1,8 / GASKET / BAQUE D'ETANCHEITE	6.472-106.0	1
3	O-RING 32,0 X 1,6 / GASKET / BAQUE D'ETANCHEITE	6.472-111.0	1
4	O-RING 10,0 X 2,4 / GASKET / BAQUE D'ETANCHEITE	6.472-112.0	1
5	FILTEREINSATZ / FILTER CARTRIDGE / CARTOUCHE FILTRANTE	6.472-113.0	1
6	FILTERGEHAEUSE KPL. / FILTER CASE / BATI DE FILTRE	6.472-123.0	1
7	SCHUTZKAPPE / PROTECTIVE CAP / CAPOT PROTECTION	6.472-122.0	1
8	FEDERGEHAEUSE / SPRING HOUSING / BARILLET	6.472-109.0	1
10	STIFT / PIN / CHEVILLE	6.472-108.0	1
12	MEMBRANE / DIAPHRAGM / MEMBRANE	6.472-128.0	1
14	RAENDELMUTTER / KNURLED NUT / ECROU MOLETE	6.472-340.0	1
17	O-RING 12,0 X 1,5 / GASKET / BAQUE D'ETANCHEITE	6.472-125.0	1
18	MAGNETVENTIL / SOLENOID VALVE / ELECTROVANNE	6.472-411.0	1
19	O-RING 28,5 X 1,6 / GASKET / BAQUE D'ETANCHEITE	6.472-120.0	1
22	ACHSENDICHTUNG / SHAFT SEAL / ETOUPAGE D'ESSIEU	6.472-105.0	1

"=> xxxxxx" = bis Werknummer / up to serial No. / jusqu' au No. de fabr. / "xxxxxx =>" = ab Werknummer / from serial No. / a partir du No. de fabr. /



Symbolbeschreibung siehe M16 / symbol description see M16 / désignation de système voir M16 /

GRUPPE: 5.2 NIVEAUFUEHLER  
GROUP: 5.2 LEVEL PROBE  
GROUPE: 5.2 DETECTEUR DE NIVEAU

E5

HDS 690

POS.	BENNENUNG	TEILE-NR.	STCK
ITM.	DESCRIPTION	PART-NO.	QTY.
POS.	DESIGNATION	NO.PIECE	NBR.
1	SCHNEIDRING D 6-L/S / CUTTING RING / BAGUE COUPANTE	6.386-160.0	2
2	UE-MUTTER A 6-L / UNION NUT / ECROU RACOURD	6.386-346.0	2
4	STUTZEN 6-L1/8NPT / CONNECTION PIECE / TUBULURE	6.386-181.0	2
5	SCHLAUCHLEITUNG / HOSE ASSEMBLY / CONDUITE	6.388-333.0	1
6	SICHERUNGSSCHEIBE / LOCK WASHER / RONDELLE D'ARRET	6.343-119.0	1
7	NIVEAUFUEHLER / LEVEL PROBE / DETECTEUR DE NIVEAU	6.631-439.0	1
8	O-RING 68,0 X 4,0 / GASKET / BAQUE D'ETANCHEITE	6.362-474.0	1
9	FORMTEIL / MOULDED PART / PREFORME	5.030-434.0	1
10	SCHLAUCHLEITUNG / HOSE ASSEMBLY / CONDUITE	6.388-334.0	1
11	UE-MUTTER A 4-LL / UNION NUT / ECROU RACOURD	6.389-262.0	1
12	SCHNEIDRING D.4 / CUTTING RING / BAGUE COUPANTE	6.389-263.0	1
13	SCHRAUBSTUTZEN / SCREW UNION / RACCORD FILETE	6.389-261.0	1

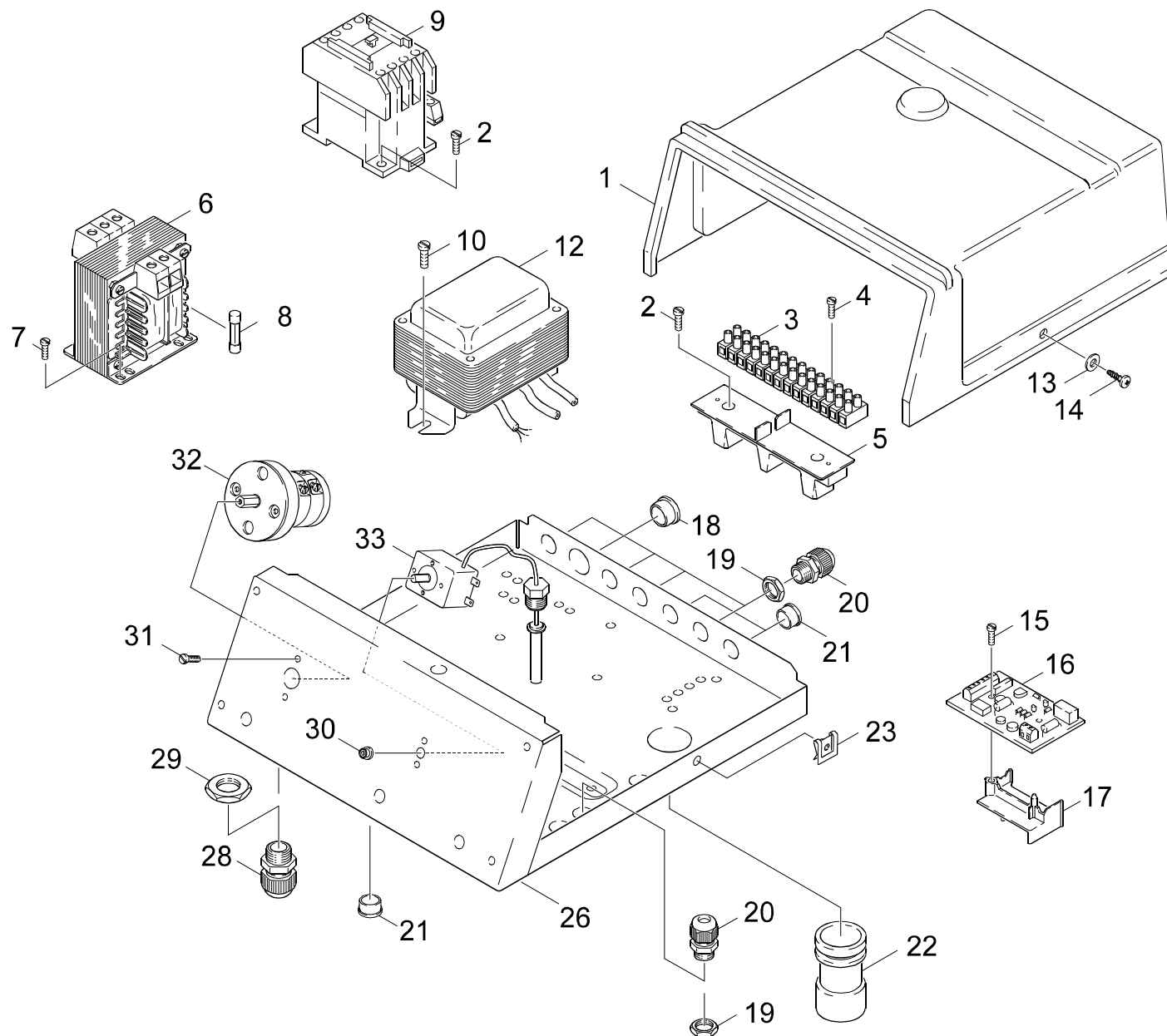
"=> xxxxxx" = bis Werknummer / up to serial No. / jusqu' au No. de fabr. / "xxxxxx =>" = ab Werknummer / from serial No. / a partir du No. de fabr. /

GRUPPE: 6.0 E-GERAETESCHRANK  
GROUP: 6.0 ELECTRIC CONTROL BOX  
GRUPPE: 6.0 COFFRET ELECTRIQUE

**A6**

**HDS 690**

**GRUPPE: 6.0 E-GERAETESCHRANK**  
**GROUP: 6.0 ELECTRIC CONTROL BOX**  
**GRUPPE: 6.0 COFFRET ELECTRIQUE**



Symbolbeschreibung siehe M16 / symbol description see M16 / désignation de système voir M16 /



GRUPPE: 6.0 E-GERAETESCHRANK  
GROUP: 6.0 ELECTRIC CONTROL BOX  
GROUPE: 6.0 COFFRET ELECTRIQUE

C6

HDS 690

POS. ITM. POS.	BENNENUNG DESCRIPTION DESIGNATION	TEILE-NR. PART-NO. NO.PIECE	STCK QTY. NBR.
1	HAUBE E-SCHRANK / COVER / CAPOT	5.066-677.0	1
2	SCHRAUBE M 4X 16 / SCREW / VIS	7.303-033.0	4
3	KLEMMLEISTE / STRIP TERMINAL / BORNE PLATE	6.643-249.0	1
4	BL.SCHR. ST3,5X19 / SHEET METAL SCREW / VIS A TOLE	7.303-064.0	2
5	AUFLAGER / SUPPORT / SUPPORT	5.057-036.0	1
6	STEUERTRAFO 40VA / TRANSFORMER / TRANSFORMATEUR	6.622-021.0	1
7	SCHNEIDSCHR. M4X 8 / SELF-TAPPING SCREW / VIS AUTOTARAUEUSE	6.303-017.0	4
8	G-SCHMELZEINSATZ / CARTRIDGE / BOUCHON FUSIBLE	6.644-052.0	1
9	SCHUETZ / CONTACTOR / CONTACTEUR	6.632-356.0	1
10	SCHRAUBE M 5X 8 / SCREW / VIS	7.303-036.0	2
11	SCHEIBE 6 / WASHER / RONDELLE	7.312-276.0	2
12	ZUENDTRAFO ET-SATZ / TRANSFORMER / TRANSFORMATEUR	2.883-468.0	1
13	SCHEIBE 5 / WASHER / RONDELLE	7.312-278.0	2
14	BL.SCHR. ST4,8X16,0 / SHEET METAL SCREW / VIS A TOLE	7.303-383.0	2
15	SCHNEIDSCHR. M4X 30 / SELF-TAPPING SCREW / VIS AUTOTARAUEUSE	7.303-506.0	3
16	IMPULSGEBER / PULSE GENERATOR / CONTACTEUR	6.633-372.0	1
17	AUFLAGER / SUPPORT / SUPPORT	5.057-043.0	1
18	SCHUTZKAPPE 21,7 / PROTECTIVE CAP / CAPOT PROTECTION	6.368-023.0	1
19	GEGENMUTTER PG 9 / COUNTERNUT / CONTRE-ECROU	6.641-366.0	7
20	KABELVERSCHR. PG 9 / CABLE CONNECTOR / RACCORD DE CABLES	6.641-355.0	7
21	VERSCHLUSSTOPFEN / DRAIN PLUG / BOUCHON	6.368-064.0	3
22	SCHUTZTEIL / PROTECTION PART / PARTIE PROTECTEUR	5.394-280.0	1
23	BLECHMUTTER / NUT / ECROU	6.310-034.0	2
26	BLECHTEIL / PLATE / TOLE	5.045-401.0	1
28	KABELVERSCHR. / CABLE CONNECTOR / RACCORD DE CABLES	6.641-613.0	1
29	GEGENMUTTER PG13,5 / COUNTERNUT / CONTRE-ECROU	6.641-369.0	1
30	PROFILDICHTUNG / SEAL / ETOUPE PROFILE	5.365-152.0	1
31	SCHRAUBE M 4X 8 / SCREW / VIS	7.306-056.0	4
32	SCHALTER / SWITCH / INTERRUPTEUR	6.631-081.0	1
33	TEMPERATURREGLER / THERMOSTAT / THERMOSTAT	6.685-868.0	1

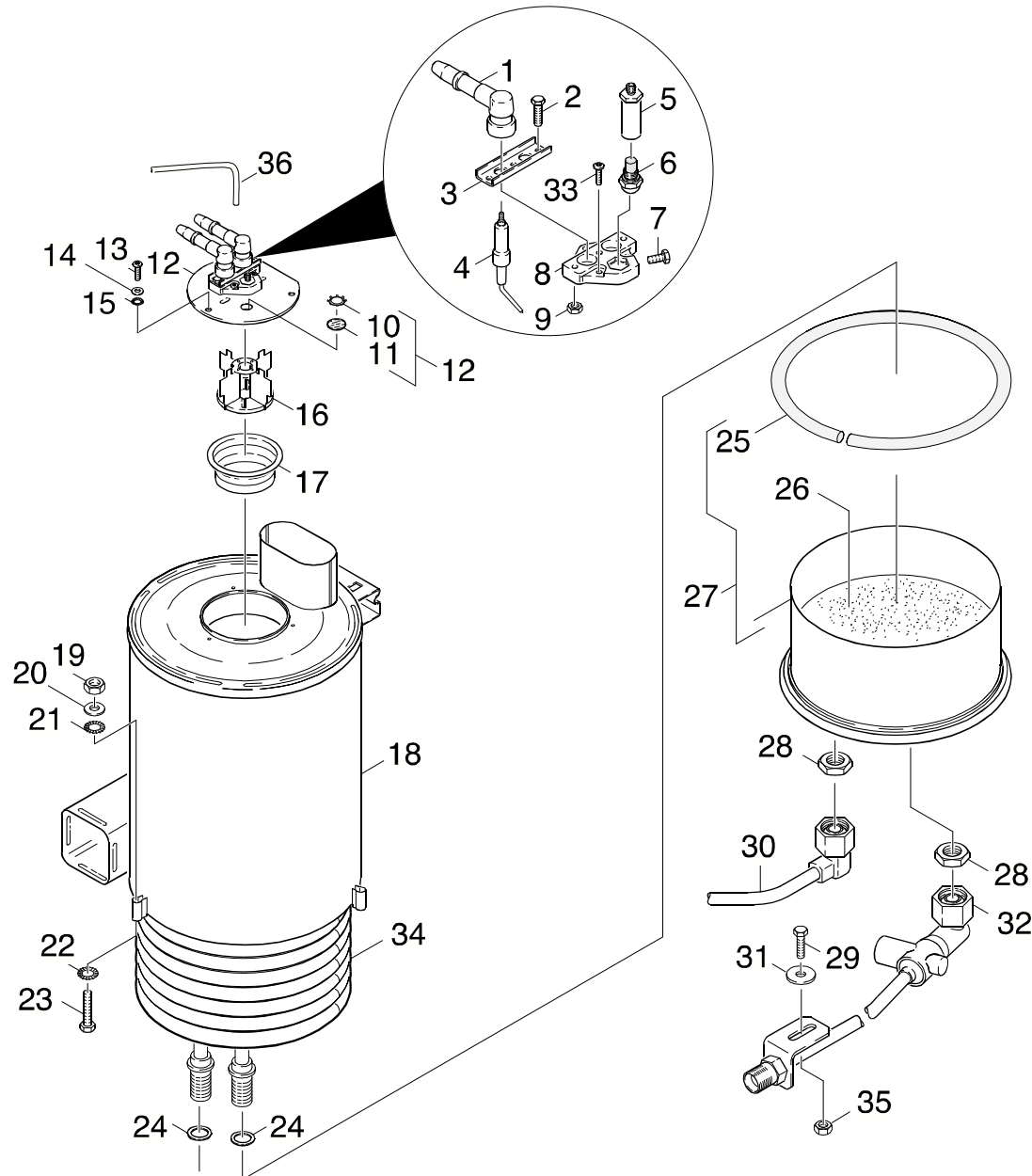
"=> xxxxxx" = bis Werknummer / up to serial No. / jusqu' au No. de fabr. / "xxxxxx =>" = ab Werknummer / from serial No. / a partir du No. de fabr. /

GRUPPE: 7.0 DURCHLAUFERHITZER  
GROUP: 7.0 FLOW HEATER  
GRUPPE: 7.0 CHAUFFE-EAU RAPIDE

**A7**

**HDS 690**

**GRUPPE: 7.0 DURCHLAUFERHITZER**  
**GROUP: 7.0 FLOW HEATER**  
**GRUPPE: 7.0 CHAUFFE-EAU RAPIDE**



Symbolbeschreibung siehe M16 / symbol description see M16 / désignation de système voir M16 /

GRUPPE: 7.0 DURCHLAUFERHITZER  
 GROUP: 7.0 FLOW HEATER  
 GROUPE: 7.0 CHAUFFE-EAU RAPIDE

C7

HDS 690

POS. ITM. POS.	BENNENNUNG DESCRIPTION DESIGNATION	TEILE-NR. PART-NO. NO.PIECE	STCK QTY. NBR.	POS. ITM. POS.	BENNENNUNG DESCRIPTION DESIGNATION	TEILE-NR. PART-NO. NO.PIECE	STCK QTY. NBR.
1	KERZENSTECKER / SPARK PLUG SOCKET / COSSE DE BOUGIE	6.618-057.0	2	36	LEITUNGSRÖHR / PIPE / TUBE CONDUCTEUR	5.423-142.0	1
2	6KT-SCHR. M 5X 14 / HEXAGONAL HEAD SCREW / VIS HEXAGONAL	7.309-019.0	3				
3	LASCHE / RETAINER CLIP / ECLISSE	5.004-228.0	1				
4	ERSATZTEILSET / SPARE PARTS KIT / KIT DE PIECES	2.883-083.0	1				
5	DUESENHALTER / NOZZLE HOLDER / PORTE - BUSE	5.667-042.0	1				
6	DUESE 1,35GPH 60GR / NOZZLE / BUSE	6.415-595.0	1				
7	ZYL.SCHR. M 5X 12 / CHEESE HEAD SCREW / VIS A TETE CYLINDR.	7.306-443.0	1				
8	KERZENHALTER / SPARK HOLDER / SUPPORT BOUGIE	5.668-001.0	1				
9	6KT-MUTTER M 5 / HEXAGON NUT / ECROU HEXAGONAL	7.311-037.0	3				
10	ZACKENRING / RING / ANNEAU	6.343-165.0	1				
11	GLASSCHEIBE / GLASS PANE / VITRE	6.278-018.0	1				
12	DECKEL D.K. / COVER / COUVERCLE	4.654-133.0	1				
13	BL.SCHR. ST4,8X19 / SHEET METAL SCREW / VIS A TOLE	7.303-078.0	3				
14	SCHEIBE 5 / WASHER / RONDELLE	7.312-002.0	3				
15	ZAHNSCHEIBE A 5,3 / LOCK WASHER / ROUE PLATE	7.312-172.0	6				
16	BRENNEREINSATZ / BURNER CAGE / BRULEUR CAGE	4.663-077.0	1				
17	BRENNERTEIL / BURNER PART / PIECE DE BRULEUR	5.664-182.0	1				
18	AUSSENMANTEL / OUTER JACKET / ENVELOPPE	4.652-074.0	1				
19	6KT-MUTTER M10 / HEXAGON NUT / ECROU HEXAGONAL	7.311-511.0	3				
20	SCHEIBE 10 / WASHER / RONDELLE	7.312-005.0	3				
21	ZAHNSCHEIBE A 8,4 / LOCK WASHER / ROUE PLATE	7.312-166.0	3				
22	ZAHNSCHEIBE A 10,5 / LOCK WASHER / ROUE PLATE	7.312-160.0	3				
23	6KT-SCHR. M10X 65 / HEXAGONAL HEAD SCREW / VIS HEXAGONAL	7.304-422.0	3				
24	PROFILDICHTUNG / SEAL / ETOUPE PROFILE	5.365-068.0	2				
25	DICHTSCHNUR / SEAL STRING / CORDE DE BOURRAGE	6.366-009.0	1				
26	STAMPFMASSE 8KG / REFRACTORY MATERIAL / PISE REFRACT. DAME	2.889-061.0	1				
27	BODEN D.K. / BOTTOM / FOND	4.655-044.0	1				
28	6KT-MUTTER M22X1,5 / HEXAGON NUT / ECROU HEXAGONAL	7.311-155.0	2				
29	SCHRAUBE M 6X 16 / SCREW / VIS	7.306-090.0	1				
30	ROHRLEITUNG / PIPELINES / CONDUITE	4.420-912.0	1				
31	UNTERLAGE / SPACER / COUSSINET	5.378-058.0	1				
32	ROHRLEITUNG / PIPELINES / CONDUITE	4.420-910.0	1				
33	SCHRAUBE M 5X 16 / SCREW / VIS	7.303-039.0	3				
34	HEIZSCHLANGE / HEATING COIL / SERPENTIN	4.680-126.0	1				
35	6KT-MUTTER M 6 / HEXAGON NUT / ECROU HEXAGONAL	7.311-003.0	1				

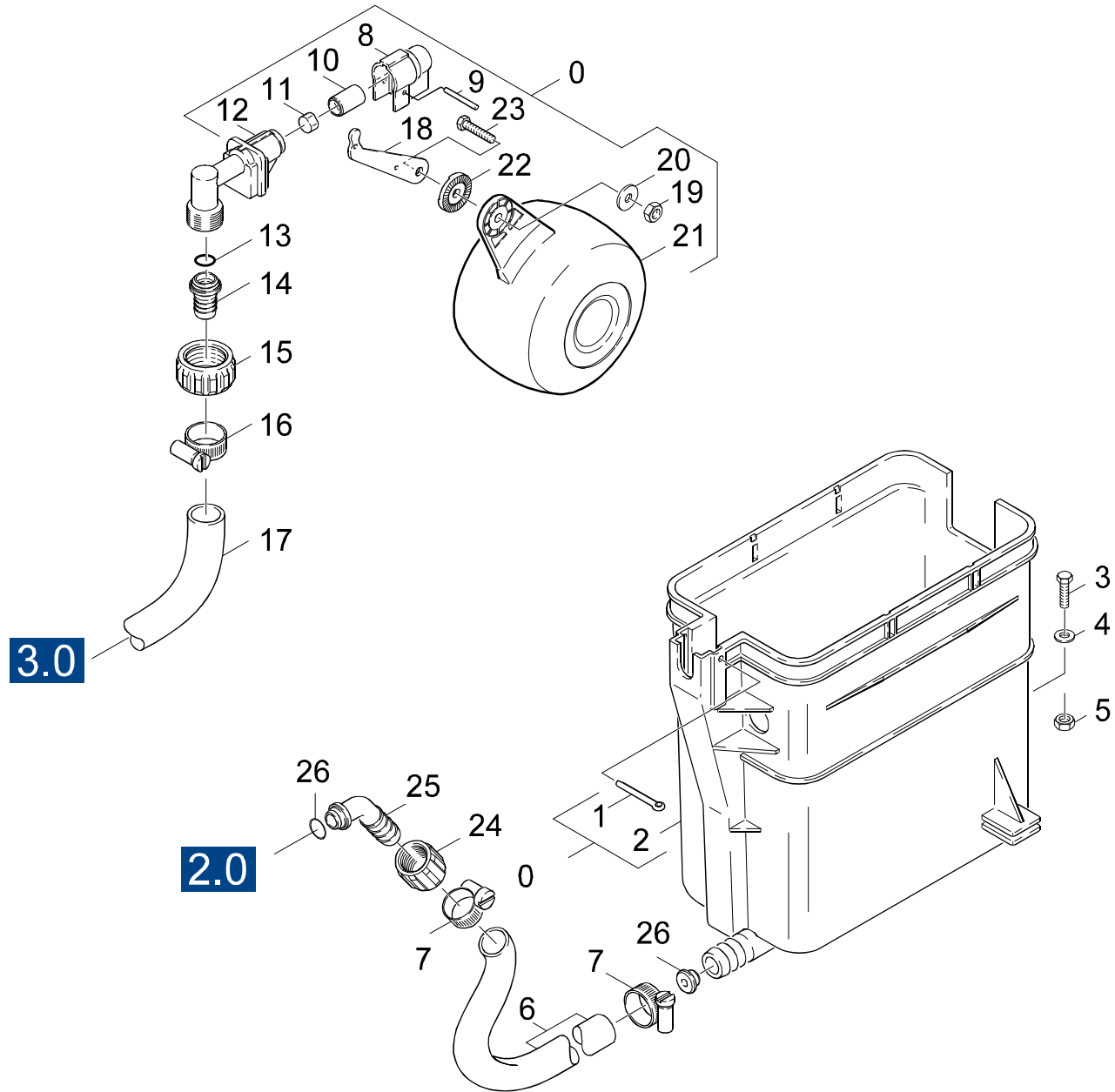
"=> xxxxxx" = bis Werknummer / up to serial No. / jusqu' au No. de fabr. / "xxxxxx =>" = ab Werknummer / from serial No. / a partir du No. de fabr. /

GRUPPE: 8.0 SCHWIMMERVERTIL  
GROUP: 8.0 FLOAT VALVE  
GRUPPE: 8.0 SOUPAPE A FLOTTEUR

**A8**

**HDS 690**

**GRUPPE: 8.0 SCHWIMMERVERTIL**  
**GROUP: 8.0 FLOAT VALVE**  
**GRUPPE: 8.0 SOUPAPE A FLOTTEUR**



Symbolbeschreibung siehe M16 / symbol description see M16 / désignation de système voir M16 /

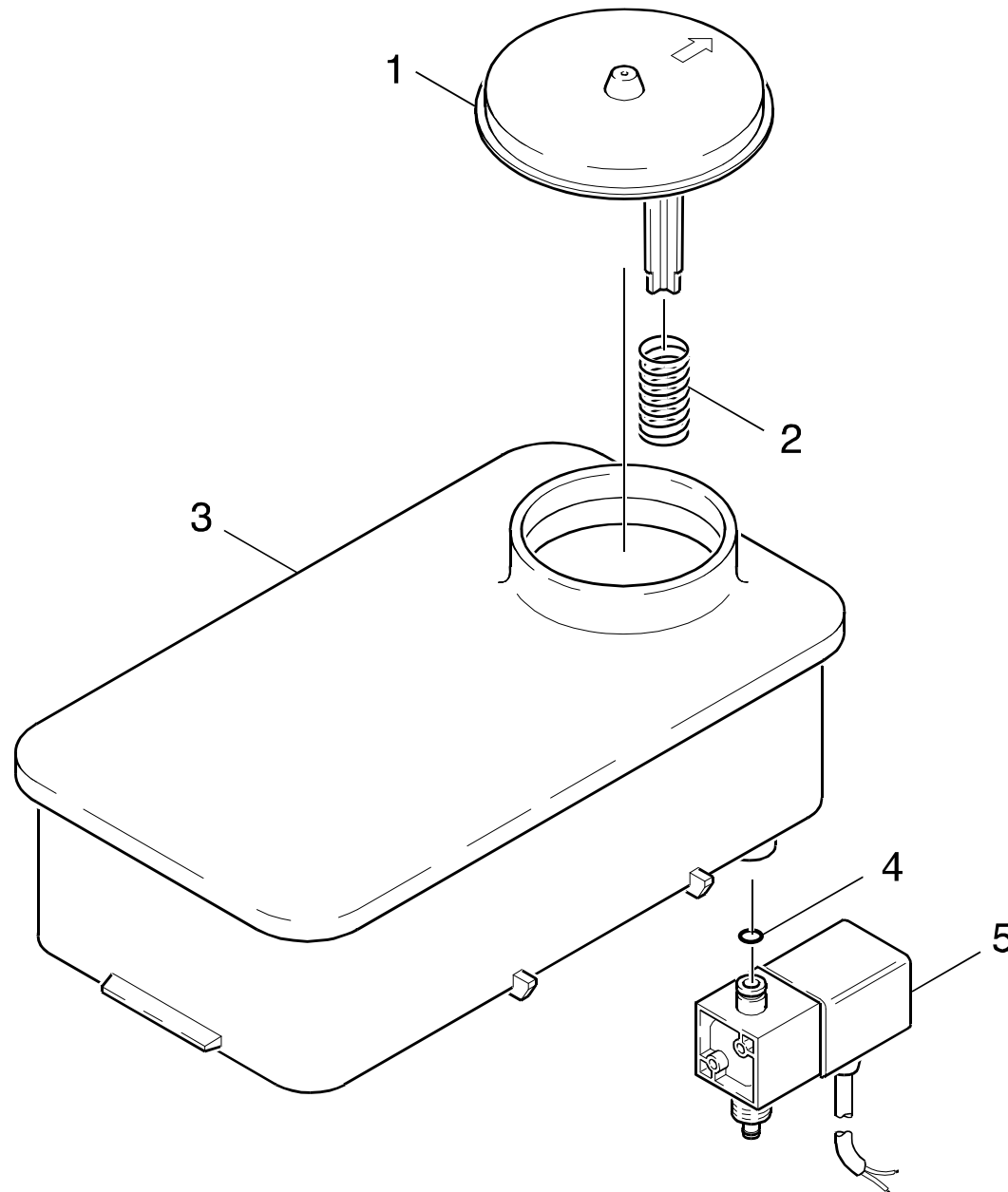
GRUPPE: 8.1 SCHWIMMERKASTEN  
GROUP: 8.1 FLOAT CHEST  
GROUPE: 8.1 BOITE DU FLOTTEUR

C8

HDS 690

POS. ITM. POS.	BENNENNUNG DESCRIPTION DESIGNATION	TEILE-NR. PART-NO. NO.PIECE	STCK QTY. NBR.
0	SCHWIMMERVENTIL / FLOAT VALVE / SOUPAPE A FLOTTEUR	3.593-054.0	1
1	SPLINT 4,0X 50 / COTTER / GOUPILLE FENDUE	7.316-432.0	1
2	BEHAELTER / TANK / BAC	5.070-064.0	1
3	BL.SCHR. ST4,8X25,0 / SHEET METAL SCREW / VIS A TOLE	7.303-364.0	2
4	SCHEIBE 5 / WASHER / RONDELLE	7.312-278.0	2
5	SCHNAPPMUTTER 4,8 / SNAP NUT / ECROU A ENCLANCH.	6.310-028.0	2
6	SCHLAUCH 19X4 / HOSE / TUYAU FLEXIBLE	6.388-721.0	1
7	KABELBAND 8-210 / CABLE TIE / PROTECT. DE CABLE	6.641-474.0	2
8	SCHUTZTEIL / PROTECTION PART / PARTIE PROTECTEUR	5.394-066.0	1
9	BOLZEN 3,0X 25 / BOLT / BOULON	7.316-004.0	1
10	VENTILBOLZEN / VALVE PIN / BOULON DE SOUPAPE	5.584-026.0	1
11	FLACHDICHTUNG / GASKET / GARNITURE PLATE	5.364-095.0	1
12	VENTILGEHAEUSE / VALVE HOUSING / CORPS DE SOUPAPE	5.587-103.0	1
13	O-RING 13,3 X 2,4 / GASKET / BAQUE D'ETANCHEITE	6.362-078.0	2
14	SCHLAUCHNIPPEL / HOSE STEM / RACCORD DE FLEXIBLE	5.443-224.0	1
15	MUTTER R 3/4Z / NUT / ECROU	5.310-061.0	1
16	SCHLAUCHSCHELLE / HOSE BAND CLIP / COLLIER DE SERRAGE	6.388-547.0	2
17	SCHLAUCH DN16 / HOSE / TUYAU FLEXIBLE	6.388-719.0	1
18	HEBEL / LEVER / LEVIER	5.481-029.0	1
19	6KT-MUTTER M 6 / HEXAGON NUT / ECROU HEXAGONAL	7.311-422.0	1
20	SCHEIBE 6 / WASHER / RONDELLE	7.312-279.0	1
21	SCHWIMMER / FLOAT / FLOTTEUR	5.585-004.0	1
22	SCHEIBE / WASHER / RONDELLE	5.115-158.0	1
23	SCHRAUBE M 6X 20 / SCREW / VIS	7.306-194.0	1
24	MUTTER / NUT / ECROU	5.310-062.0	1
25	SCHLAUCHNIPPEL / HOSE STEM / RACCORD DE FLEXIBLE	5.443-211.0	1
26	BUCHSE / BUSH / DOUILLE	5.112-189.0	1

"=> xxxxxx" = bis Werknummer / up to serial No. / jusqu' au No. de fabr. / "xxxxxx =>" = ab Werknummer / from serial No. / a partir du No. de fabr. /



Symbolbeschreibung siehe M16 / symbol description see M16 / désignation de système voir M16 /



GRUPPE: 8.2 DGT  
GROUP: 8.2 DROP METERING UNIT  
GROUPE: 8.2 DGT

E8

HDS 690

POS.	BENNENUNG	TEILE-NR.	STCK
ITM.	DESCRIPTION	PART-NO.	QTY.
POS.	DESIGNATION	NO.PIECE	NBR.
1	DECKEL / COVER / COUVERCLE	5.063-226.0	1
2	SCHRAUBENFEDER / HELICAL SPRING / RESSORT CYLINDRIQUE	5.332-001.0	1
3	BEHAELTER / TANK / BAC	4.070-094.0	1
4	O-RING 6,0 X 2,0 / GASKET / BAQUE D'ETANCHEITE	6.362-113.0	1
5	MAGNETVENTIL / SOLENOID VALVE / ELECTROVANNE	6.685-210.0	1

"=> xxxxxx" = bis Werknummer / up to serial No. / jusqu' au No. de fabr. / "xxxxxx =>" = ab Werknummer / from serial No. / a partir du No. de fabr. /

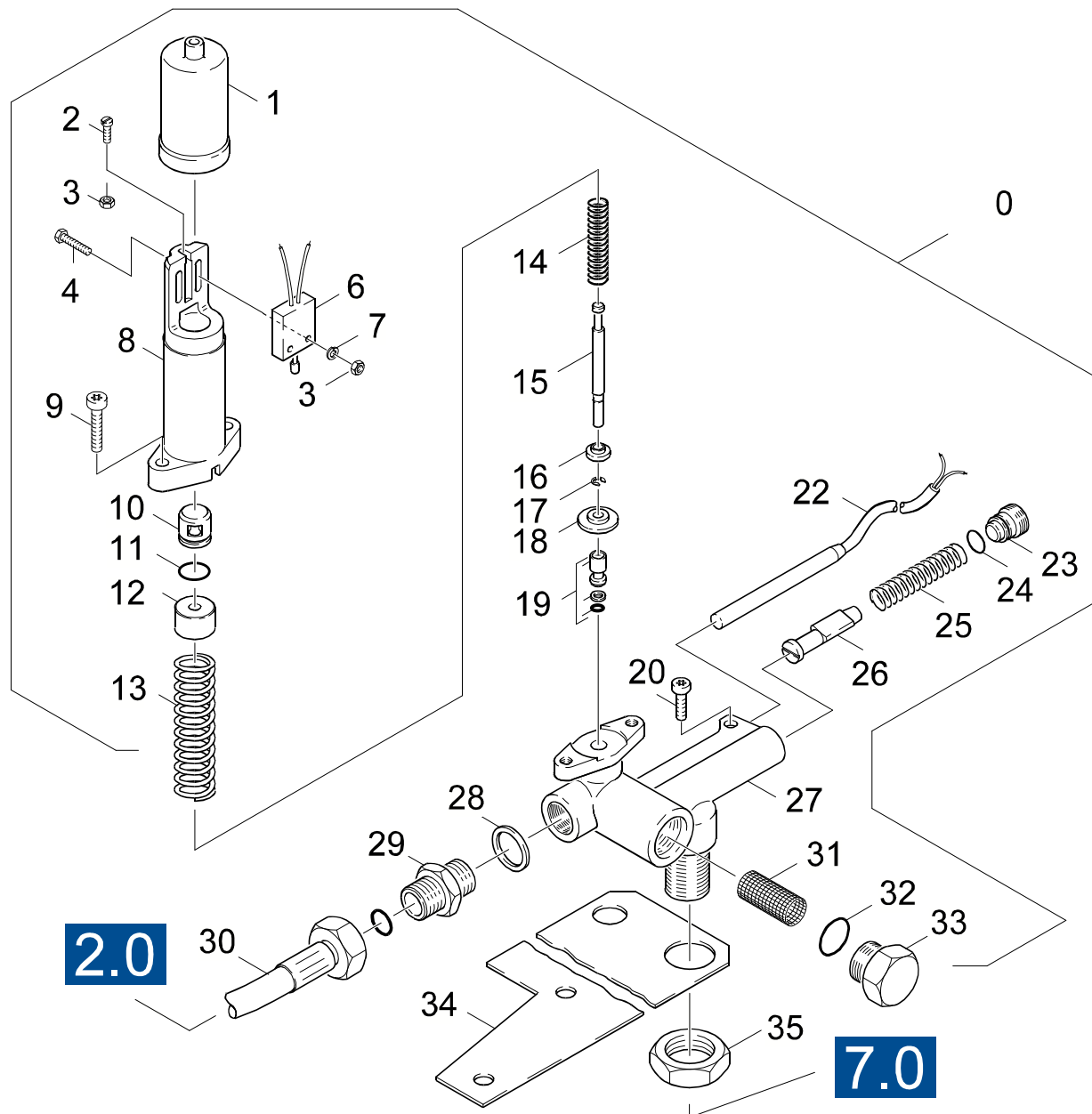
GRUPPE: 9.0 SICHERHEITSBLOCK  
GROUP: 9.0 SAFETY SYSTEM  
GRUPPE: 9.0 BLOC DE SECURITE

**A9**

**HDS 690**

**GRUPPE: 9.0 SICHERHEITSBLOCK**  
**GROUP: 9.0 SAFETY SYSTEM**  
**GRUPPE: 9.0 BLOC DE SECURITE**

Ersatzteile unter [www.gluesing.net](http://www.gluesing.net)



Symbolbeschreibung siehe M16 / symbol description see M16 / désignation de système voir M16 /

GRUPPE: 9.0 SICHERHEITSBLOCK  
 GROUP: 9.0 SAFETY SYSTEM  
 GROUPE: 9.0 BLOC DE SECURITE

C9

HDS 690

POS. ITM. POS.	BENNENNUNG DESCRIPTION DESIGNATION	TEILE-NR. PART-NO. NO.PIECE	STCK QTY. NBR.	POS. ITM. POS.	BENNENNUNG DESCRIPTION DESIGNATION	TEILE-NR. PART-NO. NO.PIECE	STCK QTY. NBR.
0	SICHERHEITSBLOCK / SAFETY SYSTEM / BLOC DE SECURITE	4.749-100.0	1	35	6KT-MUTTER M22X1,5 / HEXAGON NUT / ECROU HEXAGONAL	7.311-155.0	1
1	SCHUTZTEIL / PROTECTION PART / PARTIE PROTECTEUR	5.394-060.0	1				
2	SCHRAUBE M 3X 16 / SCREW / VIS	7.306-054.0	1				
3	6KT-MUTTER M 3 / HEXAGON NUT / ECROU HEXAGONAL	7.311-000.0	3				
4	6KT-SCHR. M 3X 20 / HEXAGONAL HEAD SCREW / VIS HEXAGONAL	7.304-352.0	2				
6	MIKROSCHALTER / MICRO SWITCH / MICRORUPTEUR	6.631-125.0	1				
7	FEDERRING B 3 / SPRING WASHER / RONDELLE GROWER	7.313-000.0	2				
8	GEHAEUSE / HOUSING / BOITIER	5.060-099.0	1				
9	SCHRAUBE M 6X 30 / SCREW / VIS	7.306-105.0	2				
10	KOLBEN / PISTON / PISTON	5.553-046.0	1				
11	O-RING 12,0 X 2,0 / GASKET / BAQUE D'ETANCHEITE	6.362-169.0	1				
12	BUCHSE / BUSH / DOUILLE	5.112-207.0	1				
13	SCHRAUBENFEDER / HELICAL SPRING / RESSORT CYLINDRIQUE	5.332-069.0	1				
14	SCHRAUBENFEDER / HELICAL SPRING / RESSORT CYLINDRIQUE	5.332-070.0	1				
15	STANGE / BAR / TIGE	5.107-023.0	1				
16	BUCHSE / BUSH / DOUILLE	5.112-094.0	1				
17	S-SCHEIBE 4 / LOCK WASHER / RONDELLE D'ARRET	7.343-203.0	1				
18	SCHEIBE / WASHER / RONDELLE	5.115-147.0	1				
19	KOLBEN / PISTON / PISTON	4.553-025.0	1				
20	SCHRAUBE M 6X 16 / SCREW / VIS	7.306-090.0	1				
22	ERSATZREEDSCHALTER / SPARE REED SWITCH / INTERRUPT.REED DE RESERVE	2.880-194.0	1				
23	FORMSCHRAUBE / FORM SCREW / VIS	5.305-162.0	1				
24	O-RING 10 X 1,5 / GASKET / BAQUE D'ETANCHEITE	6.362-482.0	1				
25	SCHRAUBENFEDER / HELICAL SPRING / RESSORT CYLINDRIQUE	5.332-057.0	1				
26	KOLBEN / PISTON / PISTON	4.553-022.0	1				
27	GEHAEUSE / HOUSING / BOITIER	5.605-131.0	1				
28	DICHTRING 18 X22 / JOINT RING / BAGUE D'ETANCHEITE	7.362-009.0	1				
29	STUTZEN A12 M18X1,5 / CONNECTION PIECE / TUBULURE	7.386-476.0	1				
30	HD-SCHLAUCH DN 8 / HIGH PRESSURE HOSE / TUYAU FLEXIBLE HAUTE PRE.	6.388-859.0	1				
31	SIEB / STRAINER / CREPINE	6.414-111.0	1				
32	O-RING 17,3 X 2,4 / GASKET / BAQUE D'ETANCHEITE	6.362-160.0	1				
33	VERSCHLUSSSCHRAUBE / CLOSING SCREW / VIS DE FERMETURE	5.411-059.0	1				
34	HALTER / BRACKET / FIXATION	5.042-261.0	1				

"=> xxxxxx" = bis Werknummer / up to serial No. / jusqu' au No. de fabr. / "xxxxxx =>" = ab Werknummer / from serial No. / a partir du No. de fabr. /

GRUPPE: 10.0ZUBEHOER  
GROUP: 10.0ACCESSORIES  
GRUPPE: 10.0ACCESSOIRES

**A10**

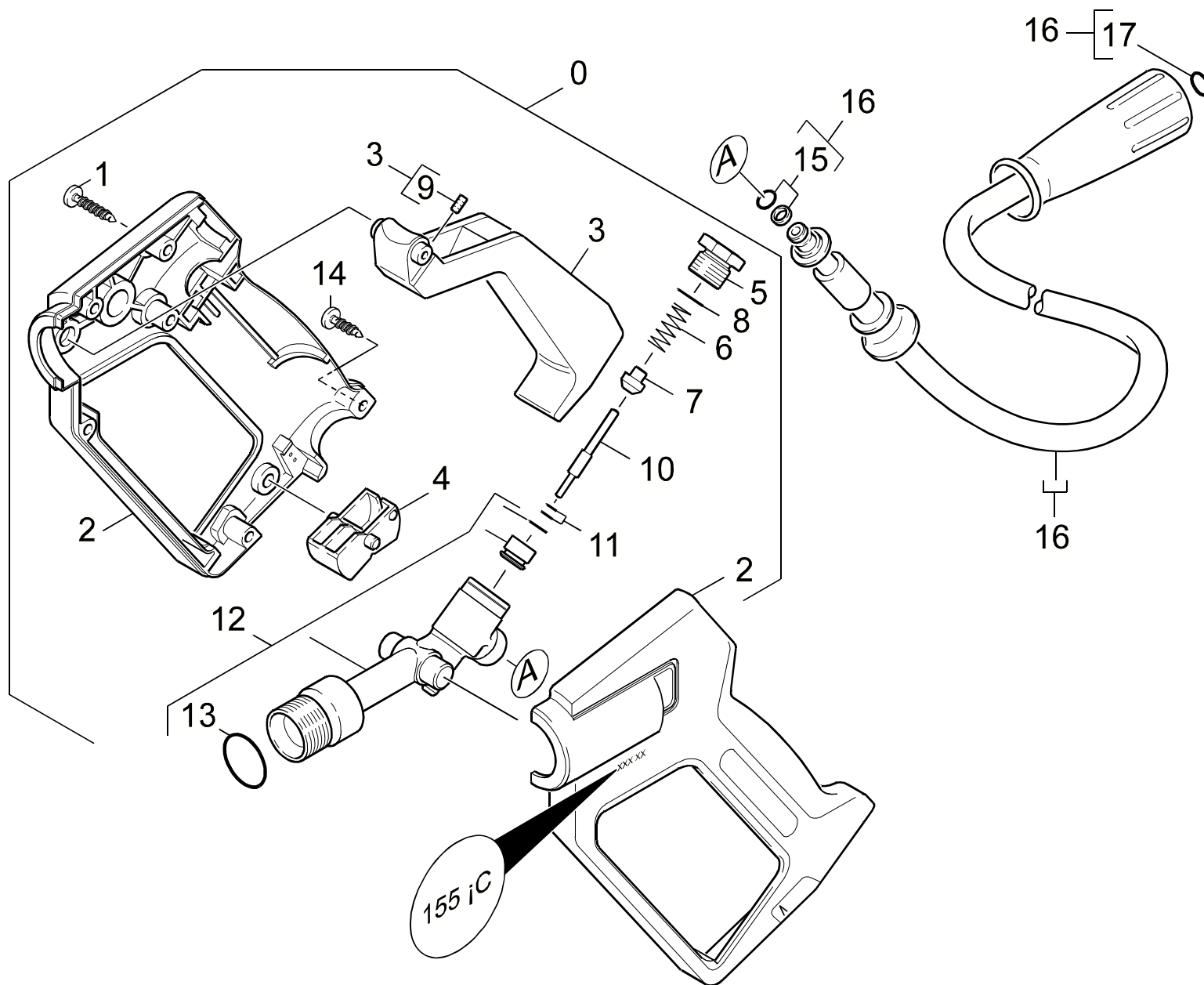
**HDS 690**

**GRUPPE: 10.0ZUBEHOER**  
**GROUP: 10.0ACCESSORIES**  
**GRUPPE: 10.0ACCESSOIRES**

GRUPPE: 10.1 HANDSPRITZPISTOLE  
GROUP: 10.1 TRIGGER GUN  
GRUPPE: 10.1 POIGNEE PISTOLET

B10

HDS 690



Symbolbeschreibung siehe M16 / symbol description see M16 / désignation de système voir M16 /

GRUPPE: 10.1HANDSPRITZPISTOLE  
GROUP: 10.1TRIGGER GUN  
GROUPE: 10.1POIGNEE PISTOLET

C10

HDS 690

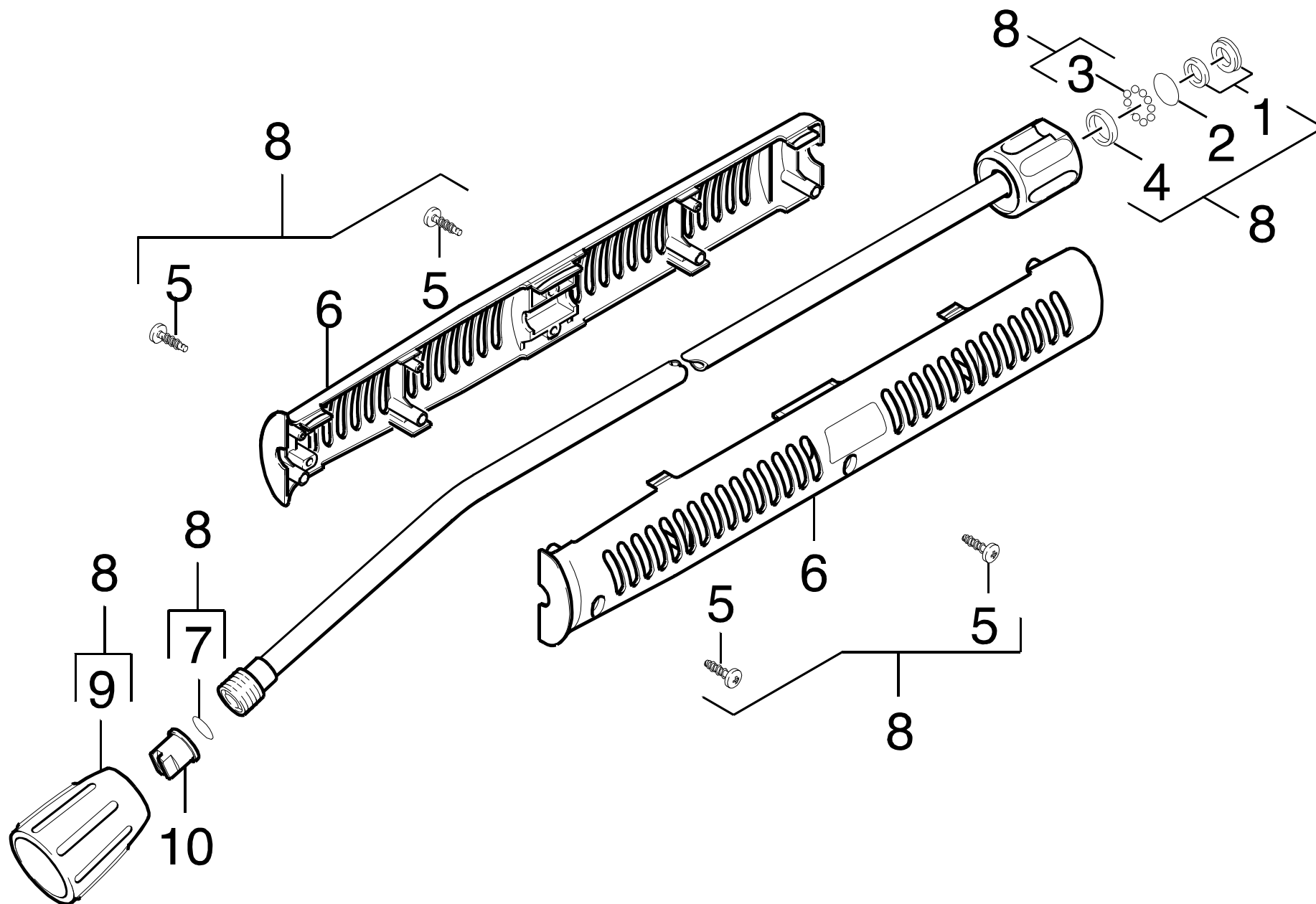
POS. ITM. POS.	BENNENUNG DESCRIPTION DESIGNATION	TEILE-NR. PART-NO. NO.PIECE	STCK QTY. NBR.
0	HANDSPRITZPISTOLE / TRIGGER GUN / POIGNEE PISTOLET	4.775-080.0	1
1	LINSENSCHR. 4,2X22 / OVAL HEAD SCREW / VIS A TETE BOMBEE	6.303-024.0	6
2	GRIFFPAAR / HANDLES / BRANCHES POIGNEE	5.321-230.0	1
3	HEBEL / LEVER / LEVIER	4.481-050.0	1
4	HEBEL / LEVER / LEVIER	5.481-052.0	1
5	VERSCHLUSSCHRAUBE / CLOSING SCREW / VIS DE FERMETURE	5.411-067.0	1
6	SCHRAUBENFEDER / HELICAL SPRING / RESSORT CYLINDRIQUE	5.332-157.0	1
7	VENTILTELLER / VALVE DISC / TETE DE SOUPAPE	5.582-084.0	1
8	O-RING 12,42X 1,78 / GASKET / BAQUE D'ETANCHEITE	6.362-584.0	1
9	GEW.STIFT M 8X 16 / THREADED PIN / VIS SANS TETE	7.307-417.0	1
10	STANGE / BAR / TIGE	5.107-097.0	1
11	O-RING KPL./1ST.-R. / GASKET / BAQUE D'ETANCHEITE	6.362-571.0	1
12	KNOTENSTUECK / MANIFOLD / FERRURE NODALE	4.427-131.0	1
13	O-RING 17,12X 2,62 / GASKET / BAQUE D'ETANCHEITE	6.362-496.0	1
14	LINSENSCHR. 4,2X16 / OVAL HEAD SCREW / VIS A TETE BOMBEE	6.303-025.0	1
15	O-RING KPL./1ST.-R. / GASKET / BAQUE D'ETANCHEITE	6.363-115.0	1
16	HD-SCHLAUCH DN6 / HIGH PRESSURE HOSE / TUYAU FLEXIBLE HAUTE PRE.	6.389-853.0	1
17	ERSATZTEILSET / SPARE PARTS KIT / KIT DE PIECES	2.880-296.0	1
100	ERSATZTEILSET / SPARE PARTS KIT / KIT DE PIECES	2.883-192.0	1

"=> xxxxxx" = bis Werknummer / up to serial No. / jusqu' au No. de fabr. / "xxxxxx =>" = ab Werknummer / from serial No. / a partir du No. de fabr. /

GRUPPE: 10.2 STRAHLROHR / VERSION 1 /  
GROUP: 10.2 JET PIPE / VERSION 1 /  
GRUPPE: 10.2 LANCE D'INCENDIE / VERSION 1 /

D10

HDS 690



Symbolbeschreibung siehe M16 / symbol description see M16 / désignation de système voir M16 /



GRUPPE: 10.2STRAHLROHR / VERSION 1 /  
GROUP: 10.2JET PIPE / VERSION 1 /  
GRUPPE: 10.2LANCE D'INCENDIE / VERSION 1 /

E10

HDS 690

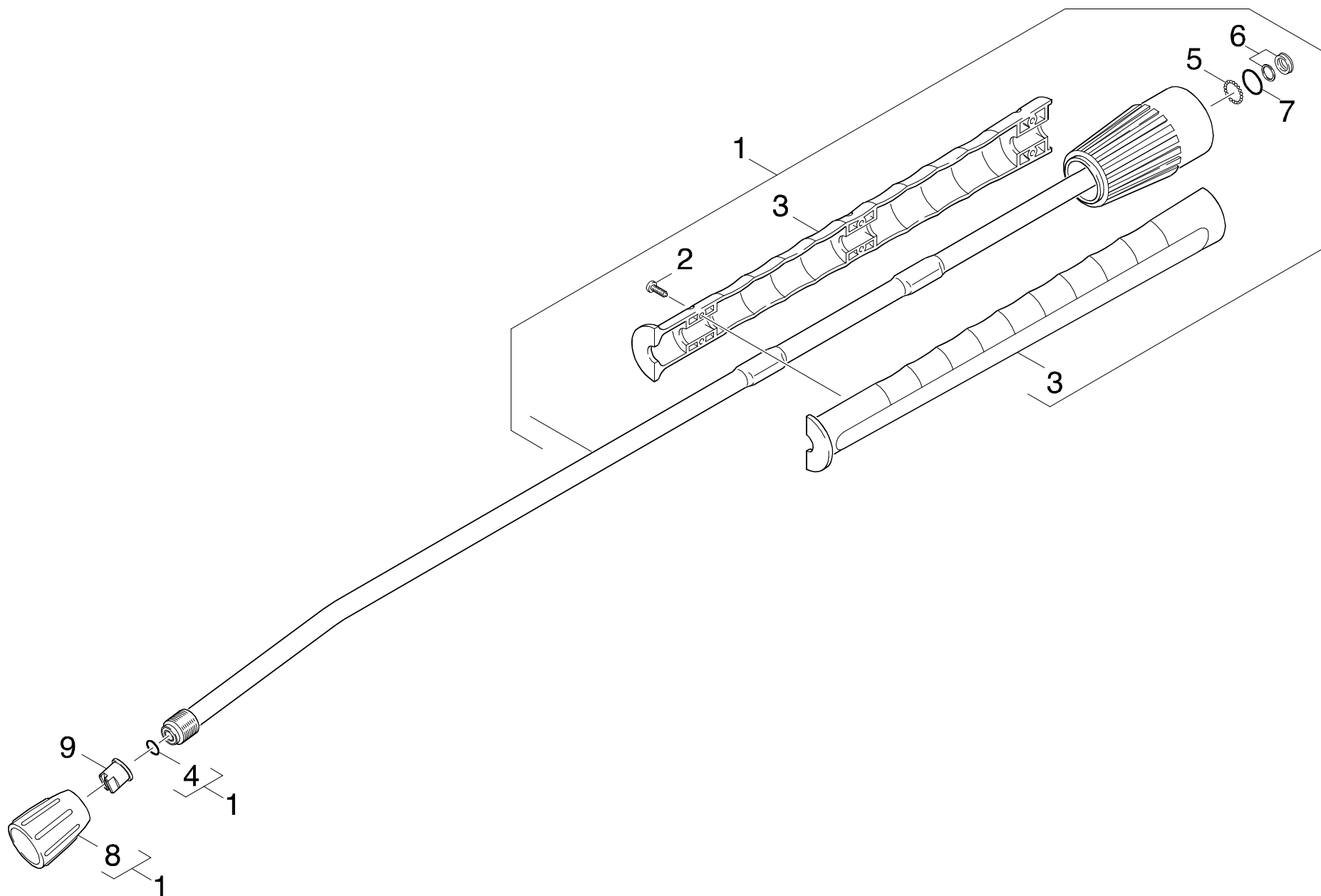
POS. ITM. POS.	BENNENUNG DESCRIPTION DESIGNATION	TEILE-NR. PART-NO. NO.PIECE	STCK QTY. NBR.
1	NUTRING KPL.1ST.R. / GROOVED RING / JOINT A LEVRES	6.362-532.0	1
2	O-RING 17,0 X 1,5 / GASKET / BAQUE D'ETANCHEITE	6.362-524.0	1
3	KUGEL 4,0 KL3 / BALL / BOULE	7.401-921.0	12
4	DICHTRING 12X1,5 / JOINT RING / BAGUE D'ETANCHEITE	6.362-529.0	1
5	LINSENSCHR. 4,2X16 / OVAL HEAD SCREW / VIS A TETE BOMBEE	6.303-025.0	4
6	GRIFF / HANDLE / POIGNEE	5.321-150.0	2
7	ERSATZTEILSET / SPARE PARTS KIT / KIT DE PIECES	2.880-296.0	1
8	STRAHLROHR KPL. / JET PIPE / LANCE D'INCENDIE	4.760-550.0	1
9	VERSCHRAUBUNGSTEIL / SCREW UNION PART / PIECE (RACCORD A VIS)	5.401-210.0	1
10	POWERDUESE 25045 / POWER NOZZLE / BUSE	2.883-398.0	1

"=> xxxxxx" = bis Werknummer / up to serial No. / jusqu' au No. de fabr. / "xxxxxx =>" = ab Werknummer / from serial No. / a partir du No. de fabr. /

GRUPPE: 10.3 STRAHLROHR / VERSION 2 /  
GROUP: 10.3 JET PIPE / VERSION 2 /  
GRUPPE: 10.3 LANCE D'INCENDIE / VERSION 2 /

F10

HDS 690



Symbolbeschreibung siehe M16 / symbol description see M16 / désignation de système voir M16 /

GRUPPE: 10.3 STRAHLROHR / VERSION 2 /  
GROUP: 10.3 JET PIPE / VERSION 2 /  
GRUPPE: 10.3 LANCE D'INCENDIE / VERSION 2 /

**G10**

**HDS 690**

POS. ITM. POS.	BENNENUNG DESCRIPTION DESIGNATION	TEILE-NR. PART-NO. NO.PIECE	STCK QTY. NBR.
1	STRAHLROHR KPL. / JET PIPE / LANCE D'INCENDIE	4.760-550.0	1
2	SCHRAUBE 4 X 16 / SCREW / VIS	7.303-129.0	6
3	GRIFFPaar / HANDLES / BRANCHES POIGNEE	5.321-691.0	1
4	ERSATZTEILSET / SPARE PARTS KIT / KIT DE PIECES	2.880-296.0	1
5	KUGEL 2,5 G40 / BALL / BOULE	7.401-915.0	20
6	NUTRING KPL.1ST.R. / GROOVED RING / JOINT A LEVRES	6.362-532.0	1
7	O-RING 17,0 X 1,5 / GASKET / BAQUE D'ETANCHEITE	6.362-524.0	1
8	VERSCHRAUBUNGSTEIL / SCREW UNION PART / PIECE (RACCORD A VIS)	5.401-210.0	1
9	POWERDUESE 25045 / POWER NOZZLE / BUSE	2.883-398.0	1

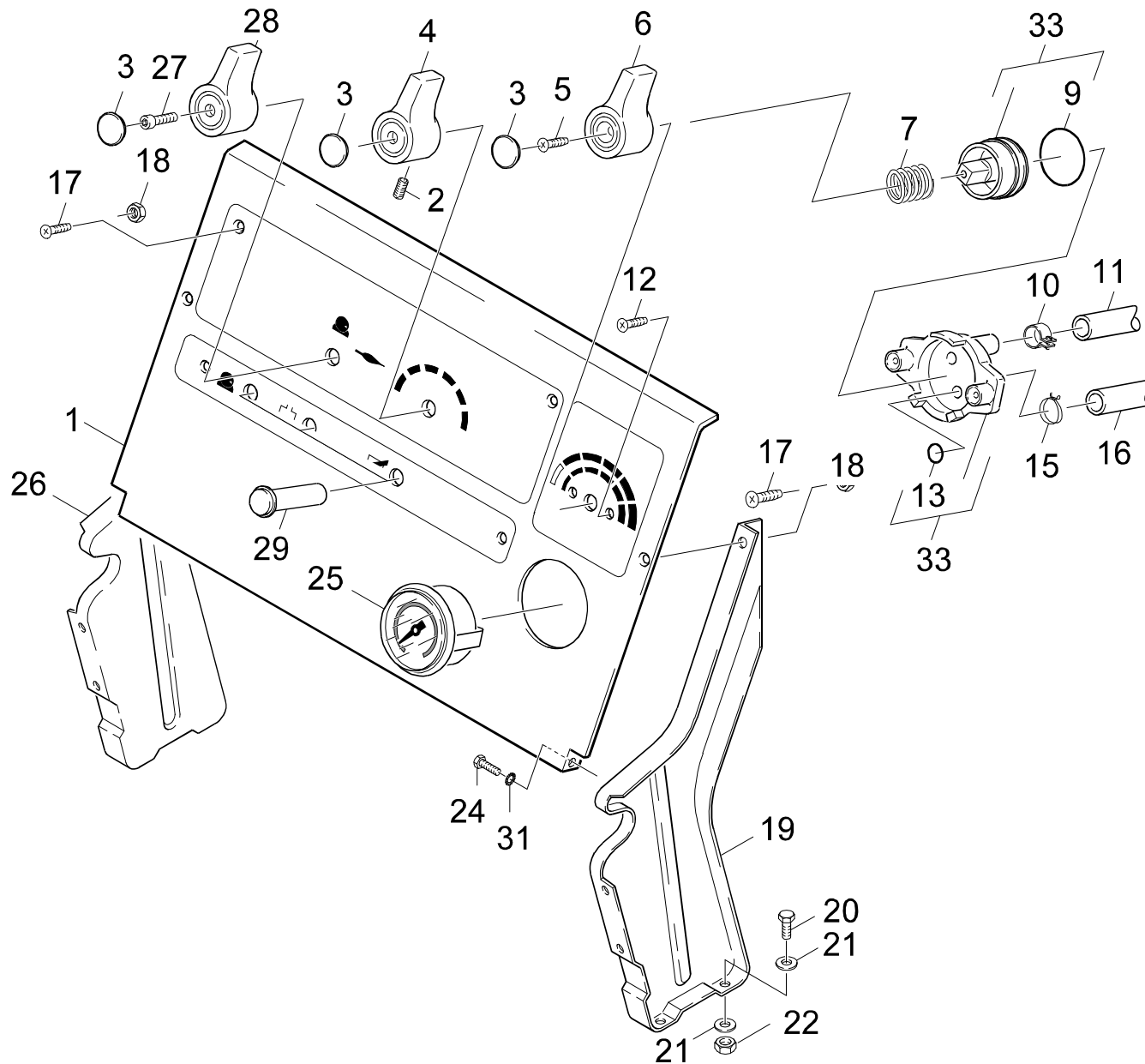
"=> xxxxxx" = bis Werknummer / up to serial No. / jusqu' au No. de fabr. / "xxxxxx =>" = ab Werknummer / from serial No. / a partir du No. de fabr. /

GRUPPE: 11.0INSTRUMENTENTAFEL  
GROUP: 11.0CONTROL PANEL  
GRUPPE: 11.0TABLEAU DE BORD

**A11**

**HDS 690**

**GRUPPE: 11.0INSTRUMENTENTAFEL**  
**GROUP: 11.0CONTROL PANEL**  
**GRUPPE: 11.0TABLEAU DE BORD**



Symbolbeschreibung siehe M16 / symbol description see M16 / désignation de système voir M16 /

GRUPPE: 11.0 INSTRUMENTENTAFEL  
GROUP: 11.0 CONTROL PANEL  
GROUPE: 11.0 TABLEAU DE BORD

C11

HDS 690

POS. ITM. POS.	BENNENUNG DESCRIPTION DESIGNATION	TEILE-NR. PART-NO. NO.PIECE	STCK QTY. NBR.
1	INSTRUMENTENTAFEL / CONTROL PANEL / TABLEAU DE BORD	5.841-253.0	1
2	GEW.STIFT M 5X 10 / THREADED PIN / VIS SANS TETE	7.307-181.0	1
3	STOPFEN / PLUG / BOUCHON	5.132-010.0	3
4	GRIFF / HANDLE / POIGNEE	5.321-026.0	1
5	SENKSCHR. M 4X 16 / FLAT HEADED SCREW / VIS A TETE CONIQUE	7.305-023.0	1
6	GRIFF / HANDLE / POIGNEE	5.321-023.0	1
7	SCHRAUBENFEDER / HELICAL SPRING / RESSORT CYLINDRIQUE	5.332-028.0	1
9	O-RING 25,3 X 2,4 / GASKET / BAQUE D'ETANCHEITE	6.362-712.0	1
10	SCHLAUCHSCHELLE / HOSE BAND CLIP / COLLIER DE SERRAGE	6.388-515.0	1
11	SCHLAUCH DN 7 / HOSE / TUYAU FLEXIBLE	6.388-194.0	1
12	SENKSCHR. M 4X 10 / FLAT HEADED SCREW / VIS A TETE CONIQUE	6.305-001.0	2
13	O-RING 5 X 1,5 / GASKET / BAQUE D'ETANCHEITE	6.362-386.0	1
15	SCHLAUCHSCHELLE / HOSE BAND CLIP / COLLIER DE SERRAGE	6.388-559.0	2
16	SCHLAUCH DN 7 / HOSE / TUYAU FLEXIBLE	6.388-225.0	2
17	SENKSCHR. M 5X 10 / FLAT HEADED SCREW / VIS A TETE CONIQUE	7.305-599.0	6
18	6KT-MUTTER M 5 / HEXAGON NUT / ECROU HEXAGONAL	7.311-421.0	8
20	6KT-SCHR. M 8X 16 / HEXAGONAL HEAD SCREW / VIS HEXAGONAL	7.304-395.0	4
21	FEDERRING B 8 / SPRING WASHER / RONDELLE GROWER	7.313-004.0	8
22	6KT-MUTTER M 8 / HEXAGON NUT / ECROU HEXAGONAL	7.311-004.0	4
24	SCHRAUBE M 5X 12 / SCREW / VIS	7.303-038.0	2
25	MANOMETER O-250 BAR / PRESSURE GAUGE / MANOMETRE	6.421-075.0	1
27	ZYL.SCHR. M 3,5X 12 / CHEESE HEAD SCREW / VIS A TETE CYLINDR.	7.306-415.0	1
28	GRIFF / HANDLE / POIGNEE	5.321-328.0	1
29	SIGNALLEUCHTE ROT / PILOT LAMP / LAMPE TEMOIN	6.651-234.0	3
31	ZAHNSCHEIBE A 6,4 / LOCK WASHER / ROUE PLATE	7.312-165.0	2
33	VENTIL / VALVE / SOUPAPE	4.580-064.0	1

"=> xxxxxx" = bis Werknummer / up to serial No. / jusqu' au No. de fabr. / "xxxxxx =>" = ab Werknummer / from serial No. / a partir du No. de fabr. /

## Bestellhinweis

Bei Ihrer Bestellung sind unbedingt anzugeben :

1.	2.	3.	4.	5.
Gerätetyp Machine model Type d'appareils	Herstell-Nr. Serial-No. No. de série	Benennung Description Désignation	Teile-Nr. Part No. Référence	Stückzahl Piece No. Quantité



**siehe Typenschild  
see name-plate  
voir plaque signalétique**



**siehe Ersatzteilliste  
see spare parts list  
voir liste des pièces de rechange**

- Die Ersatzteile, welche als Meterware geliefert werden, sind auf Einbaulänge selbst zu kürzen. Ebenso sind die Stückzahlen in den jeweiligen Gruppen als Mindestbestellmengen = 1m angegeben und können je nach Bedarf auf weitere volle Meterzahlen erhöht und bestellt werden.
- Spare Parts which are delivered as cut goods have to be shortened to installation length. The quotation of quantity in each group refers to the minimum order quantity = 1m and may be ordered and raised to further full metre-values according to demand
- Les pièces de rechange qui sont livrées comme marchandise au mètre sont à raccourcir selon la longueur d'installation. Les indications de quantité dans chaque group se réfèrent à des valeurs de mètre de plus.
- Diese Ersatzteilliste erscheint in gedruckter Form sowie als Mikrofiche. Bei Querverweisen bezieht sich die Angabe "Seitenzahl" auf die gedruckte Ersatzteilliste und die Angabe "Bildtafel" auf die Mikrofilmausgabe.
- This spare parts list is published both in printed form and as a microfiche. In the cross-references, "page number" refers to the printed spare parts list and "display table" to the microfilm edition.
- Cette liste de pièces de rechange est aussi bien imprimée que publiée sous forme de microfiche. Les indications transversales renvoient au "numéro de page" sur la liste imprimée des pièces de rechange et à la "planche" sur la microfiche.

Bitte beachten Sie, daß der Teileumfang dieser Ersatzteilliste nicht unbedingt dem Lieferumfang Ihres Gerätes entspricht.

For your information: It could be that certain parts quoted in this spare parts list were not included with the machine delivery.

Pour votre information: il se peut que certaines pièces détachées mentionnées sur la liste ne vous aient pas été livrées avec l'appareil.

Die in dieser Ersatzteilliste nicht aufgeführten Einzelteile, bestellen Sie bitte direkt beim Vertragskundendienst des jeweiligen Herstellers.

Please order the individual parts not included in this assembly directly with the contract aftersales service of the manufacturer in question.

Veillez s'il vous plaît, commander les pièces détachées qui ne sont indiquées dans notre liste des pièces détachées, directement auprès du service après-vente des fabricants en question.

Bei Bestellung von lackierten Teilen, welche in der Ersatzteilliste nicht in verschiedenen Farben ausgewiesen sind, ist zusätzlich die Farbnummer oder Farbe mit anzugeben. Diese finden Sie auf dem Typenschild oder Farbschild Ihres Gerätes.

Upon ordering of varnished parts which are not mentioned in the spare parts list as parts with different colors, kindly additionally mention the number of the color. It can be seen on the type plate of the color plate of your machine.

Commandant des parts vernissés qui ne sont pas mentionnés comme parts avec une couleur différente dans la liste des pièces détachées, veuillez mentionner de plus le numéro de la couleur. Il se trouve sur la plaque signalétique ou la plaque de couleur de votre machine.

Auflistungen von Einzelteilen bei Ersatzteil - u. Pumpensets sind in der Reihe "16" einzusehen, bzw. direkt unter dem entsprechenden Set aufgelistet.

Listings of single parts upon spare parts kits and pump kits can be seen in row "16" or directly listed below the corresponding kit.  
Des établissements des pièces détachées en ce qui concerne les kits des pièces de rechange et les kits de pompes, peuvent être vus à la ligne "16" ou ils sont répertoriés directement au-dessous du jeu correspondant.

Technische Änderungen im Rahmen der Weiterentwicklung sowie das Recht der ausschließlichen Auswertung unseres geistigen Eigentums behalten wir uns vor. Vervielfältigung und Nachdruck nur mit Genehmigung und Urheberhinweis möglich.

We reserve the right to make technical changes in the course of development work and the right to make exclusive use of our intellectual property. This spare parts list may be duplicated or reprinted only with our approval and with acknowledgement of our copyright.

Nous nous réservons le droit de toutes modifications techniques dans le cadre du perfectionnement des mises au point ainsi que le droit de la mise en valeur exclusive de notre propriété intellectuelle. Polycopie et reproduction exclusivement après accord et avec mention de l'auteur.

# INDEX

## M16

## HDS 690

GRUPPE: 1.0 EINZELTEILE GROUP: 1.0 PIECE PARTS GROUPE: 1.0 PIECES CONSTITUANTES	A1-C1	GRUPPE: 9.0 SICHERHEITSBLOCK GROUP: 9.0 SAFETY SYSTEM GROUPE: 9.0 BLOC DE SECURITE	A9-C9
GRUPPE: 2.0 PUMPENSATZ GROUP: 2.0 PUMP SET GROUPE: 2.0 JEU (ENSEMBLE) DE POMPE	A2-G2	GRUPPE: 10.0 ZUBEHOER GROUP: 10.0 ACCESSORIES GROUPE: 10.0 ACCESSOIRES	A10-G10
GRUPPE: 3.0 MOTOR GROUP: 3.0 MOTOR GROUPE: 3.0 MOTEUR	A3-C3	GRUPPE: 11.0 INSTRUMENTENTAFEL GROUP: 11.0 CONTROL PANEL GROUPE: 11.0 TABLEAU DE BORD	A11-C11
GRUPPE: 4.0 GEBLAESE GROUP: 4.0 BLOWER GROUPE: 4.0 VENTILATEUR	A4-C4		
GRUPPE: 5.0 BRENNSTOFFPUMPE GROUP: 5.0 FUEL PUMP GROUPE: 5.0 POMPE DE COMBUSTIBLE	A5-E5		
GRUPPE: 6.0 E-GERAETESCHRANK GROUP: 6.0 ELECTRIC CONTROL BOX GROUPE: 6.0 COFFRET ELECTRIQUE	A6-C6		
GRUPPE: 7.0 DURCHLAUFERHITZER GROUP: 7.0 FLOW HEATER GROUPE: 7.0 CHAUFFE-EAU RAPIDE	A7-C7		
GRUPPE: 8.0 SCHWIMMERVERTIL GROUP: 8.0 FLOAT VALVE GROUPE: 8.0 SOUPE A FLOTTEUR	A8-E8		



BEISPIEL: VERSION 1  
EXAMPLE: VERSION 1  
EXEMPLE: VERSION 1

3.0

BEISPIEL: SIEHE IN GRUPPE 3  
EXAMPLE: SEE IN GROUP 3  
EXEMPLE: VOIR EN GROUPE 3



WICHTIGER HINWEIS  
IMPORTANT REMARK  
REMARQUAGE IMPORTANT

BESTELLHINWEIS SIEHE M15  
EXAMPLE ORDER SEE M15  
EXEMPLE DE COMMANDE VOIR M15

VARIANTENÜBERSICHT SIEHE L16  
VARIANTS SURVEY SEE L16  
VUE D'ENSEMBLE DE VARIANTS VOIR L16