

**Ersatzteilliste**  
**Spare Parts List**  
**Liste des pièces de rechange**

# HD 1090 SX

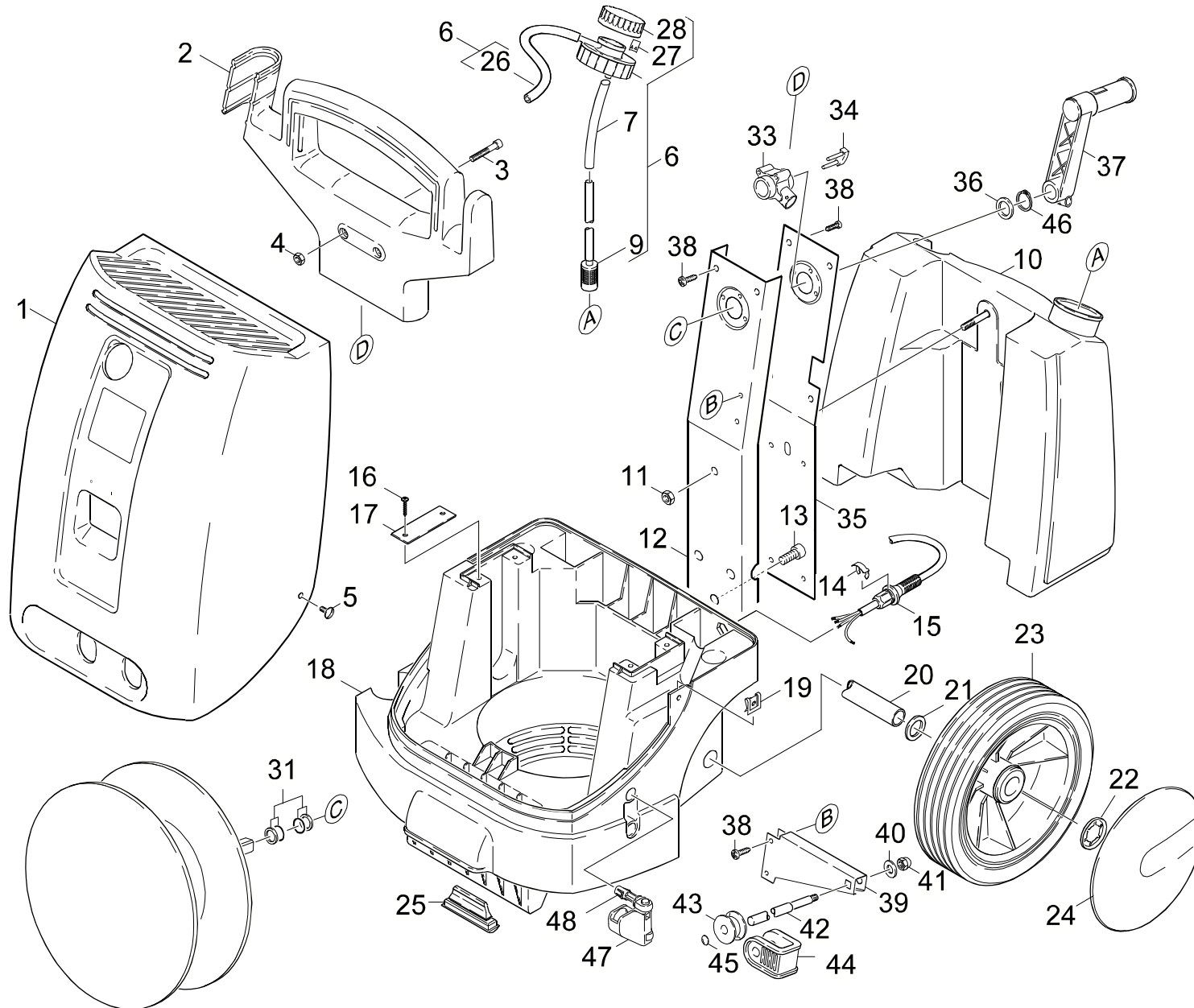
- |             |                      |       |
|-------------|----------------------|-------|
| 1.951-921.0 | HD 1090 SX           | * EUR |
| 1.951-922.0 | HD 1090 SX           | * EUR |
| 1.951-923.0 | HD 1090 SX PL*GB-AUS |       |
| 1.951-931.0 | HD 1090 SX PLUS*EUR  |       |

GRUPPE: 1.0 EINZELTEILE  
GROUP: 1.0 PIECE PARTS  
GRUPPE: 1.0 PIECES CONSTITUANTES

**A1**

**HD 1090 SX**

**GRUPPE: 1.0 EINZELTEILE**  
**GROUP: 1.0 PIECE PARTS**  
**GRUPPE: 1.0 PIECES CONSTITUANTES**



Symbolbeschreibung siehe M16 / symbol description see M16 / désignation de système voir M16 /

GRUPPE: 1.1 EINZELTEILE  
 GROUP: 1.1 PIECE PARTS  
 GROUPE: 1.1 PIECES CONSTITUANTES

C1

HD 1090 SX

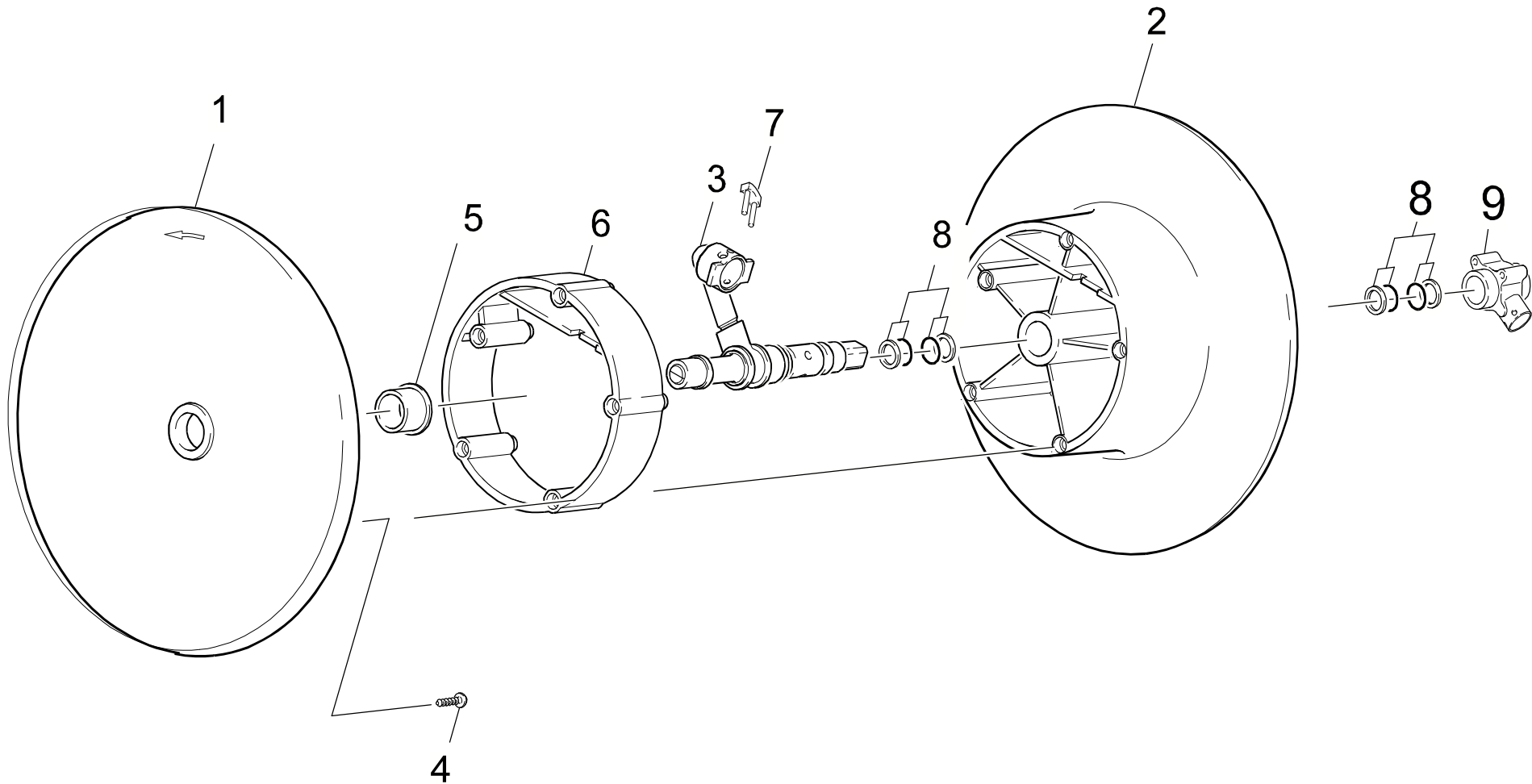
POS. ITM. POS.	BENNENUNNG DESCRIPTION DESIGNATION	TEILE-NR. PART-NO. NO.PIECE	STCK QTY. NBR.	POS. ITM. POS.	BENNENUNNG DESCRIPTION DESIGNATION	TEILE-NR. PART-NO. NO.PIECE	STCK QTY. NBR.
1	GERAETEHAUBE / COVER / COUVERCLE	5.067-031.0	1	25	AUFLAGER / SUPPORT / SUPPORT	5.057-054.0	2
2	GRIFF / HANDLE / POIGNEE	5.321-546.0	1	26	SCHLAUCH DN 7 / HOSE / TUYAU FLEXIBLE	6.388-194.0	1
3	SCHRAUBE M 6X 50 / SCREW / VIS	7.306-133.0	2		<b>ALS METERWARE BESTELLEN/TO ORDER AS CUT GOODS/COMMANDE COMME MARCHANDISE AU METRE</b>		
4	6KT-MUTTER M 6 / HEXAGON NUT / ECROU HEXAGONAL	7.311-003.0	2				
5	FL.RD.SCHR. M 6X 18 / SAUCER-HEAD SCREW / BOULON A TETE BOMBEE	6.304-099.0	2	27	BLATTFEDER / PLATE SPRING / RESSORT A LAMES	5.337-021.0	1
6	CHEMIEDOSIERVENTIL / VALVE / SOUPAPE	4.580-238.0	1	28	GRIFF / HANDLE / POIGNEE	5.321-430.0	1
7	SCHLAUCH DN 5 / HOSE / TUYAU FLEXIBLE	6.388-216.0	1	31	O-RING KPL. / GASKET / BAQUE D'ETANCHEITE	6.362-993.0	2
	<b>ALS METERWARE BESTELLEN/TO ORDER AS CUT GOODS/COMMANDE COMME MARCHANDISE AU METRE</b>			33	LAGERBOCK KPL. / BEARING BLOCK / SELLE D'APPUI	4.251-031.0	1
9	FILTER MIT GEWICHT / FILTER / FILTRE	5.731-609.0	1	34	HAKEN / HOOK / PATERE	4.037-013.0	1
10	TANK / TANK / RESERVOIR	5.071-069.0	1	35	ABDECKPLATTE / COVER PLATE / PLAQUE RECOUVREMENT	5.801-122.0	1
11	6KT-MUTTER M 8 / HEXAGON NUT / ECROU HEXAGONAL	7.311-004.0	1	36	SCHEIBE / WASHER / RONDELLE	5.115-758.0	1
12	C-PROFIL / C-PROFILE / PROFILE EN C	5.023-334.0	1	37	KURBEL KPL. / CRANK / MANIVELLE	4.321-102.0	1
13	ZYL.SCHR. M 8X 16 / CHEESE HEAD SCREW / VIS A TETE CYLINDR.	7.309-015.0	3	38	SCHRAUBE M 5X 12 / SCREW / VIS	7.303-038.0	16
14	SICHERUNGSCCLIP / SECURING CLIP / CLIP	6.343-170.0	1	39	FUEHRUNG / GUIDE / GAINE	5.031-462.0	1
	<b>/ 1.951-921.0 / -923.0</b>			40	SCHEIBE 8 / WASHER / RONDELLE	7.312-017.0	1
14	SICHERUNG / CLIP / CONSOLIDATION	6.343-186.0	1	41	HUTMUTTER M 8 / CAP NUT / ECROU BORGNE	7.311-620.0	1
	<b>/ 1.951-922.0</b>			42	ACHSE / AXLE / ESSIEU	5.105-264.0	1
15	KABEL MIT STECKER / CABLE / CABLE	6.647-379.0	1	43	UMLENKROLLE / DEFLECTION PULLEY / POULIE	5.515-112.0	1
	<b>/ 1.951-921.0</b>			44	SCHIEBER / BOLT / VERROU	5.031-463.0	1
15	KABEL KPL. / CABLE / CABLE	6.647-400.0	1	45	SCHNELLBEFESTIGER / QUICK-FASTENER / ATTACHE RAPIDE	6.343-127.0	1
	<b>/ 1.951-923.0</b>			46	S-RING 20X1,2 / SPRING CLIP / CIRCLIP	7.343-007.0	1
15	KABEL KPL. / CABLE / CABLE	6.647-401.0	1	47	UMLENKROLLE KPL. / DEFLECTION PULLEY / POULIE	4.515-037.0	1
	<b>/ 1.951-922.0</b>			48	HALTER / BRACKET / FIXATION	5.044-071.0	2
16	SCHRAUBE 6,0X20 / SCREW / VIS	6.303-174.0	4				
17	LASCHE / RETAINER CLIP / ECLISSE	5.004-641.0	2				
18	GEHAEUSE / HOUSING / BOITIER	5.605-226.0	1				
	<b>/ 1.951-921.0 / -923.0</b>						
18	GEHAEUSE / HOUSING / BOITIER	5.605-230.0	1				
	<b>/ 1.951-922.0</b>						
19	STECKMUTTER / NUT / ECROU	6.310-053.0	2				
20	ROHR / PIPE / TUYAU	5.029-229.0	1				
21	SCHEIBE 24 / WASHER / RONDELLE	7.312-060.0	1				
22	KLEMMSCHEIBE D25 / CLAMPIUNG DISC / DISQUE DE SERRAGE	6.343-217.0	2				
23	RAD D250 / WHEEL / ROUE	6.435-312.0	2				
24	RADKAPPE / WHEEL CAB / ENJOLIVEUR	6.435-197.0	2				

"=> xxxxxx" = bis Werknummer / up to serial No. / jusqu' au No. de fabr. / "xxxxxx =>" = ab Werknummer / from serial No. / a partir du No. de fabr. /

GRUPPE: 1.2 SCHLAUCHTROMMEL  
GROUP: 1.2 HOSE REEL  
GRUPPE: 1.2 TAMBOUR ENROULEUR

D1

HD 1090 SX



Symbolbeschreibung siehe M16 / symbol description see M16 / désignation de système voir M16 /

GRUPPE: 1.2 SCHLAUCHTROMMEL  
GROUP: 1.2 HOSE REEL  
GROUPE: 1.2 TAMBOUR ENROULEUR

E1

HD 1090 SX

POS. ITM. POS.	BENNENNUNG DESCRIPTION DESIGNATION	TEILE-NR. PART-NO. NO.PIECE	STCK QTY. NBR.
1	SCHLAUCHTROMMEL / HOSE REEL / TAMBOUR ENROULEUR	5.776-001.0	1
2	SCHLAUCHTROMMEL / HOSE REEL / TAMBOUR ENROULEUR	5.776-002.0	1
3	WELLE / SHAFT / ARBRE	4.603-016.0	1
4	FLACHRUNDSCHRAUBE / COACH SCREW / BOULON A TETE BOMBEE	6.303-281.0	5
5	HUELSE / SLEEVE / DOUILLE	5.110-670.0	1
6	ZWISCHENRING / INTERMEDIATE RING / BAGUE DE RACCORD	5.114-450.0	1
7	HAKEN / HOOK / PATERE	4.037-013.0	1
8	O-RING KPL. / GASKET / BAQUE D'ETANCHEITE	6.362-993.0	4
9	LAGERBOCK KPL. / BEARING BLOCK / SELLE D'APPUI	4.251-031.0	1

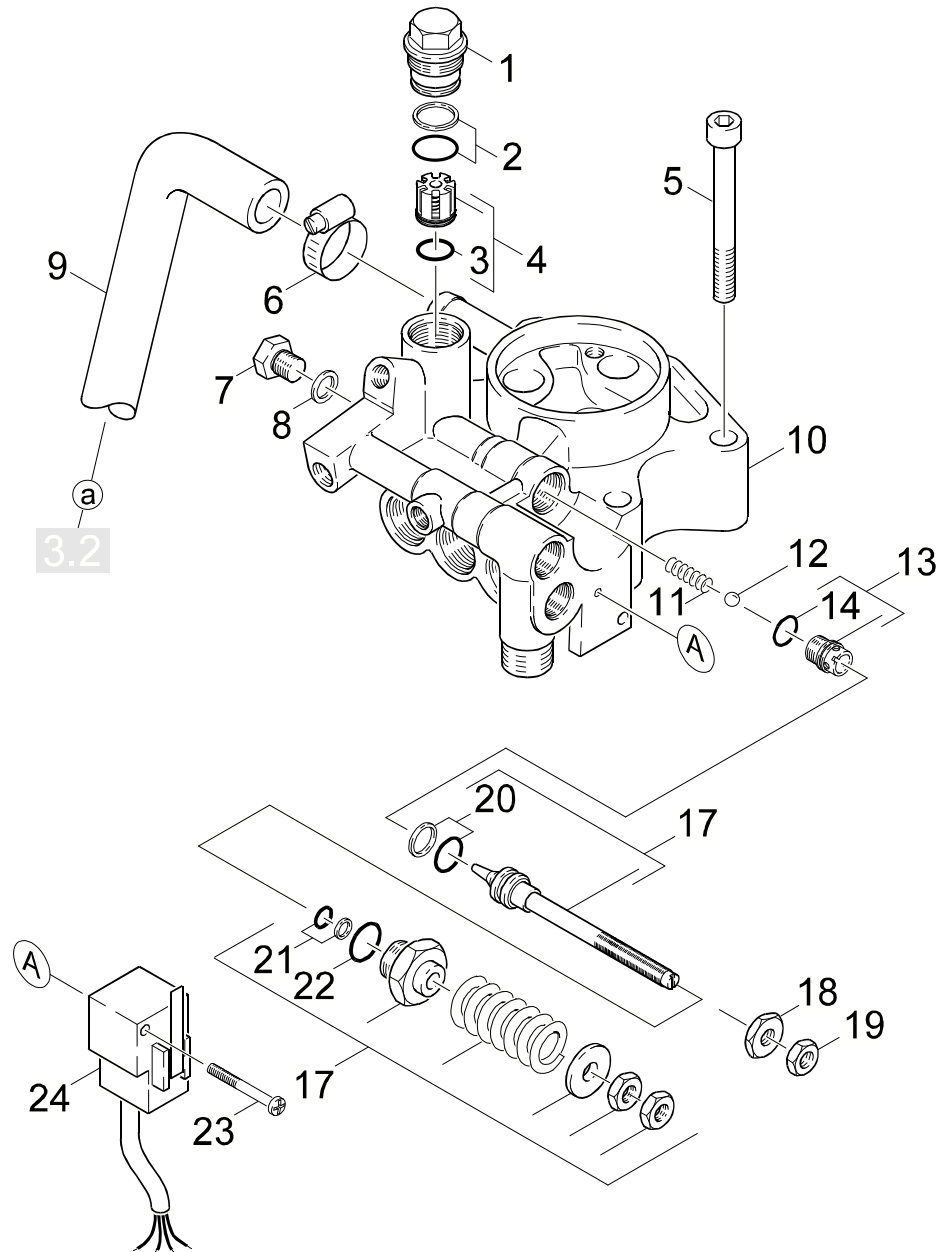
"=> xxxxxx" = bis Werknummer / up to serial No. / jusqu' au No. de fabr. / "xxxxxx =>" = ab Werknummer / from serial No. / a partir du No. de fabr. /

GRUPPE: 2.0 PUMPENSATZ  
GROUP: 2.0 PUMP SET  
GRUPPE: 2.0 JEU (ENSEMBLE) DE POMPE

**A2**

**HD 1090 SX**

**GRUPPE: 2.0 PUMPENSATZ**  
**GROUP: 2.0 PUMP SET**  
**GRUPPE: 2.0 JEU (ENSEMBLE) DE POMPE**



Symbolbeschreibung siehe M16 / symbol description see M16 / désignation de système voir M16 /



GRUPPE: 2.1 ZYLINDERKOPF  
GROUP: 2.1 CYLINDER HEAD  
GROUPE: 2.1 CULASSE

C2

HD 1090 SX

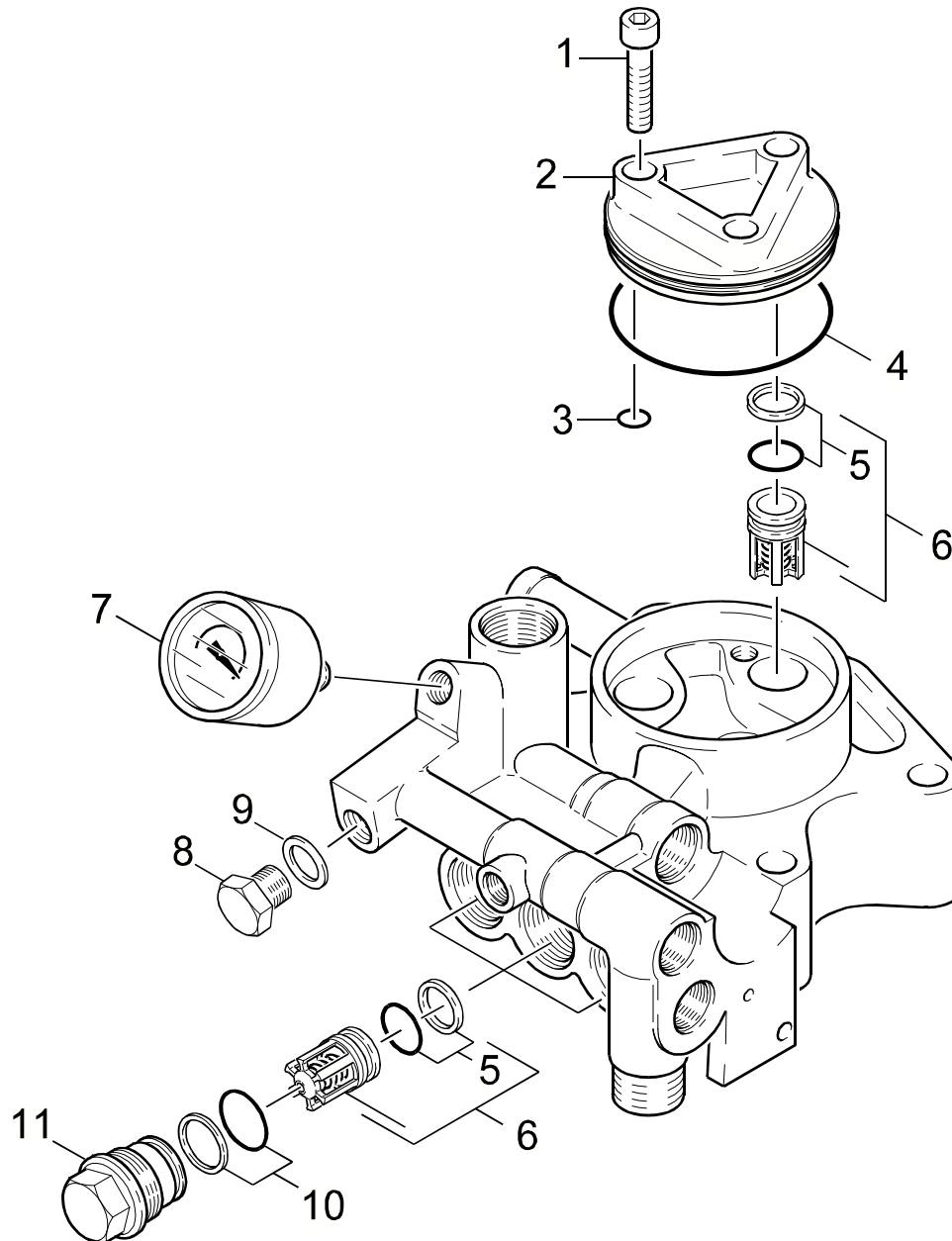
POS. ITM. POS.	BENNENUNG DESCRIPTION DESIGNATION	TEILE-NR. PART-NO. NO.PIECE	STCK QTY. NBR.
1	VENTILSCHRAUBE / VALVE SCREW / VIS POINTEAU (SOUP.)	5.583-125.0	1
2	O-RING KPL./1ST.-R. / GASKET / BAQUE D'ETANCHEITE	6.362-500.0	1
3	O-RING 13,0 X 2,0 / GASKET / BAQUE D'ETANCHEITE	6.362-381.0	1
4	VENTIL KPL. / VALVE / SOUPAPE	4.580-262.0	1
5	ZYL.SCHR. M12X 90 / CHEESE HEAD SCREW / VIS A TETE CYLINDR.	7.306-091.0	4
6	SCHLAUCHSCHELLE / HOSE BAND CLIP / COLLIER DE SERRAGE	6.388-547.0	1
7	VERSCHLUSSCHRAUBE / CLOSING SCREW / VIS DE FERMETURE	5.411-117.0	1
8	DICHTRING 12 X15,5 / JOINT RING / BAGUE D'ETANCHEITE	7.362-004.0	1
9	SCHLAUCHSTUECK / HOSE / BOUT DE TUYAU	5.442-833.0	1
10	ZYLINDERKOPF / CYLINDER HEAD / CULASSE	5.550-187.0	1
11	SCHRAUBENFEDER / HELICAL SPRING / RESSORT CYLINDRIQUE	5.332-110.0	1
12	KUGEL 3/8 G200 / BALL / BOULE	7.401-907.0	1
13	VENTILSITZ / VALVE SEAT / SIEGE DE SOUPAPE	4.581-019.0	1
14	O-RING 11,0 X 1,5 / GASKET / BAQUE D'ETANCHEITE	6.362-858.0	1
17	UEBERSTROEMVENTIL / BYPASS VALVE / SOUPAPE DE TROP-PLEIN	4.591-028.0	1
18	6KT-MUTTER / HEXAGON NUT / ECROU HEXAGONAL	5.311-177.0	1
19	6KT-MUTTER M 8 / HEXAGON NUT / ECROU HEXAGONAL	7.311-004.0	1
20	O-RING 12,42 KOMPL / GASKET / BAQUE D'ETANCHEITE	6.362-575.0	1
21	O-RING KPL./1ST.-R. / GASKET / BAQUE D'ETANCHEITE	6.362-365.0	1
22	O-RING 16,0 X 2,4 / GASKET / BAQUE D'ETANCHEITE	6.362-445.0	1
23	LINSENSCHR. M 5X 40 / OVAL HEAD SCREW / VIS A TETE BOMBEE	7.306-320.0	1
24	2-PHASEN-SCHALTER / SWITCH / INTERRUPTEUR	6.635-323.0	1
100	PUMPENSET HD 1090 / PUMP SET / GROUPE DE POMPES	2.883-447.0	1

"=> xxxxxx" = bis Werknummer / up to serial No. / jusqu' au No. de fabr. / "xxxxxx =>" = ab Werknummer / from serial No. / a partir du No. de fabr. /

GRUPPE: 2.2 VENTILE  
GROUP: 2.2 VALVES  
GRUPPE: 2.2 SOUPAPES

D2

HD 1090 SX



Symbolbeschreibung siehe M16 / symbol description see M16 / désignation de système voir M16 /

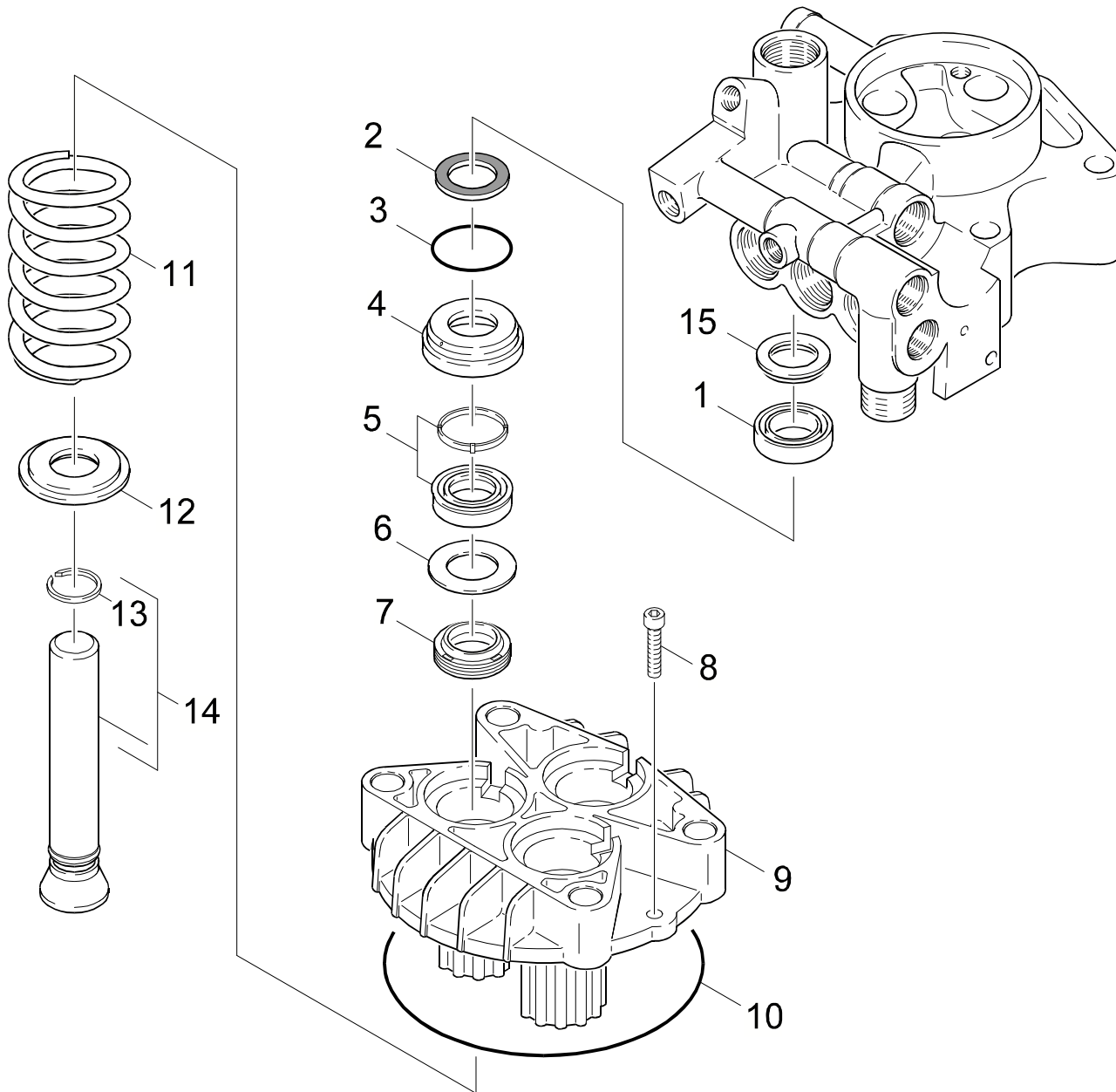
GRUPPE: 2.2 VENTILE  
GROUP: 2.2 VALVES  
GROUPE: 2.2 SOUPAPES

E2

HD 1090 SX

POS. ITM. POS.	BENNENUN DESCRIPTION DESIGNATION	TEILE-NR. PART-NO. NO.PIECE	STCK QTY. NBR.
1	ZYL.SCHR. M10X 35 / CHEESE HEAD SCREW / VIS A TETE CYLINDR.	6.304-014.0	3
2	GEHAEUSEDECKEL / COVER / COUVERCLE	5.063-611.0	1
3	O-RING 11,0 X 1,5 / GASKET / BAQUE D'ETANCHEITE	6.362-858.0	3
4	O-RING 68,0 X 2,0 / GASKET / BAQUE D'ETANCHEITE	6.362-501.0	1
5	O-RING KPL./1ST.-R. / GASKET / BAQUE D'ETANCHEITE	6.362-466.0	6
6	VENTIL KPL. / VALVE / SOUPAPE	4.580-229.0	6
7	MANOMETER 0-300 BAR / PRESSURE GAUGE / MANOMETRE	6.421-214.0	1
8	VERSCHLUSSCHRAUBE / CLOSING SCREW / VIS DE FERMETURE	5.411-117.0	1
9	DICHTRING 12 X15,5 / JOINT RING / BAGUE D'ETANCHEITE	7.362-004.0	1
10	O-RING KPL./1ST.-R. / GASKET / BAQUE D'ETANCHEITE	6.362-500.0	3
11	VENTILSCHRAUBE / VALVE SCREW / VIS POINTEAU (SOUP.)	5.583-125.0	3
100	PUMPENSET HD 1090 / PUMP SET / GROUPE DE POMPES	2.883-447.0	1

"=> xxxxxx" = bis Werknummer / up to serial No. / jusqu' au No. de fabr. / "xxxxxx =>" = ab Werknummer / from serial No. / a partir du No. de fabr. /



Symbolbeschreibung siehe M16 / symbol description see M16 / désignation de système voir M16 /

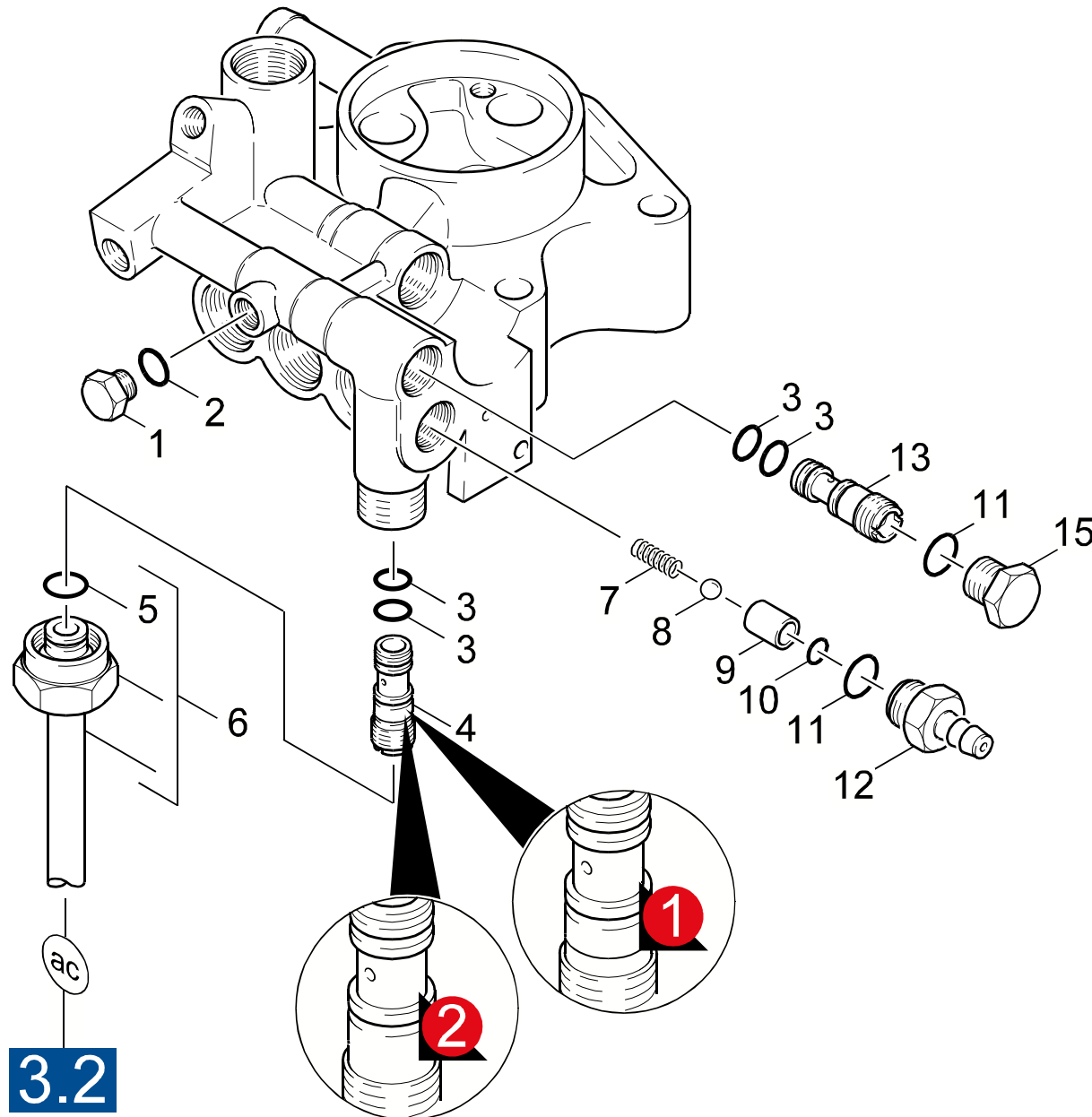
GRUPPE: 2.3 KOLBEN  
GROUP: 2.3 PISTON  
GROUPE: 2.3 PISTON

G2

HD 1090 SX

POS. ITM. POS.	BENNENNUNG DESCRIPTION DESIGNATION	TEILE-NR. PART-NO. NO.PIECE	STCK QTY. NBR.
1	NUTRING 20X30X6 / GROOVED RING / JOINT A LEVRES	6.365-377.0	3
2	BACKRING / BACKING RING / BAGUE D'APPUI	6.365-379.0	3
3	O-RING 34,65X 1,78 / GASKET / BAQUE D'ETANCHEITE	6.362-484.0	3
4	BUCHSE / BUSH / DOUILLE	5.112-451.0	3
5	ND-DICHTUNGSSATZ / SET OF GASKETS / ASSORTIMENT DE JOINTS	6.365-380.0	3
6	SCHEIBE / WASHER / RONDELLE	5.115-537.0	3
7	NUTRING 20X28X6/8 / GROOVED RING / JOINT A LEVRES	6.365-052.0	3
8	ZYL.SCHR. M 6X 25 / CHEESE HEAD SCREW / VIS A TETE CYLINDR.	7.306-023.0	2
9	GEHAEUSE / HOUSING / BOITIER	5.060-460.0	1
10	O-RING 107,62X 2,62 / GASKET / BAQUE D'ETANCHEITE	6.362-796.0	1
11	SCHRAUBENFEDER / HELICAL SPRING / RESSORT CYLINDRIQUE	5.332-281.0	3
12	SCHEIBE / WASHER / RONDELLE	5.115-539.0	3
13	SPRENGRING 20 / RETAINER / CIRCLIP	6.472-331.0	3
14	KOLBEN KPL. / PISTON / PISTON	4.553-141.0	3
15	STUETZRING / SUPPORTRING / BAGUE D'APPUI	6.365-378.0	3
100	PUMPENSET HD 1090 / PUMP SET / GROUPE DE POMPES	2.883-447.0	1

"=> xxxxxx" = bis Werknummer / up to serial No. / jusqu' au No. de fabr. / "xxxxxx =>" = ab Werknummer / from serial No. / a partir du No. de fabr. /



Symbolbeschreibung siehe M16 / symbol description see M16 / désignation de système voir M16 /

GRUPPE: 2.4 CHEMIE  
GROUP: 2.4 CHEMISTRY  
GROUPE: 2.4 CHIMIE

I2

HD 1090 SX

POS. ITM. POS.	BENNENUNG DESCRIPTION DESIGNATION	TEILE-NR. PART-NO. NO.PIECE	STCK QTY. NBR.
1	VERSCHLUSSCHRAUBE / CLOSING SCREW / VIS DE FERMETURE	5.411-070.0	1
2	O-RING 8 X 2 / GASKET / BAQUE D'ETANCHEITE	6.362-101.0	1
3	O-RING 9,0 X 1,5 / GASKET / BAQUE D'ETANCHEITE	6.362-384.0	4
4	DUESENEINSATZ / NOZZLE INSERT / INSERT DE BUSE	5.769-079.0	1
	<b>VERSION 2 NEU</b>		
4	DUESENEINSATZ / NOZZLE INSERT / INSERT DE BUSE	5.769-082.0	1
	<b>VERSION 1 ALT</b>		
5	O-RINGSET / GASKET SET / JUE DE BAGUES D'ENTCHEITE	2.880-154.0	1
6	HD-SCHLAUCH DN 8 / HIGH PRESSURE HOSE / TUYAU FLEXIBLE HAUTE PRE.	6.390-184.0	1
7	SCHRAUBENFEDER / HELICAL SPRING / RESSORT CYLINDRIQUE	5.332-258.0	1
8	KUGEL 7,0 G300 / BALL / BOULE	7.401-908.0	1
9	ROHR / PIPE / TUYAU	5.026-764.0	1
10	O-RING 6,0 X 2,0 / GASKET / BAQUE D'ETANCHEITE	6.362-383.0	1
11	O-RING 14,0 X 1,5 / GASKET / BAQUE D'ETANCHEITE	6.362-533.0	2
12	SCHRAUBSTUTZEN / SCREW UNION / RACCORD FILETE	5.402-370.0	1
13	DUESENEINSATZ / NOZZLE INSERT / INSERT DE BUSE	5.769-122.0	1
15	VERSCHLUSSCHRAUBE / CLOSING SCREW / VIS DE FERMETURE	5.411-107.0	1
100	PUMPENSET HD 1090 / PUMP SET / GROUPE DE POMPES	2.883-447.0	1

"=> xxxxxx" = bis Werknummer / up to serial No. / jusqu' au No. de fabr. / "xxxxxx =>" = ab Werknummer / from serial No. / a partir du No. de fabr. /

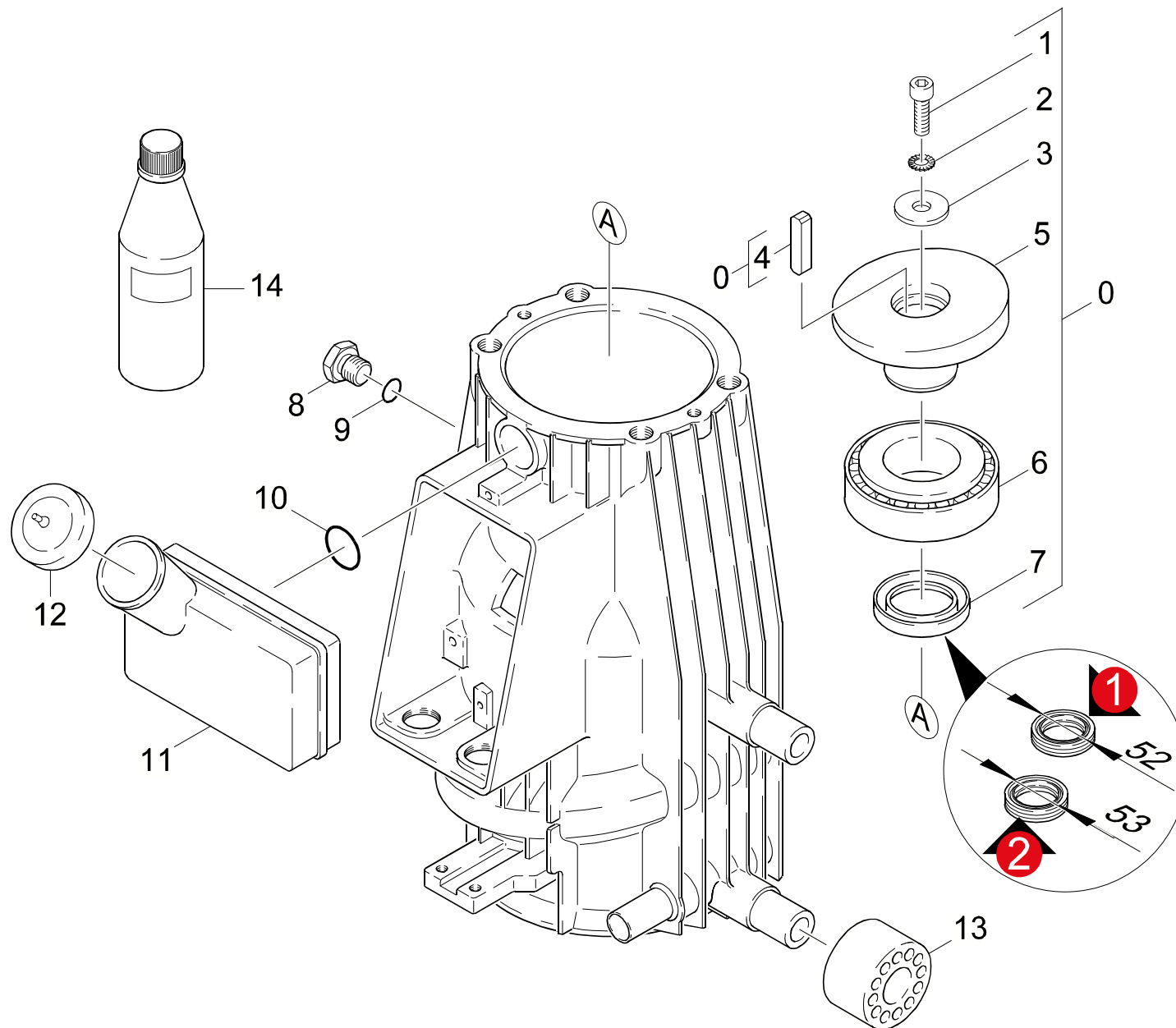
GRUPPE: 3.0 MOTOR  
GROUP: 3.0 MOTOR  
GRUPPE: 3.0 MOTEUR

**A3**

**HD 1090 SX**

**GRUPPE: 3.0 MOTOR**  
**GROUP: 3.0 MOTOR**  
**GRUPPE: 3.0 MOTEUR**





Symbolbeschreibung siehe M16 / symbol description see M16 / désignation de système voir M16 /

GRUPPE: 3.0 ANTRIEB  
GROUP: 3.0 ACTUATION  
GROUPE: 3.0 ENTRAINEMENT

C3

HD 1090 SX

POS. ITM. POS.	BENNENUNG DESCRIPTION DESIGNATION	TEILE-NR. PART-NO. NO.PIECE	STCK QTY. NBR.
0	MOTOR KPL. / MOTOR / MOTEUR	4.623-316.0	1
1	ZYL.SCHR. M 8X 20 / CHEESE HEAD SCREW / VIS A TETE CYLINDR.	7.306-041.0	1
2	ZAHNSCHEIBE A 8,4 / LOCK WASHER / ROUE PLATE	7.312-159.0	1
3	SCHEIBE / WASHER / RONDELLE	5.115-565.0	1
4	PASSFEDER 8X 7X 25 / SPRING / RESSORT D'ADJUSTAGE	7.318-035.0	1
5	TAUMELSCHEIBE / SWASH PLATE / DISQUE EN NUTATION	5.120-245.0	1
6	KEGELROLLENLAGER 41 / TAPER ROLLER BEARIN / PALIER A ROULEAUX	6.401-225.0	1
7	RWDR A35X53X7 / ROTARY SHAFT SEAL / JOINT (ARBRE)	7.367-005.0	1
7	RWDR A35 X 52 X 7 / ROTARY SHAFT SEAL / JOINT (ARBRE)	7.367-009.0	1
8	VERSCHLUSSCHRAUBE / CLOSING SCREW / VIS DE FERMETURE	5.411-100.0	1
9	O-RING 11,0 X 2,0 / GASKET / BAQUE D'ETANCHEITE	6.363-273.0	1
10	O-RING 19,3 X 2,4 / GASKET / BAQUE D'ETANCHEITE	6.362-161.0	1
11	BEHAELTER - OEL / TANK / BAC	5.070-457.0	1
12	DECKEL / COVER / COUVERCLE	5.063-195.0	1
13	AUFLAGER / SUPPORT / SUPPORT	5.057-055.0	4
14	GETRIEBEOEL 1L / GEAR LUBRICANT OIL / HUILE A ENGRENAGES	6.288-016.0	1

"=> xxxxxx" = bis Werknummer / up to serial No. / jusqu' au No. de fabr. / "xxxxxx =>" = ab Werknummer / from serial No. / a partir du No. de fabr. /



GRUPPE: 3.1 LUEFTUNG  
GROUP: 3.1 VENTILATION  
GRUPPE: 3.1 VENTILATION

E3

HD 1090 SX

POS. ITM. POS.	BENNENUNG DESCRIPTION DESIGNATION	TEILE-NR. PART-NO. NO.PIECE	STCK QTY. NBR.
0	MOTOR KPL. / MOTOR / MOTEUR	4.623-316.0	1
2	DECKEL / COVER / COUVERCLE	5.063-518.0	1
3	SCHRAUBE M 6X 20 / SCREW / VIS	7.303-048.0	4
5	TOLERANZRING 62X10 / TOLERANCE RING / BAGUE	6.343-010.0	1
6	PASSFEDER 6X 6X 20 / SPRING / RESSORT D'ADJUSTAGE	7.318-029.0	1
7	KUGELLAGER 6305-2Z / BALL BEARING / ROULEMENT A BILLE	6.401-253.0	1
8	LUEFTERRAD / BLOWER WHEEL / ROUE DE VENTILATEUR	6.611-605.0	1
9	SCHEIBE / WASHER / RONDELLE	5.115-565.0	1
10	ZYL.SCHR. M 8X 20 / CHEESE HEAD SCREW / VIS A TETE CYLINDR.	7.306-041.0	1
11	LUFTFUEHRUNG / AIR CIRCULATION / ALIMENTATION (AIR)	5.692-026.0	1
12	MUTTER / NUT / ECROU	5.310-076.0	1
13	SCHLAUCHNIPPEL / HOSE STEM / RACCORD DE FLEXIBLE	5.443-291.0	1
14	O-RING 19,3 X 2,4 / GASKET / BAQUE D'ETANCHEITE	6.362-161.0	1
15	SIEB / STRAINER / CREPINE	6.414-141.0	1
16	6KT-SCHR. M 6X 25 / HEXAGONAL HEAD SCREW / VIS HEXAGONAL	7.304-386.0	2
17	SCHEIBE 6 / WASHER / RONDELLE	7.312-003.0	2
18	KNOTENSTUECK / MANIFOLD / FERRURE NODALE	5.427-180.0	1
19	O-RING 17,5 X 3,5 / GASKET / BAQUE D'ETANCHEITE	6.362-579.0	1
20	HUELSE / SLEEVE / DOUILLE	5.110-341.0	1
21	SCHLAUCHSCHELLE / HOSE BAND CLIP / COLLIER DE SERRAGE	6.388-548.0	1

"=> xxxxxx" = bis Werknummer / up to serial No. / jusqu' au No. de fabr. / "xxxxxx =>" = ab Werknummer / from serial No. / a partir du No. de fabr. /

GRUPPE: 4.0 ZUBEHOER  
GROUP: 4.0 ACCESSORIES  
GRUPPE: 4.0 ACCESSOIRES

**A4**

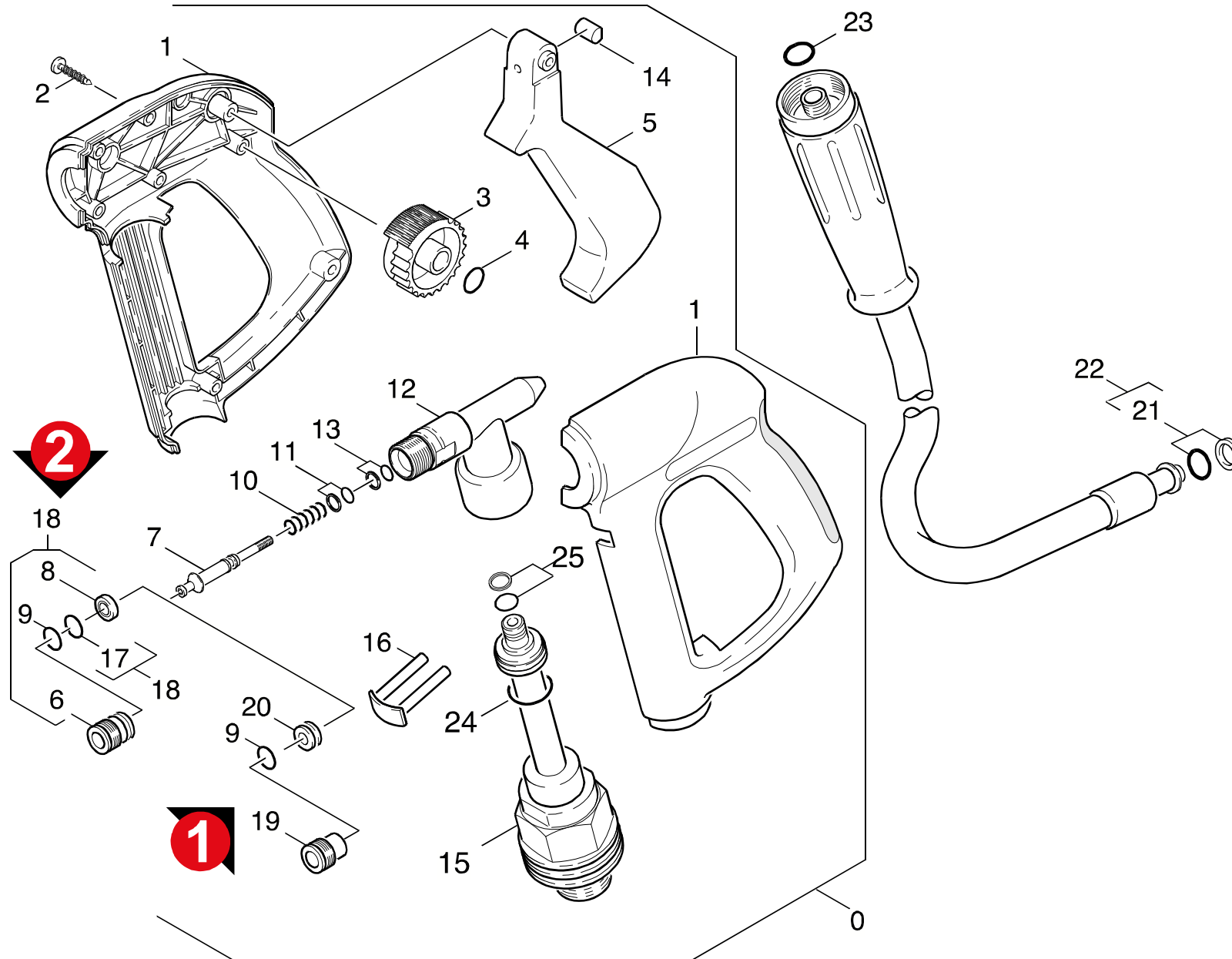
**HD 1090 SX**

**GRUPPE: 4.0 ZUBEHOER**  
**GROUP: 4.0 ACCESSORIES**  
**GRUPPE: 4.0 ACCESSOIRES**

GRUPPE: 4.1 HANDSPRITZPISTOLE  
GROUP: 4.1 TRIGGER GUN  
GRUPPE: 4.1 POIGNEE PISTOLET

B4

HD 1090 SX



Symbolbeschreibung siehe M16 / symbol description see M16 / désignation de système voir M16 /

GRUPPE: 4.1 HANDSPRITZPISTOLE  
GROUP: 4.1 TRIGGER GUN  
GROUPE: 4.1 POIGNEE PISTOLET

C4

HD 1090 SX

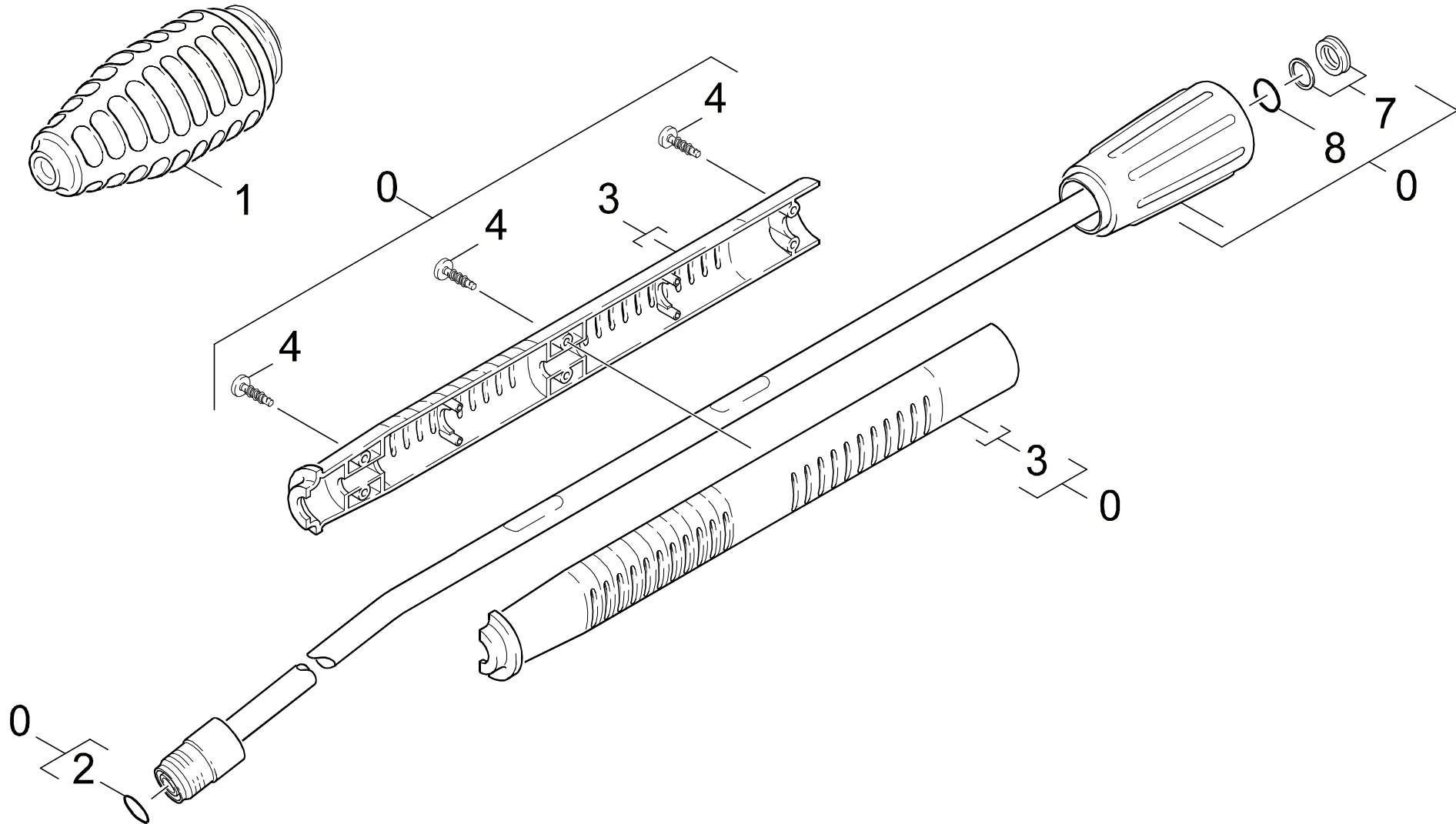
POS. ITM. POS.	BENNENUNG DESCRIPTION DESIGNATION	TEILE-NR. PART-NO. NO.PIECE	STCK QTY. NBR.
0	HANDSPRITZPISTOLE / TRIGGER GUN / POIGNEE PISTOLET	4.775-283.0	1
1	GRIFFPAAR / HANDLES / BRANCHES POIGNEE	5.321-534.0	1
2	LINSENSCHR. 4,2X22 / OVAL HEAD SCREW / VIS A TETE BOMBEE	6.303-024.0	8
3	HANDRAD / HAND WHEEL / VOLANT	5.322-012.0	1
4	O-RING 7,65X 1,78 / GASKET / BAQUE D'ETANCHEITE	6.362-642.0	1
5	HEBEL / LEVER / LEVIER	5.481-178.0	1
6	HOHLSCHRAUBE / HOLLOW SCREW / BOULON CREUX	5.404-079.0	1
	<b>VERSION 2</b>		
7	KOLBEN / PISTON / PISTON	5.553-348.0	1
8	VENTILSITZ / VALVE SEAT / SIEGE DE SOUPAPE	5.581-243.0	1
	<b>VERSION 2</b>		
9	O-RING 7,65X 1,78 / GASKET / BAQUE D'ETANCHEITE	6.362-182.0	1
10	SCHRAUBENFEDER / HELICAL SPRING / RESSORT CYLINDRIQUE	5.332-413.0	1
11	O-RING KOMPL. / GASKET / BAQUE D'ETANCHEITE	6.362-964.0	1
12	KNOTENSTUECK / MANIFOLD / FERRURE NODALE	5.427-214.0	1
13	O-RING KPL.2,6X1,9 / GASKET / BAQUE D'ETANCHEITE	6.362-992.0	1
14	BOLZEN / BOLT / BOULON	5.316-400.0	1
15	ADAPTER ROHRLEITUNG / ADAPTER / ADAPTATEUR	4.421-275.0	1
16	HAKEN / HOOK / PATERE	4.037-013.0	1
17	O-RING 8,0 X 1,0 / GASKET / BAQUE D'ETANCHEITE	6.362-503.0	1
	<b>VERSION 2</b>		
18	ET-SET / SPARE PARTS SET / JEU DE PIECES DECHANGE	2.883-888.0	1
	<b>VERSION 2</b>		
19	HOHLSCHRAUBE / HOLLOW SCREW / BOULON CREUX	5.404-069.0	1
	<b>VERSION 1</b>		
20	VENTILSITZ / VALVE SEAT / SIEGE DE SOUPAPE	5.581-212.0	1
	<b>VERSION 1</b>		
21	O-RING KPL./1ST.-R. / GASKET / BAQUE D'ETANCHEITE	6.363-116.0	1
22	HD-SCHLAUCH DN 8 / HIGH PRESSURE HOSE / TUYAU FLEXIBLE HAUTE PRE.	6.390-171.0	1
23	ERSATZTEILSET / SPARE PARTS KIT / KIT DE PIECES	2.880-296.0	1
24	O-RING 4,7 X 1,9 / GASKET / BAQUE D'ETANCHEITE	6.362-486.0	1
25	O-RING KPL./1ST.-R. / GASKET / BAQUE D'ETANCHEITE	6.362-365.0	1

"=> xxxxxx" = bis Werknummer / up to serial No. / jusqu' au No. de fabr. / "xxxxxx =>" = ab Werknummer / from serial No. / a partir du No. de fabr. /

GRUPPE: 4.2 STRAHLROHR / VERSION 1 /  
GROUP: 4.2 JET PIPE / VERSION 1 /  
GRUPPE: 4.2 LANCE D'INCENDIE / VERSION 1 /

D4

HD 1090 SX



Symbolbeschreibung siehe M16 / symbol description see M16 / désignation de système voir M16 /



GRUPPE: 4.2 STRAHLROHR / VERSION 1 /  
GROUP: 4.2 JET PIPE / VERSION 1 /  
GRUPPE: 4.2 LANCE D'INCENDIE / VERSION 1 /

E4

HD 1090 SX

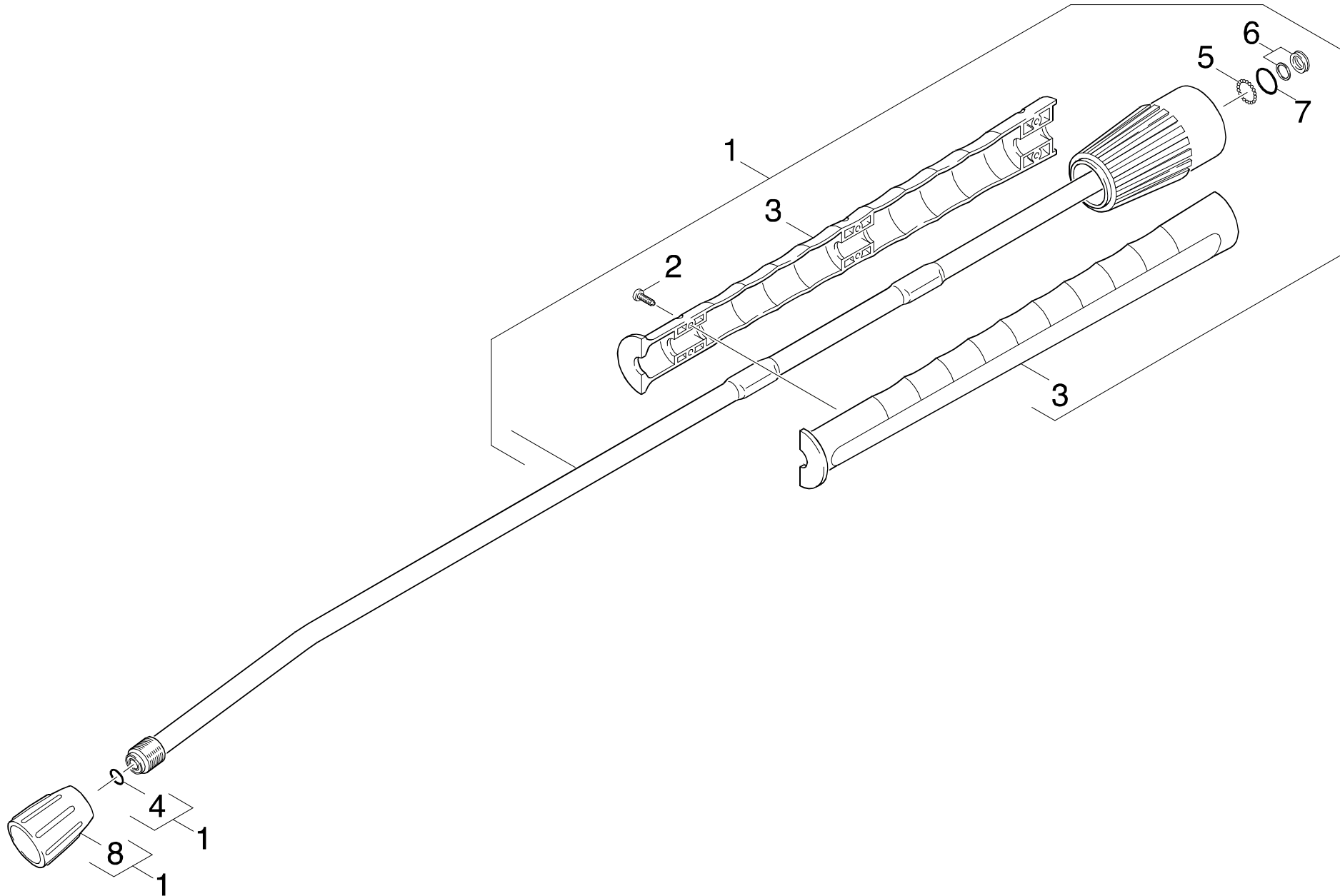
POS. ITM. POS.	BENNENUNG DESCRIPTION DESIGNATION	TEILE-NR. PART-NO. NO.PIECE	STCK QTY. NBR.
0	STRAHLROHR KPL. / JET PIPE / LANCE D'INCENDIE	4.760-550.0	1
1	ROTORDUESE 05 / ROTARY NOZZLE / BUSE JET ROTATIF	4.763-253.0	1
	<b>/ 1.951-931.0</b>		
2	ERSATZTEILSET / SPARE PARTS KIT / KIT DE PIECES	2.880-296.0	1
3	GRIFFPAAAR / HANDLES / BRANCHES POIGNEE	5.321-691.0	1
4	LINSENSCHR. 4,2X16 / OVAL HEAD SCREW / VIS A TETE BOMBEE	6.303-025.0	6
7	NUTRING KPL.1ST.R. / GROOVED RING / JOINT A LEVRES	6.362-532.0	1
8	O-RING 17,0 X 1,5 / GASKET / BAQUE D'ETANCHEITE	6.362-524.0	1

"=> xxxxxx" = bis Werknummer / up to serial No. / jusqu' au No. de fabr. / "xxxxxx =>" = ab Werknummer / from serial No. / a partir du No. de fabr. /

GRUPPE: 4.3 STRAHLROHR / VERSION 2 /  
GROUP: 4.3 JET PIPE / VERSION 2 /  
GRUPPE: 4.3 LANCE D'INCENDIE / VERSION 2 /

F4

HD 1090 SX



Symbolbeschreibung siehe M16 / symbol description see M16 / désignation de système voir M16 /

GRUPPE: 4.3 STRAHLROHR / VERSION 2 /  
GROUP: 4.3 JET PIPE / VERSION 2 /  
GROUPE: 4.3 LANCE D'INCENDIE / VERSION 2 /

G4

HD 1090 SX

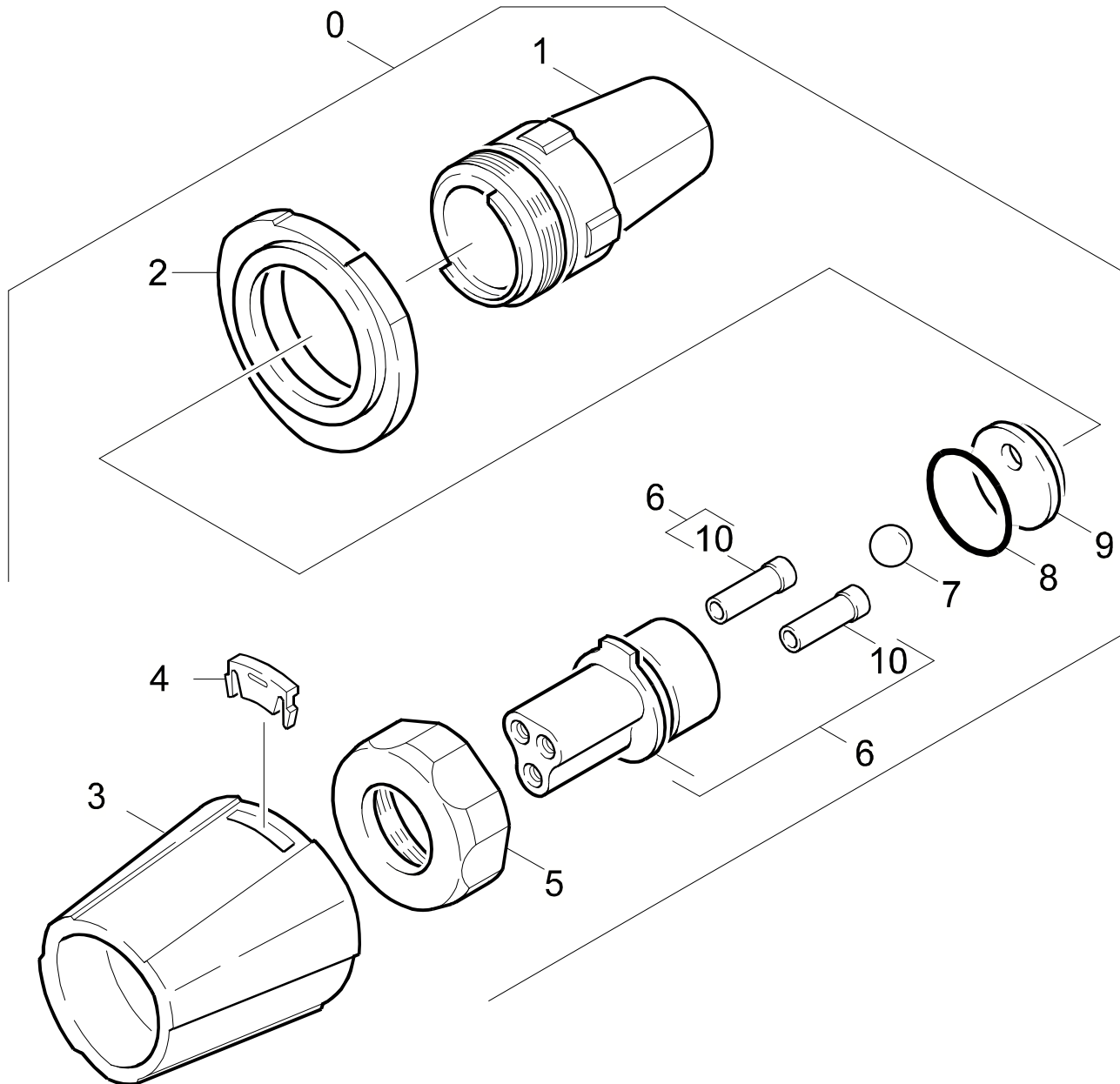
POS.	BENNENUNG	TEILE-NR.	STCK
ITM.	DESCRIPTION	PART-NO.	QTY.
POS.	DESIGNATION	NO.PIECE	NBR.
1	STRAHLROHR KPL. / JET PIPE / LANCE D'INCENDIE	4.760-550.0	1
2	SCHRAUBE 4 X 16 / SCREW / VIS	7.303-129.0	6
3	GRIFFPaar / HANDLES / BRANCHES POIGNEE	5.321-691.0	1
4	ERSATZTEILSET / SPARE PARTS KIT / KIT DE PIECES	2.880-296.0	1
5	KUGEL 2,5 G40 / BALL / BOULE	7.401-915.0	20
6	NUTRING KPL.1ST.R. / GROOVED RING / JOINT A LEVRES	6.362-532.0	1
7	O-RING 17,0 X 1,5 / GASKET / BAQUE D'ETANCHEITE	6.362-524.0	1
8	VERSCHRAUBUNGSTEIL / SCREW UNION PART / PIECE (RACCORD A VIS)	5.401-210.0	1

"=> xxxxxx" = bis Werknummer / up to serial No. / jusqu' au No. de fabr. / "xxxxxx =>" = ab Werknummer / from serial No. / a partir du No. de fabr. /

GRUPPE: 4.4 DUESE  
GROUP: 4.4 NOZZLE  
GRUPPE: 4.4 BUSE

H4

HD 1090 SX



Symbolbeschreibung siehe M16 / symbol description see M16 / désignation de système voir M16 /

GRUPPE: 4.4 DUESE  
GROUP: 4.4 NOZZLE  
GROUPE: 4.4 BUSE

I4

HD 1090 SX

POS. ITM. POS.	BENNENUNG DESCRIPTION DESIGNATION	TEILE-NR. PART-NO. NO.PIECE	STCK QTY. NBR.
0	DREIFACHDUESE 047 / TRIPLE JET NOZZLE / GICLEUR TRIPLE	4.767-003.0	1
0	DREIFACHDUESE 06 / TRIPLE JET NOZZLE / GICLEUR TRIPLE	4.767-006.0	1
1	GEHAEUSE KPL. / HOUSING / BOITIER	4.060-395.0	1
2	SCHUTZTEIL / PROTECTION PART / PARTIE PROTECTEUR	5.394-401.0	1
3	SCHUTZTEIL / PROTECTION PART / PARTIE PROTECTEUR	5.394-402.0	1
4	FORMTEIL / MOULDED PART / PREFORME	5.031-709.0	1
5	UEBERWURFMUTTER / UNION NUT / ECROU RACCORD	5.311-192.0	1
6	DUESENTRAEGER 047 / NOZZLE HOLDER / PORTE BUSE	4.764-140.0	1
7	KUGEL 10,0 G100 / BALL / BOULE	7.401-917.0	1
8	O-RING 22 X 2 / GASKET / BAQUE D'ETANCHEITE	6.362-831.0	1
9	FORMTEIL / MOULDED PART / PREFORME	5.031-370.0	1
10	GLEICHRICHTER / RECTIFIER / REDRESSEUR DE COURANT	5.031-597.0	2

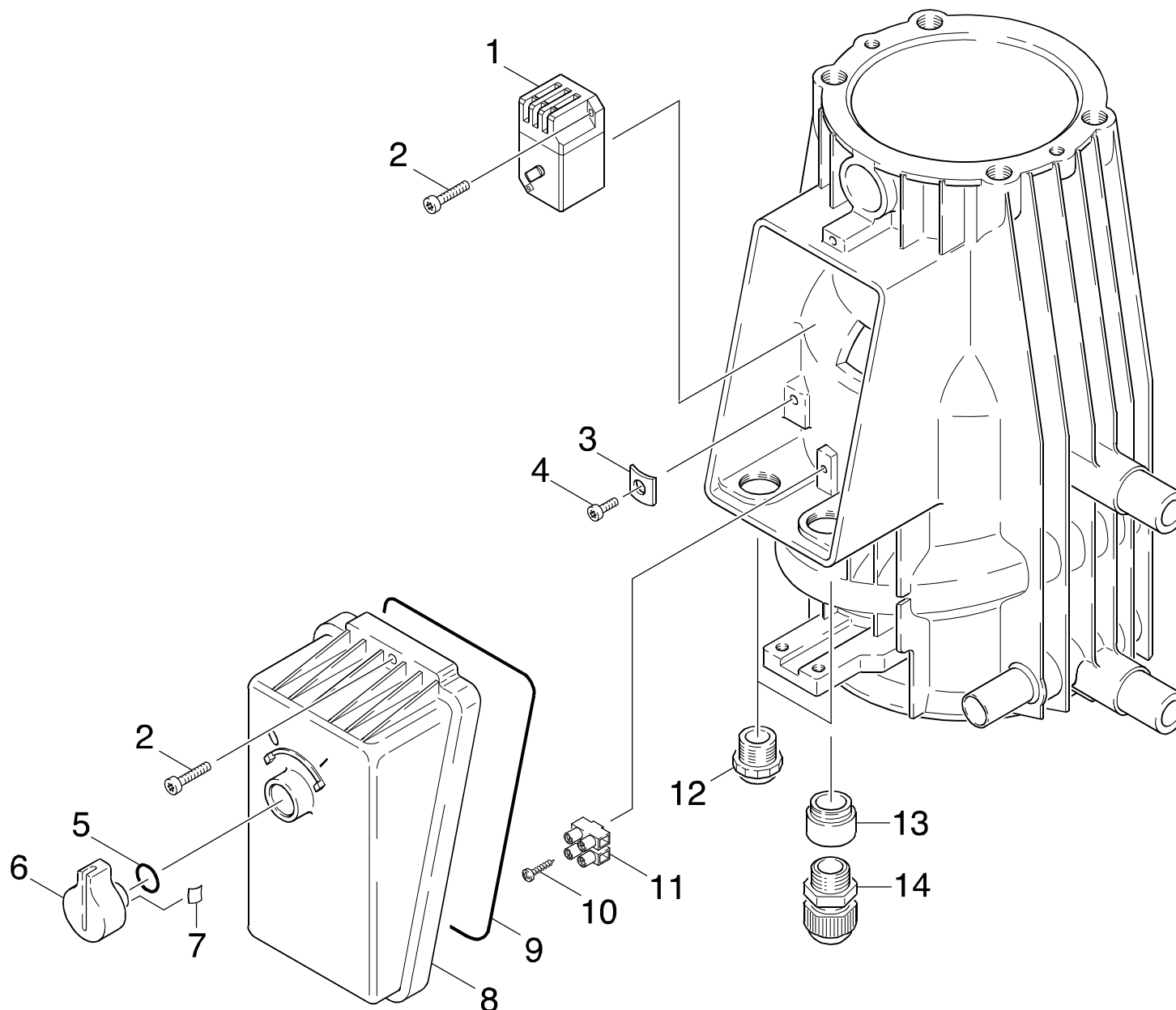
"=> xxxxxx" = bis Werknummer / up to serial No. / jusqu' au No. de fabr. / "xxxxxx =>" = ab Werknummer / from serial No. / a partir du No. de fabr. /

GRUPPE: 5.0 E-GERAETESCHRANK  
GROUP: 5.0 ELECTRIC CONTROL BOX  
GRUPPE: 5.0 COFFRET ELECTRIQUE

**A5**

**HD 1090 SX**

**GRUPPE: 5.0 E-GERAETESCHRANK**  
**GROUP: 5.0 ELECTRIC CONTROL BOX**  
**GRUPPE: 5.0 COFFRET ELECTRIQUE**



Symbolbeschreibung siehe M16 / symbol description see M16 / désignation de système voir M16 /

GRUPPE: 5.0 E-GERAETESCHRANK  
 GROUP: 5.0 ELECTRIC CONTROL BOX  
 GROUPE: 5.0 COFFRET ELECTRIQUE

**C5**

**HD 1090 SX**

POS. ITM. POS.	BENNENUNG DESCRIPTION DESIGNATION	TEILE-NR. PART-NO. NO.PIECE	STCK QTY. NBR.
1	MOTORSCHUTZSCHALTER / MOTOR PROT. SWITCH / RELAIS (MOTEUR) <b>/ 1.951-921.0 / -923.0</b>	6.631-190.0	1
1	MOTORSCHUTZSCHALTER / MOTOR PROT. SWITCH / RELAIS (MOTEUR) <b>/ 1.951-922.0</b>	6.631-428.0	1
2	LINSENSCHR. M 4X 22 / OVAL HEAD SCREW / VIS A TETE BOMBEE	7.309-016.0	3
3	KLEMMSCHEIBE 5 / CLAMPIUNG DISC / DISQUE DE SERRAGE	6.641-708.0	1
4	ERDUNGSSCHR. M5X 16 / SCREW / VIS MIS A TERRE	6.303-130.0	1
5	O-RING 10,0 X 2,4 / GASKET / BAQUE D'ETANCHEITE	6.472-112.0	1
6	GRIFF / HANDLE / POIGNEE	5.321-556.0	1
7	SICHERUNGSFEDER / RETAINING SPRING / RESSORT D'ARRET	6.313-003.0	1
8	HAUBE / COVER / CAPOT	5.066-615.0	1
9	MOOSGUMMISCHNUR 4 / CELLULAR RUBBER CORD / CORDON EN CAOUTCHOUC CELL <b>ALS METERWARE BESTELLEN/TO ORDER AS CUT GOODS/COMMANDE COMME MARCHANDISE AU METRE</b>	6.273-070.0	1
10	SCHNEIDSCHR. M3X 20 / SELF-TAPPING SCREW / VIS AUTOTARAUDEUSE	7.303-501.0	1
11	KLEMME 16 QMM / BINDER / BORNE	6.643-151.0	2
12	KABELVERSCHR. / CABLE CONNECTOR / RACCORD DE CABLES <b>/ 1.951-923.0</b>	6.641-343.0	1
12	WUERGENIPPEL PG13,5 / NIPPLE / NIPPLE <b>/ 1.951-921.0 / -922.0</b>	6.647-408.0	2
13	ERWEITERUNGSSTUECK / ADAPTOR / PIECE DE EXTENSION <b>/ 1.951-922.0</b>	6.641-394.0	1
14	KABELVERSCHR. PG16 / CABLE CONNECTOR / RACCORD DE CABLES <b>/ 1.951-922.0</b>	6.641-356.0	1

"=> xxxxxx" = bis Werknummer / up to serial No. / jusqu' au No. de fabr. / "xxxxxx =>" = ab Werknummer / from serial No. / a partir du No. de fabr. /



## Bestellhinweis

Bei Ihrer Bestellung sind unbedingt anzugeben :

1.	2.	3.	4.	5.
Gerätetyp Machine model Type d'appareils	Herstell-Nr. Serial-No. No. de série	Benennung Description Désignation	Teile-Nr. Part No. Référence	Stückzahl Piece No. Quantité



**siehe Typenschild  
see name-plate  
voir plaque signalétique**



**siehe Ersatzteilliste  
see spare parts list  
voir liste des pièces de rechange**

- Die Ersatzteile, welche als Meterware geliefert werden, sind auf Einbaulänge selbst zu kürzen. Ebenso sind die Stückzahlen in den jeweiligen Gruppen als Mindestbestellmengen = 1m angegeben und können je nach Bedarf auf weitere volle Meterzahlen erhöht und bestellt werden.
- Spare Parts which are delivered as cut goods have to be shortened to installation length. The quotation of quantity in each group refers to the minimum order quantity = 1m and may be ordered and raised to further full metre-values according to demand
- Les pièces de rechange qui sont livrées comme marchandise au mètre sont à raccourcir selon la longueur d'installation. Les indications de quantité dans chaque group se réfèrent à des valeurs de mètre de plus.
- Diese Ersatzteilliste erscheint in gedruckter Form sowie als Mikrofiche. Bei Querverweisen bezieht sich die Angabe "Seitenzahl" auf die gedruckte Ersatzteilliste und die Angabe "Bildtafel" auf die Mikrofilmausgabe.
- This spare parts list is published both in printed form and as a microfiche. In the cross-references, "page number" refers to the printed spare parts list and "display table" to the microfilm edition.
- Cette liste de pièces de rechange est aussi bien imprimée que publiée sous forme de microfiche. Les indications transversales renvoient au "numéro de page" sur la liste imprimée des pièces de rechange et à la "planche" sur la microfiche.

Bitte beachten Sie, daß der Teileumfang dieser Ersatzteilliste nicht unbedingt dem Lieferumfang Ihres Geräte entspricht.

For your information: It could be that certain parts quoted in this spare parts list were not included with the machine delivery.

Pour votre information: il se peut que certaines pièces détachées mentionnées sur la liste ne vous aient pas été livrées avec l'appareil.

Die in dieser Ersatzteilliste nicht aufgeführten Einzelteile, bestellen Sie bitte direkt beim Vertragskundendienst des jeweiligen Herstellers.

Please order the individual parts not included in this assembly directly with the contract aftersales service of the manufacturer in question.

Veillez s'il vous plaît, commander les pièces détachées qui ne sont indiquées dans notre liste des pièces détachées, directement auprès du service après-vente des fabricants en question.

Bei Bestellung von lackierten Teilen, welche in der Ersatzteilliste nicht in verschiedenen Farben ausgewiesen sind, ist zusätzlich die Farbnummer oder Farbe mit anzugeben. Diese finden Sie auf dem Typenschild oder Farbschild Ihres Gerätes.

Upon ordering of varnished parts which are not mentioned in the spare parts list as parts with different colors, kindly additionally mention the number of the color. It can be seen on the type plate of the color plate of your machine.

Commandant des parts vernissés qui ne sont pas mentionnés comme parts avec une couleur différente dans la liste des pièces détachées, veuillez mentionner de plus le numéro de la couleur. Il se trouve sur la plaque signalétique ou la plaque de couleur de votre machine.

Auflistungen von Einzelteilen bei Ersatzteil - u. Pumpensets sind in der Reihe "16" einzusehen, bzw. direkt unter dem entsprechenden Set aufgelistet.

Listings of single parts upon spare parts kits and pump kits can be seen in row "16" or directly listed below the corresponding kit.  
Des établissements des pièces détachées en ce qui concerne les kits des pièces de rechange et les kits de pompes, peuvent être vus à la ligne "16" ou ils sont répertoriés directement au-dessous du jeu correspondant.

Technische Änderungen im Rahmen der Weiterentwicklung sowie das Recht der ausschließlichen Auswertung unseres geistigen Eigentums behalten wir uns vor. Vervielfältigung und Nachdruck nur mit Genehmigung und Urheberhinweis möglich.

We reserve the right to make technical changes in the course of development work and the right to make exclusive use of our intellectual property. This spare parts list may be duplicated or reprinted only with our approval and with acknowledgement of our copyright.

Nous nous réservons le droit de toutes modifications techniques dans le cadre du perfectionnement des mises au point ainsi que le droit de la mise en valeur exclusive de notre propriété intellectuelle. Polycopie et reproduction exclusivement après accord et avec mention de l'auteur.


# INDEX

## M16

## HD 1090 SX

GRUPPE:	1.0 EINZELTEILE	A1-E1
GROUP:	1.0 PIECE PARTS	
GRUPPE:	1.0 PIECES CONSTITUANTES	
GRUPPE:	2.0 PUMPENSATZ	A2-I2
GROUP:	2.0 PUMP SET	
GRUPPE:	2.0 JEU (ENSEMBLE) DE POMPE	
GRUPPE:	3.0 MOTOR	A3-E3
GROUP:	3.0 MOTOR	
GRUPPE:	3.0 MOTEUR	
GRUPPE:	4.0 ZUBEHOER	A4-I4
GROUP:	4.0 ACCESSORIES	
GRUPPE:	4.0 ACCESSOIRES	
GRUPPE:	5.0 E-GERAETESCHRANK	A5-C5
GROUP:	5.0 ELECTRIC CONTROL BOX	
GRUPPE:	5.0 COFFRET ELECTRIQUE	

 BEISPIEL: VERSION 1  
EXAMPLE: VERSION 1  
EXEMPLE: VERSION 1

 BEISPIEL: SIEHE IN GRUPPE 3  
EXAMPLE: SEE IN GROUP 3  
EXEMPLE: VOIR EN GROUPE 3



WICHTIGER HINWEIS  
IMPORTANT REMARK  
REMARCAQUAGE IMPORTANT

BESTELLHINWEIS SIEHE M15  
EXAMPLE ORDER SEE M15  
EXEMPLE DE COMMANDE VOIR M15

VARIANTENÜBERSICHT SIEHE L16  
VARIANTS SURVEY SEE L16  
VUE D'ENSEMBLE DE VARIANTS VOIR L16