



Spare parts list
(18524010) HDS 555 CI *EU
(18524020) HDS 555 CI * CH
(18524030) HDS 555 CI * GB
(18524050) HDS 555 CI * AUS
(18524060) HDS 555 CI * VEX

Ersatzteile unter www.gluesing.net

2005 11

59555660

www.kaercher.com

EN

DE

HINWEISE

Weitere Sprachen:

Diese Ersatzteilliste ist in weiteren Sprachen erhältlich. Sie erhalten diese unter www.kaercher.com im Bereich Service. Die Schreibweise der Teilenummer, z.B. 7.5456380, entspricht der Teilenummer 7.545-638.0.

Mengenangaben:

Die Mengenangaben in der Ersatzteilliste entsprechen den in der Baugruppe verbauten Stückzahlen der Bauteile.

Meterware:

Ersatzteile welche als Meterware geliefert werden sind auf Einbaulänge selbst zu kürzen. Die Stückzahlen sind als Mindestbestellmenge = 1m angegeben und müssen je nach Bedarf auf weitere volle Meterzahlen erhöht werden.

Versionen/ Werknummern:

Sind Versionen oder Werknummern in der Ersatzteilliste angegeben, ist anhand dieser vor Bestellung zu prüfen, welches Bauteil für ihr Gerät verwendet werden muss.

Lackierte Teile:

Bei Bestellungen von lackierten Teilen welche in der Ersatzteilliste nicht in verschiedenen Farben ausgewiesen sind, ist zusätzlich die Farbnummer oder Farbe mit anzugeben.

Technische Änderungen:

Technische Änderungen sowie das Recht der ausschließlichen Auswertung unseres geistigen Eigentums behalten wir uns vor.

EN

INSTRUCTIONS

Other languages:

This list of spare parts is also available in other languages. You can get this list from www.kaercher.com in the Service division. The designation of the part number e.g. 7.5456380 is equal to 7.545-638.0.

Quantity details:

The quantity details in the spare parts list correspond to the number of pieces of the component installed in the assembly group.

Piece goods:

Spare parts that are sold as piece goods are to be cut to the desired length. The quantities have been indicated as minimum order quantity = 1m and must be rounded off to the full meter figure depending on your requirements.

Version/ Plant numbers:

If version or plant numbers are mentioned in the spare parts list, then use the same to check before ordering which spare part needs to be used for your appliance.

Painted parts:

While ordering painted parts that are not mentioned in the spare parts list in their colour variations, please mention the colour number or the colour you require.

Technical changes:

We reserve the right to make technical changes as well as the right to exclusive use of our intellectual property.

FR

REMARQUES

Autres langues:

Cette liste de pièces de rechange est disponible en autres langues. Cela est disponible sous www.kaercher.com dans le menu Service.

La désignation du numéro de pièce, par ex. 7.5456380, correspond au numéro de pièce 7.545-638.0.

Indications de quantité:

Les indications de quantité dans la liste de pièces de rechange corresponde aux nombres de pièces des composants utilisés dans la construction.

Matériel au mètre:

Les pièces de rechange qui sont livrées au mètre doivent être raccourcies à longueur souhaitée par l'acheteur même. Les nombres des pièces sont indiquées en quantité de commande minimale = 1m et doivent être augmentés selon le besoin à une chiffre de mètre complète.

Versions/ Numéros d'usine:

Lorsqu'il sont indiquées des versions ou des numéros d'usine dans la liste de pièces de rechange, vous devez vérifier que composant doit être utilisé pour votre appareil.

Pièces laquées:

Pour commander des pièces laquées, à les différentes couleurs ne sont pas indiquées dans la liste des pièces de rechange, vous devez indiquer en plus le numéro de la couleur ou seulement la couleur.

Modifications techniques:

Nous nous réservons la possibilité des modifications techniques ainsi le droit d'exploitation exclusive de notre propriété intellectuelle.

IT

AVVERTENZE

Altre lingue:

Il presente elenco di parti di ricambio è disponibile sul nostro sito Web anche in altre lingue: sotto www.kaercher.com alla voce "Service".

L'indicazione del codice pezzo, ad es. 75456380, corrisponde al codice pezzo 7.545-638.0

Indicazioni di quantità:

Le indicazioni di quantità riportate dall'elenco "parti di ricambio" corrispondono al numero delle singole componenti contenute nella rispettiva unità.

Merce a metro:

Le parti di ricambio fornite come "merce a metro" devono venire in seguito accorciate alla lunghezza necessaria per il montaggio. La quantità unitaria è indicata come "quantità minima di ordinazione = 1m" e deve all'occorrenza venire moltiplicata per il numero intero di metri necessari.

Versioni / Numeri di fabbricazione:

Quando l'elenco "parti di ricambio" riporta diverse versioni o numeri di fabbricazione, confrontare la versione o il numero di fabbricazione del ricambio desiderato con quelle/i presenti nell'elenco e indicarlo/lo al momento dell'ordinazione.

Parti di ricambio verniciate:

Nel caso di ricambi verniciati, se l'elenco parti di ricambio non ne riporta espressamente i diversi colori, al momento dell'ordinazione è necessario indicare anche il colore o il numero del colore desiderato.

Modifiche tecniche:

Ci riserviamo il diritto di apportare modifiche tecniche così come il diritto di utilizzo esclusivo della nostra proprietà intellettuale.

ES

INDICACIONES

Otros idiomas:

La lista de piezas de repuesto se puede adquirir en otros idiomas. La puede adquirir en www.kaercher.com en el área de servicios.

La notación de los números de las piezas, p.ej. 75456380 corresponde al número de pieza 7.545-638.0.

Cantidades:

Las indicaciones de cantidades de la lista de piezas de repuesto corresponden al número de piezas montadas en el componente.

Mercancía por metros:

Las piezas de repuesto que se suministran por metros se pueden cortar al largo deseado. La unidad mínima de pedido es de = 1 m y el número de metros completos se puede aumentar según necesidad.

Versiones/números de fábrica:

Si se indica la versión o número de fábrica en la lista de piezas de repuesto, se debe comprobar en ella la pieza a usar para su aparato antes de realizar el pedido.

Piezas lacadas:

Al realizar pedidos de piezas lacadas que no estén indicadas en los diferentes colores en la lista de piezas de repuesto, se debe indicar también la referencia del color o el color.

Modificaciones técnicas:

Reservados los derechos de realizar modificaciones técnicas y aprovechar nuestra propiedad intelectual.

PL

WSKAZÓWKI

Pozostałe języki:

Ta lista części zamiennych jest dostępna w także w innych językach. Mogą ją Państwo pobrać ze strony www.kaercher.com w dziale Serwis.

Sposób zapisywania numeru części, np. 75456380, odpowiada numerowi części 7.545-638.0.

Dane ilości:

Dane ilości podane w liście części zamiennych odpowiadają liczbie sztuk podzespołów tworzących dany moduł.

Towar sprzedawany na metry:

Części zamienne dostarczane jako towar sprzedawany na metry po zamontowaniu należy samodzielnie skrócić do potrzebnej długości. Liczba sztuk podana jest jako minimalna ilość zamówienia = 1m i w zależności od potrzeb zwiększa się ją o kolejne pełne metry.

Wersje/ Numer zakładu:

Jeżeli w liście części zamiennych podane są wersje lub numery zakładu, przed zamówieniem na ich podstawie należy sprawdzić, który podzespół stosuje się w Państwa urządzeniu.

Części lakierowane:

W przypadku zamówień części lakierowanych, które w liście części zamiennych nie podano w wielu kolorach, należy dodatkowo zaznaczyć nr koloru lub kolor.

Zmiany techniczne:

Zastrzegamy sobie prawo do zmian technicznych oraz wyłącznego wykorzystywania naszej własności intelektualnej.

RU

УКАЗАНИЯ:

Другие языки:

Данный список запасных частей также доступен на других языках. Вы найдете его на сайте www.kaetcher.com в разделе Service Маркировка номера детали, например, 75456380, соответствует номеру детали 7.545-638.0.

Указание количества:

Количественные данные в списке запасных частей соответствуют числу компонентов, входящих в состав узлов.

Товар, продаваемый на метры:

Запасные части, продающиеся на метры, необходимо обрезать до нужной длины. Число изделий указано в виде минимального объема заказа = 1м и их количество можно округлить до требуемого по мере необходимости.

Варианты исполнения/заводские номера:

Если варианты исполнения или заводские номера указаны в списке запасных частей, то перед заказом необходимо проверить, какая деталь подходит для вашего устройства.

Лакированные детали:

При заказе лакированных деталей, варианты расцветки которых не указаны в списке запасных частей, необходимо дополнительно указать номер цвета или необходимый для вас цвет.

Технические изменения:

Мы оставляем за собой право на технические изменения, а также право на исключительное использование нашей интеллектуальной собственности.

CONTENT LIST

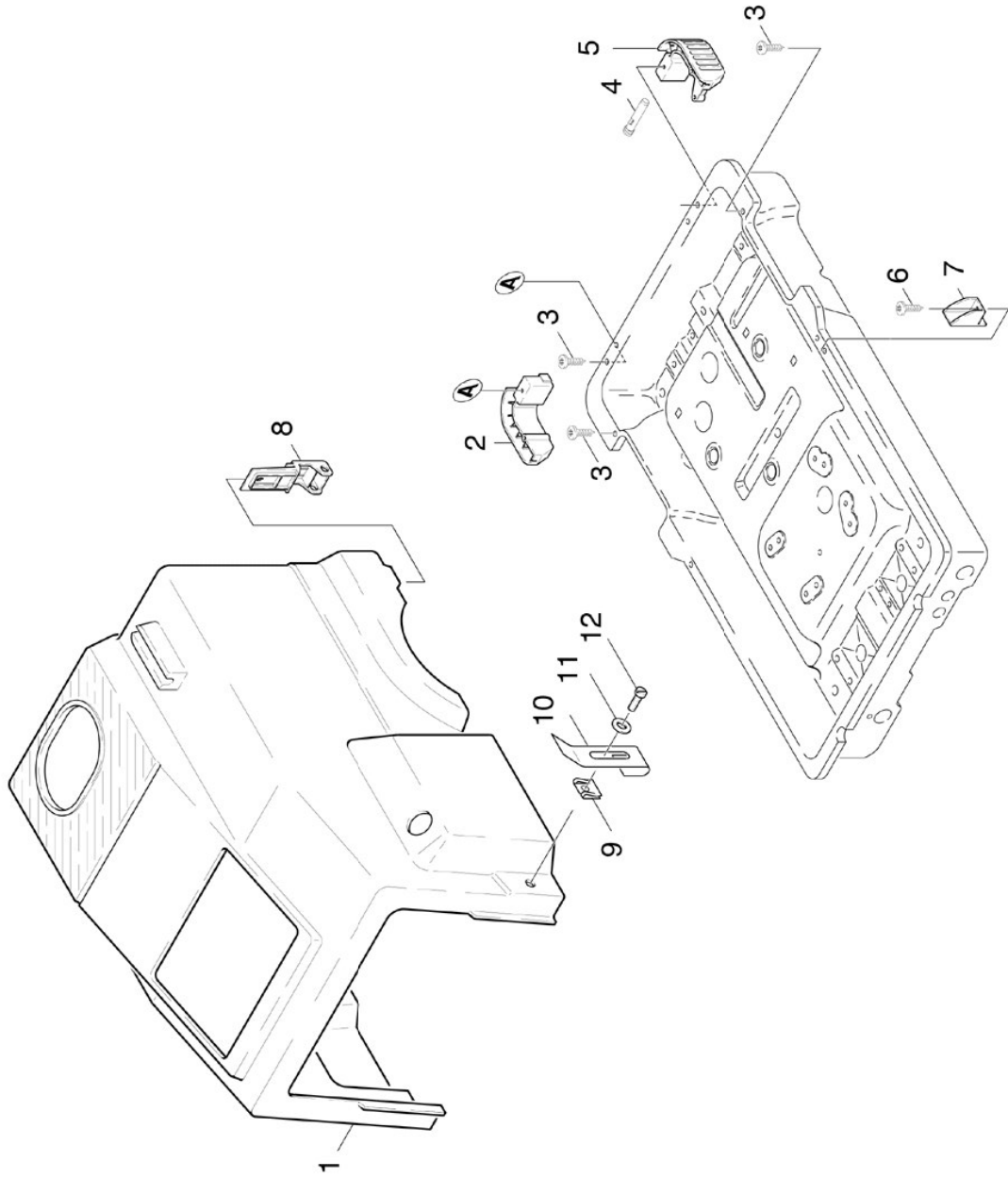
1.0 PIECE PARTS 1.1 COVER 1.2 TANK 1.3 FRAME VERSION 1 1.4 FRAME VERSION 2	9.0 Safety system 9.1 Pressure switch 9.2 Reed switch
2.0 PUMP SET 2.1 Piston 2.2 Cylinder head	10.0 ACCESSORIES 10.1 TRIGGER GUN 10.2 JET PIPE
3.0 Motor 3.1 Transmission 3.2 Motor	
4.0 Blower	
5.0 FUEL PUMP 5.1 Fuel pump 5.2 FUEL PUMP	
6.0 ELECTRIC CONTROL BOX 6.1 CONTROL PANEL 6.2 ASSEMBLY PLATE	
7.0 FLOW HEATER 7.1 BURNER COVER 7.2 HEATING COIL 7.3 BURNER BOTTOM	
8.0 FLOAT CHEST 8.1 FLOAT VALVE 8.2 DGT	

1.0 PIECE PARTS

- 1.1 COVER
- 1.2 TANK
- 1.3 FRAME
- VERSION 1**
- 1.4 FRAME
- VERSION 2**



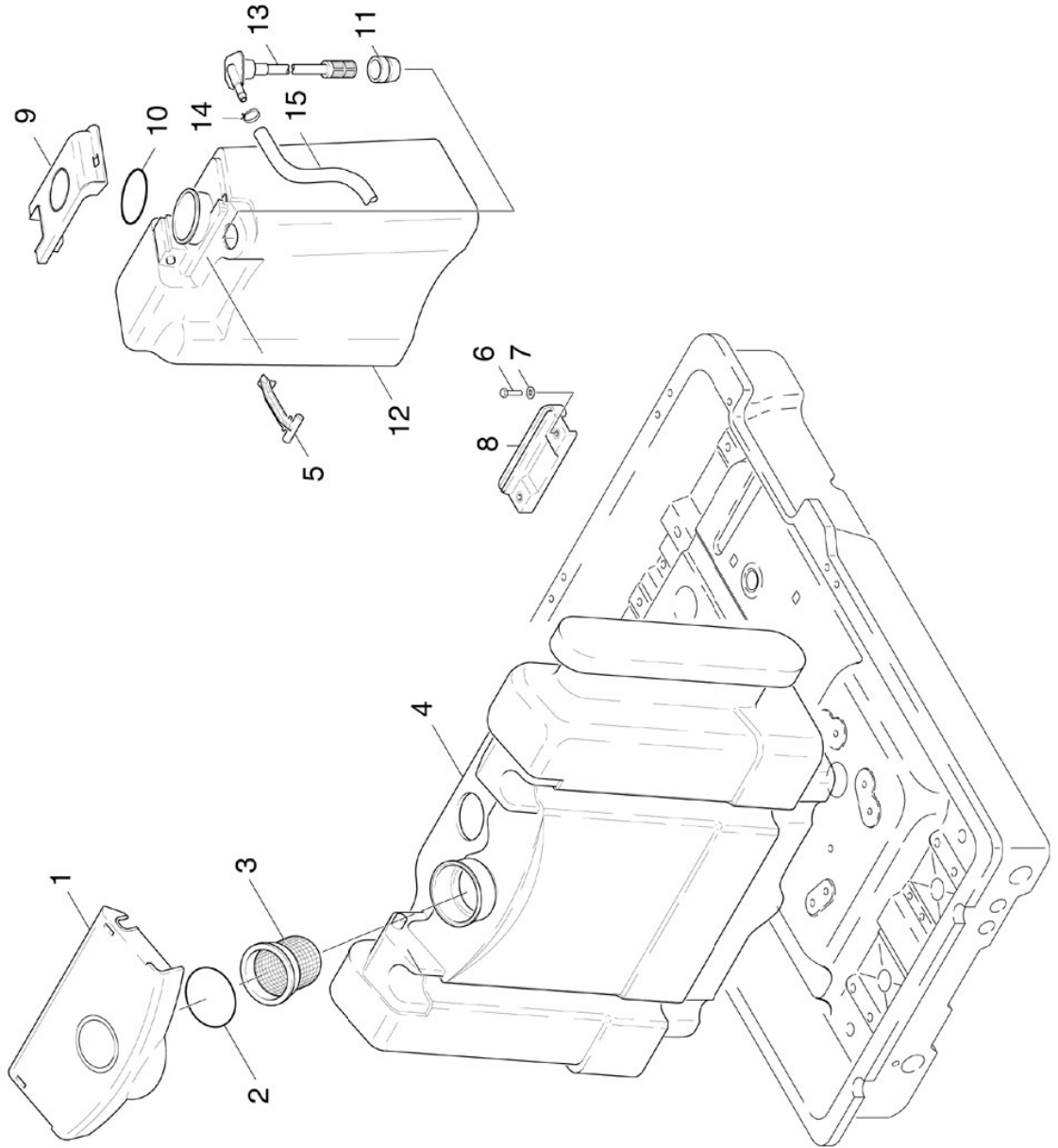
1.1 COVER



1.1 COVER

POS	DESCRIPTION ADDITIONAL INFORMATIONS	PART NO	QTY.	FROM SER.NR.	UP TO SER. NR.
1	COVER / 1.852-401.0	50666860	1		
1	COVER / 1.852-402.0	50667030	1		
2	Handhold left	53212800	1		
3	Sheet metal screw ST4,8X19-ST-A2R (KOMBI	73030780	4		
4	Bolt	53162400	2		
5	Handhold right	53212780	1		
6	Sheet metal screw ST4,8X13 -St-R2R (In6	73030760	2		
7	Holder	50425610	2		
8	Holder	50424620	2		
9	Putting nut / 1.852-402.0	63100530	1		
10	RETAINER CLIP / 1.852-402.0	50045190	1		
11	Washer 6-CuZn-E2E ISO7090 / 1.852-402.0	73120330	1		
12	Screw M6x20-ST- 8.8-A3R (IN6RD) / 1.852-402.0	73060920	1		

1.2 TANK



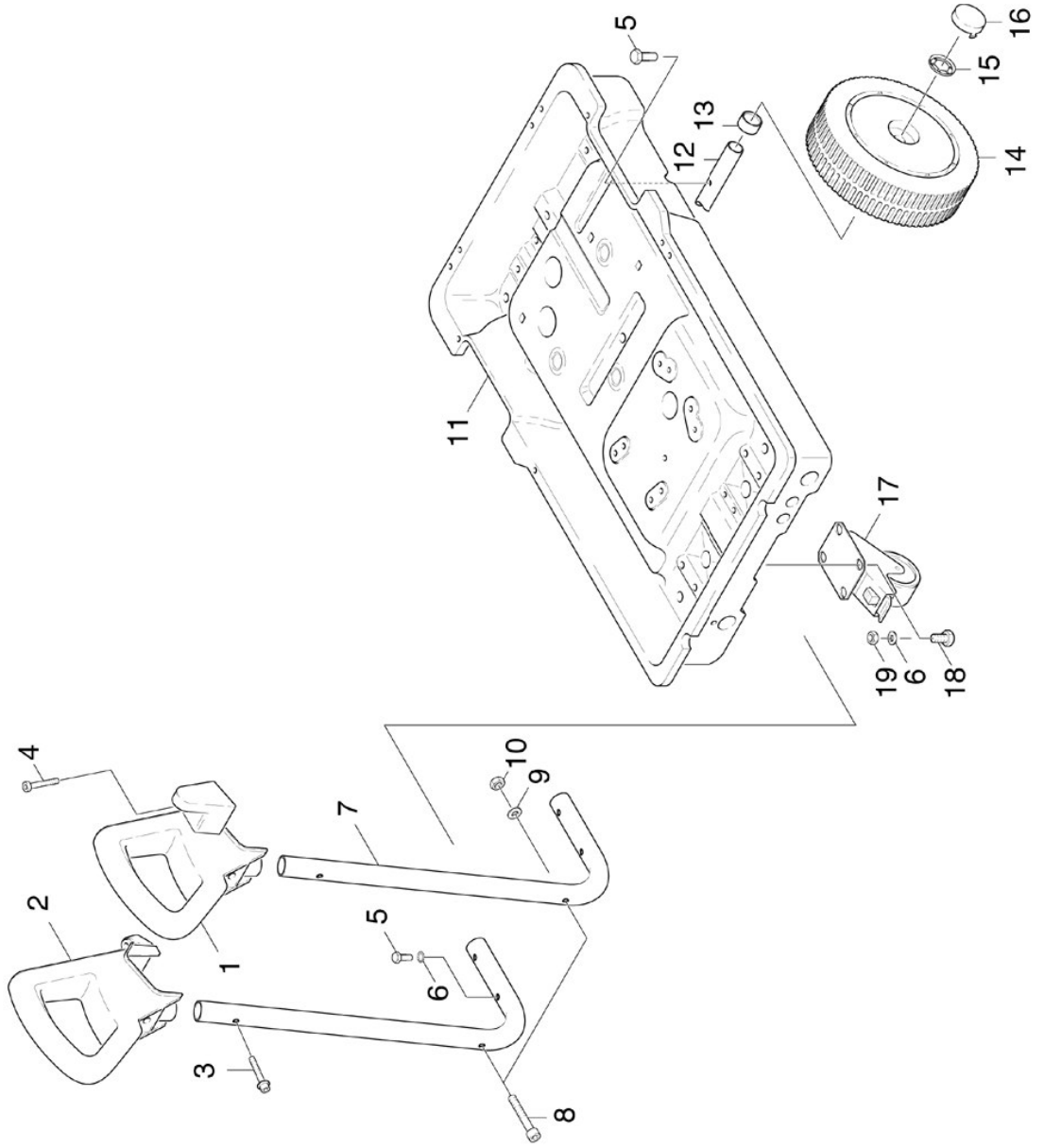
1.2 TANK

POS	DESCRIPTION	PART NO	QTY.	FROM SER.NR.	UP TO SER. NR.
	ADDITIONAL INFORMATIONS				
1	Cover fuel	50635650	1		
2	Joint ring	53632900	1		
3	Filter	57310390	1		
4	Tank fuel lacquered	50711830	1		
5	Holder	50424630	1		
6	SELF-TAPPING SCREW	63031050	2		
7	Washer 6-200HV-A2R ISO7093-1	73122910	2		
8	Support	50570400	1		
9	Cover	50633600	1		
10	O RING	63626350	1		
11	Profile gasket	53651470	1		
12	TANK	50710380	1		
13	Filter	64140280	1		
14	Hose clip	63885590	1		
15	Hose DN 7	63882250	1		

TO ORDER AS CUT GOODS

1.3 FRAME

VERSION 1



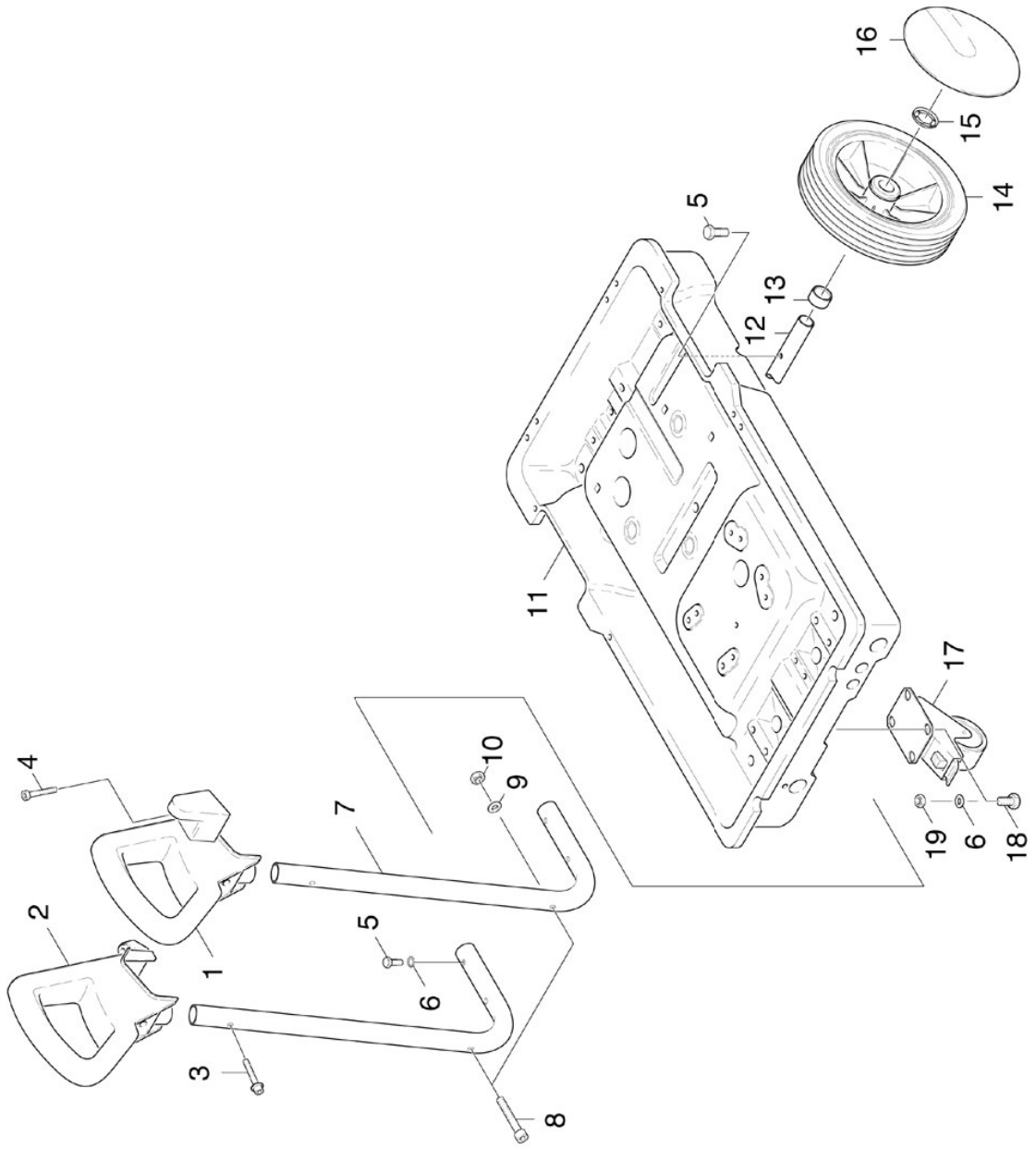
1.3 FRAME

VERSION 1

POS	DESCRIPTION ADDITIONAL INFORMATIONS	PART NO	QTY.	FROM SER.NR.	UP TO SER. NR.
1	Handhold complete	43210690	1		
2	Handhold	53214400	1		
3	Screw M 8X 30	63031910	2		
4	Screw M 6x35 -8.8-R3R (In6Rd)	73061180	2		
5	Screw M 8x16-ST-A2R DIN 7500-1	63030310	4		
6	Toothed lock washer A8,4-FSt-A3E DIN 67	73121660	3		
7	HANDLE	53214470	2		
8	Screw M6x45 -8.8-A3R (In6Rd)	73061310	2		
9	Washer 6 -100HV-A3E ISO 7094	73122600	2		
10	Hexagon nut M 6-8-A2E ISO 7040	73115120	2		
11	Frame	50500320	1		
12	Axle	51050860	1		
13	Sleeve	51103580	2		
14	Wheel	55150110	2		
15	Lock washer -25	63431620	2		
16	Cap	53920130	2		
17	Castor	64351160	1		
18	Hexagonal head screw M8x16-8.8-A2E ISO	73043950	4		
19	Hexagon nut M8 -8-A3E ISO 4032	73110040	4		

1.4 FRAME

VERSION 2



1.4 FRAME

VERSION 2

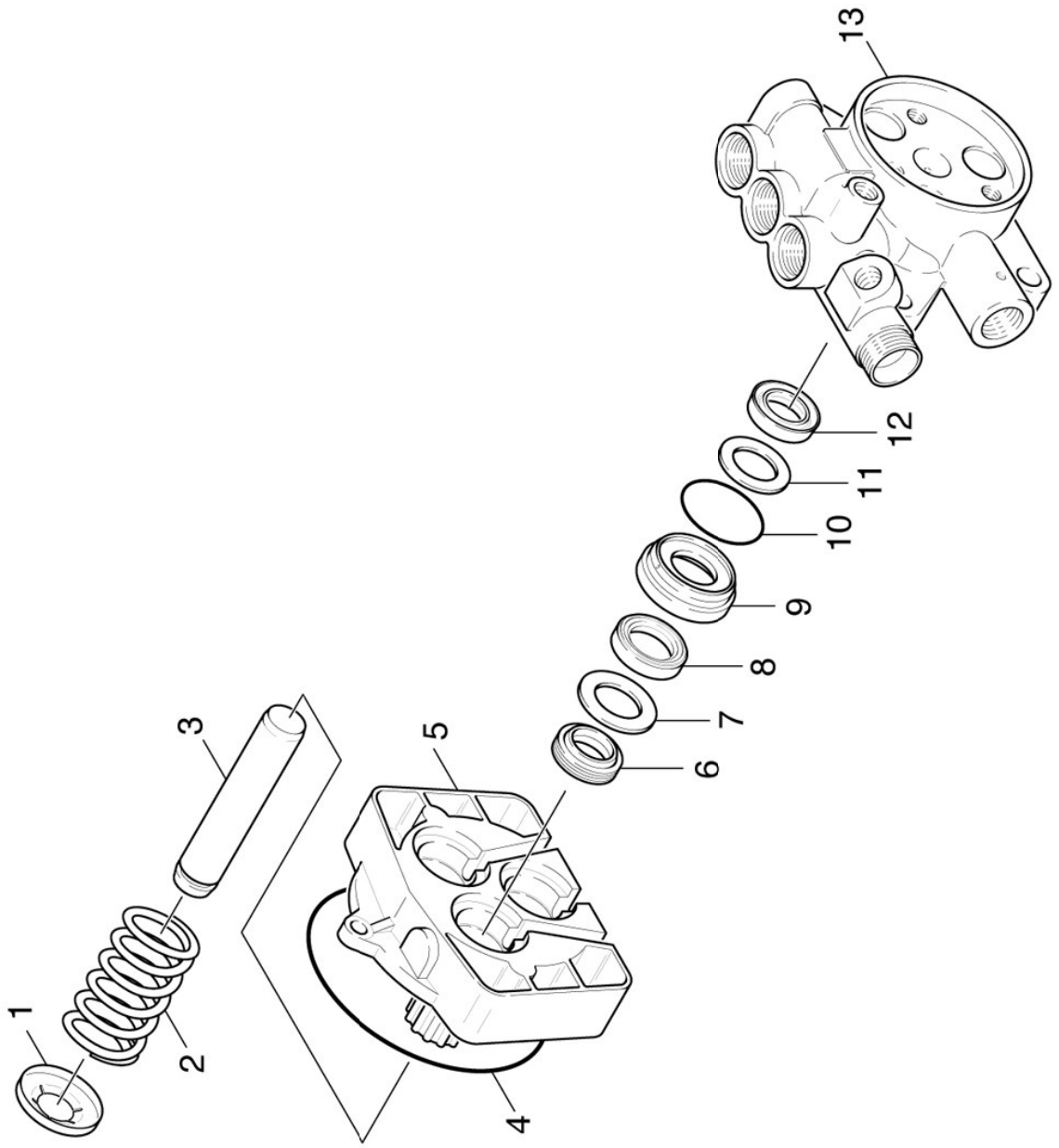
POS	DESCRIPTION ADDITIONAL INFORMATIONS	PART NO	QTY.	FROM SER.NR.	UP TO SER. NR.
1	Handhold complete	43210690	1		
2	Handhold	53214400	1		
3	Screw M 8X 30	63031910	2		
4	Screw M 6x35 -8.8-R3R (In6Rd)	73061180	2		
5	Screw M 8x16-ST-A2R DIN 7500-1	63030310	4		
6	Toothed lock washer A8,4-FSt-A3E DIN 67	73121660	3		
7	HANDLE	53214470	2		
8	Screw M6x45 -8.8-A3R (In6Rd)	73061310	2		
9	Washer 6 -100HV-A3E ISO 7094	73122600	2		
10	Hexagon nut M 6-8-A2E ISO 7040	73115120	2		
11	Frame	50500320	1		
12	Axle	51050860	1		
13	Sleeve	51105610	2		
14	WHEEL	64352360	2		
15	Lock washer -25	63431620	2		
16	WHEEL CAB	64352370	2		
17	Castor	64351160	1		
18	Hexagonal head screw M8x16-8.8-A2E ISO	73043950	4		
19	Hexagon nut M8 -8-A3E ISO 4032	73110040	4		

2.0 PUMP SET

- 2.1 Piston
- 2.2 Cylinder head



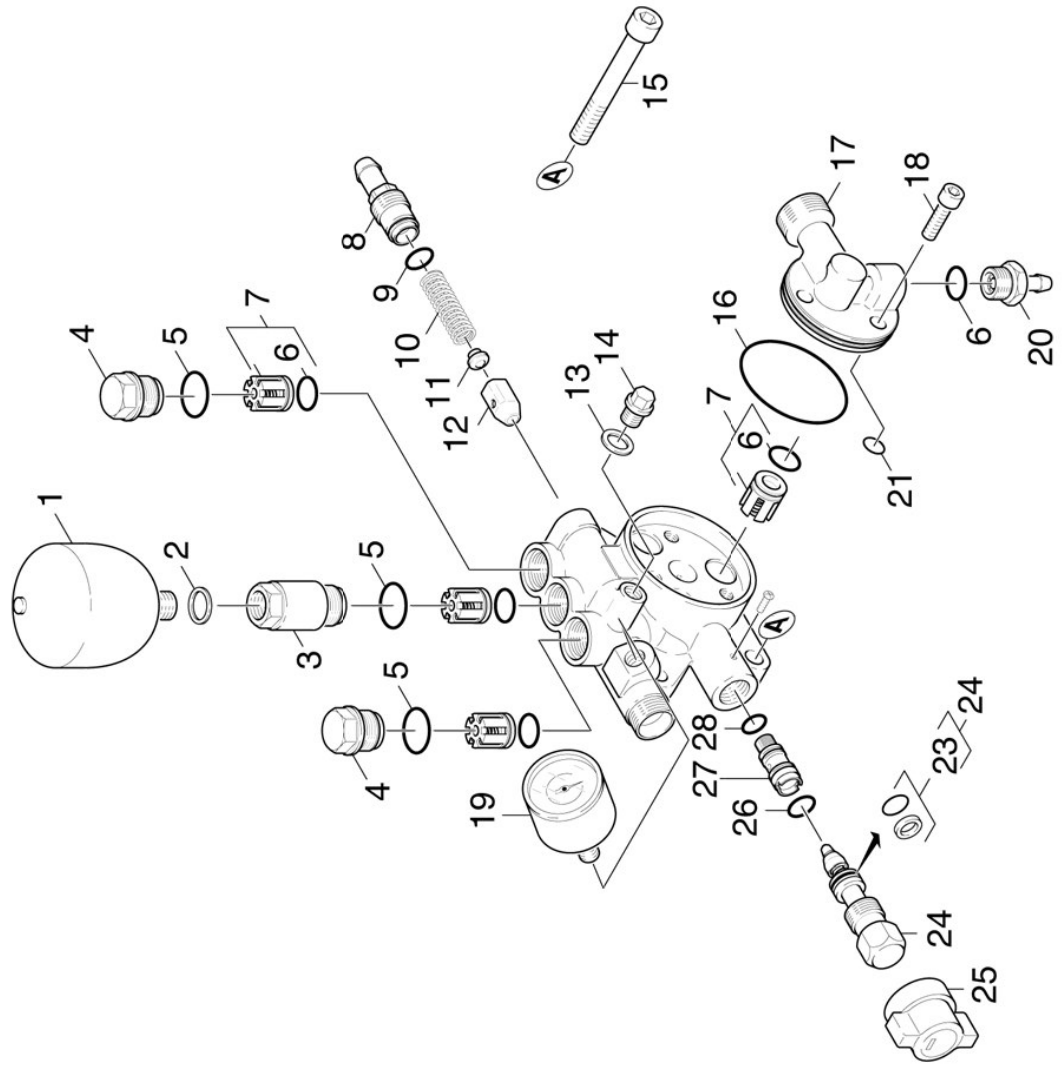
2.1 Piston



2.1 Piston

POS	DESCRIPTION ADDITIONAL INFORMATIONS	PART NO	QTY.	FROM SER.NR.	UP TO SER. NR.
1	Moulded part	50305000	3		
2	Helical spring	53322060	3		
3	Piston	55533080	3		
4	O-Ring seal 85,0 X 3,0-NBR 70	63620970	1		
5	Housing	50604260	1		
6	Grooved ring 16X24X7	63653220	3		
7	Washer	51154930	3		
8	Compact seal 16 x 24 x 4	63653510	3		
9	Bush	51124020	3		
10	O-Ring seal 27,5 X 1,5-NBR 70	63623980	3		
11	Washer	51154920	3		
12	Grooved ring 16X24X5,3	63653540	3		
13	Cylinder head complete	45502580	1		

2.2 Cylinder head



2.2 Cylinder head

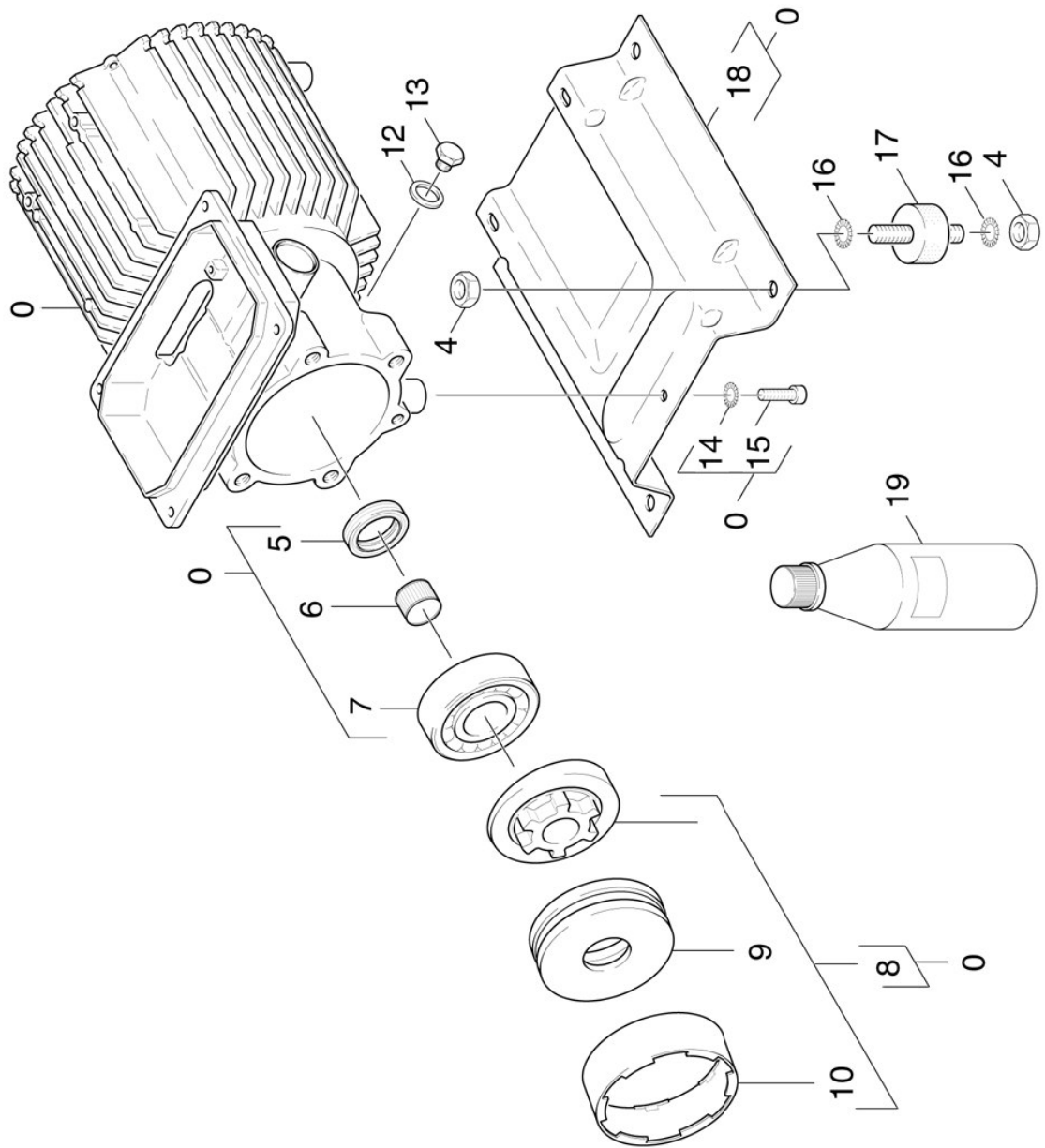
POS	DESCRIPTION ADDITIONAL INFORMATIONS	PART NO	QTY.	FROM SER.NR.	UP TO SER. NR.
1	Pressure accumulator	65050250	1		
2	Joint ring A14x18 -Cu DIN 7603	73620050	1		
3	Valve screw	55830610	1		
4	Valve screw	55831150	2		
5	O-Ring seal 17,3 X 2,4	63621600	3		
6	O-Ring seal 13,0x2,0	63623810	7		
7	Valve (3 Stueck)	28845120	1		
8	Valve screw	55831300	1		
9	O-Ring seal 12,0 X 2,0	63621690	1		
10	Helical spring	53321400	1		
11	Valve pin	55840600	1		
12	Valve disc complete	45820070	1		
13	Joint ring A10x13,5 -Cu DIN 7603	73620030	1		
14	Screw plug M10x1-A-CuZn DIN7604	73822310	1		
15	Cylinder head screw M8x60 -8.8-A2E ISO4	73060470	4		
16	O-Ring seal 55,0 X 2,0	63620940	1		
17	Cover housing	50633610	1		
18	Cylinder head screw M8x20 -8.8-A2E ISO	73060410	3		
19	Pressure gauge 0-160 BAR	64211280	1		
20	Valve	45801770	1		
21	O-Ring seal 9,0 x 1,5	63623840	3		
23	O-Ring seal 12,42 KOMPL	63625750	1		
24	Spindle	42910090	1		
25	Handhold	53212630	1		
26	O-Ring seal 11,0 X 1,3-NBR 70	63624020	1		
27	Sleeve	51104190	1		
28	O-Ring seal 8 X 2	63621010	1		

3.0 Motor

3.1 Transmission
3.2 Motor



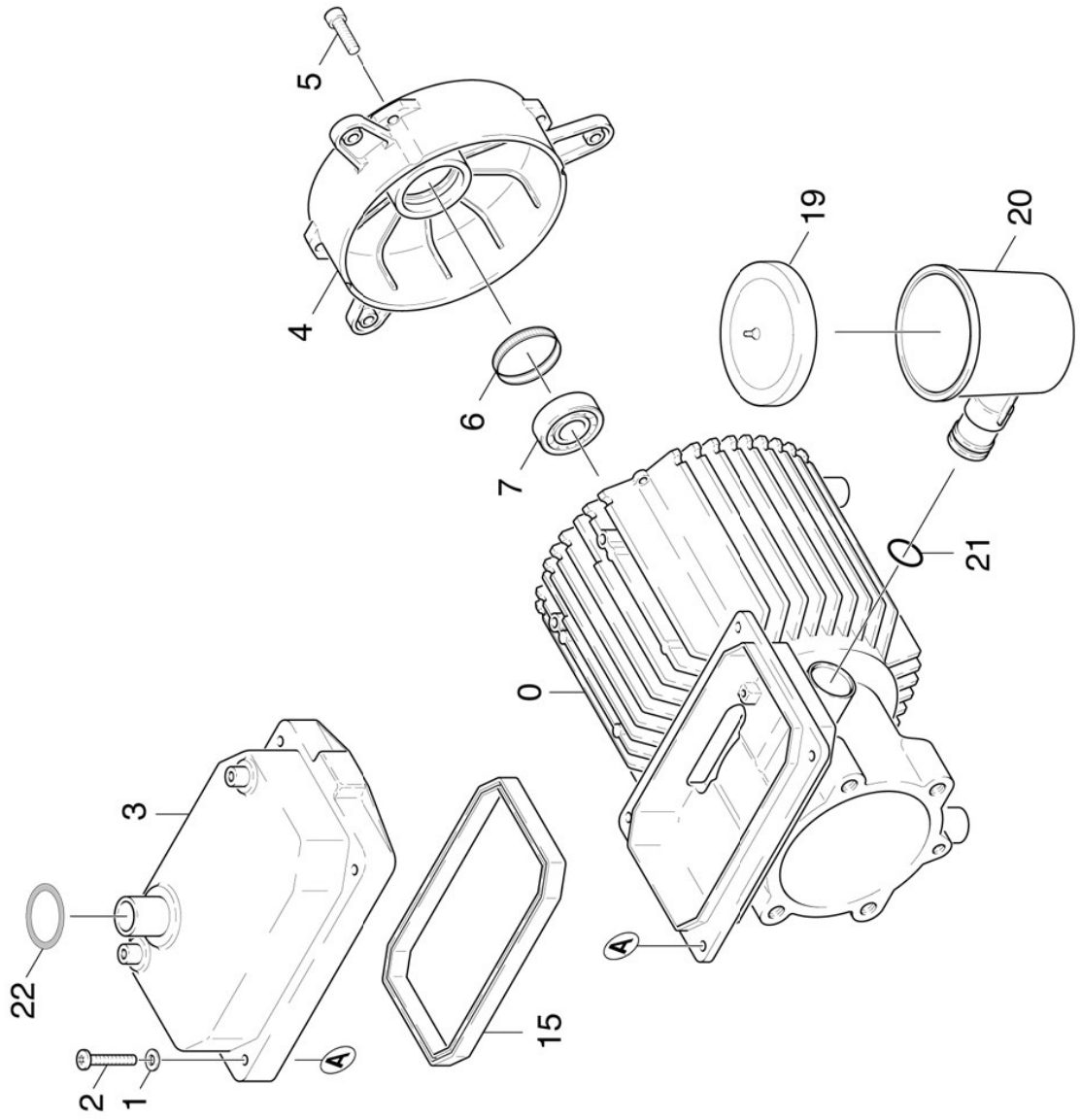
3.1 Transmission



3.1 Transmission

POS	DESCRIPTION ADDITIONAL INFORMATIONS	PART NO	QTY.	FROM SER.NR.	UP TO SER. NR.
0	Motor complete	46232400	1		
0	Stockpiling discontinued / 1.852-406.0	77779990	1		
4	Hexagon nut M8 -8-A3E ISO 4032	73110040	8		
5	Radial shaft seal ring A25x35x7-NBR DIN	73670080	1		
6	Tolerance ring 20X14	63430160	1		
7	Ball bearing 7305 B	64011420	1		
8	Swash plate complete / 1.852-406.0	41201160	1		
8	Swash plate	41201440	1		
9	Deep groove ball thrust bearing	64011410	1		
10	Ring	50150440	1		
12	Joint ring A10x13,5 -Cu DIN 7603	73620030	1		
13	Screw plug M10x1-St-A2E DIN 910	73820850	1		
14	Toothed lock washer A5,3-FSt-A3E DIN 67	73121720	3		
15	Screw M5x16 -St-A2R (In6Rd)	73030390	3		
16	Toothed lock washer A8,4-FSt-A3E DIN 67	73121660	8		
17	Rubber buffer	63390950	4		
18	Base plate	50510160	1		
19	Engine oil 1L	62880500	1		

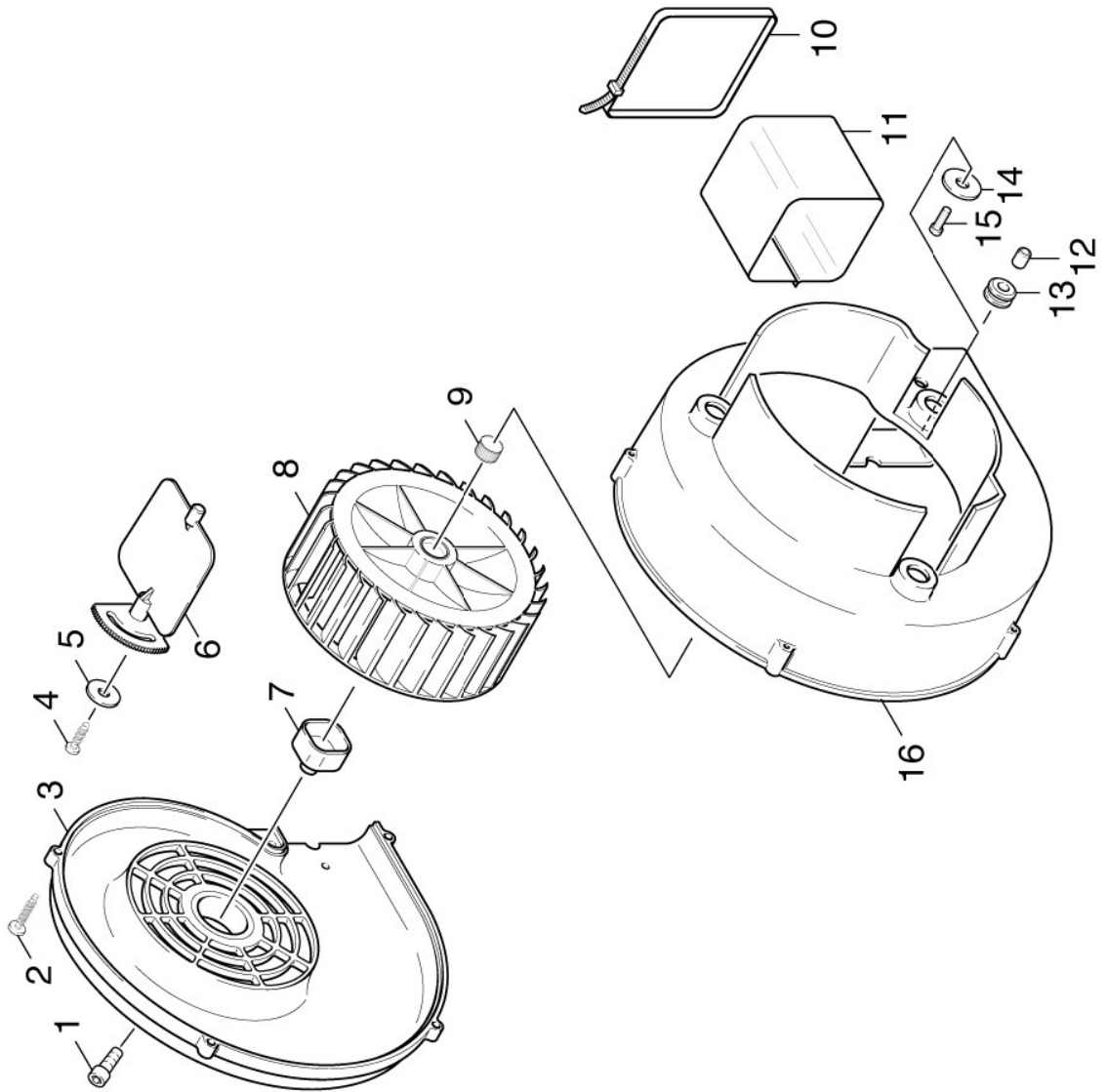
3.2 Motor



3.2 Motor

POS	DESCRIPTION ADDITIONAL INFORMATIONS	PART NO	QTY.	FROM SER.NR.	UP TO SER. NR.
0	Motor complete	46232400	1		
0	Stockpiling discontinued / 1.852-406.0	77779990	1		
1	Washer 5-200HV-A2E ISO7093-1	73122780	4		
2	Screw M5x30-ST-A2R (IN6RD)	73030430	4		
3	Cover motor	50633250	1		
4	Cover	50633020	1		
5	Screw M5x45-ST-A2R (IN6RD)	73030440	4		
6	Tolerance ring 35X6	63430150	1		
7	Ball bearing 6003-2RS Wälzl.St DIN 625	74011510	1		
15	Profile gasket	53651350	1		
19	Cover	50632370	1		
20	Tank oil	50700890	1		
21	O-Ring seal 18,0 X 2,5	63620790	1		
22	Joint ring	53633220	1		

4.0 Blower



4.0 Blower

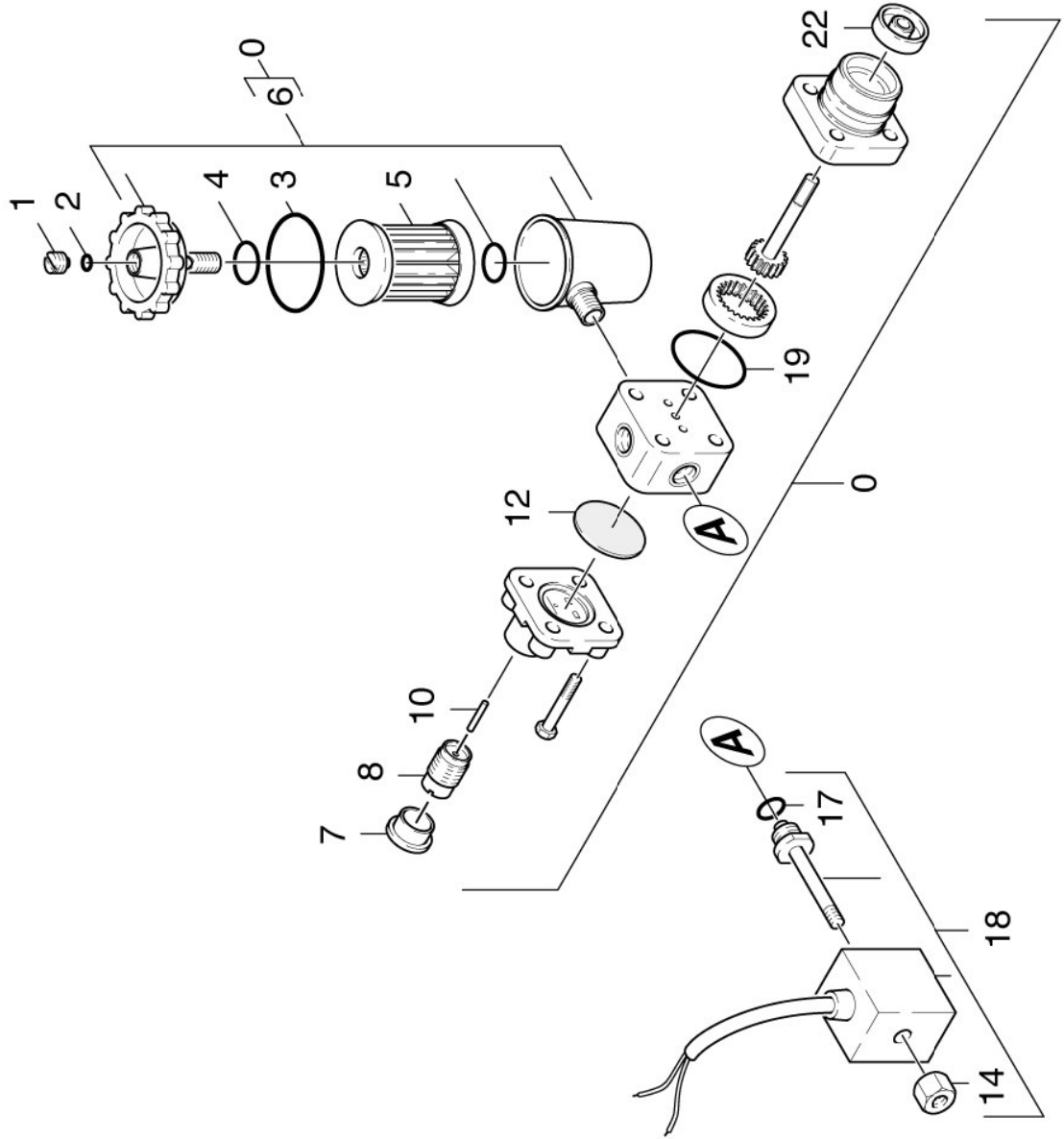
POS	DESCRIPTION ADDITIONAL INFORMATIONS	PART NO	QTY.	FROM SER.NR.	UP TO SER. NR.
1	Screw M6x16 -8.8-R3R (In6Rd)	73060900	1		
2	Screw 4x25 -10.9-R2R (K-In6Rd)	73030840	5		
3	Cover	50632740	1		
4	Sheet metal screw ST4,8X16-ST-A2R (IN6R	73030770	1		
5	Washer 5-200HV-A2E ISO7093-1	73122780	1		
6	Air flap	56060020	1		
7	Coupling element	54710600	1		
8	Impeller	56000210	1		
9	Tolerance ring D14X8	63431660	1		
10	Tightening strap	63886080	2		
11	Cloth collar	51780260	1		
12	Sleeve	51103060	3		
13	Rubber ring	53790110	3		
14	Washer 5-100HV-A3E ISO 7094	73122640	3		
15	Screw M5x20 -St-R2R (In6Rd)	73030410	3		
16	Housing	56051190	1		

5.0 FUEL PUMP

5.1 Fuel pump
5.2 FUEL PUMP



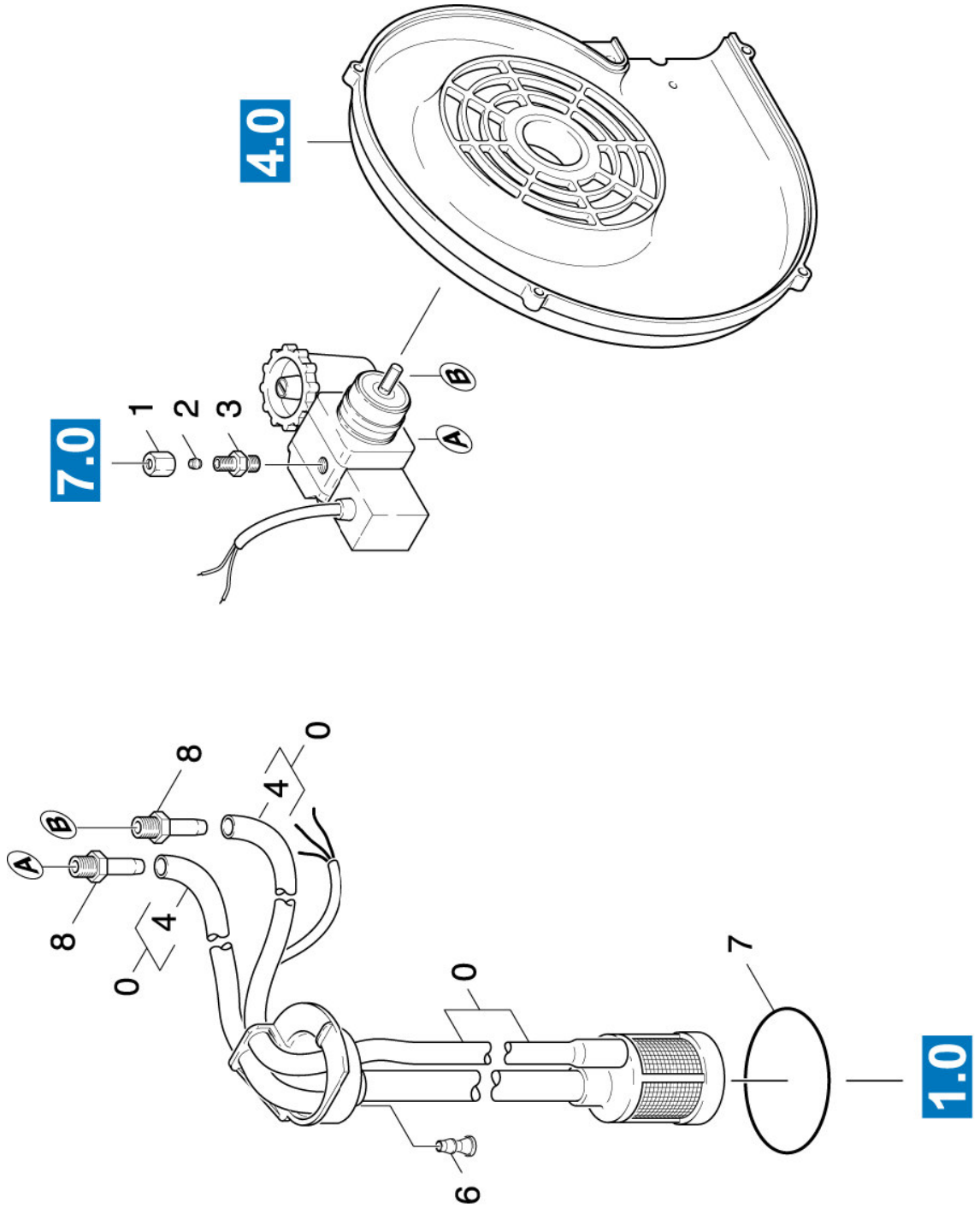
5.1 Fuel pump



5.1 Fuel pump

POS	DESCRIPTION ADDITIONAL INFORMATIONS	PART NO	QTY.	FROM SER.NR.	UP TO SER. NR.
0	Pump oil burner only for replacement	64729250	1		
1	Screw ventilation	64721070	1		
2	O-Ring seal 5,0 X 1,8	64721060	1		
3	O-Ring seal 32,0 X 1,6	64721110	1		
4	O-Ring seal 10,0 X 2,4	64721120	1		
5	Filter cartridge	64721130	1		
6	Filter housing complete	64721230	1		
7	Protecting cap	64721220	1		
8	Housing spring	64721090	1		
10	Pin	64721080	1		
12	Diaphragm	64721280	1		
14	Knurled nut	64723400	1		
17	O-Ring seal 12,0 X 1,5	64721250	1		
18	Solenoid valve	64724110	1		
19	O-Ring seal 28,5 X 1,6	64721200	1		
22	Seal axle	64721050	1		

5.2 FUEL PUMP



5.2 FUEL PUMP

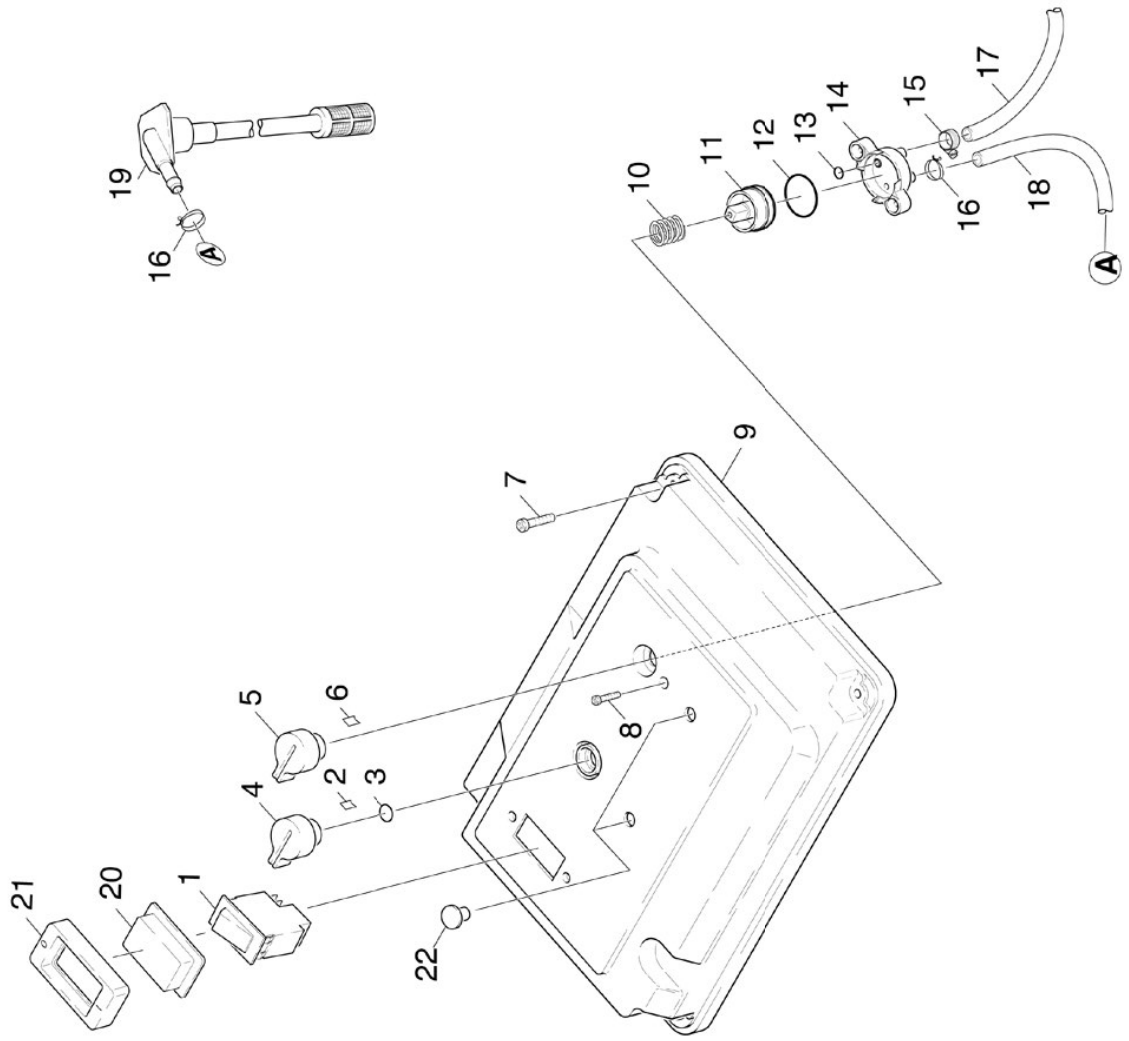
POS	DESCRIPTION ADDITIONAL INFORMATIONS	PART NO	QTY.	FROM SER.NR.	UP TO SER. NR.
0	LEVEL PROBE	47470670	1		
1	Union nut A 4-LL	63892620	1		
2	Cutting ring d.4	63892630	1		
3	Screw union	63892610	1		
4	Hose	63895340	1		
	TO ORDER AS CUT GOODS				
6	SLEEVE	51105320	1		
7	Joint ring	53633060	1		
8	Hose stem only for replacement	64729270	2		

6.0 ELECTRIC CONTROL BOX

6.1 CONTROL PANEL
6.2 ASSEMBLY PLATE



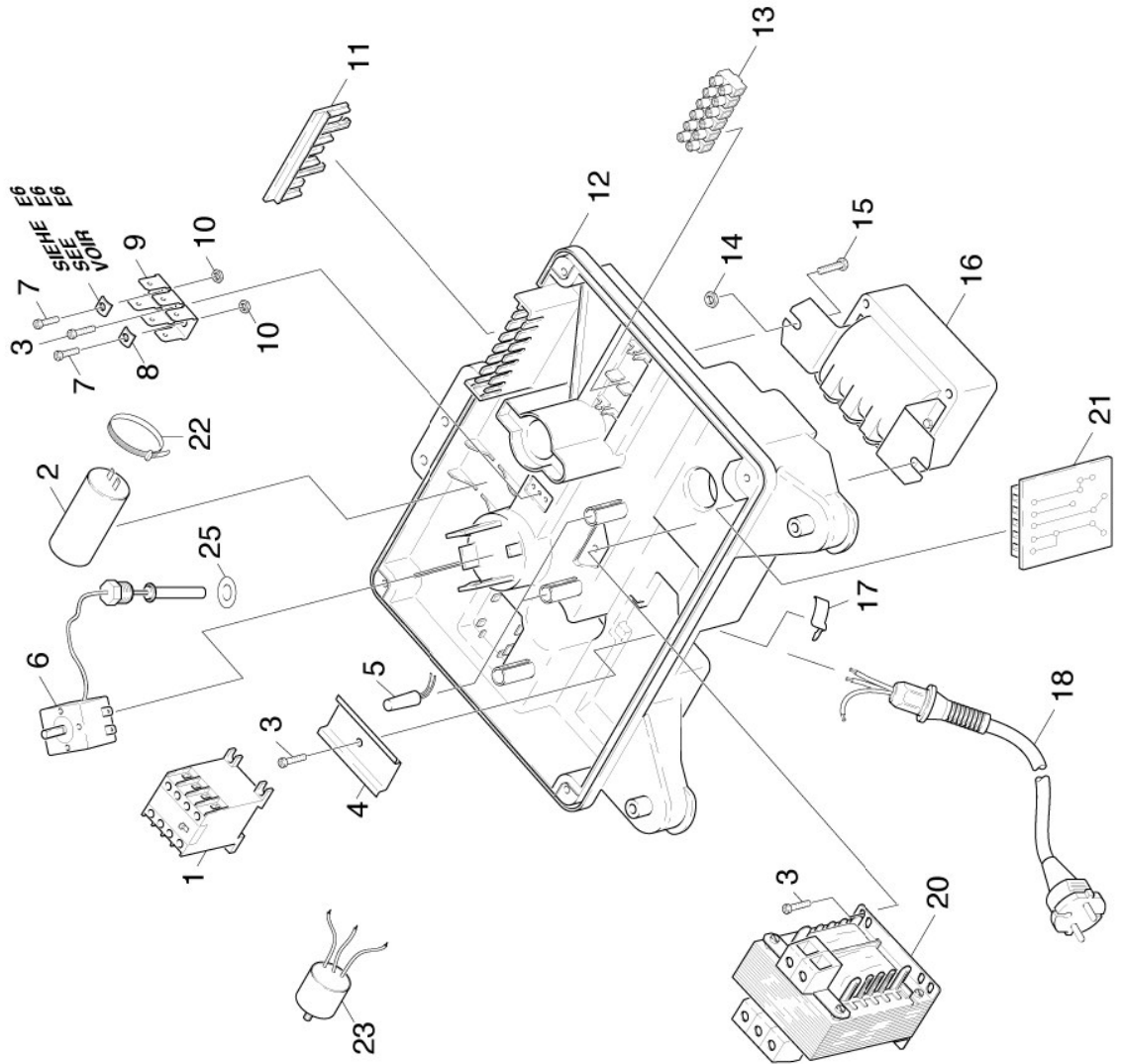
6.1 CONTROL PANEL



6.1 CONTROL PANEL

POS	DESCRIPTION ADDITIONAL INFORMATIONS	PART NO	QTY.	FROM SER.NR.	UP TO SER. NR.
1	Rocker switch	66317630	1		
2	Spring element	63130140	2		
3	O-Ring seal 13,3x2,4	63620780	1		
4	HANDLE SWITCHES	53214490	1		
5	HANDLE SWITCHES	53214500	1		
6	Plate spring	53370210	1		
7	Screw 5x16	63031550	4		
8	Screw M4x16-ST-A2R (KOMBI-IN6RD)	73030330	1		
9	Control panel	58413030	1		
10	Helical spring	53320280	1		
11	VALVE SEAT	55811780	1		
12	O RING	63627120	1		
13	O-Ring seal 5,0 x 1,5-NBR 80	63623860	1		
14	Valve housing	55870540	1		
15	Hose clip	63885150	1		
16	Hose clip	63885590	2		
17	Hose DN 7	63881940	1		
	TO ORDER AS CUT GOODS				
18	Hose DN 7	63882250	1		
	TO ORDER AS CUT GOODS				
19	Filter	64140280	1		
20	Protective cover	66314690	1		
21	Frame	50500610	1		
22	HOUSING ROT	66513160	2		

6.2 ASSEMBLY PLATE



6.2 ASSEMBLY PLATE

POS	DESCRIPTION ADDITIONAL INFORMATIONS	PART NO	QTY.	FROM SER.NR.	UP TO SER. NR.
1	Contacteur LC1-D18B7SV30	66323560	1		
2	Capacitor 40µF	66611580	1		
3	Screw 4x12 -10.9-R2R (IN6RD)	73031060	3		
4	Mounting part	58022610	1		
5	Pilot lamp	66512750	2		
6	Thermostat	66859490	1		
7	Screw M4x16-ST-A2R (KOMBIHN6RD)	73030330	2		
8	Clamping washer 4 / 1.852-401.0 / -403.0 / -406.0	66418040	2		
9	Plug	66412700	1		
10	Hexagon nut M4 -8-A2E ISO 4032	73110010	2		
11	Clamping part	50309540	1		
12	Mounting plate	58011170	1		
13	Strip terminal	66432490	1		
14	Hexagon nut M6 -04-A2E ISO 10511	73114250	1		
15	Hexagonal head screw M 6x25-8.8-A2E ISO	73043860	1		
16	Spare parts set ignition transformer / 1.852-402.0 / -405.0	28834650	1		
16	Ignition transformer 230V / 1.852-401.0 / -403.0 / -405.0	66221660	1		
17	Retaining clip	63431700	1		
18	CABLE / 1.852-402.0	66471250	1		
18	Cable with plug *AU / 1.852-405.0	66471270	1		
18	Cable with plug / 1.852-401.0 / -406.0	66472510	1		
18	CABLE & PLUG / 1.852-403.0	66472750	1		
20	Control transformer 40VA	66220210	1		
21	Pulse generator	66333720	1		
22	Cable tape	66414650	1		

6.2 ASSEMBLY PLATE

POS	DESCRIPTION ADDITIONAL INFORMATIONS	PART NO	QTY.	FROM SER.NR.	UP TO SER. NR.
-----	--	---------	------	--------------	----------------

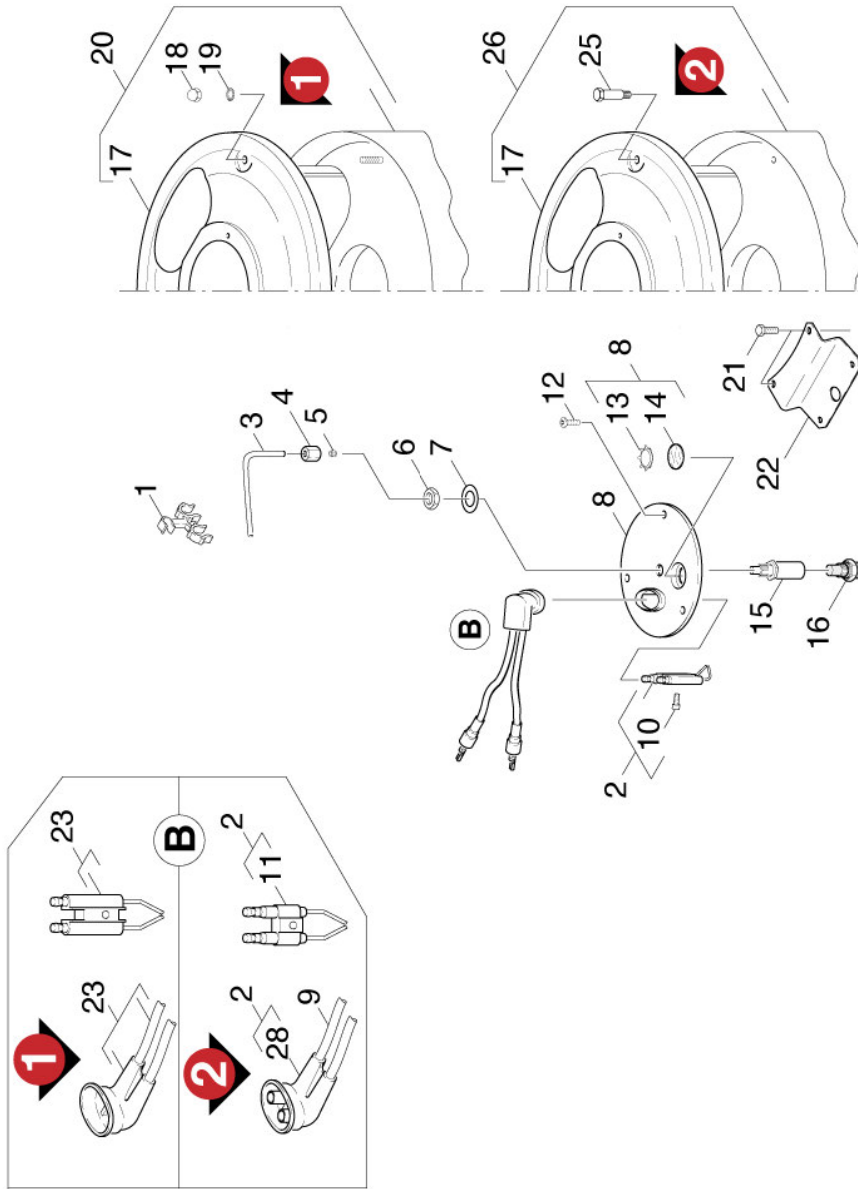
23	Interference suppressor	66610920	1		
24	Toothed lock washer A4,3-FST-PH DIN 679 / 1.852-402.0 / -405.0	73121630	2		
25	Washer	51153750	1		

7.0 FLOW HEATER

- 7.1 BURNER COVER
- 7.2 HEATING COIL
- 7.3 BURNER BOTTOM



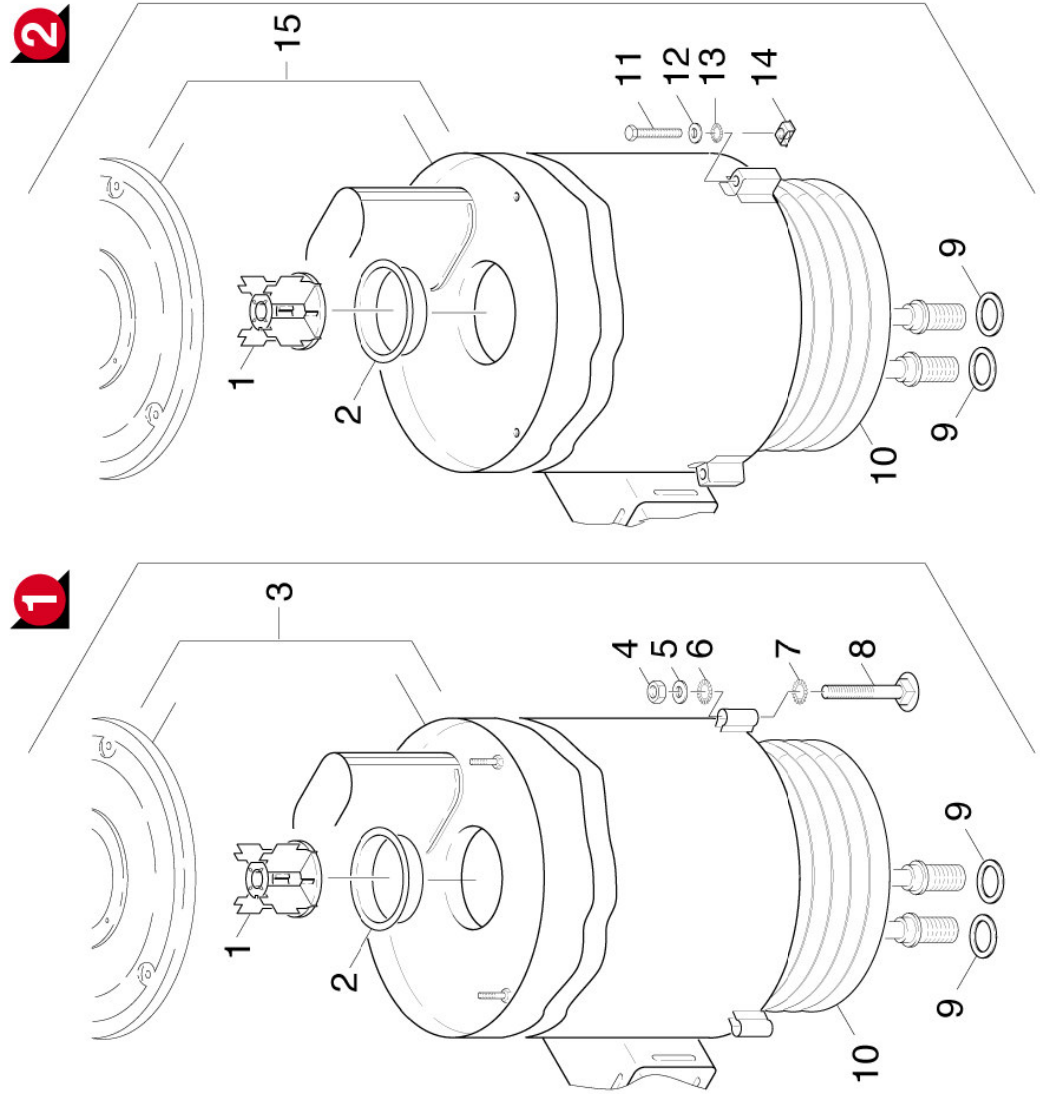
7.1 BURNER COVER



7.1 BURNER COVER

POS	DESCRIPTION ADDITIONAL INFORMATIONS	PART NO	QTY.	FROM SER.NR.	UP TO SER. NR.
1	Holder	66475270	1		
2	Conversion kit ignition electrode	26389740	1		
3	Conduit	54231400	1		
4	Union nut A 4-LL	63892620	1		
5	Cutting ring d.4	63892630	1		
6	Hexagon nut M10x1 -04-A2E ISO 8675	73111010	1		
7	Spring washer B10-FST-A2E DIN 137	73123020	1		
8	Cover pressure boiler	46542180	1		
9	IGNITION LEAD (HDS 557CI)	48210710	1		
10	Screw M5x14 -8.8-A2R (In6Rd)	73062170	1		
11	Conversion kit ignition electrode	26389740	1		
12	Screw M5x12 -St-P2R (In6Rd)	73030380	3		
13	Serrated ring	63431650	1		
14	Glass pane	62780180	1		
15	Nozzle holder	56670550	1		
16	Nozzle	64155200	1		
17	Cover pressure boiler	46541960	1		
18	Cap nut M6 -6-A2E DIN 1587	73113800	3		
19	VERSION 1 Toothed lock washer A6,4-FSt-A3E DIN 67	73121670	3		
20	VERSION 1 Outer covering	46520860	1		
21	VERSION 1 Screw M6x16 -8.8-R3R (In6Rd)	73060900	2		
22	Moulded part	50309850	1		
23	Conversion kit ignition cable	26389760	1		
25	Self-tapping screw	63032580	3		
26	VERSION 2 Outer covering	46521120	1		
28	VERSION 2 Protecting cap	53944700	1		

7.2 HEATING COIL



7.2 HEATING COIL

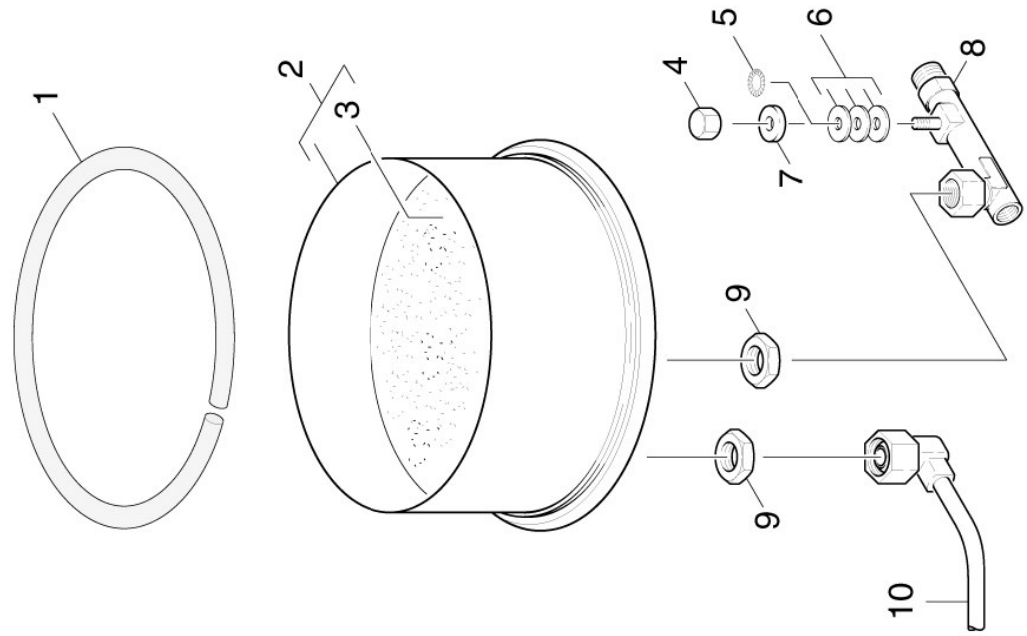
POS	DESCRIPTION ADDITIONAL INFORMATIONS	PART NO	QTY.	FROM SER.NR.	UP TO SER. NR.
1	Burner cage	46630730	1		
2	Burner part	56641790	1		
3	Outer covering	46520860	1		
	VERSION 1				
4	Hexagon nut M 8-8-A2E ISO 7040	73115100	3		
	VERSION 1				
5	Washer 8-200HV-A2E ISO7093-1	73122770	4		
	VERSION 1				
6	Toothed lock washer A10,5 -FSt-A3E DIN	73121600	1		
	VERSION 1				
7	Toothed lock washer A13-FST-A3E DIN 679	73121690	2		
	VERSION 1				
8	Saucer-head screw M8x55-ST-A0P DIN 603	73031650	3		
	VERSION 1				
9	Profile gasket	53650680	2		
10	Heating coil	46801220	1		
	VERSION 1				
10	Heating coil	46801270	1		
	VERSION 2				
	/ 1.852-408.0 / -409.0				
10	Heating coil VA	46801290	1		
	STAINLESS STEEL CONSTRUCTION				
	1.852-408.0 / -409.0				
	VERSION 2				
11	Hexagonal head screw M8x60-8.8-A2E ISO	73040960	3		
	VERSION 2				
12	Washer 8 -200HV-A3E ISO 7090	73120040	3		
	VERSION 2				
13	Toothed lock washer A8,4-FSt-A3E DIN 67	73121660	3		
	VERSION 2				
14	Cage nut M 8	63100810	3		
	VERSION 2				

7.2 HEATING COIL

POS	DESCRIPTION ADDITIONAL INFORMATIONS	PART NO	QTY.	FROM SER.NR.	UP TO SER. NR.
-----	--	---------	------	--------------	----------------

15	Outer covering VERSION 2	46521120	1		
----	-----------------------------	----------	---	--	--

7.3 BURNER BOTTOM



7.3 BURNER BOTTOM

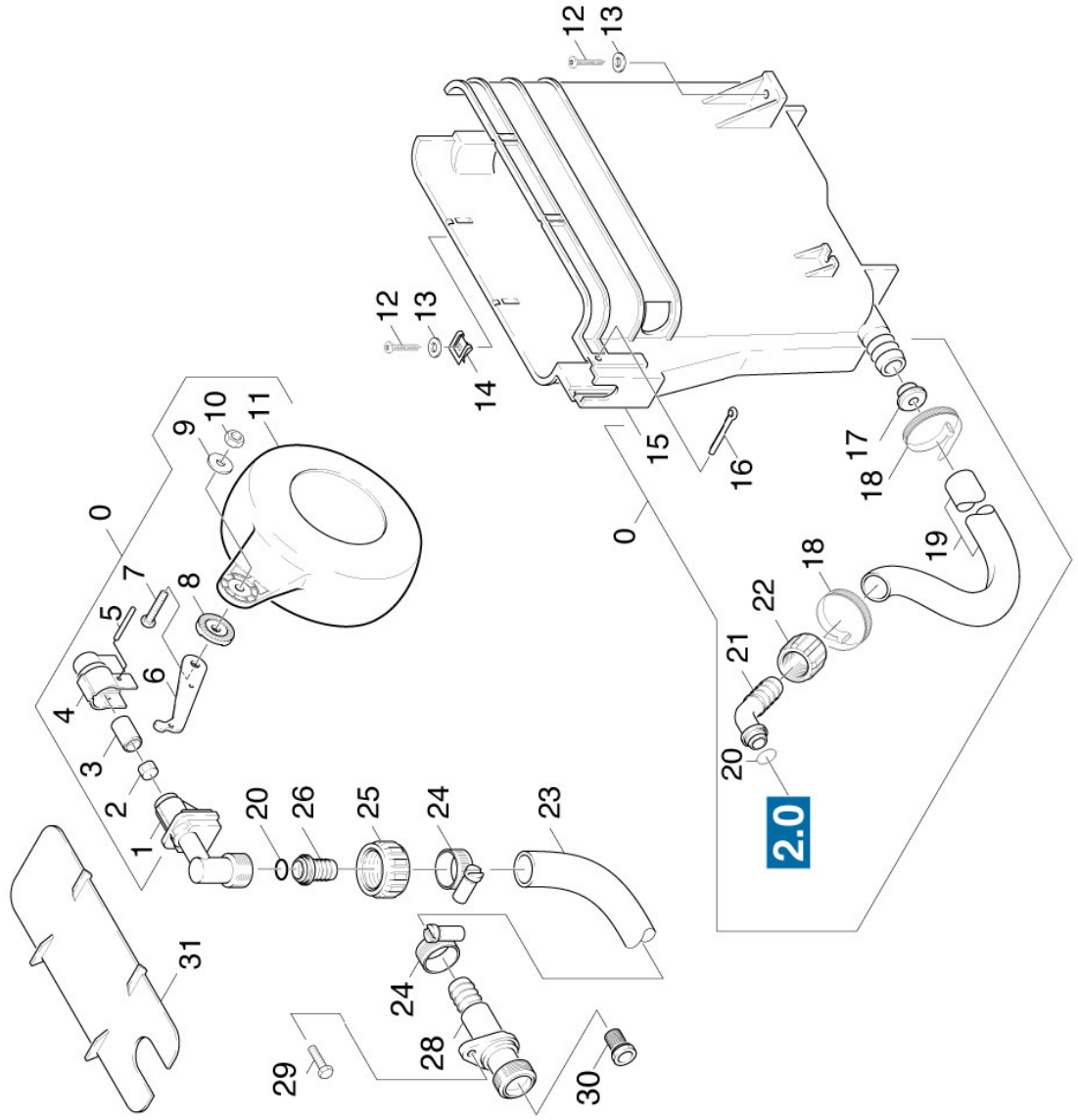
POS	DESCRIPTION ADDITIONAL INFORMATIONS	PART NO	QTY.	FROM SER.NR.	UP TO SER. NR.
1	Seal string	63660090	1		
2	Bottom pressure boiler	46550440	1		
3	Refractory material 8kg	28890610	1		
4	Hexagon nut M8 -8-A3E ISO 4032	73110040	1		
5	Toothed lock washer A13-FST-A3E DIN 679	73121690	2		
6	Washer 10-200HV-A3E ISO 7090	73120050	3		
7	Washer 8-200HV-A2E ISO7093-1	73122770	1		
8	Manifold	44271230	1		
9	Hexagon nut M22x1,5 -Cu2 ISO 8675	73111550	2		
10	Pipelines	44210640	1		

8.0 FLOAT CHEST

8.1 FLOAT VALVE
8.2 DGT



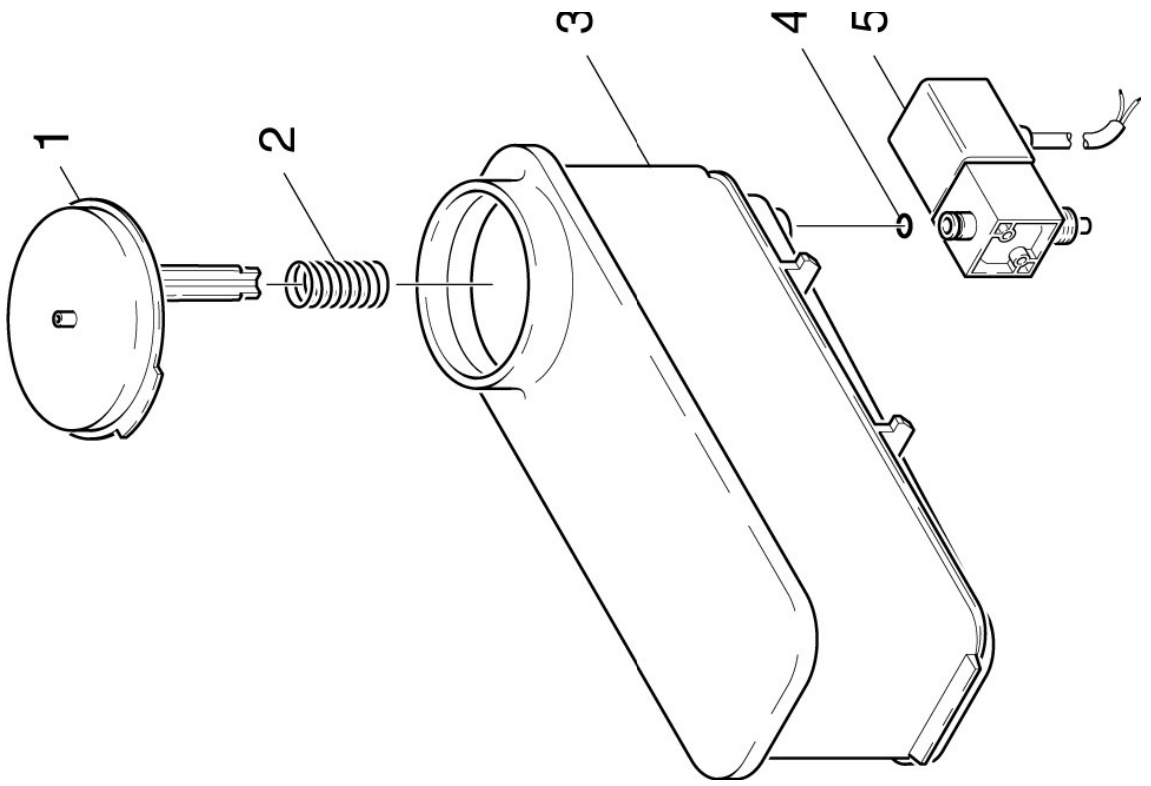
8.1 FLOAT VALVE



8.1 FLOAT VALVE

POS	DESCRIPTION ADDITIONAL INFORMATIONS	PART NO	QTY.	FROM SER.NR.	UP TO SER. NR.
0	Float tank	35930860	1		
1	Valve housing	55871340	1		
2	Flat gasket	53640950	1		
3	Valve pin	55840260	1		
4	Protection part	53940660	1		
5	Bolt A 3x25 -CuZn ISO 2340	73160040	1		
6	Lever	54810290	1		
7	Screw M6x20 -A2-70 (In6Rd)	73061940	1		
8	Washer	51151580	1		
9	Washer 6-CuZn ISO 7093-1	73122790	1		
10	Hexagon nut M 6-1,4305 ISO 10511	73114220	1		
11	Float	55850140	1		
12	Sheet metal screw ST4,8X19-ST-A2R (KOMBI	73030780	2		
13	Washer 5-200HV-A2E ISO7093-1	73122780	2		
14	Snap nut 4,8	63100280	1		
15	Tank	50700990	1		
16	Cotter 4x50 -St-A2E ISO 1234	73164320	1		
17	Bush	51121890	1		
18	Cable tape 8-210	66414740	2		
19	Hose 19x4	63887210	1		
20	O-Ring seal 13,3x2,4	63620780	2		
21	Hose stem	54432110	1		
22	Nut	53100620	1		
23	FLEX HOSE(CUT TO REQD LENGTHM'S) TO ORDER AS CUT GOODS	63887190	1		
24	Hose clip	63885470	2		
25	Nut R 3/4"	53100610	1		
26	Hose stem	54432240	1		
28	Manifold	54271780	1		
29	Screw 6,0X20-ST-A2R	63031740	1		
30	Strainer	64142820	1		

8.2 DGT



8.2 DGT

POS DESCRIPTION PART NO QTY. FROM SER.NR. UP TO SER. NR.
ADDITIONAL INFORMATIONS

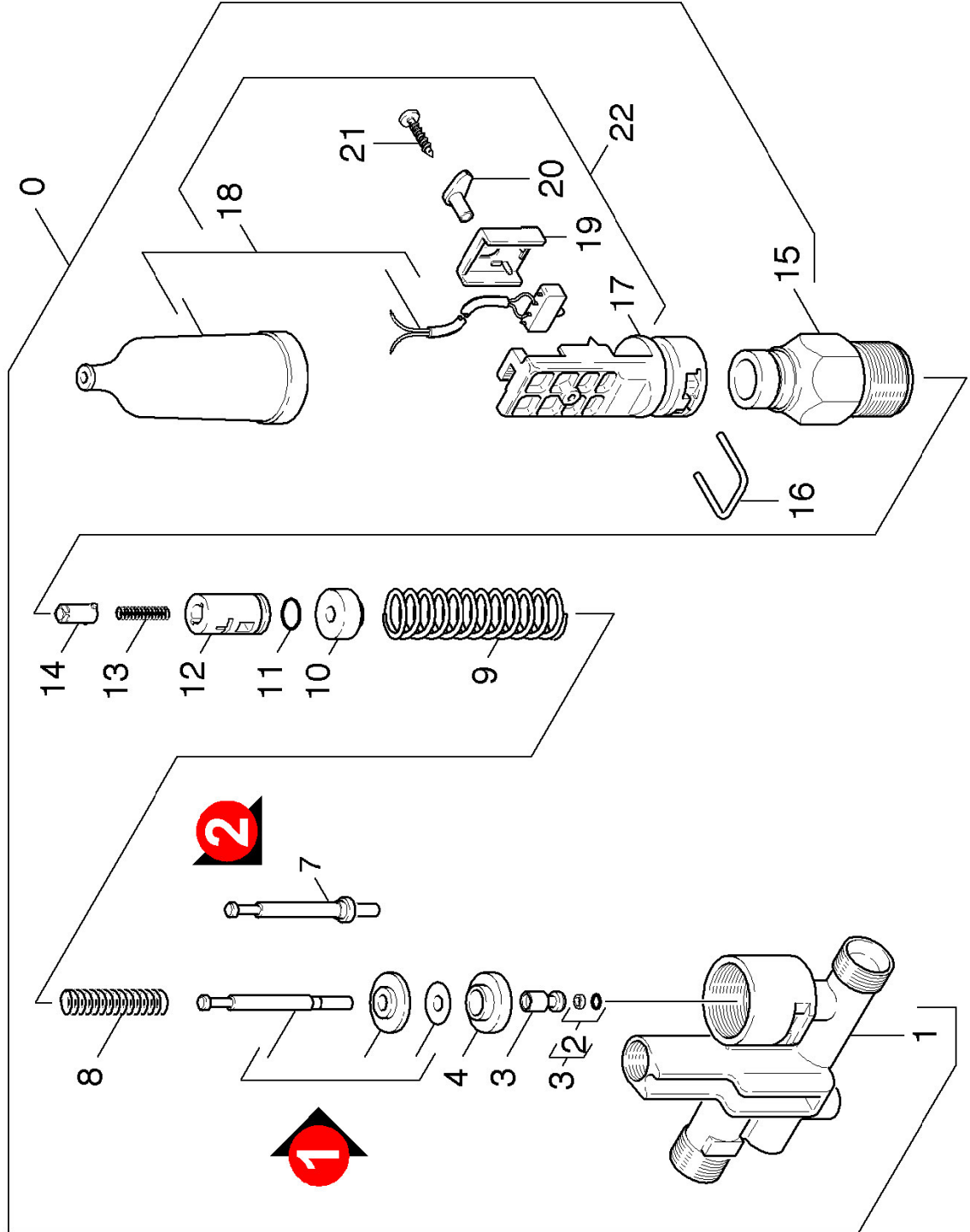
1	Cover	50633570	1		
2	Helical spring	53320010	1		
3	CONTAINER RECEPTACLE	40701230	1		
4	O-Ring seal 6,0 X 2,0	63621130	1		
5	Solenoid valve	66858450	1		

9.0 Safety system

- 9.1 Pressure switch
- 9.2 Reed switch



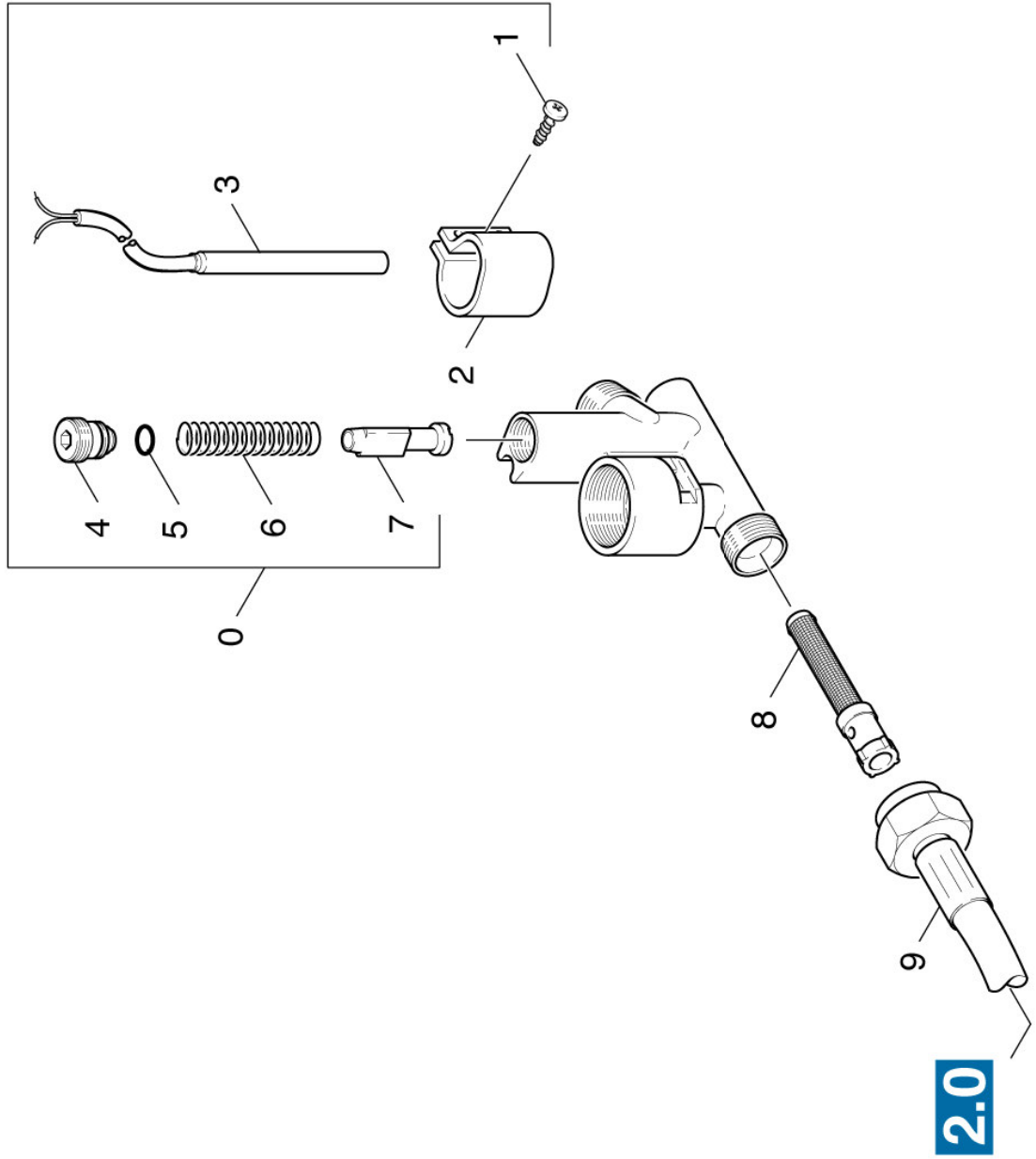
9.1 Pressure switch



9.1 Pressure switch

POS	DESCRIPTION ADDITIONAL INFORMATIONS	PART NO	QTY.	FROM SER.NR.	UP TO SER. NR.
0	Safety system	47491240	1		
1	Housing	50604780	1		
2	O-Ring seal complete /1ST.-R.	63623680	1		
3	Piston	45530250	1		
4	Washer	51151470	1		
7	Bar	51071920	1		
8	Helical spring	53323150	1		
9	Helical spring	53320690	1		
10	Bush	51124490	1		
11	O-Ring seal 12,0 X 2,0	63621690	1		
12	Piston	55532650	1		
13	Helical spring	53322930	1		
14	Bolt spring	53162780	1		
15	Housing	50604140	1		
16	Hook	50370800	1		
17	Holder	50426180	1		
18	Micro switch	66317510	1		
19	Holder	50427280	1		
20	Bolt	53162840	1		
21	Screw 4x20 -A2-70 (In6Rd)	73031170	1		
22	Switch safety system	47440890	1		

9.2 Reed switch



9.2 Reed switch

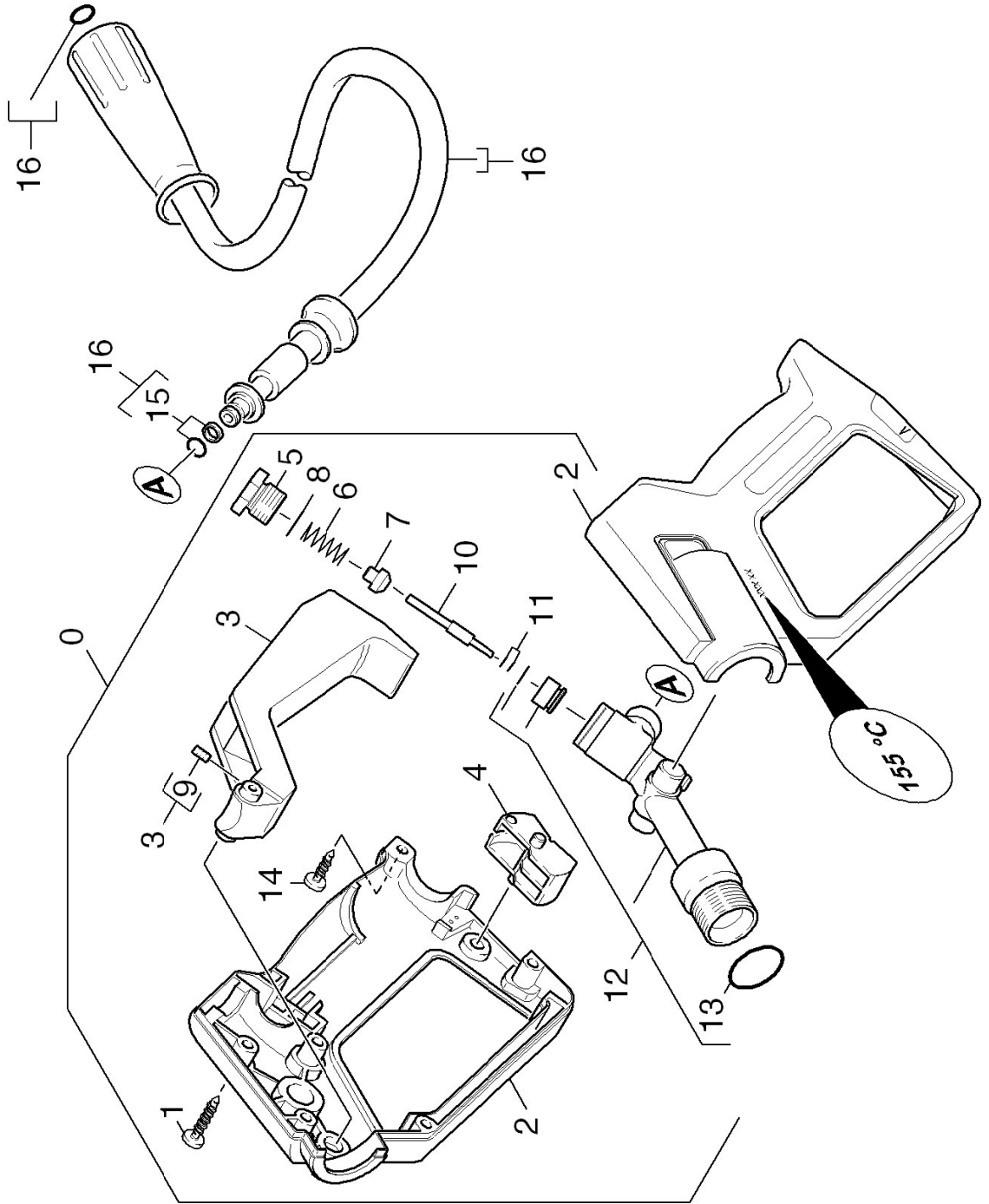
POS	DESCRIPTION ADDITIONAL INFORMATIONS	PART NO	QTY.	FROM SER.NR.	UP TO SER. NR.
0	Safety system	47491240	1		
1	M4 .2X13 DIN 7981 TORX T15 PAN HD HI/LO	63031220	1		
2	Clamp	50410760	1		
3	Reed switch replacement	28833840	1		
4	Shaped screw	53051620	1		
5	O-Ring seal 10 x 1,5-NBR 70	63624820	1		
6	Helical spring	53320570	1		
7	Piston	45530220	1		
8	Strainer	64144360	1		
9	High pressure hose DN 8	63889100	1		

10.0 ACCESSORIES

10.1 TRIGGER GUN
10.2 JET PIPE



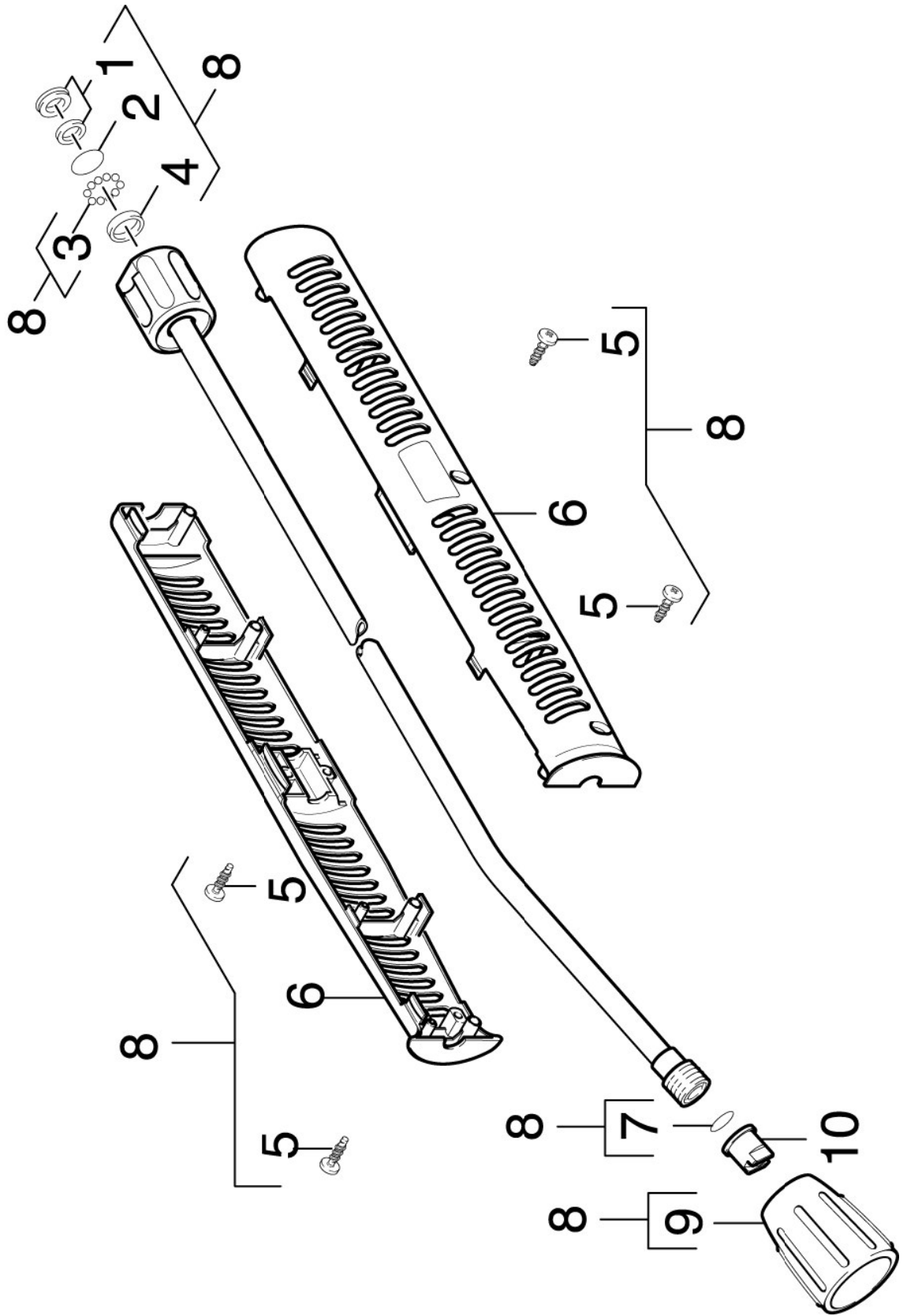
10.1 TRIGGER GUN



10.1 TRIGGER GUN

POS	DESCRIPTION ADDITIONAL INFORMATIONS	PART NO	QTY.	FROM SER.NR.	UP TO SER. NR.
0	Hand trigger gun replacement / 1.979-701.0	47750800	1		
1	Screw 4x22 -ST-10.9-R2R (IN6RD)	73030960	6		
2	Handhold few	53212300	1		
3	Lever / 1.979-701.0	44810500	1		
4	Lever	54810520	1		
5	Screw plug	54110670	1		
6	Helical spring	53321570	1		
7	VALVE HEAD	55820840	1		
8	O RING	63625840	1		
9	Threaded pin M8x16 -45H-A2E ISO 4026	73074170	1		
10	ROD	51070970	1		
11	ORING COMPLETE	63625710	1		
12	Manifold / 1.979-701.0	44271310	1		
13	O-Ring seal 17,12X 2,62-NBR 70	63624960	1		
14	Oval head screw 4,2x16-St-vz	63030250	1		
15	O-Ring seal complete 1ST.-R.	63631150	1		
16	High pressure hose DN6	63898530	1		
17	Spare part set O-Ring seal 5x-Kaercher	28802960	1		
100	Spare part set 1450HW,1500HWS+SUPE	28831920	1		

10.2 JET PIPE



10.2 JET PIPE

POS	DESCRIPTION ADDITIONAL INFORMATIONS	PART NO	QTY.	FROM SER.NR.	UP TO SER. NR.
1	Grooved ring complete 1ST.R.	63625320	1		
2	O-Ring seal 17,0 X 1,5	63625240	1		
3	Sphere 4 G20 -1.4034 DIN 5401	74019210	12		
4	Joint ring 12x1,5	63625290	1		
5	Oval head screw 4,2x16-St-vz	63030250	4		
6	HANDLE (PART NO=ONE HALF)	53211500	2		
7	Spare part set O-Ring seal 5x-Kaercher	28802960	1		
8	Jet pipe complete 1050mm	47605500	1		
9	Screw connector part	54011290	1		
10	Power nozzle 25040	28833970	1		
10	Power nozzle 25045 / 1.852-402.0	28833980	1		