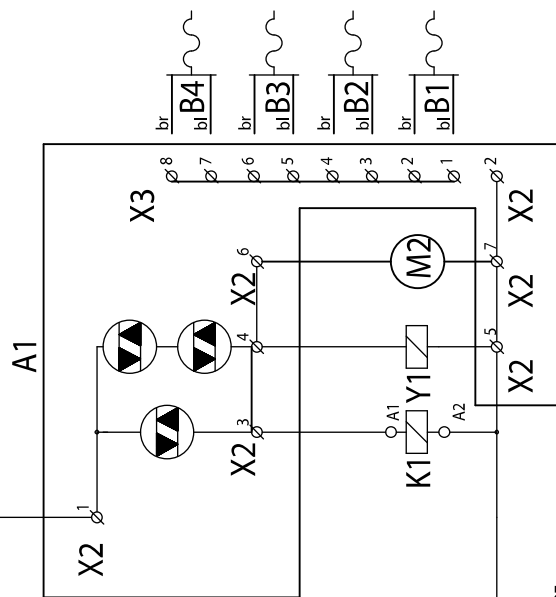


Kontaktstilling
Switch position
Schaltstellung
Position l'interrupteur

| Pos. nr. | Type/farve | KEW nr. | Fra -> til |
|----------|---------------------|---------|-----------------|
| 200 | H05V-K 1.0 sort | 6350602 | X1.L1 -> T2 |
| 200 | H05V-K 1.0 sort | 6350602 | X1.L3 -> T2 |
| 201 | H07V-K 1x2.5 sort | 6100328 | X1.L1 -> K1.1 |
| 201 | H07V-K 1x2.5 sort | 6100328 | X1.L2 -> K1.3 |
| 201 | H07V-K 1x2.5 sort | 6100328 | X1.L3 -> K1.5 |
| 202 | H05V-K 1.0 rød | 3812690 | T2 -> F1 |
| 203 | H05V-K 1.0 rød | 3812773 | T2 -> K1.A2 |
| 204 | H05V-K 1.0 rød | 3812708 | F1 -> S1.4 |
| 205 | H05V-K 1.0 rød | 3811742 | K1.14 -> S1.3 |
| 206 | H05V-K 1.0 rød | 3811445 | K1.A2 -> X2.2 |
| 207 | H05V-K 1.0 rød | 3810561 | K1.A1 -> X2.3 |
| 209 | H07V-K 1x2.5 gul/gr | 3812757 | X1.10 -> el-box |
| 210 | H07V-K 1x2.5 gul/gr | 3812765 | M1 -> X1.1 |
| 211 | H07V-K 1x2.5 sort | 3810470 | X1.1 -> K1.6 |
| 211 | H07V-K 1x2.5 sort | 3810470 | X1.2 -> K1.4 |



- | | | | | | |
|--------------|-----------------------------|-------------------------|-------------------------|---------------------------|-------------------------|
| DANSK | Ikke mærkede ledninger: rød | ENGLISH | Non marked wires: red | FRANCAIS | Cables nonnommes: Rouge |
| br | Brown | Brown | Brown | Brun | Brown |
| bl | Blå | Blue | Blue | Bleu | Blue |
| so | Svart | Black | Black | Noir | Black |
| S1 | Styringsprint | PCB for control | Phase sequence monitor | Commande electronique | Suite des phases |
| B1,B2 | Følgesikring | Flow sensor | Strømløse kontrol | Contrôle de bit d'eau | Interrupteur flotteur |
| B3 | Strømningskontrol | Niveau-sensor | Niveau-kontrol | Détecteur de temperature | |
| B4 | Niveaukontrol | Termoøler | Thermoøler | Fusible | |
| F1 | Smelteskiring | Fuse (melting) | Sicherung | Sonde thermique du moteur | |
| F2 | Termoøler i motor | Winding motor protector | Motor Winding protector | Relais | |
| K1 | Kontakt | Contactor | Contacteur | Moteur | |
| M1 | Hovedmotor | Main motor | Haupt motor | Pumpe de dosage | |
| M2 | Doserpumpe | Dosing pump | Dosierpumpe | Resistance ohmique | |
| R1 | Modstand | Ohmic resistance | Widerstand | Interrupteur a rotation | |
| S1 | Drejekontakt | Rotary switch | Drehschalter | Transformateur | |
| T2 | Tårn-trafo | Ignition trafo | Zünd-trafo | Barrette de raccordement | |
| X1,X2,X3 | Styrer-trafo | Terminal strip | Klemmen-Reihe | Vanne magnetique | |
| Y1 | Klemme | Magnet valve | Magnet ventill | | |

| Afd. | Stk. |
|------|------|
| PU | 1 |
| MT | 1 |
| PLA | 1 |
| IK | 1-09 |
| IQ | 1 |
| TSU | 1 |
| TGD | 1 |

| | | | |
|------------------|----------|------------------|---------|
| Materialer nr. | | Materialer nr. | |
| Målform. | Ingn. | HIN | HIN |
| - | 88.01.18 | 88.01.18 | HSC |
| Produkt | | Produkt | |
| 02V (A) | 03V (A) | 02V (A) | 03V (A) |
| CAD | | CAD | |
| DK-9560 Hadsund | | DK-9560 Hadsund | |
| Tlf. 99 52 21 00 | | Tlf. 99 52 21 00 | |
| Ersætter af | | Ersætter af | |
| 6424011a | | 6424011a | |
| Standard | | Standard | |

ALTO
3-faset TFC-SMD
El-diagram