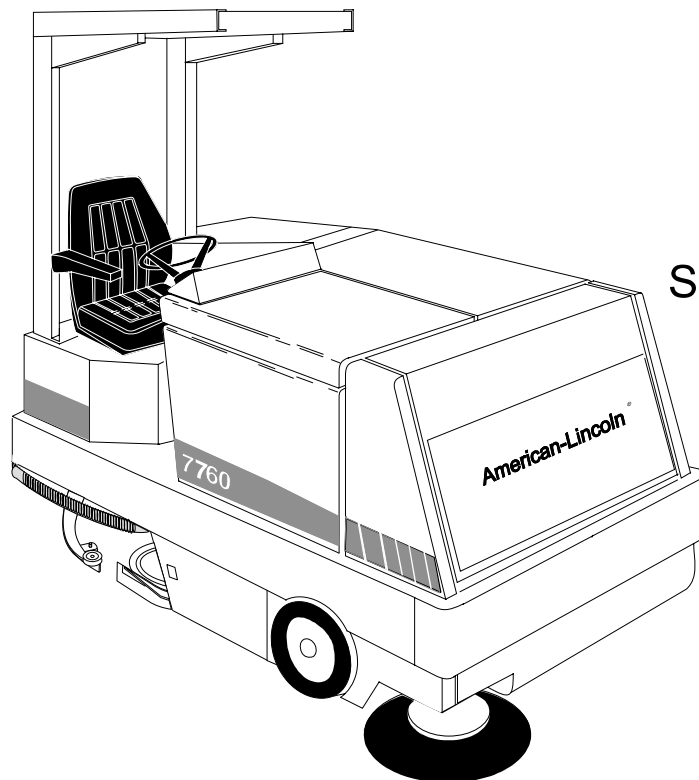




# AMERICAN-LINCOLN TECHNOLOGY

Operator's Manual  
Instruction Book  
and Parts List



Model 7760  
Sweeper/scrubber

Beginning with Serial No. 752819

## READ THIS BOOK

This book has important information for the use and safe operation of this machine. Failure to read this book prior to operating or attempting any service or maintenance procedure to your machine could result in injury to you or to other personnel; damage to the machine or to other property could occur as well. You must have training in the operation of this machine before using it. If you or your operator (s) cannot read English, have this manual explained fully before attempting to operate this machine.

Si Ud. o sus operadores no pueden leer el Inglés, se hacen explicar este manual completamente antes de tratar el manejo o servicio de esta máquina.

All directions given in this book are as seen from the operator's position at the rear of the machine.

For new books, write to: Alto U.S., Inc., 1100 Haskins Road, Bowling Green, Ohio 43402



## TABLE OF CONTENTS - CHAPTER 2

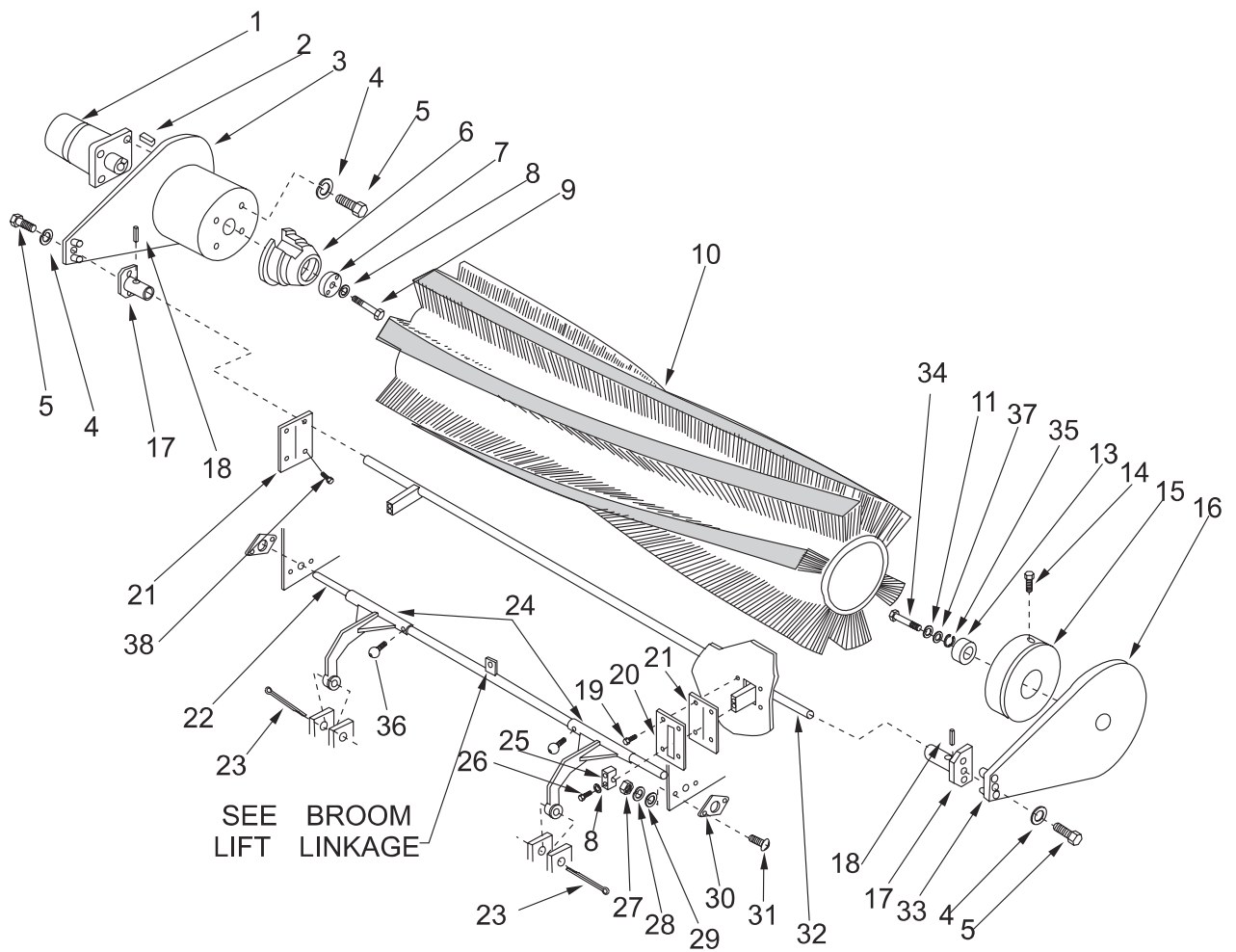
Main Broom .....	2-2
Main Broom Lift Linkage .....	2-6
Side Broom (Variable Dump) .....	2-8
Broom and Brush Chamber Door .....	2-10
Hopper System (Manual Dump) .....	2-12
Hopper and Flaps (Variable Dump) .....	2-14
Hopper Filter and Impeller .....	2-16
Hopper Control Valve & Hopper Dump Linkage (Variable Dump) .....	2-18
Scrub Deck and Brushes .....	2-20
Scrub Deck Solution Feed (60") .....	2-24
Rear and Side Squeegees .....	2-26
Squeegee Lift .....	2-30
Swing Squeegee Support .....	2-32
Solution Tank .....	2-34
Solution Feed Linkage .....	2-36
Recovery Tank .....	2-40
Recovery Tank Lid .....	2-42
Vacuum Motor & Float .....	2-44
Front Wheel and Brake .....	2-46
Rear Wheel .....	2-48
Brake Linkage .....	2-50
For/Rev Control – Ford .....	2-52
For/Rev Control – Perkins .....	2-54
Main Frame .....	2-56
Driver Compartment .....	2-58
Hydraulic Hose (Variable Dump) .....	2-60
Hydraulic Hose (Manual Dump) .....	2-62
Suction & Return Hoses Variable Dump) .....	2-64
Suction & Return Hoses (Manual Dump) .....	2-66
Main Broom and Fittings .....	2-68
Side Broom and Fittings .....	2-69
Scrub Motors and Fittings .....	2-70
Squeegee and Scrub Deck Cylinders and Fittings .....	2-71
Power Steering, Hooper Dump & Hopper Lift Cyl's and Fittings .....	2-72
Rear Wheel Motors and Fittings .....	2-74
Hydraulic Reservoir, Filter, and Fittings .....	2-76
Drive Pump and Fittings .....	2-78
Vacuum Motor and Fittings .....	2-79
Dust Control Impeller and Fittings .....	2-80
Power Steering Unit and Fittings .....	2-81
Main Control Valve and Fittings .....	2-82
Cylinder Control Valve and Fittings .....	2-83
Return Manifold and Fittings .....	2-84
Oil Cooler & Fittings .....	2-85
Auxiliary Pump and Fittings - Ford .....	2-86
Auxiliary Pump and Fittings – Perkins .....	2-87
Battery .....	2-88
Engine Cover .....	2-90
Fuel Tank .....	2-92
Ford Gas Engine .....	2-94
Perkins Diesel Engine .....	2-96
Ford Throttle, Choke and Fuel Pump .....	2-98
Diesel Fuel and Water Extractor .....	2-100
Air Intake – Ford .....	2-102
Air Intake – Perkins .....	2-104
Exhaust System, Gas and LP – Ford .....	2-106
Exhaust System, Diesel – Perkins .....	2-107
Radiator and Shroud .....	2-108
Steering and Instrument Panel .....	2-110
Instrument Panel .....	2-112
Instrument Panel ( Manual Dump) .....	2-114
Wiring Parts List – Ford 423 (Variable Dump) .....	2-116
Wiring Parts List – Perkins (Variable Dump) .....	2-118
Wiring Parts List – Ford 423 (Manual Dump) .....	2-120
Wiring Parts List – Perkins (Manual Dump) .....	2-122
Decals .....	2-124

## MAIN BROOM - PARTS LIST

<u>KEY NO.</u>	<u>PART NUMBER</u>	<u>DESCRIPTION</u>	<u>QTY</u>
1	0882-040	Hydraulic Motor, Broom Drive	1
2	2-00-03838	Key, .250 x 1.000 (#15) W	1
3	8-16-00041	Drive Broom Arm	1
4	2-00-02310	Lock Washer, Helical Spring 3/8 Med	6
5	2-00-00232	Screw, 3/8 - 14 x .750 HHC	6
6	8-33-09046-1	Broom Driver Hub	1
7	8-58-05160	Hub Locking Plate	1
8	2-00-00518	Lock Washer, Helical Spring 1/4 Med	7
9	2-00-03039	Screw, 1/4 - 20 x .625 HSHC	3
10		See Broom Options	
11	2-00-00522	Lock Washer, Helical Spring 3/4 Light	1
12			
13	2-00-04889	Bearing	1
14	2-00-04886	Screw, 3/8 - 16 x .500 HSHC	2
15	8-33-09090	Idler	1
16	8-16-00039	Idler Arm	1
17	7-15-01035	Pivot Collar Weldment	2
18	2-00-04943	Spring Pin, 3/8 x 1 1/2	2
19	2-00-00221	Screw, 1/4 - 20 x .750 HHC	8
20	7-16-07274	Cover Plate Gasket	2
21	7-29-00148	Broom Arm Gasket	3
22	7-70-05137	Shaft	1
23	7-55-08119	Lift Pin, with Cotter Pin	2
24	7-03-04151	RH Arm Assembly	1
	7-03-04152	LH Arm Assembly	1
25	7-13-07103	End Clamp	2
26	2-00-02587	Screw, 1/4 - 20 x 1.250 HHC	4
27	2-00-00586	Nut, Hex Jam 5/16 - 18 .500 x .187	4
28	2-00-00530	Lock Washer, Helical Spring 5/16 Med	4
29	2-00-05103	Flat Washer SS, .750 x .343 x .050	4
30	2-00-03997	Flange Bearing, 3.750 x 1.000	2
31	2-00-00196	Carriage Bolt, 5/16 - 18 x 1.000	4
32	7-70-05138	Broom Chamber Shaft Weldment	1
33	8-55-08098	Dowel Pin	4
34	2-00-04887	Screw, 3/4 - 10 x 1.250 HHC	1
35	2-00-04890	Retaining Ring, 3.341 Int.	1
36	2-00-02558	Lubrication Fitting, 45° 1/8 NPT	2
37	8-75-01157	Flat Washer, 3/4	1
38	2-00-00432	Screw, 1/4-20 x .50	4

P-4738/9510

# MAIN BROOM - EXPLODED VIEW



P4738/9606

## MAIN BROOM (60") - PARTS LIST

<u>KEY NO.</u>	<u>PART NUMBER</u>	<u>DESCRIPTION</u>	<u>QTY</u>
1	2-00-03997	Bearing, Flangette (1 in. dia.)	2
2	7-70-05137	Shaft	1
3	7-70-05138	Broom Chamber Shaft	1
4	7-13-07103	End Clamp	2
5	7-15-01035	Pivot Collar	2
6	2-00-04943	Pin, 3/8 x 1½ Spring	2
7	8-16-00041	Drive Broom Arm (Weldment)	1
8	8-16-00039	Broom Arm (Weldment)	1
9	7-29-00148	Gasket, Broom Arm	3
10	7-16-07274	Gasket Plate	2
11	0882-040	Hydraulic Motor, Main Broom	1
12	8-33-09046-1	Hub, Broom Driver	1
13	8-58-05160	Broom Driver Locking Plate	1
14	2-00-03838	Key, 1 x 1¼ Woodruff	1
15	2-00-04889	Bearing, Main Broom Idler	1
16	8-33-09090	Idler, Main Broom (machined)	1
17	2-00-04890	Retaining Ring, Main Broom Idler	1
18	8-75-01157	Thrust Washer	1

### HARDWARE USED:

H14	2-00-00219	Screw, ¼ - 20 x .500 HHC	4
H15	2-00-00221	Screw, ¼ - 20 x .750 HHC	8
H19	2-00-02587	Screw, ¼ - 20 x 1.250 HHC	4
H36	2-00-00196	Carriage Bolt, 5/16 - 18 x 1.00	4
H44	2-00-00530	Lock Washer, 5/16 HS Med.	4
H47	2-00-00232	Screw, 3/8 - 16 x .750 HHC	10
H53	2-00-02310	Lock Washer, Helical Spring 3/8 Med.	10
H72	2-00-00518	Lock Washer, Helical Spring	7
H106	2-00-04886	Screw, 3/8 - 16 x .500 HSHC	2
H107	2-00-04887	Screw, Main BroomControl	1
H109	2-00-00522	Lock Washer, ¾ Helical Spring	1
H110	2-00-03039	Screw, ¼ - 20 x .625 HSHC	3
H209	2-00-00586	Nut, Hex Jam 5/16 - 18 x .500 x .187	4
H303	2-00-05103	Flat Washer, .750 x .343 x .050 SS	4

C1014/9903



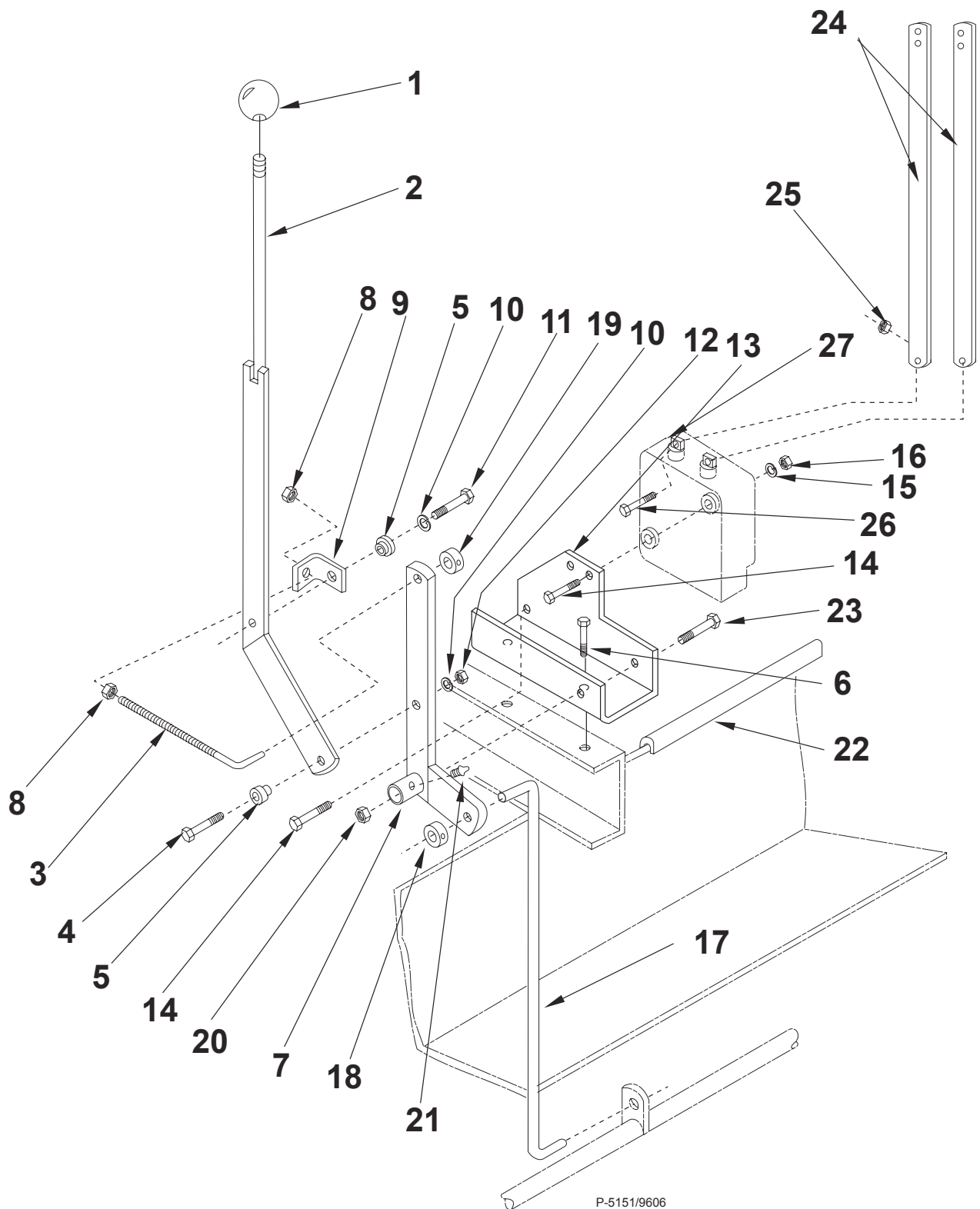
## MAIN BROOM LIFT LINKAGE - PARTS LIST

---

<u>KEY NO.</u>	<u>PART NUMBER</u>	<u>DESCRIPTION</u>	<u>QTY</u>
1	8-39-00003	Knob	2
2	7-41-05082	Main Broom Lever	1
3	7-66-00142	Adjusting Rod	1
4	2-00-00207	Screw, 5/16-18 x 1-1/4	1
5	7-09-01057	Spacer	2
6	2-00-01255	Screw, 5/16 - 18 x .875 HHC	2
7	7-17-00012	Crank	1
8	2-00-02369	Nut, Hex Jam 3/8 - 16 x .562 x .218	2
9	7-08-00493	Broom Lever Bracket	1
10	2-00-00530	Lock Washer, Helical Spring 5/16 Med	2
11	2-00-00208	Screw, 5/16 - 18 x .750 HHC	1
12	2-00-00585	Nut, Hex 5/16 - 18 x .500 x .265	1
13	7-89-06700	Hopper Valve Bracket	1
14	2-00-02589	Screw, 1/4 - 20 x 2.0 HHC	2
15	2-00-00518	Lock Washer, Helical Spring 1/4 Med	2
16	2-00-00594	Nut, Hex 1/4 - 20 x .437 x .218	2
17	7-42-05086	Broom Lift Link	1
18	2-00-03589	Setscrew Collar, 1.000 x .5000 x .437	1
19	7-15-01022	Setscrew Collar, .750 x .378 x .375	1
20	2-00-04936	Nut, Hex Fiber Insert 1/2 - 13	1
21	2-00-00566	Lubrication Fitting, Straight 1/8 NPT	1
22	7-21-04030	Edging	1
23	2-00-05059	Screw, 1/2-13 x 3.750 HHC	2
24	7-42-05084	Link	2
25	2-00-00605	Nut, #10-24 Fiber Lock	2
26	2-00-00056	Screw, #10-24 x 3/4 RHM	2
27	8-88-00053	Control Valve	1

P-5151/9608

# MAIN BROOM LIFT LINKAGE - EXPLODED VIEW



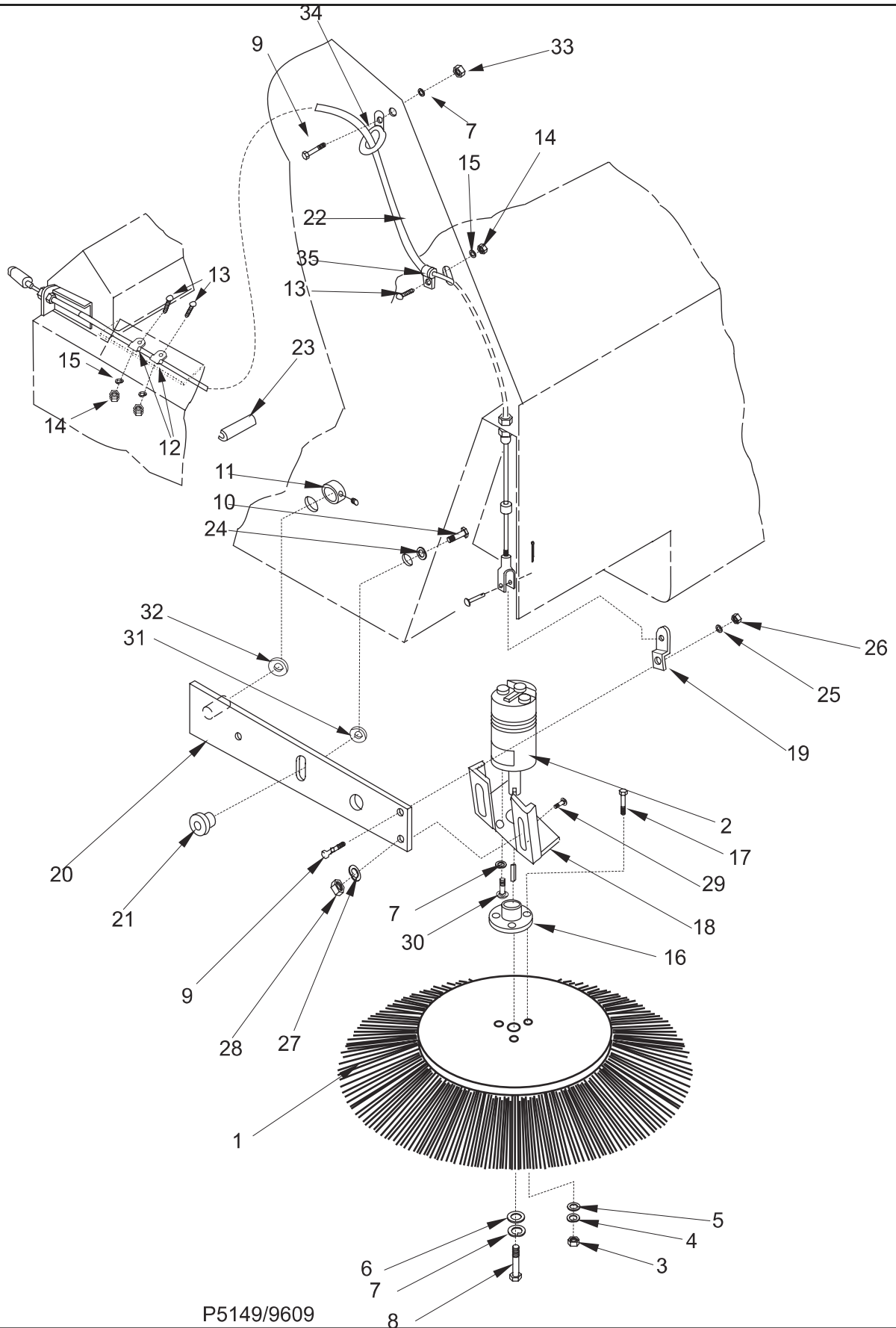


## SIDE BROOM (VARIABLE DUMP) - PARTS LIST

<u>KEY NO.</u>	<u>PART NUMBER</u>	<u>DESCRIPTION</u>	<u>QTY</u>
1	8-08-03107	Side Broom	1
2	0885-061	Hydraulic Broom Drive Motor	1
3	2-00-00585	Nut, Hex 5/16 - 18 x .500 x .265	3
4	2-00-00530	Lock Washer, Helical Spring 5/16 Med	3
5	2-00-00409	Washer, Flat 5/16	2
6	2-00-00447	Flat Washer, .562 x .265 x .187	1
7	2-00-00518	Lock Washer, Helical Spring 1/4 Med	5
8	2-00-03537	Screw, 1/4 - 28 x 2.000 HHC	1
9	2-00-00221	Screw, 1/4-20 x .75	2
10	2-00-00232	Screw, 3/8 - 16 x .750 HHC	1
11	8-15-01003	Setscrew Collar, 1.250 x .750 x .562	1
12	2-00-04210	Clamp	2
13	2-00-00049	Screw, #10 - 24 x .500 RHM	3
14	2-00-00605	Nut, Hex MS #10-24 x .375 x .12	3
15	2-00-00512	Lock Washer, #10 Int.	3
16	7-25-06038	Flange	1
17	2-00-00218	Screw, 5/16 - 18 x 2.000 HHC	3
NS	0880-293	Seal Kit- 0880-293 (Up to Serial Number 750056)	1
NS	0780-144	Seal Kit- 0880-293 (Serial No. 750056 & Above)	1
18	7-08-00841	Bracket, Side Broom	1
19	7-79-00092	Strap	1
20	7-03-04153	Side Broom Arm Weldment	1
21	7-09-01134	Bushing	1
22	7-10-00029	Cable	1
23	8-21-04030	Edging	1
24	2-00-02310	Lock Washer, Helical Spring 3/8 Med	1
25	2-00-03702	Washer, Flat .625 x .281 x .063	1
26	2-00-00641	Nut, 1/4-20 Hex Fiber Lock	1
27	2-00-02303	Lock Washer, 5/16 Int. Tooth	2
28	2-00-00585	Nut, Hex 5/16-18	2
29	2-00-03569	Carriage Bolt, 5/16-18	2
30	2-00-05350	Screw, 1/4-28 x .63	3
31	2-00-03979	Washer, 1.00 x .391 x .06	1
32	2-00-03808	Washer, 1.50 x .750 x .06	1
33	2-00-00594	Nut, Hex MS 1/4-20 x .125	1
34	2-00-04603	Clamp	1
35	2-00-04378	Clamp	1

P-5149/9609

# SIDE BROOM (VARIABLE DUMP) - EXPLODED VIEW



P5149/9609

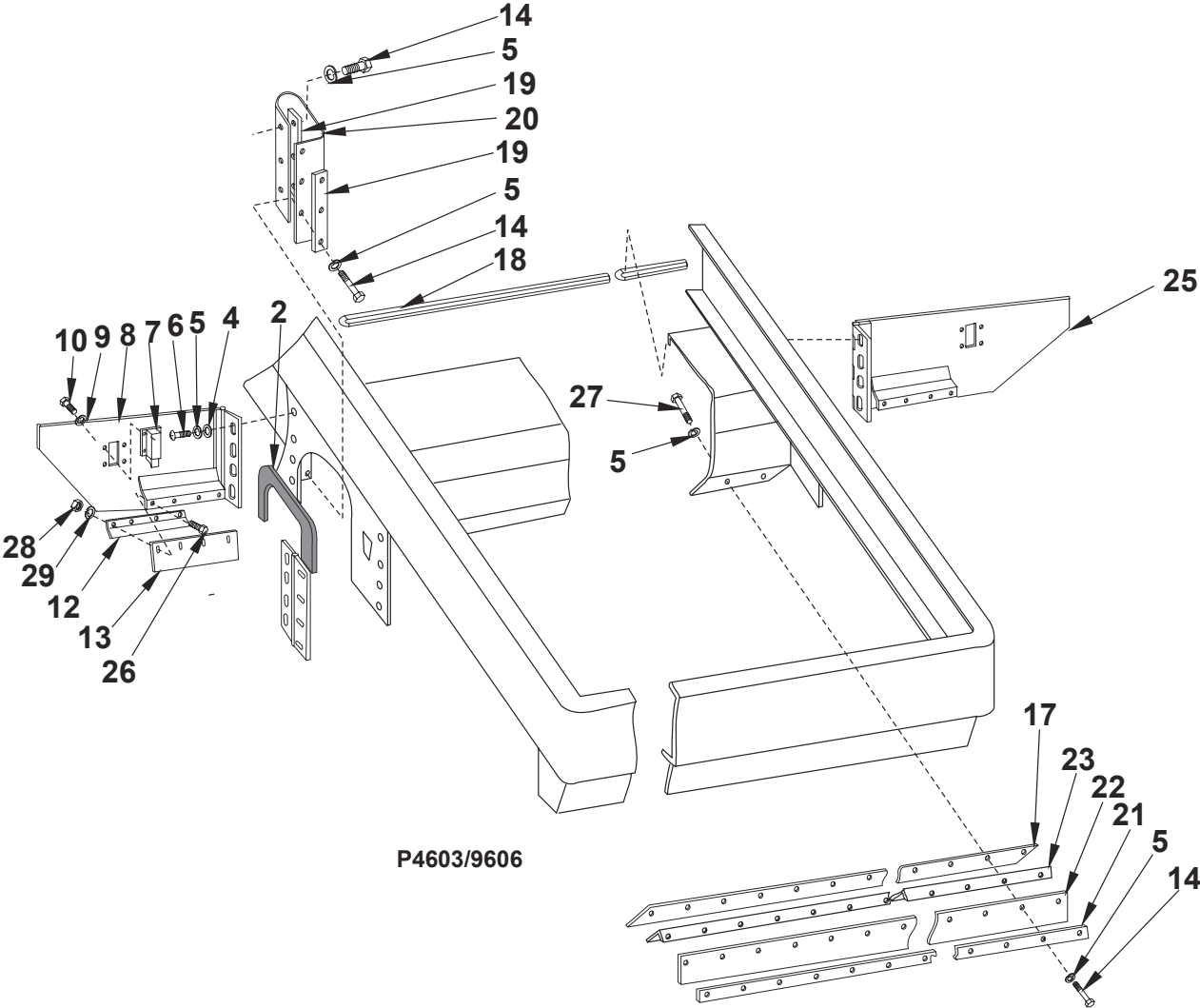
## BROOM & BRUSH CHAMBER DOOR - PARTS LIST

---

<u>KEY NO.</u>	<u>PART NUMBER</u>	<u>DESCRIPTION</u>	<u>QTY</u>
1			
2	7-29-00226	Main Broom Door Gasket	2
3			
4	2-00-00407	Flat Washer, .687 x .343 x .062	8
5	2-00-00518	Lock Washer, Helical Spring 1/4 Med	33
6	2-00-04880	Screw, 1/4 - 20 x .750 BHS	8
7	8-41-00032	Flush Mount Latch	2
8	7-19-08052	Left Hand Broom Chamber Door	1
9	2-00-00529	Lock Washer, Helical Spring #8 Med	8
10	2-00-01081	Screw, #8 - 32 x .500 T/C RH	8
11			
12	7-79-00056	Door Flap Strap	2
13	7-25-08033	Broom Chamber Door Flap	2
14	2-00-00221	Screw, 1/4 - 20 x .750 HHC	25
15			
16			
17	7-25-08036	Front Broom Chamber Flap	1
18	7-29-00147	Gasket	1
19	7-79-00055	Broom Chamber Strap	4
20	7-25-08034	Broom Chamber Flap	2
21	7-79-00054	Broom Chamber Flap Strap	1
22	7-25-08032	Broom Chamber Flap	1
23	7-08-00487	Flap Bracket Weldment	1
24			
25	7-19-08053	Right Hand Broom Chamber Door	1
26	2-00-04190	Carriage Bolt, 1/4 - 20 x .63	8
27	2-00-01490	Screw, 1/4 - 20 x .875 HHC	13
28	2-00-00589	Nut, 1/4-20 Hex	8
29	2-00-00501	Washer, 1/4 Lock	8

P-4603/9606

**BROOM & BRUSH CHAMBER DOOR - EXPLODED VIEW**

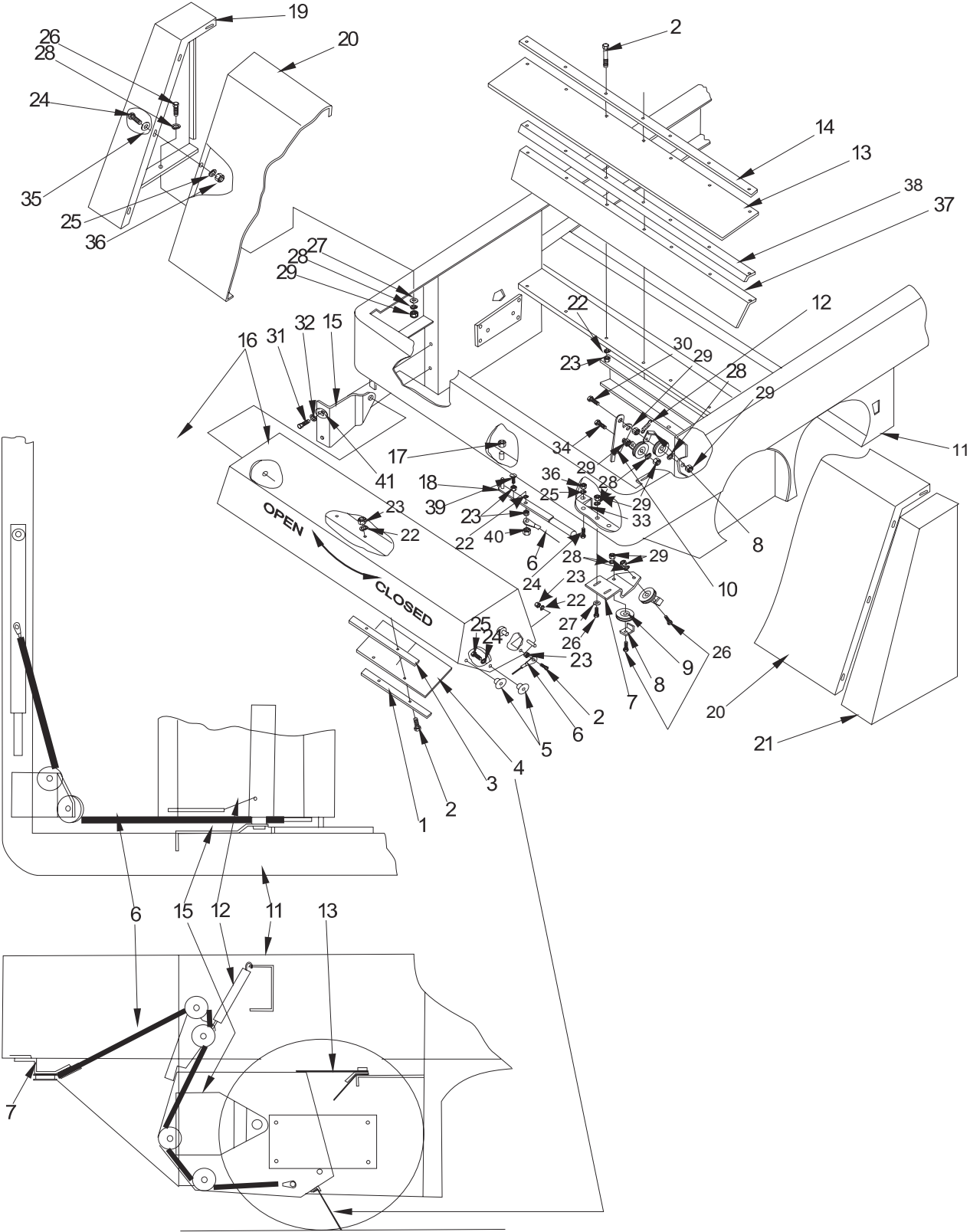


## HOPPER SYSTEM (MANUAL DUMP) - PARTS LIST

<u>KEY NO.</u>	<u>PART NUMBER</u>	<u>DESCRIPTION</u>	<u>QTY</u>
1	7-79-00091	Hopper Flap Strap	4
2	2-00-00205	Screw, 1/4-20 x 1.000 HHC	15
3	7-13-07169	Hopper Flap Clamp	4
4	7-25-08050	Hopper Flap	4
5	7-30-08013	Cable Guide	2
6	7-10-00027	Hopper Lift Cable	1
7	7-08-00860	Pulley Mounting Bracket	1
8	7-13-07170	Cable Retainer Clip	4
9	7-60-00160	Cable Pulley	4
10	7-41-00029	Hopper Latch	1
11	7-27-07174	Main Frame	1
12	8-76-00045	Spring	1
13	7-25-08051	Baffle Flap	1
14	7-13-07131	Baffle Clamp	1
15	7-08-00861	Hopper Pivot Plate	2
16	7-32-06019	Hopper	1
17	2-00-03589	Collar	1
18	7-31-06073	Hopper Dump Handle	1
19	7-16-07340	Right Hand Cover	1
20	7-16-07341	Center Cover	1
21	7-16-07339	Left Hand Cover	1
22	2-00-00518	Lock Washer, 1/4 Helical Spring	17
23	2-00-00594	Nut, Hex 1/4-20	19
24	2-00-01255	Screw, 5/16-18 x .875 HHC	11
25	2-00-00530	Lock Washer, 5/16 Helical Spring	11
26	2-00-00209	Screw, 3/8-16 x 1.250 HHC	8
27	2-00-00402	Flat Washer, 3/8 Bs	10
28	2-00-02310	Lock Washer, 3/8 Helical Spring	8
29	2-00-02360	Nut, Hex 3/8-16	14
30	2-00-02711	Screw, 3/8-16 x2.750 HHM	1
31	2-00-00240	Screw, 1/2-13 x 1.250 HHC	4
32	2-00-02312	Lock Washer, 1/2 Helical Spring	4
33	7-41-00031	Handle Latch	1
34	2-00-00235	Screw, 3/8-16 x 1.750 HHC	1
35	2-00-00409	Flat Washer, 5/16 BS	8
36	2-00-00585	Nut, Hex 5/16-18	9
37	7-25-08052	Lower Baffle Flap	1
38	7-13-07136	Lower Baffle Clamp	1
39	2-00-00198	Carriage Bolt, 1/4-20 x 2.000	1
40	2-00-00641	Nut, Fiber Lock 1/4-20	1
41	2-00-00405	Flat Washer 1/2 B.S	4

C-0355/9606

HOPPER SYSTEM (MANUAL DUMP) - EXPLODED VIEW



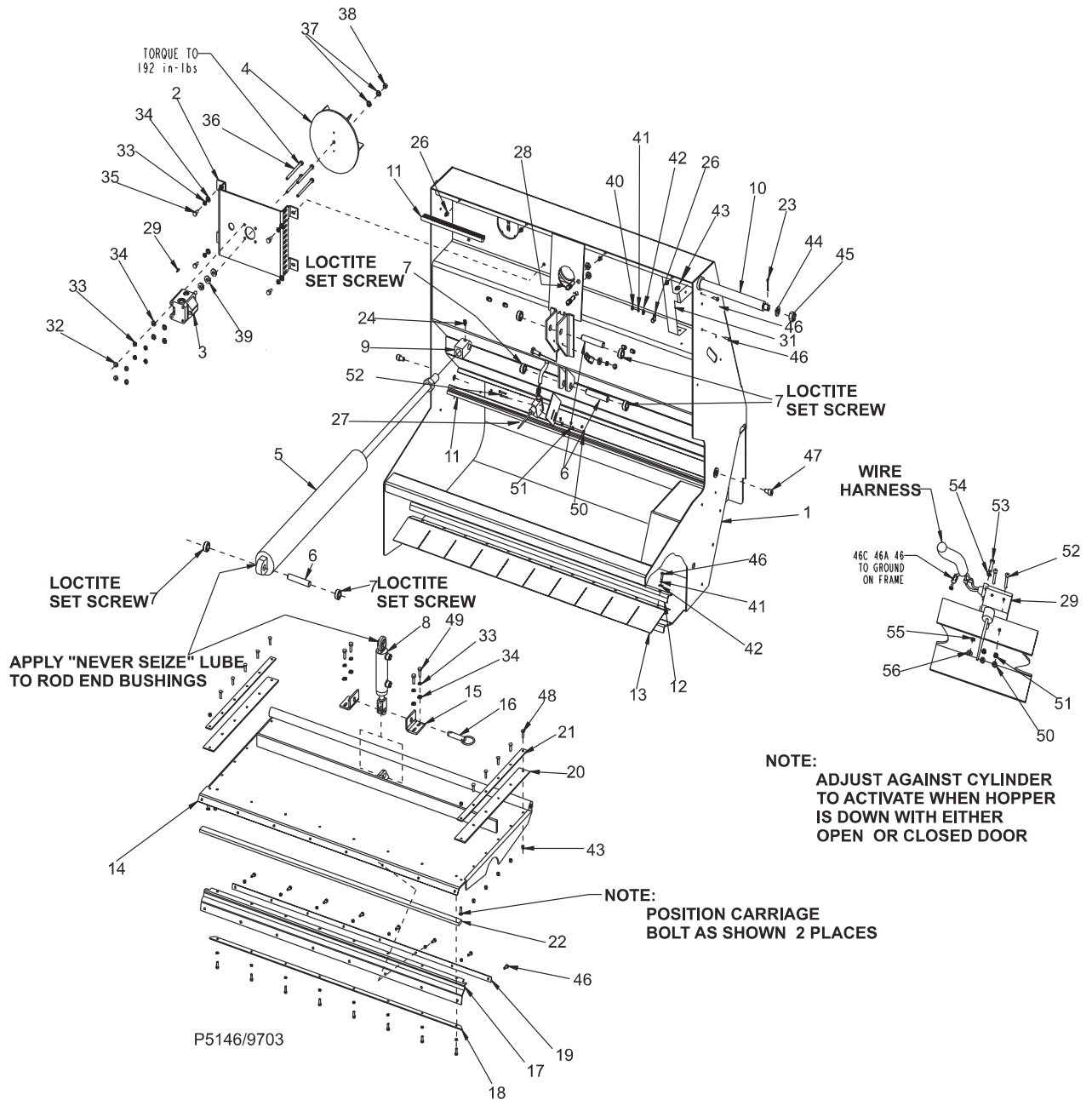
C-0355/9606

## HOPPER & FLAPS (VARIABLE DUMP) - PARTS LIST

KEY NO.	PART NUMBER	DESCRIPTION	QTY
1	7-32-06017	Hopper	1
2	7-08-00840	Bracket, Impellor Mounting and Guard	1
3	0882-041	Vac Fan Motor	1
4	8-23-00012	Impellor	1
5	7-17-05013	Cylinder	Ref.
6	7-55-08117	Pin	3
7	8-15-01003	Collar	6
8	7-17-05020	Cylinder	Ref.
9	8-14-01010	Rod End	1
10	7-55-08127	Rod	1
11	7-29-00233	Dump Door Gasket	2
12	2-00-00491	Grommet	1
13	7-13-07162	Hopper Flap Clamp	1
14	7-25-08068	Hopper Flap	1
15	7-19-08054	Hopper Dump Door	1
16	7-08-00842	Bracket	2
17	7-55-08121	Pin	1
18	7-68-05019	Outer Door Seal	1
19	7-79-00090	Inner Seal Strap	1
20	7-79-00089	Outer Seal Strap	1
21	7-68-05014	Seals, Side Door	2
22	7-13-07160	Door Side Seal Clamp	2
23	7-18-03031	Air Deflector - TOP	1
24	7-68-05018	seal - Dump Door	1
25	7-13-07159	Rear Clamp	2
26	7-19-08055	Door - Filter Access	1
27	7-08-00843	Bracket - Door Filter Access (RH)	1
28	7-08-00844	Bracket - Door Filter Access (LH)	1
29	7-24-04046	Filter Panel	1
30	7-13-07158	Weldment - Filter Clamp	1
31	7-39-00027	Knob Assembly	2
32	7-03-04150	Arm - Shaker	2
33	7-58-05279	Plate - Shaker Motor	1
34	0860-623	Motor	1
35	8-16-07406	Cover - Filter Shaker Motor	1
36	8-89-04019	Weight - Folter Shaker	1
37	8-10-00036	Cable	1
38	8-41-00040	Latch	2
39	7-29-00234	Gasket - Hopper Access Door	1
40	7-29-00235	Gasket - Hopper Access Door	1
41	2-00-00776	Cotter Pin	2
42	2-00-02558	Lube Fitting	1
43	2-00-04378	Clamp	1
44	2-00-00566	Lube Fitting	4
45	7-55-08146	Pin Shaker Pivot	1
46	2-00-03589	Collar	4
47			
48	7-08-07053	Bumper	1
49	7-89-07423	Stud	2
50	8-82-00058	Switch	2
51	55525A	Knob	2
52	2-00-04345	Tye-Wrap	1
53	8-09-01082	Bushing	2
54			2
55	7-21-04041	Edging - Hopper	1
56	2-00-02227	Key	1
57	2-00-04603	Clamp	2
58	7-08-00869	Bracket - Safety Arm Stop	1
59	7-29-00248	Gasket - Dump Door	1
60	7-29-00249	Gasket - Dump Door	1

P5146/9907

# HOPPER & FLAPS (VARIABLE DUMP) - EXPLODED VIEW





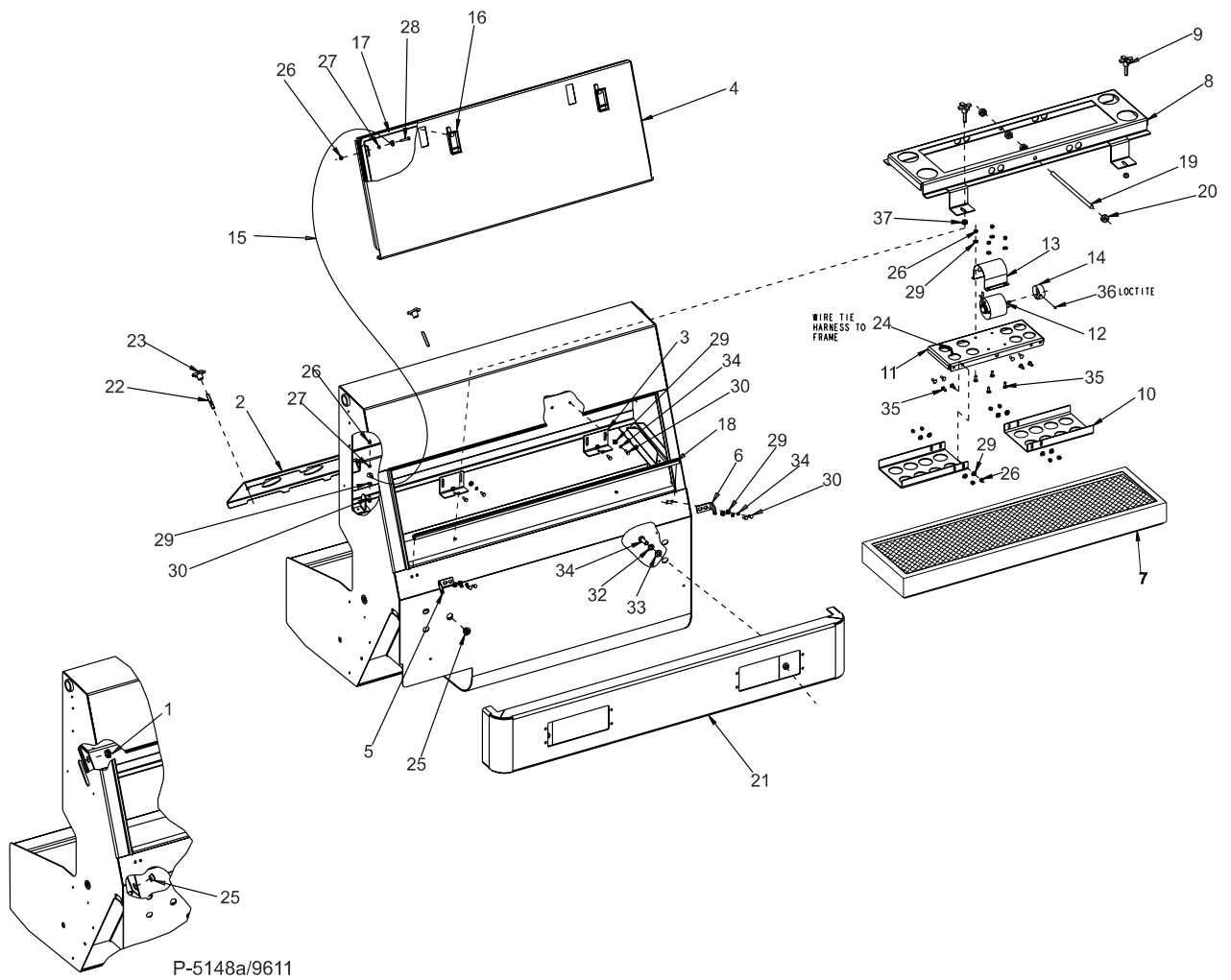
## HOPPER FILTER & IMPELLER - PARTS LIST

<u>KEY NO.</u>	<u>PART NUMBER</u>	<u>DESCRIPTION</u>	<u>QTY</u>
1	2-00-03878	Grommet	1
2	7-18-03031	Air Deflector, Top	1
3	7-13-07159	Rear Clamp	2
4	7-19-08055	Filter Access Door	1
5	7-08-00843	Bracket, Door Filter Access (RH)	1
6	7-08-00844	Bracket, Door Filter Access (LH)	1
7	7-24-04046	Filter Panel	1
	7-24-04046-2	POLY Filter Panel Option	
8	7-13-07158	Filter Clamp, Weldment	1
9	7-39-00027	Knob Assembly	2
10	7-03-04150	Shaker Arm	1
11	7-58-05271	Shaker Motor, Plate	1
12*	0860-623	Motor	1
13*	8-16-07396	Filter Shaker Motor Cover	1
14*	8-89-04019	Filter Shaker Weight	1
15	8-10-00036	Cable	1
16	8-41-00040	Latch	2
17	7-29-00234	Hopper Access Door Gasket	1
18	7-29-00235	Hopper Access Door Gasket	1
19	7-55-08146	Shaker Pivot Pin	1
20	2-00-03589	Collar	4
21	7-08-07053	Bumper	1
22	7-89-07423	Stud	2
23	55525A	Knob	2
24	2-00-04345	Tye-Rap	1
25	8-09-01082	Bushing	2
26	2-00-00641	Nut, 1/4-20 Insert Fiber	8
27	2-00-00594	Nut, Hex 1/4-20 x .437 x .218	1
28	2-00-02587	Screw, 1/4-20 x 1.250 HHC	1
29	2-00-03702	Washer, .625 x .281 x .063	4
30	2-00-00221	Screw, 1/4-20 x .750 HHC	4
31	2-00-00240	Screw, 1/2-13 x 1.250 HHC	4
32	2-00-02312	Lock Washer, 1/2 HS Med.	4
33	2-00-04159	Washer, 9/16 x 1 3/8 x .109	4
34	2-00-00518	Lock Washer, Helical Spring	4
35	2-00-03575	Carriage Bolt, 1/4-20 x .750	8
36	2-00-00263	Setscrew, 1/4-20 x .250 HSKCP	1
37	2-00-00643	Nut, 3/8-16 Stop	1

\*Contained in Kit 0880-705

P-5148a

# HOPPER FILTER & IMPELLER - EXPLODED VIEW



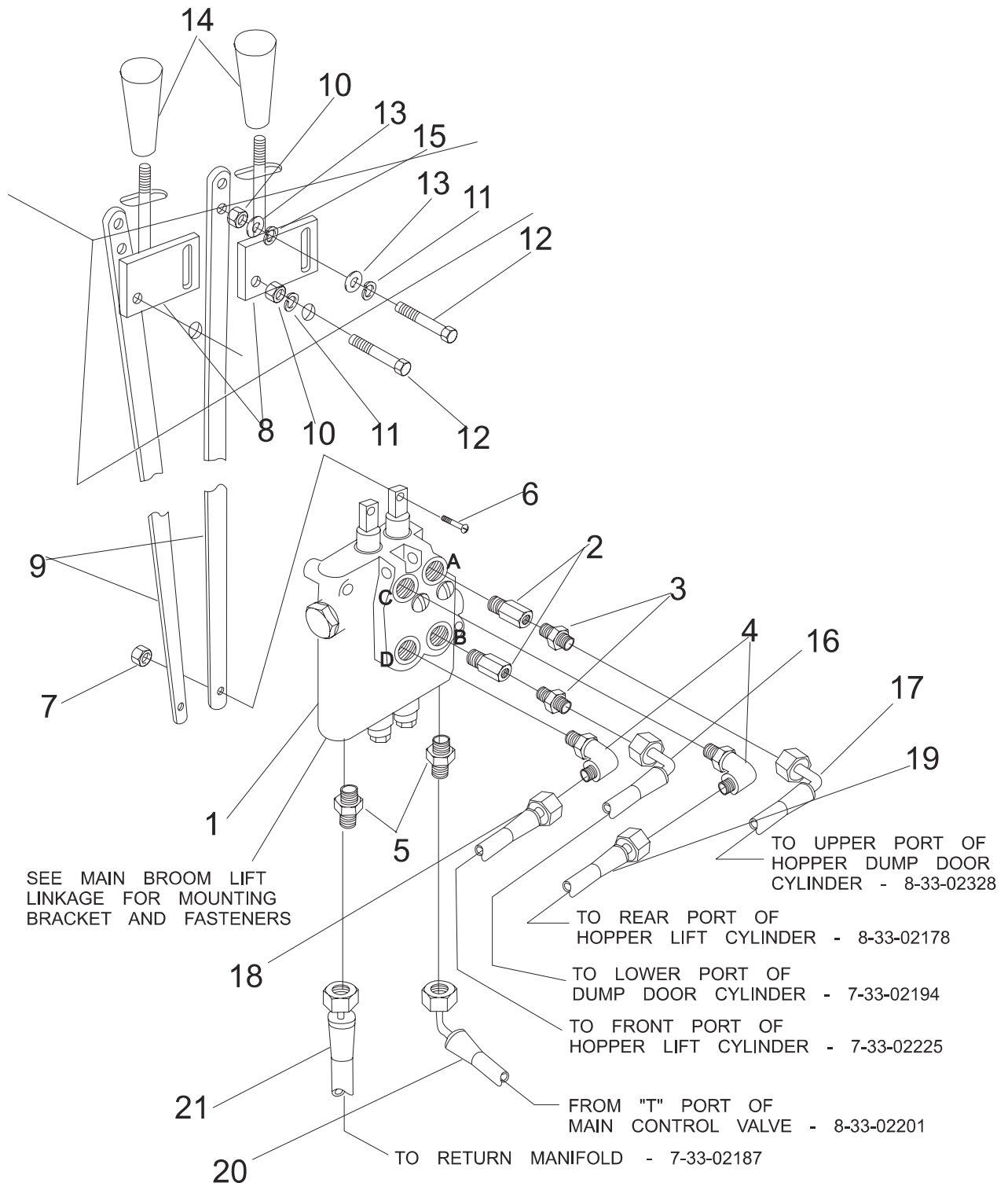
## HOPPER CONTROL VALVE & HOPPER DUMP LINKAGE - PARTS LIST

---

<u>KEY NO.</u>	<u>PART NUMBER</u>	<u>DESCRIPTION</u>	<u>QTY</u>
1	8-88-00053	Hopper Control Valve	1
2	2-00-04917	ORFS Boss Reducer, 9/16-18 to 7/16-20	2
3	2-00-04895	ORFS Connector, 7/16-20 to 9/16-18	2
4	2-00-04926	ORFS 90° Elbow, 9/16-18	2
5	2-00-04970	Fitting - Straight	2
6	2-00-00056	Screw, #10 - 24 x .750 RHM	2
7	2-00-00605	Nut, Hex MS #10 - 24 x .375 x .125	2
8	7-41-05084	Lever	2
9	7-42-05089	Link	2
10	2-00-00594	Nut, Hex 1/4 - 20 x .437 x .218	4
11	2-00-00518	Lock Washer, Helical Spring 1/4 Med	4
12	2-00-00205	Screw, 1/4-20 x 1.000 HHM	4
13	2-00-03702	Flat Washer, .625 x .281 x .062	4
14	7-31-06059	Handle	2
15	2-00-00498	Lock Washer, .250 Ext	2
16	7-33-02195	Hose	Ref.
17	8-33-02328	Hose	Ref.
18	7-33-02225	Hose	Ref.
19	8-33-02178	Hose	Ref.
20	8-33-02201	Hose	Ref.
21	7-33-02187	Hose	Ref.

P-4877b/0603

## HOPPER CONTROL VALVE & HOPPER DUMP LINKAGE - EXPLODED VIEW



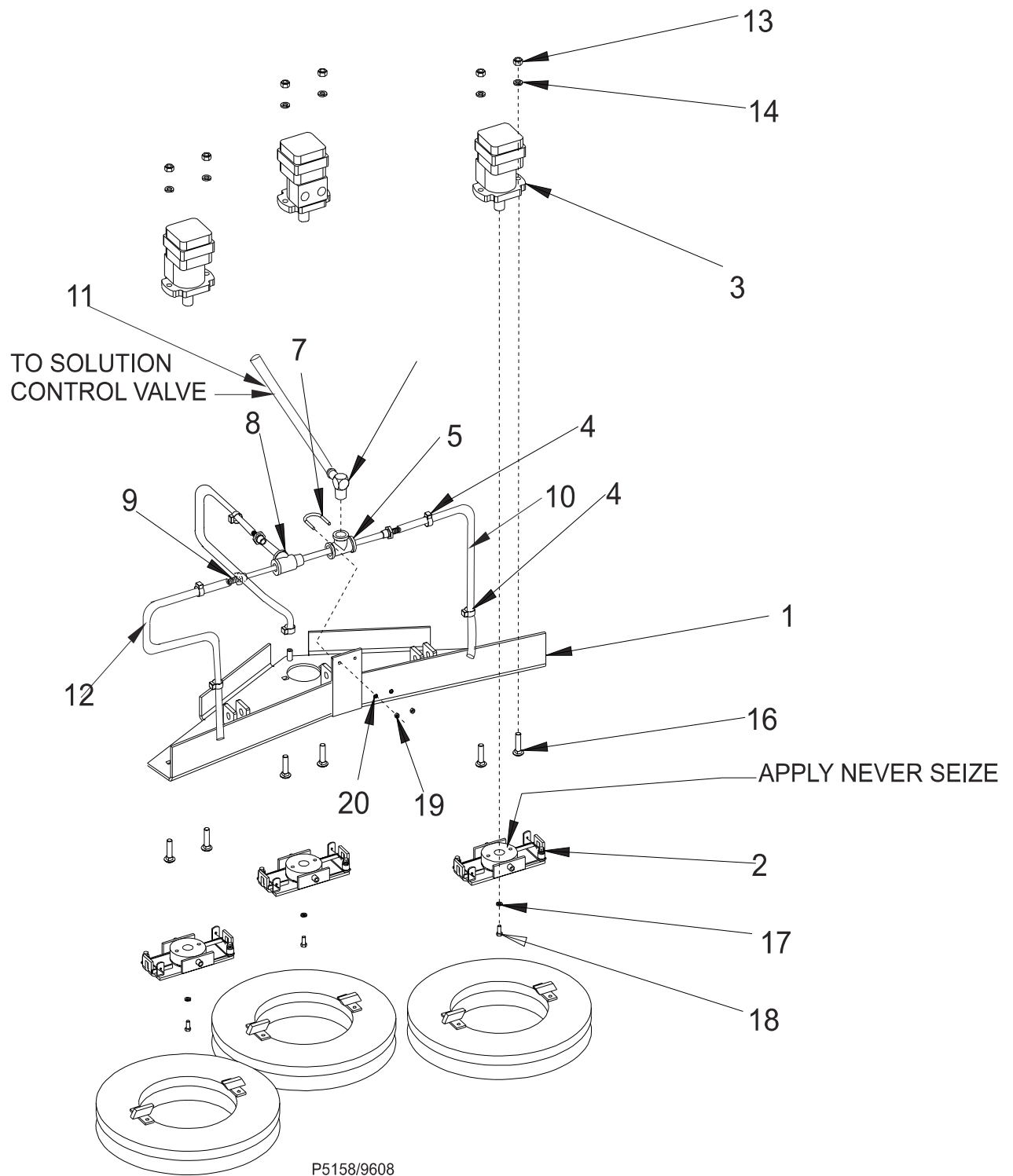
## SCRUB DECK & BRUSHES - PARTS LIST

---

<u>KEY NO.</u>	<u>PART NUMBER</u>	<u>DESCRIPTION</u>	<u>QTY</u>
1	7-27-07172	53" Scrub Deck	1
2	0702-069	Drive Brush Assembly	3
3	0782-111	Hyd. Scrub Motor	3
4	2-00-03407	Clamp-Hose	6
5	2-00-03725	Fitting, Tee	1
6	7-25-02038	90° Nipple	1
7	8-13-07003	"U" Bolt - 1/4"	1
8	2-00-04487	Fitting, Tee	1
9	2-00-05342	Nipple	3
10	7-33-02323	Hose-Water Feed - 15"	1
11	7-33-02322	Hose-Water Feed - 12"	1
12	7-33-02324	Hose-Water Feed - 12.5"	2
13	2-00-00596	Nut, 1/2 - 13	6
14	2-00-02312	Washer, .50 Split	6
15	2-00-00405	Flat Washer, 1.063 x .531 x .094-s	6
16	2-00-05244	Carriage Bolt, Zinc	6
17	2-00-00530	Lockwasher, 5/16	3
18	2-00-05087	Screw, 5/16 with Nylok	3
19	2-00-00594	Nut, Finish Hex, .25-20	2
20	2-00-00518	Washer, Helical Spring	2

P-5158/9608

# SCRUB DECK & BRUSHES - EXPLODED VIEW



## SCRUB DECK & BRUSHES (60") - PARTS LIST

---

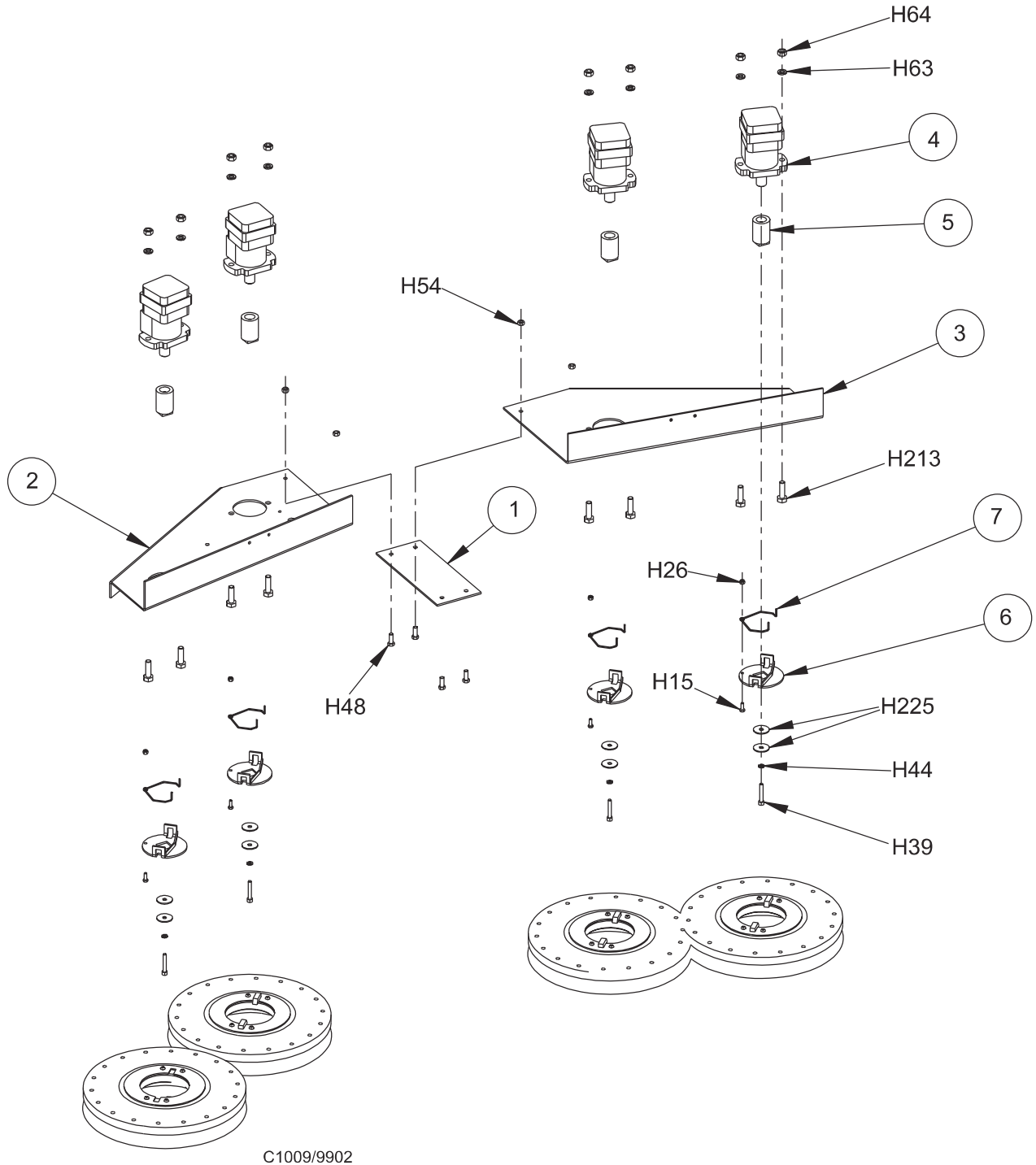
<u>KEY NO.</u>	<u>PART NUMBER</u>	<u>DESCRIPTION</u>	<u>QTY</u>
1	7-58-05289	Plate, Hinge	1
2	7-27-07194	Frame, Brush Drive, LH	1
3	7-27-07195	Frame, Brush Drive, RH	1
4	0782-111	Motor, Hydraulic Brush Drive	4
5	7-33-09031	Hub, Brush Drive	4
6	7-03-04123	Arm, Brush Drive	4
7	7-41-00027	Latch, Brush Driver	4

### **HARDWARE USED:**

H15	2-00-00221	Screw, 1/4 - 20 x .750 HHC	4
H26	2-00-00641	Nut, 1/4 - 20 Insert Fiber	4
H39	2-00-00218	Screw, 5/16 - 18 x 2.000 HHC	4
H44	2-00-00530	Lock Washer, 5/16 HS Med.	4
H48	2-00-00283	Screw, 3/8 - 16 x 1.000 HHC	4
H54	2-00-02360	Nut, 3/8 - 16 Hex	4
H63	2-00-02312	Lock Washer, 1/2 HS Med.	8
H64	2-00-00596	Nut, Hex 1/2 - 13 x .750 x .437	8
H213	2-00-01254	Screw, 1/2 - 13 x 1.500 HHCS	8
H225	2-00-04851	Washer, Engine Mount	8

C1009/9903

# SCRUB DECK & BRUSHES (60") - EXPLODED VIEW



C1009/9902



## SCRUB DECK SOLUTION FEED (60") - PARTS LIST

---

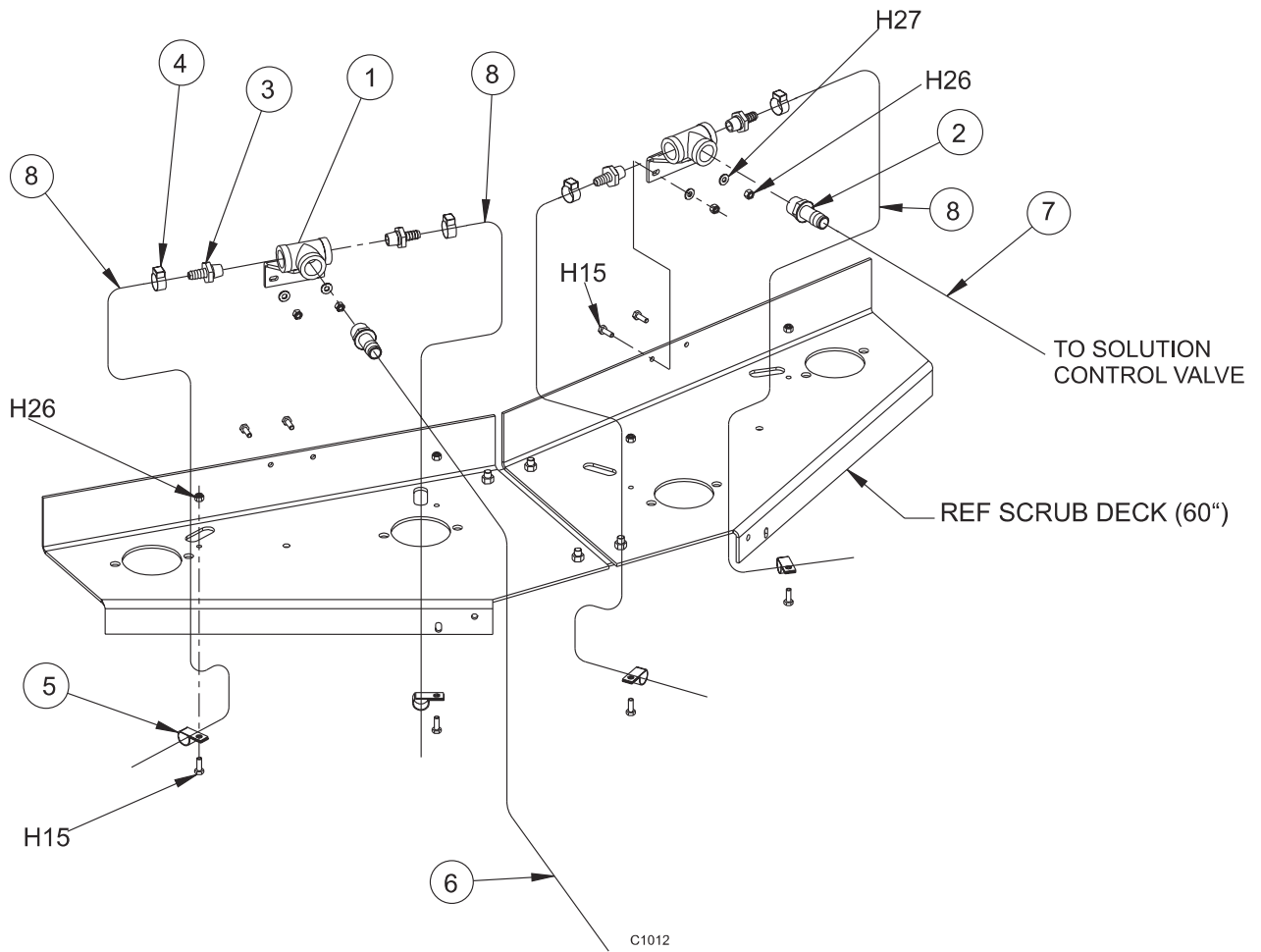
<u>KEY NO.</u>	<u>PART NUMBER</u>	<u>DESCRIPTION</u>	<u>QTY</u>
1	7-08-00437	Bracket, Solution Pipe	2
2	7-25-02012	Fitting, 3/4 I.D. Hose STR Barb	2
3	2-00-05342	Fitting, STR 1/2 M Barb-3/4 Pipe	4
4	2-00-03407	Hose Clamp, Witteck #10P	4
5	2-00-04564	Clamp, Cable	4
6	7-33-02389	Hose, Solution Feed (3/4" ID x 11" LG)	1
7	7-33-02390	Hose, Solution Feed (3/4" ID x 28" LG)	1
8	7-33-02391	Hose, Solution Feed (1/2" ID x 20" LG)	3

### HARDWARE USED:

H15	2-00-00221	Screw, 1/4 - 20 x .750 HHC	8
H26	2-00-00641	Nut, 5/16 - 18 Insert Fiber	8
H27	2-00-03702	Washer, .625 x .281 x .063	4

C1012/9903

# SCRUB DECK SOLUTION FEED (60") - EXPLODED VIEW



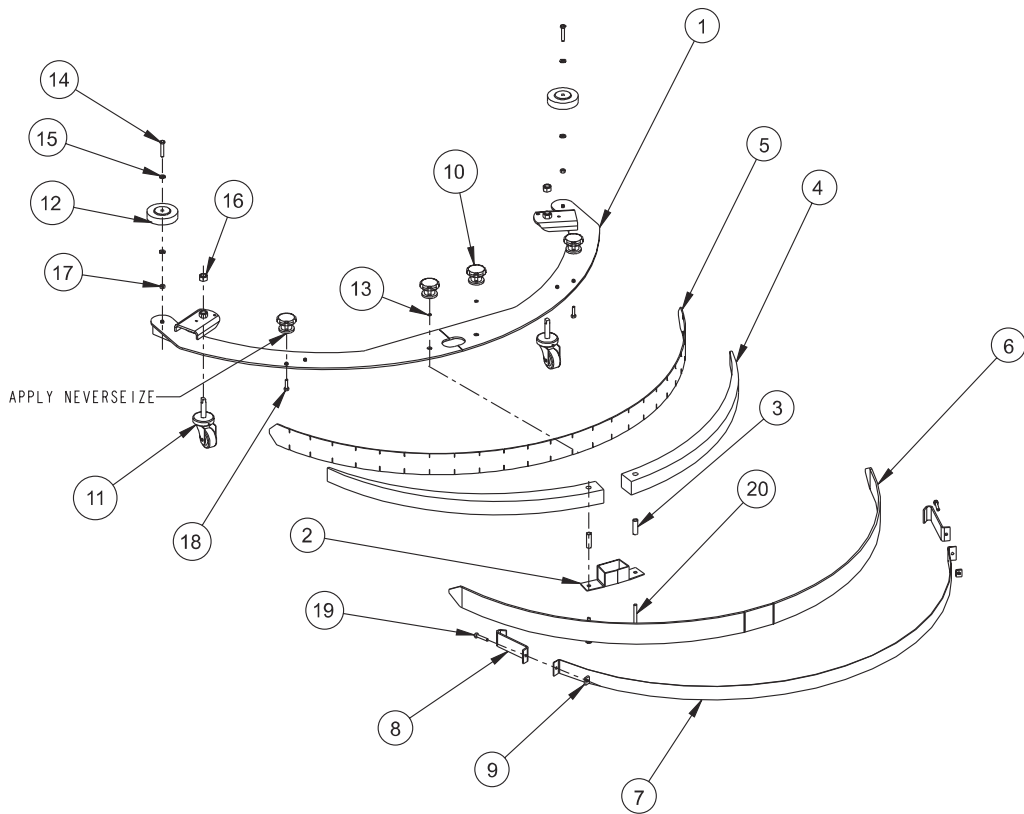
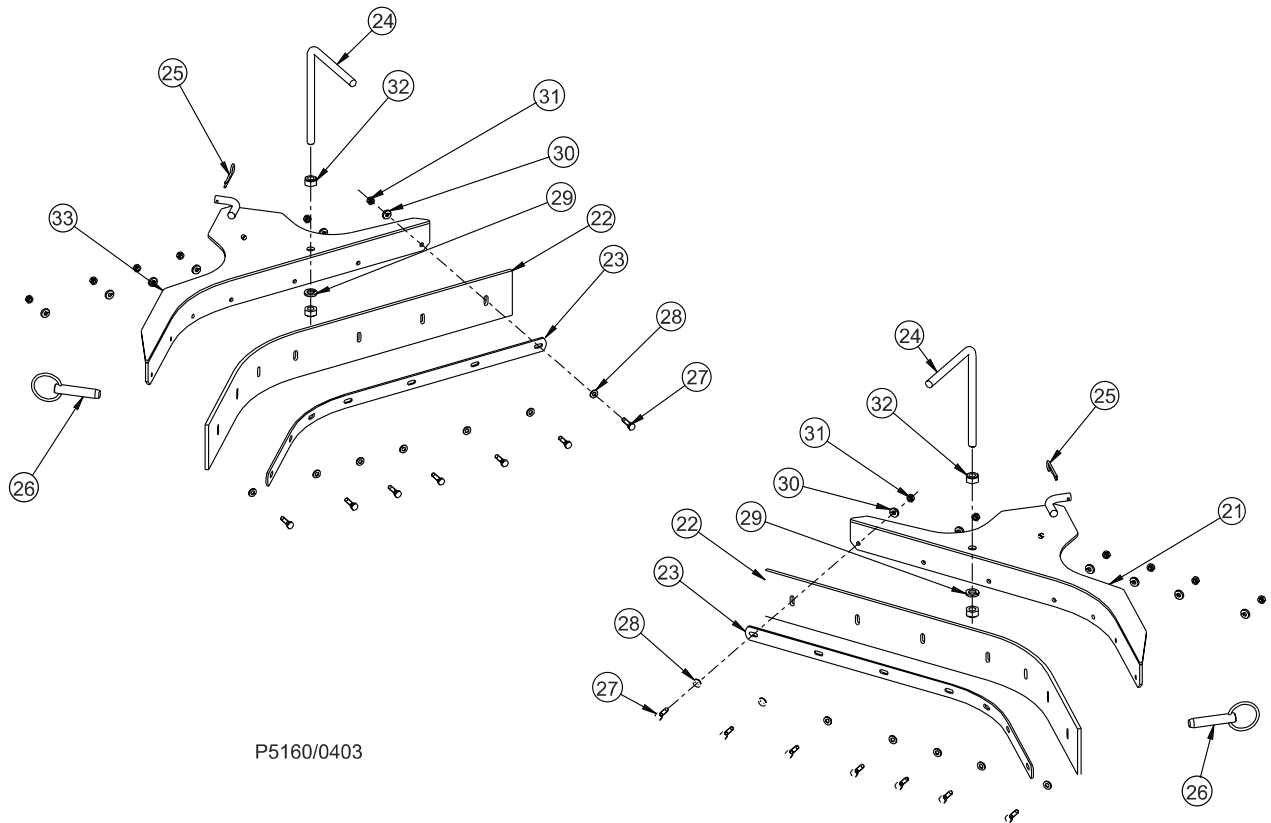
## REAR & SIDE SQUEEGEE - PARTS LIST

---

<u>KEY NO.</u>	<u>PART NUMBER</u>	<u>DESCRIPTION</u>	<u>QTY</u>
1	7-86-08032	Squeegee - Weldment	1
2	7-20-06009	Duct - Squeegee Inlet	1
3	7-75-01164	Spacer - Bushing	2
4	7-75-01191	Spacer - Squeegee	2
5	7-77-00107	Squeegee - Rubber, Inlet	1
6	7-77-00105	Squeegee - Rubber, Outlet	1
7	7-79-00085	Strap - Squeegee Clamp	1
8	7-13-07157	Clamp - End Squeegee	2
9	7-13-07156	Clamp - Nut	2
10	7-39-00026	Knob - Squeegee	4
11	7-89-08073	Wheel - Caster	2
12	2-14-00184	Wheel	2
13	2-00-04962	O-Ring	2
14	2-00-00216	Screw, 3/8-16 x 2.000 HHC	2
15	2-00-00402	Flat Washer, .750 x .390 x .094	4
16	2-00-00615	Nut, Finish Hex	2
17	2-00-02360	Nut, 3/8 -16 Hex	2
18	2-00-05302	Screw, 3/8-16 x 1.25 HHC SS	2
19	2-00-05344	Bolt, Hex Tap 5/16-18 x 1.75 SS	2
20	2-00-05343	Bolt, Carriage, .38-16 x 3.50	2
21	7-86-08034	Weldment - RH Bracket	1
22	7-77-00108	Squeegee - Rubber, Side	1
23	7-79-00086	Strap	1
24	7-55-08145	Pin - Lift	1
25	2-00-05320	Hair Pin	1
26	7-55-08121	Pin - Lock Up	1
28	2-00-05361	Washer, .563 x .281 x .063 SS	14
27	2-00-04690	Screw, 1/4-20 x 1.00 HHC SS #304	14
29	2-00-02312	Lock Washer, 1/2 HS Med.	2
30	2-00-04687	Lock Washer, Helical Spring 1/4 Med.	14
31	2-00-04688	Nut, 1/4-20 Hex	14
32	2-00-00598	Nut, .50-13 Hex	2
33	7-89-08033	Weldment - LH Bracket	1

P-5160/0403

# REAR & SIDE SQUEEGEE - EXPLODED VIEW



## REAR & SIDE SQUEEGEE (60") - PARTS LIST

---

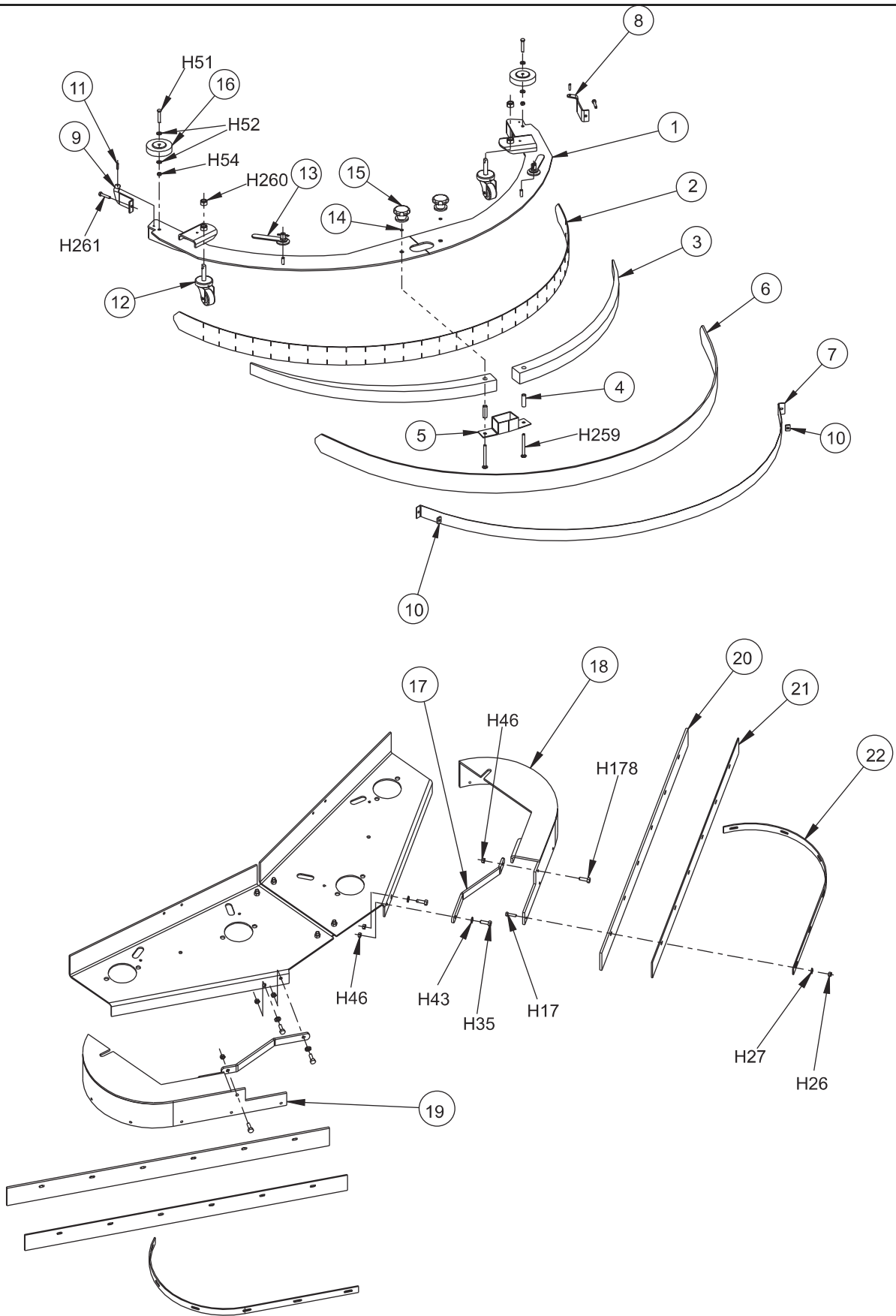
<u>KEY NO.</u>	<u>PART NUMBER</u>	<u>DESCRIPTION</u>	<u>QTY</u>
1	7-86-08061	Tool, Rear Squeegee (Weldment, 60")	1
2	7-77-00138	Rubber, Inner Squeegee	1
3	7-75-01191	Spacer, Squeegee (60")	2
4	7-75-01164	Bushing, Spacer	2
5	7-20-06009	Duct, Squeegee Inlet-Weldment	1
6	7-77-00139	Rubber, Outer Squeegee (60")	1
7	7-79-00100	Strap, Squeegee Clamp (60")	1
8	7-13-07187	Clamp, RH Squeegee End	1
9	7-13-07188	Clamp, LH Squeegee End	1
10	7-13-07156	Clamp, Nut	2
11	2-00-03842	Pin, Roll ¼ x 1	2
12	7-89-08073	Caster	2
13	7-39-00029	Knob Assembly, Rear Squeegee	2
14	2-00-04962	O-Ring	2
15	7-39-00026	Knob, Squeegee	2
16	2-14-00184	Wheel	2
17	7-42-05151	Link, Side Squeegee	2
18	7-86-08058	Tool, LH Side Squeegee Weldment (60")	1
19	7-86-08059	Tool, RH Side Squeegee Weldment (60")	1
20	7-77-00112	Rubber, Side Squeegee (Outer)	2
21	7-77-00112	Rubber, Side Squeegee (Inner)	2
22	7-13-07202	Clamp, Side Squeegee (60")	2

### **HARDWARE USED:**

H17	2-00-00205	Screw, ¼ - 20 x 1.000 HHC	12
H26	2-00-00641	Nut, ¼ - 20 Insert Fiber	12
H27	2-00-03702	Washer, .625 x .281 x .063	12
H35	2-00-02708	Scre, 5/16 - 18 x 1.000 HHM	4
H43	2-00-00409	Flat Washer, .687 x .344 x .062	4
H46	2-00-00644	Nut, 5/16 - 18 x 1.000 HHM	6
H51	2-00-00216	Screw, 3/8 - 16 x 2.000 HHC	2
H52	2-00-00402	Flat Washer, .750 x .390 x .094	4
H54	2-00-02360	Nut, 3/8 - 16 Hex	2
H178	2-00-00206	Screw, 5/16 - 18 x 1.000 HHC	2
H259	2-00-05343	Bolt Carriage, .38 - 16 x 3.50 SS	1
H260	2-00-00615	Nut, Hex Fin .63 - 22	2
H261	2-00-05344	Screw, .313 - 18 x 1.75 HHM SS	2

C1010/9903

# REAR & SIDE SQUEEGEE (60'') - EXPLODED VIEW



C1010/9903

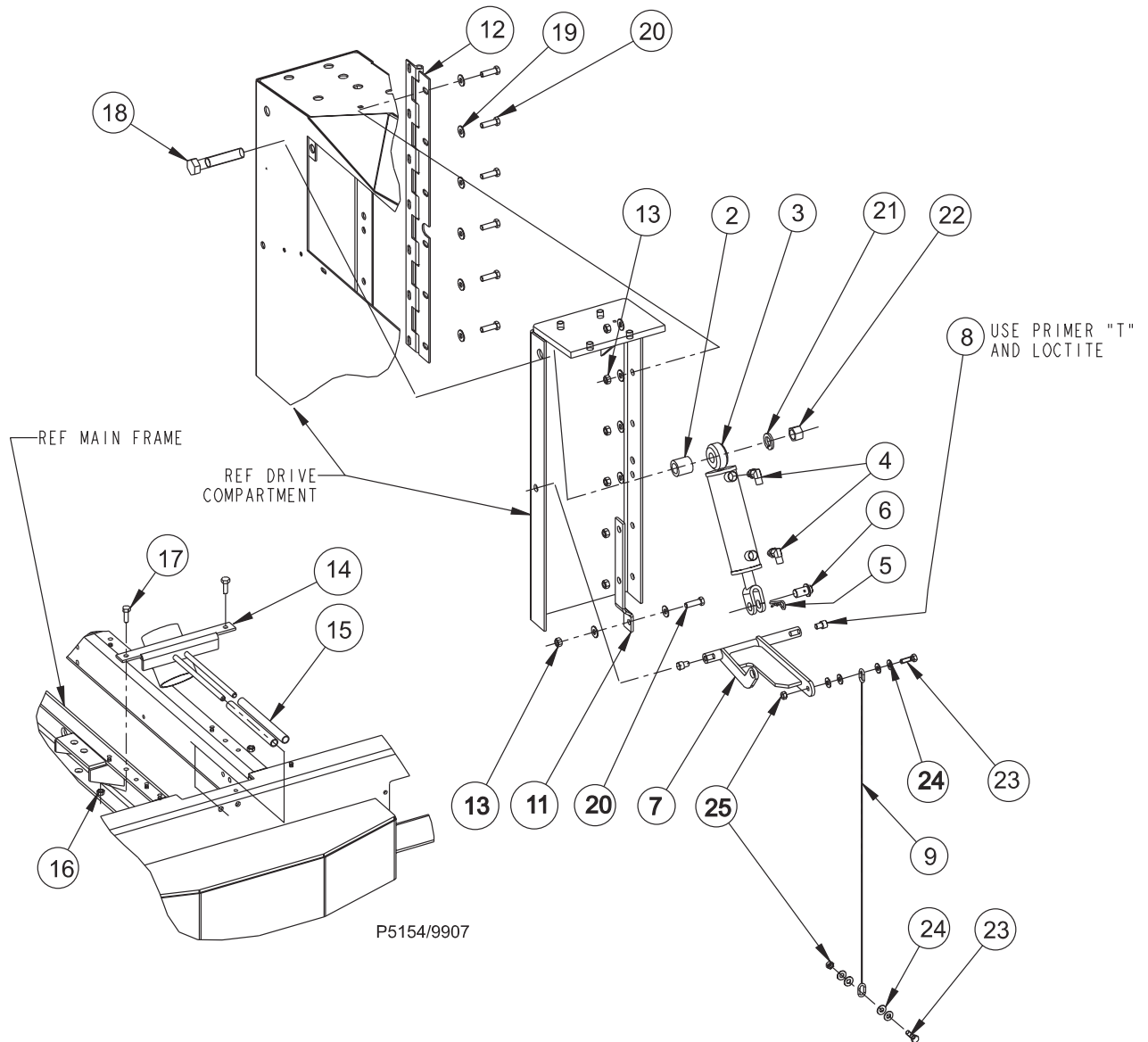
## SQUEEGEE LIFT - PARTS LIST

---

<u>KEY NO.</u>	<u>PART NUMBER</u>	<u>DESCRIPTION</u>	<u>QTY</u>
1			
2	7-75-01166	Spacer	1
3	7-17-05019	Lift Cylinder	Ref.
4	2-00-04892	Fitting, 90°	2
5	2-00-05320	Hair Pin	1
- 6	7-55-08147	Pin Assembly	1
7	7-17-00013	Squeegee Lift Arm	1
8	2-00-04886	Set Screw, 3/8-16 x .500	2
9	7-13-05074	Chain - Squeegee Lift	1
10			
11	7-08-00845	Bracket	1
12	7-32-00022	Hinge	Ref.
13	2-95-04182	Nut, Fiber	10
14	7-08-00928	Bracket - Squeegee Lift	1
15	7-87-02185	Tube - Squeegee Lift	2
16	2-00-00644	Nut - 5/16-18, Insert Fiber	2
17	2-00-02708	Screw, 5/16-18 x 1.000 HHM	2
18	2-00-05354	Screw, Hex Head Cap	1
19	2-00-00410	Flat Washer, .875 x .375 x .060	12
20	2-00-00209	Screw, 3/8-16 x 1.250 HHC	7
21	2-00-00522	Lock Washer 3/4 Helical Spring	1
22	2-00-03293	Nut, Hex Finish, .75-10	1
23	2-00-05356	Screw - HHC .313-18 x 1.25 Grade 8	2
24	2-00-05103	Flat Washer .750 x .343 x .50	8

P-5154/9907

# SQUEEGEE LIFT - EXPLODED VIEW





## SWING SQUEEGEE SUPPORT - PARTS LIST

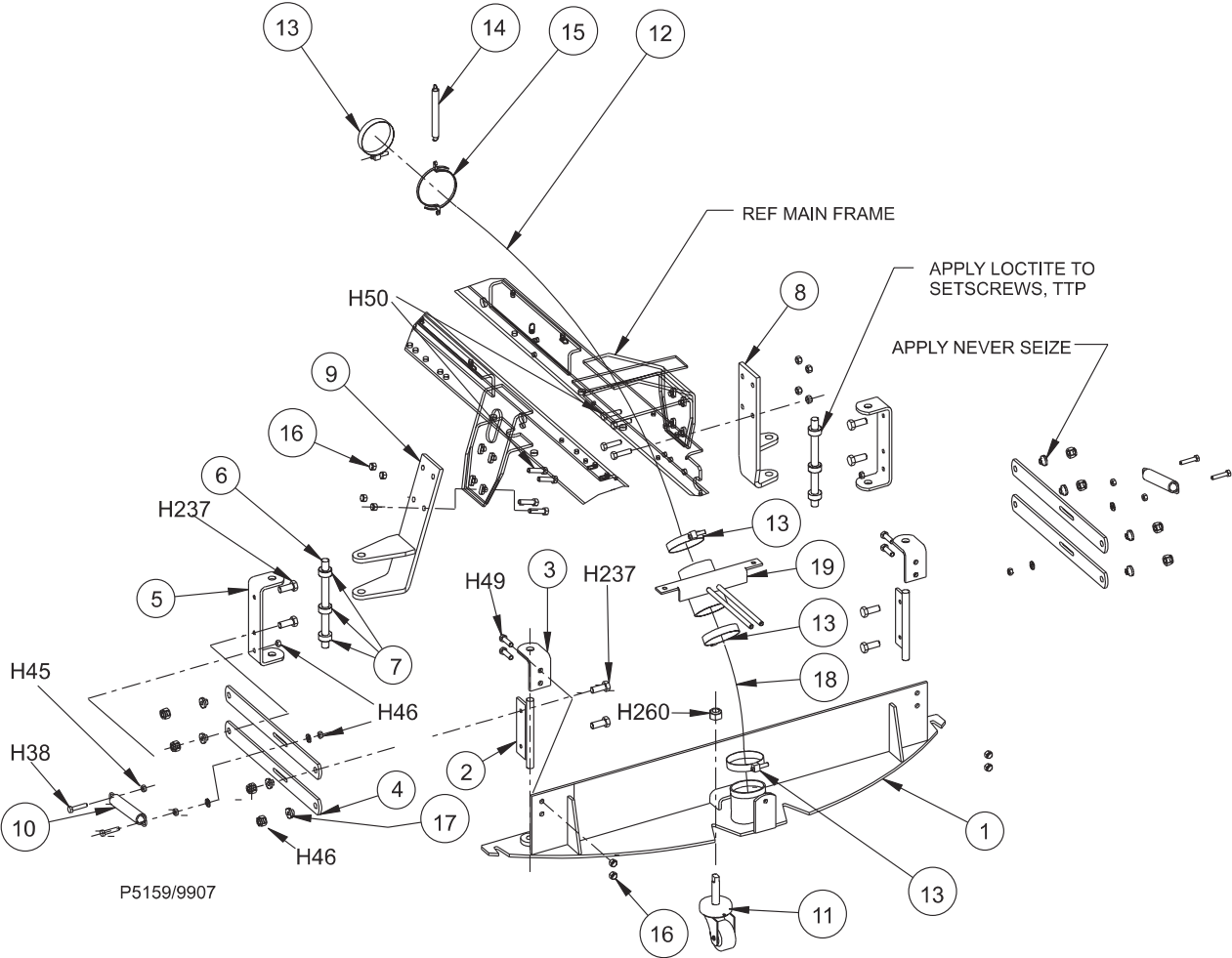
---

<u>KEY NO.</u>	<u>PART NUMBER</u>	<u>DESCRIPTION</u>	<u>QTY</u>
1	7-86-08039	Weldment - Squeegee Support	1
2	7-55-08144	Weldment - Pin Assembly	2
3	7-08-00839	Bracket - Angle	2
4	7-03-04149	Arm - Squeegee	4
5	7-81-00185	Support - Squeegee	2
6	7-70-05174	Shaft	2
7	8-15-01002	Locking Collar	6
8	7-08-00838	Weldment - Bracket RH	1
9	7-08-00837	Weldment - Bracket LH	1
10	7-76-00114	Spring	2
11	7-89-08073	Wheel - Caster	1
12	7-33-02380*	Hose - Vacuum - 78.50"	1
13	7-13-07104*	Clamp - Hose	4
14	7-76-00050-1	Spring - Extension	1
15	2-00-04937	Hose Tie w/Eyelet	2
16	2-95-04182	Nut	12
17	7-09-01057	Bushing	8
18	7-33-02381*	Hose Vacuum - 23.50"	1
19	7-08-00916*	Bracket, Squeegee Lift	Ref.

\*Part of Kit 0780-467

P-5159/9907

**SWING SQUEEGEE SUPPORT - EXPLODED VIEW**



## SOLUTION TANK - PARTS LIST

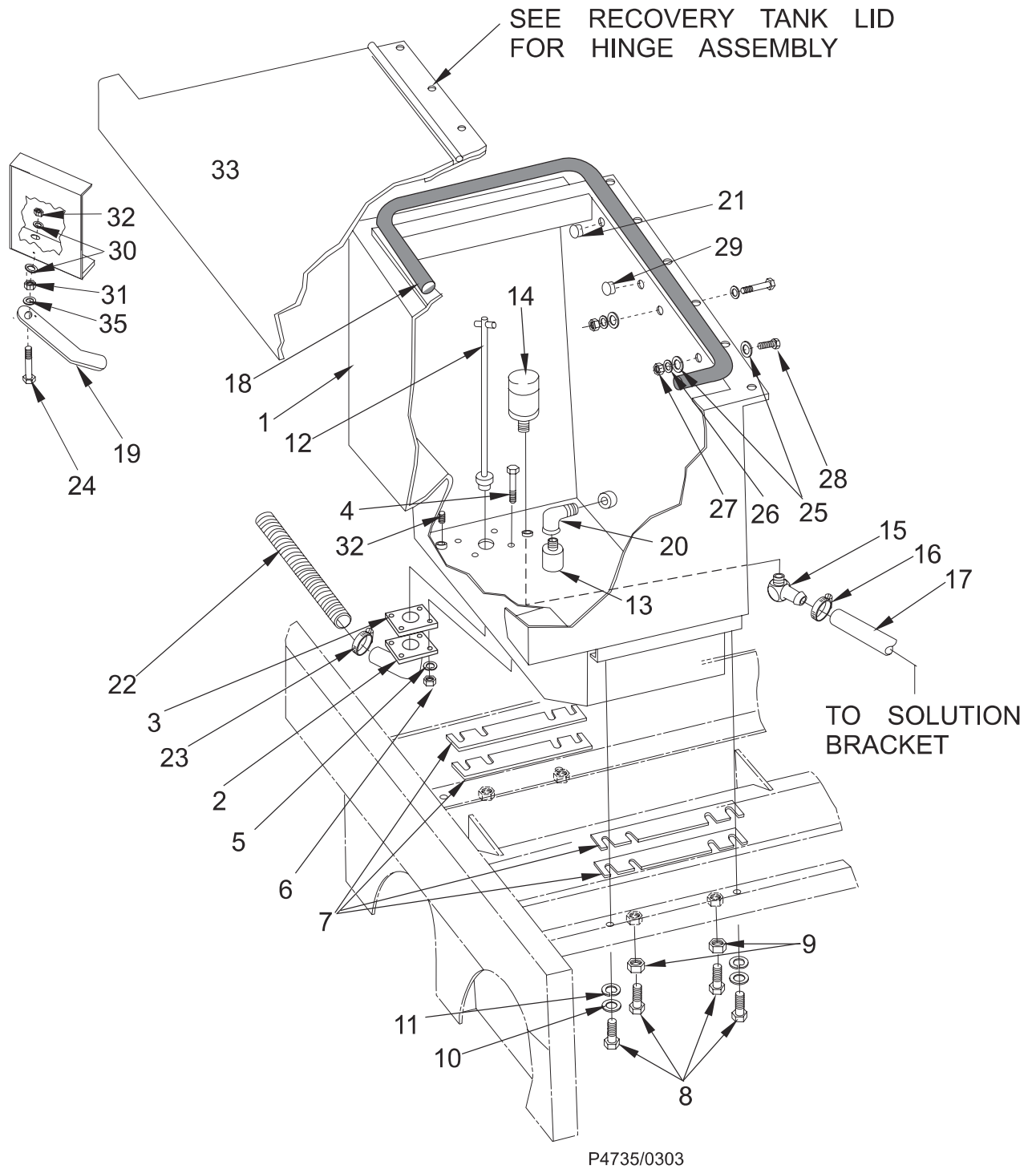
---

KEY NO.	PART NUMBER	DESCRIPTION	QTY
1	7-83-04168	Solution Tank, Stainless Steel (Standard)	1
	7-83-04167	Solution Tank, Mild Steel (Option)	
2	7-25-02046	Fitting, Drain	1
3	7-29-00100	Gasket, Tank Drain	1
4	2-00-04693	Screw, 5/16-18 x .875 SS	4
5	2-00-04691	Lock Washer, Helical Spring 5/16 Med SS	4
6	2-00-04692	Nut, Hex 5/16 - 18 x .500 x .265 SS	4
7	7-75-01088	Spacer	4
8	2-00-01254	Screw, 1/2 - 13 x 1.500 HHC	8
9	2-00-02391	Hex Nut, 1/2-13	4
10	2-00-02312	Lock Washer, Helical Spring 1/2 Med	4
11	2-00-00405	Flat Washer, 1.062 x .531 x .093	4
12	7-25-02095	Drain Plug Assembly	1
13	7-82-00017	Switch, Float	1
14	7-24-04022	Strainer, Pump Inlet	1
15	7-25-02053	Fitting, 3/4 NPT, 3/4 Barb 90°	1
16	2-00-02220	Hose Clamp, .812 - 1.500	1
17	7-33-02178	Hose	1
18	7-29-00176	Gasket, Solution Tank	1
19	7-32-03020	Holder, Hose	1
20	2-00-05035	Pipe Elbow, 90° 1/4 NPT	1
21	2-00-05724	Plug, 3/4 NPT Nylon	1
22	7-33-02335	Drain Hose, 44"	1
23	2-00-02216	Clamp, Hose	1
24	2-00-00234	Screw, 3/8-16 x 1.50 HHC	1
25	2-00-04590	Sealing Washer, .625 x .250	4
26	2-00-04687	Lock Washer, Helical Spring 1/4 Med SS	4
27	2-00-04688	Nut, Hex 1/4 - 20 x .437 x .218 SS	4
28	2-00-04685	Screw, 1/4 - 20 x .500 HHC SS	4
29	2-00-05940	Plug, 1/4 NPT Nylon	2
30	2-00-03979	Flat Washer, 3/8	3
31	2-00-02360	Nut, Hex 3/8	1
32	2-00-04182	Nut, 3/8 Fiber Lock	1
33	7-16-07275*	Cover, Solution Tank	1

\*Solution Tank Cover Hinge Assembly only: 7-89-06693

P4735/0303

# SOLUTION TANK - EXPLODED VIEW



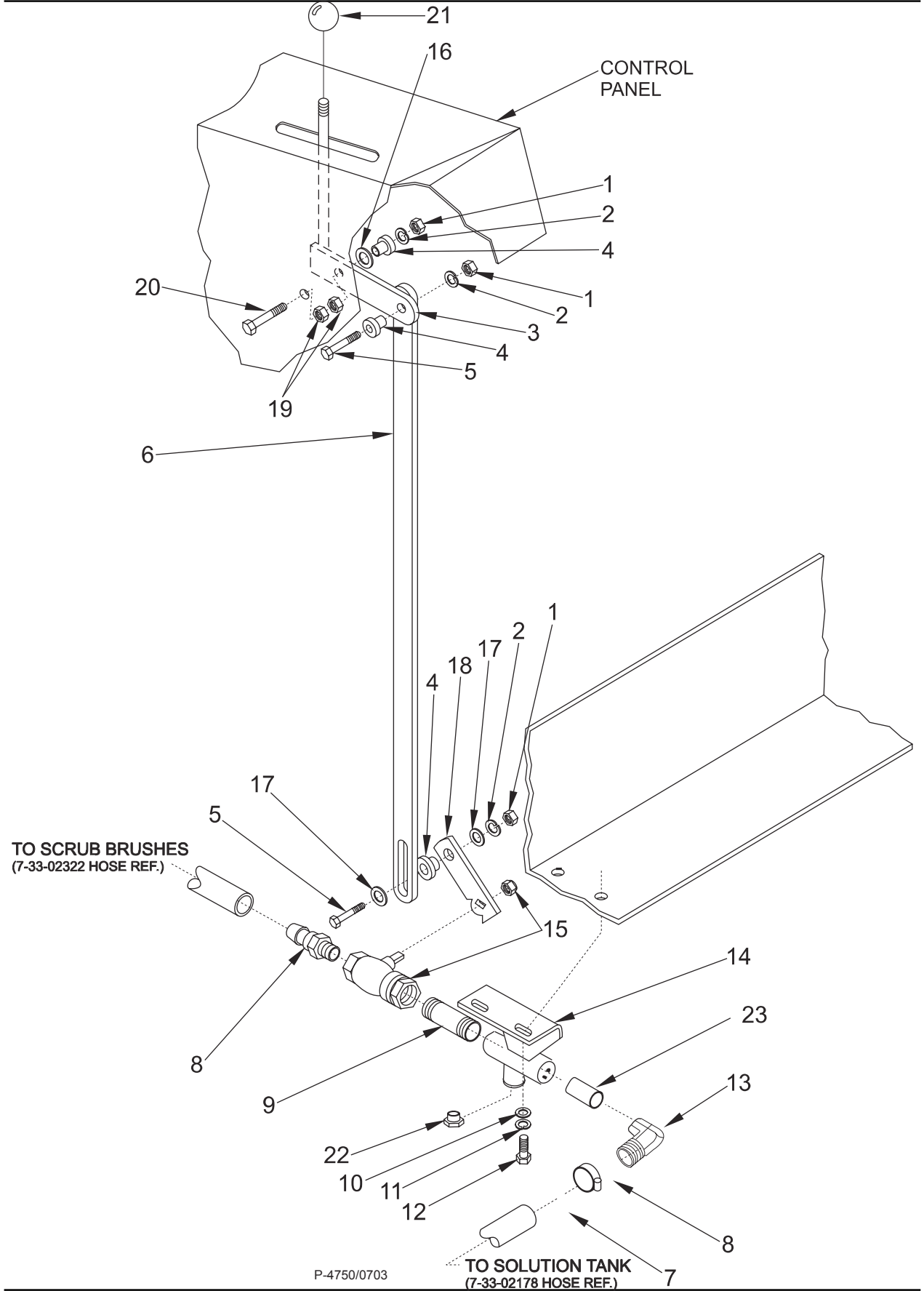
## SOLUTION FEED LINKAGE - PARTS LIST

---

<u>KEY NO.</u>	<u>PART NUMBER</u>	<u>DESCRIPTION</u>	<u>QTY</u>
1	2-00-00585	Nut, Hex 5/16 - 18 x .500 x .265	3
2	2-00-00530	Lock Washer, Helical Spring 5/16 Med	3
3	7-41-05086	Solution Control Lever	1
4	7-09-01057	Bushing	3
5	2-00-00207	Screw, 5/16 - 18 x 1.250 HHC	2
6	7-42-05090	Solution Control Link	1
7	2-00-03407	Hose Clamp	1
8	7-25-02052	Hose Fitting, 3/4 Barbed, 14 NPT Nylon	1
9	2-00-03586	Pipe Nipple, 3/4 NPT x 2.00 short	2
10	2-00-03702	Flat Washer, .625 x .281 x .062	2
11	2-00-00518	Lock Washer, Helical Spring 1/4 Med	2
12	2-00-00221	Screw, 1/4 - 20 x .750 HHC	2
13	2-00-05132	Fitting, 3/4 NPT, 3/4 Barbed, 90°, Nylon	1
14	7-08-00437	Bracket, Solution Pipe	1
15	7-88-00027	Ball Valve	1
16	2-00-03382	Spring Washer, .875 x .500 x .015	1
17	2-00-00409	Flat Washer, .687 x .343 x .0623	2
18	7-41-05085	Solution Valve Lever	1
19	2-00-00600	Nut, Hex Hvy. 3/8 - 16 x .687 x .359	2
20	2-00-00211	Screw, 5/16 - 18 x 1.750 HHC	1
21	8-39-00002	Knob	1
22	2-00-05724	Plug, Pipe, 3/4 NPT, Nylon	1
23	2-00-02220	Hose Clamp	1
24	2-00-05131	Nipple, Closed 3/4 NPT x 1.38	1

P-4750/0703

**SOLUTION FEED LINKAGE - EXPLODED VIEW**



## SOLUTION FEED LINKAGE (60") - PARTS LIST

---

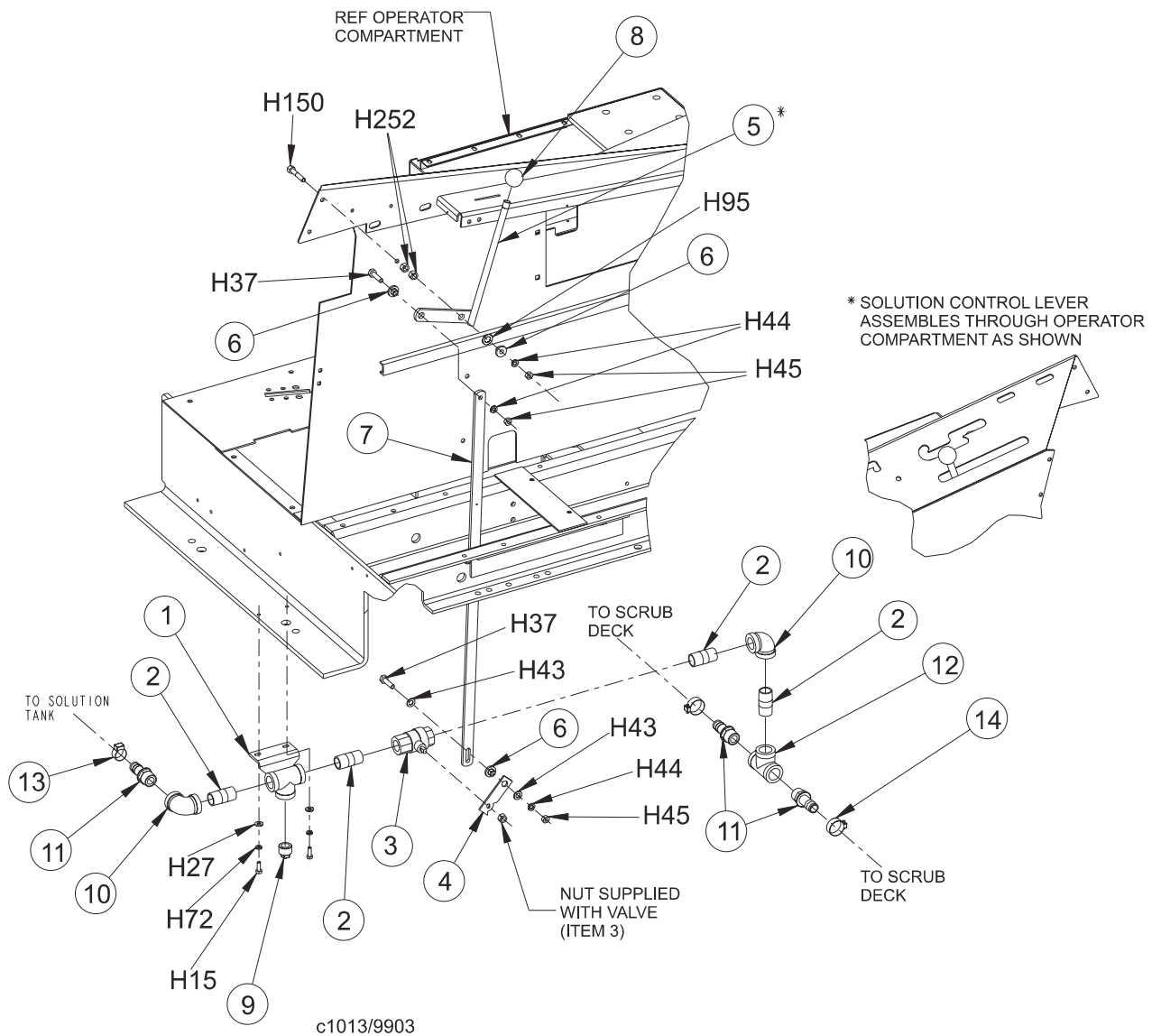
<u>KEY NO.</u>	<u>PART NUMBER</u>	<u>DESCRIPTION</u>	<u>QTY</u>
1	7-08-00437	Bracket, Solution Pipe	1
2	2-00-03586	Pipe Nipple, 3/4 NPT x 2.00 Short	4
3	7-88-00027	Ball Valve, Solution Feed	1
4	7-41-05085	Solution Valve Lever	1
5	7-41-05086	Solution Control Lever	1
6	7-09-01057	Bushing	3
7	7-42-05090	Solution Control Link	1
8	8-39-00002	Knob	1
9	2-00-02475	Plug, Pipe 3/4 NPT	1
10	2-95-02528	Pipe Elbow, 90° 3/4 NPT	2
11	7-25-02012	Hose Fitting, Barbed 3/4 14 NPT	3
12	2-00-04675	Fitting Pipe Tee, 3/4 NPT (Black)	1
13	2-00-03407	Hose, Clamp - Witteck #10P	1
14	2-00-02220	Hose Clamp	2

### HARDWARE USED:

H15	2-00-00221	Screw, 1/4 - 20 x .750 HHC	2
H27	2-00-03702	Flat Washer, .625 x .281 x .062	2
H37	2-00-00207	Screw, 5/16 - 18 x 1.250 HHC	2
H43	2-00-00409	Flat Washer, .687 x .343 x .0623	2
H44	2-00-00530	Lock Washer, Helical Spring 5/16 Med	3
H45	2-00-00585	Nut, Hex 5/16 - 18 x .500 x .265	3
H72	2-00-00518	Lock Washer, Helical Spring 1/4 Med	2
H95	2-00-03382	Spring Washer, .875 x .500 x .015	1
H150	2-00-00211	Screw, 5/16 - 18 x 1.750 HHC	1
H252	2-00-00600	Nut, Hex Hvy. 3/8 - 16 x .687 x .359	2

C1013/9903

# SOLUTION FEED LINKAGE (60") - EXPLODED VIEW



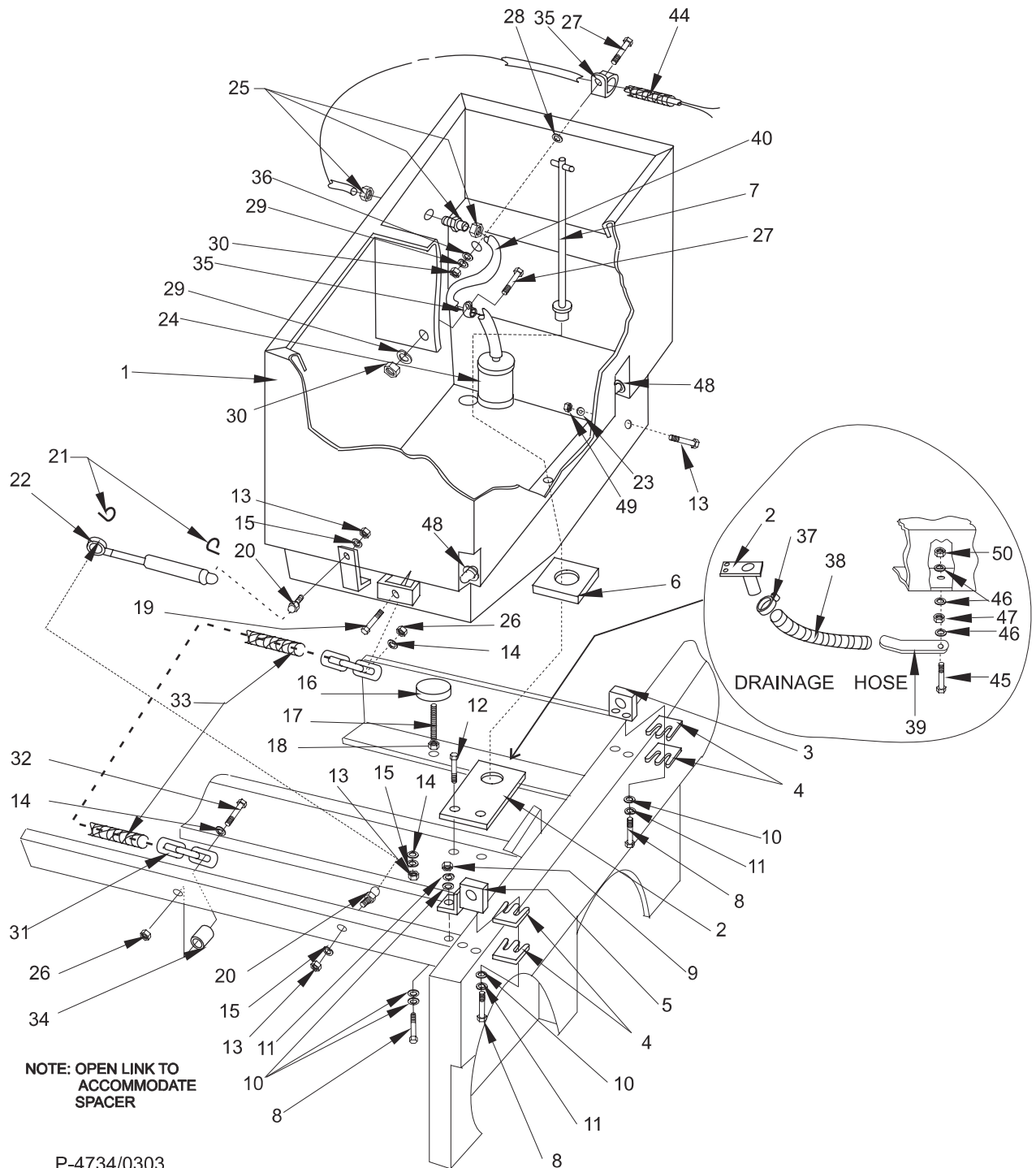


## RECOVERY TANK - PARTS LIST

KEY NO.	PART NUMBER	DESCRIPTION	QTY
1	7-83-04161	Recovery Tank - Stainless Steel (Standard)	1
	7-83-04160	Recovery Tank - Mild Steel (Option)	
2	7-56-05023	Fitting Weldment	1
3	7-81-00126	Support	1
4	7-71-00009	Shim	4
5	7-08-00486	Bracket Weldment	1
6	7-29-00146	Gasket	1
7	7-25-02095	Drain Plug Assembly	1
8	2-00-00209	Screw, 3/8 - 16 x 1.250 HHC	4
9	2-00-02360	Nut, Hex, 3/8 - 16 x .562 x .328	1
10	2-00-04801	Washer, Flat, 1.000 x .390 x .062	7
11	2-00-02310	Washer, Lock, Helical Spring 3/8 Med	5
12	2-00-03569	Bolt, Carraige, 5/16 - 18 x .75	2
13	2-00-00183	Screw, PH THM 1/4-20 x .75	1
14	2-00-00409	Washer, 5/16 Flat SS	4
15	2-00-00530	Washer, Lock, Helical Spring 5/16 Med	4
16	7-78-05009	Stop	2
17	8-80-05014	Stud, 1/2-13 UNF-2A x 2.50	2
18	2-00-02371	Nut, Hex Jam, 1/2 - 13 x .750 x .312	2
19	2-00-00206	Screw, .313-18 x 1.00	1
20	7-80-05067	Stud, Gas Spring	2
21	7-13-07102	Safety Clip, Gas Spring	2
22	7-76-00103	Gas Spring, Recovery Tank Tilt	1
23	2-00-00518	Washer, 1/4 Med. Lock	1
24	7-82-00021	Switch, Float	1
25	8-09-01083	Connector, Float Switch	1
26	2-00-00644	Nut, Insert Fiber, .313-18	6
27	2-00-04685	Screw 1/4-20 x .75 HHC S.S.	9
28	2-00-04590	Washer, Sealing 1/4	12
29	2-00-04687	Washer, 1/4 Lock Split S.S.	13
30	2-00-04688	Nut, 1/4-20 Hex S.S.	13
31	7-13-05058	Chain	1
32	2-00-00207	Screw, 5/16-18 X 1.250 HHC	2
33	7-34-09018	Sleeve	1
34	7-75-01130	Spacer, .500 X .370 X .375	1
35	2-00-04602	Clamp, Float Switch	3
36	2-00-04689	Washer, 1/4 Flat S.S.	1
37	2-00-02216	Clamp	1
38	7-33-02336	Hose, 50.00	1
39	7-32-03020	Holder, Hose	1
40	8-08-07038	Hose	1
41	2-00-04690	Screw, 1/4 - 20 X 1.000 HHC	3
42	2-00-05028	Washer, Rubber	6
43	2-00-05236	Washer, Flat, 2.000 X .28 X .08 SS	6
44	8-43-00002	Loom, Wire	1
45	2-00-00234	Screw, HHC 3/8 - 16 X 1.500	1
46	2-00-00410	Washer, Flat, 3/8	3
47	2-00-02360	Nut, Hex, 3/8 - 16	1
48	2-00-00432	Washer, Flat, 1.125 x .766 x .063	2
49	2-00-00594	Nut, Hex, STD FIN 1/4-20	1
50	2-00-00643	Nut, Fiber, 3/8 - 16	1

P-4734/0303

# RECOVERY TANK - EXPLODED VIEW



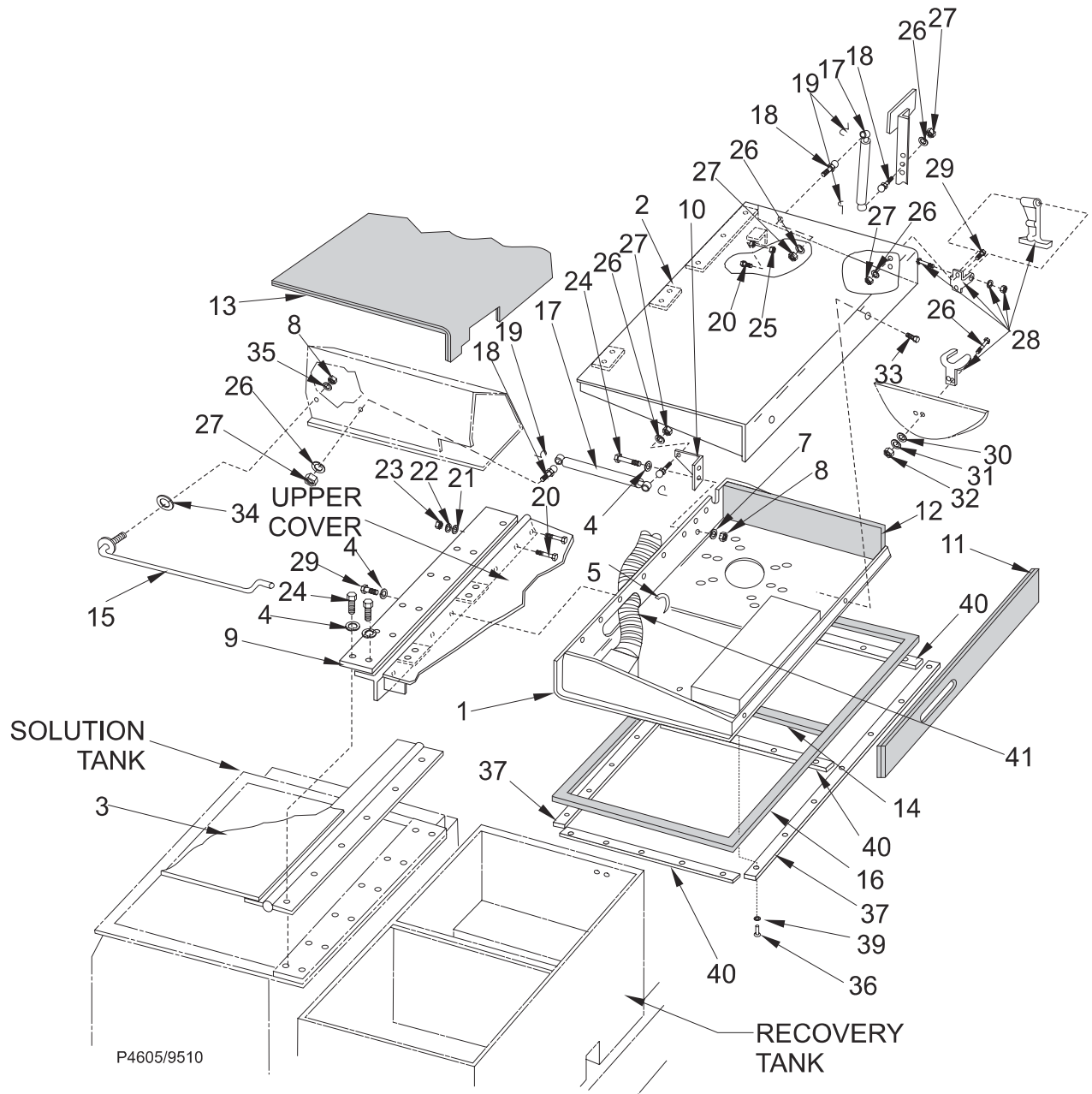
## RECOVERY TANK LID - PARTS LIST

<u>KEY NO.</u>	<u>PART NUMBER</u>	<u>DESCRIPTION</u>	<u>QTY</u>
1	7-16-07380	Recovery Tank Lower Cover	1
2	7-16-07295	Recovery Tank Upper Cover	1
3	7-16-07275	Solution Tank Cover	1
4	2-00-03702	Flat Washer, 1/4	2
5	3-73-00076	Edging	2.33'
6	2-00-01255	Screw, 5-16-18 x .88 HHC	2
7	2-00-01803	Flat Washer, 5/16	6
8	2-00-00644	Nut, Hex Fiber Insert 5/16-18	1
9	7-79-00057	Strap	2
10	7-08-00490	Bracket	1
11	7-34-09020	Lower Cover Insulation	1
12	7-34-09019	Lower Cover Insulation	1
13	7-34-09021	Lower Cover Insulation	1
14	7-29-00229	Gasket, Center Section	1
15	7-66-00145	Cover Support Rod	1
16	7-29-00228	Gasket, Perimeter	1
17	7-76-00104	Gas Spring	2
18	7-80-05067	Stud (13 mm)	4
19	7-13-07102	Clip	4
20	2-00-01254	Screw, 1/2-13 x 1.500 HHC	Ref.
21	2-00-00518	Lock Washer, 1/4	6
22	2-00-00594	Nut, Hex 1/4 - 20 x .437 x .218	2
23	2-00-04876	Screw, 1/4 - 20 x .500 BHS	8
24	2-00-00221	Screw, 1/4 - 20 x .750 HHC	14
25	2-00-00596	Nut, Hex 1/2 - 13 x .750 x .437	Ref.
26	2-00-00530	Lock Washer, Helical Spring 5/16 med	8
27	2-00-00585	Nut, 5/16-18	6
28	8-41-00033	Latch Assembly	1
29	2-00-00118	Screw, #10 - 24 x .625 RHM	4
30	2-00-01974	Sealing Washer, .562 x #10 x .065	2
31	2-00-00519	Lock Washer, Helical Spring #10 Med	4
32	2-00-00605	Nut, Hex MS #10-24 x .375 x .125	4
33	2-00-00208	Screw, 5/16-18 x .750 HHC	2
34	7-23-03048	Spring Washer, .750 x .312 x .013	1
35	2-00-00409	Flat Washer, .687 x .343 x .062	3
36	2-00-04707	Pop Rivet, .125 Dia.	31
37	7-79-00081	Strap, Gasket Retainer	2
38	7-79-00082	Strap, Gasket Retainer	1
39	2-00-00455	Flat Washer #6	31
40	7-79-00087	Strap, Gasket Retainer	2
41	7-33-02321	Vac Hose	1

Key No.s 4, 5 and 6 must be ordered together for proper fit.

P-4605/9809

# RECOVERY TANK LID - EXPLODED VIEW

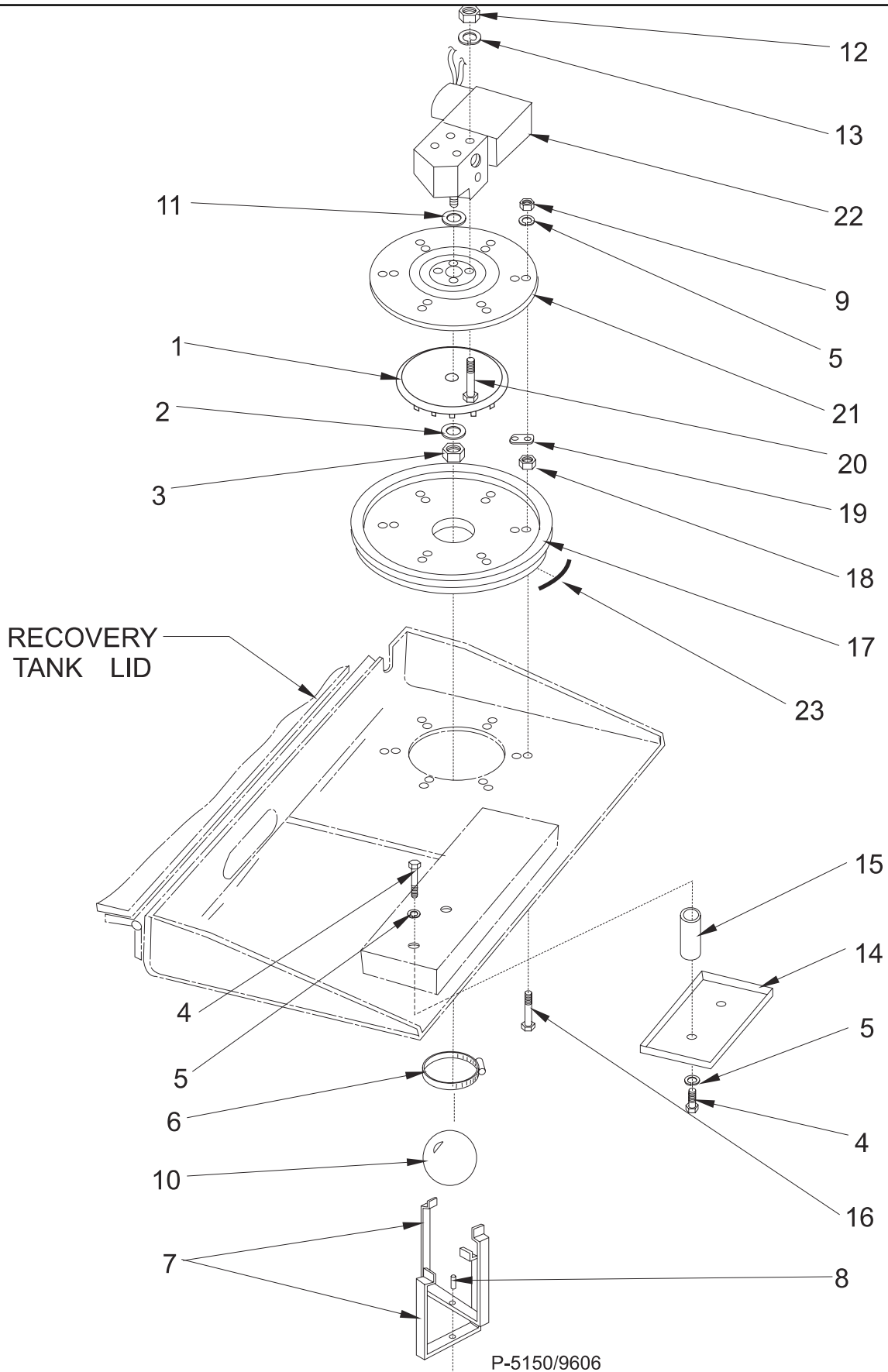


## VACUUM MOTOR & FLOAT - PARTS LIST

<u>KEY NO.</u>	<u>PART NUMBER</u>	<u>DESCRIPTION</u>	<u>QTY</u>
1	7-34-04002	Impellor	1
2	2-00-00402	Flat Washer, .750 x .390 x .093	1
3	2-00-03412	Nut, Lock 3/8 - 24 x .562 x .281	1
4	2-00-00251	Screw, 1/4 - 20 x .500 HHCBB	4
5	2-00-00518	Lock Washer, Helical Spring 1/4 Med	16
6	2-00-03959	Hose Clamp, 3.562 - 4.500	1
7	7-79-00061	Strap-Float Ball	2
8	2-00-04115	Pop Rivet	1
9	2-00-00594	Nut, Hex 1/4 - 20 x .437 x .218	12
10	7-26-04011	Ball Float	1
11	2-00-00484	Spacer, .625 x .375 x .046	1
12	2-00-00585	Nut, Hex 5/16 - 18 x .50 x .265	4
13	2-00-00530	Lock Washer, Helical Spring 5/16 Med	4
14	7-68-00025	Screen	1
15	7-81-00134	Support	2
16	2-00-00222	Screw, 1/4 - 20 x 1.250 HHC	12
17	7-20-06004	Fan Duct	1
18	2-00-00641	Nut, Hex Fiber Insert 1/4 - 20	12
19	7-75-01159	Spacer	6
20	2-00-02653	Screw, 5/16 - 18 x 3.500 HHC	4
21	7-16-07276	Fan Cover	1
22	0782-145	Vacuum Motor (Seal Kit: #7-70-00020)	1
23	7-21-04029	Edging	1
24	2-00-04707	Rivet, 1/8 x .312	31
25	7-79-00081	Strap, Gasket Retainer	2
26	7-79-00082	Strap, Gasket Retainer	1
27	2-00-00455	Flat Washer, #10 Brass	31
28	7-79-00087	Strap, Gasket Retainer	2

P-4721/9609

VACUUM MOTOR & FLOAT - EXPLODED VIEW



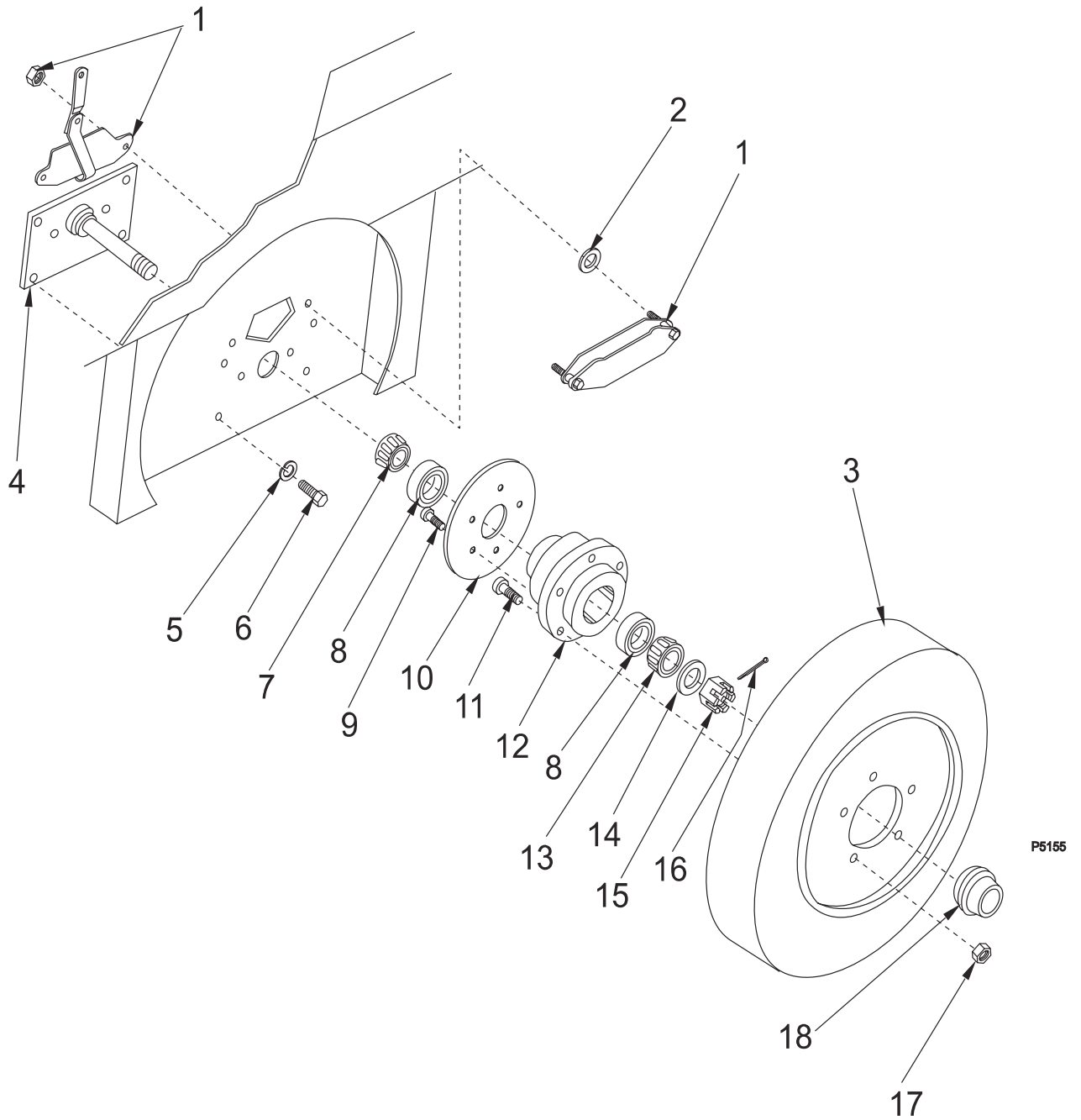
## FRONT WHEEL & BRAKE - PARTS LIST

---

<u>KEY NO.</u>	<u>PART NUMBER</u>	<u>DESCRIPTION</u>	<u>QTY</u>
1	7-08-02006	Brake Caliper Assembly Weldment	1
2	2-00-04953	Flat Washer, 1.062 x .390 x .062	1
3	7-89-08085	Molded Wheel	1
4	7-03-09007	Stub Axle Weldment	1
5	2-00-02312	Lock Washer, Helical Spring ½ Med.	6
6	2-00-02689	Screw, ½ - 20 x 1.000 HHC	6
7	2-00-02079	Roller Bearing, 2.328 x 1.250 x .703	1
8	2-00-04621	Roller Bearing, Cup Only	2
9	2-00-03051	Screw, ¼ - 20 .750 HSHC	5
10	7-08-02007	Brake Disc	1
11	8-80-05036	Stud, ½ - 20 x 1.560	5
12	7-33-09027	Front Wheel Hub	1
13	2-00-04622	Roller Bearing, Cone	1
14	2-00-05024	Washer, 1 1/16 x 2.000	1
15	2-00-05026	Nut, Slotted Hex 1 - 14 UNF	1
16	2-00-02436	Cotter Pin, .187 x 1.500	1
17	8-23-03065	Nut, Chamfered ½ - 20 x .800 x .620	5
18	8-11-00030	Dust Cap	1

P-5155/9809

# FRONT WHEEL & BRAKE - EXPLODED VIEW



P5155



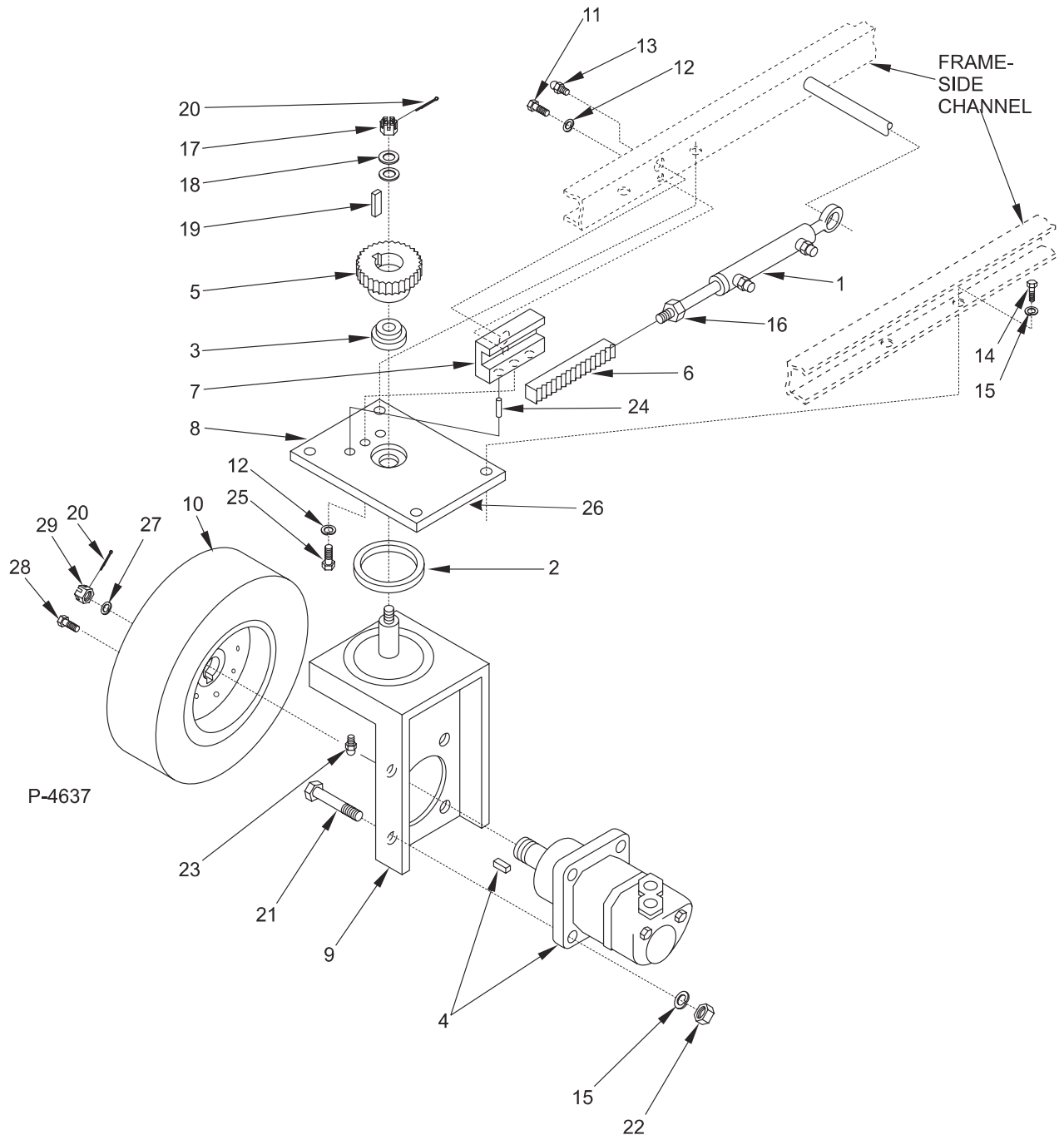
## REAR WHEEL - PARTS LIST

<u>KEY NO.</u>	<u>PART NUMBER</u>	<u>DESCRIPTION</u>	<u>QTY</u>
1	7-17-05010	Power Steering Hydraulic Cylinder	1
2	2-00-04455	Thrust Bearing (TIMKEN -#T581)	1
3	2-00-04456	Cup Bearing (TIMKEN - #15245)	1
4	0885-051-1*	Hydraulic Motor	1
5	7-29-05037	Spur Gear	1
6	7-62-00006	Rack	1
7	7-30-08012	Rack Guide	1
8	7-58-05229	Bearing Plate	1
9	7-81-00125	Rear Fork	1
10	7-89-08071	Wheel Assy.	1
11	2-00-00220	Screw, 1/4 - 20 x .625 HHC	1
12	2-00-00518	Lock Washer, Helical Spring 1/4 Med	2
13	2-00-00566	Lubrication Fitting, Straight 1/8 NPT	1
14	2-00-00240	Screw, 1/2 - 13 x 1.250 HHC	4
15	2-00-02312	Lock Washer, Helical Spring 1/2 Med	8
16	2-00-00591	Nut, Hex Jam 1/2 - 20 x .750 x .312	1
17	2-00-04841	Nut, 3/4-16 x 1.125 x .641 Slotted Hex	1
18	8-75-01157	Flat Washer, 3/4 Series W	2
19	2-00-03761	Key, .250 x 1.750 SQ.	1
20	2-00-00776	Cotter Pin, .125 x 1.500	2
21	2-00-00242	Screw, 1/2 - 13 x 2.250 HHC	4
22	2-00-00596	Nut, Hex 1/2 - 13 x .750 x .437	4
23	2-00-02568	Lubrication Fitting, 45° 1/8 NPT	1
24	2-00-01260	Dowel Pin, .250 x .625	2
25	2-00-03051	Screw, 1/4-20 x .750 SHCS	1
26	7-21-04031	Edging	1
27	2-00-05225	Washer, 1.25 ID x 2.25 OD x .13	1
28	8-80-05035	Stud, Wheel	Ref.
29	8-70-00027	Nut (1 comes w/motor)	1

\*Motor Key (1 comes w/motor): 8-70-00026

P-4637

# REAR WHEEL - EXPLODED VIEW



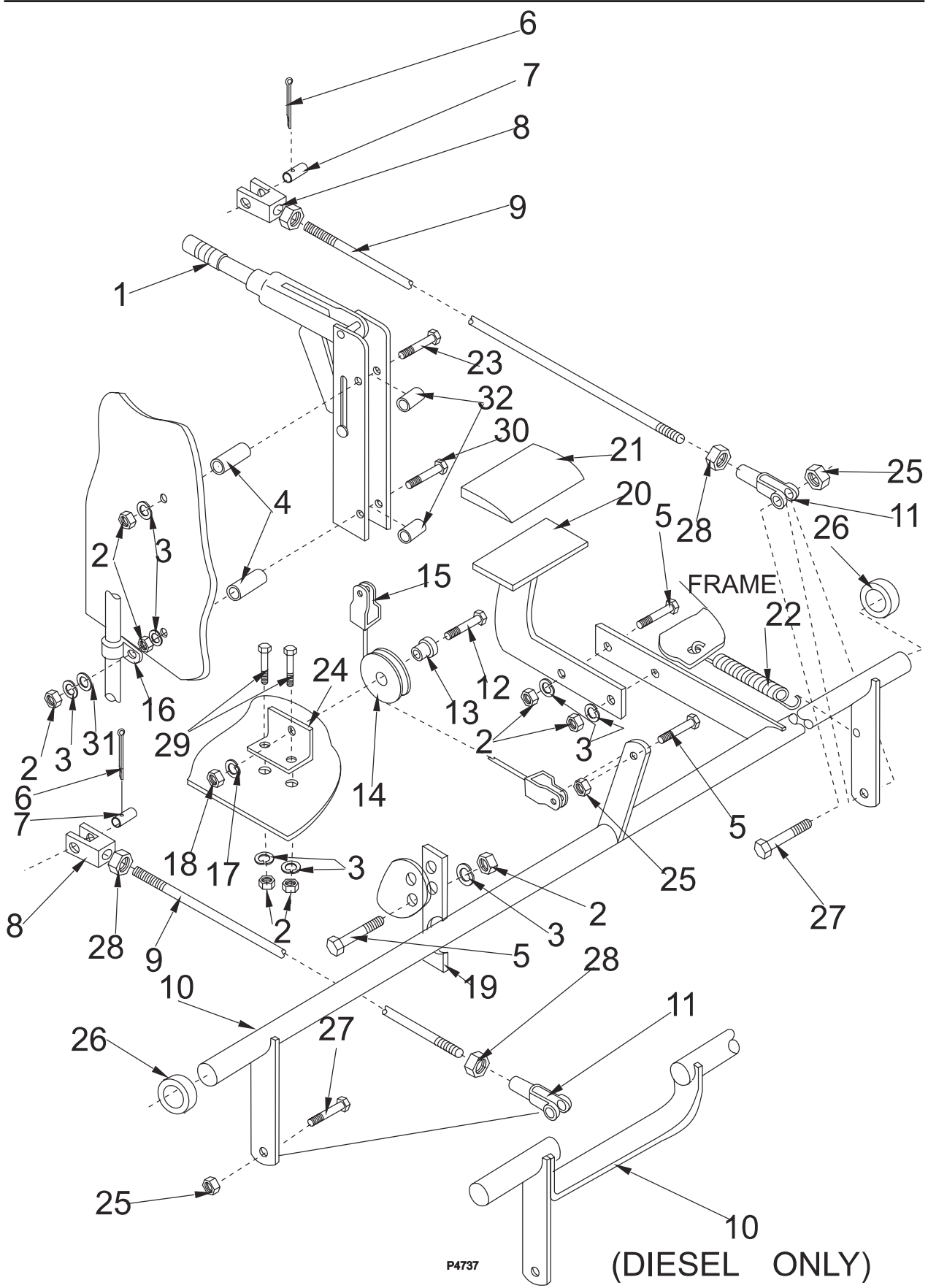
## BRAKE LINKAGE - PARTS LIST

---

<u>KEY NO.</u>	<u>PART NUMBER</u>	<u>DESCRIPTION</u>	<u>QTY</u>
1	7-41-05083	Parking Brake Lever	1
2	2-00-00585	Nut, Hex 5/16 - 18 x .500 x .265	9
3	2-00-00530	Lock Washer, Helical Spring 5/16 Med	9
4	7-75-01096	Lever Mounting Spacer	2
5	2-00-02708	Screw, 5/16 - 18 x 1.000 HHC	5
6	2-00-02428	Cotter Pin, .062 x .750	2
7	7-55-08122	Brake Clevis Pin	2
8	8-14-01007-1	Brake Pedal Clevis	2
9	7-66-00143	Brake Rod	2
10	7-70-05173	Cross Shaft	1
10	7-70-05145	Cross Shaft (Diesel Only)	1
11	8-14-01001	Clevis	2
12	2-00-00234	Screw, 3/8 - 16 x 1.500 HHC	1
13	8-09-01065	Bushing, Flanged .875 x .390 x .650	1
14	8-60-00140	Pulley	1
15	7-10-00019	Parking Brake Cable	1
16	2-00-04873	Cable Clamp, .500	1
17	2-00-02310	Lock Washer, Helical Spring 3/8 Med	1
18	2-00-02360	Nut, Hex 3/8 - 16 x .562 x .328	1
19	7-08-00502	Brake Cross Shaft Bracket	1
20	7-55-00009	Brake Pedal	1
21	7-50-05145	Brake Pedal Pad	1
22	7-76-00102	Spring	1
23	2-00-01770	Screw, 5/16 - 18 x 2.750 HHC	1
24	7-08-00501	Brake Pulley Bracket	1
25	2-00-00644	Nut, Hex Fiber Insert 5/16 - 18	3
26	7-15-01014	Setscrew Collar, 1.625 x 1.000 x .750	2
27	2-00-00207	Screw, 5/16 - 18 x 1.250 HHC	2
28	2-00-02369	Nut, Hex Jam 3/8-16 x .562 x .218	4
29	2-00-00208	Screw, 5/16-18 x .750 HHC	2
30	2-00-02597	Screw, 5/16-18 x 3.250 HHC	1
31	2-00-00409	Flat Washer, .687 x .343 x .062	1
32	7-75-01126	Spacer, .500 x .327 x .780 Part of #1)	2

P-4737/9609

**BRAKE LINKAGE - EXPLODED VIEW**



P4737

(DIESEL ONLY)

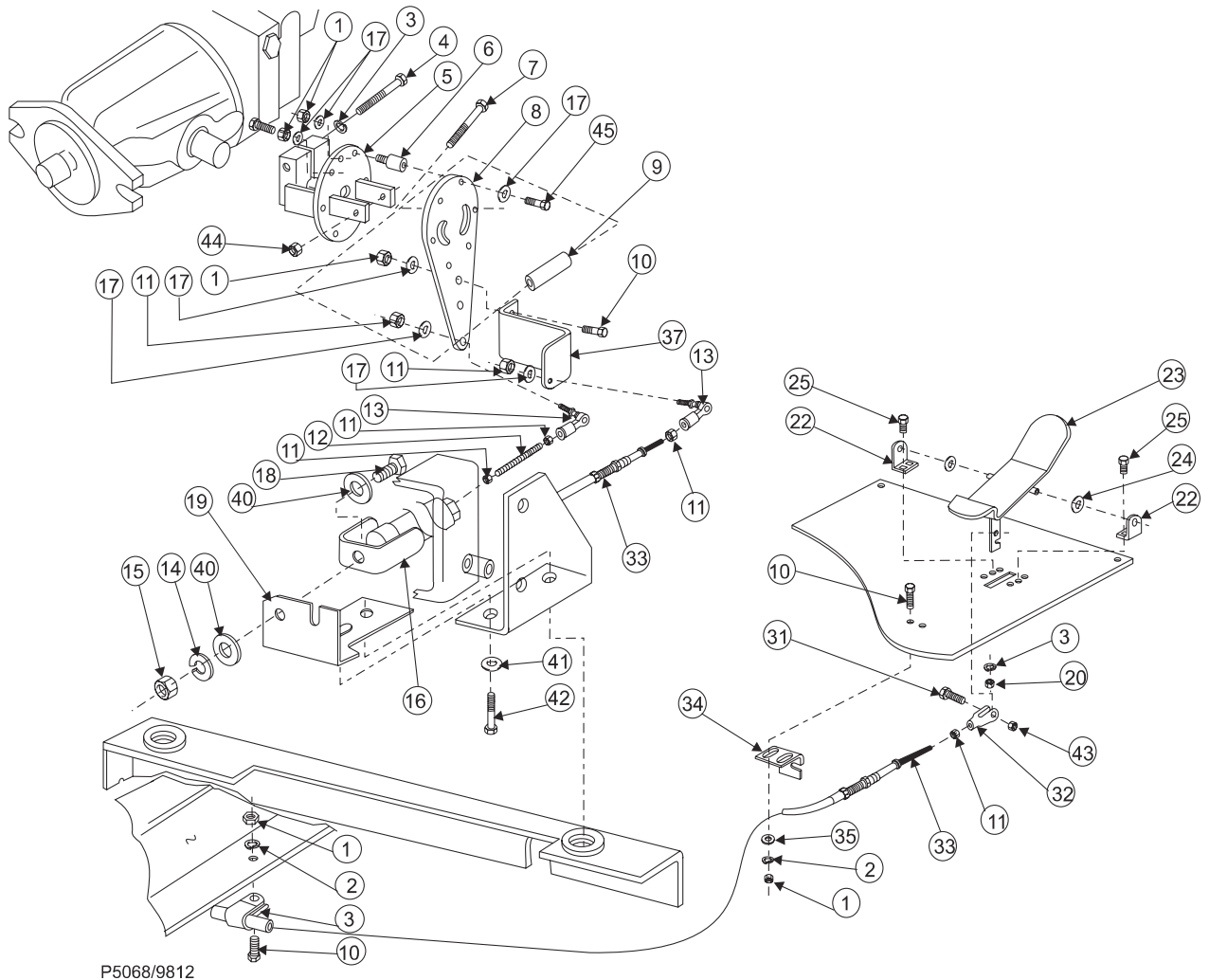
## FORWARD/REVERSE CONTROL (FORD 425) - PARTS LIST

---

<u>KEY NO.</u>	<u>PART NUMBER</u>	<u>DESCRIPTION</u>	<u>QTY</u>
1	2-00-00594	Nut, Hex 1/4 - 20 x .437 x .218	13
2	2-00-00518	Lock Washer, Helical Spring 1/4 Med	3
3	2-00-00530	Lock Washer, Helical Spring 5/16 Med	5
4	2-00-00225	Screw, 5/16-18 x 1.500 HHC	1
5	7-03-04105	Transmission Arm	1
6	7-75-01089	Isolator	6
7	2-00-00246	Screw, 1/4-20 x 2.250 HHC	1
8	7-58-05220	Transmission Arm Plate	1
9	7-75-01110	Spacer	1
10	2-00-00221	Screw, 1/4-20 x .750 HHC	5
11	2-95-01999	Nut, Hex Jam 1/4-28 x .437 x .156	6
12	7-66-00147	Rod, 1/4-28 x 3.000	1
13	7-25-02050	Rod End, 1/4-28	2
14			
15			
16	8-16-00025	Centering Control	1
17	2-00-00501	Lock Washer, 1/4 Int.	17
18			
19	7-08-00917	Bracket Centering Control	1
20	2-00-00585	Nut, Hex 5/16-18 x .500 x.265	4
21			
22	8-08-00327	Forward Reverse Pedal Bracket	2
23	7-55-00010	Forward Reverse Pedal	1
24	2-00-00402	Flat Washer, .750 x .390 x .093	2
25	2-00-03569	Carriage Bolt, 5/16 - 18 x .75	4
26			
27			
28	2-00-00244	Screw, 1/4-20 x 1.00 HHC	1
29			
30			
31	2-00-04563	Screw, #10-24 x .625 x .375 Sh	1
32	8-14-01006	Clevis	1
33	7-16-00009	Forward / Reverse Cable	1
34	8-08-00506	Cable Mounting Bracket	1
35	2-00-00451	Flat Washer, .750 x .312 x .065	2
36	2-00-04602	Hose Clamp, .500	1
37	7-03-04183	Arm, Transmission Link	1
38			
39			
40	2-00-00405	Flat Washer, .750 x .281 x .062	2
41	2-00-02310	Lock Washer, Helical Spring 3/8 Med	1
42	2-00-00232	Screw, 3/8 - 16 x .75 Lg. HHC	1
43	2-00-01246	Nut, Hex Fiber Insert #10-24	1
44	2-00-00641	Nut, Hex Fiber Insert 1/4-20	1
45	2-00-00219	Screw, 1/4-20 x .500 HHC	6

P-5068/9812

# FORWARD/REVERSE CONTROL (FORD 425) - EXPLODED VIEW



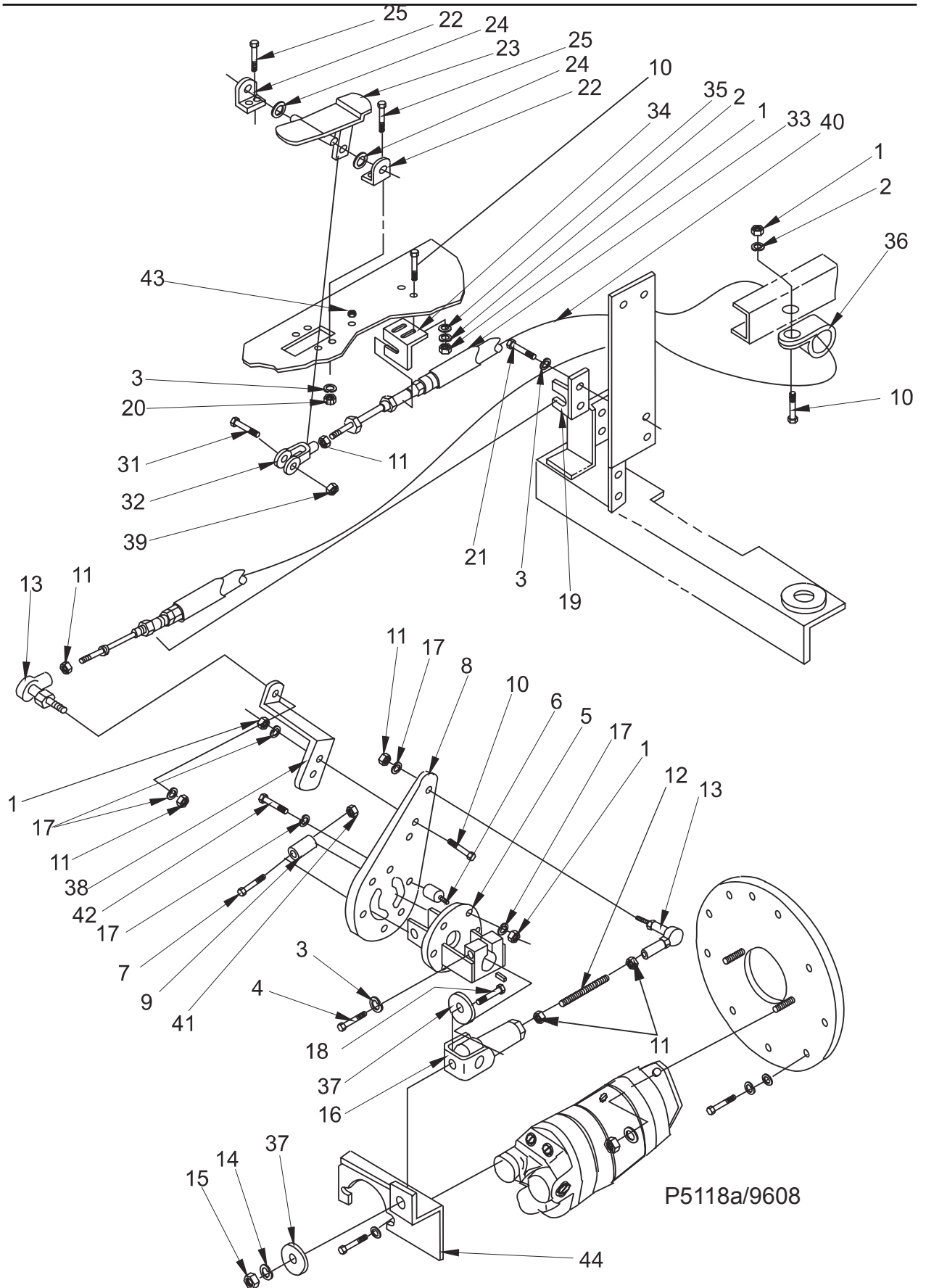
## FORWARD/REVERSE CONTROL (PERKINS 104.19) - PARTS LIST

---

<u>KEY NO.</u>	<u>PART NUMBER</u>	<u>DESCRIPTION</u>	<u>QTY</u>
1	2-00-00594	Nut, Hex 1/4 - 20 x .437 x .218	11
2	2-00-00518	Lock Washer, Helical Spring 1/4 Med	3
3	2-00-00530	Lock Washer, Helical Spring 5/16 Med	5
4	2-00-00225	Screw, 5/16-18 x 1.500 HHC	1
5	7-03-04105	Transmission Arm	1
6	7-75-01089	Isolator, 1/4-20	6
7	2-00-00246	Screw, 1/4-20 x 2.250 HHC	1
8	7-58-05220	Transmission Arm Plate	1
9	7-75-01110	Spacer, Transmission Arm	1
10	2-00-00221	Screw, 1/4-20 x .750 HHC	5
11	2-95-01999	Nut, Hex Jam 1/4-28 x .437 x .156	6
12	7-66-00147	Rod, 1/4-28 x 3.000	1
13	7-25-02050	Rod End, 1/4-28	2
14	2-00-02312	Lock Washer, Helical Spring 1/2 Med	1
15	2-00-02352	Nut, Hex 1/2-13 x .875 x .484	1
16	8-16-00025	Centering Control	1
17	2-00-00501	Lock Washer, 1/4 Int.	16
18	2-00-00240	Screw, 1/2-13 x 1.250 HHC	1
19	7-08-00583	Centering Control Bracket	1
20	2-00-00585	Nut, Hex 5/16-18 x .500 x.265	4
21	2-00-00208	Screw, 5/16-18 x .750 HHC	2
22	8-08-00327	Forward Reverse Pedal Bracket	2
23	7-55-00010	Forward Reverse Pedal	1
24	2-00-00402	Flat Washer, .750 x .390 x .093	2
25	2-00-03569	Carriage Bolt, 5/16 - 18 x .75	4
26			
27			
28			
29			
30			
31	2-00-04563	Screw, #10-24 x .625 x .375 SH	1
32	8-14-01006	Clevis	1
33	7-16-00009	Forward / Reverse Cable	1
34	8-08-00506	Cable Mounting Bracket	1
35	2-00-00406	Flat Washer, .750 x .281 x .062	2
36	2-00-04602	Hose Clamp, .500	1
37	2-00-00405	Flat Washer, .500	2
38	7-03-04106	Transmission Arm	1
39	2-00-01246	Nut, Hex Fiber Insert #10-24	1
40	7-34-09018	Insulating Sleeve	1
41	2-00-00641	Nut, Hex Fiber Insert 1/4-20	1
42	2-00-00219	Screw, 1/4-20 x .500 HHC	6
43	2-00-00491	Grommet	1
44	7-08-00585	Hydroback Bracket	1

P-5118a

# FORWARD/REVERSE CONTROL (PERKINS 104.19) - EXPLODED VIEW





## MAIN FRAME - PARTS LIST

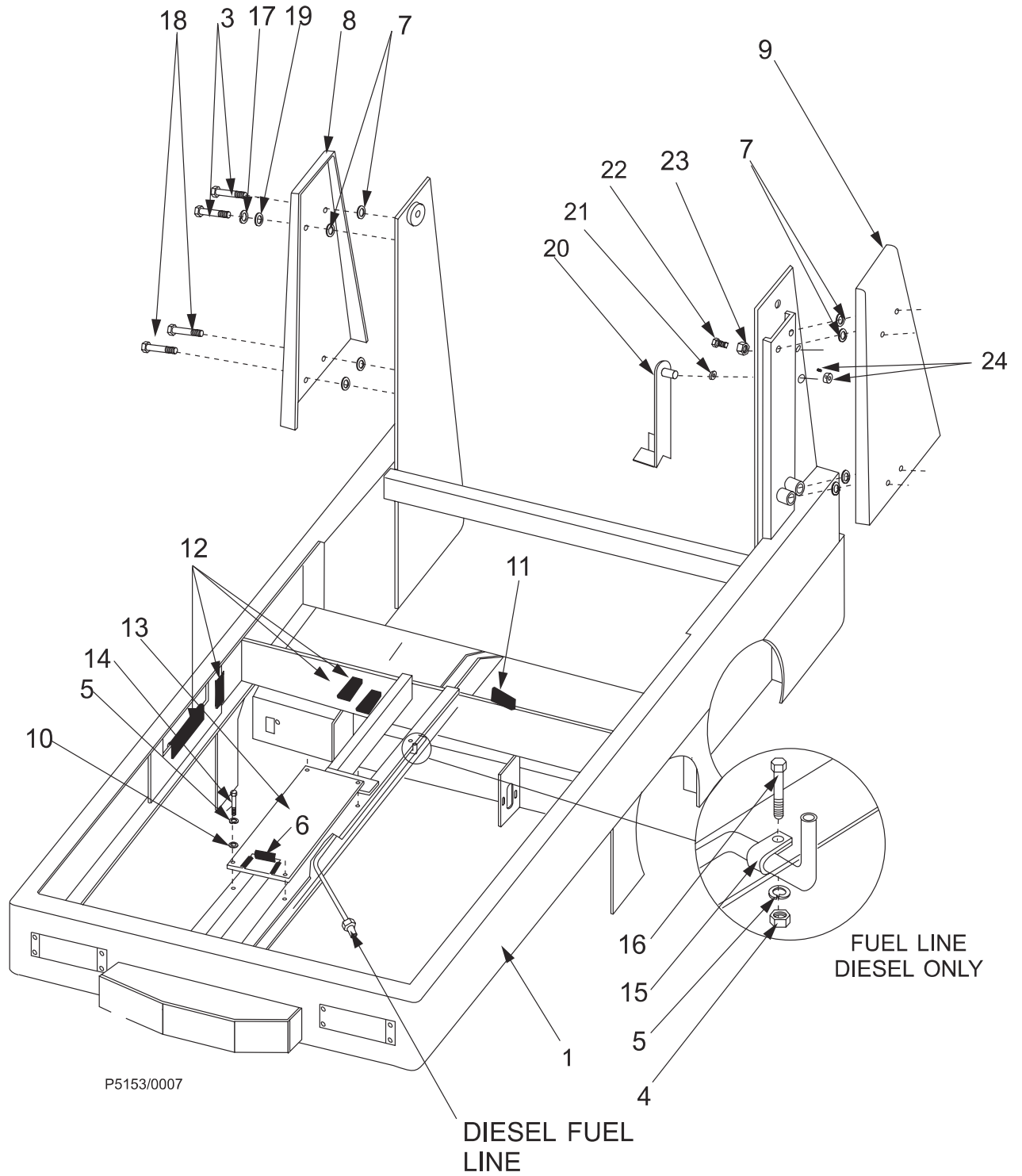
---

<u>KEY NO.</u>	<u>PART NUMBER</u>	<u>DESCRIPTION</u>	<u>QTY.</u>
1	7-27-07173	Main Frame	1
2*			
3*	2-00-00208	Screw, 5/16 - 18 x .750 HHC	4
4*	2-00-00594	Nut, Hex 1/4 - 20 x .437 x .218	2
5	2-00-00518	Lock Washer, Helical Spring 1/4 Med.	5
6*	2-00-04015	Edging	1
7*	2-00-00409	Flat Washer, .687 x .343 x .062	8
8*	7-16-07313	Support Wing Cover	1
9	7-16-07314	Support Wing Cover	1
10	2-00-00407	Flat Washer, .562 x .265 x .062	8
11	7-21-04030	Edging	1
12	7-21-04031	Edging	5
13	7-16-07386	Steering Gear Cover	1
14	2-00-00221	Screw, 1/4 - 20 x .750 HHC	4
15	2-00-04378	Clamp, .281	1
16	2-00-00221	Screw, 1/4 - 20 x .750 HHC	1
17*	2-00-00530	Lock Washer 5/16 Med HS	8
18*	2-00-00225	Screw - 5/16-18 x 1.50 Lg HHC	4
19*	7-75-01803	Flatwasher - 1.063 x .328 x .062	8
20	7-81-00189	Safety Arm	1
21*	7-75-01167	Spacer	1
22*	2-00-05187	Carriage Bolt 3/8-16 x 1.25"	1
23	2-00-02369	Nut - Hex Jamb 3/8-16	1
24	8-15-01003	Set Screw Collar - .750 I.D.	1

\*Used on Variable Dump Machines Only.

P-5153/9606

# MAIN FRAME - EXPLODED VIEW

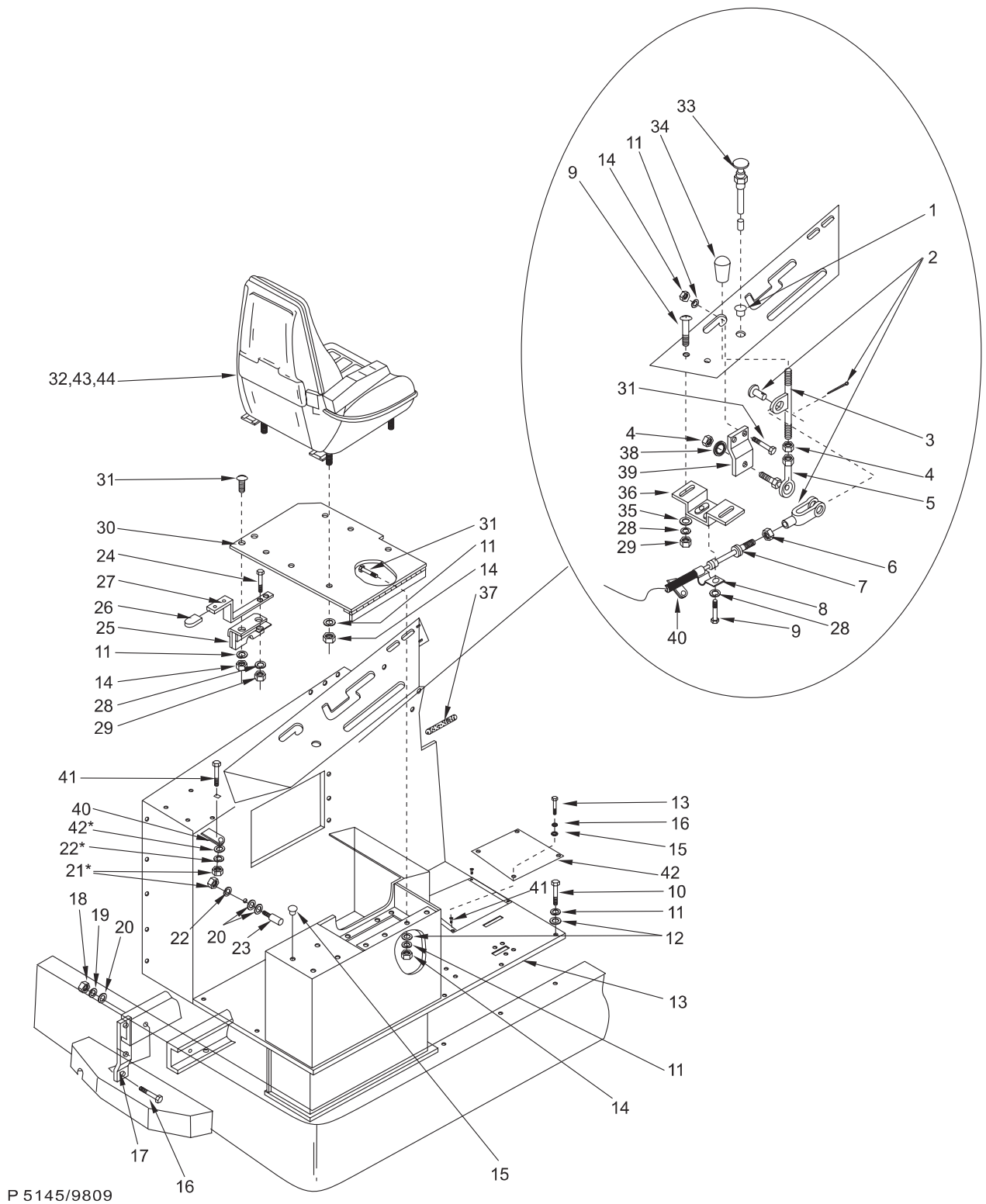


## DRIVER COMPARTMENT - PARTS LIST

<u>KEY NO.</u>	<u>PART NUMBER</u>	<u>DESCRIPTION</u>	<u>QTY</u>
1	2-00-02011	Plastic Plug, .440 Dia. (LP & Diesel Only)	1
2	7-14-07006	Clevis	1
3	7-41-05092	Throttle Handle	1
4	2-95-01999	Nut, Hex Jam 1/4-28 x .437 x .156	2
5	7-25-02050	Rod End, 1/4-28	1
6	2-00-00626	Nut, Hex MS #10-32 x .375 x .125	1
7	7-10-00024	Throttle Cable, (Diesel Only)	
7	8-10-00033	Throttle Cable, (Gas Only)	1
8	8-13-07094	Clamp	1
9	2-00-03061	Screw, #10-24 x .500 THM	4
10	2-00-00221	Screw, 1/4-20 x .75 HHC	6
11	2-00-00518	Lock Washer, Helical Spring 1/4 Med	14
12	2-00-03702	Flat Washer, .625 x .281 x .062	10
13	7-70-08005	Driver Compartment Cover	1
14	2-00-00594	Nut, Hex 1/4-20 x .437 x .218	8
15	2-00-04514	Plastic Plug, .562 Dia. (Diesel only)	4
15	2-00-04514	Plastic Plug, .562 Dia. (Gas/LP only)	4
16	2-00-00233	Screw, 3/8-16 x 1.000 HHC	1
17	7-08-00845	Drive Compartment Support Bracket	1
18	2-00-00620	Nut, Hex 7/16-14	1
19	2-00-01879	Lock Washer, 7/16	1
20	2-00-00402	Flat Washer, .750 x .390 x .062	3
21	2-00-00585	Nut, Hex 5/16-18 x .500 x .265	1
22	2-00-00530	Lock Washer, Helical Spring 5/16 Med	1
23	7-55-08116	Striker Pin	1
24	2-00-04794	Screw, #10-24 x .625 BHS	2
25	8-41-00037	Rotary Latch	1
26	7-31-06061	Grip	1
27	7-31-06076	Handle	1
28	2-00-00519	Lock Washer, Helical Spring #10 Med	6
29	2-00-00605	Nut, Hex MS #10-24 x .375 x .125	4
30	7-16-07281	Cover	1
31	2-00-00220	Screw, 1/4-20 x .625 HHC	8
32	7-69-00003	Seat	1
33	7-16-00016	Choke (Gas Only)	1
34	7-39-00017	Knob	1
35	2-00-00426	Flat Washer, .500 x .218 x .062	2
36	7-08-00590	Throttle Control Clamp	1
37	8-21-04019	Edging	1
38	2-00-00501	Lock Washer, 1/4 Int	1
39	7-08-00589	Throttle Control Bracket	1
40			
41	2-00-05261	Riv-Nut - 1/4 - 20 THD	1
42	7-03-04165	Arm Rest Kit	1
43	7-72-05005	Slide Adjuster Kit	1
44	7-03-04165	Arm Rest Kit	1
45			
46			
47	2-00-04873	Clamp	1
48	2-00-00196	Carriage Bolt, 5/16-18 x 1.00	1
49	2-00-00409	Flat Washer, .687 x .344 x .062	1

P-5145/9707

# DRIVER COMPARTMENT - EXPLODED VIEW



## HYDRAULIC HOSE SYSTEM (VARIABLE DUMP) - PARTS LIST

---

<u>KEY NO.</u>	<u>PART NUMBER</u>	<u>DESCRIPTION</u>	<u>QTY</u>
1^	8-33-02277	Hydraulic Hose ORS 4-Str. Ends 110" LG.	2
3^	8-33-02328	Hydraulic Hose ORS 4-90° to Str. 78.5" LG.	1
4^	7-33-02194	Hydraulic Hose ORS 4-90° to Str. 80" LG.	1
5^	7-33-02332	Hydraulic Hose ORS 8-90° to Str. 102"	2
7+	8-33-02327	Hydraulic Hose ORS 8-Str. Ends 94"	1
7*	8-33-02195	Hydraulic Hose ORS 8 - Str Ends 69.5"	1
8+^	7-33-02225	Hydraulic Hose ORS 4-90° to Str. 38"	1
9+	7-33-02189	Hydraulic Hose ORS 4-90° to Str. 26"	2
10+^	8-33-02218	Hydraulic Hose ORS 4 Ends 60"	2
11	8-33-02178	Hydraulic Hose ORS 4-Str. to Str. 15" LG.	1
12+	7-33-02223	Hydraulic Hose ORS 8-45° to Str. 87"	2
12*	7-33-02200	Hydraulic Hose ORS 8-45° to Str 77"	1
13+	8-33-02202	Hydraulic Hose ORS 8-90° to Str. 20"	1
15+	7-33-02191	Hydraulic Hose ORS 4-90° to Str. 42"	1
17+	7-33-02225	Hydraulic Hose ORS 4-Str. to 90° 38" LG.	1
18+	8-33-02218	Hydraulic Hose ORS 4-Str. Ends 60"	1
19	8-33-02320	Hydraulic Hose ORS 4 90°to Str. 64"	2
20	7-33-02327	Hydraulic Hose ORS 8-90° to Str. 15.25"	1
21+	7-33-02334	Hydraulic Hose ORS 4-90° to Str. 52.25"	1
22+	7-33-02546	Hydraulic Hose ORS 8-90° to Str. 42.5"	1
24+	8-33-02214	Hydraulic Hose ORS 8-Str. Ends 29"	2
26+	7-33-02403	Hydraulic Hose, ORS 4-90° to Str. 29"	1
27^	8-33-02178	Hydraulic Hose ORS 4-Str. Ends 15"	1
28^	8-33-02201	Hydraulic Hose ORS 8-45° to Str, 18"	1
29+	7-33-02189	Hydraulic Hose ORS 4 Str. Ends 66"	1
31	7-33-02201	Hydraulic Hose ORS 8-Str. to JIC Str. 20.5"	1
32	7-33-02326	Hydraulic Hose ORS 8-90° to Str. 17"	1
33	2-00-04987	ORFS Union, 13/16-16	1
38+	7-33-02190	Hydraulic Hose ORS 4 - 90° to Str. 67"	1

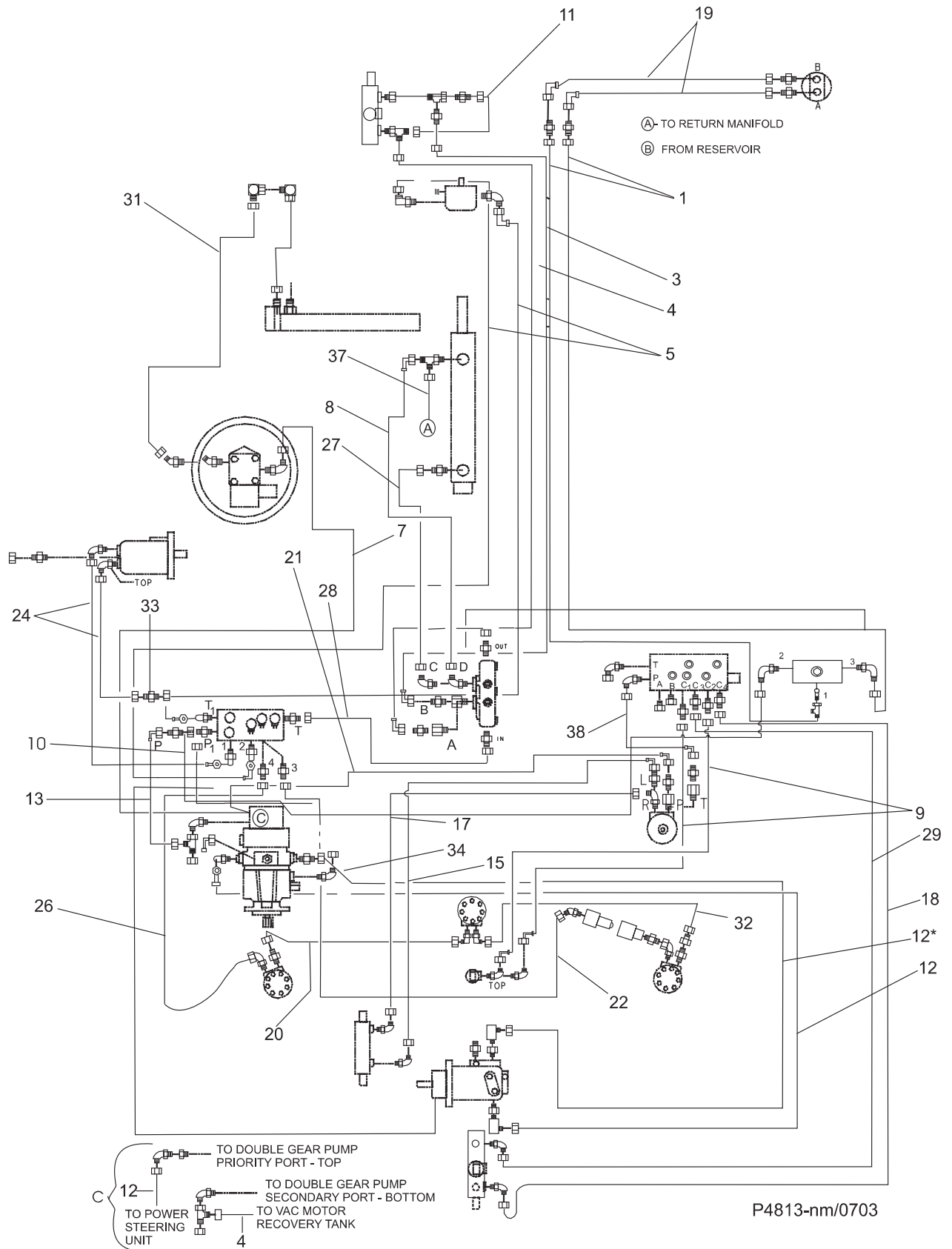
\*Used on Diesel-Powered Machines Only

+Components of 0760-493, 7760 common hydraulic hose kit.

^Components of 0760-494, 7760 VD hydraulic hose kit.

P-4813nm/0703

# HYDRAULIC HOSE SYSTEM (VARIABLE DUMP) - EXPLODED VIEW



## HYDRAULIC HOSE SYSTEM (MANUAL DUMP) - PARTS LIST

---

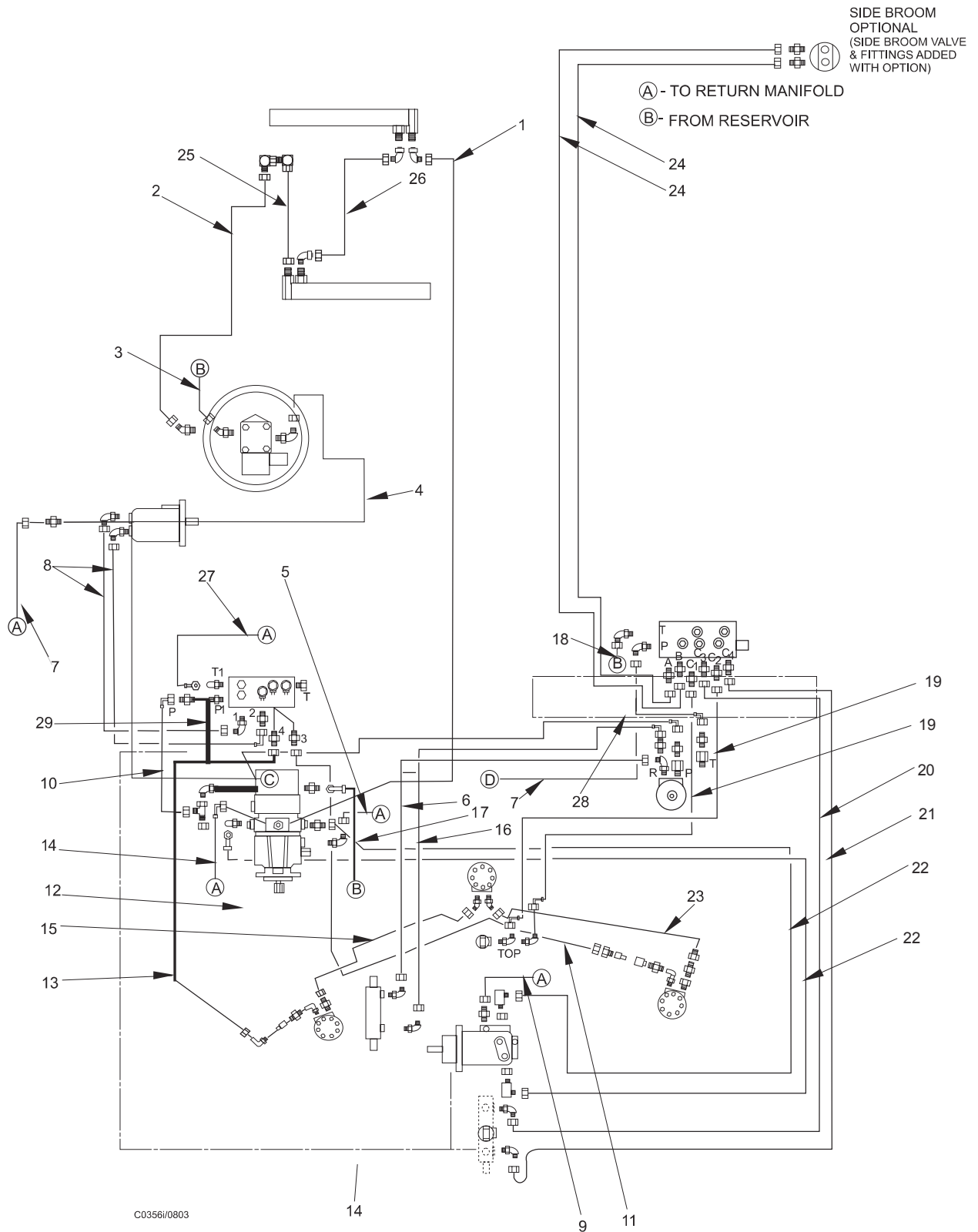
<u>KEY NO.</u>	<u>PART NUMBER</u>	<u>DESCRIPTION</u>	<u>QTY</u>
1	7-33-02202	Hydraulic Hose ORS 8 Str. to JIC 8 Str. 69"	1
2	7-33-02201	Hydraulic Hose ORS 8-Str. to JIC 8 Str. 20.5"	1
3+	7-33-02224	Hydraulic Hose ORS 4-90° to Str. 155"	1
4+	8-33-02327	Hydraulic Hose ORS 8-Str. to 8 Str. 94"	1
*	8-33-02195	Hydraulic Hose ORS 8-Str. to 8 Str. 69.5"	1
5+	7-33-02186	Hydraulic Hose ORS 4-Str. Ends 30"	1
6+	7-33-02225	Hydraulic Hose ORS 4-90° to Str. 38"	1
7+	8-33-02200	Hydraulic Hose ORS 4-90° to Str. 55"	2
8+	8-33-02214	Hydraulic Hose ORS 4-Str. to 4 Str. 29"	3
9+	8-33-02184	Hydraulic Hose ORS 4-Str. to 4 Str. 50.5"	1
10+	8-33-02202	Hydraulic Hose ORS 8-90° to 8 Str. 20"	1
11+	7-33-02325	Hydraulic Hose ORS 8-45° to 8 Str. 34"	1
12+	7-33-02334	Hydraulic Hose ORS 4-90° to 4 Str. 52.25"	1
13+	7-33-02205	Hydraulic Hose ORS 8-45° to 8 Str. 16.25"	1
14+	7-33-02197	Hydraulic Hose ORS 8-45° to 8 Str. 52.50"	1
15	7-33-02327	Hydraulic Hose ORS 8-90° to 12 Str. 15.25"	1
16+	7-33-02191	Hydraulic Hose ORS 4-90° to Str. 42"	2
17+	7-33-02331	Hydraulic Hose ORS 16-Str. Ends 46"	1
18+	7-33-02225	Hydraulic Hose ORS 4-90° to Str. 38"	1
19+	7-33-02189	Hydraulic Hose ORS 4-90° to Str. 26"	2
20+	8-33-02218	Hydraulic Hose ORS 4-Str. Ends 60"	1
21+	8-33-02189	Hydraulic Hose ORS 4-Str. Ends 56"	1
22+	7-33-02223	Hydraulic Hose ORS 8-45° to Str. 87"	2
*	7-33-02200	Hydraulic Hose ORS Str. To 45° 77"	1
23	7-33-02326	Hydraulic Hose ORS 8-90° to 8 Str. 17"	1
24	8-33-02216	Hydraulic Hose ORS 4-Str. Ends 88" (OPTION)	2
25	7-33-02244	Hydraulic Hose Raw Ends 1.00 I.D.	1
26	7-33-02316	Hydraulic Hose, 8-Str. to JIC-8 Str. 69"	1
27+	7-33-02180	Hydraulic Hose ORS 4-Str. to 4 Str. 37"	1
28+	7-33-02190	Hydraulic Hose ORS 4-90° to Str. 67"	1
29	7-33-02184	Hydraulic Hose ORS 4-Str. Ends 25.5" (OPTION)	1

\* Diesel Only

+ Hoses are components of 0760-493 7760 common hydraulic hose kit.

C-0356i/0803

# HYDRAULIC HOSE SYSTEM (MANUAL DUMP) - EXPLODED VIEW





## SUCTION & RETURN HOSES (VARIABLE DUMP) - PARTS LIST

---

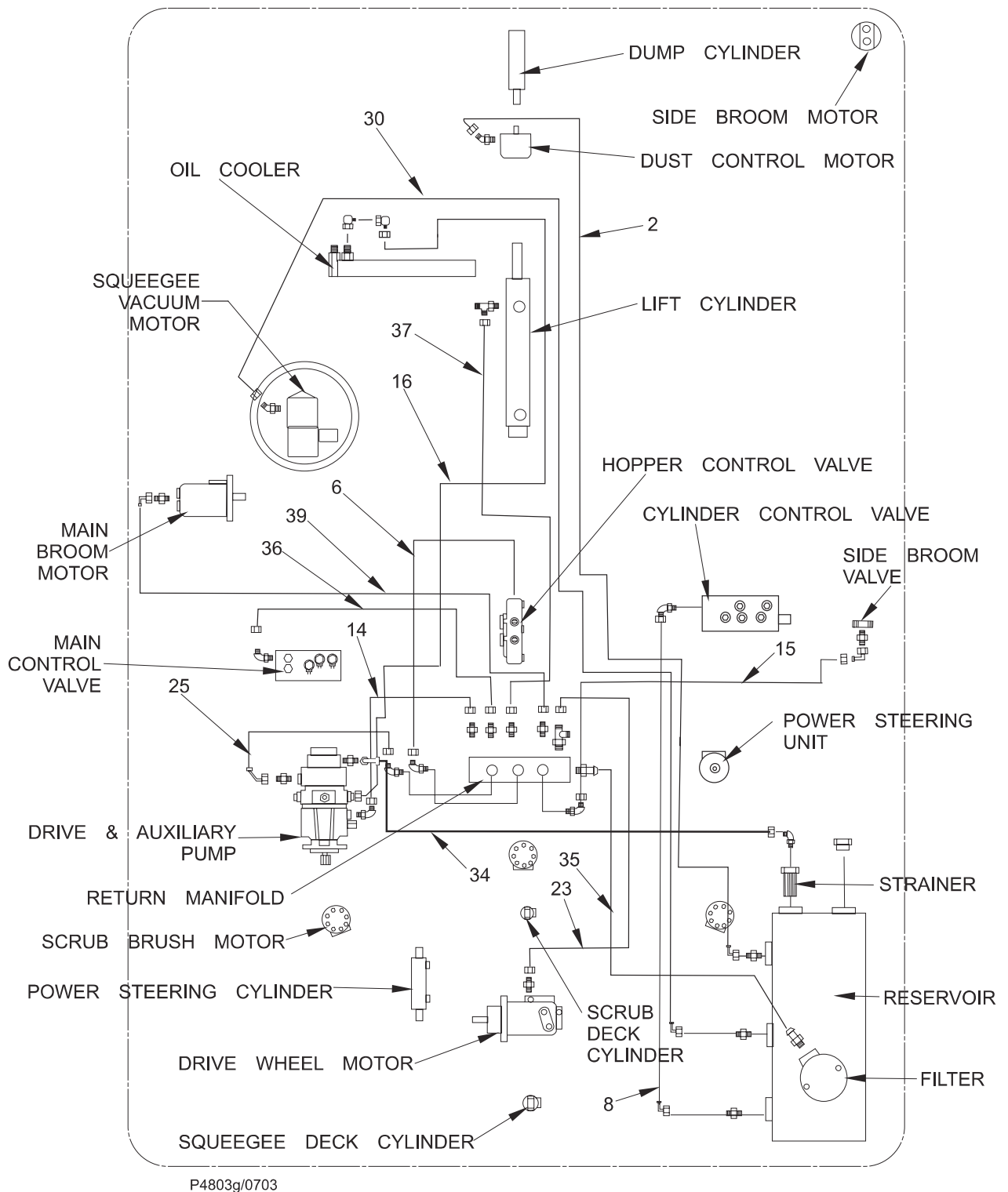
<u>KEY NO.</u>	<u>PART NUMBER</u>	<u>DESCRIPTION</u>	<u>QTY</u>
2*	7-33-02333	Hydraulic Hose ORS 4-90° to Str. 119"	1
6*	7-33-02187	Hydraulic Hose ORS 8-Str. 42"	1
8*	7-33-02225	Hydraulic Hose ORS 4-90° to Str. 38"	1
14#	7-33-02186	Hydraulic Hose ORS 4 - Str. Ends 30"	1
15#	7-33-02191	Hydraulic Hose ORS 4 - 90° to Str. 42"	1
16*	7-33-02433	Hydraulic Hose ORS 8 Str. to JIC 8 Str. 74"	1
23#	8-33-02184	Hydraulic Hose ORS 4-Str. Ends 50.5"	1
25#	7-33-02197	Hydraulic Hose ORS 8-45° to Str. 52.5"	1
30#	7-33-02224	Hydraulic Hose ORS 4-90° to Str. 155"	1
34#	7-33-02331	Hydraulic Hose ORS 16-Str. Ends 46"	1
35#	7-33-02244	Hydraulic Hose 1.00 ID Hydraulic 33"	1
36#	7-33-02180	Hydraulic Hose ORS 4 - Str. Ends 37"	1
37*	8-33-02183	Hydraulic Hose ORS 4 - Str. 49"	1
39#	8-33-02200	Hydraulic Hose ORS 4-90° to Str. 55"	1

#Components of 0760-493, 7760 common hydraulic hose kit.

\*Components of 0760-494, 7760 VD hydraulic hose kit.

P4803g/0703

## SUCTION & RETURN HOSES (VARIABLE DUMP) - EXPLODED VIEW



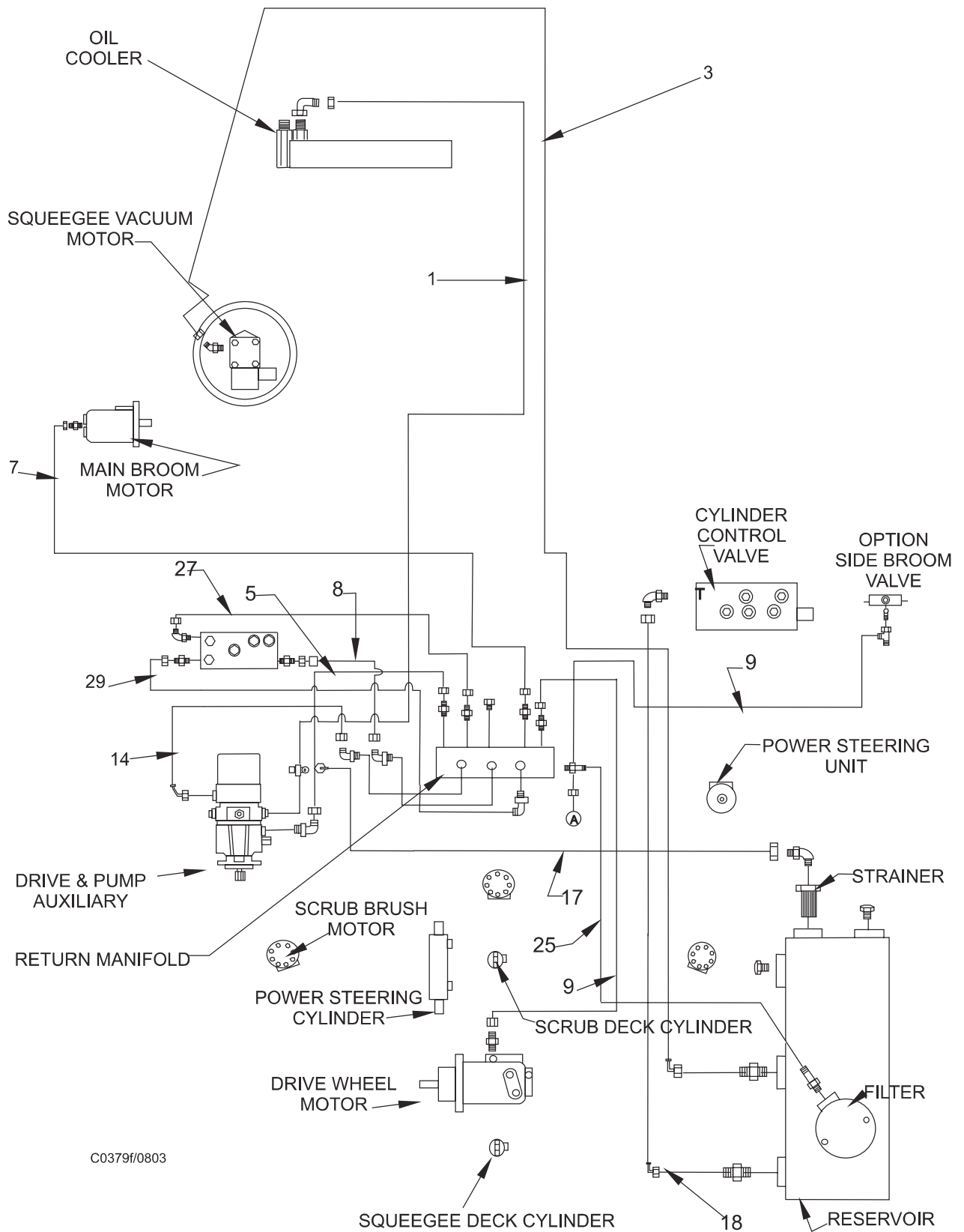
## SUCTION & RETURN HOSES (MANUAL DUMP) - PARTS LIST

---

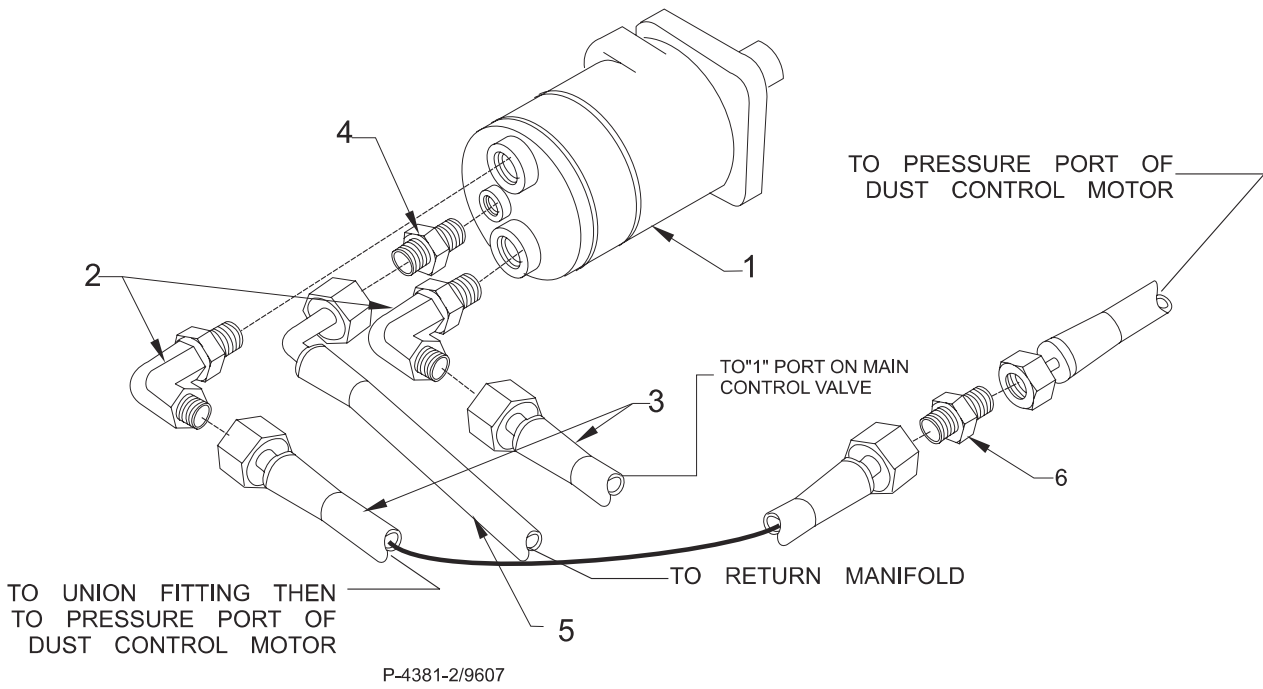
<u>KEY NO.</u>	<u>PART NUMBER</u>	<u>DESCRIPTION</u>	<u>QTY</u>
1	7-33-02202	Hydraulic Hose ORS 8 Str. to JIC 8 Str. 69"	1
2			
3	7-33-02224	Hydraulic Hose ORS 4-90° to Str. 155"	1
4			
5	7-33-02186	Hydraulic Hose ORS 4-Str. Ends 30"	1
6			
7	8-33-02200	Hydraulic Hose ORS 4-90° to Str. 55"	2
8	8-33-02214	Hydraulic Hose ORS 4-Str.to 4 Str. 29"	3
9	8-33-02184	Hydraulic Hose ORS 4-Str. to 4 Str. 50.5"	1
10			
11			
12			
13			
14	7-33-02197	Hydraulic Hose ORS 8-45° to 8 Str. 52.50"	1
15			
16			
17	7-33-02331	Hydraulic Hose ORS 16-Str. Ends 46"	1
18	7-33-02225	Hydraulic Hose ORS 4-90° to Str. 38"	1
19			
20			
21			
22			
23			
24			
25	7-33-02244	Hydraulic Hose, 1.000 dia. x 33.000" long	1
26			
27	7-33-02180	Hydraulic Hose ORS 4-Str. to 4 Str. 37"	1
28			
29	7-33-02184	Hydraulic Hose ORS 4-Str. Ends 25.5" (OPTION)	1

C-0379f/0803

## SUCTION & RETURN HOSES (MANUAL DUMP) - EXPLODED VIEW



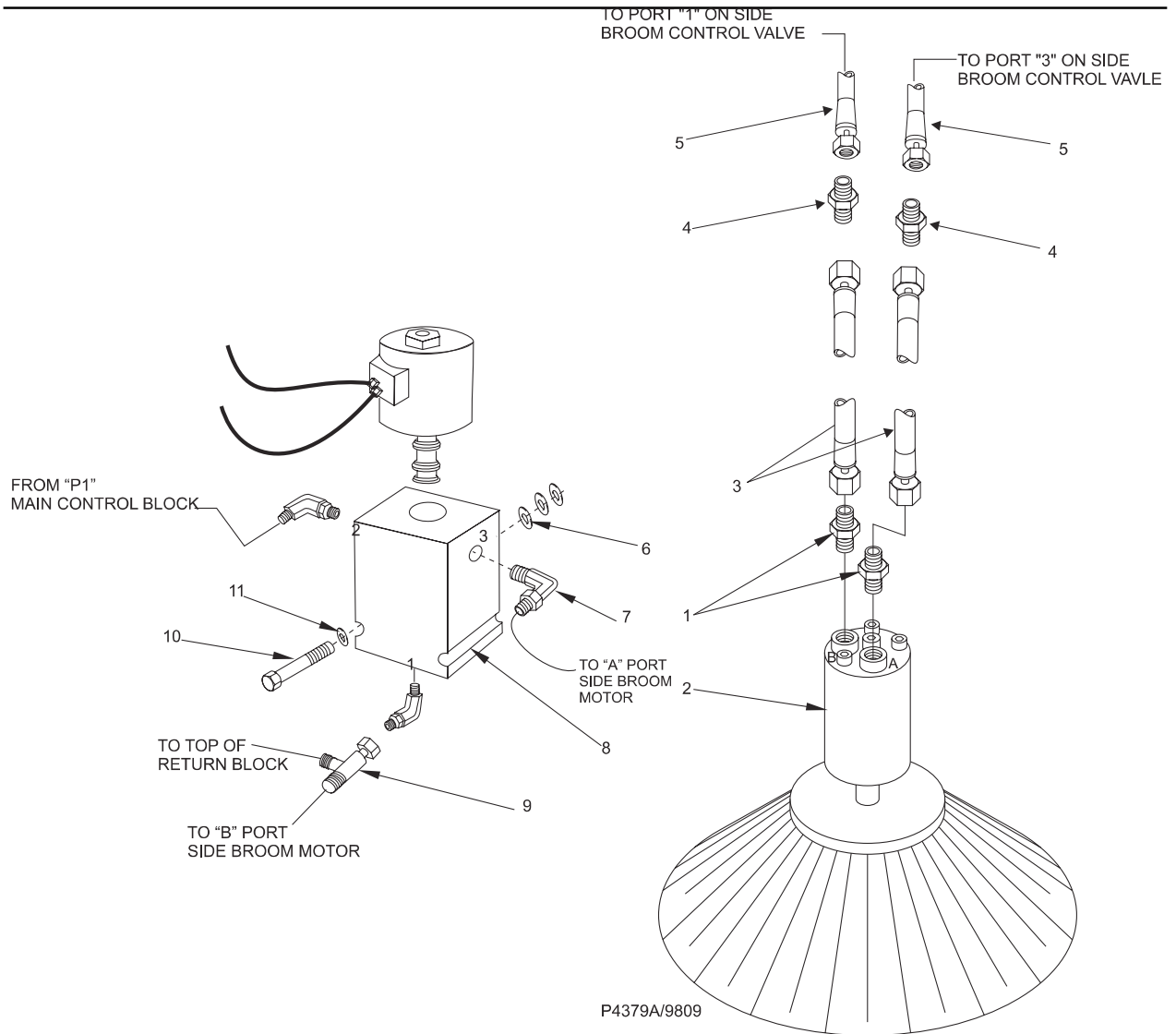
# MAIN BROOM & FITTINGS



KEY NO.	PART NUMBER	DESCRIPTION	QTY
1	0882-040	Main Broom Motor	1
	0880-448	Seal Kit for Motor 0882-040	
2	2-00-04885	ORFS 90° Elbow, 3/4-16 to 13/16-16	2
3	8-33-02214	Hose	Ref.
4	2-00-04895	ORFS Connector, 7/16-20 to 9/16-18	1
5	8-33-02200	Hose	Ref.
6	2-00-04987	ORFS Union, 13/16 - 16	Ref.

P-4381-2/9609

## SIDE BROOM & FITTINGS



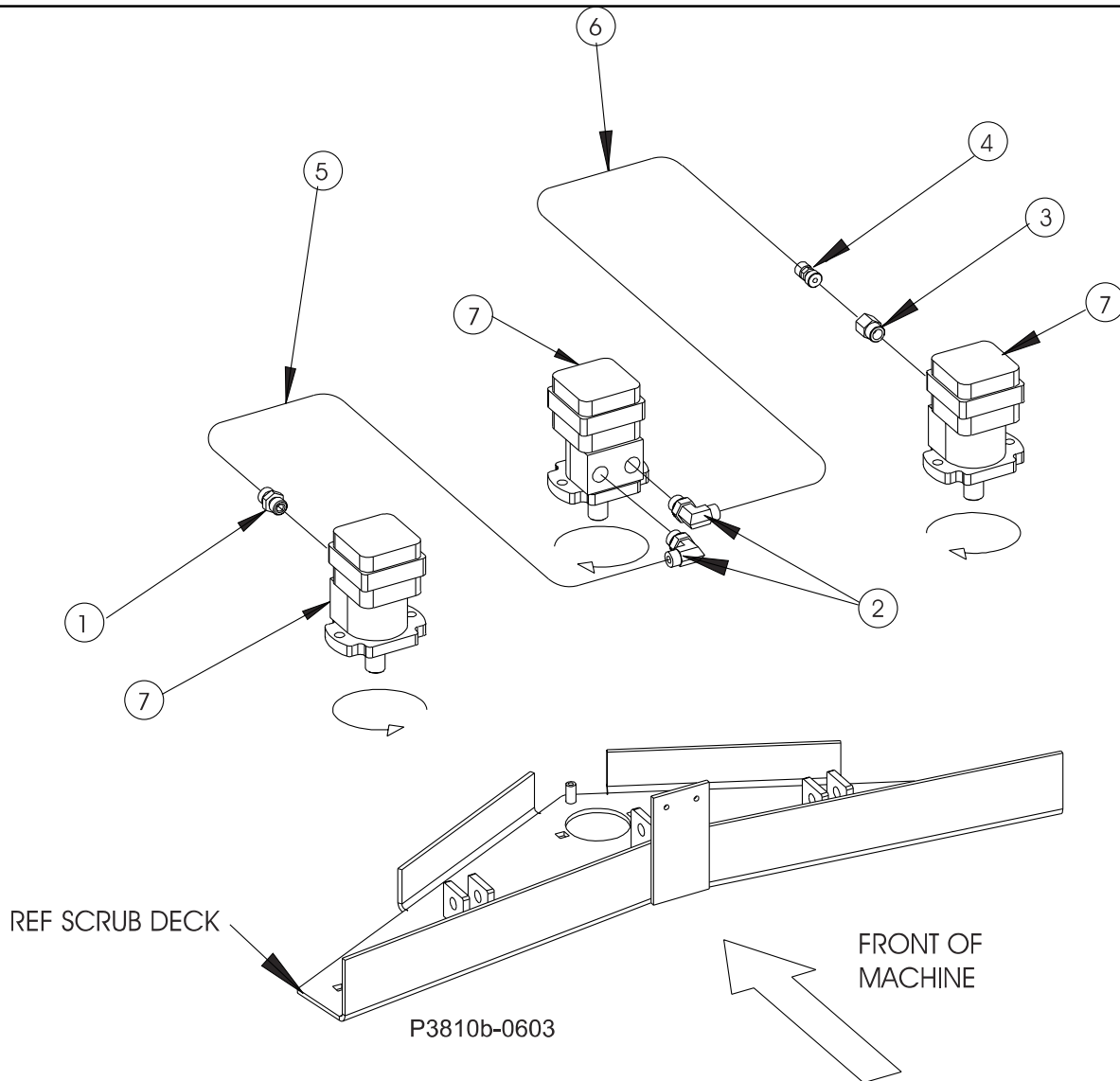
KEY NO.	PART NUMBER	DESCRIPTION	QTY
1	2-00-04918	ORFS Connector, 9/16-18	2
2	0885-061	Hydraulic Motor	1
	0880-293	Seal Kit for 0880-293 (Up to Serial Number 750056)	1
	0780-144	Seal Kit for 0880-293 (Serial Number 750056 & Above)	1
3	7-33-02181	Hose	Ref.
4	2-00-05373	Fitting, Union 9/16 - 18 ORS	2
5	7-33-02330	Hose	Ref.
6	2-00-03702	Washer, Flat	6
7	2-00-04926	Fitting, 90°	3
8	7-88-00077	Valve, Housing - 3 way	1
9	2-00-05162	Fitting, Run tee	1
10	2-00-02589	Screw	2
11	2-00-00518	Lock Washer	2

P-4379-1/9809

American-Lincoln  
7760

2-69

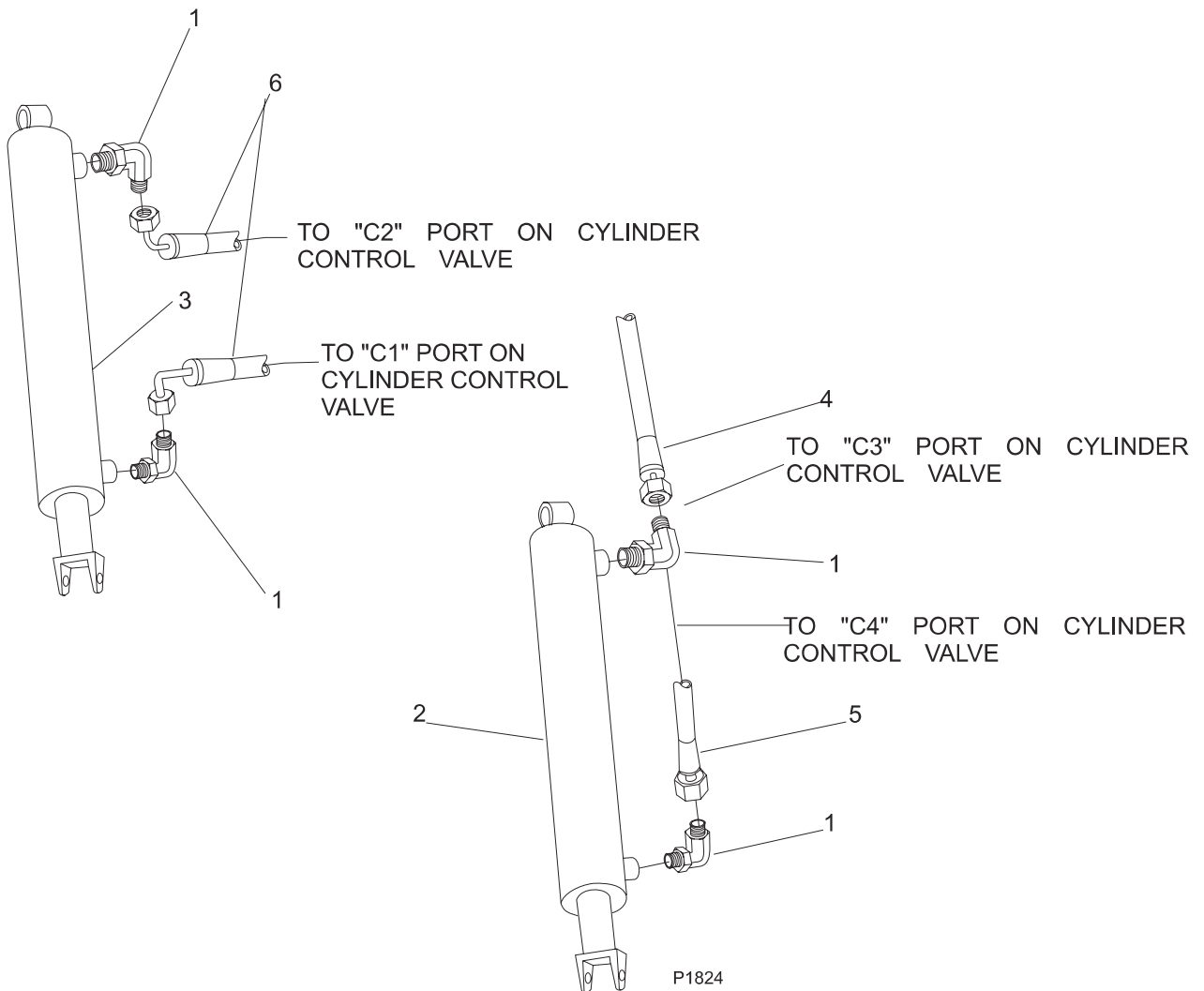
# SCRUB MOTORS & FITTING



<b>KEY NO.</b>	<b>PART NUMBER</b>	<b>DESCRIPTION</b>	<b>QTY</b>
1	2-00-04974	Fitting - 10 SAE - 8 ORS	1
2	2-00-04921	Fitting - 10 SAE - 90° - 8 ORS	4
3	2-00-04990	Fitting - 10 SAE - 8 ORS	1
4	2-00-04970	Fitting - 8 SAE - 8 ORS	1
5	7-33-02326	Hose - 17" 90° End	1
6	7-33-02327	Hose - 15.25" 90° End	1
7	0782-111 0780-070	Scrub Motor Hyd. Seal Kit for Motor 0782-111	3

P-3810-B/0603

## SQUEEGEE, SCRUB DECK CYLINDERS, & FITTINGS



<b>KEY NO.</b>	<b>PART NUMBER</b>	<b>DESCRIPTION</b>	<b>QTY</b>
1	2-00-04892	ORFS 90° Elbow, 7/16-20 to 9/16-18	4
2	7-17-05019	Hydraulic Cylinder (Squeegee)	1
3	7-17-05011	Hydraulic Cylinder (Scrub Deck)	1
4	8-33-02189	Hose	Ref.
5	8-33-02218	Hose	Ref.
6	7-33-02189	Hose	Ref.

P-4824/9609



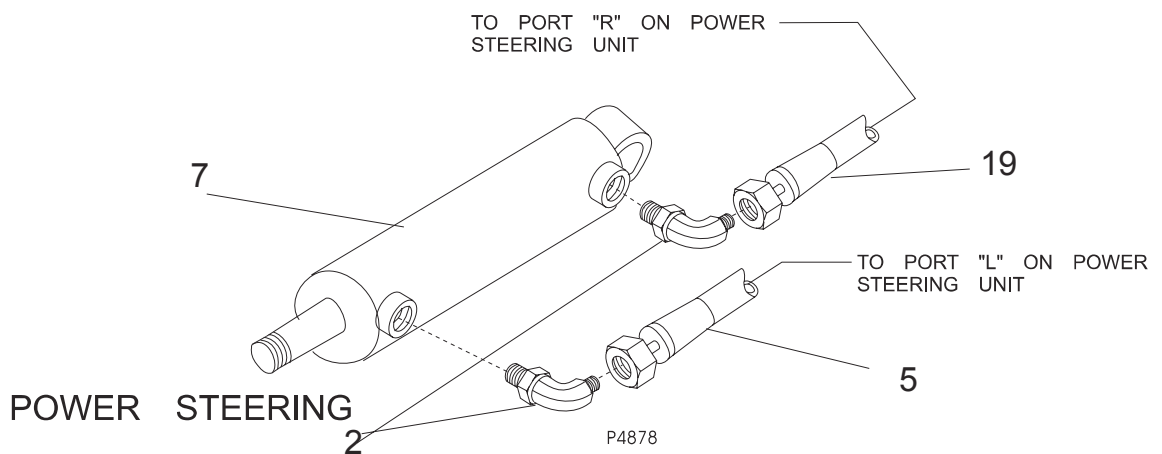
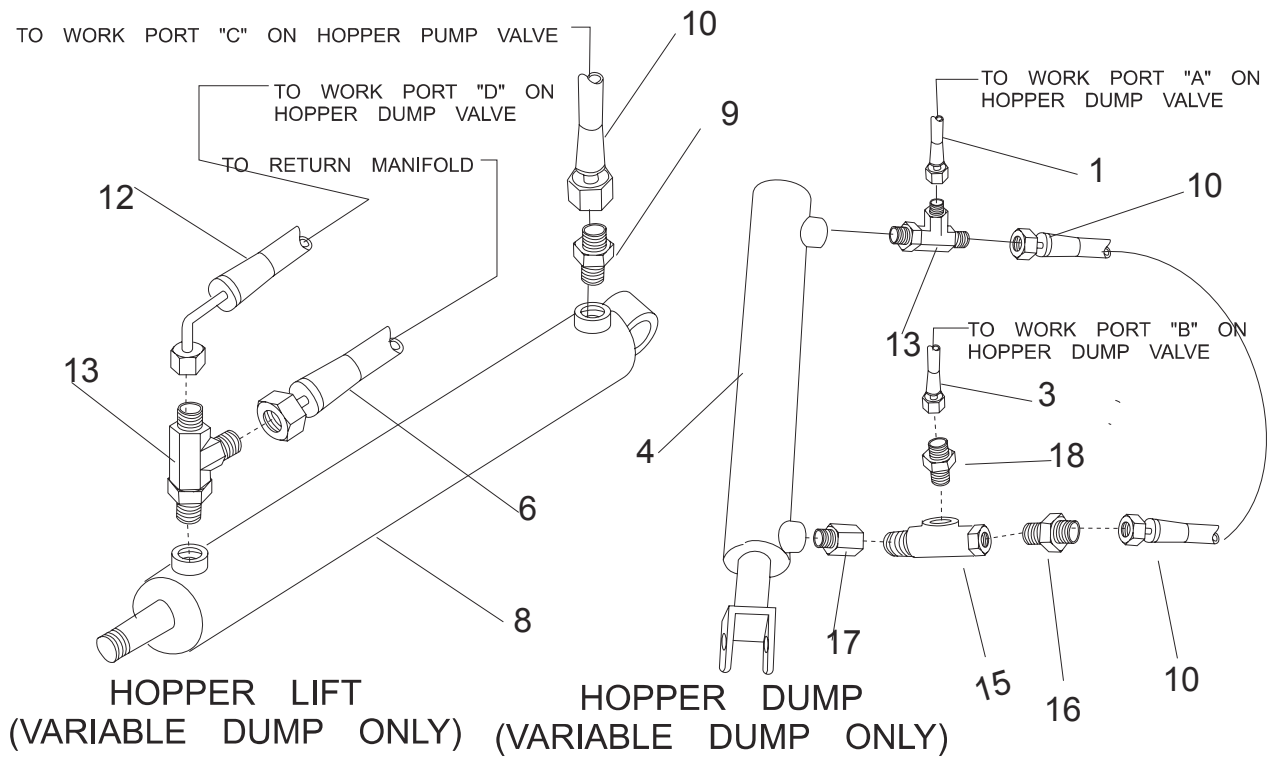
## **POWER STEERING, HOPPER DUMP, HOPPER LIFT CYLINDERS, & FITTINGS**

---

<b>KEY NO.</b>	<b>PART NUMBER</b>	<b>DESCRIPTION</b>	<b>QTY</b>
1	7-33-02194	Hose	Ref.
2	2-00-04892	ORFS 90° Elbow, 7/16-20 to 9/16-18	2
3	7-33-02195	Hose	Ref.
4	7-17-05020	Dump Cylinder	1
5	7-33-02191	Hose	Ref.
6	7-33-02193	Hose	Ref.
7	7-17-05010	Steering Cylinder	1
NS	7-70-00021	Dump and Steering Cylinders Seal Kit	2
8	7-17-05013	Lift Cylinder	1
NS	0880-506	Lift Cylinder Seal Kit	1
9	2-00-04895	ORFS Connector, 7/16-20 to 9/16-18	1
10	8-33-02178	Hose	Ref.
11			
12	7-33-02225	Hose	Ref.
13	2-00-04927	Run Tee Fitting	2
14			
15	8-88-00045	Fitting, Check Valve	1
16	2-00-04997	Fitting Adapter, 9/16-18 ORFS - 1/4-18 NPT	
17	2-00-04994	Adapter Fitting	1
18	2-00-05054	Adapter Fitting	1
19	7-33-02180	Hose	Ref.

P-4878

# POWER STEERING, HOPPER DUMP, HOPPER LIFT CYLINDERS, & FITTINGS



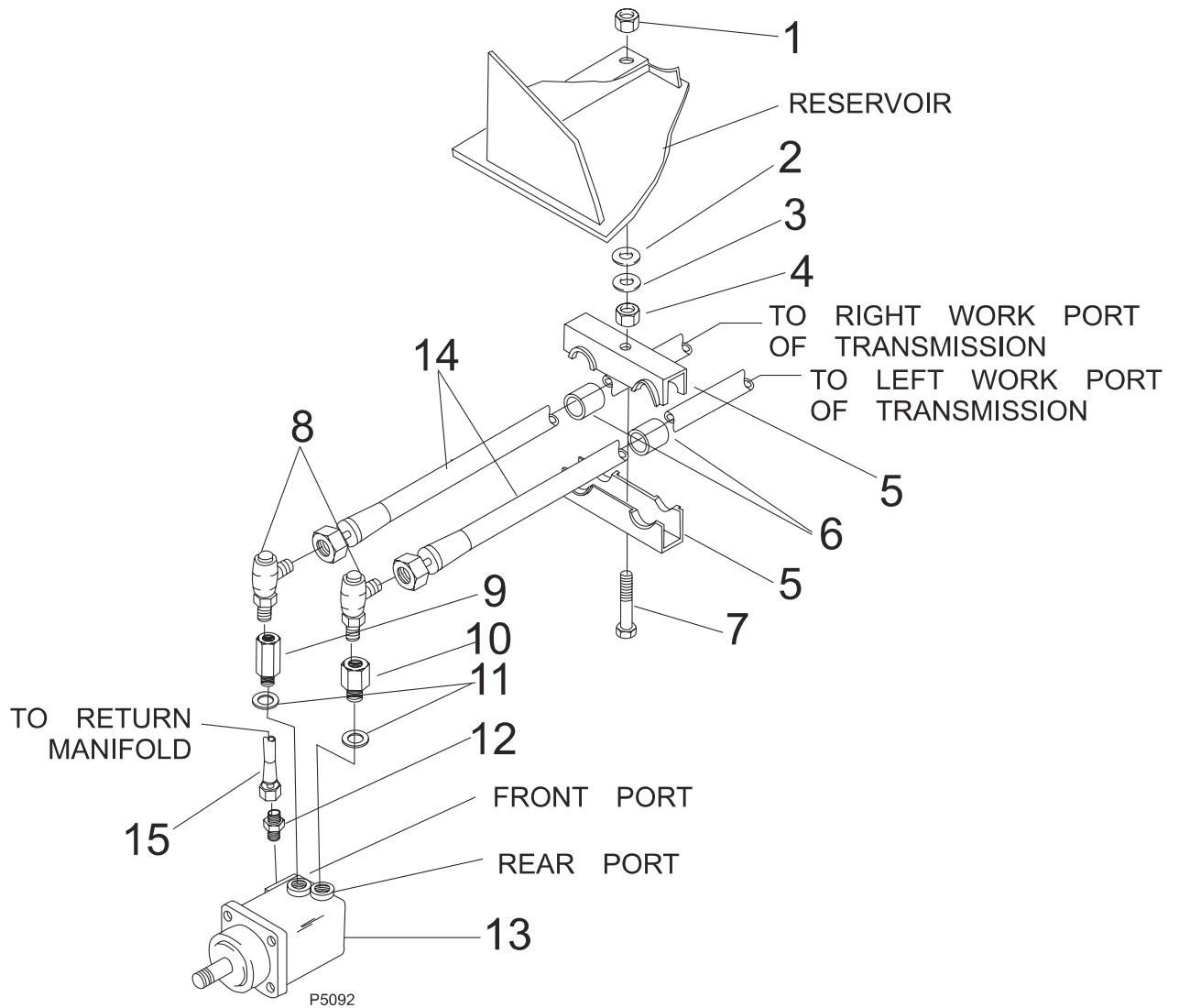
## REAR WHEEL MOTOR & FITTINGS - PARTS LIST

---

<u>KEY NO.</u>	<u>PART NUMBER</u>	<u>DESCRIPTION</u>	<u>QTY</u>
1	2-00-00644	Nut, Fiber Lock 5/16 - 18 THD's	1
2	7-23-03048	Spring Washer, .750 x .312 x .013	1
3*	2-00-00409	Flat Washer, For 5/16 Bolt (.687 x .343 x .062)	1
4	2-00-00586	Nut, Hex Jam 5/16-18 x .500 x .187	1
5	7-13-07110	Hose Clamping Unit	1
6*	7-09-01121	Split Hose Bushing	2
7	2-00-01770	Screw, 5/16-18 x 2.750 HHC	1
8	2-00-05358	Fitting	2
9	8-03-02035	Fitting	1
10	7-03-00054	Fitting	1
11	2-00-04620	Seal	2
12	2-00-04895	Fitting	1
13	0885-051-1	Rear Wheel Motor	1
	0880-238	Motor Seal	
	0880-237	Shaft Seal for Eaton P/N 110-1085-004	
	0880-586	Shaft Seal for Eaton P/N 110-1085-006	
14	7-33-02223	Hose	2
15	8-33-02184	Hose	Ref.

P-5092/9809

## REAR WHEEL MOTOR & FITTINGS - EXPLODED VIEW



## HYDRAULIC RESERVOIR, FILTER, & FITTINGS - PARTS LIST

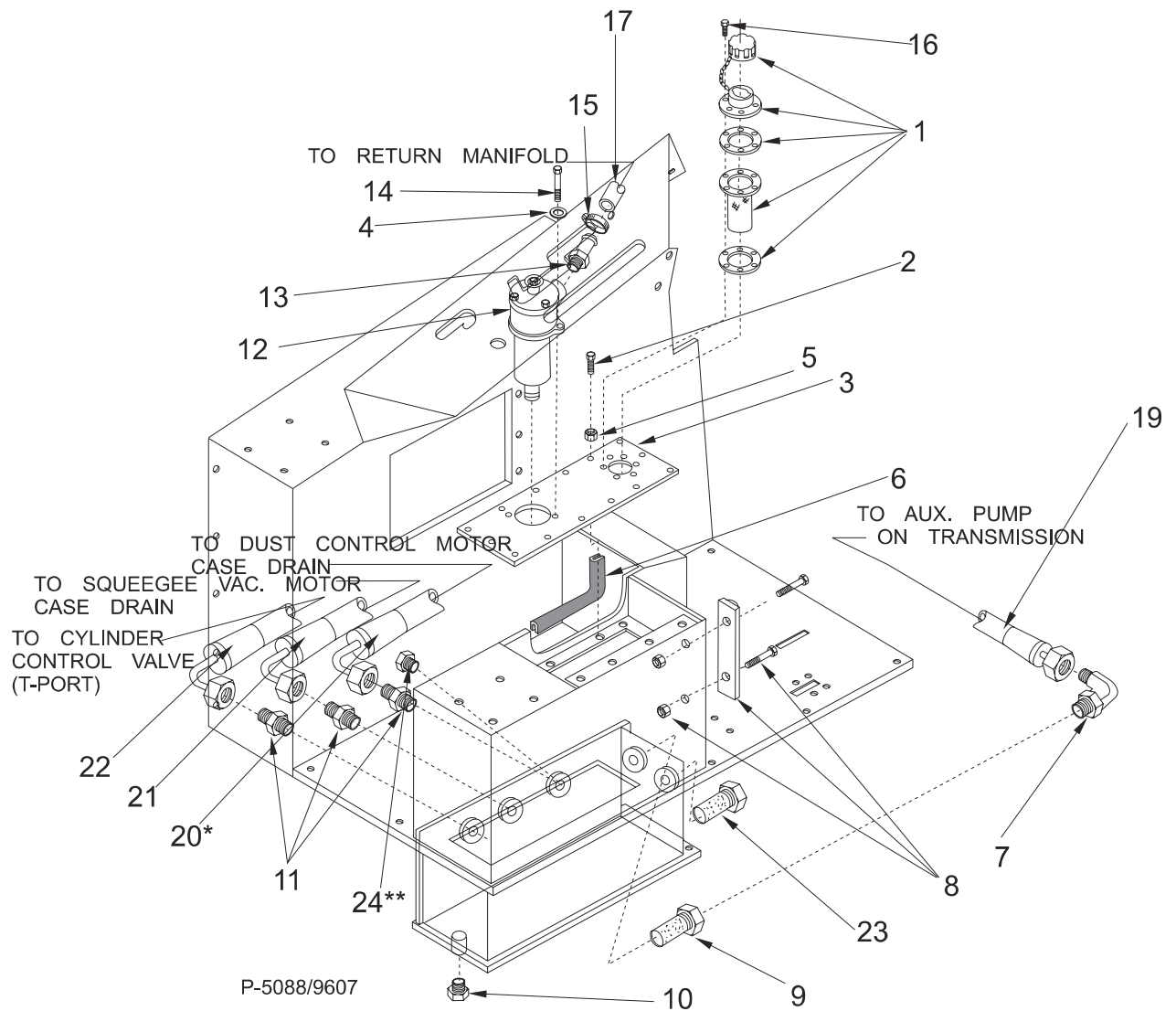
---

<u>KEY NO.</u>	<u>PART NUMBER</u>	<u>DESCRIPTION</u>	<u>QTY</u>
1	8-11-00026	Reservoir Filter Cap	1
2	2-00-00049	Screw, #10-24 x .500 RHM	14
3	7-16-07282	Hydraulic Reservoir Cover	1
4	2-00-00530	Lock Washer, Helical Spring 5/16 Med	2
5	2-00-00519	Lock Washer, #10	14
6	7-21-03003	Edging	1
7	2-00-05354	Fitting, 3/4 NPT x 1 7/16-12	2
8	8-48-05034	Fluid Level Sight Gauge	1
9	8-24-04115	Strainer	2
10	2-00-02474	Pipe Plug, 1/2 NPT	1
11	2-00-04895	ORFS Connector, 7/16-20 to 9/16-18	3
12	7-24-04031	Return Filter Assembly	1
NS	7-24-04032	Return Filter Replacement Filter	1
13	2-00-05073	Straight Barbed Stem, 1-11 1/2 to 1.375 x 2.87	1
14	2-00-02708	Screw, 5/16-18 x 1.000 HHC	2
15	2-00-02220	Hose Clamp, .812 - 1.500	1
16	2-00-03940	Screw, #10-24 x .500 TC/HH	6
17	7-33-02244	Hose	1
18			
19	7-33-02331	Hose	1
20	7-33-02333	Hose	1
21	7-33-02224	Hose	1
22	7-33-02225	Hose	1
23	2-00-00293	Plug, Pipe	1
24**	2-00-05177	Plug 7/16-20 O Ring	1

\*\* Manual Dump Only

P-5088/9510

# HYDRAULIC RESERVOIR, FILTER, & FITTINGS - EXPLODED VIEW



## DRIVE PUMP & FITTINGS

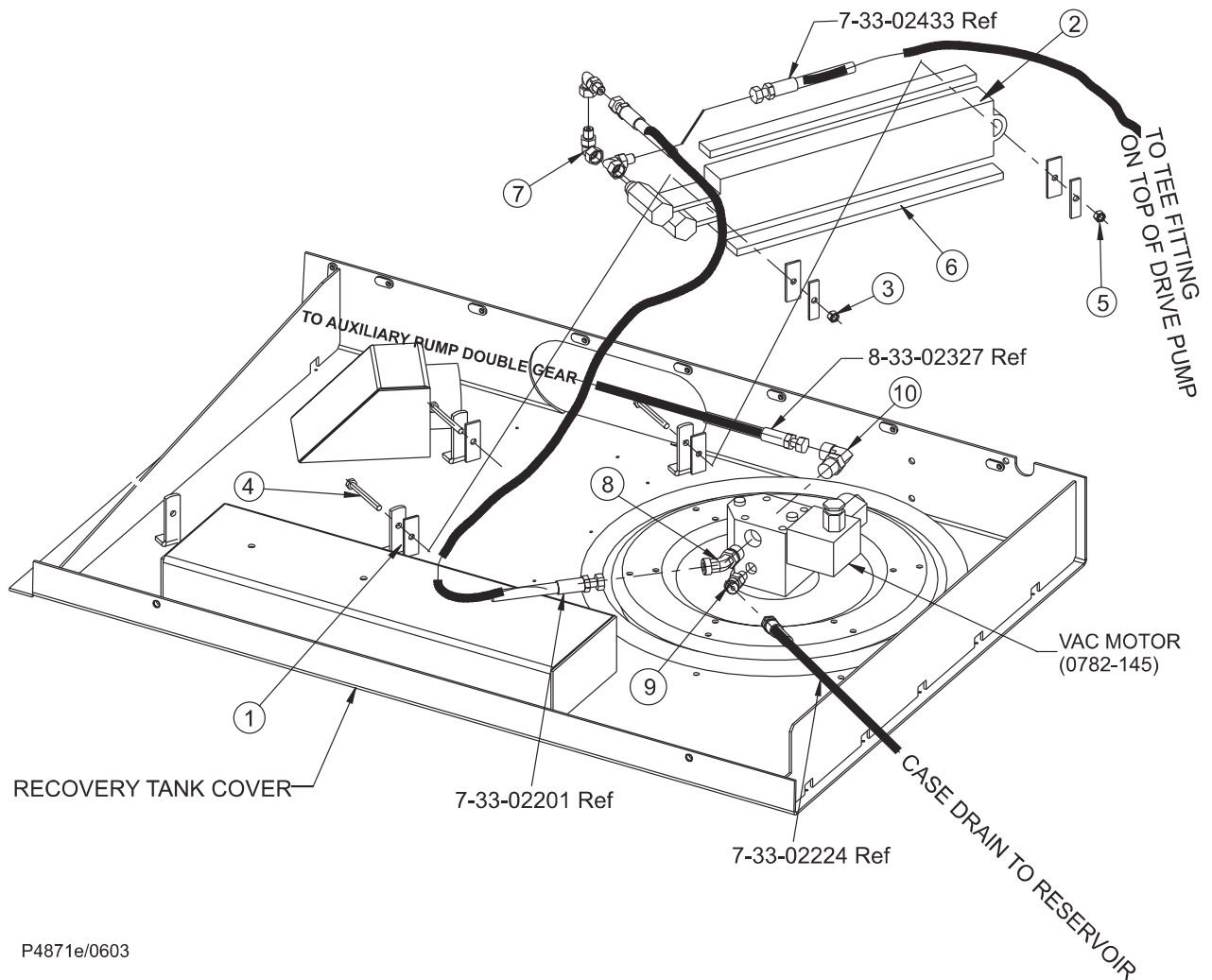
---

TO RETURN MAINFOLD

<u>KEY NO.</u>	<u>PART NUMBER</u>	<u>DESCRIPTION</u>	<u>QTY</u>
1	2-00-04979	ORFS Connector, 1 1/16-12 to 13/16-16	1
2	2-00-04926	ORFS 90° Elbow, 9/16-18	1
3	7-60-05026	Drive Pump	1
4	2-00-04922	ORFS 90° Elbow, 1 1/16-12 to 13/16-16	1
5	2-00-04978	Tee Fitting	1
6	7-60-05027	Auxiliary Pump (Double Gear)	1
7	7-33-02197	Hose	Ref.
8	7-33-02223	Hose	Ref.
9			
10	7-33-02186	Hose	Ref.
11	0880-685	Pump Assembly Kit	1
12			
13	8-33-02245	Hose	1

P-5070/9609

## VAC MOTOR & FITTINGS



P4871e/0603

<u>KEY NO.</u>	<u>PART NUMBER</u>	<u>DESCRIPTION</u>	<u>QTY</u>
1	7-29-00192	Gasket - Oil Cooler	4
2	8-62-01010	Oil Cooler	1
3	8-13-07088	Clip	2
4	2-00-01980	Screw - 1/4-200 x 1.25 HHC	2
5	2-00-00641	Nut 0 1/4-20 Fibre Lock Hex	2
6	7-29-00207	Gasket	2
7	2-00-04822	Fitting - Elbow	3
8	2-00-04975	Fitting - 45° Elbow	1
9	2-00-04976	Fitting - 45° Elbow (Case Drain Port)	1
10	2-00-04885	Fitting - Elbow	1

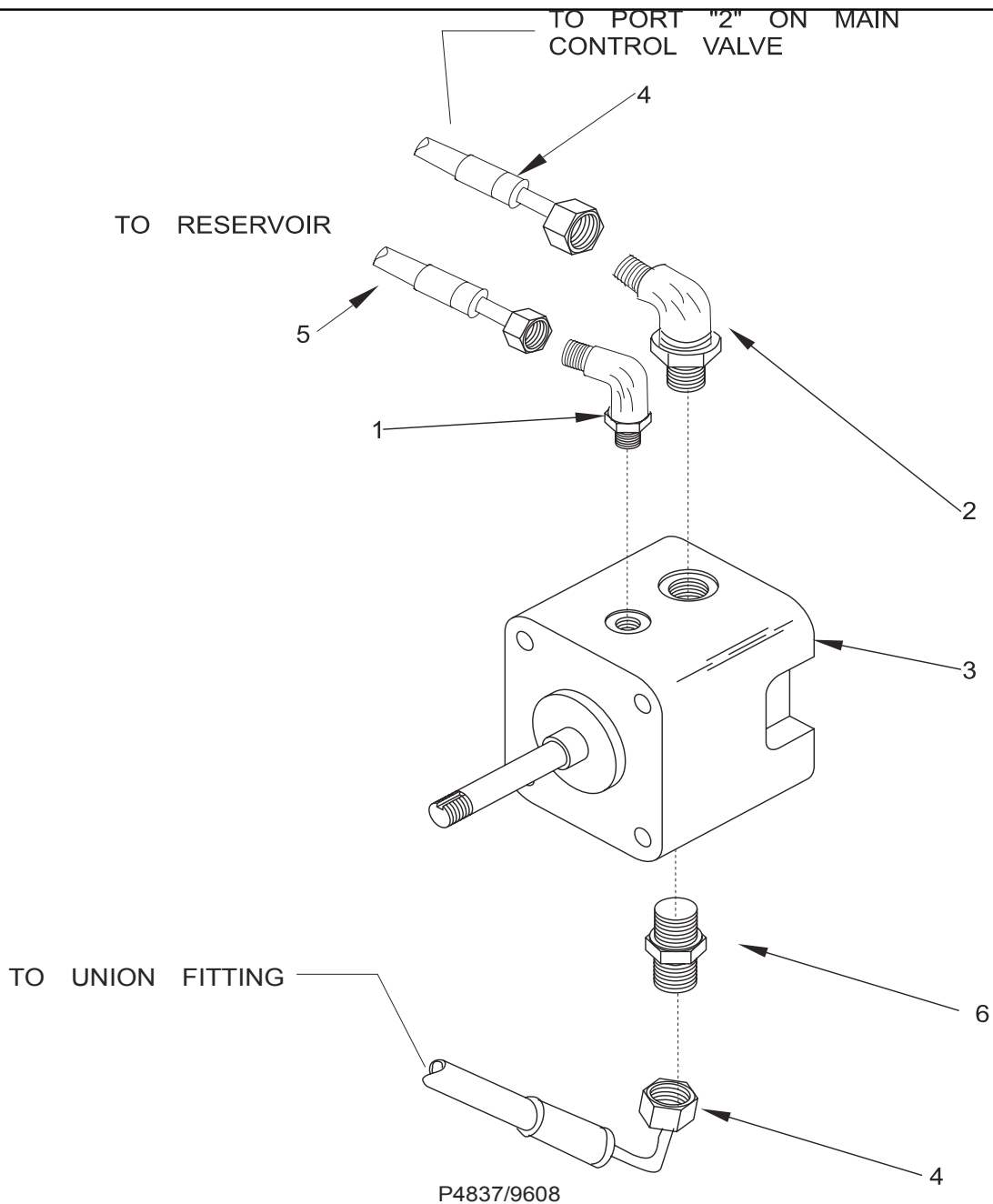
P-4871e/0603

American-Lincoln  
7760

2-79



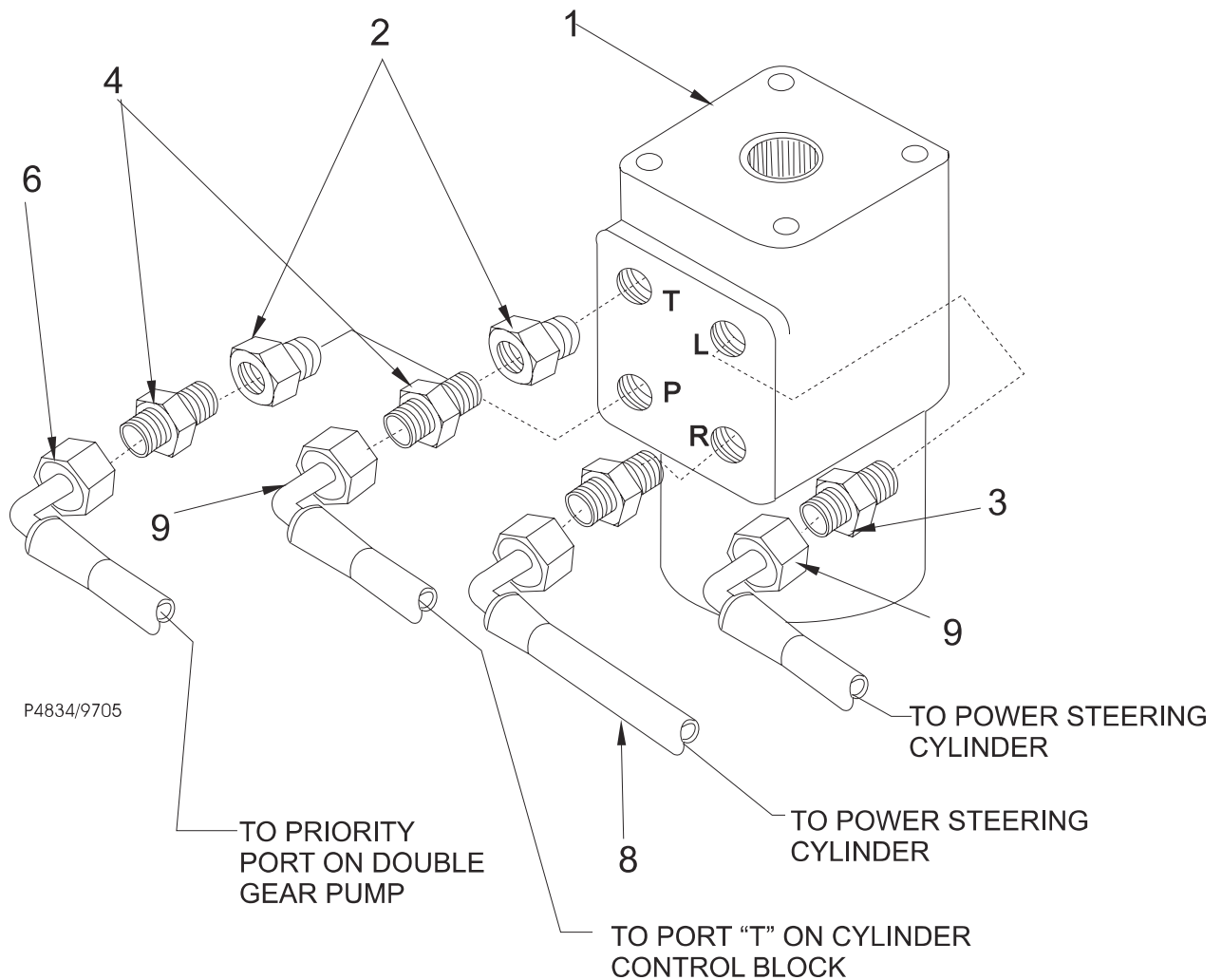
## DUST CONTROL IMPELLER & FITTINGS



KEY NO.	PART NUMBER	DESCRIPTION	QTY
1	2-00-04892	Fitting, 90° #4 SAE x #4 ORS	1
2	2-00-04885	Fitting, 90° #8 SAE x #8 ORS	1
3	0882-041	Dust Control Motor	1
4	7-33-02332	Hose	Ref.
5	7-33-02333	Hose	Ref.
6	2-00-04970	Fitting, STRT #8 SAE x #8 ORS	1

P-4837-1/9609

## POWER STEERING UNIT & FITTINGS



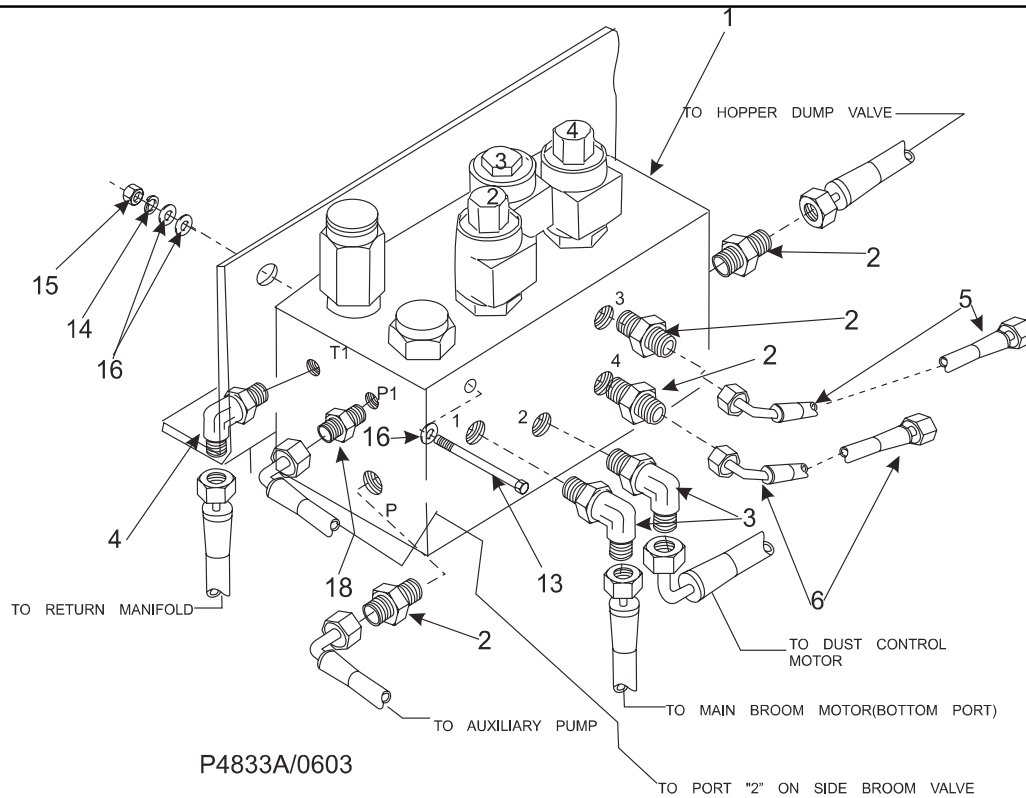
<u>KEY NO.</u>	<u>PART NUMBER</u>	<u>DESCRIPTION</u>	<u>QTY</u>
1	7-60-05029	Power Steering Unit	1
2	2-00-04932	ORFS Boss Reducer, 3/4-16 to 9/16-18	2
3	2-00-05264	Fitting, Straight	2
4	2-00-04918	ORFS Connector, 9/16-18	1
5			
6	7-33-02334	Hose	Ref.
7			
8	7-33-00225	Hose	Ref.
9	7-33-02192	Hose, 67"	Ref.

P-4834/9705

American-Lincoln  
7760

2-81

## MAIN CONTROL VALVE & FITTINGS

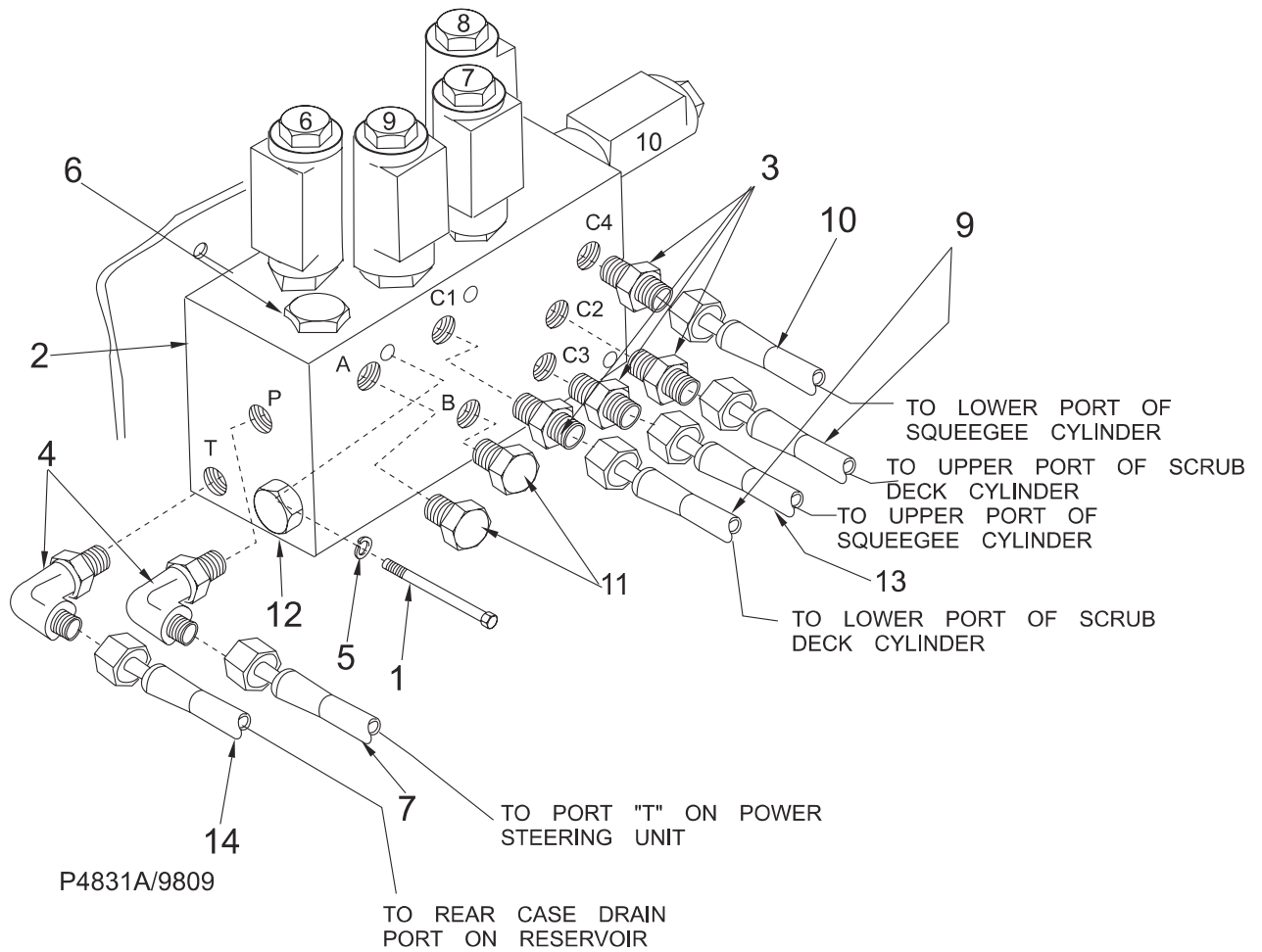


KEY NO.	PART NUMBER	DESCRIPTION	QTY
1	7-88-00071	Valve	1
2	2-00-04970	Fitting - Straight	4
3	2-00-04885	ORFS 90° Elbow, 3/4-16 to 13/16-16	2
4	2-00-04892	ORFS 90° Elbow, 7/16-20 to 9/16-18 (Gas Only)	1
5**	8-33-02326	Hose	Ref.
#	7-33-02325	Hose	Ref.
6	7-33-02205	Hose	Ref.
7			
8			
9**	2-00-04978	Fitting - 90°	1
10			
11**	2-00-04895	Fitting - Straight	1
12			
13	2-00-04986	Screw, 1/4 - 20 x 4.500 HHC	2
14	2-00-00518	Lock Washer, 1/4 Split	2
15	2-00-00594	Nut, Hex 1/4 - 20 x .437 x .218	2
16	2-00-03702	Flat Washer For 1/4 Bolt	6
17			
18	2-00-04895	Fitting - Straight	1
#	2-00-04885	ORFS 90° Elbow, 3/4-16 to 13/16-16	1

\*\* Diesel Only  
# Gas Only

P-4833A/0603

## CYLINDER CONTROL VALVE & FITTINGS



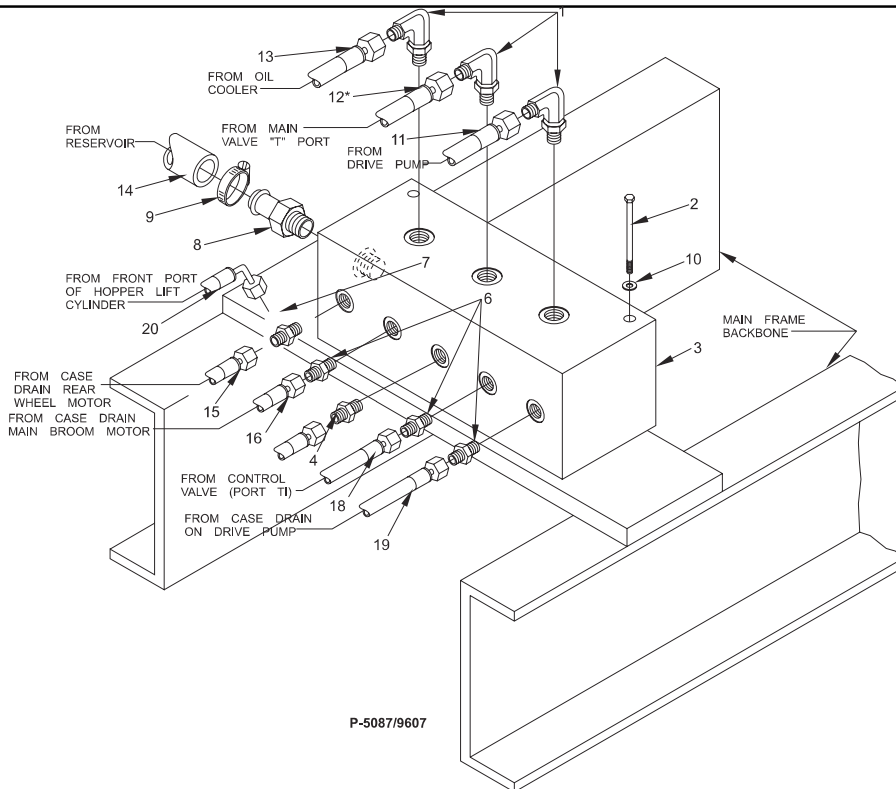
KEY NO.	PART NUMBER	DESCRIPTION	QTY
1	2-00-04596	Screw, 1/4-20 x 3.500 HHC	2
2	7-88-00069	Valve	1
3	2-00-04895	Straight Fitting	6
4	2-00-04892	ORFS 90° Elbow, 7/16-20 to 9/16-18	2
5	2-00-00518	Lock Washer, 1/4 Split	2
6	7-12-02032	Cavity Plug	1
7	8-33-02184	Hose	Ref.
			8
9	7-33-02189	Hose	Ref.
10	8-33-02218	Hose	Ref.
11	2-00-05177	Plug	2
12	7-12-02031	Cartridge 250 PSI Relief	Ref.
13	8-33-02189	Hose	Ref.
14	7-33-02225	Hose	Ref.

**P-4831a/9809**

American-Lincoln  
7760

2-83

## RETURN MANIFOLD & FITTINGS



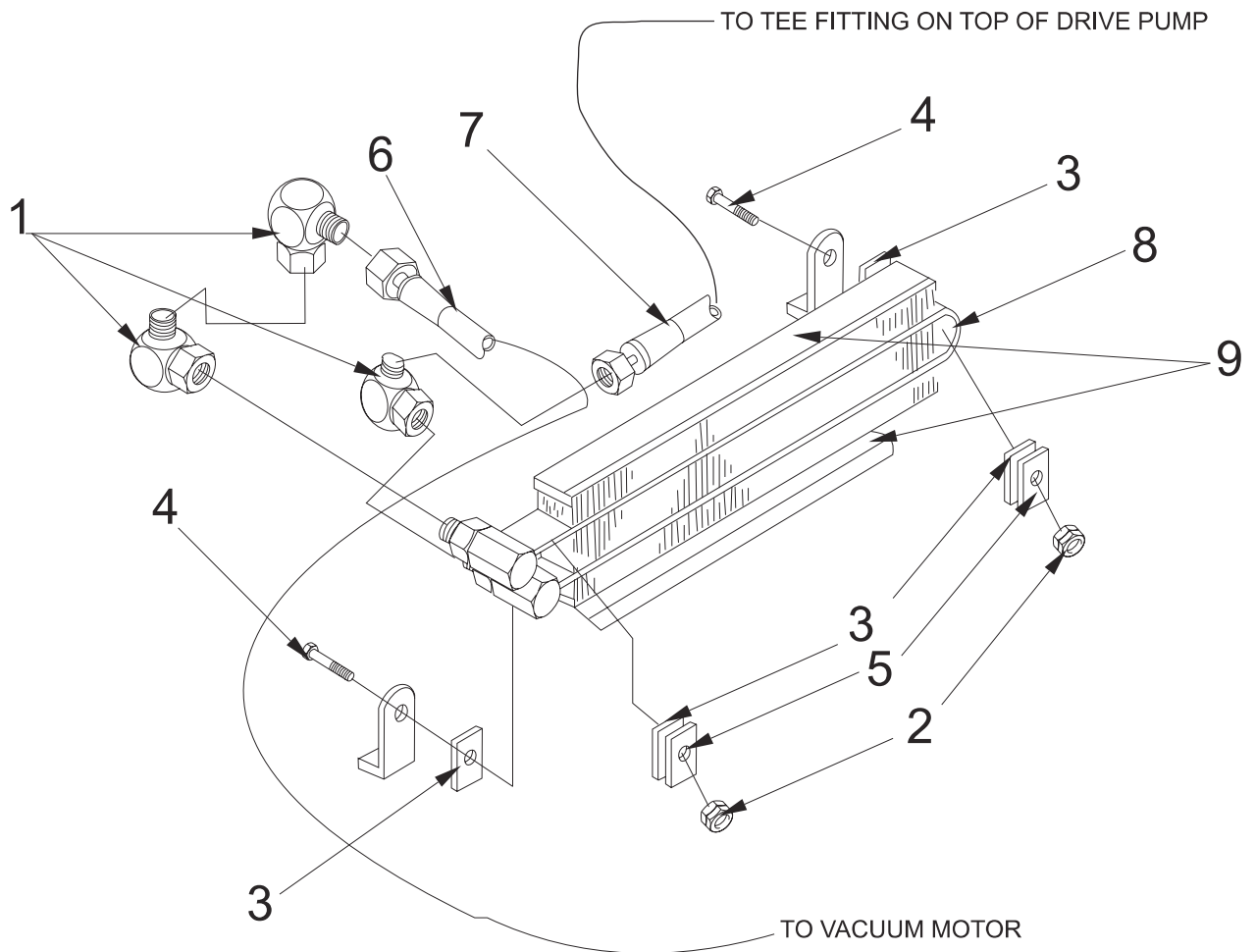
KEY NO.	PART NUMBER	DESCRIPTION	QTY
1	2-00-04885	ORFS 90° Elbow, 3/4-16 to 13/16-16	3
2	2-00-02638	Screw, 1/4-20 x 3.000 HHC	2
3	7-48-00019	Return Manifold	1
4	2-00-05177	Plug	1
5			
6	2-00-04895	ORFS Connector, 7/16-20 to 9/16-18	7
7	2-00-04927	ORFS Run Tee, 7/16-20 to 9/16-18	1
8	2-00-05073	Straight Barbed Stem, 1-11 1/2 x .50 x 2.57	1
9	2-00-02220	Hose Clamp, .812 - 1.500	1
10	2-00-00407	Flat Washer, 1/4	2
11	7-33-02197	Hose	Ref.
12*	7-33-02187	Hose	Ref.
12**	8-33-02214	Hose	Ref.
13*	8-33-02245	Hose	Ref.
13**	7-33-02202	Hose	Ref.
14	8-33-02244	Hose	Ref.
15	8-33-02184	Hose	Ref.
16	8-33-02200	Hose	Ref.
17			
18	7-33-02180	Hose	Ref.
19	7-33-02186	Hose	Ref.

\* Variable Dump Hopper Only

\*\*Manual Dump Hopper Only

P-5087/9705

## OIL COOLER & FITTINGS



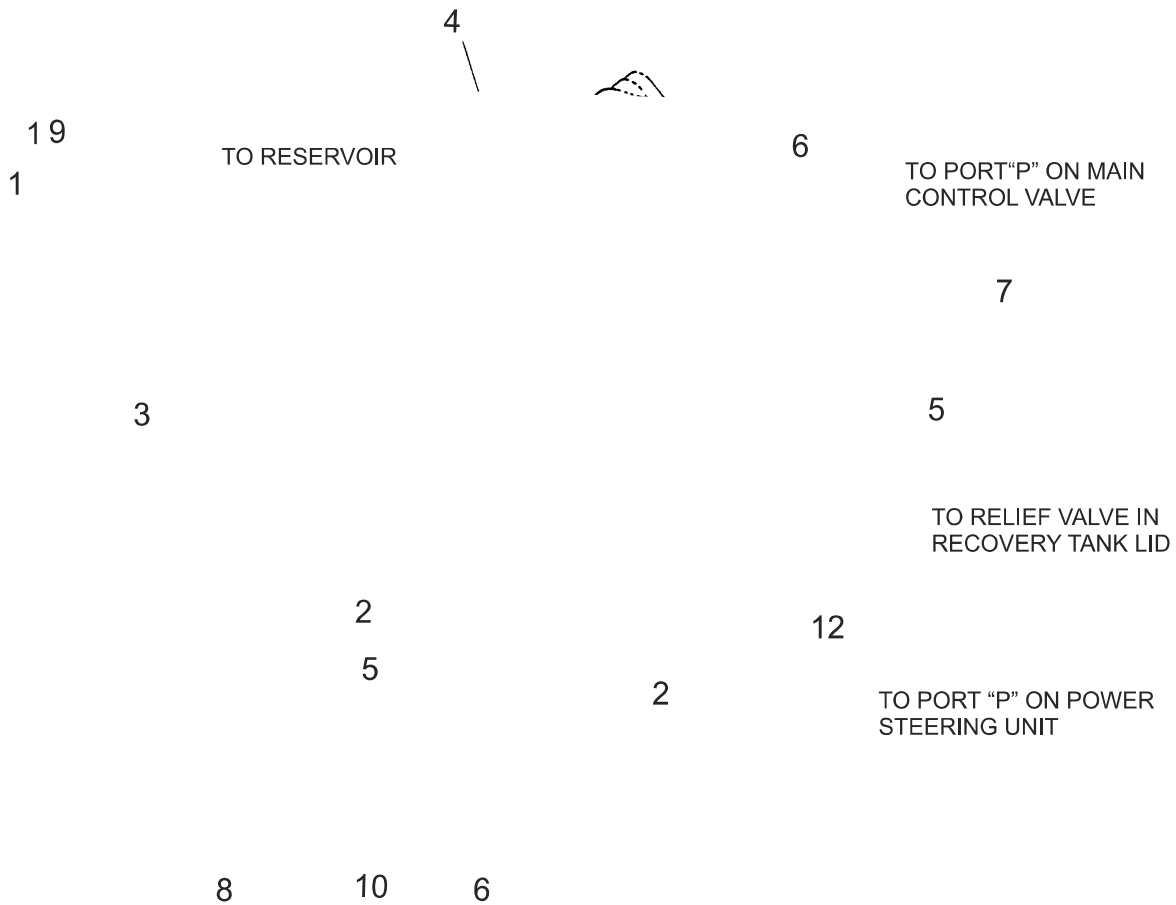
P4383b/0603

<u>KEY NO.</u>	<u>PART NUMBER</u>	<u>DESCRIPTION</u>	<u>QTY</u>
1	2-00-04822	Fitting - Elbow	3
2	2-00-00641	Nut, 1/4 - 20 - Fiber Lock Hex	2
3	7-29-00192	Gasket, Oil Cooler	4
4	2-00-01980	Screw, 1/4 - 20 x 1.250 HHC	2
5	8-13-07088	Clip	2
6	7-33-02201	Hose	Ref.
7	7-33-02433	Hose	Ref.
8	8-62-01010	Oil Cooler	1
9	7-29-00207	Gasket	2

P4383b/0603

## AUXILIARY PUMP & FITTINGS (FORD)

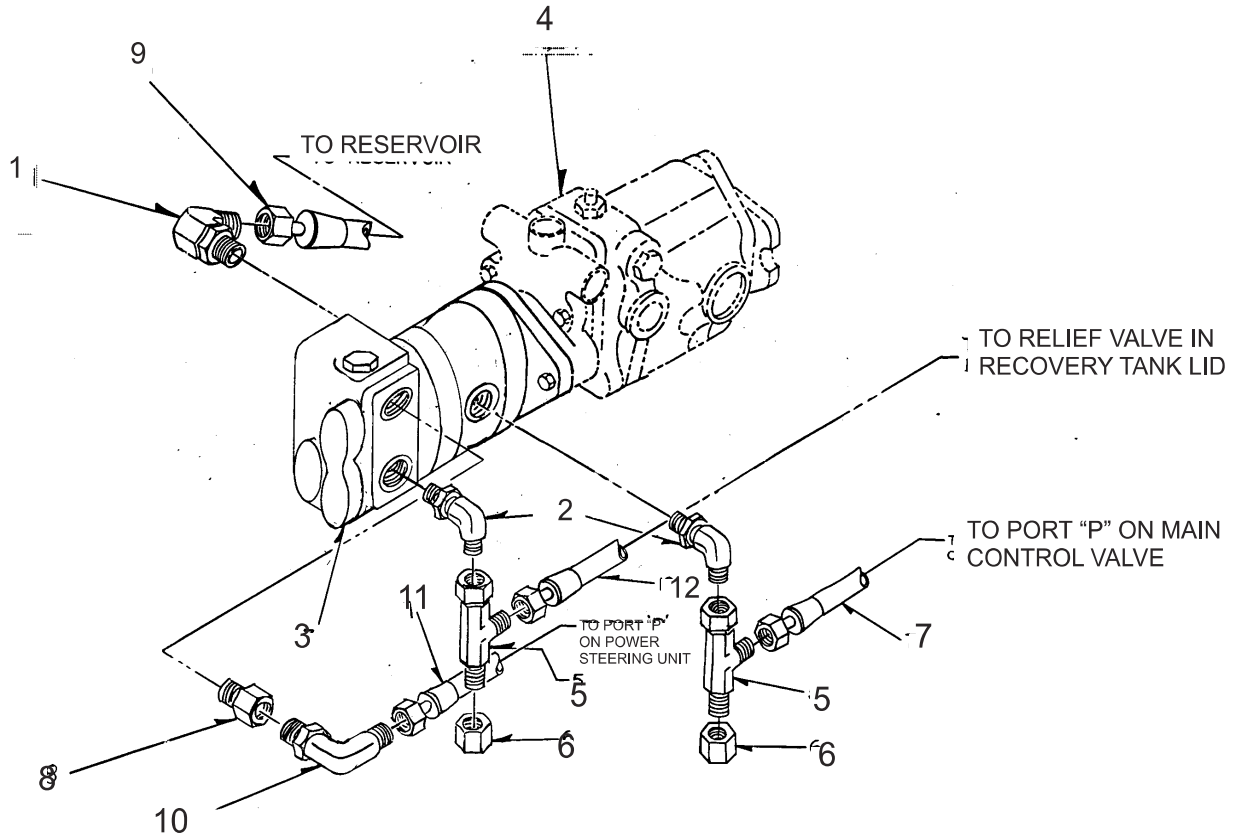
---



<u>KEY NO.</u>	<u>PART NUMBER</u>	<u>DESCRIPTION</u>	<u>QTY</u>
1	2-00-05353	Fitting, 90° Elbow	1
2	2-00-04921	Fitting, 90° Elbow	2
3	7-60-05027	Auxiliary Pump	1
4	7-60-05026	Drive Pump	Ref.
5	2-00-04928	ORFS Run Tee, 13/16 - 16	1
6	2-00-04957	ORFS Cap, #8 ORS	1
7	8-33-02202	Hose	Ref.
8	2-00-04932	Fitting, Reducer	1
9	7-33-02331	Hose, 16ORS 46"	Ref.
10	2-00-04926	Fitting, 90° Elbow	1
11	7-33-02334	Hose, 52.25"	Ref.
12	8-33-02327	Hose, 94"	Ref.

P5163\9609

## AUXILIARY PUMP & FITTINGS (DIESEL)



KEY NO.	PART NUMBER	DESCRIPTION	QTY
1	2-00-05353	Fitting, 90° Elbow	1
2	2-00-04921	Fitting, 90° Elbow	2
3	7-60-05027	Auxiliary Pump	1
4	7-60-05026	Drive Pump	Ref.
5	2-00-04928	ORFS Run Tee, 13/16 - 16	1
6	2-00-04957	ORFS Cap, #8 ORS	1
7	8-33-02202	Hose	Ref.
8	2-00-04932	Fitting, Reducer	1
9	7-33-02331	Hose, 16ORS 46"	Ref.
10	2-00-04926	Fitting, 90° Elbow	1
11	7-33-02334	Hose, 52.25"	Ref.
12	8-33-02327	Hose, 94"	Ref.

P5164/9609

American-Lincoln  
7760

2-87



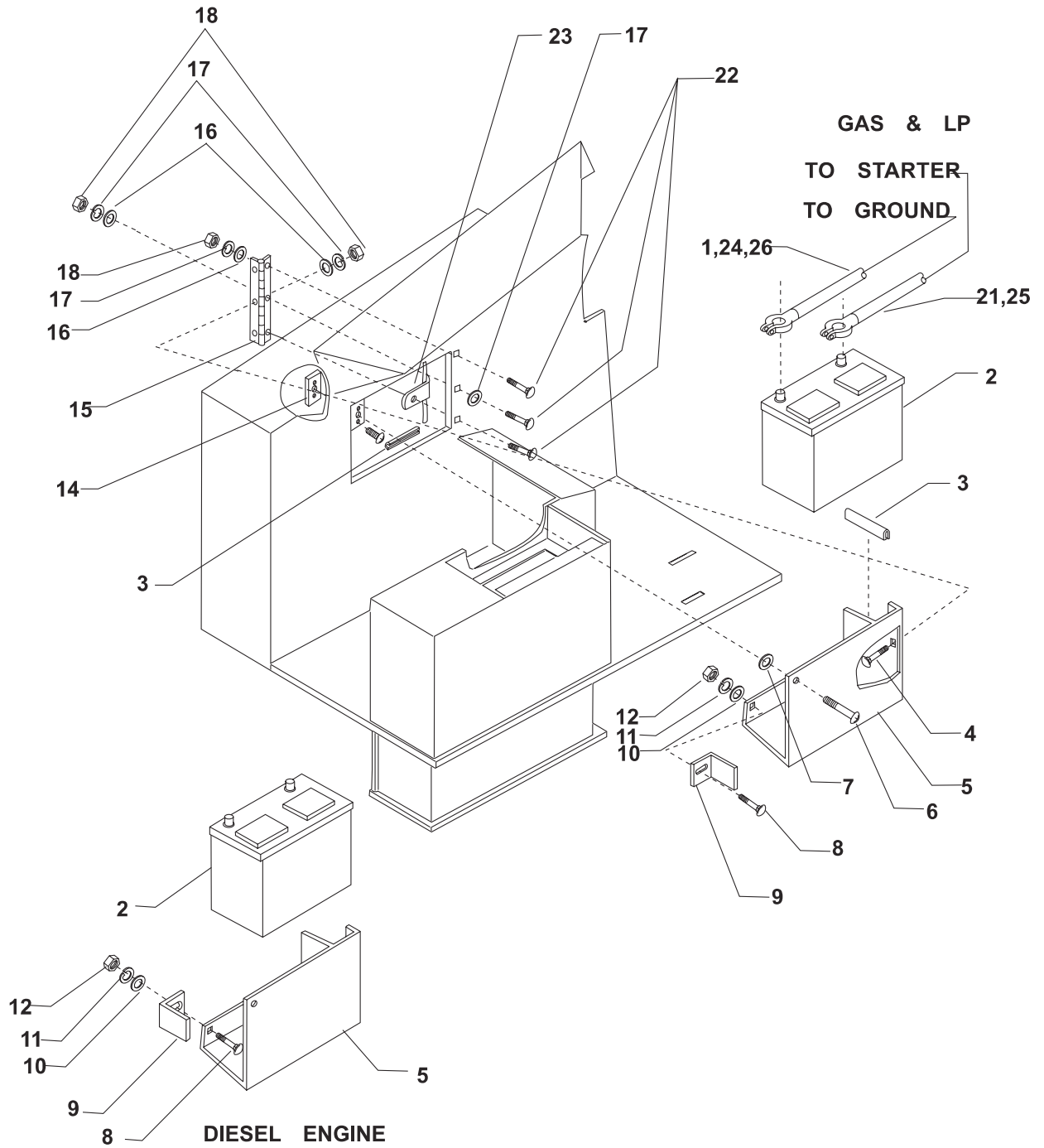
## BATTERY - PARTS LIST

---

<u>KEY NO.</u>	<u>PART NUMBER</u>	<u>DESCRIPTION</u>	<u>QTY</u>
1	8-90-07167	Wire, to Starter	1
2	0875-008	Battery (Gas & LP)	1
2	0875-057	Battery (Diesel)	1
3	8-21-04016	Edging	2
4	2-00-03569	Carriage Bolt, 5/16 - 18 x .750	3
5	7-19-08059	Battery Access Door	1
6	7-23-03113	Screw, #17 (.312) x 1.000 CAPT.SL.	1
7	7-23-03106	Retainer Washer, .265 x .625 x .025	2
8	2-00-03575	Carriage Bolt, 1/4 - 20 x .750	1
9	7-13-07109	Battery Clamp	1
10	2-00-03702	Flat Washer, .625 x .281 x .062	1
11	2-00-00518	Lock Washer, Helical Spring 1/4 Med.	1
12	2-00-00594	Nut, Hex 1/4 - 20 x .437 x .218	1
13			
14	7-23-03108	Receptacle Bracket	1
15	7-23-00023	Hinge	1
16	2-00-00409	Flat Washer, .687 x .343 x .062	6
17	2-00-00530	Lock Washer, Helical Spring 5/16 Med.	6
18	2-00-00585	Nut, Hex 5/16 - 18 x .500 x .265	6
19			
20			
21	7-90-07262	Wire, to Ground (Ford 423)	1
22	2-00-00196	Screw, 5/16 - 18 x 1.000 Carriage	3
23	2-00-05253	Cable Clamp, .500	1
24	2-00-05171	Boot, Protective (Red)	1
25	2-00-05173	Boot, Protective (Black)	1
26	7-90-07280	Battery (+) Cable (Diesel Only)	1

P-5086a/9611

# BATTERY - EXPLODED VIEW



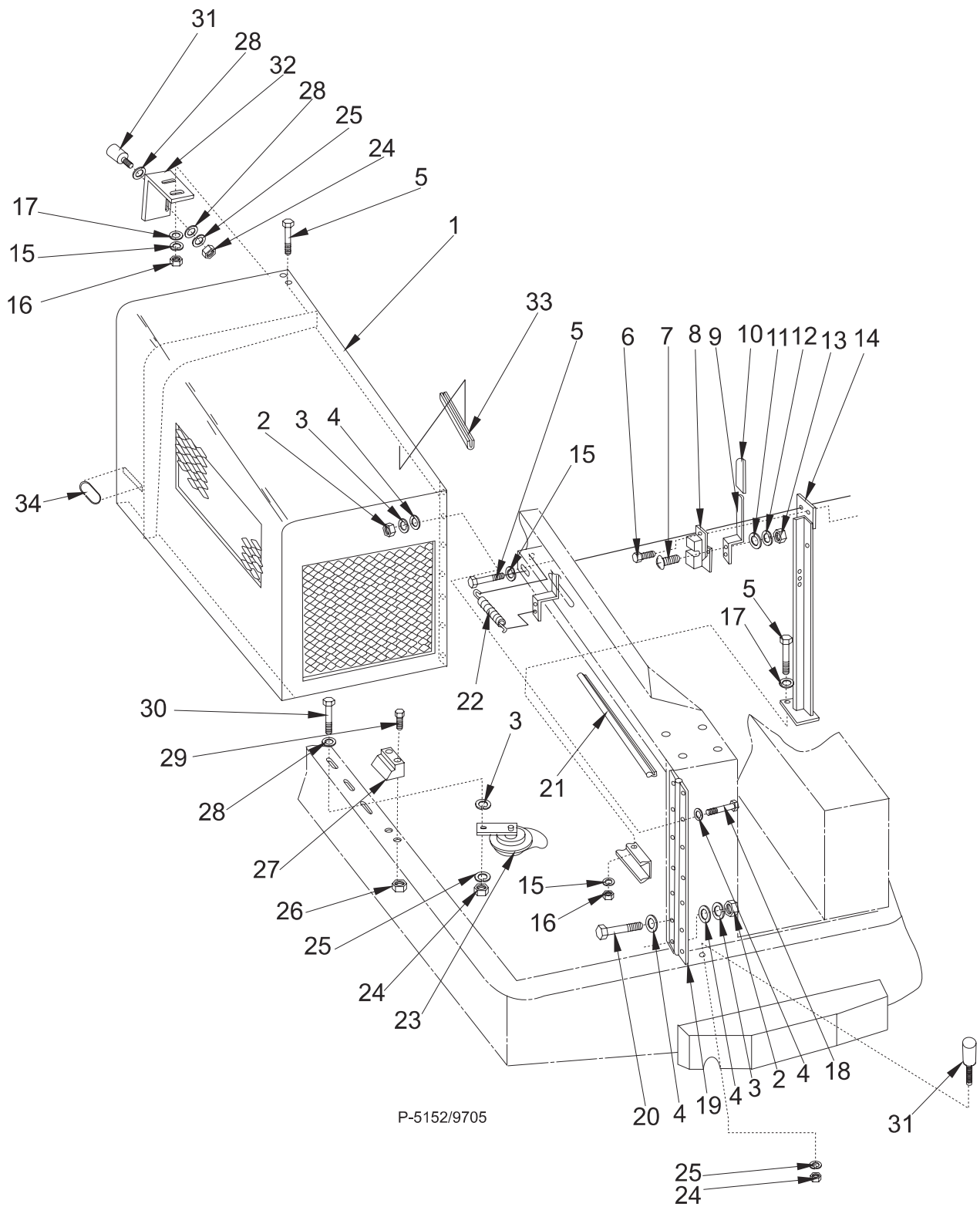
P-5086a/9611

## ENGINE COVER - PARTS LIST

<u>KEY NO.</u>	<u>PART NUMBER</u>	<u>DESCRIPTION</u>	<u>QTY</u>
1	7-16-07279	Engine Cover	1
2	2-95-04182	Nut, Hex 3/8-16 x .562 x .328 Fiber	14
3	2-00-02303	Lock Washer, 5/16	1
4	2-00-00410	Flat Washer, .875 x .375 x .062	28
5	2-00-01490	Screw, 1/4 - 20 x .875 HHC	4
6	2-00-00221	Screw, 1/4 - 20 x .750 HHC	2
7	2-00-04794	Screw, #10-24 x .625 HHC	2
8	8-41-00037	Engine Cover Latch	1
9	7-31-06062	Handle Cover Latch	1
10	7-31-06061	Cover Latch Grip	1
11	2-00-00426	Flat Washer, .500 x .218 x .062	2
12	2-00-00519	Lock Washer, Helical Spring #10 Med	2
13	2-00-00605	Nut, Hex MS #10 - 24 x .375 x .125	2
14	7-81-00138	Center Support	1
15	2-00-00518	Lock Washer, Helical Spring 1/4 Med	6
16	2-00-00594	Nut, 1/4-20 x .437 x .218	4
17	2-00-03702	Flat Washer, .625 x .281 x .062	3
18	2-00-00233	Screw, 3/8-16 x 1.000 HHC	6
19	7-32-00022	Hinge	1
20	2-00-00209	Screw, 3/8-16 x 1.250 HHC	6
21	7-29-00157	Gasket	1
22	7-76-00106	Spring	1
23	8-32-09013	Horn,	1
24	2-00-00585	Nut, Hex 5/16-18 x .500 x .265	3
25	2-00-00530	Lock Washer, Helical Spring 5/16 Med	3
26	2-00-00641	Nut, Hex Fiber Insert 1/4 - 20	2
27	7-78-05016	Engine Cover Stop	1
28	2-00-00409	Flat Washer, .687 x .343 x .062	3
29	2-00-01769	Screw, 1/4-20 x 1.75 HHC	2
30	2-00-01255	Screw, 5/16-18 x .88 HHC	1
31	7-55-08116	Striker Pin	2
32	7-08-00532	Engine Cover Bracket	1
33	8-08-07045	Edging	1
34	8-21-04038	Edging	1

P-5152

# ENGINE COVER - EXPLODED VIEW



P-5152/9705

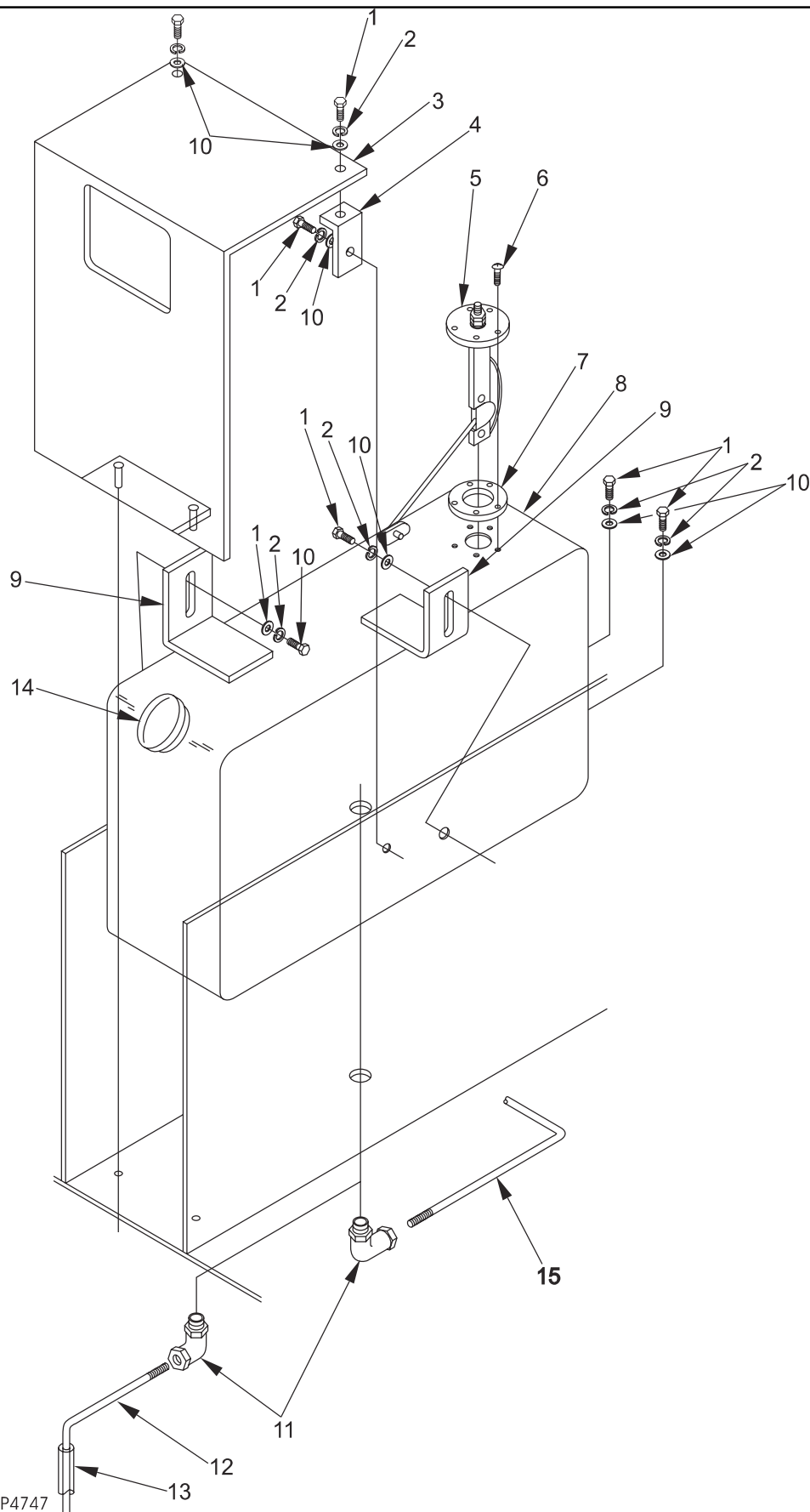
## FUEL TANK - PARTS LIST

---

<u>KEY NO.</u>	<u>PART NUMBER</u>	<u>DESCRIPTION</u>	<u>QTY</u>
1	2-00-00221	Screw, 1/4-20 x .750 HHC	8
2	2-00-00518	Lock Washer, Helical Spring 1/4 Med	8
3	7-16-07280	Cover	1
4	7-08-00479	Bracket	2
5	8-26-04003	Float	1
6	2-00-04737	Screw, #10-32 x .44 (Self Seal)	5
7	8-29-00131	Gasket	1
8	8-83-04029	Fuel Tank	1
9	7-13-07100	Bracket	2
10	2-00-03702	Flat Washer, 1.062 x .265 x .062	8
11	2-00-04494	Compression Male 90° Elbow, 1/8	1
12	7-87-02148	Fuel Line (Gas Only)	1
13	8-08-07038	Fuel Line Bumper (Gas Only)	3
14	7-11-00029	Fuel Cap	1
15	7-87-02160	Fuel Line (Diesel Only)	1

P-4747/9606

# FUEL TANK - EXPLODED VIEW



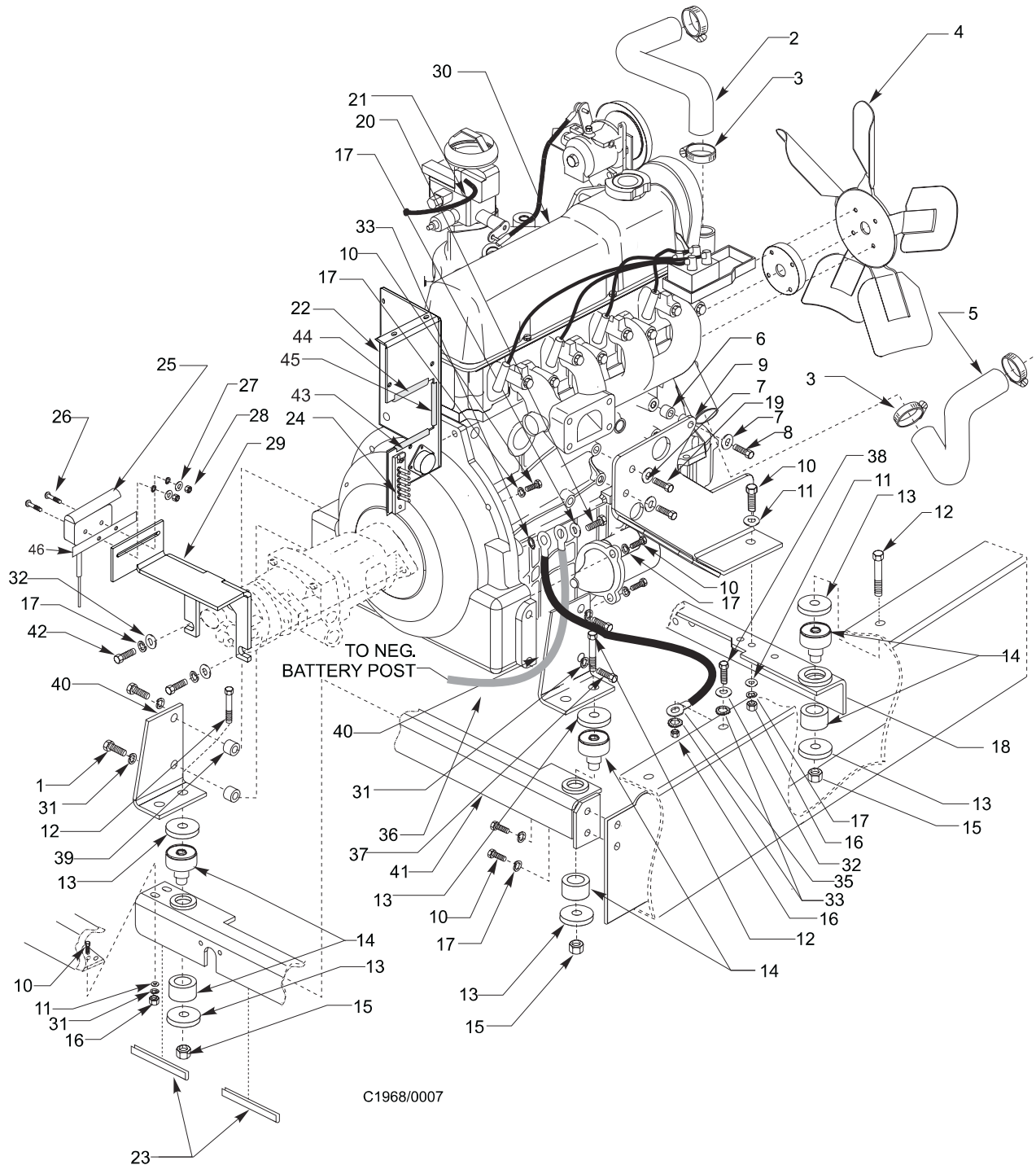
P4747

## FORD 425 ENGINE - PARTS LIST

<u>KEY NO.</u>	<u>PART NUMBER</u>	<u>DESCRIPTION</u>	<u>QTY</u>
1	2-00-02692	Screw, 1/2 - 20 x 2.00 Lg. HHC	1
2	8-33-02337	Hose, Upper Radiator	1
3	2-00-03404	Clamp, Hose (1.06 - 2.00)	4
4	7-23-00018	Fan, Engine	1
5	8-33-02336	Hose, Lower Radiator	1
6	8-75-01210	Spacer, Engine Mount	1
7	2-00-02311	Lockwasher, 7/16 H.S. Med.	2
8	2-00-05328	Screw, M10 x 1.5 50 mm HHC	1
9	7-08-00829	Motor Mount - Bracket	1
10	2-00-00209	Screw, 3/8-16 x 1.25 Lg. HHC	7
11	2-00-03979	Flatwasher, 1.00 x .39 x .06	3
12	2-00-02617	Screw, 1/2-20 x 3.50 lg. HHC	3
13	2-00-05067	Spacer, Snubbing Washer	6
14	7-35-00017	Isolator, Engine Mount	3
15	2-00-04936	Nut, 1/2-20 Fiber Lock	3
16	2-00-02360	Nut, 3/8-16 Hex. X .56 x .33	3
17	2-00-02310	Lockwasher, 3/8 H.S. Med.	9
18	7-81-00132	Support, Front Engine	1
19	2-00-05005	Screw, M10 x 1.5 - 30mm HHC	2
20	2-00-02599	Screw, 3/8-16 x 2.25 Lg. HHC	1
21	7-16-00016	Choke Cable	1
22	7-08-00895	Bracket - Air Cleaner	1
23	7-21-04031	Edging	1
24	8-06-05006	Strip, Terminal	1
25	8-82-00058	Switch	1
26	2-00-00090	Screw, #8-32 x 1.50 RHM	2
27	2-00-00441	Flatwasher, .440 x .201 x .040	2
28	2-00-01372	Nut, Hex. #8-32 Fiber Lock	2
29	7-08-00825	Bracket - Switch Mounting	1
30	0877-065	Engine - Ford Lrg 425 w/o housing	1
31	2-00-02312	Lockwasher, 1/2 H. S. Med.	5
32	2-00-00402	Flatwasher, .750 x .390 x .09	3
33	2-00-03829	Lockwasher, 3/8 int./ext. Tooth	3
34	2-00-00216	Screw, 3/8-16 x 2.00 HHC	1
35	8-90-07328	Cable, Ground	1
36	7-90-07262	Cable, Battery	1
37	2-00-02689	Screw, 1/2-13 x 1.000 HHC	2
38	2-00-00232	Screw, 3/8-16 x .75 Lg. HC	1
39	7-75-01187	Spacer, Engine Mounting (1.00" Lg.)	2
40	7-08-00919	Bracket - Outboard Engine Mounting	2
41	7-81-00140	Support, Rear Engine	1
42	2-00-00234	Screw, 3/8-16 x 1.50 Lg. HHC	2
43	7-21-04028	Edging	1
44	7-21-04043	Edging	1
45	8-21-04019	Edging	1
46	7-79-00102	Strap - Neutral Switch Retaining	1

C1968/0108

# FORD 425 ENGINE - EXPLODED VIEW



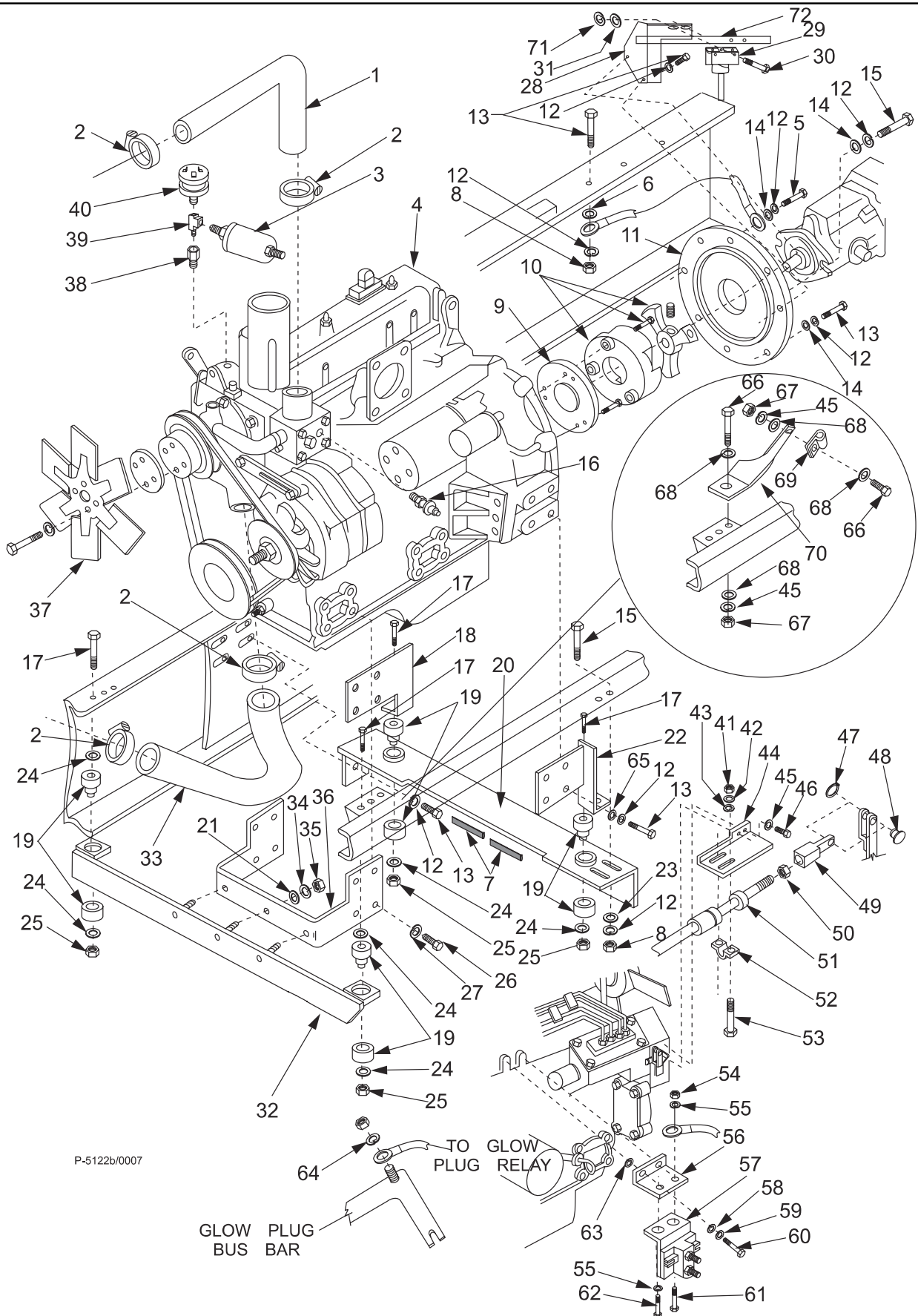


## PERKINS 104.19 ENGINE - PARTS LIST

<u>KEY NO.</u>	<u>PART NO.</u>	<u>DESCRIPTION</u>	<u>QTY</u>	<u>KEY NO.</u>	<u>PART NO.</u>	<u>DESCRIPTION</u>	<u>QTY</u>
1	8-33-02255	Upper Radiator Hose	1	37	7-23-00016	Engine Fan	1
2	2-00-03404	Hose Clamp	4	38	2-00-05049	Adapter, 1/8BSPTx1/8 NPTF	1
3	8-69-00005	Oil Pressure Sender	1	39	2-00-04982	Street Tee, 1/8 Brass	1
4	0877-048-1	PERKINS 104.19 Engine	1	40	8-82-00046	Oil Pressure Switch	1
5	2-00-04705	Screw, HHC .375 GR 8 ZN	1	41	2-00-01246	Nut, Hex Fiber Insert #10-24	2
6	8-90-07328	Ground Cable	1	42	2-00-00426	Flat Washer, .50x .218x.062	2
7	2-00-03829	Lock Washer, 3/8 Int/Ext	1	43	2-00-02296	Lock Washer, #10 Ext	2
8	2-00-02360	Nut, Hex 3/8-16x.562x.328	3	44	8-08-00714	Throttle Cable Bracket	1
9	8-58-05259	Adapter Plate	1	45	2-00-00518	Lock Washer, HS1/4 Med.	2
10	0885-059	Coupling	1	46	2-00-05078	Screw, M6-1.0x10mmMHHC	2
11	8-33-05107	Pump Mounting Plate	1	47	2-00-00546	Snap Ring, .31 (Shaft)	1
12	2-00-02310	Lock Washer, HS 3/8 Med	19	48	8-55-08083	Clevis Pin	1
13	2-00-00233	Screw, 3/8-16x1.000 HHC	19	49	8-14-01012	Throttle Adjustment Clevis	1
14	2-00-00402	Flat Washer, .750x.390x.093	10	50	2-00-00626	Nut, Hex MS #10-32 .125	1
15	2-00-00209	Screw, 3/8-16x1.25, GR 5	4	51	7-10-00024	Throttle Cable - 80"	1
16	8-69-00014	Water Temp Sender	1	52	8-13-07094	Conduit Clamp	1
17	2-00-02617	Screw, 1/2-20x3.5 HHC	4	53	2-00-04794	Screw, #10-24 x .625 BHS	2
18	7-08-00580	Outboard Eng Mtg. Flwhl End	1	54	2-00-00605	Nut, Hex MS #10-24	1
19	7-35-00017	Mounting Isolator	4	55	2-00-00519	Lock Washer, HS #10 Med	1
20	7-81-00140	Rear Engine Support	1	56	8-08-00604	Glow Plug Solenoid Bracket	1
21	2-00-04159	Flat Washer, .50	3	57	-	Supplied with Engine	1
22	7-08-00581	Inboard Eng. Mtg Flwhl End	1	58	2-00-00409	Flat Washer, .687x.343x.062	2
23	2-00-03979	Flat Washer	2	59	2-00-00530	Lock Washer	2
24	2-00-05067	Snubbing Washer	6	60	2-00-04363	Screw M8-1.25x20mm MHHC2	
25	2-00-04936	Nut, Hex Fiber Insert	4	61	2-00-03063	Screw, #10-24 x .750 THM	1
26	2-00-05079	Screw, M14-1.5x.25mm	8	62	2-00-03060	Screw, #10-24 x .375 THM	1
27	2-00-05044	Lock Washer, M14	8	63	2-00-02303	Lock Washer, 5/16 Int	2
28	7-08-00820	Bracket, Sq Switch Mtg.	1	64	2-00-00507	Lock Washer, #8 Int.	1
29	8-82-00058	Switch	1	65	2-00-00410	Flat Washer, .875x.375x.062	8
30	2-00-00090	Screw, #8-32 x 1.500 RHM	2	66	2-00-00221	Screw, 1/4-20 x .750 HHC	2
31	2-00-00441	Flat Washer, .44 x .20 x .04	2	67	2-00-00594	Nut, Hex 1/4-20 x .437 x .218	2
32	7-08-00586	Engine Mount (Fan End)	1	68	2-00-03702	Flat Washer, .625x.280x.063	4
33	7-33-02300	Lower Radiator Hose	1	69	2-00-04873	Cable Clamp, .500	1
34	2-00-02312	Lock Washer, HS 1/2 Med.	3	70	7-08-00620	FWD/RVS Cable Bracket	1
35	2-00-00596	Nut, Hex 1/2-13 x .750 x .437	3	71	2-00-01372	Nut, #8-32 Hex Fiber Lock	2
36	7-08-00579	Engine Mounting Bracket	1	72	7-21-04031	Edging	2

P5122btx/0108

# PERKINS 104.19 ENGINE - EXPLODED VIEW



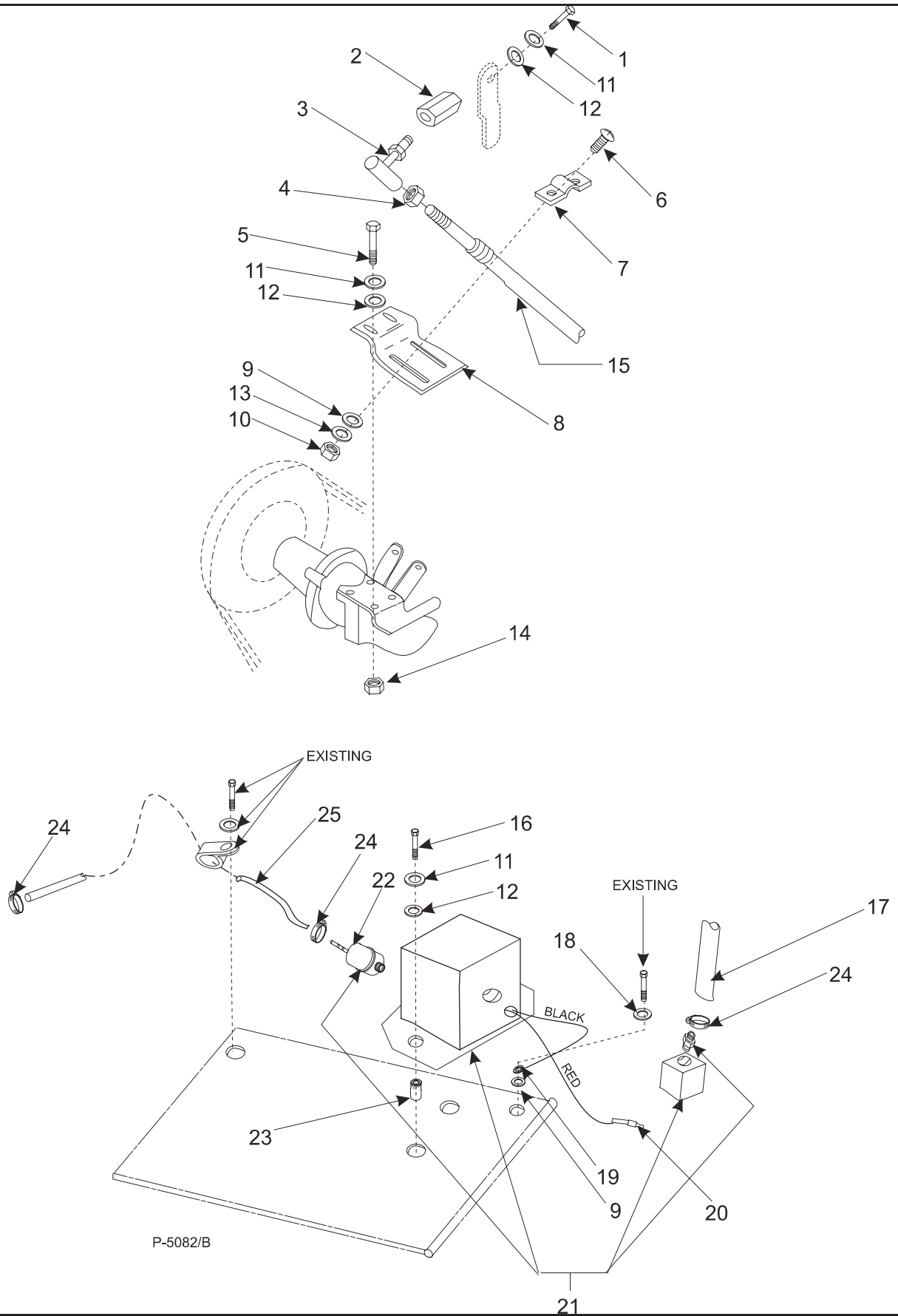
## THROTTLE, CHOKE, & FUEL PUMP - PARTS LIST

---

<u>KEY NO.</u>	<u>PART NUMBER</u>	<u>DESCRIPTION</u>	<u>QTY</u>
1	2-00-00220	Screw, ¼ - 20 x .630 HHC	1
2	8-75-01211	Spacer, Throttle Link	1
3	8-25-02036	Ball Joint Connector	1
4	2-00-00626	Nut, #10 - 32 Hex.	1
5	2-00-01490	Screw, ¼ - 20 x .880 HHC	2
6	2-00-04794	Screw, #10 - 24 x .630 BHMS	2
7	8-13-07094	Clamp, Conduit	1
8	8-08-00857	Bracket, Throttle Cable	1
9	2-00-00498	Lock Washer, #10 Ext.	2
10	2-00-01246	Nut, #10 - 24 Hex. Fiber Lock	2
11	2-00-00518	Lock Washer, Helical Spring ¼ Med.	3
12	2-00-03702	Flat Washer, .625 x .281 x .063	3
13	2-00-00426	Flat Washer, .500 x .220 x .060	2
14	2-00-00641	Nut, Hex ¼ - 20 Fiber Lock	2
15	8-10-00033	Throttle Cable	1
16	2-00-00221	Screw, ¼ - 20 x .750 HHC	2
17	8-33-02154	Hose, Fuel Line	1
18	2-00-00501	Lock Washer, ¼ Int.	1
19	2-00-00828	Terminal .25 Ring	1
20	2-00-04578	Terminal .156 Male Bullet	1
21	8-60-05028	Fuel Pump	1
22	8-24-04138	Fuel Filter (Service)	1
23	2-00-05261	Threaded Insert ¼ - 20	2
24	2-95-04388	Hose Clamp	3
25	8-33-02146	Hose, Fuel Line	1

P5082B

# THROTTLE, CHOKE, & FUEL PUMP - EXPLODED VIEW



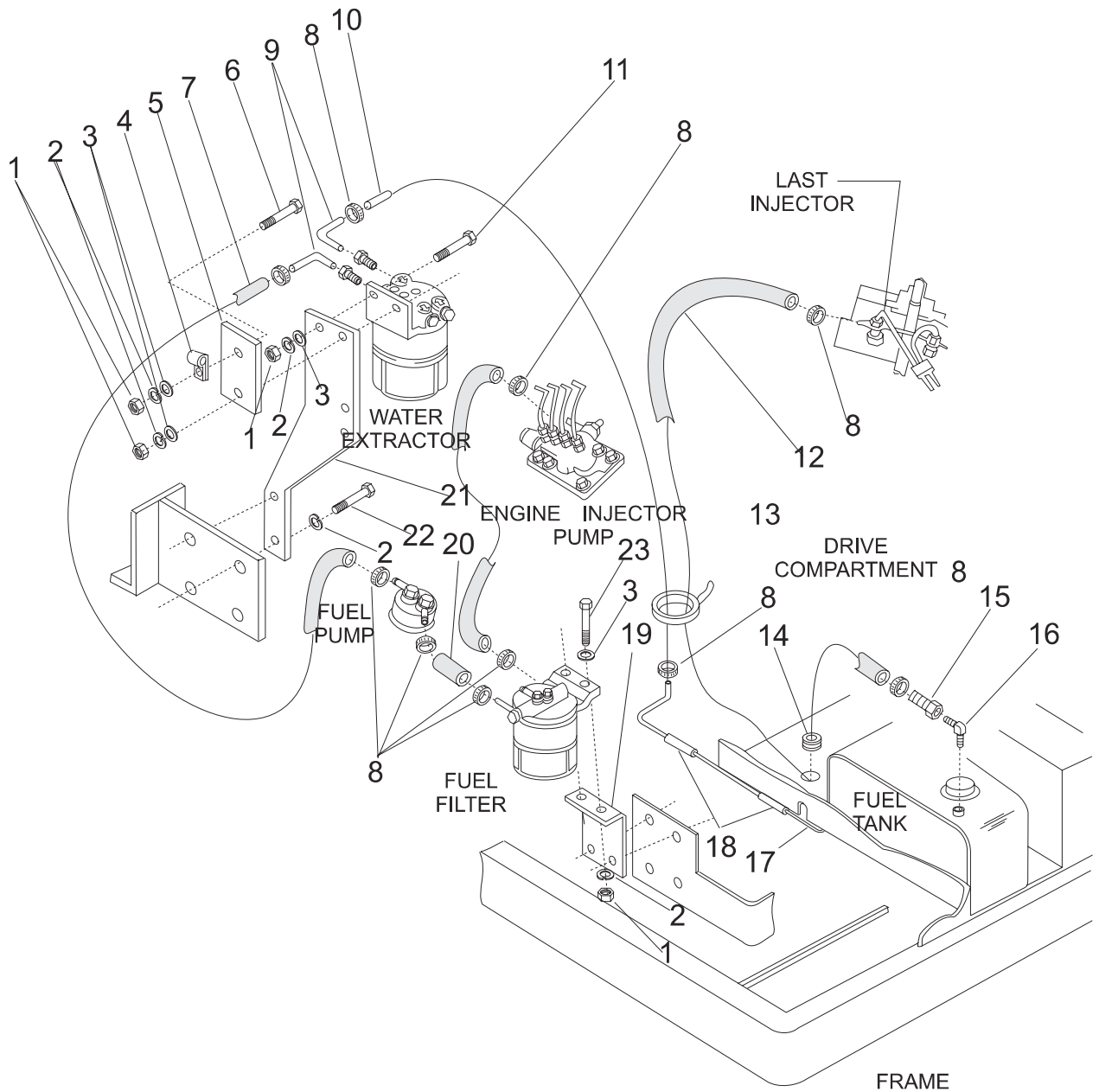
## FUEL & WATER EXTRACTOR (DIESEL) - PARTS LIST

---

<u>KEY NO.</u>	<u>PART NUMBER</u>	<u>DESCRIPTION</u>	<u>QTY</u>
1	2-00-02360	Nut, Hex 3/8 - 16 x .562 x .328	5
2	2-00-02310	Lock Washer, Helical Spring 3/8 Med	7
3	2-00-00402	Flat Washer, .750 x .390 x .093	5
4	2-00-04873	Throttle Cable Clamp, .500	1
5	7-08-00588	Throttle Cable Support Bracket	1
6	2-00-00233	Screw, 3/8-16 x 1.000 HHC	1
7	8-33-02145	Hose, Fuel Line (Extractor to Filter)	1
8	2-95-04388	Hose Clamp, .625	10
9	8-87-02101	Fuel Line	2
10	8-33-02172	Hose, Full Line	1
11	2-00-00235	Screw, 3/8-16 x 1.750 HHC	1
12	7-33-02241	Hose, (Fuel Return)	1
13	2-00-04345	Ty-wrap,	3
14	2-00-03878	Grommet, 1.125 x .625 x .437 x .187	1
15	2-00-04618	Hose Fitting Barbed, Female 45° Swivel 7/16-20	1
16	8-56-05021	Fitting, Tank	1
17	7-87-02160	Fuel Line (Steel Tube)	1
18	8-08-07050	Fuel Line Bumper	2
19	8-08-00710	Fuel Filter Bracket	1
20	8-33-02257	Fuel Line (Pump to Filter)	1
21	7-08-00584	Water Extractor Mount Bracket	1
22	2-00-00209	Screw, 3/8-16 x 1.250 HHC	2
23	2-00-00234	Screw, 3/8-16 x 1.500 HHC	3

P-5125/9609

# FUEL & WATER EXTRACTOR (DIESEL) - EXPLODED VIEW

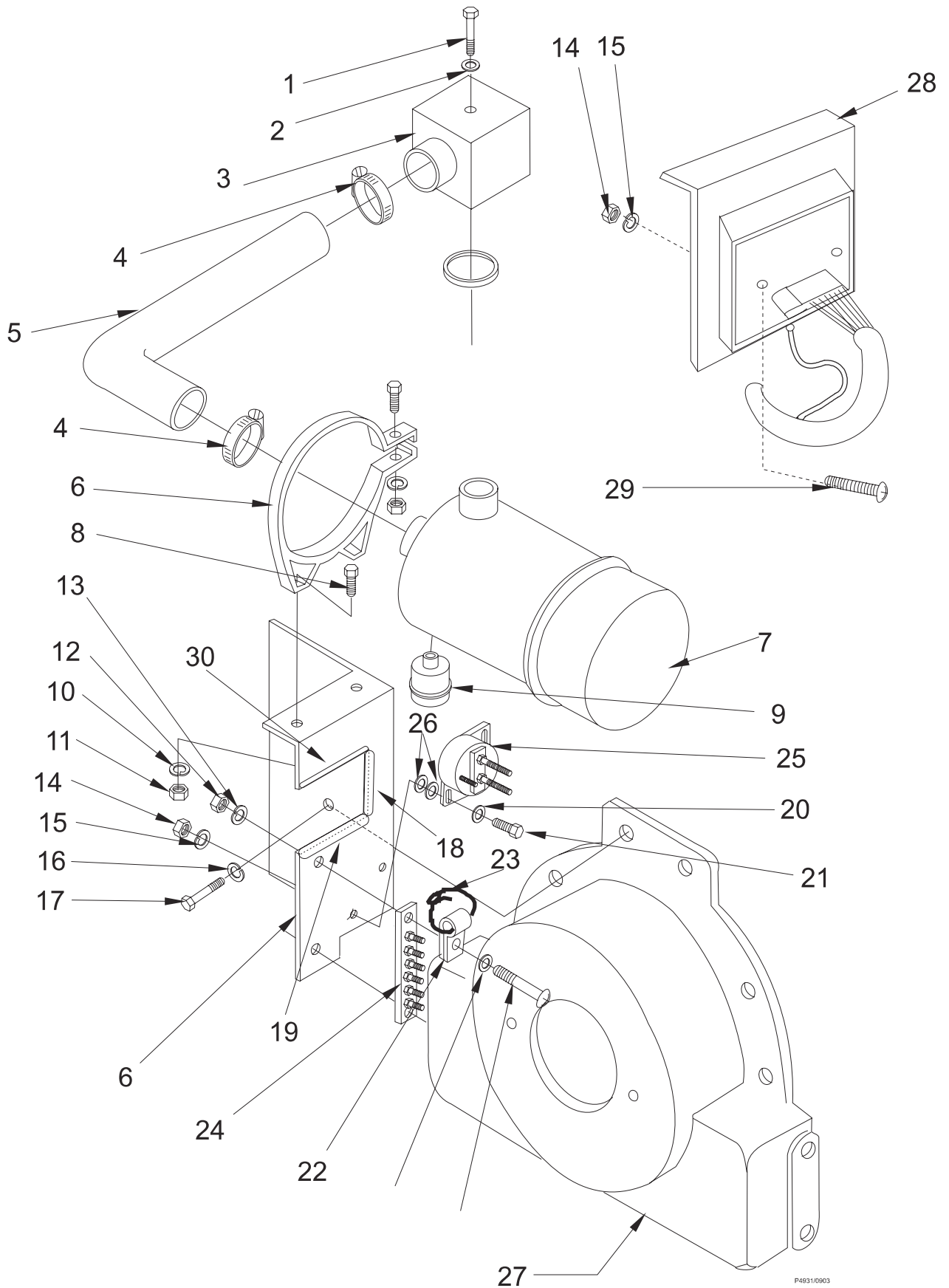


## AIR INTAKE (FORD) - PARTS LIST

<u>KEY NO.</u>	<u>PART NUMBER</u>	<u>DESCRIPTION</u>	<u>QTY</u>
1	2-00-01769	Screw, 1/4-20 x 1.75 HHC	1
2	2-00-04590	Washer, 1/4 Sealing	1
3	7-25-02076	Adapter, Carburetor	1
4	2-00-02216	Clamp	2
5	7-33-02207	Hose - Air Cleaner	1
6	8-24-04093	Bracket, Air Cleaner	1
7	8-24-04100	Air Cleaner Assembly	1
	8-24-04106	Air Cleaner Element (exterior)	
	8-24-04111	Air Cleaner Element (interior)	
8	2-00-00208	Screw, 5/16-18 x .75 HHC	2
9	8-24-04101	Indicator, Filter Service	1
10	2-00-02303	Lockwasher, Int. Tooth Zinc Pl	3
11	2-00-00585	Nut, Hex. 5/16-18 .500 x .265	2
12	2-00-00594	Nut, Hex. 1/4-20 x .437 x .218	2
13	2-00-00518	Lockwasher, 1/4 H. S. Med.	2
14	2-00-00605	Nut, Hex. MS #10-24 .375 x .125	4
15	2-00-00519	Lockwasher, #10 H. S. Med.	4
16	2-00-00505	Lockwasher, 3/8 Int.	2
17	2-00-05005	Screw, M10 x 1.5 - 30mm HHC	2
18	8-21-04019	Edging	1
19	7-21-04028	Edging	2
20	2-00-03702	Flatwasher, .625 x .281 x .063	2
21	2-00-00221	Screw, 1/4-20 x .75 HHC	2
22	2-00-04210	Clamp	1
23	2-00-04345	Ty-wrap	1
24	8-06-05006	Strip, Terminal	1
25	8-74-00012	Starter Relay	1
26	2-00-00503	Lockwasher, Int/Ext Tooth ZN	2
27	7-33-05098	Housing, Flywheel	1
28	0875-125	Electronic Control Module (Service P/N)	1
	0875-145	Service PN after Serial No. 752365	
29	2-00-00089	Screw, #10 - 24 x 1.500 RHM	2
30	7-21-04043	Edging	1

P-4931/0903

# AIR INTAKE (FORD) - EXPLODED VIEW





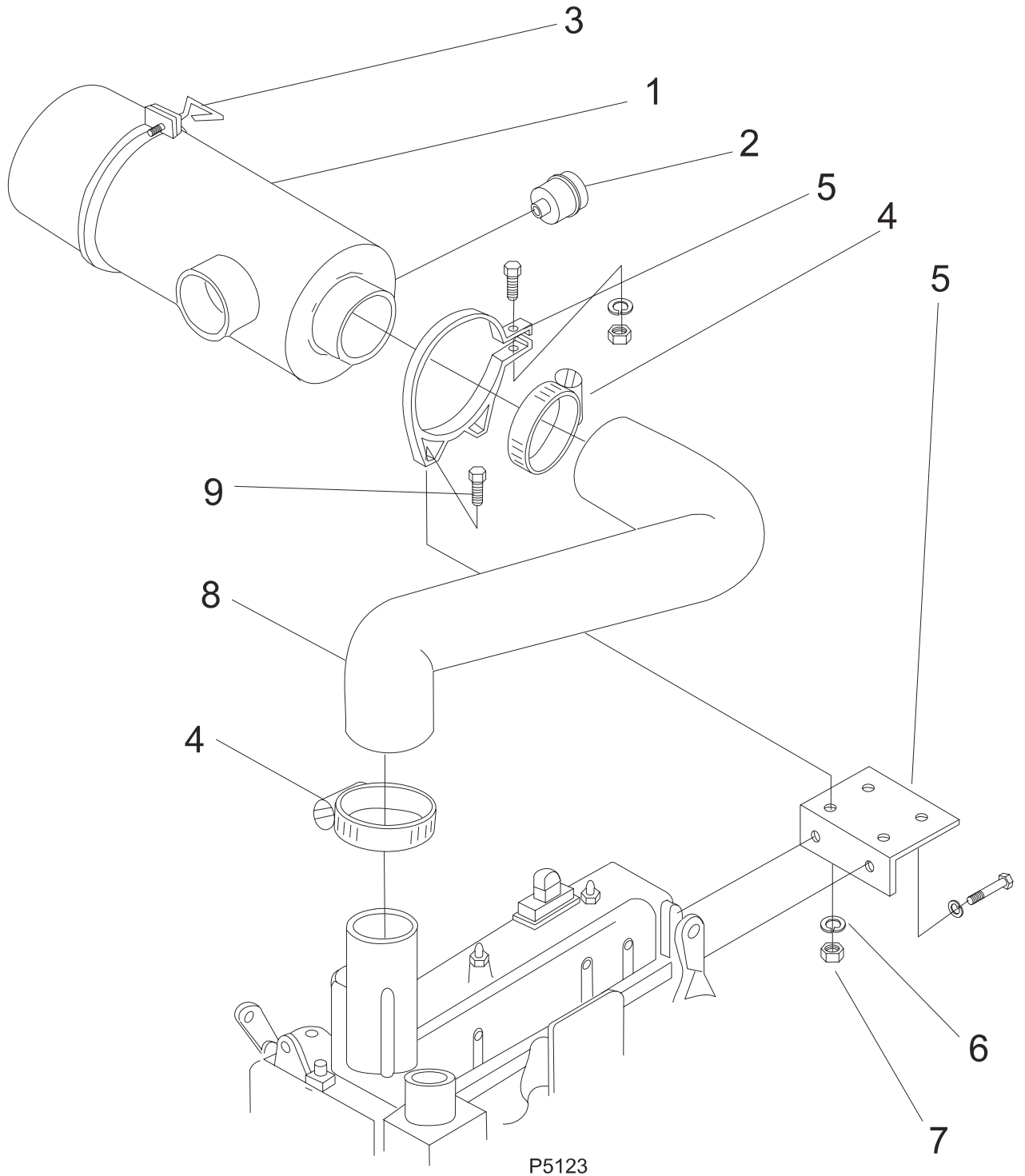
## AIR INTAKE (DIESEL) - PARTS LIST

---

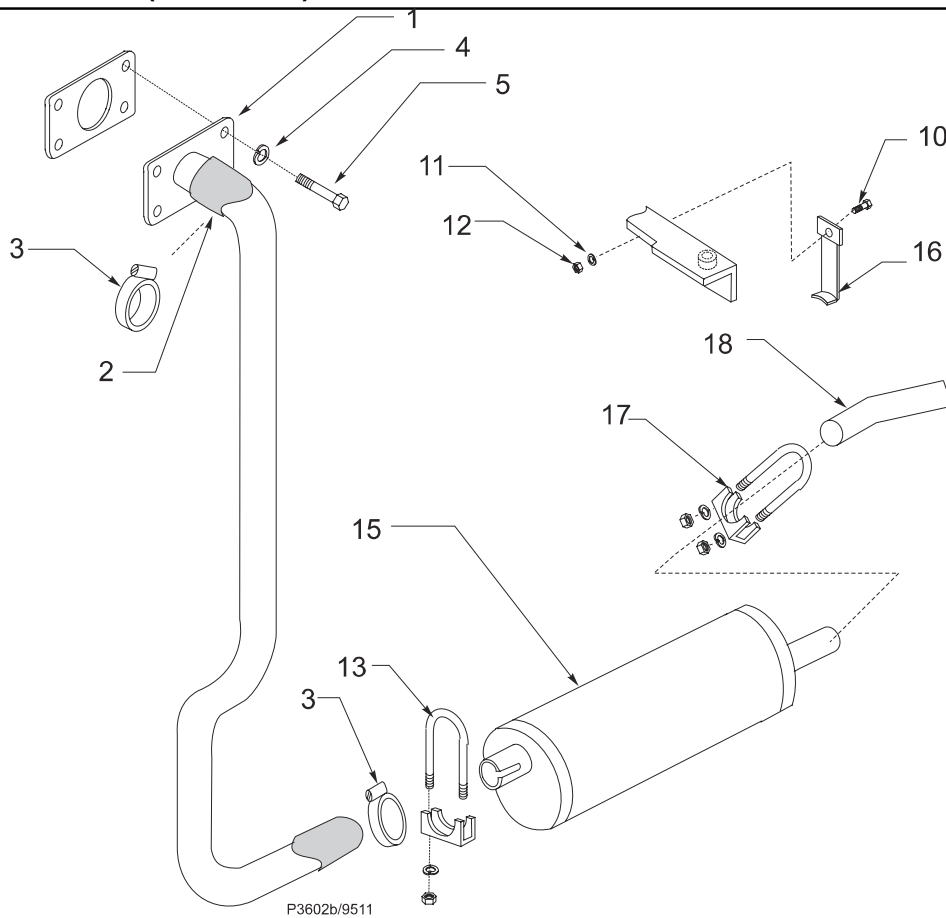
<u>KEY NO.</u>	<u>PART NUMBER</u>	<u>DESCRIPTION</u>	<u>QTY</u>
1	8-24-04100	Air Cleaner Assembly	1
2	8-24-04136	Filter Service Indicator	1
3	8-24-04093	Band Assembly, Air Cleaner	1
4	2-00-02215	Hose Clamp, .875 - 2.750	2
5	7-08-00582	Bracket, Air Cleaner Mounting	1
6	2-00-00518	Lock Washer, Helical Spring 1/4 Med	4
7	2-00-00594	Nut, Hex 1/4 - 20 x .437 x .21	4
8	7-33-02236	Hose, Air Intake	1
9	2-00-00221	Screw, 1/4 - 20 x .750 HHC	4

P-5123/9609

**AIR INTAKE (DIESEL) - EXPLODED VIEW**



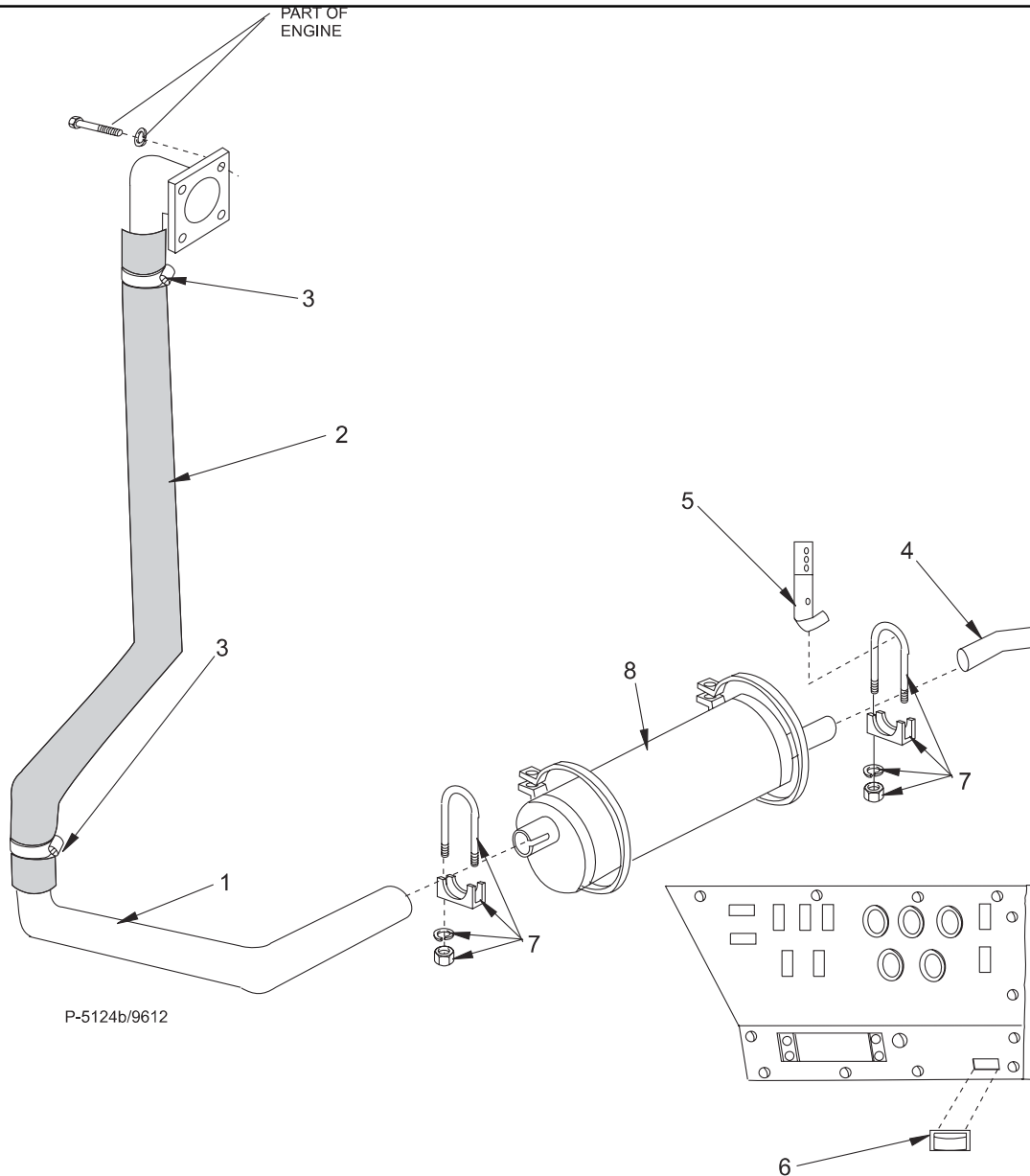
## EXHAUST SYSTEM (GAS & LP)



KEY NO.	PART NUMBER	DESCRIPTION	QTY
1	7-56-04054	Exhaust Pipe	1
2	7-34-09016	Insulating Sleeve	1
3	2-00-02215	Hose Clamp, .875 - 2.750	2
4	2-00-00505	Lock Washer, Helical Spring 3/8 Int.	4
5		Screw, M10 x 1.5 25mm MHHC ( w/ Engine)	4
6			
7			
8			
9			
10	2-00-00233	Screw, 3/8 - 16 x 1.000	1
11	2-00-02310	Lock Washer, 3/8	1
12	2-00-02360	Nut, 3/8-16	1
13	2-00-04040	Exhaust Clamp	2
14			
15	7-49-00031	Muffler	1
	0780-384	Purifier Muffler (Option)	1
16	7-31-07017	Muffler Clamp	1
17	2-00-04040	Muffler Clamp	1
18	7-56-04055	Tail Pipe	1

P-3602B/9609

## EXHAUST SYSTEM (DIESEL)



KEY NO.	PART NUMBER	DESCRIPTION	QTY
1	7-56-04056	Exhaust Pipe	1
2	7-34-09015	Insulating Sleeve	1
3	2-00-03404	Hose Clamp	2
4	7-56-04055	Tail Pipe	1
5	7-31-07017	Hanger	1
6	8-82-00045	Switch - Momentary On/Off	1
7	2-00-04040	Exhaust Clamp	2
8	7-49-00031	Muffler	1
8	0780-385	Purifier Muffler Option	1

P-5124B/9609

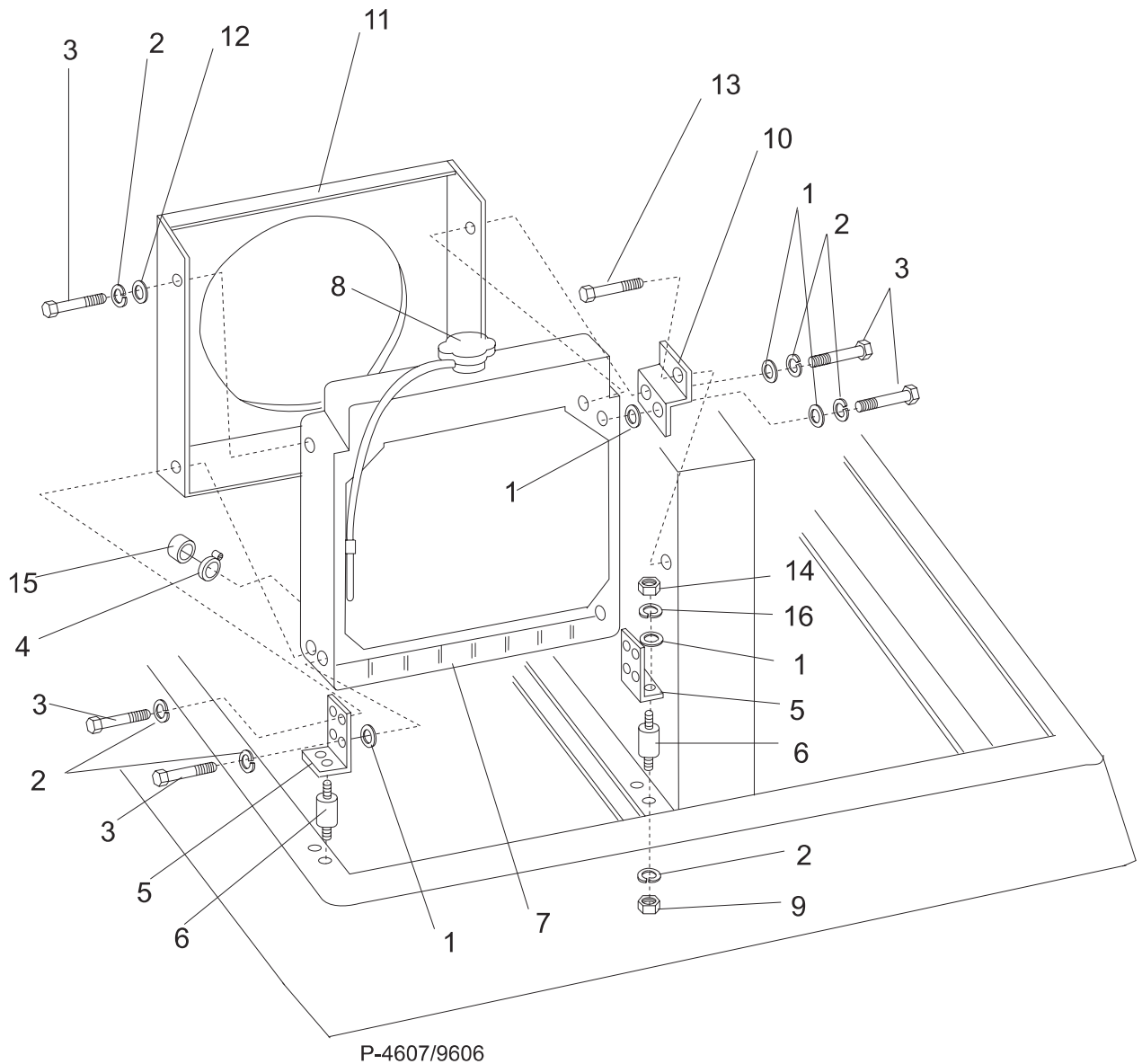
## RADIATOR & SHROUD - PARTS LIST

---

<u>KEY NO.</u>	<u>PART NUMBER</u>	<u>DESCRIPTION</u>	<u>QTY</u>
1	2-00-03702	Flat Washer, .625 x .281 x .062	8
2	2-00-00518	Lock Washer, Helical Spring 1/4 Med	16
3	2-00-00220	Screw, 1/4 - 20 x .625 HHC	7
4	2-00-03404	Hose Clamp, 1.062 - 2.000	1
5	7-08-00834	Radiator Mounting Bracket	2
6	8-50-05053	Pad, Radiator Mount	4
7	8-62-01011	Radiator	1
8	8-11-00045	Radiator Cap	1
9	2-00-00501	Lock Washer, 1/4 Int.	4
10	7-08-00483	Radiator Mounting Bracket	1
11	7-72-00012	Fan Shroud (Gas Only)	1
11	7-72-00008	Fan Shroud (Diesel Only)	1
12	2-00-01676	Flat Washer, 1.062 x .265 x .06	1
13	2-00-00209	Screw, 3/8 - 16 x 1.250 HHC	Ref.
14	2-00-00589	Nut, Hex Jam 1/4-20 x .437 x .156	4
15	2-00-04913	Hose Plug	1

P-4607/9606

# RADIATOR & SHROUD - EXPLODED VIEW

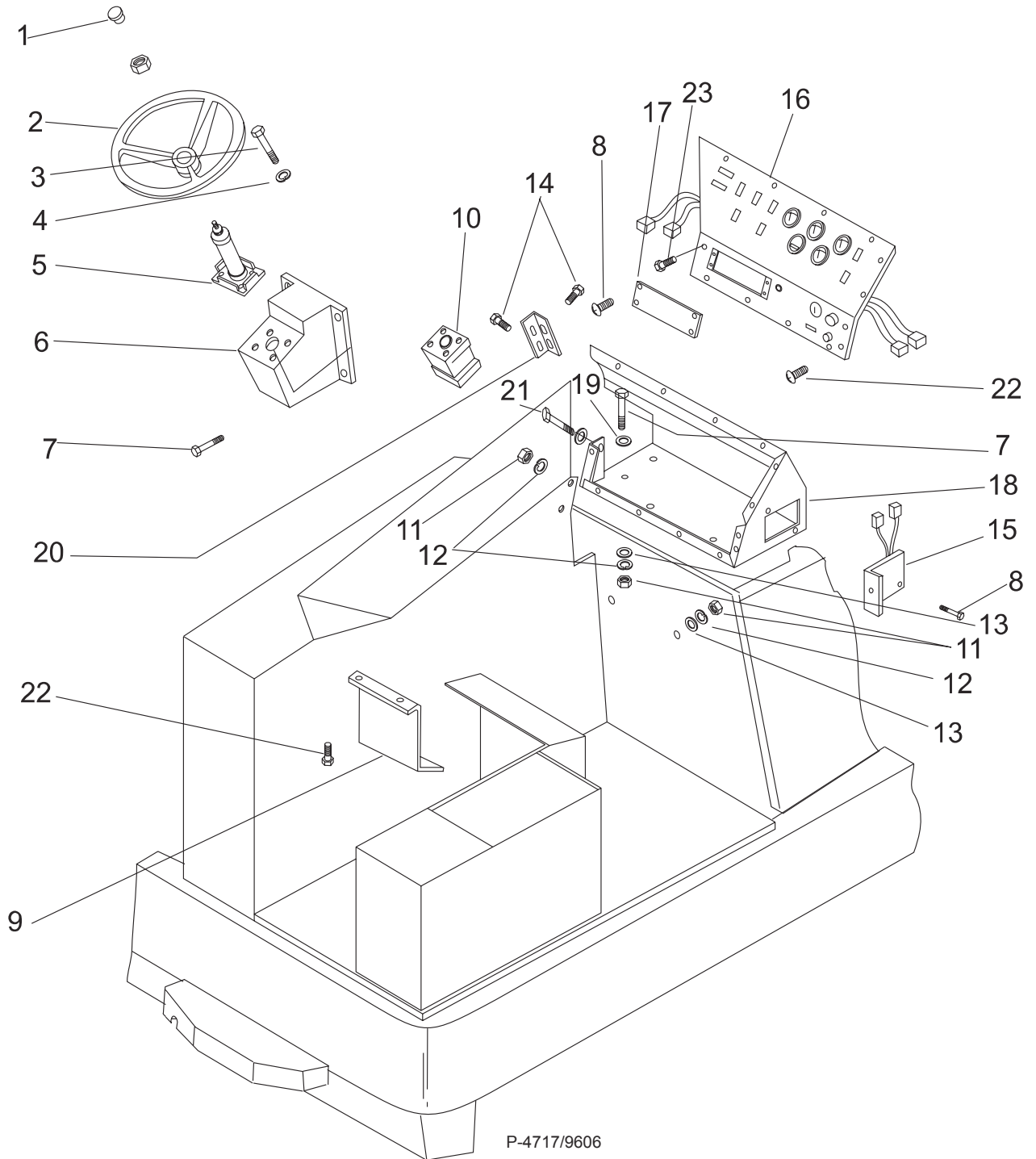


## STEERING & INSTRUMENT PANEL - PARTS LIST

<u>KEY NO.</u>	<u>PART NUMBER</u>	<u>DESCRIPTION</u>	<u>QTY</u>
1	8-11-00022	Steering Wheel Cap	1
2	7-89-08041	Steering Wheel	1
3	2-00-00232	Screw, 3/8 - 16 x .750 HHC	4
4	2-00-02310	Lock Washer, Helical Spring 3/8 Med	4
5	7-70-05135	Steering Column Assembly	1
6	7-33-05099	Steering Housing	1
7	2-00-04685	Screw, 1/4-20 x .750 SS	8
8	2-00-03059	Screw, #10 - 24 x .375 THM	6
9	7-16-07283	Panel Cover	1
10	7-60-05029	Steering Control Unit Pump	1
	0880-675	Seal Kit	1
11	2-00-04688	Nut, Hex 1/4 - 20 Ss	10
12	2-00-04687	Lock Washer, 1/4 SS	10
13	2-00-04590	Sealing Washer, .63 x .250	8
14	2-00-04876	Screw, 1/4 - 20 x .500 BHS	4
15	7-52-00081	Circuit Breaker Panel	1
16	7-52-00080	Instrument Panel	1
17	7-52-00083	Blank Panel	1
18	7-33-05096	Console Housing	1
19	2-00-03702	Flat Washer	4
20	7-08-00510	Console Support Bracket	1
21	2-00-00219	Screw, .25-20 x .50	3
22	2-00-03466	Screw, #10-16 x .500 T/F RHM	14

P-4717

# STEERING & INSTRUMENT PANEL - EXPLODED VIEW





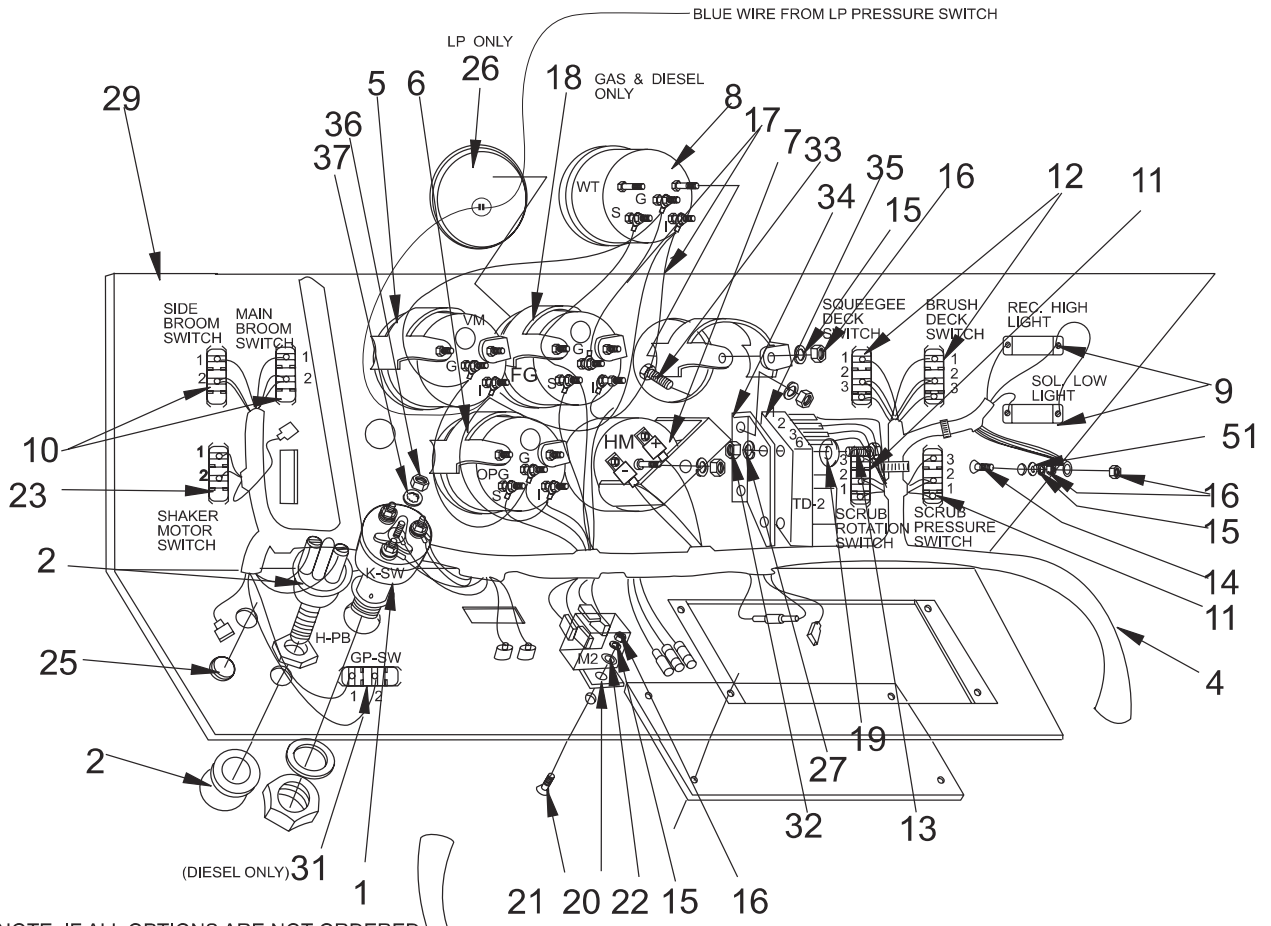
## INSTRUMENT PANEL - PARTS LIST

---

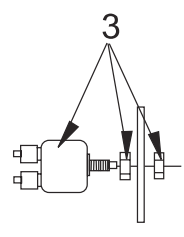
<u>KEY NO.</u>	<u>PART NUMBER</u>	<u>DESCRIPTION</u>	<u>QTY</u>
1	7-82-00026	Key Switch (K-SW)	1
2	8-82-00024	Horn, Push Button (H-PB)	1
3	8-64-00008	Circuit Breaker (15 AMP)	8
4	0795-109	Harness, Instrument Panel (IP-WM)	1
5	8-48-00016	Voltmeter (VM)	1
6	8-48-05027	Gauge, Oil Pressure (OPG)	1
7	8-48-05023	Gauge, Hour Meter (HM)	1
8	8-48-05028	Gauge, Water Temperature (WTG)	1
9	7-40-05028	Light, Rec High - Solution Low	2
10	8-82-00044	Switch, Main Broom & Side Broom	2
11	7-82-00019	Switch, SPST On/Off (L)	2
12	7-82-00020	Switch, SPDT On/On	2
13	2-00-05060	Screw, #6 - 32 x 1.250 RHM	2
14	2-00-03062	Screw, #10 - 24 x .625 THM	1
15	2-00-00519	Washer, #10 Lock Med. Helical Spring	3
16	2-00-00605	Nut, #10 - 24 Hex.	5
17	8-90-07357	Wire, WTG to FG (Gas & Diesel Only)	2
18	8-48-05032	Gauge, Fuel (Gas & Diesel Only)	1
19	2-00-00455	Washer, #6 Flat	2
20	8-64-00012	Relay, Shaker Motor	1
21	2-00-03063	Screw, #10 - 24 x .750 THM	1
22	2-00-00466	Flat Washer, .833 x .250 x .031	1
23	8-82-00045	Switch, Shaker Motor (SM - SW)	1
24	2-00-04745	Hole Plug	2
25	2-00-04942	Hole Plug (Light SW)	1
26	7-11-04035	Kit, Low LP Indicator Light (LP Only)	1
27	2-00-01499	Lock Washer, #6	2
28	0795-111	Harness, Circuit Breaker	1
29	7-52-00080	Weldment, Instrument Panel	1
30	7-52-00081	Panel, Circuit Breaker Mount	1
31	8-82-00045	Switch, Glow Plug (Diesel Only)	1
32	2-00-00624	Nut, #6 - 32 Hex.	2
33	2-00-03061	Screw, #10 - 24 x .500 THM	2
34	8-08-00748	Bracket, Relay	1
35	8-64-05011	Relay (20 Sec. Time Delay)	1
36	2-00-02330	Nut, #10 - 32 Hex.	4
37	2-00-00512	Washer, #10 Int.	5

C-1304/9809

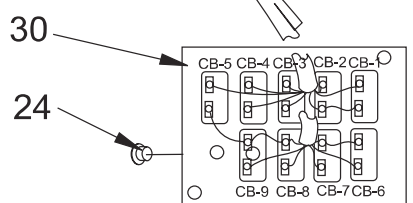
# INSTRUMENT PANEL - EXPLODED VIEW



NOTE: IF ALL OPTIONS ARE NOT ORDERED, PLUG (1) 8-11-00015 INTO EACH WIRE NOT USED.



C-1304/0603



## INSTRUMENT PANEL (MANUAL DUMP) - PARTS LIST

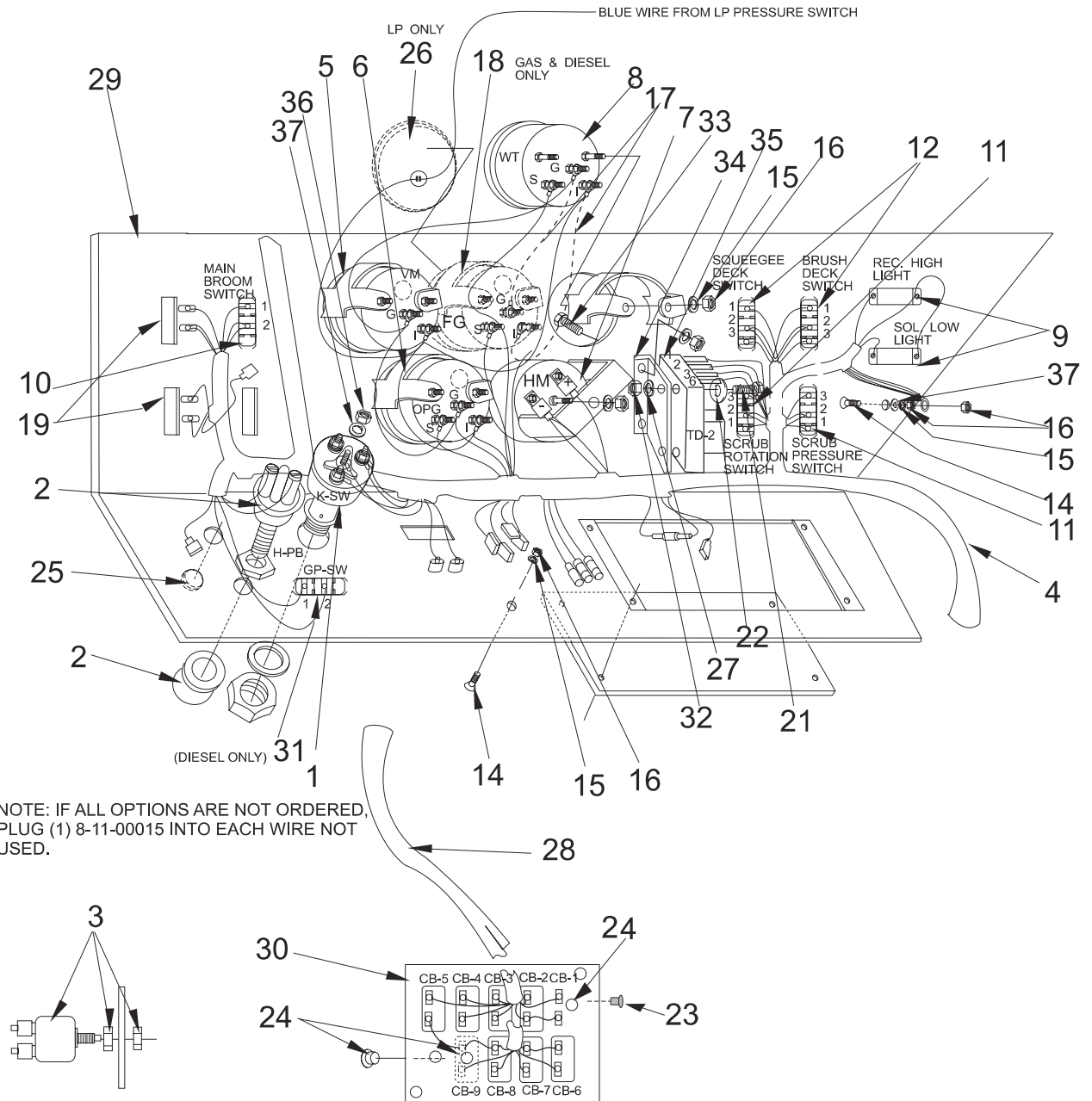
<u>KEY NO.</u>	<u>PART NUMBER</u>	<u>DESCRIPTION</u>	<u>QTY</u>
1	7-82-00026	Key Switch (K-SW)	1
2	8-82-00024	Horn, Push Button (H-PB)	7
3	8-64-00008	Circuit Breaker (15 Amp)	8
4	0795-109	Harness, Instrument Panel (IP-WM)	1
5	8-48-00016	Voltmeter (VM)	1
6	8-48-05027	Gauge, Oil Pressure (OPG)	1
7	8-48-05023	Gauge, Hour Meter (HM)	1
8	8-48-05028	Gauge, Water Temp. (WTG)	1
9	7-40-05028	Light, Rec High - Solution Low	2
10	8-82-00044	Switch, Main Broom & Side Broom	1
11	7-82-00019	Switch, SPST On/Off (L)	2
12	7-82-00020	Switch, SPDT On/Off	2
13			
14	2-00-03062	Screw, #10-24 X .625 THM	2
15	2-00-00519	Washer, #10 Lock Med. Hel. Spr.	3
16	2-00-00605	Nut, #10-24 Hex	5
17	8-90-07357	Wire, WTG To FG (Gas & Diesel Only)	2
18	8-48-05032	Gauge, Fuel (Gas & Diesel Only)	1
19	2-00-04896	Plug	2
20	8-64-00012	Relay, Shaker Motor	1
21			
22			
23	2-00-04604	Hole Plug	1
24	2-00-04757	Hole Plug	3
25	2-00-04942	Hole Plug (Light SW)	1
26	7-11-04035	Kit, Low LP Indicator Light (LP Only)	1
27			
28	0795-111	Harness, Circuit Breaker	1
29	7-52-00080	Weldment, Instrument Panel	1
30	7-52-00081	Panel, Circuit Breaker Mount	1
31			
32			
33			
34			
35			
36			
37			
37A	2-00-05060	Screw, 6-32 X 1.250 RHM	2
38			
38A	2-00-00455	Washer, #6 Flat	2
39			
39A	2-00-01499	Washer, #6 Lock	2
40	8-82-00045	Switch, Glow Plug (Diesel Only)	1
40A	2-00-00624	Nut, 6-32 Hex	2
41			
42	2-00-03061	Screw, #10-24 X .500 THM	2
43	8-08-00748	Bracket, Relay	1
44	8-64-05011	Relay (20 Sec. Time Delay)	1
45			
46			
47			
48			
49			
50	2-00-02330	Nut, #10-232 Hex	4
51	2-00-00512	Washer, #10 Int.	5

C-1305/9609

2-114

American-Lincoln  
7760

# INSTRUMENT PANEL (MANUAL DUMP) - EXPLODED VIEW



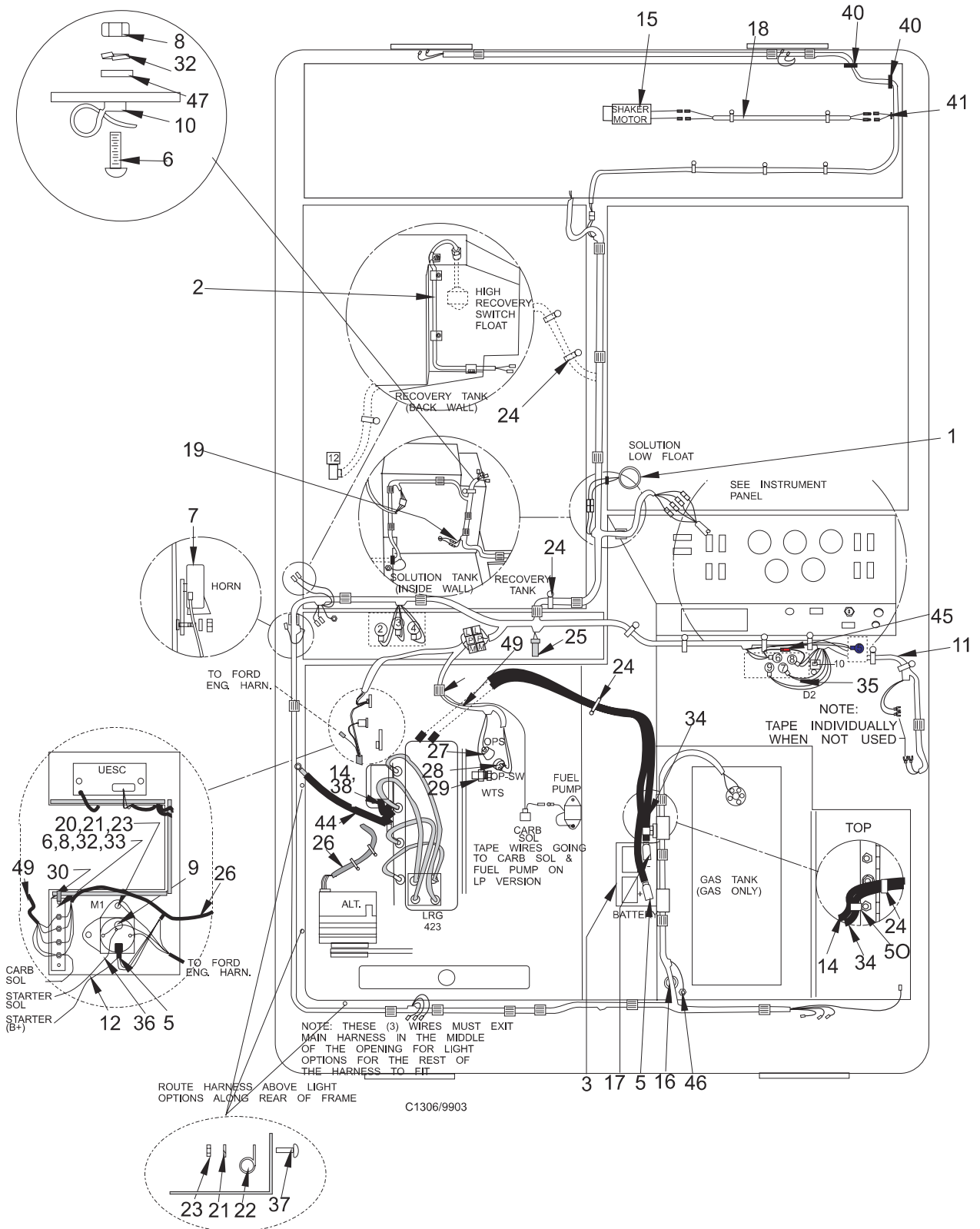
C-1305/0603

## FORD 425 WIRING (VARIABLE DUMP) - PARTS LIST

<u>KEY NO.</u>	<u>PART NUMBER</u>	<u>DESCRIPTION</u>	<u>QTY</u>
1	7-82-00017	Float, Switch (Solution Low)	Ref.
2	7-82-00021	Float, Switch (Rec. High)	Ref.
3	0875-008	Battery	Ref.
4	8-09-01083	Bushing, Connector (Liquid Tight)	2
5	2-00-05171	Boot, Protective (Red)	2
6	2-00-03063	Screw, #10 - 24 x .750 THM	4
7	8-32-09013	Horn	Ref.
8	2-00-00605	Nut, #10 - 24	4
9	2-00-04203	Boot, Protective (Black)	1
10	2-00-04937	Tie, Cable	2
11	0795-110	Harness, Machine	1
12	8-90-07443	Wire, M1 Sol. To Starter (B+)	1
13	7-13-07096	Clamp, Adjustable	33
14	8-90-07167	Cable, Battery (Positive)	1
15	0882-227	Motor, Shaker	Ref.
16	8-09-01081	Bushing, Snap	1
17	2-00-05173	Boot, Protective (Black)	1
18	8-90-07433	Wire Assembly, Hopper (HO - WA)	1
19	2-00-04551	Terminal, .156 Bullet	2
20	2-00-00221	Screw, 1/4 - 20 x .750 HHC	4
21	2-00-00518	Washer, 1/4 Lock	7
22	2-00-04602	Clamp	3
23	2-00-00594	Nut, 1/4 - 20 Hex	7
24	2-00-04345	Ty-Rap	35
25	8-82-00058	Switch, Back-Up	Ref.
26	0895-122	Harness, 423 LRG Engine	1
27	8-69-00005	Sender, Oil Pressure	Ref.
28	8-82-00046	Switch, Oil Pressure	Ref.
29	8-69-00013	Sender, Water Temperature	Ref.
30	2-00-04937	Tie, Cable	1
31	8-06-05006	Block, Terminal	Ref.
32	2-00-00519	Lock Washer, #10	4
33	2-00-00466	Washer, #10	2
34	7-90-07262	Cable, Battery (Negative)	1
35	0875-087	Diode Assembly	1
36	8-90-07442	Wire, Start 11 Sol. To Start Sol.	1
37	2-00-00183	Screw, 1/4 - 20 x .750 THM	3
38	2-00-04952	Boot, Protective (Red)	1
39			
40	8-09-01082	Bushing - Universal	Ref.
41	2-00-03878	Grommet	Ref.
42			
43			
44	8-90-07328	Cable, Ground	1
45	0775-226	Diode Assembly	1
46	2-00-00498	Lock Washer, 1/4 Ext.	1
47	2-00-01974	Washer, #10 Sealing	1
48	2-00-04721	Grommet	1
49	0895-113	Harness, Engine	1
50	2-00-04873	Clamp	Ref.

C-1306/9903

# FORD 425 WIRING (VARIABLE DUMP) - EXPLODED VIEW

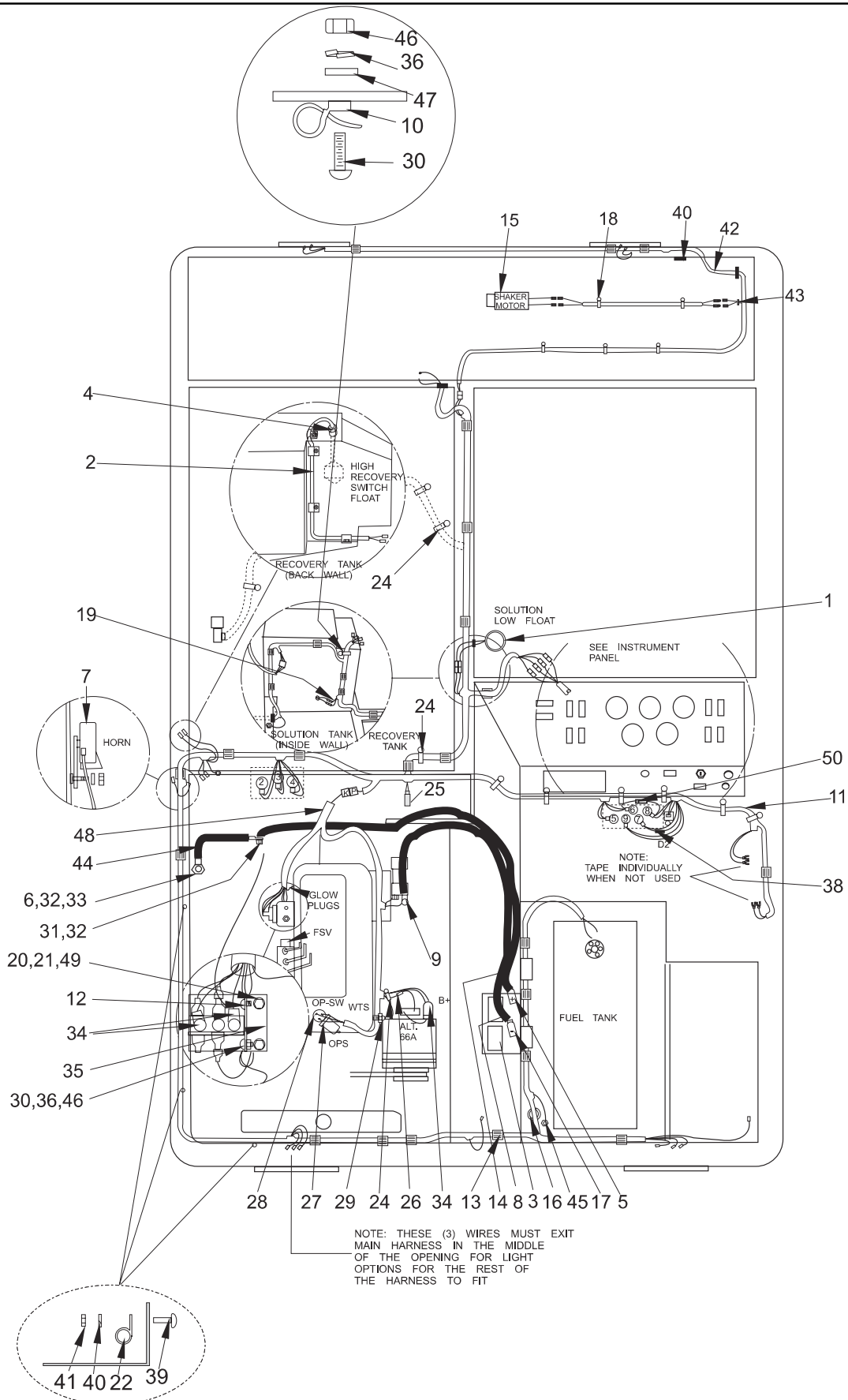


## PERKINS WIRING (VARIABLE DUMP) - PARTS LIST

KEY NO.	PART NUMBER	DESCRIPTION	QTY
1	7-82-00017	Float, Switch (Solution Low)	Ref.
2	7-82-00021	Float, Switch (Rec. High)	Ref.
3	0875-057	Battery	Ref.
4	8-09-01083	Bushing, Connector (Liquid Tight)	1
5	2-00-05171	Boot, Protective (Red)	Ref.
6	2-00-00232	Screw, 3/8-16 x .750 HHC	Ref.
7	8-32-09013	Horn	Ref.
8	7-90-07262	Cable, Battery (Negative)	Ref.
9	2-00-04952	Boot, Protective (Red)	1
10	2-00-04937	Tie, Cable	1
11	0795-110	Harness, Machine	1
12	2-00-03060	Screw, #10-24 x .250 THMS	Ref.
13	7-13-07096	Clamp, Adjustable	33
14	7-90-07280	Cable, Battery (Positive)	Ref.
15	0882-227	Motor, Shaker	Ref.
16	8-09-01081	Bushing, Snap	1
17	2-00-05173	Boot, Protective (Black)	Ref.
18	8-90-07433	Wire Assy., Hopper (HO-WA)	1
19	2-00-04551	Terminal, .156 Bullet	2
20	2-00-04363	Screw, M8-1.250 x 20 mm	Ref.
21	2-00-00409	Flat Washer, 5/16	Ref.
22	2-00-04602	Clamp	3
23	2-00-03061	Screw, #10-24 x .500 RHM	Ref.
24	2-00-04345	Tye-Rap	30
25	7-82-00008	Switch, Back-Up	Ref.
26	0895-092	Wire Harness Assembly (D1)	1
27	8-69-00005	Sender, Oil Pressure	Ref.
28	8-82-00046	Switch, Oil Pressure	Ref.
29	8-69-00014	Sender, Water Temp.	Ref.
30	2-00-00056	Screw, #10-24 x .750 THM	Ref.
31	2-00-00233	Screw, 3/8-16 x 1.000 HHC	Ref.
32	2-00-03829	Lock Washer, 3/8 Int./Ext.	Ref.
33	2-00-02360	Nut, 3/8-16 Hex	Ref.
34	2-00-04203	Boot, (Black)	3
35	8-08-00604	Bracket	Ref.
36	2-00-00519	Lock Washer, #10	2
37	2-00-00460	Flat Washer, #10	Ref.
38	0875-087	Diode Assembly (D2)	1
39	2-00-00183	Screw, 1/4-20 x .750 THM	3
40	2-00-00518	Lock Washer, 1/4 ID Helical Spring	3
41	2-00-00594	Nut, 1/4-20 Hex	3
42	8-09-01082	Bushing Star	Ref.
43	2-00-03878	Grommet	1
44	8-90-07328	Cable, Ground	Ref.
45	2-00-00498	Lock Washer, 1/4 Ext.	1
46	2-00-00605	Nut, #10-24 Hex	2
47	2-00-01974	Washer, #10 Sealing	1
48	0795-112	Harness, Engine	1
49	2-00-00530	Lock Washer, .31	Ref.
50	0775-226	Diode Assembly	1

P-3659/9903

# PERKINS WIRING (VARIABLE DUMP) - EXPLODED VIEW





## FORD 425 WIRING (MANUAL DUMP) - PARTS LIST

---

<u>KEY NO.</u>	<u>PART NUMBER</u>	<u>DESCRIPTION</u>	<u>QTY.</u>
1	7-82-00017	Float, Switch (Solution Low)	Ref.
2	7-82-00021	Float, Switch (Rec. High)	Ref.
3	0875-057	Battery	Ref.
4	8-09-01083	Bushing, Connector (Liquid Tight)	1
5	2-00-05171	Boot, Protective (Red)	2
6	2-00-03063	Screw, #10-24 X 3/4 THM	4
7	8-32-09013	Horn	Ref.
8	2-00-00605	Nut, #10-24	4
9	2-00-04203	Boot, Protective (Black)	1
10	2-00-04937	Tie, Cable	2
11	0795-110	Harness, Machine	1
12	8-90-07443	Wire, M1 Sol. To Starter (B+)	1
13	7-13-07096	Clamp, Adjustable	38
14	8-90-07167	Cable, Battery (Positive)	1
15			
16	8-09-01081	Bushing, Snap	1
17	2-00-05173	Boot, Protective (Black)	1
18			
19	2-00-04551	Terminal, .156 Bullet	2
20	2-00-00221	Screw, 1/4-20 X 3/4 HHC	4
21	2-00-00518	Washer, 1/4 Lock	7
22	2-00-04602	Clamp	3
23	2-00-00594	Nut, 1/4-20 Hex	7
24	2-00-04345	Tye-Rap	35
25	8-82-00058	Switch, Back-Up	Ref.
26	0895-122	Harness, 423 LRG Engine	1
27	8-69-00005	Sender, Oil Pressure	Ref.
28	8-82-00046	Switch, Oil Pressure	Ref.
29	8-69-00013	Sender, Water Temp.	Ref.
30	2-00-04937	Tie, Cable	1
31	8-06-05006	Block, Terminal	Ref.
32	2-00-00519	Washer, #10 Lock	4
33	2-00-00466	Washer, #10	2
34	7-90-07262	Cable, Battery (Negative)	1
35	0875-087	Diode Assembly	1
36	8-90-07442	Wire, Start 11 Sol To Start Sol.	1
37	2-00-00183	Screw, 1/4-20 X .750 THM	3
38	2-00-04952	Boot, Protective (Red)	1
39	2-00-01128	Butt Splice	1
40	8-90-07328	Cable, Ground	1
41	2-00-00498	Washer, 1/4 Ext. Lock	1
42	2-00-01974	Washer, #10 Sealing	1
43	0895-099	Harness, Engine	1
44	2-00-04873	Clamp	Ref.

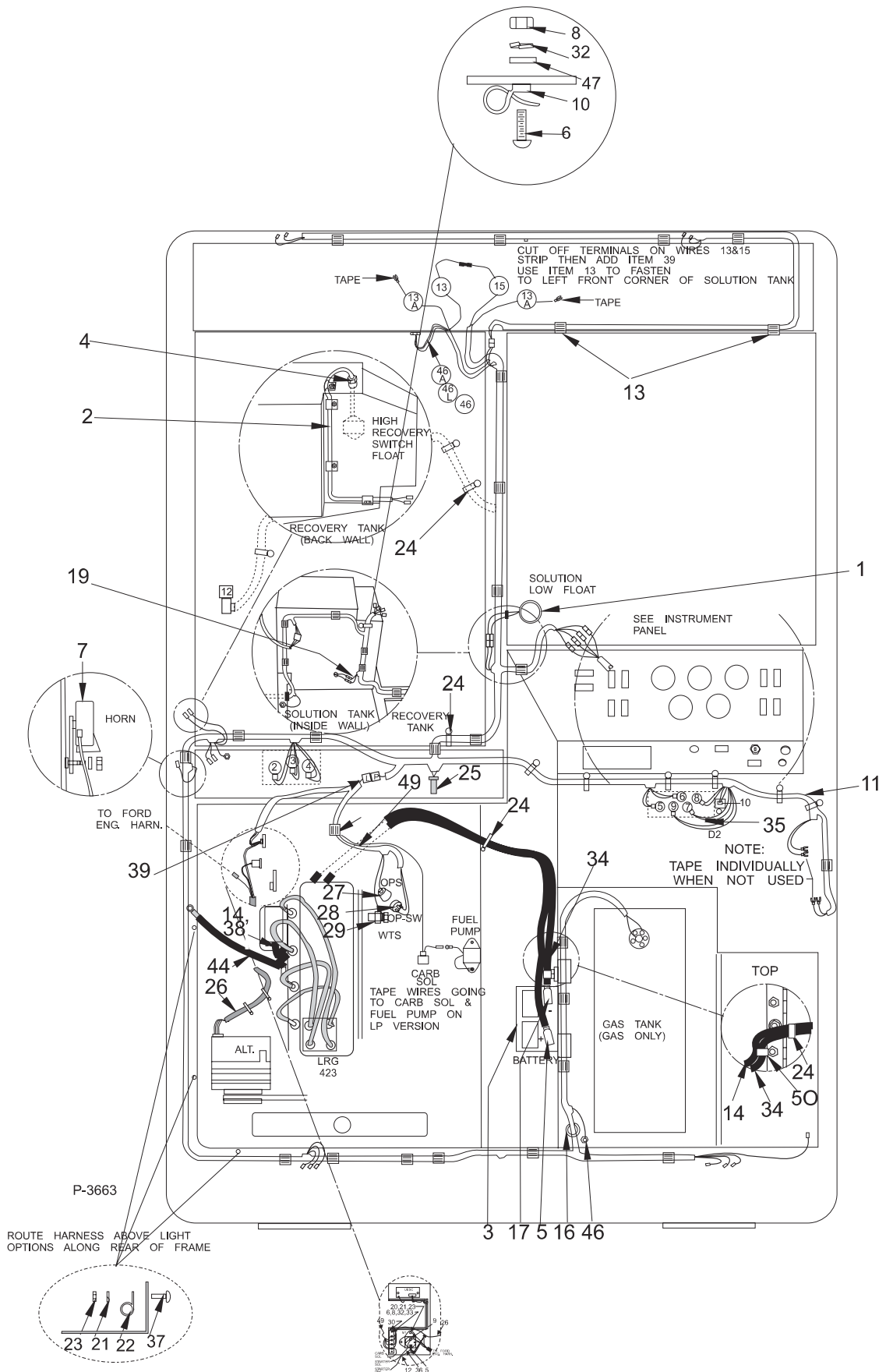
---

P-3663

2-120

American-Lincoln  
7760

# FORD 425 WIRING (MANUAL DUMP) - EXPLODED VIEW

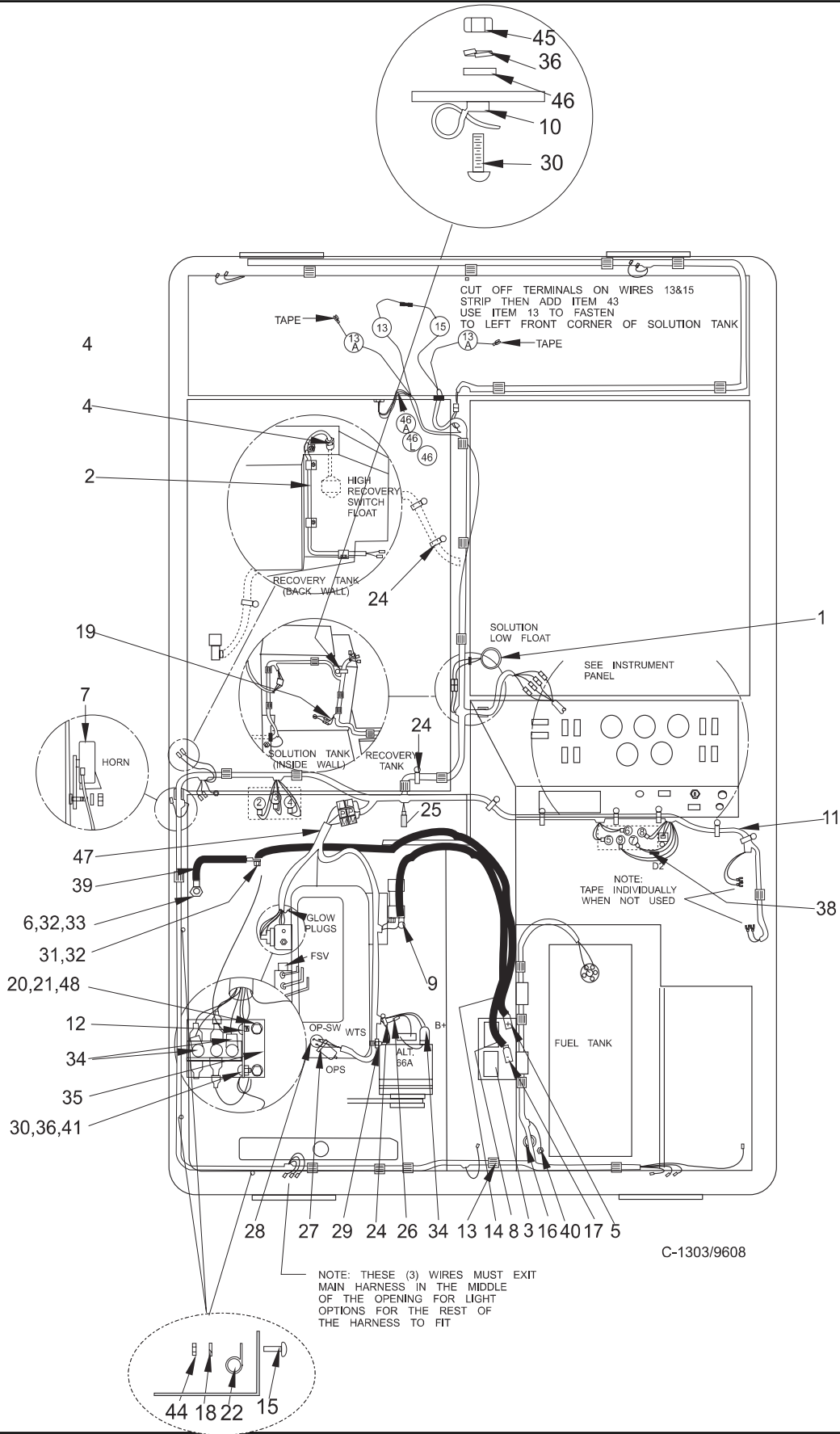


## PERKINS WIRING (MANUAL DUMP) - PARTS LIST

<u>KEY NO.</u>	<u>PART NUMBER</u>	<u>DESCRIPTION</u>	<u>QTY.</u>
1	7-82-00017	Float, Switch (Solution Low)	Ref.
2	7-82-00021	Float, Switch (Rec. High)	Ref.
3	0875-057	Battery	Ref.
4	8-09-01083	Bushing, Connector (Liquid Tight)	1
5	2-00-05171	Boot, Protective (Red)	Ref.
6	2-00-00232	Screw, 3/8-16 x .750 HHC	Ref.
7	8-32-09013	Horn	Ref.
8	7-90-07262	Cable, Battery (Negative)	Ref.
9	2-00-04952	Boot, Protective (Red)	1
10	2-00-04937	Tie, Cable	1
11	0795-110	Harness, Machine	1
12	2-00-03060	Screw, #10-24 x .250 THMS	Ref.
13	7-13-07096	Clamp, Adjustable	38
14	7-90-07280	Cable, Battery (Positive)	Ref.
15	2-00-00183	Screw, 1/4-20 Hex	3
16	8-09-01081	Bushing, Snap	1
17	2-00-05173	Boot, Protective (Black)	Ref.
18	2-00-00518	Washer, Lock, 1/4 I.D. Hel. Spr.	3
19	2-00-04551	Terminal, .156 Bullet	2
20	2-00-04363	Screw, M8-1.250 x 20 mm	Ref.
21	2-00-00409	Flat Washer, 5/16	Ref.
22	2-00-04602	Clamp, Adjustable	3
23	2-00-03061	Screw, #10-24 x .500 RHM	Ref.
24	2-00-04345	Tye-Rap	30
25	7-82-00008	Switch, Back-Up	Ref.
26	0895-092	Wire Harness Assembly (D1)	1
27	8-69-00005	Sender, Oil Pressure	Ref.
28	8-82-00046	Switch, Oil Pressure	Ref.
29	8-69-00014	Sender, Water Temperature	Ref.
30	2-00-00056	Screw, #10-24 x .750 THM	Ref.
31	2-00-00233	Screw, 3/8-16 x 1.000 HHC	Ref.
32	2-00-03829	Lock Washer, 3/8 Int./Ext.	Ref.
33	2-00-02360	Nut, 3/8-16 Hex	Ref.
34	2-00-04203	Boot, (Black)	3
35	8-08-00604	Bracket	Ref.
36	2-00-00519	Lock Washer, #10	2
37	2-00-00460	Flat Washer, #10	Ref.
38	0875-087	Diode Assembly (D2)	1
39	8-90-07328	Cable, Ground	1
40	2-00-00498	Washer, Lock Ext.	1
41	2-00-00605	Nut, 10-24 Hex	2
42	2-00-01974	Washer, #10 Sealing	1
43	2-00-01128	Butt Splice	1
44	2-00-00594	Nut, 1/4-20 Hex	3
45	2-00-00605	Nut, #10-24 Hex	2
46	2-00-01974	Washer, #10 Sealing	1
47	0895-112	Harness, Engine	1
48	2-00-00530	Lock Washer, .31	Ref.

C-1303/9609

# PERKINS WIRING (MANUAL DUMP) - EXPLODED VIEW



## DECALS - PARTS LIST

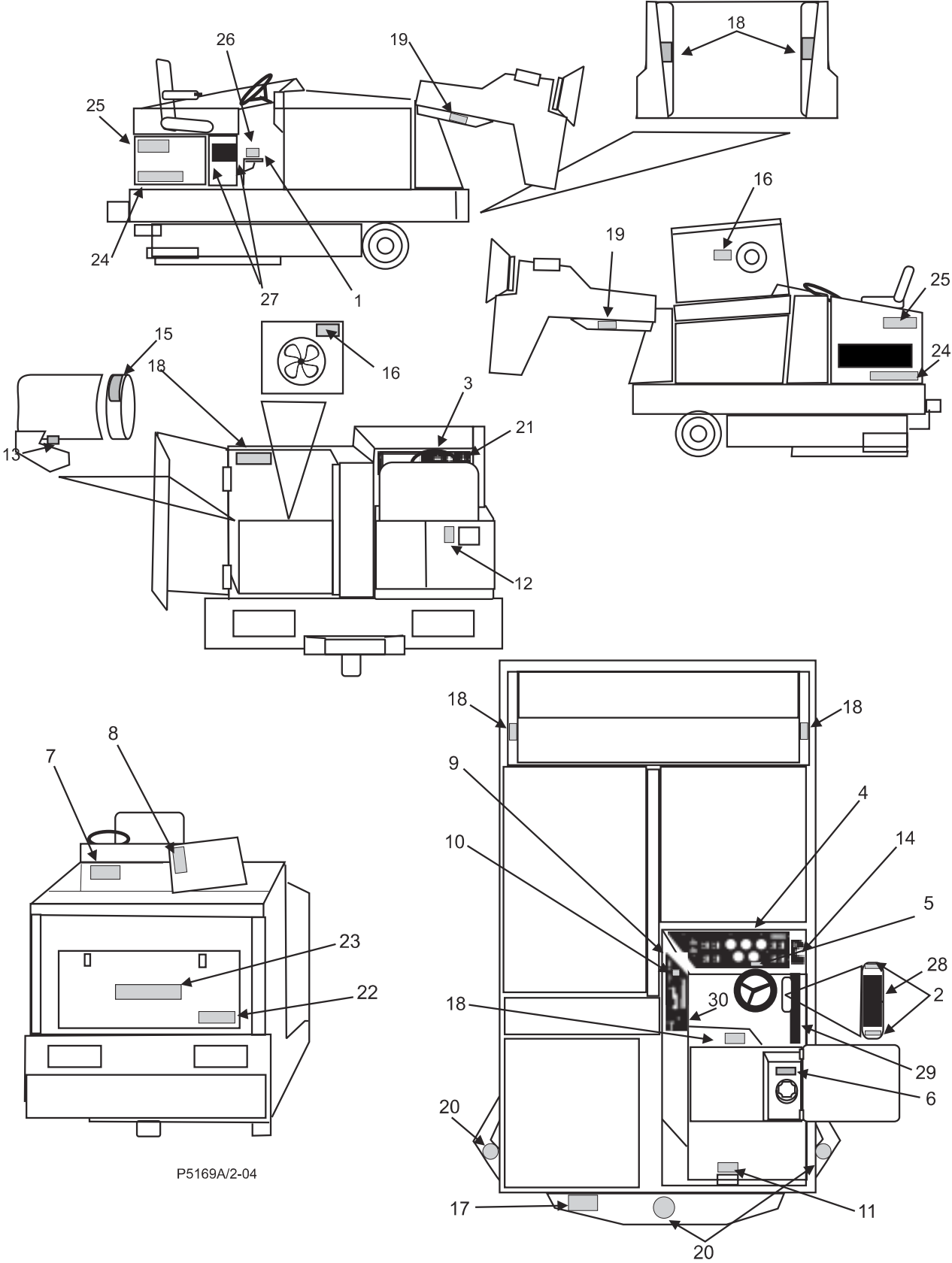
<u>KEY NO.</u>	<u>PART NUMBER</u>	<u>DESCRIPTION</u>	<u>QTY</u>
1*	REF	Patent/Patents Pending	1
2	8-18-00490	Bi-directional Pedal	1
3	8-18-00517	Front Instrument Panel	1
4	8-18-00516	Top Instrument Panel	1
5*	REF	Turn Off-Lock Wheel	1
6*	REF	ATF/Dextron Fluid Only	1
7*	REF	Fill Marker	1
8*	REF	No Gasoline or Combustibles	1
9*	REF	Do Not Use with Flammables	1
10	8-18-00521	Left Side Control Panel	1
11*	REF	Fire Hazard-Fuel Could Explode	1
12*	REF	Gasoline Only (Gas models)	1
	REF	Diesel Fuel Only (Diesel models)	1
13*	REF	Surface Hot-Stay Clear	1
14	8-18-00500	Side Broom-Pull to Raise	1
15*	REF	Moving Belts-Stay Clear	1
16*	REF	Moving Fan Blade-Stay Clear	2
17*	REF	Exhaust Warning	1
18*	REF	Pinch Point-Stay Clear	6
19*	REF	Cover/Hopper Could Close	2
20*	REF	No Step	3
21~	8-18-00487	Blank Square-Option Covers	1
22	8-18-00527	Alto (medium)	1
23	8-18-00526	American-Lincoln (large)	1
24	8-18-00525	American-Lincoln (medium)	2
25	8-18-00541	7760	1
26	REF	Serial Plate	1
27	2-00-04115	Rivet	2
28	8-50-05022	Pad (foot pedal)	3
29	7-50-05136	Pad (edge)	1

\*Contained in Warning Decal Kit 0760-896

~Can be ordered separately, but is also included in 0760-896

P5169A/1003

**DECALS - EXPLODED VIEW**



P5169A/2-04

## NOTES

---

## TABLE OF CONTENTS - CHAPTER 3

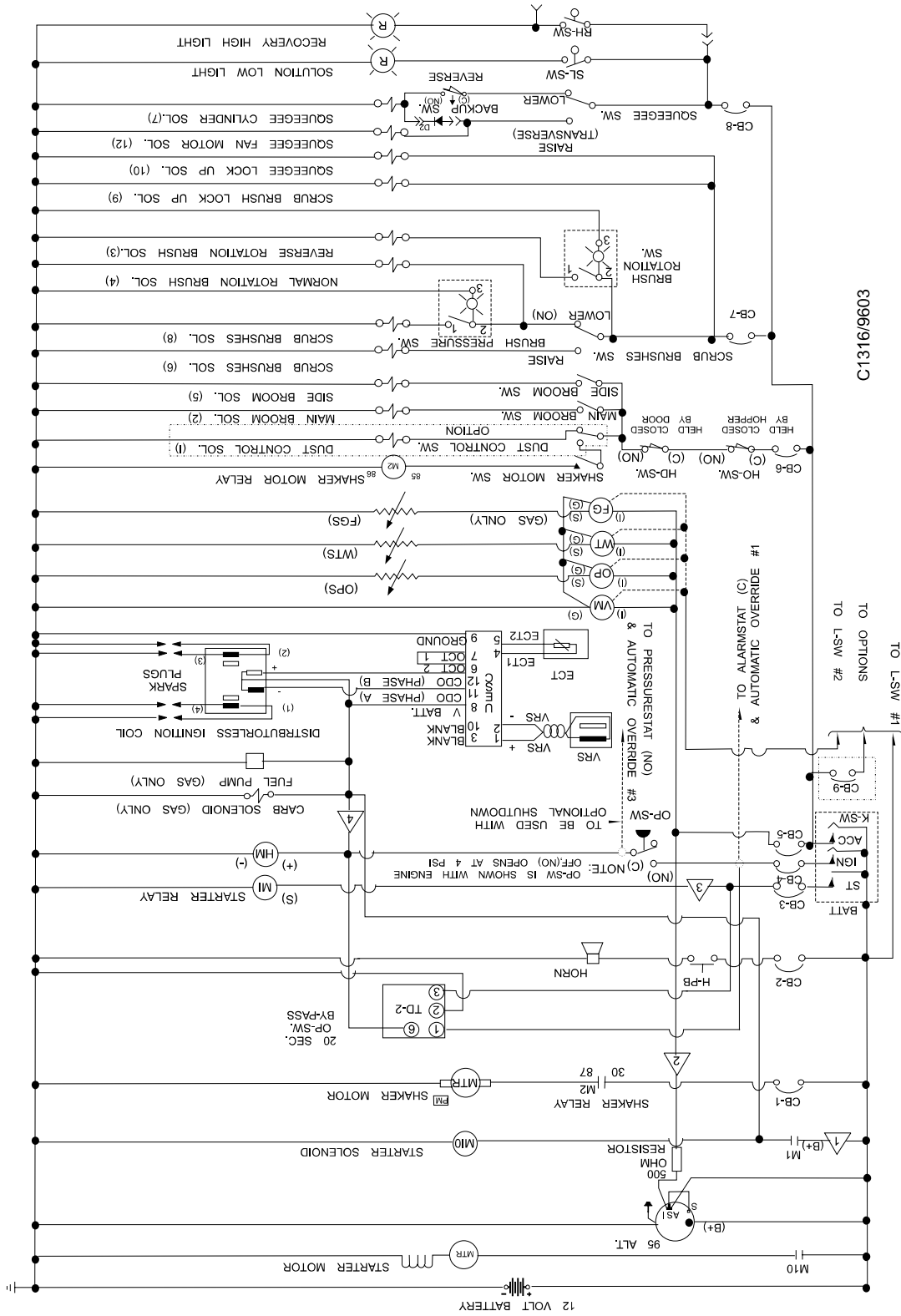
---

Notes .....	3-2
Electrical Schematic, Gas (Variable Dump) .....	3-3
Electrical Schematic, Diesel (Variable Dump) .....	3-4
Electrical Schematic, Gas (Manual Dump) .....	3-5
Electrical Schematic, Diesel (Manual Dump) .....	3-6
Connection Diagram, Gas/LP (Variable Dump) .....	3-7
Connection Diagram, Diesel (Variable Dump) .....	3-8
Connection Diagram, Gas (Manual Dump) .....	3-9
Connection Diagram, Diesel (Manual Dump) .....	3-10
Overhead Guard Option .....	3-11
Brush Options .....	3-12
Side Broom Option - Manual Dump .....	3-14
Broom Options .....	3-16
Back-up Alarm .....	3-17
Lights, options .....	3-18
Turn Signal Option .....	3-20
Warning Lights (Standard) .....	3-22
Warning Lights with Overhead Guard .....	3-24
Fire Extinguisher Option .....	3-26
Flame Arresting Gas Cap Option .....	3-27
Safety Air Cleaner .....	3-28
Debris Basket Option .....	3-29
Detergent & Solution Tank, ESP Option .....	3-30
Recovery Tank & Detergent Pump, ESP Option .....	3-32
LP Tank System Option .....	3-34
LP Ford Engine .....	3-36
Ford Engine Shutdown Option .....	3-38
Perkins Engine Shutdown Option .....	3-40
Suspension Seat Option .....	3-42
Tire Options .....	3-43
Vacuum Wand Option .....	3-44
Wet Sweep Bypass .....	3-45
Instrument Panel, ESP Option .....	3-46
Wiring, ESP Option .....	3-48
Spare Parts Kit, Gas/LP(Variable Dump) .....	3-50
Spare Parts Kit, Diesel (Variable Dump) .....	3-51
Spare Parts Kit, Gas/LP (Manual Dump) .....	3-52
Spare Parts Kit, Diesel (Manual Dump) .....	3-53
Index .....	3-54
Warranty .....	3-59

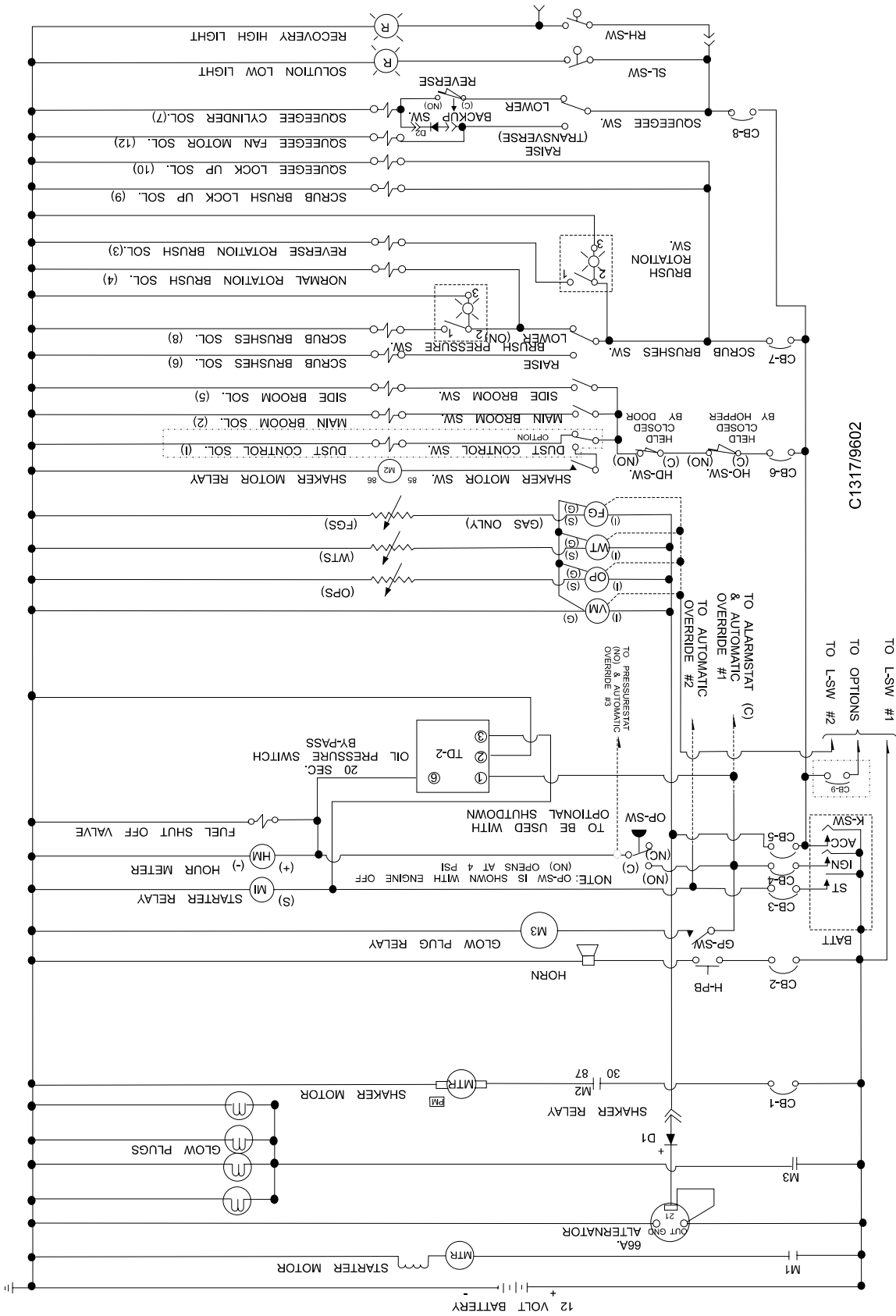




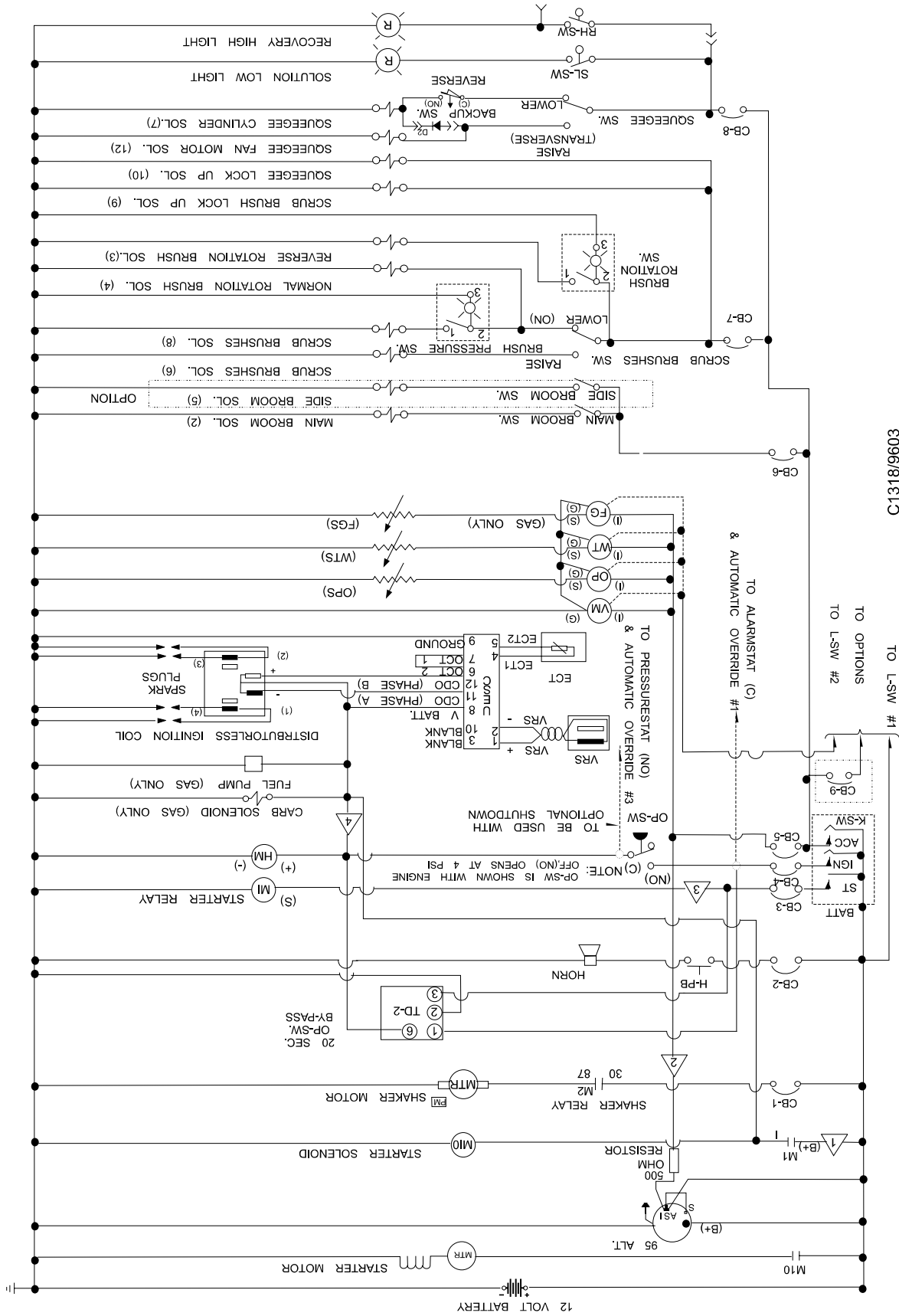
7760 SCHEMATIC DIAGRAM - GAS/LP (VARIABLE DUMP) MACHINE



7760 SCHEMATIC DIAGRAM - DIESEL (VARIABLE DUMP) MACHINE

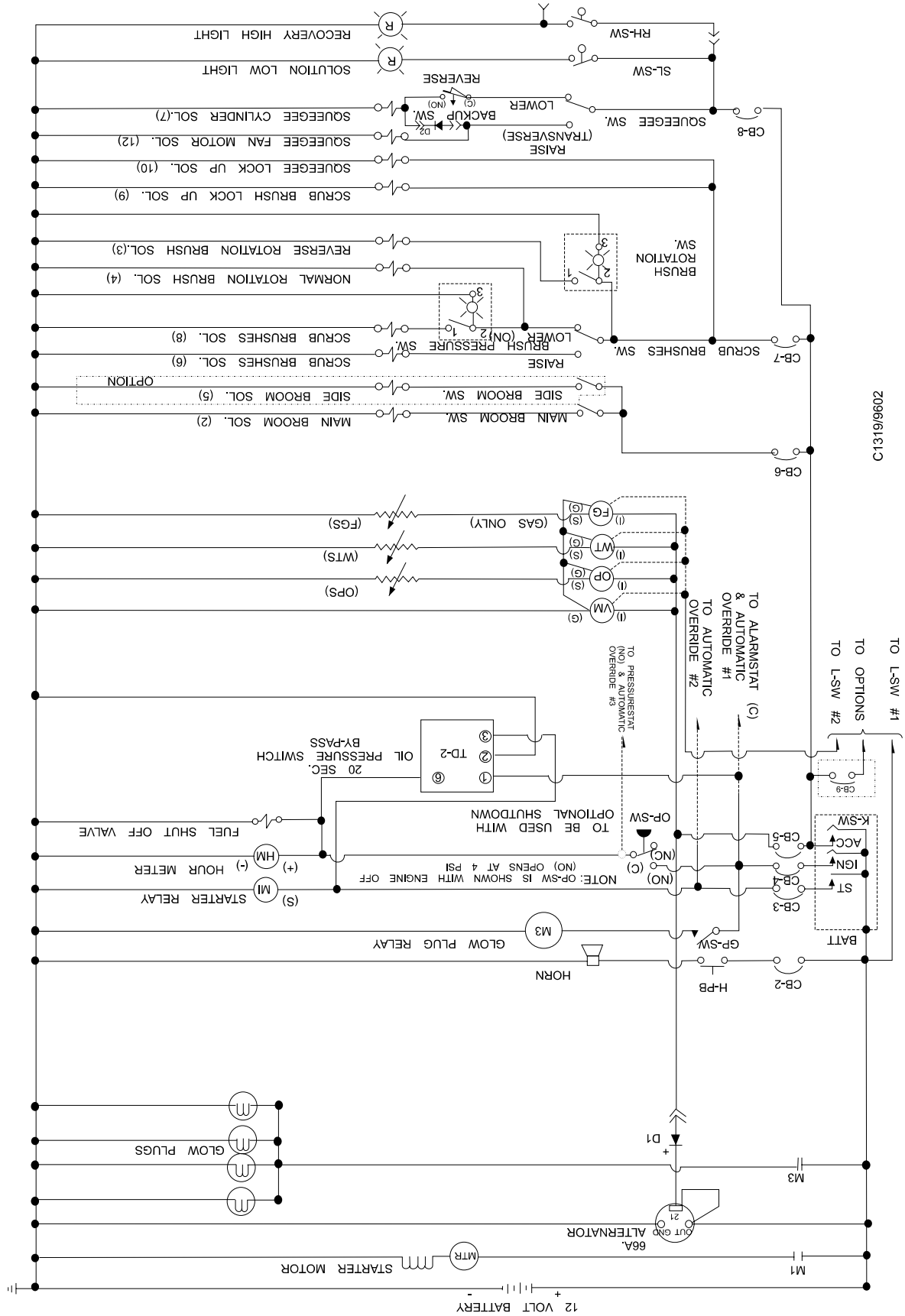


7760 SCHEMATIC DIAGRAM - GAS/LP (MANUAL DUMP) MACHINE



American-Lincoln Technology®  
7760 Owner's Manual

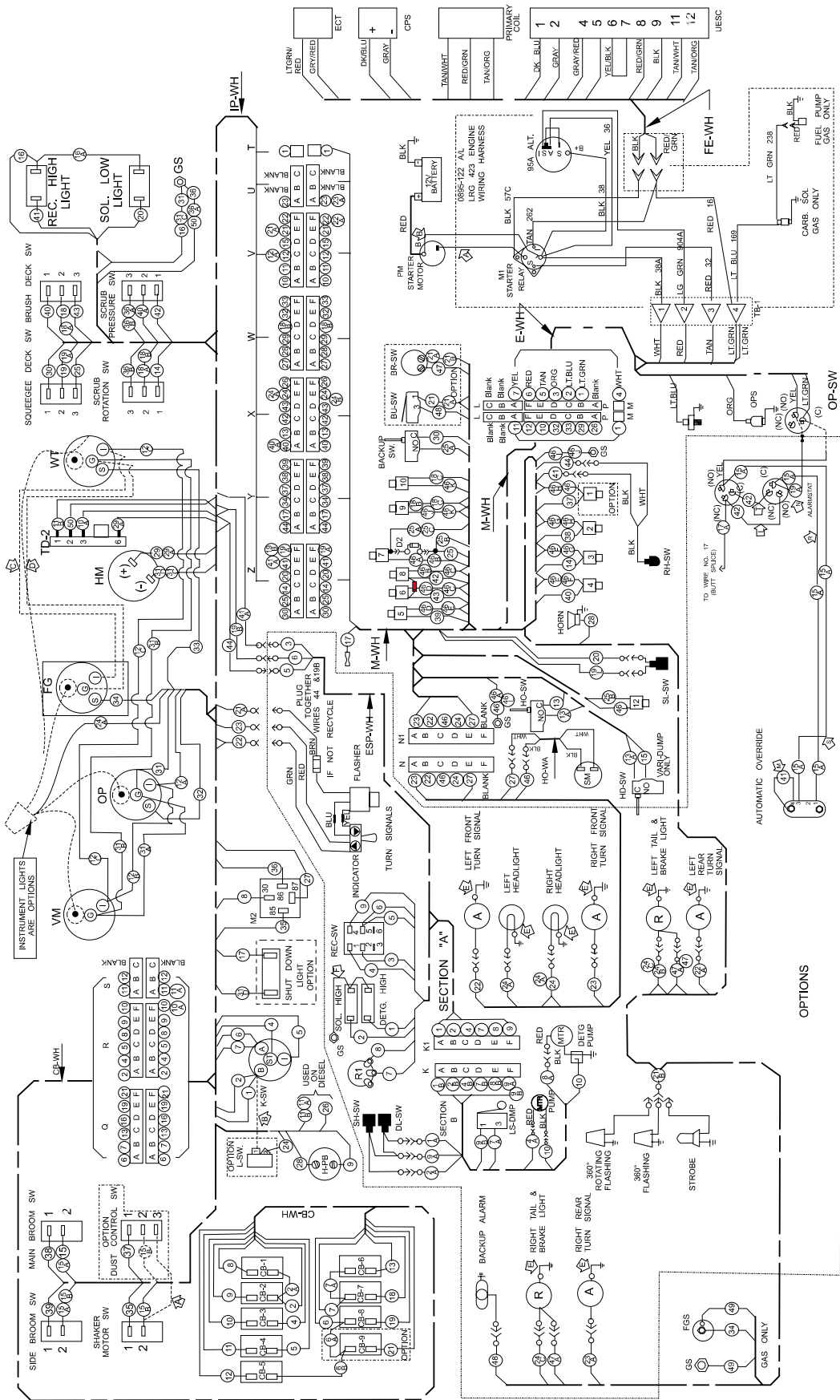
7760 CONNECTION DIAGRAM - DIESEL (MANUAL DUMP) MACHINE



C1319/9602

American-Lincoln Technology®  
7760 Owner's Manual

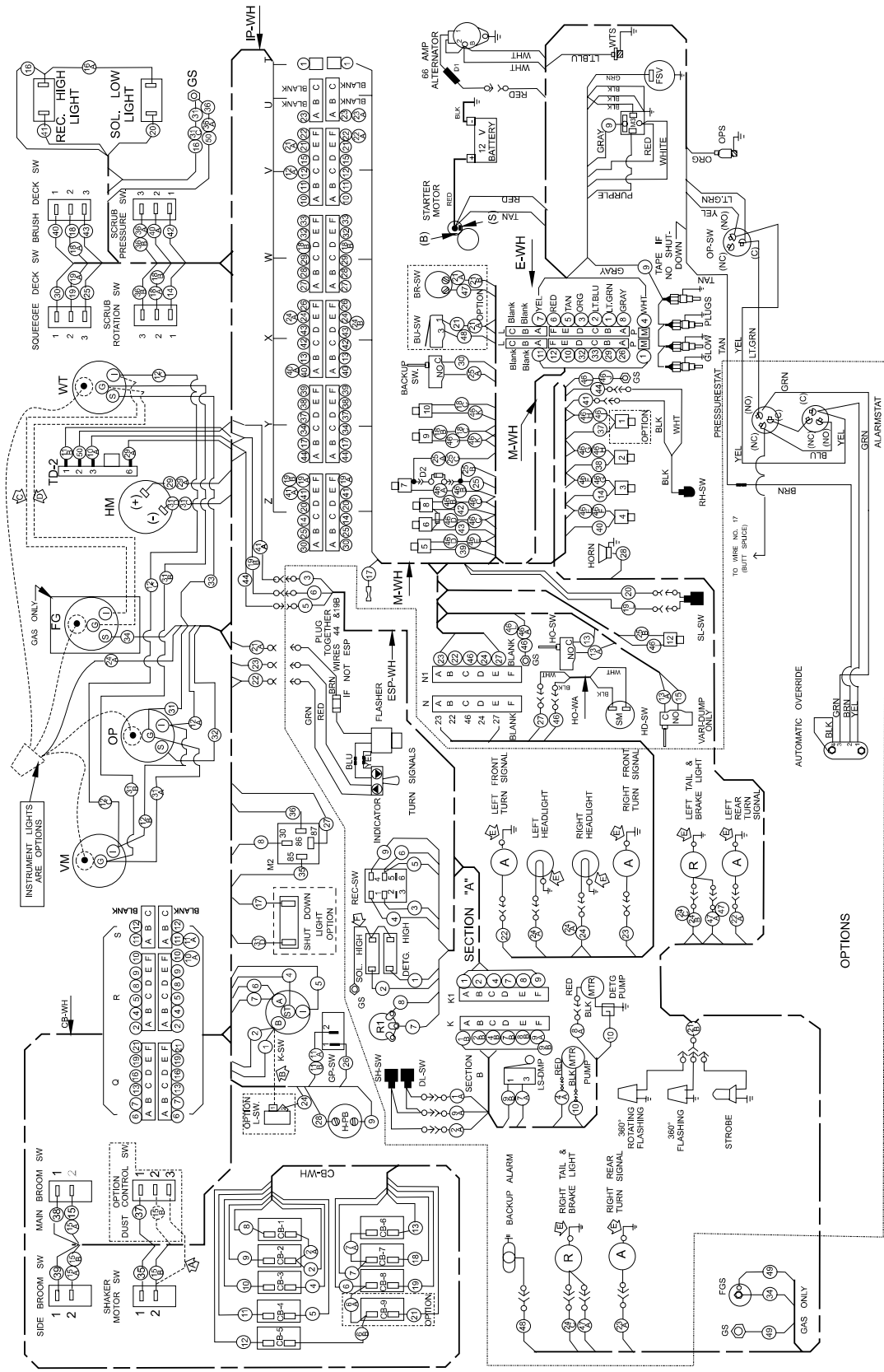
7760 CONNECTION DIAGRAM - GAS/LP (VARIABLE DUMP) MACHINE



C13209503

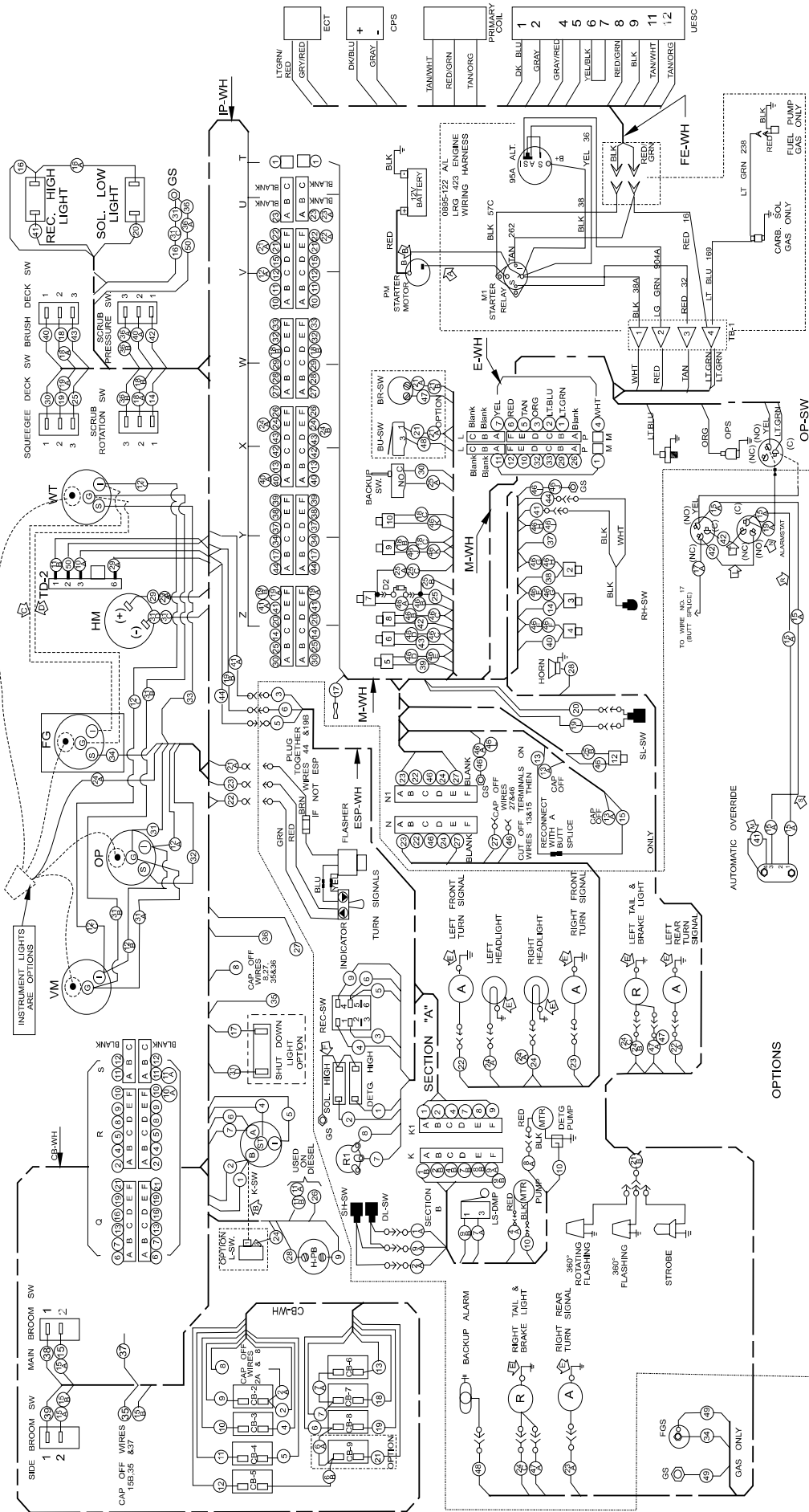
American-Lincoln Technology®  
7760 Owner's Manual

7760 CONNECTION DIAGRAM - DIESEL (VARIABLE DUMP) MACHINE



C1321/9609

7760 CONNECTION DIAGRAM - GAS/LP (MANUAL DUMP) MACHINE

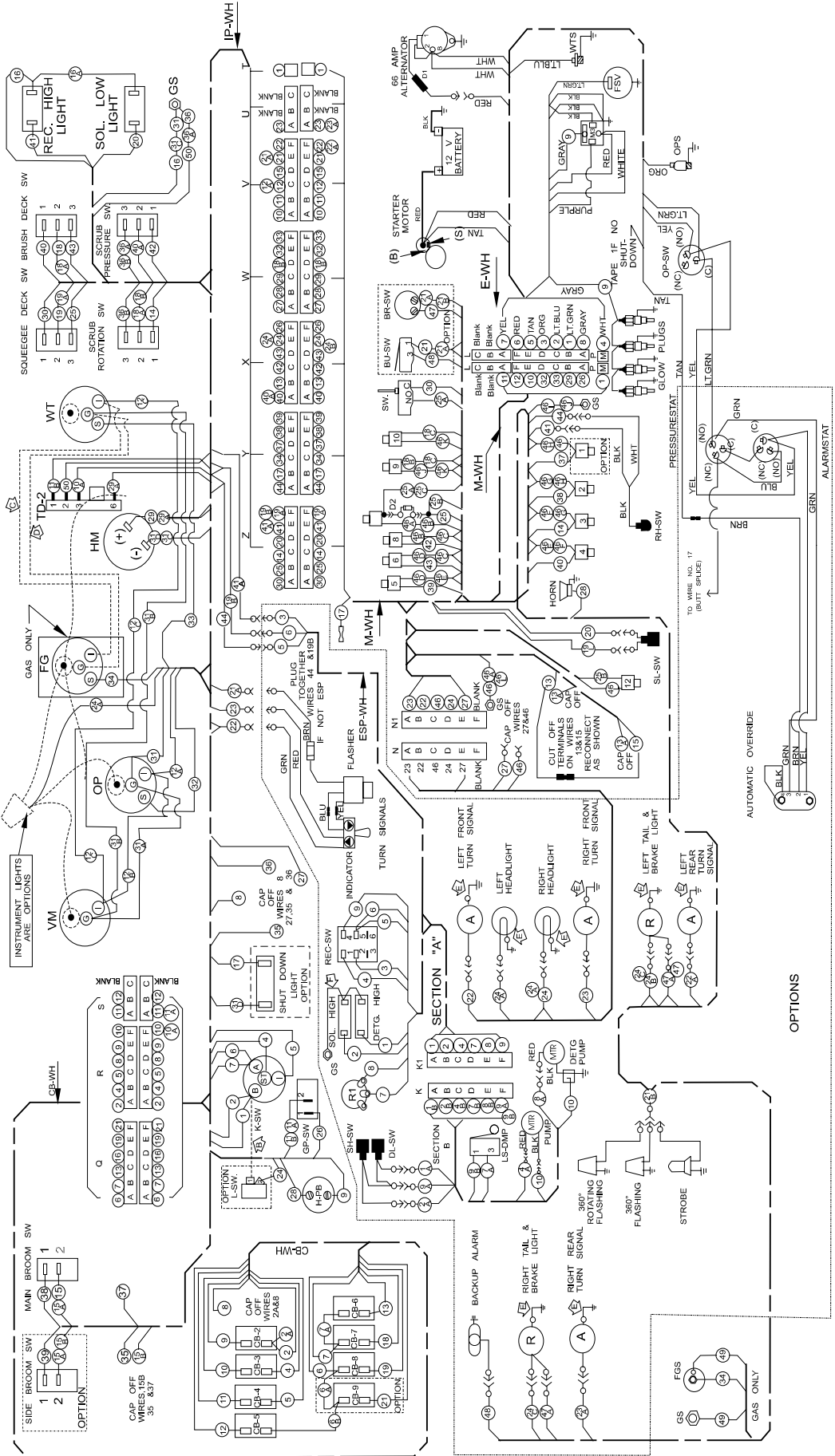


C1322/9609

American-Lincoln Technology®  
7760 Owner's Manual

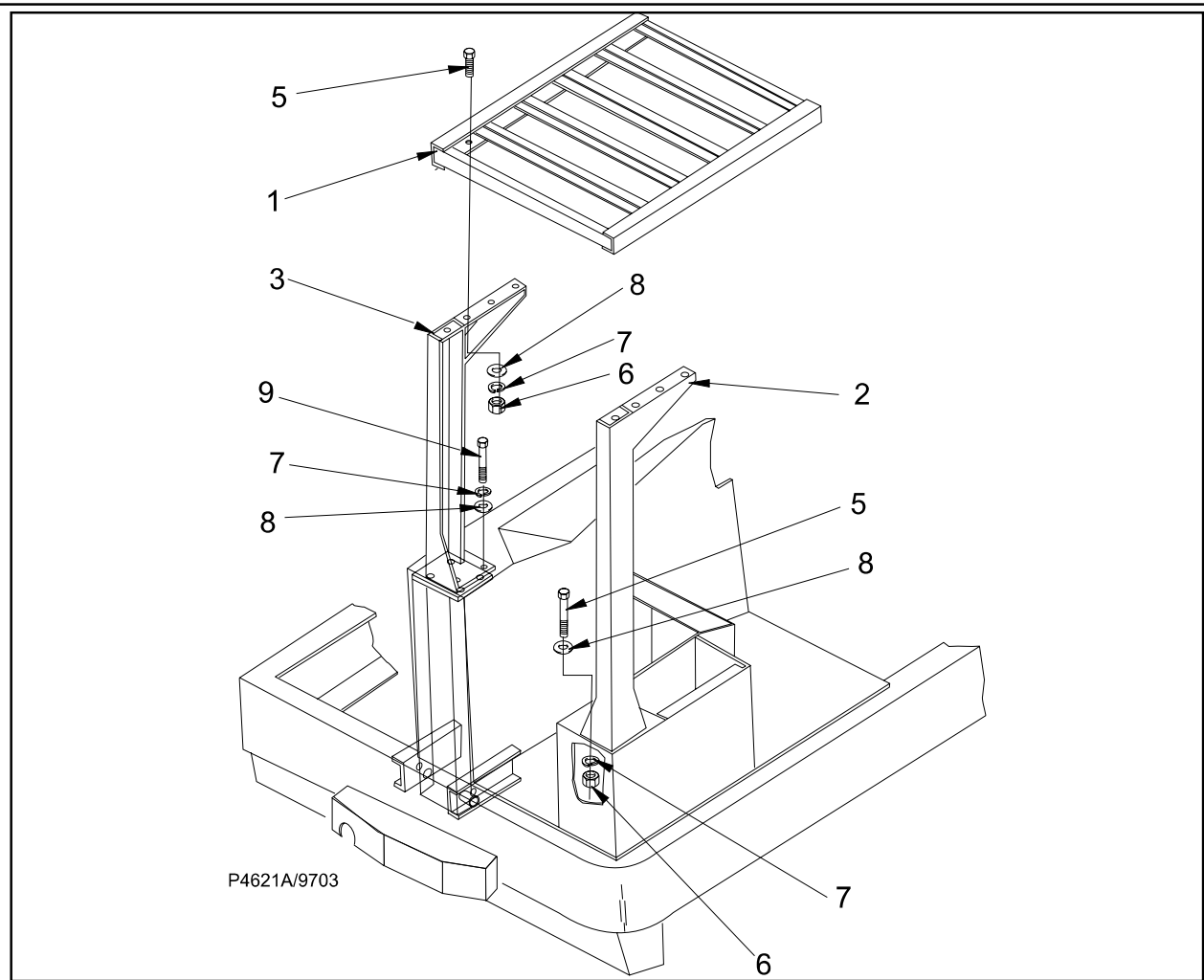


7760 CONNECTION DIAGRAM - DIESEL (MANUAL DUMP) MACHINE



C-1323/9609

## OVERHEAD GUARD OPTION



### OPTION NO. 0780-379

<u>KEY NO.</u>	<u>PART NUMBER</u>	<u>DESCRIPTION</u>	<u>QTY</u>
1	7-30-05086	Guard ( Weldment )	1
2	7-81-00120	Support ( Weldment )	1
3	7-81-00121	Support-( Weldment )	1
4	7-81-00188	Support-( Weldment )	Ref.
5	2-00-00239	Screw, 1/2 - 13 x 1.000 HHC	12
6	2-00-02352	Nut, Hex 1/2 - 13 x .875 x .484	12
7	2-00-02312	Lock Washer, Helical Spring 1/2 Med	16
8	2-00-01444	Flat Washer, .750 x .520 x .062	16
9	2-00-00240	Screw, 1/2 - 13 x 1.250 HHC	4

P-4621/9703

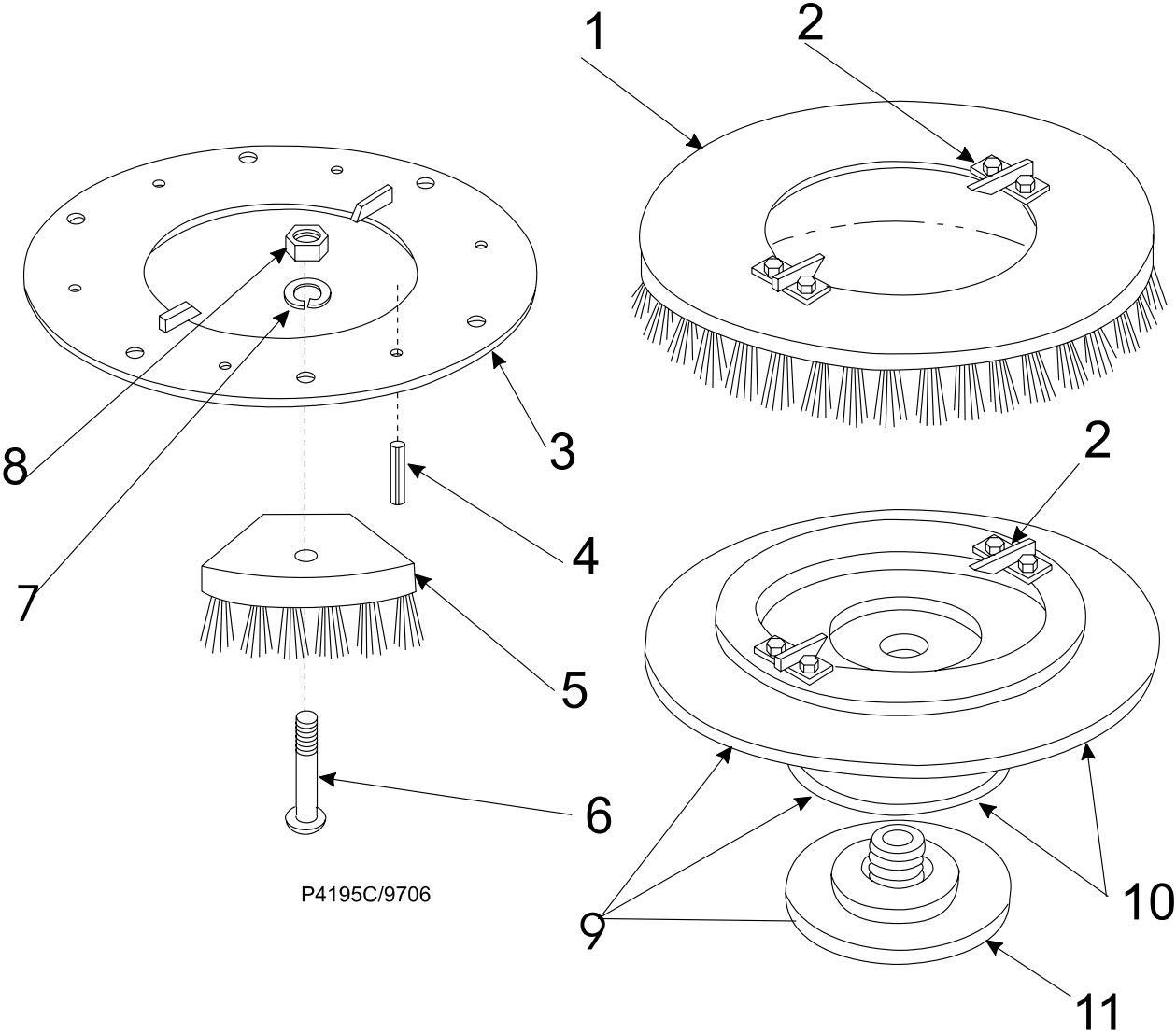
## BRUSH OPTIONS - PARTS LIST

---

<u>KEY NO.</u>	<u>PART NUMBER</u>	<u>DESCRIPTION</u>	<u>QTY</u>
Disc Brushes:			
1	7-08-03170-1	Nylon (Black)	3
1	7-08-03172-1	Polypropylene/Amerfil (.040)	3
1	7-08-03173-1	Straight Wire	3
1	7-08-03205-1	Super Grit (60/45/25) Brown	3
1	7-08-03262-1	Soft Nylon	3
Sectional Brushes:			
3	0760-283	Brush Plate Attachments	3
4	2-00-04221	Pin, Spring	6
Plastic Back:			
5	7-08-03207-1	Super Grit	18
5	7-08-03193-1	Straight Wire	18
5	7-08-03194-1	Nylon (Black)	18
5	7-08-03248-1	Soft Nylon	18
5	7-08-03196-1	Polypropylene/Amerfil (.040)	18
5	7-08-03197-1	Amergrit	18
6	2-00-02706	Screw, 1/4 - 20 x 1.000 HHM	6
7	2-00-00518	Washer, Helical Spring 1/4 Med	6
8	2-00-00594	Nut, Hex 1/4 - 20 x .437 x .218	6
Pad Driver Assembly:			
2	7-44-05026	Lug	2
9	0772-065	Pad Driver (Right Hand Thread - Black)	2
9	0772-066	Pad Driver (Left Hand Thread - Red)	1
10	7-32-03015	Center-Lok II for Clockwise Rotation	2
10	7-32-03013	Center-Lok II for Counterclockwise Rotation	1
11	7-32-03016	Holder for Clockwise Rotation	2
11	7-32-03014	Holder for Counterclockwise Rotation	1

P4195c/9609

BRUSH OPTIONS - EXPLODED VIEW

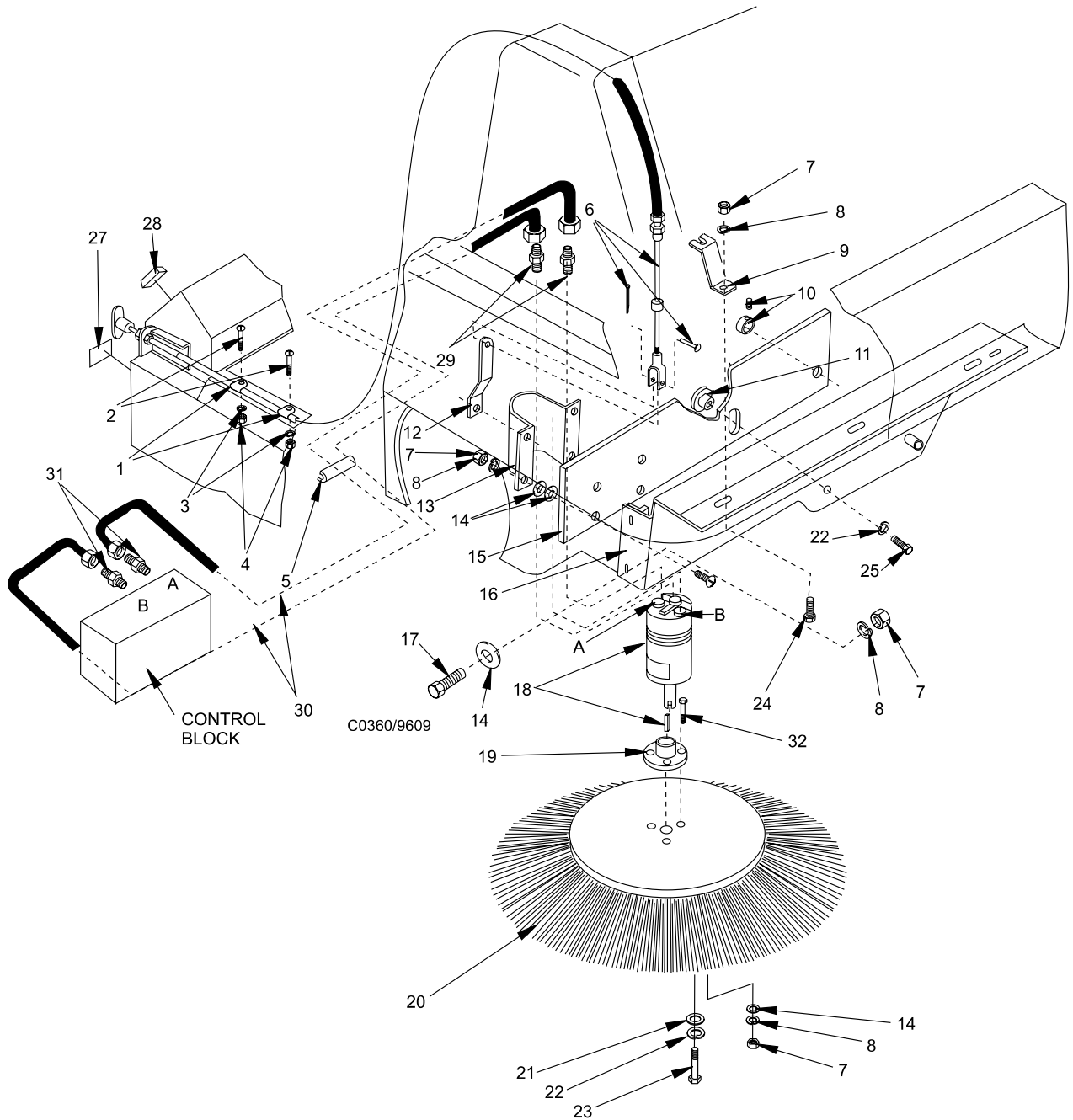


## SIDE BROOM OPTION (MANUAL DUMP) - PARTS LIST

<u>KEY NO.</u>	<u>PART NUMBER</u>	<u>DESCRIPTION</u>	<u>QTY</u>
1	2-00-04210	Clamp	2
2	2-00-00049	Screw, #10-24 x .500	2
3	2-00-00512	Lock Washer, #10	2
4	2-00-00605	Nut, Hex #10-24	2
5	8-21-04030	Edging	1
6	7-10-00029	Cable	1
7	2-00-00585	Nut, Hex 5/16-18	11
8	2-00-00530	Lock Washer, Helical Spring 5/16	11
9	7-08-00705	Cable Bracket	1
10	8-15-01003	Collar, 3/4 ID w/setscrew	1
11	7-09-01134	Bushing, 3/8-16 Thd.	1
12	7-79-00060	Lift Cable Strap	1
13	7-08-00841	Bracket Side Broom	1
14	2-00-00409	Flat Washer, 5/16	5
15	7-03-04154	Side Broom Arm	1
16	7-08-00859	Side Broom Bracket	1
17	2-00-03029	Screw, 5/16-18 x 1.00 HSFHC	3
18	0885-061	Hydraulic Broom Drive Motor, w/Key	1
19	7-25-06038	Adapter Flange	1
20	8-08-03107	Side Broom	1
21	2-00-00447	Flat Washer 1.25 x .25	1
22	2-00-00518	Lock Washer, 1/4	4
23	2-00-03537	Screw, 1/4-28 x 2.000 HHC	1
24	2-00-03564	Screw, 5/16-18 x 1.000	5
25	2-00-02310	Lock Washer, Helical Spring 3/8	1
26	2-00-00232	Screw, 3/8-16 x .75- HHC	1
27	7-18-00215	Side Broom Label	1
28	8-82-00044	Switch	1
29	2-00-04918	Fitting	2
30	8-33-02216	Hose, ORS-4-Str. Ends	2
31	2-00-04895	Fitting	2
32	2-00-00218	Screw, 5/16-18 x 2.00 HHC	3
33	2-00-05350	Screw, 1/4-28 x .625 HHC	3

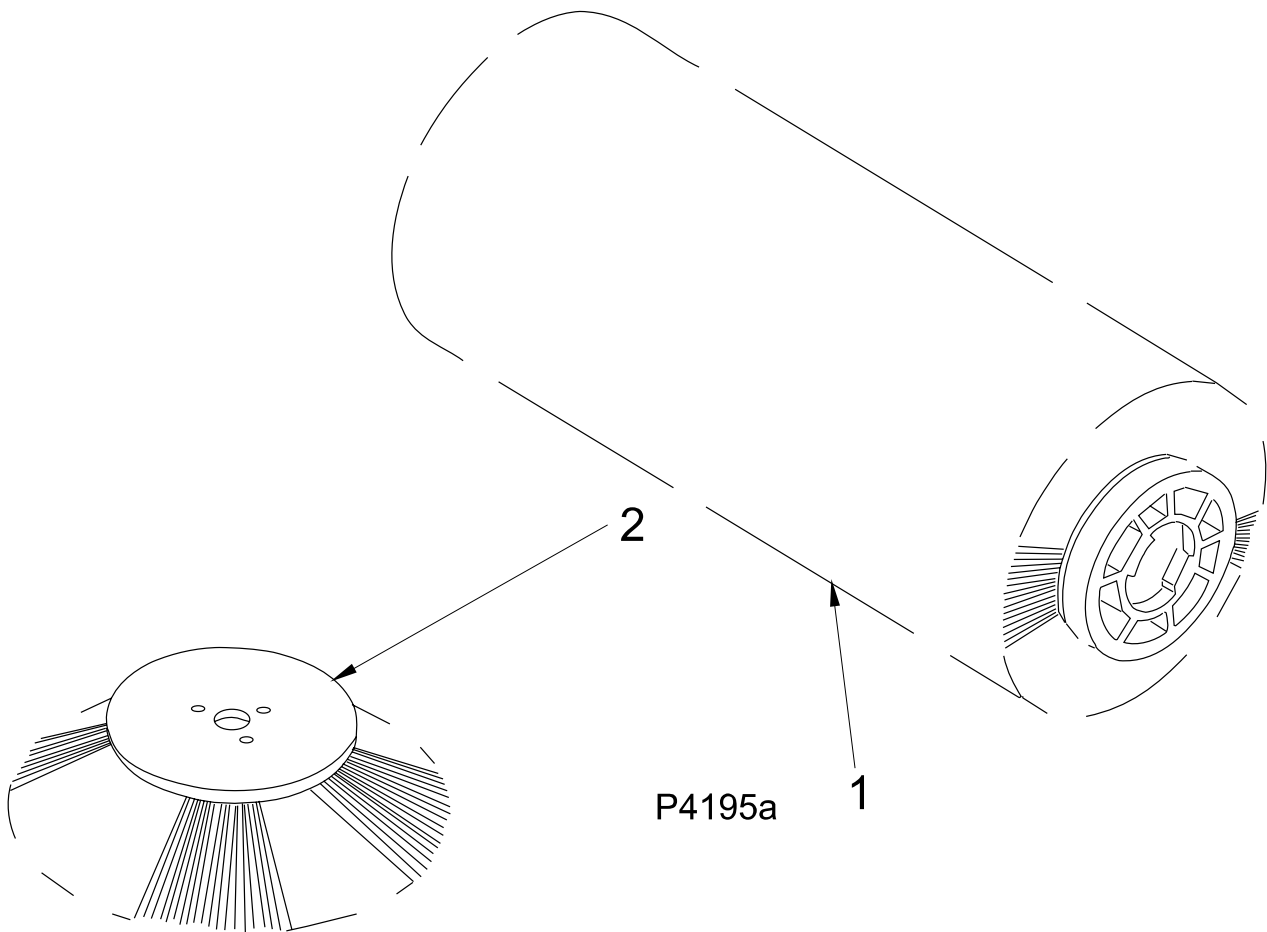
C-0360/9609

# SIDE BROOM OPTION (MANUAL DUMP) - EXPLODED VIEW



## BROOM OPTIONS

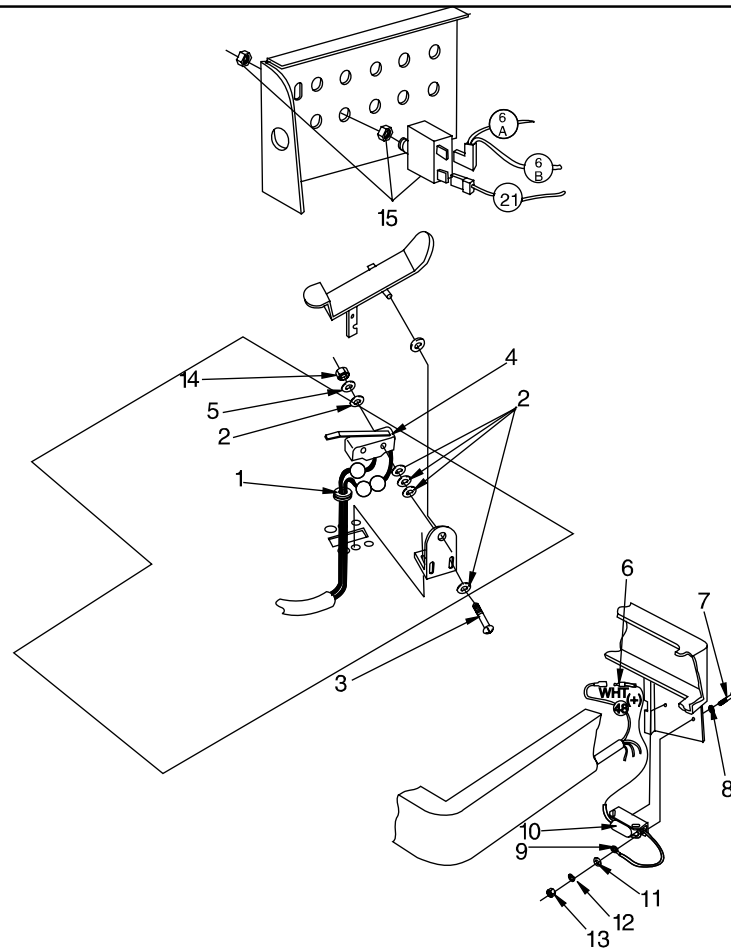
---



KEY NO.	PART NUMBER	DESCRIPTION	QTY
1	8-08-03180	Proex and Wire	1
1	8-08-03190	Proex	1
1	8-08-03191	Natural Fiber and Wire	1
1	8-08-03193	Nylon	1
1	8-08-03200	Poypro Prolene	1
1	8-08-03196	Nylon, High Density	1
1	8-08-03198	Fiber and Wire, High Density	1
2	8-08-03107	Poly Prolene	1
2	8-08-03177	Nylon	1

P-4195a/9609

## BACK-UP ALARM



### OPTION NO. 0780-377

KEY NO.	PART NUMBER	DESCRIPTION	QTY
1	2-00-00491	Grommet	1
2	2-00-00455	Flat Washer, .375 x .156 x .062	10
3	2-00-05119	Screw, #6-32 x 1.50 RHMS	2
4	7-82-00008	Switch	1
5	2-00-01499	Lock Washer, #6 -32 Helical Spring	1
6	2-00-04578	Male Bullet Plug	1
7	2-00-00221	Screw, 1/4 - 20 x .750 HHC	2
8	2-00-00501	Lock Washer, 1/4 Int.	1
9	2-00-00828	Terminal	1
10	8-32-09009	Backup Alarm	1
11	2-00-00409	Flat Washer, .687 x .343 x .062	2
12	2-00-00518	Lock Washer, Helical Spring 1/4 Int.	2
13	2-00-00594	Nut, Hex 1/4 - 20	2
14	2-00-00624	Nut, #6 - 32 Hex	2
15	8-64-00008	Circuit Breaker 15 AMP	1
16	2-00-00507	Star Washer 1/4 INT.	1

P-4899/9609

American-Lincoln Technology  
7760

3-17



## LIGHTS OPTION - PARTS LIST

---

HEADLIGHTS/TAILLIGHTS/INSTRUMENT LIGHTS: 0880-351

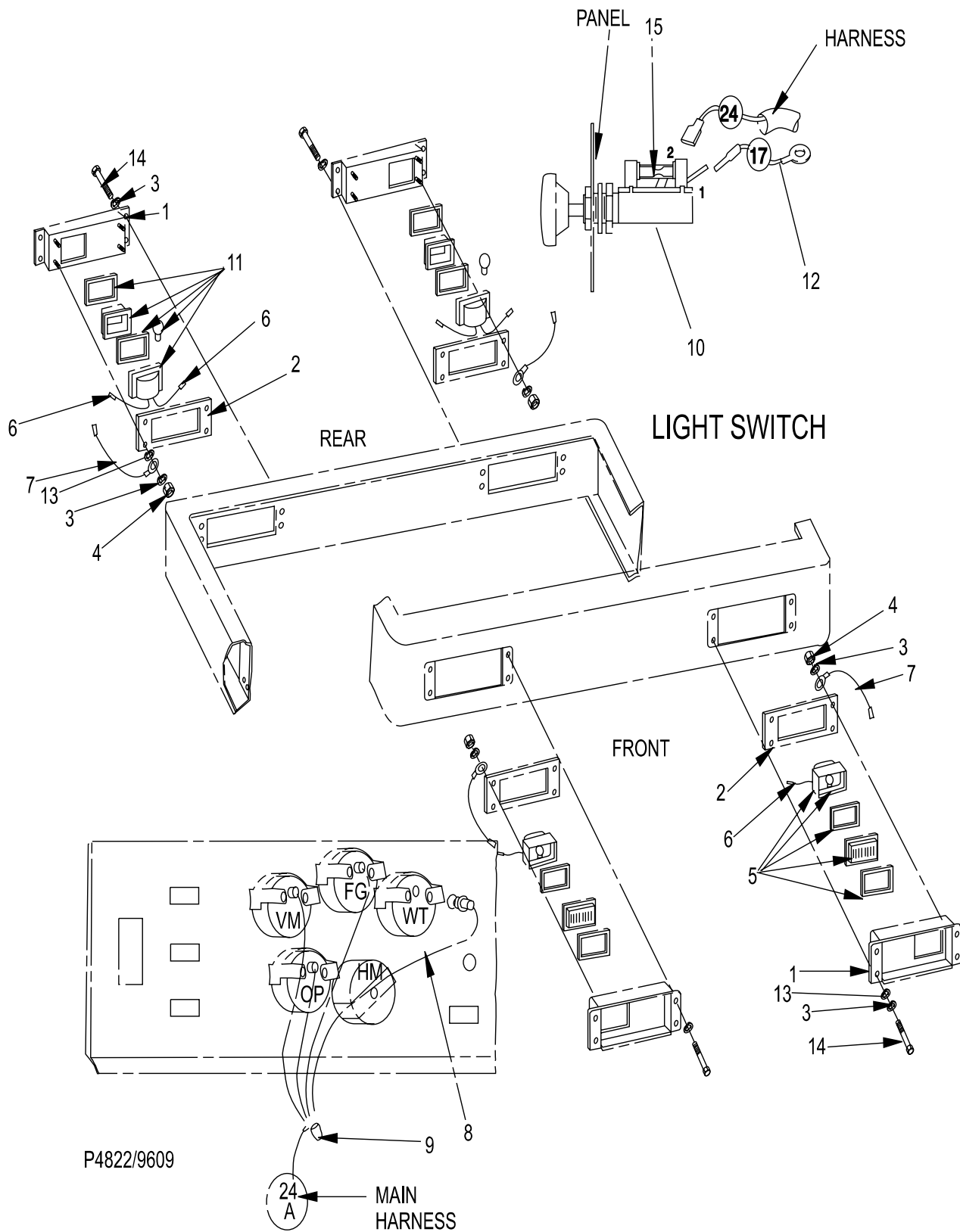
HEADLIGHTS/TAILLIGHTS/BRAKE LIGHTS/INSTRUMENT LIGHTS: 0880-354

<u>KEY NO.</u>	<u>PART NUMBER</u>	<u>DESCRIPTION</u>	<u>QTY</u>
1	8-08-00871	Light Bracket with Knockouts	4
2	8-08-00872	Backing Plate	4
3	2-00-00501	Lock Washer, 1/4 Int.	32
4	2-00-00594	Nut, Hex 1/4 - 20 x .437 x .218	16
5	8-40-05028	Headlight	2
6	2-00-04578	Male Bullet Plug	4
7	8-90-07358	Ground Wire	4
8	8-40-05030	Instrument Light and Lead	4
9	2-00-04588	Wire Nut	1
10	8-82-00027	Light Switch, Push/Pull	1
11	8-40-05029	Taillight	2
12	7-90-07229	Wire	1
13	2-00-00409	Flat Washer, .687 x .343 x .062	2
14	2-00-04876	Screw, 1/4 - 20 x .500 BHS	16
15	8-28-05011	Fuse, FU-1 15 Amp	1

P-4822/9609

HEADLIGHTS/TAILLIGHTS/INSTRUMENT LIGHTS/  
BRAKE LIGHTS & TURN SIGNALS: 0880-355

# LIGHTS OPTION - EXPLODED VIEW



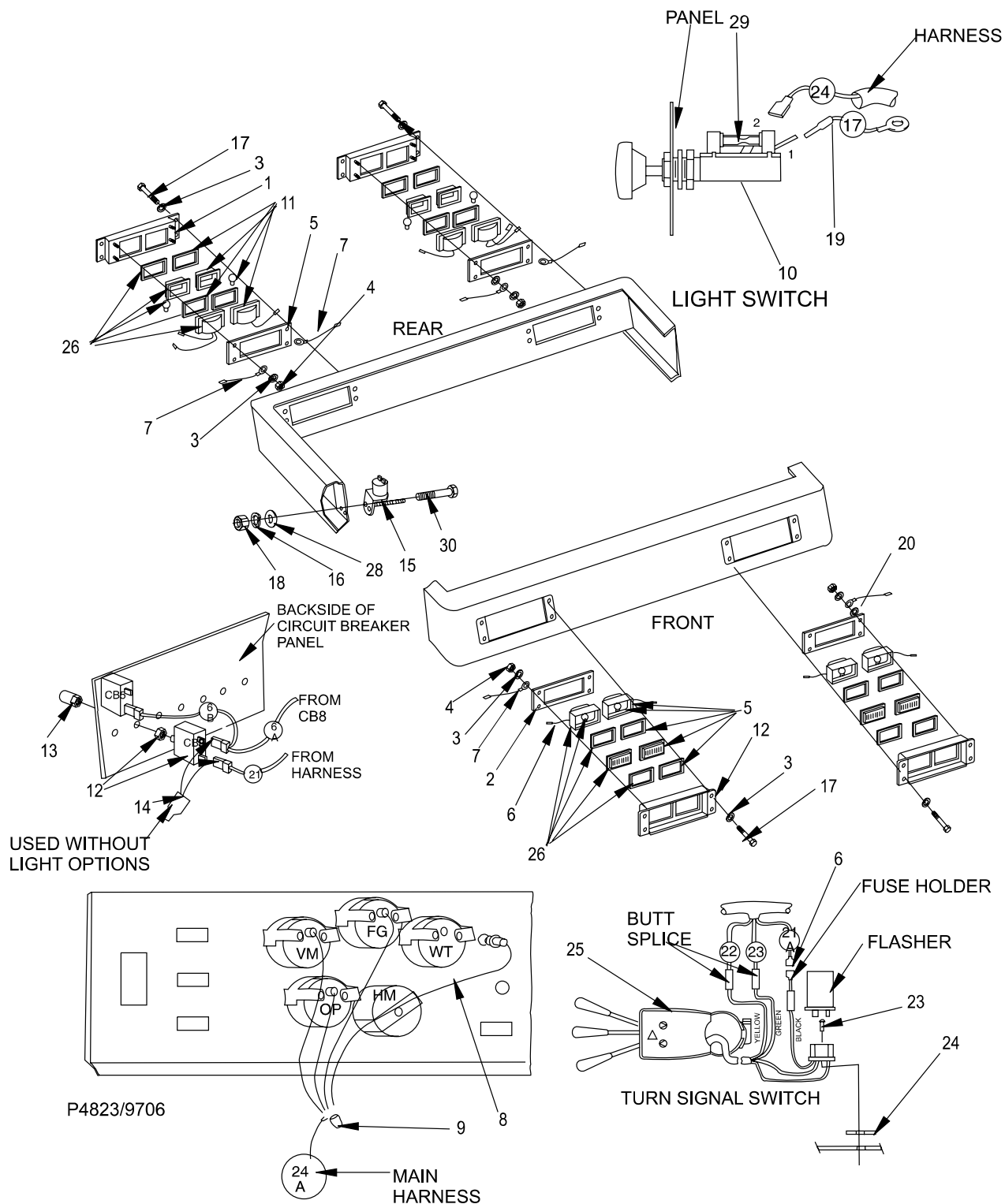
## TURN SIGNAL OPTION - PARTS LIST

---

<u>KEY NO.</u>	<u>PART NUMBER</u>	<u>DESCRIPTION</u>	<u>QTY</u>
1	8-08-00871	Knockout Light Bracket	4
2	8-08-00872	Backing Plate	4
3	2-00-00501	Lock Washer, 1/4 Int.	32
4	2-00-00594	Nut, Hex 1/4 - 20 x .437 x .218	16
5	8-40-05028	Head Light	2
6	2-00-04578	Bullet Plug (Male)	10
7	8-90-07358	Ground Wire	8
8	8-40-05030	Instrument Light and Lead	4
9	2-00-04588	Wire Nut	1
10	8-82-00027	Light Switch, Push/Pull	1
11	8-40-05029	Tail Light / Brake Light	2
12	8-64-00008	Circuit Breaker (15 Amp)	1
13	8-11-00044	Boot	1
14	8-11-00015	Terminal	1
15	8-82-00039	Switch, Brake	1
16	2-00-00519	Lock Washer, # 10 Hel.	2
17	2-00-04876	Screw, 1/4 - 20 x .500 BHS	16
18	2-00-00605	Nut, Hex MS 1/4 - 20 x .437 x .187	2
19	7-90-07229	Wire	1
20	2-00-00409	Flat Washer, .687 x .343 x .062	2
21			
22			
23	2-00-01994	Screw, # 8 - - 15 x .750 T/F RH	1
24	2-14-03197	Rubber Washer, 1.000 x .187 x .125	1
25	8-82-00025	Turn Signal Switch	1
26	8-40-05027	Turn Signal Light	4
27			
28	2-00-00455	Flat Washer # 10	2
29	8-28-05011	Fuse, FU-1 15 Amp	1
30	2-00-00220	Screw, 1/1 - 20 x .625 HHC	2

P 4823/9609

TURN SIGNAL OPTION - EXPLODED VIEW



## WARNING LIGHTS (STANDARD) - PARTS LIST

---

### ROTATING LIGHT

<u>KEY NO.</u>	<u>PART NUMBER</u>	<u>DESCRIPTION</u>	<u>QTY</u>
1	8-40-05033	Red	1
	8-40-05041	Yellow	1
2	2-00-04578	Connector	1
3	2-00-00491	Grommet	1
4	2-00-00512	Lock Washer, #10 Int	2

### FLASHING LIGHT

<u>KEY NO.</u>	<u>PART NUMBER</u>	<u>DESCRIPTION</u>	<u>QTY</u>
5	8-40-05033	Red	1
	8-40-05041	Yellow	1
6	2-00-04578	Connector	1
7	2-00-00491	Grommet	1
8	2-00-00512	Lock Washer, #10 Int	2
9	2-00-04897	Screw, #10 - 24 x 1.250 THM	2
10	2-00-00605	Nut, Hex MS #10 - 24 x .375 x .125	2

### STROBE LIGHT

<u>KEY NO.</u>	<u>PART NUMBER</u>	<u>DESCRIPTION</u>	<u>QTY</u>
11	8-40-05033	Red	1
	8-40-05041	Yellow	1
12	2-00-00838	Terminal	1
13	2-00-00491	Grommet	1
14	2-00-00512	Lock Washer, #10 Int	2
15	2-00-04578	Connector	1
16	2-00-04341	Grommet	1
17	2-00-03063	Screw, #10 - 24 x .750 THM	2
18	2-00-00605	Nut, Hex MS #10 - 24 x .375 x .125	2

### LIGHT SUPPORT

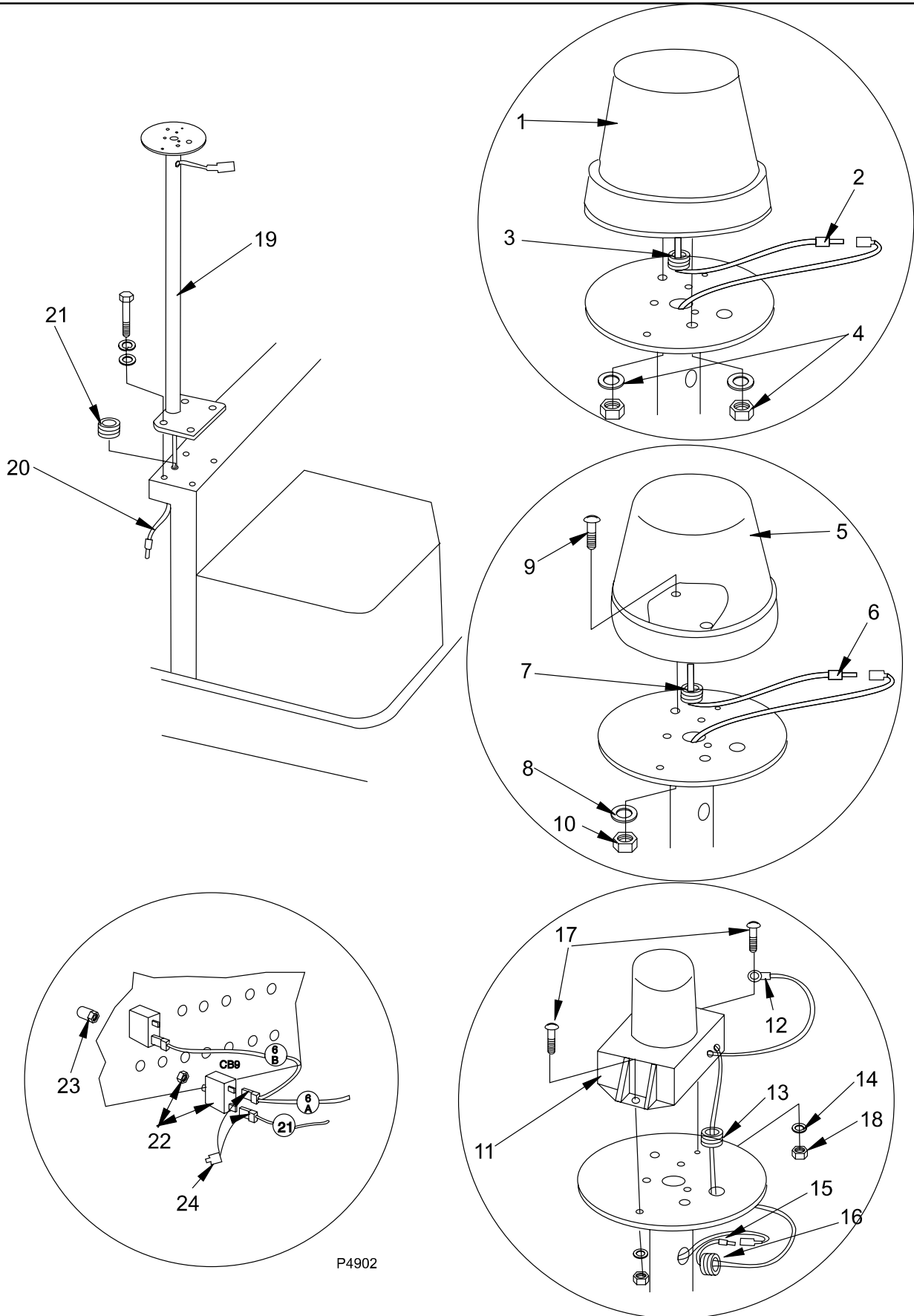
<u>KEY NO.</u>	<u>PART NUMBER</u>	<u>DESCRIPTION</u>	<u>QTY</u>
19	8-81-00145	Weldment	1
20	8-90-07362	Wire Assembly	1
21	2-00-00491	Grommet	1

### CIRCUIT BREAKER

<u>KEY NO.</u>	<u>PART NUMBER</u>	<u>DESCRIPTION</u>	<u>QTY</u>
22	8-64-00008	Circuit Breaker (15AMP)	1
23	8-11-00044	Boot	1
24	8-11-00015	Terminal	1

P-4902/9609

# WARNING LIGHTS (STANDARD) - EXPLODED VIEW



## WARNING LIGHT with OVERHEAD GUARD - PARTS LIST

---

### ROTATING LIGHT

<u>KEY NO.</u>	<u>PART NUMBER</u>	<u>DESCRIPTION</u>	<u>QTY</u>
1	8-40-05033	Red	1
	8-40-05041	Amber	1
2	2-00-04578	Connector	1
3	2-00-00491	Grommet	1
4	2-00-00512	Lock Washer, #10 Int	2

### FLASHING LIGHT

<u>KEY NO.</u>	<u>PART NUMBER</u>	<u>DESCRIPTION</u>	<u>QTY</u>
5	8-40-05033	Red	1
	8-40-05041	Amber	1
6	2-00-04578	Connector	1
7	2-00-00491	Grommet	1
8	2-00-00512	Lock Washer, #10 Int	2
9	2-00-04897	Screw, #10 - 24 x 1.250 THM	2
10	2-00-00605	Nut, Hex MS #10 - 24 x .375 x .125	2

### STROBE LIGHT

<u>KEY NO.</u>	<u>PART NUMBER</u>	<u>DESCRIPTION</u>	<u>QTY</u>
11	8-40-05033	Red	1
	8-40-05041	Amber	1
12	2-00-00838	Terminal	1
13	2-00-00491	Grommet	1
14	2-00-00512	Lock Washer, #10 Int	2
15	2-00-04578	Connector	1
16	2-00-00605	Nut, Hex MS #10 - 24 x .375 x .125	2
17	2-00-03063	Screw, #10 - 24 x .750 THM	2

### GUARD WIRE & SUPPORT ASSEMBLY

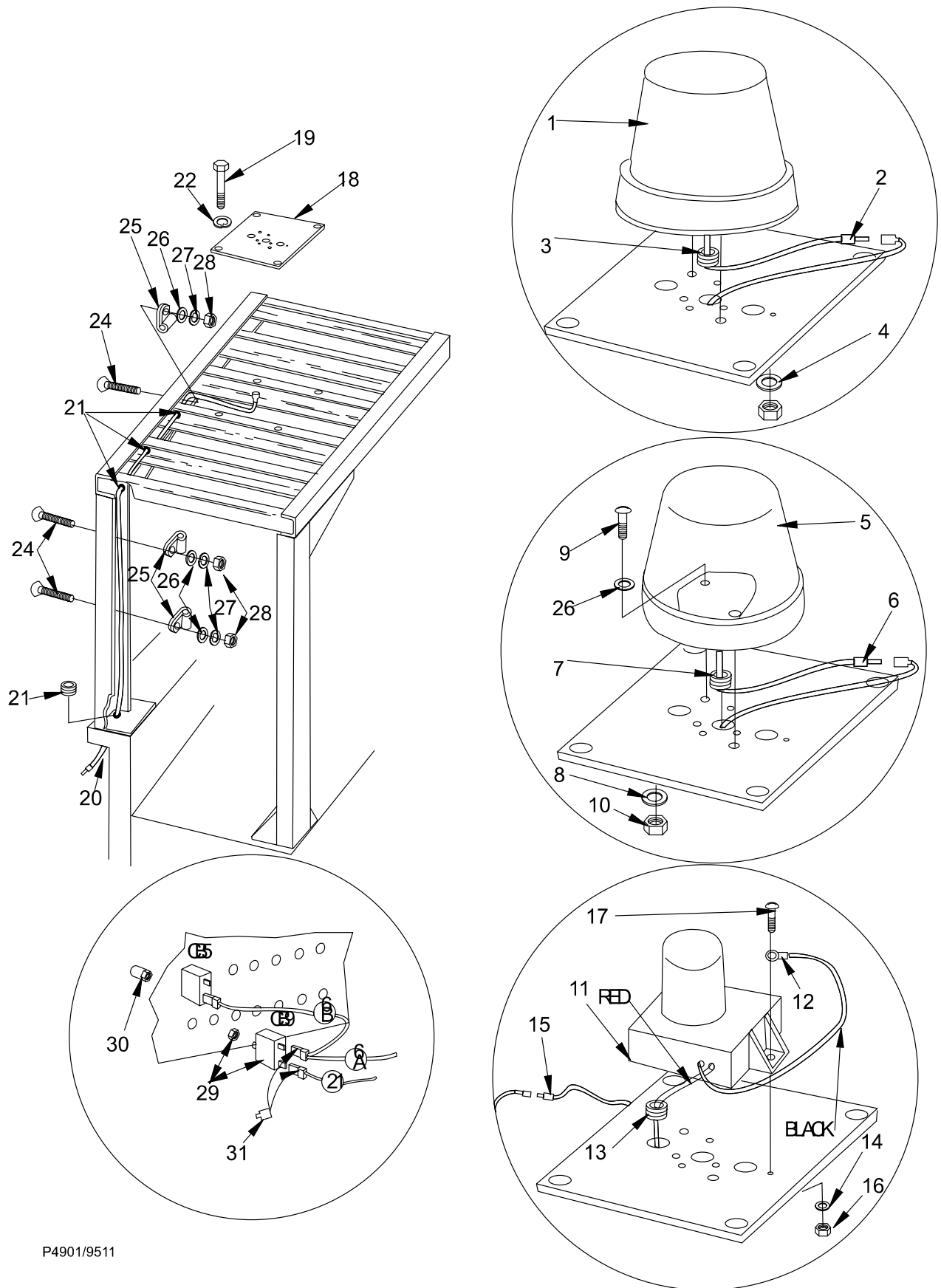
<u>KEY NO.</u>	<u>PART NUMBER</u>	<u>DESCRIPTION</u>	<u>QTY</u>
18	8-58-05228	Light Support	1
19	2-00-00221	Screw, 1/4 - 20 x .750 HHC	4
20	8-90-07363	Wire Assembly	1
21	2-00-00491	Grommet	1
22	2-00-00518	Lock Washer, Helical Spring 1/4 Med	4
23			
24	2-00-03063	Screw, #10 - 24 x .750 THM	3
25	2-00-04209	Clamp	3
26	2-00-00426	Flat Washer, .500 x .218 x .062	3
27	2-00-00512	Lock Washer, #10 Int	3
28	2-00-00605	Nut, Hex MS #10 - 24 x .375 x .125	3

### CIRCUIT BREAKER

<u>KEY NO.</u>	<u>PART NUMBER</u>	<u>DESCRIPTION</u>	<u>QTY</u>
29	8-64-00008	Circuit Breaker (15AMP)	1
30	8-11-00044	Boot	1
31	8-11-00015	Terminal	1

P-4901/9609

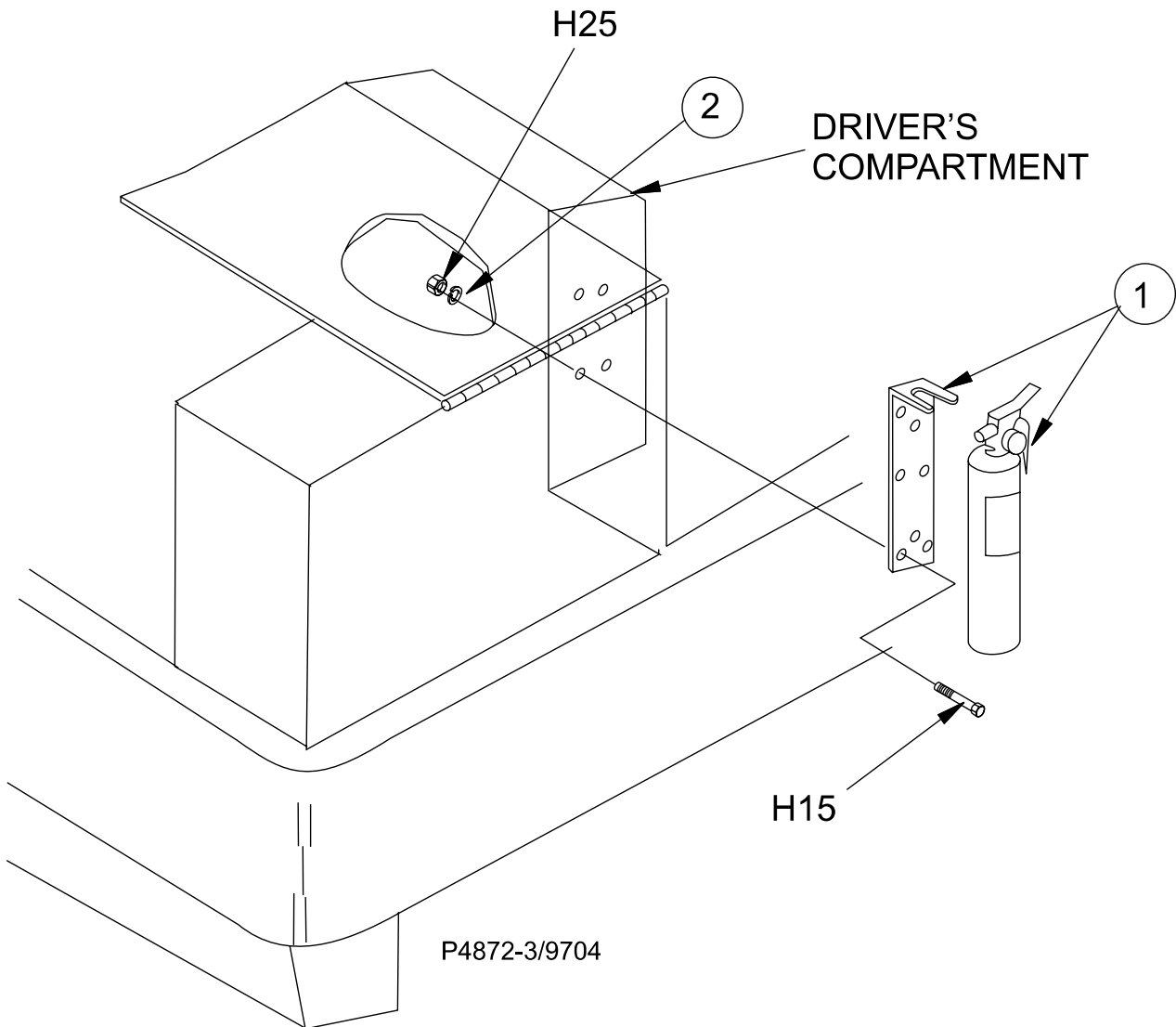
# WARNING LIGHTS with OVERHEAD GUARD - EXPLODED VIEW



P4901/9511



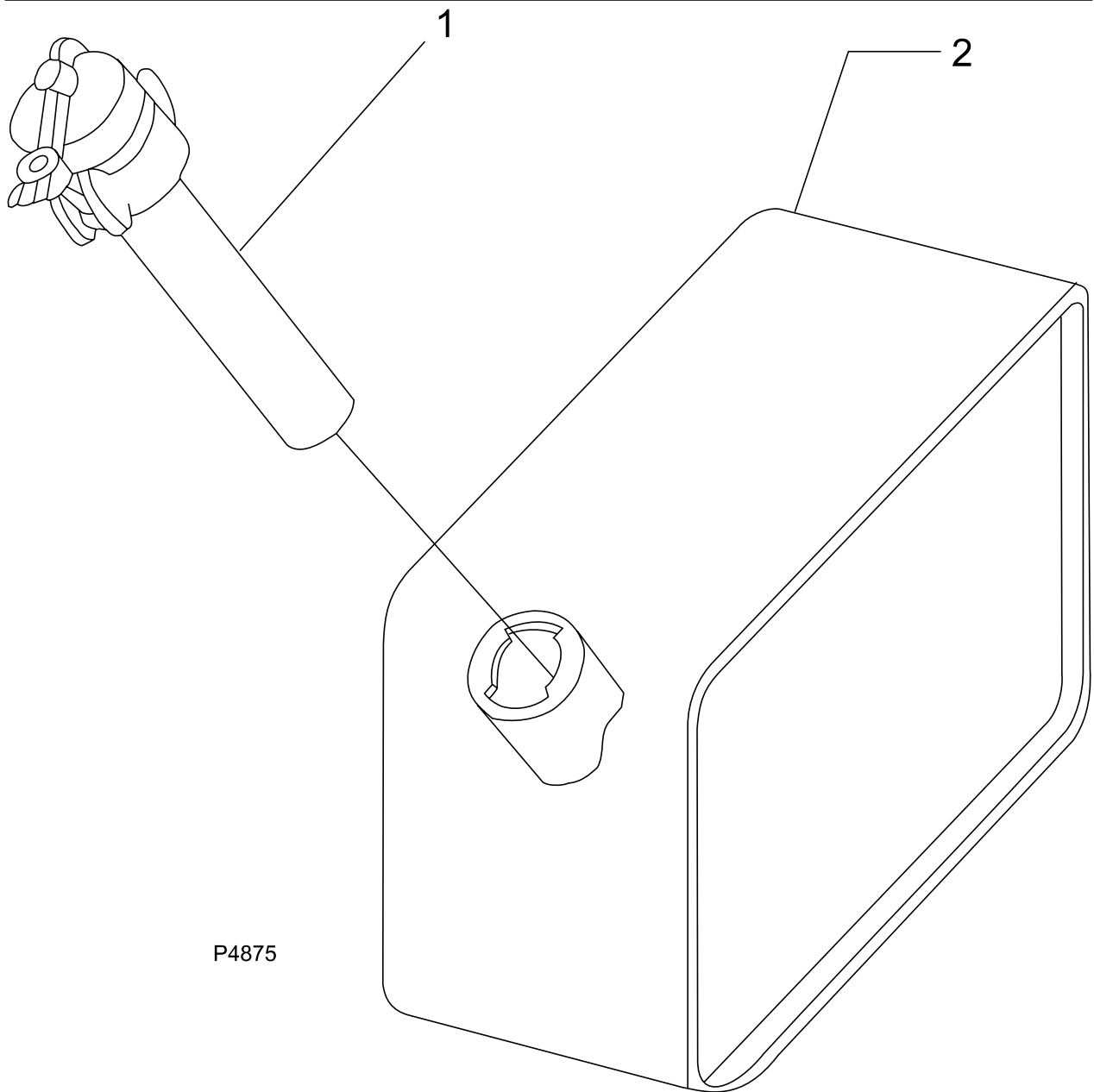
# FIRE EXTINGUISHER



<u>KEY NO.</u>	<u>PART NUMBER</u>	<u>DESCRIPTION</u>	<u>QTY</u>
1	8-83-04033	Fire Extinguisher	1
2	2-00-00221	Screw, 1/4 - 20 x .750 HHC	4
3	980657-1	Lock Washer, 1/4 Split	4
4	2-00-00594	Nut, Hex 1/4 - 20 x .437 x .218	4

P-4872-3/9704

# FLAME ARRESTING GAS CAP



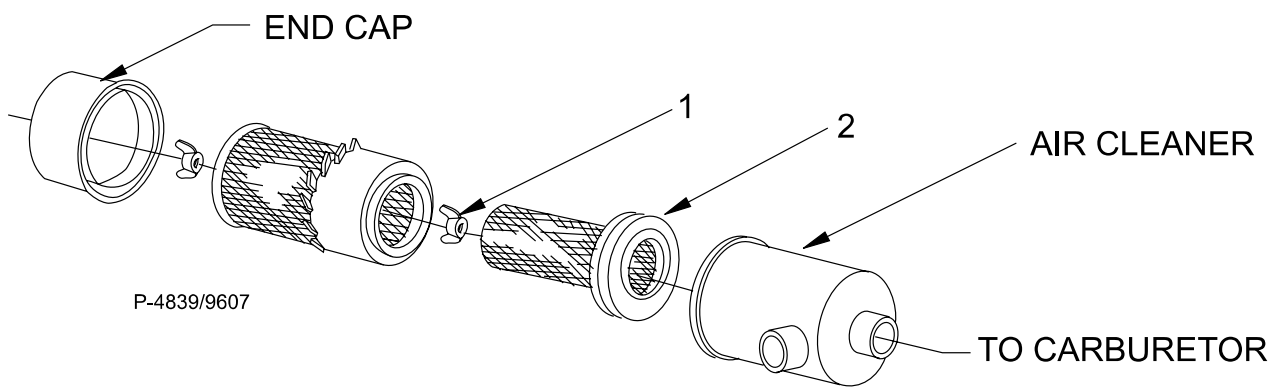
OPTION NO. 0880-105

<u>KEY NO.</u>	<u>PART NUMBER</u>	<u>DESCRIPTION</u>	<u>QTY</u>
1	8-11-00024	Flame Arresting Gas Cap	1
2	8-83-04022	Fuel Tank with Gauge	1

P-4875/9601

# SAFETY AIR CLEANER

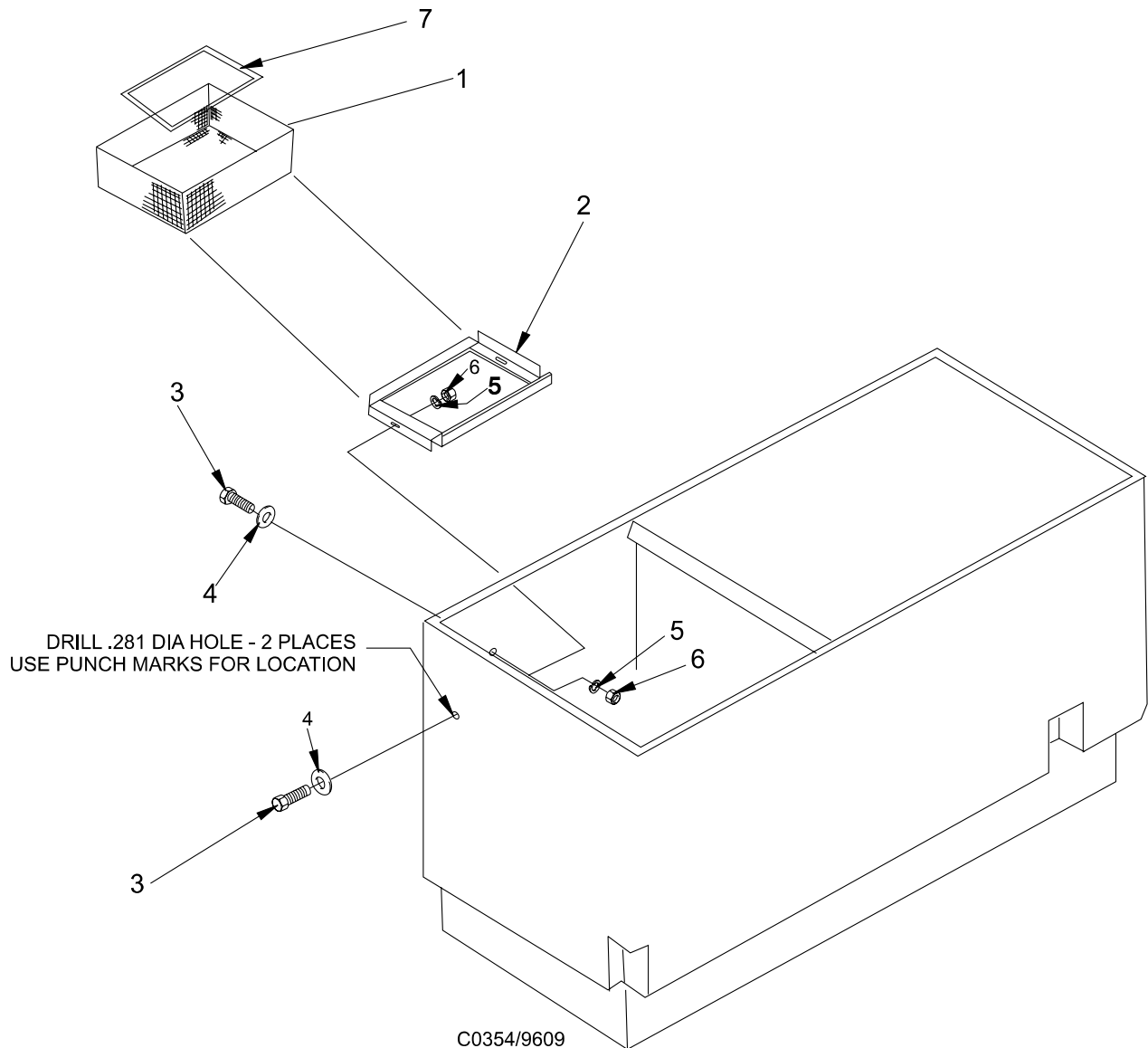
---



<u>KEY NO.</u>	<u>PART NUMBER</u>	<u>DESCRIPTION</u>	<u>QTY</u>
1	8-23-03064	Wing Nut Assembly	1
2	8-24-04111	Filter Element	1

P-4839/9601

## DEBRIS BASKET



<b>KEY NO.</b>	<b>PART NUMBER</b>	<b>DESCRIPTION</b>	<b>QTY</b>
1	7-06-00001	Debris Basket	1
2	7-27-07156	Debris Basket Frame	1
3	2-00-04685	Screw, 1/4-20 x .750 HHC	2
4	2-00-04590	Sealing Washer, 1/4	2
5	2-00-04686	Lock Washer, 1/4	2
6	2-00-04688	Nut, Hex 1/4-20	2
7	3-73-00024	Edging	3.75 ft.

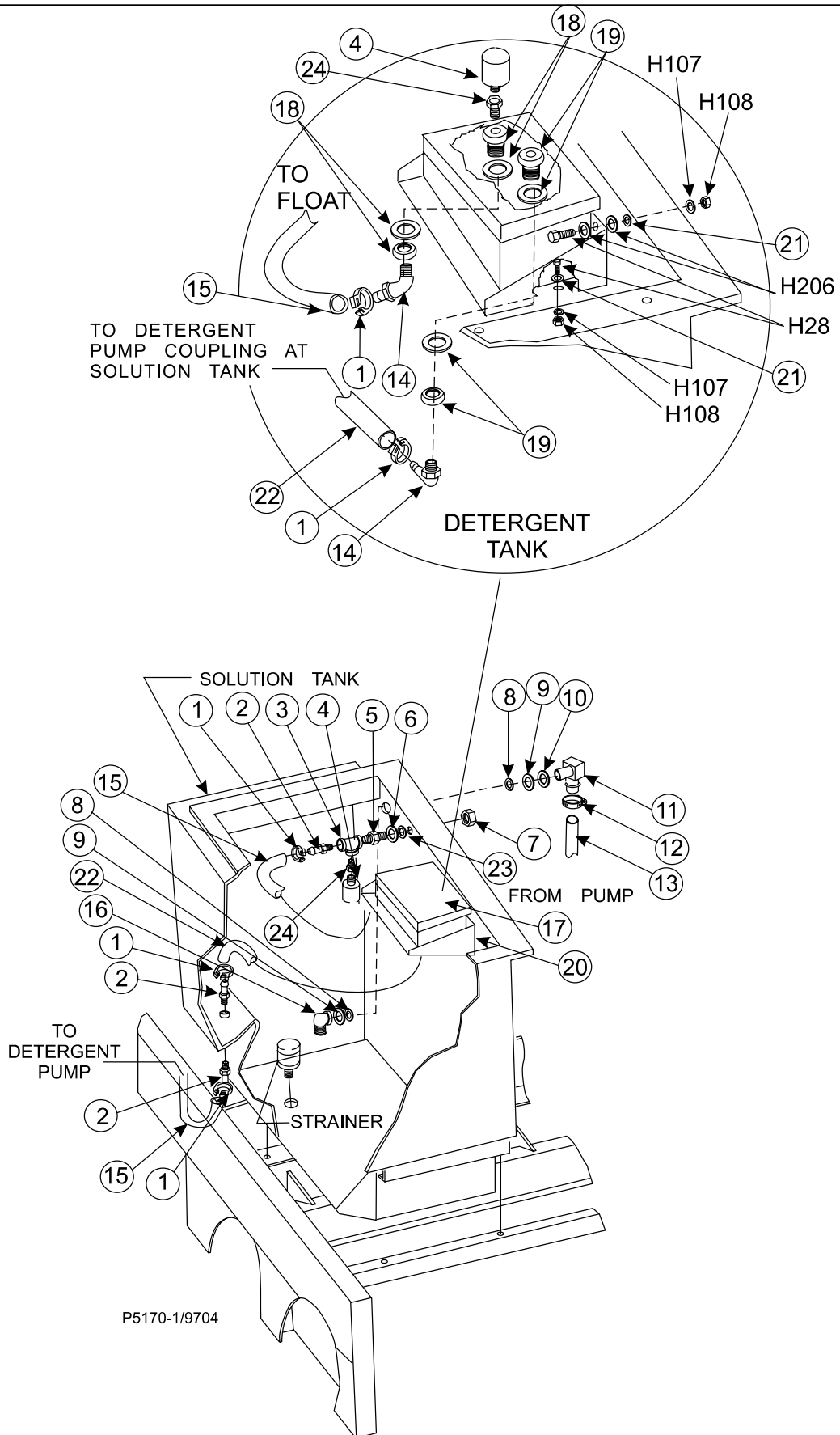
C-0354/9609

**DETERGENT & SOLUTION TANK, ESP OPTION - PARTS LIST**

<u>KEYNO.</u>	<u>PARTNUMBER</u>	<u>DESCRIPTION</u>	<u>QTY</u>
1	7-13-07084	Hose Clamp	10
2	2-74-00001	Fitting	3
3	2-00-05022	Fitting, Tee 1/4 NPT	1
4	7-82-00017	Float	2
5	2-00-04628	Fitting, Nipple 1/4 NPT to 3/8 NPT	1
6	2-00-05020	Sealing Washer	1
7	2-00-05018	Nut	1
8	2-00-05014	O-Ring Seal	4
9	2-00-05015	Sealing Washer	4
10	2-00-05239	Flat Washer, 2x1.063 x .125 SS	2
11	7-25-02038	Fitting, 90° Elbow, Pipe to Hose	1
12	2-00-03407	Clamp	4
13	7-33-02328	Hose, Pump to Solution Tank	1
14	2-00-04654	Fitting, 90°	2
15	7-87-02147	Detergent Feed Tube 18"	3
16	2-95-04268	Elbow, Street 3/4 NPT	2
17	2-00-04689	Flat Washer, .687 od X.260 id x .050	4
18	7-83-04162	Detergent Tank	1
19	7-25-02080	Fitting, Bulkhead (Detergent Float)	1
20	2-00-05346	Fitting, Bulkhead (Detergent Tank)	1
21	2-00-05025	Pump, ESP	1
22	2-00-04685	Screw, 1/4-20 x .750 HHC SS	4
23	7-81-00187	Detergent Tank Support	1
24	2-00-02329	Hose, Pump to Recovery Tank	1
25	2-00-04590	Sealing Washer, 1/4 x .063	4
26	2-00-04687	Lock Washer, 1/4 Med. HS SS	4
27	2-00-04688	Nut, Hex 1/4-20 x .437 x .218 SS	4
28	2-00-01246	Nut, #10-24 x 1.500 RHM	6
29	2-00-00089	Screw, #10-24 x 1.500 RHM	4
30	7-87-02129	Tube	1
31	2-00-05019	O-Ring Seal	1
32	2-00-05003	Fitting, Reducer	1
33	2-00-00641	Nut Fiber	1
34	2-00-04655	Fitting, 90° Elbow	1
35	2-00-03261	Grommet	1
36	2-00-05412	Fitting, Union-Reducer Connector	2
37	7-60-05031	Pump, Peristaltic Metering	1
38	2-00-05056	Screw, #10-24 x 2.000 SCH	2
39	8-75-01207	Spacer	2
40	2-00-00426	Flatwasher, .50 OD x .219 ID x .063	6
41	2-00-00498	Washer, external Star	2
42	7-87-02130	Tube (Cut to 11.00)	1
43	2-00-04578	Terminal	1
44			
45	2-00-00828	Terminal	1
46	3-61-00189	Wire, Black-16 AWG.	1'
47	2-00-01490	Bolt	1
48	2-00-03702	Flatwasher	2
49	2-00-04751	Fitting, 90° Swivel Elbow	1
50	2-00-04608	Fitting, 3/4 NPT Coupling	1
51	2-95-02518	Fitting, 3/4 NPT Close Nipple	1
52	2-00-04469	Fitting, 90° Elbow	1
53	7-24-04022	Solution Inlet Filter	1
54	2-00-04736	Fitting, 3/4 NPT Connector	1
55	2-00-05035	Reducing 90° Elbow 1/4 to 1/8 NPT	1

P-5170/0007

## DETERGENT & SOLUTION TANK, ESP OPTION - EXPLODED VIEW

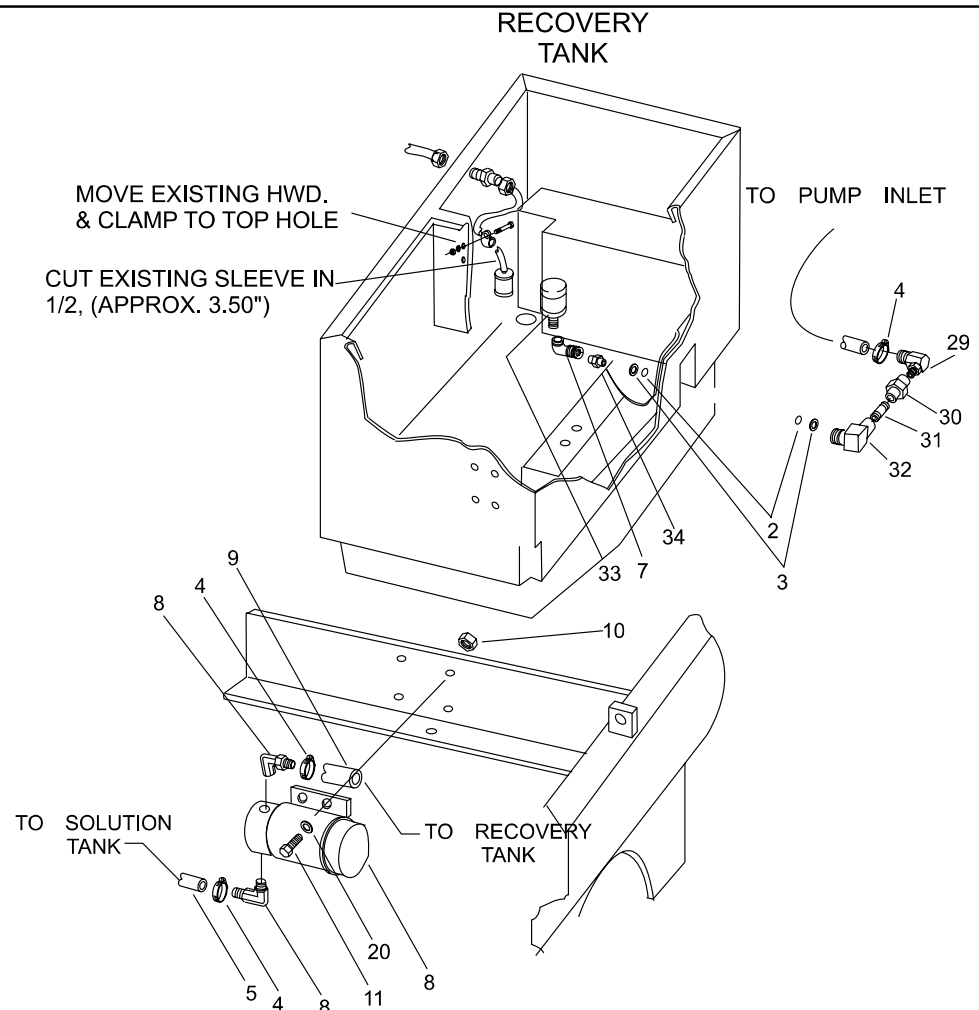


## RECOVERY TANK & DETERGENT PUMP, ESP OPTION - PARTS LIST

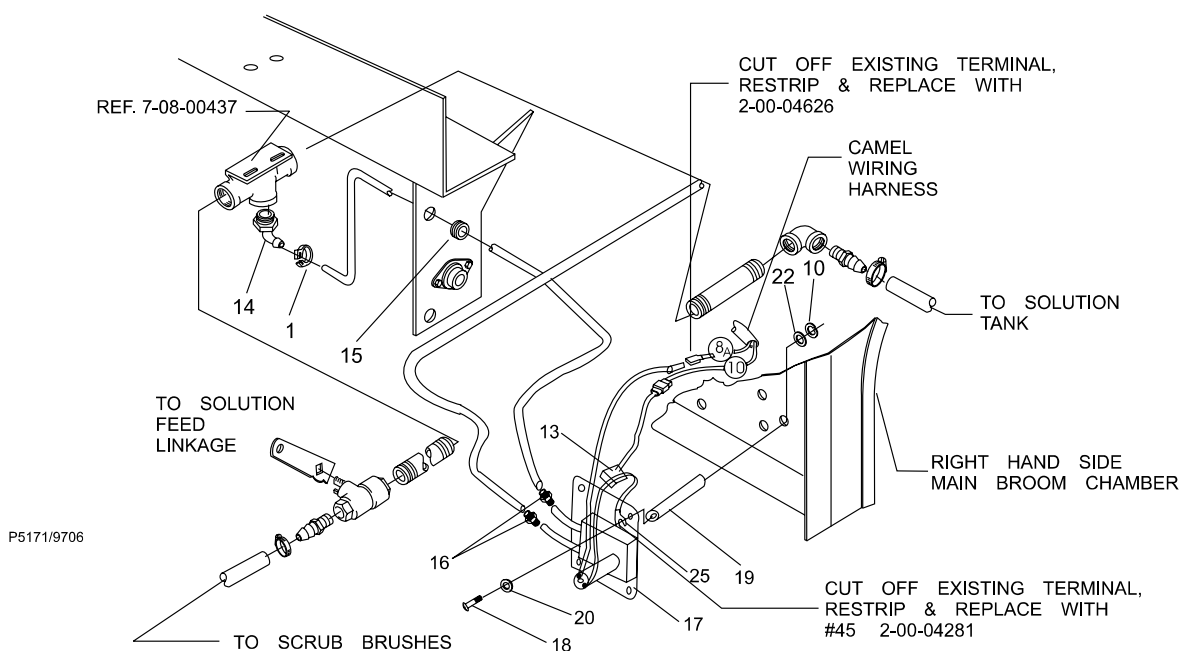
<u>KEY NO.</u>	<u>PART NUMBER</u>	<u>DESCRIPTION</u>	<u>QTY</u>
1	7-13-07084	Hose Clamp	6
2	2-00-05014	O-Ring Seal	2
3	2-00-05015	Sealing Washer	2
4	2-00-03407	Clamp	1
5	7-33-02328	Hose, Pump to Solution Tank	1
6	7-87-02147	Detergent Feed Tube 18"	1
7	2-95-04268	Elbow, Street 3/4 NPT	1
8	7-60-05025	Pump, ESP	1
9	7-33-02329	Hose, Pump to Recovery Tank	1
10	2-00-01246	Nut, #10-24 Hex	4
11	2-00-00089	Screw, #10-24 x 1.500 RHM	4
12	7-87-02129	Tube	1
13	2-00-04479	Terminal, 3-Way	1
14	2-00-04655	Fitting, 90°	1
15	2-00-03261	Grommet	1
16	2-00-04345	Ty-Rap	1
17	7-60-055031	Pump, Peristaltic Metering	1
18	2-00-02848	Screw, #10-32 x .500 RHM	3
19	2-00-00519	Lock Washer, #10 Med. HS	3
20	2-00-00426	Flat Washer	7
21	8-11-00015	Terminal, 1/4 Male Blade Covered	1
22	2-00-02296	Washer, #10 Star	1
23	2-00-01081	Screw, #8-32 x .500 RHPH	1
24	2-00-00506	Lock Washer, #8 Int.	2
25	2-00-00842	Terminal	1
26	0780-071	Tubing Connector Service Parts Kit	Ref.
27	0780-072	Hi-Hat Poppet Service Parts Kit	Ref.
28	0780-073	Bellows Module Service Parts Kit	Ref.
29	2-00-04751	Fitting, 90° Swivel Elbow	1
30	2-00-04608	Fitting, 3/4 NPT Coupling	1
31	2-95-02518	Fitting, 3/4 NPT Close Nipple	1
32	2-00-04469	Fitting, 90° Elbow	1
33	7-24-04022	Solution Inlet Filter	1
34	2-00-04736	Fitting, 3/4 NPT Connector	1

P-5171/9809

# RECOVERY TANK & DETERGENT PUMP, ESP OPTION - EXPLODED VIEW



NOTE:  
 USE PST PIPE SEALANT ON STEEL PIPE CONNECTIONS  
 USE TEFLON TAPE ON PLASTIC CONNECTIONS





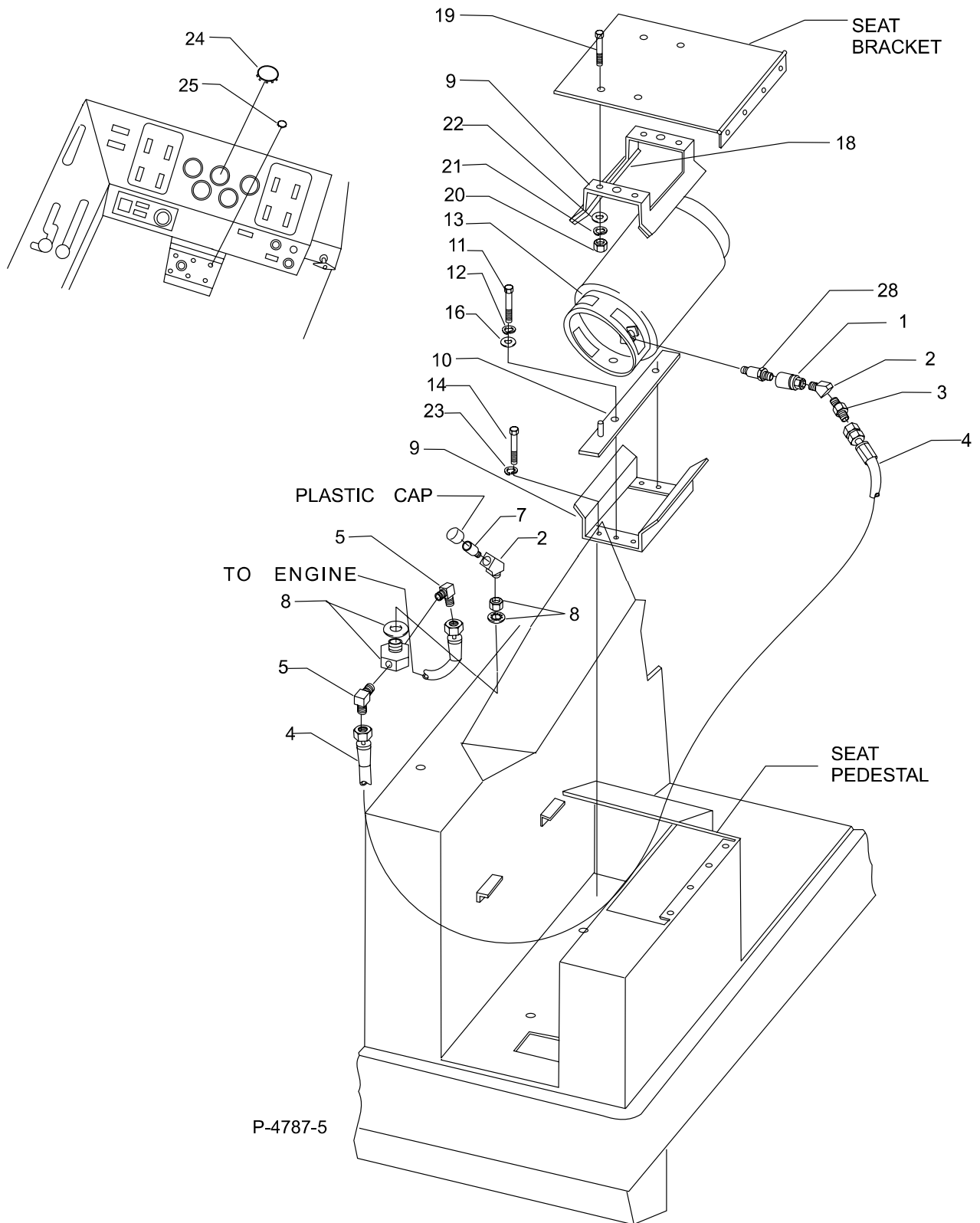
## LP TANK SYSTEM OPTION - PARTS LIST

---

<u>KEY NO.</u>	<u>PART NUMBER</u>	<u>DESCRIPTION</u>	<u>QTY.</u>
1	*	Coupling	1
2	*	Fitting, 1/4 NPT x 1/4 FM 45°	2
3	*	Fitting, 1/4 NPT x 3/8 SAE Straight	1
4	*	Hose, 5/16 ID x 53" Lg. #6 UL	1
5	*	Fitting, 1/4 NPT x 3/8 SAE 90°	2
6			
7	*	Relief Valve	1
8	*	Fitting, Bulkhead	1
9	7-15-01038	Collar Weldment	2
10	7-43-05004	Lock Weldment	1
11	2-00-00220	Screw, 1/4-20 x .63 Lg.	2
12	2-00-00518	Washer, Lock 1/4	2
13	8-83-04016	Tank, LP(comes with fitting)	1
14	2-00-00233	Screw, HHC 3/8-16 x 1.00 Lg.	4
15			
16	2-00-03702	Washer, Flat	2
17			
18	7-50-05143	Pad	2
19	2-00-02708	Screw, HHC 5/16-18 x 1.00Lg.	4
20	2-00-00585	Nut, Hex 5/16-18 THDs	4
21	2-00-00530	Washer, Lock 5/16	4
22	2-00-00409	Washer, Flat	4
23	2-00-02310	Washer, Lock 3/8	4
24	2-00-04432	Hole Plug (Fuel Gauge)	1
25	2-00-04757	Hole Plug (Choke)	1

P4787-5/9609

# LP TANK SYSTEM OPTION - EXPLODED VIEW



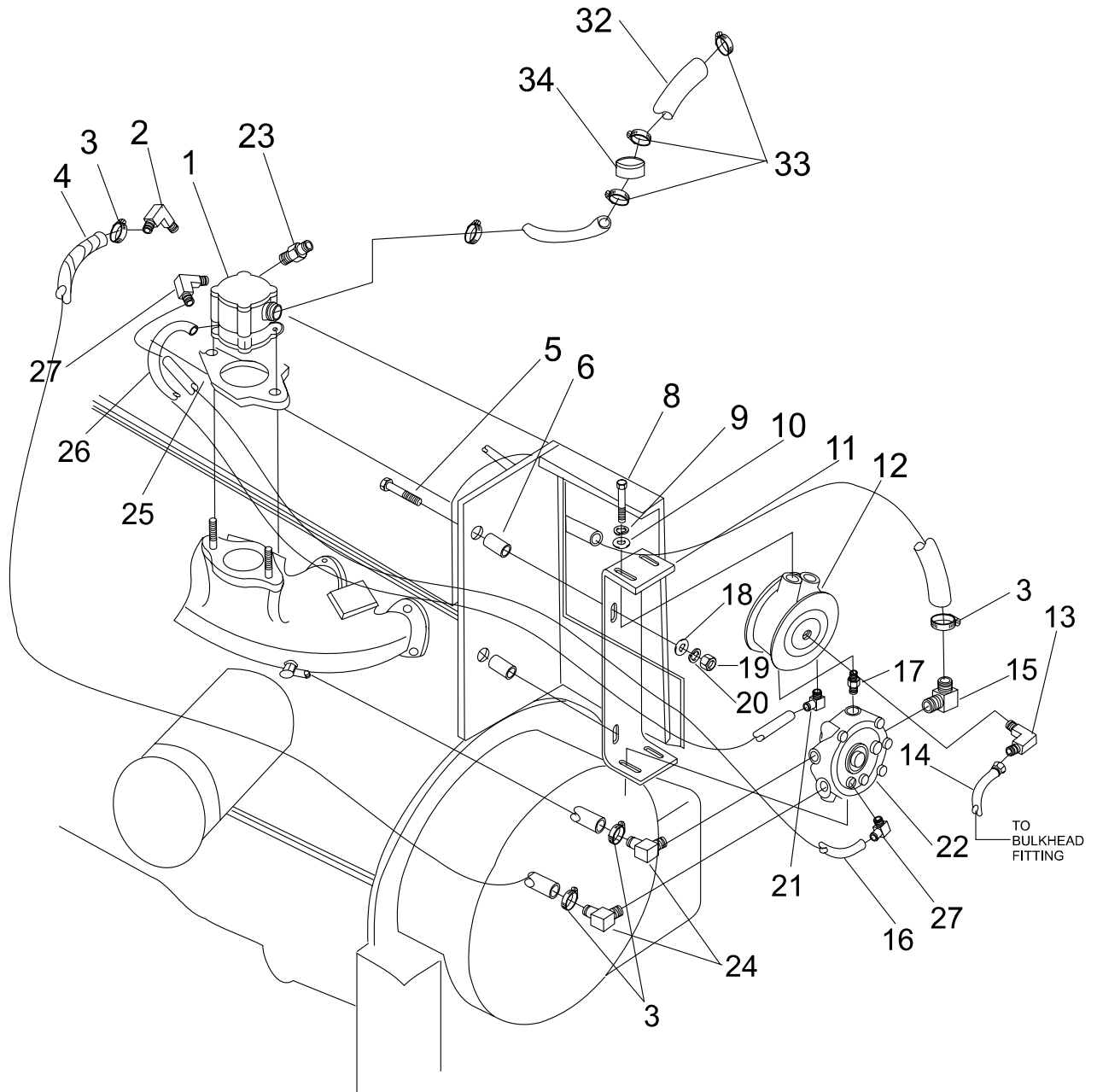
## LP FORD ENGINE - PARTS LIST

KEY NO.	PART NUMBER	DESCRIPTION	QTY.
1*	0769-015	Carburetor	1
2*		Fitting, 1/2 NPT x 5/8 Tube 90° Elbow	2
3*		Hose Clamp #8	4
4*		Hose, 5/8 I.D. x 24 Lg., Fuel	1
5	2-00-00246	Screw, 1/4 - 20 x 2.250 HHC	2
6	7-75-01096	Spacer, .750 x .343 x 1.13	2
7			
8	2-00-00220	Screw, 1/4 - 20 x .625 HHC	4
9	2-00-00518	Lock Washer, Helical Spring 1/4 Med.	4
10	2-00-03702	Flat Washer, .625 x .281 x .063	4
11*		Bracket	1
12*	0769-017	Fuelock Filter	1
13*		Fitting, 1/4 NPT x 3/8 SAE 90° Elbow	1
14*		Hose Assembly 5/16 I.D. x 56.00" Lg.	1
15*		Fitting, 3/8 NPT x 5/8 Hose x 45°	1
16*		Hose - Balance Line 3/8 I.D. x 18.00" Lg.	1
17*		Fitting, 1/4 NPT Nipple	1
18	2-00-00416	Flat Washer, .750 x .265 x .062	2
19	2-00-00594	Nut, 1/4 - 20 x .437 x .218	2
20	2-00-00518	Lock Washer, Helical Spring 1/4 Med.	2
21*		Fitting, 1/8 NPT x 7/32 Tube 90° Elbow	1
22*	0769-018	Regulator - Baporizer (Blue Spring)	1
23*		Fitting, 1/4 NPT x 3/8 Hose Straight	1
24*		Fitting, 3/8 NPT x 5/8 Tube 90° Elbow	1
25*	0769-016	Carburetor Gasket (Manifold)	1
26*		Vac Hose, 1/4 I.D. x 27 Lg.	1
27*		Fitting, 1/8 NPT x 3/8 Hose 90°	2
28			
29*	2-00-01128	Butt Connector	1
30	3-61-00189	Wire, 16 Gauge Black	1
31	2-00-00828	Terminal, Ring .25	1
32	8-33-02266	Elbow	1
33	2-00-02216	Hose Clamp	2
34	8-87-02110	Adapter	1

NOTE: All parts marked with an \* are contained in LP Engine Kit # 7-11-04015

P-4918-1/9610

# LP FORD ENGINE - EXPLODED VIEW



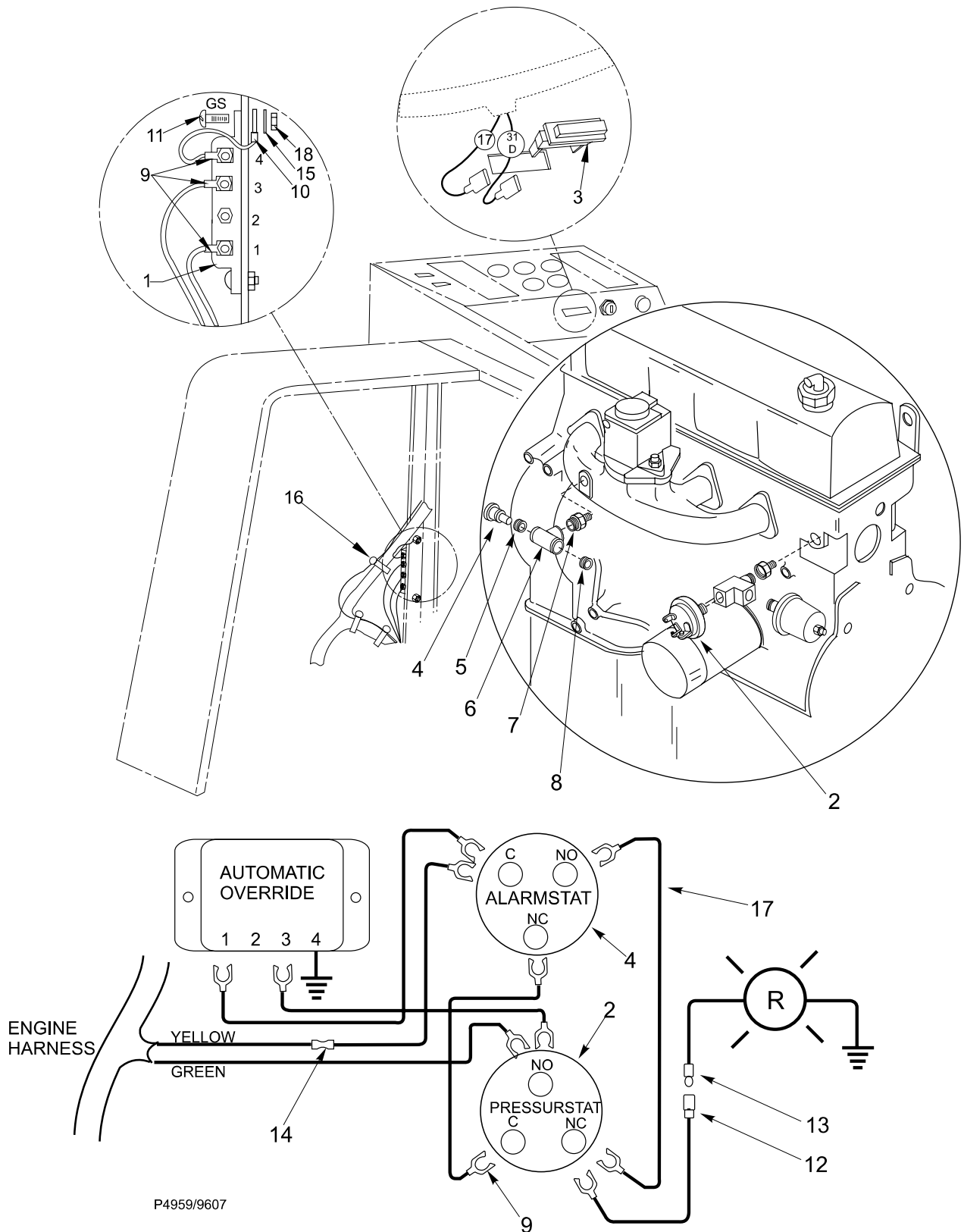
## FORD ENGINE SHUTDOWN - PARTS LIST

---

<u>KEY NO.</u>	<u>PART NUMBER</u>	<u>DESCRIPTION</u>	<u>QTY</u>
1	8-64-00004	Relay, Automatic Override	1
2	8-63-05013	Regulator, Pressurestat	1
3	7-40-05028	Light, Warning	1
4	8-63-05011	Regulator, Alarmstat	1
5	8-09-01070	Bushing, 3/8 NPT x 1/2 NPT	1
6	2-95-02537	Pipe Tee, 1/2 NPT (Galv.)	1
7	2-00-04638	Pipe, Nipple 1/2 NPT x 3/8 NPT	1
8	2-00-02474	Plug, 1/2 NPT Hex HD	1
9	2-00-04808	Terminal, Amp. 52936 or Equiv.	11
10	2-00-00838	Terminal, Etc. B-337-10 or Equiv.	1
11	2-00-00049	Screw, #10-24 x .500 RHM	2
12	2-00-04626	Terminal, Holl. FP5336F or Equiv.	1
13	2-00-04576	Terminal, Holl. XMP9654S or Equiv.	1
14	2-00-01128	Terminal, Butt Splice	1
15	2-00-00519	Washer, #10 Lock	2
16	2-00-04345	Tye Rap	10
17	3-61-00189	Stranded, 16 awg. Black	20'
18	2-00-00605	Nut, #10-24	2

P-4959/9609

# FORD ENGINE SHUTDOWN - EXPLODED VIEW



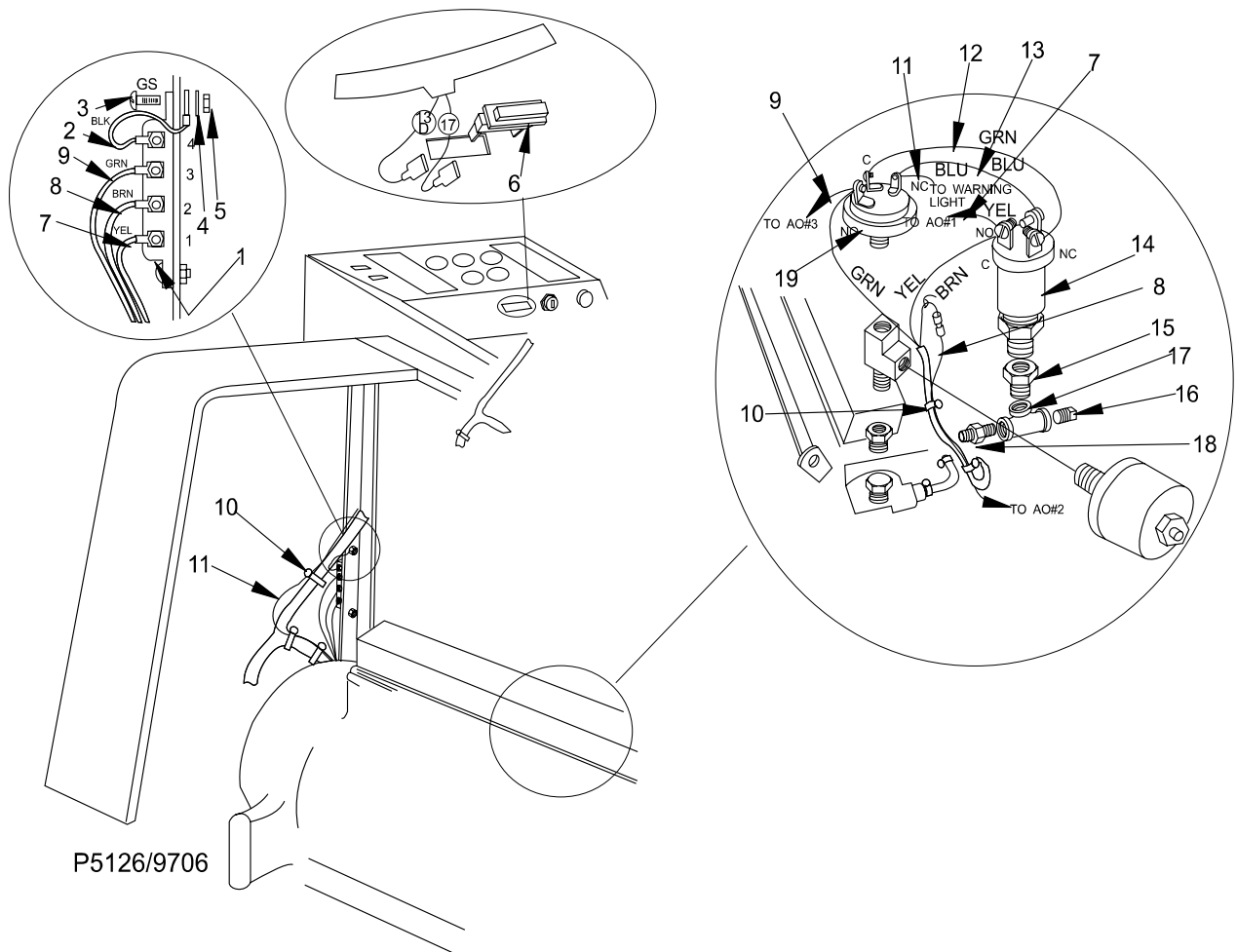
## PERKINS ENGINE SHUTDOWN - PARTS LIST

---

<u>KEY NO.</u>	<u>PART NUMBER</u>	<u>DESCRIPTION</u>	<u>QTY</u>
1	8-64-00004	Automatic Override Relay	1
2	8-90-07365	Wire, (GS) to Automatic Override #4	1
3	2-00-00049	Screw, #10-24 X .50 RHMS	2
4	2-00-00519	Washer, #10 Lock	2
5	2-00-00605	Nut, #10-24	2
6	7-40-05028	Warning Light	1
7	8-90-07398	Wire, (A.O. #1) to Alarmstat C	1
8	8-90-07399	Wire, (A.O. #2) to Butt Splice	1
9	8-90-07400	Wire, (A.O. #3) to Pressurestat NO	1
10	2-00-04345	Ty-Rap	1
11	8-90-07404	Wire, Pressurestat NC to Wire #17	1
12	8-90-07402	Wire, Pressurestat C to Alarmstat NC	1
13	8-90-07401	Wire, Pressurestat NC to Alarmstat NO	1
14	8-63-05012	Alarmstat Regulator	1
15	8-09-01070	Alarmstat Bushing, 3/8-1/2 NPT	1
16	2-00-02474	Pipe Plug, 1/2 NPT	1
17	2-95-02537	Tee	1
18	2-00-04638	Reducer, 3/8 to 1/2	1
19	8-63-05013	Pressurestat Regulator	1

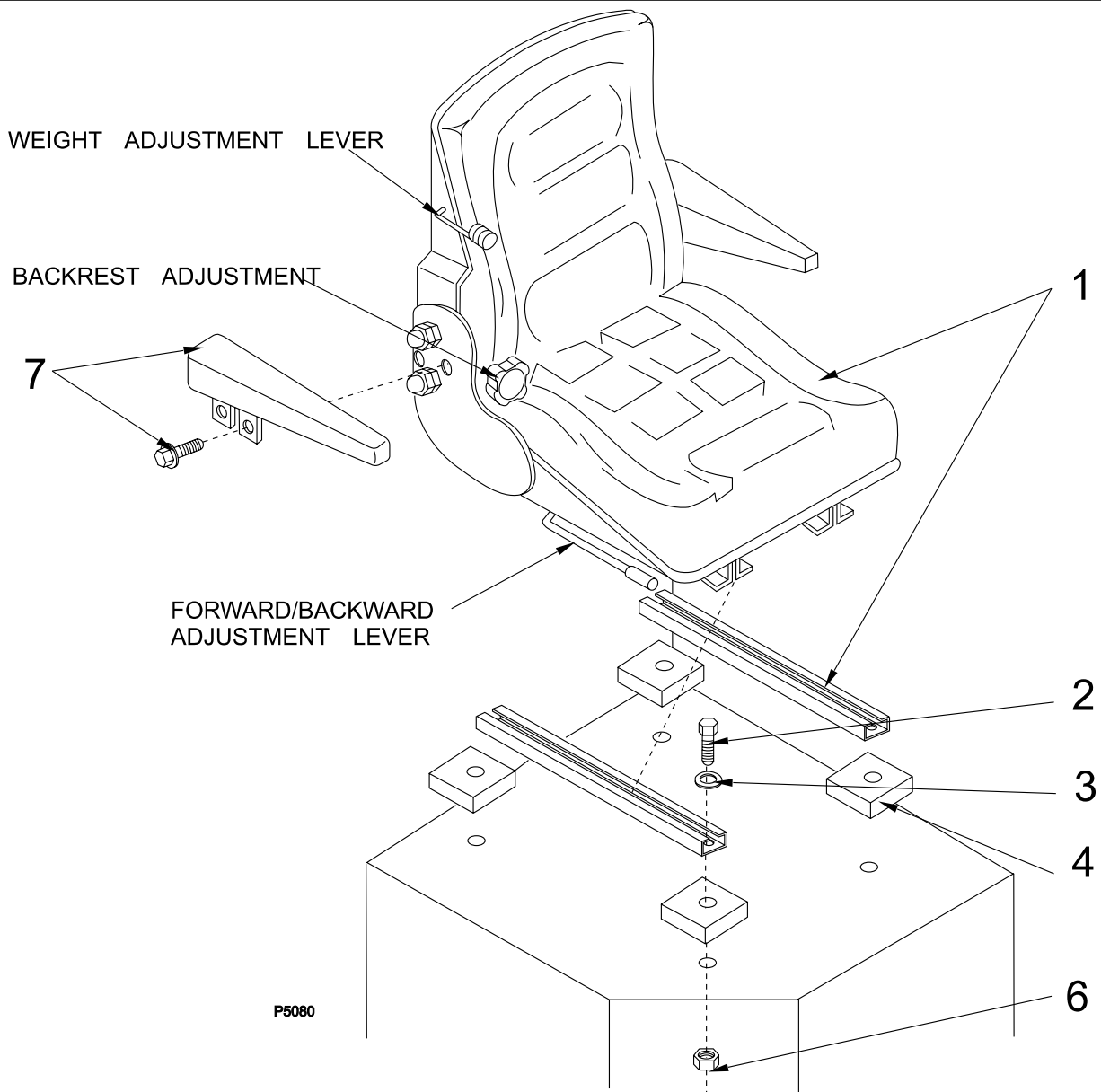
P-5126/9609

# PERKINS ENGINE SHUTDOWN - EXPLODED VIEW





## SUSPENSION SEAT

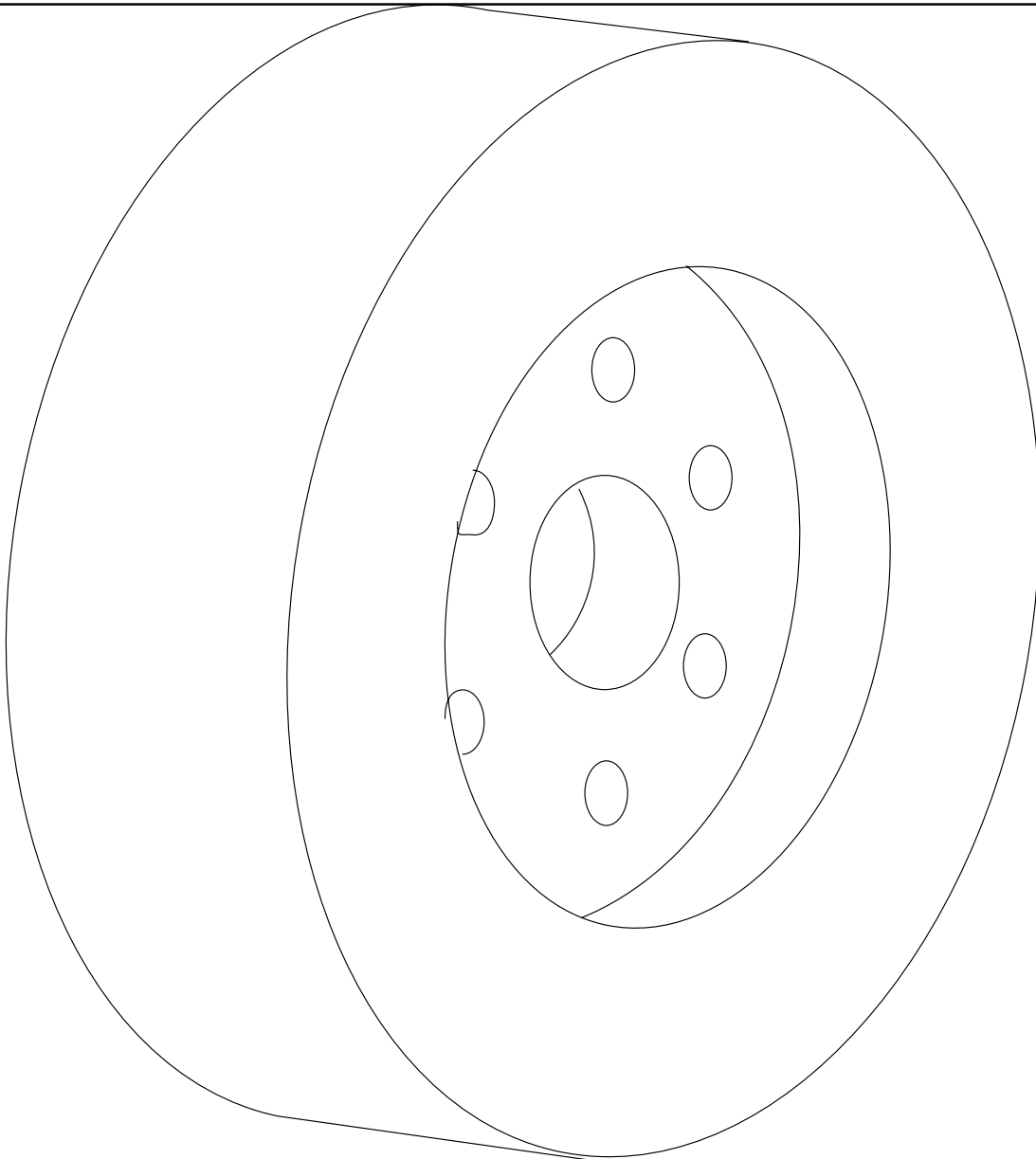


KEY NO.	PART NUMBER	DESCRIPTION	QTY
1	8-69-00015	Seat without armrests	1
2	2-00-00225	Screw, 5/16-18 x 1.500 HHC	4
3	2-00-00409	Flat Washer, .687 x .343 x .062	4
4	8-71-00016	Shim Block	4
5	2-00-02322	Lock Washer 5/16	4
6	2-00-00644	Nut, 5/16-18 Lock	4
7	8-09-04272	Armrest Kit (Includes both Armrests)	1
	0780-109	Suspension Seat Option (Includes all the Above)	

P-5080/9601

## TIRE OPTIONS

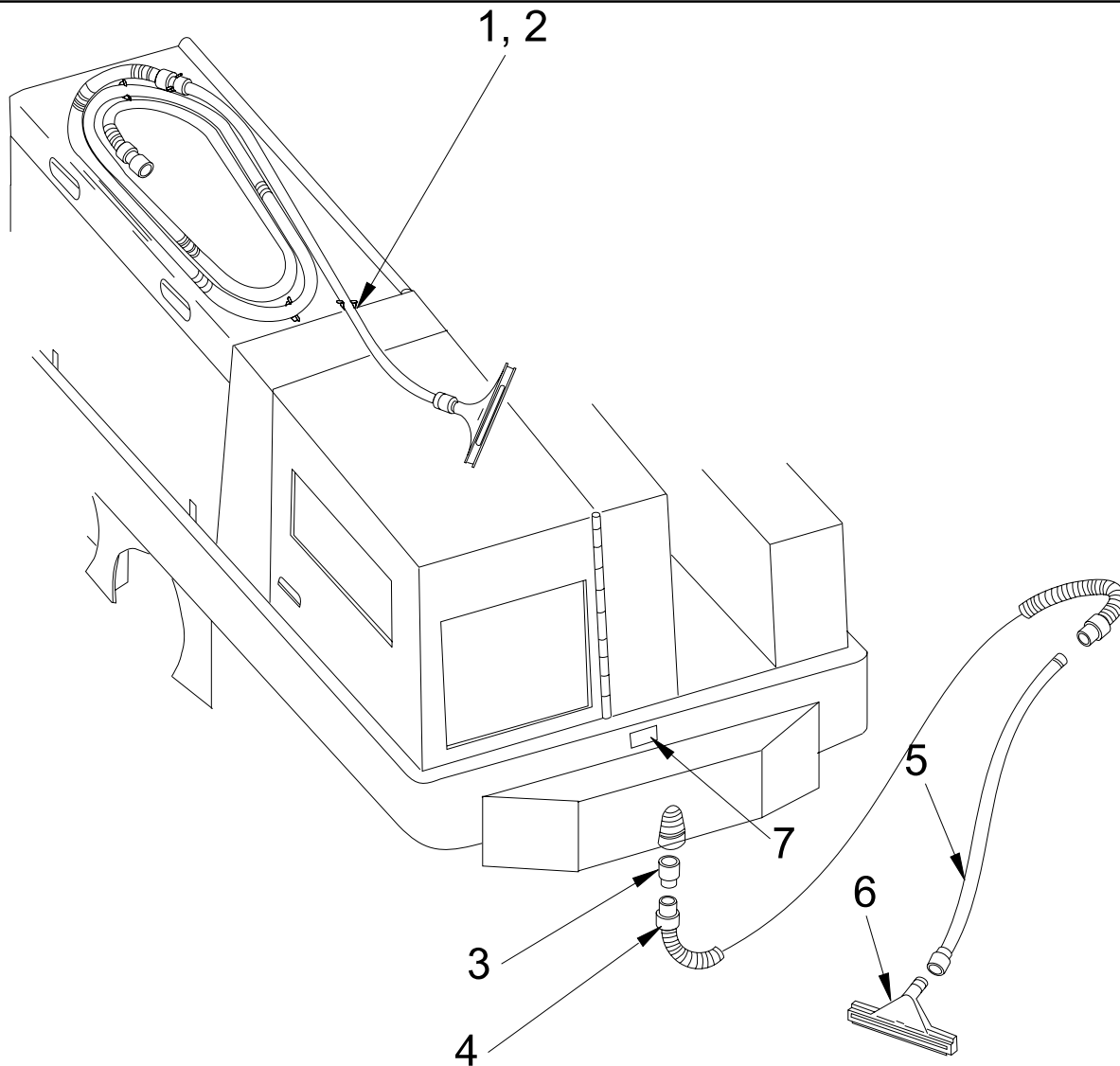
---



<u>KEY NO.</u>	<u>PART NUMBER</u>	<u>DESCRIPTION</u>	<u>QTY</u>
1	7-89-08068	Rear Drive Tire, 6" Wide	1
1	7-89-08071	Siped Rear Drive Tire	1
1	0780-098	Front Tire, Urethane	2

P-4554/9601

## VACUUM WAND OPTION

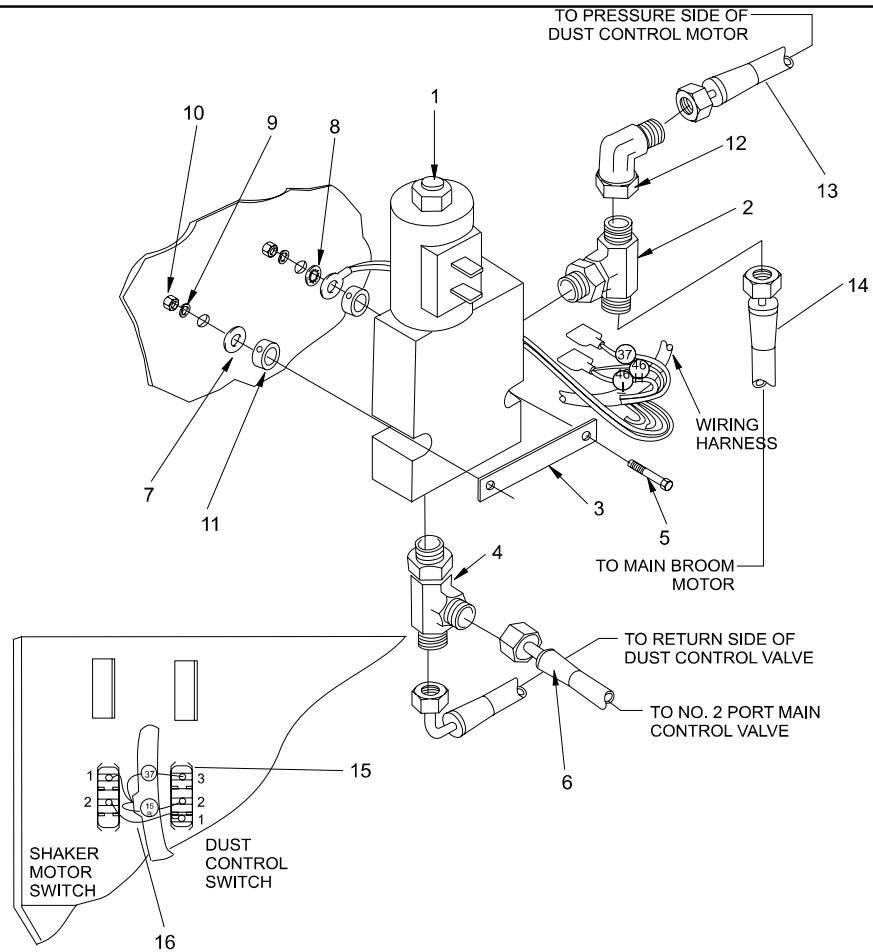


### OPTION NO. 0780-382

<u>KEY NO.</u>	<u>PART NUMBER</u>	<u>DESCRIPTION</u>	<u>QTY</u>
1	7-13-07097	Clip	10
2	2-00-04312	Screw, #10 - 24 x .625 T/C HH	10
3	7-03-00040	Adapter	1
4	634118-4	Clarke Hose	1
5	639804-4	Clarke 1 1/2" Wand Assembly	1
6	638828-4	14" Squeegee	1
7	7-18-00121	Decal, Warning	1

P-4930/9601

## WET SWEEP BYPASS OPTION



P4881/9809

<u>KEY NO.</u>	<u>PART NUMBER</u>	<u>DESCRIPTION</u>	<u>QTY</u>
1	7-88-00038	Solenoid Valve (N.O.)	1
2	2-00-04978	ORFS Run Tee, 3/4-16 to 13/16-16	1
3	8-08-00590	Bracket	1
4	2-00-04924	ORFS Run Tee, 3/4-16 to 13/16-16	1
5	2-00-01980	Screw, 1/4 - 20 x 2.500 HHC	2
6	8-33-02190	Hose (Gas)	1
6	7-33-02205	Hose (Diesel)	1
7	2-00-03702	Flat Washer, .625 x .281 x .062	1
8	2-00-00501	Lock Washer, 1/4 Int.	1
9	2-00-00518	Lock Washer, Helical Spring 1/4 Med	2
10	2-00-00594	Nut, Hex 1/4 - 20 x .437 x .218	2
11	7-15-01031	Spacer	2
12	2-00-05046	Fitting, 90° Elbow	1
13	7-33-02192	Hose	Ref.
14	8-33-02214	Hose	Ref.
15	7-82-00020	Switch	1
16	7-90-07228	Wire, Jumper	1

P-4881/9601

American-Lincoln Technology  
7760

3-45

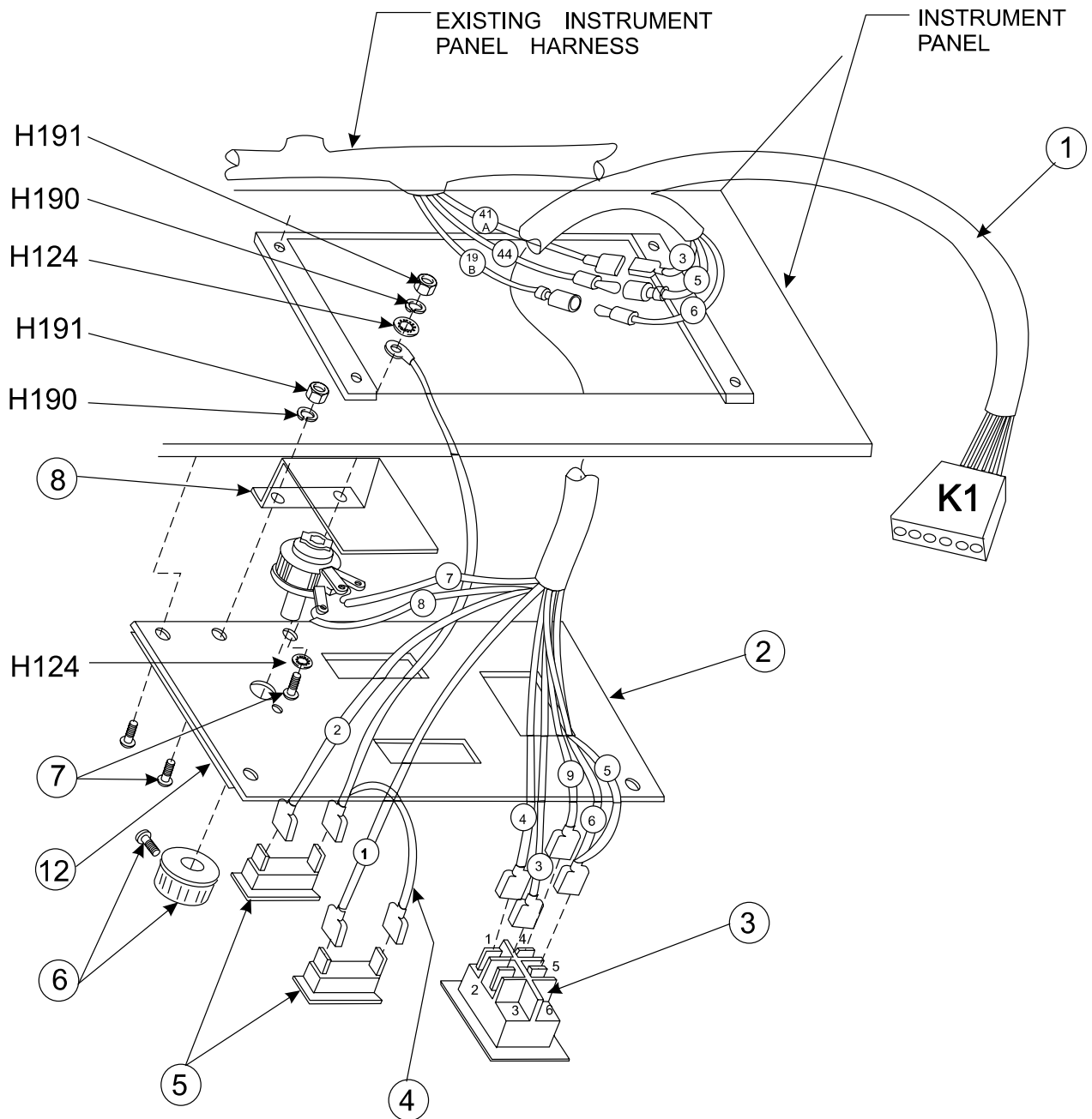
## INSTRUMENT PANEL, ESP OPTION - PARTS LIST

---

<u>KEY NO.</u>	<u>PART NUMBER</u>	<u>DESCRIPTION</u>	<u>QTY</u>
1	0795-114	ESP Wiring Harness	1
2	7-52-00082	ESP Instrument Panel	1
3	7-82-00022	DPS ON/OFF Switch	1
4	7-90-07233	Wire Assembly, Gr. for Detergent Low & Solution High	1
5	7-40-05028	Light	2
6	7-39-00021	Knob	1
7	2-00-01703	Screw, #8-32 x .875 RHM	2
8	2-00-02296	Lock Washer, #10 Ext.	2
9	7-30-05057	Guard, Rheostat	1
10	2-00-00529	Lock Washer, Helical Spring #8 Med.	2
11	2-00-00602	Nut, Hex MS #8-32 x .375 x .125	2
12	7-18-00136	Decal, Detergent Flow	1

C1231

# INSTRUMENT PANEL, ESP OPTION - EXPLODED VIEW



C1231-1/9704

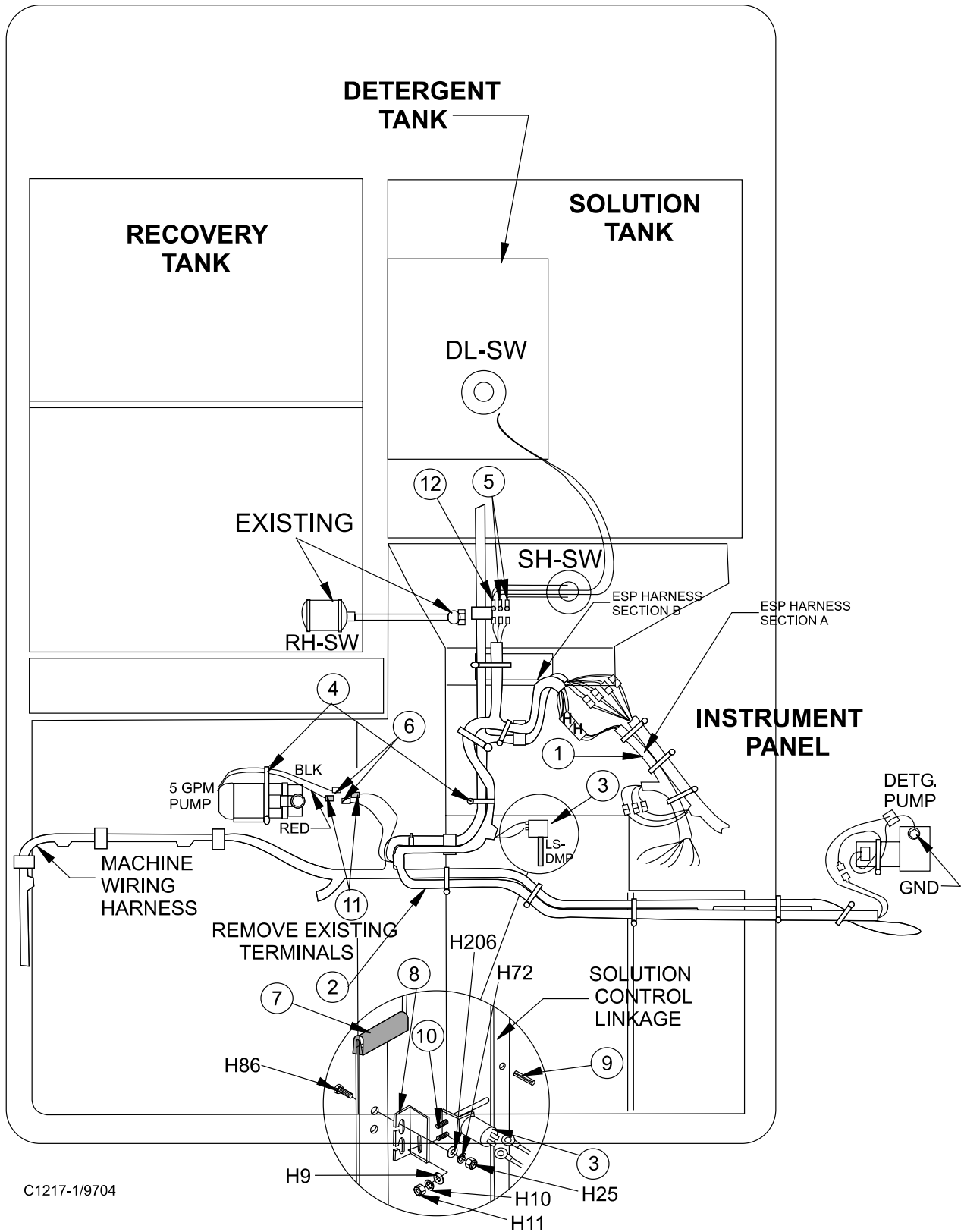
## WIRING, ESP OPTION - PARTS LIST

---

<u>KEY NO.</u>	<u>PART NUMBER</u>	<u>DESCRIPTION</u>	<u>QTY</u>
1	0795-114	ESP Wiring Harness, Section A	1
2	0795-114	ESP Wiring Harness, Section B	1
3	8-82-00036	LS - DMP Switch	1
4	2-00-04345	Wire Tie	9
5	2-00-04551	Terminal, .156 Male	2
6	2-00-03418	Terminal, .250 FISO Female	2
7	8-21-04019	Edging	1
8	2-00-03575	Carriage Bolt	2
9	2-00-00407	Flat Washer, .562 x .265 x .062	2
10	8-08-00532	Bracket	1
11	2-00-00426	Flat Washer, .500 x .218 x .062	2
12	2-00-00518	Lock Washer, Helical Spring 1/4 Med.	2
13	2-00-00594	Nut, Hex MS #10-24 x .375 x .125	2
14	2-00-00519	Lock Washer, HS #10 Med.	2
15	2-00-00605	Nut, Hex MS #10-24 x .375 x .125	2
16	2-00-04749	Radial Locking Spring Pin .125 x 1.375	1
17	2-00-03059	Screw, #10-24 x .375 THM	2
18	8-11-00015	Terminal, .250 FISO	2
19	2-00-04578	Terminal, .156 Male	1

C1217/9609

**WIRING, ESP OPTION - EXPLODED VIEW**



C1217-1/9704



## SPARE PARTS - GAS/LP (VARIABLE DUMP) MACHINES

---

### OPTION NO. 0780-405

<u>KEY NO.</u>	<u>PART NUMBER</u>	<u>DESCRIPTION</u>	<u>QTY.</u>
<b>BROOM AND HOPPER COMPONENTS</b>			
	7-25-08036	Flap, Broom Chamber Front	1
	7-25-08032	Flap - Broom Chamber	1
	7-25-08034	Flap - Broom Chamber Rear Sides	2
	7-25-08033	Flap - Broom Door	2
	7-29-00226	Gasket - Brrrom Door	1
	7-25-08068	Flap - Hopper Lip	1
	7-68-05019	Seal Outer Door	1
<b>SQUEEGEE COMPONENTS</b>			
	7-77-00107	Rubber Rear Squeegee Outer	1
	7-77-00108	Rubber Side Squeegees	2
	7-77-00105	Rubber Rear Squeegee Inner	1
<b>FILTERS</b>			
	8-24-04106	Engine Air Cleaner Element	1
	7-24-04032	Hydraulic Return Filter Element	1
	7-24-04046	Rubber Rear Squeegee Inner	1
<b>ENGINE RELATED COMPONENTS</b>			
<b>Ford LSG gas/LPG Engine</b>			
	8-24-04128	Engine Oil Filter	1
	8-24-04138	Fuel Filter	1
	2-00-05334	Belt - Governor	1
	2-00-05335	Belt - Alternator	1

## SPARE PARTS - DIESEL (VARIABLE DUMP) MACHINE

---

OPTION NO. 0780-403

<u>KEY NO.</u>	<u>PART NUMBER</u>	<u>DESCRIPTION</u>	<u>QTY.</u>
<b>BROOM and HOPPER COMPONENTS</b>			
	7-25-08036	Flap - Broom Chamber Front	1
	7-25-08032	Flap - Broom Chamber	1
	7-25-08034	Flap - Broom Chamber Rear Sides	2
	7-25-08033	Flap - Broom Door	2
	7-29-00226	Gasket - Broom Door	4
	7-25-08068	Flap - Hooper Lip	1
	7-68-05019	Seal - Outer Door	1
<b>SQUEEGEE COMPONENTS</b>			
	7-77-00107	Rubber Rear Squeegee Outer	1
	7-77-00108	Rubber Side Squeegees	2
	7-77-00105	Rubber Rear Squeegee Inner	1
<b>FILTERS</b>			
	8-24-04106	Engine Air Cleaner Element	1
	7-24-04032	Hydraulic Return Filter Element	1
	7-24-04046	Hopper Panel Filter	1
<b>ENGINE RELATED COMPONENTS</b>			
<b>Ford Model 104.19 Diesel Engine</b>			
	2-60-02240	Engine Oil Filter	1
	2-60-02241	Fuel Filter	1
	2-60-02242	Belt - Alternator & Water Pump	1

## SPARE PARTS - GAS/LP (MANUAL DUMP) MACHINES

---

### OPTION NO. 0780-406

<u>KEY NO.</u>	<u>PART NUMBER</u>	<u>DESCRIPTION</u>	<u>QTY.</u>
<b>BROOM AND HOPPER COMPONENTS</b>			
	7-25-08052	Flap, Broom Chamber Front	1
	7-25-08051	Flap, Broom Chamber Upper	1
	8-25-08050	Flap, Hopper Lip	4
<b>SQUEEGEE COMPONENTS</b>			
	7-77-00107	Rubber Rear Squeegee Outer	1
	7-77-00108	Rubber Side Squeegees	2
	7-77-00105	Rubber Rear Squeegee Inner	1
<b>FILTERS</b>			
	8-24-04106	Engine Air Cleaner Element	1
	7-24-04032	Hydraulic Return Filter Element	1
<b>ENGINE RELATED COMPONENTS</b>			
<b>Ford LSG 423 GAS/LPG Engine</b>			
	8-24-04128	Engine Oil Filter	1
	8-24-04138	Fuel Filter	1
	2-00-05334	Belt - Governor	1
	2-00-05335	Belt - Alternator	1

## SPARE PARTS - DIESEL (MANUAL DUMP) MACHINES

---

OPTION NO. 0780-404

<u>KEY NO.</u>	<u>PART NUMBER</u>	<u>DESCRIPTION</u>	<u>QTY.</u>
<b>BROOM AND HOPPER COMPONENTS</b>			
	7-25-08052	Flap, Broom Chamber Front	1
	7-25-08051	Flap, Broom Chamber Upper	1
	8-25-08050	Flap, Hopper Lip	4
<b>REAR SQUEEGEE COMPONENTS</b>			
	7-77-00107	Rubber Rear Squeegee Outer	1
	7-77-00108	Rubber Side Squeegees	2
	7-77-00105	Rubber Rear Squeegee Inner	1
<b>FILTERS</b>			
	8-24-04106	Engine Air Cleaner Element	1
	7-24-04032	Hydraulic Return Filter Element	1
<b>ENGINE RELATED COMPONENTS</b>			
<b>Perkins Model 104.19 Diesel Engine</b>			
	2-60-00240	Engine Oil Filter	1
	2-60-02241	Fuel Filter	1
	2-60-02242	Belt -Alternator & Water Pump	1

## INDEX

---

ACCELERATOR & DIRECTIONAL CONTROL PEDAL .....	1-21
AIR FILTER .....	1-46
AIR FILTER ELEMENT, CLEANING THE .....	1-47
AIR FILTER ELEMENT, INSPECTING THE .....	1-48
AIR FILTER ELEMENT, REMOVING THE .....	1-47
AIR FILTER, REPLACING THE .....	1-46
AIR INTAKE - FORD .....	2-102
AIR INTAKE - PERKINS .....	2-104
AIR INTAKE SYSTEM .....	1-46
AUXILIARY PUMP AND FITTINGS FORD .....	2-86
AUXILIARY PUMP AND FITTINGS PERKINS .....	2-87
BACKUP ALARM SWITCH .....	1-21
BACK-UP ALARM OPTION .....	3-17
BATTERY .....	1-49, 2-88
BRAKE ADJUSTMENT .....	1-45
BRAKE LINKAGE .....	2-50
BROOM OPTIONS .....	3-16
BROOM AND BRUSH CHAMBER DOOR .....	2-10
BRUSH OPTIONS .....	3-12
BRUSH PRESSURE SWITCH .....	1-18
BRUSH ROTATION SWITCH .....	1-18
CASTER WHEEL ADJUSTMENT .....	1-44
CHECK ENGINE (WARNING LIGHT) .....	1-15
CHOKE .....	1-20
CLEANING OPERATION, BEGINNING THE .....	1-29
CLEANING OPERATION, ENDING THE .....	1-29
CONNECTION DIAGRAM, DIESEL (VARIABLE) .....	3-8
CONNECTION DIAGRAM, DIESEL (MANUAL) .....	3-10
CONNECTION DIAGRAM, GAS/LP (VARIABLE) .....	3-7
CONNECTION DIAGRAM, GAS/LP (MANUAL) .....	3-9
COOLANT LEVEL .....	1-48
COOLING SYSTEM .....	1-48
COVERS AND LATCHES .....	1-43
CYLINDER CONTROL VALVE AND FITTINGS .....	2-83
DEBRIS HOPPER, EMPTYING THE .....	1-32
DEBRIS BASKET OPTION .....	3-29
DECALS .....	2-124
DECIMAL - METRIC CONVERSION TABLE .....	1-11
DETERGENT FLOW KNOB .....	1-22
DETERGENT LOW WARNING LIGHT .....	1-22
DETERGENT & SOLUTION TANK, ESP OPTION .....	3-30
DIESEL FUEL AND WATER EXTRACTOR .....	2-100
DOUBLE LID RECOVERY TANK .....	1-31
DRIVE BELTS .....	1-49
DRIVE PUMP & FITTINGS .....	2-78
DRIVER COMPARTMENT .....	2-58
DUST CAP .....	1-48
DUST CONTROL IMPELLER AND FITTINGS .....	2-80
DUST CONTROL SWITCH .....	1-16
ELECTRICAL SCHEMATIC, DIESEL (MANUAL DUMP) .....	3-6
ELECTRICAL SCHEMATIC, DIESEL (VARIABLE DUMP) .....	3-4
ELECTRICAL SCHEMATIC, GAS/LP (MANUAL DUMP) .....	3-5

---

ELECTRICAL SCHEMATIC, GAS (VARIABLE DUMP) .....	3-3
ENGINE .....	1-40
ENGINE COVER.....	2-90
ENGINE COVER, OPENING THE .....	1-36
ENGINE, BEFORE STARTING THE .....	1-28
ENGINE SHUTDOWN OPTION, FORD .....	3-38
ENGINE SHUTDOWN OPTION, PERKINS .....	3-40
ENGINE, STARTING THE .....	1-28
ESP SYSTEM CONTROLS & OPERATION .....	1-22
ESP SYSTEM STORAGE .....	1-44
EXHAUST SYSTEM, DIESEL - PERKINS .....	2-107
EXHAUST SYSTEM, GAS AND LP - FORD .....	2-106
FILTER SHAKER SWITCH .....	1-16
FIRE EXTINGUISHER OPTION .....	3-26
FLAME ARRESTING GAS CAP OPTION .....	3-27
FLAPS .....	1-42
FOOT BRAKE .....	1-20
FORD 425 ENGINE .....	2-94
FORD 425 WIRING (VARIABLE).....	2-116
FORD 425 WIRING (MANUAL) .....	2-120
FORWARD/REVERSE CONTROL - FORD.....	2-52
FORWARD/REVERSE CONTROL - PERKINS .....	2-54
FRONT WHEEL AND BRAKE .....	2-46
FUEL GAUGE .....	1-17
FUEL TANK .....	2-92
FUNCTION OF CONTROLS .....	1-14
GAS TANK .....	1-49
GENERAL TROUBLESHOOTING .....	1-52
GLOW PLUG SWITCH .....	1-15
HELPFUL HINTS FOR CLEANING OPERATION .....	1-35
HIGH RECOVERY WARNING LIGHT .....	1-18
HOPPER AND FLAPS - VARIABLE DUMP .....	2-14
HOPPER CONTROL VALVE & HOPPER DUMP LINKAGE - VARIABLE .....	2-18
HOPPER DUMP DOOR.....	1-19
HOPPER FILTER AND IMPELLOR .....	2-16
HOPPER LIFT .....	1-19
HOPPER SAFETY LOCK ARM .....	1-22
HOPPER SYSTEM (MANUAL DUMP) .....	2-12
HORN PUSH BUTTON .....	1-15
HOUR METER .....	1-17
HYDRAULIC HOSE SYSTEM - (MANUAL DUMP) .....	2-62
HYDRAULIC HOSE SYSTEM - (VARIABLE DUMP) .....	2-60
HYDRAULIC RESERVOIR, FILLING THE.....	1-37
HYDRAULIC RESERVOIR, FILTER & FITTINGS .....	2-76
HYDRAULIC SCHEMATIC (MANUAL DUMP) .....	1-39
HYDRAULIC SCHEMATIC (VARIABLE DUMP) .....	1-38
HYDRAULIC SYSTEM, CLEANING THE .....	1-37
HYDRAULIC TORQUE REQUIREMENTS .....	1-10
HYDRAULICS .....	1-37
IGNITION SWITCH .....	1-14
INDEX .....	3-54
INSTRUMENT PANEL .....	2-112

---

## INDEX

---

INSTRUMENT PANEL, ESP OPTION .....	3-46
INSTRUMENT PANEL (MANUAL DUMP).....	2-114
LIGHTS OPTION .....	3-18
LIGHT SWITCH .....	1-14
LOW SOLUTION WARNING LIGHT .....	1-18
LP FORD ENGINE .....	3-36
LP GAS FUEL TANK .....	1-50
LP GAS SYSTEM .....	1-50
LP GAS VAPORIZER-REGULATOR QUICK CHECK .....	1-50
LP TANK SYSTEM OPTION .....	3-34
LUBRICATION .....	1-36
MACHINE DIMENSIONS .....	1-8
MACHINE MAINTENANCE .....	1-36
MAIN BROOM .....	2-2
MAIN BROOM AND FITTINGS.....	2-68
MAIN BROOM LEVEL ADJUSTMENT .....	1-41
MAIN BROOM LIFT LINKAGE .....	2-6
MAIN BROOM REMOVAL .....	1-40
MAIN BROOM SWITCH .....	1-16
MAIN BROOM WEAR PATTERN, ADJUSTING THE .....	1-41
MAIN CONTROL VALVE AND FITTINGS.....	2-82
MAIN FRAME.....	2-56
MANUAL DUMP HOPPER.....	1-19
NEUTRAL ADJUSTMENT.....	1-50
NON-RECYCLING SCRUBBING SYSTEM, HOW IT WORKS .....	1-23
OIL COOLER .....	1-31
OIL COOLER & FITTINGS .....	2-85
OIL PRESSURE GAUGE .....	1-17
OPERATING INSTRUCTIONS .....	1-28
ORDERING PARTS .....	1-55
OVERHEAD GUARD OPTION .....	3-11
PARKING BRAKE .....	1-20
PARTS LEGEND .....	1-51
PARTS LIST .....	1-56
PERKINS DIESEL ENGINE .....	2-96
PERKINS WIRING (MANUAL DUMP) .....	2-122
PERKINS WIRING (VARIABLE DUMP) .....	2-118
POST OPERATION CHECKLIST .....	1-30
POST START CHECKLIST .....	1-29
POWER STEERING UNIT AND FITTINGS.....	2-81
POWER STEERING, HOPPER DUMP & HOPPER LIFT CYL'S. & FITTINGS.....	2-72
PRE-START CHECKLIST .....	1-28
PREPARING THE MACHINE FOR OPERATION .....	1-12
RADIATOR .....	1-48
RADIATOR AND SHROUD .....	2-108
REAR AND SIDE SQUEEGEES .....	2-26
REAR WHEEL .....	2-48
REAR WHEEL MOTOR & FITTINGS .....	2-74
REAR SQUEEGEE .....	1-44
RECOVERY OR ESP SYSTEM, HOW IT WORKS .....	1-24

---

RECOVERY TANK & DETERGENT PUMP, ESP OPTION .....	3-32
RECOVERY TANK .....	2-40
RECOVERY TANK LID .....	2-42
RECOVERY TANK LID ACCESS .....	1-44
RECOVERY TANK, CLEANING THE .....	1-31
RECOVERY TANK, DRAINING THE .....	1-31
RECOVERY WARNING LIGHT .....	1-43
RECYCLING PUMP ESP SYSTEM .....	1-44
RETURN FILTER ELEMENT REPLACEMENT .....	1-37
RETURN MANIFOLD AND FITTINGS .....	2-84
SAFETY AIR CLEANER .....	3-28
SAFETY INSTRUCTIONS .....	1-13
SCHEMATIC DIAGRAM OPTIONS .....	1-54
SCRUB BRUSH REPLACEMENT .....	1-43
SCRUB BRUSHES SWITCH .....	1-17
SCRUB DECK AND BRUSHES .....	2-20
SCRUB DECK AND BRUSHES (60") .....	2-22
SCRUB DECK SOLUTION FEED (60") .....	2-24
SCRUB MOTORS & FITTINGS .....	2-70
SCRUBBING SYSTEM, HOW IT WORKS .....	1-23
SEAT ADJUSTMENT .....	1-21
SERVICE CHART .....	1-33
SIDE BROOM (VARIABLE DUMP) .....	2-8
SIDE BROOM AND FITTINGS .....	2-69
SIDE BROOM LEVEL ADJUSTMENT .....	1-41
SIDE BROOM LIFT LEVER .....	1-15
SIDE BROOM OPTION (MANUAL DUMP) .....	3-14
SIDE BROOM REPLACEMENT .....	1-41
SIDE BROOM SWITCH .....	1-16
SOLUTION CONTROL .....	1-19
SOLUTION CONTROL - ESP .....	1-43
SOLUTION CONTROL - STANDARD .....	1-43
SOLUTION FEED LINKAGE .....	2-38
SOLUTION HIGH WARNING LIGHT .....	1-22
SOLUTION TANK .....	2-34
SOLUTION TANK, CLEANING THE .....	1-30
SOLUTION TANK, DRAINING THE .....	1-30
SOLUTION TANK, FILLING THE (ESP) .....	1-28
SOLUTION TANK, FILLING THE (STANDARD) .....	1-28
SOLUTION WARNING LIGHT .....	1-43
SPARE PARTS KIT, DIESEL (MANUAL DUMP) .....	3-53
SPARE PARTS KIT, DIESEL (VARIABLE DUMP) .....	3-51
SPARE PARTS KIT, GAS/LP (MANUAL DUMP) .....	3-52
SPARE PARTS KIT, GAS/LP (VARIABLE DUMP) .....	3-50
SPECIFICATIONS .....	1-6
SQUEEGEE AND SCRUB DECK CYLINDERS & FITTINGS .....	2-71
SQUEEGEE BLADE SWITCH .....	1-18
SQUEEGEE CASTER WHEELS .....	1-44
SQUEEGEE LIFT .....	2-30
STANDARD HARDWARE & TORQUE VALUES .....	1-9
STEERING AND INSTRUMENT PANEL .....	2-110
SUCTION & RETURN HOSES (MANUAL DUMP) .....	2-66
SUCTION & RETURN HOSES (VARIABLE DUMP) .....	2-64
SUSPENSION SEAT, OPTION .....	3-42
SWEEPING & DUST CONTROL SYSTEM, HOW IT WORKS .....	1-26

---



## INDEX

---

SWEEPING BROOM LIFT .....	1-19
SWING SQUEEGEE SUPPORT .....	2-32
THROTTLE .....	1-20
THROTTLE CHOKE & FUEL PUMP .....	2-98
TIRE OPTIONS .....	3-43
TOWING INSTRUCTIONS .....	1-32
TRANSPORTING THE .....	1-29
TURN SIGNAL (OPTION).....	1-20, 3-20
VACUUM WAND OPTION .....	3-44
VACUUM MOTOR & FITTINGS .....	2-79
VACUUM MOTOR & FLOAT .....	2-44
VOLT METER .....	1-17
WARNING LIGHTS (STANDARD).....	3-22
WARNING LIGHTS with OVERHEAD GUARD .....	3-24
WARRANTY .....	3-59
WATER TEMPERATURE GAUGE .....	1-17
WET SWEEP BYPASS .....	3-45
WIRING, ESP OPTION .....	3-48