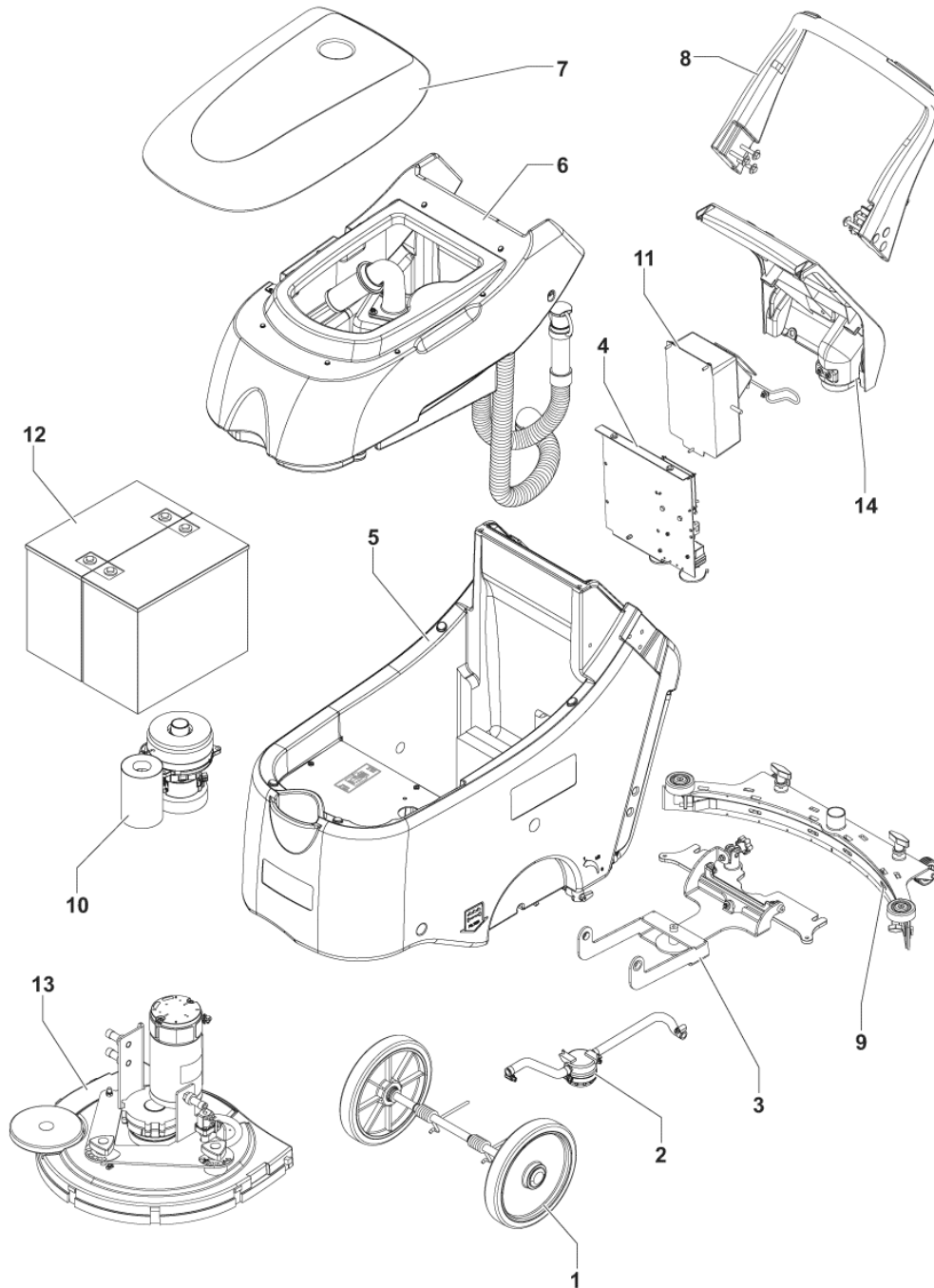


TABLE OF CONTENTS

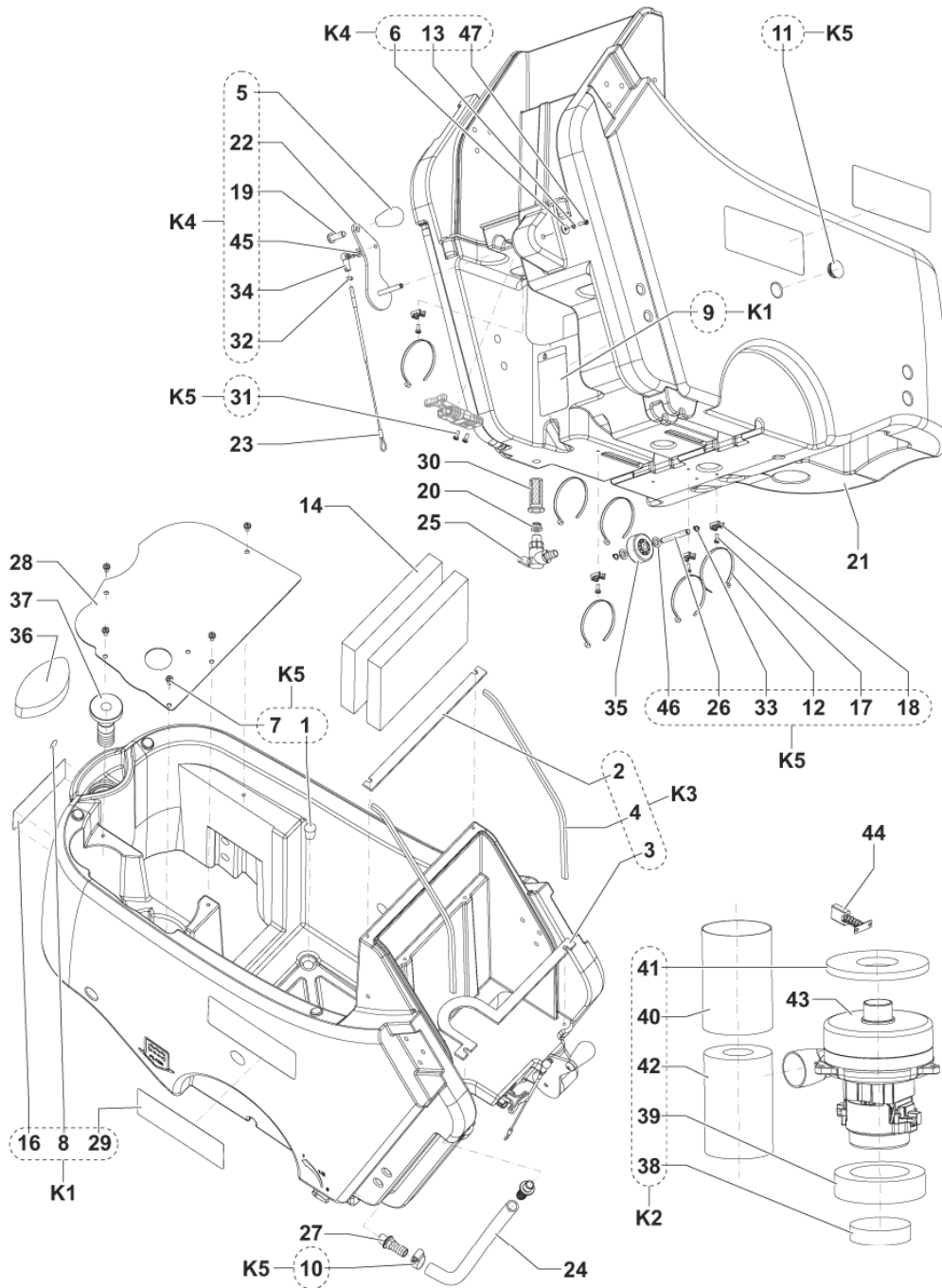
GENERAL SYSTEM.....	1
SOLUTION TANK.....	3
RECOVERY TANK.....	5
HANDLE BAR AND WHEELS.....	7
SOLUTION SYSTEM.....	9
SQUEEGEE SYSTEM.....	11
BRUSH DECK.....	13
CONTROL PANEL.....	15
ELECTRICAL COMPONENTS.....	17
BATTERY CHARGER.....	19
ACCESSORIES.....	21
WIRING DIAGRAM.....	23
RECOMMENDED PARTS.....	25



Pos.	Artikel-Nr.	Menge	Variante	Notes
1		1	WHEELS ASSEMBLY	[1]
2		1	SOLUTION SYSTEM ASSEMBLY	[2]
3		1	SQUEEGEE HOLDER ASSEMBLY	[3]
4		1	ELECTRONIC BOX ASSEMBLY	[4]
5		1	SOLUTION TANK ASSEMBLY	[5]
6		1	RECOVERY TANK ASSEMBLY	[6]
7		1	COVER TANK ASSEMBLY	[7]
8		1	HANDLE BAR ASSEMBLY	[8]
9		1	SQUEEGEE ASSEMBLY	[3]
10		1	VACUUM ASSEMBLY	[9]
11		1	CHARGER ASSEMBLY	[10]
12	80564400	2	Batterie 12 V 105 Ah GelBATTERIES	
13		1	BRUSH DECK ASSEMBLY	[11]
14		1	CONTROL PANEL ASSEMBLY	[12]

Part Notes:

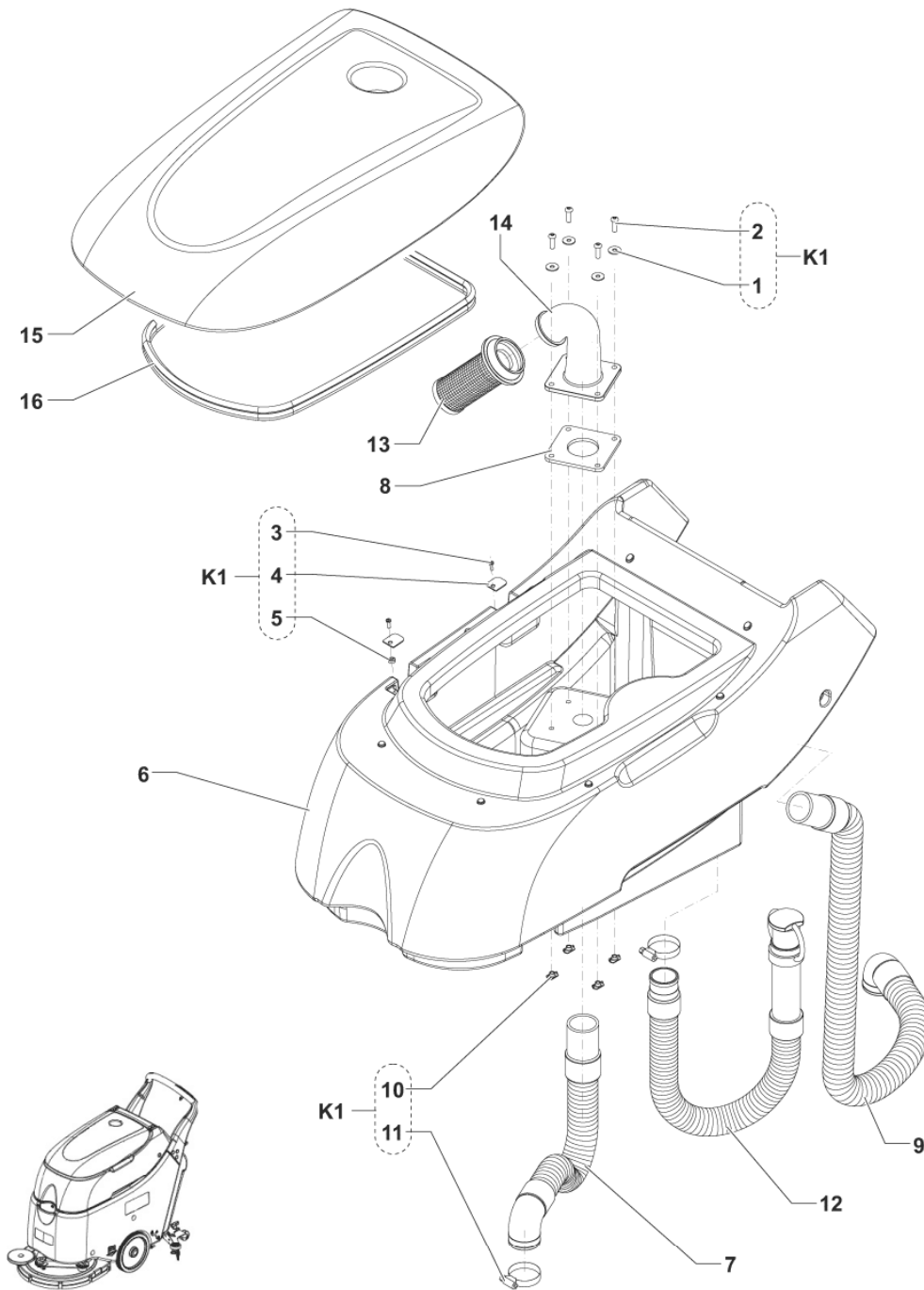
- [1] - WHEELS
- [2] - SOLUTION SYSTEM
- [3] - SQUEEGEE SYSTEM
- [4] - ELECTRICAL COMPONENTS
- [5] - SOLUTION TANK
- [6] - RECOVERY TANK
- [7] - COVER TANK
- [8] - HANDLE BAR
- [9] - VACUUM
- [10] - BATTERY CHARGER
- [11] - BRUSH DECK
- [12] - CONTROL PANEL



Pos.	Artikel-Nr.	Menge	Variante	Notes
5	909 6621 000	1	Knopf BR 611	
14	146 0668 000	2	Isolierplatte	
20	909 5286 000	1	Dichtung BA 430S	
21	9100000567	1	TANK SOLUTION BLUE PKD	
23	9099258000	1	CABLE SQUEEGEE LIFTING	
24	9099261000	1	HOSE SOLUTION	
25	9099513000	1	VALVE ELBOW 90. D.13MM	
27	9100000766	2	HOLDER RUBBER D.16 G3/8 PKD	
28	9100000168	1	PLATE VACUUM MOTOR	
30	9096916000	1	Frischwasserfilter BA 410	[1]
35	9099953000	1	WHEEL D.50	
36	9099561000	1	SPONGE WATER ENTRANCE	
37	9097290000	1	Frischwasserfüllschlauchzu BA 600	[1]
38	909 6672 000	1	Filter	
43	9099922000	1	MOTOR VACUUM 330W 24V KIT	
44	909 5371 000	2	Kohlebürste	
K1	9100000468	1	DECALS SCRUBTEC 453 KIT	
K2	9099310000	1	GASKETS VACUUM MOTOR KIT	
K3	9099311000	1	GASKETS KIT	
K4	9100000767	1	LEVER SQUEEGEE LIFTING KIT	
K5	9100000768	1	HARDWARE SOLUTION TANK KIT	

Part Notes:

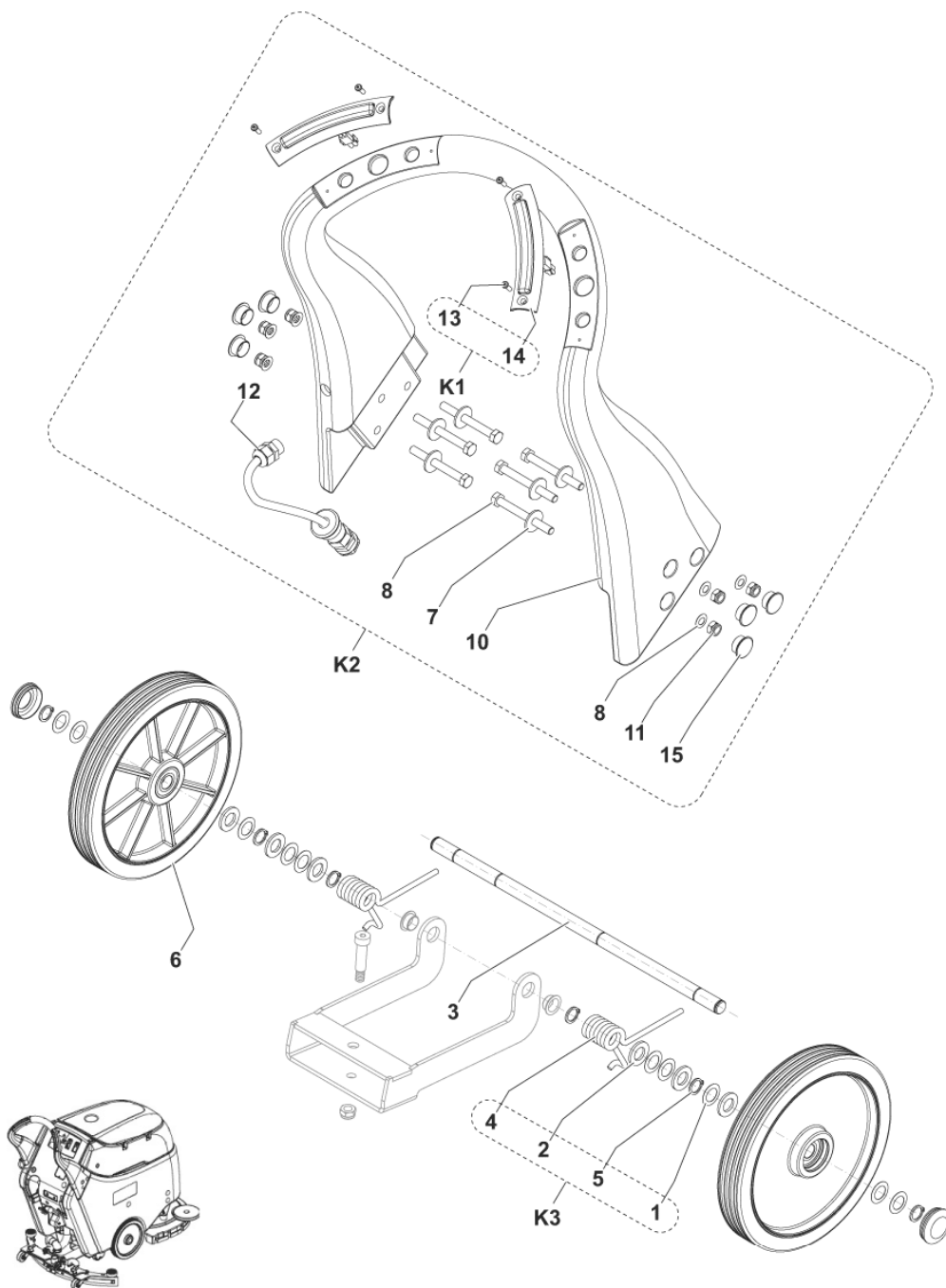
[1] - OPTION



Pos.	Artikel-Nr.	Menge	Variante	Notes
6	9100000568	1	TANK RECOVERY BLUE PKD	
7	9099255000	1	HOSE VACUUM MOTOR	
8	9099276000	1	GASKET FLOAT CAGE HOLDER	[1]
9	9099281000	1	HOSE SUCTION	
12	9099692000	1	Ablassschlauch	
13	9099559000	1	FLOAT SHUT OFF	
14	9099558000	1	ELBOW FLOAT HOLDER	
15	9100000569	1	COVER TANK BLUE PKD	
16	9099342000	1	GASKET BULB RUBBER L.1350MM PKD	
17	909 5065 000		Filter anti Schaumzu BR Maschinen	[2]
K1	9099313000	1	HARDWARE RECOVERY TANK KIT	

Part Notes:

- [1] - ODM 5843
- [2] - OPTION - NOT SHOWN



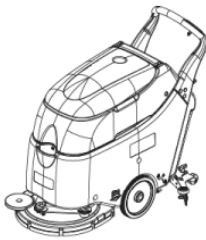
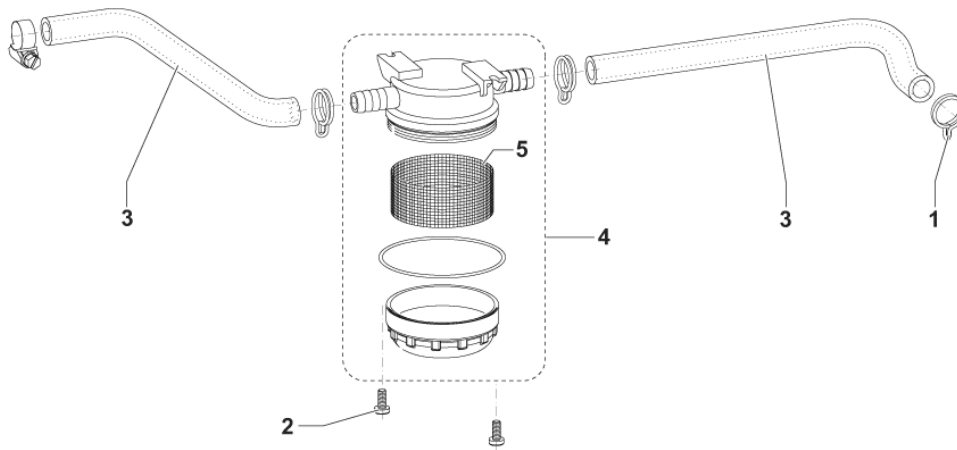
HANDLE BAR AND WHEELS

SCRUBTEC 453 B ALT

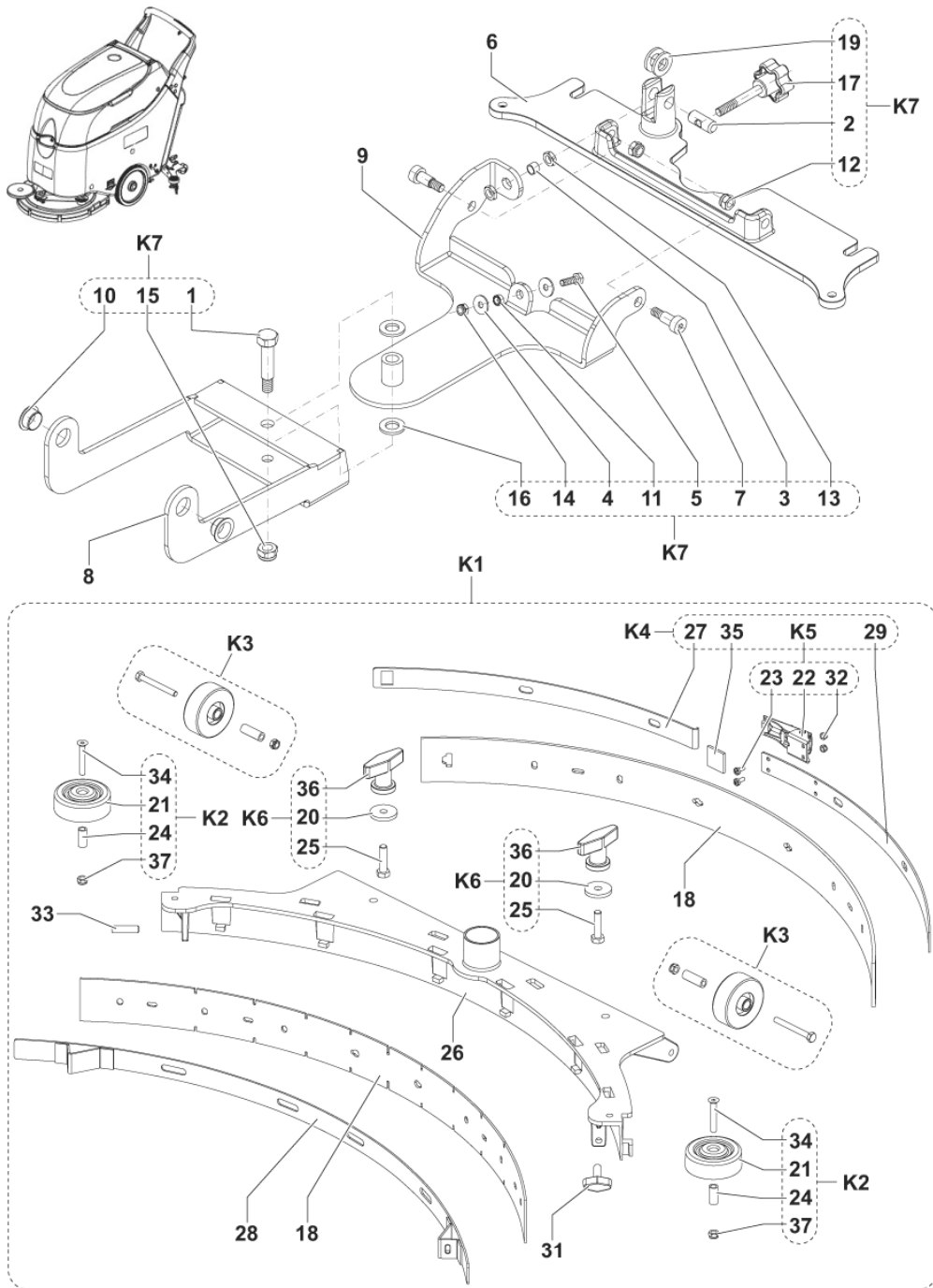
2014.04.17

2014.04.29

Pos.	Artikel-Nr.	Menge	Variante	Notes
3	9099256000	1	SHAFT WHEELS	
6	9099270000	2	WHEEL D.254	
10	9100000629	1	HANDLE BAR BLUE PKD	
12	9100000565	1	HARNESS HANDLE BAR PKD	
K1	9100000467	1	Schalter komplett gelb f	
K2	9100000426	1	HANDLE BAR BLUE KIT	
K3	9100000566	1	HARDWARE WHEELS KIT	



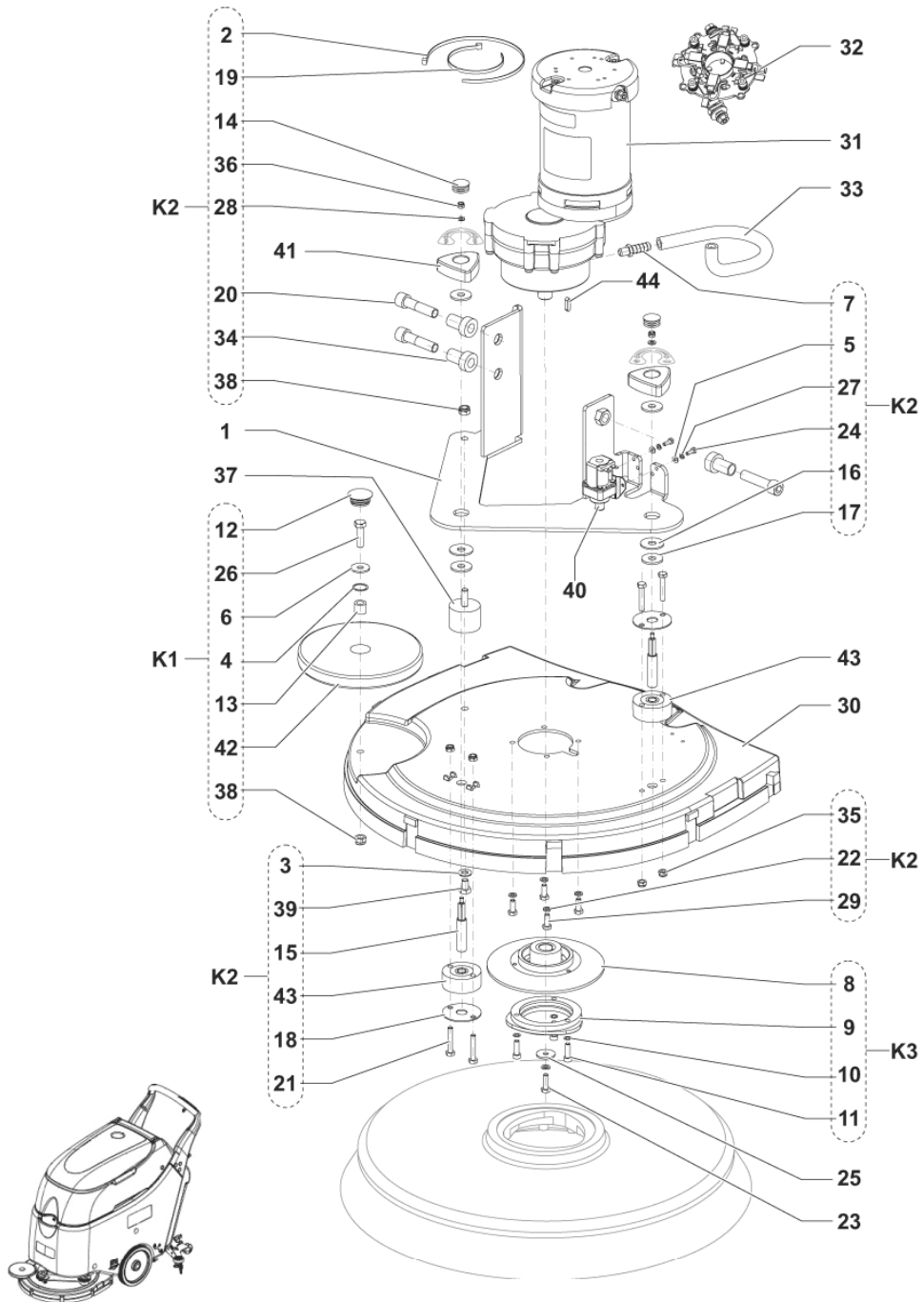
Pos.	Artikel-Nr.	Menge	Variante	Notes
1	9100000511	4	CLAMPS F SOLUTION SYSTEM KIT	
2	909 5009 000	2	SCREW M5X12 PAN HD PHIL SS ISO7045	
3	9099337000	2	HOSE D.12 KIT	
4	9100000362	1	FILTER WATER	
5	9099481000	1	NET WATER FILTER REINFORCED	



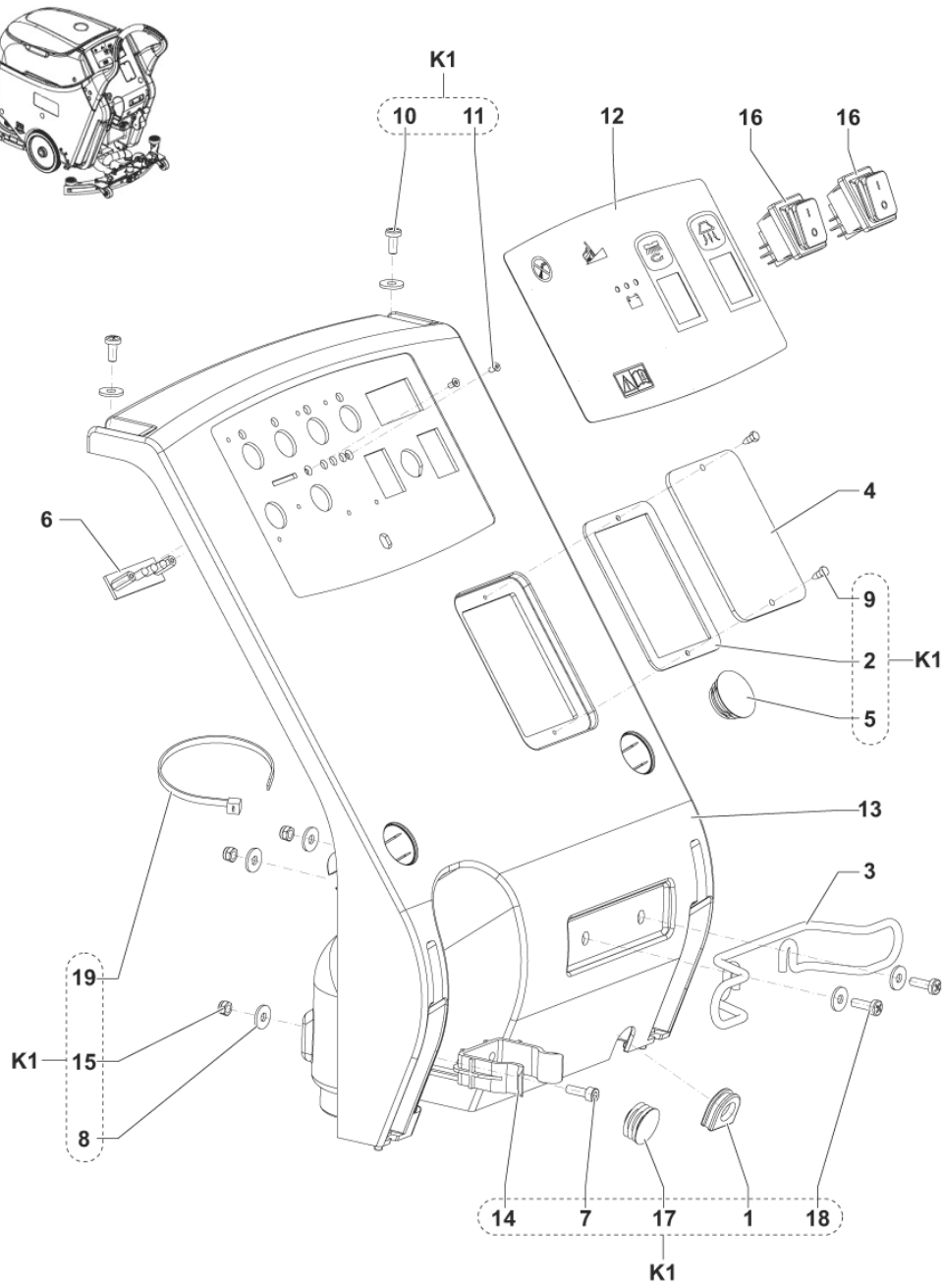
Pos.	Artikel-Nr.	Menge	Variante	Notes
6	909 6045 000	1	Saugfusshalter	
8	9100000509	1	SUPPORT FRONT F SQUEEGEE PKD	
9	9100000510	1	SUPPORT REAR F SQUEEGEE PKD	
18	9100000279	1	Gummilippen 740mm/29	
18	909 6858 000	1	Sauglippenset Polyurethan	[1]
26	909 6044 000	1	Saugbalken	
28	909 6055 000	1	Halteband f. Gummilippe	
31	909 6551 000	1	Griffschraube BA 451	
33	909 6600 000	1	Schraube M8X30 UNI5929 SS	
K1	909 6851 000	1	Saugfuß Kit komplett	
K2	909 6884 000	1	Abweisrollenkit BA 451	
K3	909 6883 000	1	Stützrad zu BA 451	
K4	909 6882 000	1	Befestigungskit	
K5	909 6394 000	1	Verschluss BA 451	
K6	9097637000	1	Befestigungskit BA 551	
K7	9099322000	1	HARDWARE SQUEEGEE SUPPORT KIT	

Part Notes:

[1] - OPTION



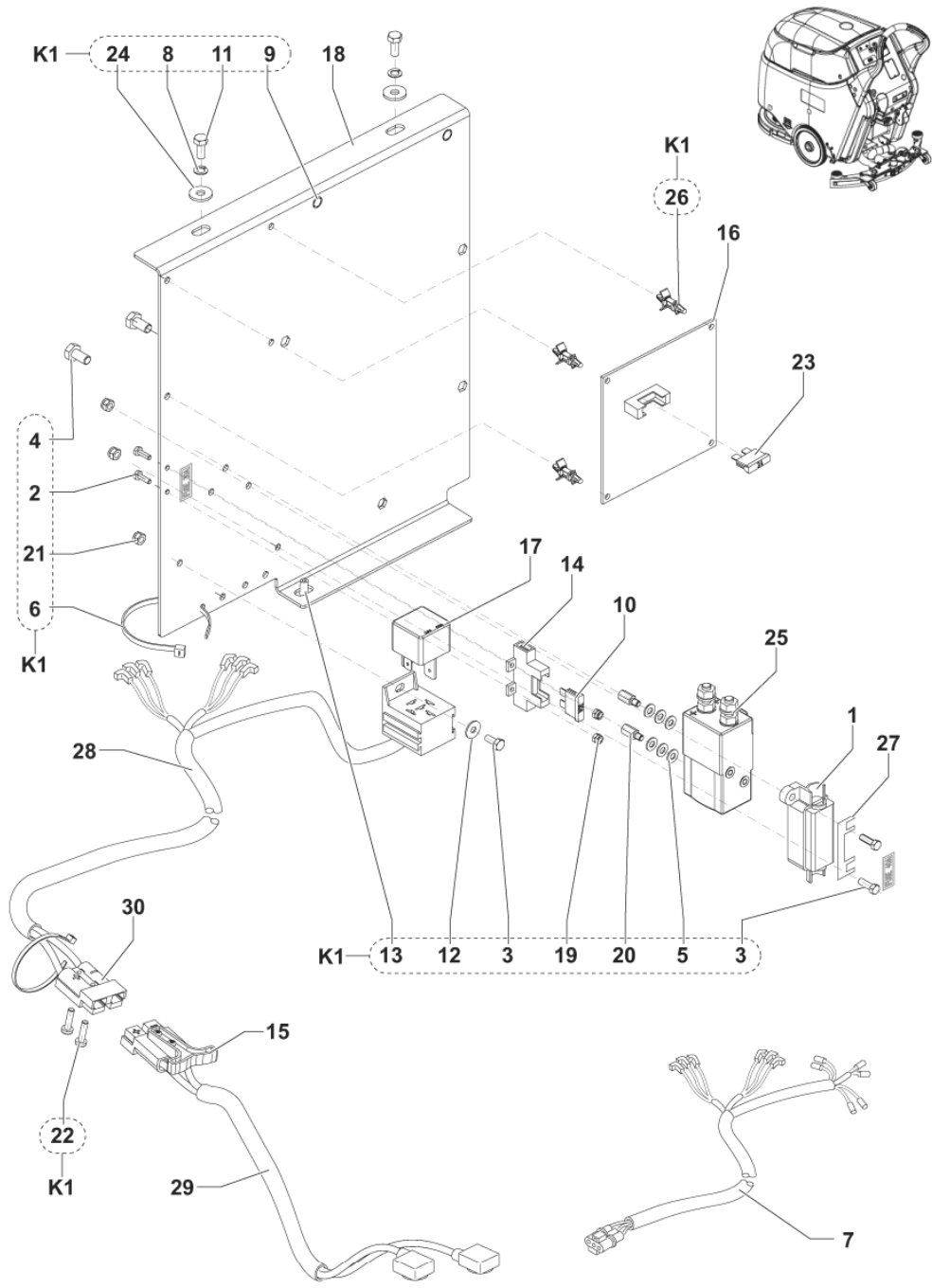
Pos.	Artikel-Nr.	Menge	Variante	Notes
1	9100000572	1	PLATE BLACK BRUSH DECK HOLDER PKD	
8	L08812306	1	Bürstenbüchse zu Getriebe	
9	L08812480	1	Polygonaufnahme	
23	145 0492 000	1	Schraube Te M 6x25 INOX	
25	145 0493 000	1	Unterlegscheibe 6x24	
30	9097078000	1	Bürstenabdeckung schwarz	
31	9100000454	1	REDUCTION GEARMOTOR 480W 24V KIT	
32	9100000421	1	CARBON BRUSHES W/HOLDER KIT	
33	9099341000	1	HOSE POLYESTER REINF. D.10 L.250 KIT	
37	9097184000	1	Vibrationsdämpfer M8	
40	9099563000	1	SOLENOID VALVE 24V	
41	L08812203	2	Rändelmutter zu BA 530	
43	L08812213	2	Distanzstück zu BA 530	
44	145 9774 000	1	Keil 5x5x20	
K1	909 6887 000	1	Abweisrollenkit	
K2	9099326000	1	HARDWARE BRUSH DECK KIT	
K3	L08812589	1	Polygonaufnahme kpl.	



Pos.	Artikel-Nr.	Menge	Variante	Notes
3	909 5149 000	1	Halter	
4	909 5313 000	1	Platte	[1]
6	L08812909	1	Elektronikkarte LEDzu BA 600/S	
12	9100000571	1	DECAL CONTROL PANEL SCRUBTEC 453 PKD	
13	9100000570	1	COVER BLUE F ELECTRIC COMPONENTS PKD	
16	107404540	2	Schalter	
K1	9099327000	1	HARDWARE CONTROL PANEL BA KIT	

Part Notes:

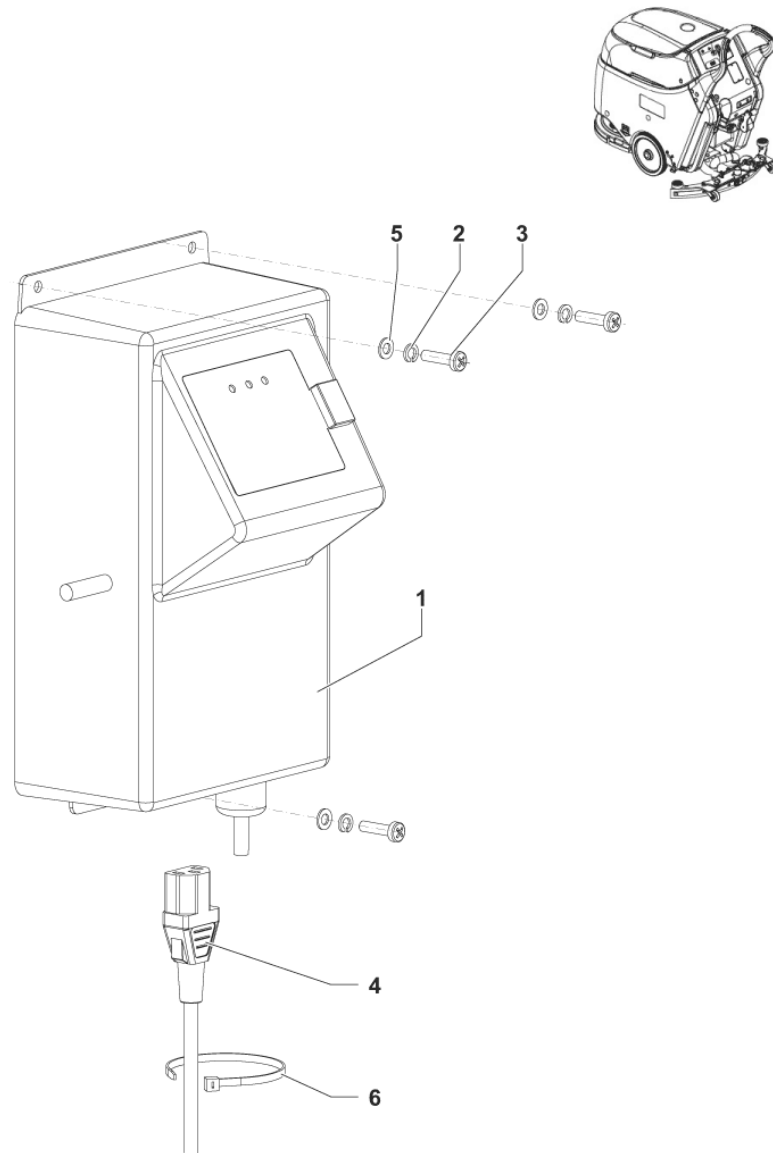
[1] - 9100001064



Pos.	Artikel-Nr.	Menge	Variante	Notes
1	145 8046 000	1	SicherungshalterG11-05000	
7	9099268000	1	HARNESS MACHINE	
10	145 8513 000	1	FUSE BLADE 30A UL	
14	146 0660 000	1	Halter zu Sicherung BA-	
15	1464116000	1	Handgriff	
16	909 5098 000	1	Elektronikkarte BA 430/S	
17	909 6622 000	1	Relais 24 V 40 A	
18	909 6498 000	1	Support Electric	[1]
23	145 9852 000	1	FUSE BLADE 5A UL	
25	146 0719 000	1	Schütz 24V	
27	145 3824 000	1	Sicherung 40 A	
27	9100000778	1	FUSE STRIP 30A KIT	[2]
28	9099291000	1	HARNESS ELECTRIC COMP. BOX	
29	L08603889	1	HARNESS BATTERY	
30	9098761000	2	Stecker 50A. rot	
K1	9099328000	1	HARDWARE ELECTRIC COMP. KIT	

Part Notes:

- [1] - COMPLEXITY REDUCTION
 [2] - INST. INSTR. 9100000777



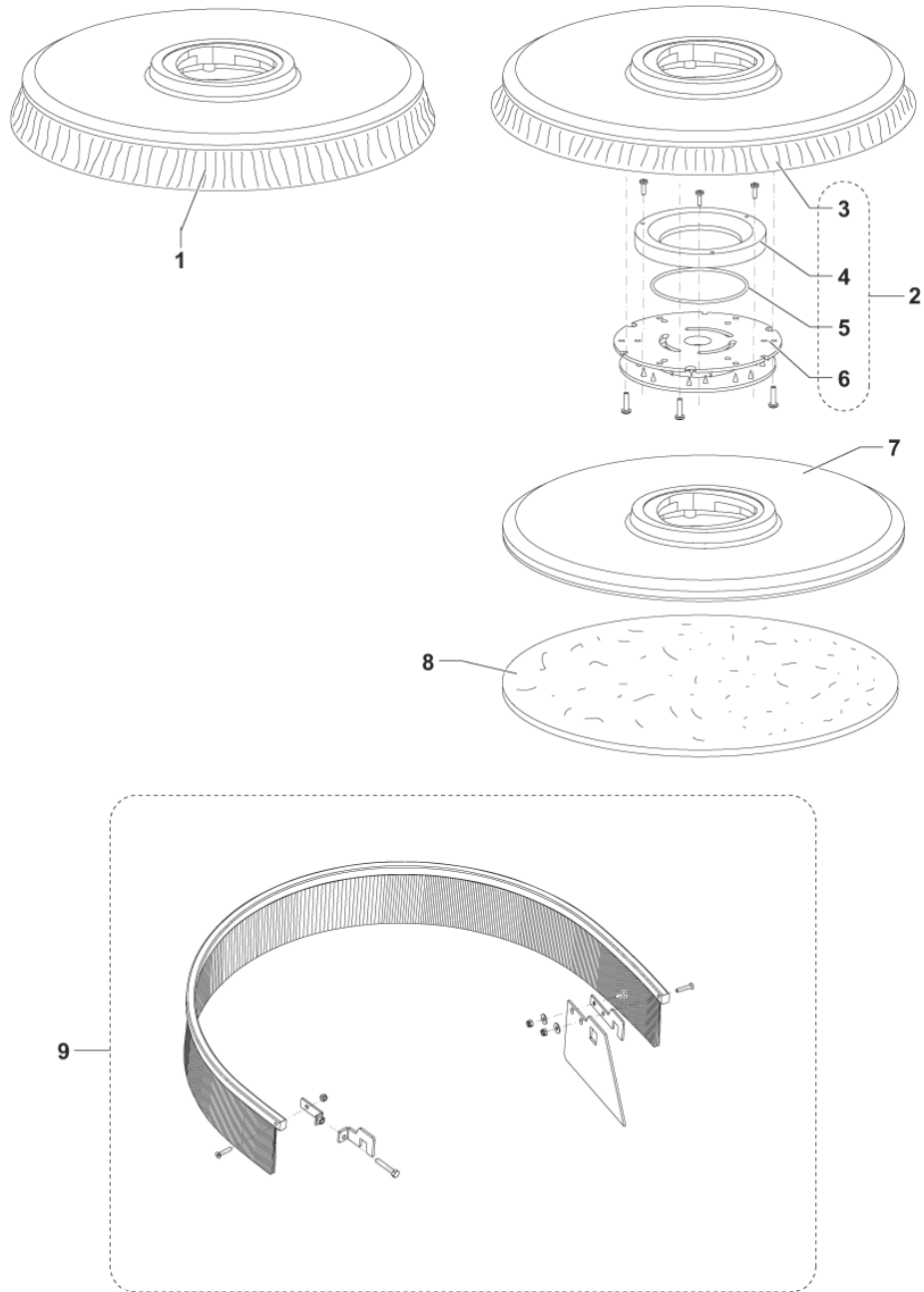
BATTERY CHARGER

SCRUBTEC 453 B ALT

2014.04.17

2014.04.29

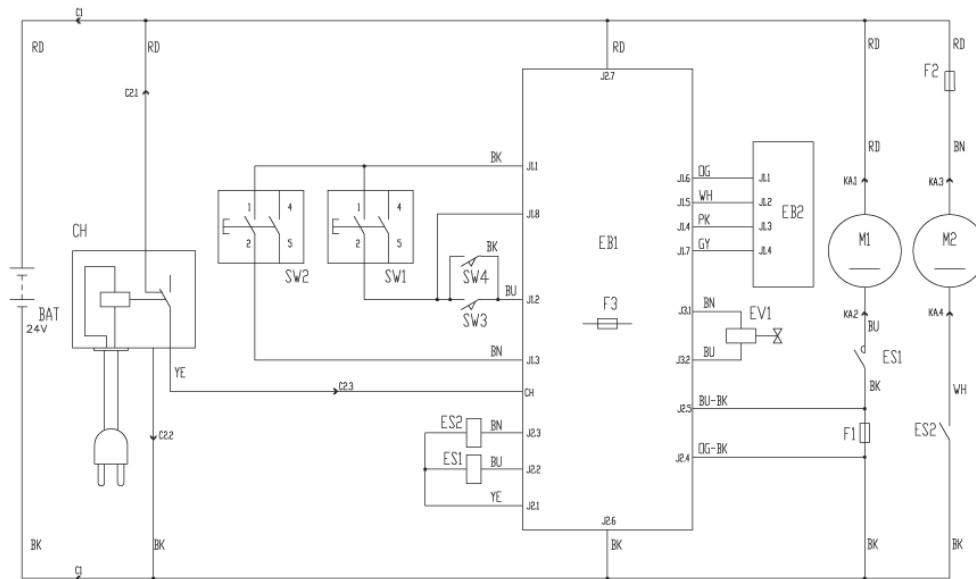
Pos.	Artikel-Nr.	Menge	Variante	Notes
1	9098297000	1	Einbauladegerät 24VBA 551	
4	909 5633 000	1	Netzkabel GerätesteckdoseSW 750	
4	909 5676 000	1	Kabel Ex. Plug	



Pos.	Artikel-Nr.	Menge	Variante	Notes
1	L08837025	1	Bürste PPN mittel 530mm	[1]
1	L08837026	1	Bürste PPN weich 530mm	[1]
1	L08837027	1	BRUSH UNION MIX 530MM	[1]
1	L08837028	1	Bürste Midlite 530	[1]
1	L08837029	1	Bürste Sica mittel 530mm	[1]
1	L08837065	1	Bürste Magna Grit 46	[1]
1	L08837066	1	Bürste Dyna Grit 80	[1]
1	L08837067	1	BRUSH ASLIDEE GRIT 500	[1]
4	L08603966	1	Nylon Ring	
5	L08603965	1	SEAL O-RING	
6	L08837030	1	RETAINER PAD	
7	9099671000	1	Padhalter 21" 530mm	[1]
7	L08837018	1	Padhalter 530mm	[1]
8	10001955	1	PAD 20 505MM ECO BLACK 5PCS	[1]
8	10001956	1	PAD 20 505MM ECO BLUE 5PCS	[1]
8	10001957	1	Eco Pad 20, 505mm, braun	[1]
8	10001958	1	Eco Pad 20, 505mm, grün	[1]
8	10001959	1	PAD 20 505MM ECO ROT	[1]
8	10001960	1	PAD 20 505MM ECO WEISS	[1]
8	10002348	1	PAD 20 500MM ECO BRILLIANCE RED 2PCS	[1]
8	10002349	1	Diamant Pad 20 508mm weiß	[1]
8	10002350	1	Diamant Pad 20 508mm gelb	[1]
8	10002351	1	Diamant Pad 20 508mm grün	[1]
9	909 6736 000	1	Spritzschutz BA 531-551	[2]

Part Notes:

- [1] - OPTION
 [2] - OPTION - INST. INSTRUCTION 909 6745 000



Pos.	Artikel-Nr.	Menge	Variante	Notes
BAT				
C1	9098761000		Stecker 50A. rot	
C2				
CH	9098297000		Einbauladegerät 24VBA 551	
EB1	9099967000		CARD ELECTRONIC KIT	
EB2	L08812909		Elektronikkarte LEDzu BA 600/S	
ES1	146 0719 000		Schütz 24V	
ES2	909 6622 000		Relais 24 V 40 A	
EV1	9099563000		SOLENOID VALVE 24V	
F1	145 3824 000		Sicherung 40 A	
F2	145 8513 000		FUSE BLADE 30A UL	
F3	145 9852 000		FUSE BLADE 5A UL	
M1	9100000454		REDUCTION GEARMOTOR 480W 24V KIT	
M2	9099922000		MOTOR VACUUM 330W 24V KIT	
SW1	107404540		Schalter	
SW2	107404540		Schalter	
SW3-4	9100000467		Schalter komplett gelb f	

RECOMMENDED PARTS

SCRUBTEC 453 B ALT

2013.10.14

2014.09.05

RECOMMENDED PARTS

SCRUBTEC 453 B ALT

2013.10.14

2014.09.05

Pos.	Artikel-Nr.	Menge	Variante	Notes
N W	909 5371 000	1	Kohlebürste	
N W	9100000279	1	Gummilippen 740mm/29	
N W	L08837025	1	Bürste PPN mittel 530mm	
N W	9100000421	1	CARBON BRUSHES W/HOLDER KIT	
N W	909 6736 000	1	Spritzschutz BA 531-551	
O M	9099258000	1	CABLE SQUEEGEE LIFTING	
O M	9099953000	1	WHEEL D.50	
O M	9099922000	1	MOTOR VACUUM 330W 24V KIT	
O M	9099255000	1	HOSE VACUUM MOTOR	
O M	9099281000	1	HOSE SUCTION	
O M	9099692000	1	Ablassschlauch	
O M	9099342000	1	GASKET BULB RUBBER L.1350MM PKD	
O M	9099270000	2	WHEEL D.254	
O M	9100000362	1	FILTER WATER	
O M	9099481000	1	NET WATER FILTER REINFORCED	
O M	9100000454	1	REDUCTION GEARMOTOR 480W 24V KIT	
O M	9099563000	1	SOLENOID VALVE 24V	
O M	9097184000	1	Vibrationsdämpfer M8	
O M	9099671000	1	Padhalter 21" 530mm	
O M	L08837018	1	Padhalter 530mm	
O M	9099310000	1	GASKETS VACUUM MOTOR KIT	
O M	9099311000	1	GASKETS KIT	
O M	9099513000	1	VALVE ELBOW 90. D.13MM	
E O M	9100000467	1	Schalter komplett gelb f	
E O M	9100000571	1	DECAL CONTROL PANEL SCRUBTEC 453 PKD	
E O M	107404540	2	Schalter	
E O M	145 8513 000	1	FUSE BLADE 30A UL	
E O M	9099967000	1	CARD ELECTRONIC KIT	
E O M	909 6622 000	1	Relais 24 V 40 A	
E O M	146 0719 000	1	Schütz 24V	
E O M	145 3824 000	1	Sicherung 40 A	
E O M	9099291000	1	HARNESS ELECTRIC COMP. BOX	
E O M	9098761000	2	Stecker 50A. rot	
E O M	9099268000	1	HARNESS MACHINE	
E O M	145 9852 000	1	FUSE BLADE 5A UL	
E O M	9098297000	1	Einbauladegerät 24VBA 551	
E O M	909 6887 000	1	Abweisrollenkit	

