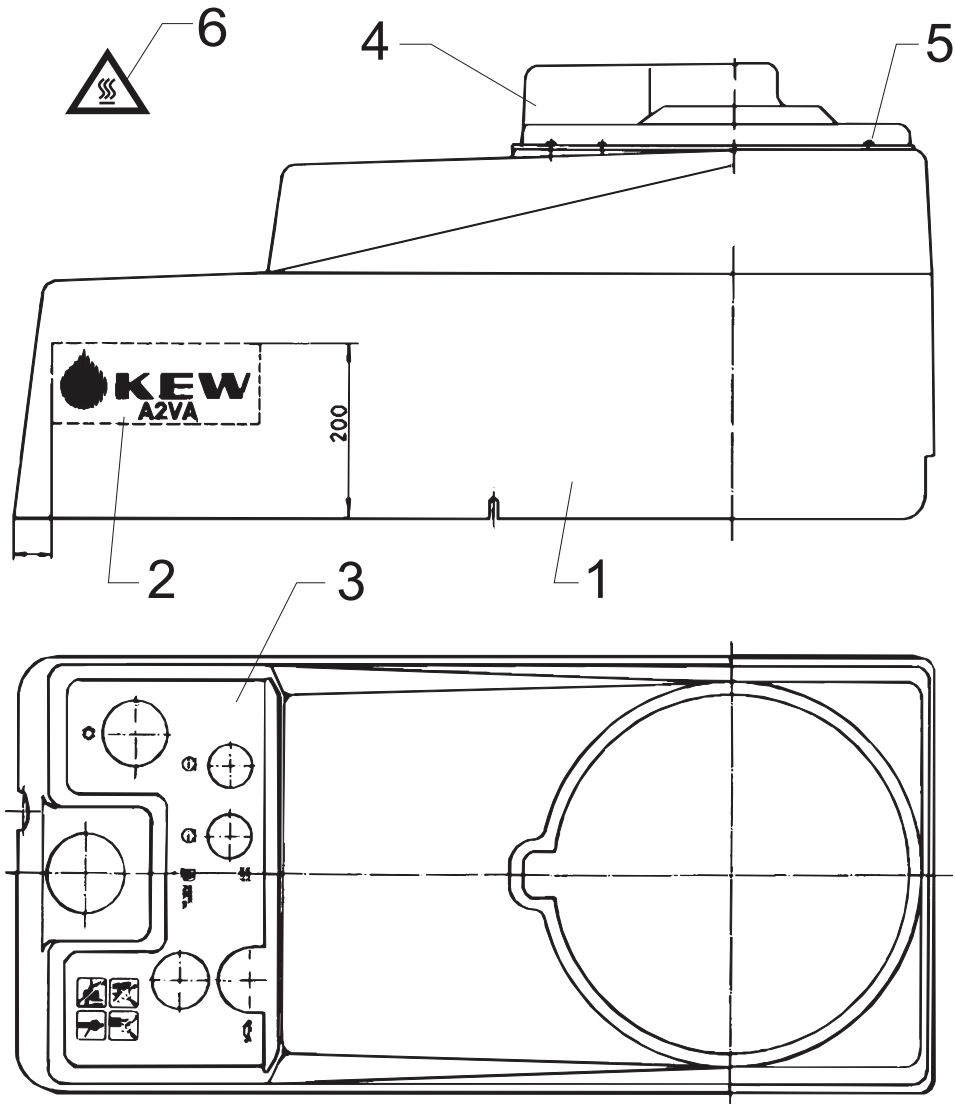


**Reservedele • Spare parts
Ersatzteile • Pièces détachées**

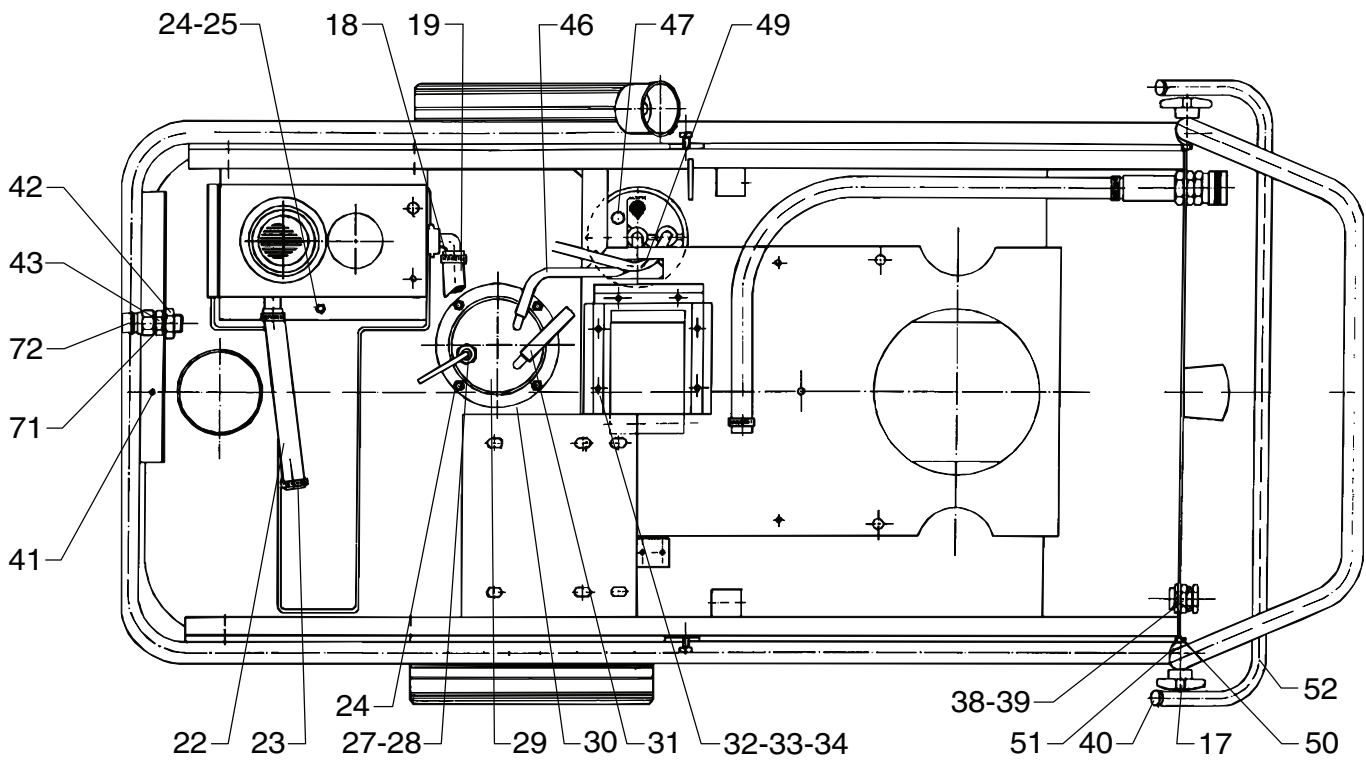
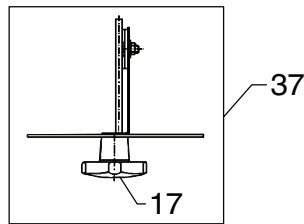
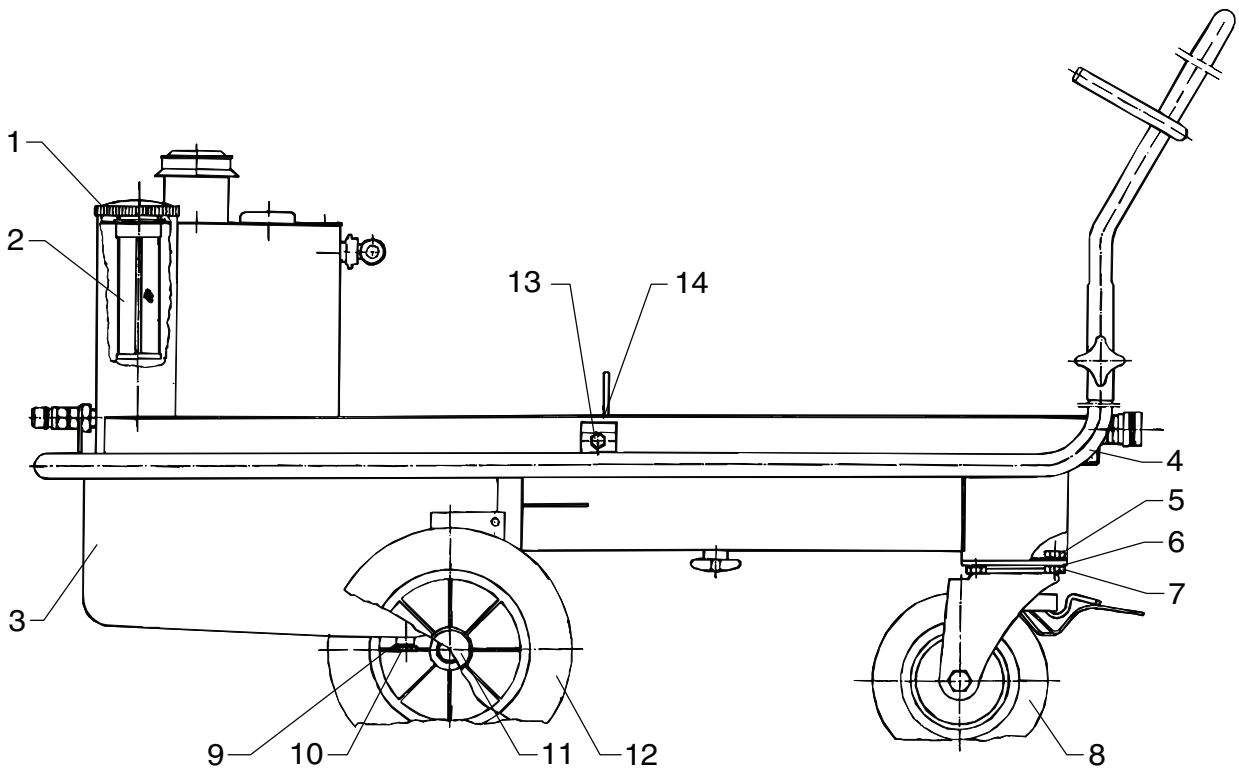




| Pos. Ref. | Nr. No. | Betegnels Bezeichnung | Designation Désignation | 16A2V/VA | 23A2V/VA | 26A2V/VA | 38A2V/VA |
|-----------|---------|--|------------------------------------|----------|----------|----------|----------|
| - | - | Kabinet, kompl. Cabinet, compl. Haube, kompl. Capot, compl. | | x | x | x | x |
| 1 | 6201060 | Kabinet Cabinet Haube Capot | A2V | | | | |
| 1 | 6201100 | Kabinet Cabinet Haube Capot | (16A2V, CDN) A2VA | | | | |
| 2 | - | Logo Logo Logo Logo | | | | | |
| - | 6201077 | 16A2V | USA, SGP J | 2 | 2 | | |
| - | 6201076 | 23A2V | | | | | |
| - | 6201119 | 26A2V | | | | 2 | |
| - | 6201075 | 38A2V | | | | | 2 |
| - | 6201074 | 16A2VA | USA, SGP J | 2 | 2 | | |
| - | 6201073 | 23A2VA | | | | | |
| - | 6201118 | 26A2VA | | | | 2 | |
| - | 6201072 | 38A2VA | | | | | 2 |
| 3 | 6201117 | Instrument panel Control panel Armaturenbrett Tableau de commande | A2V | 1 | 1 | 1 | |
| - | 6201101 | Instrument panel Control panel Armaturenbrett Tableau de commande | A2VA | 1 | 1 | 1 | 1 |
| - | 6220733 | Instrument panel Control panel Armaturenbrett Tableau de commande | CDN | 1 | 1 | 1 | |
| 4 | 6200287 | Kedel top Boiler, top section Kessel, oberer Teil Chaudière, partie supérieure | D | | | | 1 |
| 5 | 1801406 | Skrue Screw Schraube Vis | D | | | | 6 |
| 6 | 4210066 | Advarselslabel "varmeoveførsel" Warning label "heat transfer" Warnaufkleber Wärmeübertragung Avertis. "transmission chaaleur" | | 1 | 1 | 1 | 1 |

| Pos. Ref. | Nr. No. | Betegnels Bezeichnung | Designation Désignation | 16A2V/VA | 23A2V/VA | 26A2V/VA | 38A2V/VA |
|-----------|---------|---|----------------------------|----------|----------|----------|----------|
| - | - | Instruktionsbøger Instruction manuals Betriebsanleitungen Livrets d'instructions | | 1 | 1 | 1 | 1 |
| | 6209078 | DK | | | | | |
| | 6209079 | GB | | | | | |
| | 6209080 | D | | | | | |
| | 6209081 | F | | | | | |
| | 6209082 | NL | | | | | |
| | 6209083 | S | | | | | |
| | 6209086 | USA, CDN | | | | | |

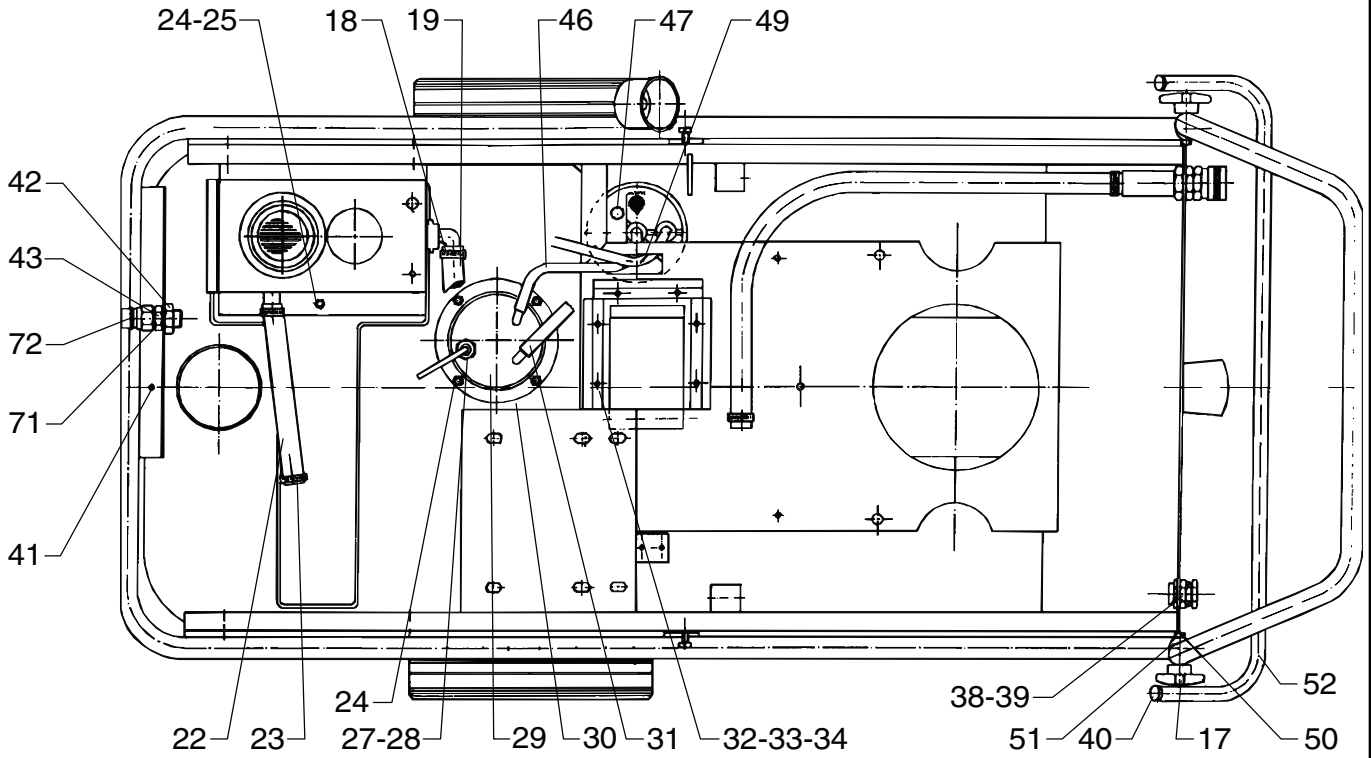
Stel / Chassis / Rahmen / Châssis



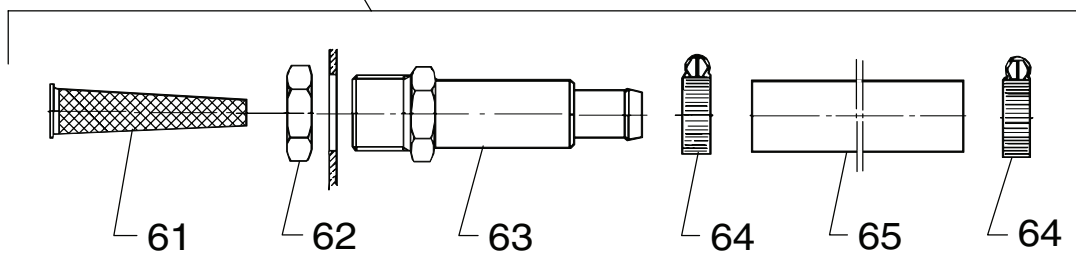
| Pos. Ref. | Nr. No. | Betegnels Bezeichnung | Designation Désignation | 16A2V/VA | 23A2V/VA | 26A2V/VA | 38A2V/VA |
|-----------|-----------|---|----------------------------|----------|----------|----------|----------|
| - | - | Stel, monteret Chassis, mount. Rahmen, montiert Châssis, monté | | x | x | x | x |
| 1 | 2011104 | Låg f. brændstof Cover f. fuel tank Deckel f. Brennstofftank Couvercle du réservoir fuel | | 1 | 1 | 1 | 1 |
| 2 | 1604222 | Påfyldningssi Fuel filling (filter) Brennstoffauffüllung (Filter) Filtre | | 1 | 1 | 1 | 1 |
| 3 | 6200203 | Brændstofftank Fuel tank Brennstofftank Réservoir à fuel | | 1 | 1 | 1 | 1 |
| 4 | 6200204 | Stel Chassis Rahmen Châssis | | 1 | 1 | 1 | 1 |
| - | 6201200 | Stel Chassis Rahmen Châssis | CDN, 1x115V | 1 | 1 | 1 | 1 |
| 5 | 1802305 | Skrue Screw Schraube Vis | | 4 | 4 | 4 | 4 |
| 6 | 1801968 | Skive Washer Scheibe Rondelle | | 4 | 4 | 4 | 4 |
| 7 | 1800465 | Møtrik Nut Mutter Ecrou | | 4 | 4 | 4 | 4 |
| 8 | 2005619 | Drejehjul Steerable wheel Lenkrad Roue pivotante | | 1 | 1 | 1 | 1 |
| 9 | 3001468 | Fiberskive Washer Scheibe Rondelle | | 1 | 1 | 1 | 1 |
| 10 | 6200529 | Aftapningsskrue Drain screw Ablassschraube Vis de vidange fuel | | 1 | 1 | 1 | 1 |
| 11 | 102004266 | Navkapsel, kompl. Hub cap, compl. Nabenkappe, kompl. Enjoliveur, compl. | 01.03.02 => | 2 | 2 | 2 | 2 |
| 11 | 2004265 | Navkapsel Hub cap Nabenkappe Enjoliveur | => 28.02.02 | 2 | 2 | 2 | 2 |
| 12 | 301000041 | Hjul Wheel Rad Roue | 01.03.02 => | 2 | 2 | 2 | 2 |
| 12 | - | Hjul Wheel Rad Roue | => 28.02.02 | 2 | 2 | 2 | 2 |
| 13 | 6200145 | Skrue Screw Schraube Vis | | 2 | 2 | 2 | 2 |
| 14 | 1803832 | Seegerring Seeger circlip ring Seeger-Ring Anneau Seger | | 2 | 2 | 2 | 2 |
| 17 | 4000279 | Stjernegreb Star handle Sterngriff Poignée en étoile | | 3 | 3 | 3 | 3 |
| 18 | 5206065 | Slange Hose Schlauch Tuyau | (L=230) | 1 | 1 | 1 | 1 |

| Pos. Ref. | Nr. No. | Betegnels Bezeichnung | Designation Désignation | 16A2V/VA | 23A2V/VA | 26A2V/VA | 38A2V/VA |
|-----------|---------|--|----------------------------|----------|----------|----------|----------|
| 19 | 1801034 | Spændebånd Hose clip Schelle Collier de serrage | (J, AUS 3 pcs.) | 2 | 2 | 2 | 2 |
| 22 | 5206230 | Slange Hose Schlauch Tuyau | (L=190) | 1 | 1 | 1 | 1 |
| 23 | 1802107 | Spændebånd Hose clip Schelle Collier de serrage | | 2 | 2 | 2 | 2 |
| 24 | 1802743 | Møtrik Nut Mutter Ecrou | | 5 | 5 | 5 | 5 |
| 25 | 1804152 | Skive Washer Scheibe Rondelle | | 1 | 1 | 1 | 1 |
| 27 | 1801026 | Møtrik Nut Mutter Ecrou | | 1 | 1 | 1 | 1 |
| 28 | 3000429 | Fiberskive Fibre washer Fiberscheibe Rondelle | | 1 | 1 | 1 | 1 |
| 29 | 6200202 | Dæksel Cover Deckel Couvercle | | 1 | 1 | 1 | 1 |
| 30 | 6240091 | Pakning Gasket Dichtung Joint | | 1 | 1 | 1 | 1 |
| 31 | 5226220 | Olieslange Hose (fuel) Schlauch (Brennstoff) Durite à fuel | (L=220) | 1 | 1 | 1 | 1 |
| 32 | 6200088 | Holder Holder Halter Support | | 3 | 3 | 3 | 3 |
| 33 | 1803618 | Popnitte Rivet Niet Rivet | | 6 | 6 | 6 | 6 |
| 34 | 6200089 | Pakning Gasket Dichtung Joint | | 1 | 1 | 1 | 1 |
| 37 | 6202222 | Spjældplade, kompl. Plate f. throttle, compl. Platte f. Luftschieber, kompl. Plaque du régulateur, compl. | | 1 | 1 | 1 | 1 |
| 38 | 3800786 | Kontramøtrik Lock nut Gegenmutter Contre écrou | | 1 | 1 | 1 | 1 |
| - | 3808169 | Kontramøtrik Lock nut Gegenmutter Contre écrou | CDN, 1x115V | 1 | | | |
| 39 | 3800760 | Trækafastning Cable lead- in Zugentlastung Passe fil | | 1 | 1 | 1 | 1 |
| - | 3802212 | Trækafastning Cable lead- in Zugentlastung Isolateur de traversée | CDN, 1x115V | 1 | | | |
| 40 | 4600490 | Dupsko Ferrule Zwinge Embout | | 2 | 2 | 2 | 2 |
| 41 | 1803592 | Skrue Screw Schraube Vis | | 7 | 7 | 7 | 7 |

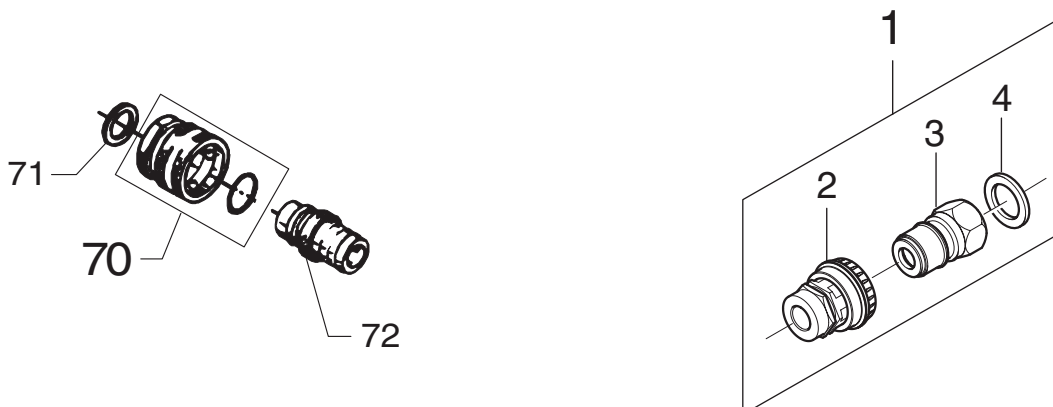
Stel / Chassis / Rahmen / Châssis



60



Lynkbling / Quick coupling / Schnellkupplung / Coupleur rapide

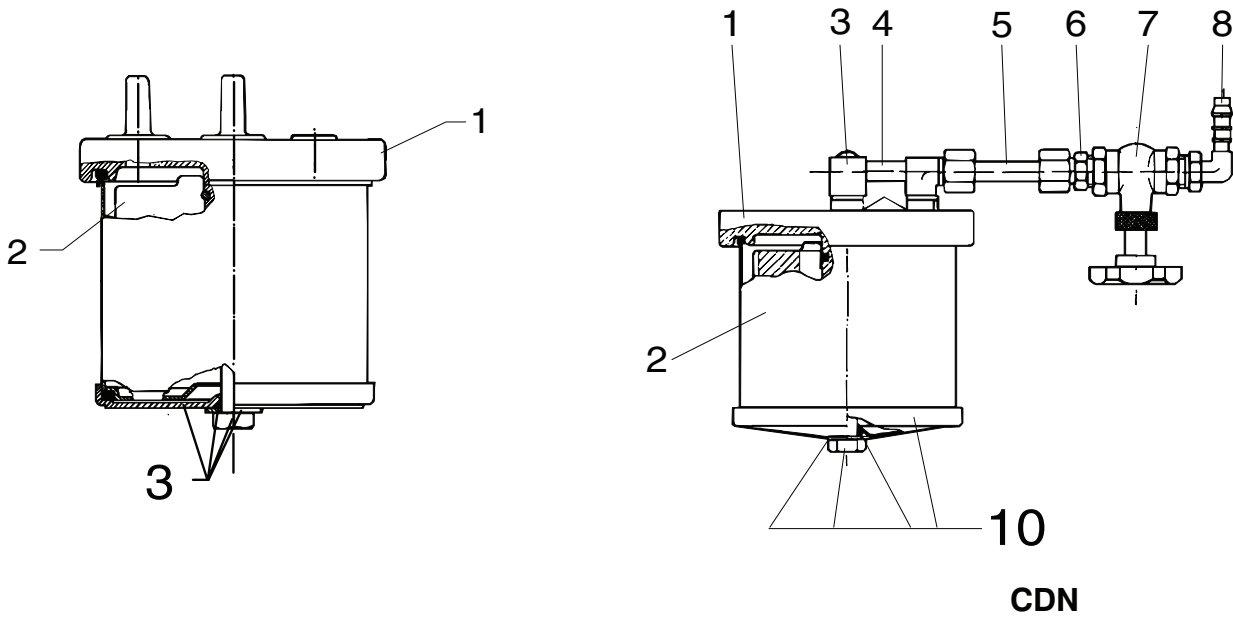


| Pos. Ref. | Nr. No. | Betegnelse Bezeichnung | Designation Désignation | 16A2/V/A | 23A2/V/A | 26A2/V/A | 38A2/V/A |
|-----------|---------|---|----------------------------|----------|----------|----------|----------|
| 42 | 1803220 | Kontramøtrik Lock nut Gegenmutter Contre écrou | | 1 | 1 | 1 | 1 |
| 43 | 6200484 | Forskruing Threaded connection Verschraubung Raccord fileté | | 1 | 1 | 1 | 1 |
| 46 | 5226220 | Olieslange Hose (fuel) Schlauch (Brennstoff) Durite à fuel | (L=220) | 1 | 1 | 1 | 1 |
| - | 5226220 | Olieslange Hose (fuel), CDN Schlauch (Brennstoff) Durite à fuel | (L=340) | 1 | | | |
| 47 | 1810167 | Skrue Screw Schraube Vis | | 2 | 2 | 2 | 2 |
| 49 | 5226220 | Olieslange Hose (fuel) Schlauch (Brennstoff) Tube (fuel) | (L=265) | 1 | 1 | 1 | 1 |
| - | 5226220 | Olieslange Hose (fuel), CDN Schlauch (Brennstoff) Tube (fuel) | (L=340) | 1 | | | |
| 50 | 6100123 | Stelskrue Screw Schraube Vis | | 2 | 2 | 2 | 2 |
| 51 | 4600559 | Dupsko Ferrule Zwinge Embout | | 2 | 2 | 2 | 2 |
| 52 | 6200249 | Bagbøjle Handle, back Bügel, hinten Poignée, arrière | | 1 | 1 | 1 | 1 |
| 60 | - | Vandtilslutning, kompl. Water inlet, compl. Wasseranschluss, kompl. Admission eau, compl. | | x | x | x | x |
| 61 | 6100941 | Filter Filter Filter Filtre | | 1 | 1 | 1 | 1 |
| 62 | 1800341 | Kontramøtrik Lock nut Gegenmutter Contre-écrou | | 1 | 1 | 1 | 1 |
| 63 | 6100937 | Filterhus Filter housing Gehäuse f. Filter Carter filtre | | 1 | 1 | 1 | 1 |
| 64 | 1802107 | Spændebånd Hose clip Schelle Collier de serrage | | 2 | 2 | 2 | 2 |
| 65 | 5206487 | Slange Hose Schlauch Flexible | (L=630) | 1 | 1 | 1 | 1 |
| 70 | 1602945 | Lynkobling, kompl. (lavtryk) Quick coupling, compl. (l.p.) Schnellkupplung, kompl. (N.D.) Coupleur rapide, compl. (b.p.) | | 1 | 1 | 1 | 1 |
| 71 | 1801075 | Tætningsskive Sealing washer Dichtungsscheibe Rondelle d'étanchéité | | 2 | 2 | 2 | 2 |
| 72 | - | Lynkoblingsnippel (lavtryk) Nipple f. quick coupling (l.p.) Nippel f. Schnellkupplung (N.D.) Entrée du coupleur rapide (b.p.) | | | | | |
| - | 1600659 | 3/4" | | | | | |
| - | 1602473 | 5/8" | | | | | |
| - | 1605955 | | USA | | | | |

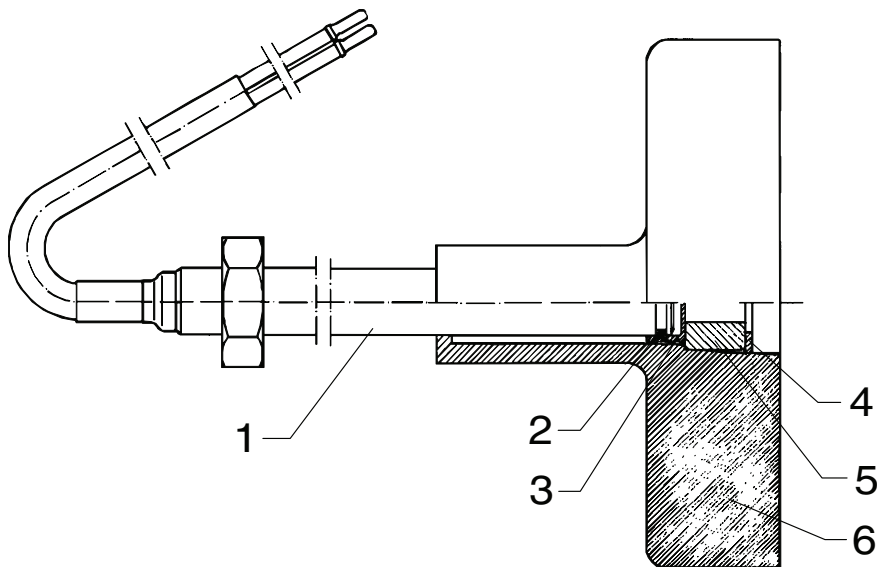
| Pos. Ref. | Nr. No. | Betegnelse Bezeichnung | Designation Désignation | 16A2/V/A | 23A2/V/A | 26A2/V/A | 38A2/V/A |
|-----------|-----------|---|----------------------------|----------|----------|----------|----------|
| 1 | 101119499 | Koblingssæt f. højtryksslange (h.t.) Coupling kit f. high pres. hose (h.p.) Kupplungsatz f. Hochdruckschlauch (H.D.) Kit de coupleur p. tuyau (h.p.) | | x | x | x | x |
| 2 | 106402075 | Lynkobling, kompl. (damp) Quick coupling, compl. (steam) Schnellkupplung, kompl. (Dampf) Coupleur rapide, compl. (vapeur) | | 1 | 1 | 1 | 1 |
| 3 | 1600493 | Lynkoblingsnippel (højtryk) Nipple f. quick coupling (h.p.) Nippel f. Schnellkupplung (H.D.) Entrée du coupleur rapide (h.d.) | | | | | |
| - | 1603101 | Lynkoblingsnippel, RF (højtryk) Nipple f. quick coupling, SS H.P. Nippel f. Schnellkupplung, RF H.D. Entrée du coupleur rapide, INOX H.P. | | | | | |
| 4 | 1801075 | Tætningsskive Sealing washer Dichtungsscheibe Rondelle d'étanchéité | | 1 | 1 | 1 | 1 |

598 75 99 - Jun. 2004

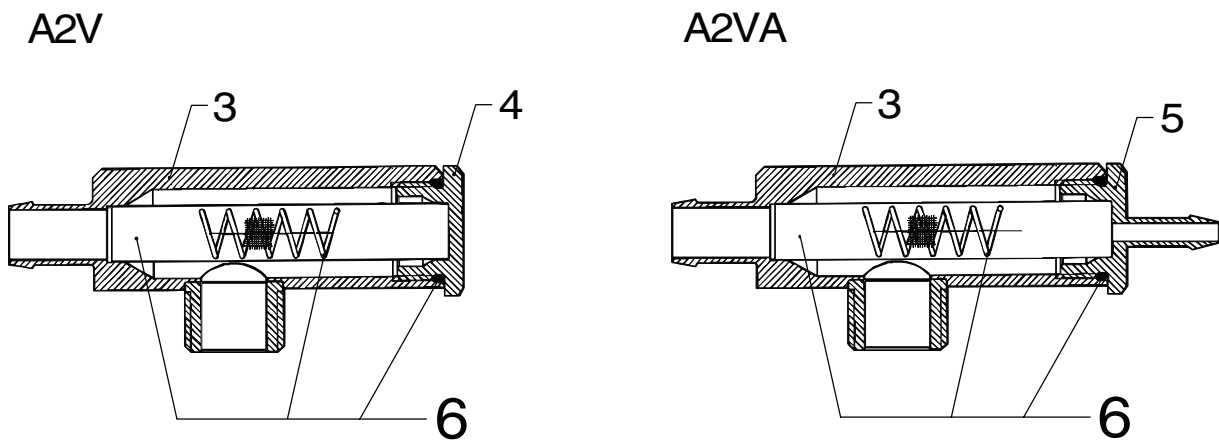
Oliefilter / Fuel filter / Brennstofffilter / Filtre à fuel



Niveauekontakt / Level switch / Niveauschalter / Contrôleur de niveau

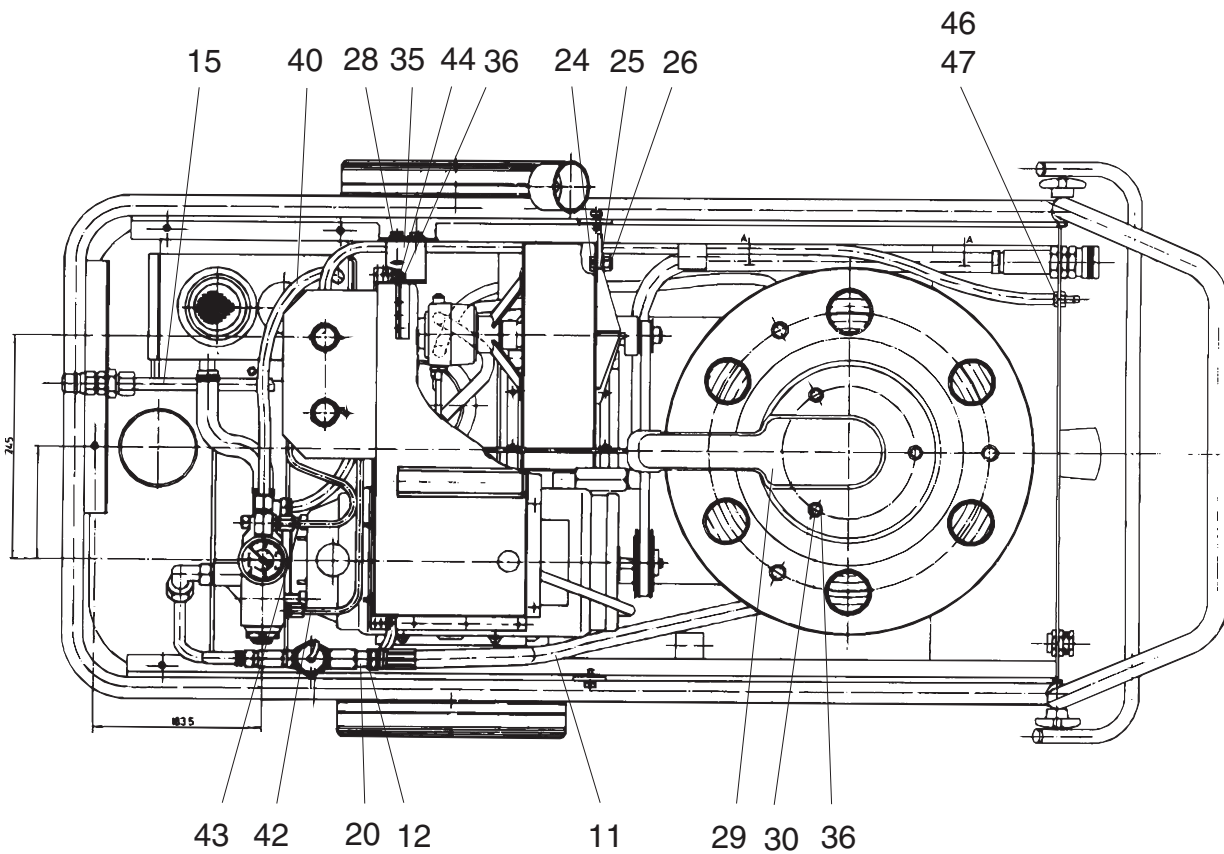
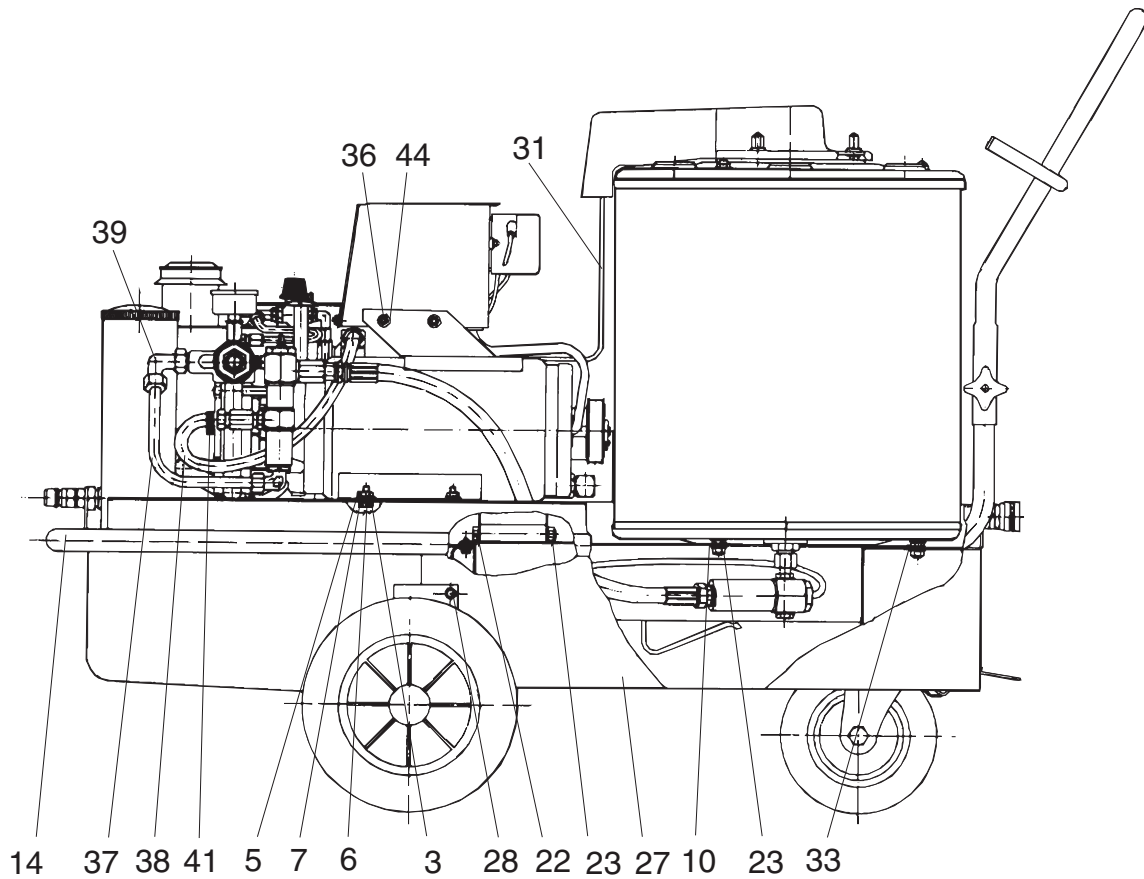


Filterhus / Filter housing / Gehäuse f. Filter / Carter filtre



| Pos. Ref. | Nr. No. | Betegnels Bezeichnung | Designation Désignation | 16A2V/VA | 23A2V/VA | 26A2V/VA | 38A2V/VA |
|-----------|----------------|--|----------------------------|----------|----------|----------|----------|
| - | 6200466 | Oliefilter, komplet Fuel filter, complete Brennstofffilter, komplett Filtre à fuel, compl. | | x | x | x | x |
| 1 | 6200445 | Filterdæksel Filter cap Deckel für Filter Couvercle du filtre | | 1 | 1 | 1 | 1 |
| 2 | 1604248 | Oliefilter Fuel filter Brennstofffilter Filtre à fuel | | 1 | 1 | 1 | 1 |
| 3 | 1119301 | Rep.sæt, filter bund Kit, bottom sect. f. filter housing Satz, Unterer Teil f. Filtergehäuse Kit, part. infér. du carter filtre | | 1 | 1 | 1 | 1 |
| - | 6200471 | Oliefilter, komplet Fuel filter, compl. Brennstofffilter, komplett Filtre à fuel, compl. | CDN, 16A2V | x | | | |
| 1 | 6220411 | Filterdæksel Filter cap Deckel für Filter Couvercle du filtre | | 1 | | | |
| 2 | 1604248 | Oliefilter Fuel filter Brennstofffilter Filtre à fuel | | 1 | | | |
| 3 | 1602317 | Fitting Fitting Halterung Garniture | | 2 | | | |
| 4 | 6222480 | Olierør L=112mm Tube Rohr Tube | | 1 | | | |
| 5 | 6222481 | Olierør L=44mm Tube Rohr Tube | | 1 | | | |
| 6 | 1602259 | Fitting Fitting Halterung Garniture | | 2 | | | |
| 7 | 1601186 | Nåleventil Needle valve Nadelventil Soupape à pointeau | | 2 | | | |
| 8 | 1604008 | Slangestuds Hose socket Schlauchstutzen Raccord | | 2 | | | |
| 10 | 1119301 | Rep.sæt, filter bund Kit, bottom sect. f. filter housing Satz, Unterer Teil f. Filtergehäuse Kit, part. infér. du carter filtre | | 1 | | | |

| Pos. Ref. | Nr. No. | Betegnels Bezeichnung | Designation Désignation | 16A2V/VA | 23A2V/VA | 26A2V/VA | 38A2V/VA |
|-----------|----------------|---|----------------------------|----------|----------|----------|----------|
| - | 6200208 | Niveauekontakt, kompl. Level switch, compl. Niveauschalter, kompl. Contrôleur de niveau, compl. | | x | x | x | x |
| 1 | 6200083 | Rør Tube Rohr Corps | | 1 | 1 | 1 | 1 |
| 2 | 3000296 | O-ring O-ring O-Ring Joint torique | | 1 | 1 | 1 | 1 |
| 3 | 6200067 | Hætte Cap Kappe Capuchon | | 1 | 1 | 1 | 1 |
| 4 | 1803634 | Låsering Circlip Sicherungsring Circlip | | 1 | 1 | 1 | 1 |
| 5 | 1803485 | Magnet Magnet Magnet Aimant | | 1 | 1 | 1 | 1 |
| 6 | 6200060 | Flyder Float Schwimmer Floteur | | 1 | 1 | 1 | 1 |
| - | 6105388 | Filterhus, kompl. Filter housing, compl. Gehäuse f. Filter, kompl. Carter filtre, compl. | A2V | x | x | x | x |
| - | 6200937 | Filterhus, kompl. Filter housing, compl. Gehäuse f. Filter, kompl. Carter filtre, compl. | A2VA | x | x | x | x |
| 3 | 6105625 | Filterhus Filter housing Gehäuse f. Filter Carter filtre | | 1 | 1 | 1 | 1 |
| 4 | 6105545 | Prop Plug Pfropfen Bouchon | A2V | 1 | 1 | 1 | 1 |
| 5 | 6201901 | Slangestuds Hose socket Schlauchstutzen Raccord p. flexible | A2VA | 1 | 1 | 1 | 1 |
| 6 | 1119316 | Rep. sæt, filterhus Rep. kit, filter housing Rep. satz, Gehäuse f. Filter Kit de rép., carter filtre | | 1 | 1 | 1 | 1 |



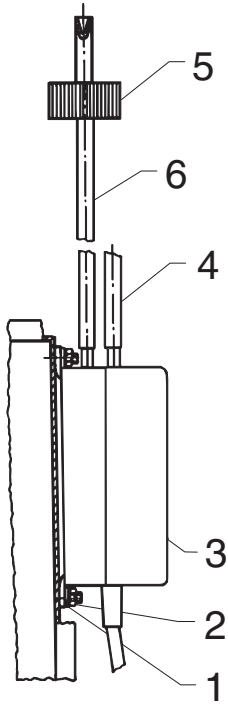
| Pos. Ref. | Nr. No. | Betegnels Bezeichnung | Designation Désignation | 16A2V/VA | 23A2V/VA | 26A2V/VA | 38A2V/VA |
|-----------|---------|--|----------------------------|----------|----------|----------|----------|
| - | - | Maskine, monteret Machine, mounted Maschine, montiert Appareil, monté | | x | x | x | x |
| 3 | 1801174 | Skrue Screw Schraube Vis | | 4 | 4 | 4 | 4 |
| 5 | 1803725 | Møtrik Nut Mutter Ecrou | | 4 | 4 | 4 | 4 |
| 6 | 1807445 | Skive Washer Scheibe Rondelle | | 4 | 4 | 4 | 4 |
| 7 | 1800796 | Skive Washer Scheibe Rondelle | | 4 | 4 | 4 | 4 |
| 10 | 1800796 | Skive Washer Scheibe Rondelle | | 3 | 3 | 3 | 3 |
| 11 | 6200511 | Intern højtryksslange High pressure hose Hochdruckschlauch Flexible haute pression | A2V | 1 | 1 | 1 | 1 |
| - | 6200513 | Intern højtryksslange High pressure hose Hochdruckschlauch Flexible haute pression | A2VA | 1 | 1 | 1 | 1 |
| 12 | 1803493 | Tætningskive Sealing washer Dichtungsscheibe Rondelle d'étanchéité | | 1 | 1 | 1 | 1 |
| 15 | 6200502 | Trykrør, afgang Pressure pipe, outlet Druckrohr, Auslass Tuyau en départ | | 1 | 1 | 1 | 1 |
| 18 | 6105375 | Oliefyldningsprop Oil filling plug Öleinfüllstutzen Tubulure de remplissage d'huile | | 1 | 1 | 1 | 1 |
| 20 | 1602267 | Muffe Sleeve Muffe Manchon | A2VA | 1 | 1 | 1 | 1 |
| 22 | 1803626 | Bolt Bolt Bolzen Boulon | | 1 | 1 | 1 | 1 |
| 23 | 1800515 | Møtrik Nut Mutter Ecrou | | 4 | 4 | 4 | 4 |
| 24 | 1800432 | Skrue Screw Schraube Vis | | 1 | 1 | 1 | 1 |
| 25 | 6223089 | Skive Washer Scheibe Rondelle | | 1 | 1 | 1 | 1 |
| 26 | 1800457 | Låsemøtrik Lock nut Gegenmutter Ecrou de blocage | | 1 | 1 | 1 | 1 |
| 27 | 6200062 | Dækplade Cover plate Abschlussdeckel Couverture | | 4 | 4 | 4 | 4 |
| 28 | 1803592 | Skrue Screw Schraube Vis | | 6 | 6 | 6 | 6 |
| 29 | 6200280 | Kedeltop Boiler top section Kessel, oberer Teil Chaudière, partie supérieure | | 1 | 1 | 1 | 1 |

| Pos. Ref. | Nr. No. | Betegnels Bezeichnung | Designation Désignation | 16A2V/VA | 23A2V/VA | 26A2V/VA | 38A2V/VA |
|-----------|---------|--|------------------------------------|----------|----------|----------|----------|
| 29 | 6200228 | ⇒ 01.07.93 | N | 1 | 1 | 1 | 1 |
| 29 | 6220268 | | CDN | 1 | | | |
| 30 | 6200310 | Top møtrik Nut Mutter Ecrou | | 3 | 3 | 3 | 3 |
| - | 1800705 | Top møtrik Nut Mutter Ecrou | D | 3 | 3 | 3 | 3 |
| 31 | 6200504 | Dyserør, kompl. Fuel line, compl. Rohr f. Düse, kompl. Tube p. buse, compl. | | 1 | 1 | 1 | 1 |
| 33 | 6200093 | Skive Washer Scheibe Rondelle | | 3 | 3 | 3 | 3 |
| 35 | 6201742 | Stiver Support Stütze Support | | 1 | 1 | 1 | 1 |
| - | 6201754 | 1x115V | CDN | 1 | | | |
| - | 6201775 | 1x220V | CDN | 1 | | | |
| 36 | 1800440 | Skive Washer Scheibe Rondelle | | 11 | 11 | 11 | 11 |
| 37 | 6200516 | Trykrør Pressure pipe, outlet Druckrohr Tubulure de sortie | A2VA 09.04.89 ⇒ ⇒ 09.04.89 | 1 | 1 | 1 | 1 |
| 38 | 5206054 | Meldeslange blå Alarm hose blue Alarmschlauch blau Flexible indicateur bleu | A2VA (L=440) | 1 | 1 | 1 | 1 |
| 39 | 1604487 | Vinkel Elbow Winkel Raccord coudé | A2VA ⇒ 09.04.89 | 1 | 1 | 1 | 1 |
| 40 | 5206636 | Slange Hose Schlauch Flexible | A2VA (L=390) | 1 | 1 | 1 | 1 |
| 41 | 1801034 | Spændebånd Hose clip Schlauchschelle Collier de serrage | | 2 | 2 | 2 | 2 |
| 42 | 6200514 | Afgangsrør Outlet tube Auslassrohr Tube de sortie | | 1 | 1 | 1 | 1 |
| 43 | 6240500 | Rør f. temp. regl. Tube f. temp. regl. Rohr f. Temperaturreg. Tube p. rég. de temp. | | 1 | 1 | 1 | 1 |
| 44 | 1800457 | Låsemøtrik Lock nut Gegenmutter Ecrou de blocage | | 3 | 3 | 3 | 3 |
| 46 | 1801026 | Møtrik Nut Mutter Ecrou | | 1 | 1 | 1 | 1 |
| 47 | 6200651 | Slangestuds Hose socket Schlauchstutzen Raccord du tuyau | | 1 | 1 | 1 | 1 |
| - | 1803329 | Kabelbinder sort Clamp black Schelle schwarz Collier de serrage noir | | 3 | 3 | 3 | 3 |
| - | 1802347 | Kabelbinder hvid Clamp white Schelle weiss Collier de serrage blanc | | 3 | 3 | 3 | 3 |

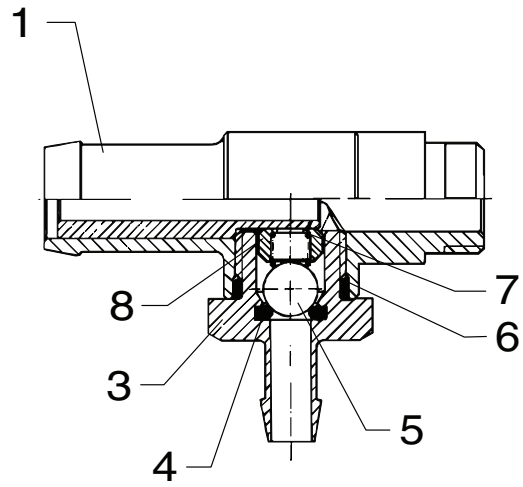
598 75 99 - Jun. 2004

⚠ ATTENTION! - Lengths in metres - Please indicate required length when ordering! ⚠ ATTENTION! - Longueurs par mètre - Préciser la longueur à la commande!
⚠ ACHTUNG! - Maße in Metern - Bitte bei Bestellung gewünschte Länge angeben! ⚠ WERBUNG! - Maße in Metern - Bitte bei Bestellung gewünschte Länge angeben!

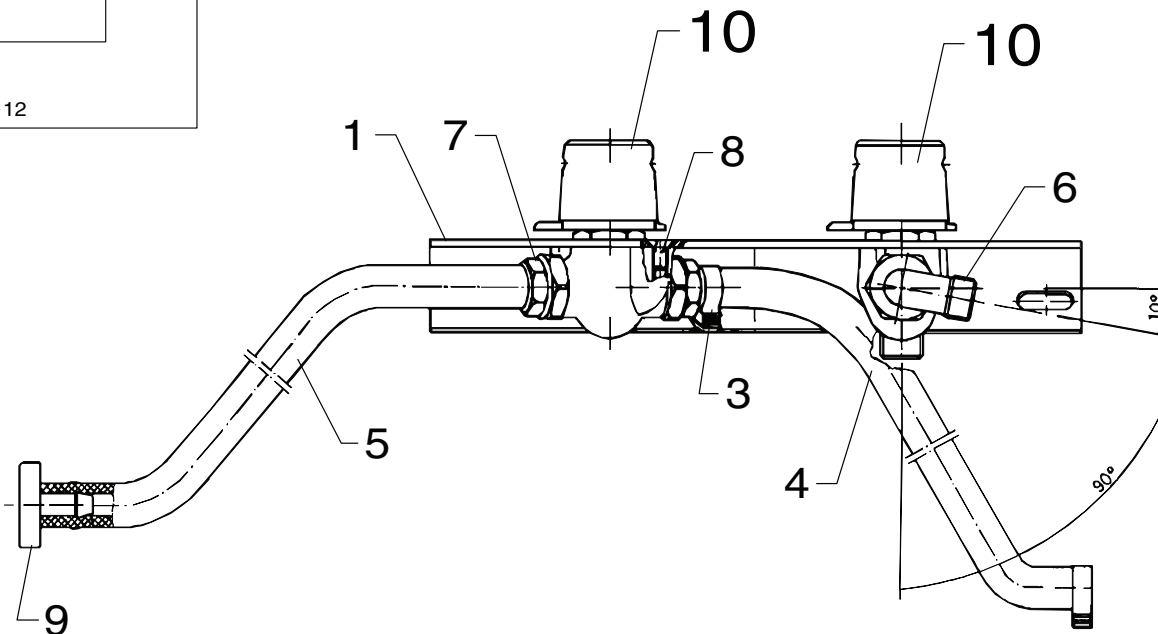
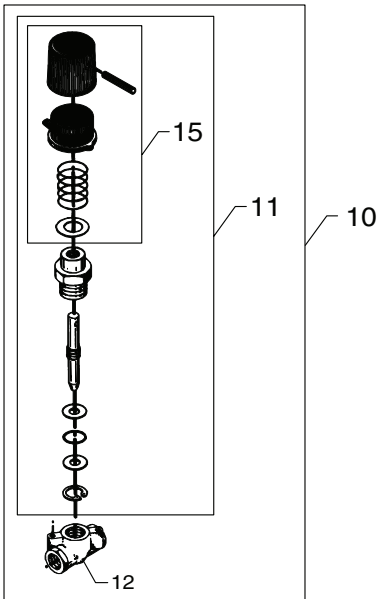
Blødgøringspumpe / Pump f. softener
Pumpe f. Enthärter / Pompe adoucisseur d'eau



Indsugningsstuds / Suction branch
Einlaßstutzen / Raccord d'aspiration
 ⇒ 07.03.89 |



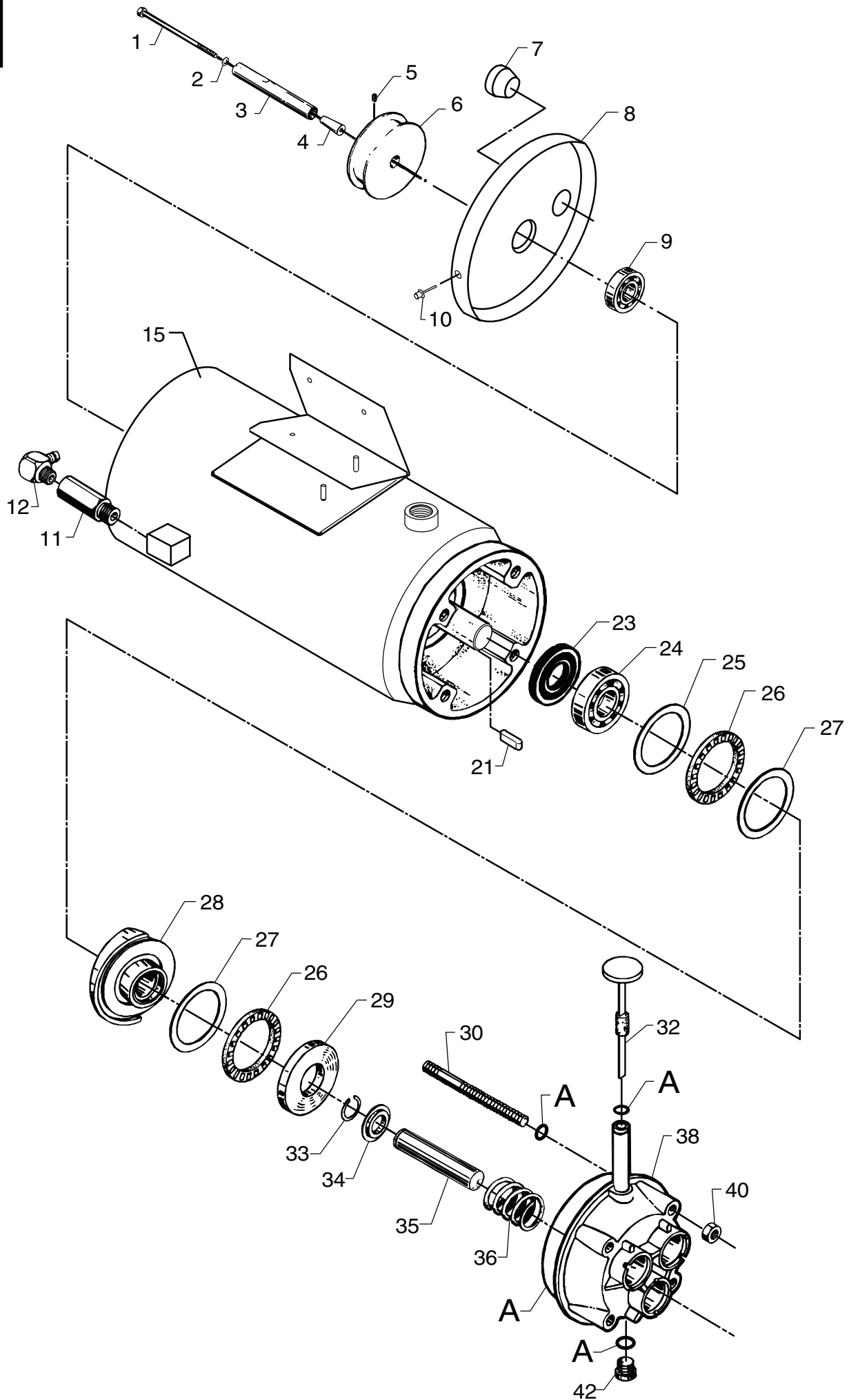
Kemisystem / Chemical dosing / Chemiedosierung / Dosage détergent



| Pos. Ref. | Nr. No. | Betegnels Bezeichnung | Designation Désignation | 16A2V/VA | 23A2V/VA | 26A2V/VA | 38A2V/VA |
|-----------|----------------|---|----------------------------|----------|----------|----------|----------|
| - | 6401064 | Blødgøringspumpe, kompl. Pump f. softener, compl. Pumpe f. Enthärter, kompl. Pompe adoucisseur d'eau, compl. | | x | x | x | x |
| 1 | 1800887 | Skive Washer Scheibe Rondelle | | 2 | 2 | 2 | 2 |
| 2 | 1800127 | Låsemøtrik Lock nut Gegenmutter Ecroû de blocage | | 2 | 2 | 2 | 2 |
| 3 | 3812468 | Doserpumpe, kompl. Dosing pump, compl. Dosierpumpe, kompl. Pompe de dosage, compl. | | 1 | 1 | 1 | 1 |
| 4 | 5206388 ⌘ | Afgangsslange Outlet hose Auslassschlauch Flexible (sortie) | (L=525) | 1 | 1 | 1 | 1 |
| 5 | 6200658 | Låg for dunk Cover for container Deckel für Behälter Couvercle du bidon | | 1 | 1 | 1 | 1 |
| 6 | 5206388 ⌘ | Tilgangsslange Inlet hose Einlassschlauch Flexible (admission) | (L=1260) | 1 | 1 | 1 | 1 |
| - | 6209071 | Betjeningsvejledning Instructions for use Gebrauchsanleitung Notice d'utilisation | | 1 | 1 | 1 | 1 |
| - | - | Indsugningsstuds, kompl. Suction branch Einlassstutzen, kompl. Raccord d'aspiration, compl. | ⇒ 07.03.89 | x | x | x | x |
| 1 | 6200564 | Studs Socket Stutzen Raccord | | 1 | 1 | 1 | 1 |
| 3 | 3400512 | Kontraventil Non return-valve Rückschlagventil Clapet anti-retour | | 1 | 1 | 1 | 1 |
| 4 | 3000296 | O-ring O-ring O-Ring Joint torique | | 1 | 1 | 1 | 1 |
| 5 | 3400447 | Kugle Ball Kugel Bille | | 1 | 1 | 1 | 1 |
| 6 | 3000064 | O-ring O-ring O-Ring Joint torique | | 1 | 1 | 1 | 1 |
| 7 | 2600468 | Fjeder Spring Feder Ressort | | 1 | 1 | 1 | 1 |
| 8 | 6200541 | Fjederstyr Valve guide Federführung Guide ressort | | 1 | 1 | 1 | 1 |

| Pos. Ref. | Nr. No. | Betegnels Bezeichnung | Designation Désignation | 16A2V/VA | 23A2V/VA | 26A2V/VA | 38A2V/VA |
|-----------|----------------|--|----------------------------|----------|----------|----------|----------|
| - | - | Kemisystem, kompl. Chemical dosing, compl. Chemiedosierung, kompl. Dosage détergent, compl. | | x | x | x | x |
| 1 | 6200081 | Instrumentplade Control panel Armaturenbrett Tableau de commande | A2V | 1 | 1 | 1 | 1 |
| - | 6201905 | Instrumentplade Control panel Armaturenbrett Tableau de commande | A2VA | 1 | 1 | 1 | 1 |
| 3 | 1810084 | Spændebånd Hose clip Schlauchschele Collier de serrage | | 2 | 2 | 2 | 2 |
| 4 | 5206388 ⌘ | Slange Hose Schlauch Flexible | (L = 320) | 1 | 1 | 1 | 1 |
| 5 | 5206636 ⌘ | Slange Hose Schlauch Flexible | (L = 2212) | 1 | 1 | 1 | 1 |
| 6 | 1602416 | Vinkel Elbow Winkel Coude | A2VA | 2 | 2 | 2 | 2 |
| 7 | 1600527 | Slangestuds Hose socket Schlauchstutzen Raccord du tuyau | | 2 | 2 | 2 | 2 |
| 8 | 1801612 | Skrue Screw Schraue Vis | | 2 | 2 | 2 | 2 |
| 9 | 6400240 | Kemifilter Chemical filter Chemiefilter Filtre de détergent | | 1 | 1 | 1 | 1 |
| 10 | 1111913 | Doserventil, kompl. Dosing valve, compl. Dosierventil, kompl. Vanne de dosage, compl. | | x | x | x | x |
| 11 | 1400811 | Spindel, kompl. Spindle, compl. Spindel, kompl. Broche, compl. | | 1 | 1 | 1 | 1 |
| 12 | 3401148 | Hus Housing Gehäuse Carter | | 1 | 1 | 1 | 1 |
| 15 | 6008041 | Rep. sæt, greb Rep. kit, handle Rep.satz, Griff Kit de rép., poignée | | 1 | 1 | 1 | 1 |

A 1119017
 B 1119037
 C 1119310
 D 1119101
 E 1119013
 F 1119038

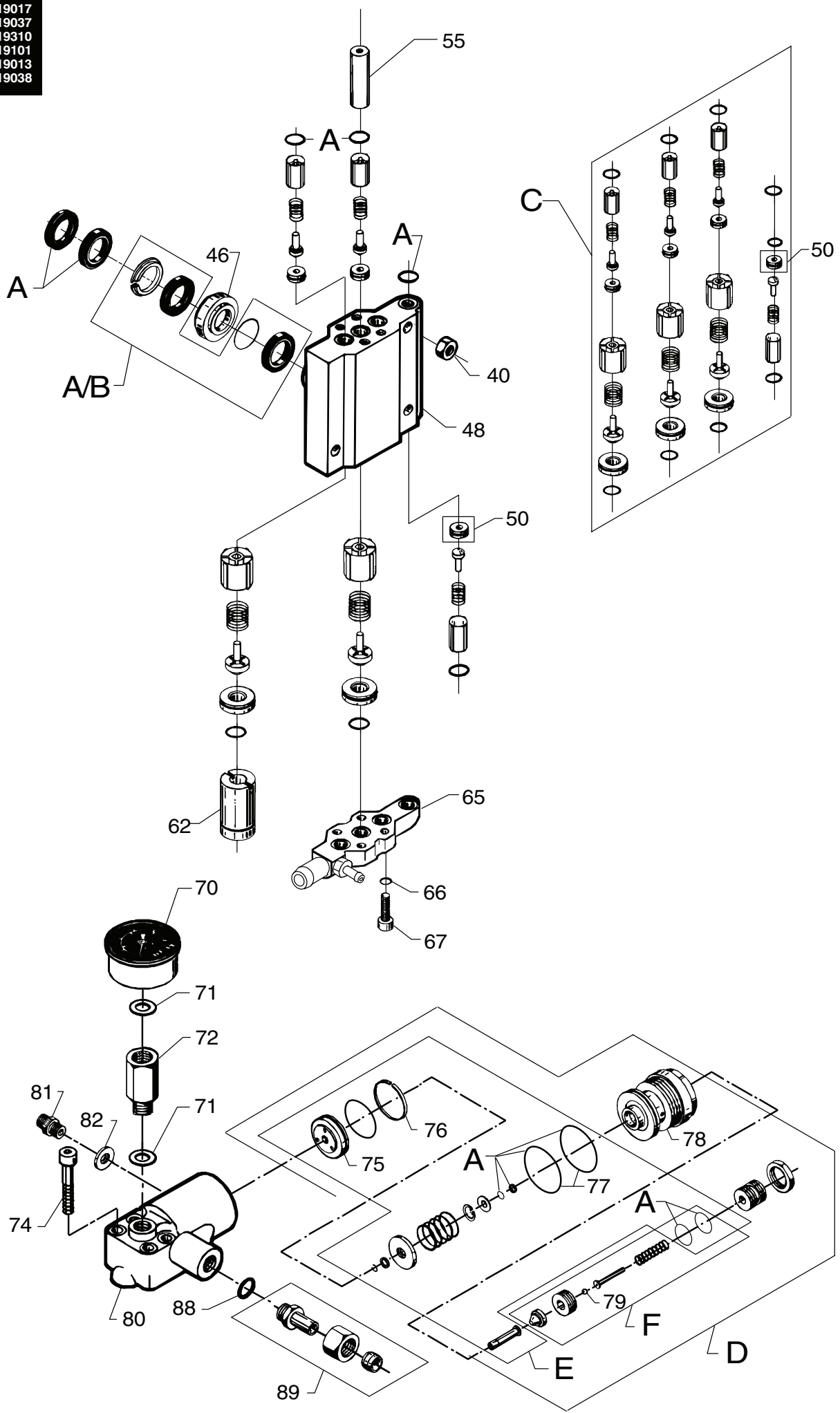


598 75 99 - Jun. 2004

| Pos. Ref. | Nr. No. | Betegnels Bezeichnung | Designation Désignation | 16A2V/VA | 23A2V/VA | 26A2V/VA | 38A2V/VA |
|-----------|---------|--|----------------------------|--|----------|----------|----------|
| - | - | Motorpumpeenhed, komp. Motor/pump unit, compl. Motorpumpeneinheit, kompl. Corps de moteur/pompe, compl. | | x | x | x | x |
| 1 | 6200415 | Bolt Stud Bolzen Boulon | ⇒ 01.11.89 | 1 | 1 | 1 | 1 |
| 2 | 1802727 | Skive Washer Scheibe Rondelle | ⇒ 01.11.89 | 1 | 1 | 1 | 1 |
| 3 | 6200413 | Aksel Shaft Welle Arbre | ⇒ 01.11.89 | 1 | 1 | 1 | 1 |
| 4 | 6200414 | Konus Cone Kegel Cône | ⇒ 01.11.89 | 1 | 1 | 1 | 1 |
| 5 | 1800358 | Skrue Screw Schraube Vis | ⇒ 01.11.89 | 1 | 1 | 1 | 1 |
| 6 | 6200434 | Remskive Pulley Riemenscheibe Poulie | 50Hz | 1 | 1 | 1 | 1 |
| 6 | 6200435 | Remskive Pulley Riemenscheibe Poulie | 60Hz | 1 | 1 | 1 | 1 |
| 7 | 3808276 | Pakdåse Cable grommet Stopfbuchse Presse-étoupe | | 1 | 1 | 1 | 1 |
| 8 | 6105485 | N-lejedæksel Rear bearing cover N-Lagerdeckel AR-flasque de carter | | 1 | 1 | 1 | 1 |
| 9 | 3200870 | Kugleleje Ball bearing Kugellager Roulement à bille | | 1 | 1 | 1 | 1 |
| 10 | 1813260 | Popnitte Rivet Niet Rivet | | 2 | 2 | 2 | 2 |
| 11 | 2200293 | Studs Socket Stutzen Raccord | | 1 | 1 | 1 | 1 |
| 12 | 6101752 | Vinkel Elbow Winkel Coude | | 1 | 1 | 1 | 1 |
| 15 | - | Motor, komplet Motor, complete Motor, komplett Moteur, compl. | | Se side 19 See page 19 SieheSeite 19 Voir page 19 | | | |
| 21 | 3200789 | Feder Key Federkeil Clavette | | 1 | 1 | 1 | 1 |
| 23 | 3001872 | Olietætningsring Oil gasket Öldichtungsring Joint d'huile | | 1 | 1 | 1 | 1 |
| 24 | 3200888 | Kugleleje Ball bearing Kugellager Roulement à bille | | 1 | 1 | 1 | 1 |
| 25 | 3200896 | Lejering Bearing ring Ring f. Lager Rondelle | | 1 | 1 | 1 | 1 |
| 26 | 3200912 | Nåleleje Needle bearing Nadellager Roulement à aiguille | | 2 | 2 | 2 | 2 |

| Pos. Ref. | Nr. No. | Betegnels Bezeichnung | Designation Désignation | 16A2V/VA | 23A2V/VA | 26A2V/VA | 38A2V/VA |
|-----------|---------|---|----------------------------|----------|----------|----------|----------|
| 27 | 3200904 | Lejering Bearing ring Ring f. Lager Rondelle | | 2 | 2 | 2 | 2 |
| 28 | - | Skråskive Wobble disc Taumelscheibe Disque oblique | | | | | |
| - | 6105503 | A | 60Hz | 1 | | | |
| - | 6105504 | B | 50Hz (23A2V/VA 60Hz) | 1 | 1 | | |
| - | 6105505 | C | (26A2V/VA, 50Hz) 60Hz | | | 1 | 1 |
| - | 6105506 | D | 50Hz | | | 1 | 1 |
| 29 | 6105499 | Lejeskive Bearing track Lagerscheibe Rondelle de palier | | 1 | 1 | 1 | 1 |
| 30 | 6105480 | Stagbolt L=130mm Stay bolt Stehbolzen Entretoise | | 4 | 4 | 4 | 4 |
| 32 | 6105375 | Oliepind Oil gauge pin Ölauffüllrohr Orifice de remplissage d'huile | | 1 | 1 | 1 | 1 |
| 33 | 1803162 | Låsering Circlip Sicherungsring Circlip | | 3 | 3 | 3 | 3 |
| 34 | 6105521 | Ring til returfeder Ring for return spring Ring für Rückzugfeder Anneau p. ressort de rap. | | 3 | 3 | 3 | 3 |
| 35 | 6152604 | Stempel Piston Druckkolben Piston | | | | 3 | 3 |
| 35 | 6150619 | Stempel Piston Druckkolben Piston | | 3 | 3 | | |
| 36 | 2600591 | Returfeder Return spring Rückzugfeder Ressort de rappel | | 3 | 3 | 3 | 3 |
| 38 | 6105474 | Cylinderblok Cylinder bloc Zylinderblock Carter-cylindre | | 1 | 1 | 1 | 1 |
| 40 | 1800465 | Møtrik Nut Mutter Ecrou | | 6 | 6 | 6 | 6 |
| 42 | 6105533 | Oliefæpningsprop Oil drain plug Ölablasspfropfen Bouchon de vidange huile | | 1 | 1 | 1 | 1 |

- A 1119017
- B 1119037
- C 1119310
- D 1119101
- E 1119013
- F 1119038

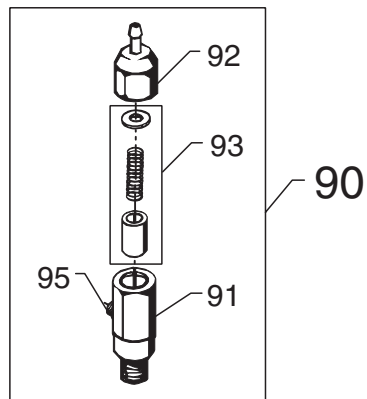
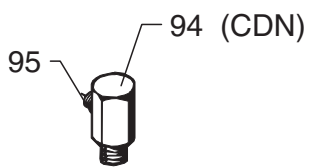
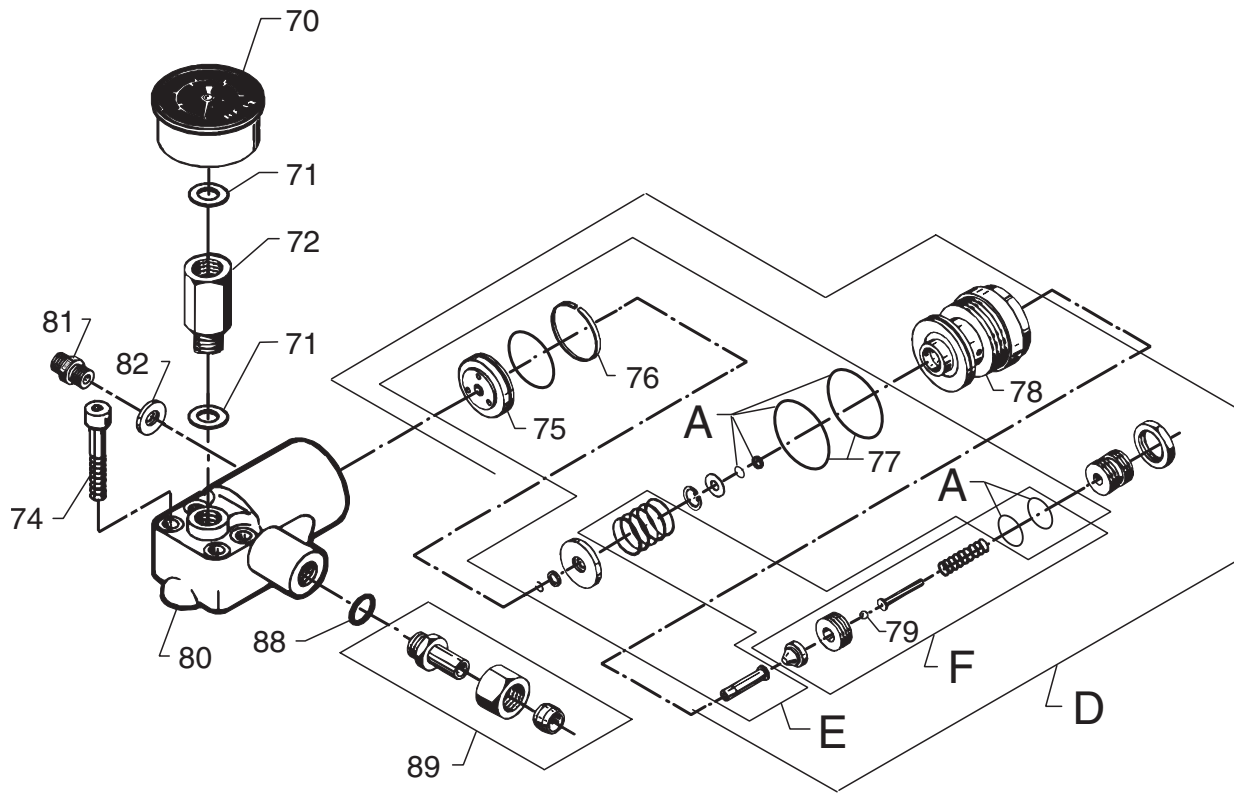


598 75 99 - Jun. 2004

| Pos. Ref. | Nr. No. | Betegnels Bezeichnung | Designation Désignation | 16A2V/VA | 23A2V/VA | 26A2V/VA | 38A2V/VA |
|-----------|---------|---|----------------------------|----------|----------|----------|----------|
| A | 1119017 | Rep.sæt, pakninger Rep.kit, gaskets Rep.satz, Dichtungen Kit de joints | | 1 | 1 | 1 | 1 |
| B | 1119037 | Rep.sæt, pakninger (red.) Rep.kit, gaskets (red.) Rep.satz, Dichtungen (red.) Kit de joints (réduit) | | 1 | 1 | 1 | 1 |
| C | 1119310 | Rep.sæt, ventilsystem Rep.kit, valve system Rep.satz, Ventilsystem Kit de système de clapet | | 1 | 1 | 1 | 1 |
| 46 | 6150609 | Trykring Thrust collar Druckring Anneau d'arrêt | | 1 | 1 | 1 | 1 |
| 48 | 6105476 | Topstykke Cylinder head Zylinderkopf Culasse | | 1 | 1 | 1 | 1 |
| 50 | 6200568 | Ventilsæde Valve seat Ventilsitz Siège du clapet | 16A2VA | 1 | | | |
| - | 6200567 | Ventilsæde Valve seat Ventilsitz Siège du clapet | 23A2VA | | 1 | | |
| - | 6402307 | Ventilsæde Valve seat Ventilsitz Siège du clapet | 26/38A2VA | | | 1 | 1 |
| 55 | 6150611 | Afstandsstykke Spacer Zwischenstück Pièce d'espace | | 1 | 1 | 1 | 1 |
| 62 | 6105500 | Afstandsstykke Spacer Zwischenstück Pièce d'espace | | 2 | 2 | 2 | 2 |
| 65 | 6200573 | Indsugningsdæksel Suction cover Einlassdeckel Couvercle d'aspiration | | 1 | 1 | 1 | 1 |
| 66 | 1801182 | Skive Washer Scheibe Rondelle | | 4 | 4 | 4 | 4 |
| 67 | 1803337 | Sætskrue Set screw Gewindestift Vis | | 4 | 4 | 4 | 4 |
| 70 | 3600996 | Manometer Pressure gauge Manometer Manomètre | | 1 | 1 | 1 | 1 |
| 71 | 6105516 | Nylonskive Nylon washer Nylonscheibe Rondelle nylon | | 1 | 1 | 1 | 1 |
| 72 | 6201651 | Mellemstykke Spacer Zwischenstück Pièce d'espace | A2V | 1 | 1 | 1 | 1 |
| - | 6201902 | Forskruing Threaded connection Verschraubung Raccord fileté | A2VA | 1 | 1 | 1 | 1 |
| 74 | 1804590 | Skrue Screw Schraube Vis | | 4 | 4 | 4 | 4 |
| 75 | 6105523 | Ventilstempel Valve piston Ventilkolben Piston (de la soupape) | | 1 | 1 | 1 | 1 |
| 76 | 6150693 | Stempelring Ring f. piston Ring f. Kolben Anneau piston | | 1 | 1 | 1 | 1 |

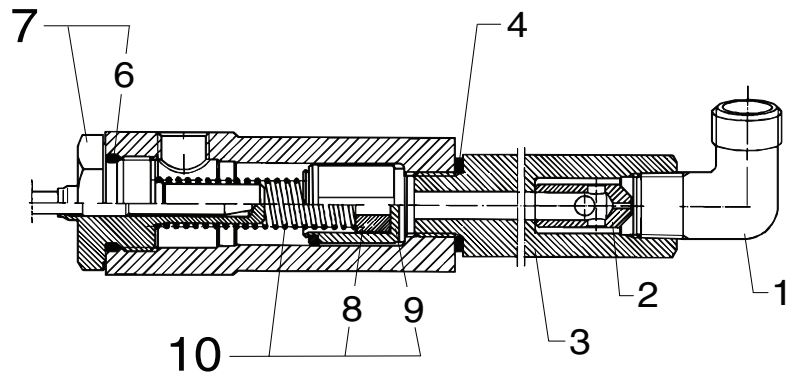
| Pos. Ref. | Nr. No. | Betegnels Bezeichnung | Designation Désignation | 16A2V/VA | 23A2V/VA | 26A2V/VA | 38A2V/VA |
|-----------|---------|---|----------------------------|----------|----------|----------|----------|
| 77 | 3001385 | O-ring O-ring O-Ring Joint torique | | 1 | 1 | 1 | 1 |
| 78 | 6150642 | Bundskruue Screw Schraube Vis | | 1 | 1 | 1 | 1 |
| 79 | 1600311 | Kugle Ball Kugel Bille | | 1 | 1 | 1 | 1 |
| | | | | | | | |
| | | | | | | | |
| | | | | | | | |
| | | | | | | | |
| | | | | | | | |
| | | | | | | | |
| | | | | | | | |
| | | | | | | | |
| | | | | | | | |
| | | | | | | | |
| | | | | | | | |
| | | | | | | | |
| | | | | | | | |
| | | | | | | | |
| | | | | | | | |
| | | | | | | | |
| | | | | | | | |
| | | | | | | | |
| | | | | | | | |
| | | | | | | | |
| | | | | | | | |
| | | | | | | | |
| | | | | | | | |

- A 1119017
- B 1119037
- C 1119310
- D 1119101
- E 1119013
- F 1119038

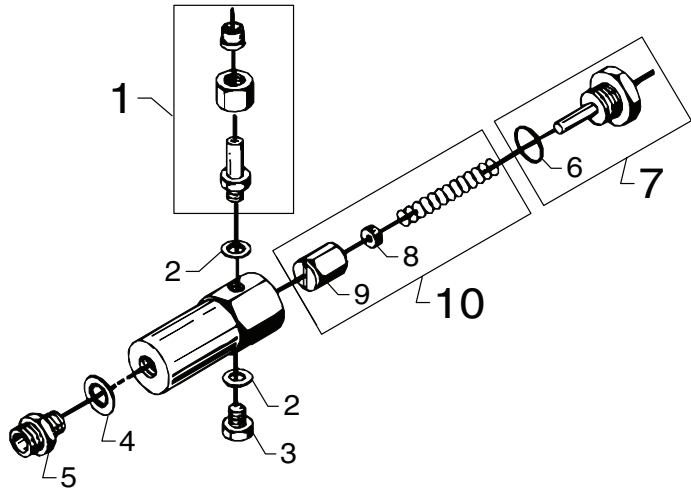


| Pos. Ref. | Nr. No. | Betegnels Bezeichnung | Designation Désignation | 16A2V/VA | 23A2V/VA | 26A2V/VA | 38A2V/VA |
|-----------|----------------|--|----------------------------|----------|----------|----------|----------|
| D | 1119101 | Rep.sæt, omløbsventil Rep.kit, by-pass valve Rep.satz, Umlaufventil Kit de soupape by-pass | | 1 | 1 | 1 | 1 |
| E | 1119013 | Rep.sæt, omløbsventil Rep.kit, by-pass valve Rep.satz, Umlaufventil Kit de soupape by-pass | | 1 | 1 | 1 | 1 |
| F | 1119038 | Rep.sæt, sikkerhedsventil Rep.kit, safety valve Rep.satz, Sicherheitsventil Kit de soupape de sûreté | | 1 | 1 | 1 | 1 |
| 80 | 6105528 | Ventildæksel Valve cover Ventildeckel Couvercle de la soupape | A2V | 1 | 1 | 1 | 1 |
| - | 6201903 | Ventildæksel Valve cover Ventildeckel Couvercle de la soupape | A2VA | 1 | 1 | 1 | 1 |
| 81 | 1602606 | Forskruning Threaded connection Verschraubung Raccord fileté | A2VA | 1 | 1 | 1 | 1 |
| 82 | 6201906 | Afstandsskive Spacer Zwischenstück Pièce d'espace | A2VA | 1 | 1 | 1 | 1 |
| 88 | 3000460 | O-ring O-ring O-Ring Joint torique | | 1 | 1 | 1 | 1 |
| 89 | 6200558 | Skæreringsforskruning Threaded connection Verschraubung Raccord fileté | | 1 | 1 | 1 | 1 |
| 90 | 6221552 | * Udluftningsventil, kompl. Venting valve, compl. Entlüftungsventil, kompl. Vis de purge, compl. | | x | x | x | x |
| 91 | 6221526 | Hus Housing Gehäuse Carter | | 1 | 1 | 1 | 1 |
| 92 | 6221529 | Dæksel Cover Deckel Couvercle | | 1 | 1 | 1 | 1 |
| 93 | 1119317 | Rep.sæt, udluftningsventil Rep.kit, venting valve Rep.satz, Entlüftungsventil Kit de rép., vis de purge | | 1 | 1 | 1 | 1 |
| 94 | 6200497 | Forskruning Threaded connection Verschraubung Raccord fileté | CDN | 1 | | | |
| 95 | 6200494 | Dyse f. temp. reg. Nozzle f. temp. reg. Düse f. Temperaturregulierung Buse p. reg. de la temp. | A2VA | 1 | | | |
| - | 6200495 | Dyse f. temp. reg. Nozzle f. temp. reg. Düse f. Temperaturregulierung Buse p. reg. de la temp. | A2VA | | 1 | | |
| - | 6200496 | Dyse f. temp. reg. Nozzle f. temp. reg. Düse f. Temperaturregulierung Buse p. reg. de la temp. | A2VA | | | 1 | 1 |

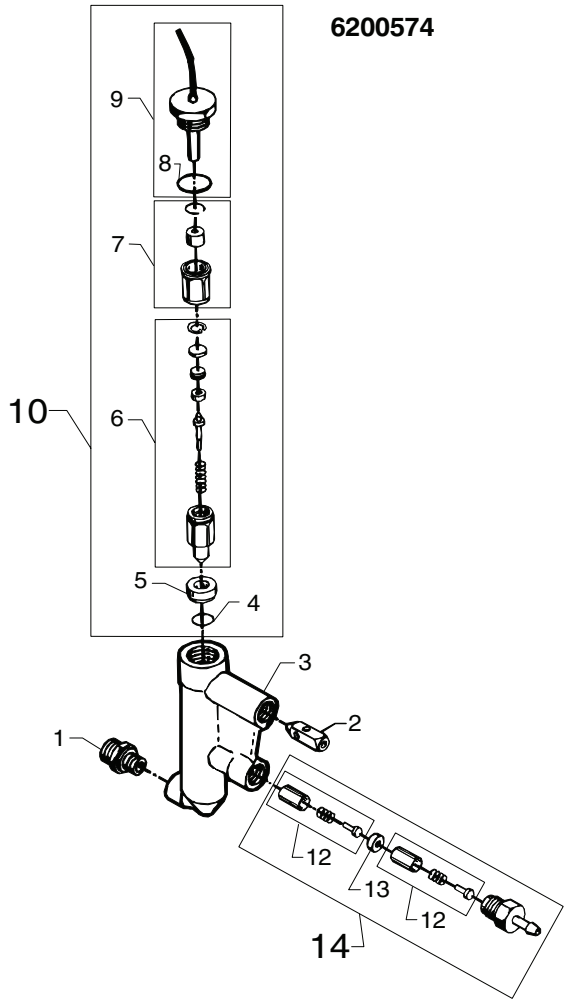
| Pos. Ref. | Nr. No. | Betegnels Bezeichnung | Designation Désignation | 16A2V/VA | 23A2V/VA | 26A2V/VA | 38A2V/VA |
|-----------|---------|--|----------------------------|----------|----------|----------|-------------|
| 15 | - | Motor, komplet Motor, complete Motor, komplett Moteur, compl. | | x | x | x | x |
| - | 6201652 | 60Hz, 3x440V 60Hz, 3x220V (USA) 50Hz, 3x380/220V | | | | | 1 1 1 |
| - | 6201653 | 50Hz, 3x380V 50Hz, 3x380V 50Hz, 3x415-440V | | 1 | | 1 | 1 |
| - | 6201654 | 50Hz, 1x240V 50Hz, 1x220V | | 1 1 | | | |
| - | 6201655 | 50Hz, 3x346/200V 60Hz, 3x200V | | | | 1 1 | 1 1 |
| - | 6201656 | 60Hz, 1x220V 60Hz, 1x220V | | 1 | 1 | | |
| - | 6201657 | 60Hz, 1x115V | | 1 | | | |



6228551



6200574

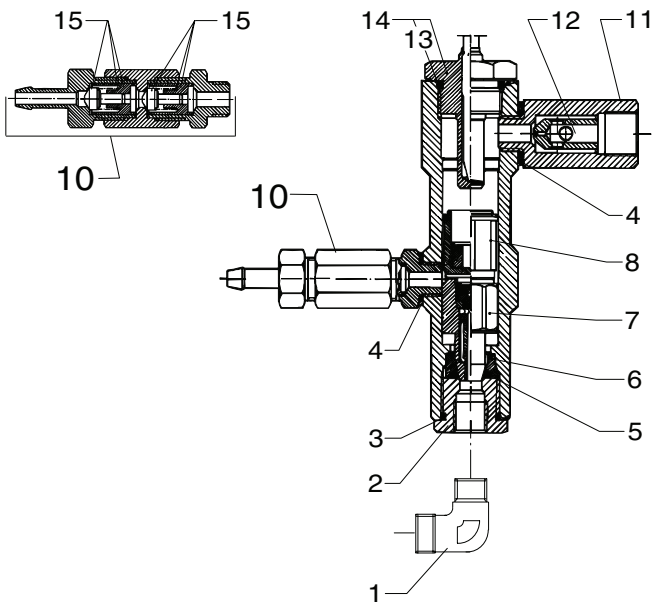


598 75 99 - Jun. 2004

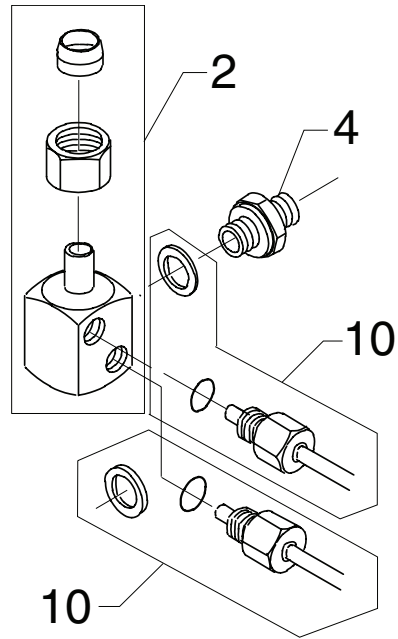
| Pos. Ref. | Nr. No. | Betegnelse Bezeichnung | Designation Désignation | 16A2V/VA | 23A2V/VA | 26A2V/VA | 38A2V/VA |
|-----------|-------------------|---|----------------------------|----------|----------|----------|----------|
| - | 6200550 | Strømningskontakt, pumpe Flow switch, pump | A2V | x | x | x | x |
| - | 6200552 | Strömungsschalter, Pumpe Circulation sélecteur | CDN (1x220V) | x | x | x | x |
| 1 | 1600444 Winkel | Vinkel Elbow Coude | | 1 | 1 | 1 | 1 |
| 2 | 6101038 | Stempel Piston Kolben Piston | | 1 | 1 | 1 | 1 |
| 3 | 6200537 | Hus, kort Housing, short Gehäuse, kurz Corps, court | | 1 | 1 | 1 | 1 |
| - | 6221257 | Hus, lang Housing, long Gehäuse, lang Corps, long | | 1 | 1 | 1 | 1 |
| 4 | 1801075 | Tætningsskive Sealing washer Dichtungsscheibe Rondelle d'étanchéité | | 1 | 1 | 1 | 1 |
| 6 | 3000825 | O-ring O-ring O-Ring Joint torique | | 1 | 1 | 1 | 1 |
| 7 | 6221773 | Reedkontakt m. O-ring Reed switch with O-ring Reedschalter mit O-ring Reed sélecteur avec joint torique | | 1 | 1 | 1 | 1 |
| 8 | 1803485 | Magnet Magnet Magnet Aimant | | 1 | 1 | 1 | 1 |
| 9 | 6200554 | Stempel Piston Kolben Piston | | 1 | 1 | 1 | 1 |
| 10 | 1119701 | Rep.sæt, strømningskontakt Rep.kit, flow switch Rep.satz, Strömungsschalter Kit de rép., circulation sélecteur | | 1 | 1 | 1 | 1 |
| - | 6228551 | Strømningskontrol Flow control, complete | A2V/VA | x | x | x | x |
| 1 | 6200558 | Forskruning Threaded connection Verschraubung Raccord fileté | | 1 | 1 | 1 | 1 |
| 2 | 1803493 | Tætningsskive Sealing washer Dichtungsscheibe Rondelle d'étanchéité | | 2 | 2 | 2 | 2 |
| 3 | 6200529 | Aftapningsprop Drain plug Ablassschraube Bouchon | | 1 | 1 | 1 | 1 |
| 4 | 1801075 | Tætningsskive Sealing washer Dichtungsscheibe Rondelle d'étanchéité | | 1 | 1 | 1 | 1 |
| 5 | 1601079 | Forskruning Threaded connection Verschraubung Raccord fileté | | 1 | 1 | 1 | 1 |
| 6 | 3000825 | O-ring O-ring O-Ring Joint torique | | 1 | 1 | 1 | 1 |
| 7 | 6221773 | Reedkontakt m. O-ring Reed switch with O-ring Reedschalter mit O-ring Reed sélecteur avec joint torique | | 1 | 1 | 1 | 1 |

| Pos. Ref. | Nr. No. | Betegnelse Bezeichnung | Designation Désignation | 16A2V/VA | 23A2V/VA | 26A2V/VA | 38A2V/VA |
|-----------|----------------|---|----------------------------|----------|----------|----------|----------|
| 8 | 1803485 | Magnet Magnet Magnet Aimant | | 1 | 1 | 1 | 1 |
| 9 | 6200554 | Stempel Piston Kolben Piston | | 1 | 1 | 1 | 1 |
| 10 | 1119701 | Rep.sæt, strømningskontakt Rep.kit, flow switch Rep.satz, Strömungsschalter Kit de rép., circulation sélecteur | | 1 | 1 | 1 | 1 |
| - | 6200574 | Strømningskontrol, komplet Flow control, compl. | 01.02.90 ⇒ | x | x | x | x |
| 1 | 1602770 | Forskruning Threaded connection Verschraubung Raccord fileté | | 1 | 1 | 1 | 1 |
| 2 | 6101038 | Stempel Piston Kolben Piston | | 1 | 1 | 1 | 1 |
| 3 | 6201545 | Hus Housing Gehäuse Corps | | 1 | 1 | 1 | 1 |
| 4 | 3001112 | O-ring O-ring O-Ring Joint torique | | 1 | 1 | 1 | 1 |
| 5 | 6201534 | Sæde Seat Sitz Siège | | 1 | 1 | 1 | 1 |
| 6 | 6350463 | Stempel, kompl. Piston, compl. Kolben, kompl. Piston, compl. | | 1 | 1 | 1 | 1 |
| 7 | 6350454 | Stempel, kompl. Piston, compl. Kolben, kompl. Piston, compl. | | 1 | 1 | 1 | 1 |
| 8 | 3000825 | O-ring O-ring O-Ring Joint torique | | 1 | 1 | 1 | 1 |
| 9 | 6221773 | Reedkontakt m. O-ring Reed switch with O-ring Reedschalter mit O-ring Reed sélecteur avec joint torique | | 1 | 1 | 1 | 1 |
| 10 | 1119319 | Rep.sæt, strømningskontrol Rep.kit, flow control Rep.satz, Strömungswächter Kit de rép., contrôleur de débit | | 1 | 1 | 1 | 1 |
| 12 | 1119566 | Rep. sæt, kontraventil Rep. kit, nonreturn valve Rep. satz, Rückschlagventil Kit de rép., clapet anti-retour | | 2 | 2 | 2 | 2 |
| 13 | 6201535 | Sæde Seat Sitz Siège | | 1 | 1 | 1 | 1 |
| 14 | 1119318 | Rep.sæt, kontraventil Rep.kit, nonreturn valve Rep.satz, Rückschlagventil Kit de rép., clapet anti retour | | 1 | 1 | 1 | 1 |

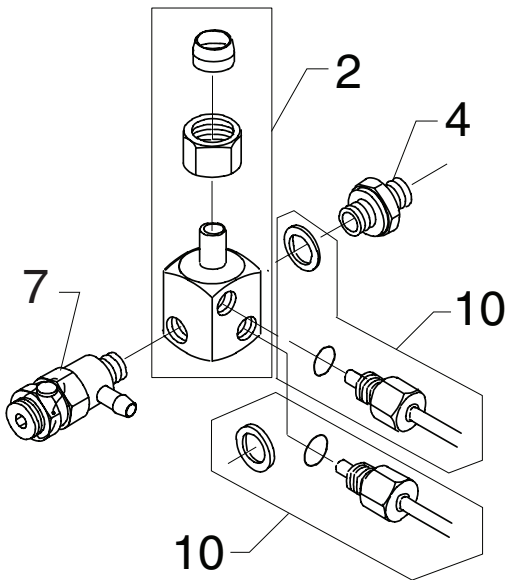
6200939



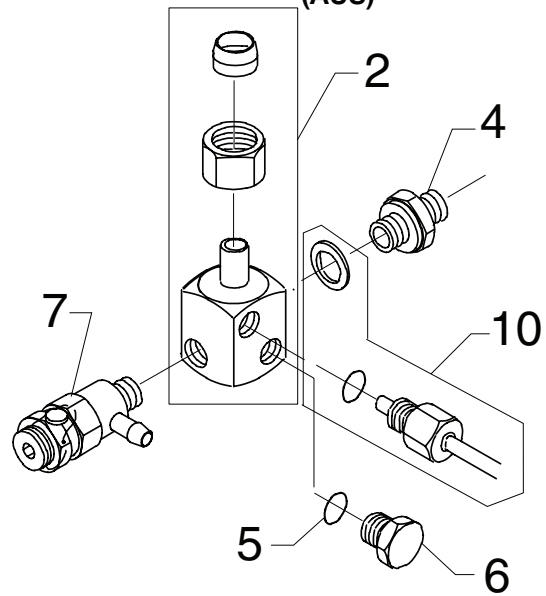
(N, S)



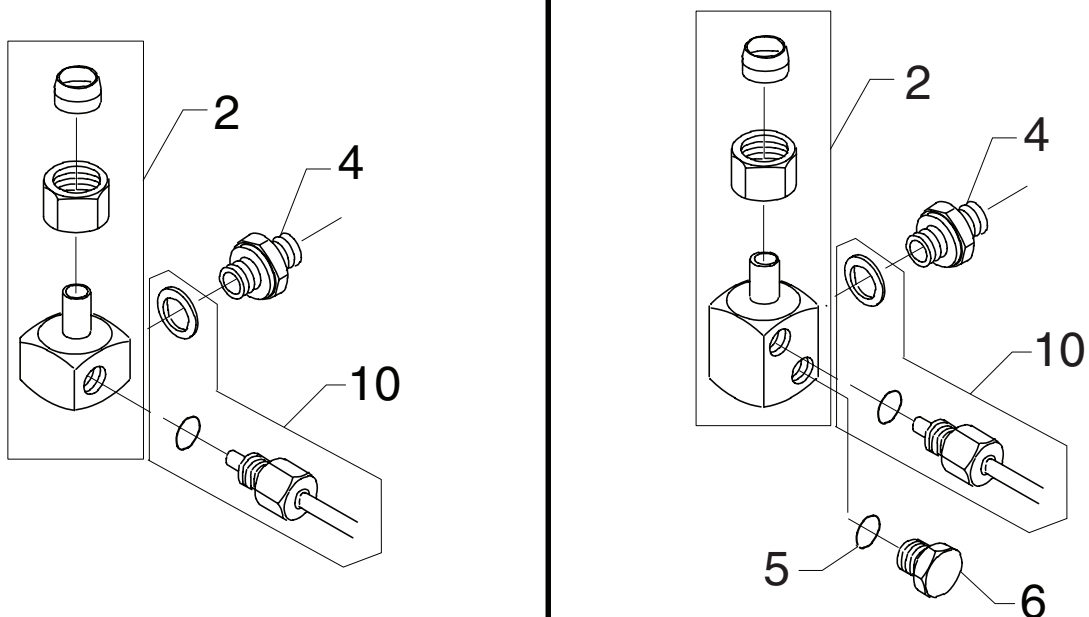
(CDN)



(AUS)



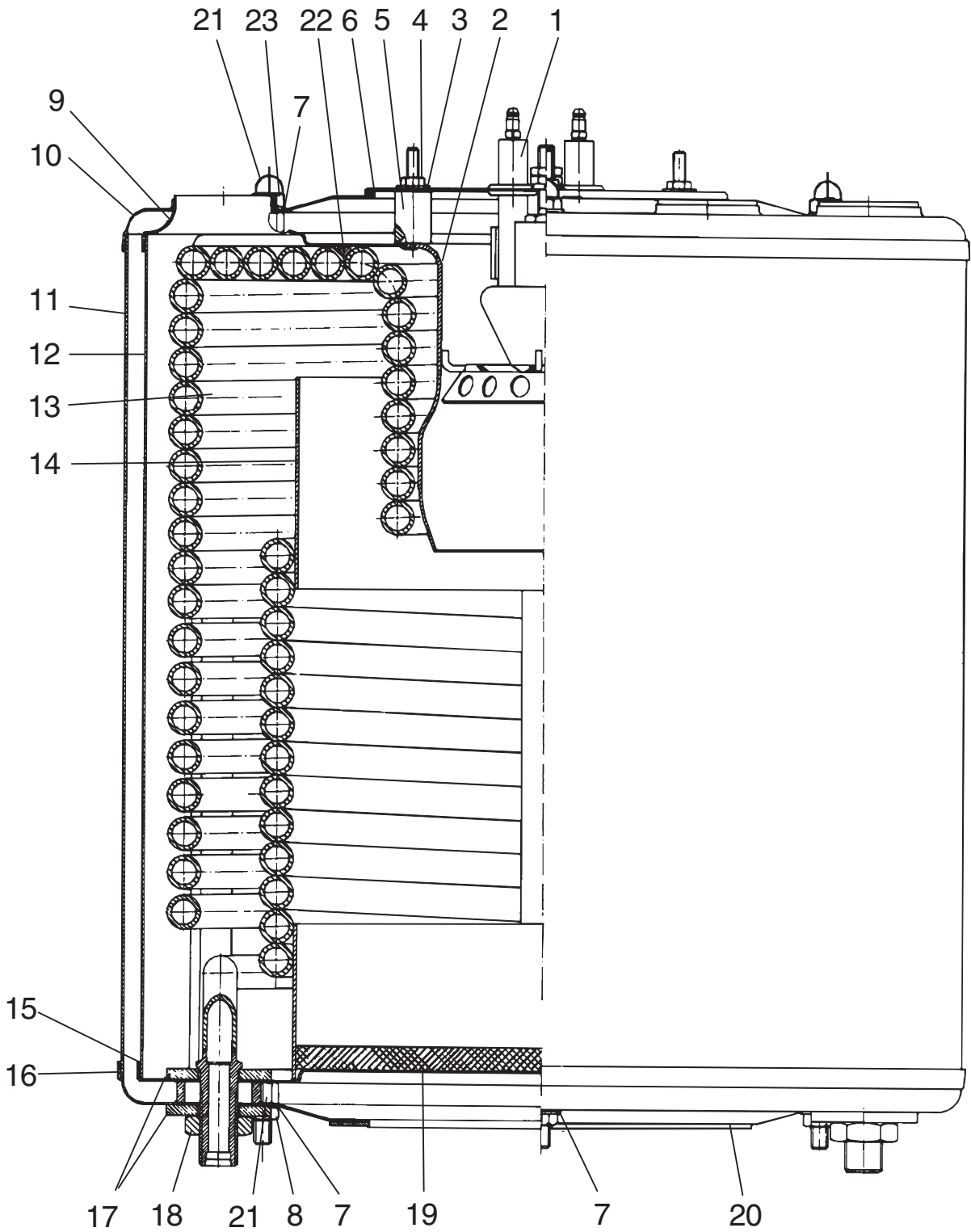
(SF)



| Pos. Ref. | Nr. No. | Betegnelse Bezeichnung | Designation Désignation | 16A2/V/A | 23A2/V/A | 26A2/V/A | 38A2/V/A |
|-----------|----------------|---|----------------------------|----------|----------|----------|----------|
| - | 6200939 | Strömungskontakt (start/stop) Flow switch (s/s) ⇒ 01.02.90 Strömungsschalter (Start/Stop) Circulation sélecteur (marche/arr.) | | x | x | x | x |
| 1 | 1603119 | Vinkel Elbow Winkel Raccord coudé | | 1 | 1 | 1 | 1 |
| 2 | 6300438 | Omløber Union nut Überwurfmutter Ecrou-raccord | | 1 | 1 | 1 | 1 |
| 3 | 3000262 | O-ring O-ring O-Ring Joint torique | | 1 | 1 | 1 | 1 |
| 4 | 1803493 | Tætningsskive Sealing washer Dichtungsscheibe Rondelle d'étanchéité | | 2 | 2 | 2 | 2 |
| 5 | 3001112 | O-ring O-ring O-Ring Joint torique | | 1 | 1 | 1 | 1 |
| 6 | 6350625 | Sæde Seat Sitz Siège | | 1 | 1 | 1 | 1 |
| 7 | 6350463 | Stempel, kompl. Piston, kompl. Kolben, kompl. Piston, kompl. | | 1 | 1 | 1 | 1 |
| 8 | 6350454 | Stempel, kompl. Piston, kompl. Kolben, kompl. Piston, kompl. | | 1 | 1 | 1 | 1 |
| 10 | 6200938 | Kontraventil, kompl. Nonreturn valve, compl. Rückschlagventil, kompl. Clapet anti-retour, compl. | | 1 | 1 | 1 | 1 |
| 11 | 6220530 | Hus Housing Gehäuse Corps | | 1 | 1 | 1 | 1 |
| 12 | 6101038 | Stempel Piston Kolben Piston | | 1 | 1 | 1 | 1 |
| 13 | 3000825 | O-ring O-ring O-Ring Joint torique | | 1 | 1 | 1 | 1 |
| 14 | 6221773 | Reedkontakt m. O-ring Reed switch with O-ring Reedschalter mit O-ring Reed sélecteur avec joint torique | | 1 | 1 | 1 | 1 |
| 15 | 1119566 | Rep. sæt, kontraventil Rep. kit, nonreturn valve Rep. satz, Rückschlagventil Kit de rép., clapet anti-retour | | 2 | 2 | 2 | 2 |
| - | 6201358 | Spiralafgangsvinkel, komplet Outlet for coil, elbow Auslass für Heizschlange, Winkel Sortie serpentin coudée, compl. | CDN | x | x | x | x |
| 2 | 6220368 | Spiralafgangsvinkel Outlet for coil, elbow Auslass für Heizschlange Sortie serpentin coudée | | 1 | 1 | 1 | 1 |
| 4 | 1601079 | Forskruning Threaded connection Verschraubung Raccord fileté | | 1 | 1 | 1 | 1 |
| 7 | 6220583 | Sikkerhedsventil Safety valve Überdruckventil Soupape de sûreté | | 1 | 1 | 1 | 1 |
| 10 | 1119011 | Rep.sæt, spiralafgangsvinkel Rep.kit, Outlet coil, elbow Satz, Auslass Heizschlange, Winkel Kit de rép., sortie serpentin coudée | | 2 | 2 | 2 | 2 |

| Pos. Ref. | Nr. No. | Betegnelse Bezeichnung | Designation Désignation | 16A2/V/A | 23A2/V/A | 26A2/V/A | 38A2/V/A |
|-----------|----------------|---|----------------------------|----------|----------|----------|----------|
| - | 6228350 | Spiralafgangsvinkel, komplet Outlet for coil, elbow, complete Auslass für Heizschlange, Winkel Sortie serpentin coudée, compl. | | x | x | x | x |
| 2 | 6200360 | Spiralafgangsvinkel Outlet for coil, elbow Auslass für Heizschlange Sortie serpentin coudée | | 1 | 1 | 1 | 1 |
| 4 | 1601079 | Forskruning Threaded connection Verschraubung Raccord fileté | | 1 | 1 | 1 | 1 |
| 10 | 1119011 | Rep.sæt, spiralafgangsvinkel Rep.kit, Outlet coil, elbow Satz, Auslass Heizschlange, Winkel Kit de rép., sortie serpentin coudée | | 1 | 1 | 1 | 1 |
| - | 6228354 | Spiralafgangsvinkel, komplet Outlet for coil, elbow Auslass für Heizschlange, Winkel Sortie serpentin coudée, compl. | N, S | x | x | x | x |
| 2 | 6200381 | Spiralafgangsvinkel Outlet for coil, elbow Auslass für Heizschlange Sortie serpentin coudée | | 1 | 1 | 1 | 1 |
| 4 | 1601079 | Forskruning Threaded connection Verschraubung Raccord fileté | | 1 | 1 | 1 | 1 |
| 10 | 1119011 | Rep.sæt, spiralafgangsvinkel Rep.kit, Outlet coil, elbow Satz, Auslass Heizschlange, Winkel Kit de rép., sortie serpentin coudée | | 2 | 2 | 2 | 2 |
| - | 6228357 | Spiralafgangsvinkel, komplet Outlet for coil, elbow, complete f. AUS Auslass für Heizschlange, Winkel, komp. Sortie serpentin coudée, compl. | | x | x | x | x |
| 2 | 6220368 | Spiralafgangsvinkel Outlet for coil, elbow Auslass für Heizschlange Sortie serpentin coudée | | 1 | 1 | 1 | 1 |
| 4 | 1601079 | Forskruning Threaded connection Verschraubung Raccord fileté | | 1 | 1 | 1 | 1 |
| 6 | 6200491 | Prop Plug Pfropfen Bouton | | 1 | 1 | 1 | 1 |
| 7 | 6220584 | Sikkerhedsventil Safety valve Überdruckventil Soupape de sûreté | | 1 | 1 | 1 | 1 |
| 10 | 1119011 | Rep.sæt, spiralafgangsvinkel Rep.kit, Outlet coil, elbow Rep.satz, Auslass Heizschlange, Winkel Kit de rép., sortie serpentin coudée | | 1 | 1 | 1 | 1 |
| - | 6228355 | Spiralafgangsvinkel, komplet Outlet for coil, elbow Auslass für Heizschlange, Winkel Sortie serpentin coudée, compl. | SF | x | x | x | x |
| 2 | 6200381 | Spiralafgangsvinkel Outlet for coil, elbow Auslass für Heizschlange Sortie serpentin coudée | | 1 | 1 | 1 | 1 |
| 4 | 1601079 | Forskruning Threaded connection Verschraubung Raccord fileté | | 1 | 1 | 1 | 1 |
| 5 | 3000973 | O-ring O-ring O-Ring Joint torique | | 1 | 1 | 1 | 1 |
| 6 | 6200491 | Prop Plug Pfropfen Bouton | | 1 | 1 | 1 | 1 |
| 10 | 1119011 | Rep.sæt, spiralafgangsvinkel Rep.kit, Outlet coil, elbow Satz, Auslass Heizschlange, Winkel Kit de rép., sortie serpentin coudée | | 2 | 2 | 2 | 2 |

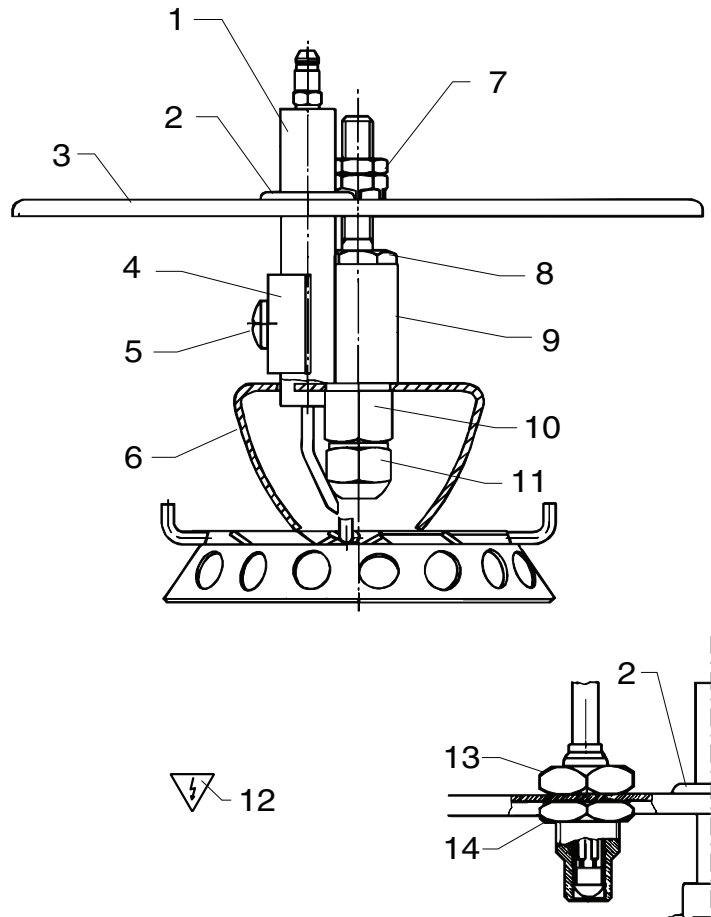
Kedel / Boiler / Kessel / Chaudière



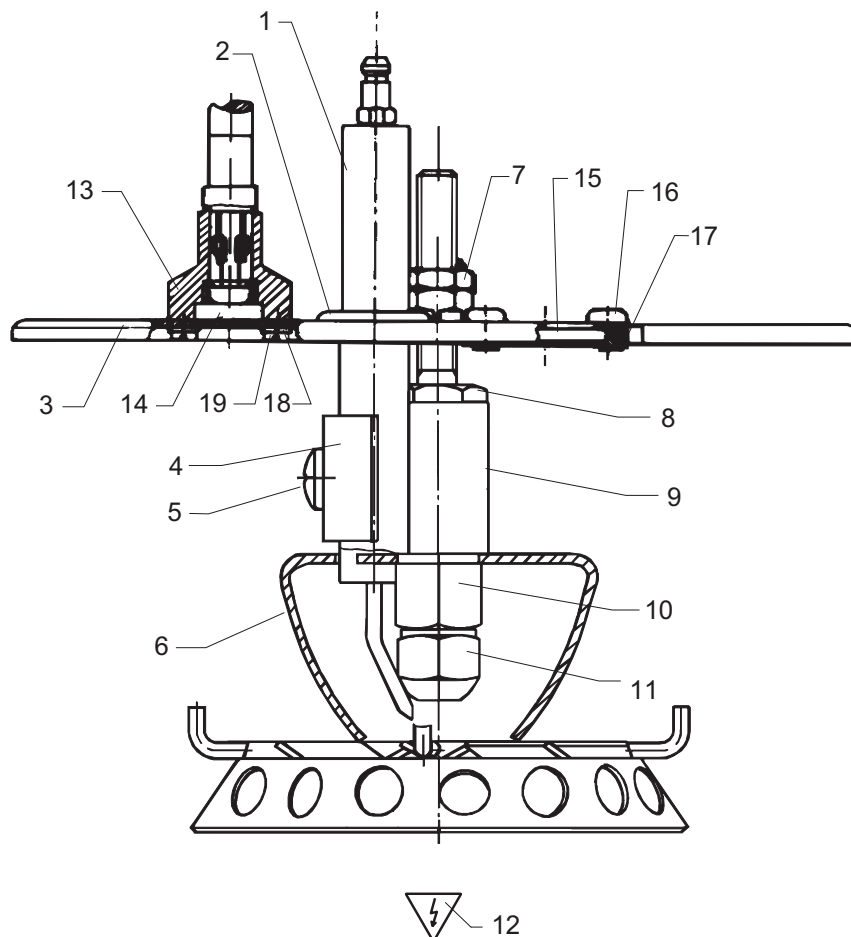
| Pos. Ref. | Nr. No. | Betegnelse Bezeichnung | Designation Désignation | 16A2V/VA | 23A2V/VA | 26A2V/VA | 38A2V/VA |
|-----------|---------|--|----------------------------|---|----------|----------|----------|
| 5 | - | Kedel, komplet Boiler, complete Kessel, komplett Chaudière, compl. | | x | x | x | x |
| 1 | - | Lufftdelers, komplet Air distributor, complete Luftverteiler, komplett Distributeur d'air, compl. | | Se side 27 See page 27 Siehe Seite 27 Voir page 27 | | | |
| 2 | 6200350 | Brænderrør Burner tube Brennrør Tube du brûleur | | 1 | 1 | 1 | 1 |
| - | 6201353 | Brænderrør Burner tube Brennrør Tube du brûleur | CDN | 1 | | | |
| 3 | 1800440 | Skive Washer Scheibe Rondelle | M6 | 3 | 3 | 3 | 3 |
| - | 1800903 | Skive Washer Scheibe Rondelle | CDN | 3 | | | |
| 4 | 1800705 | Møtrik Nut Mutter Écrou | M6 | 3 | 3 | 3 | 3 |
| 5 | 6200281 | Afstandsstykke Spacer Zwischenstück Pièce d'espace | | 3 | 3 | 3 | 3 |
| 6 | 3001104 | O-ring O-ring O-Ring Joint torique | ø 164,3x3 | 1 | 1 | 1 | 1 |
| 7 | 1800796 | Skive Washer Scheibe Rondelle | M8 | 7 | 7 | 7 | 7 |
| 8 | 1803725 | Møtrik Nut M8 Mutter Écrou | | 3 | 3 | 3 | 3 |
| 9 | 6200354 | Kedeltop, indvending Boiler, top section, inner Kessel, oberer Teil, innen Chaudière, part sup., intérieure | | 1 | 1 | 1 | 1 |
| 10 | 6200250 | Kedeltop, udvendig Boiler, top section, outer Kessel, oberer Teil, aussen Chaudière, part sup., extérieure | | 1 | 1 | 1 | 1 |
| 11 | 6200256 | Ydersvøb Outer jacket Aussenmantel Jupe externe | | 1 | 1 | 1 | 1 |
| 12 | 6200255 | Indersvøb Inner jacket Innenmantel Jupe interne | | 1 | 1 | 1 | 1 |
| 13 | - | Spiral Coil Heizschlange Serpentin | | 1 | 1 | 1 | 1 |
| - | 6200390 | Gul, yellow, gelb, jaune | | 1 | 1 | 1 | |
| - | 6201359 | Hvid, white, weiss, blanc | | | | | 1 |
| 14 | - | Flammerør Flame tube Flammrohr Tube à flammes | | 1 | 1 | 1 | 1 |
| - | 6200389 | 38A2V/VA | | | | | 1 |
| - | 6200359 | 16-23-26A2V/VA | | 1 | 1 | 1 | |
| 15 | 6200253 | Kedelbund, indvending Boiler, bottom sect., inner Kessel, Unterteil, innen Chaudière, fond, intérieur | | 1 | 1 | 1 | 1 |

| Pos. Ref. | Nr. No. | Betegnelse Bezeichnung | Designation Désignation | 16A2V/VA | 23A2V/VA | 26A2V/VA | 38A2V/VA |
|-----------|---------|--|----------------------------|----------|----------|----------|----------|
| - | 6220277 | Kedelbund, indvending Boiler, bottom sect., inner Kessel, Unterteil, innen Chaudière, fond, intérieur | CDN | 1 | | | |
| 16 | 6200355 | Kedelbund, udvendig Boiler, bottom sect., outer Kessel, Unterteil, aussen Chaudière, fond, extérieur | | 1 | 1 | 1 | 1 |
| - | 6220367 | Kedelbund, udvendig Boiler, bottom sect., outer Kessel, Unterteil, aussen Chaudière, fond, extérieur | CDN | 1 | | | |
| 17 | 6200273 | Skive Washer Scheibe Rondelle | | 4 | 4 | 4 | 4 |
| 18 | 1803220 | Kontramøtrik Lock nut Gegenmutter Contre écrou | M 18x1,5 | 2 | 2 | 2 | 2 |
| 19 | 6240257 | Isolering Insulating covering Isolierschicht Isolant | | 1 | 1 | 1 | 1 |
| 20 | 6200282 | Pakning Gasket Dichtung Joint | | 1 | 1 | 1 | 1 |
| 21 | 6200286 | Møtrik Nut Mutter Écrou | | 6 | 6 | 6 | 6 |
| 22 | 6200299 | Paksnor Gasket (cord) Dichtungsschnur Ficelle de garniture | L=700 | 1 | 1 | 1 | 1 |
| 23 | 1807528 | Møtrik Nut Mutter Écrou | M 8 | 3 | 3 | 3 | 3 |
| 24 | 1801026 | Møtrik Nut Mutter Écrou | CDN | 1 | | | |
| 25 | 3001427 | Gennemføring Lead-in bush Durchführungsstülpe Traversée | CDN | 1 | | | |
| 26 | 6220275 | Drænstuds Drain socket Ablassstutzen Raccord (vidange) | CDN | 1 | | | |

Luftfordeler / Air distributor / Luftverteiler / Distributeur d'air



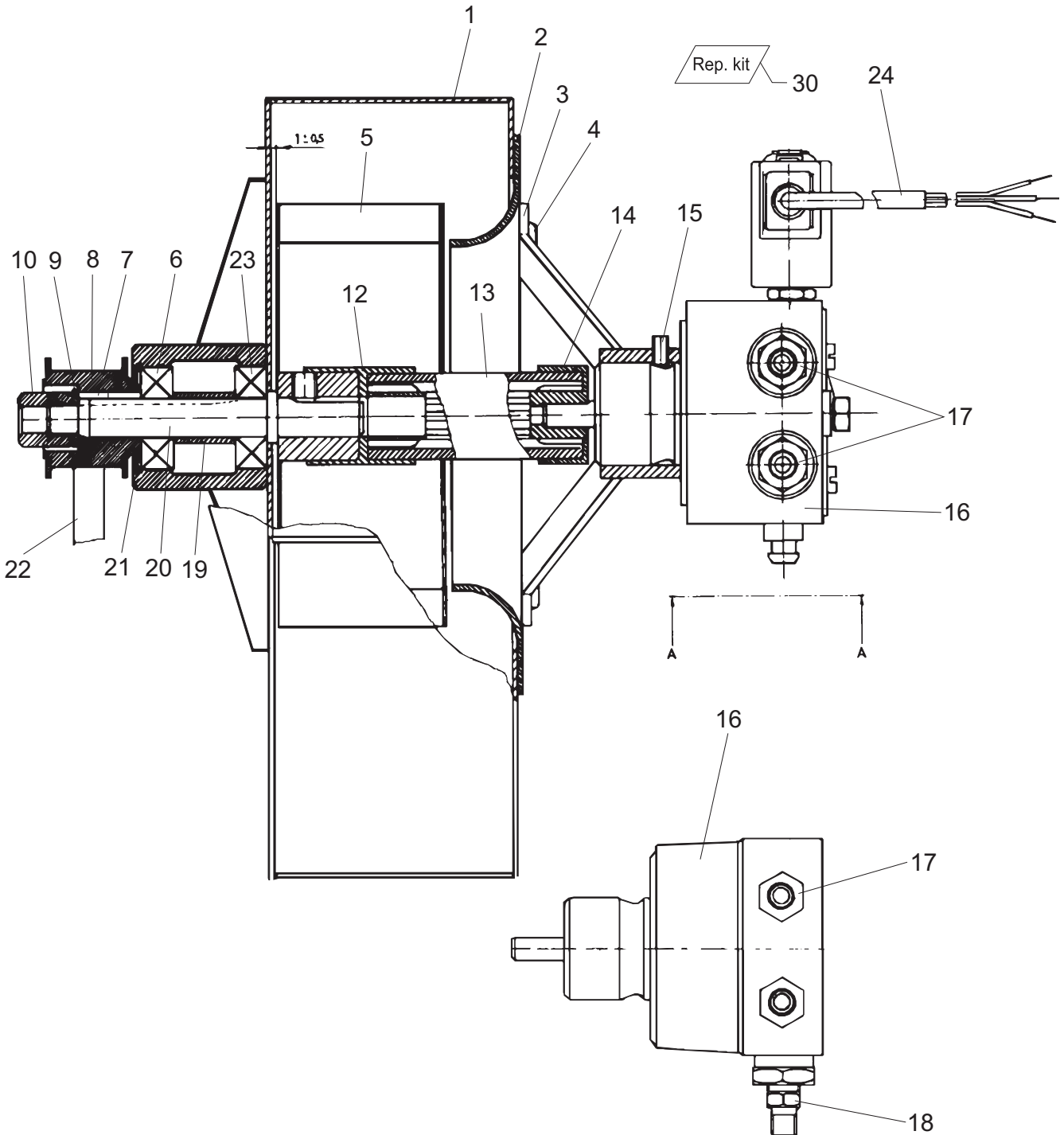
CDN



| Pos. Ref. | Nr. No. | Betegneelse Bezeichnung | Designation Désignation | 16A21/VA | 23A21/VA | 26A21/VA | 38A21/VA |
|-----------|---------|---|------------------------------|----------|----------|----------|----------|
| - | 6200367 | Luftfordeler, kompl. Air distributor Luftverteiler, komplett Distributeur d'air, compl. | ⇒ 01.10.94 | x | x | x | x |
| - | 6200375 | Luftfordeler m. føler, komplet Air distributor w. sensor, compl. Luftverteiler m. Fühler, komplett Distributeur d'air a. sonde, compl. | | | | x | |
| - | 6201354 | Luftfordeler m. føler, komplet Air distributor w. sensor Luftverteiler m. Fühler, komplett Distributeur d'air a. sonde, compl. | CDN | x | | | |
| 1 | 6200298 | Tændelegrode Initiating electrode Zündelegrode Electrode | | 1 | 1 | 1 | 1 |
| - | 6220264 | Tændelegrode Initiating electrode Zündelegrode Electrode | CDN | 1 | | | |
| 2 | 3001427 | Gennemføringsbøsning Rubber lead-in Gummidichtung Support de caoutchouc | | 2 | 2 | 2 | 2 |
| 3 | 6200364 | Dæksel Cover Deckel Couvercle | CDN ⇒ 01.10.94 | 1 | 1 | 1 | 1 |
| 3 | 6200373 | Dæksel til luftfordeler m. føler Cover for air distributor w. sensor Deckel für Luftverteiler m. Fühler Couvercle p. distrib. d'air a. sonde | | 1 | 1 | 1 | 1 |
| 4 | 6200260 | Bøjle Clamp Bügel Collier | | 1 | 1 | 1 | 1 |
| 5 | 1801273 | Skrue Screw Schraube Vis | M 6x12 | 1 | 1 | 1 | 1 |
| 6 | 6200365 | Luftfordeler Air distributor Luftverteiler Distributeur d'air | | 1 | 1 | 1 | 1 |
| - | 6220266 | Luftfordeler Air distributor Luftverteiler Distributeur d'air | CDN | 1 | | | |
| 7 | 1803402 | Kontramøtrik Lock nut Gegenmutter Contre écrou | M 8x1 | 1 | 1 | 1 | 1 |
| 8 | 6200296 | Møtrik Nut Mutter Écrou | | 1 | 1 | 1 | 1 |
| 9 | 6200297 | Elektrodeholder Holder f. electrode Halter f. Elektrode Support d'électrode | | 1 | 1 | 1 | 1 |
| 10 | 6220250 | Dyseholder Holder f. nozzle Düsensitz Support du buse | | 1 | 1 | 1 | 1 |
| 11 | 2800548 | Dyse Nozzle Düse Buse | 7,49 kg | 1 | 1 | 1 | 1 |
| 12 | 4206082 | Lynsymbol Symbol - lightning Symbol - Blitz Symbole - éclair | | 1 | 1 | 1 | 1 |
| (13) | 6201887 | Smeltesikring, kompl. Fuse, compl. Schmelzsicherung, kompl. Fusible, compl. | ⇒ 01.10.94 ^D | 1 | 1 | 1 | 1 |
| 13 | 6220841 | Føler f. flammeovervågning Sensor f. flame control Fühler f. Flammenüberwachung Sonde - contrôle flammes | CDN | 1 | | | |

| Pos. Ref. | Nr. No. | Betegneelse Bezeichnung | Designation Désignation | 16A21/VA | 23A21/VA | 26A21/VA | 38A21/VA |
|-----------|---------|---|----------------------------|----------|----------|----------|----------|
| 13 | 6200301 | Føler f. flammeovervågning Sensor f. flame control Fühler f. Flammenüberwachung Sonde - contrôle flammes | | | | | 1 |
| 14 | 1803535 | Kontramøtrik Lock nut 1/4"x5 Gegenmutter Contre écrou | | | | | 1 |
| 14 | 6220285 | Glas f. flammeovervågning Transparent cover Transparenter Deckel Couvercle transparent | CDN | 1 | | | |
| 15 | 6220273 | Inspektionsglas Inspection glass Schauglas Couvercle d'inspection | CDN | 1 | | | |
| 16 | 1800391 | Skrue Screw Schraube Vis | CDN | 2 | | | |
| 17 | 6220272 | Brille Holder Halterung Support | CDN | 1 | | | |
| 18 | 1801281 | Skrue Washer Scheibe Rondelle | CDN | 2 | | | |
| 19 | 1803248 | Skrue Screw Schraube Vis | CDN | 2 | | | |
| | | | | | | | |
| | | | | | | | |
| | | | | | | | |
| | | | | | | | |
| | | | | | | | |
| | | | | | | | |
| | | | | | | | |
| | | | | | | | |
| | | | | | | | |
| | | | | | | | |
| | | | | | | | |
| | | | | | | | |
| | | | | | | | |
| | | | | | | | |
| | | | | | | | |
| | | | | | | | |
| | | | | | | | |
| | | | | | | | |
| | | | | | | | |
| | | | | | | | |
| | | | | | | | |
| | | | | | | | |

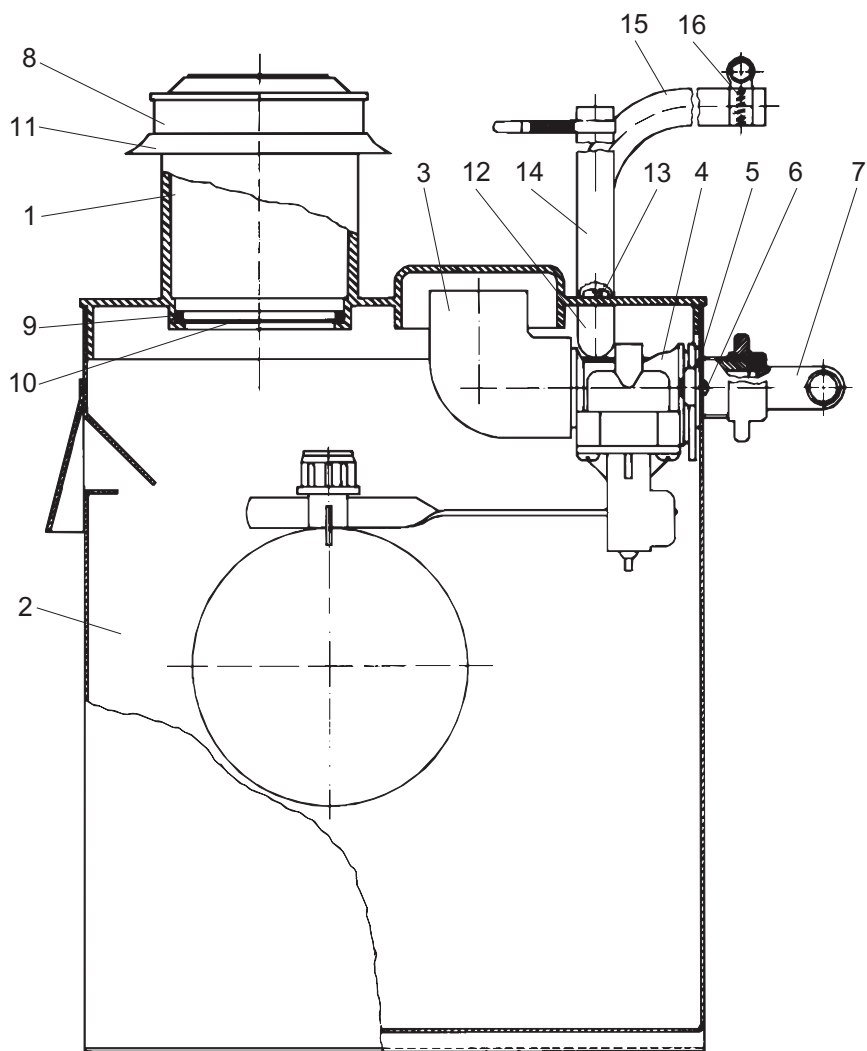
Bläser / Fan / Gebläse / Ventilateur



| Pos. Ref. | Nr. No. | Betegnelse Bezeichnung | Designation Désignation | 16A2V/VA | 23A2V/VA | 26A2V/VA | 38A2V/VA |
|-----------|---------|--|--------------------------------|----------|----------|----------|----------|
| - | - | Blæser, komplet Fan, complete Gebläse, komplett Ventilateur, compl. | | | | | |
| - | - | 50 Hz | | x | | x | x |
| - | - | 50Hz | AUS, SGP, HK,NZ, E, F | x | | | |
| - | - | 50Hz | GB | x | | | |
| - | - | 50Hz | GB | | | | x |
| - | - | 60Hz | CDN | x | | | |
| - | - | 60 Hz | J, USA, SJ, ROK, CN,SGP | | | x | x |
| - | - | 60 Hz | USA | | x | x | |
| 1 | 6200457 | Blæserhus Fan housing Gehäuse für Gebläse Carter ventilateur | | 1 | 1 | 1 | 1 |
| 2 | 6200423 | Indsugningstragt Suction funnel Saugtrichter Entonnoir d'aspiration | | 1 | 1 | 1 | 1 |
| 3 | 6200458 | Oliepumpekonsol Bracket for fuel pump Stützplatte f. Brennstoffpumpe Support pompe à fuel | | 1 | 1 | 1 | 1 |
| 4 | 1803956 | Taptite skrue Taptite screw Taptite Schraube Vis Taptite | M4x12 | 4 | 4 | 4 | 4 |
| 5 | 6200412 | Blæserhjul Impeller Gebläserad Ventilateur | | 1 | 1 | 1 | 1 |
| 6 | 3200680 | Kugleleje Ball bearing Kugellager Roulement à billes | | 1 | 1 | 1 | 1 |
| 7 | 3200995 | Feder Key Federkeil Clavette | | 1 | 1 | 1 | 1 |
| 8 | 6200468 | Remskive Pulley Riemenscheibe Poulie | | | | 1 | 1 |
| - | 6200469 | Remskive Pulley Riemenscheibe Poulie | | 1 | 1 | | |
| 9 | 1800309 | Skive Washer Scheibe Rondelle | | 1 | 1 | 1 | 1 |
| 10 | 6200436 | Møtrik Nut Mutter Ecrou | M 10 | 1 | 1 | 1 | 1 |
| 12 | 3800984 | Kobling Coupling Kupplung Accouplement | | 1 | 1 | 1 | 1 |
| 13 | 3801008 | Koblingsslange Hose f. coupling Schlauch f. Kupplung Tuyau p. accouplement | | 1 | 1 | 1 | 1 |
| 14 | 3800992 | Kobling Coupling Kupplung Accouplement | | 1 | 1 | 1 | 1 |
| 15 | 1801091 | Skrue Screw Schraube Vis | M 5x10 | 1 | 1 | 1 | 1 |
| 16 | 3821320 | Oliepumpe, m. spole Fuel pump, w. coil Brennstoffpumpe, m. Spule Pompe à fuel, a. bobine | (Danfoss) | 1 | 1 | 1 | 1 |

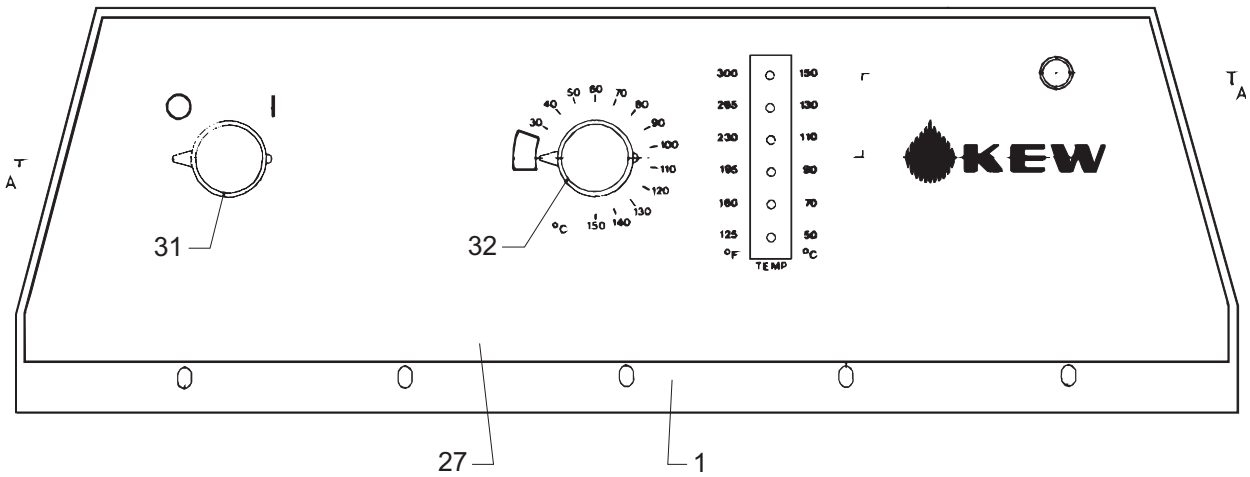
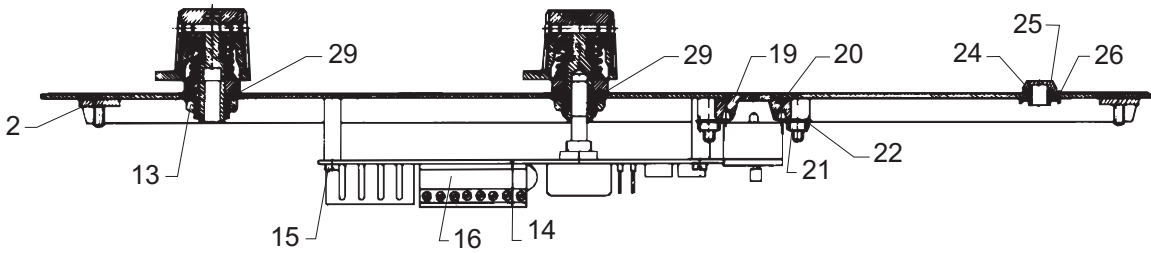
| Pos. Ref. | Nr. No. | Betegnelse Bezeichnung | Designation Désignation | 16A2V/VA | 23A2V/VA | 26A2V/VA | 38A2V/VA |
|-----------|---------|---|-----------------------------|----------|----------|----------|----------|
| - | 6184943 | Oliepumpe, m. spole Fuel pump, w. coil Brennstoffpumpe, m. Spule Pompe à fuel, a. bobine | CDN (Suntec) | 1 | 1 | 1 | 1 |
| - | 1119214 | Rep.sæt, filter & pakning Rep.kit, filter & gasket Rep.satz, Filter & Dichtung Kit de rép., Filtre & joint | (Suntec) | x | x | x | x |
| - | 1119217 | Rep.sæt, filter & pakning Rep.kit, filter & gasket Rep.satz, Filter & Dichtung Kit de rép., Filtre & joint | (Danfoss) | x | x | x | x |
| - | 1814045 | Møtrik Nut Mutter Ecrou | (Suntec) | 1 | 1 | 1 | 1 |
| - | 3820305 | Spole Coil Spule Bobine | (Suntec) | 1 | 1 | 1 | 1 |
| - | 3821089 | Spole, med møtrik og skive Coil, with nut and washer Spule, mit Mutter und Scheibe Bobine, a. écrou + rondelle | (Danfoss) | 1 | 1 | 1 | 1 |
| 17 | 1600527 | Slangestuds Hose union Schlauchstutzen Raccord de tuyau | | 2 | 2 | 2 | 2 |
| 18 | 1603422 | Forskruning Threaded connection Verschraubung Raccord fileté | | 1 | 1 | 1 | 1 |
| 19 | 6200409 | Afstandsbøsning Spacer bushing Distanzbuchse Baque | | 1 | 1 | 1 | 1 |
| 20 | 6201402 | Aksel Shaft Welle Arbre | | 1 | 1 | 1 | 1 |
| 21 | 1803477 | Seegerring Seeger circlip ring Seeger-Ring Anneau Seeger | | 1 | 1 | 1 | 1 |
| 22 | 6200426 | Fladrem Belt, 50Hz Riemen Courroie | 642x10 mm | 1 | 1 | 1 | 1 |
| - | 6200428 | Fladrem Belt, 60Hz Riemen Courroie | 627x10 mm | 1 | 1 | 1 | 1 |
| 23 | 3201019 | Kugleleje Ball bearing Kugellager Roulement à billes | | 1 | 1 | 1 | 1 |
| 24 | 3812872 | Ledning f. oliepumpe Cable f. fuel pump Leitung f. Brennstoffpumpe Câble p. pompe à fuel | | | | 1 | 1 |
| - | 6200224 | Remskærm Guard f. belt Schutzplatte f. Riemen Tôle protectrice de la courroie | GB, AUS, HK, SGP, NZ | 1 | | | |

Svømmerhus / Float chamber / Schwimmergehäuse / Bac à flotteur



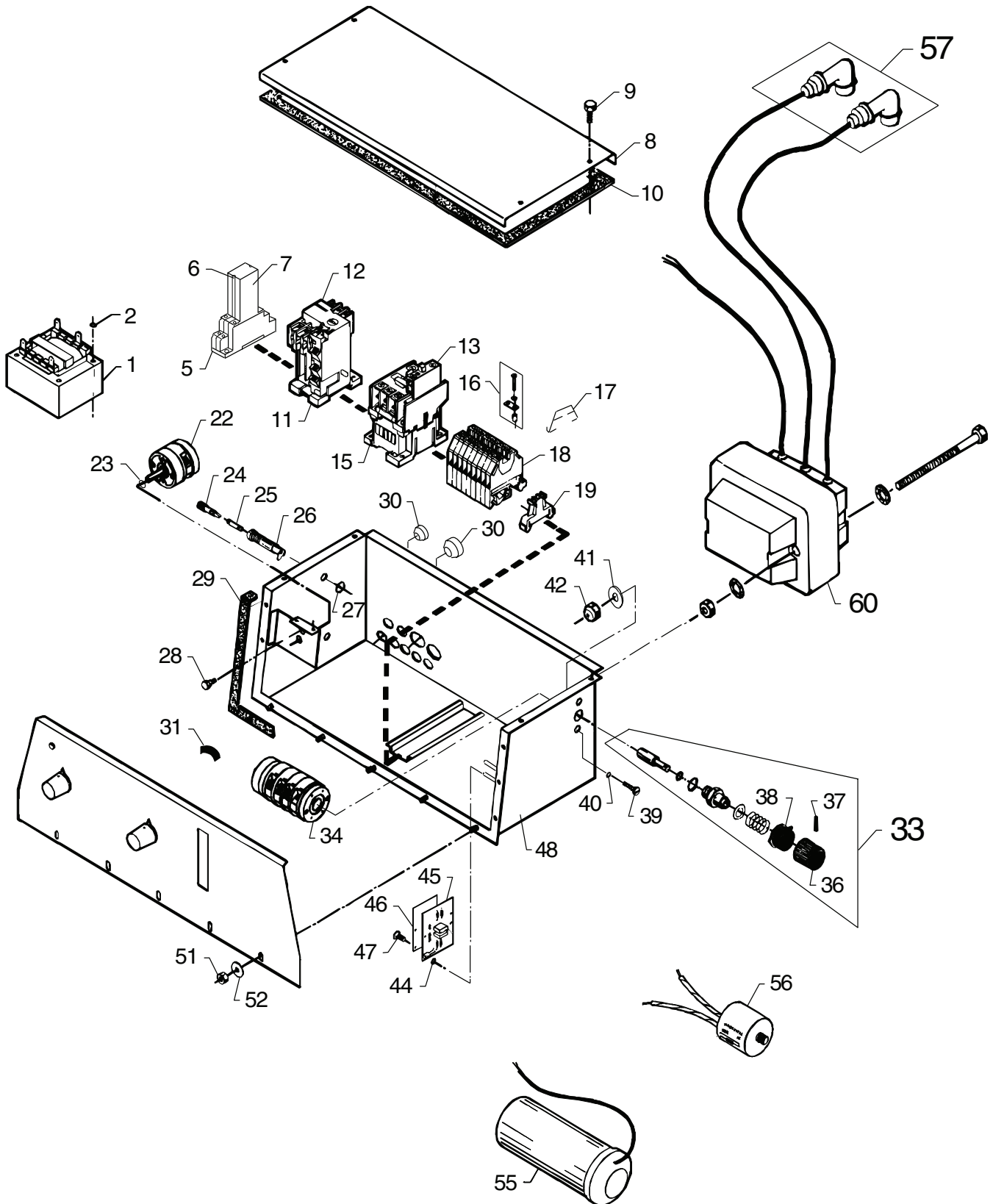
Betjeningspanel / Control panel / Armaturen Brett / Tableau de commande

Snit A-A



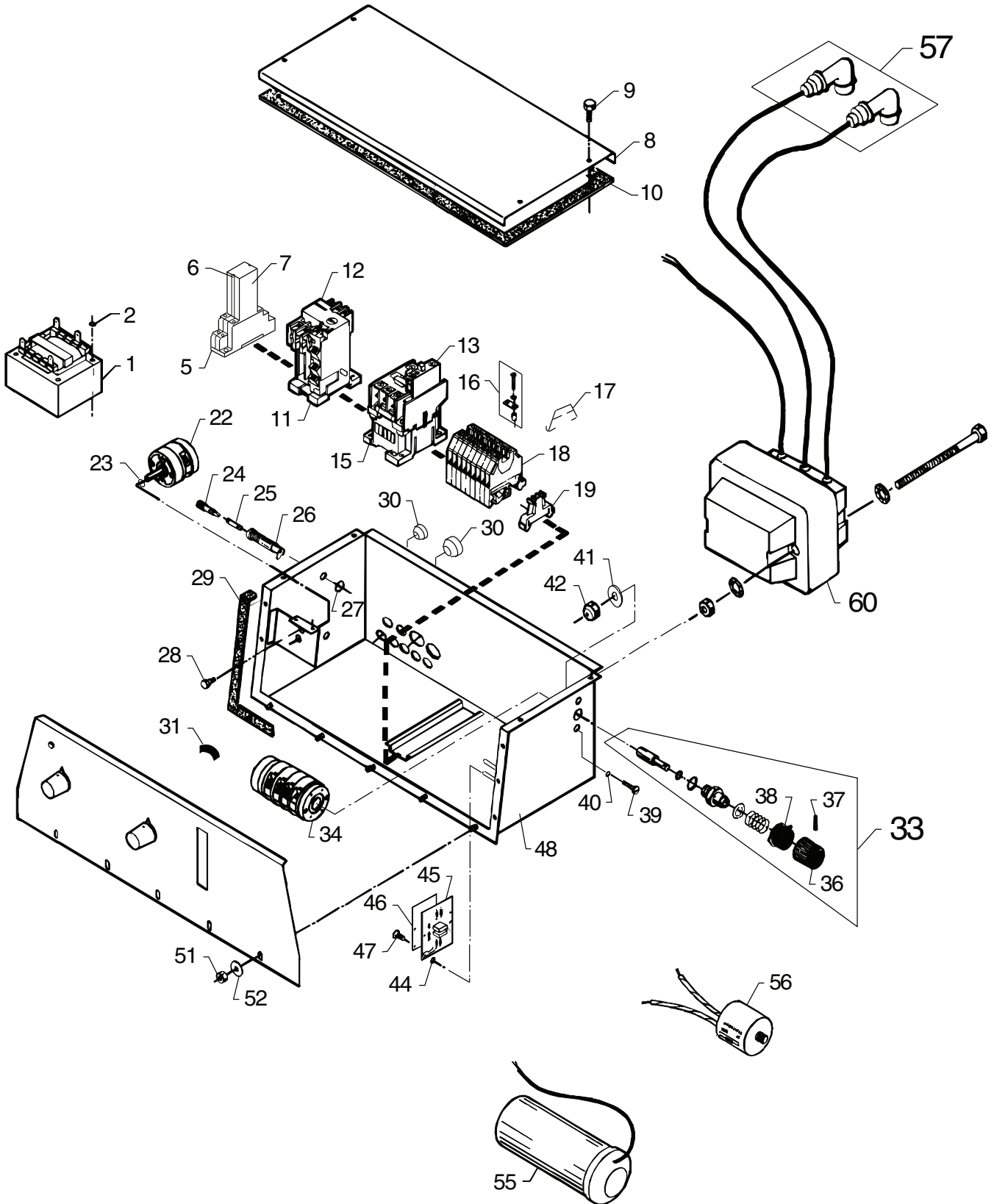
| Pos. Ref. | Nr. No. | Betegnelse Bezeichnung | Designation Désignation | 16A2V/VA | 23A2V/VA | 26A2V/VA | 38A2V/VA |
|-----------|---------|--|----------------------------|----------|----------|----------|----------|
| - | - | Betjeningspanel, monteret Control panel, mount. Armaturenbrett, montiert Tableau de commande, monté | | x | x | x | x |
| - | 6201850 | A2V, 3~ | ⇒ 01.10.94 | | | | |
| - | 6201849 | A2V, 1~ | ⇒ 01.10.94 | | | | |
| - | 6201842 | A2V, CDN | 1~ | | | | |
| - | 6201854 | A2VA, 3~ | ⇒ 01.10.94 | | | | |
| - | 6201853 | A2VA, 1~ | ⇒ 01.10.94 | | | | |
| - | 6201852 | med flammeovervågning with flame control mit Flammenüberwachung avec contrôle flammes | 3~ A2V | | | | |
| - | 6201851 | med flammeovervågning with flame control mit Flammenüberwachung avec contrôle flammes | 1~ A2V | | | | |
| - | 6201856 | med flammeovervågning with flame control mit Flammenüberwachung avec contrôle flammes | 3~ A2VA | | | | |
| - | 6201855 | med flammeovervågning with flame control mit Flammenüberwachung avec contrôle flammes | 1~ A2VA | | | | |
| 1 | 6201767 | Betjeningspanel Control panel Armaturenbrett Tableau de commande | | 1 | 1 | 1 | 1 |
| - | 6220843 | Betjeningspanel Control panel Armaturenbrett Tableau de commande | CDN | 1 | 1 | 1 | 1 |
| 2 | 6200745 | Pakning Gasket Dichtung Joint | | 1 | 1 | 1 | 1 |
| 13 | 1803535 | Møtrik Nut Mutter Ecrou | | 2 | 2 | 2 | 2 |
| 14 | 6420008 | Print Circuit board Print Circuit imprimé | 1~, 3~ ⇒ 01.10.94 | | | | |
| - | 6420002 | Print Circuit board Print Circuit imprimé | CDN, 1~ | | | | |
| - | 6420009 | Print, (flammeovervågning) Circuit board, (flame control) Print, (Flammenüberwachung) Circuit imprimé, (contrôle flammes) | | 1 | 1 | 1 | 1 |
| 15 | 1803139 | Skrue Screw Schraube Vis | | 4 | 4 | 4 | 4 |
| 16 | 3817079 | Printstik Plug for circuit board Printstecker Prise p. circuit imprimé | 7 pol. | | | | |
| - | 3817087 | Printstik Plug for circuit board Printstecker Prise p. circuit imprimé | 8 pol. | | | | |
| - | 3817095 | Printstik Plug for circuit board Printstecker Prise p. circuit imprimé | 12 pol. | | | | |
| 19 | 6200729 | Rude f. termometer Inspection glass f. thermometer Schauglas f. Thermometer Couvercle d'inspection, thermomètre | | 1 | 1 | 1 | 1 |
| 20 | 6201756 | Pakning Gasket Dichtung Joint | | 1 | 1 | 1 | 1 |

| Pos. Ref. | Nr. No. | Betegnelse Bezeichnung | Designation Désignation | 16A2V/VA | 23A2V/VA | 26A2V/VA | 38A2V/VA |
|-----------|---------|--|----------------------------|----------|----------|----------|----------|
| 21 | 1800697 | Møtrik Nut Mutter Ecrou | | 4 | 4 | 4 | 4 |
| 22 | 1800887 | Skive Washer Scheibe Rondelle | | 4 | 4 | 4 | 4 |
| 24 | 3805389 | Rude f. glimlampe Inspection glass f. glow lamp Schauglas f. Glimmlampe Couvercle d'inspection, indicateur | | 1 | 1 | 1 | 1 |
| 25 | 6201774 | Pakning Gasket Dichtung Joint | | 1 | 1 | 1 | 1 |
| 26 | 1803667 | Låseskive Lock washer Federtellerscheibe Rondelle | | 1 | 1 | 1 | 1 |
| 27 | 6201771 | Transfer Transfer Aufkleber Aotocollant | A2V 3~ | | | | |
| - | 6201770 | Transfer Transfer Aufkleber Aotocollant | A2V 1~ | | | | |
| - | 6201772 | Transfer Transfer Aufkleber Aotocollant | A2VA 3~ | | | | |
| - | 6201758 | Transfer Transfer Aufkleber Aotocollant | A2VA 1~ | | | | |
| 29 | 3001468 | Pakning Gasket Dichtung Joint | | 2 | 2 | 2 | 2 |
| 31 | 1117399 | Start/stop kontakt, kompl. Start/stop switch, compl. Start/stopp-Schalter, kompl. Bouton marche/arret, compl. | | 1 | 1 | 1 | 1 |
| 32 | 1117381 | Drejeknap, kompl. Adjusting knob, compl. Dreheschalter, kompl. Interrupteur à rotation, compl. | | 1 | 1 | 1 | 1 |



| Pos. Ref. | Nr. No. | Betegnels Bezeichnung | Designation Désignation | 16A2V/VA | 23A2V/VA | 26A2V/VA | 38A2V/VA |
|-----------|-----------|--|----------------------------|----------|----------|----------|----------|
| - | - | Eldele Electrical components Elektrische Komponenten Éléments électriques | | x | x | x | x |
| 1 | - | Styretransformer Control transformer Steuerungstransformator Transformateur de commande | 24V | 1 | 1 | 1 | 1 |
| - | 3819851 | 220/380V | I, B, N, SGP, E | | | | |
| - | 3819786 | 380V | | | | | |
| - | 3819794 | 415-440V | GB, AUS | | | | |
| - | 3819760 | 220V | USA, SJ, CN, ROK, U | | | | |
| - | 3819778 | 220-240V | GB, AUS, SGP, HK | | | | |
| - | 3819844 | 200V | J | | | | |
| - | 3811890 | 115V | CDN | | | | |
| - | 3808177 | 220V | CDN | | | | |
| 2 | 1805563 | Låseskive Lock washer Sicherungsscheibe Disque de blocage | | 2 | 2 | 2 | 2 |
| 5 | 3812633 | Relæsokkel Socket for relay Sockel für Relais Socle p. relais | | 1 | 1 | 1 | 1 |
| 6 | 3812658 | Fjederklemme Terminal point Klemme Borne | | 2 | 2 | 2 | 2 |
| 7 | 3812641 | Flammerelæ Relay for flame control Relais für Flammenüberwachung Relais pour contrôle flamme | | 1 | 1 | 1 | 1 |
| 8 | 6200734 | Låg Cover Deckel Couvercle | | 1 | 1 | 1 | 1 |
| 9 | 1803956 | Skrue Screw Schraube Vis | | 4 | 4 | 4 | 4 |
| 10 | 6200744 | Pakning Gasket Dichtung Joint | | 1 | 1 | 1 | 1 |
| 11 | 3811643 | Relæsokkel Socket for relay Sockel für Relais Socle p. relais | | | | | |
| 12 | - | Termorelæ Thermal relay Thermorelais Relais thermique | | | | | |
| - | 3806551 | CT 12-17,5A | ⇒ 31.12.99 | 1 | | 1 | 1 |
| - | 3811635 | CT3-2, (ROK, CN, SJ) | ⇒ 31.12.99 | | | 1 | (1) |
| - | 3821736 | 193-EA4GB | 01.01.00 ⇒ | 1 | | 1 | 1 |
| - | 3811627 | CT3-12, GB | | | | | 1 |
| - | 101119416 | Rep. kit, CT3-32, USA, CDN 115V | | 1 | 1 | | |
| 13 | 3805280 | Hjælpekontakt Auxiliary switch, CDN Hilfsschalter | ⇒ 31.12.99 | | | | |
| - | 3821738 | Interrupteur | 01.01.00 ⇒ | | | | |
| 15 | - | Kontaktor Contactor Schütz Contacteur | 24V | 1 | 1 | 1 | 1 |
| - | 3821404 | CA3-16-10 | ⇒ 31.12.99 | | | | |
| - | 3821732 | 16A 24V 50-60Hz | 01.01.00 ⇒ | | | | |
| - | 3804168 | CA3-23-10 | ⇒ 31.12.99 | | | | |
| - | 3821739 | 23A 24V 50-60Hz | 01.01.00 ⇒ | | | | |

| Pos. Ref. | Nr. No. | Betegnels Bezeichnung | Designation Désignation | 16A2V/VA | 23A2V/VA | 26A2V/VA | 38A2V/VA |
|-----------|----------------|--|----------------------------|----------|----------|----------|----------|
| 16 | 3807534 | To-polet laske Joint Bipolar Lasche, 2-polig Plaquette - bipolaire | | 2 | 2 | 2 | 2 |
| 17 | 3807542 | Klemmeafdækning Cover for terminal-screws Abdeckung f. Anschlussklemmen Couverture barrette à bornes | | 3 | 3 | 3 | 3 |
| 18 | 3807518 | Rækkelemme Terminal screw Anschlussklemme | | 7 | 7 | 7 | 7 |
| - | 3807260 | Borne | 1~, CDN, USA | | | | |
| 19 | 3805249 | Endeholder Holder Halter Support | | 1 | 1 | 1 | 1 |
| 22 | 3810124 | Drejekontakt, on/off Rotary switch Drehschalter Interrupteur à rotation | | 1 | 1 | 1 | 1 |
| 23 | 3000460 | O-ring O-ring O-Ring Joint torique | | 1 | 1 | 1 | 1 |
| 24 | 3812666 | Sikringsholder Holder f. fuse Halter f. Sicherung Support fusible | | 1 | 1 | 1 | 1 |
| 25 | 3808250 | Sikring Fuse 1,25 A 250V Sicherung Fusible | | 1 | 1 | 1 | 1 |
| 26 | 3812674 | Sokkel m. møtrik Socket w. nut Sockel m. Mutter Socle a. écrou | | 1 | 1 | 1 | 1 |
| 27 | 3000460 | O-ring O-ring O-Ring Joint torique | | 1 | 1 | 1 | 1 |
| 28 | 6200802 | Skrue Screw Schraube Vis | | 1 | 1 | 1 | 1 |
| 29 | 6200745 | Pakning Gasket Dichtung Joint | | 1 | 1 | 1 | 1 |
| 30 | - | Gummipakdåse Cable grommet Stopfbuchse Presse-étoupe | | | | | |
| - | 3803764 | TET 5-7 C | | | | | |
| - | 3803772 | TET 7-10 C | | | | | |
| - | 3803780 | TET 10-14 C | | | | | |
| - | 3803798 | TET 14-20 C | | | | | |
| 31 | 6101574 | Skala f. omskifter Dial f. Reverser Skalen f. Umschalter Echelle p. inverseur | 220/3800V | | | | |
| 32 | 3805876 | Omskifter, pos.33-40 Reverser ref. 33-40 Umschalter, pos. 33-40 Inverseur, ref. 33-40 | | x | x | x | x |
| 33 | 1117357 | Knap, kompl. Switch, compl. Schalter, kompl. Interrupteur, compl. | | 1 | 1 | 1 | 1 |
| 34 | 3805868 | Omskifter Reverser Umschalter Inverseur | Y/Δ | 1 | 1 | 1 | 1 |
| 36 | 4000287 | Greb Knob Griff Bouton | | 1 | 1 | 1 | 1 |
| 37 | 6100100 | Stift Pin Stift Goupille | | 1 | 1 | 1 | 1 |



| Pos. Ref. | Nr. No. | Betegnelse Bezeichnung | Designation Désignation | 16A2V/VA | 23A2V/VA | 26A2V/VA | 38A2V/VA |
|-----------|---------|--|----------------------------|----------|----------|----------|----------|
| 38 | 4000303 | Viser Indicator Zeiger Indicateur | | 1 | 1 | 1 | 1 |
| 39 | 1803451 | Skrue Screw Schraube Vis | | 1 | 1 | 1 | 1 |
| 40 | 3000387 | O-ring O-ring O-Ring Joint torique | | 1 | 1 | 1 | 1 |
| 41 | 3000668 | Skive Washer Scheibe Rondelle | | 2 | 2 | 2 | 2 |
| 42 | 1800457 | Møtrik Nut Mutter Ecrou | | 2 | 2 | 2 | 2 |
| 44 | 6200750 | Skive Washer Scheibe Rondelle | | 2 | 2 | 2 | 2 |
| 45 | 6201737 | Print Circuit board 220-240V Print Circuit imprimé | | | | | |
| | 6200752 | Print Circuit board 380-440V Print Circuit imprimé | | | | | |
| - | 6200815 | Print Circuit board 440-500V Print Circuit imprimé | | | | | |
| 46 | 6200751 | Pap f. print Cardboard f. circuit board Pappe f. Print Carton p. circuit imprimé | | 1 | 1 | 1 | 1 |
| 47 | 1803139 | Skrue Screw Schraube Vis | | 2 | 2 | 2 | 2 |
| 48 | 6201848 | El-kasse Connection box Elektrogehäuse Boîtier électrique | | 1 | 1 | 1 | 1 |
| - | 6201889 | El-kasse Connection box Elektrogehäuse Boîtier électrique | B, E, I, N, CH | | | | 1 |
| 51 | 1800697 | Møtrik Nut Mutter Ecrou | | 12 | 12 | 12 | 12 |
| 52 | 1800887 | Skive Washer Scheibe Rondelle | | 12 | 12 | 12 | 12 |
| 55 | - | Kondensator Capacitor Kondensator Condensateur | | | | | |
| - | 3807724 | 1x220V 60Hz | 60 µf | | | | |
| - | 3804978 | 1x240V 50Hz, 1x220V 60Hz | 66 µf | | | | |
| - | 3811916 | 1x115V 60Hz | 145 µf | | | | |
| - | 3811924 | 1x208-230V 60Hz | 72 µf | | | | |
| 56 | 3817202 | Jorddrosselspole Radio interfer. suppressor Schutzleiterdrossel Conducteur de protection | CH | | | | |
| 57 | 1119302 | Rep.sæt, tændrørshætte Rep. kit, cover for sparking plug Rep. satz, Deckel für Zündkerzen Kit de rép., capuchon d'électrode | | 1 | 1 | 1 | 1 |

| Pos. Ref. | Nr. No. | Betegnelse Bezeichnung | Designation Désignation | 16A2V/VA | 23A2V/VA | 26A2V/VA | 38A2V/VA |
|-----------|---------|---|--|----------|----------|----------|----------|
| 60 | - | Tændtransformer Ignition transformer Zündtransformator Transformateur d'allumage | | 1 | 1 | 1 | 1 |
| - | 3812567 | 3x415-440V | AUS,GB,NZ,SGP,USA, Off-shore, U,M | | | | |
| - | 3812559 | 3x380V | A,AR,CL,D,DK,F,HK,IL,NL CH,PPE,S,SE,ET,GR | | | | |
| - | 3812542 | 3x220-240V | I,B,N,E,CN,ROK,SGP SJ,U,USA | | | | |
| - | 3807401 | 1x208-230V | CDN | | | | |
| - | 3811882 | 1x110V | CDN | | | | |
| 65 | - | Tilgangskabel Electric cable Anschlusskabel Câble électrique | | | | | |
| | 6200861 | H05VV-F 3G 1,5 | | x | | | x |
| | 6200863 | H05VV-F 4G 1,5 | B, I, E, N | | | | x |
| | 6200866 | H05VV-F 4G 2,5 | | | | | x |
| | 6200867 | H07RN-F 4G 2,5 | | | | | x |
| | 6200870 | AGW 10/3 | CDN | x | | | x |
| | 6200872 | AGW 12/3 | CDN | x | | | |
| | 6200873 | SVCT-F 4G 3,5 | J | | | x | |
| | 6180260 | H07RN-F 4G 1.5 | 3~ | | | | x |
| | 6180261 | H07RN-F 3G 1.5 | 1~ | x | | | |
| | 6180268 | H07RN-F 3G 4 | | | x | | |
| - | - | Stik Plug Stecker Prise | | 1 | 1 | 1 | 1 |
| | 3802493 | CEE 5 pol. 380V/16A | | | | | |
| | 3805793 | 1 pol. | Eur. | | | | |
| | 3802477 | S | | | | | |