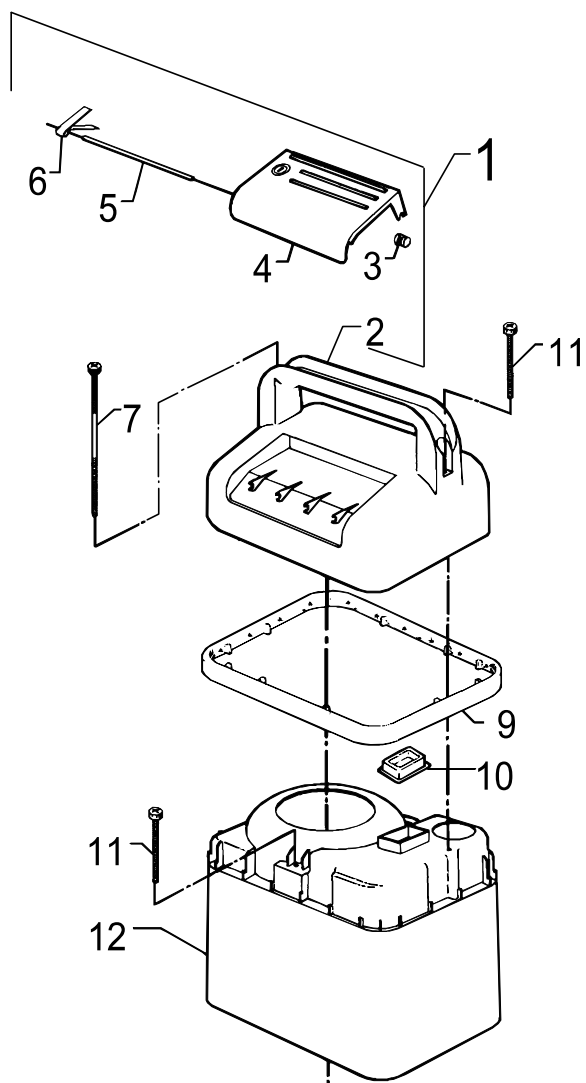


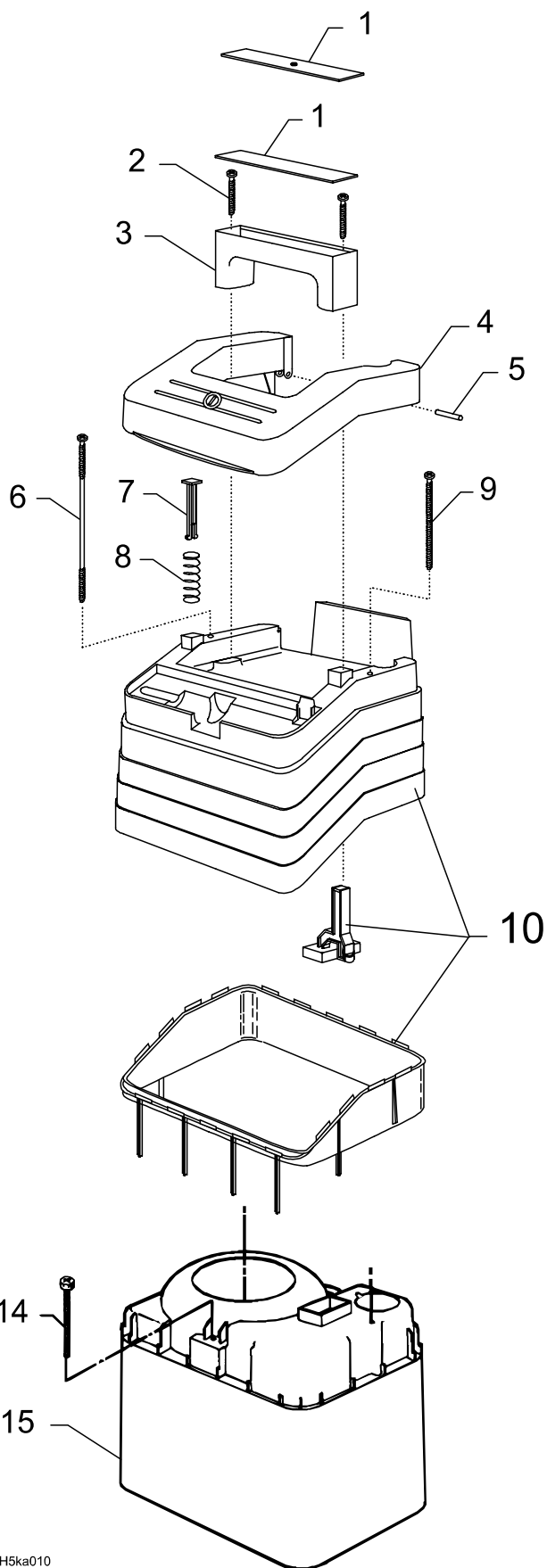
**Reservedele • Spare parts**  
**Ersatzteile • Pièces détachées**



Hobby 80/100/120,  
80 X-tra, 100 X-tra, 120 X-tra,  
Special, Basic, Classic



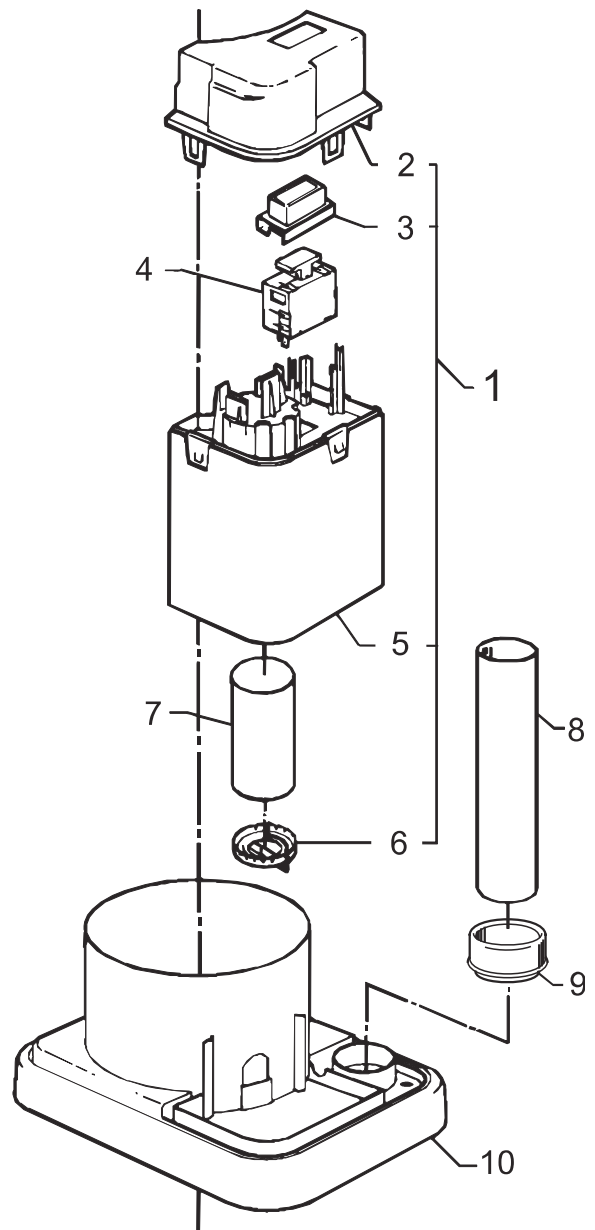
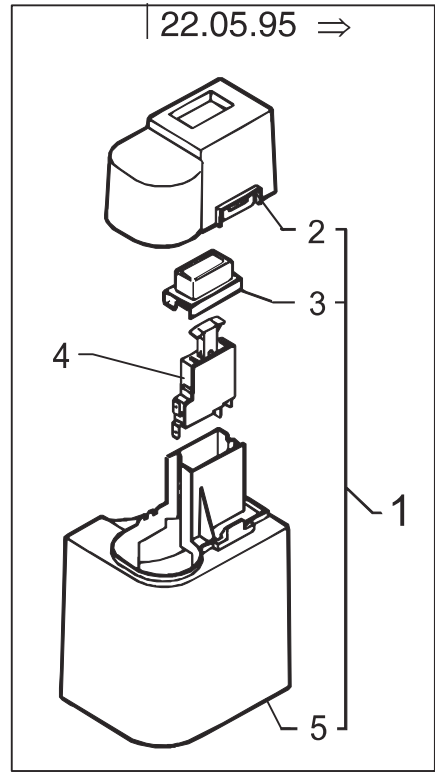
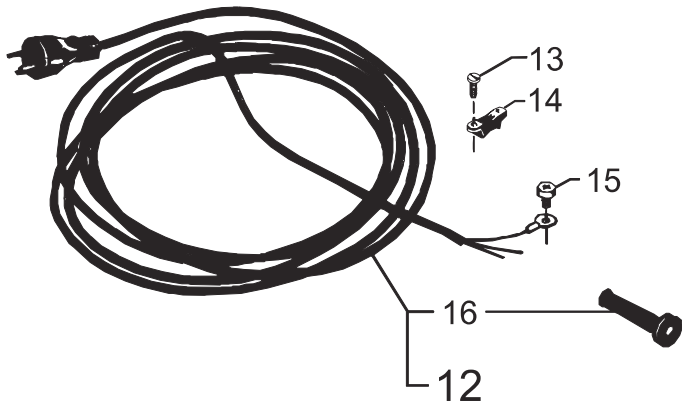
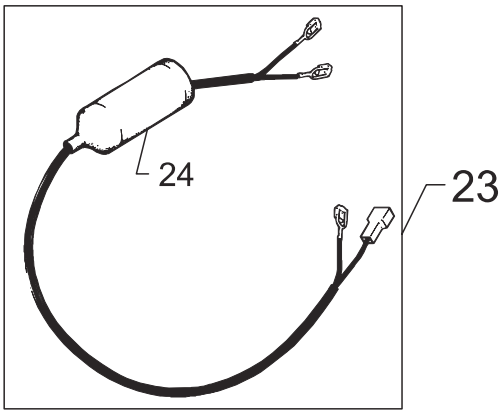
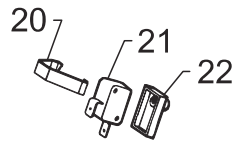
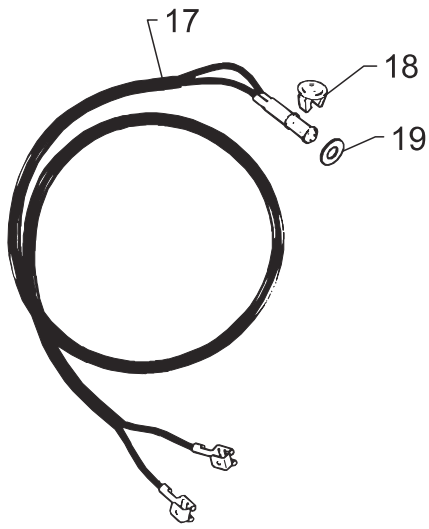
Hobby 1000 / 2000 / 3000  
Hobby 1100 / 2100 / 3100  
X-tra 2500 / X-tra 3500  
X-tra 2600 / X-tra 3600



1H5ka010

| Pos. Ref. | Nr. No. | Betegnels<br>Bezeichnung  | Designation<br>Désignation     | 80 bar | 100 bar | 120 bar |
|-----------|---------|---|--------------------------------|--------|---------|---------|
| 1         | -       | Kabinettop, komplet<br>Top cabinet, compl.<br>Oberteil des Gehäuses, kompl.<br>Dessus du capot, compl.    |                                |        |         |         |
| -         | 6122827 |   | 80/100/120/Basic/Classic       | x      | x       | x       |
| -         | 6122843 |   | 80 X-tra, 100 X-tra, 120 X-tra | x      | x       | x       |
| -         | 6122801 |   | USA/CDN                        | x      |         |         |
| -         | 6123709 |   | Special                        |        | x       |         |
| -         | 6125546 |   | TopGun                         |        | x       |         |
| 2         | -       | Kabinettop<br>Top cabinet<br>Oberteil des Gehäuses<br>Dessus du capot                                     |                                |        |         |         |
| -         | 6122725 |   | 80/100/120/Basic/Classic       | 1      | 1       | 1       |
| -         | 6122730 |   | 80 X-tra, 100 X-tra, 120 X-tra | 1      | 1       | 1       |
| -         | 6122708 |   | USA/CDN                        | 1      |         |         |
| -         | 6122745 |   | Special                        |        | 1       |         |
| -         | 6122749 |   | TopGun                         |        | 1       |         |
| 3         | 6122715 | Rulle for kontakt<br>Roll for switch<br>Rolle für Schalter<br>Rouleau p. interrupteur                     |                                | 1      | 1       | 1       |
| 4         | 6122704 | Trykknop<br>Pushbutton<br>Drucktaste<br>Bouton-pression   |                                | 1      | 1       | 1       |
| 5         | 6122713 | Aksel<br>Spindle<br>Spindel<br>Arbre  |                                | 1      | 1       | 1       |
| 6         | 6122712 | Fjeder<br>Spring<br>Feder<br>Ressort  |                                | 1      | 1       | 1       |
| 7         | 6122522 | Skrue<br>Screw<br>Schraube<br>Vis   |                                | 1      | 1       | 1       |
| 9         | -       | Topfender<br>Top fender<br>Topfender<br>Sommet de amortisseur   |                                | 1      | 1       | 1       |
| -         | 6122719 |   | 80/100/120/Basic/Classic       | 1      | 1       | 1       |
| -         | 6122732 |   | 80/100/120 X-tra               | 1      | 1       | 1       |
| -         | 6122755 |   | Special                        | 1      | 1       |         |
| -         | 6122734 |   | USA/CDN                        |        | 1       |         |
| -         | 6122759 |   | TopGun                         |        | 1       |         |
| 10        | 6122549 | Gummihætte for kabinet<br>Rubber cap for cabinet<br>Gummikappe für Gehäuse<br>Manteau caoutchouc p. capot |                                | 1      | 1       | 1       |
| 11        | 1809821 | Skrue<br>Screw<br>Schraube<br>Vis   |                                | 3      | 3       | 3       |
| 12        | -       | Kabinet, mellemdel<br>Cabinet, intermediate part<br>Kabinett, Zwischenteil<br>Partie intermed., capot     |                                |        |         |         |
| -         | 6125535 | KEW - blå, blue, blau, bleu   |                                | 1      | 1       | 1       |
| -         | 6125537 | KEW - sort, black, schwarz, noir  |                                | 1      | 1       | 1       |
| -         | 6125540 | KEW - rød, red, rot, rouge  |                                |        | 1       |         |
| -         | 6125541 | KEW - blue  | f. USA/CDN                     | 1      |         |         |
| -         | 6125538 | orange  |                                | 1      |         |         |

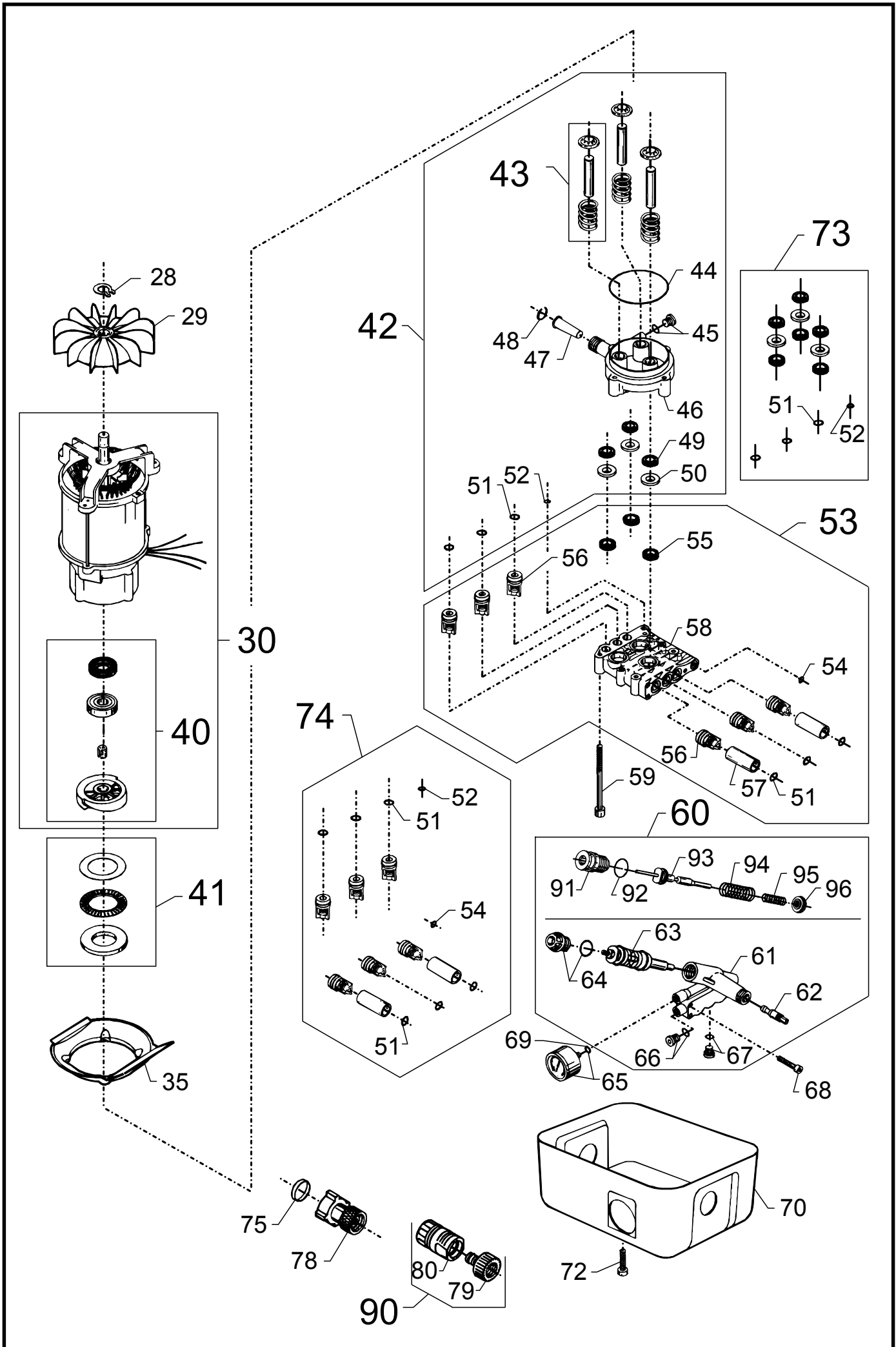
| Pos. Ref. | Nr. No. | Betegnels<br>Bezeichnung  | Designation<br>Désignation | 80 bar | 100 bar | 120 bar |
|-----------|---------|---|----------------------------|--------|---------|---------|
| 1         | 6128581 | Dæksel<br>Cover<br>Deckel<br>Couvercle  |                            | 1      | 1       | 1       |
| -         | 6523043 | Dæksel, s/s<br>Cover, s/s<br>Deckel, S/S<br>Couvercle, m/a  |                            |        | 1       | 1       |
| 2         | 1814276 | Skrue<br>Screw<br>Schraube<br>Vis   |                            | 2      | 2       | 2       |
| 3         | 6128578 | Håndtag<br>Handle<br>Griff<br>Poignée   |                            | 1      | 1       | 1       |
| -         | 6523044 | Håndtag, s/s<br>Handle, s/s<br>Griff, S/S<br>Poignée, m/a   |                            |        | 1       | 1       |
| 4         | 6122774 | Trykknop<br>Pushbutton<br>Drucktaste<br>Bouton-pression   |                            | 1      | 1       | 1       |
| 5         | 1814250 | Kærvstift<br>Slotted pin<br>Schlitzstift<br>Goupille à encoches   |                            | 2      | 2       | 2       |
| 6         | 1814300 | Skrue<br>Screw<br>Schraube<br>Vis   |                            | 1      | 1       | 1       |
| 7         | 6128585 | Fjederarm<br>Arm for spring<br>Arm für Feder<br>Bras pour ressort   |                            | 1      | 1       | 1       |
| 8         | 2602381 | Fjeder<br>Spring<br>Feder<br>Ressort  |                            | 1      | 1       | 1       |
| 9         | 1814292 | Skrue<br>Screw<br>Schraube<br>Vis   |                            | 1      | 1       | 1       |
| 10        | 6128360 | Kabinettop, kompl.<br>Top cabinet, compl.<br>Oberteil des Gehäuses, kompl.<br>Dessus du capot, compl.                             |                            | 1      | 1       | 1       |
| -         | 6125534 | Kabinettop, kompl.<br>Top cabinet, compl.<br>Oberteil des Gehäuses, kompl.<br>Dessus du capot, compl.                             | USA/CDN                    | 1      |         |         |
| -         | 6523012 | Kabinettop f. s/s, kompl.<br>Top cabinet f. s/s, compl.<br>Oberteil des Gehäuses f. S/S, kompl.<br>Dessus du capot p. m/a, compl. |                            |        | 1       | 1       |
| 14        | 1809821 | Skrue<br>Screw<br>Schraube<br>Vis   |                            | 2      | 2       | 2       |
| 15        | -       | Kabinet, mellemdel<br>Cabinet, intermediate part<br>Kabinett, Zwischenteil<br>Partie intermed., capot                             |                            |        |         |         |
| -         | 6125535 | KEW - blå, blue, blau, bleu   |                            | 1      | 1       | 1       |
| -         | 6125537 | KEW - sort, black, schwarz, noir  |                            | 1      | 1       | 1       |
| -         | 6125541 | KEW - blue  | f. USA/CDN                 | 1      |         |         |



1H3ov000

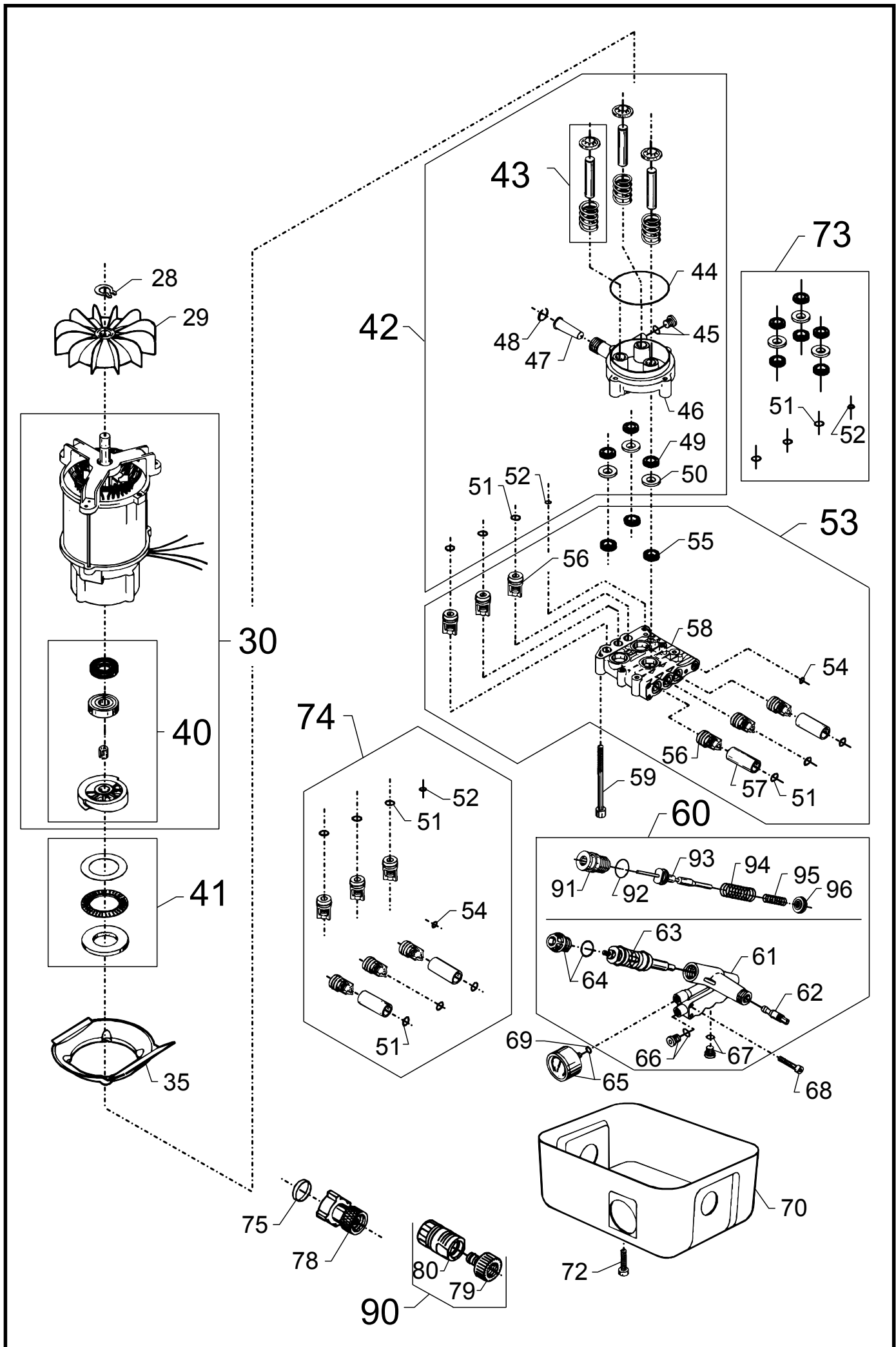
| Pos. Ref. | Nr. No.       | Betegnels<br>Bezeichnung   | Designation<br>Désignation        | 80 bar | 100 bar | 120 bar |
|-----------|---------------|--|-----------------------------------|--------|---------|---------|
| 1         | *<br>6125548  | El-enhed, komplet<br>El. unit, compl.<br>El. Einheit, komplett<br>Unité électrique                 | 22.05.95 =>                       | x      | x       | x       |
| 1         | **<br>6122650 | El-enhed, komplet<br>El. unit, compl.<br>El. Einheit, komplett<br>Unité électrique                 | => 22.05.95  <br>USA, CDN         | x<br>x | x<br>x  | x<br>x  |
| 2         | 6122153       | Top for el-enhed<br>Top for el. unit<br>Oberteil der el. Einheit<br>Dessus de l'unité électrique   | 22.05.95 =>                       | 1      | 1       | 1       |
| 2         | 6122108       | Top for el-enhed<br>Top for el. unit<br>Oberteil der el. Einheit<br>Dessus de l'unité électrique   | => 22.05.95  <br>USA, CDN         | 1<br>1 | 1<br>1  | 1<br>1  |
| 3         | 6122105       | Gummihætte<br>Rubber cap<br>Gummikappe<br>Manteau caoutchouc                                       |                                   | 1      | 1       | 1       |
| 4         | 3817004       | Trykkontakt, 50 Hz - 9,5 A<br>Pushbutton switch<br>Druckschalter<br>Interrupteur-poussoir          | => 22.05.95                       | 1      |         |         |
| 4         | 3819620       | Trykkontakt ,50 Hz - 9,8 A<br>Pushbutton switch<br>Druckschalter<br>Interrupteur-poussoir          | => 22.05.95                       |        | 1       | 1       |
| 4         | 3821346       | Trykkontakt, 9,8 A<br>Pushbutton switch<br>Druckschalter<br>Interrupteur-poussoir                  | 22.05.95 =>                       | 1      | 1       | 1       |
| 4         | 3817012       | Trykkontakt<br>Pushbutton switch<br>Druckschalter<br>Interrupteur-poussoir                         | Hobby 80, USA/CDN<br>60 Hz - 15 A | 1      |         |         |
| 5         | 6122150       | Sokkel for el. enhed<br>Socket for el. unit<br>Gestell für el. Einheit<br>Base p. unité électrique | 22.05.95 =>                       | 1      | 1       | 1       |
| 5         | 6122106       | Sokkel for el. enhed<br>Socket for el. unit<br>Gestell für el. Einheit<br>Base p. unité électrique | => 22.05.95  <br>USA, CDN         | 1<br>1 | 1<br>1  | 1<br>1  |
| 6         | 6122107       | Låseskive<br>Lock washer<br>Federtellerscheibe<br>Circlip  | => 22.05.95  <br>USA, CDN         | 1<br>1 | 1<br>1  | 1<br>1  |
| 7         | 3816691       | Kondensator<br>Capacitor<br>Kondensator<br>Condensateur  | 25 µF, 50 Hz                      | 1      | 1       | 1       |
| -         | 3816709       | Kondensator<br>Capacitor<br>Kondensator<br>Condensateur  | USA/CDN<br>60 µF, 60 Hz           | 1      |         |         |
| 8         | 6122710       | Rør<br>Tube<br>Rohr<br>Tube  |                                   | 1      | 1       | 1       |
| 9         | 6122584       | Gummitætning for rør<br>Rubberseal f. tube<br>Gummidichtung f. Rohr<br>Support caoutchouc p. tube  |                                   | 1      | 1       | 1       |
| 10        | 6122703       | Kabinettfender<br>Cabinet fender<br>Gehäusefender<br>Amortisseur capot                             |                                   | 1      | 1       | 1       |

| Pos. Ref. | Nr. No. | Betegnels<br>Bezeichnung  | Designation<br>Désignation | 80 bar | 100 bar | 120 bar |
|-----------|---------|---|----------------------------|--------|---------|---------|
| 12        | -       | El-kabel med stik<br>El. cable with plug<br>Anschlusskabel mit Stecker<br>Câble électrique + prise  |                            |        |         |         |
| -         | 6128155 | HO7RN-F 3G 1.0, DK  |                            | 1      | 1       | 1       |
| -         | 6122202 | HO7RN-F 3G 1.0/TDV 3G 1.0, CH   |                            | 1      | 1       | 1       |
| -         | 6122246 | HO7RN-F 3G 1.0, I   |                            | 1      | 1       | 1       |
| -         | 6122204 | HO5VV-F 3G 1.0, GB, SGP   |                            | 1      | 1       | 1       |
| -         | 6122205 | SJTOW-A AVG 14/3, USA   |                            | 1      |         |         |
| -         | 6122206 | SJOW AVG 14/3, CDN,CN,ROK   |                            | 1      |         |         |
| -         | 6122207 | HO5VV-F, AUS, NZ  |                            | 1      | 1       |         |
| -         | 6122210 | HO5VV-F 3G 10, HK   |                            | 1      | 1       |         |
| -         | 6122211 | HO7RN-F 3G 1.0<br>D,A,F,N,S,B,NL,P,E,GR,IL,SF,CSSR  |                            | 1      | 1       | 1       |
| 13        | 6122531 | Skrue<br>Screw<br>Schraube<br>Vis   |                            | 2      | 2       | 2       |
| 14        | 3806262 | Trækafastning<br>Cable lead-in<br>Zugentlastung<br>Dispositif d'attaque auxil.  |                            | 1      | 1       | 1       |
| 15        | 1809847 | Jordskrue<br>Earth screw<br>Erdschraube<br>Bloque câble   |                            | 1      | 1       | 1       |
| 16        | 6122101 | Gummitylle<br>Rubber bush<br>Gummitülle<br>Douille p. câble, caoutchouc   |                            | 1      | 1       | 1       |
| 17        | 6522758 | Lampeledning , s/s<br>Cable f. light indicator, s/s<br>Lampekabel, S/S<br>Câble p.lampe, m/a  |                            |        | 1       | 1       |
| 18        | 6522788 | Lampeglas, s/s<br>Glass f. light indicator, s/s<br>Lampenglas, S/S<br>Verre de témoin lumineux, m/a                                       |                            |        | 1       | 1       |
| 19        | 6522767 | Pakning for ledning, s/s<br>Gasket f. cable, s/s<br>Dichtung f. Kabel, S/S<br>Joint p. câble, m/a   |                            |        | 1       | 1       |
| 20        | 6522759 | Bøjle for kontakt, s/s<br>Bracket for switch, s/s<br>Bügel für Schalter, S/S<br>Garniture p. contacteur, m/a                              |                            |        | 1       | 1       |
| 21        | 3821510 | Kontakt, s/s<br>Micro switch, s/s<br>Schalter, S/S<br>Contacteur, m/a   |                            |        | 1       | 1       |
| 22        | 6522765 | Kontakffixtur, s/s<br>Fixture f. switch, s/s<br>Schalterfixtur, S/S<br>Fixation p. contacteur, m/a  |                            |        | 1       | 1       |
| 23        | 3821394 | Mellemedning f. s/s, kompl.<br>Interconnecting cable f. s/s, compl.<br>Zwischenkabel f. S/S, kompl.<br>Câble de connection p. m/a, compl. |                            |        | 1       | 1       |
| 24        | 6523047 | Gummitylle<br>Rubber bush<br>Gummitülle<br>Douille p. câble, caoutchouc   |                            |        | 1       | 1       |
| -         | -       | Instruktionsbog<br>Instruction manual<br>Betriebsanweisung<br>Livret d'instructions   |                            |        |         |         |
| -         | 6129804 | DK, GB, D, F, N, S, NL, SF, E, I, GR, P<br>1100, 2100, 3100, X-tra 2600 - 3600  |                            | 1      | 1       | 1       |
| -         | 6129809 | DK, GB, D, F, N, S, NL, SF, E, I, GR, P<br>TopGun, Special, Classic   |                            |        | 1       |         |
| -         | 6129312 | DK, GB, D, F, N, S, NL, SF, E, I<br>80/100/120 Hobby, Basic, X-tra, 100 Special   |                            | 1      | 1       | 1       |
| -         | 6128995 | DK, GB, D, F, N, S, NL, SF, E, I, GR, P<br>1000, 2000, 3000, X-tra 2500, X-tra 3500   |                            | 1      | 1       | 1       |
| -         | 6129265 | US  |                            | 80     | 1       |         |
| -         | 6128998 | US  |                            | 1000   | 1       |         |



| Pos. Ref. | Nr. No. | Betegnels<br>Bezeichnung   | Designation<br>Désignation | 80 bar | 100 bar | 120 bar |
|-----------|---------|--|----------------------------|--------|---------|---------|
| 28        | 1809839 | Låsering<br>Circlip<br>Schliessring<br>Circlip   |                            | 1      | 1       | 1       |
| 29        | 6122476 | Ventilator<br>Fan<br>Ventilator<br>Ventilateur   |                            | 1      | 1       | 1       |
| 30        | -       | <b>Motor m. skråskive, komplet</b><br><b>Motor w. wobble disc, complete</b><br><b>Motor m. Taumelscheibe, komplett</b><br><b>Moteur avec disque obl., compl.</b> |                            |        |         |         |
| -         | 6122322 | 230V, 50 Hz<br>f. <b>A,B,CH,D,DK,E,F,GR,HK,I,IL,IS</b><br><b>N,NL,P,S,SF,SGP,ZA,CSSR</b>   | (R)                        | x      |         |         |
| -         | 6122325 | 230V, 50 Hz<br>f. <b>A,B,CH,D,DK,E,F,GR,HK,I,IL,IS</b><br><b>N,NL,P,S,SF,SGP,ZA,CSSR</b>   | (T)                        |        | x       |         |
| -         | 6123678 | 230V, 50 Hz<br>f. <b>A,B,CH,D,DK,E,F,GR,HK,I,IL,IS</b><br><b>N,NL,P,S,SF,SGP,ZA,CSSR</b>   | (S)                        |        |         | x       |
| -         | 6125554 | 230V, 50 Hz<br>(Hobby 3100 - 3499 / 3520 - 3999 / Power)   | (F)                        |        |         | x       |
| -         | 6122322 | 240V, 50 Hz<br>f. <b>GB,AUS,NZ</b>   | (R)                        | x      |         |         |
| -         | 6122326 | 240V, 50 Hz<br>f. <b>GB,AUS,NZ</b>   | (T)                        |        | x       |         |
| -         | 6123679 | 240V, 50 Hz<br>f. <b>GB,AUS,NZ</b>   | (S)                        |        |         | x       |
| -         | 6125555 | 240V, 50 Hz<br>(Hobby 3100 - 3499 / 3520 - 3999 / Power)   | (F)                        |        |         | x       |
| -         | 6122324 | 115V, 60 Hz<br>f. <b>USA,CDN,CN,ROK</b>  | (S)                        | x      |         |         |
| 35        | 6122727 | Skørt<br>Shirt<br>Schürze<br>Jupon   |                            | 1      | 1       | 1       |
| 40        | -       | <b>Rep.kit, skråskive - 50 Hz</b><br><b>Rep.kit, wobble disc</b><br><b>Rep.satz, Taumelscheibe</b><br><b>Kit de rép., disque oblique</b>                         |                            |        |         |         |
| .         | 6122651 | 230V, 50Hz - 240V, 50Hz  | (R)                        | 1      |         |         |
| -         | 6122652 | 115V, 60Hz - 240V, 50Hz  | (S)                        | 1      |         | 1       |
| -         | 6122662 | 230V, 50Hz - 240V, 50Hz  | (T)                        |        | 1       |         |
| -         | 6123681 | 230V, 50Hz - 240V, 50Hz<br>(Hobby 3100 - 3499 / 3520 - 3999 / Power)   | (F)                        |        |         | 1       |
| 41        | 6122653 | <b>Rep.kit, leje</b><br><b>Rep.kit, bearing</b><br><b>Rep.satz, Lager</b><br><b>Kit de rép., palier</b>  |                            | 1      | 1       | 1       |
| 42        | 6122317 | <b>Cylinderblok, komplet</b><br><b>Cylinder block, complete</b><br><b>Zylinderblock, komplett</b><br><b>Bloc-cylindre, complet</b>                               |                            | x      | x       | x       |

| Pos. Ref. | Nr. No. | Betegnels<br>Bezeichnung   | Designation<br>Désignation | 80 bar | 100 bar | 120 bar |
|-----------|---------|--|----------------------------|--------|---------|---------|
| 43        | 6123721 | <b>Rep.sæt stempel</b><br><b>Rep. kit, piston</b><br><b>Rep. satz, Kolben</b><br><b>Kit de rép., piston</b>              |                            | 3      | 3       | 3       |
| 44        | 3003654 | O-ring<br>O-ring<br>O-Ring<br>Joint torique  |                            | 1      | 1       | 1       |
| 45        | 6122313 | Prop med O-ring<br>Plug with O-ring<br>Pfropfen mit O-Ring<br>Bouchon avec joint torique                                 |                            | 2      | 2       | 2       |
| 46        | 7181005 | Cylinderblok<br>Cylinder block<br>Zylinderblock<br>Bloc-cylindre   |                            | 1      | 1       | 1       |
| 47        | 6125144 | Filter<br>Filter<br>Filter<br>Filtre   |                            | 1      | 1       | 1       |
| 48        | 1807833 | Springring<br>Spring ring<br>Klemmring<br>Anneau à ressort   |                            | 1      | 1       | 1       |
| 49        | 3003696 | Oliemanchet<br>Oil sleeve<br>Ölmanschette<br>Rondelle d'huile  |                            | 3      | 3       | 3       |
| 50        | 6122486 | Trykring<br>Thrust collar<br>Druckring<br>Anneau de blocage  |                            | 3      | 3       | 3       |
| 51        | 3004222 | O-ring<br>O-ring<br>O-Ring<br>Joint torique  |                            | 6      | 6       | 6       |
| 52        | 3001823 | O-ring<br>O-ring<br>O-Ring<br>Joint torique  |                            | 1      | 1       | 1       |
| 53        | 6122319 | <b>Topstykke, komplet</b><br><b>Cylinder head, complete</b><br><b>Zylinderkopf, komplett</b><br><b>Culasse, complète</b> |                            | x      | x       | x       |
| 54        | 3003688 | O-ring<br>O-ring<br>O-Ring<br>Joint torique  |                            | 1      | 1       | 1       |
| 55        | 3001914 | U-manchet<br>U-sleeve<br>U-Manschette<br>Joint U   |                            | 3      | 3       | 3       |
| 56        | 6122318 | Ventil, komplet<br>Valve, complete<br>Ventil, komplett<br>Clapet, compl.   |                            | 6      | 6       | 6       |
| 57        | 6122475 | Afstandsstykke<br>Spacer<br>Zwischenstück<br>Pièce d'espace  |                            | 2      | 2       | 2       |
| 58        | 6124243 | Topstykke<br>Cylinder head<br>Zylinderkopf<br>Culasse  |                            | 1      | 1       | 1       |
| 59        | 1809862 | Skruer<br>Screw<br>Schraube<br>Vis   |                            | 4      | 4       | 4       |

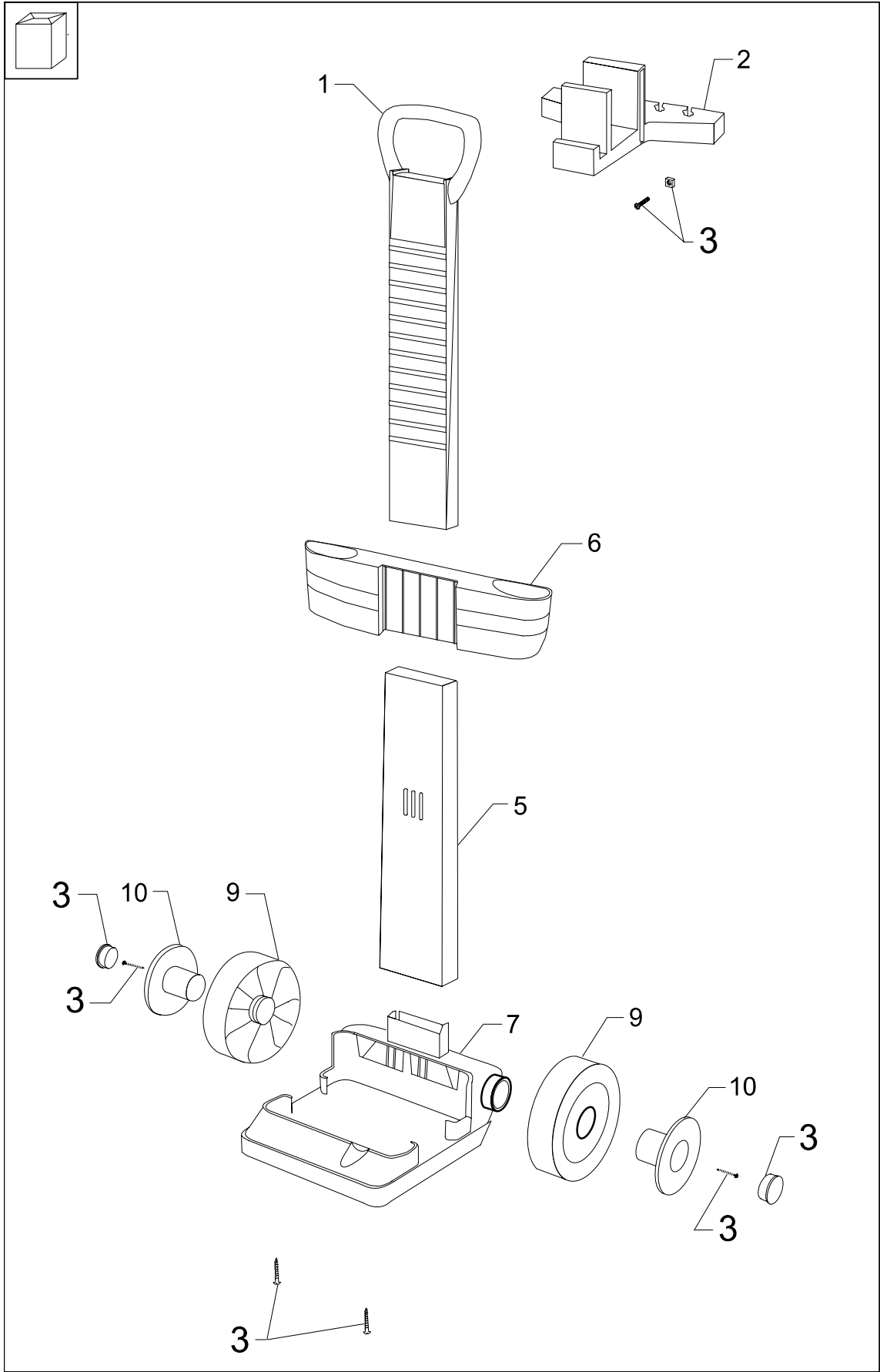


598 61 00 - Jun. 2002



| Pos. Ref. | Nr. No. | Betegnelse<br>Bezeichnung   | Designation<br>Désignation            | 80 bar | 100 bar | 120 bar |
|-----------|---------|---|---------------------------------------|--------|---------|---------|
| 60        | -       | Omløbsventil, komplet<br>By-pass valve, complete<br>Umlaufventil, komplett<br>Soupape by-pass, compl.                             |                                       |        |         |         |
| -         | 6122320 | 80 bar  |                                       | x      |         |         |
| -         | 6122364 | 100 bar   |                                       |        | x       |         |
| -         | 6123656 | 120 bar   |                                       |        |         | x       |
| -         | 6128344 | (Hobby 3100 - 3499 / 3520 - 3999 / Power)   |                                       |        |         | x       |
| 60        | -       | Omløbsventil f. s/s, komplet<br>By-pass valve f. s/s, complete<br>Umlaufventil f. S/S, komplett<br>Soupape by-pass p. m/a, compl. |                                       |        |         |         |
| -         | 6523010 | 100 bar   |                                       |        | x       |         |
| -         | 6523011 | 120 bar   |                                       |        |         | x       |
| 61        | 6122536 | Ventilhus<br>Valve housing<br>Ventilgehäuse<br>Boîte de soupape   |                                       | 1      | 1       | 1       |
| 62        | -       | Styredyse<br>Steering nozzle<br>Steuerdüse<br>Buse de guidage   |                                       |        |         |         |
| -         | 6122314 | hvid/white/weiß/blanc   | 80 bar                                | 1      |         |         |
| -         | 6122365 | grøn/green/grün/vert  | 100 bar                               |        | 1       |         |
| -         | 6123658 | orange  | 120 bar                               |        |         | 1       |
| -         | 6124311 | blå/bleu/blau/bleu<br>(Hobby 3100 - 3499 / 3520 - 3999 / Power)   |                                       |        |         | 1       |
| 63        | 6122311 | Ventilkegle, komplet<br>Valve cone, complete<br>Ventilkegel, komplett<br>Cône p. clapet, compl.                                   | 80 & 100 bar                          | 1      | 1       |         |
| -         | 6123657 | Ventilkegle, komplet<br>Valve cone, complete<br>Ventilkegel, komplett<br>Cône p. clapet, compl.                                   | 120 bar                               |        |         | 1       |
| 64        | 6122312 | Prop med O-ring<br>Plug with O-ring<br>Pfropfen mit O-Ring<br>Bouchon avec joint torique  | 80 & 100 bar                          | 1      | 1       |         |
| -         | 6123654 | Prop med O-ring<br>Plug with O-ring (aluminium)<br>Pfropfen mit O-Ring<br>Bouchon avec joint torique                              | 120 bar                               |        |         | 1       |
| 65        | 6122315 | Manometer med O-ring<br>Pressure gauge with O-ring<br>Manometer mit O-Ring<br>Manomètre avec joint torique                        |                                       | 1      | 1       | 1       |
| -         | 3003662 | O-ring for manometer<br>O-ring for pressure gauge<br>O-ring für Manometer<br>Joint torique p. manomètre                           |                                       | 1      | 1       | 1       |
| 66        | 6123655 | Prop med O-ring<br>Plug with O-ring<br>Pfropfen mit O-Ring<br>Bouchon avec joint torique  |                                       | 1      | 1       | 1       |
| -         | 6125549 | Prop med O-ring<br>Plug with O-ring<br>Pfropfen mit O-Ring<br>Bouchon avec joint torique  | TopGun                                |        | 1       |         |
| 67        | 6123655 | Prop med O-ring<br>Plug with O-ring<br>Pfropfen mit O-Ring<br>Bouchon avec joint torique  |                                       | 1      | 1       | 1       |
| 68        | 1810092 | Skrue<br>Screw, M6x30<br>Schraube<br>Vis  | 80 & 100 bar<br>⇒ 01.04.93            | 3      | 3       |         |
| -         | 1814573 | Skrue<br>Screw, M6x35<br>Schraube<br>Vis  | 120 bar<br>80 & 100 bar<br>01.04.93 ⇒ | 3      | 3       | 3       |

| Pos. Ref. | Nr. No. | Betegnelse<br>Bezeichnung  | Designation<br>Désignation | 80 bar | 100 bar | 120 bar |
|-----------|---------|--|----------------------------|--------|---------|---------|
| 70        | 6122352 | Kabinetbund, komplet<br>Bottom cabinet, complete<br>Unterteil des Gehäuses, kompl.<br>Dessous du capot, compl.       |                            | x      | x       | x       |
| 72        | 1809896 | Skrue<br>Screw<br>Schraube<br>Vis  |                            | 2      | 2       | 2       |
| 73        | 6123720 | Rep.kit, tætningssystem<br>Rep.kit, sealing system<br>Rep.satz, Dichtungssystem<br>Kit de rép., système d'étanchéité |                            | x      | x       | x       |
| 74        | 6122655 | Rep.kit, ventilsystem<br>Rep.kit, valve system<br>Rep.satz, Ventilsystem<br>Kit de rép., clapet                      |                            | x      | x       | x       |
| 75        | 3002128 | Pakning<br>Gasket<br>Dichtung<br>Joint   | USA/CDN                    | x      |         |         |
| 78        | 1605948 | Skruekobling, komplet<br>Screw coupling, complete<br>Schraubekupplung, komplett<br>Raccord visse, compl.             | USA/CDN                    | x      |         |         |
| 79        | 1402809 | Lynkoblingsnippel<br>Quick coupling, nipple<br>Schnellkupplung, Nippel<br>Raccord rapide, entrée                     | Hobby/X-tra                | 1      | 1       | 1       |
| 80        | 1608629 | Lynkobling<br>Quick coupling<br>Schnellkupplung<br>Raccord rapide mâle   | X-tra                      | 1      | 1       | 1       |
| 90        | 6410056 | Lynkobling, komplet<br>Quick coupling, compl.<br>Schnellkupplung, komplett<br>Raccord rapide, compl.                 | X-tra                      | x      | x       | x       |
| 91        | 6523000 | Pakdåse, kompl.<br>Stuffing box, compl.<br>Stopfbuchse, kompl.<br>Presse-étoupe, compl.                              |                            |        | 1       | 1       |
| 92        | 3004245 | O-ring<br>O-ring<br>O-Ring<br>Joint torique  |                            |        | 1       | 1       |
| 93        | 6523001 | Stempel f. s/s, kompl.<br>Piston f. s/s, compl.<br>Kolben f. S/S, kompl.<br>Piston p. m/a, compl.                    |                            |        | 1       | 1       |
| 94        | 2602431 | Fjeder, stor<br>Spring, big<br>Feder, gros<br>Ressort, gros  |                            | 1      | 1       |         |
| 95        | 2602449 | Fjeder, lille<br>Spring, small<br>Feder, klein<br>Ressort, petit   |                            | 1      | 1       |         |
| 96        | 6523002 | Sæde f. s/s, kompl.<br>Seat f. s/s, compl.<br>Sitz f. s/s, kompl.<br>Siège p. m/a, compl.                            |                            |        | 1       | 1       |
| -         | 5301425 | KEW Pump Oil 46, 1x1 l   |                            | x      | x       | x       |



1Tlvog01

