

# SSE 400 W

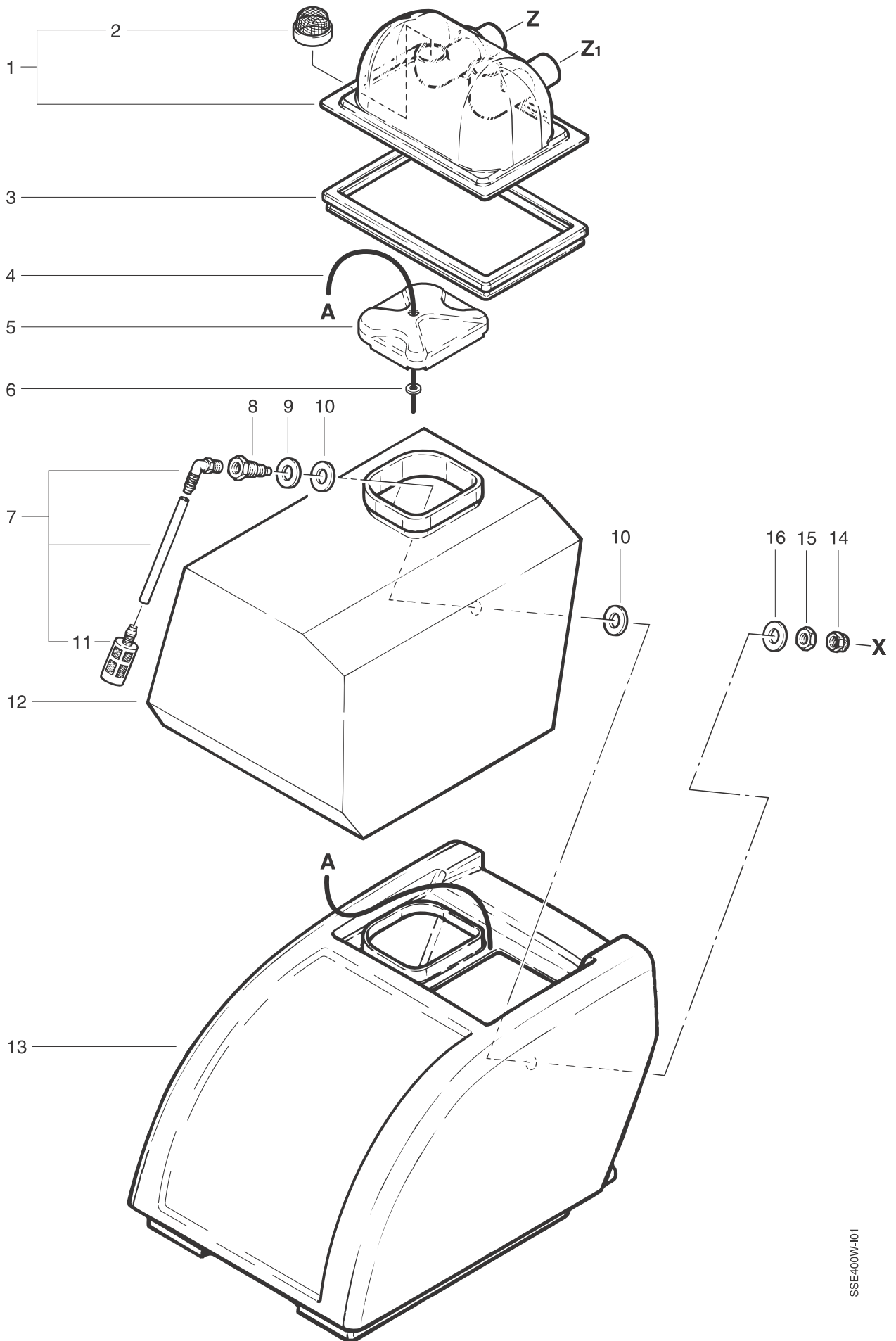


**Nilfisk**  
**ALTO**  
*Why Compromise*

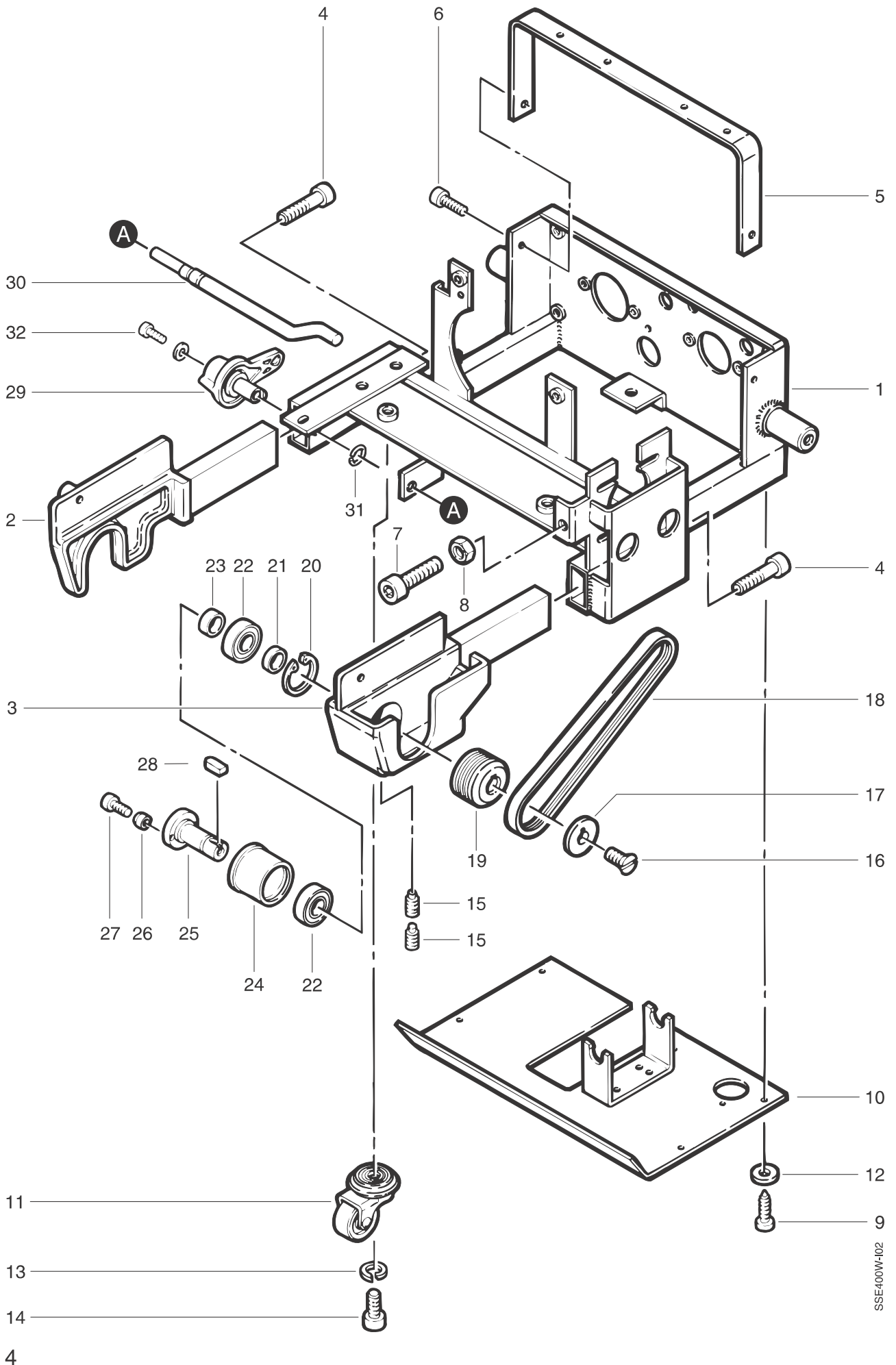
**Spare parts**  
**Ersatzteile**  
**Pièces détachées**  
**Reservedele**

**Clarke**  
TECHNOLOGY

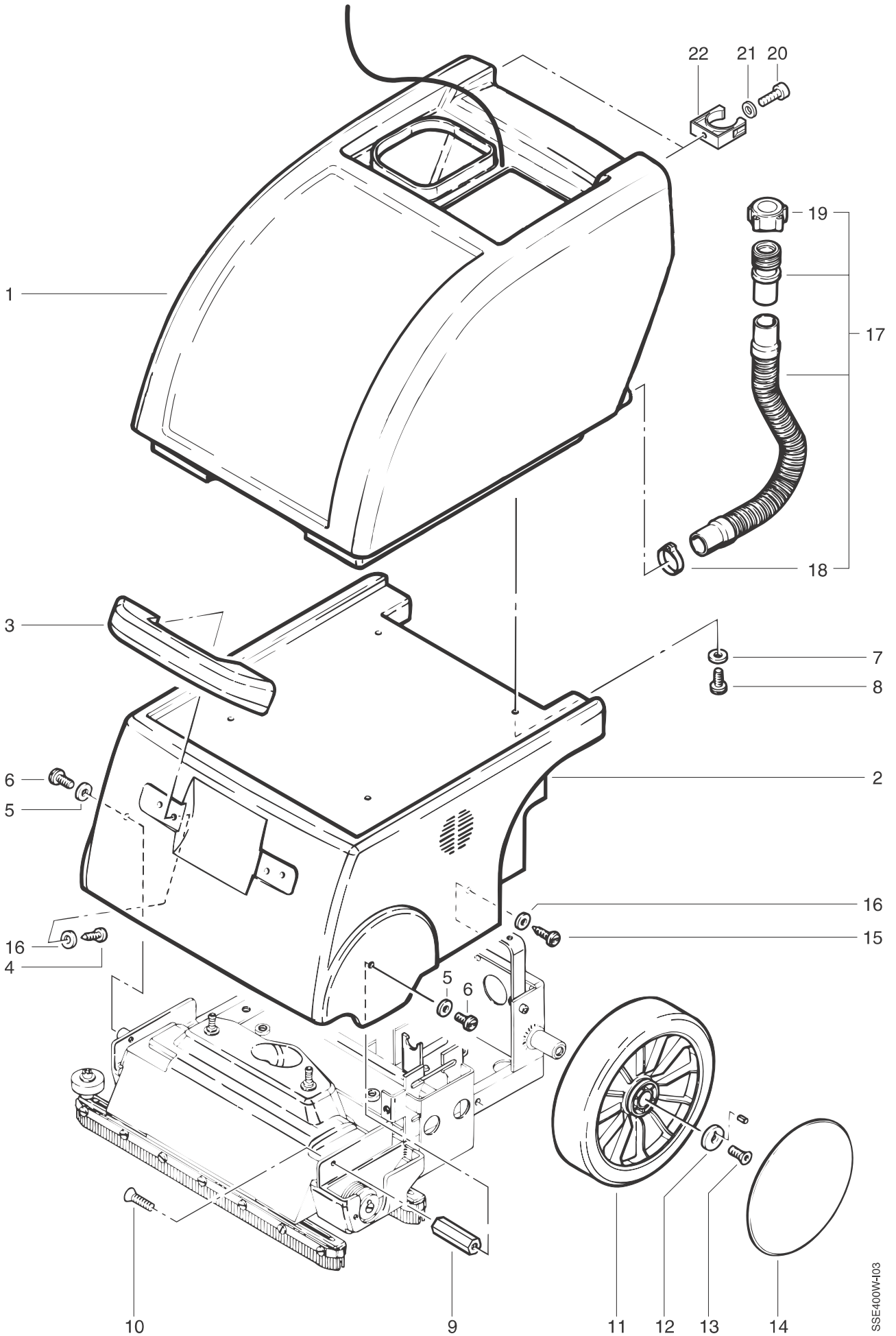
67077 - 2005-12-05 Ersatzteile unter [www.gluesing.net](http://www.gluesing.net)



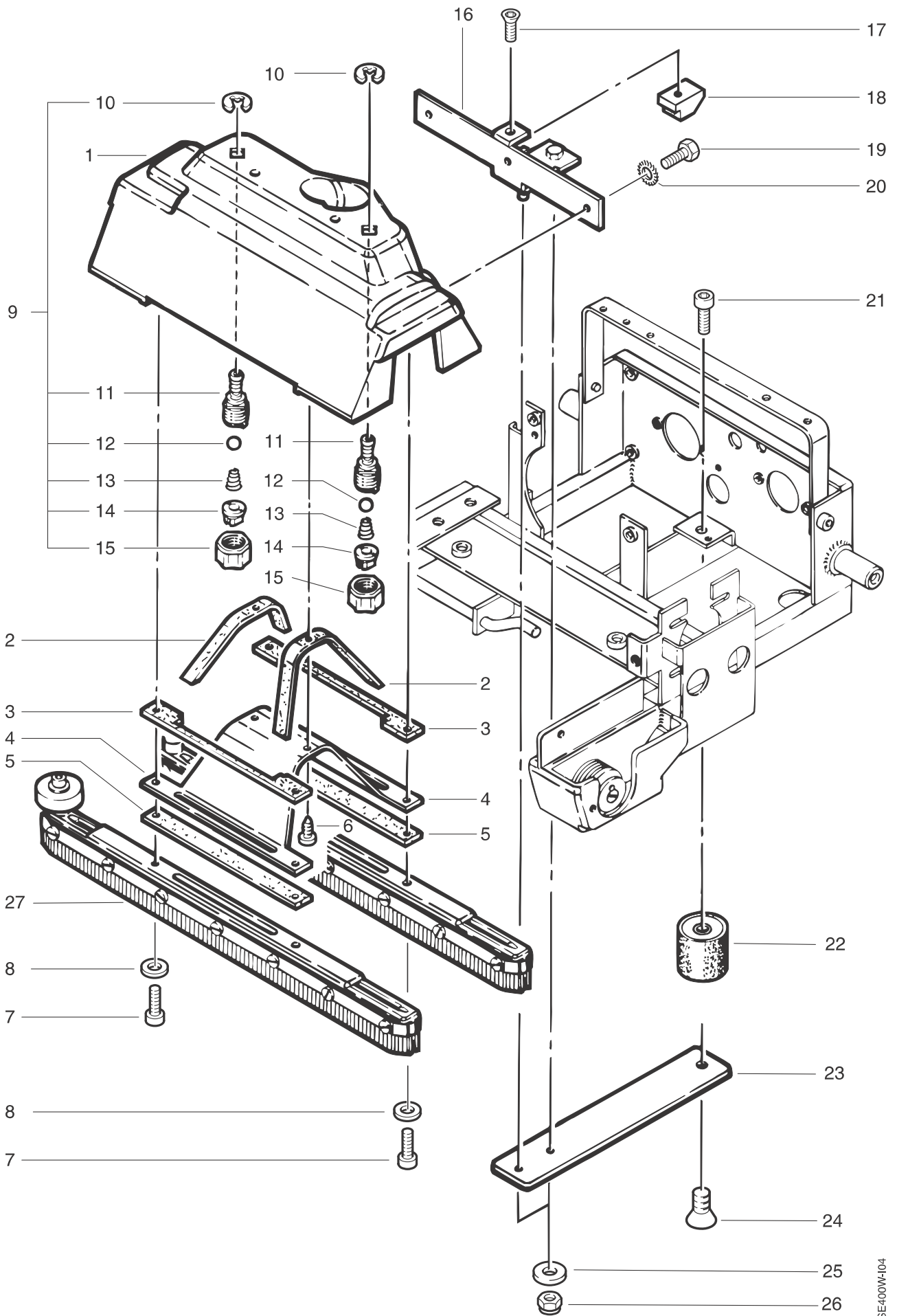
| POS. | NO.       | DESCRIPTION            | BEZEICHNUNG            |
|------|-----------|------------------------|------------------------|
| 1    | 44921     | Cover                  | Haube                  |
| 2    | 44922     | Filter                 | Filter                 |
| 3    | 48528     | Moulded gasket         | Dichtung Form-         |
| 4    | 303000507 | Cord Ø3x470            | Seil Ø3x470            |
| 5    | 63266     | Cover                  | Deckel                 |
| 6    | 3092      | Washer 4,3x0,8         | Scheibe 4,3x0,8        |
| 7    | 45018     | Hose                   | Schlauch               |
| 8    | 45024     | Reducer A3/8x1/4"      | Reduktion A3/8x1/4"    |
| 9    | 28133     | Washer 35x24x1,5       | Scheibe 35x24x1,5      |
| 10   | 28134     | Washer 35x24x1,5       | Scheibe 35x24x1,5      |
| 11   | 62412     | Suction filter         | Saugsieb               |
| 12   | 28353     | Tank                   | Tank Frischwasser      |
| 13   | 67051     | Container              | Behälter               |
| 14   | 45023     | Nut M12x10             | Überwurfmutter M12x10  |
| 15   | 7393      | Hexagon Nut R3/8x5     | Sechskantmutter R3/8x5 |
| 16   | 7279      | Packing Ring Ø17x2xØ32 | Dichtring Ø17x2xØ32    |



| POS. | NO.     | DESCRIPTION               | BEZEICHNUNG               |
|------|---------|---------------------------|---------------------------|
| 1    | 61786   | Chassis                   | Fahrwerk                  |
| 2    | 61787   | Retaining rail            | Halteschiene              |
| 3    | 44994   | Retaining rail left       | Halteschiene links        |
| 4    | 5945    | Screw M6x30               | Zylinderschraube M6x30    |
| 5    | 28390   | Support 3x280x20x110      | Bügel 3x280x20x110        |
| 6    | 9768    | Screw M4x12               | Zylinderschraube M4x12    |
| 7    | 8895    | Screw M8x25               | Zylinderschraube M8x25    |
| 8    | 2758    | Hexagon Nut M8            | Sechskantmutter M8        |
| 9    | 12189   | Sheet metal screw 2,2x9,5 | Blechschrabe 2,2x9,5      |
| 10   | 61788   | Floor sheet metal         | Bodenblech                |
| 11   | 61789   | Guide roller              | Lenkrolle                 |
| 12   | 42822   | Washer 3,2x0,5            | Scheibe 3,2x0,5           |
| 13   | 4828    | Lock washer 10            | Federring 10              |
| 14   | 34220   | Screw M10x25              | Zylinderschraube M10x25   |
| 15   | 20969   | Threaded Pin M5x6         | Gewindestift M5x6         |
| 16   | 5187    | Countersunk Screw M6x12   | Linsensenkschraube M6x12  |
| 17   | 44949   | Washer 6x2,8              | Scheibe 6x2,8             |
| 18   | 25720   | Drive belt                | Antriebsriemen            |
| 19   | 28810   | Strap disc                | Riemenscheibe             |
| 20   | 44943   | Ring 32x1,2               | Sicherungsring 32x1,2     |
| 21   | 44942   | Ring                      | Ring                      |
| 22   | 44940   | Bearing 6002-2RS          | Rillenkugellager 6002-2RS |
| 23   | 44941   | Ring                      | Ring                      |
| 24   | 44944   | Bearing bushing           | Lagerbuchse               |
| 25   | 44947   | Shaft                     | Achse                     |
| 26   | 44945   | Ring                      | Ring                      |
| 27   | 44939   | Screw M3x8                | Zylinderschraube M3x8     |
| 28   | 44946   | Parallel key 5x5x12       | Passfeder 5x5x12          |
| 29   | 61784   | Fixing knob               | Stellknopf                |
| 30   | 61790   | Actuating lever           | Stellhebel                |
| 31   | 14402   | Safety Disk Ø6            | Sicherungsscheibe Ø6      |
| 32   | 1801018 | Screw M4x8                | Schraube M4x8             |

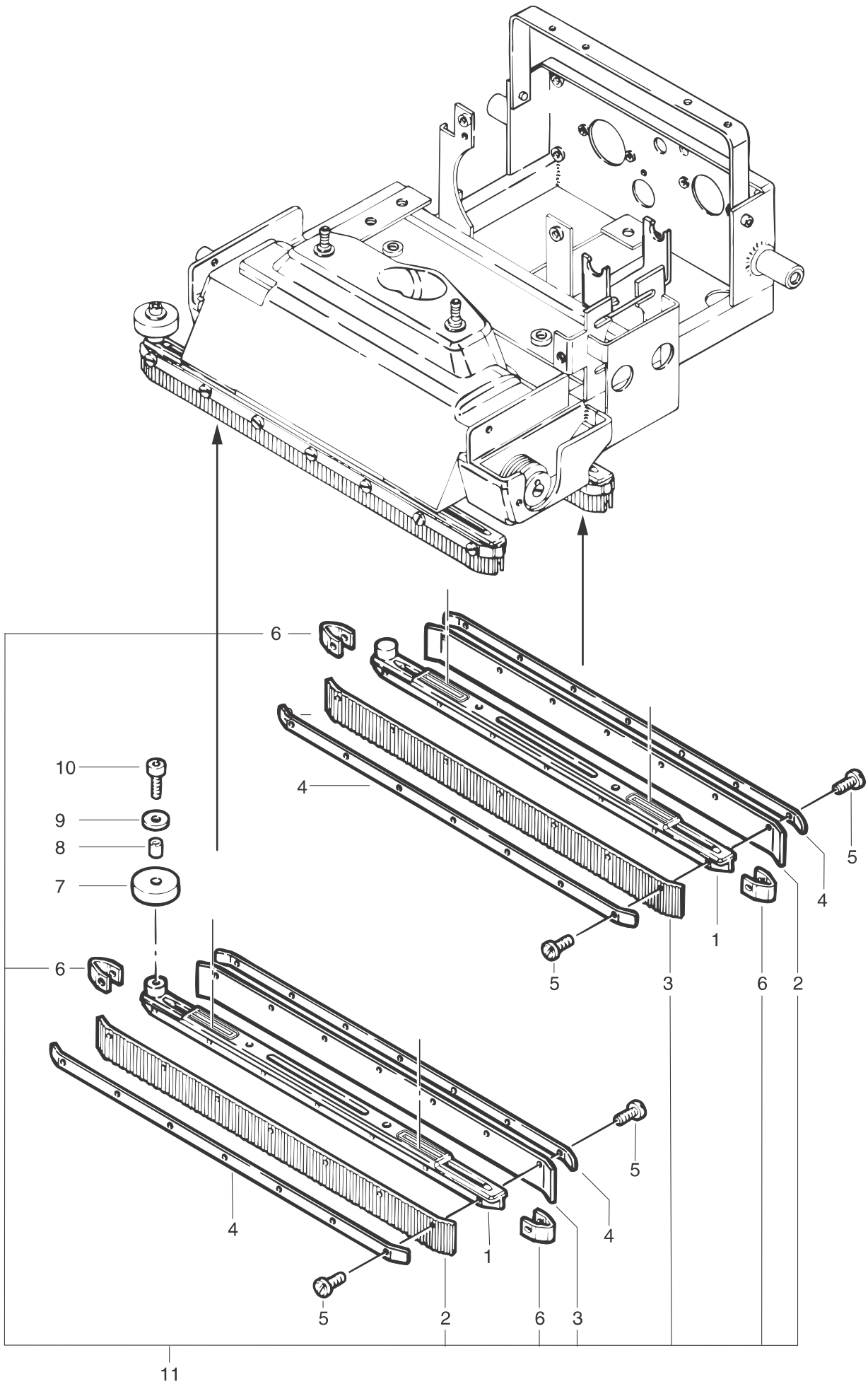


| POS. | NO.   | DESCRIPTION             | BEZEICHNUNG             |
|------|-------|-------------------------|-------------------------|
| 1    | 67051 | Container               | Behälter                |
| 2    | 61781 | Cover                   | Abdeckung               |
| 3    | 43191 | Bow-type handle         | Bügelgriff              |
| 4    | 11565 | Screw 5x18              | Schraube 5x18           |
| 5    | 2763  | Washer 5,3x1            | Scheibe 5,3x1           |
| 6    | 34214 | Pan head screw M5x12    | Flachkopfschraube M5x12 |
| 7    | 2764  | Washer 6,4x1,6          | Scheibe 6,4x1,6         |
| 8    | 2780  | Screw M6x12             | Zylinderschraube M6x12  |
| 9    | 61791 | Spacer piece SW14x52,5  | Distanzstück SW14x52,5  |
| 10   | 6200  | Countersunk screw M5x10 | Senkschraube M5x10      |
| 11   | 61782 | Wheel Ø230              | Rad Ø230                |
| 12   | 44949 | Washer 6x2,8            | Scheibe 6x2,8           |
| 13   | 31352 | Countersunk screw M6x10 | Senkschraube M6x10      |
| 14   | 67047 | Wheel Cap Ø180          | Radkappe Ø180           |
| 15   | 5190  | Screw 4,8x13            | Blechschrabe 4,8x13     |
| 16   | 2763  | Washer 5,3x1            | Scheibe 5,3x1           |
| 17   | 28351 | Hose Ø32x330            | Schlauch Ø32x330        |
| 18   | 31001 | Hose Clip Ø32-50        | Schlauchschelle Ø32-50  |
| 19   | 40041 | Cover                   | Deckel                  |
| 20   | 9795  | Screw M5x12             | Schraube M5x12          |
| 21   | 15498 | Washer 5,3x1            | Scheibe 5,3x1           |
| 22   | 7286  | Retaining Clamp         | Halteklammer            |



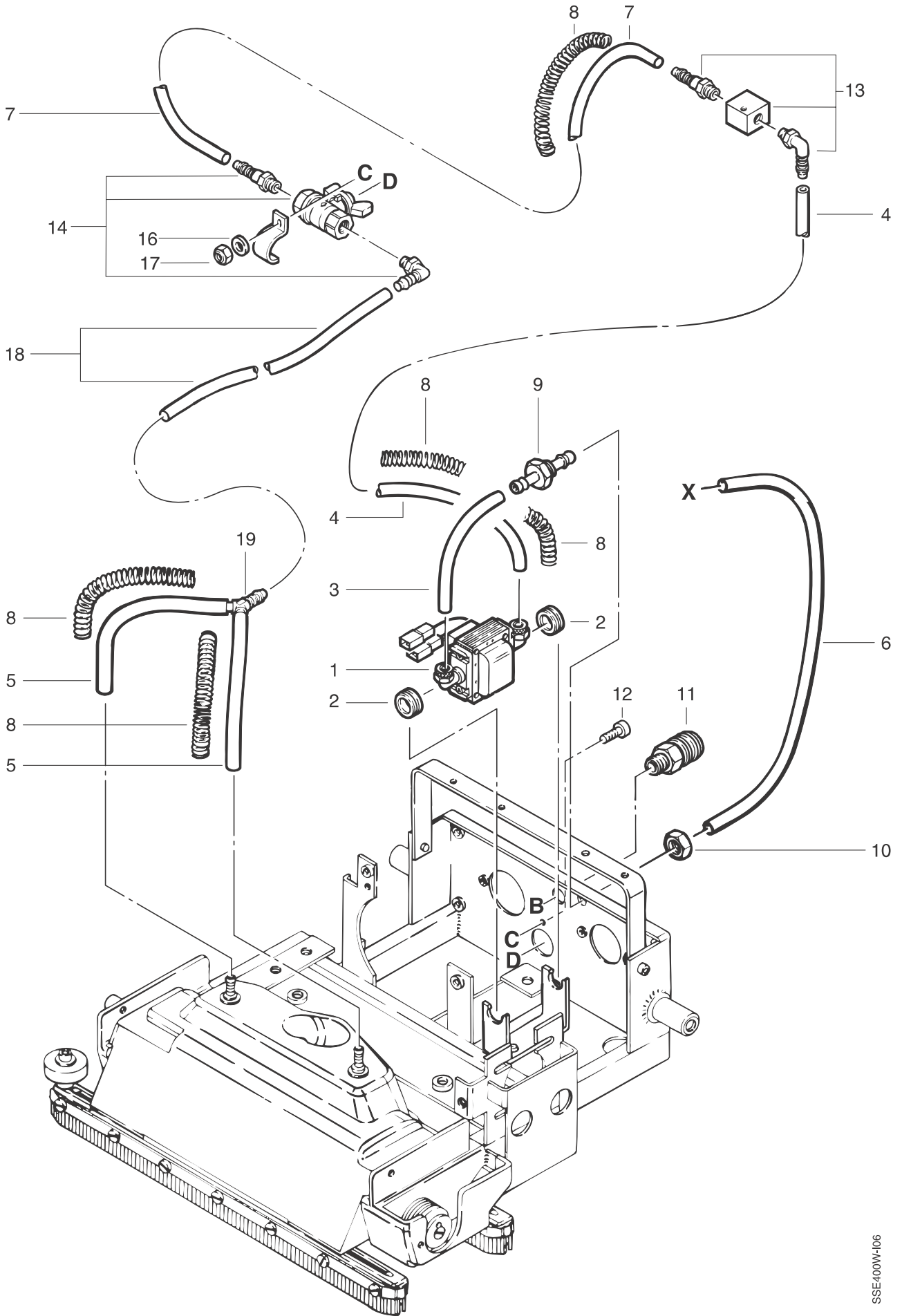


| POS. | NO.   | DESCRIPTION                   | BEZEICHNUNG                |
|------|-------|-------------------------------|----------------------------|
| 1    | 44995 | Cover 450x50x150              | Saugkanal                  |
| 2    | 45009 | Gasket 200x10x3               | Dichtung 200x10x3          |
| 3    | 45010 | Gasket 190x18x3               | Dichtung 190x18x3          |
| 4    | 45012 | Plate profile                 | Blech Profil-              |
| 5    | 44933 | Gasket 190x18x3               | Dichtung 190x18x3          |
| 6    | 57069 | Screw M4x10                   | Linsenschraube M4x10       |
| 7    | 24316 | Screw M5x16                   | Schraube M5x16             |
| 8    | 2763  | Washer 5,3x1                  | Scheibe 5,3x1              |
| 9    | 45013 | Spray nozzle                  | Sprühdüse                  |
| 10   | 34480 | Retaining Washer D9           | Sicherungsscheibe D9       |
| 11   | 34479 | Nozzle Holder                 | Düsenhalter                |
| 12   | 34478 | Ball                          | Kugel                      |
| 13   | 34477 | Spring                        | Druckfeder                 |
| 14   | 45007 | Spray nozzle                  | Sprühdüse                  |
| 15   | 7365  | Cap Nut G3/8"                 | Überwurfmutter G3/8"       |
| 16   | 61785 | Nozzle holder                 | Düsenhalter                |
| 17   | 19527 | Countersunk Screw M4x10       | Senkschraube M4x10         |
| 18   | 61812 | Support                       | Unterlage                  |
| 19   | 6137  | Screw M5x10                   | Sechskantschraube M5x10    |
| 20   | 3376  | Serrated Lock Washer Ø5,3     | Fächerscheibe Ø5,3         |
| 21   | 8891  | Screw M8x10                   | Zylinderschraube M8x10     |
| 22   | 28135 | Anti vibrations damper Ø30x40 | Schwingmetallpuffer Ø30x40 |
| 23   | 61813 | Support frame                 | Träger                     |
| 24   | 8942  | Countersunk Screw M8x16       | Senkschraube M8x16         |
| 25   | 5166  | Washer 5,3x1,6                | Scheibe 5,3x1,6            |
| 26   | 24562 | Hexagon Nut M5                | Sechskantmutter M5         |
| 27   | 45000 | Bar                           | Saugdüse                   |

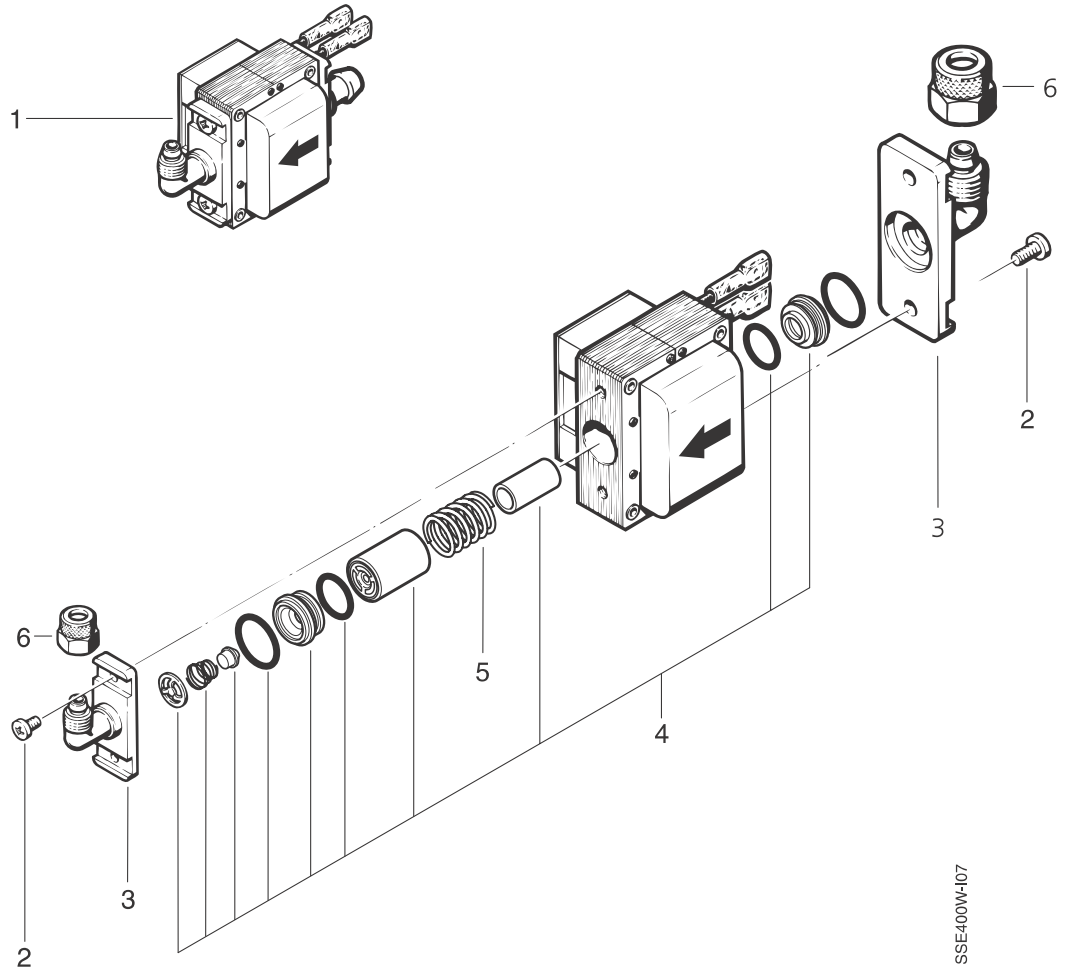


SSE400W-I05

| POS. | NO.   | DESCRIPTION                | BEZEICHNUNG             |
|------|-------|----------------------------|-------------------------|
| 1    | 45001 | Bar                        | Saugdüse                |
| 2    | 45003 | Wiper lamella              | Abstreiflamelle         |
| 3    | 45004 | Wiper lamella              | Abstreiflamelle         |
| 4    | 44999 | Retaining rail             | Halteschiene            |
| 5    | 44998 | Screw M4x10                | Flachkopfschraube M4x10 |
| 6    | 45002 | End cap                    | Kantenschutz            |
| 7    | 44997 | Roll                       | Rolle                   |
| 8    | 44996 | Female fitting Ø5,5/8x10,5 | Hülse Ø5,5/8x10,5       |
| 9    | 5166  | Washer 5,3x1,6             | Scheibe 5,3x1,6         |
| 10   | 8915  | Screw M5x20                | Schraube M5x20          |
| 11   | 45011 | Wiper lamella - Set        | Abstreiflamelle - Set   |

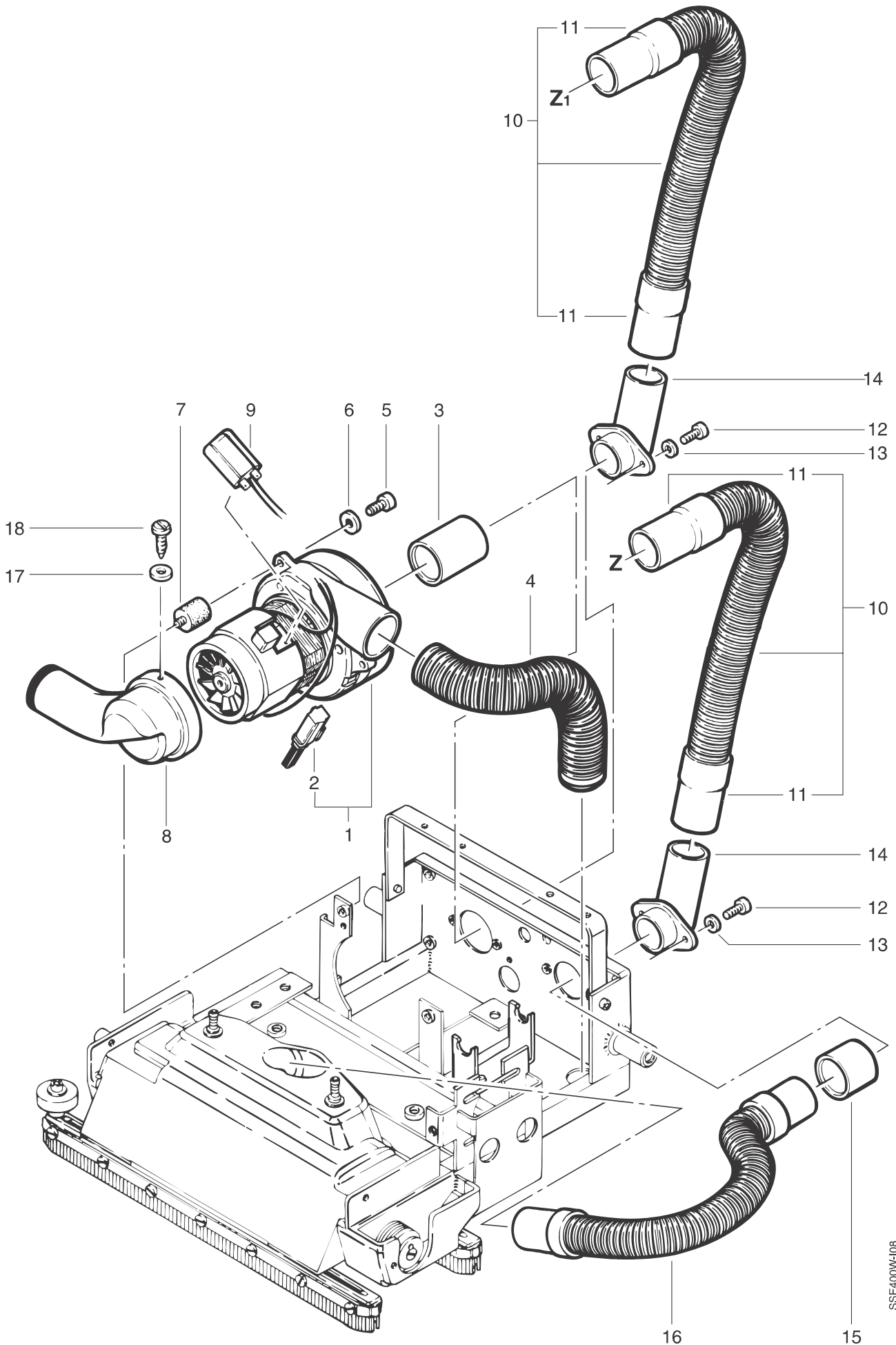


| POS. | NO.   | DESCRIPTION                | BEZEICHNUNG              |
|------|-------|----------------------------|--------------------------|
| 1    | 45022 | Pump 240/220V/50Hz         | Pumpe 240/220V/50Hz      |
| 2    | 7385  | Retaining Ring             | Halterungsring           |
| 3    | 45016 | Hose Ø6x1x170              | Schlauch Ø6x1x170        |
| 4    | 28377 | Hose Ø6x1x330              | Schlauch Ø6x1x330        |
| 5    | 45014 | Hose Ø6x1x135              | Schlauch Ø6x1x135        |
| 6    | 28377 | Hose Ø6x1x330              | Schlauch Ø6x1x330        |
| 7    | 45017 | Hose Ø6x1x210              | Schlauch Ø6x1x210        |
| 8    | 45019 | Spring                     | Feder                    |
| 9    | 45020 | Hose nozzle Ø6/G1/8        | Schlauchtülle Ø6/G1/8    |
| 10   | 3504  | Nut 6KT G1/8               | Mutter 6KT G1/8          |
| 11   | 7354  | Coupling 1/4"              | Kupplung 1/4"            |
| 12   | 9795  | Screw M5x12                | Schraube M5x12           |
| 13   | 61811 | Distributor 40x40x40 1/8"l | Verteiler 40x40x40 1/8"l |
| 14   | 61810 | Ball valve R1/8            | Kugelhahn R1/8           |
| 16   | 2763  | Washer 5,3x1               | Scheibe 5,3x1            |
| 17   | 24562 | Hexagon Nut M5             | Sechskantmutter M5       |
| 18   | 45015 | Hose Ø6x1x235              | Schlauch Ø6x1x235        |
| 19   | 2399  | Hose liner Ø6 Y            | Schlauchtülle Ø6 Y       |



SSE400W-107

| POS. | NO.       | DESCRIPTION        | BEZEICHNUNG            |
|------|-----------|--------------------|------------------------|
| 1    | 45022     | Pump 240/220V/50Hz | Pumpe 240/220V/50Hz    |
| 2    | 27138     | Screw M4x8         | Schraube M4x8          |
| 3    | 45021     | Connecting flange  | Flansch Anschluss-     |
| 4    | 34049     | Repair Kit         | Rep.Satz Wasserpumpe   |
| 5    | 909100089 | Spring 1,7x14,6x20 | Druckfeder 1,7x14,6x20 |
| 6    | 45023     | Nut M12x10         | Überwurfmutter M12x10  |

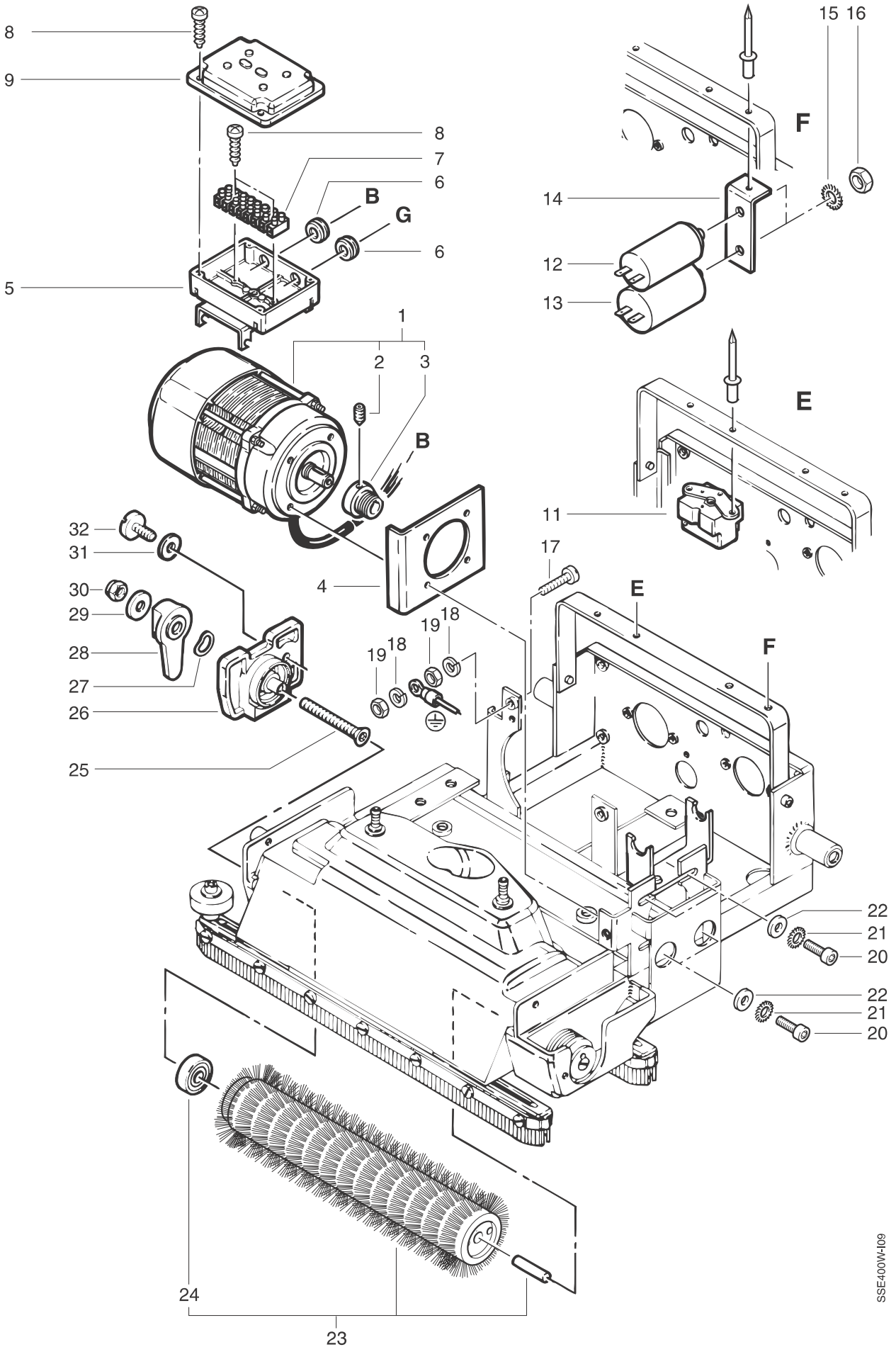


SSE400W-108

67077 - 2005-12-05

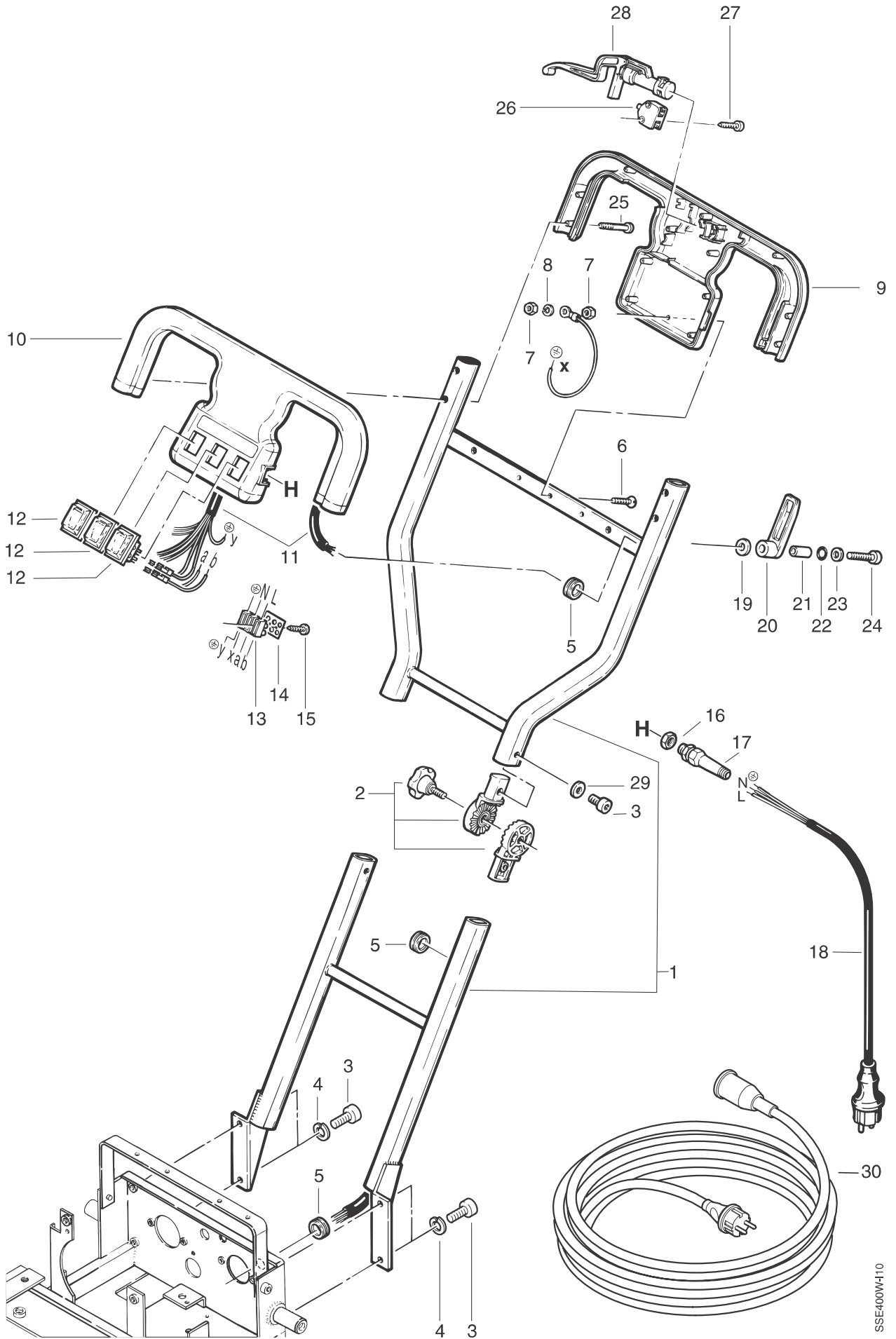


| POS. | NO.   | DESCRIPTION                  | BEZEICHNUNG            |
|------|-------|------------------------------|------------------------|
| 1    | 45053 | Motor 800W 220V              | Motor 800W 220V        |
| 2    | 49626 | Carbon brush set             | Kohlebuersten-Set <H>  |
| 3    | 45032 | Hose Ø36x65                  | Schlauch Ø36x65        |
| 4    | 25728 | Hose                         | Schalldämmschlauch     |
| 5    | 24355 | Screw M6x16                  | Zylinderschraube M6x16 |
| 6    | 2764  | Washer 6,4x1,6               | Scheibe 6,4x1,6        |
| 7    | 34960 | Anti Vibration Damper Ø20x15 | Puffer Ø20x15          |
| 8    | 25730 | Cooling-air-conduit          | Kühlluftkanal          |
| 9    | 45033 | Capacitor                    | Entstörkondensator     |
| 10   | 28376 | Suction hose Ø40x790         | Saugschlauch Ø40x790   |
| 11   | 45028 | Sleeve D32                   | Schlauchmuffe D32      |
| 12   | 9768  | Screw M4x12                  | Zylinderschraube M4x12 |
| 13   | 24353 | Washer 4,3x1                 | Scheibe 4,3x1          |
| 14   | 49447 | Support                      | Stutzen                |
| 15   | 25733 | Sleeve                       | Muffe                  |
| 16   | 25732 | Suction hose Ø32x540         | Saugschlauch Ø32x540   |
| 17   | 12256 | Disc                         | Scheibe                |
| 18   | 15094 | Sheet metal screw 2,9x6,5    | Blechschrabe 2,9x6,5   |

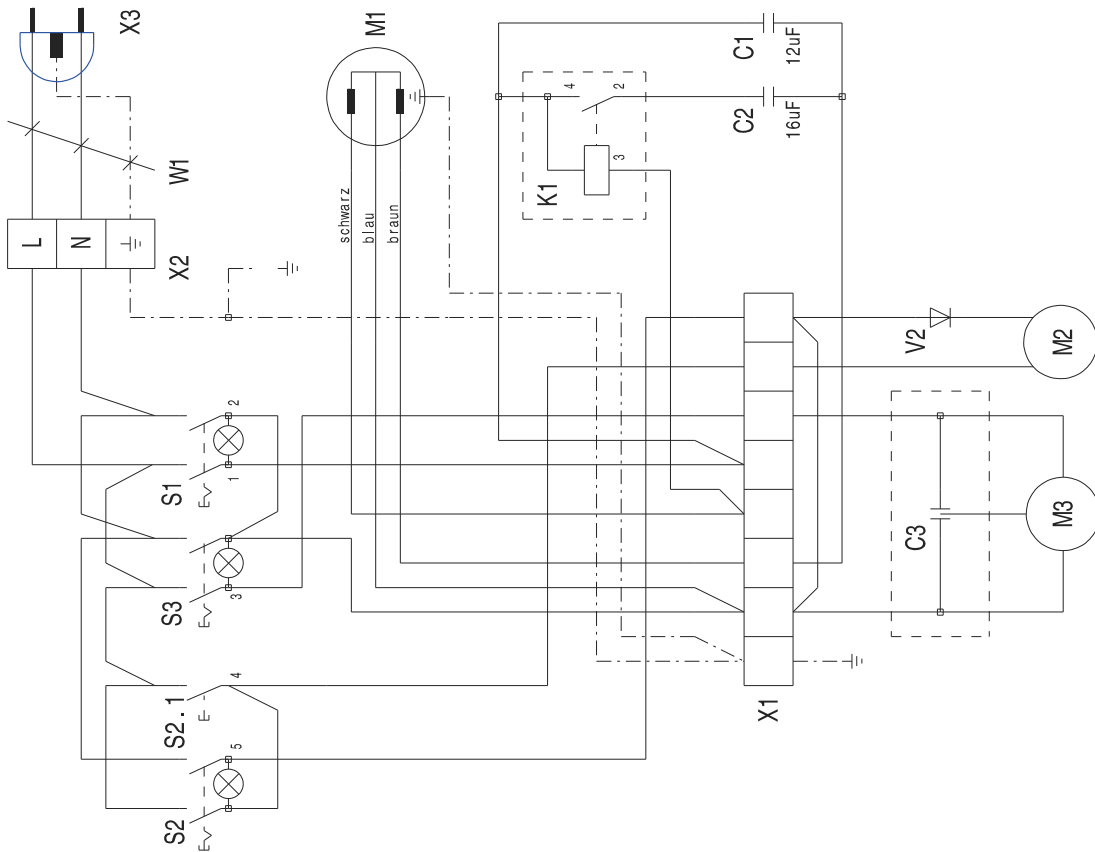


SSE400W-109

| POS. | NO.       | DESCRIPTION                       | BEZEICHNUNG                       |
|------|-----------|-----------------------------------|-----------------------------------|
| 1    | 45034     | Motor 0,37kW 230V                 | Motor 0,37kW 230V                 |
| 2    | 6652      | Set screw M6x10                   | Gewindestift M6x10                |
| 3    | 303001002 | Pulley Ø28                        | Riemenscheibe Ø28                 |
| 4    | 45036     | Bracket                           | Winkel                            |
| 5    | 60031     | Electric box                      | Klemmkasten Unterteil             |
| 6    | 7255      | Insert ring                       | Einsatzring                       |
| 7    | 12070     | Terminal Block                    | Lüsterklemme                      |
| 8    | 18086     | Screw 2,9x13                      | Blechschraube 2,9x13              |
| 9    | 60032     | Cover Distribution Box            | Klemmkastendeckel                 |
| 11   | 28383     | Relay 230V                        | Anlassrelais 230V                 |
| 12   | 45025     | Capacitor 12µF                    | Kondensator 12µF                  |
| 13   | 28380     | Capacitor 16µF                    | Kondensator 16µF                  |
| 14   | 28381     | Support                           | Halter                            |
| 15   | 2803      | Washer 8,2                        | Zahnscheibe 8,2                   |
| 16   | 20908     | Hexagon Nut M8                    | Sechskantmutter M8                |
| 17   | 3389      | Screw M4x20                       | Zylinderschraube M4x20            |
| 18   | 4021      | Serrated Lock Washer A4,3         | Fächerscheibe A4,3                |
| 19   | 15319     | Hexagon Nut M4                    | Sechskantmutter M4                |
| 20   | 32535     | Screw M5x16                       | Zylinderschraube M5x16            |
| 21   | 3424      | Lock Washer 5                     | Federring 5                       |
| 22   | 5166      | Washer 5,3x1,6                    | Scheibe 5,3x1,6                   |
| 23   | 44934     | Roller Brush Standard             | Walzenbürste Standard             |
| 23   | 49712     | Roller Brush Nylon, hart - Option | Walzenbürste Nylon, hart - Option |
| 24   | 44938     | Bearing 6201-2RS                  | Wälzlager 6201-2RS                |
| 25   | 11257     | Screw M6x90                       | Linsensenkschraube M6x90          |
| 26   | 25736     | Brush holder                      | Bürstenhalter                     |
| 27   | 45040     | Washer 15x0,2                     | Federscheibe 15x0,2               |
| 28   | 44935     | Support                           | Hebel                             |
| 29   | 2766      | Washer 6,4x1,6                    | Scheibe 6,4x1,6                   |
| 30   | 33158     | Nut 6KT- M6                       | Sechskantmutter M6                |
| 31   | 5166      | Washer 5,3x1,6                    | Scheibe 5,3x1,6                   |
| 32   | 48745     | Screw M5x8                        | Schraube M5x8                     |



| POS. | NO.       | DESCRIPTION                              | BEZEICHNUNG                               |
|------|-----------|--|---|
| 1    | 25742     | Shackle                                  | Bügel                                     |
| 2    | 54953     | Pivot joint                              | Gelenk                                    |
| 3    | 3913      | Screw M6x12                              | Zylinderschraube M6x12                    |
| 4    | 2772      | Lock Washer 6                            | Federring 6                               |
| 5    | 7255      | Insert ring                              | Einsatzring                               |
| 6    | 3480      | Screw M4x20                              | Senkschraube M4x20                        |
| 7    | 2759      | Hexagon Nut M4                           | Sechskantmutter M4                        |
| 8    | 24353     | Washer 4,3x1                             | Scheibe 4,3x1                             |
| 9    | 45048     | Handle recess                            | Griffschale                               |
| 10   | 45047     | Handle recess                            | Griffschale                               |
| 11   | 61809     | Cable                                    | Kabelbaum                                 |
| 12   | 43989     | Switch 0-1/16(8)A                        | Wippschalter 0-1/16(8)A                   |
| 13   | 12070     | Terminal Block                           | Lüsterklemme                              |
| 14   | 7146      | Label                                    | Klebeschild                               |
| 15   | 5188      | Screw 2,9x16                             | Blechschrabe 2,9x16                       |
| 16   | 1458      | Nut 6KT PG 9                             | Sechskantmutter PG 9                      |
| 17   | 45052     | Cable screwing PG 9                      | Kabelverschraubung PG 9                   |
| 18   | 10440     | Power Cord H07RN-F 3G1,5x5 SEV *CH*      | Netzleitung H07RN-F 3G1,5x5 SEV *CH*      |
| 18   | 302000957 | Power cord H05VV-F 3G1,5x10 BS1363A *GB* | Netzleitung H05VV-F 3G1,5x10 BS1363A *GB* |
| 18   | 303000509 | Power Cord H07VV-F 3G1,5x0,8 *DE*        | Netzleitung H07VV-F 3G1,5x0,8 *DE*        |
| 19   | 14805     | Washer 6,4x1,6                           | Scheibe 6,4x1,6                           |
| 20   | 7423      | Cable hook                               | Kabelhaken                                |
| 21   | 7421      | Spacer sleeve 8/6X19                     | Distanzhülse 8/6X19                       |
| 22   | 7424      | O-ring 8,76x1,8                          | O-Ring 8,76x1,8                           |
| 23   | 17849     | Washer 6,4x1,6                           | Scheibe 6,4x1,6                           |
| 24   | 5945      | Screw M6x30                              | Zylinderschraube M6x30                    |
| 25   | 45043     | Screw 3x30                               | Schraube 3x30                             |
| 26   | 45046     | Switch                                   | Tastschalter                              |
| 27   | 45045     | Screw 3x20                               | Schraube 3x20                             |
| 28   | 45049     | Control lever                            | Hebel                                     |
| 29   | 2766      | Washer 6,4x1,6                           | Scheibe 6,4x1,6                           |
| 30   | 25323     | Cable 3G1,5x25 Option                    | Leitung Verl. 3G1,5x25 Option             |
| 30   | 303000503 | Cable 3G1,5x15                           | Leitung Verl. 3G1,5x15                    |



|      |                                  |                     |
|------|----------------------------------|---------------------|
| C1   | Betriebskondensator              | Capacitor           |
| C2   | Anlasskondensator                | Start capacitor     |
| C3   | Entstoerkondensator              | Filtering capacitor |
| K1   | Anlaufrelais                     | Start relay         |
| M1   | Buerstmotor                      | Motor brush         |
| M2   | Schwingkolbenpumpe               | Motor pump          |
| M3   | Saugmotor                        | Motor vac           |
| S1   | Schalter Buerstmotor             | Motor brush switch  |
| S2   | Schalter Pumpe fuer Dauerbetrieb | Motor pump switch   |
| S2.1 | Taster Pumpe fuer                | Motor pump switch   |
| S3   | Schalter Saugmotor               | Motor vac switch    |
| V2   | Diode                            | Diode               |
| W1   | Anschlussleitung                 | Power cord          |
| X1   | Motor-Klemmleiste                | Terminal motor      |
| X2   | Netzanschlussklemme              | Terminal            |
| X3   | Netzstecker                      | Plug                |



# Nilfisk ALTO

Why Compromise

[www.nilfisk-alto.com](http://www.nilfisk-alto.com)

## HEADQUARTER

### DENMARK

Nilfisk-Advance Group  
Sognevej 25  
2605 Brøndby  
Denmark  
Tel.: (+45) 43 23 81 00  
Fax: (+45) 43 43 77 00  
E-mail: [mail@nilfisk-advance.dk](mailto:mail@nilfisk-advance.dk)

## SALES COMPANIES

### AUSTRALIA

Nilfisk-ALTO  
48 Egerton St.  
PO box 6046  
Silverwater NSW 2128  
Australia  
Tel.: (+61) 2 8748 5966  
Fax: (+61) 2 8748 5960

### AUSTRIA

Nilfisk-Advance GmbH.  
Nilfisk-ALTO  
Metzgerstrasse 68  
A-5101 Bergheim bei Salzburg  
Tel.: (+43) 662 456 400-0  
Fax: (+43) 662 456 400-34  
E-mail: [info@nilfisk-alto.at](mailto:info@nilfisk-alto.at)  
[www.nilfisk-alto.at](http://www.nilfisk-alto.at)

### BRASIL

Wap do Brasil Ltda.  
Rua das Palmeiras, 350  
Capela Velha  
83.705-500 – Araucária - PR  
Brasil  
Tel.: (+55) 41 2106 7400  
Fax: (+55) 41 2106 7403  
E-mail: [export@wapdobrasil.com.br](mailto:export@wapdobrasil.com.br)

### CANADA

ALTO Canada  
24 Constellation Road  
Rexdale  
Ontario M9W 1K1  
Canada  
Tel.: (+1) 416 675 5830  
Fax: (+1) 416 675 6989

### CZECH REPUBLIC

ALTO Česká republika s.r.o.  
Zateckých 9  
14000 Praha 4  
Czech Republic  
Tel.: (+420) 24 14 08 419  
Fax: (+420) 24 14 08 439  
E-mail: [wap\\_p@mbox.vol.cz](mailto:wap_p@mbox.vol.cz)

### DENMARK

Nilfisk-ALTO  
Division of Nilfisk-Advance A/S  
Industrivej 1  
9560 Hadsund  
Denmark  
Tel.: (+45) 72 18 21 00  
Fax: (+45) 72 18 21 11  
E-mail: [salg@nilfisk-alto.dk](mailto:salg@nilfisk-alto.dk)  
E-mail: [service@nilfisk-alto.dk](mailto:service@nilfisk-alto.dk)  
[www.nilfisk-alto.dk](http://www.nilfisk-alto.dk)

Nilfisk-ALTO Food Division  
Division of Nilfisk-Advance A/S  
Blytækkervej 2,  
9000 Aalborg  
Denmark  
Tel.: (+45) 72 18 21 00  
Fax: (+45) 72 18 20 99  
E-mail: [scanio.technology@nilfisk-alto.dk](mailto:scanio.technology@nilfisk-alto.dk)  
[www.nilfisk-alto.com](http://www.nilfisk-alto.com)

### FRANCE

Nilfisk-ALTO  
ALTO France SA  
Aéroparc 1  
19 rue Icare  
67960 Entzheim  
France  
Tel.: (+33) 3 88 28 84 00  
Fax: (+33) 3 88 30 05 00  
E-mail: [info@nilfisk-alto-fr](mailto:info@nilfisk-alto-fr)  
[www.nilfisk-alto.com](http://www.nilfisk-alto.com)

### GERMANY

Nilfisk-Advance AG  
Nilfisk-ALTO Business Unit  
Guido-Oberdorfer-Str. 10  
89287 Bellenberg  
Germany  
Tel.: (+49) (0) 180 5 37 37 37  
Fax: (+49) (0) 180 5 37 37 38  
E-mail: [info@nilfisk-alto.de](mailto:info@nilfisk-alto.de)  
[www.nilfisk-alto.de](http://www.nilfisk-alto.de)

### HOLLAND

Nilfisk-ALTO  
Division of Nilfisk-Advance BV  
Camerastraat 9  
NL-1322 BB Almere  
Tel.: (+31) 36 5460 760  
Fax: (+31) 36 5460 761  
E-mail: [info@nilfisk-alto.nl](mailto:info@nilfisk-alto.nl)  
[www.nilfisk-alto.nl](http://www.nilfisk-alto.nl)

### HONG KONG

Nilfisk-Advance Ltd.  
2001 HK Worsted Mills Ind'l Bldg.,  
31-39 Wo Tong Tsui St.  
Kwai Chung, Hong Kong  
Tel.: (+852) 2427 5951  
Fax: (+852) 2487 5828

### HUNGARY

Kvantor-Itb Kft  
II. Rákóczi Ferenc út 10  
2310 Szigetszentmiklos-Lakihegy  
Hungary  
Tel.: (+36) 24 47 55 50  
Fax: (+36) 24 47 55 51  
E-mail: [nilfisk@kvantor-itb.hu](mailto:nilfisk@kvantor-itb.hu)

### JAPAN

Nilfisk-Advance, Inc.  
1-6-6 Kita-shinyokohama, Kouhoku-ku,  
Yokohama, 223-0059  
Japan  
Tel.: (+81) 45 548 2571  
Fax: (+81) 45 548 2541

### MALAYSIA

Nilfisk-Advance Sdn Bhd  
No. 1011, Block A4  
Leisure Commerce Square  
No. 9, Jalan PJS 8/9  
46150 Petaling Jaya  
Selangor, Malaysia  
Tel.: (+60) 3 603 7876 4222  
Fax: (+60) 3 603 7876 3878

### PEOPLE'S REPUBLIC OF CHINA

Nilfisk-Advance (Shenzhen) Ltd  
Blok 3, Unit 130, 1001 Honghua Road  
Int. Commercial & Trade Center  
Fuitian Free Trade Zone  
518038 Shenzhen  
P.R. China  
Tel.: (+86) 755 8359 7937  
Fax: (+86) 755 8359 1063

### POLAND

Nilfisk-ALTO  
Division of Nilfisk-Advance A/S  
05-800 Pruszków  
ul. 3-go MAJA 8  
Poland  
Tel.: (+48) 22 738 37 50  
Fax: (+48) 22 738 37 51  
[info@nilfisk-alto.pl](mailto:info@nilfisk-alto.pl)  
[www.nilfisk-alto.pl](http://www.nilfisk-alto.pl)

### NORWAY

ALTO Norge AS  
Bjørnerudveien 24

1266 Oslo  
Norway  
Tel.: (+47) 22 75 17 70  
Fax: (+47) 22 75 17 71  
E-mail: [info@nilfisk-alto.no](mailto:info@nilfisk-alto.no)  
[www.nilfisk-alto.no](http://www.nilfisk-alto.no)

### PORTUGAL

Nilfisk-ALTO  
Division of Nilfisk-Advance Lda.  
Sintra Business Park  
Zona Industrial Da Abrunheira  
Edificio 1, 1º A  
P-2710-089 Sintra  
Tel.: (+35) 808 200 537  
Fax: (+35) 121 911 2679  
E-mail: [mkt@nilfisk-advance.es](mailto:mkt@nilfisk-advance.es)  
[www.nilfisk-alto.com](http://www.nilfisk-alto.com)

### SINGAPORE

Nilfisk-Advance Pte. Ltd.  
Nilfisk-ALTO Division  
40 Loyang Drive  
Singapore 508961  
[sales@nilfisk-advance.com.sg](mailto:sales@nilfisk-advance.com.sg)  
Tel.: (+65) 6 759 9100  
Fax: (+65) 6 759 9133

### SPAIN

Nilfisk-ALTO  
Division of Nilfisk-Advance S.A.  
Torre DAra  
Paseo del Rengle, 5 Pl. 10  
E-08302 Mataró  
Tel.: (+34) 902 200 201  
Fax: (+34) 93 757 8020  
E-mail: [mkt@nilfisk-advance.es](mailto:mkt@nilfisk-advance.es)  
[www.nilfisk-alto.com](http://www.nilfisk-alto.com)

### SWEDEN

ALTO Sverige AB  
Member of Nilfisk-Advance Group  
Aminogatan 18, Box 4029  
S-431 04 Mölndal  
Sweden  
Tel.: (+46) 31 706 73 00  
Fax: (+46) 31 706 73 40  
E-mail: [info@nilfisk-alto.se](mailto:info@nilfisk-alto.se)  
[www.nilfisk-alto.se](http://www.nilfisk-alto.se)

### TAIWAN

Nilfisk-Advance Ltd.  
Taiwan Branch (H.K.)  
1F, No. 193, Sec.2  
Xing Long Rd., Taipei  
Taiwan, R.O.C.  
Tel.: (+886) 2 2239 8812  
Fax: (+886) 2 2239 8832

### THAILAND

Nilfisk-Advance Co. Ltd.  
89 Soi Chochechai-Ruammitr  
Viphavadee-Rangsit Road  
Ladyao, Jatuchak, Bangkok 10900  
Thailand  
Tel.: (+66) 2 275 5630  
Fax: (+66) 2 691 4079

### UNITED KINGDOM

Nilfisk-ALTO  
Division of Nilfisk-Advance Ltd.  
Bowerbank Way  
Gilwilly Industrial Estate  
Penrith Cumbria CA11 9BQ  
Great Britain  
Tel.: (+44) (0) 1768 868995  
Fax: (+44) (0) 1768 864713  
E-mail: [sales@nilfisk-alto.co.uk](mailto:sales@nilfisk-alto.co.uk)  
[www.nilfisk-alto.co.uk](http://www.nilfisk-alto.co.uk)

### USA

ALTO Cleaning Systems Inc.  
Part of the Nilfisk-Advance Group  
12249 Nations Ford Road  
Pineville, NC 28134  
USA  
Tel.: (+1) 704 971 1240  
Fax: (+1) 704 971 1241  
E-mail: [info@nilfisk-advance.us](mailto:info@nilfisk-advance.us)  
[www.nilfisk-alto.com](http://www.nilfisk-alto.com)