

**30 C Special I**  
**30 CA Special**  
**30 CA Special I**  
**30 C Compact I**  
**30 CA Compact**  
**30 CA Compact I**

**ALTO<sup>®</sup>**  
Total Cleaning  
Confidence<sup>™</sup>



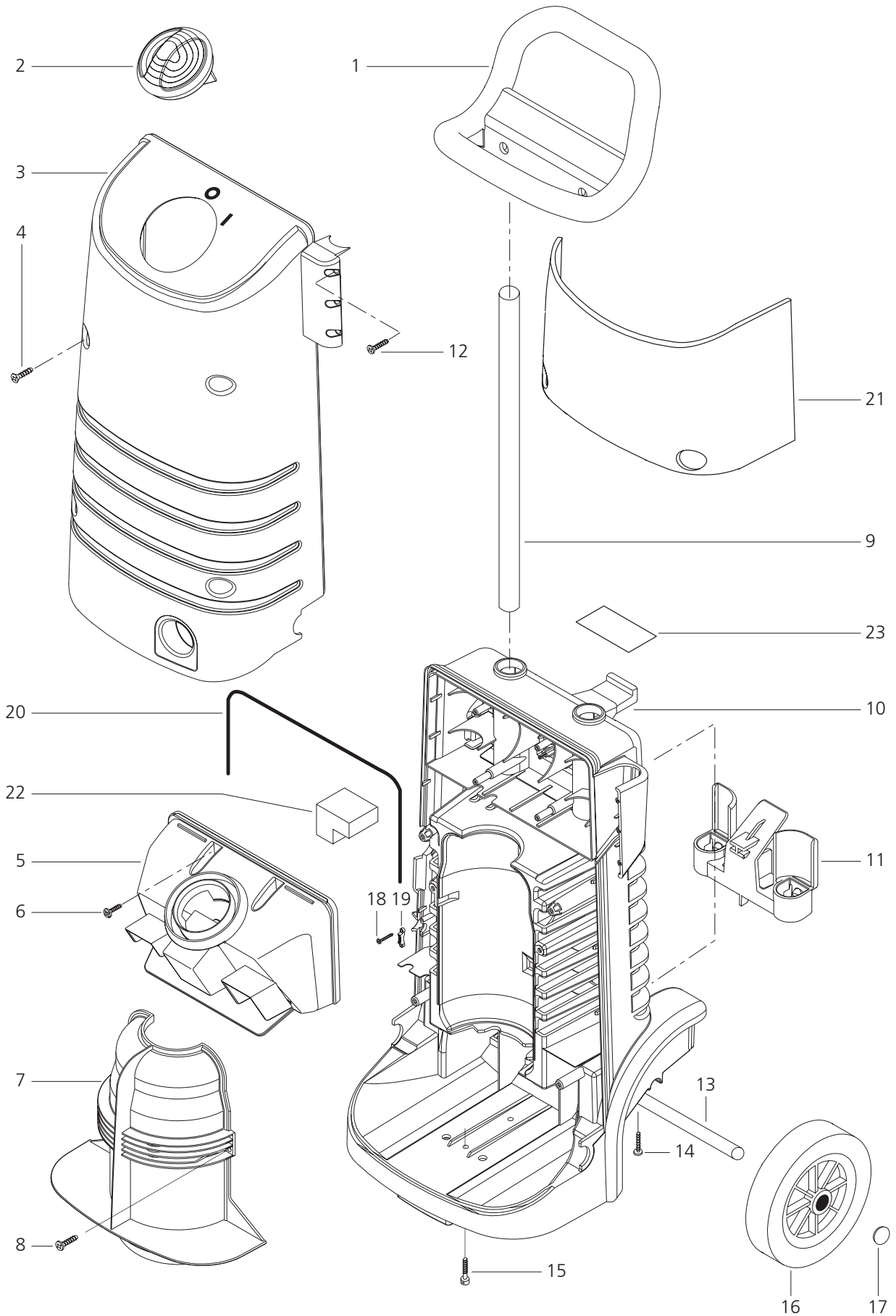
**Spare parts**  
**Ersatzteile**  
**Pièces détachées**

65572  
020203

Ersatzteile auf [www.gluesing.net](http://www.gluesing.net)

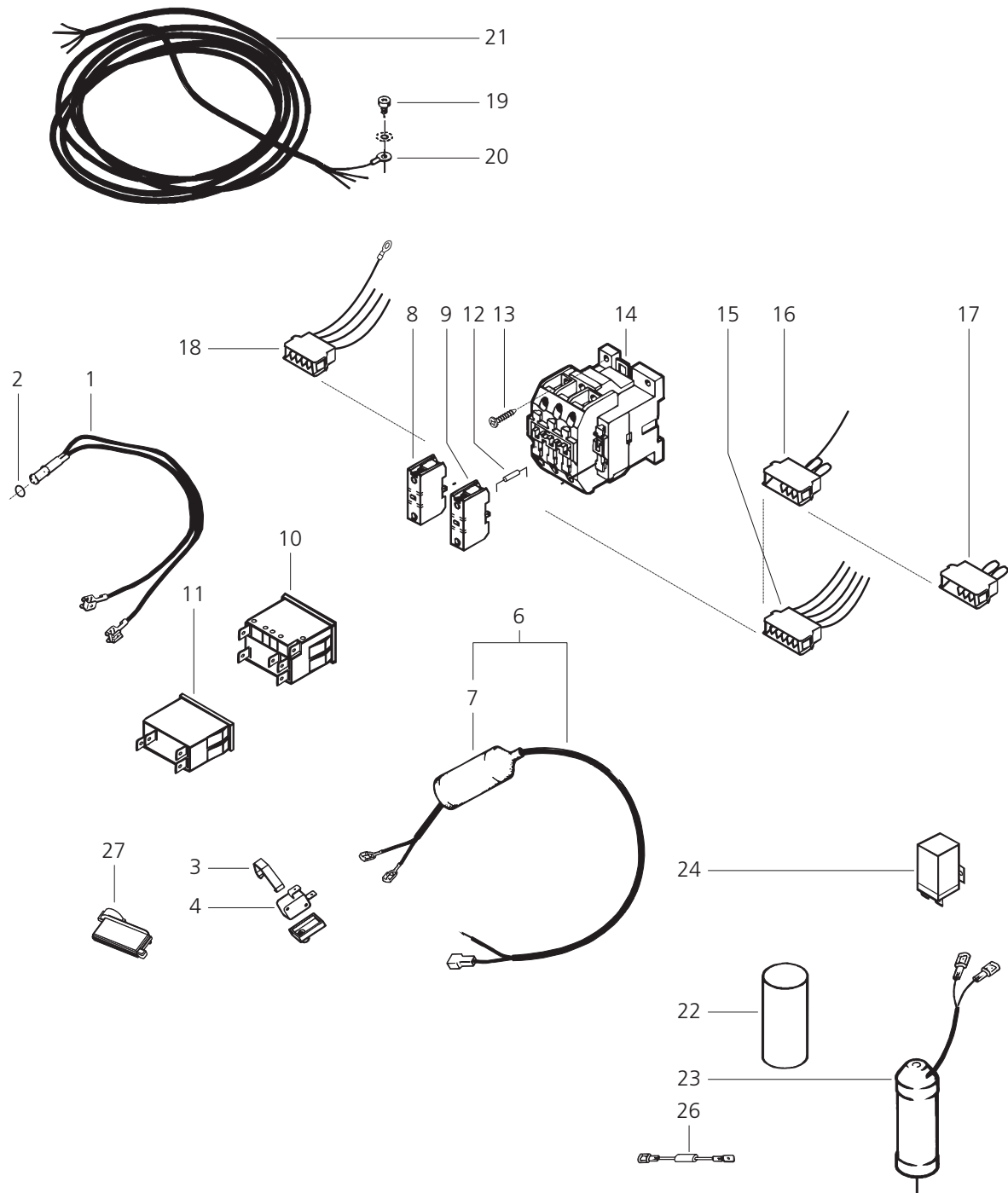
**WAP  
KEW  
TECHNOLOGIES**

30C Special I  
30CA Special  
30CASpecial I  
30C Compact I  
30CA Compact  
30CACompact I



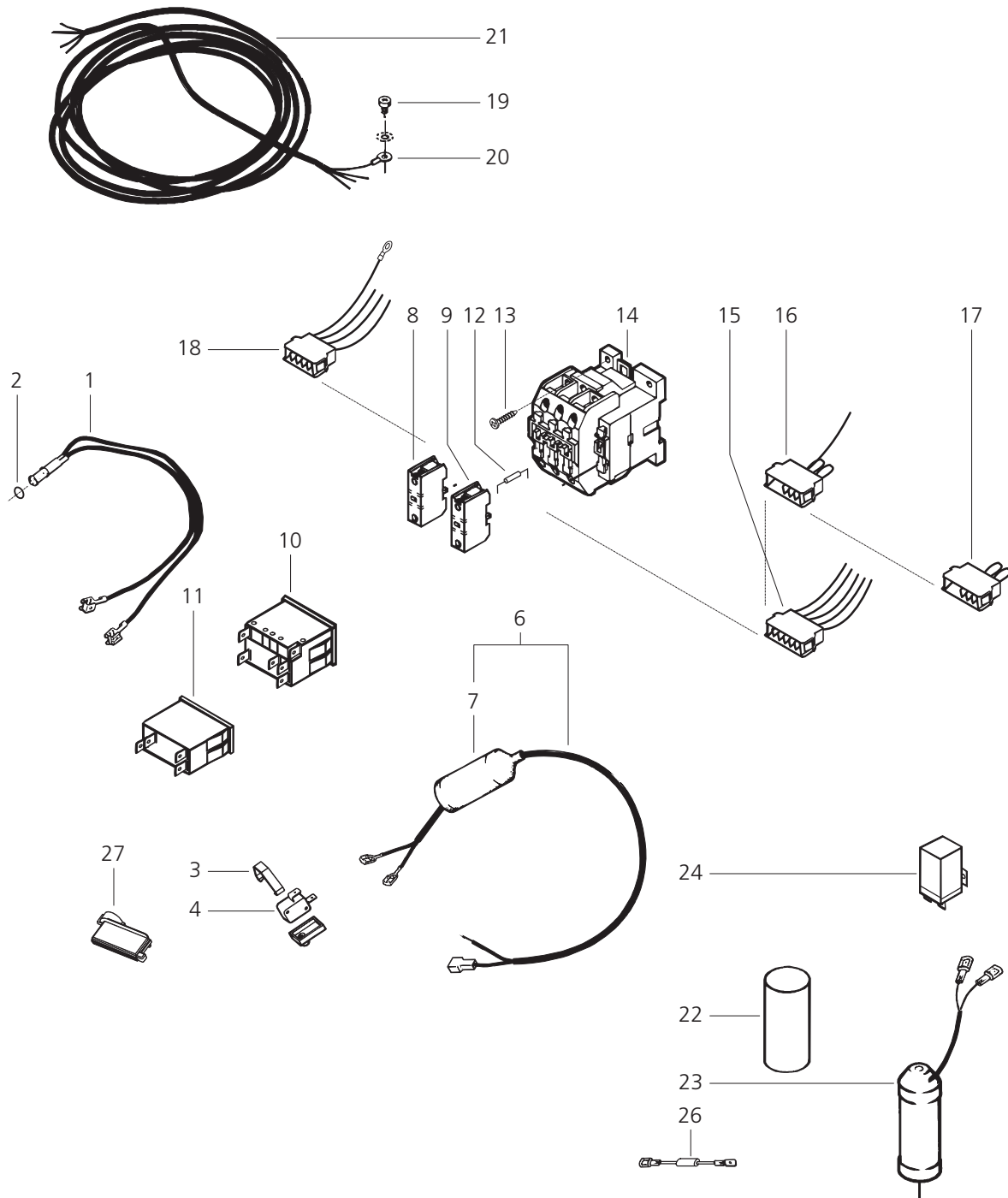
| POS. | NO.  | BEZEICHNUNG                     | DESCRIPTION                                  | DESIGNATION                 |
|------|--|---------------------------------|--|-----------------------------|
| 1    | 7180729  | Griff Schubbügel                | Pushing handle "30CA" blz POIGNEE            |                             |
| 2    | 7180726  | Drehknopf                       | Button                                       | BOUTON                      |
| 3    | 7180712  | Verkleidung                     |  |                             |
| 4    | 1814587  | Schraube EJOT- KB60x20 WN 1/2   | screw EJOT- KB60x20 WN VIS PAR 5             |                             |
| 5    | 7180720  | Schaltkasten m. Bedienfeld      | Control panel                                | COUVERCLE BOITIER ELECTR    |
| 6    | 1814508  | Schraube EJOT- K50x16 T25 WN    | screw EJOT- K50x16 T25 W VIS SPECIALE PAR 10 |                             |
| 7    | 7180723  | Motorabdeckkappe                |  | CARTER MOTEUR               |
| 8    | 1810381  | Schraube EJOT- KB60x20 WN 1/2   | screw EJOT- KB60x20 WN VIS 60X20 PAR 10      |                             |
| 9    | 7180735  | Rohr ø30x2 x510                 |  | TUBE POUR POIGNEE DE GU     |
| 10   | 7180705  | Gehäuse, Rückseite              | Housing, rear side                           | CAPOT ARRIERE 30CA          |
| 11   | 7180732  | Verschlusssteil                 |  | GARNITURE DE SERRURE        |
| 12   | 1813641  | Schraube EJOT- KB40X16 WN 1     | screw EJOT- KB40X16 WN VIS 40X16 PAR 10      |                             |
| 13   | 7180736  | Radachse Rohr ø16x1,5x350       |  | Axe de roue                 |
| 14   | 1814227  | Schraube EJOT- KA60X35 WN 1     | SCREW VIS PAR 10                             |                             |
| 15   | 5100   | Schraube ZYL- M6X 45 DIN 912 ZN |  |                             |
| 16   | 2013514  | Rad 200x45                      |  | Roue avec chapeau de roue r |
| 17   | 7180737  | Achsklemmkappe ø16              | Shaft clamping cap dia. 16                   | CACHE NOIR                  |
| 18   | 45045  | Schraube EJOT- KA30X20 WN 1     | screw EJOT- KA30X20 WN 1412 ZN               |                             |
| 19   | 3806262  | Zugentlastungsbügel 27,8x7/20,ε | Strain relief bracket 27.8x7/                | PIECE PRESSION              |
| ◇    | 20   | 5218634                         | Dichtschnur ø3,0 MeWa                        |                             |
| 21   | 7180480  | Dämmplatte 500/470x200x15       |  |                             |
| 22   | 7180481  | Dämmplatte 65x 50x 60           |  |                             |
| 23   | 48085  | Klebeschild HD-Strahl 60x90     | Label  |                             |
| ◇    | ACHTUNG! - Meterware - Bitte bei Bestellung gewünschte Länge angeben!          |                                 |  |                             |
| ◇    | ATTENTION! - Lengths in metres - Please indicate required lenth when ordering! |                                 |  |                             |
| ◇    | ATTENTION! - Longueurs par mètre - Préciser la longueur à la commande!         |                                 |  |                             |

30C Special  
30CA Special  
30CASpecial  
30C Compact  
30CA Compact  
30CACcompact



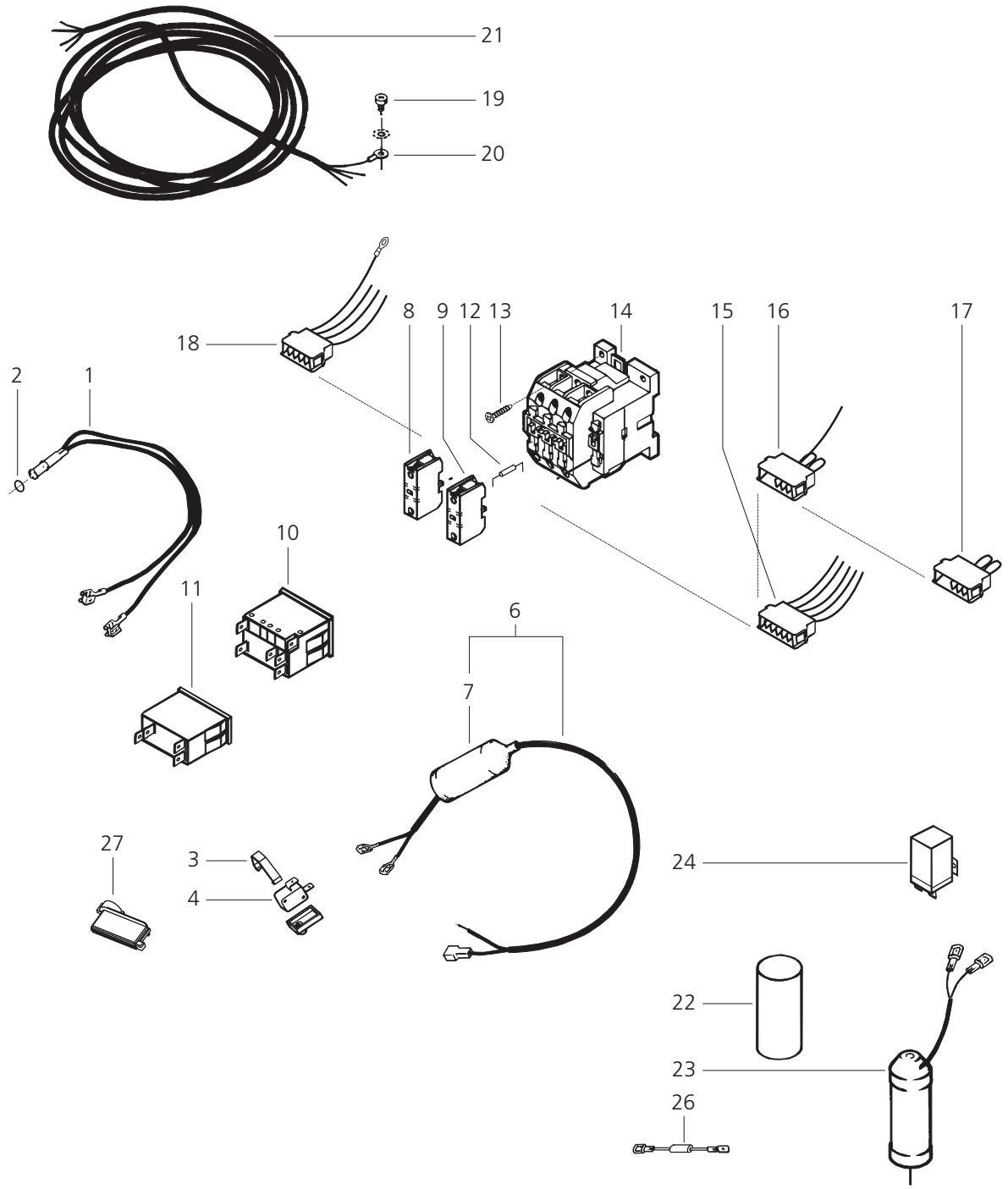
| POS. | NO.       | BEZEICHNUNG   | DESCRIPTION               | DESIGNATION                   |
|------|-----------|---|---------------------------|-------------------------------|
| 1    | 7180100   | Lampe mit Kabel<br>3 Ph.- 30CA Compact, 30CA Special  | Light indicator w. cable  | Lampe avec câble              |
|      | 7180101   | Lampe ø8 mit Kabel<br>220-240V, 30CA Compact I, 30CA Special I                                | Light indicator w. cable  | Lampe avec câble              |
|      | 7180102   | Lampe mit Kabel<br>100-115V, 30CA Compact I, 30CA Special I                                   | Light indicator w. cable  | Lampe avec câble              |
| 2    | 3004263   | O-Ring 5,0 X1,0 NBR70<br>30CA Compact, 30CA Special, 30CA Compact I, 30CA Special I           | O-Ring                    | Joint torique ø5x1 nitril 70s |
| 3    | 6522759   | Bügel f. Schalter<br>==>26.04.99 I 30CA Compact, 30CA Special, 30CA Compact I, 30CA Special I | Bracket for switch        | Garniture p. contacteur       |
| 4    | 3821711   | Microschalter<br>30CA Compact, 30CA Special, 30CA Compact I, 30CA Special I                   | Micro switch              | Contacteur                    |
| 6    | 3830060   | Zwischenkabel<br>30CA Compact, 30CA Special   | Interconnecting cable     | Câble de connexion            |
|      | 3830061   | Zwischenkabel<br>30CA Compact I, 30 CA Special I  | Interconnecting cable     | Câble de connexion            |
| 7    | 6523047   | Gummitülle<br>==>26.04.99I 30CA Compact, 30CA Special, 30CA Compact I, 30CA Special I         | Rubber bushing            | Douille p. câble              |
| 8    | 3809464   | Hilfsschalter, NO<br>3x400/230V,50Hz, 3x440/220V,60Hz, 30CA Compact, 30CA Special             | Auxiliary switch          | Bouton auxiliaire             |
| 9    | 3821496   | Hilfsschalter, CB-NC<br>3x400/230V,50Hz, 3x440/220V,60Hz, 30CA Compact, 30CA Special          | Auxiliary switch          | Bouton auxiliaire             |
| 10   | 301000073 | Schalter 3-pol. 6A/400V<br>30CA Compact, 30CA Special   | Switch                    | Interrupteur                  |
| 11   | 3821613   | Schalter 13A<br>220-240V, 30C/CA Compact I, 30CA/C Special I                                  | Switch                    | Interrupteur                  |
|      | 3821614   | Schalter, 15A<br>110-115V, 30CA Compact I, 30CA Special I                                     | Switch                    | Interrupteur                  |
| 12   | 3821511   | Widerstand 560R 2W<br>3x400/230V,50Hz, 3x440/220V,60Hz, 30CA Compact, 30CA Special            | Resistance                | Résistance                    |
| 13   | 46269     | Schraube LI- M4 X10 H7985 ZN<br>30CA Compact, 30CA Special, 30CA Compact I, 30CA Special I    | Lens head counters. screw | Vis tete plate M4x10 DIN 79   |
| 14   | 3821438   | Schütz CI15 16A 230-240V 50Hz<br>30CA Compact, 30CA Special, 30CA Compact I, 30CA Special I   | Contacteur                | Contacteur                    |
|      | 3821439   | Schütz CI15 16A 400V 50Hz<br>30CA Compact, 30CA Special                                       | Contacteur                | Contacteur                    |
|      | 3821568   | Schütz CI15 16A 220V 60Hz<br>30CA Compact, 30CA Special                                       | Contacteur                | Contacteur                    |
|      | 3821589   | Schütz CI15 16A 115V 60Hz<br>30CA Compact I, 30CA Special I                                   | Contacteur                | Contacteur                    |
|      | 3821610   | Schütz CI15 16A 110V 50Hz<br>30CA Compact I, 30CA Special I                                   | Contacteur                | Contacteur                    |
|      | 301000069 | Schütz 100-C16KP10 100V/50-60Hz 7,5kW<br>30CA Compact I, 30CA Special I                       | Contacteur                | Contacteur                    |

30C Special I  
30CA Special  
30CASpecial I  
30C Compact I  
30CA Compact  
30CACompact I



| POS. | NO.     | BEZEICHNUNG   | DESCRIPTION               | DESIGNATION                 |
|------|---------|---|---------------------------|-----------------------------|
| 15   | 7180115 | Stecker 5-polig S/T<br>3x400/230V,50Hz, 3x440/220V,60Hz, 30CA Compact, 30CA Special | Plug 5-polar, compl       | Fiche -à cinq pôles, compl. |
| 16   | 7180120 | Stecker Fünfpolig Y<br>3x400/230V,50Hz, 3x440/220V,60Hz, 30CA Compact, 30CA Special | Plug 5-polar, compl       | Fiche -à cinq pôles, compl. |
| 17   | 7180105 | Stecker Fünfpolig 3Ph<br>400V, 30CA Compact, 30CA Special                           | Plug 5-polar, compl       | Fiche -à cinq pôles, compl. |
|      | 7181415 | Stecker Fünfpolig 3Ph<br>30C Compact I, 30C Special I                               | Plug 5-polar, compl       | Fiche -à cinq pôles, compl. |
|      | 7181418 | Stecker Fünfpolig 3Ph<br>30CA Compact I, 30CA Special I                             | Plug 5-polar, compl       | Fiche -à cinq pôles, compl. |
| 18   | 7180110 | Stecker, Vierpolig<br>3x440/230V,50Hz, 3x440/220V,60Hz, 30CA Compact, 30CA Special  | Plug 4-polar, compl.      | Fiche -à quatre pôles,compl |
| 19   | 46269   | Schraube LI- M4 X10 H7985 ZN  | Lens head counters. screw | Vis tete plate M4x10 DIN 75 |
| 20   | 1800655 | Zahnscheibe -J- 4,3 DIN6797   | FSt-ni                    |                             |
| 21   | 3821649 | Netzleitung<br>30CA Compact I, 30CA Special I, 115 V                                | Power cable               | Cordon                      |
|      | 7180225 | Netzleitung<br>30CA/C Compact I, 30CA/C Special I *GB,240V*                         | Power cable               | Cordon                      |
|      | 7180226 | Netzleitung<br>30CA Compact I, 30CA Special I *EU*                                  | Power cable               | Cordon                      |
|      | 7180227 | Netzleitung<br>30CA Compact I, 3CA Special I *CH*                                   | Power cable               | Cordon                      |
|      | 7180228 | Netzleitung<br>30CA Compact I, 30CA Special I *DK*                                  | Power cable               | Cordon                      |
|      | 7180229 | Netzleitung<br>30CA Compact I, 30CA Special I *JP*                                  | Power cable               | Cordon                      |
|      | 7180230 | Netzleitung<br>30CA Compact I, 30CA Special I *AU*                                  | Power cable               | Cordon                      |
|      | 7180231 | Netzleitung<br>30CA Compact I,30CA Special I*CA*CN*KR*                              | Power cable               | Cordon                      |
|      | 7180232 | Netzleitung<br>30CA Compact I, 30CA Special I *GB,110V*                             | Power cable               | Cordon                      |
|      | 7180233 | Netzleitung<br>30CA Compact I, 30CA Special I *US*                                  | Power cable               | Cordon                      |
|      | 7180920 | Netzleitung<br>30CA Compact, 30CA Special   | Power cable               | Cordon                      |

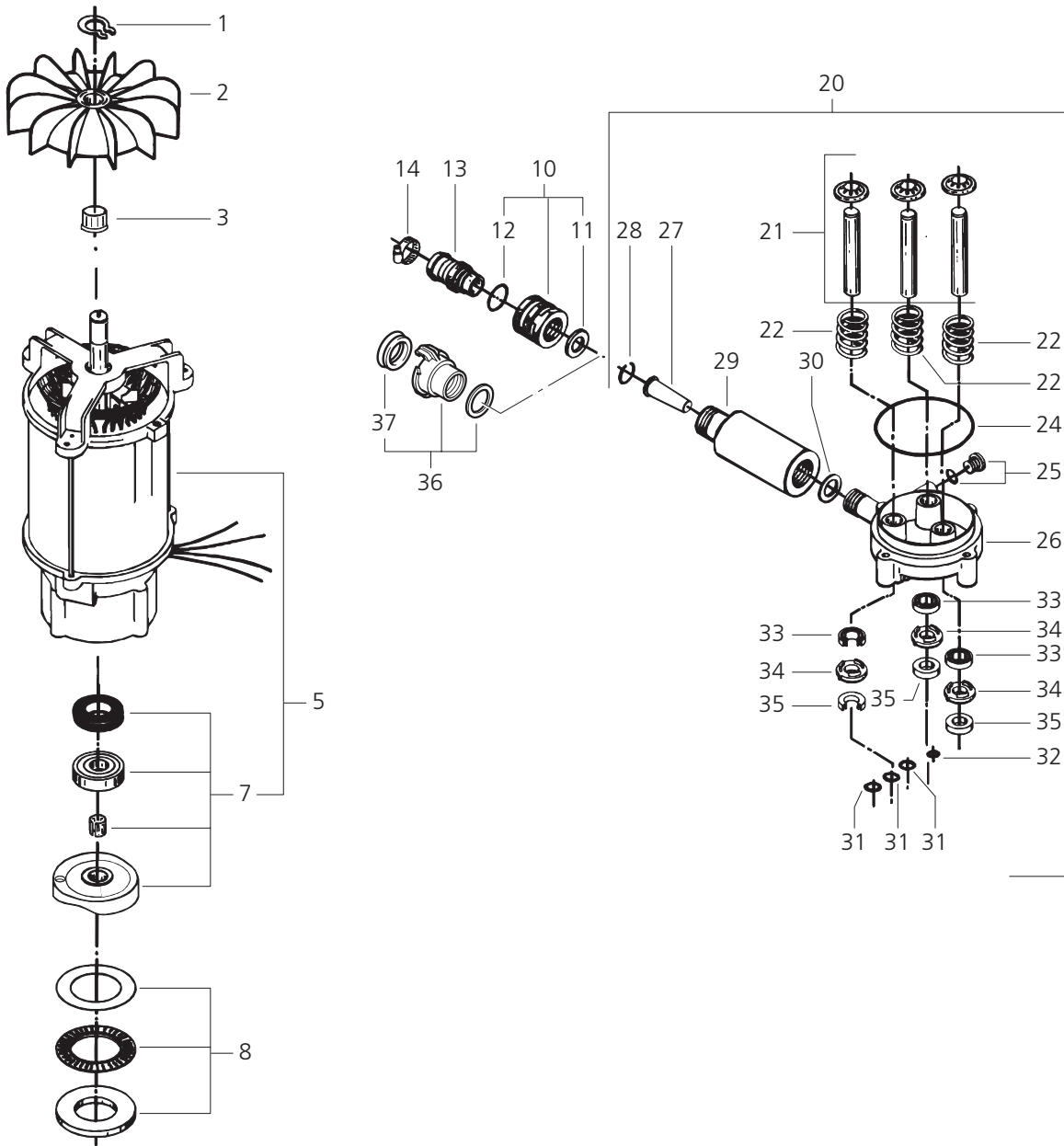
30C Special I  
30CA Special  
30CASpecial I  
30C Compact I  
30CA Compact  
30CACompact I



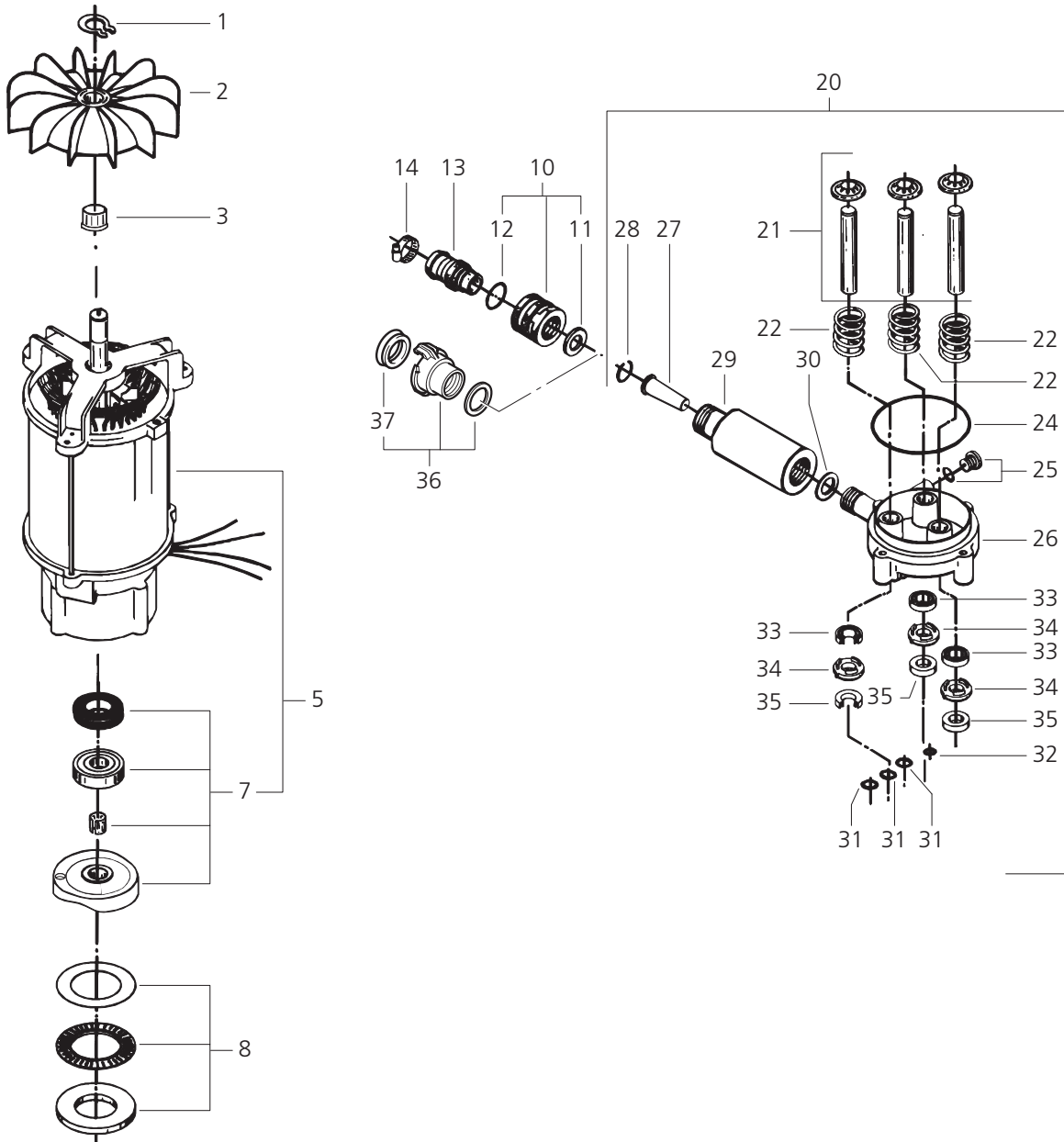


| POS. | NO.       | BEZEICHNUNG   | DESCRIPTION                  | DESIGNATION                |
|------|-----------|---|------------------------------|----------------------------|
| 22   | 3821343   | Kondensator(Betrieb) 50mF<br>220-240V, 30CA/C Compact I, 30CA/C Special I   | Capacitor (operation)        | Condensateur (fonction.)   |
|      | 3821626   | Kondensator (Betrieb) 100æF<br>115V,110V, 30CA Compact I,30CA Special I   | Capacitor (operation)        | Condensateur (fonction.)   |
|      | 301000408 | Kondensator(Betrieb) 120mF/250'<br>30CA Compact I, 100V 50/60 Hz *JP*   | Capacitor (operation)        | Condensateur (fonction.)   |
| 23   | 3821063   | Kondensator<br>220-240V,50Hz, ==>12.2001I, 30CA/C Compact I, 30CA/C Special I   | Capacitor (start-up)         | Condensateur (marche)      |
|      | 3821139   | Kondensator Anl.- 200-250µF<br>110V,60Hz,30CA Compact I, 30CA Special I, I05.2001==> 04.2002I   | Capacitor (start-up)         | Condensateur (marche)      |
|      | 3821695   | Anlaufkondensator 500µF 250V<br>30CA Compact I, 30CA Special I, 100V ==>05.2001I; 115V 60 Hz*US*  | Capacitor (start-up)         | Condensateur (marche)      |
|      | 3821696   | Kondensator (Start) 320æF<br>60Hz, 30CA Compact I,30CA Special I<br>100V,50Hz,30CA Compact I,30CA Special I, I05.2001==><br>100V,60Hz,30CA Compact I, I14.2002==> | Capacitor (start-up)         | Condensateur (marche)      |
| 24   | 3821581   | Anlaufrelais 110V, 115V grün<br>30CA Compact I, 30CA Special I, 100-115V  | Starter relay 110V, 15V grec | Relais de démarrage 115V 5 |
|      | 3821582   | Anlaufrelais 220-240V 50/60Hz b<br>220-240V, 30CA/C Compact I, 30CA/C Special I, 50Hz ==>50.2001I   | Starter relay 220-240V 50/6  | Relais de démarrage, bleu  |
| 26   | 7180291   | Entstörkondensator 0,68µF kpl. r<br>115V, 230V*US*,<br>30 CA Compact, 30CA Special, 30CA Compact I, 30CA Special I  | Capacitor                    | Condensateur               |
|      | 301000494 | Kondensator 1µF m.Kabel FSH6,3/<br>*GB,110V* 30CA/C Compact I, 30CA/C Special I   | Capacitor                    | Condensateur               |
|      | 301000174 | Kondensator 0,68µF m.Kabel<br>30 CA Compact, 30CA Special, 30CA Compact I, 30CA Special I<br>==>12.2001I, 50Hz, *US*KR*   | Capacitor                    | Condensateur               |
| 27   | 7181448   | Gehäuse f. Microschalter<br>30CA Compact, 30CA Special, 30CA/C Compact I, 30CA/C Special I  | Housing for microswitch      | Boîte pour micro-switch    |

30C Special I  
 30CA Special  
 30CAspecial I  
 30C Compact I  
 30CA Compact I  
 30CACompact I

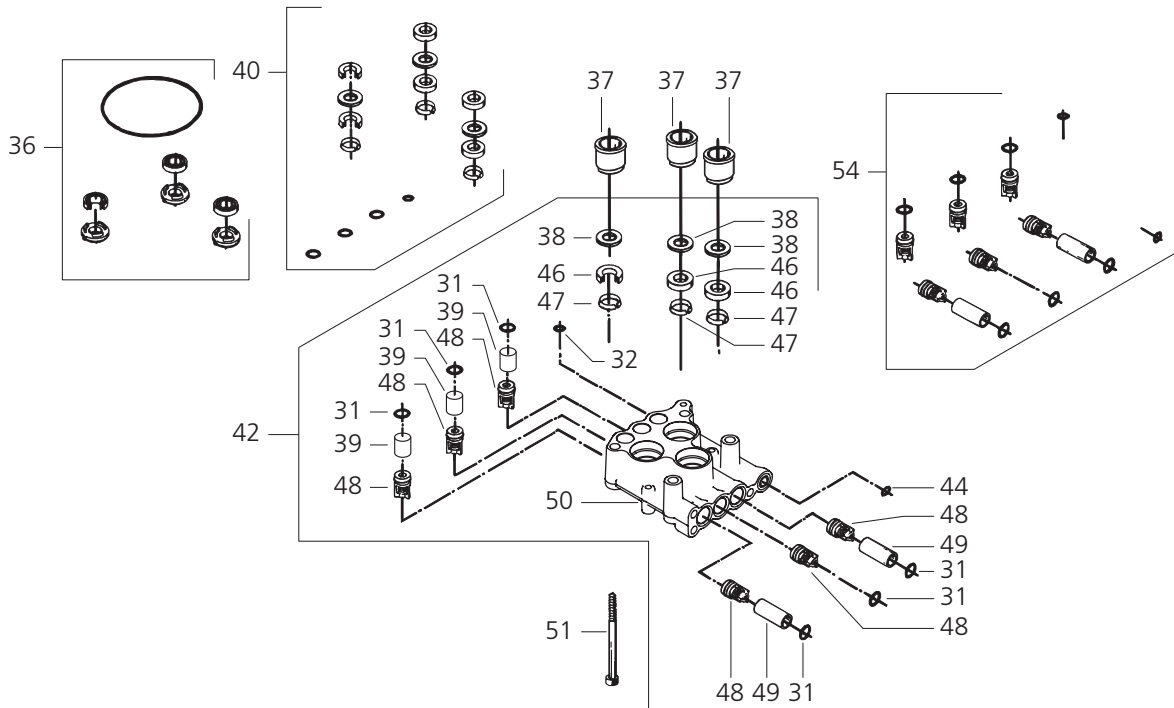


| POS. | NO.     | BEZEICHNUNG  | DESCRIPTION               | DESIGNATION                 |
|------|---------|--|---------------------------|-----------------------------|
| 1    | 1814583 | Schliessring   | CIRCLIP                   | CIRCLIPS                    |
| 2    | 6122476 | Ventilator   |                           | VENTILATEUR                 |
| 3    | 7180460 | Buchse   | Sleeve                    | BAGUES PAR 5                |
| 5    | 7180911 | Motor m, Taumelscheibe, 415V<br>415V,50Hz, 30CA Compact, 30CA Special  | Motor w. wobbledisc       | Moteur avec disque obl.     |
|      | 7180968 | Motor 115V/1/50Hz 15A m. Ta<br>110V,50Hz-15A, 30CA Compact I, 30CA Special I   | Motor w. wobbledisc       | Moteur avec disque obl.     |
|      | 7180969 | Motor 100V/1/50Hz 15A m. Ta<br>100V,50Hz -15A, 115V,60Hz-15A, 30CA Compact I, 30CA Special I                           | Motor w. wobbledisc       | Moteur avec disque obl.     |
|      | 7180970 | Motor 100V/1/50Hz 15A m. Ta<br>100V,60Hz-15A, 30CA Compact I, 30CA Special I   | Motor w. wobbledisc       | Moteur avec disque obl.     |
|      | 7180971 | Motor m. Taumelscheibe<br>220V,60Hz-12A, 30CA Compact I, 30CA Special I  | Motor w. wobbledisc       | Moteur avec disque obl.     |
|      | 7180973 | Motor 1x230V 50Hz 12A m.Taun<br>230V-12A - 30CA/C Compact I,30CA/C Special I   | Motor w. wobbledisc       | Moteur avec disque obl.     |
|      | 7180974 | Motor m.Taumelsch. 10A 230V 5A<br>230V,50Hz-10A, 30CA Compact I, 30CA Special I  | Motor w. wobbledisc       | Moteur avec disque obl.     |
|      | 7181927 | Motor 400/230V/3/50Hz mit Taur<br>400V,400/230V,50Hz, 30CA Compact, 30CA Special                                       | Motor w. wobbledisc       | Moteur avec disque obl.     |
|      | 7181928 | Motor m. Taumelscheibe<br>440/220V,60Hz, 30CA Compact, 30CA Special  | Motor w. wobbledisc       | Moteur avec disque obl.     |
| 7    | 1119703 | Rep.Satz Taumelscheibe<br>50Hz, 30CA Compact, 30CA Special   | Rep.kit, wobble disc      | Kit de rép., disque oblique |
|      | 1119704 | Rep.Satz Taumelscheibe<br>60Hz-3ph. (1x230-240V,12A)<br>30CA Compact, 30CA Special, 30CA/C Compact I, 30CA/C Special I | Rep.kit, wobble disc      | Kit de rép., disque oblique |
|      | 1119833 | Rep.Satz Taumelscheibe<br>230V,60Hz,12A *US*KR*CH*, 30CA Compact I, 30CA Special I                                     | Rep.kit, wobble disc      | Kit de rép., disque oblique |
|      | 1119834 | Rep.Satz Taumelscheibe<br>230V,50Hz,10A *DK*CH*, 30CA Compact I, 30CA Special I  | Rep.kit, wobble disc      | Kit de rép., disque oblique |
|      | 1119836 | Rep.Satz Taumelscheibe<br>115V,60Hz, 100V,50Hz *US*JP*, 30CA Compact I, 30CA Special I                                 | Rep.kit, wobble disc      | Kit de rép., disque oblique |
|      | 1119837 | Rep.Satz Taumelscheibe<br>100V, 60Hz *JP*, 30CA Compact I, 30CA Special I  | Rep.kit, wobble disc      | Kit de rép., disque oblique |
| 8    | 1119705 | Rep.satz Lager   | repair kit                | Kit de rép., palier         |
| 10   | 1602945 | Schnellkupplung kpl. 3/4" Wasse  | quick coupling            | Coupleur rapide, compl.     |
| 11   | 3001237 | Dichtring ø24,5x ø16,0x 3,0  | Packing ring ø24,5x ø16,0 | Joint                       |
| 12   | 3000320 | O-Ring 20,0 X 3,0 SMS 1586   | O-Ring 20,0 X 3,0 SMS 15  | Joint torique               |
| 13   | 1600659 | Nippel für Schnellkupplung<br>3/4"   | Nipple f. quick coupling  | Entree du coupleur rapide   |
|      | 1604669 | Nippel für Schnellkupplung<br>1/2"   | Nipple f. quick coupling  | Entree du coupleur rapide   |
|      | 1605955 | Nippel für Schnellkupplung<br>US   | Nipple f. quick coupling  | Entree du coupleur rapide   |

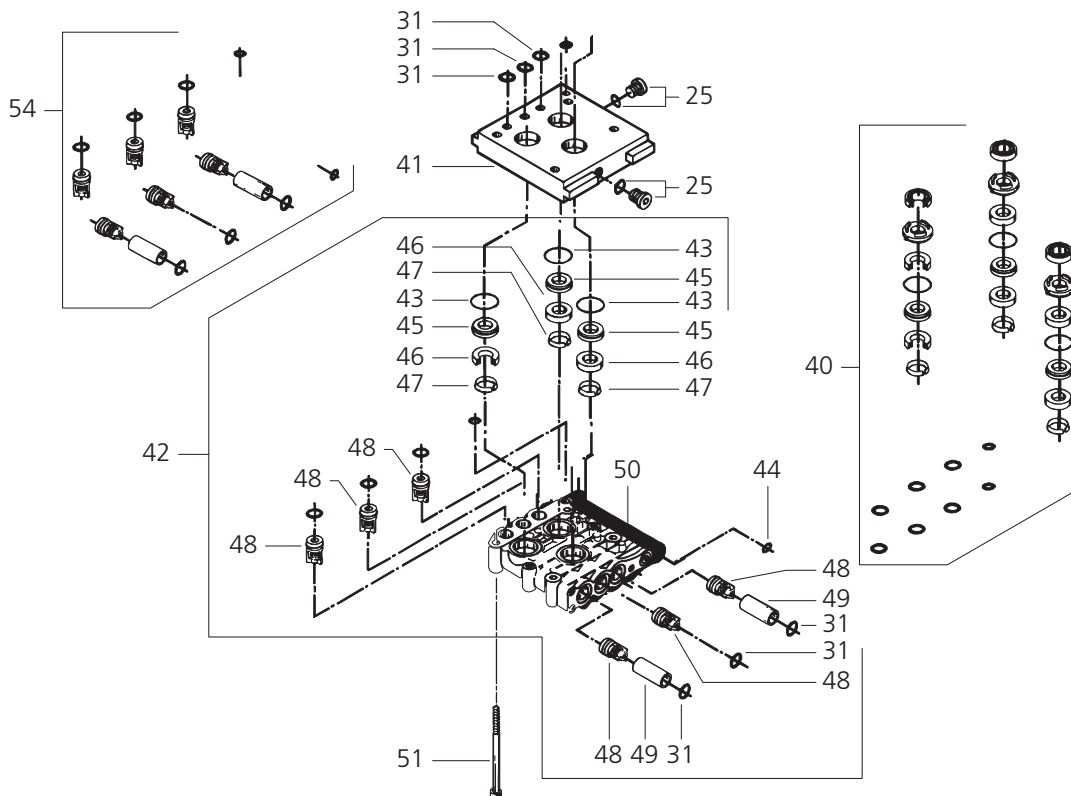


| POS. | NO.     | BEZEICHNUNG                         | DESCRIPTION             | DESIGNATION                   |
|------|---------|-------------------------------------|-------------------------|-------------------------------|
| 14   | 8298    | Schlauchschele SGL 16-27            | Hose clip 16-27/9       | Collier                       |
| 20   | 7180903 | Zylinderblock,kompl.<br>==>47.1999I | Cylinder block, compl.  | Bloc-cylindre, compl.         |
|      | 7180904 | Zylinderblock kompl.<br>I48.1999==> | Cylinder block, compl.  | Bloc-cylindre, compl.         |
| 21   | 1119706 | Kolben Rep.-Satz<br>==>47.1999I     | Rep.kit, piston         | Kit de rép., piston           |
|      | 1119791 | Kolben Rep.-Satz<br>I48.1999==>     | Rep.kit, piston         | Kit de rép., piston           |
| 22   | 2601417 | Feder<br>==>47.1999I                | Spring                  | Ressort                       |
|      | 2602490 | Feder<br>I48.1999==>                | Spring                  | Ressort                       |
| 24   | 3003654 | O-Ring 80,0 x 2,0 DIN 3770          | O-Ring 80,0 x 2,0       | DIN 37 JOINTS TORIQUE PAR 5   |
| 25   | 6122313 | Pfropfen mit O-Ring                 | Plug with O-ring        | BOUCHONS+JOINT PAR 5          |
| 26   | 7181005 | Zylinderblock                       | Cylinder block          | BLOC CYLINDRE                 |
| 27   | 6125144 | Filter                              | Filter                  | FILTRE                        |
| 28   | 1807833 | Klemmring f. Filter                 | Spring ring             | ANNEAUX FILTRE PAR 10         |
| 29   | 7180462 | Wassorzulauf                        | union nut               | ECROU                         |
| 30   | 3001690 | O-Ring 19,3 x 2,4 SMS 1586          | O-Ring 19,3 x 2,4       | SMS 15 JOINT 19,3X2,4 PAR 10  |
| 31   | 3004222 | O-Ring 15,1 x 1,6 SMS 1586          | O-Ring 15,1 x 1,6       | SMS 15 JOINTS 15,1X1,6 PAR 10 |
| 32   | 3001823 | O-Ring 6,1 X 1,6 SMS 1586           | O-Ring 6,1 X 1,6        | SMS 15 JOINTS 6,1X1,6 PAR 10  |
| 33   | 3003696 | Ölmanschette ø14,0/ø22,0x 5/7       | OIL SLEEVE              | RONDELLES D'HUILE PAR 3       |
| 34   | 6122486 | Druckring<br>==>47.1999I            | Pressure ring           | Anneau de blocage             |
|      | 7181006 | Druckring<br>I48.1999==>            | Pressure ring           | Anneau de blocage             |
| 35   | 3004259 | Manschette #14x22x6                 | COLLAR                  | JOINTS 14X22X6 PAR 5          |
| 36   | 1718    | GEKA-Gewindestück 3/4" I MS         | GEKA threaded fitting   | 3/4 Coupleur Geka 3/4"        |
| 37   | 6502    | Dichtung Form f.GEKA-Kupplung       | Moulded gasket for GEKA | c JOINT POUR COUPLEUR GEKA    |

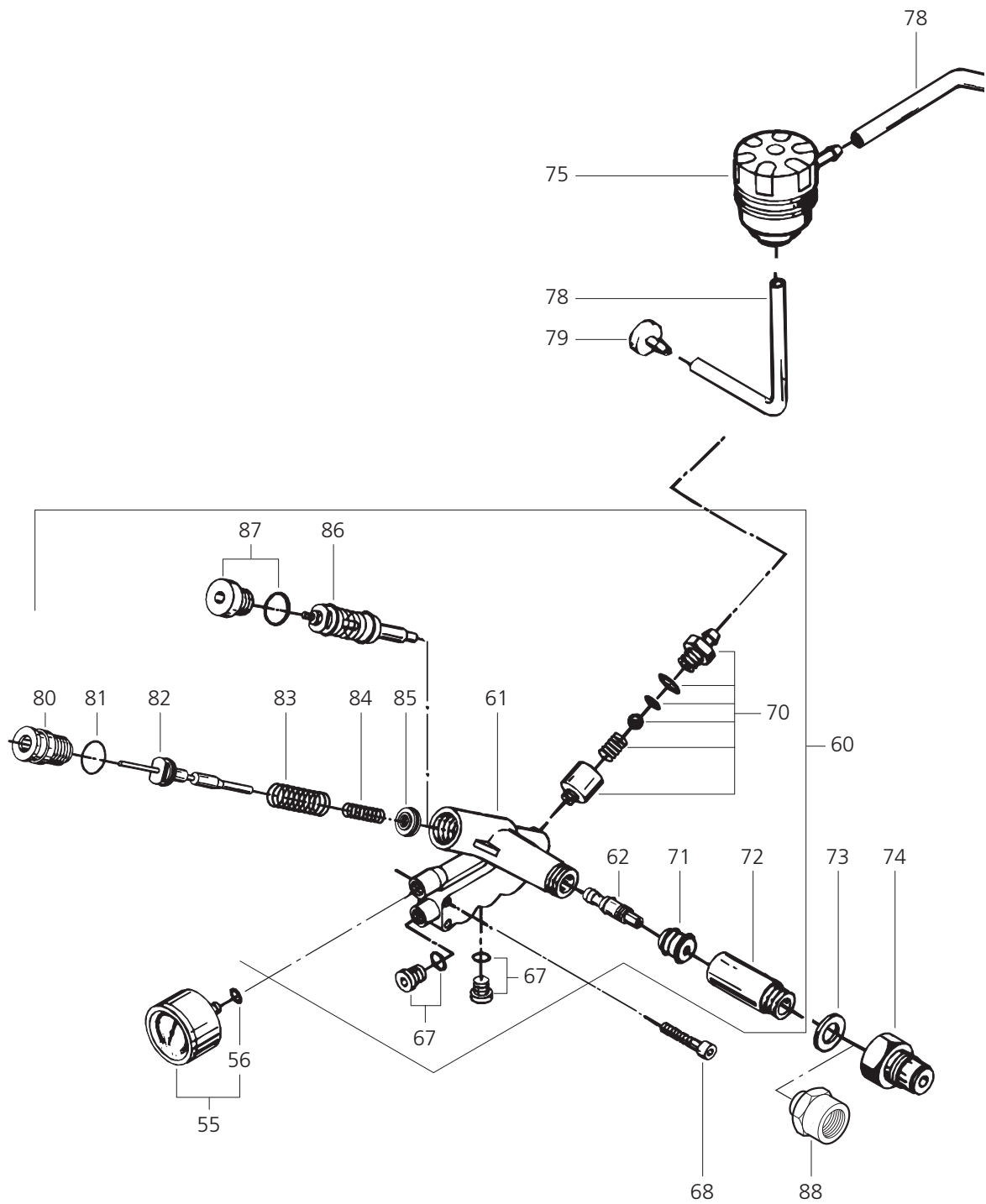
99.48 ⇒



⇒ 99.47

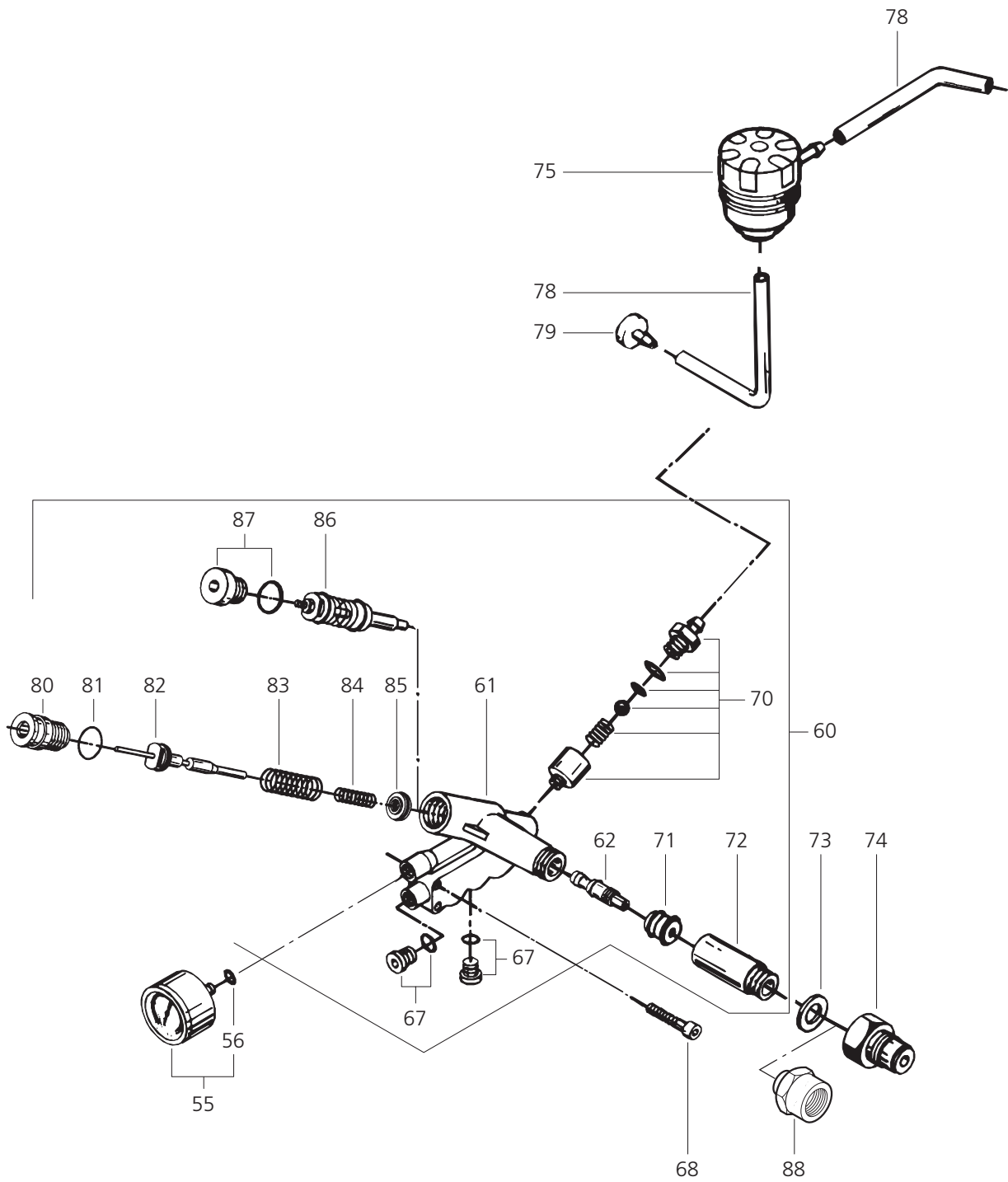


| POS. | NO.     | BEZEICHNUNG                                  | DESCRIPTION                 | DESIGNATION                  |
|------|---------|--|-----------------------------|------------------------------|
| 25   | 6122313 | Pfropfen mit O-Ring<br>==>47.1999I           | Plug with O-ring            | BOUCHONS+JOINT PAR 5         |
| 31   | 3004222 | O-Ring 15,1 x 1,6 SMS 1586                   | O-Ring 15,1 x 1,6 SMS 15    | JOINTS 15,1X1,6 PAR 10       |
| 32   | 3001823 | O-Ring 6,1 X 1,6 SMS 1586                    | O-Ring 6,1 X 1,6 SMS 15     | JOINTS 6,1X1,6 PAR 10        |
| 36   | 1119800 | Rep.Satz Öldichtung<br>I48.1999==>           | repair kit, oil seal        | Kit, joint a l'huile         |
| 37   | 7181020 | Druckring<br>I48.1999==>                     | Pressure ring               | Anneau de blocage            |
| 38   | 3004277 | Stützring ø14,0/22,0x 1,9<br>I48.1999==>     | Supporting ring ø14,0/22,(  | Anneau                       |
| 39   | 7181029 | Buchse<br>I48.1999==>                        | Sleeve                      | Baque                        |
| 40   | 1119713 | Rep.satz Dichtungssystem<br>==>47.1999I      | Rep. kit, sealing system    | Kit de rép. joints d'eau     |
|      | 1119801 | Rep.satz Dichtungssystem<br>I48.1999==>      | Rep. kit, sealing system    | Kit de rép. joints d'eau     |
| 41   | 7180457 | Zwischenteil<br>==>47.1999I                  | Intermediate section        | PLAQUE INTERMEDIAIRE         |
| 42   | 7180905 | Zylinderkopf kompl.<br>==>47.1999I           | Cylinder head assembly      | Culasse, compl.              |
|      | 7181910 | Zylinderkopf kompl,<br>I48.1999==>           | Cylinder head assembly      | Culasse, compl.              |
| 43   | 3004230 | O-Ring 22,22X 2,62 ARP AS 568<br>==>47.1999I | O-Ring 22,22X 2,62 ARP /    | Joint torique                |
| 44   | 42768   | O-Ring 11,2X1,8 DIN 3771 NBR                 | O-Ring 11,2X1,8 DIN 377     | Joint torique                |
| 45   | 6124141 | Zentrierring<br>==>47.1999I                  |                             | Ceinture                     |
| 46   | 3004227 | Manschette U- ø14,0/ø22,0x 5,5               | COLLAR                      | Joint U                      |
| 47   | 3004228 | Stützring                                    | Supporting ring             | Anneau WS                    |
| 48   | 7180906 | Ventil kompl.                                | Valve, compl.               | Clapet, compl.               |
| 49   | 6122475 | Zwischenstueck                               | Spacer                      | PIECE D'ESPACE               |
| 50   | 7180475 | Zylinderkopf<br>==>47.1999I                  | Cylinder head               | Culasse                      |
|      | 7181028 | Zylinderkopf<br>I48.1999==>                  | Cylinder head               | Culasse                      |
| 51   | 2787    | Zyl. Schraube M 8x 90                        | Cap screw M 8x 90           | VIS 8x90                     |
| 54   | 1119707 | Reparatursatz für Ventilsystem               | Repair kit for Ventilsystem | Kit de rép., système de soup |

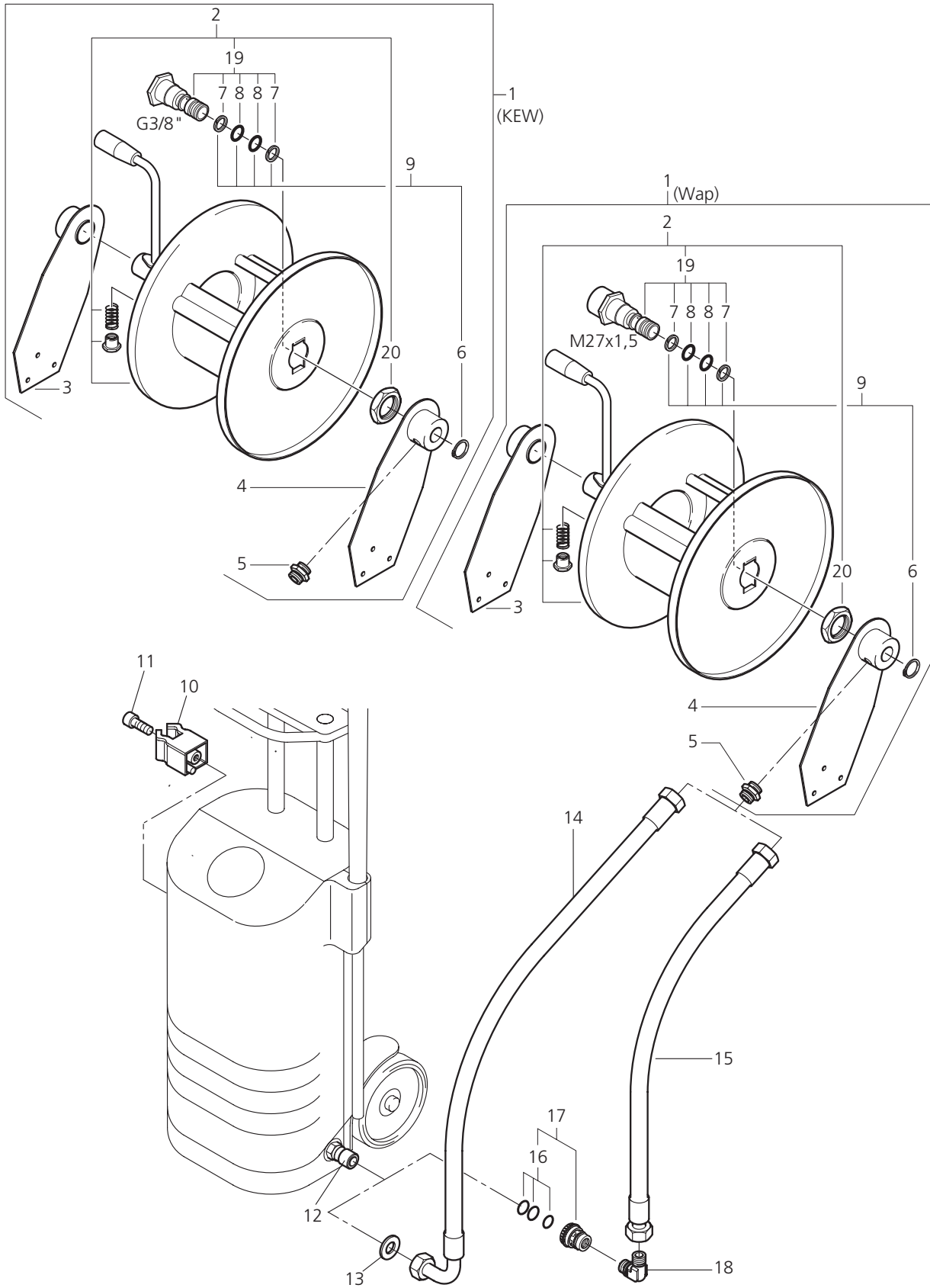




| POS. | NO.  | BEZEICHNUNG   | DESCRIPTION                | DESIGNATION                |
|------|--|---|----------------------------|----------------------------|
| 55   | 7180931  | Manometer m. O-Ring   | PRESSURE GAUGE             | MANOMETRE 30CA/50C13       |
| 56   | 3003662  | O-Ring 6,0 X 2,0 DIN 3770 NBR O-Ring 6,0 X 2,0 DIN 377                                  | JOINT TORIQUE PAR 10       |                            |
| 60   | 7180940  | Umlaufventil,kpl.<br>3ph. ==>47.1999I, 30CA Compact, 30CA Special                       | By-pass valve, compl.      | Soupape by-pass, compl.    |
|      | 7180941  | Umlaufventil,kpl. grün<br>1ph. ==>47.1999I, 30CA Compact I, 30CA Special I              | By-pass valve, compl.      | Soupape by-pass, compl.    |
|      | 7180942  | Umlaufventil,kpl. blau<br>1ph. 10A *DK*CH* ==>47.1999I, 30CA Compact I, 30CA Special I  | By-pass valve, compl.      | Soupape by-pass, compl.    |
|      | 7180943  | Umlaufventil kpl.<br>1ph. ==>47.1999I, 30C Compact I, 30C Special I                     | By-pass valve, compl.      | Soupape by-pass, compl.    |
|      | 7180944  | Umlaufventil,kpl.<br>3ph. I48.1999==>, 30CA Compact, 30CA Special                       | By-pass valve, compl.      | Soupape by-pass, compl.    |
|      | 7180945  | Umlaufventil kpl, blau<br>1ph. I48.1999==>, 30CA Compact I, 30CA Special I              | By-pass valve, compl.      | Soupape by-pass, compl.    |
|      | 7180946  | Umlaufventil kpl. grau<br>1 ph. 10A *DK*CH* I48.1999==>, 30CA Compact I, 30CA Special I | By-pass valve, compl.      | Soupape by-pass, compl.    |
|      | 7180947  | Umlaufventil kpl. blau<br>1 ph. I48.1999==>, 30C Compact I, 30C Special I               | By-pass valve, compl.      | Soupape by-pass, compl.    |
| 61   | 6124237  | Ventilgehäuse<br>==>47.1999I  | Valve housing              | Boîte de soupape           |
|      | 7180657  | Ventilgehäuse<br>I48.1999==>  | Valve housing              | Boîte de soupape           |
| 62   | 6124310  | Steuerdüse<br>grün - 30CA Compact I, 30CA Special I                                     | Steering nozzle, compl.    | Buse de guidage, compl.    |
|      | 6124311  | Steuerdüse<br>blau -*DK*CH*, 30CA/C Compact I, 30CA/C Special I                         | Steering nozzle, compl.    | Buse de guidage, compl.    |
|      | 7180932  | Steuerdüse<br>grau - 30CA Compact, 30CA Special   | Steering nozzle, compl.    | Buse de guidage, compl.    |
| 67   | 6123655  | Satz, Pfropfen m. O-Ring  | Plug with O-ring           | Manchon avec joint torique |
| 68   | 6863   | Schraube M8 X 35 8.8 DIN 912 screw<br>I48.1999==>                                       | M8 X 35 8.8 DIN 9 Vis      |                            |
|      | 1814573  | Schraube M6 x 35 12.9 DIN 912 screw<br>==>47.1999I                                      | M6 x 35 12.9 DIN 9 Vis     |                            |
| 70   | 6124314  | Schlauchstutzen,kompl.  | Hose tail, compl.          | Raccord de tuyau, compl.   |
| 71   | 6124316  | Nippel mit O-Ring   | Nipple w. O-ring           | Adapteur a. joint torique  |
| 72   | 7180461  | Gewindestück  | Threaded piece             | Pièce avec filetage        |
| 73   | 1801075  | Dichtring ø23,8 x ø17,2 x2 3/8"   | Packing ring ø23,8 x ø17,2 | Rondelle d'étanchèité      |
| 74   | 1600493  | Nippel 3/8" für Schnellkupplung<br>KEW  | Nipple                     | Entre du coupleur rapide   |
| 75   | 7180907  | Dosierungseinheit   | Metering unit              | Soupape de dosage          |
| ◇    | 78   | 5206636 Schlauch  | Hose                       | Flexible                   |
| ◇    | ACHTUNG! - Meterware - Bitte bei Bestellung gewünschte Länge angeben!          |   |                            |                            |
| ◇    | ATTENTION! - Lengths in metres - Please indicate required lenth when ordering! |   |                            |                            |
| ◇    | ATTENTION! - Longueurs par mètre - Préciser la longueur à la commande!         |   |                            |                            |

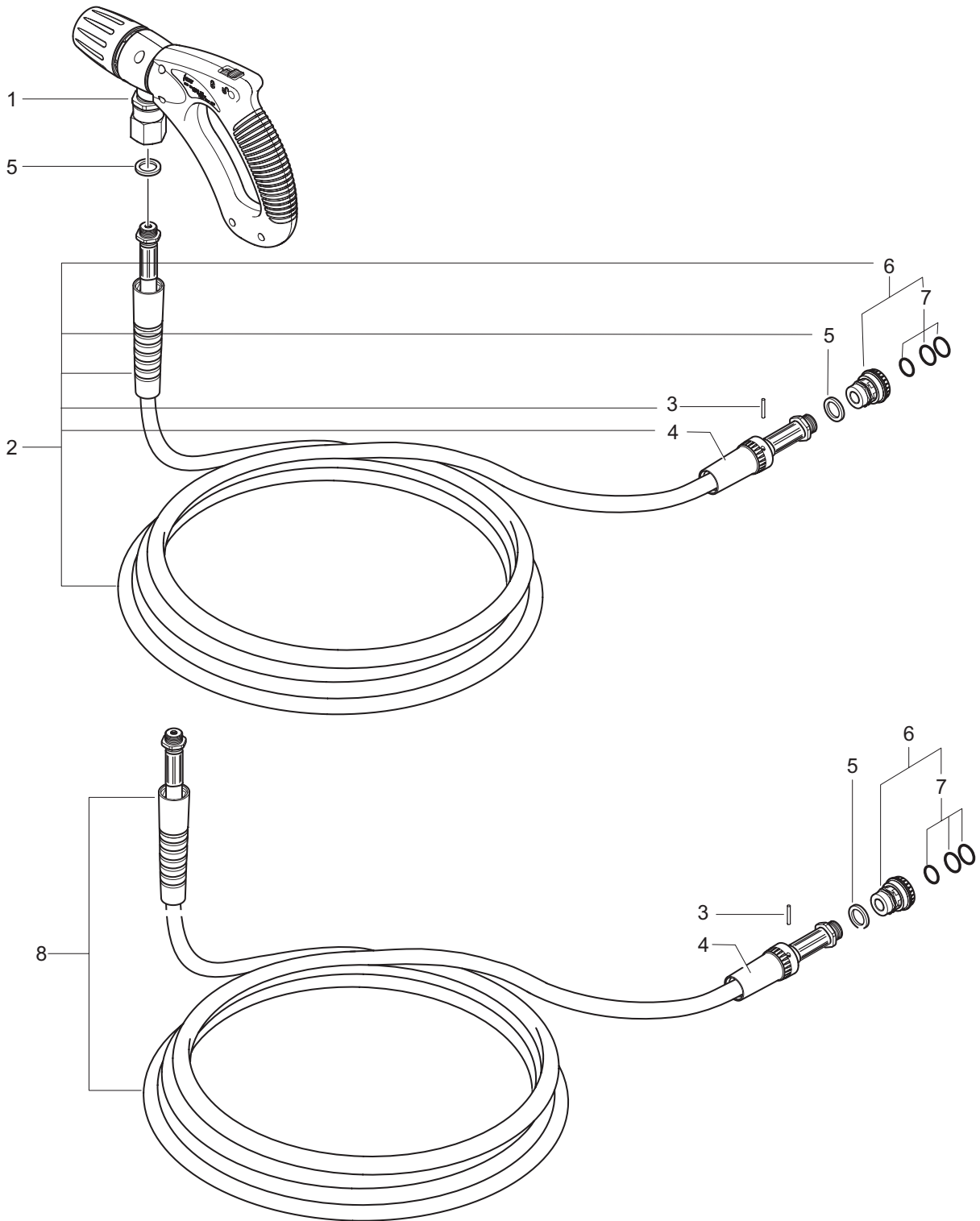


| POS. | NO.     | BEZEICHNUNG   | DESCRIPTION                            | DESIGNATION                |
|------|---------|---|--|----------------------------|
| 79   | 6400240 | Filter  | Filter                                 | Filtre                     |
| 80   | 6523000 | Stopfbuchse, kompl.<br>30CA Compact, 30CA Special, 30CA Compact I, 30CA Special I           | Stuffing box, compl.                   | Presse-étoupe, com,pl.     |
| 81   | 3004245 | O-Ring 15,88X 2,62 ARP AS 568<br>30CA Compact, 30CA Special, 30CA Compact I, 30CA Special I | O-Ring 15,88X 2,62 ARP / Joint torique |                            |
| 82   | 6523003 | Kolben kompl.<br>30CA Compact, 30CA Special, 30CA Compact I, 30CA Special I                 | Piston, compl.                         | Piston, compl.             |
| 83   | 2602431 | Feder, groß<br>30CA Compact, 30CA Special, 30CA Compact I, 30CA Special I                   | Spring, large                          | Pressort, gros             |
| 84   | 2602509 | Feder, klein<br>30CA Compact, 30CA Special, 30CA Compact I, 30CA Special I                  | Spring, small                          | Ressort, petite            |
| 85   | 7180930 | Sitz kpl.<br>30CA Compact, 30CA Special, 30CA Compact I, 30CA Special I                     | Seat, compl.                           | Sège, compl.               |
| 86   | 6124313 | Ventilkegel kpl.<br>30C Compact I, 30C Special I  | Valve cone, compl.                     | Cône p. clapet, compl.     |
| 87   | 6124334 | Pfropfen m. O-Ring<br>30C Compact I, 30C Special I  | Plug with O-ring                       | Manchon avec joint torique |
| 88   | 64235   | Konverter G3/8"xM27x1,5 innen<br>Wap  | Konverter                              | Convertisseur              |

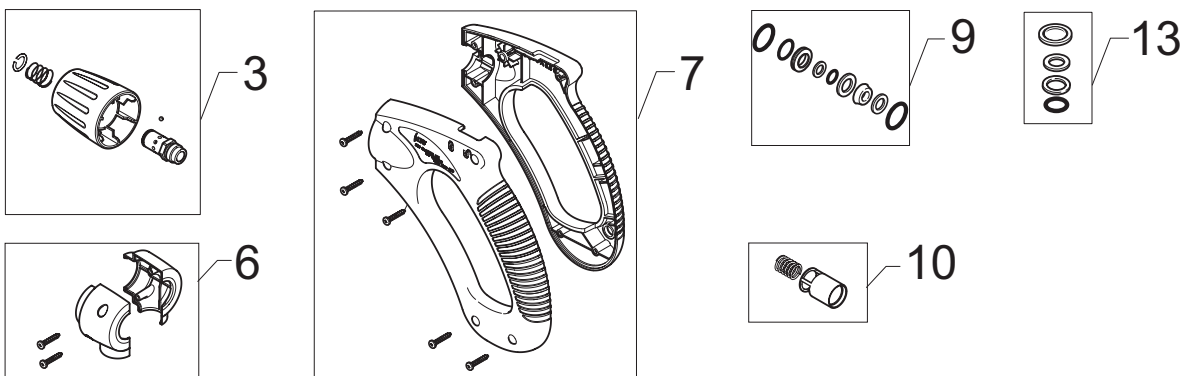
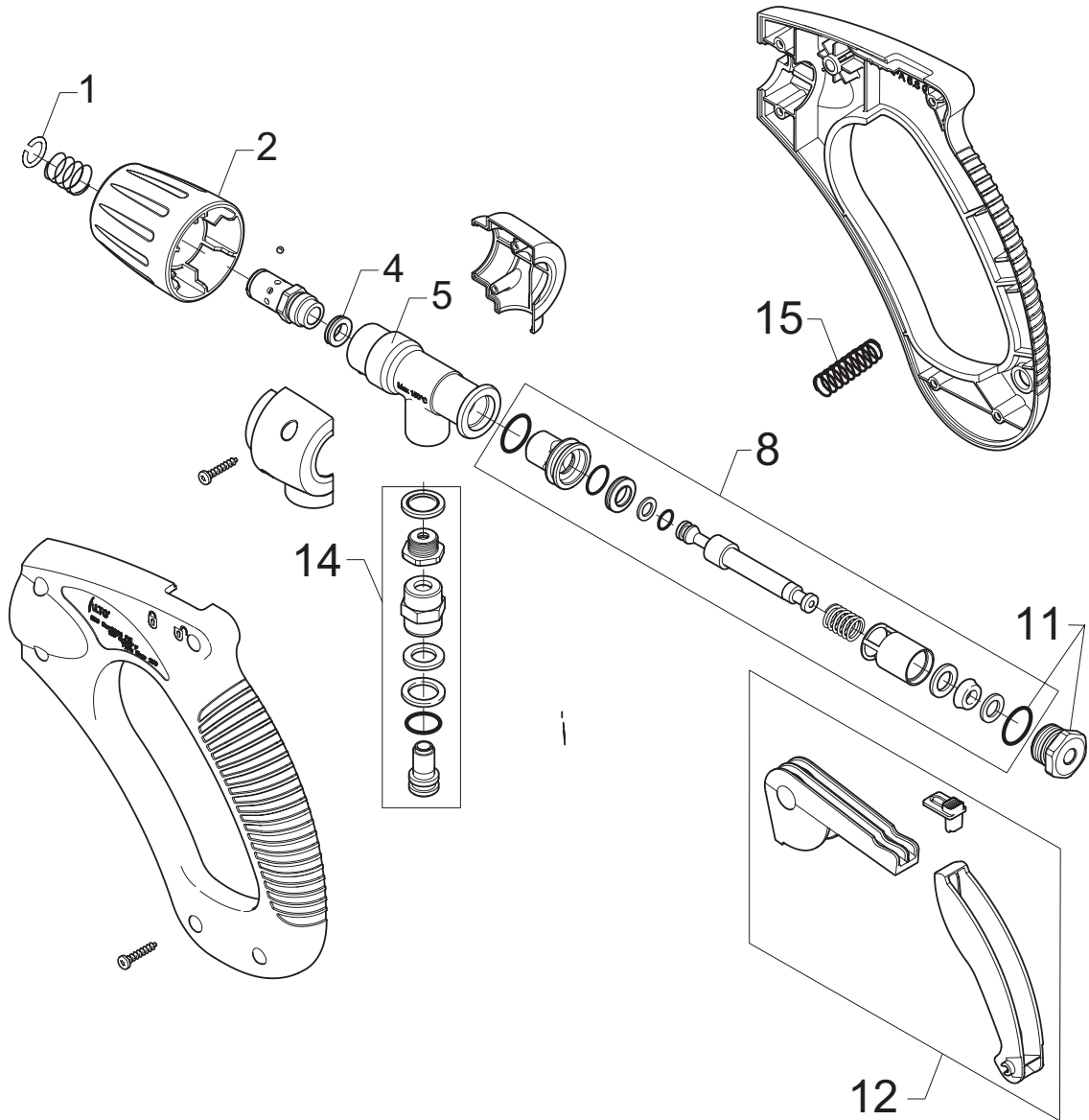


| POS. | NO.       | BEZEICHNUNG  | DESCRIPTION           | DESIGNATION             |
|------|-----------|--|-----------------------|-------------------------|
| 1    | 65557     | Schlauchtrommel 3/8" kpl.<br>G 3/8" - KEW  | Hose reel, compl.     | Enrouleur, compl.       |
|      | 66023     | Schlauchtrommel M27x1,5, kpl.<br>M 27x1,5 - Wap  | Hose reel, compl.     | Enrouleur, compl.       |
| 2    | 63787     | Schlauchtrommel<br>M 27x1,5 - Wap  | Hose reel             | Enrouleur               |
|      | 65574     | Schlauchtrommel<br>G3/8" - KEW   | Hose reel             | Enrouleur               |
| 3    | 66021     | Lagerbock 274,5x109x2 m.Buchse   |                       |                         |
| 4    | 66022     | Lagerbock 274,5x109x2 m.Buchse   |                       |                         |
| 5    | 54590     | Verschraubung XGE 12L 1/4NPT ZIVERSCHR. XGE 12L 1/4NPT z Raccord                           |                       |                         |
| 6    | 32524     | Sicherungsring DIN 471 20x1,2 SAFETY RING  |                       | CIRCLIPS PAR 10         |
| 7    | 63792     | Stützring Ø16,26x2,18 NBR 90 Supporting ring Ø16,26x2, RONDELLE                            |                       |                         |
| 8    | 19620     | O-Ring 15,0 x2,65 NBR70 O-Ring 15,0 x2,65 NBF JOINT PAR 20                                 |                       |                         |
| 9    | 62317     | Dichtungssatz f.Schlauchtrommel Gasket set for hose drum JOINT                             |                       |                         |
| 10   | 65447     | Befestigungsklammer  |                       |                         |
| 11   | 11253     | Schraube EJOT- KA50x20 WN 1 screw EJOT- KA50x20 WN Vis                                     |                       |                         |
| 12   | 64235     | Konverter G3/8"xM27x1,5 innen Konverter<br>M27x1,5 - Wap                                   |                       | Convertisseur           |
|      | 1600493   | Nippel 3/8" für Schnellkupplung Nipple<br>G3/8" -KEW                                       |                       | EMBOUT MALE 3/8 FEMELLE |
| 13   | 65466     | Dichtring 8x15x1 A7603<br>Wap  |                       | JOINT                   |
| 14   | 65457     | HD-Schlauch DN 8x405 M18x1,5 3/8" 90°<br>Wap   |                       | FLEXIBLE                |
| 15   | 65455     | HD-Schlauch DN 8x380 250bar/150° M18x1,5<br>KEW  |                       | FLEXIBLE                |
| 16   | 1118132   | Dichtsatz für Schnellkupplung Gasket set for quick couplir KIT JOINTS RACCORD RAPID<br>KEW |                       |                         |
| 17   | 106402075 | Schnellkupplung kpl.<br>KEW  |                       |                         |
| 18   | 1823      | Verschraubung WE 12L/R3/8"<br>KEW  | Screwing WE 12L/R3/8" |                         |
| 19   | 301000312 | HD-Anschluß-Set G3/8"<br>G3/8" - KEW   |                       |                         |
|      | 301000313 | HD-Anschluß-Set M27x1,5<br>M27x1,5 - Wap   |                       |                         |
| 20   | 909100126 | Mutter 6kt- M27x1,5 x 7 SW36   |                       |                         |

30C Special I  
30CA Special  
30CASpecial I  
30C Compact I  
30CA Compact  
30CACcompact I

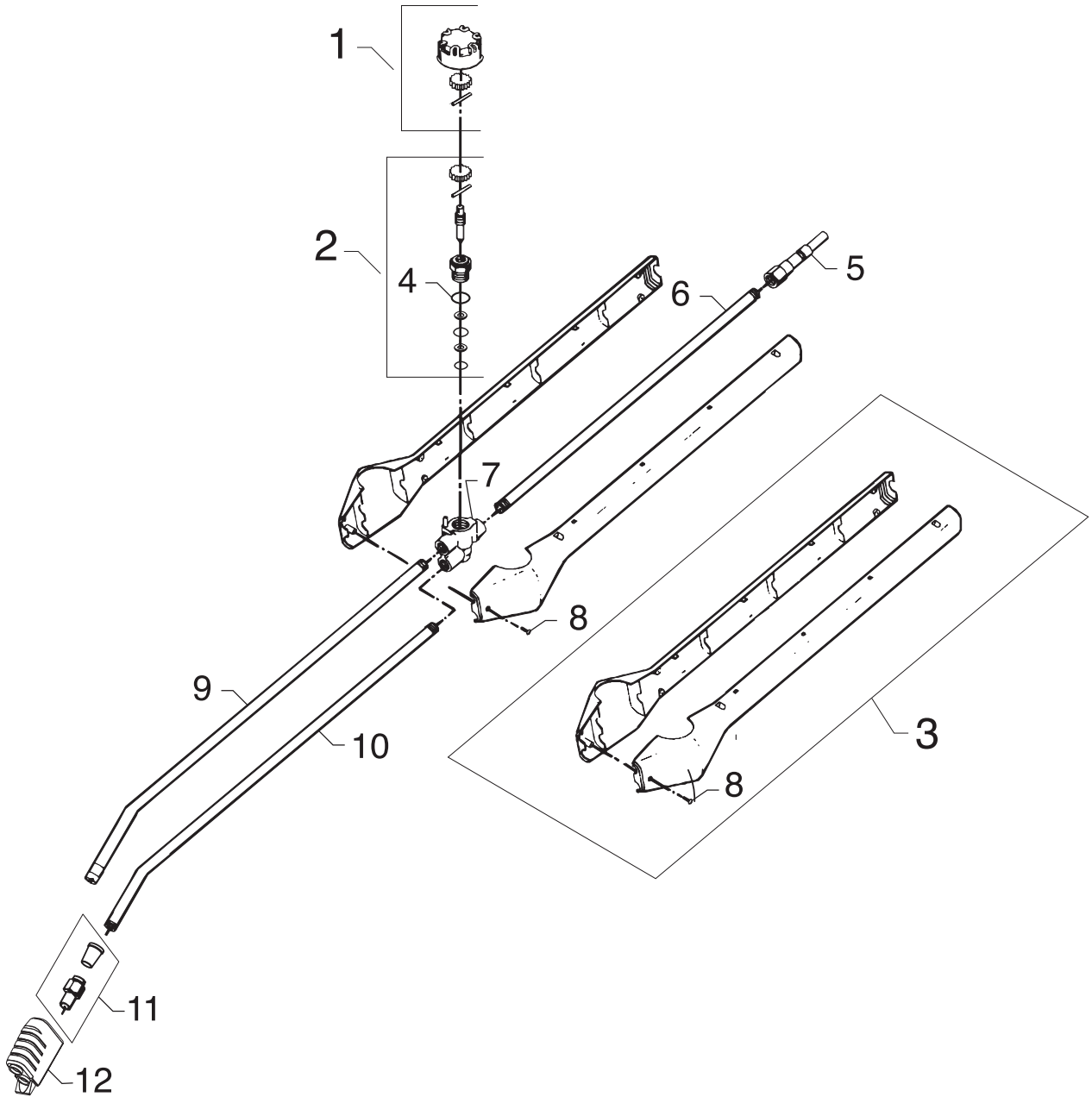


| POS. | NO.       | BEZEICHNUNG  | DESCRIPTION                  | DESIGNATION              |
|------|-----------|--|------------------------------|--------------------------|
| 1    | 106402070 | Pistole "ERGO 3000 "   |                              |                          |
| 2    | 101405770 | HD-Schlauch DN 8x10m Quick / 3/8" AG<br>30C/CA Compact I, 30 CA Compact      |                              |                          |
|      | 101405771 | HD-Schlauch DN 8x15m Quick / 3/8" AG<br>30 CA Compact I *US*                 |                              |                          |
| 3    | 106402503 | Paßstift ø 3x29,8  |                              |                          |
| 4    | 106402502 | Knickschutz  |                              |                          |
| 5    | 1801075   | Dichtring ø23,8 x ø17,2 x2 3/8"  | Packing ring ø23,8 x ø17,2   | RONDELLES JOINT PAR 5    |
| 6    | 106402075 | Schnellkupplung kpl.   |                              |                          |
| 7    | 1118132   | Dichtsatz für Schnellkupplung  | Gasket set for quick couplir | KIT JOINTS RACCORD RAPID |
| 8    | 1405569   | HD-Schlauch DN 8 x10m 3/8"AG   | HP hose DN 8 x10m 3/8"AG     | FLEXIBLE HP R1-5/16 10M  |
|      | 1405640   | HD-Schlauch DN 8 x15m 3/8 "AG 150°C 1-lag<br>30C/CA Special I, 30 CA Special |                              |                          |

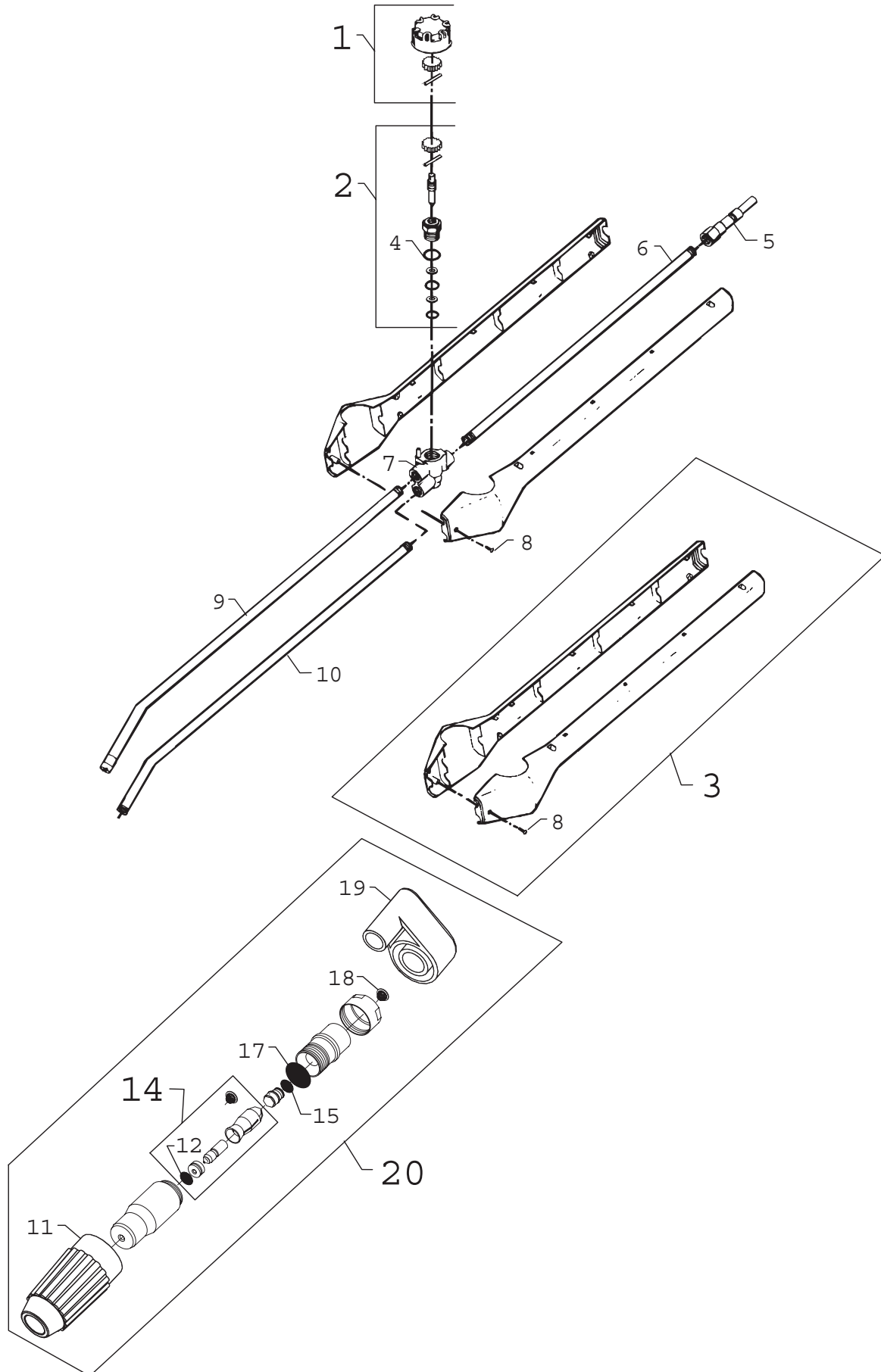




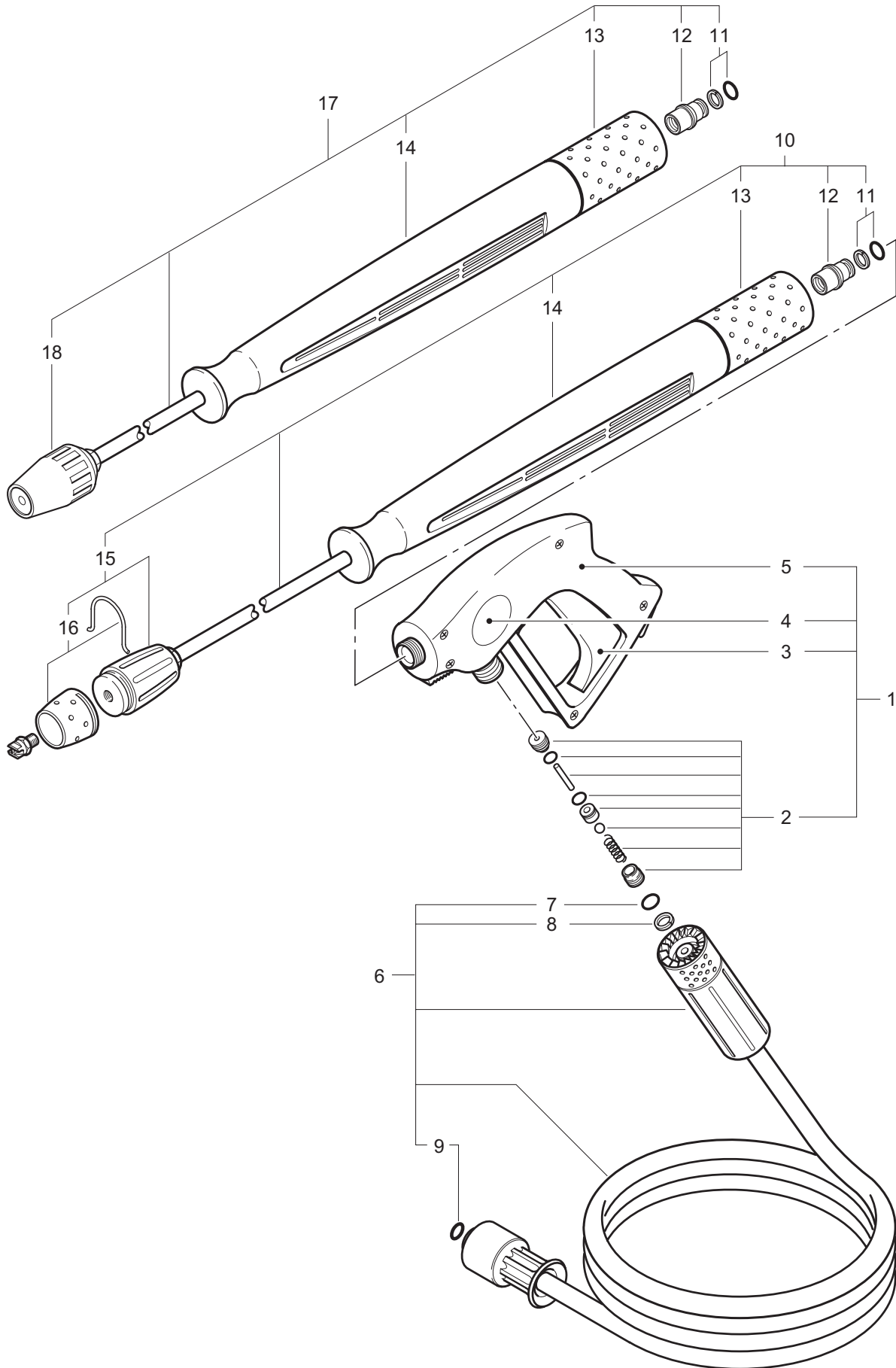
| POS. | NO.       | BEZEICHNUNG                         | DESCRIPTION | DESIGNATION          |
|------|-----------|-------------------------------------|-------------|----------------------|
| 1    | 1800192   | Sicherungsscheibe 18,2x2 RF         | CIRCLIP     | JOINT DE SERRAGE (15 |
| 2    | 106402460 | Bajonett Anschluß vorm.             |             |                      |
| 3    | 101119483 | Rep.Satz Verriegelung               |             |                      |
| 4    | 103004330 | Manschette U- ø12,0/ø18,0x4,4 EMP70 |             |                      |
| 5    | 106402451 | Ventilgehäuse                       |             |                      |
| 6    | 101119481 | Rep.Satz Schalen f.Ventilgehäuse    |             |                      |
| 7    | 101119480 | Rep.Satz Griff                      |             |                      |
| 8    | 101119486 | Rep.Satz Ventil                     |             |                      |
| 9    | 101119488 | Rep.Satz O-Ringe f.Ventil           |             |                      |
| 10   | 101119489 | Rep.Satz Hülse u. Feder             |             |                      |
| 11   | 101119487 | Rep.Satz Stopfen m.O-Ring           |             |                      |
| 12   | 101119482 | Rep.Satz Hebel f.Pistole            |             |                      |
| 13   | 101119485 | Rep.Satz Gelenkdichtungen           |             |                      |
| 14   | 101119484 | Rep.Satz Gelenk f.Pistole           |             |                      |
| 15   | 106402459 | Druckfeder 0,9x9,0x40,0             |             |                      |
|      | 106402070 | Pistole "ERGO 3000"                 |             |                      |



| POS. | NO.     | BEZEICHNUNG                       | DESCRIPTION                    | DESIGNATION                 |
|------|---------|-----------------------------------|--------------------------------|-----------------------------|
| 1    | 6408000 | Drehknopf,kompl.                  | Rotary knob assembly           | Bouton, compl.              |
| 2    | 6408001 | Spindel,kompl.                    | Spindle, compl.                | Broche, compl.              |
| 3    | 1119830 | Reparatursatz für Sprührohrschale | Repair kit, spray lance shells | Kit de rép., lance (carter) |
| 4    | 3000064 | O-Ring 14,1 x1,6 SMS 1586         | O-Ring 14,1 x1,6 SMS 15        | Joint torique               |
| 5    | 1609325 | Nippel für Sprührohr-Schnellkupp  | Nipple                         | Raccord rapide mâle         |
| 6    | 2406500 | Einlassrohr                       | Inlet pipe                     | TUBE                        |
| 7    | 6408002 | Gehäuse, kompl.                   | Housing complete               | Carter, compl.              |
| 8    | 1814585 | Schraube EJOT- K30x12 T10 WN      | screw EJOT- K30x12 T10 W       | Vis                         |
| 9    | 6401208 | Niederdruckrohr m. Düse           | Low pressure tube w.nozzle     | Tuyau basse pression,a.buse |
| 10   | 6401209 | Hochdruckrohr                     | High pressure tube             | Tuyau haut pression         |
| 11   | 2802650 | Hochdruckdüse 15035               | HP nozzle 15035                | Buse, haute pression 15035  |
|      | 2802651 | Hochdruckdüse 1504                | HP nozzle 1504                 | Buse, haute pression 1504   |
|      | 2802655 | Hochdruckdüse 15030               | HP nozzle 15030                | Buse, haute pression 15030  |
| 12   | 6124200 | Düsenmantel für Tornado           | Nozzle shell for Tornado       | PROTECTEUR BUSE             |
|      | 6401206 | Tornado-Sprührohr, 920, 030       | Spray lance                    | Lance                       |
|      | 6401207 | Tornado-Sprührohr, 920, 035       | Spray lance                    | Lance                       |
|      | 6401248 | Tornado Sprührohr, 920, 040       | Spray lance                    | Lance                       |



| POS. | NO.     | BEZEICHNUNG                       | DESCRIPTION                 | DESIGNATION                  |
|------|---------|-----------------------------------|-----------------------------|------------------------------|
| 1    | 6408000 | Drehknopf,kompl.                  | Rotary knob assembly        | BOUTON MARCHE/ARRET, C       |
| 2    | 6408001 | Spindel,kompl.                    |                             | BROCHE COMPLET               |
| 3    | 1119830 | Reparatursatz für Sprührohrschale | Repair kit for Spruehrohrsc | KIT REPARATION LANCE "EN     |
| 4    | 3000064 | O-Ring 14,1 x1,6 SMS 1586         | O-Ring 14,1 x1,6 SMS 15     | JOINTS TORIQUE PAR 10        |
| 5    | 1609325 | Nippel für Sprührohr-Schnellkupp  | Nipple                      | ADAPTATEUR DE LANCE RF       |
| 6    | 2406500 | Einlassrohr                       | Inlet pipe                  | TUBE                         |
| 7    | 6408002 | Gehäuse f.Sprührohr,kompl.        | Housing for spray tube, con | VANNE DOUBLE VOIE            |
| 8    | 1814585 | Schraube EJOT- K30x12 T10 WN      | screw EJOT- K30x12 T10 W    | VIS PT PAR 20                |
| 9    | 6408008 | Niederdruckrohr m. Düse           |                             | TUYAU BP                     |
| 10   | 2406421 | Hochdruckrohr, Powersp, PLUS      |                             | Tuyau haut pression, Pow.PL  |
| 11   | 6401940 | Düsenmantel                       |                             |                              |
| 12   | 3004252 | O-Ring 10x2 NITRIL 90SH           | O-Ring 10x2 NITRIL 90SH     | Joint torique 10x2 NITRIL 90 |
| 14   | 6408038 | Rep,satz Rotor/Sitz 03            | repair kit 03               | Kit de rép., rotor/siège 03  |
|      | 6408039 | Rep, satz Rotor/Sitz 035          | repair kit 035              | Kit de rép., rotor/siège 035 |
| 15   | 3004252 | O-Ring 10x2 NITRIL 90SH           | O-Ring 10x2 NITRIL 90SH     | Joint torique 10x2 NITRIL 90 |
| 17   | 3004293 | O-Ring 25,07x2,62 90SH NITRIL     | O-Ring 25,07x2,62 90SH N    | Joint torique 25.07x2.62 90: |
| 18   | 6408019 | Filter                            | Filter                      | Filtre                       |
| 19   | 6401930 | Düsenmarkierungsring violett      | Nozzle marking ring, violet | Anneau de marq. buse violar  |
|      | 6401931 | Düsenmarkierungsring bronze       | Nozzle marking ring, broze  | Anneau de marq. buse         |
| 20   | 6408020 | Düsenkopf violett, 03<br>1 ph     | Nozzle head, violet, 03     | Powerspeed VARIO 03 SEULI    |
|      | 6408021 | Düsenkopf bronze,035<br>3 ph      | Nozzle head bronze, 035     | Powerspeed VARIO 035 SEU     |



| POS. | NO.       | BEZEICHNUNG   | DESCRIPTION  | DESIGNATION                         |
|------|-----------|---|--|-------------------------------------|
| 1    | 64170     | Pistole   |  | PISTOLET HP                         |
| 2    | 61041     | Dichtsatz   | Gasket set   | KIT DE REPARATION                   |
| 3    | 301000478 | Abzugshebel<br>incl.Feststeller+Stift   | Trigger<br>including latch+pin   | Décl<br>verrou+goupille cyl. inclus |
| 4    | 301000481 | Einlegeschild "Wap" ø40 blau  |  |                                     |
| 5    | 301000483 | Griffschalen-Set<br>incl.Schraub.+Verriegelg.+Federn                                  | Set handle shells<br>incl.screws+latches+springs vis+verrou+ressort inclus | Set carter                          |
| 6    | 61115     | HD-Schlauch DN 8x10m  | HP hose DN 8x10m   | TUYAU HP DE SECURITE 8X1            |
|      | 62363     | HD-Schlauch DN 8x15m 250bar/1   | HP hose DN 8x15m 250bar, Flexible HP de sécurité DN8 >                     |                                     |
| 7    | 9154      | O-Ring 10,82X1,78   | O-Ring 10,82X1,78  | ARP / JOINT 10.82 X 1.78            |
| 8    | 55185     | Stützring 11,7X14,5X1,2PTFE   | Supporting ring  | JOINT                               |
| 9    | 49587     | O-Ring 20,35x1,78 NBR90   | O-Ring 20,35x1,78 NBF  | JOINT                               |
| 10   | 61114     | Sprührohr 950 mm  |  | LANCE                               |
| 11   | 18059     | O-Ring-Set für Quickverschraubur  | O-ring set   | JEU DE JOINT DE TORIQUE             |
| 12   | 301000090 | Nippel Anschluss 1/4" ø19x33  |  |                                     |
| 13   | 301000087 | Anschlußmutter M21x1,5 ø47x90   |  |                                     |
| 14   | 301000485 | Griffschalen-Set f. Universalsprühı<br>incl. Schrauben                                | Set handle shells<br>including screws                                      | Set carter<br>vis inclus            |
| 15   | 61037     | FlexoPowerJet-Düse  | FlexoPowerJet nozzle   | Buse                                |
| 16   | 61038     | Düsenschutz   | Nozzle guard   | Bouchon                             |
| 17   | 65435     | Turbo Hammer W12 035 Sprühro Rotor Nozzle W12 035                                     |  |                                     |
|      | 65436     | Turbo Hammer W12 040 Sprühro Rotor Nozzle W12 040                                     |  |                                     |
| 18   | 49283     | Turbo Hammer W12 035<br>für Turbo-Hammer 65435<br>Reparatursatz = 301000589           | Rotor Nozzle W12 035   | MARTEAU                             |
|      | 65437     | Turbo Hammer W12 1/8-27NPT 0 Rotor Nozzle W12 1/8-27NPT 040<br>für Turbo-Hammer 65436 |  |                                     |



**INTERNET**  
<http://www.alto-online.com>

### **ALTO HEADQUARTERS**

Incentive International A/S  
Kongens Nytorv 28  
P.O.Box 2064  
1013 Copenhagen K  
Tel.: +45 33 11 11 42  
Fax: +45 33 93 46 36  
E-mail: [incentive@incentive-dk.com](mailto:incentive@incentive-dk.com)

### **SUBSIDIARIES**

#### **AUSTRALIA**

ALTO Overseas Inc.  
1B/8 Resolution Drive  
P.O.Box 797  
Caringbah, N.S.W. 2229  
Tel.: +61 2 95 24 61 22  
Fax: +61 2 95 24 52 56

#### **AUSTRIA**

ALTO Österreich GmbH  
Metzgerstr. 68  
5101 Bergheim/Salzburg  
Tel.: +43 6624 5 64 00-14  
Fax: +43 6624 5 64 00-55  
E-mail: [wap@salzburg.co.at](mailto:wap@salzburg.co.at)

#### **BRAZIL**

Wap do Brasil Ltda.  
Rua 25 de Agosto, 608  
83323-260 Pinhais/Paraná  
Tel.: +55 4 16 67 40 26  
Fax: +55 4 16 67 47 99  
E-mail: [wap@wapltda.com.br](mailto:wap@wapltda.com.br)

#### **CANADA**

ALTO Canada  
24 Constellation Road  
Rexdale  
Ontario M9W 1K1  
Tel.: +1 416 6 75 58 30  
Fax: +1 416 6 75 69 89

#### **CROATIA**

Wap ALTO Strojevi za čišćenje, d.o.o.  
Siget 18a  
10020 Zagreb  
Tel.: +385 1 65 54 144  
Fax: +385 1 65 54 112  
E-mail: [admin.wap@wap-sistemi.hr](mailto:admin.wap@wap-sistemi.hr)

#### **CZECH REPUBLIC**

ALTO Česká Republika s.r.o.  
Zateckých 9  
14000 Praha 4  
Tel.: +420 2 41 40 84 19  
Fax: +420 2 41 40 84 39  
E-mail: [wap\\_p@mbox.vol.cz](mailto:wap_p@mbox.vol.cz)  
Web: [www.wap-alto.cz](http://www.wap-alto.cz)

#### **DENMARK**

ALTO Danmark A/S  
Industrivartheret  
9560 Hadsund  
Tel.: +45 7218 21 00  
Fax: +45 7218 21 05  
E-mail: [salg@alto-dk.com](mailto:salg@alto-dk.com)

ALTO Danmark A/S (food division)  
Blytækervej 2  
9000 Aalborg  
Tel.: +45 7218 21 00  
Fax: +45 7218 20 99  
E-mail: [scanio.technology@alto-dk.com](mailto:scanio.technology@alto-dk.com)

#### **FRANCE**

ALTO France S.A.  
B.P. 44, 4 Place d'Ostwald  
67036 Strasbourg Cedex 2  
Tel.: +33 3 88 28 84 00  
Fax: +33 3 88 30 05 00  
E-mail: [info@alto-fr.com](mailto:info@alto-fr.com)

#### **GERMANY**

Wap ALTO Group  
ALTO Deutschland GmbH  
Guido-Oberdorfer-Straße 2-8  
89287 Bellenberg  
Tel.: +49 0180 5 37 37 37  
Fax: +49 0180 5 37 37 38  
E-mail: [info@wap-online.de](mailto:info@wap-online.de)

#### **GREAT BRITAIN**

ALTO Cleaning Systems  
(UK) Ltd.  
Bowerbank Way  
Gilwilly Industrial Estate, Penrith  
Cumbria CA11 9BN  
Tel.: +44 1 7 68 86 89 95  
Fax: +44 1 7 68 86 47 13  
E-mail: [sales@alto-uk.com](mailto:sales@alto-uk.com)

#### **JAPAN**

ALTO Danmark A/S Japan  
Representative Office  
5-2, Sakyo 1-Chome  
631-0801 Nara City  
Tel.: +81 742 72 0555  
Fax: +81 742 72 0555  
E-mail: [alto-jpn@nifty.com](mailto:alto-jpn@nifty.com)

#### **NETHERLANDS**

ALTO Nederland B.V.  
Postbus 65  
3370 AB Hardinxveld-  
Giessendam  
Tel.: +31 18 46 67 72 00  
Fax: +31 18 46 67 72 01  
E-mail: [info@alto-nl.com](mailto:info@alto-nl.com)

#### **NEW ZEALAND**

ALTO Overseas Inc.  
5A Tarndale Grove  
Albany Auckland  
Tel.: +64 9 414 4520  
Fax: +64 9 414 4521  
E-mail: [altonz@ihug.co.nz](mailto:altonz@ihug.co.nz)

#### **NORWAY**

ALTO Norge A/S  
Bjørnerudveien 24  
1266 Oslo  
Tel.: +47 22 75 17 70  
Fax: +47 22 75 17 71  
E-mail: [info@alto-no.com](mailto:info@alto-no.com)

#### **SINGAPORE**

ALTO DEN-SIN Singapore Pte Ltd.  
No. 17 Link Road  
Singapore 619034  
Tel.: +65 2 68 10 06  
Fax: +65 2 68 49 16  
E-mail: [densin@singnet.com.sg](mailto:densin@singnet.com.sg)  
Web: [www.densin.com](http://www.densin.com)

#### **SLOVENIA**

Wap ALTO čistilni sistemi, d.o.o.  
Letališka 33  
SLO-1110 Ljubljana  
Tel.: +368 15 24 23 42  
Fax: +368 15 40 42 94  
E-mail: [wap.prodaja@siol.com](mailto:wap.prodaja@siol.com)

#### **SLOWAKIA**

Wap ALTO čistiace systémy s.r.o.  
Remeselnícka 42  
83106 Bratislava-Rača  
Tel.: +421 2 44 881 402  
Fax: +421 2 44 881 395  
E-mail: [wap@gtinet.sk](mailto:wap@gtinet.sk)  
Web: [www.wap-alto.sk](http://www.wap-alto.sk)

#### **SPAIN**

ALTO Iberica S.L.  
Calle de la Majada No. 4  
28760 Tres Cantos - Madrid  
Tel.: +34 91 8 04 62 56  
Fax: +34 91 8 04 64 63  
E-mail: [info@alto-es.com](mailto:info@alto-es.com)

#### **SWEDEN**

ALTO Sverige AB  
Aminogatan 18  
431 04 Mölndal  
Tel.: +46 3 17 06 73 00  
Fax: +46 3 17 06 73 41  
E-mail: [info@alto-se.com](mailto:info@alto-se.com)

#### **USA**

ALTO Cleaning Systems, Inc.  
12249 Nations Ford Road  
28134 Pineville  
Tel.: +1 704 971 1240  
Fax: +1 704 971 1241  
E-mail: [info@altocsi.com](mailto:info@altocsi.com)

ALTO U.S. Inc.  
16253 Swingley Ridge Road, Suite 200  
63017-1544 Chesterfield, Missouri  
Tel.: +1 636 530 0871  
Fax: +1 636 530 0872  
E-mail: [info@alto-us.com](mailto:info@alto-us.com)

ALTO U.S. Inc.  
2100 Highway 265  
72764 Springdale, Arkansas  
Tel.: +1 479 750 1000  
Fax: +1 479 756 0719  
E-mail: [info@alto-us.com](mailto:info@alto-us.com)

ALTO U.S. Inc.  
1100 Haskins Road  
43402 Bowling Green  
Tel.: +1 419 352 75 11  
Fax: +1 419 353 71 87  
E-mail: [info@alto-us.com](mailto:info@alto-us.com)