

# WT3SPD-EU

---

Model:  
AIR MOVER WT3SPD



Stückliste Deutsch

18-10-2012



[www.vipercleaning.com](http://www.vipercleaning.com)

Ersatzteile auf [www.gluesing.net](http://www.gluesing.net)

# Inhalt

WT3SPD-EU

|                                     |          |
|-------------------------------------|----------|
| <b>Übersicht</b>                    | <b>3</b> |
| <b>Handle - Wheels - Cord</b>       | <b>5</b> |
| <b>Wiring - Wear and Tear parts</b> | <b>7</b> |

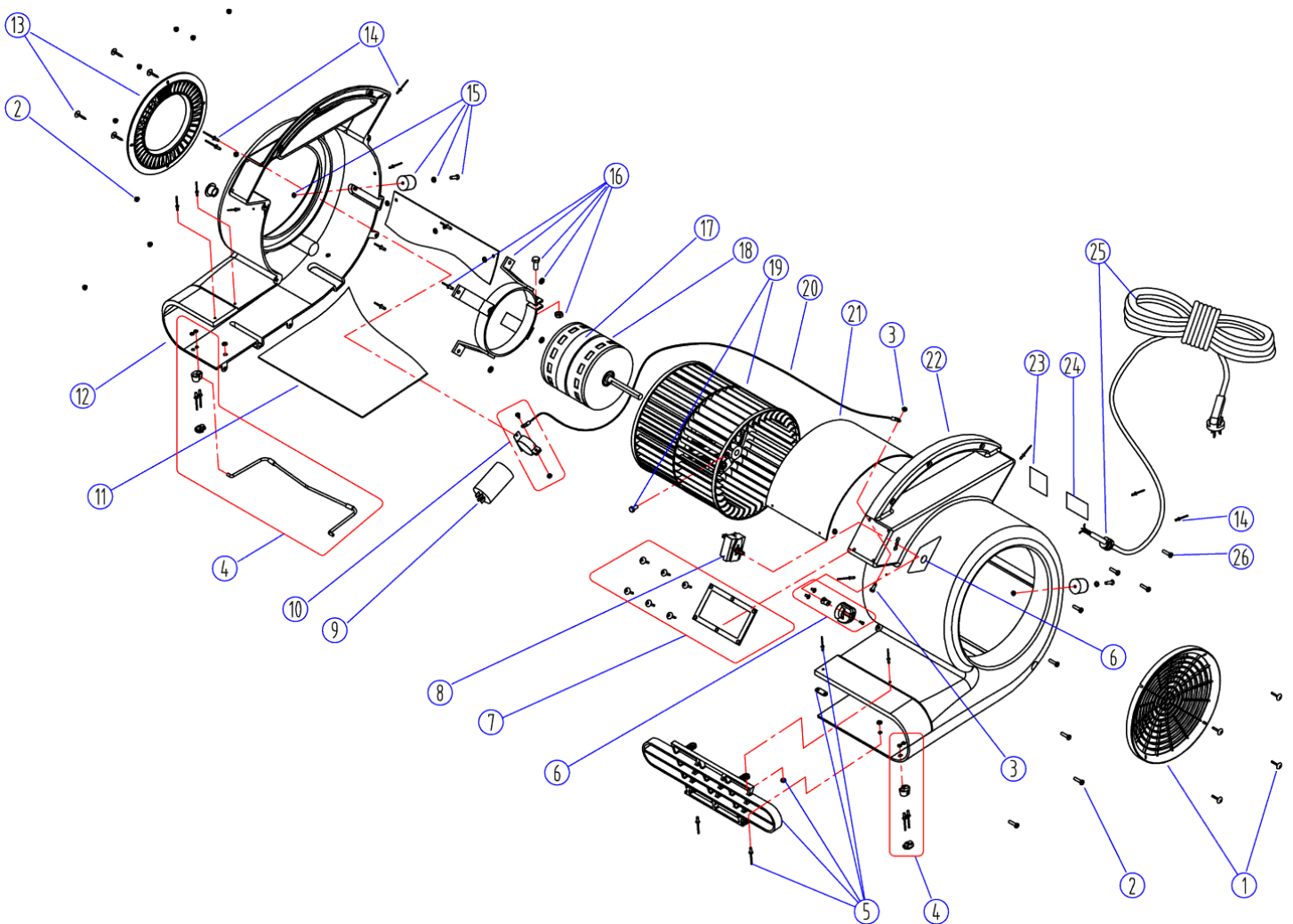
# Übersicht

WT3SPD-EU

18-10-2012

ET-Liste-Nr. WT302

3



# Übersicht

## WT3SPD-EU

18-10-2012

ET-Liste-Nr. W1302

4

| Pos | Artikelnr. | Me | Beschreibung                          |
|-----|------------|----|---------------------------------------|
| 1   | VV30107A   | 1  | Lüfterabdeckung links, Kit            |
| 2   | VF13613A   | 8  | Schraube M5x20 u. Sicherungsmutter M5 |
| 3   | VF13639A   | 1  | Schraube M4x20 und Mutter M4          |
| 4   | VV30102B   | 1  | RIGHT LEFT FRONT STAND BLOCK KIT      |
| 5   | VV30112A   | 1  | Entlüftungsöffnung kpl.               |
| 6   | VV30104A   | 1  | Schalter Rotator Kit                  |
| 7   | VV30103A   | 1  | Platte inkl. Logo                     |
| 8   | VV30180    | 1  | Schalter                              |
| 9   | VV30138    | 1  | Kondensator (10µ/600V)                |
| 10  | VV30137A   | 1  | Klammer Kit f. Kondensator            |
| 11  | VV30118    | 1  | Platte Lüfterkammer                   |
| 12  | VV30100A   | 1  | Gehäuse links                         |
| 13  | VV30110A   | 1  | Lüfterabdeckung rechts, Kit           |
| 14  | VV13655    | 9  | Niete M3.2x12                         |
| 15  | VV30114A   | 2  | Gummsockel Kit 48 mm                  |
| 16  | VV30011A   | 1  | Klammer Motor, Kit                    |
| 17  | VV30116    | 1  | Motordichtung                         |
| 18  | YQ60000    | 1  | Motor 220-240 V 3/4HP-750 W           |
| 19  | VV30010A   | 1  | Lüfterrad, Kit                        |
| 20  | VA21570    | 1  | Kabel 200 mm                          |
| 21  | VV30118A   | 1  | Platte Lüfterkammer                   |
| 22  | VV30100A   | 1  | Gehäuse links                         |
| 23  | VV30207    | 1  | Aufkleber                             |
| 24  | VV30202    | 1  | Warnhinweis Klebeschild               |
| 25  | VV30181-EU | 1  | Netzkabel mit EU-Stecker              |
| 25  | VV30181-UK | 1  | POWER CABLE KIT WITH UK PLUG          |
| 26  | VV13636    | 3  | Schraube M5x30                        |

# Handle - Wheels - Cord

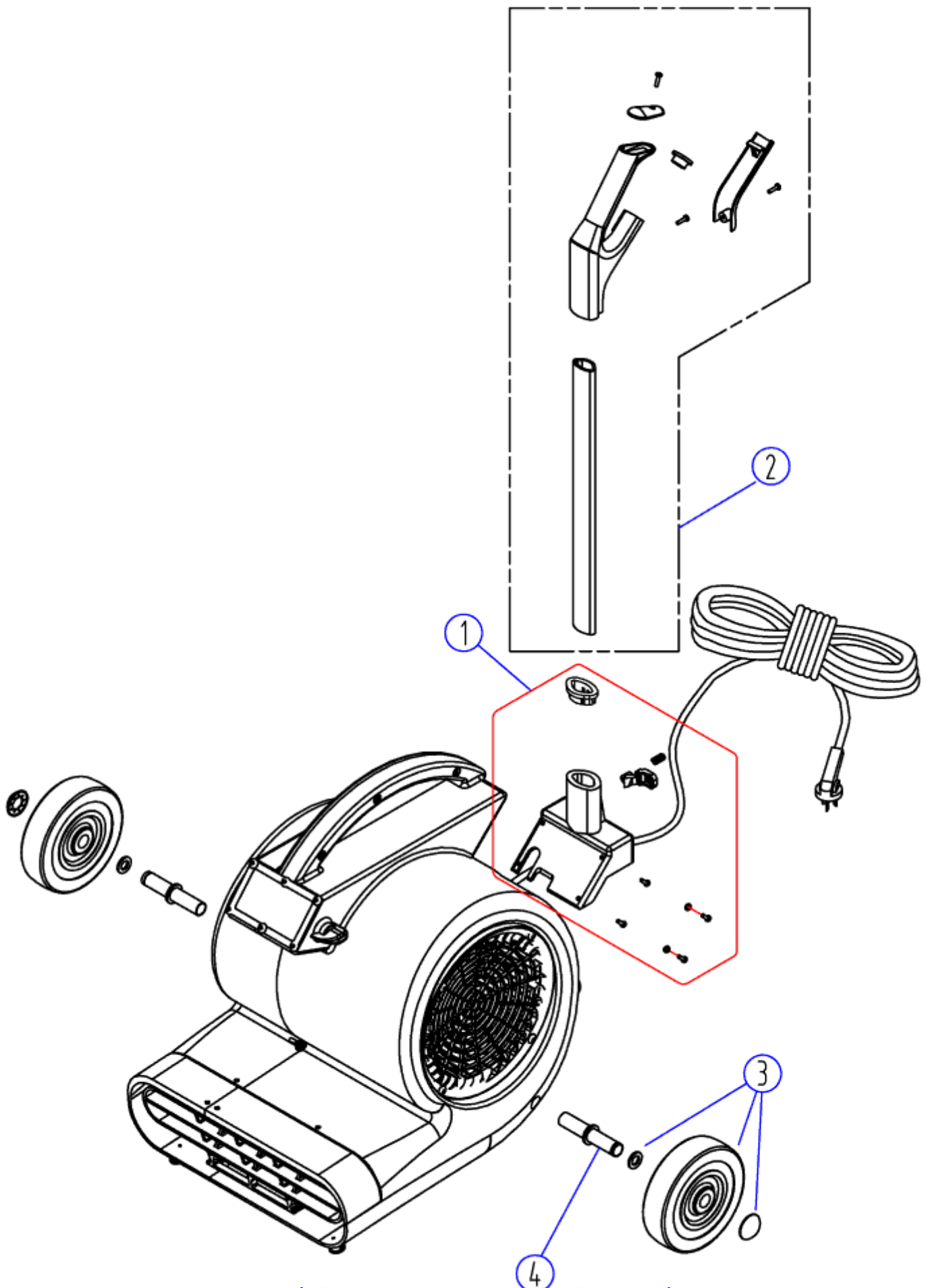
WT3SPD-EU

18-10-2012

ET-Liste-Nr.

WT304

5



Ersatzteile auf [www.gluesing.net](http://www.gluesing.net)

# Handle - Wheels - Cord

WT3SPD-EU

18-10-2012

ET-Liste-Nr. W1304

6

| Pos | Artikelnr. | Me | Beschreibung        |
|-----|------------|----|---------------------|
| 1   | VV30120B   | 1  | HANDLE SEAT KIT     |
| 2   | VV30109A   | 1  | TRANSPORT KIT       |
| 3   | VF47055A   | 2  | Rad inkl. Abdeckung |
| 4   | VV30111    | 2  | Achse               |

The axles have a very tight tolerance fit. Lubricate them with some soapy water before driving them into the molded receiver.

Ersatzteile auf [www.gluesing.net](http://www.gluesing.net)

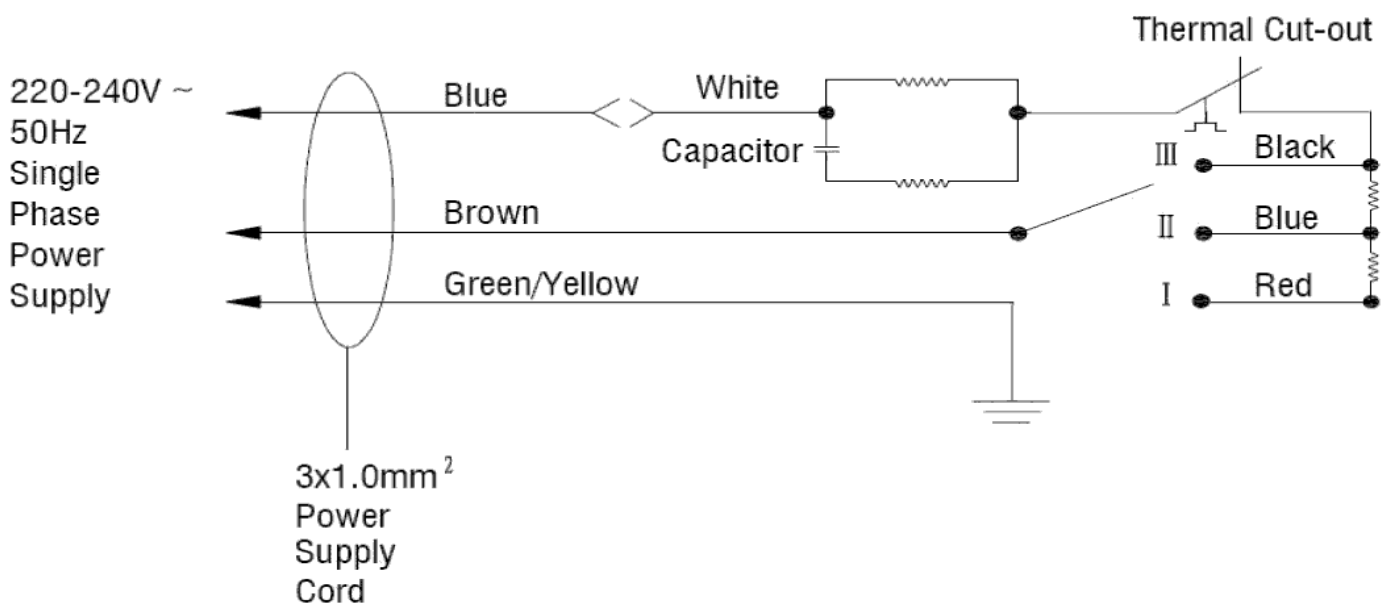
# Wiring - Wear and Tear parts

WT3SPD-EU

18-10-2012

ET-Liste-Nr. WT306

7



# Wiring - Wear and Tear parts

WT3SPD-EU

18-10-2012

ET-Liste-Nr. W1306

8

| Pos | Artikelnr. | Me | Beschreibung                     |
|-----|------------|----|----------------------------------|
|     | VV30102B   | 1  | RIGHT LEFT FRONT STAND BLOCK KIT |
|     | VV30104A   | 1  | Schalter Rotator Kit             |
|     | VV30138    | 1  | Kondensator (10 $\mu$ /600V)     |
|     | VV30180    | 1  | Schalter                         |
| 0   | VV30181-EU | 1  | Netzkabel mit EU-Stecker         |
| 0   | VV30181-UK | 1  | POWER CABLE KIT WITH UK PLUG     |