

150CP

Model:
150CP



Part List US-English

29-01-2013

Nilfisk
ALTO
works for you

www.nilfisk-alto.com

Ersatzteile auf www.gluesing.net

Table of Contents

150CP

Summary	3
Pump unit	5
Unloader valve	7

Summary

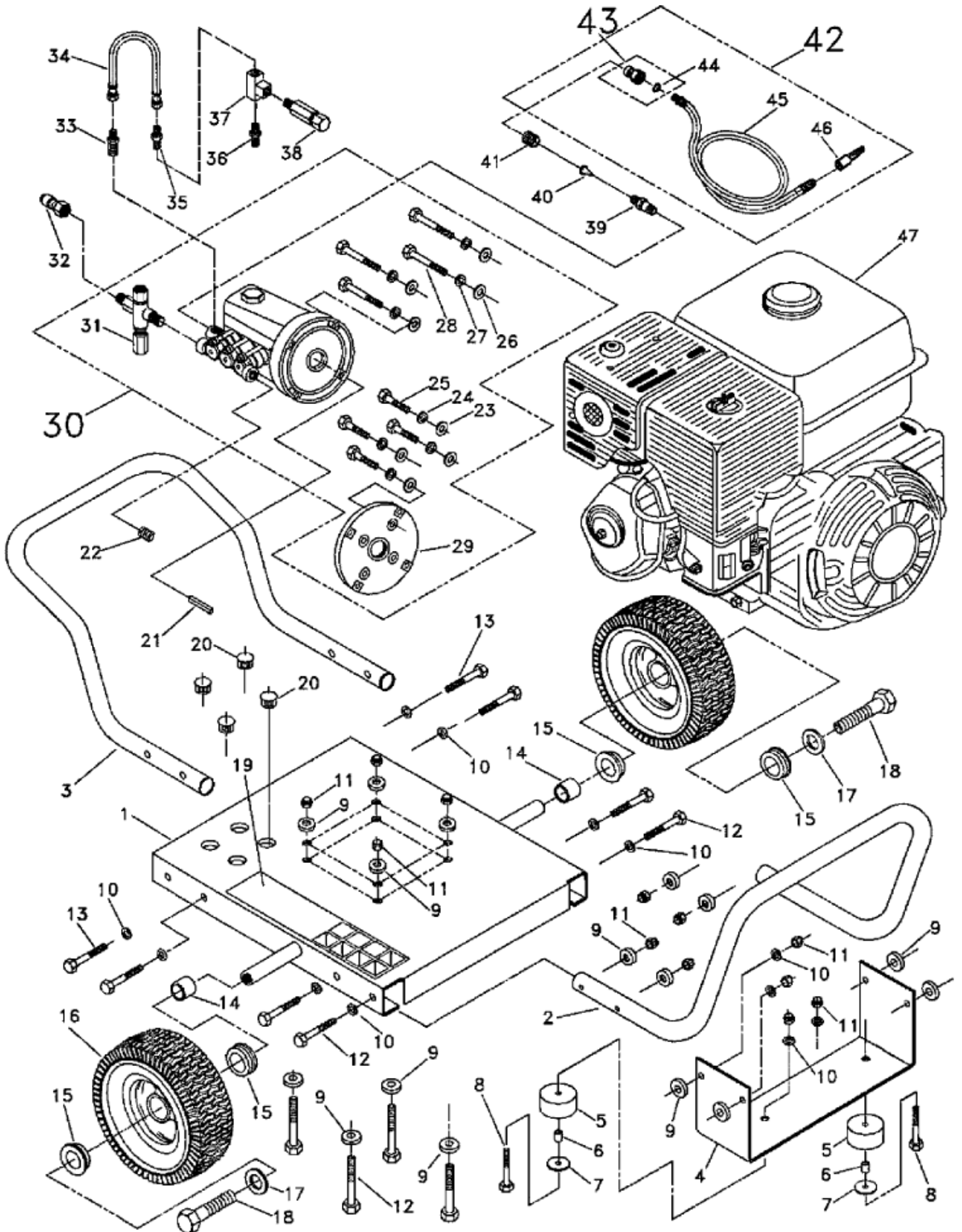
150CP

29-01-2013

Part List ID

150CP02

3



Summary

150CP

29-01-2013

Part List ID

150CP02

4

Pos	Part no.	Qty	Description
1	8002855	1	FRAME WLDMNT
5	8000094	2	ROBBER FOOT
6	FM-220-25	2	SLEEVE
8	BF-029-13	2	SCREW/BOLT
11	8000714	14	LOCK NUT
13	86108A	4	SCREW 5/16 18 x 2.0 HC
14	SF-910-05	2	SPACER
15	WA-812-75	4	BALL BEARING
16	WA-440-05	2	WHEEL
18	BF-029-146	2	BOLT
21	BK-010-03	1	KEY
31	UV-7500-2000	1	UV-7500-2 SET FOR 2000 PSI
32	1600493	1	Nippel F. Q-COUPL. 3/8 INCH
34	HA-555-10	1	BYPASS HOSE
36	PF-025-21	1	BRASS NIPPLE 1/4IN
37	PF-025-22	1	TEE 1/4IN - F/F/F
40	198078	1	SCREEN WASHER HOSE 1
41	1602945	1	QUICK COUPLING 3/4 W/GASKET
42	SH-100-00	1	SUCTION HOSE ASSY.
43	1605955	1	NIPPLE F. QUICK COUPLING L.P
44	3001237	1	GASKET Ø24.5XØ16X3 NITRIL 80SH
46	SH-100-02	1	FOOT VALVE

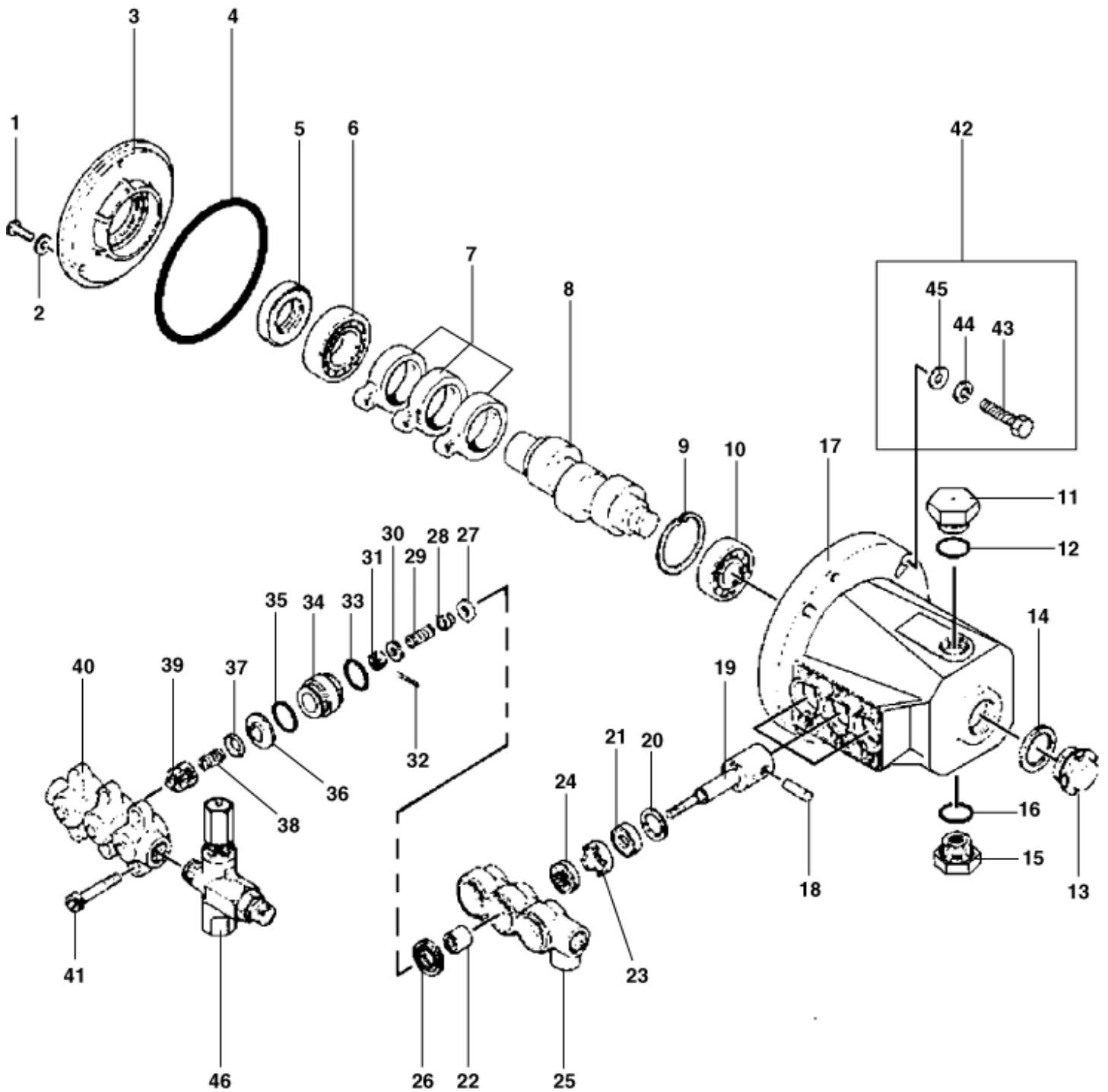
Pump unit

150CP

29-01-2013

Part List ID
150CP04

5



Pump unit

150CP

29-01-2013

Part List ID
150CP04

6

Pos	Part no.	Qty	Description
-	5301424	1	PUMP OIL 100 1X1 L
3	CP-44857	1	BEARING COVER
4	CP-14044	1	O-RING
5	CP-44859	1	OIL SEAL
6	CP-14488	1	BALL BEARING
7	CP-45876	3	ROD - CONNECTING
9	CP-12385	1	RETAINING RING
10	CP-15710	1	BALL BEARING
11	CP-45690	1	CAP - OIL FILLER
12	CP-14179	2	O-RING OIL FILLER CAP
14	CP-44428	1	GASKET OIL GAUGE
15	CP-44842	1	PLUG 3/8 in NPT DRAIN
16	CP-14179	1	O-RING OIL FILLER CAP
19	CP-44865	3	ROD - PISTON
20	CP-20017	3	WASHER SEAL
21	CP-25461	3	OIL SEAL - PISTON ROD
22	CP-45847	3	PLUNGER
23	CP-44869	3	RETAINER SEAL
24	CP-44876	3	LOW PRESSURE SEAL **
25	CP-44874	1	MANIFOLD
26	CP-43245	3	SEAL HI-PRESSURE **
27	CP-45854	3	INLET VALVE
28	CP-44871	3	SPACER
29	CP-44872	3	SPRING - INLET VALVE
30	CP-88575	3	WASHER CONICAL
31	CP-27000	3	NUT CASTELLATED M6
32	CP-14158	3	PIN COTTER **
33	CP-26089	3	O-RING
34	CP-44878	3	SPACER - DISCHARGE VALVE
35	CP-26089	3	O-RING **
36	CP-44881	3	VALVE SEAT
37	CP-43723	3	VALVE
38	CP-541062	2	VALVE SPRING
39	CP-44565	3	VALVE SPRING RETAINER
40	CP-44879	1	MANIFOLD
41	CP-87859	6	BOLT
46	UV-7500-2000	1	UV-7500-2 SET FOR 2000 PSI

Unloader valve

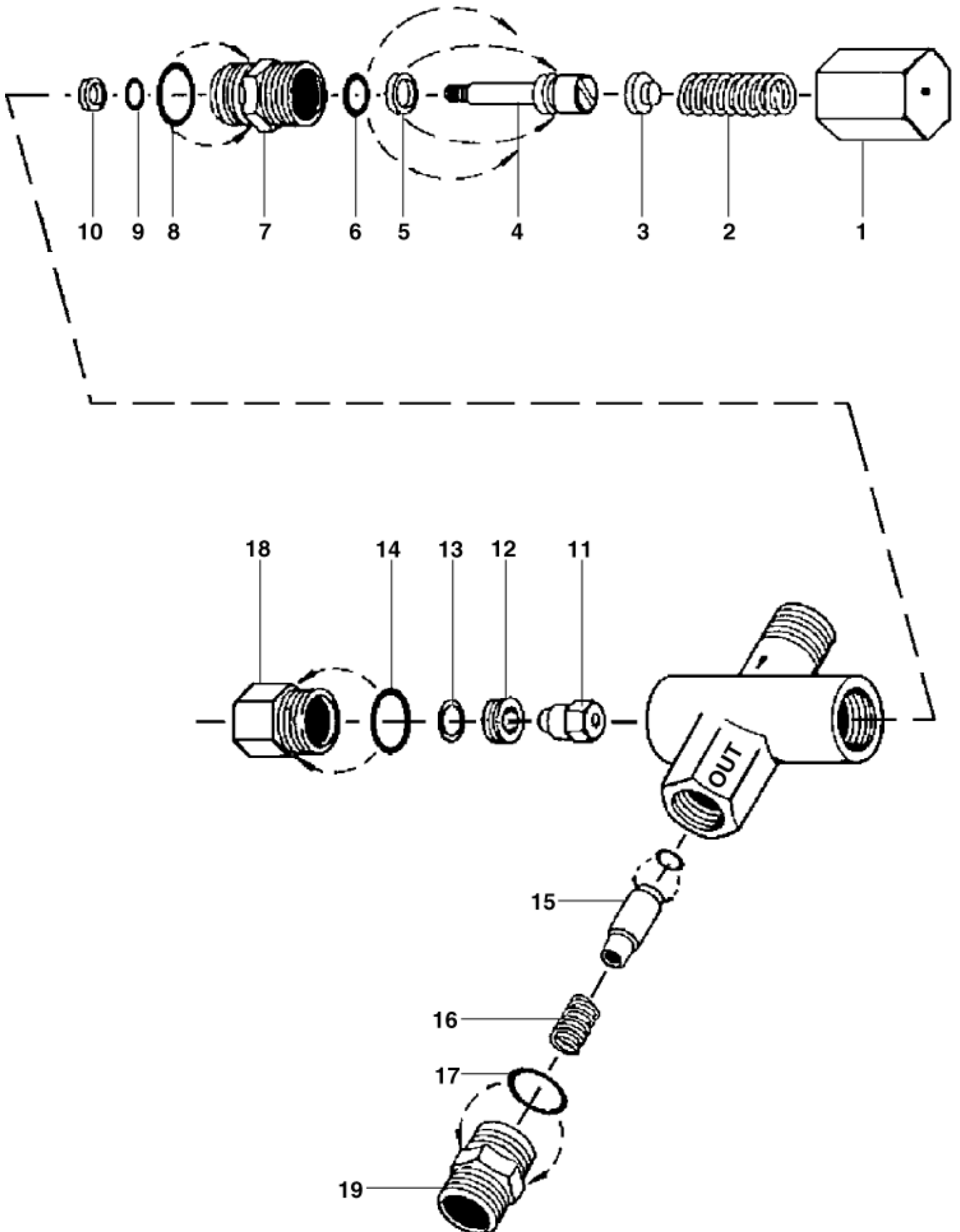
150CP

29-01-2013

Part List ID

150CP06

7



Ersatzteile auf www.gluesing.net

Unloader valve

150CP

29-01-2013

Part List ID
150CP06

8

Pos	Part no.	Qty	Description
-	UV-7500-2000	1	UV-7500-2 SET FOR 2000 PSI
2	CP-32094	1	SUB UV-911-44 SPRING
4	CP-45694	1	PISTON STEM
5	CP-20184	1	BACK UP RING *
6	CP-14190	1	O-RING *
8	CP-13969	1	O-RING *
9	CP-14759	1	O-RING *
11	CP-45696	1	VALVE BALL ASSY .
13	CP-13963	1	O-RING *
14	CP-13969	1	O-RING *
15	8000743	1	CHECK VALVE W. O-RING
16	CP-45924	1	SPRING
17	CP-13969	1	O-RING *
18	CP-45695	1	FITTING BYPASS
20	CP-32097	1	O-RING KIT * INCL.5,6,8,9,10,13,14,17