

POSEIDON 7

Model:

POSEIDON 7-29

POSEIDON 7-52

POSEIDON 7-59

POSEIDON 7-66

POSEIDON 7-66 F/B



Stückliste Deutsch

26-06-2012

Nilfisk
ALTO
works for you

www.nilfisk-alto.com

Ersatzteile auf www.gluesing.net

Inhalt

POSEIDON 7

| | |
|-----------------------------------|-----------|
| Gehäuse | 3 |
| Rahmen | 5 |
| Motor | 7 |
| Pumpe (A) | 10 |
| Pumpe (B) | 13 |
| Schauminjektor | 15 |
| Wasserkasten | 17 |
| Druck-Mengenregulierung | 19 |
| Schaltkasten (a) | 21 |
| Schaltkasten (b) | 23 |
| Schlauchtrommel POSEIDON 7 | 26 |
| Zubehör/ Sonstiges | 28 |
| EMPFOHLENE ERSATZTEILE | 30 |

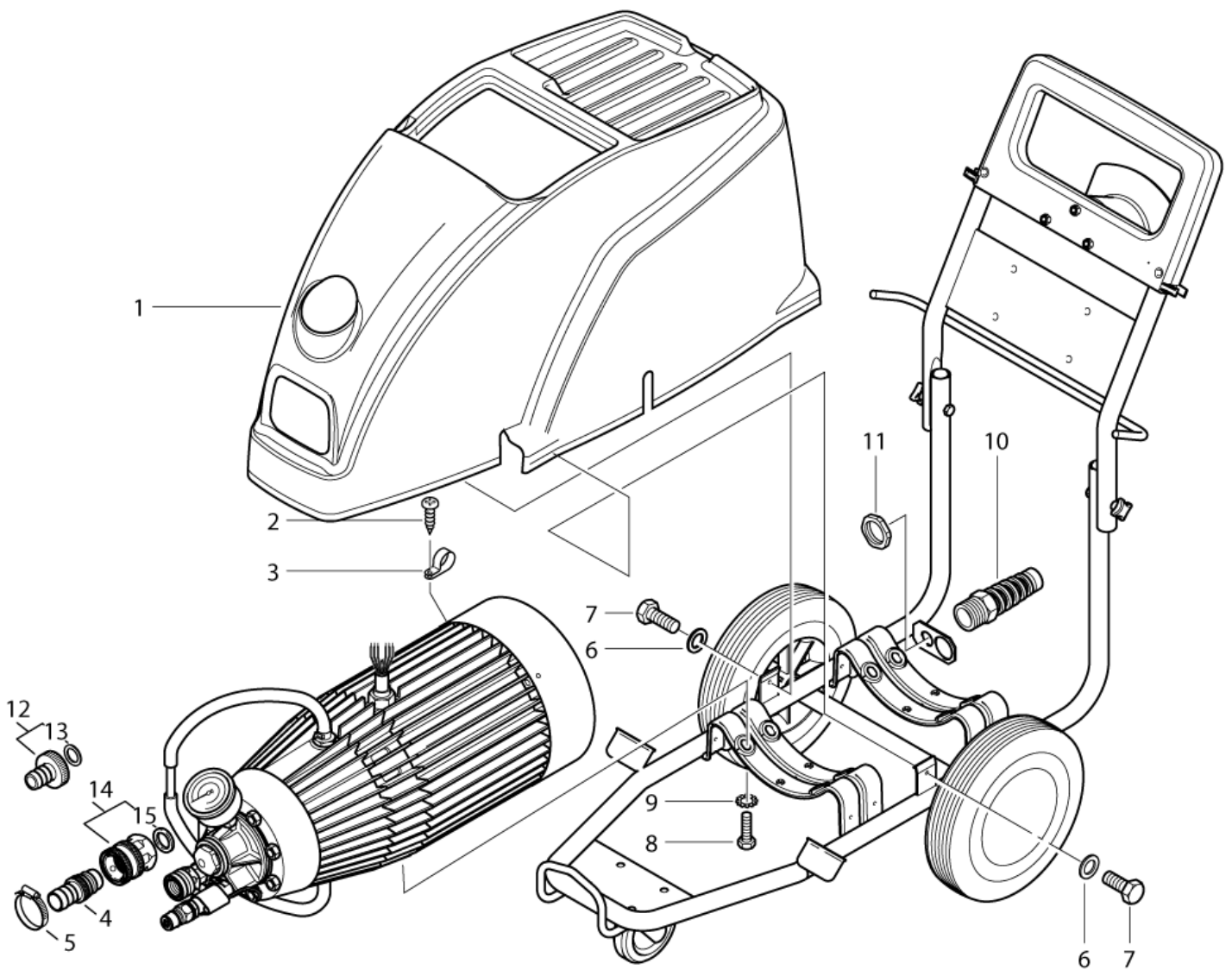
Gehäuse

POSEIDON 7

26-06-2012

ET-Liste-Nr.
POSEIDON701

3



Gehäuse

POSEIDON 7

26-06-2012

ET-Liste-Nr.
POSEIDON/01

4

| Pos | Artikelnr. | Me | Beschreibung | |
|-----|------------|----|---|---------------------------------|
| 1 | 301000258 | 1 | Haube (Blau) | |
| 2 | 1803956 | 1 | Schraube M4x12 | |
| 3 | 4887 | 1 | Kabelschelle 13/15 | |
| 3 | 8295 | 1 | Kabelschelle 15/18 | 7-52, 7-66*JP* |
| 4 | 1600659 | 1 | Nippel, Schnellkupplung | *GB*JP* |
| 4 | 1605955 | 1 | Nippel | 7-52, 7-66*US*CA* |
| 5 | 8298 | 1 | CW Schlauchschelle SGL 16 -27 | |
| 6 | 14805 | 2 | CW Scheibe 6,4x1,6 A ISO 7093-1 VA | 7-52SS, 7-66SS, 7-66F, 7-66FB |
| 6 | 1814617 | 2 | Scheibe 6x15x6 | |
| 7 | 24355 | 2 | CW Zylinderschraube M6x 16 ISO4762 A2 | 7-52SS, 7-66SS, 7-66F, 7-66FB |
| 7 | 6200145 | 2 | Schraube nicht mehr lieferbar | 7-29, 7-52, 7-59, 7-66 |
| 8 | 1802651 | 4 | Schraube M10x20 | |
| 9 | 10204 | 4 | Fächerscheibe A10,5 | |
| 10 | 909100016 | 1 | Kabelverschraubung M32x1 ,5 | 7-52, 7-52SS, 7-66*JP*CA*US* |
| 10 | 909100043 | 1 | Kabelverschraubung M20x1 ,5 | |
| 11 | 909100019 | 1 | CW Sechskantmutter M20x1 ,5 EN 50262 PA | |
| 11 | 909100021 | 1 | HEXAGON NUT M32X1.5 | 7-52, 7-52SS, 7-66*JP*CA*US* |
| 12 | 61369 | 1 | CW Schlauchtülle °20 R3/4 " v ormontiert CuZn | *EXP*EU*DK*BE*NO* 01.02.2005=> |
| 13 | 46487 | 1 | Dichtring 21x29x2,5 | *EXP*EU*DK*BE*NO* 01.02.2005=> |
| 14 | 1602945 | 1 | Kupplung kpl. 3/4" Wasserzulauf | * SEE NOTE |
| 15 | 3001237 | 1 | Dichtring 24,5x16x3 | * SEE NOTE |

* NOTE: *GB*US*JP* *EXP*EU*DK*BE*NO* =>31.01.2005|

Ersatzteile auf www.gluesing.net

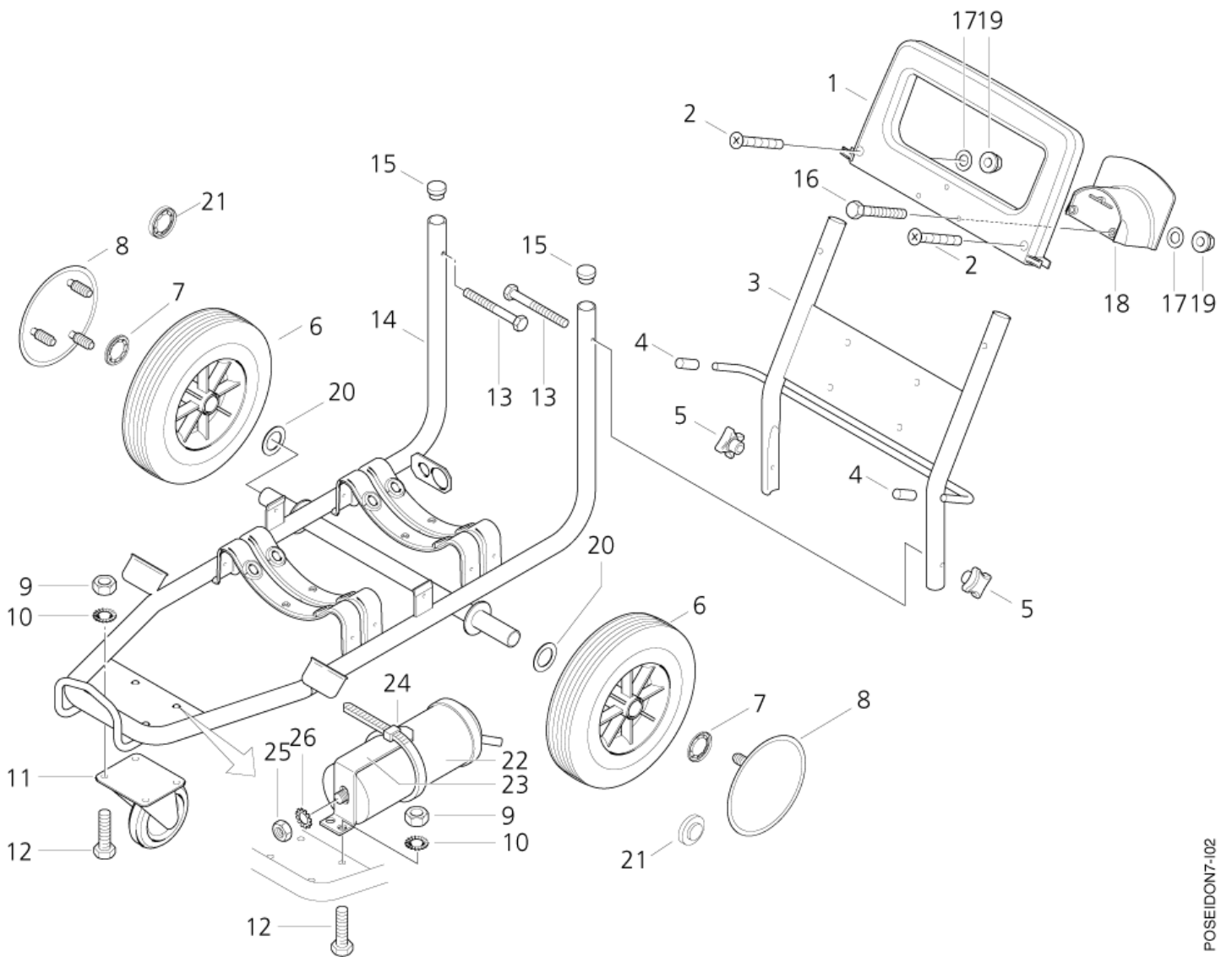
Rahmen

POSEIDON 7

26-06-2012

ET-Liste-Nr.
POSEIDON702

5



POSEIDON7-102

Rahmen

POSEIDON 7

26-06-2012

ET-Liste-Nr.
POSEIDON/02

6

| Pos | Artikelnr. | Me | Beschreibung | |
|-----|------------|----|---|--------------------------------------|
| 1 | 48646 | 1 | Griffschale | |
| 2 | 17737 | 2 | Senkschraube M6x40 | |
| 3 | 301000182 | 1 | Schubbügel | 7-29, 7-52, 7-59, 7-66 |
| 3 | 301000376 | 1 | Schubbügel | 7-52SS, 7-66SS, 7-66F, 7-66FB |
| 4 | 1022 | 2 | Kappe 10/20 | |
| 5 | 909100169 | 2 | Sterngriff M6 | |
| 6 | 2010908 | 2 | Rad | 7-66F, 7-66FB |
| 6 | 301000989 | 2 | Rad Ø250x75 | * SEE NOTE |
| 6 | 46362 | 2 | Rad Ø250x50 | 7-29, 7-52, 7-59, 7-66 =>04.04.2004 |
| 7 | 1813799 | 2 | Federtellerscheibe | 7-29, 7-52, 7-59, 7-66 05.04.2004=> |
| 7 | 1814136 | 2 | Klemmring Ø25 | 7-52SS, 7-66SS, 7-66F, 7-66FB |
| 7 | 46363 | 2 | Klemmring Ø25 | 7-29, 7-52, 7-59, 7-66 =>04.04.2004 |
| 8 | 301001076 | 2 | Radkappe Ø180 | * SEE NOTE |
| 8 | 44660 | 2 | Radkappe Ø156 | 7-29, 7-52, 7-59, 7-66 =>04.04.2004 |
| 9 | 20908 | 4 | CW Sechskantmutter M8 ISO 4032 VA | 7-52SS, 7-66SS, 7-66F, 7-66FB |
| 9 | 2758 | 4 | CW Sechskantmutter M8 ISO 4032 zn | 7-29, 7-52, 7-59, 7-66 |
| 10 | 14648 | 4 | CW Scheibe 8,4x1,6 ISO 7090 A2 | 7-52SS, 7-66SS, 7-66F, 7-66FB |
| 10 | 2803 | 4 | Zahnscheibe 8,2 | 7-29, 7-52, 7-59, 7-66 |
| 11 | 2010916 | 1 | Rad | 7-66F, 7-66FB |
| 11 | 46361 | 1 | Lenkrolle Ø100 | |
| 12 | 19810 | 4 | CW Sechskantschraube M8x 16 ISO 4017 VA | 7-52SS, 7-66SS, 7-66F, 7-66FB |
| 12 | 6557 | 4 | Sechskantschraube M8x16 | 7-29, 7-52, 7-59, 7-66 |
| 13 | 909100042 | 2 | Sechskantschraube M6x55 Gerändelt | 7-29, 7-52, 7-59, 7-66 |
| 13 | 909100072 | 2 | Sechskantschraube M6x55 Gerändelt A2 | 7-52SS, 7-66SS, 7-66F, 7-66FB |
| 14 | 301000177 | 1 | Grundrahmen | 7-29, 7-52, 7-59, 7-66 |
| 14 | 301000338 | 1 | Grundrahmen VA | 7-52SS, 7-66SS, 7-66F, 7-66FB |
| 15 | 58406 | 2 | Stopfen Ø26/20x13,5 | |
| 16 | 1814634 | 3 | Schraube M6 x 50 | |
| 17 | 17849 | 3 | CW Scheibe 6,4x1,6 ISO 7090 A2 | |
| 18 | 43064 | 1 | Schlauchhalter SB Stat.PP | |
| 19 | 12496 | 3 | Sechskantmutter M6 | 7-29, 7-52, 7-59, 7-66 |
| 19 | 17848 | 3 | Sechskantmutter M6 | 7-52SS, 7-66SS, 7-66F, 7-66FB |
| 20 | 301000381 | 2 | Scheibe Ø26,3xØ40x5 | 7-66F, 7-66FB |
| 21 | 6102614 | 2 | Radkappe Kpl. | 7-66F, 7-66FB |
| 22 | 301000415 | 1 | Betriebskondensator 80µF /420V | 7-29, 7-52, 7-52SS=2x |
| 23 | 301000391 | 1 | BRACKET 122X73X30 | 7-29, 7-52=2x |
| 23 | 301001661 | 2 | BRACKET 3X122X30X73 | 7-52SS US* |
| 24 | 8819 | 1 | CW Kabelband 4,5x1,0x350 natur PA | 7-29, 7-52, 7-52SS=2x |
| 25 | 1810068 | 2 | Mutter | 7-52SS |
| 25 | 2761 | 1 | CW Sechskantmutter M12 ISO 4032 zn | 7-29, 7-52=2x |
| 26 | 8954 | 1 | Zahnscheibe 12,5 | 7-29, 7-52=2x |
| 26 | 909100351 | 2 | Zahnfederscheibe D13 | 7-52SS |

* NOTE: 7-29, 7-52, 7-52SS, 7-59, 7-66, 7-66SS |05.04.2004=>

Ersatzteile auf www.gluesing.net

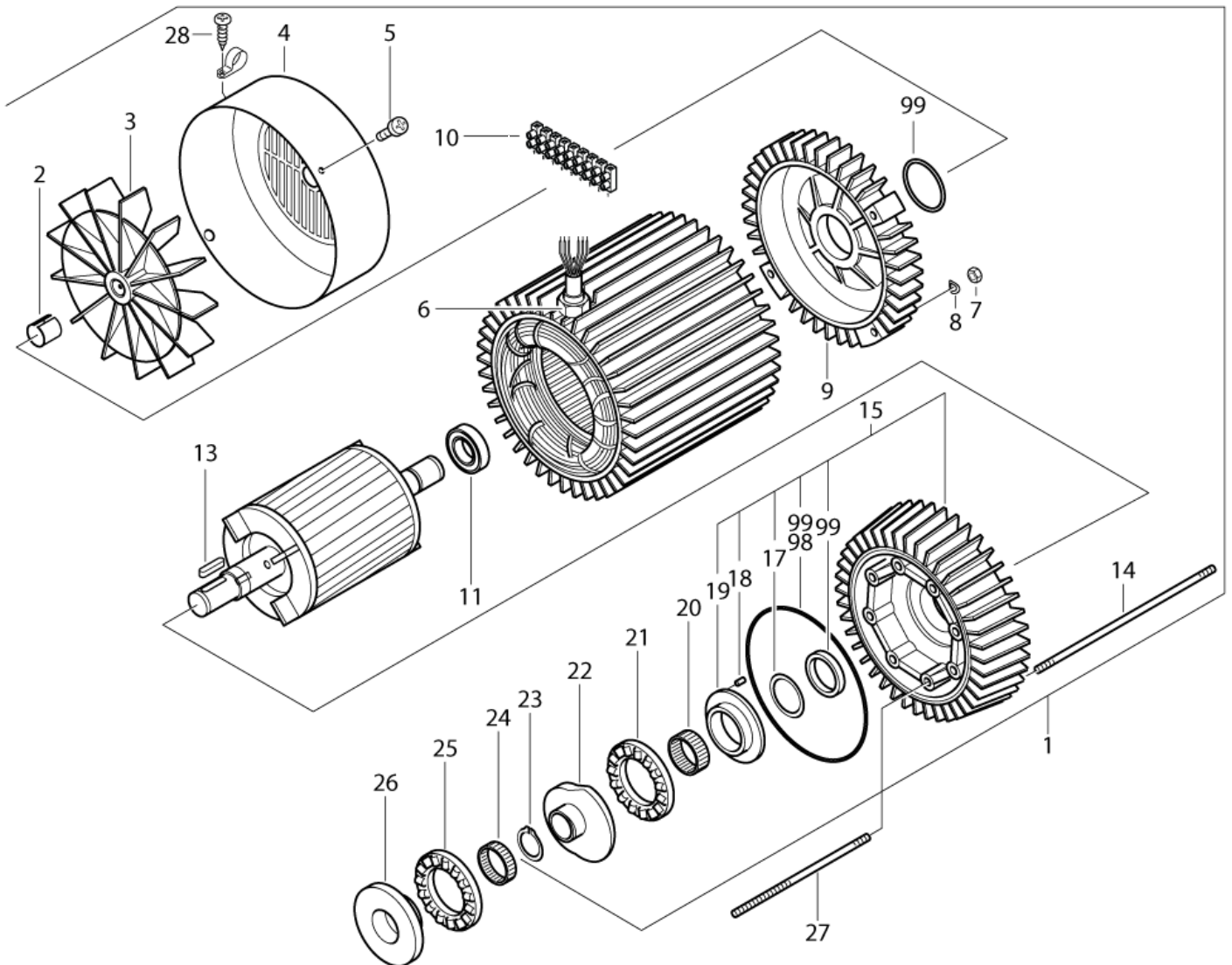
Motor

POSEIDON 7

26-06-2012

ET-Liste-Nr.
POSEIDON705

7



Motor POSEIDON 7

26-06-2012

ET-Liste-Nr.
POSEIDON/05

8

| Pos | Artikelnr. | Me | Beschreibung | |
|-----|------------|----|---|--|
| 0 | 107120000 | 1 | Pumpenaggr. 400-230/3/50 | 400-230/3/ 50,60Hz |
| 0 | 107120010 | 1 | Pumpenaggr. F-SL Poseidon 400-230/3/50/60 | 400-230/3/ 50,60Hz, F,FB |
| 1 | 107120750 | 1 | Motor 6,5kW/400-415/230/ 3 | 7-66*EU*BE*NO*DK*,7-66F, 7-66FB, DISC NO.12 |
| 1 | 107120751 | 1 | Motor 6,5kW/440-220/3 | 7-66*US*EXP*, 7-66SS, DISC NO. 6 |
| 1 | 107120752 | 1 | MOTOR 6.5KW 200 3 50 | 7-66*JP,50HZ*, DISC NO. 12 |
| 1 | 107120753 | 1 | MOTOR 6.5KW 200 3 60 | 7-66*JP,60HZ*, DISC NO. 6 |
| 1 | 107120754 | 1 | MOTOR 6.5KW 575 3 60 | 7-66*CA*,WITH WOBBLE DISC NO. 6 |
| 1 | 107120755 | 1 | Motor 5,5kW/400-415/230/ 3/50 | 7-59, WITH WOBBLE DISC NO. 11 |
| 1 | 107120757 | 1 | MOTOR 5.0KW 208 230 1 60 | 7-52, 7-52SS,WITH WOBBLE DISC NO. 4 |
| 1 | 107120758 | 1 | MOTOR 2.1KW 230 1 50 | 7-29,WITH WOBBLE DISC NO. 1 |
| 2 | 1802503 | 1 | Sicherungshülse | |
| 3 | 6100605 | 1 | Ventilator | |
| 4 | 6100609 | 1 | Deckel | |
| 5 | 101814693 | 2 | Schraube M4x8 | |
| 6 | 107302152 | 1 | Verschraubung G1*AG/G3/4 " | |
| 7 | 2758 | 4 | CW Sechskantmutter M8 ISO 4032 zn | |
| 8 | 1801182 | 4 | Federring 8,1 | |
| 9 | 107140617 | 1 | Lagerabdeckung | From week 32/09 (EME) |
| 9 | 6100611 | 1 | N-Lagerdeckel | Up to week 32/09 (ATB) |
| 10 | 101117839 | 1 | TERMINAL PLUG AND TERMINAL PINS | |
| 11 | 3200623 | 1 | N-Lager | |
| 13 | 3200672 | 1 | Passfeder 6x6x32 | |
| 14 | 6100711 | 4 | Stehbolzen L261mm | 7-29, 7-59 |
| 14 | 6100712 | 4 | Stehbolzen L306mm | 7-52, 7-52SS, 7-66, 7-66F, 7-66FB,7-66SS |
| 15 | 107140615 | 1 | Lagerabdeckung, v orn | From week 32/09 (EME) - TSB-PPW-2011-013 C3 Pump i |
| 15 | 6101750 | 1 | D-Lagerdeckel Kompl. | Up to week 32/09 (ATB) - TSB-PPW-2011-013 C3 Pump |
| 17 | 6100995 | 1 | Scheibe 53x40,5x1,25 | |
| 18 | 6100996 | 1 | Kegelstift | |
| 19 | 107120703 | 1 | Lagerscheibe Motorseitig | |
| 20 | 3200656 | 1 | Nadellager K40x45x17 | |
| 21 | 3200615 | 1 | Axialrollenlager | |
| 22 | 107120705 | 1 | Taumelscheibe No.1 | 7-29 |
| 22 | 107120708 | 1 | Taumelscheibe No.4 | 7-52, 7-52SS |
| 22 | 107120710 | 1 | Taumelscheibe No.6 | 7-66*EXP*US*JP,60HZ*,7-66SS |
| 22 | 107120715 | 1 | Taumelscheibe No.11 | 7-59 |
| 22 | 107120716 | 1 | Taumelscheibe No.12 | 7-66*EU*BE*NO*DK*JP,50HZ*, 7-66F, 7-66FB |
| 23 | 1802511 | 1 | Sicherungsring 28x1,2 | |
| 24 | 3200664 | 1 | Nadellager K40x45x13A | |
| 25 | 3200615 | 1 | Axialrollenlager | |
| 26 | 107120704 | 1 | Lagerscheibe Pumpenseiti g | |
| 27 | 6301368 | 8 | Stehbolzen | |
| 28 | 1803956 | 1 | Schraube M4x12 | |
| 98 | 1119820 | 1 | Reparatursatz Öldichtung | |

Motor

POSEIDON 7

26-06-2012

ET-Liste-Nr.
POSEIDON/05

9

| Pos | Artikelnr. | Me | Beschreibung |
|-----|------------|----|--------------|
|-----|------------|----|--------------|

| | | | |
|----|---------|---|-----------|
| 99 | 1119570 | 1 | Dichtsatz |
|----|---------|---|-----------|

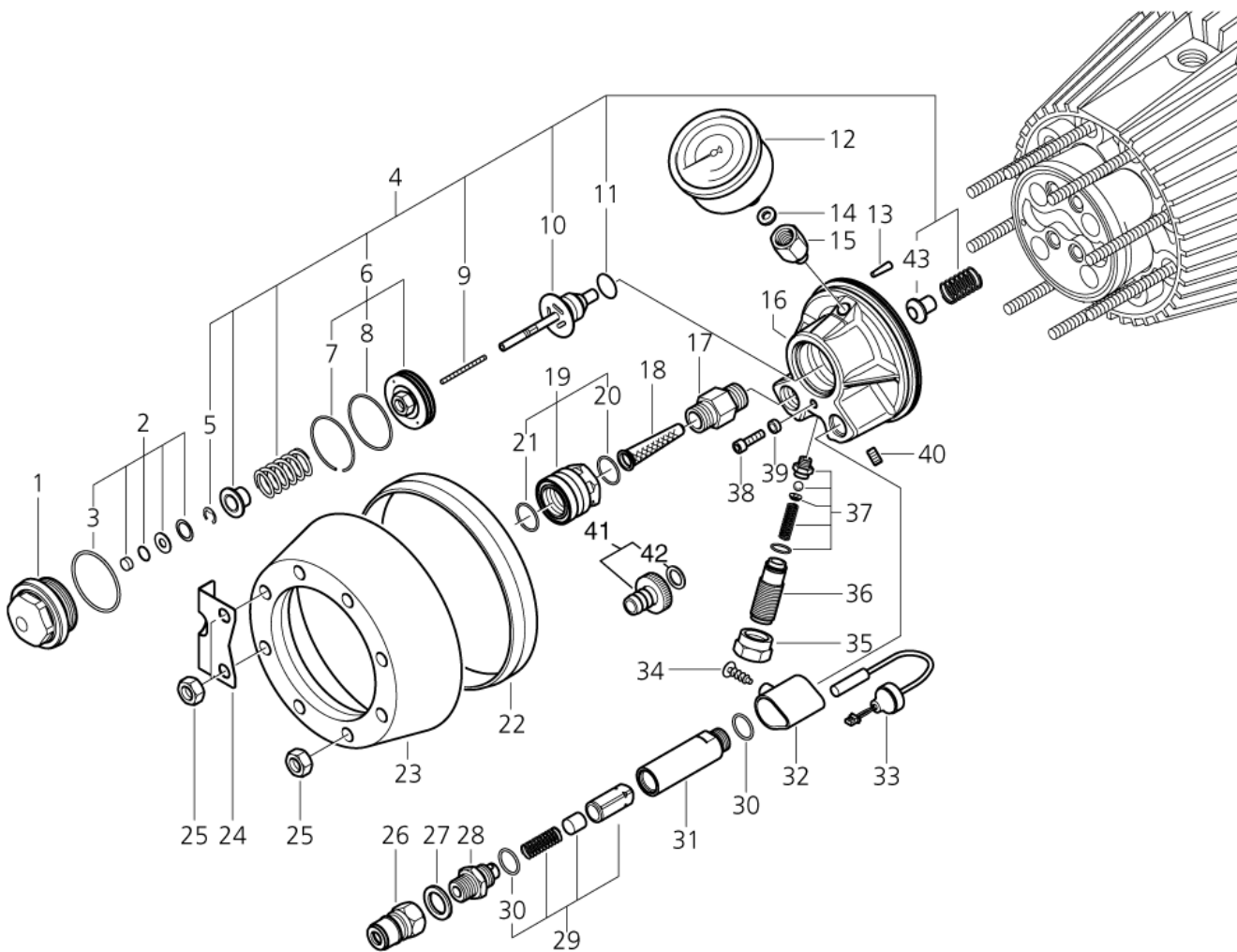
Pumpe (A)

POSEIDON 7

26-06-2012

ET-Liste-Nr.
POSEIDON703

10



Ersatzteile auf www.gluesing.net

Pumpe (A)

POSEIDON 7

26-06-2012

ET-Liste-Nr.
POSEIDON /03

11

| Pos | Artikelnr. | Me | Beschreibung | |
|-----|------------|----|------------------------------------|--|
| 1 | 107120500 | 1 | Stopfen G1 1/4"/Ø54x35 | |
| 2 | 101119410 | 1 | Reparaturatz Dichtungen | |
| 3 | 3001179 | 1 | O-Ring Ø39,6x2,4 | |
| 4 | 101119413 | 1 | Reparaturatz Umlaufventil *UK* | 7-29 |
| 4 | 1118580 | 1 | Reparaturatz Umlaufventil | |
| 5 | 6101069 | 1 | Sicherungsscheibe | |
| 6 | 107120567 | 1 | Kolben f. By-Pass-Ventil | 7-29 |
| 6 | 6100925 | 1 | Kolben | |
| 7 | 6101061 | 1 | Kolbenring | |
| 8 | 3001716 | 1 | O-Ring Ø35,1x1,6 | |
| 9 | 2600286 | 1 | Feder | |
| 10 | 6400143 | 1 | Ventilkegel | |
| 11 | 6441 | 1 | O-Ring Ø11x2 | |
| 12 | 3601262 | 1 | Manometer 0-300 bar | |
| 13 | 6100996 | 1 | Kegelstift | |
| 14 | 1602127 | 1 | Ring Ø6/11x4,5 | |
| 15 | 107120603 | 1 | Nippel R1/8"x18 | |
| 16 | 6101042 | 1 | Ventildeckel | |
| 17 | 107120600 | 1 | Filtergehäuse | |
| 18 | 6100941 | 1 | Filter | |
| 19 | 1602945 | 1 | Kupplung kpl. 3/4" Wasserzulauf | *GB*US*JP* *EXP*EU*DK*BE*NO* =>31.01.2005] |
| 20 | 3001237 | 1 | Dichtring 24,5x16x3 | *GB*US*JP* *EXP*EU*DK*BE*NO* =>31.01.2005] |
| 21 | 3000320 | 1 | O-Ring Ø20x3 | *GB*US*JP* *EXP*EU*DK*BE*NO* =>31.01.2005] |
| 22 | 6301392 | 1 | Abstandsring | |
| 23 | 6100602 | 1 | Spannring | |
| 24 | 107120609 | 1 | Halter | |
| 25 | 4826 | 8 | CW Sechskantmutter M10 ISO 4032 zn | |
| 26 | 1600493 | 1 | Nippel 3/8", Schnellkupplung | 7-29, 7-52, 7-59, 7-66 |
| 26 | 1603101 | 1 | Nippel Schnellkupplung "03KR" RF | 7-52SS, 7-66SS, 7-66F, 7-66FB |
| 27 | 1801075 | 1 | Dichtring Ø23,8xØ17,2x2 | |
| 28 | 107120504 | 1 | Nippel 3/8"/SW22x39 | |
| 29 | 101119411 | 1 | Reparaturatz Steuerkolben | |
| 30 | 3000064 | 2 | O-Ring Ø14,1x1,6 | |
| 31 | 107120501 | 1 | Gehäuse Magnetschalter | |
| 32 | 62399 | 1 | Halter | |
| 33 | 103821821 | 1 | Rohrmagnetschalter L700 | |
| 34 | 1814614 | 1 | Schraube 5x18 | |
| 35 | 6100928 | 1 | Gegenmutter | |
| 36 | 6100940 | 1 | Justierschraube | |
| 37 | 1118512 | 1 | Reparaturatz Sicherheitsventil | |
| 38 | 3913 | 1 | Zylinderschraube M6x12 | |
| 39 | 6100985 | 1 | Sicherungsscheibe | |
| 40 | 1602333 | 1 | Verschlussschraube G1/8 | |

Pumpe (A)

POSEIDON 7

26-06-2012

ET-Liste-Nr.
POSEIDON /03

12

| Pos | Artikelnr. | Me | Beschreibung | |
|-----|------------|----|--|---------------------------------|
| 41 | 61369 | 1 | CW Schlauchtülle °20 R3/4 " vormontiert CuZn | *EXP*EU*DK*BE*NO* 01.02.2005=> |
| 42 | 46487 | 1 | Dichtring 21x29x2,5 | *EXP*EU*DK*BE*NO* 01.02.2005=> |
| 43 | 6100915 | 1 | Ventilkegel f. Ruecklauf - ventil | |

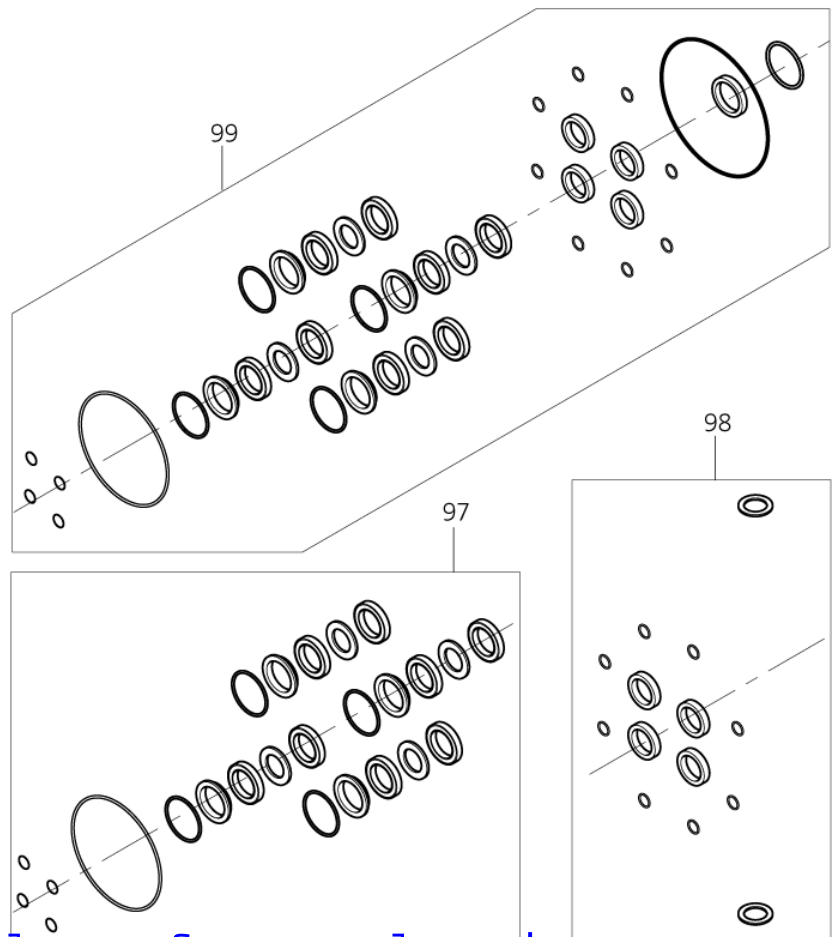
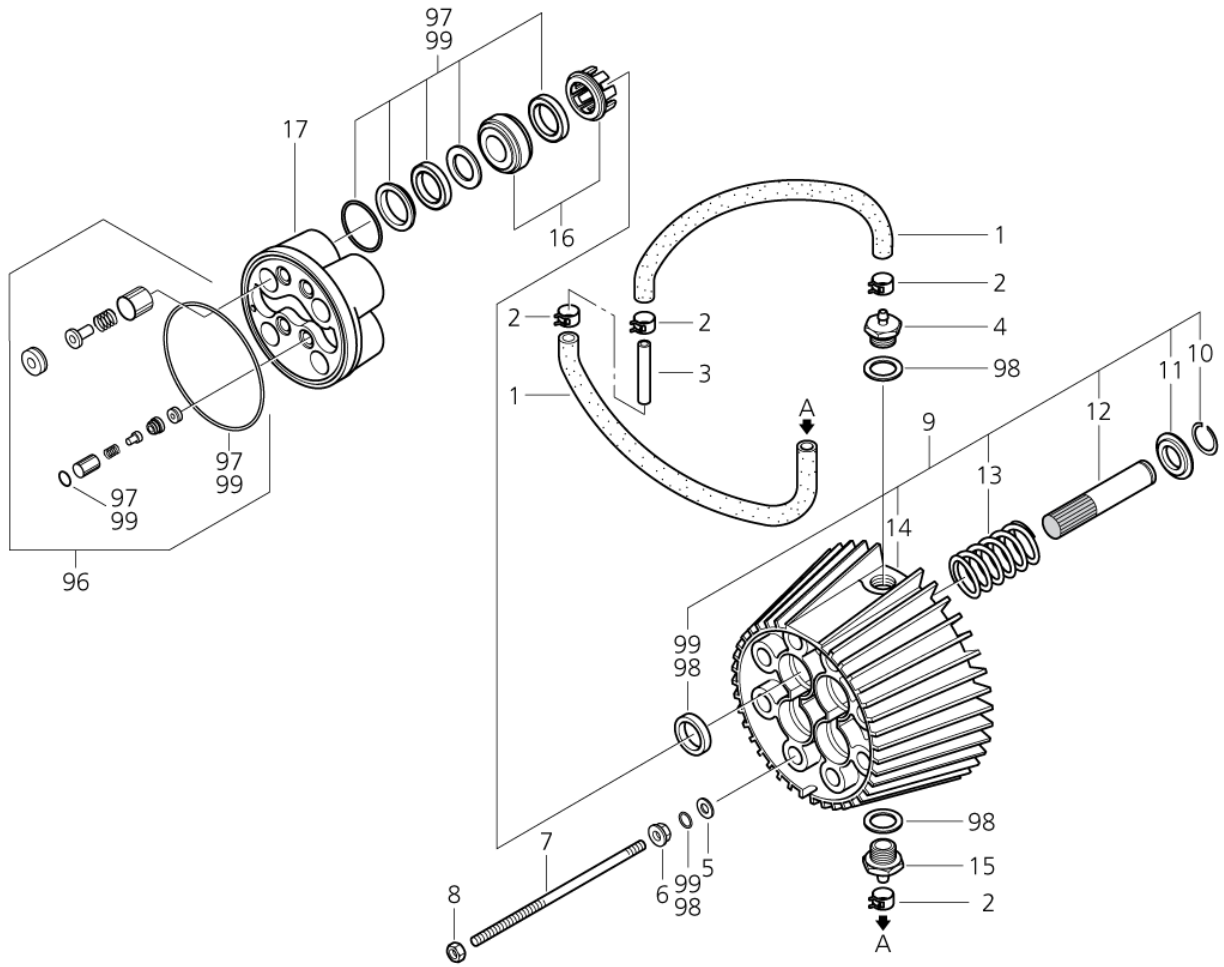
Pumpe (B)

POSEIDON 7

26-06-2012

ET-Liste-Nr.
POSEIDON704

13



Pumpe (B)

POSEIDON 7

26-06-2012

ET-Liste-Nr.
POSEIDON /04

14

| Pos | Artikelnr. | Me | Beschreibung | |
|-----|------------|----|--------------------------------------|---------------------------|
| - | 5218433 | 1 | Pumpenöl 150 1x1l | 0,5l |
| 1 | 5226220 | 1 | Schlauch Ø6x2,5 MEWA | * SEE NOTE |
| 2 | 1814679 | 4 | Schlauchklammer Ø12 | |
| 3 | 102406545 | 1 | Rohr 8x1x65 | |
| 4 | 107120313 | 1 | Schlauchtülle Ø6/R1/2" | |
| 5 | 6100718 | 8 | Scheibe 10x16x1 | |
| 6 | 6100719 | 8 | Druckring | |
| 7 | 6301368 | 8 | Stehbolzen | |
| 8 | 4826 | 8 | CW Sechskantmutter M10 ISO 4032 zn | |
| 9 | 6300071 | 1 | Zylinderblock Kompl. | - |
| 10 | 1802529 | 4 | Sicherungsring Ø24 | |
| 11 | 6100666 | 4 | Ring | |
| 12 | 6301166 | 4 | Keramischer Druckkolben | |
| 13 | 102602517 | 4 | Zugfeder 4,3x41x61,5 | |
| 14 | 6100610 | 1 | Zylinderblock | |
| 15 | 107120314 | 1 | Schlauchtülle Ø6/R3/8" | |
| 16 | 107120700 | 4 | Druckring+Stützring | |
| 17 | 107120701 | 1 | Zylinderkopf C3 | |
| 96 | 101119848 | 1 | Ventilsatz Ein-/Auslass | ONLY FOR UK - FOR CLORINE |
| 96 | 1119195 | 1 | Reparatursatz Ein-Auslass-Ventilsyst | |
| 96 | 1119310 | 1 | ET-Set Ventile [4x] | 7-29 |
| 97 | 1119571 | 1 | Dichsatz | |
| 98 | 1119820 | 1 | Reparatursatz Öldichtung | |
| 99 | 1119570 | 1 | Dichsatz | |

* NOTE: PLEASE INDICATE LENGTHS IN METRES WHEN ORDERING

Ersatzteile auf www.gluesing.net

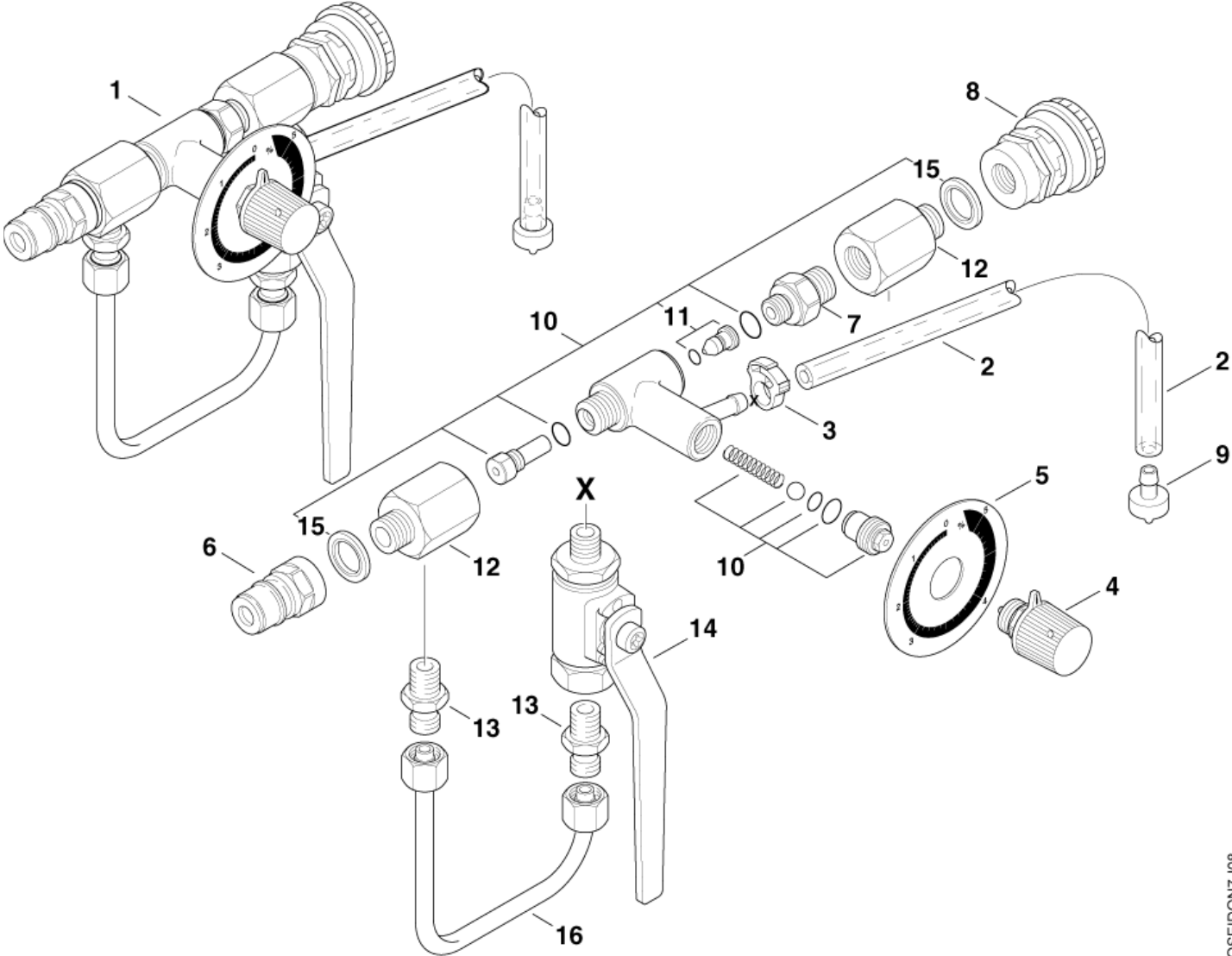
Schauminjektor

POSEIDON 7

26-06-2012

ET-Liste-Nr.
POSEIDON708

15



POSEIDON7-108

Ersatzteile auf www.gluesing.net

Schauminjektor

POSEIDON 7

26-06-2012

ET-Liste-Nr.
POSEIDON /08

16

| Pos | Artikelnr. | Me | Beschreibung | |
|-----|------------|----|---------------------------------------|------------|
| 1 | 6401243 | 1 | Schauminjektor m.Umlauf RF | SS |
| 2 | 5206636 | 1 | Schlauch Ø6/Ø10 | * SEE NOTE |
| 3 | 1810084 | 1 | Schlauchschelle Ø10,8-12 ,3 | |
| 4 | 6101778 | 1 | Dosierungsspindel | |
| 5 | 6400363 | 1 | Skalenplatte | |
| 6 | 1603101 | 1 | Nippel Schnellkupplung "03KR" RF | |
| 7 | 6150675 | 1 | Verschraubung | |
| 8 | 106402075 | 1 | Schnellkupplung kpl. "KEW - ERGO3000" | |
| 9 | 6400240 | 1 | Filter | |
| 10 | 1119107 | 1 | Reparatursatz Schauminjektor | |
| 11 | 1119815 | 1 | Reparatursatz Düse m.O-Ring | |
| 12 | 6401744 | 2 | Reduzierstück | |
| 13 | 6401891 | 2 | Gerade Verschraubung, RF | SS |
| 14 | 3401916 | 1 | Hydroball-Ventil | |
| 15 | 1801075 | 2 | Dichtring Ø23,8xØ17,2x2 | |
| 16 | 4841130 | 1 | By-Pass Rohr | |

* NOTE: PLEASE INDICATE LENGTHS IN METRES WHEN ORDERING

Ersatzteile auf www.gluesing.net

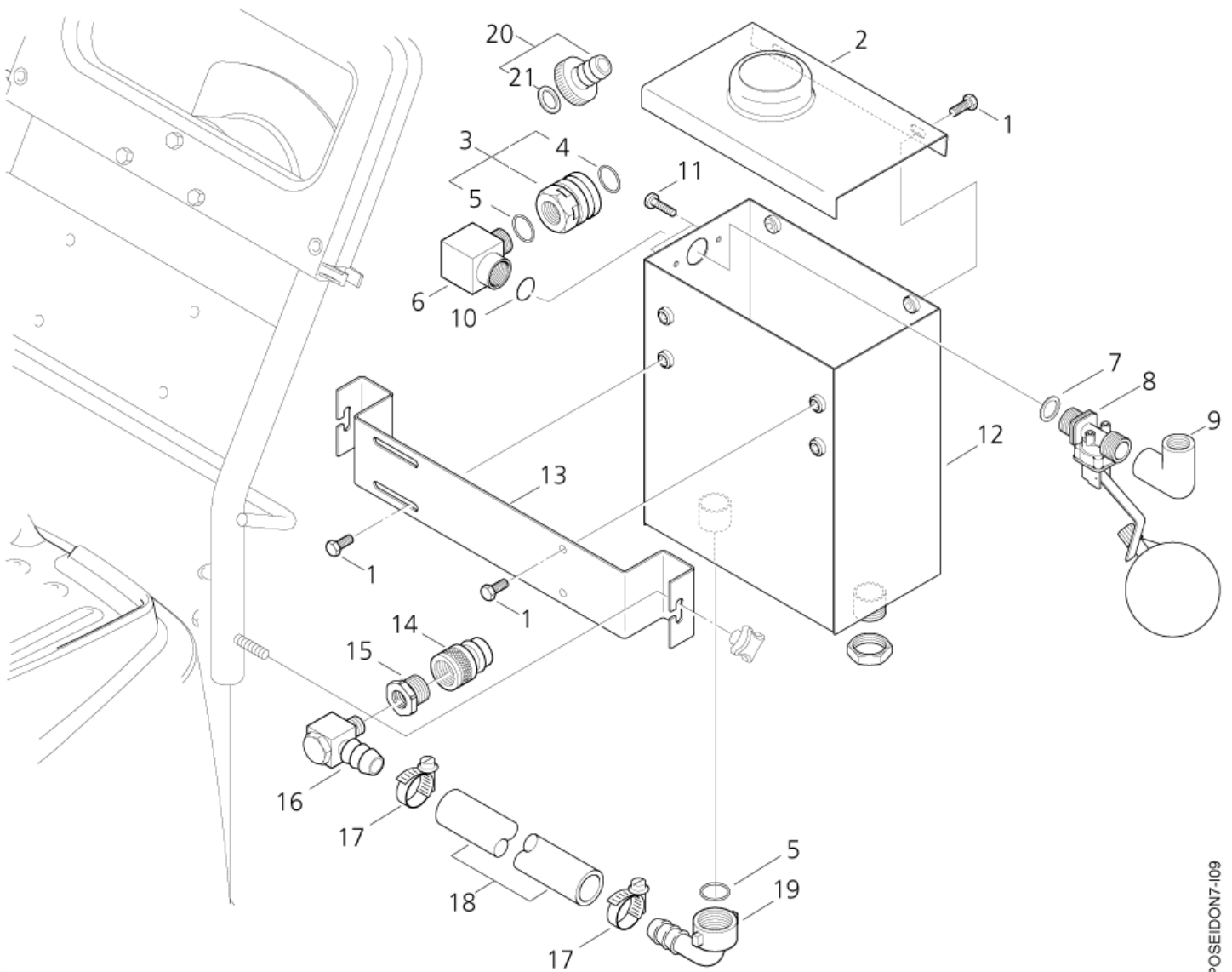
Wasserkasten

POSEIDON 7

26-06-2012

ET-Liste-Nr.
POSEIDON709

17



POSEIDON7-109

Wasserkasten

POSEIDON 7

26-06-2012

ET-Liste-Nr.
POSEIDON / 09

18

| Pos | Artikelnr. | Me | Beschreibung | |
|-----|------------|----|--|----------------------|
| 1 | 8917 | 2 | CW Sechskantschraube M6x 12 ISO 4017 zn | 7-66FB |
| 2 | 6100183 | 1 | Abdeckungen Wasserkasten | 7-66FB |
| 3 | 1602945 | 1 | Kupplung kpl. 3/4" Wasserzulauf | 7-66FB =>31.01.2005 |
| 4 | 3000320 | 1 | O-Ring Ø20x3 | 7-66FB =>31.01.2005 |
| 5 | 3001237 | 2 | Dichtring 24,5x16x3 | 7-66FB |
| 6 | 101609351 | 1 | Bogen | 7-66FB |
| 7 | 3001724 | 1 | Dichtung 20x26x1 | 7-66FB |
| 8 | 1117035 | 1 | Schwimmerventil 3/4x1/2" | 7-66FB |
| 9 | 1605971 | 1 | Schlauchtülle Ø13 Winkel 90° | 7-66FB |
| 10 | 3000684 | 1 | O-Ring Ø18,77x1,78 | 7-66FB |
| 11 | 1802891 | 2 | Schraube M4x12 | 7-66FB |
| 12 | 6100164 | 1 | Wasserkasten | 7-66FB |
| 13 | 106100218 | 1 | Halterung | 7-66FB |
| 14 | 1602796 | 1 | Nippel Schnellkupplung | 7-66FB |
| 15 | 1603069 | 1 | SOCKET 1/2-3/4 | 7-66FB |
| 16 | 6101752 | 1 | Winkelschraubung 16mm /1/2" | 7-66FB |
| 17 | 8289 | 2 | Verschraubung XGR12/10L | 7-66FB |
| 18 | 5206487 | 1 | Schlauch 5/8 MeWa mit Gewebe PVC | 7-66FB - * SEE NOTE |
| 19 | 20600 | 1 | Schlauchtülle Ø13/R3/4 | 7-66FB |
| 20 | 61369 | 1 | CW Schlauchtülle °20 R3/4 " vormontiert CuZn | 7-66FB 01.02.2005=> |
| 21 | 46487 | 1 | Dichtring 21x29x2,5 | 7-66FB 01.02.2005=> |
| 99 | 106101612 | 1 | Wasservorlaufbehälter "Poseidon" ET-VPE | 7-66FB |

* NOTE: PLEASE INDICATE LENGTHS IN METRES WHEN ORDERING

Ersatzteile auf www.gluesing.net

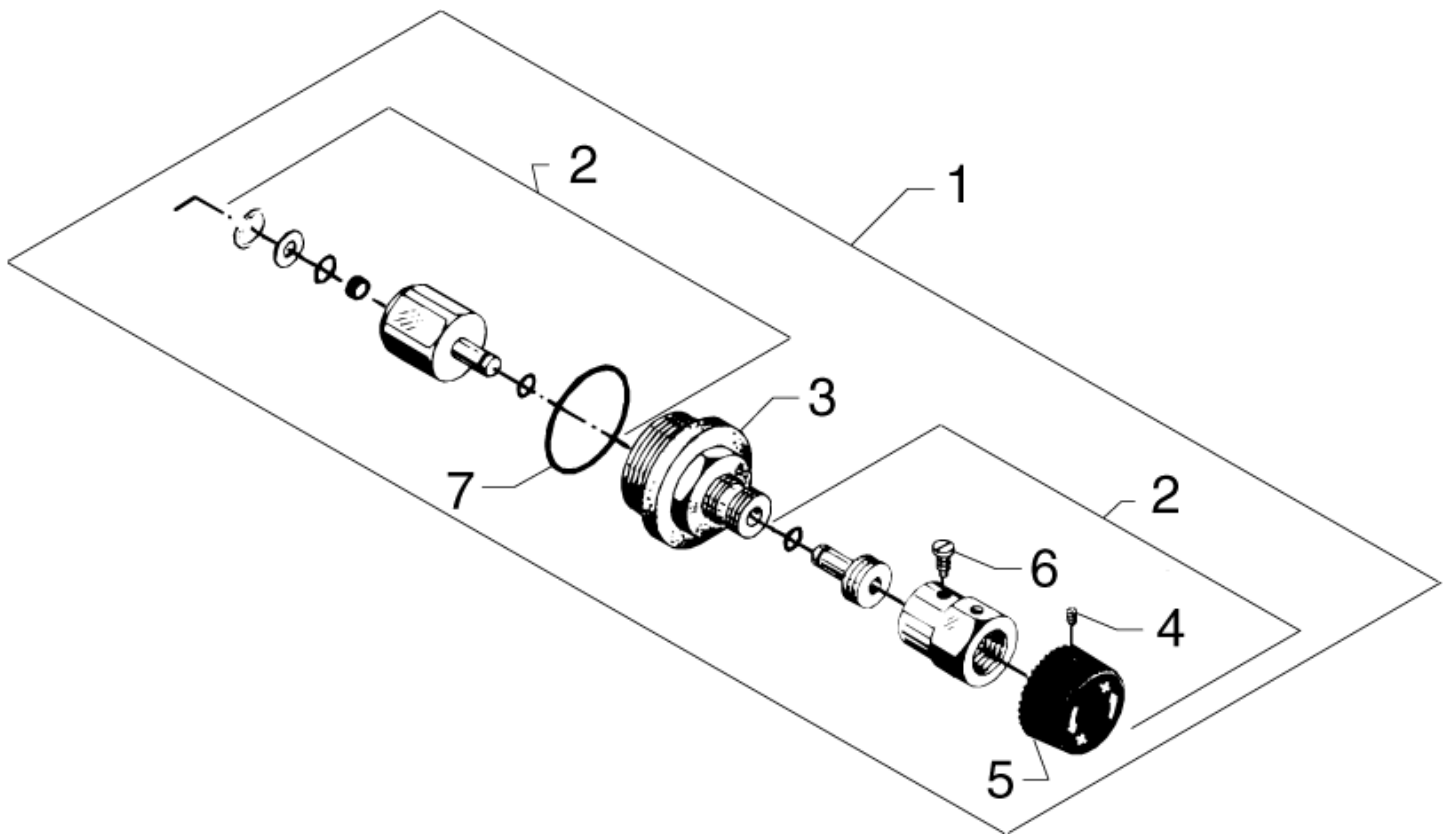
Druck-Mengenregulierung

POSEIDON 7

26-06-2012

ET-Liste-Nr.
POS7ACC01

19



Ersatzteile auf www.gluesing.net

Druck-Mengenregulierung

POSEIDON 7

26-06-2012

ET-Liste-Nr.
POS/ACC01

20

| Pos | Artikelnr. | Me | Beschreibung |
|-----|------------|----|---------------------------------------|
| 1 | 101119415 | 1 | Nachrüstsatz Druckmengen- regulierung |
| 2 | 1118538 | 1 | Reparaturatz Regelventil |
| 3 | 6100984 | 1 | Buchse f. Justierspindel |
| 4 | 1802602 | 1 | Schraube M4x 6 |
| 5 | 6100991 | 1 | Griff NV27 |
| 6 | 6100980 | 1 | Anschlagschraube f. Justi er. |
| 7 | 3001179 | 1 | O-Ring Ø39,6x2,4 |
| 2A | 1802610 | 1 | Seegerring |

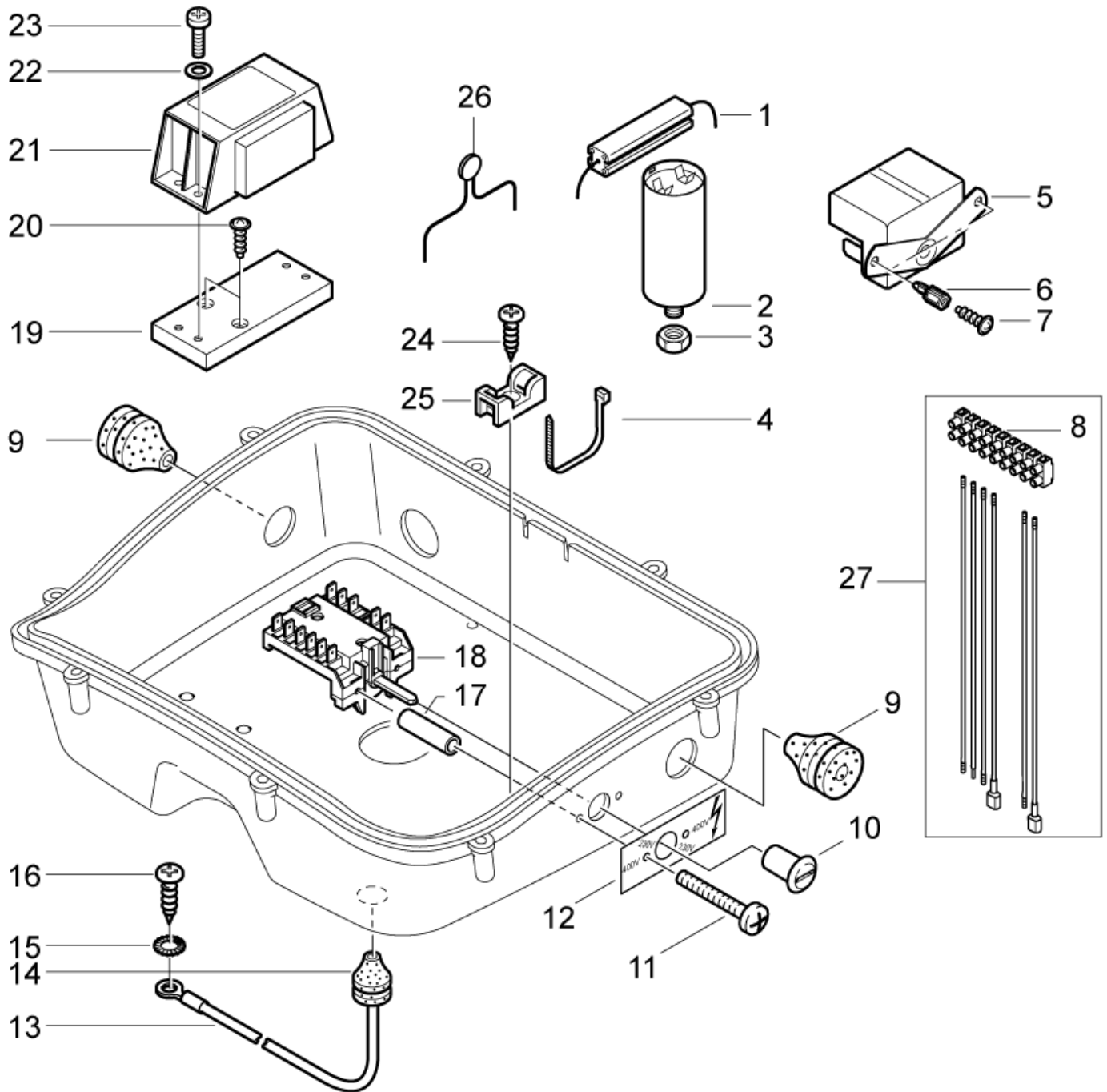
Schaltkasten (a)

POSEIDON 7

26-06-2012

ET-Liste-Nr.
POSEIDON706

21



Schaltkasten (a)

POSEIDON 7

26-06-2012

ET-Liste-Nr.
POSEIDON /06

22

| Pos | Artikelnr. | Me | Beschreibung | |
|-----|------------|----|--|---|
| 1 | 301000402 | 1 | Widerstand 15kOhm/7W | 7-29 |
| 2 | 301000403 | 1 | Anlaufkondensator 98µF 33 0V | 7-29 |
| 3 | 61467 | 1 | Sechskantmutter M8 "TENS ILOCK" St-zn | 7-29 |
| 4 | 4059 | 5 | CW Kabelband 3,6x1,1x110 natur PA | |
| 5 | 11060 | 1 | Anlassrelais 220V AC | 7-29 |
| 6 | 4600771 | 1 | Distanzhalter 9,5mm | 7-29 |
| 7 | 1813823 | 2 | Schraube 3,5x8 | 7-29 |
| 8 | 101117839 | 1 | TERMINAL PLUG AND TERMINAL PINS | |
| 9 | 3803764 | 2 | Stopfbuchse TET 5-7C | 7-29, 7-52, 7-52SS |
| 10 | 64580 | 1 | Drehknopf | 7-59*BE*NO*, 7-66*BE*NO*EXP*US*, 7-66SS |
| 11 | 40045 | 2 | Flachkopfschraube M4x30 | 7-59*BE*NO*, 7-66*BE*NO*EXP*US*, 7-66SS |
| 12 | 64586 | 1 | Klebeschild "230-400V Um schaltung" | 7-59*BE*NO*, 7-66*BE*NO* |
| 12 | 64787 | 1 | Etikett | 7-66*EXP*US*, 7-66SS |
| 13 | 301000237 | 1 | Leitung gnge H05V-K 2,5x 600 | |
| 14 | 3803764 | 1 | Stopfbuchse TET 5-7C | |
| 15 | 4021 | 1 | CW Fächerscheibe 4,3 -A- DIN 6798 FSt/zn | |
| 16 | 1802586 | 1 | Schraube M4x12 | |
| 17 | 64581 | 2 | Rohr Ø10xØ4x20 | 7-59*BE*NO*, 7-66*BE*NO*EXP*US*, 7-66SS |
| 18 | 301000293 | 1 | Drehschalter Stern-Dreieck k 16A | 7-59*BE*NO*, 7-66*BE*NO*EXP*US*, 7-66SS |
| 19 | 301000443 | 1 | Montageplatte | 7-66*CA* |
| 20 | 11356 | 2 | Schraube 4x14 | 7-66*CA* |
| 21 | 301000428 | 1 | Steuertrafo 500V-575V 23 0V/50VA | 500V-575V 230V/50VA, 7-66*CA* |
| 22 | 3092 | 4 | CW Scheibe 4,3x0,8 ISO 7089 zn | 7-66*CA* |
| 23 | 1804814 | 4 | Schraube M4X12 | 7-66*CA* |
| 24 | 909100046 | 1 | Schraube 4x8 | |
| 25 | 1814621 | 1 | Halter Kabelbinder | |
| 26 | 301002353 | 1 | Strombegrenzer 5 Ohm / 5 W | 7-29 |
| 27 | 101117843 | 1 | MOTOR CABLE 8-WIRE 3 PH 1.5MM2 | 7-59 EU, DK - 7-66 EU, DK, CA |
| 27 | 101117844 | 1 | MOTOR CABLE 8-WIRE 3 PH 2.5MM2 | 7-59 BE, NO - 7-66 BE, NO, EXP, US |
| 27 | 101117860 | 1 | POSEIDON MOTOR CABLE 9-WIRE 3PH 2.5MM2 | 7-52, 7-66 JP |

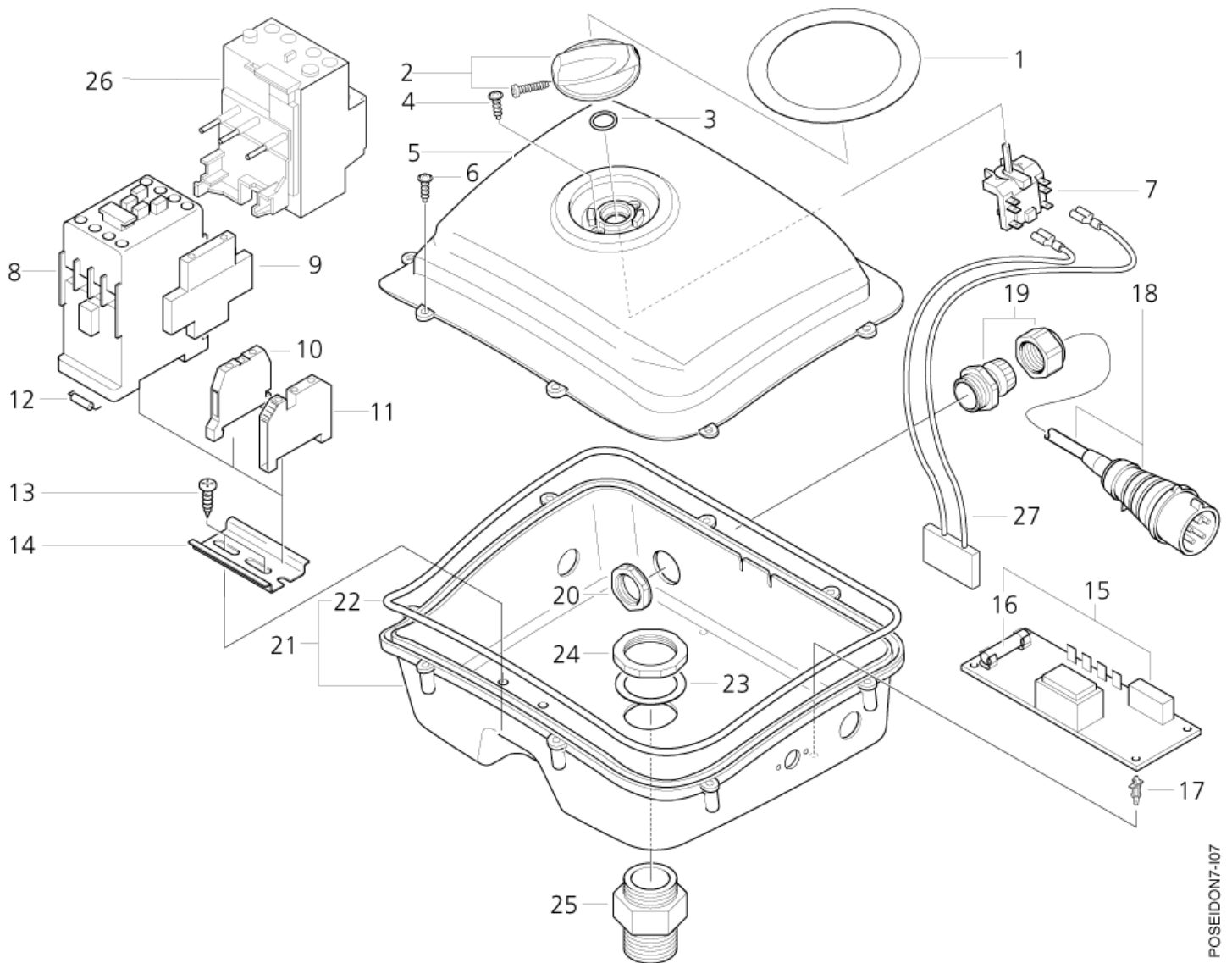
Schaltkasten (b)

POSEIDON 7

26-06-2012

ET-Liste-Nr.
POSEIDON707

23



POSEIDON7-107

Schaltkasten (b)

POSEIDON 7

26-06-2012

ET-Liste-Nr.
POSEIDON/0/

24

| Pos | Artikelnr. | Me | Beschreibung | |
|-----|------------|----|---|---|
| 1 | 301000267 | 1 | Klebeschild Bedienfeld | |
| 2 | 909100204 | 1 | Drehknopf Ø6x5 | |
| 3 | 9868 | 1 | O-Ring Ø10x2,5 | |
| 4 | 18274 | 2 | Senkschraube M4x12 | |
| 5 | 301000189 | 1 | Schaltkastenoberenteil | |
| 6 | 16861 | 8 | Schraube 4x20 | |
| 7 | 28877 | 1 | Nockenschalter | |
| 8 | 103822303 | 1 | Schütz CJX2-D18-V7 400V | 400/50-60, 7-59*EU*DK*, 7-66*EU*DK*, *** NOTE |
| 8 | 103822304 | 1 | Schütz CJX2-D18-P7 230V | 230/50/60, 7-29, 7-66*CA*, *** NOTE |
| 8 | 103822314 | 1 | Schütz CJX2-D32-P7 230V | * SEE NOTE and *** NOTE |
| 8 | 103822315 | 1 | Schütz CJX2-D32-M7 220V | 200/50-60, 7-52, 7-52SS, 7-63*JP*, *** NOTE |
| 8 | 63915 | 1 | Schütz 100-C30KF10 230/50 -60 Hz | 230-400/50 and 440-220/60 |
| 9 | 101118041 | 1 | ANDELI LA8-DN11 SIDE MOUNT AUX CONTACT | ANDELI |
| 9 | 64773 | 1 | Hilfskontakt 100-SBL11 | 7-59*BE*NO*, 7-66*BE*NO*EXP*US*, 7-66SS |
| 10 | 14506 | 1 | Reihenklemme GR-GE 10qmm | 7-52, 7-52SS, 7-66*JP*US* |
| 10 | 3817483 | 1 | Reihenklemme Erde WK4 | |
| 11 | 106408174 | 1 | WIRE TERMINAL 10MM KIT | GREY 7-52, 7-52SS |
| 11 | 3807518 | 2 | Reihenklemme | 7-29 |
| 11 | 3821030 | 1 | Reihenklemme WK4/D 1/2U | 7-59*EU*DK*, 7-66*EU*DK* |
| 12 | 301000074 | 1 | Widerstand 470 ohm/3W | 7-59*BE*NO*, 7-66*BE*NO*EXP*US*, 7-66SS |
| 13 | 909100046 | 2 | Schraube 4x8 | |
| 14 | 22290 | 1 | CW Tragschiene TS35 MeWa gelocht St/zn | ** SEE NOTE |
| 15 | 301000181 | 1 | Steuerelektronik | |
| 16 | 301000263 | 1 | Sicherung 0,63A/500V/ T' Ø6,3x32 | 0,63A/500V/ T' 6,3x32 |
| 17 | 43884 | 4 | CW Printplattenhalter L12 ,7PA | |
| 18 | 17565 | 1 | POWER CORD H07RN-F 3G1.5X10 | H07RN-F 3G1,5X10, 7-29 |
| 18 | 301000253 | 1 | Netzkabel H07RN-F 4G1,5 | H07RN-F 4G1,5X9, *EU*DK* |
| 18 | 301000337 | 1 | Netzkabel H07RN-F 4G2,5 | H07RN-F 4G2,5X9, *BE*NO*EXP* |
| 18 | 301000380 | 1 | Netzkabel VCT 4x5,5x9 | VCT 4X5,5X9, 7-66*JP* |
| 18 | 301000384 | 1 | Netzkabel SOW AWG10/4X9 | SOW AWG10/4X9, 7-66*US*, 7-66SS*US* |
| 18 | 301000407 | 1 | Netzleitung SJOW AWG10/3 x9 | SJOW AWG10/3X9, 7-52, 7-52SS |
| 19 | 64902 | 1 | CW Kabelversch. M20x1,5 Zuge. EN 50262 PA | 7-29, 7-59, 7-66*EU*BE*NO*DK*EXP* |
| 19 | 64904 | 1 | CW Kabelversch. M32x1,5 | 7-52, 7-52SS, 7-66*JP*CA*US*, 7-66SS |
| 20 | 909100019 | 1 | CW Sechskantmutter M20x1 ,5 EN 50262 PA | 7-29, 7-59, 7-66*EU*BE*NO*DK*EXP* |
| 20 | 909100021 | 1 | HEXAGON NUT M32X1.5 | 7-52, 7-52SS, 7-66*JP*CA*US*, 7-66SS |
| 21 | 301000188 | 1 | Schaltkastenunterteil | |
| 22 | 101406054 | 1 | Dichtung | |
| 23 | 301000276 | 1 | Dichtring 45,0x34,0x 2,0 | |
| 24 | 20862 | 1 | Rohrmutter R1" | |
| 25 | 107120607 | 1 | Verschraubung G1"/G3/4" | |
| 26 | 103822327 | 1 | Thermorelais 12-18A | *** NOTE |
| 26 | 103822328 | 1 | Thermorelais 17-25A | *** NOTE |

* NOTE: 230/50-60, 7-59*BE*NO*, 7-66*BE*NO*US*EXP*, 7-66SS

** NOTE: PLEASE INDICATE LENGTHS IN METRES WHEN ORDERING

Ersatzteile auf www.gluesing.net

Schaltkasten (b)

POSEIDON 7

26-06-2012

ET-Liste-Nr.
POSEIDON / 0 /

25

| Pos | Artikelnr. | Me | Beschreibung |
|-----|------------|----|-----------------------------------|
| 26 | 103822329 | 1 | Thermorelais 23-32A JP, *** NOTE |
| 27 | 301000235 | 1 | Kabel, rot, 2-polig LIYY 0,25x300 |

* NOTE: 230/50-60, 7-59*BE*NO*, 7-66*BE*NO*US*EXP*, 7-66SS

** NOTE: PLEASE INDICATE LENGTHS IN METRES WHEN ORDERING

Ersatzteile auf www.gluesing.net

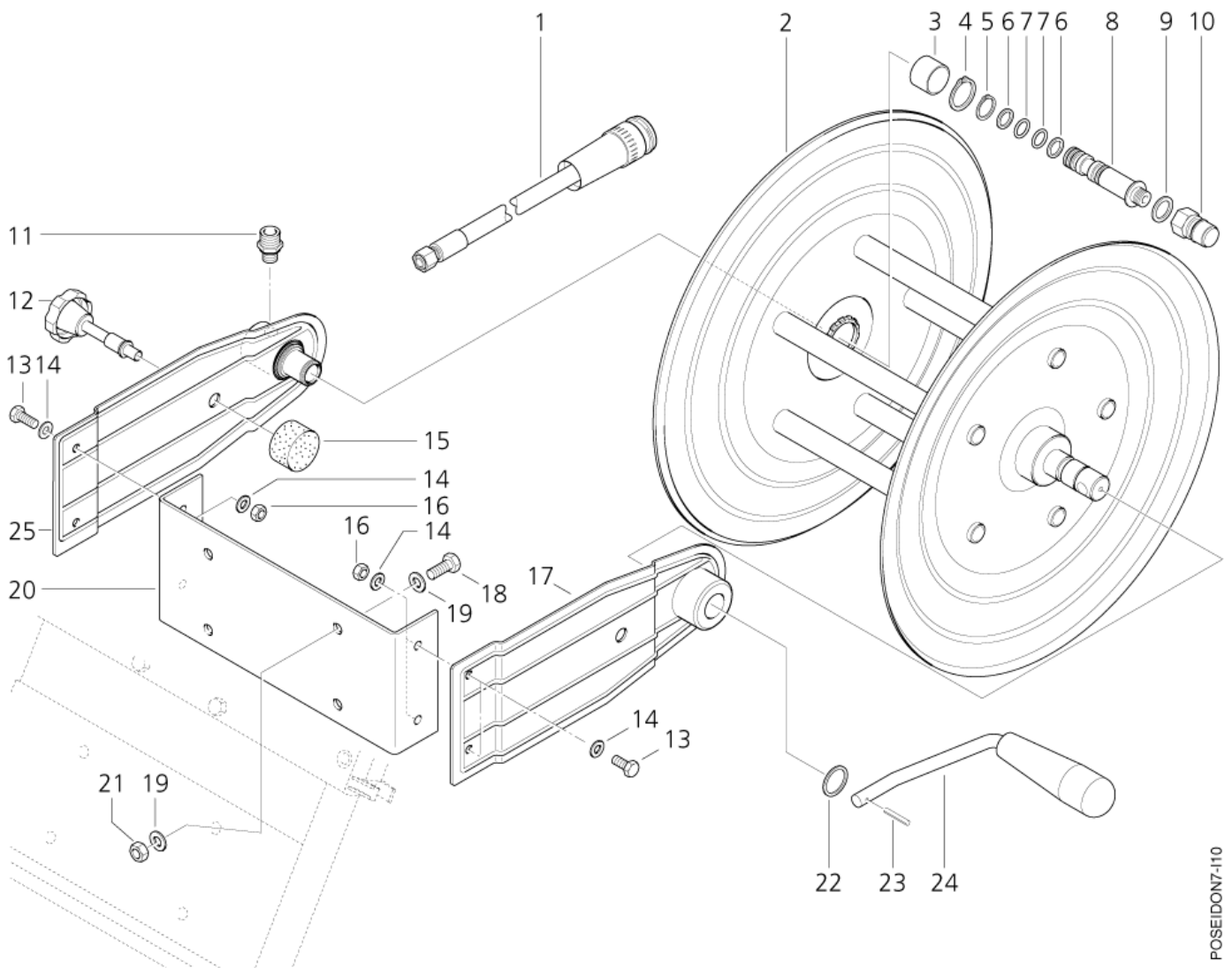
Schlauchtrommel POSEIDON 7

POSEIDON 7

26-06-2012

ET-Liste-Nr.
POSEIDON710

26



POSEIDON7-110

Schlauchtrommel POSEIDON 7

POSEIDON 7

26-06-2012

ET-Liste-Nr.
POSEIDON / 10

27

| Pos | Artikelnr. | Me | Beschreibung | |
|-----|------------|----|--|-----------------|
| 0 | 301000202 | 1 | Schlauchtrommelanbausatz bis 30m (DN10) | complete |
| 0 | 301000540 | 1 | Schlauchtrommelanbausatz | complete |
| 1 | 301000207 | 1 | HD-Schlauch | |
| 2 | 29886 | 1 | Schlauchtrommel Ø350 | black painted |
| 2 | 301000540 | 1 | Schlauchtrommelanbausatz | Stainless steel |
| 3 | 54400 | 1 | Lagerbuchse Ø28/Ø25X20 | |
| 4 | 16848 | 1 | Sicherungsring 25x1,2 | |
| 5 | 49870 | 1 | Sicherungsring 18x1,2 | |
| 6 | 19704 | 2 | Stützring Ø13,5x18x2 | |
| 7 | 12778 | 2 | O-Ring Ø13,3x2,4 | |
| 8 | 301000320 | 1 | Verschraubung G3/8" | |
| 9 | 1801075 | 1 | Dichtring Ø23,8xØ17,2x2 | |
| 10 | 1600493 | 1 | Nippel 3/8", Schnellkupplung | |
| 11 | 54590 | 1 | Verschraubung XGE12LJ/1/4 NPT | |
| 12 | 43286 | 1 | Sterngriff M8x55 | |
| 13 | 2754 | 4 | Sechskantschraube M6x16 | |
| 14 | 2764 | 8 | CW Scheibe 6,4x1,6 ISO 7089 zn | |
| 15 | 49872 | 1 | Puffer Ø30x17 | |
| 16 | 11619 | 4 | CW Sechskantmutter M6 ISO 7042 zn | |
| 17 | 49458 | 1 | Halterung | |
| 18 | 2753 | 4 | CW Sechskantschraube M8x 20 ISO 4017 zn | |
| 19 | 2762 | 8 | CW Scheibe 8,4x1,6 ISO 7089 zn | |
| 20 | 29889 | 1 | Blechbügel | |
| 21 | 2758 | 4 | CW Sechskantmutter M8 ISO 4032 zn | |
| 22 | 32524 | 1 | Sicherungsring 20x1,2 | |
| 23 | 6130 | 1 | Spannstift 4x30 | |
| 24 | 49788 | 1 | Kurbel | |
| 25 | 301000197 | 1 | Halterung | |

Zubehör/ Sonstiges

POSEIDON 7

26-06-2012

ET-Liste-Nr.

POS722

28

Keine Zeichnung zur ET-Liste

Zubehör/ Sonstiges

POSEIDON 7

26-06-2012

ET-Liste-Nr.

POS/ZZ

29

| Pos | Artikelnr. | Me | Beschreibung | |
|-----|------------|----|-------------------------------------|------------|
| - | 106403122 | 1 | Ergo 2000 Pistole | |
| - | 106403123 | 1 | Ergo 2000 VarioPress | |
| 0 | 6101766 | 1 | HD-Schlauch DN10x10m/3/8" ' | |
| 1 | 101119743 | 1 | HD-Düse 0550 TORNADO neongrün 1/8" | 7-29 |
| 1 | 101119745 | 1 | HD-Düse 0640 TORNADO grün 1/8" | 7-59, 7-66 |
| 1 | 106403010 | 1 | TORNADO PLUS 1120 gebogen | |
| 2 | 106402190 | 1 | Pistole mit Drehverriegel ERGO 3000 | Up to 2010 |

EMPFOHLENE ERSATZTEILE

POSEIDON 7

26-06-2012

ET-Liste-Nr.
POSEIDON7REC

30

Keine Zeichnung zur ET-Liste

EMPFOHLENE ERSATZTEILE

POSEIDON 7

26-06-2012

ET-Liste-Nr.
POSEIDON/REC

31

| Pos | Artikelnr. | Me | Beschreibung | |
|-----|------------|----|--------------------------------------|---|
| | 301001969 | 1 | nicht mehr lieferbar TotalCheck P7 | |
| | 301001970 | 1 | TotalCheck P7 Kit B | |
| | 301002018 | 1 | TOTAL CHECK P7-29 | |
| | 301002019 | 1 | TOTAL CHECK P7-29 | |
| A | 101119411 | 1 | Reparatursatz Steuerkolbe n | A |
| A | 101119848 | 1 | Ventilsatz Ein-/Auslass | A |
| A | 103821821 | 1 | Rohrmagnetschalter L700 | A |
| A | 107120567 | 1 | Kolben f. By-Pass-Ventil | A |
| A | 1119195 | 1 | Reparatursatz Ein-Auslass-Ventilsyst | A |
| A | 1119310 | 1 | ET-Set Ventile [4x] | A |
| A | 1119570 | 1 | Dichtsatz | A |
| A | 1119571 | 1 | Dichtsatz | A |
| A | 1119820 | 1 | Reparatursatz Öldichtung | A |
| A | 6100925 | 1 | Kolben | A |
| A | 6100941 | 1 | Filter | A |
| A | 6101069 | 1 | Sicherungsscheibe | A |
| A | 6400143 | 1 | Ventilkegel | A |
| B | 1118512 | 1 | Reparatursatz Sicherheitsventil | B |
| C | 103822303 | 1 | Schütz CJX2-D18-V7 400V | C |
| C | 103822304 | 1 | Schütz CJX2-D18-P7 230V | C |
| C | 103822314 | 1 | Schütz CJX2-D32-P7 230V | C |
| C | 103822315 | 1 | Schütz CJX2-D32-M7 220V | C |
| C | 103822327 | 1 | Thermorelais 12-18A | C |
| C | 103822328 | 1 | Thermorelais 17-25A | C |
| C | 103822329 | 1 | Thermorelais 23-32A | C |
| C | 107120704 | 1 | Lagerscheibe Pumpenseitig | C |
| C | 107120705 | 1 | Taumelscheibe No.1 | C |
| C | 107120708 | 1 | Taumelscheibe No.4 | C |
| C | 107120710 | 1 | Taumelscheibe No.6 | C |
| C | 107120715 | 1 | Taumelscheibe No.11 | C |
| C | 107120716 | 1 | Taumelscheibe No.12 | C |
| C | 107120750 | 1 | Motor 6,5kW/400-415/230/ 3 | C |
| C | 107120751 | 1 | Motor 6,5kW/440-220/3 | C |
| C | 107120752 | 1 | MOTOR 6.5KW 200 3 50 | C |
| C | 107120753 | 1 | MOTOR 6.5KW 200 3 60 | C |
| C | 107120754 | 1 | MOTOR 6.5KW 575 3 60 | C |
| C | 107120755 | 1 | Motor 5,5kW/400-415/230/ 3/50 | C |
| C | 107120757 | 1 | MOTOR 5.0KW 208 230 1 60 | C |
| C | 107120758 | 1 | MOTOR 2.1KW 230 1 50 | C |
| C | 107140615 | 1 | Lagerabdeckung, vorn | C |
| C | 107140617 | 1 | Lagerabdeckung | C |
| C | 11060 | 1 | Anlassrelais 220V AC | C |
| C | 1802511 | 1 | Sicherungsring 28x1,2 | C |

EMPFOHLENE ERSATZTEILE

POSEIDON 7

26-06-2012

ET-Liste-Nr.
POSEIDON/REC

32

| Pos | Artikelnr. | Me | Beschreibung | |
|-----|------------|----|----------------------------------|---|
| C | 28877 | 1 | Nockenschalter | C |
| C | 301000181 | 1 | Steuerelektronik | C |
| C | 301000207 | 1 | HD-Schlauch | C |
| C | 301000402 | 1 | Widerstand 15kOhm/7W | C |
| C | 301000403 | 1 | Anlaufkondensator 98µF 33 0V | C |
| C | 301000415 | 1 | Betriebskondensator 80µF /420V | C |
| C | 301000428 | 1 | Steuertrafo 500V-575V 23 0V/50VA | C |
| C | 301002353 | 1 | Strombegrenzer 5 Ohm / 5 W | C |
| C | 3200615 | 1 | Axialrollenlager | C |
| C | 3200623 | 1 | N-Lager | C |
| C | 3200656 | 1 | Nadellager K40x45x17 | C |
| C | 3200664 | 1 | Nadellager K40x45x13A | C |
| C | 3601262 | 1 | Manometer 0-300 bar | C |
| C | 4600771 | 1 | Distanzhalter 9,5mm | C |
| C | 6100602 | 1 | Spannring | C |
| C | 6100611 | 1 | N-Lagerdeckel | C |
| C | 6101750 | 1 | D-Lagerdeckel Kompl. | C |