

# POSEIDON 6 FA

---

Model:

POSEIDON 6-52 FA  
POSEIDON 6-61 FFA  
POSEIDON 6-64 FA  
POSEIDON 6-65 FA  
POSEIDON 6-73 FA  
POSEIDON 6-79 FA



Part List US-English

12-01-2013

**Nilfisk**  
**ALTO**  
works for you

[www.nilfisk-alto.com](http://www.nilfisk-alto.com)

Ersatzteilbestellungen unter [www.gluesing.net](http://www.gluesing.net)

# Table of Contents

POSEIDON 6 FA

<b>Overview</b>	<b>3</b>
<b>Hose reel</b>	<b>6</b>
<b>Electric box</b>	<b>8</b>
<b>Motor</b>	<b>11</b>
<b>Cylinder block</b>	<b>14</b>
<b>Unloader FA</b>	<b>16</b>
<b>Default accessories</b>	<b>18</b>
<b>Recommended spare parts</b>	<b>20</b>

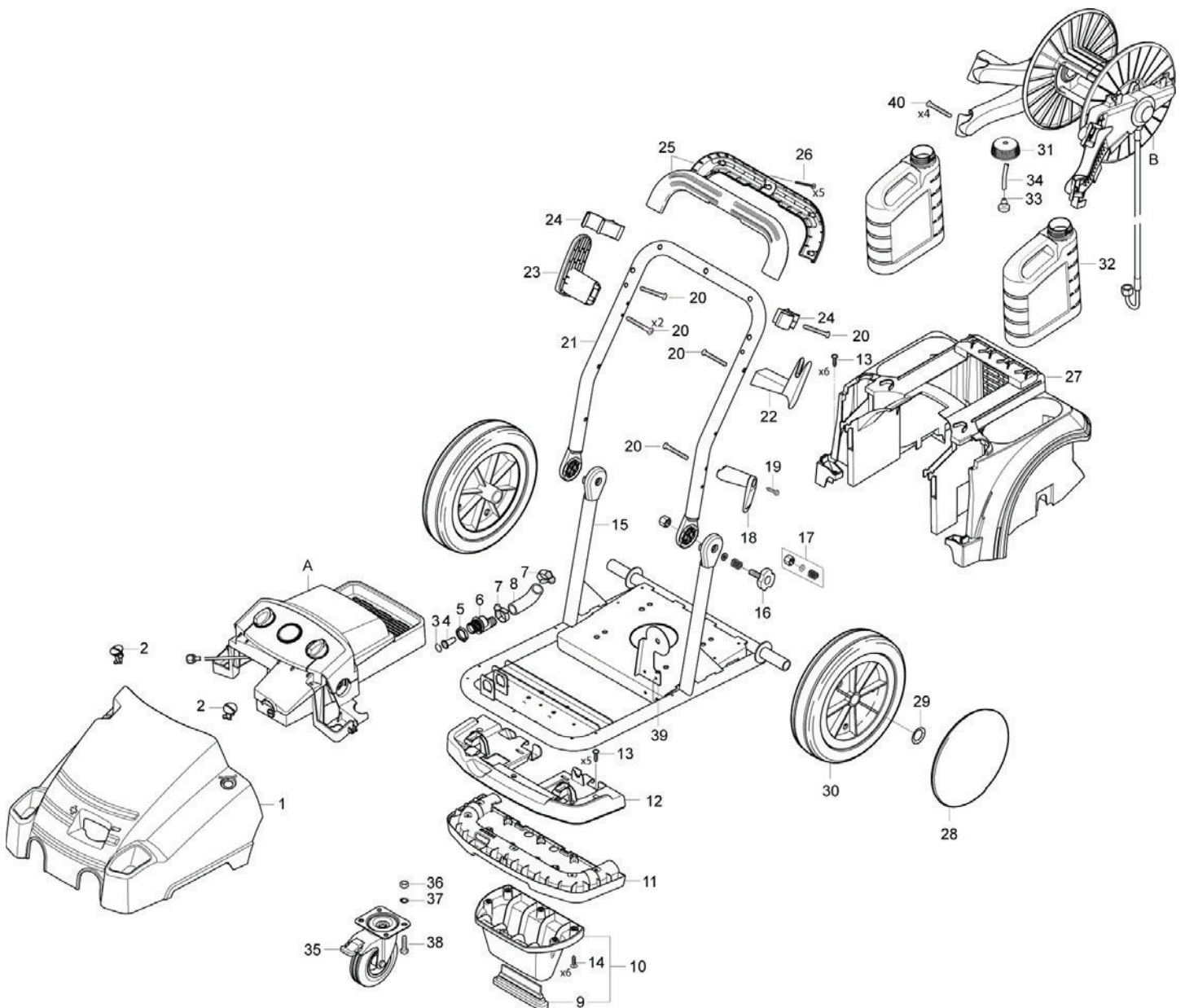
# Overview

POSEIDON 6 FA

12-01-2013

Part List ID  
POS602

3



# Overview

## POSEIDON 6 FA

12-01-2013

Part List ID  
POSE602

4

Pos	Part no.	Qty	Description	
1	107141602	1	CABINET FRONT NA POSEIDON 6	
2	301001261	2	LOCKING BOLT D29X35	
3	107141667	1	LOCK WASHER	
4	101117926	1	FILTER	
5	1800341	1	LOCK NUT 3/4IN	
6	107141668	1	WATER INLET PIPE NA5/NA6	
7	107141707	1	HOSE CLIP 20-32MM SS	Food
7	23221	2	HOSE CLAMP 20-32	
8	107141697	1	RUBBER ELBOW NA5/NA6 FA	
9	107141615	1	RUBBER FOOT	
A		1	USE LINK	
B		1	USE LINK	
10	101118100	1	FRONT FOOT FOR POSEIDON KIT	
11	107141617	1	BUMPER BOTTOM	
12	107141618	1	BUMPER TOP	
13	107141690	5	SCREW M5X12 DIN7985 TORX TAPTITE	
14	101814782	6	SCREW K50X18 WN 1451 TORX 20	
15	107141621	1	FRAME NA6/C3	
15	107141622	1	FRAME STAINLESS STEEL	Food
16	107141672	2	GRIB FOR FOLDABLE HANDLE	
17	101118104	2	SPRING AND LOCK NUT KIT	
18	107141625	1	CABLE HOOK MOVABLE BLACK	
19	101814782	1	SCREW K50X18 WN 1451 TORX 20	
20	107141627	10	SCREW K50X40 T20	
21	107141623	1	FRAME HANDLE	
21	107141624	1	FRAME HANDLE STAINLESS STEEL	Food
22	107141632	1	CABLE HOOK	
23	107141629	1	HOSE HOOK	
24	107141630	1	LANCE HOLDER NA	
25	101118101	1	HANDLE KIT	
26	909100148	5	SCREW K40X30 WN 1452	
27	107141634	1	REAR END	
28	301001077	2	WHEEL CAP D234	
29	1814136	2	CLAMPING RING D25	Food
29	46363	2	CLAMPING RING D25	
30	2010908	2	WHEEL D250X60 GREY	Food
30	6184074	2	WHEEL 300	
31	107141664	2	CAP FOR DETERGENT TANK	
32	107141635	2	DETERGENT TANK	
33	6400240	1	FILTER	
34	5206636	1	HOSE 6/10	
35	107141607	1	WHEEL W. BRAKE D125	
35	107141608	1	WHEEL W. BRAKE D125 FOOD	Food

# Overview

## POSEIDON 6 FA

12-01-2013

Part List ID  
POSE602

5

Pos	Part no.	Qty	Description
36	1800515	4	LOCK NUT M8 ISO 7042 ZN
36	1809920	4	NUT M8 A2/PA ISO10511 Food
37	1800796	4	WASHER M8
37	1802917	1	WASHER M8 Ø8.4X18X1 A2 DIN125 Food
38	107140930	4	SCREW M8X20 DIN933 SS Food
38	2753	4	HEX. SCREW M8X20 ISO 4017 ZN
40	107141695	4	SCREW K50X35 TORX 20 WN5452 BLACK

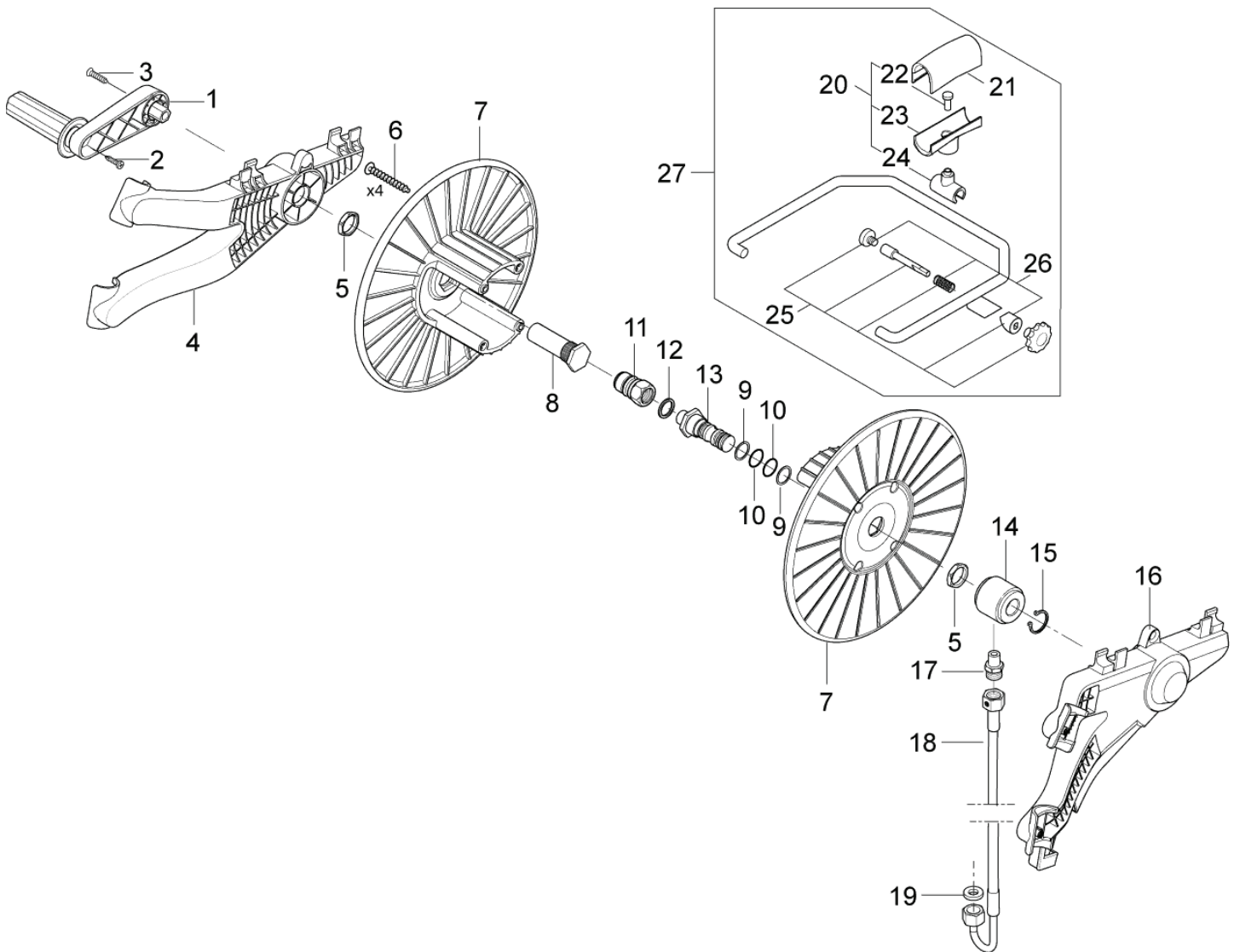
# Hose reel

POSEIDON 6 FA

12-01-2013

Part List ID  
POS5Z04

6



# Hose reel

## POSEIDON 6 FA

12-01-2013

Part List ID  
POSSZ04

7

Pos	Part no.	Qty	Description
1	101118102	1	HOSE REEL HANDLE KIT
2	101814782	1	SCREW K50X18 WN 1451 TORX 20
3	107141673	1	SCREW M6X45 ISO 7380 BLACK TORX
4	107141674	1	ADAPTOR RIGHT FOR HOSE REEL
5	62696	1	HEXAGON NUT M24X1.5X6
6	909100153	1	SCREW 6X40
7	301000775	1	HOSE DRUM SECTION
8	107141675	1	AXLE FOR HOSE REEL
9	63792	2	SUPPORTING RING 16.26X2.18
10	19620	2	O-RING 15.54x2.62 DIN 3771 NBR70
11	1600493	1	NIPPLE F. Q-COUPL. 3/8IN HP
12	1801075	1	PACKING RING Ø23.8XØ14.96
13	107141676	1	SWIVEL SCREW FOR HOSE REEL
14	301000977	1	BEARING BUSH
15	32524	1	RETAINING RING 20X1.2
16	107141677	1	ADAPTOR LEFT FOR HOSE REEL
17	54590	1	FITTING XGE12L 1/4NPT
18	107141678	1	CONNECTION HOSE FOR HOSE REEL
19	65466	1	PACKING RING 8X15X1
20	101118103	1	HOSE GUIDE PARTS KIT
21	301000674	1	HOSE GUIDE SECTION - UPPER 70X31.7X28.5
22	10028	1	SCREW KA50X14 WN1411
23	301000676	1	HOSE GUIDE SECTION LOWER
24	107141679	1	HOSE GUIDE SLEEVE OPEN
25	101118106	1	HOSE GUIDE BRAKE COMPLETE KIT
26	101118111	1	HOSE GUIDE KIT
27	101118105	1	HOSE GUIDE COMPLETE

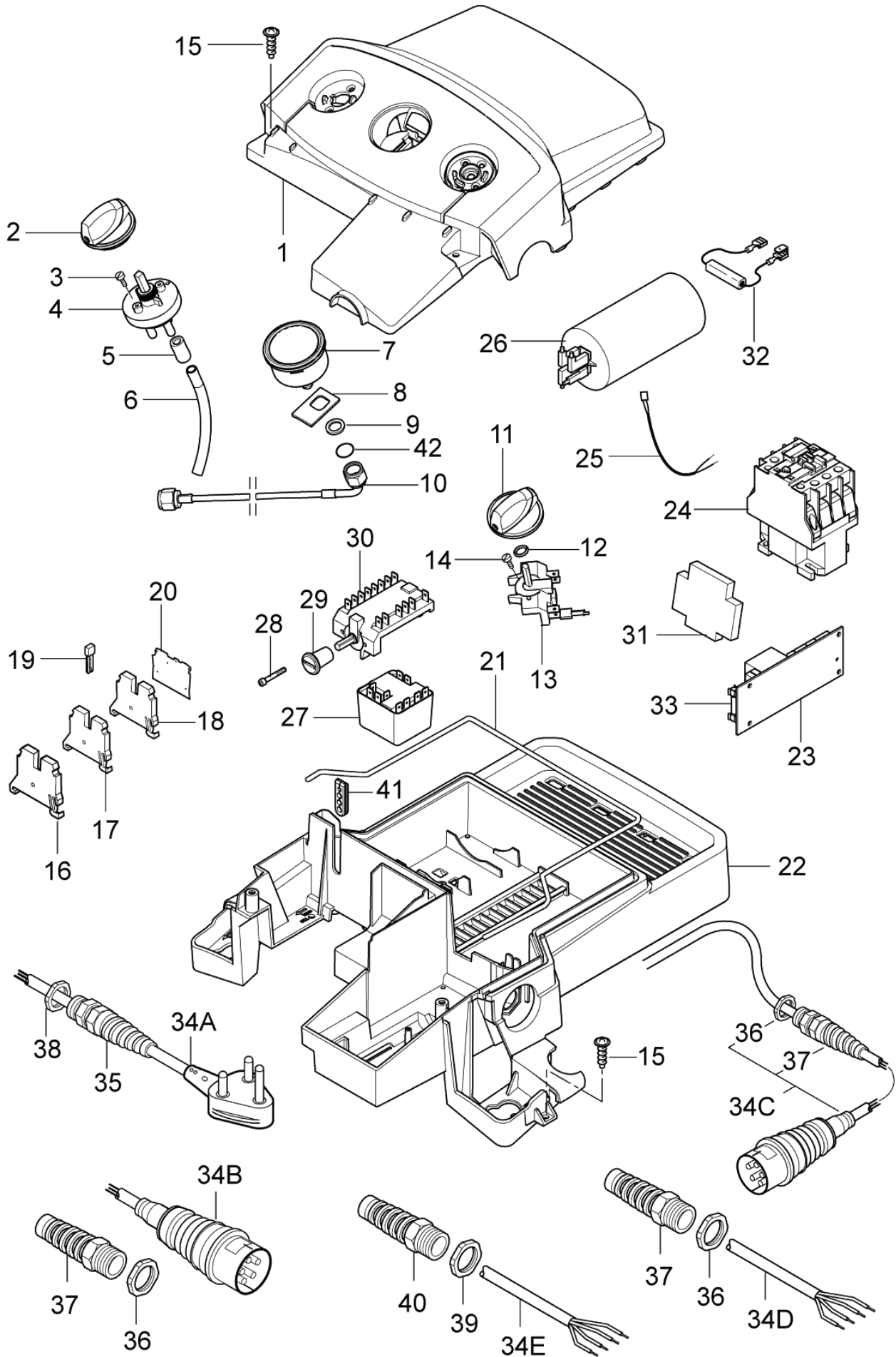
# Electric box

POSEIDON 6 FA

12-01-2013

Part List ID  
POS606

8





# Electric box

## POSEIDON 6 FA

12-01-2013

Part List ID  
POSE606

9

Pos	Part no.	Qty	Description	
1	107141644	1	E-BOX TOP F. 1-POS SWITCH AND DET. BLACK	
1	107141645	1	E-BOX TOP F. 2-POS SWITCH AND DET. BLACK	
1	107141646	1	E-BOX TOP F. 1-POS SWITCH-NO DET. BLACK	
2	909100204	1	ROTARY KNOB 6X5 BLUE	
3	1814730	2	SCREW 35X10B W1423	
4	301001000	1	VALVE 51X70	
5	301001906	1	CLOSING CAP D12X21.5	
6	5206636	1	HOSE 6/10	
7	107141648	1	MANOMETER 0-300 BAR	
8	107141650	1	PLATE FOR MANOMETER	
9	107141651	1	WASHER M12 13X24X2.5 A2 DIN125	
10	107141653	1	MANOMETER TUBE FA MODELS	
10	107141696	1	MANOMETER TUBE FFA MODELS	Food
11	909100214	1	ROTARY KNOB GR.1 4KT. 6X6+8X8 BLUE	
12	9868	1	O-RING 10.2X2.5 NBR 70	
13	28877	1	SWITCH	2-POS.
13	301001058	1	CAM SWITCH 0-1 10A 400VAC	1-POS.
14	18274	1	COUNTERSUNK SCREW M4X12	
15	101814782	6	SCREW K50X18 WN 1451 TORX 20	
16	103821922	1	DIN-END STOP WO/SCREW WAGO 249-116	
17	107141633	1	TERMINAL BLOCK 4Q PE	
18	103821967	1	WIRE TERMINAL WAGO281 800V 4MM2	
19	103821969	1	JUMPER	
20	103821968	1	END PLATE WAGO 4MM2	
21	107141663	1	RUBBER GROMMET	
22	107141654	1	E-BOX BOTTOM DRILLED /CABLE/	220-240/1/60 (6-52 US)
22	107141655	1	E-BOX BOTTOM DRILLED /SWITCH/	230/400/3/50 (6-65 NO)
22	107141665	1	E-BOX BOTTOM	
22	107141706	1	E-BOX BOTTOM DRILLED CABLE AND SWITCH	220/440/3/60 (6-73 US)
23	107141666	1	PCB POSEIDON 5-6-7	
24	103822303	1	CONTACTOR CJX2-D18 18A 400V 3P+NO	6-61 FFA 400/3/50 EU
24	103822308	1	CONTACTOR CJX2-D25 25A 400V 3P+NO	400/3/50 EU
24	103822314	1	CONTACTOR CJX2-D32 32A 230V 3P+NO	220-240/1/60 (US)
24	63915	1	CONTACT 100-C30KF10 230	230/400/3/50, 220/440-460/3/60
25	107141656	1	WIRE	
26	101117948	1	CAPACITOR 70UF 400/450V DOUBLE FASTON	
27	107141613	1	START RELAY RVA 4N 0D	
28	40045	2	PAN HEAD SCREW M4X30	
29	64580	1	ROTARY KNOB	
30	301000293	1	SWITCH START/TRIANGLE 16	
31	64773	1	AUXILIARY CONTACT 100-SBL11	
32	301000402	1	RESISTANCE 15KOHM/7W	
33	301000263	1	FUSE 0.63A/500AT Ø 6.	

# Electric box

## POSEIDON 6 FA

12-01-2013

Part List ID  
POSE06

10

Pos	Part no.	Qty	Description	
35	909100198	1	SCREWED CABLE GLAND M25X1.5	M25
36	909100043	1	CABLE SCREWING W. ANTIBUC. M20X1.5	M20
37	909100019	1	HEXAGON THIN NUT M20X1.5 EN 50262 PA	M20
38	909100020	1	HEXAGON THIN NUT M25X1.5 EN 50262 PA	M25
39	909100021	1	HEXAGON NUT M32X1.5	M32
40	909100016	1	ABLE SCREWING W. ANTIBUC.	M32
41	101406054	1	SPONGE RUBBER Ø 4 1M	
42	31000508	1	O-RING NBR	
34A	301000407	1	POWER CORD SJOW AWG10/3X9.0	6-52 FA 220-240/1/60 USA
34B	301000253	1	POWER CORD H07RN-F 4G1.5	EU
34C	301000834	1	POWER CORD H07RN-F4G1.5X6	Sondi
34D	301000337	1	POWER CORD H07RN-F 4G2.5	NO, EXP.
34E	301000384	1	POWER CORD SOW AWG10/4X9	6-73 FA 220/460/3/60 USA

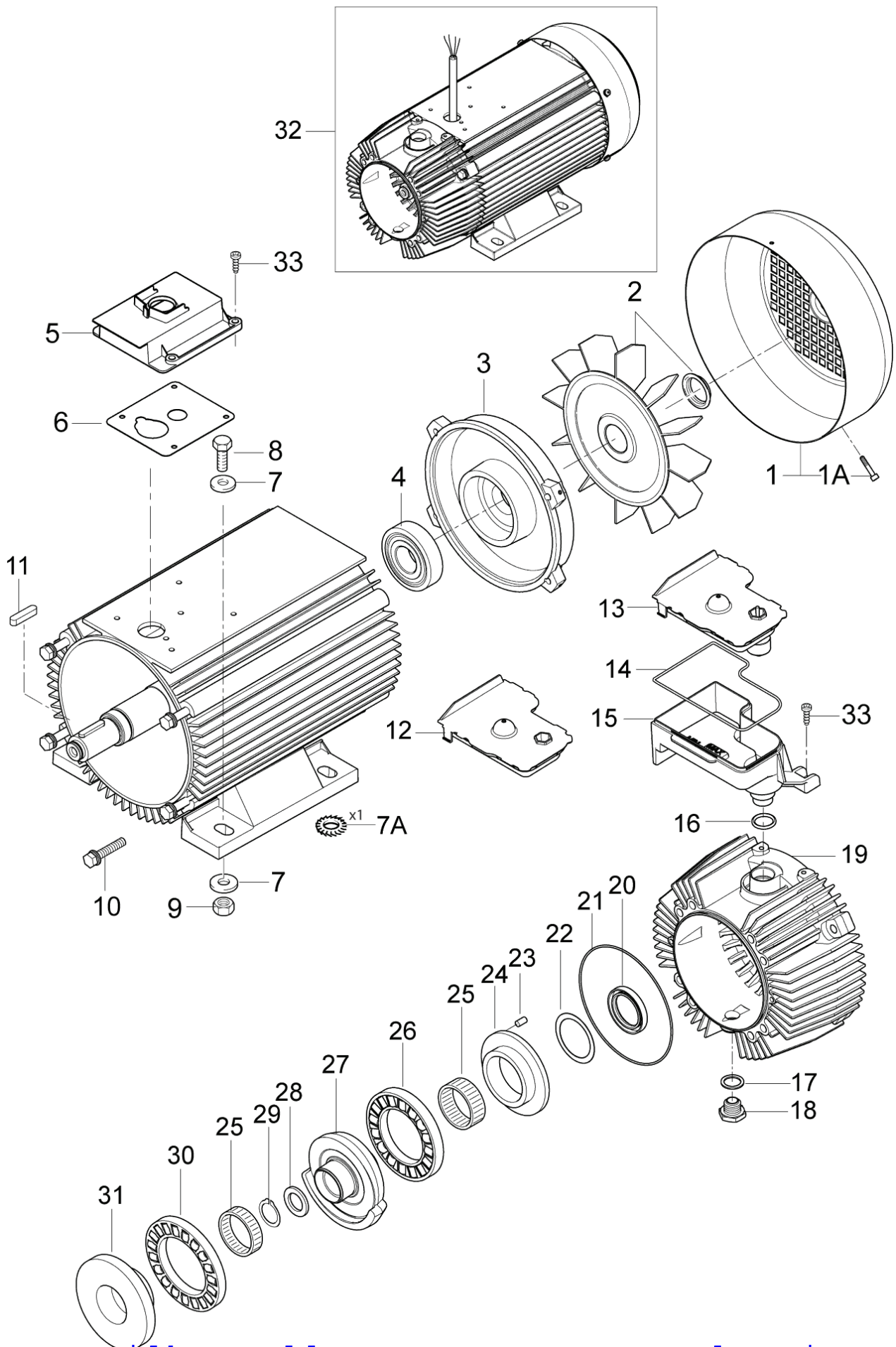
# Motor

POSEIDON 6 FA

12-01-2013

Part List ID  
POS610

11



# Motor

## POSEIDON 6 FA

12-01-2013

Part List ID  
POSE610

12

Pos	Part no.	Qty	Description	
0	5218433	1	PUMP OIL 150 1X1L	
1	107144126	1	FAN COVER RF	
2	107144125	1	FAN W LOCK RING RF	
3	31000148	1	REAR BEARING COVER RF	
4	31000149	1	REAR BEARING 6306 2Z C3 150 DEGREES RF	
5	107140876	1	COVER FOR E-BOX ON MOTOR	
6	107140875	1	SEALING BETWEEN E-BOX AND MPU	
7	2767	7	WASHER 10.5 X 20 X 2	
8	8927	4	HEXAGON HEAD CAP SCREW M10X 35 ISO 4017	
9	1800465	4	NUT M10 DIN 934	
9	1802966	4	NUT M10 ISO 4032 A2-70	Food
10	6863	4	SCREW M8X35	
11	107140880	1	KEY 6X6X32 A DIN 6885	
12	107140877	1	OIL CONTAINER TOP	
13	107140883	1	OIL CONTAINER TOP W/LEVEL SENSOR	
14	107140878	1	SEALING TAPE D4 YARD-WAR/CELLULAR RUBBER	
15	107140879	1	OIL CONTAINER BOTTOM	
16	107140882	1	O-RING 15.0 X 3.0 SMS 1586 NBR70	
17	106408208	1	COPPER SEALING 17X25X1.5	
18	6150400	1	DRAIN PLUG	
1A	31000488	1	SCREW M5X8 CYLINDER HEAD PH NOTCH RF	
1A	31000489	1	SCREW 3X9.5 MUSHROOM HEAD EME	
20	3001146	1	OIL GASKET 35X50X7 SIKU/VITON	
21	106408215	1	O-RING 126.71 X 1.78 NBR 72	
22	6100995	1	WASHER	
23	6100996	1	GUIDE PIN	
24	107120703	1	BEARING TRACK	
25	3200656	2	NEEDLE BEARING INA K 40X46X17	
26	3200615	1	AXIAL ROLLER BEARING	
27	106408210	1	WOBBLE DISC POLISHED 4.3DEG	6-52 FA 220-240/1/60 USA
27	106408211	1	WOBBLE DISC POLISHED 5.05DEG	6-64, 6-73 US, (6-65 EXPT)
27	106408212	1	WOBBLE DISC POLISHED 5.8DEG	6-65
27	106408213	1	WOBBLE DISC POLISHED 7.05DEG	6-61, 6-79
28	106408204	1	WASHER D32 x D20.1 x 3 STEEL	
29	1802057	1	SEGER CIRCLIP 20X1.2	
30	106408206	1	CYL. ROLLER BEARING K81 212-TV AX D11	
31	106408207	1	BEARING TRACK THRUST	
32	106408200	1	MOTOR 6.8KW. 3X230/400-220/440	6-65 FA 230;400/3/50
32	106408201	1	MOTOR 5.2KW. 1X230	6-52 FA 220-240/1/60 USA
32	106408202	1	MOTOR 7.5KW. 3X230/400-220/440	6-64 FA 400/3/50 , 6-73 FA 220/400/3/60, 6-79 FA 4
32	106408203	1	MOTOR 4.5KW. 3X230/400-220/440	6-61 FA 400/3/50 EU
33	107140881	6	SCREW M5X12 DIN 7985 TORX	
7A	10204	1	SERRATED LOCK WASHER A10	

# Motor

POSEIDON 6 FA

12-01-2013

Part List ID  
POSE610

13

Pos	Part no.	Qty	Description	
7A	107140931	1	TOOTHED WASHER M10 SS	Food

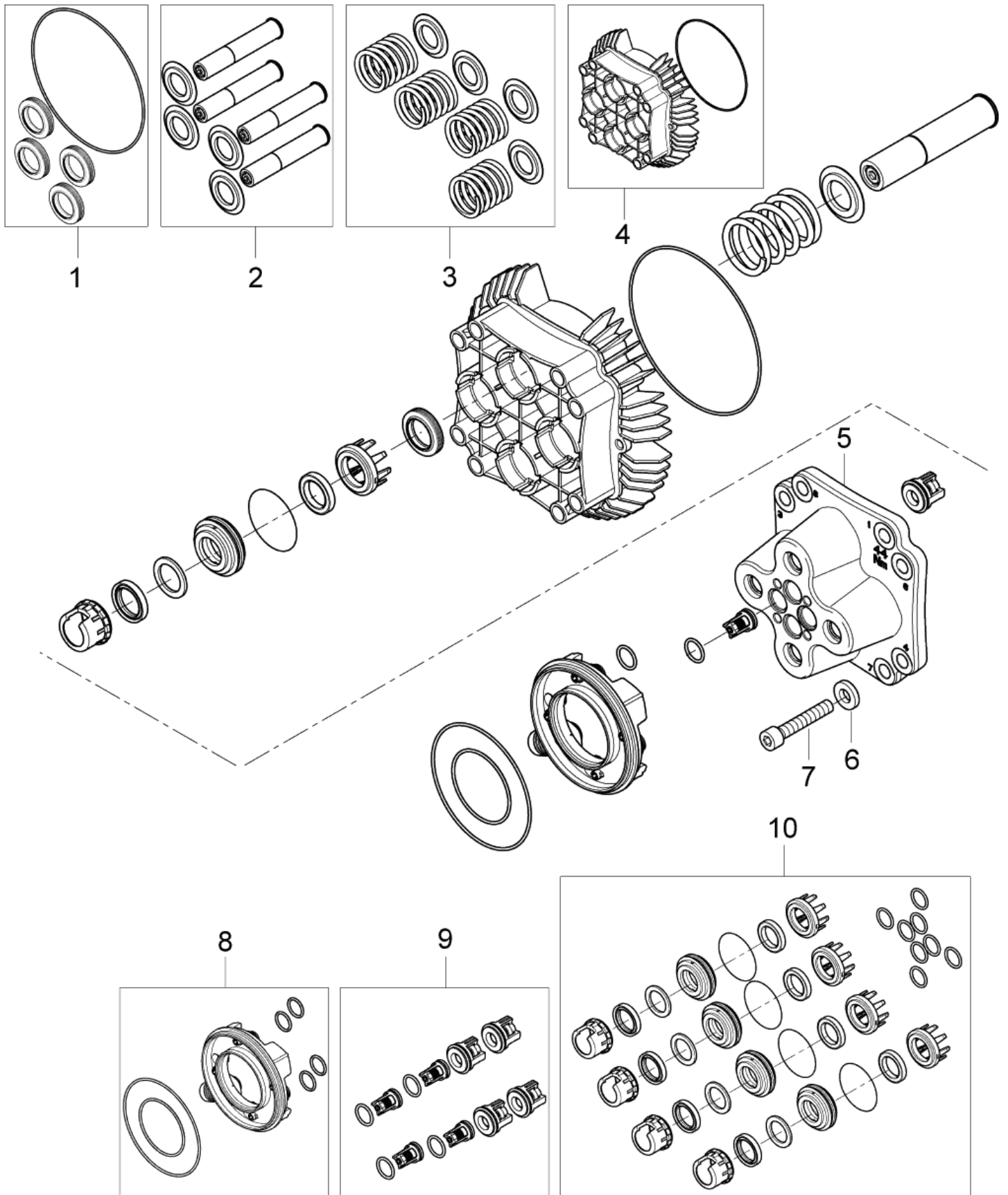
# Cylinder block

POSEIDON 6 FA

12-01-2013

Part List ID  
POS612

14



# Cylinder block

POSEIDON 6 FA

12-01-2013

Part List ID  
POSE612

15

Pos	Part no.	Qty	Description
1	101118057	1	SEAL KIT FOR CYLINDER BLOCK NA6
2	101118065	1	PISTON KIT W/MARKING NA6 6-79 / 6-61FFA 6-61, 6-79
2	101118066	1	PISTON KIT NA6 6-52, 6-64, 6-65, 6-73
3	101118059	1	RETURN SPRING - KIT NA6
4	101118060	1	CYLINDER BLOCK - KIT NA6
5	106408197	1	PUMP HEAD D24 NA6
6	2767	1	WASHER 10.5 X 20 X 2
7	1813393	1	SCREW M10X100 DIN912 8.8
8	101118063	1	INLET MANIFOLD KIT - NA6
9	101118062	1	OUTLET/INLET VALVE KIT - NA6
10	101118061	1	WATER SEAL KIT - NA6

# Unloader FA

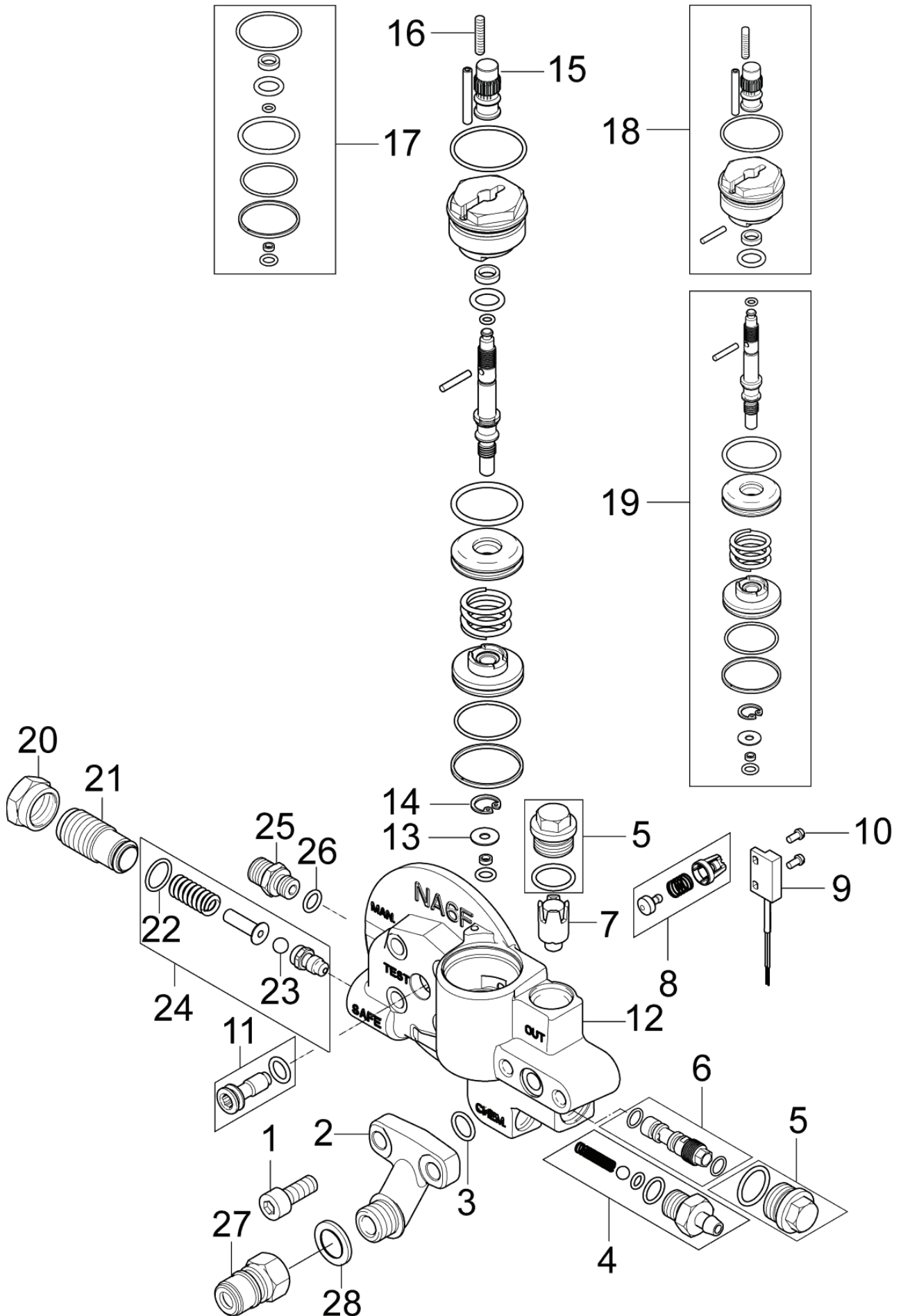
POSEIDON 6 FA

12-01-2013

Part List ID

POS614

16





# Unloader FA

## POSEIDON 6 FA

12-01-2013

Part List ID  
POSE614

17

Pos	Part no.	Qty	Description
1	106408193	2	SCREW M8 X20 8.8 DIN 912 FZB
2	106408192	1	OUTLET FITTING FA AXIAL OUTLET
3	106408191	1	O-RING 10.82X1.78 NBR 70
4	1119406	1	NON RETURN VALVE REP. KIT
5	107144154	2	OIL PLUG M18X1.5 WITH O-RING /SH90/
6	107140794	1	VENTURI TUBE D2.3 RED
7	101118055	1	MAGNET AND HOUSE FOR FLOW SWITCH-KIT NA6
8	101118056	1	RETURN VALVE BY-PASS - KIT NA6
9	106408216	1	REED SWITCH
10	101118033	2	SCREW M3X6 BRASS DIN 84 ISO 1207 KIT
11	107144137	1	UNLOADER PLUG NA5
12	106408194	1	UNLOADER FA NA6
13	106408196	1	WASHER D12.95 X D4.6 X 0.9 BRASS
14	106408195	1	RETAINING RING SIZE 13 DIN472
15	106408189	1	NUT M8 X 1 FOR UNLOADER VALVE FA
16	106408188	1	DIN 913 M4X20 POINTED SCREW
17	101118050	1	SEALING KIT FOR NA6
18	101118051	1	PLUG FOR UNLOADER VALVE FA - KIT NA6
19	101118049	1	CONTROL UNIT - KIT NA6
20	6100928	1	LOCK NUT
21	6100940	1	ADJUSTMENT SCREW
22	3001070	1	O-RING 13.1X1.6 NITRIL 90SH
23	1802644	1	BALL 7MM
24	101118118	1	OPENING VALVE REP. KIT NA5 NA6 FA
25	1821	1	FITTING XGE 6LR1/8
26	3001740	1	O-RING 7.66X1.78 NITRIL 70SH
27	1600493	1	NIPPLE F. Q-COUPL. 3/8IN HP
27	1603101	1	NIPPLE F/QUICK COULING 3/8 SS INOX
28	1801075	1	PACKING RING Ø23.8XØ14.96

# Default accessories

POSEIDON 6 FA

12-01-2013

Part List ID  
POS616

18

No Drawing For Part List

# Default accessories

POSEIDON 6 FA

12-01-2013

Part List ID  
POSE616

19

Pos	Part no.	Qty	Description	
1	106403122	1	ERGO 2000 STANDARD W. HOSE SWIVEL	
2	106403010	1	TORNADO PLUS 1120 BEND W/O NOZZLE	
3	101117655	1	TORNADO NOZZLE 0950 DARK ROSE	6-79
3	101119747	1	NOZZLE + INDICATION RING 0680	6-52 US, 7-67
3	101119748	1	NOZZLE 0700 INDICATION RING ORANGE	6-65
3	101119760	1	NOZZLE 1300 - INDICATION RING BROWN	6-61
3	301150005	1	TORNADO NOZZLE 0475	6-64
4	106403078	1	TURBOHAMMER PLUS 1130 STR./NOZ. W11 1000	6-79
4	301001629	1	REP. KIT TURBOHAMMER W11 100	6-79
4	48872	1	TURBOHAMMER NOZZLE W11 050	6-64
5	1402064	1	15 M 2 WIRE HOSE 3/8 DN10	
5	1402072	1	20 M 2 WIRE HOSE 3/8 DN10	
5	6101766	1	10 M 2 WIRE HOSE 3/8IN DN10	
5	6101767	1	10 M 2 WIRE HOSE 3/8 FOOD	
6	106403145	1	FRONT WHEEL KIT	
7	106403142	1	SANDFILTER RACKED KIT	
8	106403144	1	WATER BRAKE TANK KIT	
8	106403165	1	SANDFILTER FOR WBT KIT	
9	106403160	1	CRANE ROUND SLING 1000KG 50CM	
10	106403162	1	DETERGENT TANK WITH SAFETY CAP	
11	106403143	1	HOSE REEL COMPLETE	
12	101118105	1	HOSE GUIDE COMPLETE	

# Recommended spare parts

POSEIDON 6 FA

12-01-2013

Part List ID

POS618

20

No Drawing For Part List

# Recommended spare parts

POSEIDON 6 FA

12-01-2013

Part List ID  
POSE618

21

Pos	Part no.	Qty	Description	
	101118101	1	HANDLE KIT	
	101118102	1	HOSE REEL HANDLE KIT	
	101118103	1	HOSE GUIDE PARTS KIT	
	101118104	1	SPRING AND LOCK NUT KIT	
	101118105	1	HOSE GUIDE COMPLETE	
	101118106	1	HOSE GUIDE BRAKE COMPLETE KIT	
	101118111	1	HOSE GUIDE KIT	
	107141615	1	RUBBER FOOT	
	107141627	1	SCREW K50X40 T20	
	107141629	1	HOSE HOOK	
	107141630	1	LANCE HOLDER NA	
	107141632	1	CABLE HOOK	
	107141633	1	TERMINAL BLOCK 4Q PE	
	107141634	1	REAR END	
	107141635	1	DETERGENT TANK	
	107141648	1	MANOMETER 0-300 BAR	
	107141650	1	PLATE FOR MANOMETER	
	107141653	1	MANOMETER TUBE FA MODELS	
	107141663	1	RUBBER GROMMET	
	107141664	1	CAP FOR DETERGENT TANK	
	107141667	1	LOCK WASHER	
	107141668	1	WATER INLET PIPE NA5/NA6	
	107141676	1	SWIVEL SCREW FOR HOSE REEL	
	107141679	1	HOSE GUIDE SLEEVE OPEN	
	107141690	1	SCREW M5X12 DIN7985 TORX TAPTITE	
A	101117926	1	FILTER	A
A	101118050	1	SEALING KIT FOR NA6	A
A	101118055	1	MAGNET AND HOUSE FOR FLOW SWITCH-KIT NA6	A
A	101118056	1	RETURN VALVE BY-PASS - KIT NA6	A
A	101118057	1	SEAL KIT FOR CYLINDER BLOCK NA6	A
A	101118061	1	WATER SEAL KIT - NA6	A
A	101118062	1	OUTLET/INLET VALVE KIT - NA6	A
B	101118059	1	RETURN SPRING - KIT NA6	B
B	101118066	1	PISTON KIT NA6	B
B	106408216	1	REED SWITCH	B
C	101117948	1	CAPACITOR 70UF 400/450V DOUBLE FASTON	C
C	101118049	1	CONTROL UNIT - KIT NA6	C
C	101118051	1	PLUG FOR UNLOADER VALVE FA - KIT NA6	C
C	101118063	1	INLET MANIFOLD KIT - NA6	C
C	103822303	1	CONTACTOR CJX2-D18 18A 400V 3P+NO	C
C	103822308	1	CONTACTOR CJX2-D25 25A 400V 3P+NO	C
C	103822314	1	CONTACTOR CJX2-D32 32A 230V 3P+NO	C
C	106408189	1	NUT M8 X 1 FOR UNLOADER VALVE FA	C

# Recommended spare parts

POSEIDON 6 FA

12-01-2013

Part List ID  
POSE618

22

Pos	Part no.	Qty	Description	
C	106408200	1	MOTOR 6.8KW. 3X230/400-220/440	C
C	106408201	1	MOTOR 5.2KW. 1X230	C
C	106408202	1	MOTOR 7.5KW. 3X230/400-220/440	C
C	106408203	1	MOTOR 4.5KW. 3X230/400-220/440	C
C	106408210	1	WOBBLE DISC POLISHED 4.3DEG	C
C	106408211	1	WOBBLE DISC POLISHED 5.05DEG	C
C	106408212	1	WOBBLE DISC POLISHED 5.8DEG	C
C	106408213	1	WOBBLE DISC POLISHED 7.05DEG	C
C	107120703	1	BEARING TRACK	C
C	107141613	1	START RELAY RVA 4N 0D	C
C	107141666	1	PCB POSEIDON 5-6-7	C
C	301000263	1	FUSE 0.63A/500AT Ø 6.	C
C	301000402	1	RESISTANCE 15KOHM/7W	C
C	301001058	1	CAM SWITCH 0-1 10A 400VAC	C
C	31000149	1	REAR BEARING 6306 2Z C3 150 DEGREES RF	C
C	31000151	1	REAR BEARING EME	C
C	3200615	1	AXIAL ROLLER BEARING	C
C	3200656	1	NEEDLE BEARING INA K 40X46X17	C
C	64773	1	AUXILIARY CONTACT 100-SBL11	C