

# POSEIDON 5 >03.2008I

Model:

POSEIDON 5-21  
POSEIDON 5-28  
POSEIDON 5-31  
POSEIDON 5-43  
POSEIDON 5-51  
POSEIDON 5-54  
POSEIDON 5-58  
POSEIDON 5-62  
POSEIDON 5-63  
POSEIDON FAVORITE



Stückliste Deutsch

27-04-2010

**Nilfisk**  
**ALTO**

*Why Compromise*

[www.nilfisk-alto.com](http://www.nilfisk-alto.com)

Ersatzteilbestellungen unter [www.gluesing.net](http://www.gluesing.net)

# Inhalt

POSEIDON 5 >03.2008I

|                                    |           |
|------------------------------------|-----------|
| <b>Gehäuse</b>                     | <b>3</b>  |
| <b>Rahmen</b>                      | <b>5</b>  |
| <b>Motor</b>                       | <b>7</b>  |
| <b>Pump, oiltank</b>               | <b>9</b>  |
| <b>Pumpendichtungssatz</b>         | <b>11</b> |
| <b>Zylinderkopf</b>                | <b>13</b> |
| <b>Regelsicherheitsblock (a)</b>   | <b>15</b> |
| <b>Regelsicherheitsblock (b)</b>   | <b>17</b> |
| <b>Pumpe Komplett</b>              | <b>19</b> |
| <b>Electric box</b>                | <b>21</b> |
| <b>Zubehör/ Sonstiges</b>          | <b>24</b> |
| <b>Schlauchtrommel POSEIDON 5</b>  | <b>26</b> |
| <b>Ersatzteile für Total Check</b> | <b>28</b> |

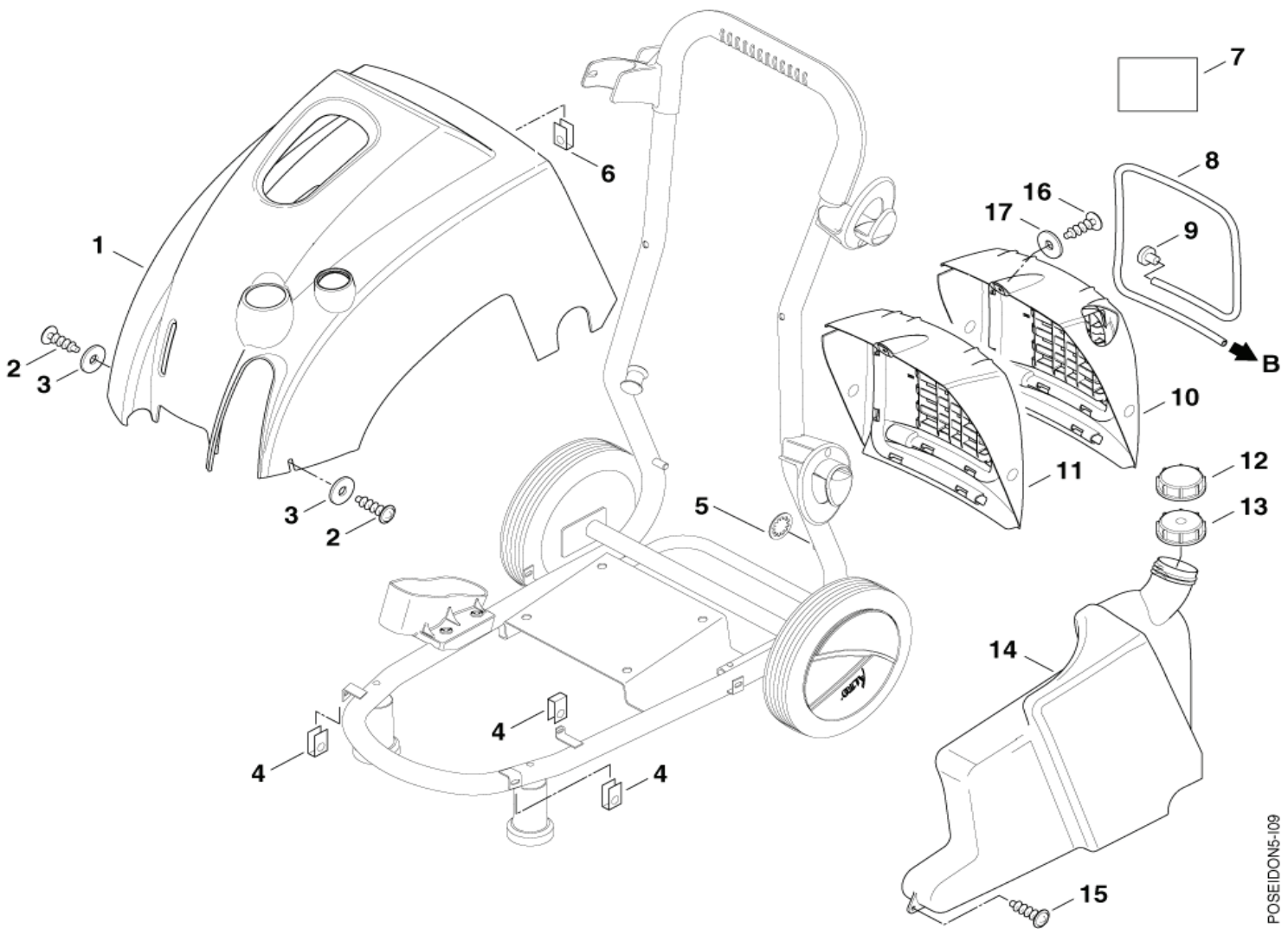
# Gehäuse

POSEIDON 5 >03.2008I

27-04-2010

ET-Liste-Nr.  
POSEIDON509

3



POSEIDON5-109

# Gehäuse

POSEIDON 5 >03.2008I

27-04-2010

ET-Liste-Nr.  
POSEIDON509

4

| Pos | Artikelnr. | Me | Beschreibung                      | EAN                                       |
|-----|------------|----|-----------------------------------|---|
| 1   | 301000763  | 1  | HAUBE                             | 4005337024                                |
| 2   | 40107      | 2  | BLECHSCHRAUBE 4,8X13              | 4005337401                                |
| 3   | 2763       | 2  | SCHEIBE 5,3X1                     | 4005337027                                |
| 4   | 63946      | 3  | FEDERMUTTER 4,8X3                 | 4005337639                                |
| 5   | 5639       | 1  | KLEMMRING >10X2                   | 4005337056                                |
| 6   | 909100161  | 1  | FEDERMUTTER 3,9X2,5               | 4005337035                                |
| 7   | 48083      | 1  | KLEBESCHILD HD-STRAHL             | 4005337480                                |
| 8   | 5206636    | 1  | SCHLAUCH 6/ 10                    | * SEE NOTE<br>5701715046                  |
| 9   | 6400240    | 1  | FILTER                            | 5701715097                                |
| 10  | 301000759  | 1  | ABDECKUNG HINTEN                  | on models with hose reel<br>4005337024    |
| 11  | 301000838  | 1  | ABDECKUNG HINTEN                  | on models without hose reel<br>4005337024 |
| 12  | 80493      | 1  | DECKEL                            | 4005337804                                |
| 13  | 301001004  | 1  | DECKEL GEBOHRT 13                 | 4005337028                                |
| 14  | 301000761  | 1  | BEHÄLTER                          | 4005337024                                |
| 15  | 40107      | 1  | BLECHSCHRAUBE 4,8X13              | 4005337401                                |
| 16  | 30776      | 1  | BLECHSCHRAUBE 3,9X16 C-H ISO 7049 | 4005337307                                |
| 17  | 24353      | 1  | SCHEIBE 4,3X1                     | 4005337243                                |

\* NOTE: PLEASE INDICATE LENGTHS IN METRES WHEN ORDERING

Ersatzteilbestellungen unter [www.gluesing.net](http://www.gluesing.net)

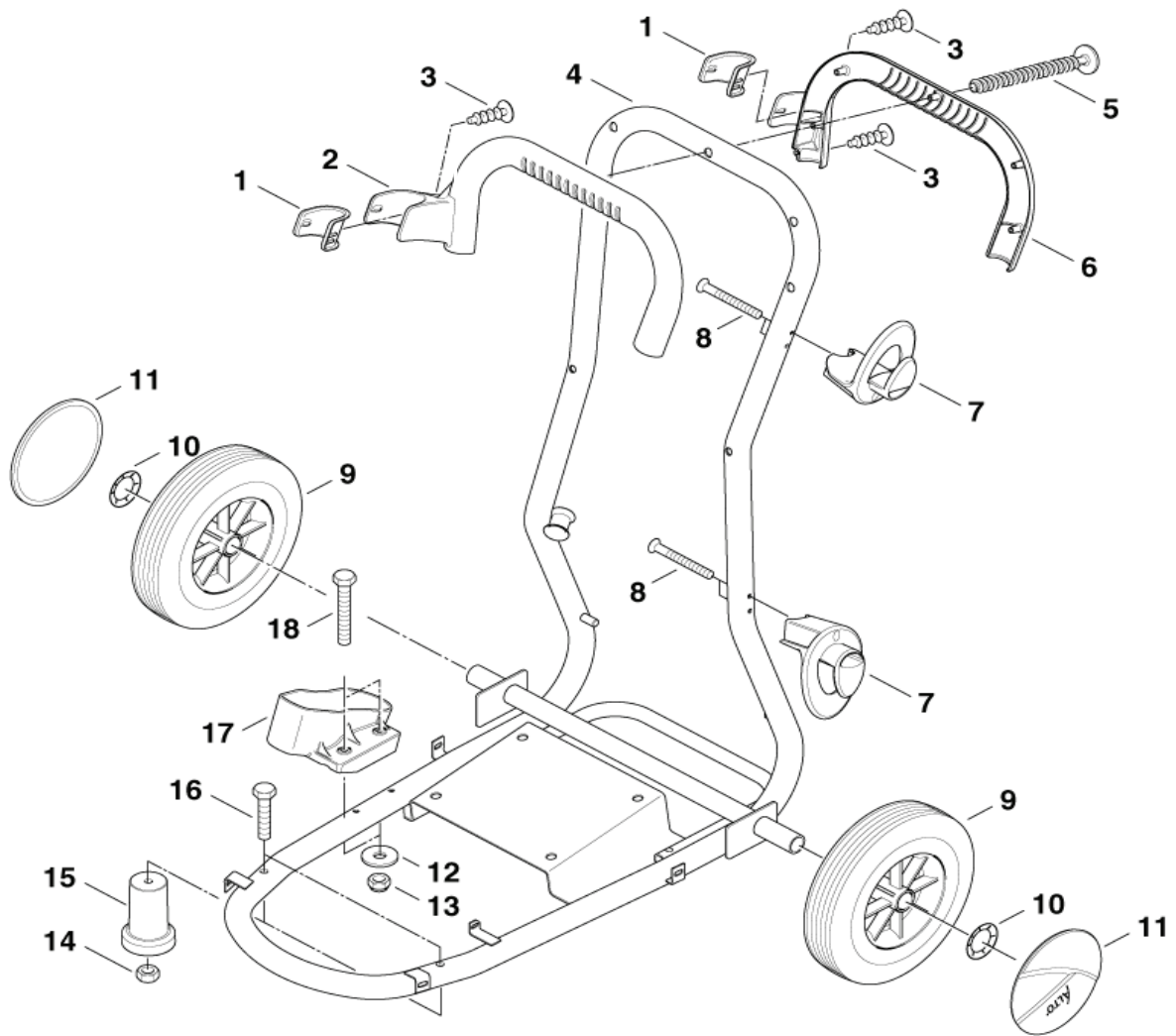
# Rahmen

POSEIDON 5 >03.2008I

27-04-2010

ET-Liste-Nr.  
POSEIDON508

5



POSEIDON5-108

# Rahmen

POSEIDON 5 >03.2008I

27-04-2010

ET-Liste-Nr.  
POSEIDON508

6

| Pos | Artikelnr. | Me | Beschreibung                            | EAN        |
|-----|------------|----|---|------------|
| 1   | 301000803  | 2  | ABLAGE                                  | 4005337024 |
| 2   | 301000806  | 1  | GRIFFSCHALE VORNE                       | 4005337024 |
| 3   | 909100147  | 3  | EJOTSCHRAUBE K40X12 WN 1 452            | 4005337026 |
| 4   | 301000762  | 1  | GRUNDRAHMEN                             | 4005337024 |
| 5   | 909100187  | 5  | EJOTSCHRAUBE K40X25 T20 WN1452 ST/SW-ZN | 4005337052 |
| 6   | 301000805  | 1  | GRIFFSCHALE HINTEN                      | 4005337024 |
| 7   | 301000808  | 2  | HALTER                                  | 4005337024 |
| 8   | 909100149  | 4  | EJOTSCHRAUBE K50X50 WN 14 53            | 4005337026 |
| 9   | 301000989  | 2  | RAD 250X75                              | 4005337027 |
| 10  | 1813799    | 2  | FEDERTELLERSCHEIBE                      | 5701715031 |
| 11  | 301001076  | 2  | RADKAPPE 180                            | 4005337031 |
| 12  | 2766       | 2  | SCHEIBE 6,4X1,6                         | 4005337027 |
| 13  | 3136       | 2  | SECHSKANTMUTTER M6                      | 4005337031 |
| 14  | 61467      | 2  | SECHSKANTMUTTER M8 "TENS ILOCK" ST-ZN   | 4005337614 |
| 15  | 301000979  | 2  | STÜTZFUß 62X94                          | 4005337026 |
| 16  | 2756       | 2  | SECHSKANTSCHRAUBE M8X45                 | 4005337027 |
| 17  | 301000774  | 1  | KÖCHER                                  | 4005337024 |
| 18  | 17749      | 2  | SECHSKANTSCHRAUBE M6X45                 | 4005337177 |

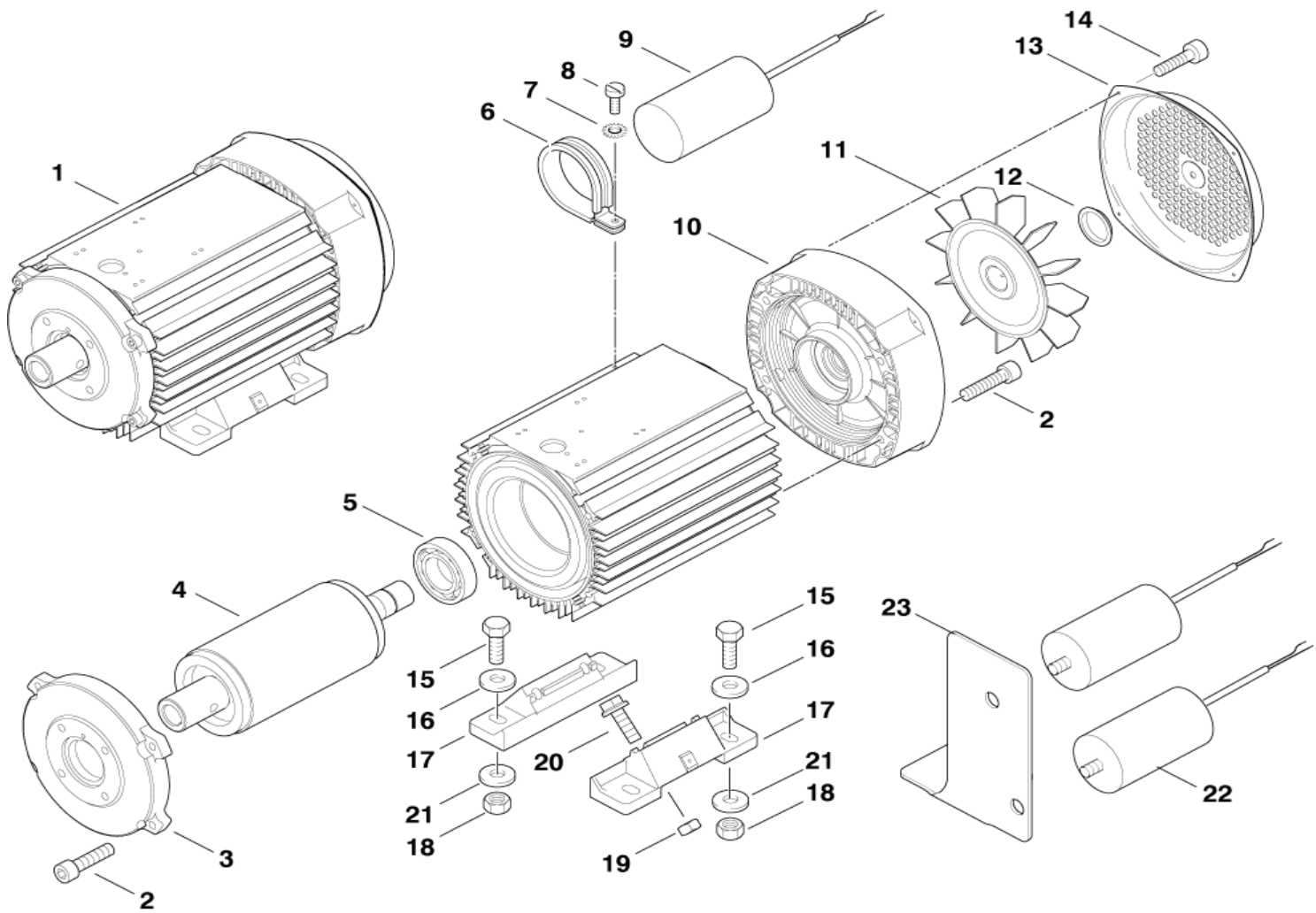
# Motor

POSEIDON 5 >03.2008I

27-04-2010

ET-Liste-Nr.  
POSEIDON501

7



# Motor

POSEIDON 5 &gt;03.2008I

27-04-2010

ET-Liste-Nr.  
POSEIDON501

8

| Pos | Artikelnr. | Me | Beschreibung                   |  | EAN        |
|-----|------------|----|--------------------------------|--|------------|
| 1   | 301000750  | 1  | MOTOR 2,2KW/230/1              | 5-28, 5-31                               | 4005337692 |
| 1   | 301000751  | 1  | MOTOR 4,5KW/230/400/3          | 5-43 50HZ                                | 4005337692 |
| 1   | 301000752  | 1  | MOTOR 5,5KW/230/400/3          | 5-54, 5-58                               | 4005337692 |
| 1   | 301000753  | 1  | MOTOR 6,7KW/230/400/3          | 5-62, 5-63                               | 4005337692 |
| 1   | 301001385  | 1  | MOTOR 5,2KW/200/346/3          | 5-46                                     | 4005337041 |
| 1   | 301001467  | 1  | MOTOR 5,2KW/220/1              | 5-51                                     | 4005337045 |
| 1   | 301001596  | 1  | MOTOR 1.4KW/120/1              | 5-21                                     | 4005337054 |
| 2   | 15045      | 8  | ZYLINDERSCHRAUBE M6X35         | 5-21, 5-28, 5-31                         | 4005337150 |
| 2   | 6863       | 8  | ZYLINDERSCHRAUBE M8X35         | 5-43, 5-46, 5-51, 5-54, 5-58, 5-62, 5-63 | 4005337068 |
| 3   | 301001119  | 1  | MOTORFLANSCH                   | 5-43, 5-46, 5-51, 5-54, 5-58, 5-62, 5-63 | 4005337032 |
| 3   | 301001120  | 1  | MOTORFLANSCH                   | 5-21, 5-28, 5-31                         | 4005337032 |
| 4   | 301001121  | 1  | ROTOR MOTOR 2,2KW              | 5-28, 5-31                               | 4005337032 |
| 4   | 301001122  | 1  | ROTOR MOTOR 4,5KW              | 5-43                                     | 4005337032 |
| 4   | 301001123  | 1  | ROTOR MOTOR 5,5KW              | 5-46, 5-54, 5-58                         | 4005337032 |
| 4   | 301001124  | 1  | ROTOR MOTOR 6,7KW              | 5-62, 5-63                               | 4005337032 |
| 4   | 301001662  | 1  | ROTOR MOTOR 1,4KW              | 5-21                                     | 4005337058 |
| 4   | 301001665  | 1  | ROTOR MOTOR 5.2KW              | 5-51                                     | 4005337058 |
| 5   | 5905       | 1  | WÄLZLAGER 6306-2Z              | 5-43, 5-46, 5-51, 5-54, 5-58, 5-62, 5-63 | 4005337059 |
| 5   | 6367       | 1  | WÄLZLAGER 6206-2Z              | 5-21, 5-28, 5-31                         | 4005337063 |
| 6   | 301001093  | 1  | BEFESTIGUNGSSCHELLE 50, 8X16,3 | 5-21, 5-28, 5-31, 5-51                   | 4005337031 |
| 7   | 3376       | 1  | FÄCHERSCHEIBE 5,3              | 5-21, 5-28, 5-31, 5-51                   | 4005337033 |
| 8   | 3348       | 1  | ZYLINDERSCHRAUBE M5X10         | 5-21, 5-28, 5-31, 5-51                   | 4005337033 |
| 9   | 301001017  | 1  | BETRIEBSKONDENSATOR 60ÆF /450V | 5-28, 5-31                               | 4005337028 |
| 9   | 301001465  | 2  | CAPACITOR                      | 5-51                                     | 4005337046 |
| 9   | 301001595  | 1  | CAPACITOR                      | 5-21                                     | 4005337055 |
| 10  | 301001113  | 1  | LAGERDECKEL HINTEN             | 5-43, 5-46, 5-51, 5-54, 5-58, 5-62, 5-63 | 4005337032 |
| 10  | 301001114  | 1  | LAGERDECKEL HINTEN             | 5-21, 5-28, 5-31                         | 4005337032 |
| 11  | 301001117  | 1  | LÜFTERRAD                      | 5-43, 5-46, 5-51, 5-54, 5-58, 5-62, 5-63 | 4005337032 |
| 11  | 301001118  | 1  | LÜFTERRAD                      | 5-21, 5-28, 5-31                         | 4005337032 |
| 12  | 301001112  | 1  | KLEMMRING                      |  | 4005337032 |
| 13  | 301001115  | 1  | LÜFTERHAUBE                    | 5-43, 5-46, 5-51, 5-54, 5-58, 5-62, 5-63 | 4005337032 |
| 13  | 301001116  | 1  | LÜFTERHAUBE                    | 5-21, 5-28, 5-31                         | 4005337032 |
| 14  | 8822       | 4  | BLECHSCHRAUBE 3,5X9,5          |  | 4005337088 |
| 15  | 32964      | 4  | SECHSKANTSCHRAUBE M10X30       |  | 4005337329 |
| 16  | 4827       | 4  | SCHEIBE 10,5X2,5               |  | 4005337048 |
| 17  | 301001126  | 2  | MOTORFUß H45MM                 | 5-43, 5-46, 5-51, 5-54, 5-58, 5-62, 5-63 | 4005337033 |
| 17  | 301001127  | 2  | MOTORFUß H51MM                 | 5-21, 5-28, 5-31                         | 4005337033 |
| 18  | 8952       | 4  | SECHSKANTMUTTER M10            |  | 4005337089 |
| 19  | 6052       | 4  | SECHSKANTMUTTER M8             |  | 4005337060 |
| 20  | 27372      | 4  | SCHRAUBE M8X20                 |  | 4005337273 |
| 21  | 2767       | 4  | SCHEIBE 10,5X2                 |  | 4005337027 |
| 22  | 103822210  | 2  | START CAPACITOR 60X120 100UF   |  | 5701715457 |



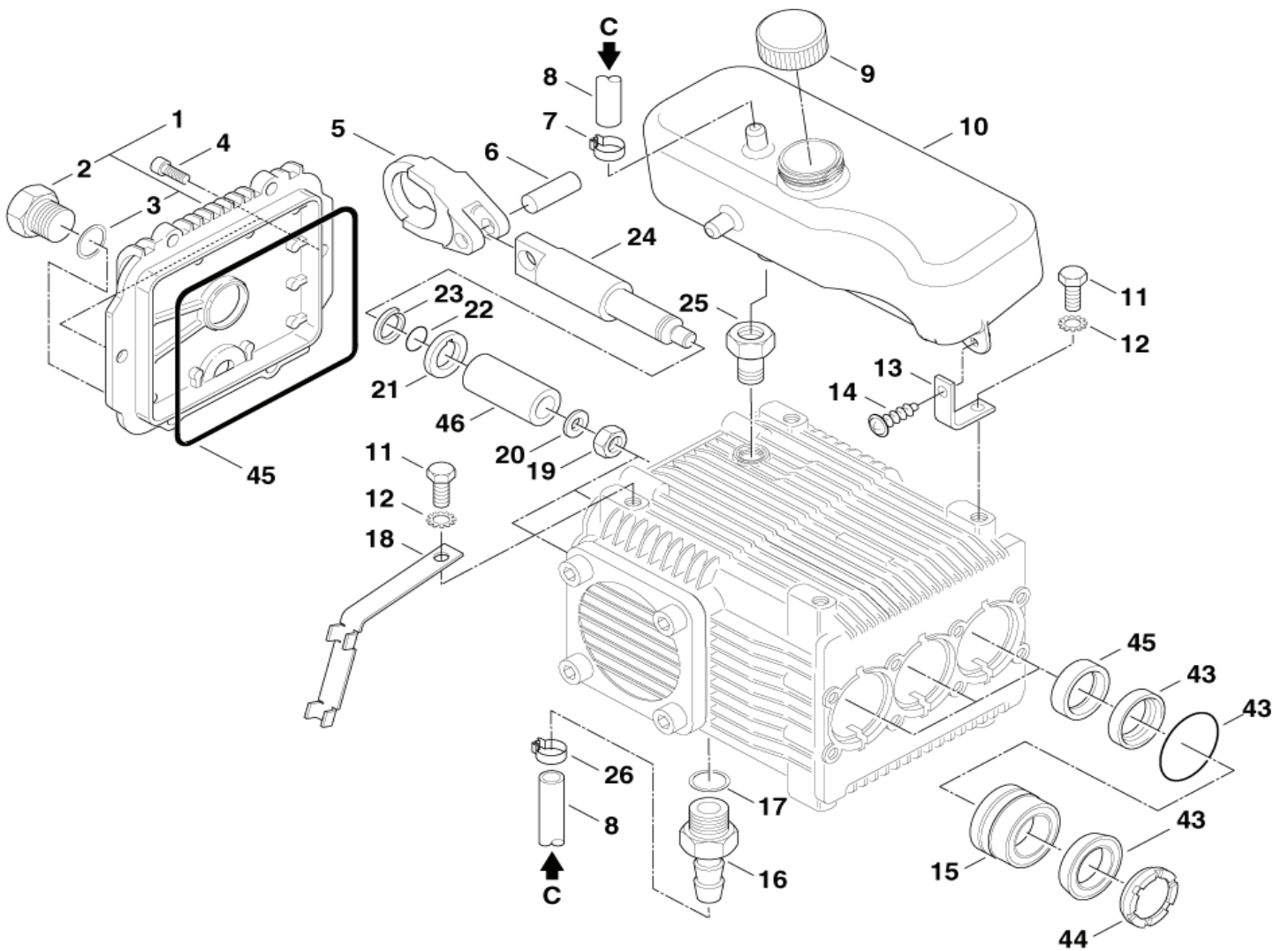
# Pump, oiltank

POSEIDON 5 >03.2008I

27-04-2010

ET-Liste-Nr.  
POSEIDON505

9



POSEIDON5I-05

# Pump, oiltank

## POSEIDON 5 >03.2008I

27-04-2010

ET-Liste-Nr.  
POSEIDON505

10

| Pos | Artikelnr. | Me | Beschreibung                                |                             | EAN        |
|-----|------------|----|---|-----------------------------|------------|
| -   |            | 1  | MONTEURKOSTEN LT. AUF- S. L09852000         | Pump oil SAE 15W 40, 045 l  | 5701715456 |
| 1   | 301001158  | 1  | DECKEL                                      |                             | 4005337034 |
| 2   | 301001135  | 1  | STOPFEN G3/8"                               |                             | 4005337033 |
| 3   | 56554      | 1  | O-RING 14X1,78                              |                             | 4005337565 |
| 4   | 909100158  | 6  | ZYLINDERSCHRAUBE M6X14                      |                             | 4005337035 |
| 5   | 301001168  | 3  | PLEJEL                                      | * SEE NOTE                  | 4005337034 |
| 5   | 301001169  | 3  | ERS M. 301001168 PLEJEL                     | ALUMINIUM: 5-21, 5-28, 5-31 | 4005337034 |
| 6   | 301001138  | 3  | BOLZEN                                      |                             | 4005337033 |
| 7   | 11654      | 1  | SCHLAUCHKLEMME 11,5                         |                             | 4005337116 |
| 8   | 5206636    | 1  | SCHLAUCH 6/ 10                              | ** SEE NOTE                 | 5701715046 |
| 9   | 301001005  | 1  | KAPPE >33X10X11,5                           |                             | 4005337028 |
| 10  | 301000765  | 1  | ÖLTANK                                      |                             | 4005337024 |
| 11  | 8919       | 2  | SECHSKANTSCHRAUBE M8X12                     |                             | 4005337089 |
| 12  | 2803       | 2  | ZAHNSCHEIBE 8,2                             |                             | 4005337028 |
| 13  | 301000975  | 1  | HALTER 2,0X51X20                            |                             | 4005337026 |
| 14  | 1814585    | 1  | SCHRAUBE 3X12                               |                             | 5701715121 |
| 15  | 301001154  | 3  | KOLBENFÜHRUNG 18 "NP5- PUMPE"               | *** SEE NOTE                | 4005337034 |
| 15  | 301001155  | 3  | KOLBENFÜHRUNG 20 "NP5- PUMPE"               | 5-62 50HZ, 5-63             | 4005337034 |
| 16  | 2580       | 1  | SCHLAUCHTÜLLE > 6 G3/8                      |                             | 4005337025 |
| 17  | 56554      | 1  | O-RING 14X1,78                              |                             | 4005337565 |
| 18  | 301000807  | 1  | HALTER 2,0X122X15X10                        |                             | 4005337024 |
| 19  | 909100167  | 3  | SECHSKANTMUTTER M8                          |                             | 4005337038 |
| 20  | 909100165  | 3  | DICHTRING 8X17                              |                             | 4005337038 |
| 21  | 301001139  | 3  | DISTANZSCHEIBE                              |                             | 4005337033 |
| 22  | 3001740    | 3  | O-RING 7,66X1,78                            |                             | 5701715038 |
| 23  | 49900      | 3  | STÜTZRING 8X11X1                            |                             | 4005337499 |
| 24  | 301001156  | 3  | KOLBENSTANGE                                |                             | 4005337034 |
| 25  | 909100150  | 1  | VERSCHRAUBUNG GE15LR 3/8"                   |                             | 4005337028 |
| 26  | 301001133  | 1  | SCHLAUCHKLEMME >10/7                        |                             | 4005337033 |
| 43  | 301001148  | 1  | ET-SET KOLBENDICHTUNG 1 8 (3 ST. ENTHALTEN) |                             | 4005337033 |
| 43  | 301001149  | 1  | ET-SET KOLBENDICHTUNG 2 0                   | 5-62 50HZ, 5-63             | 4005337033 |
| 44  | 301001151  | 1  | ET-SET STÜTZRING 18 (3 ST. ENTHALTEN)       | *** SEE NOTE                | 4005337034 |
| 44  | 301001152  | 1  | ET-SET STÜTZRING 20                         | 5-62 50HZ, 5-63             | 4005337034 |
| 45  | 301001150  | 1  | ET-SET ÖLDICHTUNG                           |                             | 4005337034 |
| 46  | 301001146  | 1  | ET-SET KERAMIKKOLBEN 18                     | *** SEE NOTE                | 4005337033 |
| 46  | 301001147  | 1  | ET-SET KERAMIKKOLBEN 20                     | 5-62 50HZ, 5-63             | 4005337033 |

\* NOTE: BRONZE: 5-43, 5-46, 5-51, 5-54, 5-58, 5-62, 5-63

\*\* NOTE: PLEASE INDICATE LENGTHS IN METRES WHEN ORDERING

\*\*\* NOTE: 5-21, 5-28, 5-31, 5-43, 5-46, 5-51, 5-54, 5-58, 5-62 60HZ

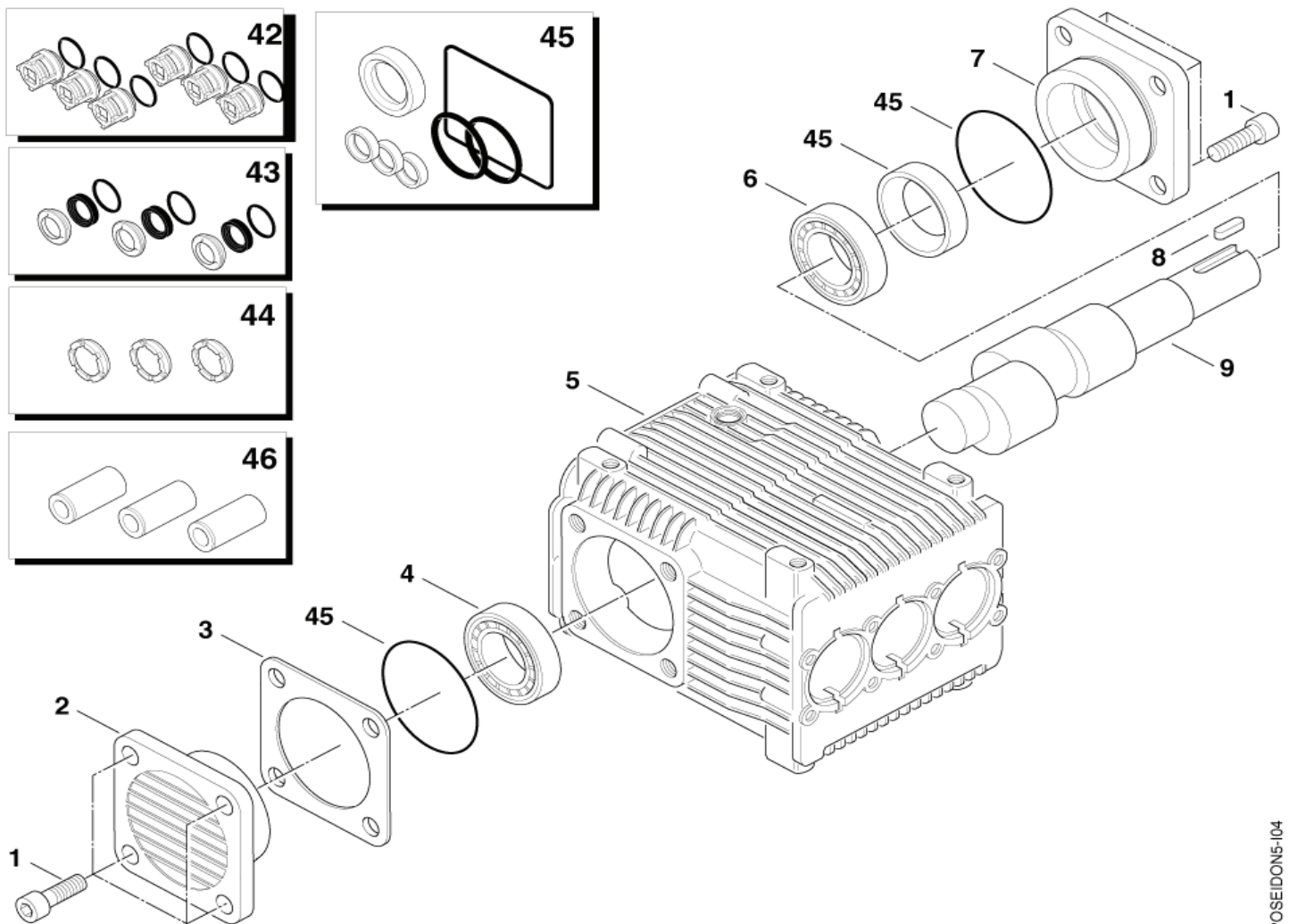
# Pumpendichtungssatz

POSEIDON 5 >03.2008I

27-04-2010

ET-Liste-Nr.  
POSEIDON504

11



POSEIDON5-104

# Pumpendichtungssatz

POSEIDON 5 >03.2008I

27-04-2010

ET-Liste-Nr.  
POSEIDON504

12

| Pos | Artikelnr. | Me | Beschreibung                               | EAN                                      |
|-----|------------|----|--|--|
| 1   | 2788       | 8  | ZYLINDERSCHRAUBE M8X16                     | 4005337027                               |
| 2   | 301001166  | 1  | LAGERDECKEL 80X80X8 GES CHL.               | 4005337034                               |
| 3   | 301001140  | 1  | PASSSCHEIBE 80X80X0,05                     | 4005337033                               |
| 3   | 301001141  | 1  | PASSSCHEIBE 80X80X0,10                     | 4005337033                               |
| 3   | 301001142  | 1  | PASSSCHEIBE 80X80X0,20                     | 4005337033                               |
| 3   | 301001143  | 1  | PASSSCHEIBE 80X80X0,25                     | 4005337033                               |
| 4   | 909100163  | 1  | WÄLZLAGER 30304                            | 4005337036                               |
| 5   | 301001157  | 1  | GEHÄUSE                                    | 4005337034                               |
| 6   | 909100162  | 1  | WÄLZLAGER 30205                            | 4005337036                               |
| 7   | 301001167  | 1  | LAGERDECKEL 80X80X8 OFF EN                 | 4005337034                               |
| 8   | 19639      | 1  | PASSFEDER A 8X7X25                         | 4005337196                               |
| 9   | 301001161  | 1  | KURBELWELLE NO.6                           | 5-28 50HZ<br>4005337034                  |
| 9   | 301001162  | 1  | CRANKSHAFT NO.5                            | 5-31, 5-46 60HZ<br>4005337034            |
| 9   | 301001163  | 1  | KURBELWELLE NO.3                           | 5-43, 5-46 50HZ, 5-62 50HZ<br>4005337034 |
| 9   | 301001164  | 1  | CRANKSHAFT NO.2                            | 5-62 60HZ<br>4005337034                  |
| 9   | 301001165  | 1  | KURBELWELLE NO.1                           | 5-51, 5-54 50HZ, 5-63<br>4005337034      |
| 9   | 301001657  | 1  | CRANKSHAFT NO.7                            | 5-21<br>4005337058                       |
| 9   | 301001658  | 1  | CRANKSHAFT NO.11                           | 5-28 60HZ<br>4005337058                  |
| 9   | 301001659  | 1  | KURBELWELLE F. NP5-PUMPE 4,0G30 ST         | 5-54 60HZ, 5-58<br>4005337058            |
| 42  | 301001153  | 1  | ET-SET VENTILE [6X]                        | 4005337034                               |
| 43  | 301001148  | 1  | ET-SET KOLBENDICHTUNG 1 8 (3 ST. ENHALTEN) | 4005337033                               |
| 43  | 301001149  | 1  | ET-SET KOLBENDICHTUNG 2 0                  | 5-62 50HZ, 5-63<br>4005337033            |
| 44  | 301001151  | 1  | ET-SET STÜTZRING 18 (3 ST. ENHALTEN)       | * SEE NOTE<br>4005337034                 |
| 44  | 301001152  | 1  | ET-SET STÜTZRING 20                        | 5-62 50HZ, 5-63<br>4005337034            |
| 45  | 301001150  | 1  | ET-SET ÖLDICHTUNG                          | 4005337034                               |
| 46  | 301001146  | 1  | ET-SET KERAMIKKOLBEN 18                    | * SEE NOTE<br>4005337033                 |
| 46  | 301001147  | 1  | ET-SET KERAMIKKOLBEN 20                    | 5-62 50HZ, 5-63<br>4005337033            |

\* NOTE: 5-21, 5-28, 5-31, 5-43, 5-46, 5-51, 5-54, 5-58, 5-62 60HZ

Ersatzteilbestellungen unter [www.gluesing.net](http://www.gluesing.net)

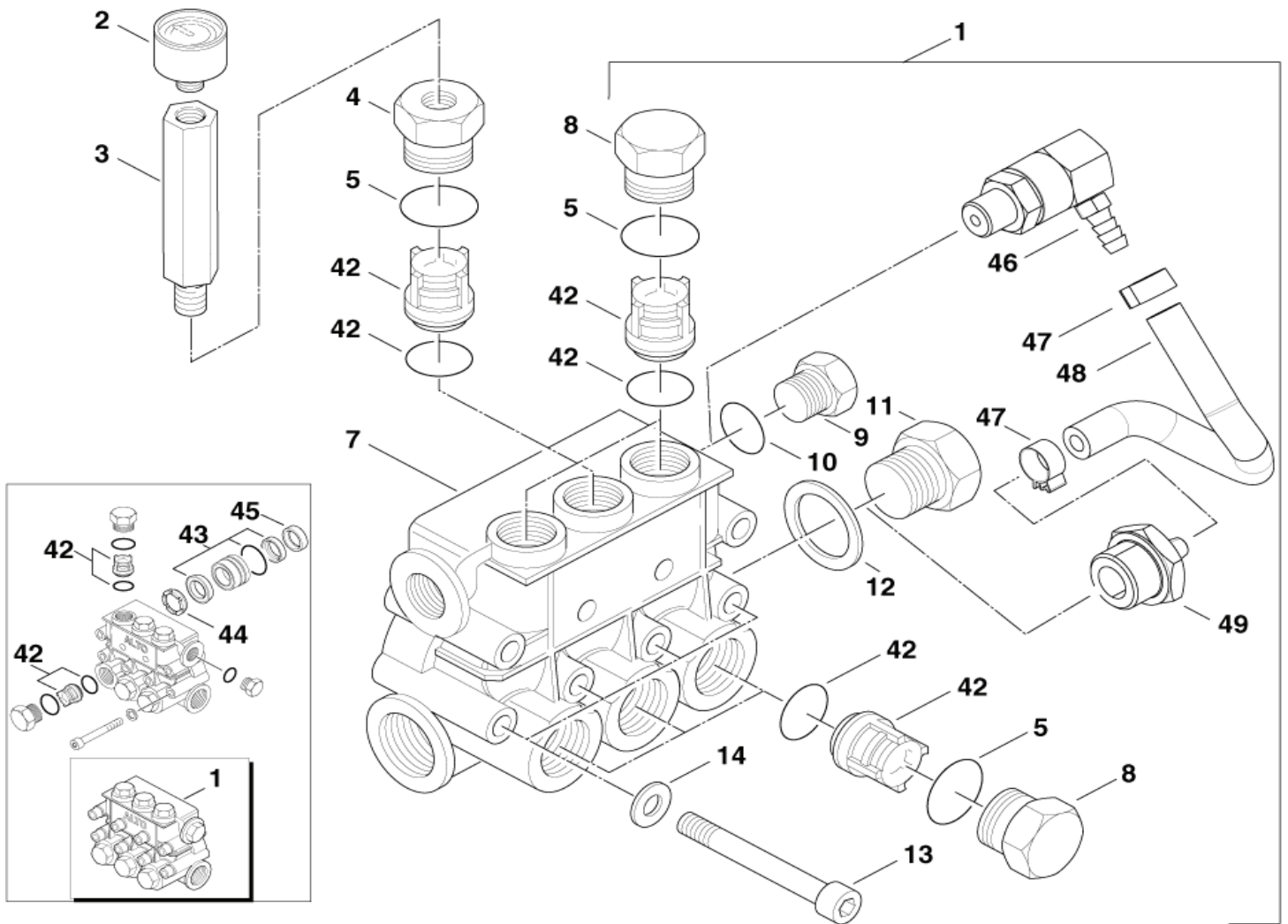
# Zylinderkopf

POSEIDON 5 >03.2008I

27-04-2010

ET-Liste-Nr.  
POSEIDON503

13



POSEIDON5-103

# Zylinderkopf

POSEIDON 5 >03.2008I

27-04-2010

ET-Liste-Nr.  
POSEIDON503

14

| Pos | Artikelnr. | Me | Beschreibung                               |  | EAN        |
|-----|------------|----|--|--|------------|
| 1   | 301001170  | 1  | VENTILBLOCK KPL. 18MM K OLBEN              | * SEE NOTE                                 | 4005337034 |
| 1   | 301001171  | 1  | VENTILBLOCK KPL. 20MM K OLBEN              | 5-62 50HZ, 5-63                            | 4005337034 |
| 2   | 301000246  | 1  | MANOMETER 0-300 BAR                        |  | 4005337671 |
| 3   | 301000982  | 1  | VERLÄNGERUNG G1/8"                         |  | 4005337026 |
| 4   | 301000981  | 1  | STOPFEN M22X1,5 1/8"                       |  | 4005337026 |
| 5   | 103004342  | 6  | O-RING 17,86X2,62                          |  | 5701715296 |
| 7   | 301001172  | 1  | VENTILBLOCK                                |  | 4005337034 |
| 8   | 301001137  | 5  | STOPFEN M22 SW24X21                        |  | 4005337033 |
| 9   | 301001134  | 1  | STOPFEN G3/8"                              |  | 4005337033 |
| 10  | 1409       | 1  | DICHTRING 17X23                            |  | 4005337014 |
| 11  | 301001136  | 1  | STOPFEN G1/2"/SW24X17                      |  | 4005337033 |
| 12  | 5127       | 1  | DICHTRING 21X26                            |  | 4005337051 |
| 13  | 1814597    | 8  | ZYLINDERSCHRAUBE M8X70                     |  | 5701715124 |
| 14  | 909100168  | 8  | SICHERUNGSSCHEIBE 8                        |  | 4005337038 |
| 42  | 301001153  | 1  | ET-SET VENTILE [6X]                        |  | 4005337034 |
| 43  | 301001148  | 1  | ET-SET KOLBENDICHTUNG 1 8 (3 ST. ENHALTEN) |  | 4005337033 |
| 43  | 301001149  | 1  | ET-SET KOLBENDICHTUNG 2 0                  | 5-62 50HZ, 5-63                            | 4005337033 |
| 44  | 301001151  | 1  | ET-SET STÜTZRING 18 (3 ST. ENHALTEN)       | ** SEE NOTE                                | 4005337034 |
| 44  | 301001152  | 1  | ET-SET STÜTZRING 20                        | 5-62 50HZ, 5-63                            | 4005337034 |
| 45  | 301001150  | 1  | ET-SET ÖLDICHTUNG                          |  | 4005337034 |
| 46  | 301002483  | 1  | EASY START VALVE NEPTUNE                   | 5-51, not included in Pos. 1               | 4005337102 |
| 47  | 7239       | 2  | SCHLAUCHSCHELLE 14,5                       | 5-51, not included in Pos. 1               | 4005337072 |
| 48  | 9175       | 1  | SCHLAUCH DN 6X3 GUM                        | 5-51, not included in Pos. 1, *** SEE NOTE | 4005337091 |
| 49  | 107120313  | 1  | SCHLAUCHTÜLLE 6/R1/2"                      | 5-51, not included in Pos. 1               | 5701715296 |

\* NOTE: 5-21, 5-28, 5-31, 5-43, 5-46, 5-51, 5-54, 5-58, 5-62 60HZ, Pos. 46-49 not included

\*\* NOTE: 5-21, 5-28, 5-31, 5-43, 5-46, 5-51, 5-54, 5-58, 5-62 60HZ

\*\*\* NOTE: Lengths in metres - Please indicate required length when or

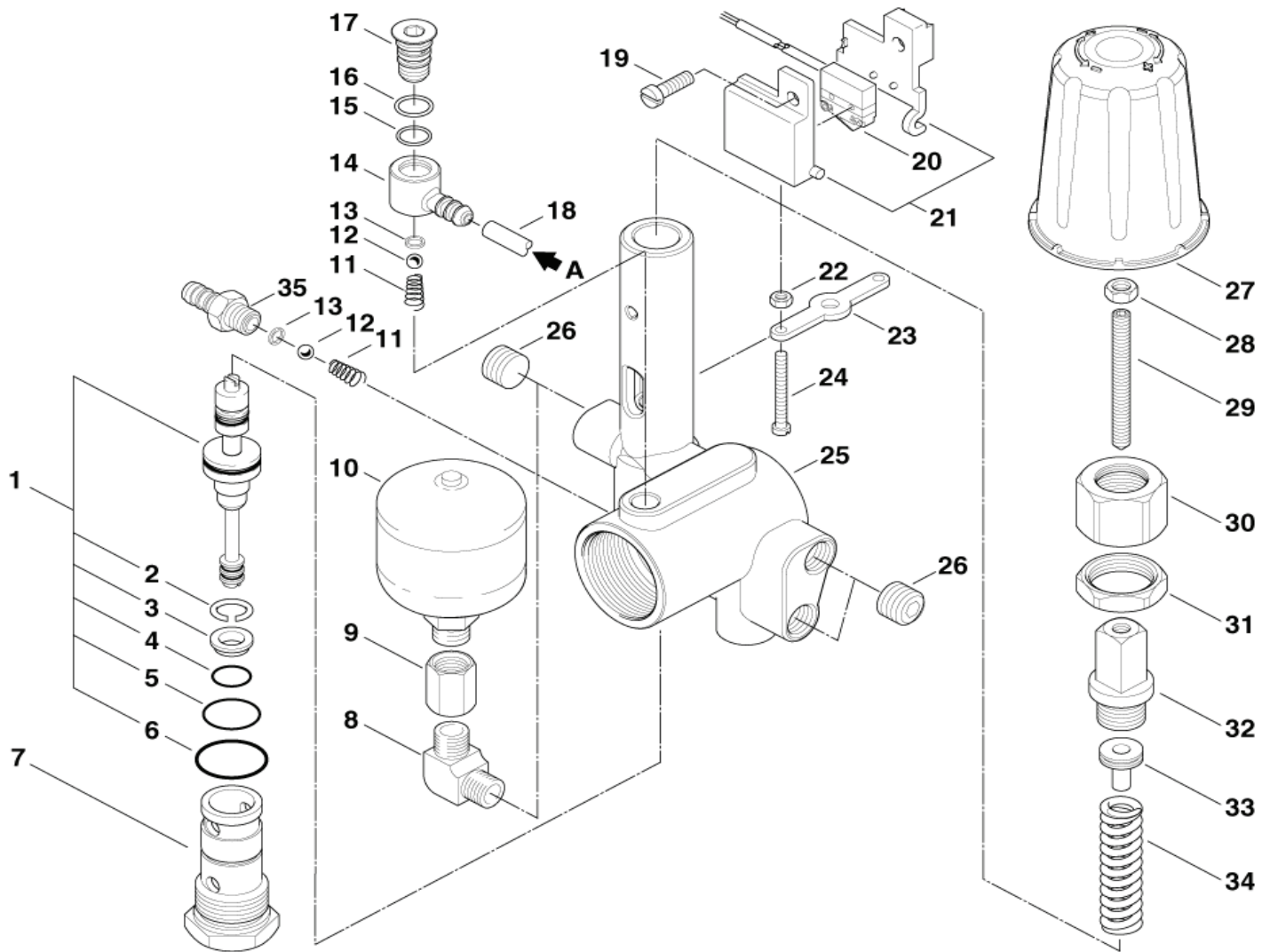
# Regelsicherheitsblock (a)

POSEIDON 5 >03.2008I

27-04-2010

ET-Liste-Nr.  
POSEIDON506

15



POSEIDON5-106

# Regelsicherheitsblock (a)

POSEIDON 5 >03.2008I

27-04-2010

ET-Liste-Nr.  
POSEIDON506

16

| Pos | Artikelnr. | Me | Beschreibung                            | EAN                                     |
|-----|------------|----|---|---|
| 1   | 64314      | 1  | REPARATURSATZ                           | 4005337643                              |
| 2   | 909100001  | 1  | SPRENGRING 14                           | 4005337003                              |
| 3   | 62708      | 1  | VENTILSITZ 8,5/ 11,4/ 1 3,9X4           | 4005337627                              |
| 4   | 49461      | 1  | O-RING 11X1,5                           | 4005337494                              |
| 5   | 9523       | 1  | O-RING 17X1,5                           | 4005337095                              |
| 6   | 32091      | 1  | O-RING 21X2                             | 4005337320                              |
| 7   | 64301      | 1  | HOHLSCHRAUBE M24X1,5                    | 4005337643                              |
| 8   | 1618       | 1  | VERSCHRAUBUNG GL10 R1/4                 | 5-21, 5-51, 5-58, 5-63<br>4005337016    |
| 9   | 63136      | 1  | MUFFE M16X1,5                           | 5-21, 5-51, 5-58, 5-63<br>4005337631    |
| 10  | 63090      | 1  | HYDROSPEICHER 0,14 250B AR              | 5-21, 5-51, 5-58, 5-63<br>4005337630    |
| 11  | 41132      | 1  | DRUCKFEDER 0,3X4,7                      | 4005337411                              |
| 12  | 9580       | 1  | KUGEL 5,5                               | 4005337095                              |
| 13  | 301001216  | 1  | DICHTSITZ >6,6X>4X1,7                   | 4005337036                              |
| 14  | 301001200  | 1  | RINGTÜLLE >7 >12/11                     | =>28.12.2003 <br>4005337035             |
| 15  | 3001740    | 1  | O-RING 7,66X1,78                        | =>28.12.2003 <br>5701715038             |
| 16  | 7424       | 1  | O-RING 8,76X1,8                         | =>28.12.2003 <br>4005337074             |
| 17  | 301001199  | 1  | HOHLSCHRAUBE M10X1                      | =>28.12.2003 <br>4005337035             |
| 18  | 5206636    | 1  | SCHLAUCH 6/ 10                          | * SEE NOTE<br>5701715046                |
| 19  | 3349       | 1  | ZYLINDERSCHRAUBE M5X16                  | 4005337033                              |
| 20  | 301000952  | 1  | ENDSCHALTER 250V 0,1A                   | WITH, MIT ELECTRONICS<br>4005337026     |
| 20  | 301000953  | 1  | ENDSCHALTER 250V 5A                     | WITHOUT, OHNE ELECTRONICS<br>4005337026 |
| 21  | 62401      | 1  | HALTER (ERS. FÜR 6182937)               | 4005337624                              |
| 22  | 2759       | 1  | SECHSKANTMUTTER M4                      | 4005337027                              |
| 23  | 62717      | 1  | SCHALTFAHNE                             | 4005337627                              |
| 24  | 5076       | 1  | ZYLINDERSCHRAUBE M4X25                  | 4005337050                              |
| 25  | 301000787  | 1  | GEHÄUSE                                 | 4005337025                              |
| 26  | 6262       | 3  | VERSCHLUSSSCHRAUBE R1/4"                | 4005337062                              |
| 27  | 301000804  | 1  | DREHKNOPF                               | 4005337024                              |
| 28  | 3136       | 1  | SECHSKANTMUTTER M6                      | 4005337031                              |
| 29  | 62711      | 1  | GEWINDESTIFT M6X60                      | 4005337627                              |
| 30  | 62710      | 1  | ÜBERWURFMUTTER M24X1,5X2 1              | 4005337627                              |
| 31  | 62696      | 1  | SECHSKANTMUTTER M24X1,5X 6              | 4005337626                              |
| 32  | 62712      | 1  | HOHLSCHRAUBE M16X1X9                    | 4005337627                              |
| 33  | 62695      | 1  | FEDERAUFLAGE                            | 4005337626                              |
| 34  | 40972      | 1  | DRUCKFEDER 3,5X10,5X54                  | 4005337409                              |
| 35  | 301001392  | 1  | SCHLAUCHTÜLLE 8/M10X1                   | 29.12.2003=><br>4005337041              |
| 99  | 301000904  | 1  | REGELSICHERHEITSBLOCK POS EIDON5 250BAR | 4005337023                              |

\* NOTE: PLEASE INDICATE LENGTHS IN METRES WHEN ORDERING



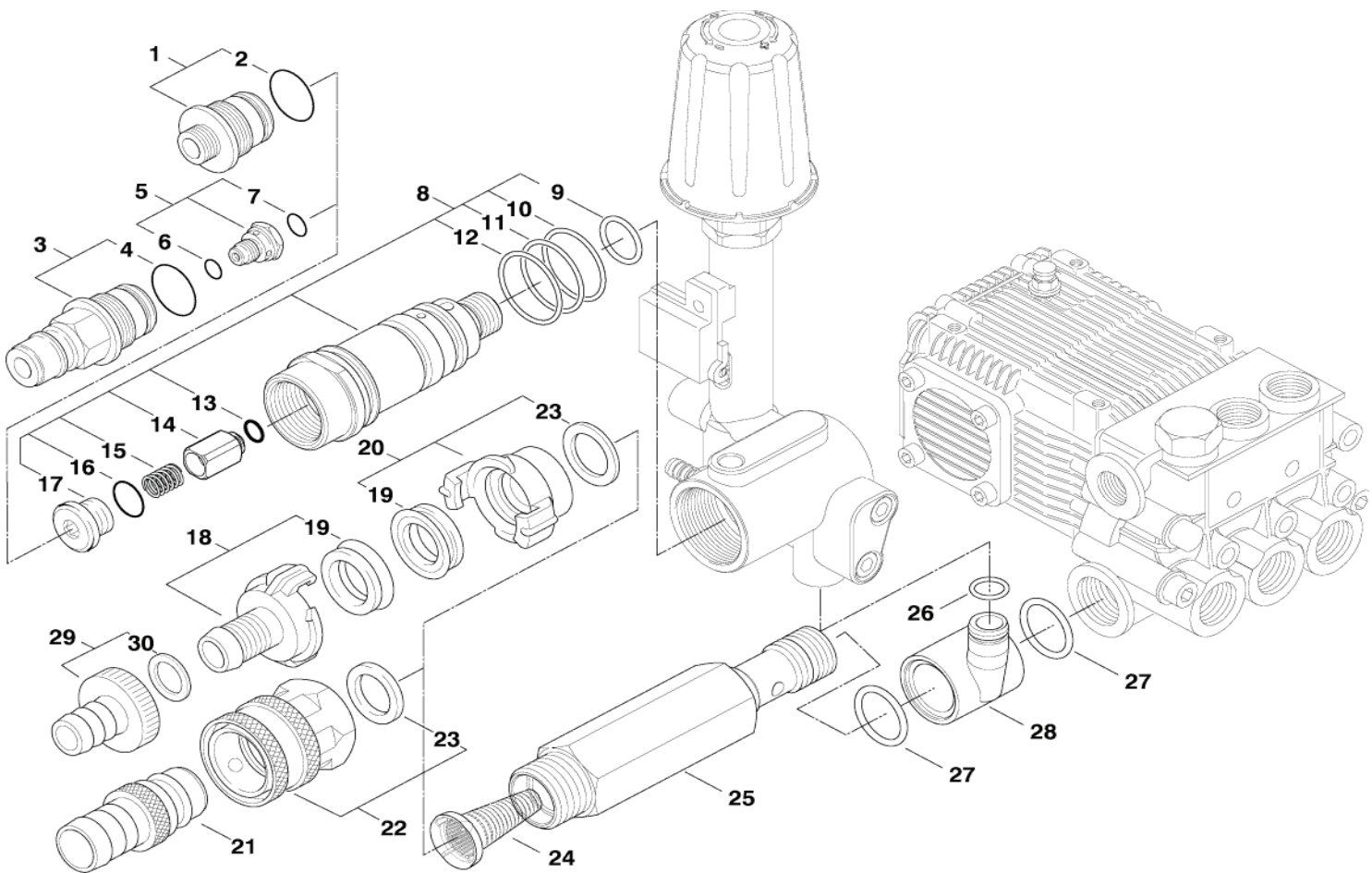
# Regelsicherheitsblock (b)

POSEIDON 5 >03.2008I

27-04-2010

ET-Liste-Nr.  
POSEIDON507

17



# Regelsicherheitsblock (b)

POSEIDON 5 >03.2008I

27-04-2010

ET-Liste-Nr.  
POSEIDON507

18

| Pos | Artikelnr. | Me Beschreibung                     |                              | EAN        |
|-----|------------|-------------------------------------|------------------------------|------------|
| 1   | 64224      | 1 ADAPTER HD-AUSGANG M27X1, 5/G3/8" |                              | 4005337642 |
| 2   | 32091      | 1 O-RING 21X2                       |                              | 4005337320 |
| 3   | 64236      | 1 KONVERTER M27X1,5                 |                              | 4005337642 |
| 4   | 32091      | 1 O-RING 21X2                       |                              | 4005337320 |
| 5   | 62155      | 1 INJEKTORDÜSE >1,8X2,6             | 5-21, 5-28, 5-31, 5-43       | 4005337621 |
| 5   | 62156      | 1 INJEKTORDÜSE >1,9X2,8             | 5-51, 5-54, 5-46, 5-58, 5-62 | 4005337621 |
| 5   | 62157      | 1 INJEKTORDÜSE 2X3                  | 5-63                         | 4005337621 |
| 6   | 16925      | 1 O-RING 8X2                        |                              | 4005337169 |
| 7   | 1381       | 1 O-RING 14X2                       |                              | 4005337013 |
| 8   | 64304      | 1 HOHLSCHRAUBE                      |                              | 4005337643 |
| 9   | 16443      | 1 O-RING 17X2                       |                              | 4005337164 |
| 10  | 64307      | 1 O-RING 23,47X2,62                 |                              | 4005337643 |
| 11  | 64306      | 1 O-RING 25,07X2,62                 |                              | 4005337643 |
| 12  | 64305      | 1 O-RING 28,24X2,62                 |                              | 4005337643 |
| 13  | 9858       | 1 O-RING 6X3                        |                              | 4005337098 |
| 14  | 6187135    | 1 KOLBEN 14,6                       |                              | 5701715290 |
| 15  | 14522      | 1 DRUCKFEDER 0,7X9,7X14,5           |                              | 4005337145 |
| 16  | 16998      | 1 O-RING 14X1,5                     |                              | 4005337169 |
| 17  | 64309      | 1 STOPFEN M16X1                     |                              | 4005337643 |
| 18  | 1311       | 1 GEKA-SCHLAUCHTÜLLE 3/4"           | =>31.01.2005]                | 4005337013 |
| 19  | 6502       | 1 DICHTUNG GEKA-KUPPL.              | =>31.01.2005]                | 4005337065 |
| 20  | 1718       | 1 GEKA GEWINDESTÜCK 3/4"l           | =>31.01.2005]                | 4005337017 |
| 21  | 1600659    | 1 NIPPEL, SCHNELLKUPPLUNG           |                              | 5701715023 |
| 21  | 1605872    | 1 NIPPEL 29X32                      | *US*                         | 5701715026 |
| 22  | 1602945    | 1 KUPPLUNG KPL. 3/4" WASSERZULAUF   |                              | 5701715024 |
| 23  | 3001237    | 1 DICHTRING 24,5X16X3               |                              | 5701715037 |
| 24  | 101117926  | 1 FILTER                            |                              | 4005337177 |
| 25  | 301000980  | 1 HOHLSCHRAUBE G1/2-G3/4"           |                              | 4005337026 |
| 26  | 13739      | 1 O-RING 10,0 X2,0 DIN 3770 NBR70   |                              | 4005337137 |
| 27  | 24347      | 2 O-RING 21X2,5                     |                              | 4005337243 |
| 28  | 301000778  | 1 RÜCKLAUF 30,9X34                  |                              | 4005337025 |
| 29  | 61369      | 1 SCHLAUCHTÜLLE D20R3/4"            |                              | 4005337613 |
| 30  | 46487      | 1 DICHTRING 21X29X2,5               |                              | 4005337464 |

# Pumpe Komplett

POSEIDON 5 >03.2008I

27-04-2010

ET-Liste-Nr.  
POSEIDON5PUMP

19

Keine Zeichnung zur ET-Liste

# Pumpe Komplett

POSEIDON 5 >03.2008I

27-04-2010

ET-Liste-Nr.  
POSEIDON5PUMP

20

| Pos | Artikelnr. | Me | Beschreibung                          |                 | EAN        |
|-----|------------|----|---------------------------------------|-----------------|------------|
|     | 301000789  | 1  | PUMP NP5 11.14 N 11L/MIN 140BAR ALTO  | 5-31            | 4005337020 |
|     | 301000790  | 1  | PUMPE NP5                             | 5-43, 5-46 50HZ | 4005337020 |
|     | 301000791  | 1  | PUMPE NP5 15L / 200 BAR               | 5-51, 5-54 50HZ | 4005337020 |
|     | 301000792  | 1  | PUMPE NP5                             | 5-62 50HZ       | 4005337020 |
|     | 301000793  | 1  | PUMPE NP5                             | 5-63            | 4005337020 |
|     | 301000994  | 1  | PUMPE NP5                             | 5-28            | 4005337027 |
|     | 301000995  | 1  | PUMPE NP5                             | 5-46 60HZ       | 4005337027 |
|     | 301001462  | 1  | PUMPE NP5 4G30                        | 5-54 60HZ, 5-58 | 4005337045 |
|     | 301001463  | 1  | PUMP NP5 4,5G30 N                     | 5-62 60HZ       | 4005337045 |
|     | 301001580  | 1  | PUMP NP5 28G22 N 10L/MIN 150BAR ALTO  | 5-28 60HZ       | 4005337052 |
| 0   | 301001619  | 1  | PUMP NP5 2.5G22N 9.4L/MIN 150BAR ALTO | 5-21            | 4005337055 |

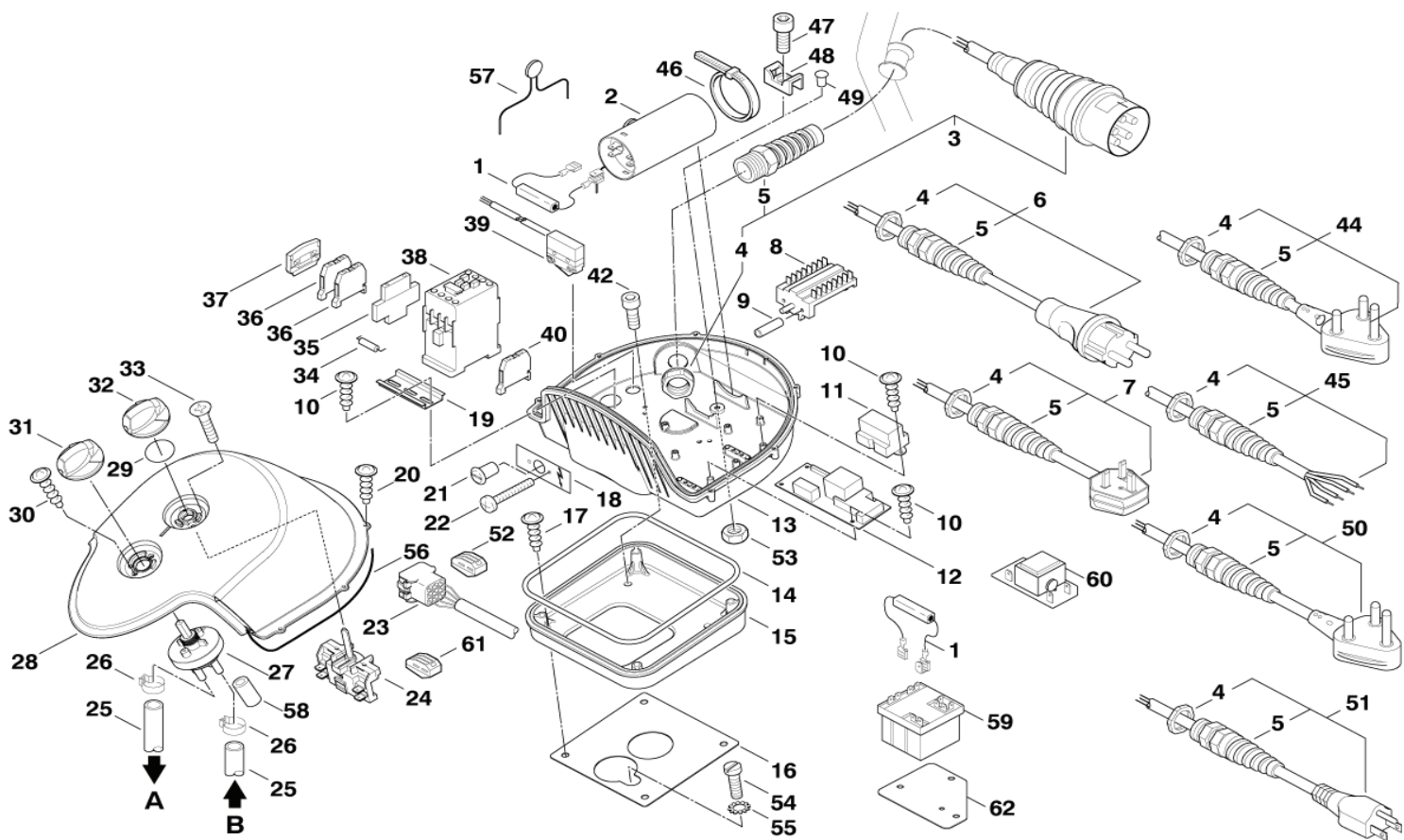
# Electric box

POSEIDON 5 >03.2008I

27-04-2010

ET-Liste-Nr.  
POSEIDON502

21



# Electric box

POSEIDON 5 >03.2008I

27-04-2010

ET-Liste-Nr.  
POSEIDON502

22

| Pos | Artikelnr. | Me Beschreibung                              |   | EAN        |
|-----|------------|--|---|------------|
| -   | 107140162  | 1 CONVERSION KIT POSEIDON 5-51 1 PH US       | US, for machines produced before 18.09.08 | 4005337158 |
| 1   | 301000402  | 1 WIDERSTAND 15KOHM/7W                       | 5-21, 5-28, 5-31, 5-51                    | 4005337680 |
| 2   | 301001056  | 1 ANLAUFKONDENSATOR 98ÆF/3 30V               | 5-21, 5-28, 5-31                          | 4005337030 |
| 3   | 301000834  | 1 NETZLEITUNG H07RN-F 4G1, 5X6               | 400/3/50 *EU*                             | 4005337021 |
| 4   | 909100019  | 1 SECHSKANTMUTTER M20X1,5                    |   | 4005337016 |
| 4   | 909100020  | 1 HEXAGON NUT M25X1,5                        | 5-46, 5-51, 5-58                          | 4005337017 |
| 5   | 909100043  | 1 KABELVERSCHRAUBUNG M20X1,5                 |   | 4005337679 |
| 5   | 909100198  | 1 CORD FIXING M25X1,5                        | 5-46, 5-51, 5-58                          | 4005337056 |
| 6   | 301000829  | 1 NETZLEITUNG H07RN-F 3G1, 5X6               | 230/1/50 *EU*, 220/1/60*TW*KR*            | 4005337021 |
| 7   | 301000912  | 1 NETZLEITUNG H07RN-F 3G1, 5X6               | 230/1/50 *GB*                             | 4005337023 |
| 8   | 301000293  | 1 DREHSCHALTER STERN-DREIECK 16A             | 220/440/3/60 *US*KR*TW*                   | 4005337672 |
| 8   | 64579      | 1 DREHSCHALTER STERN-DREIECK 16A             | 230/400/3/50 *BE*NO*                      | 4005337645 |
| 9   | 64581      | 2 ROHR 10X 4X20                              | * SEE NOTE                                | 4005337645 |
| 10  | 909100046  | 2 SCHRAUBE 4X8                               |   | 4005337679 |
| 11  | 11060      | 1 ANLASSRELAIS 220V AC                       | 5-21, 5-28, 5-31                          | 4005337110 |
| 12  | 301001104  | 1 ELEKTRONIK F. KALTWASSER MIT MICROSCHALTER | E NOTE                                    | 4005337032 |
| 12  | 301001660  | 1 ELEKTRONIKSTEUERUNG 120V                   | 5-21                                      | 4005337058 |
| 13  | 301000768  | 1 SCHALTKASTENUNTERTEIL                      |   | 4005337024 |
| 14  | 101406054  | 1 DICHTUNG                                   |   | 5701715457 |
| 15  | 301000769  | 1 ADAPTERPLATTE                              | 5-21, 5-28, 5-31                          | 4005337024 |
| 16  | 301001183  | 1 DICHTUNG 101,5X101,5X3                     |   | 4005337034 |
| 17  | 11565      | 4 SCHRAUBE 5X18                              |   | 4005337115 |
| 18  | 64586      | 1 KLEBESCHILD "230-400V UM SCHALTUNG"        | 230/400/3/50 *BE*NO*                      | 4005337645 |
| 18  | 64787      | 1 LABEL 220-440V CHANGE-OVER 74X28           | 220/440/3/60*US*KR*TW*                    | 4005337647 |
| 19  | 22290      | 1 GERÄTETRAGSCHIENE                          | *** SEE NOTE                              | 4005337222 |
| 20  | 1814585    | 6 SCHRAUBE 3X12                              |   | 5701715121 |
| 21  | 64580      | 1 DREHKNOFF                                  | ***** SEE NOTE                            | 4005337645 |
| 22  | 40045      | 2 FLACHKOPFSCHRAUBE M4X30                    | ***** SEE NOTE                            | 4005337400 |
| 23  | 301000949  | 1 LEITUNG MOTOR 7-POL.                       | 230/1/50,60, 120/1/60                     | 4005337026 |
| 23  | 301000950  | 1 LEITUNG MOTOR 9-POL.                       | 400/3/50                                  | 4005337026 |
| 23  | 301000951  | 1 LEITUNG MOTOR 9-POL.                       | ***** SEE NOTE                            | 4005337026 |
| 23  | 301001383  | 1 LEITUNG MOTOR 9-POL.                       | 200/3/50,60, 220/1/60*US*                 | 4005337041 |
| 24  | 301001058  | 1 NOCKENSCHALTER 10A/400VA C                 |   | 4005337030 |
| 25  | 5206636    | 1 SCHLAUCH 6/ 10                             | *** SEE NOTE                              | 5701715046 |
| 26  | 301001133  | 2 SCHLAUCHKLEMME >10/7                       |   | 4005337033 |
| 27  | 301001000  | 1 DOSIERVENTIL 51X70                         |   | 4005337028 |
| 28  | 301000767  | 1 SCHALTKASTENOBERTEIL                       |   | 4005337024 |
| 29  | 9868       | 1 O-RING 10X2,5                              |   | 4005337098 |
| 30  | 1814730    | 2 SCHRAUBE 3,5X10                            |   | 5701715363 |
| 31  | 909100214  | 1 DREHKNOFF 4KT.                             |   | 4005337026 |

\* NOTE: 230/400/3/50 \*BE\*NO\*, 220/440/3/60 \*US\*KR\*TW\*

\*\* NOTE: 5-28, 5-31, 5-46, 5-51, 5-54\*KR\*TW\*, 5-58, 5-62\*KR\*TW\*, DSS

\*\*\* NOTE: PLEASE INDICATE LENGTHS IN METRES WHEN ORDERING

\*\*\*\* NOTE: 230/400/3/50 \*BE\*NO\*, 220/440/3/60 \*US\*KR\*TW\*

# Electric box

POSEIDON 5 >03.2008I

27-04-2010

ET-Liste-Nr.  
POSEIDON502

23

| Pos | Artikelnr. | Me Beschreibung                        |  | EAN        |
|-----|------------|--|--|------------|
| 32  | 909100204  | 1 DREHKNOFF 6X5                        |  | 4005337689 |
| 33  | 18274      | 2 SENKSCHRAUBE M4X12                   |  | 4005337182 |
| 34  | 301000074  | 1 WIDERSTAND 470 OHM/3W                | ***** SEE NOTE                           | 4005337008 |
| 35  | 64773      | 1 HILFSKONTAKT 100-SBL11               | ***** SEE NOTE                           | 4005337647 |
| 36  | 301000687  | 2 REIHENKLEMME 2X2,5MMY                | 5-21, 5-28, 5-51                         | 4005337691 |
| 37  | 301000689  | 1 ABSCHLUSSPLATTE 4MM                  | 5-21, 5-28, 5-31                         | 4005337691 |
| 38  | 103822303  | 1 CONTACTOR CJX2-D18-V7 400V           | 400/3/50                                 | 4005337165 |
| 38  | 103822304  | 1 CONTACTOR CJX2-D18-P7 230V           | 220,230/1/50,60                          | 4005337178 |
| 38  | 103822309  | 1 CONTACTOR CJX2-D25-P7 230V           | **** NOTE                                | 4005337178 |
| 38  | 103822310  | 1 CONTACTOR CJX2-D25-M7 200V           | 200/3/50,60                              | 5715492057 |
| 38  | 103822311  | 1 CONTACTOR CJX2-D25-F7 110V           | 120/1/60                                 | 5715492057 |
| 38  | 103822315  | 1 CONTACTOR CJX2-D32-M7 220V           | 220/1/60                                 | 4005337165 |
| 39  | 301000952  | 1 ENDSCHALTER 250V 0,1A                | WITH, MIT ELECTRONICS                    | 4005337026 |
| 39  | 301000953  | 1 ENDSCHALTER 250V 5A                  | WITHOUT, OHNE ELECTRONICS                | 4005337026 |
| 40  | 14506      | 1 REIHENKLEMME GR-GE 10QMM             | 5-51                                     | 4005337145 |
| 40  | 3817483    | 1 REIHENKLEMME ERDE WK4                |  | 5701715043 |
| 42  | 10369      | 4 ZYLINDERSCHRAUBE M5X25               | 5-21, 5-28, 5-31                         | 4005337103 |
| 42  | 32535      | 4 ZYLINDERSCHRAUBE M5X16               | 5-43, 5-46, 5-51, 5-54, 5-58, 5-62, 5-63 | 4005337325 |
| 44  | 301000407  | 1 NETZLEITUNG SJOW AWG10/3 X9          | 220/1/60*US*                             | 4005337680 |
| 45  | 301000833  | 1 NETZLEITUNG H07RN-F 4G2, 5X6         | **** SEE NOTE                            | 4005337021 |
| 45  | 301001384  | 1 NETZLEITUNG VCT 4X3,5X11             | 200/3/50,60 *JP*                         | 4005337041 |
| 45  | 301001466  | 1 NETZLEITUNG SOW AWG12/4X1            | 220,460/3/60*US*                         | 4005337045 |
| 46  | 15884      | 1 KABELBAND 4,7X1,3X350                | 5-21, 5-28, 5-31, 5-51                   | 4005337158 |
| 47  | 3288       | 1 ZYLINDERSCHRAUBE M4X8                | 5-21, 5-28, 5-31, 5-51                   | 4005337032 |
| 48  | 1814621    | 1 HALTER KABELBINDER                   | 5-21, 5-28, 5-31, 5-51                   |            |
| 49  | 301001219  | 1 STOPFEN D 6,0 X D 8,0X5,4 SCHWARZ PE | 5-43, 5-46, 5-51, 5-54, 5-58, 5-62, 5-63 | 4005337037 |
| 50  | 301001390  | 1 NETZLEITUNG H07RN-F 3G1,5            | 230/1/50*ZA*                             | 4005337041 |
| 51  | 3821316    | 1 POWER CORD AWG12/3X11 SJTOW          | 120/1/60 *US*                            | 4005337115 |
| 52  | 301001229  | 1 FEDERKLEMME 3X4 Q MM 400V 24A GRAU   | 400/3/50, 220/1/60                       | 4005337038 |
| 53  | 15319      | 1 SECHSKANTMUTTER M4                   | 5-21, 5-28, 5-31                         | 4005337153 |
| 54  | 1804699    | 1 SCHRAUBE M5X6                        |  | 5701715029 |
| 55  | 3376       | 1 FÄCHERSCHEIBE 5,3                    |  | 4005337033 |
| 56  | 101406054  | 1 DICHTUNG                             | *** SEE NOTE                             | 5701715457 |
| 57  | 301002353  | 1 CURRENT LIMITER 5W                   | 5-28, 5-31, 5-51                         | 4005337083 |
| 58  | 301001906  | 1 VERSCHLUßKAPPE 12X21,5 NR/SBR        |  | 4005337068 |
| 59  | 103822212  | 1 STARTER RELAY COLDWATER RVAH4AH0D    | 5-51                                     | 5701715457 |
| 60  | 301002462  | 1 TRANSFORMER BOARD 230V/24V 2VA       | 5-51                                     | 4005337101 |
| 61  | 301002165  | 1 CAGE CLAMP TERMINAL 5POL             | 5-51                                     | 4005337080 |

\* NOTE: 230/400/3/50 \*BE\*NO\*, 220/440/3/60 \*US\*KR\*TW\*

\*\* NOTE: 5-28, 5-31, 5-46, 5-51, 5-54\*KR\*TW\*, 5-58, 5-62\*KR\*TW\*, DSS

\*\*\* NOTE: PLEASE INDICATE LENGTHS IN METRES WHEN ORDERING

\*\*\*\* NOTE: 230/400/3/50 \*BE\*NO\*, 220/440/3/60 \*US\*KR\*TW\*

# Zubehör/ Sonstiges

POSEIDON 5 >03.2008I

27-04-2010

ET-Liste-Nr.

POS522

24

Keine Zeichnung zur ET-Liste



# Zubehör/ Sonstiges

POSEIDON 5 >03.2008I

27-04-2010

ET-Liste-Nr.

POS522

25

| Pos | Artikelnr. | Me | Beschreibung                                    |                                | EAN        |
|-----|------------|----|---|--------------------------------|------------|
| 0   | 106403122  | 1  | ERGO 2000 STANDARD                              |                                | 4005337168 |
| 0   | 106403123  | 1  | ERGO 2000 VARIOPRESS                            |                                | 4005337168 |
| 1   | 101119484  | 1  | REP.-SATZ GELENK PISTOLE "ERGO3000"             | 5-41, 5-47, 5-55, 5-61         | 5701715295 |
| 1   | 101119738  | 1  | HD-DÜSE 0400 TORNADO GRAUMETALLIC 1/8"          | 5-41 5-41                      | 5701715324 |
| 1   | 101119741  | 1  | HD-DÜSE 0500 TORNADO GELB 1/8"                  | 5-47, 5-55                     | 5701715324 |
| 1   | 101119742  | 1  | HD-DÜSE 0530 TORNADO ROT 1/8"                   | 5-61                           | 5701715324 |
| 1   | 101119743  | 1  | HD-DÜSE 0550 TORNADO NEONGRÜN 1/8"              | 5-31                           | 5701715324 |
| 1   | 101405770  | 1  | HD-SCHLAUCH DN 8X10M QUICK G3/8 150ØC           | 5-31, 5-41, 5-47, 5-55, 5-61   | 5701715330 |
| 1   | 106402120  | 1  | TORNADO 3000 LANZE 1040 GEBOGEN OHNE DÜSE       | , 5-47, 5-55, 5-61             | 5701715324 |
| 1   | 106402140  | 1  | STRAHLROHR FLEXOPOWER LANZE 1070 GEBOGEN O.DÜSE |                                | 5701715324 |
| 1   | 106402171  | 1  | TURBOHAMMER ERGO 3000 050 W11 LANZE 1070 GERADE |                                | 5701715329 |
| 1   | 106402172  | 1  | TURBOHAMMER ERGO 3000 070 W11 LANZE 1070 GERADE |                                | 5701715324 |
| 1   | 106402175  | 1  | TURBOHAMMER ERGO 3000 055 W11 LANZE 1070 GERADE |                                | 5701715329 |
| 1   | 301001100  | 1  | HD-SCHLAUCH DN8X15M OHNE KNICKSCHUTZ            | 5-31XT, 5-41XT, 5-55XT, 5-61XT | 4005337031 |
| 1   | 301001310  | 1  | SCHLAUCHTROMMEL POSEIDON 5                      | 5-31XT, 5-41XT, 5-55XT, 5-61XT | 4005337040 |
| 1   | 301002410  | 1  | PISTOLE "ERGO 1000 STANDARD"                    | 5-31                           | 4005337088 |
| 1   | 301002411  | 1  | PISTOLE "ERGO 1000 VARIO PRESS"                 | 5-41, 5-55, 5-61               | 4005337090 |

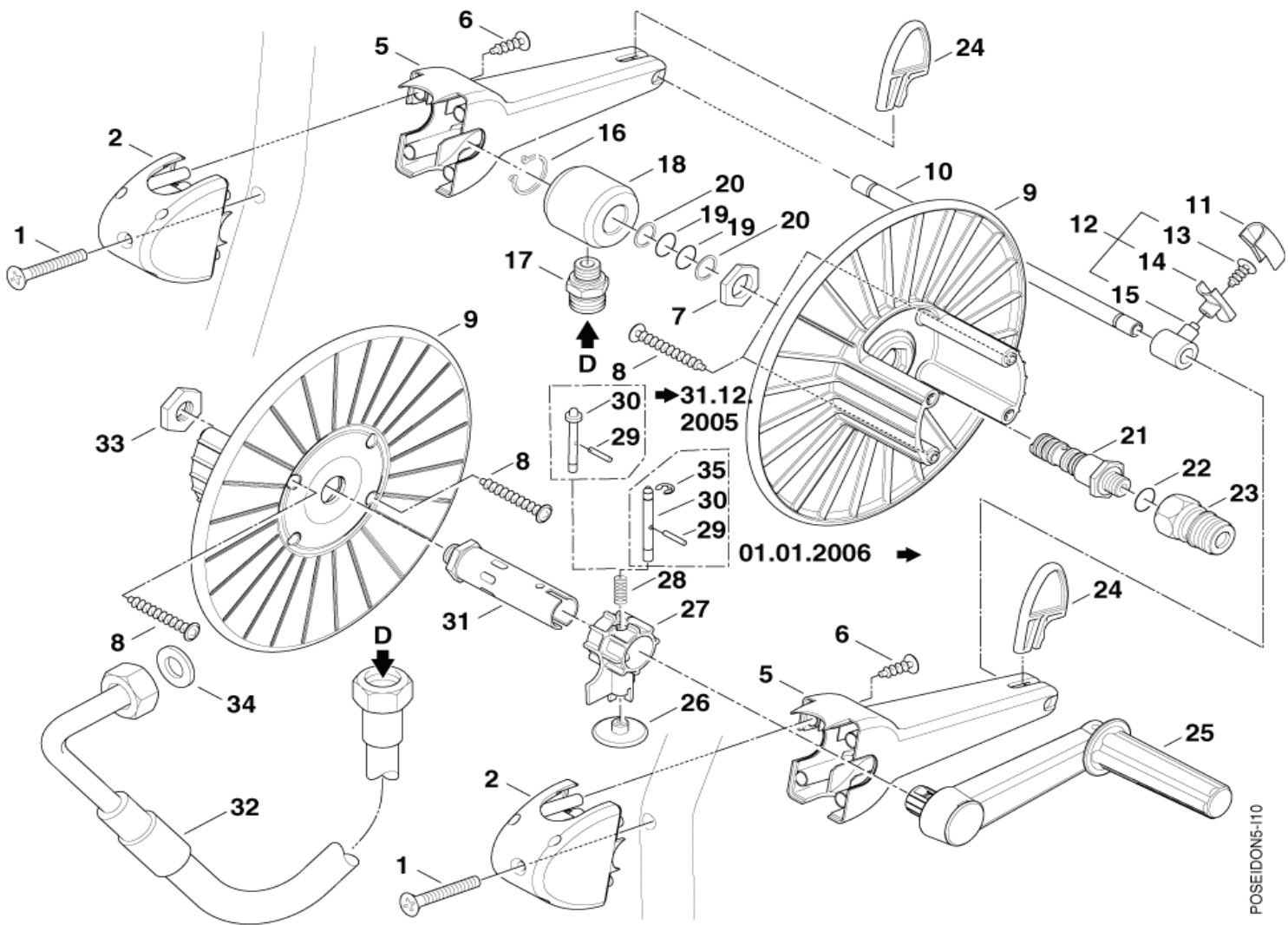
# Schlauchtrommel POSEIDON 5

POSEIDON 5 >03.2008I

27-04-2010

ET-Liste-Nr.  
POSEIDON510

26



# Schlauchtrommel POSEIDON 5

POSEIDON 5 >03.2008I

27-04-2010

ET-Liste-Nr.  
POSEIDON510

27

| Pos | Artikelnr. | Me Beschreibung                    | EAN        |
|-----|------------|------------------------------------|------------|
| 0   | 301001310  | 1 SCHLAUCHTROMMEL POSEIDON 5       | 4005337040 |
| 1   | 909100154  | 2 LINSENENKSCHEIBE M6X45 ISO 7047  | 4005337033 |
| 2   | 301000809  | 2 HALTER                           | 4005337024 |
| 5   | 301000929  | 2 HALTER 224X94X60                 | 4005337025 |
| 6   | 1814641    | 4 EJECTSCHRAUBE K50X30 WN 14 52    | 5701715268 |
| 7   | 62696      | 1 SECHSKANTMUTTER M24X1,5X 6       | 4005337626 |
| 8   | 909100153  | 4 SCHRAUBE 6X40                    | 4005337032 |
| 9   | 301000775  | 2 SCHLAUCHTROMMEL-HÄLFTE           | 4005337024 |
| 10  | 107140355  | 1 GUIDE PIPE 12X315                | 4005337157 |
| 11  | 301000674  | 1 SCHLAUCHFÜHRUNG OBERTEIL         | 4005337021 |
| 12  | 301000780  | 1 SCHLAUCHFÜHRUNG 70X40            | 4005337022 |
| 13  | 10028      | 1 SCHRAUBE 5X14                    | 4005337100 |
| 14  | 301000676  | 1 SCHLAUCHFÜHRUNG UNTERTEIL        | 4005337021 |
| 15  | 301000672  | 1 LAGERBOCK 33,2X27X20             | 4005337021 |
| 16  | 32524      | 1 SICHERUNGSRING 20X1,2            | 4005337325 |
| 17  | 54590      | 1 VERSCHRAUBUNG XGE12L/1/4 NPT     | 4005337545 |
| 18  | 301000977  | 1 LAGERBUCHSE                      | 4005337026 |
| 19  | 19620      | 2 O-RING 15,54X2,62                | 4005337196 |
| 20  | 63792      | 2 STÜTZRING 16,26X2,18             | 4005337637 |
| 21  | 301000976  | 1 HOHLSCHRAUBE G3/8"               | 4005337026 |
| 22  | 1801075    | 1 DICHTRING 23,8X 17,2X2           | 5701715027 |
| 23  | 1600493    | 1 NIPPEL 3/8", SCHNELLKUPPLUNG     | 5701715023 |
| 24  | 301000927  | 2 HALTER 64X40X9                   | 4005337025 |
| 25  | 301000733  | 1 KURBEL 190X175X45                | 4005337022 |
| 26  | 301001008  | 1 PILZGRIFF                        | 4005337028 |
| 27  | 301001010  | 1 GEHÄUSE                          | 4005337028 |
| 28  | 909100151  | 1 DRUCKFEDER                       | 4005337028 |
| 29  | 16067      | 1 SPANNSTIFT 3,0X14 ISO875 2       | 4005337160 |
| 30  | 301001009  | 1 RASTBOLZEN 12X60 M6              | 4005337028 |
| 31  | 301001007  | 1 ACHSE 28X112                     | 4005337028 |
| 32  | 301001092  | 1 HD-SCHLAUCH 8X1175               | 4005337031 |
| 33  | 909100145  | 1 MUTTER 6KT/G 3/8"X6              | 4005337026 |
| 34  | 65466      | 1 DICHTRING 8,0X15,0X1,0 DI N 7603 | 4005337654 |
| 35  | 1806538    | 1 SICHERUNGSSCHEIBE D 5 DIN 6799   | 4005337112 |

# Ersatzteile für Total Check

POSEIDON 5 >03.2008I

27-04-2010

ET-Liste-Nr.  
POSEIDON5REC

28

Keine Zeichnung zur ET-Liste

# Ersatzteile für Total Check

POSEIDON 5 >03.2008I

27-04-2010

ET-Liste-Nr.  
POSEIDON5REC

29

| Pos | Artikelnr. | Me | Beschreibung              | EAN        |
|-----|------------|----|---------------------------|------------|
|     | 301001961  | 1  | TOTALCHECK P5-28/43 KIT A | 4005337069 |
|     | 301001962  | 1  | TOTALCHECK P5-54/62 KIT A | 4005337069 |
|     | 301001963  | 1  | TOTALCHECK P5-63 KIT A    | 4005337069 |
|     | 301001964  | 1  | TOTALCHECK P5-28/43 KIT B | 4005337069 |
|     | 301001965  | 1  | TOTALCHECK P5-54 KIT B    | 4005337069 |
|     | 301001966  | 1  | TOTALCHECK P5-54 XT       | 4005337069 |
|     | 301001967  | 1  | TOTALCHECK P5-62 KIT B    | 4005337069 |
|     | 301001968  | 1  | TOTALCHECK P5-63 KIT B    | 4005337069 |