

# MAXXI 4

Model:

MAXXI 4-29

MAXXI 4-32

MAXXI 4-45

MAXXI 4-69

MAXXI 4-73



Stückliste Deutsch

29-10-2012

**Nilfisk**  
**ALTO**  
works for you

[www.nilfisk-alto.com](http://www.nilfisk-alto.com)

Ersatzteilbestellungen unter [www.gluesing.net](http://www.gluesing.net)

# Inhalt

MAXXI 4

<b>Frame, cabinet</b>	<b>3</b>
<b>Motor</b>	<b>5</b>
<b>Pumpe</b>	<b>8</b>
<b>Pumpendichtungssatz</b>	<b>10</b>
<b>Pump NP5</b>	<b>12</b>
<b>Pump, kits NP5</b>	<b>14</b>
<b>Regelsicherheitsblock (a)</b>	<b>16</b>
<b>Regelsicherheitsblock (b)</b>	<b>18</b>
<b>Schaltkasten</b>	<b>20</b>
<b>Zubehör/ Sonstiges</b>	<b>23</b>
<b>Zubehör</b>	<b>25</b>

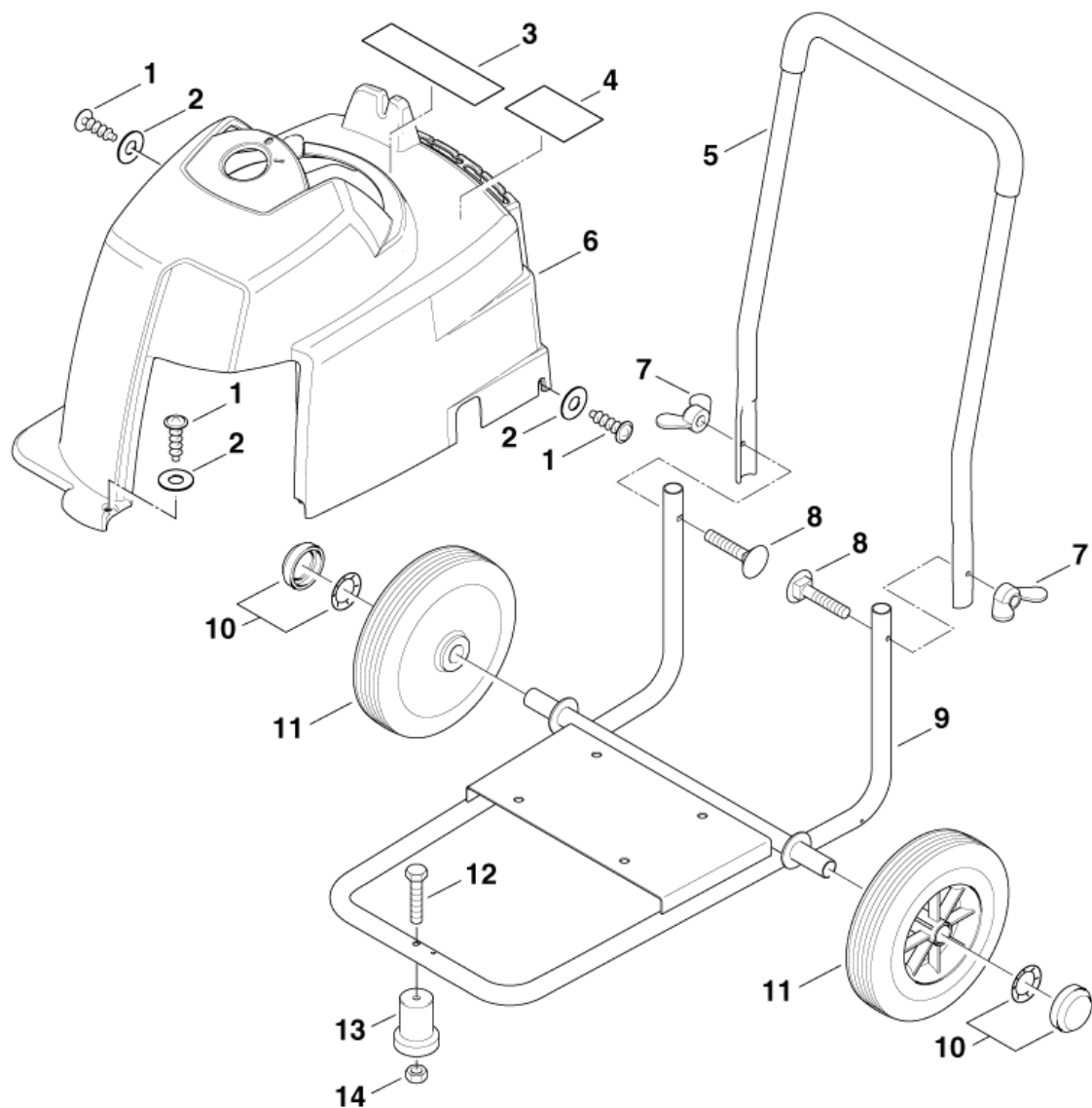
# Frame, cabinet

MAXXI 4

29-10-2012

ET-Liste-Nr.  
MAXXI409

3



MAXXI4-109

# Frame, cabinet

MAXXI 4

29-10-2012

ET-Liste-Nr.  
MAXXI409

4

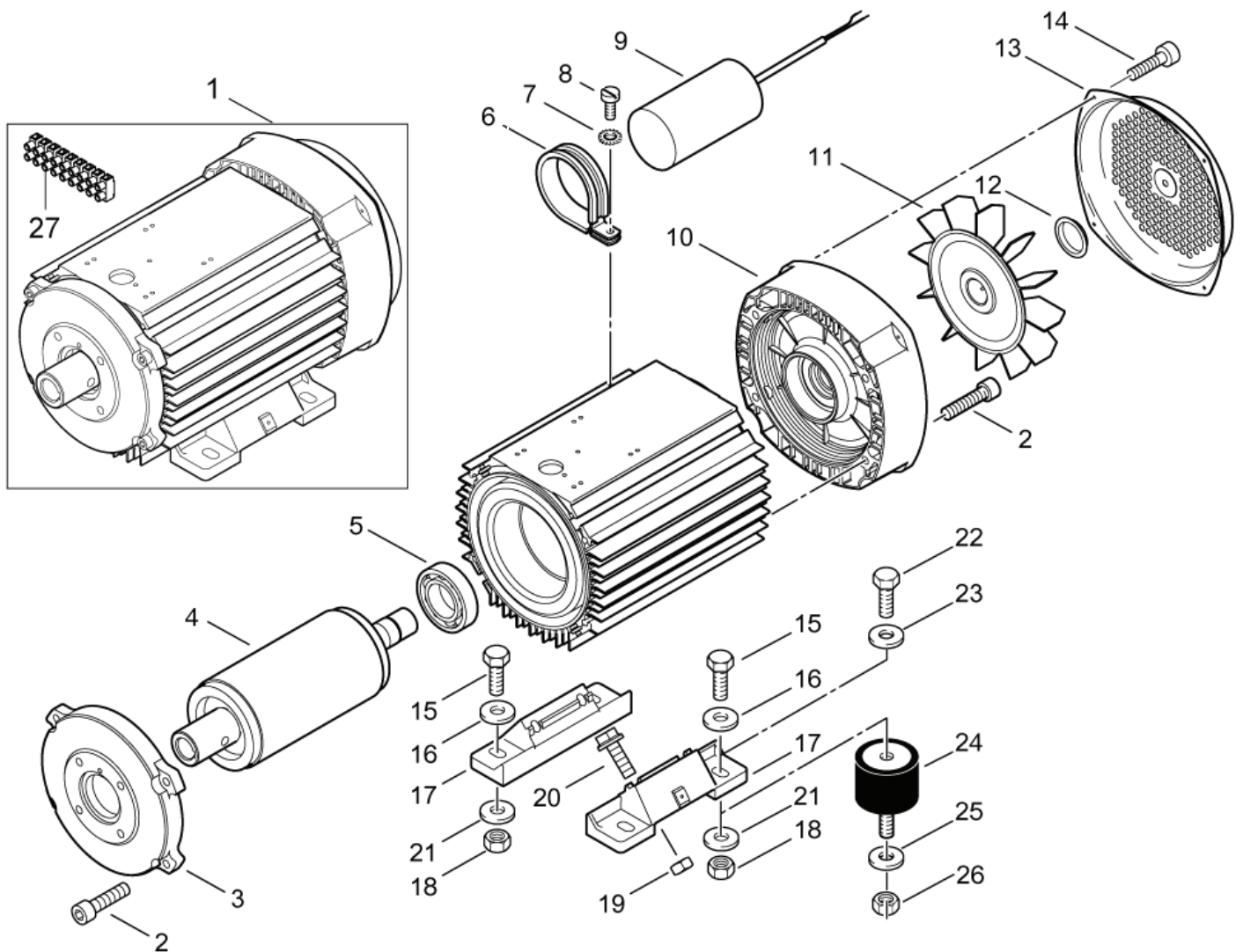
Pos	Artikelnr.	Me	Beschreibung	
0	301001507	1	COLLAPSIBLE CARDBOARD BOX	
1	40107	3	Blechschraube 4,8x13	
2	2766	3	CW Scheibe 6,4x1,6 A ISO 7093-1 zn	
3	301001411	1	LABEL WARNING MAX. 3MIN	
4	48083	1	Klebeschild HD-Strahl	
5	301001501	1	HANDLEBOW	
6	301001388	1	Haube	
7	11722	2	Flügelmutter M6 DIN315	
8	34712	2	Flachrundschrabe M6x45 D IN 603	
9	301001400	1	BASE FRAME MAXXI 4	4-29, 4-29A, 4-32, 4-32A, 4-45, 4-45A
9	301001453	1	BASE FRAME MAXXI 4-73	4-69, 4-73, 4-73A
10	2004265	2	Kappe	
11	301000988	2	Rad ø250x55	
12	2756	1	Sechskantschraube M8x45	
13	301000979	1	Stützfuß Ø62x94	
14	61467	1	Sechskantmutter M8 "TENS ILOCK" St-zn	

# Motor MAXXI 4

29-10-2012

ET-Liste-Nr.  
MAXXI401

5



# Motor MAXXI 4

29-10-2012

ET-Liste-Nr.  
MAXXI401

6

Pos	Artikelnr.	Me	Beschreibung	
1	101118018	1	MOTOR ELD112 2.2KW 230V 1PH	230/1/50 4-29, 4-29A
1	101118029	1	MOTOR 2.0KW 110V/1 WITH PLUG	4-29A 110/1/50
1	301001397	1	MOTOR 2.3KW 230V	4-32, 4-32A
1	301001398	1	Motor 4,5kW 230/400 3~	4-45, 4-45A
1	301001399	1	Motor 7,0 KW 230/400/3	4-69, 4-73, 4-73A
2	15045	8	Zylinderschraube M6x35	4-29, 4-29A, 4-32, 4-32A, 4-45, 4-45A
2	6863	8	Zylinderschraube M8x35	4-69, 4-73, 4-73A
3	301001119	1	Motorflansch	4-69, 4-73, 4-73A
3	301001120	1	Motorflansch	4-29, 4-29A, 4-32, 4-32A, 4-45, 4-45A
4	301001121	1	Rotor Motor 2,2kW	230/1/50 4-29, 4-29A
4	301001663	1	ROTOR MOTOR 2.3KW	4-32, 4-32A
4	301001664	1	ROTOR MOTOR 4.5KW	4-45, 4-45A
4	301001666	1	ROTOR MOTOR 2.0KW	4-29A, 110/1/50
4	301001667	1	ROTOR MOTOR 7.0KW	4-69, 4-73, 4-73A
5	5905	1	Wälzlager 6306-2Z	4-69, 4-73, 4-73A
5	6367	1	Wälzlager 6206-2Z	4-29, 4-29A, 4-32, 4-32A, 4-45, 4-45A
6	301001093	1	Befestigungsschelle Ø50, 8x16,3	4-29, 4-29A, 4-32, 4-32A
7	3376	1	CW Fächerscheibe 5,3 -A- DIN 6798 VA	4-29, 4-29A, 4-32, 4-32A
8	3348	1	Zylinderschraube M5x10	4-29, 4-29A, 4-32, 4-32A
9	301001017	1	Betriebskondensator 60µF /450V	230/1/50 4-29, 4-29A
9	301001581	1	Betriebskondensator	4-32, 4-32A
9	301001595	1	Kondensator	4-29A, 110/1/50
10	301001113	1	Lagerdeckel Hinten	4-69, 4-73, 4-73A
10	301001114	1	Lagerdeckel Hinten	4-29, 4-29A, 4-32, 4-32A, 4-45, 4-45A
11	301001117	1	Lüfterrad	4-69, 4-73, 4-73A
11	301001118	1	Lüfterrad	4-29, 4-29A, 4-32, 4-32A, 4-45, 4-45A
12	301001112	1	Klemmring	
13	301001115	1	Lüfterhaube	4-69, 4-73, 4-73A
13	301001116	1	Lüfterhaube	4-29, 4-29A, 4-32, 4-32A, 4-45, 4-45A
14	8822	4	Blechschrabe 3,5x9,5	
15	32964	4	CW Sechskantschraube M10x 30 ISO 4017 zn	4-29, 4-29A, 4-32, 4-32A, 4-45, 4-45A
16	4827	4	CW Scheibe 10,5x2,5 A ISO 7093-1 zn	4-29, 4-29A, 4-32, 4-32A, 4-45, 4-45A
17	301001126	2	Motorfuß H45mm	4-69, 4-73, 4-73A
17	301001127	2	Motorfuß H51mm	4-29, 4-29A, 4-32, 4-32A, 4-45, 4-45A
18	8952	4	CW Sechskantmutter M10 ISO 7042 zn	4-29, 4-29A, 4-32, 4-32A, 4-45, 4-45A
19	6052	4	CW Sechskantmutter M8 DIN 985 ZN	
20	27372	4	Schraube M8x20	
21	2767	4	CW Scheibe 10,5x2,0 ISO 7090 zn	4-29, 4-29A, 4-32, 4-32A, 4-45, 4-45A
22	2750	4	CW Sechskantschraube M8x 25 ISO 4017 zn	4-69, 4-73, 4-73A
23	2793	4	CW Scheibe 8,4x2,0 A ISO 7093-1 zn	4-69, 4-73, 4-73A
24	49924	4	Puffer Ø30x20	4-69, 4-73, 4-73A
25	4827	4	CW Scheibe 10,5x2,5 A ISO 7093-1 zn	4-69, 4-73, 4-73A
26	61467	4	Sechskantmutter M8 "TENS ILOCK" St-zn	4-69, 4-73, 4-73A

# Motor

MAXXI4

29-10-2012

ET-Liste-Nr.  
MAXXI4U1

7

Pos	Artikelnr.	Me	Beschreibung
27	101117839	1	TERMINAL PLUG AND TERMINAL PINS

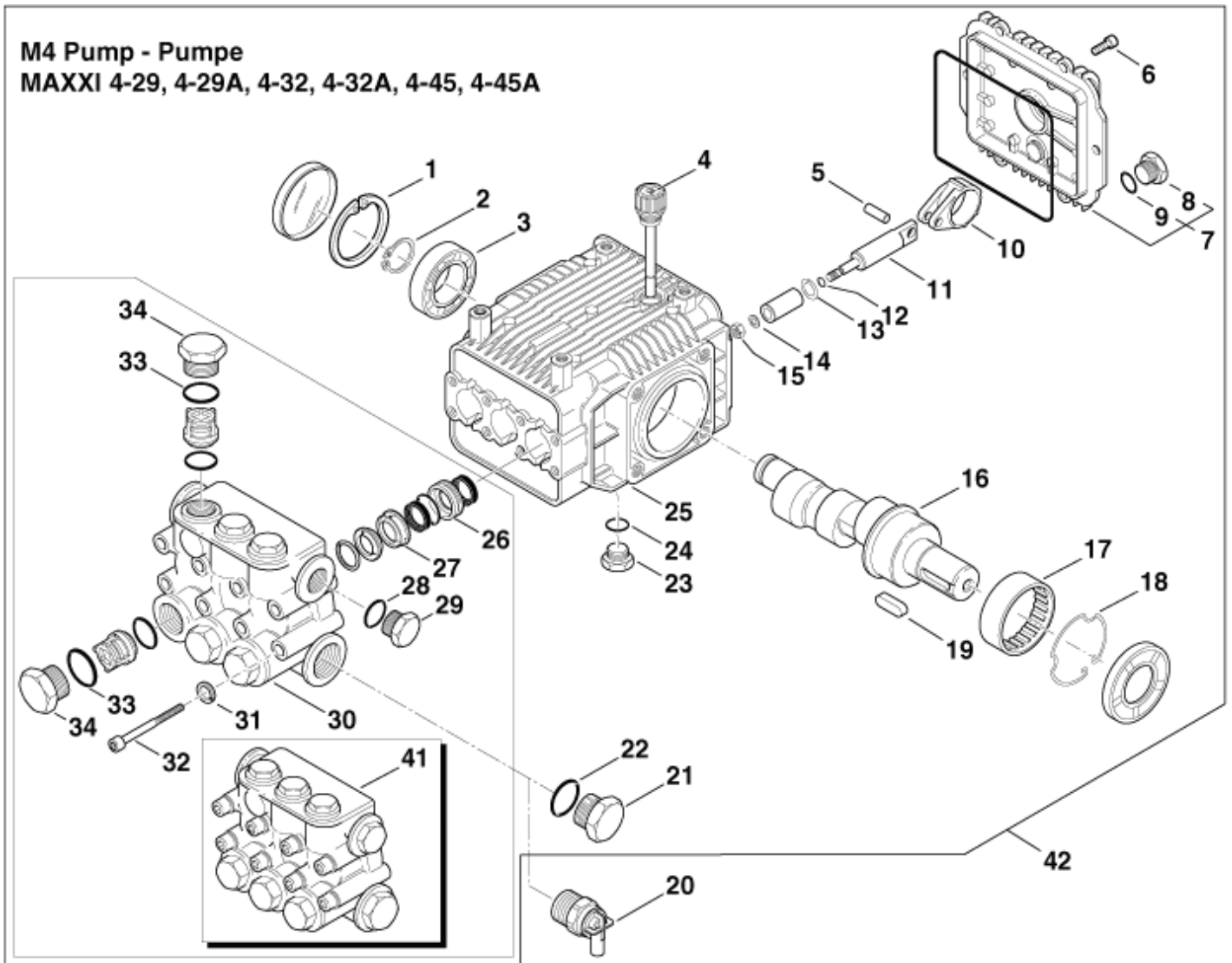
# Pumpe

MAXXI 4

29-10-2012

ET-Liste-Nr.  
MAXXI403

8



MAXXI4-103



# Pumpe MAXXI 4

29-10-2012

ET-Liste-Nr.  
MAXXI4U3

9

Pos	Artikelnr.	Me	Beschreibung	
1	16396	1	Sicherungsring 52x2	4-29, 4-29A, 4-32, 4-32A, 4-45, 4-45A
2	32524	1	Sicherungsring 20x1,2	4-29, 4-29A, 4-32, 4-32A, 4-45, 4-45A
3	909100175	1	Wälzlager 6304	4-29, 4-29A, 4-32, 4-32A, 4-45, 4-45A
4	301001460	1	Ölmeßstab G3/8"	4-29, 4-29A, 4-32, 4-32A, 4-45, 4-45A
5	301001555	3	BOLT NP3-PUMP	4-29, 4-29A, 4-32, 4-32A, 4-45, 4-45A
6	4697	6	Zylinderschraube M6x16	4-29, 4-29A, 4-32, 4-32A, 4-45, 4-45A
8	301001135	1	Stopfen G3/8"	4-29, 4-29A, 4-32, 4-32A, 4-45, 4-45A
9	56554	1	O-Ring Ø14x1,78	4-29, 4-29A, 4-32, 4-32A, 4-45, 4-45A
10	301001561	3	Pleuel	4-29, 4-29A, 4-32, 4-32A
10	301001562	3	Pleuel	4-45, 4-45A
11	301001560	3	Kolbenstange	4-29, 4-29A, 4-32, 4-32A, 4-45, 4-45A
12	3004236	3	O-Ring Ø4,48x1,78	4-29, 4-29A, 4-32, 4-32A, 4-45, 4-45A
13	301001486	3	Distanzscheibe	4-29, 4-29A, 4-32, 4-32A, 4-45, 4-45A
14	909100178	3	Dichtring 8x13x0,5	4-29, 4-29A, 4-32, 4-32A, 4-45, 4-45A
15	909100177	3	Sechskantmutter M8/SW13x 5	4-29, 4-29A, 4-32, 4-32A, 4-45, 4-45A
16	301001575	1	CRANKSHAFT FOR M4 11.17	4-32, 4-32A
16	301001576	1	CRANKSHAFT FOR M4 13.20	4-45, 4-45A
16	301001578	1	Kurbelwelle Nr.1	4-29, 4-29A
17	909100174	1	Nadelhülse Ø45/Ø52X16	4-29, 4-29A, 4-32, 4-32A, 4-45, 4-45A
18	301001539	1	Haltering	4-29, 4-29A, 4-32, 4-32A, 4-45, 4-45A
19	19639	1	Passfeder A 8x7x25	4-29, 4-29A, 4-32, 4-32A, 4-45, 4-45A
20	301001391	1	Thermostat-Ventil	4-29, 4-32, 4-45
21	301001136	1	Stopfen G1/2"/SW24x17	4-29A, 4-32A, 4-45A
22	5127	1	Dichtring Ø21x26	4-29A, 4-32A, 4-45A
23	301001135	1	Stopfen G3/8"	4-29, 4-29A, 4-32, 4-32A, 4-45, 4-45A
24	56554	1	O-Ring Ø14x1,78	4-29, 4-29A, 4-32, 4-32A, 4-45, 4-45A
25	301001557	1	Gehäuse	4-29, 4-29A, 4-32, 4-32A, 4-45, 4-45A
26	301001592	3	Kolbenführung Ø15 Hinten "NP3-Pumpe"	4-29, 4-29A, 4-32, 4-32A, 4-45, 4-45A
27	301001558	3	Kolbenführung Ø15 "NP3- Pumpe"	4-29, 4-29A, 4-32, 4-32A, 4-45, 4-45A
28	56554	1	O-Ring Ø14x1,78	4-29, 4-29A, 4-32, 4-32A, 4-45, 4-45A
29	301001135	1	Stopfen G3/8"	4-29, 4-29A, 4-32, 4-32A, 4-45, 4-45A
30	301001589	1	Ventilblock	4-29, 4-29A, 4-32, 4-32A, 4-45, 4-45A
31	909100188	8	Sicherungsscheibe	4-29, 4-29A, 4-32, 4-32A, 4-45, 4-45A
32	909100184	8	Zylinderschraube M6x60	4-29, 4-29A, 4-32, 4-32A, 4-45, 4-45A
33	103004342	6	O-Ring Ø17,86x2,62	4-29, 4-29A, 4-32, 4-32A, 4-45, 4-45A
34	301001496	6	Stopfen M22/SW21x22,5	4-29, 4-29A, 4-32, 4-32A, 4-45, 4-45A
41	301001586	1	CYLINDER HEAD COMPLETE FO	4-32, 4-32A, 4-45, 4-45A
41	301001587	1	Ventilblock Kpl. Ø15mm K olben	4-29, 4-29A
42	301001299	1	Pumpe NP3	4-29, 4-29A
42	301001458	1	Pumpe M4 13.20	4-45, 4-45A
42	301001461	1	Pumpe M4 11.17	4-32, 4-32A

# Pumpendichtungssatz

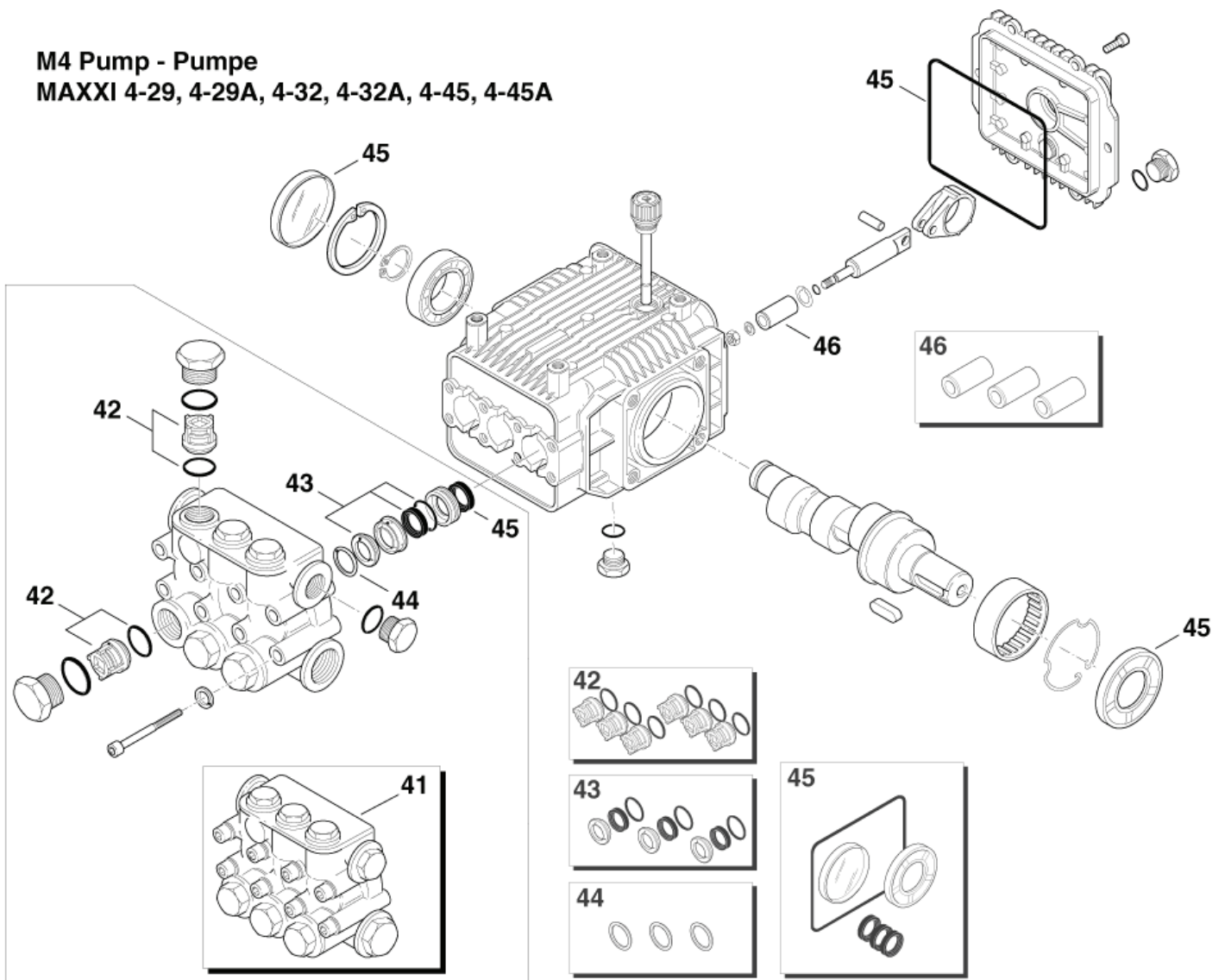
MAXXI 4

29-10-2012

ET-Liste-Nr.  
MAXXI404

10

M4 Pump - Pumpe  
MAXXI 4-29, 4-29A, 4-32, 4-32A, 4-45, 4-45A



MAXXI4-104

# Pumpendichtungssatz

MAXXI 4

29-10-2012

ET-Liste-Nr.  
MAXXI404

11

Pos	Artikelnr.	Me	Beschreibung	
41	301001586	1	CYLINDER HEAD COMPLETE FO	4-32, 4-32A, 4-45, 4-45A
41	301001587	1	Ventilblock Kpl. Ø15mm K olben	4-29, 4-29A
42	301001494	1	ET-Set Ventile [6x]	4-29, 4-29A, 4-32, 4-32A, 4-45, 4-45A
43	301001489	1	ET-Set Kolbendichtung Ø1 5	4-29, 4-29A, 4-32, 4-32A, 4-45, 4-45A
44	301001492	1	ET-Set Stützring Ø15 [3 x]	4-29, 4-29A, 4-32, 4-32A, 4-45, 4-45A
45	301001491	1	ET-Set Öldichtung	4-29, 4-29A, 4-32, 4-32A, 4-45, 4-45A
46	301001487	1	ET-Set Keramikkolben Ø15	4-29, 4-29A, 4-32, 4-32A, 4-45, 4-45A

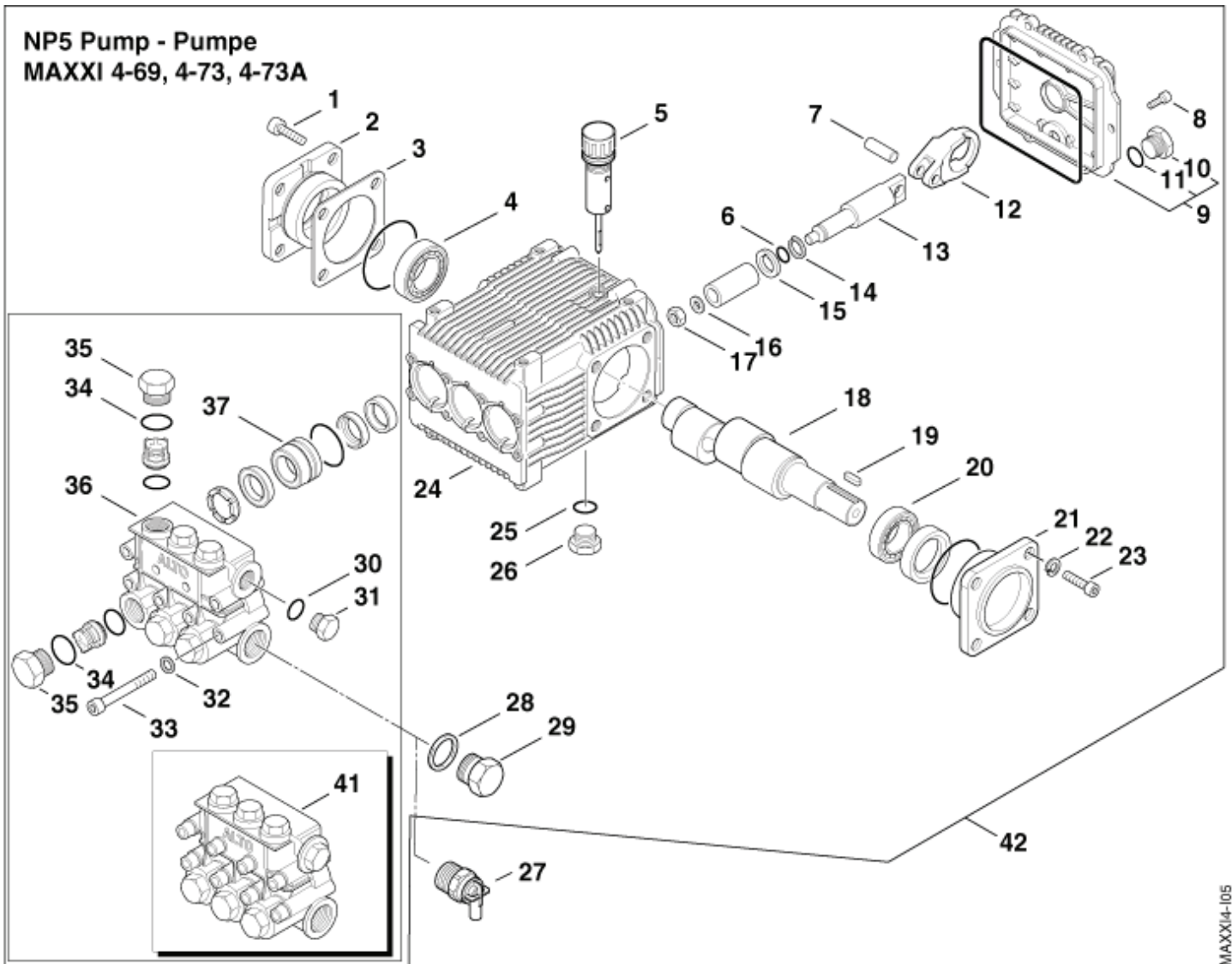
# Pump NP5

MAXXI 4

29-10-2012

ET-Liste-Nr.  
MAXXI405

12



MAXXI4-105

# Pump NP5

## MAXXI 4

29-10-2012

ET-Liste-Nr.  
MAXXI405

13

Pos	Artikelnr.	Me	Beschreibung	
1	2788	4	Zylinderschraube M8x16	4-69, 4-73, 4-73A
2	301001166	1	Lagerdeckel 80x80x8 Ges chl.	4-69, 4-73, 4-73A
3	301001140	1	Passscheibe 80x80x0,05	4-69, 4-73, 4-73A
3	301001141	1	Passscheibe 80x80x0,10	4-69, 4-73, 4-73A
3	301001142	1	Passscheibe 80x80x0,20	4-69, 4-73, 4-73A
3	301001143	1	Passscheibe 80x80x0,25	4-69, 4-73, 4-73A
4	909100163	1	Wälzlager 30304	4-69, 4-73, 4-73A
5	301001460	1	Ölmeßstab G3/8"	4-69, 4-73, 4-73A
6	3001740	3	O-Ring Ø7,66x1,78	4-69, 4-73, 4-73A
7	301001138	3	Bolzen	4-69, 4-73, 4-73A
8	909100158	6	Zylinderschraube M6x14	4-69, 4-73, 4-73A
9	301001158	1	Deckel	4-69, 4-73, 4-73A
10	301001135	1	Stopfen G3/8"	4-69, 4-73, 4-73A
11	56554	1	O-Ring Ø14x1,78	4-69, 4-73, 4-73A
12	301001168	3	Pleuel ( 1 Stück )	4-69, 4-73, 4-73A
13	301001156	3	Kolbenstange	4-69, 4-73, 4-73A
14	49900	3	Stützring Ø8x11x1	4-69, 4-73, 4-73A
15	301001139	3	Distanzscheibe	4-69, 4-73, 4-73A
16	909100165	3	Dichtring Ø8x17	4-69, 4-73, 4-73A
17	909100167	3	Sechskantmutter M8	4-69, 4-73, 4-73A
18	301001162	1	Kurbelwelle	4-69, 4-73, 4-73A
19	19639	1	Passfeder A 8x7x25	4-69, 4-73, 4-73A
20	909100162	1	Wälzlager 30205	4-69, 4-73, 4-73A
21	301001167	1	Lagerdeckel 80x80x8 Off en	4-69, 4-73, 4-73A
22	2798	4	Federring 8	4-69, 4-73, 4-73A
23	3928	4	Schraube M8x30	4-69, 4-73, 4-73A
24	301001157	1	Gehäuse	4-69, 4-73, 4-73A
25	56554	1	O-Ring Ø14x1,78	4-69, 4-73, 4-73A
26	301001135	1	Stopfen G3/8"	4-69, 4-73, 4-73A
27	301001391	1	Thermostat-Ventil	4-69, 4-73
28	5127	1	Dichtring Ø21x26	4-73A
29	301001136	1	Stopfen G1/2"/SW24x17	4-73A
30	1409	1	Dichtring Ø17x23	4-69, 4-73, 4-73A
31	301001134	1	Stopfen G3/8"	4-69, 4-73, 4-73A
32	909100168	8	Sicherungsscheibe Ø8	4-69, 4-73, 4-73A
33	1814597	8	Zylinderschraube M8x70	4-69, 4-73, 4-73A
34	103004342	6	O-Ring Ø17,86x2,62	4-69, 4-73, 4-73A
35	301001137	6	Stopfen M22 SW24x21	4-69, 4-73, 4-73A
36	301001172	1	Ventilblock	4-69, 4-73, 4-73A
37	301001154	3	Kolbenführung Ø18 "NP5- Pumpe"	4-69, 4-73, 4-73A
41	301001170	1	Ventilblock Kpl. Ø18mm K olben	4-69, 4-73, 4-73A
42	301000995	1	Pumpe NP5	4-69, 4-73, 4-73A

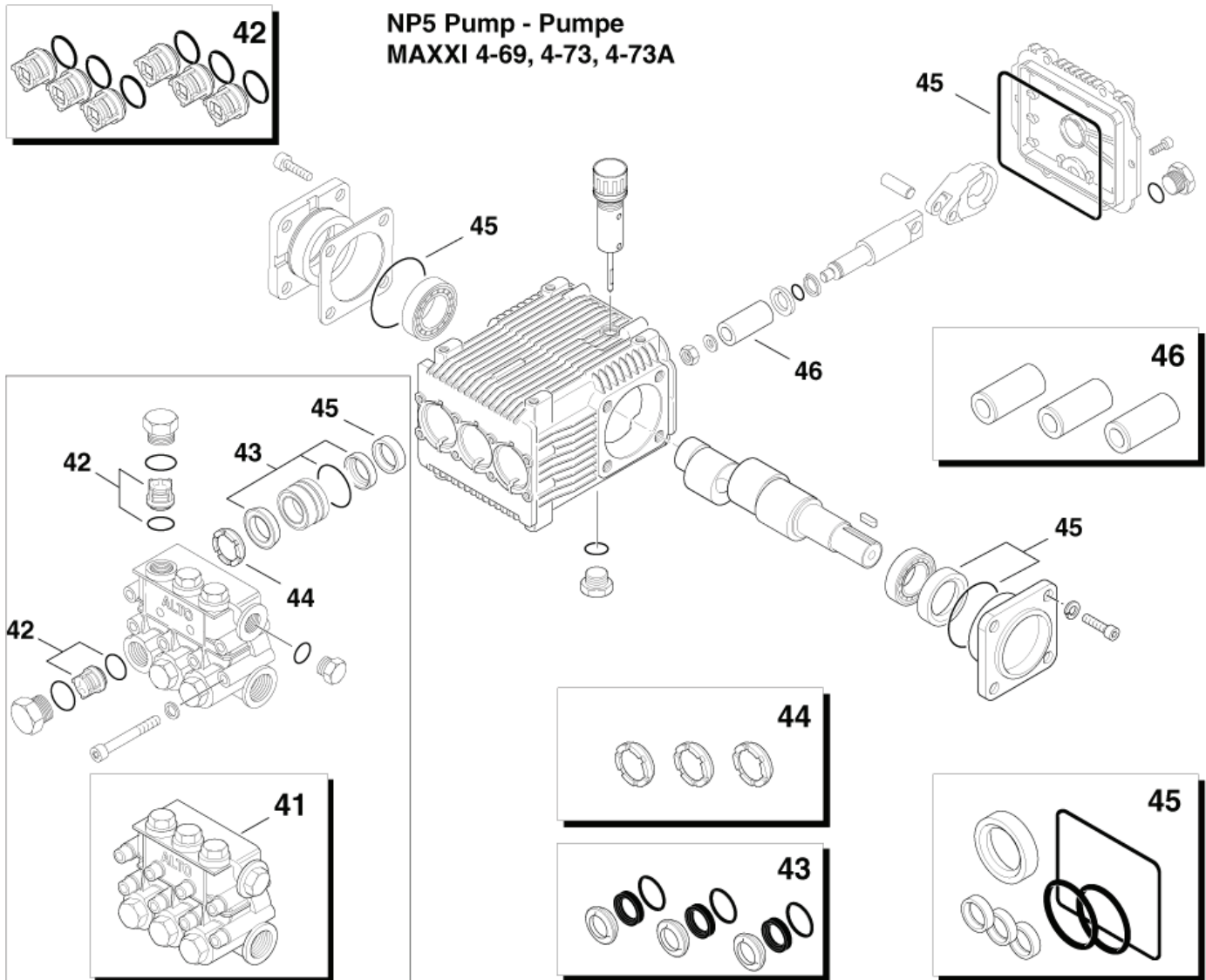
# Pump, kits NP5

MAXXI 4

29-10-2012

ET-Liste-Nr.  
MAXXI406

14



MAXXI4-106

# Pump, kits NP5

## MAXXI 4

29-10-2012

ET-Liste-Nr.  
MAXXI406

15

Pos	Artikelnr.	Me	Beschreibung	
41	301001170	1	Ventilblock Kpl. Ø18mm K olben	4-69, 4-73, 4-73A
42	301001153	1	ET-Set Ventile [6x]	4-69, 4-73, 4-73A
43	301001148	1	ET-Set Kolbendichtung Ø1 8 ( Für 3 Kolben)	4-69, 4-73, 4-73A
44	301001151	1	ET-Set Stützring Ø18 (3 St. enthalten)	4-69, 4-73, 4-73A
45	301001150	1	ET-Set Öldichtung	4-69, 4-73, 4-73A
46	301001146	1	ET-Set Keramikkolben Ø18 ( Set 3 Keramikhülsen )	-69, 4-73, 4-73A

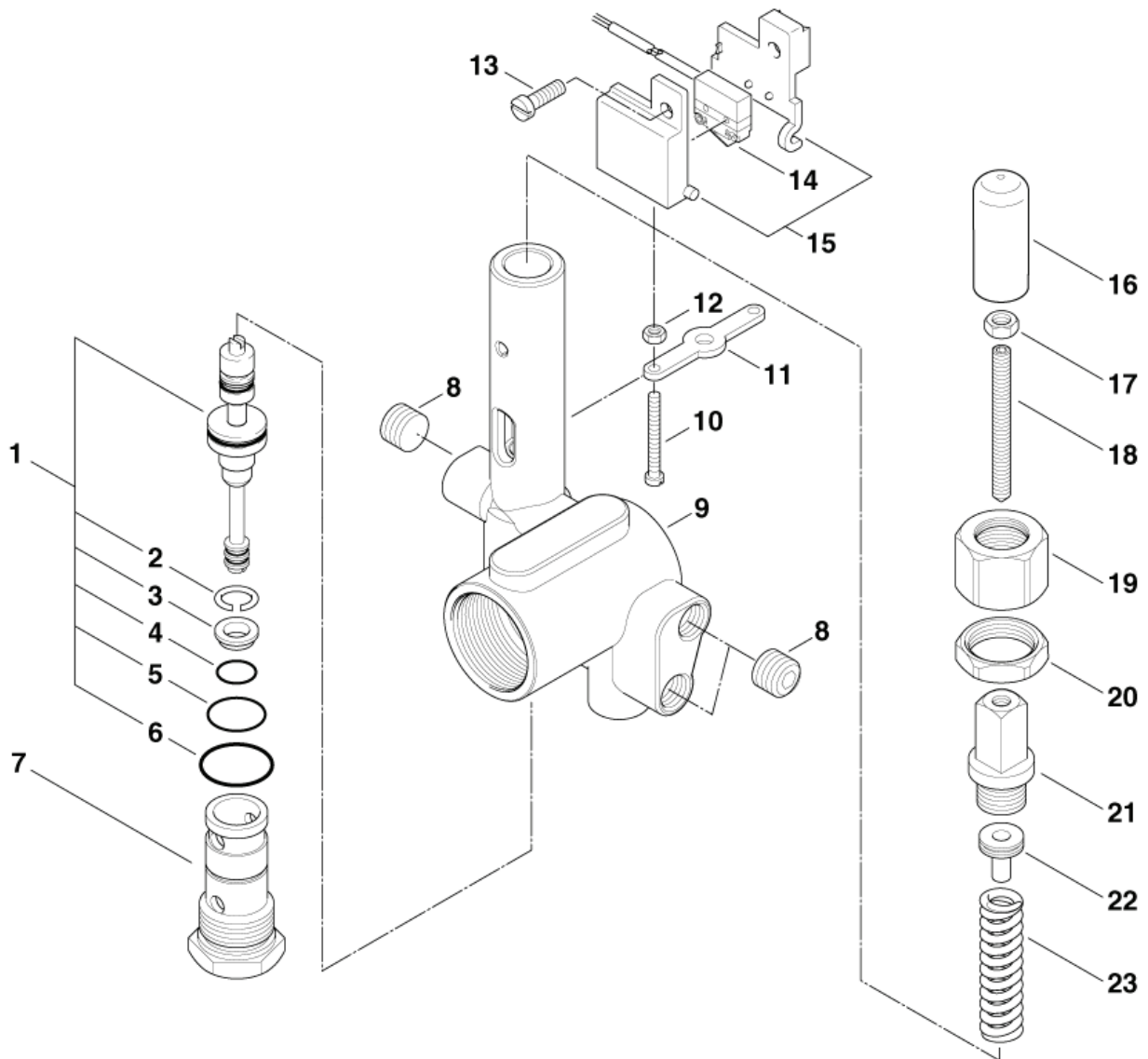
# Regelsicherheitsblock (a)

MAXXI4

29-10-2012

ET-Liste-Nr.  
MAXXI407

16



MAXXI4-107



# Regelsicherheitsblock (a)

MAXXI 4

29-10-2012

ET-Liste-Nr.  
MAXXI407

17

Pos	Artikelnr.	Me	Beschreibung	
1	64314	1	Reparatursatz	
2	909100001	1	Sprengring Ø14	
3	62708	1	Ventilsitz Ø8,5/Ø11,4/Ø1 3,9x4	
4	49461	1	O-Ring Ø11x1,5	
5	9523	1	O-Ring Ø17x1,5	
6	32091	1	O-Ring Ø21x2	
7	64301	1	Hohlschraube M24x1,5	
8	6262	3	Verschlussschraube R1/4"	
9	301001447	1	Gehäuse	
10	5076	1	Zylinderschraube M4x25	4-29A, 4-32A, 4-45A, 4-73A
11	62717	1	Schaltfahne	
12	2759	1	CW Sechskantmutter M4 ISO 4032 -8 zn	4-29A, 4-32A, 4-45A, 4-73A
13	3349	1	Zylinderschraube M5x16	4-29A, 4-32A, 4-45A, 4-73A
14	101118011	1	Endschalter 250V, 5A mit Kabel - f. 3 Phasen Gerät	45A, 4-73A
14	301000952	1	Endschalter 250V 0,1A f. 1 Phasen Gerät	4-29A, 4-32A
15	62401	1	Halter (Ers. für 6182937)	4-29A, 4-32A, 4-45A, 4-73A
16	301001508	1	Kappe ø20x45	
17	3136	1	CW Sechskantmutter M6 ISO 4032 zn	
18	62711	1	Gewindestift M6x60	
19	62710	1	Überwurfmutter M24x1,5x2 1	
20	62696	1	Sechskantmutter M24x1,5x 6	
21	62712	1	Hohlschraube M16x1x9	
22	62695	1	Federauflage	
23	40972	1	Druckfeder 3,5x10,5x54	
99	301001448	1	Regelsicherheitsblock MAX XI 4 250bar	

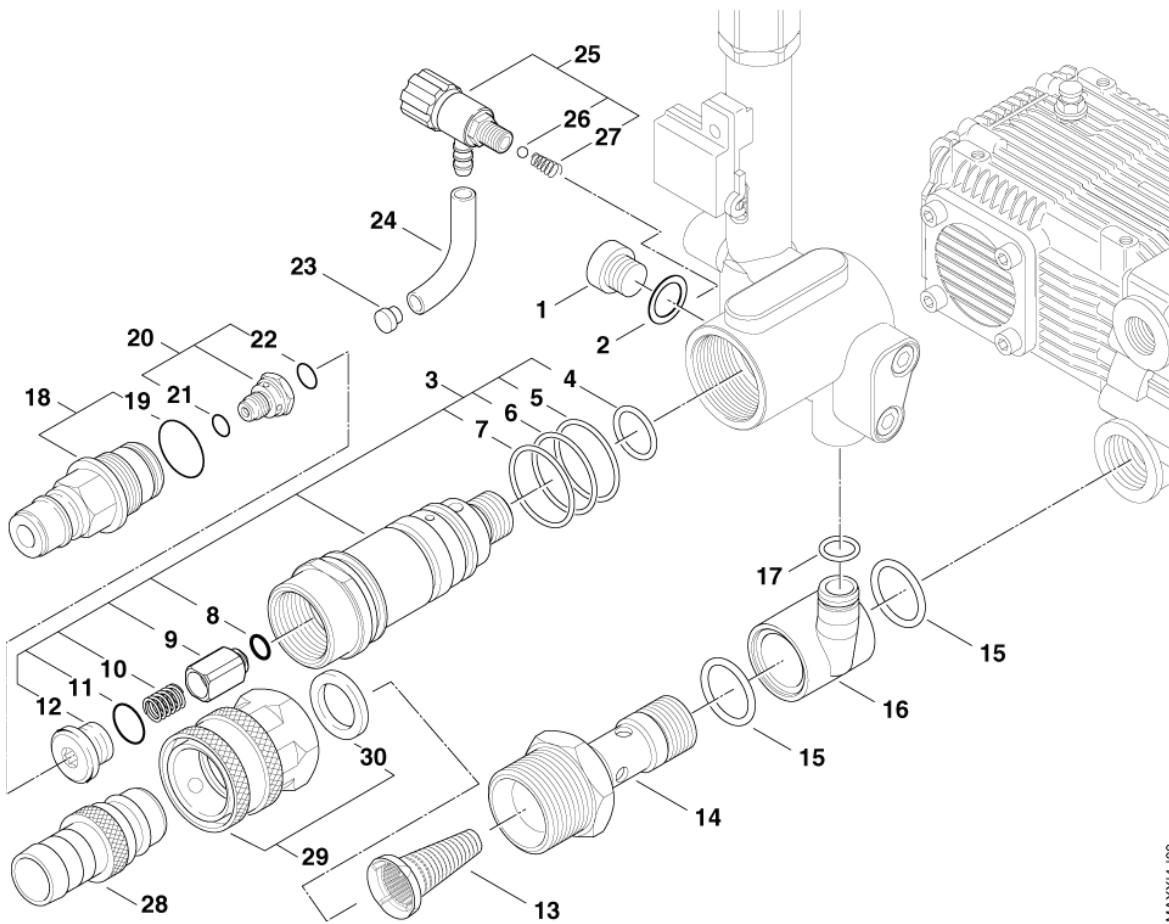
# Regelsicherheitsblock (b)

MAXXI 4

29-10-2012

ET-Liste-Nr.  
MAXXI408

18



MAXXI4-08

# Regelsicherheitsblock (b)

MAXXI 4

29-10-2012

ET-Liste-Nr.  
MAXXI408

19

Pos	Artikelnr.	Me	Beschreibung	
1	33047	1	Verschlussschraube G1/8	=>30.11.2005
2	1605	1	Dichtring 10,0x 14,0x 1,5 DIN7603 A CU	=>30.11.2005
3	64304	1	Hohlschraube	
4	16443	1	O-Ring Ø17x2	
5	64307	1	O-Ring Ø23,47x2,62	
6	64306	1	O-Ring Ø25,07x2,62	
7	64305	1	O-Ring Ø28,24x2,62	
8	9858	1	CW O-Ring 6,0 x 3,0 S MS 1586	
9	6187135	1	Kolben Ø14,6	
10	14522	1	Druckfeder 0,7x9,7x14,5	
11	16998	1	O-Ring Ø14x1,5	
12	64309	1	Stopfen M16x1	
13	101117926	1	FILTER	
14	301001297	1	Hohlschraube G1/2"-G3/4" x72	
15	24347	2	CW O-Ring 21,0 x 2,5 D IN 3770	
16	301000778	1	Rücklauf Ø30,9x34	4-69, 4-73, 4-73A
16	301001296	1	Rücklauf Ø30x34x43	4-29, 4-29A, 4-32, 4-32A, 4-45, 4-45A
17	13739	1	O-Ring 10,0 X2,0 DIN 3770 NBR70	
18	64236	1	Konverter M27x1,5	01.10.2005=>
19	32091	1	O-Ring Ø21x2	01.10.2005=>
20	57121	1	Injektordüse ø2,2/3,0 Set NBR/M	4-69, 4-73A  01.12.2005=>
20	62155	1	Injektordüse ø1,8x2,6	4-29, 4-29A, 4-32A  01.12.2005=>
20	62156	1	Injektordüse ø1,9x2,8	4-45*NO*, 4-45A  01.12.2005=>
21	16925	1	O-Ring Ø8x2	01.12.2005=>
22	1381	1	O-Ring Ø14x2	01.12.2005=>
23	6400240	1	Filter	01.12.2005=>
24	5206636	1	Schlauch Ø6/Ø10	01.12.2005=> PLS. INDICATE LENGTH IN METRES
25	64312	1	Dosiereinrichtung	01.12.2005=>
26	9580	1	Kugel Ø5,5	01.12.2005=>
27	41132	1	Druckfeder 0,3x4,7	01.12.2005=>
28	1600659	1	Nippel, Schnellkupplung	*GB*  01.02.2006=>
29	1602945	1	Kupplung kpl. 3/4" Wasserzulauf	*GB*  01.02.2006=>
30	3001237	1	Dichtring 24,5x16x3	*GB*  01.02.2006=>

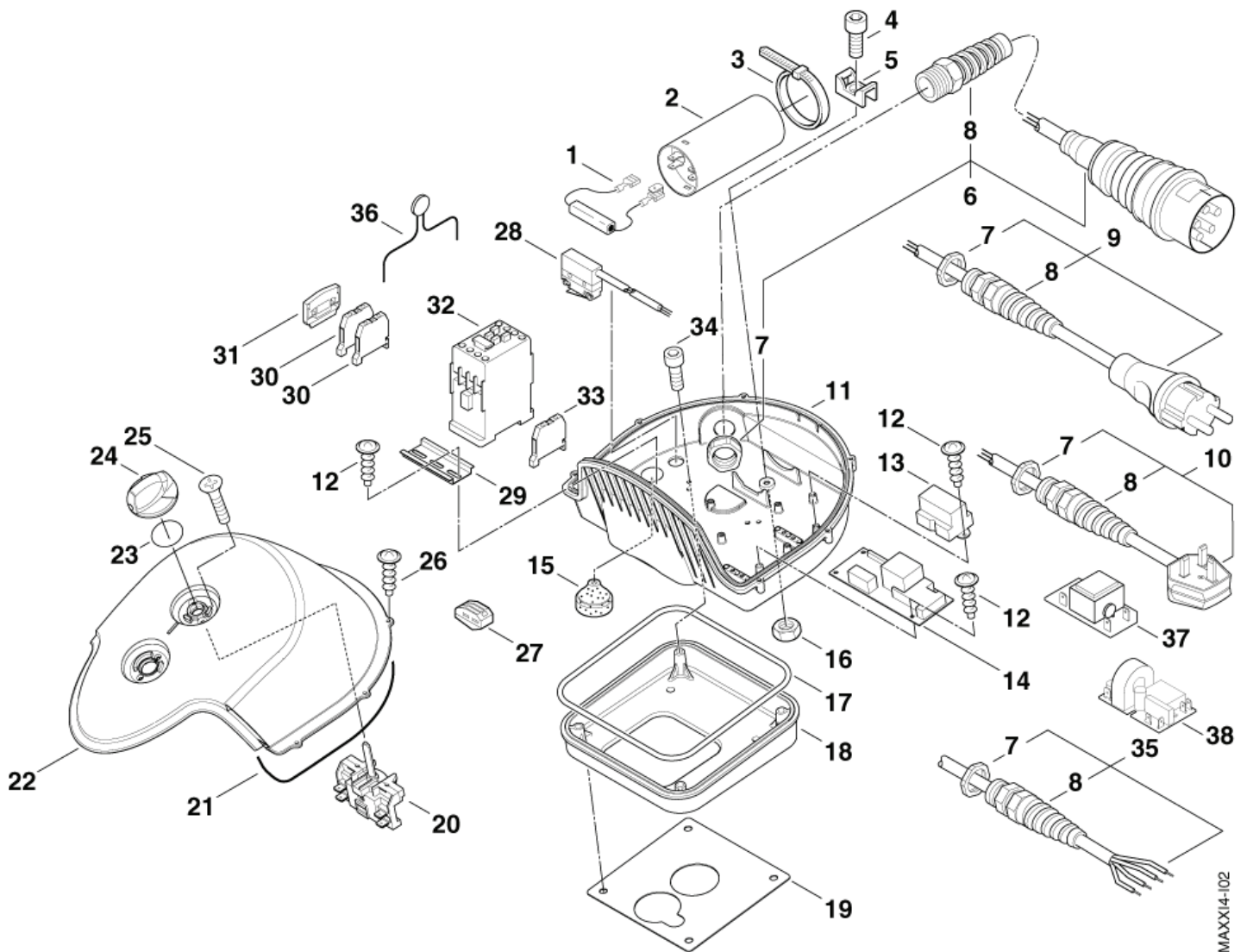
# Schaltkasten

MAXXI 4

29-10-2012

ET-Liste-Nr.  
MAXXI402

20



MAXXI4-102

# Schaltkasten MAXXI 4

29-10-2012

ET-Liste-Nr. MAXXI4U2

21

Pos	Artikelnr.	Me	Beschreibung	
1	301000402	1	Widerstand 15kOhm/7W	4-29, 4-29A, 4-32, 4-32A
2	301001056	1	Anlaufkondensator 98µF/3 30V	4-29, 4-29A, 4-32, 4-32A
3	15884	1	CW Kabelband 4,7x1,3x350 T50L	4-29, 4-29A, 4-32, 4-32A
4	3288	1	Zylinderschraube M4 x 8 ISO 1207 zn	4-29, 4-29A, 4-32, 4-32A
5	1814621	1	Halter Kabelbinder	4-29, 4-29A, 4-32, 4-32A
6	301000834	1	Netzleitung H07RN-F 4G1, 5x6	400/3/50 *EU*
7	909100019	1	CW Sechskantmutter M20x1 ,5 EN 50262 PA	
7	909100020	1	CW Sechskantmutter M25x1 ,5 EN 50262 PA	4-29A 110/1/50
8	909100043	1	Kabelverschraubung M20x1 ,5	
8	909100198	1	Schnur Befestigung M25x1,5	4-29A 110/1/50
9	301000829	1	Netzleitung H07RN-F 3G1, 5x6	230/1/50 *EU*
9	301001992	1	Netzkabel H07BQ-F 3G4X6.0 CEE 32A4H	4-29A 110/1/50
10	301000912	1	Netzleitung H07RN-F 3G1, 5x6	230/1/50 *GB*
11	301000768	1	Schaltkastenunterteil	
12	909100046	6	Schraube 4x8	4-29, 4-29A, 4-32, 4-32A
13	11060	1	Anlassrelais 220V AC	230V 4-29, 4-29A, 4-32, 4-32A
14	301001104	1	Elektronik f. Kaltwasser mit Microschalter	4-29A, 4-32A, 230/1/50
14	301001660	1	Elektroniksteuerung 120V	4-29 110/1/50
15	3803764	1	Stopfbuchse TET 5-7C	4-29, 4-32, 4-45, 4-69, 4-73
16	15319	1	CW Sechskantmutter M4 ISO 4032	4-29, 4-29A, 4-32, 4-32A
17	101406054	1	Dichtung	
18	301000769	1	Adapterplatte	4-29, 4-29A, 4-32, 4-32A, 4-45, 4-45A
19	301001183	1	Dichtung 101,5x101,5x3	
20	301001058	1	Nockenschalter 10A/400Vac	
21	101406054	1	Dichtung	
22	301001454	1	Schaltkastenoberteil	
23	9868	1	O-Ring Ø10x2,5	
24	909100204	1	Drehknopf Ø6x5	
25	18274	2	Senkschraube M4x12	
26	1814585	6	Schraube 3x12	
27	301001229	1	CW Federklemme 3x4 <sub>1</sub> 400V 24A grau	4-45, 4-45A, 4-73, 4-73A
27	301002165	1	Anschlussklemmenkäfig	4-29A 110/1/50
28	101118011	1	Endschalter 250V, 5A mit Kabel - f. 3 Phasen Gerät	45A, 4-73A
28	301000952	1	Endschalter 250V 0,1A f. 1 Phasen Gerät	4-29A, 4-32A
29	22290	1	CW Tragschiene TS35 MeWa gelocht St/zn	PLEASE INDICATE LENGTHS IN METRES WHEN ORDERING
30	301000687	2	Reihenklemme 2x2,5mm <sup>2</sup>	4-29, 4-29A, 4-32, 4-32A
31	301000689	1	Abschlussplatte 4mm	4-29, 4-29A, 4-32, 4-32A
32	103822303	1	Schütz CJK2-D18-V7 400V	4-45 *EU*, 4-45A, 4-73, 4-73A
32	103822304	1	Schütz CJK2-D18-P7 230V	4-29, 4-29A, 4-32, 4-32A
32	103822309	1	Schütz CJK2-D25-P7 230V	4-45*NO*
32	103822314	1	Schütz CJK2-D32-P7 230V	4-69
32	103822316	1	Schütz CJK2-D32-F7 110V	4-29A 110/1/50
33	14506	1	Reihenklemme GR-GE 10qmm	4-29A 110/1/50

# Schaltkasten

MAXXI 4

29-10-2012

ET-Liste-Nr.  
MAXXI4U2

22

Pos	Artikelnr.	Me	Beschreibung	
33	3817483	1	Reihenklemme Erde WK4	
34	10369	4	Zylinderschraube M5x25	4-29, 4-29A, 4-32, 4-32A, 4-45, 4-45A
34	32535	4	Zylinderschraube M5x16	4-69, 4-73, 4-73A
35	301000833	1	Netzleitung H07RN-F 4G2, 5x6	230/3/50 *NO*
36	301002353	1	Strombegrenzer 5 Ohm / 5 W	4-29, 4-29A, 4-32, 4-32A
37	301002461	1	TRANSFORMER BOARD 115V/24V 2VA	4-29A 110/1/50
38	301001991	1	Leiterplatte 1~/24V AC	4-29A 110/1/50

# Zubehör/ Sonstiges

MAXXI4

29-10-2012

ET-Liste-Nr.  
MAXXI420

23

Keine Zeichnung zur ET-Liste

# Zubehör/ Sonstiges

MAXXI 4

29-10-2012

ET-Liste-Nr.  
MAXXI420

24

Pos	Artikelnr.	Me	Beschreibung	
1	2508	1	HD-Düse 1/8-27NPT MEG 2508	4-73
1	2509	1	HD-DÜSE 1/8-27NPT MEG 25 09 V	4-69
1	61115	1	HD-Schlauch DN8x10m M27x1,5	
1	61248	1	Sprührohr	
1	64170	1	Pistole "Wap" schwarz/ blau "ALTO	
1	7814	1	HD-Düse 1/8-27NPT MEG 25055 VA	4-29
1	8528	1	HD-Düse 1/8-27NPT MEG 25045 VA	4-32, 4-45



# Zubehör

MAXXI 4

29-10-2012

ET-Liste-Nr. MAXXI20

25

Keine Zeichnung zur ET-Liste

# Zubehör

## MAXXI 4

29-10-2012

ET-Liste-Nr.  
MAXXI2U

26

Pos	Artikelnr.	Me	Beschreibung
1	301001584	1	Schlauchtrommelanbausatz
2	63227	1	HD-Schlauch DN8x0,9m M27x 1,5 250bar/150° CONNECTS MACHINE TO REEL
3	301001502	1	Dosiereinheit-Set R<(>&<) nicht mehr lieferbar
4	301001503	1	PROPORTIONING DEVICE 4-30 nicht mehr lieferbar
5	301001504	1	Dosiereinheit-Set R<(>&<) >P für MAXXI 4-
6	301001505	1	Dosiereinheit-Set R<(>&<) >P f. MAXXI 4-7
7	301001690	1	Dosiereinheit-Set R<(>&<) nicht mehr lieferbar