

SOLAR BOOSTER G, GH

Model:
5-35 G
7-51 G
7-51 GH
7-57 G



Stückliste Deutsch

21-01-2013

Nilfisk
ALTO
works for you

www.nilfisk-alto.com

Ersatzteile auf www.gluesing.net

Inhalt

SOLAR BOOSTER G, GH

| | |
|---|-----------|
| Gehäuse (a) - G | 3 |
| Gehäuse (b) - G | 5 |
| Überblick 1 -GH | 7 |
| Überblick 2 -GH | 9 |
| Elektronik -G | 11 |
| Elektronik -GH | 14 |
| Schwimmerkasten | 16 |
| Motor-Pumpeneinheit 7 (a) | 18 |
| Motor-Pumpeneinheit 7 (b) | 20 |
| Motor-Pumpeneinheit 7 (c) | 22 |
| Motor-Pumpeneinheit 7 (d) | 24 |
| Motor-Pumpeneinheit 7 (e) | 26 |
| Motor-Pumpeneinheit 5 (a) | 29 |
| Motor-Pumpeneinheit 5 (b) | 31 |
| Motor-Pumpeneinheit 5 (c) | 33 |
| Motor-Pumpeneinheit 5 (d) | 35 |
| Motor-Pumpeneinheit 5 (e) | 37 |
| Gebläse -G | 39 |
| Boiler - G | 41 |
| Verteiler -G | 43 |
| Heiztank -GH | 45 |
| Gasbrenner -GH | 47 |
| Kondensator -G | 49 |
| Detergent pump - upgrade kit | 51 |
| 2xDetergent pump - upgade kit | 53 |
| OPTION Flow reduction | 55 |
| Druckreduzierung | 57 |
| 1 x Reinigungsmittel | 59 |
| 1 X Reinigungsmittel automatisch | 61 |
| 2 X Reinigungsmittel | 63 |
| 2 X Reinigungsmittel automatisch | 65 |
| 1 X Reinigungsmittel manuell | 67 |
| Anti-Kalk | 69 |
| Fernsteuerung | 71 |
| OPTION Low water cut-off | 73 |

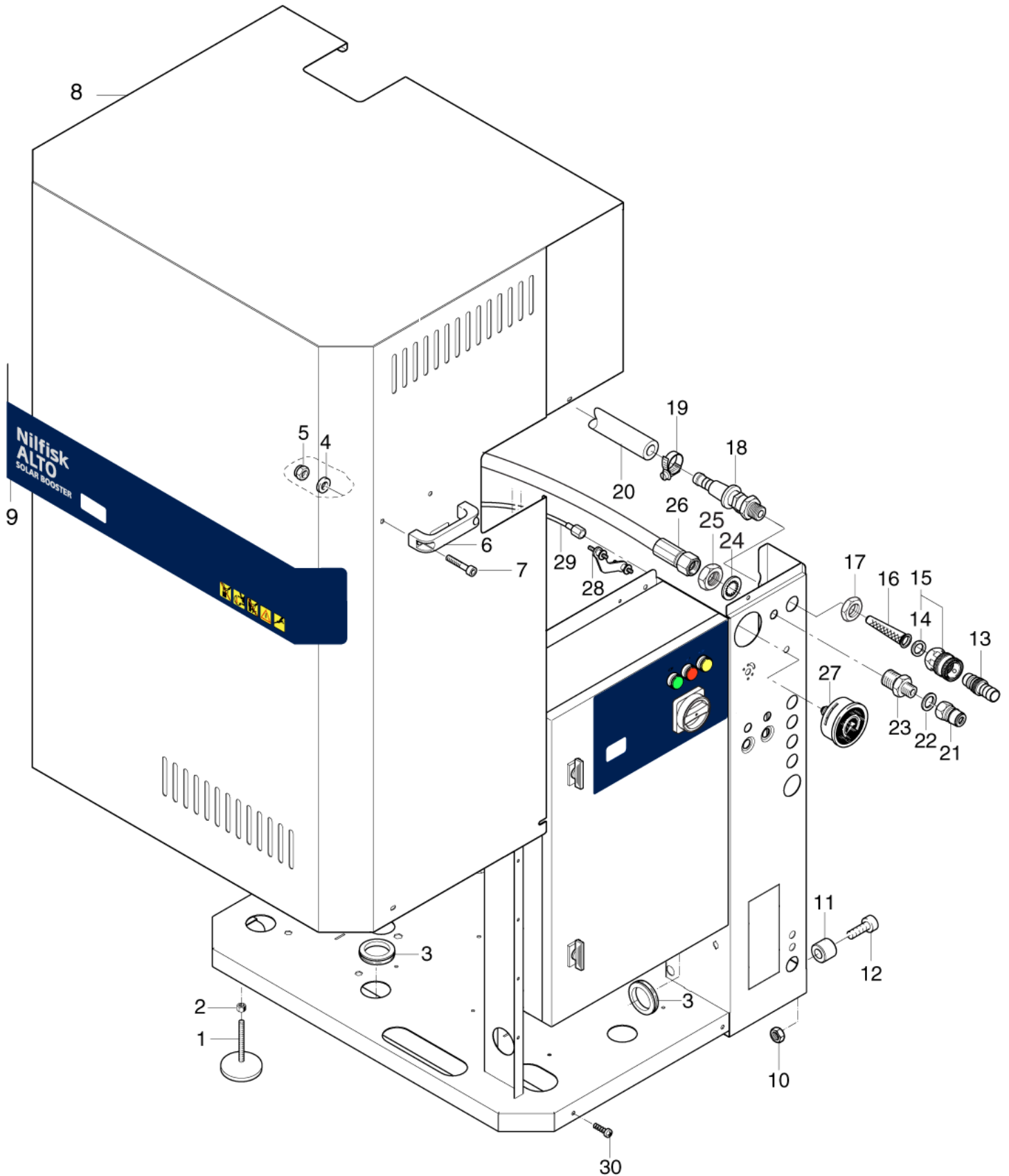
Gehäuse (a) - G

SOLAR BOOSTER G, GH

21-01-2013

ET-Liste-Nr.
SOLARBG02

3



Gehäuse (a) - G

SOLAR BOOSTER G, GH

21-01-2013

ET-Liste-Nr.
SOLARBG02

4

| Pos | Artikelnr. | Me | Beschreibung | |
|-----|------------|----|---|---|
| 1 | 104601172 | 1 | Halteblock M12X7 | |
| 2 | 1810068 | 1 | Mutter | |
| 3 | 103004331 | 1 | SLEEVE PVC 45/ 60 | |
| 4 | 1813807 | 1 | Scheibe M6 | |
| 5 | 1805399 | 1 | Mutter M6 DIN 985 A2 | |
| 6 | 104001218 | 1 | Handgriff 116x40 2xM8 sch warz Kunststoff | |
| 7 | 1804798 | 1 | SCREW HEX M8X12 A2 DIN 912 | |
| 8 | 107313016 | 1 | CABINET. SOLAR BOOSTER GT | |
| 9 | 107319001 | 1 | FRONT LABEL SOLAR BOOSTER | |
| 10 | 1803402 | 1 | Gegenmutter | |
| 11 | 101814685 | 2 | Distanzhülse ø25x ø8,2x 2 5 | |
| 12 | 1803337 | 1 | Zylinderschraube M8x 25 | |
| 13 | 1600659 | 1 | Nippel, Schnellkupplung | |
| 14 | 3001237 | 1 | Dichtring 24,5x16x3 | |
| 15 | 1602945 | 1 | Kupplung kpl. 3/4" Wasserzulauf | |
| 16 | 6100941 | 1 | Filter | |
| 17 | 1800341 | 1 | Gegenmutter 3/4" | |
| 18 | 6100937 | 1 | Filtergehaeuse | |
| 19 | 1810191 | 2 | Schlauchschnelle Ø14-27 | |
| 20 | 5206230 | 1 | Schlauch Meterware ø16/Ø2 6 schw. 12bar | PLEASE INDICATE LENGTHS IN METRES WHEN ORDERING |
| 21 | 1603101 | 1 | Nippel Schnellkupplung "03KR" RF | |
| 22 | 1801075 | 1 | Dichtring Ø23,8xØ17,2x2 | |
| 23 | 6200484 | 1 | Verschraubung | |
| 24 | 1810076 | 1 | TOOTHED WASHER J M18 | |
| 25 | 1803220 | 1 | Mutter M18x1,5 I SO 4035 St-zn | |
| 26 | 107318116 | 1 | HIGH PRESSURE HOSE 3/8 | |
| 27 | 3600301 | 1 | Manometer | |
| 28 | 1808088 | 1 | Spannstueck fuer Manomete r (Befest-Riege | |
| 29 | 102406647 | 1 | Manometerrohr | |
| 30 | 101814686 | 5 | SCREW M5X16 | |

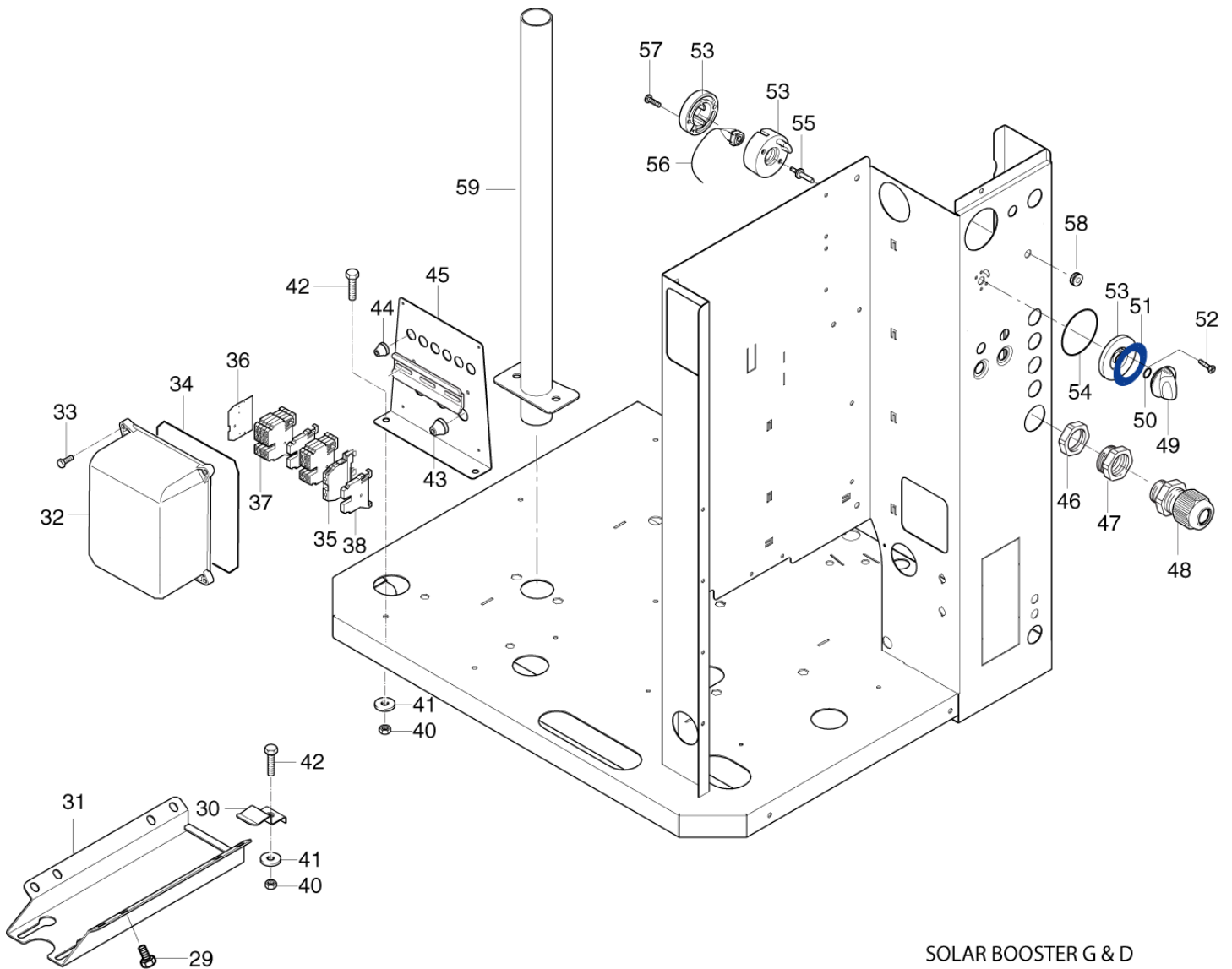
Gehäuse (b) - G

SOLAR BOOSTER G, GH

21-01-2013

ET-Liste-Nr.
SOLARBG04

5



SOLAR BOOSTER G & D

Gehäuse (b) - G

SOLAR BOOSTER G, GH

21-01-2013

ET-Liste-Nr.
SOLARBG04

6

| Pos | Artikelnr. | Me | Beschreibung | |
|-----|------------|----|------------------------------------|------------------|
| 29 | 1802651 | 4 | Schraube M10x20 | |
| 30 | 107313021 | 1 | SPRING LOCK FOR MOTOR | |
| 31 | 107313022 | 1 | Halter f. Pumpe | |
| 32 | 6181669 | 1 | Deckel | |
| 33 | 1804822 | 4 | Schraube M4x16 | |
| 34 | 101406054 | 1 | Dichtung | |
| 35 | 3817483 | 1 | Reihenklemme Erde WK4 | |
| 36 | 103821921 | 1 | Endplatte | |
| 37 | 103821920 | 7 | Reihenklemme | |
| 38 | 103821922 | 2 | Abschlussplatte | |
| 40 | 1802966 | 2 | Mutter M10 | |
| 41 | 1801968 | 2 | Scheibe | |
| 42 | 1810209 | 2 | SCREW HEX M10X20 A2 DIN6921 | |
| 43 | 3803772 | 3 | Kabeltülle 7-10C | TET 7-10C |
| 44 | 3803764 | 6 | Stopfbuchse TET 5-7C | TET 5-7C |
| 45 | 107313044 | 1 | PLATE | |
| 46 | 103821842 | 1 | Reduzierung M40-M32 | M40,1,5 |
| 47 | 103821874 | 1 | REDUCTION M40/M25 | M40/M25 |
| 48 | 103821831 | 1 | CABLE BUSHING | M25X1,5 |
| 49 | 909100204 | 1 | Drehknopf Ø6x5 | |
| 50 | 9868 | 1 | O-Ring Ø10x2,5 | |
| 51 | 107319070 | 1 | LABEL TEMP. SCALA 30-99DGC | Up to 2005.04.18 |
| 51 | 107319073 | 1 | LABEL TEMP. SCALA 50-99DGC G | From 2005.04.19 |
| 52 | 101814714 | 2 | SCREW WN 1423 K40X16 | |
| 53 | 107313045 | 1 | Socket kpl. | |
| 54 | 3001443 | 1 | O-Ring | |
| 55 | 301000636 | 1 | Potiachse Ø15x43,5 | |
| 56 | 107316000 | 1 | Potentiometer 0155 | |
| 57 | 1814598 | 2 | Schraube 3x14 | |
| 58 | 5172 | 1 | CW Tülle GUMMI-DG 11 | |
| 59 | 107313052 | 1 | Kranaufhängung "SOLAR BOOSTER D/G" | |

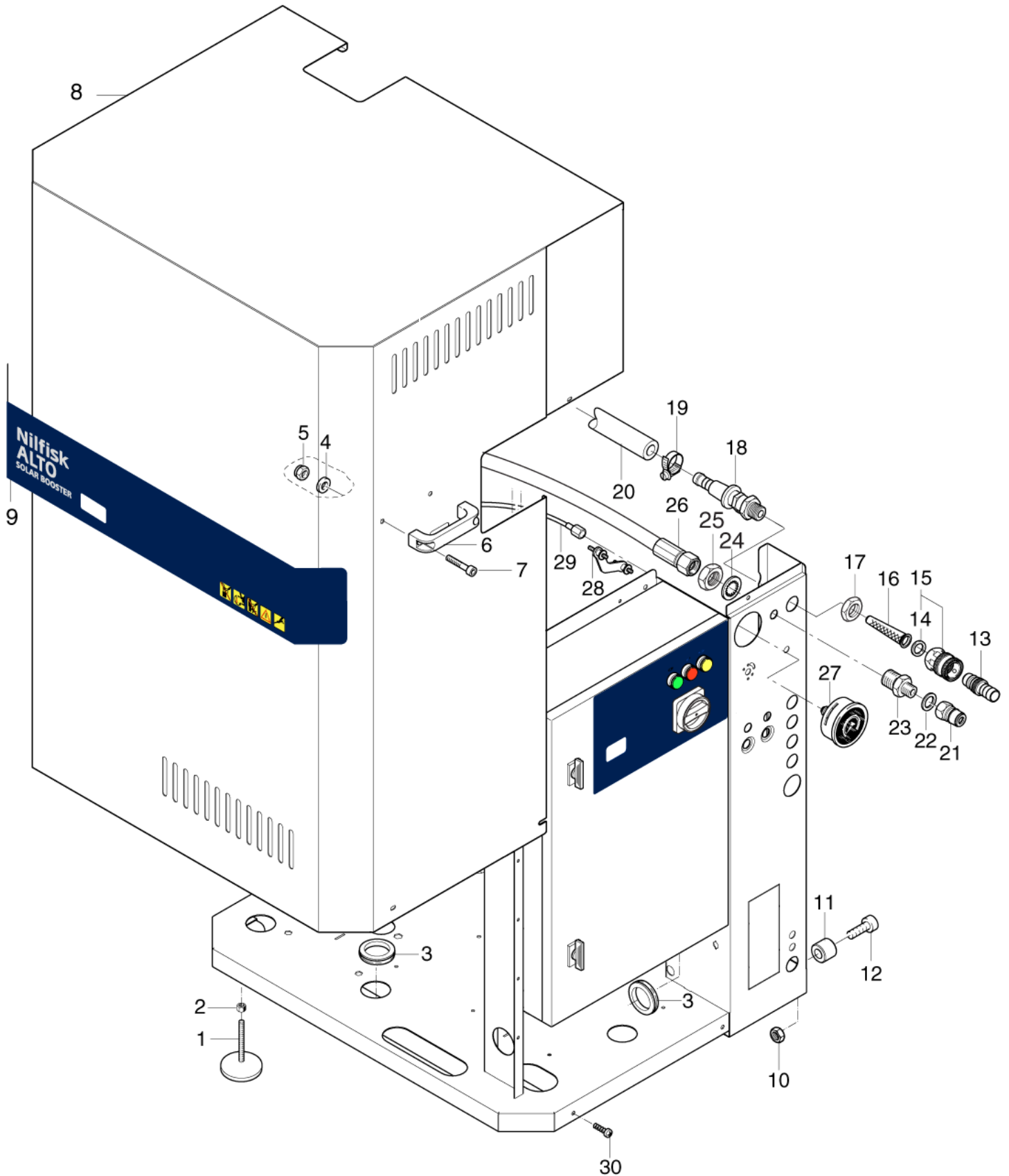
Überblick 1 -GH

SOLAR BOOSTER G, GH

21-01-2013

ET-Liste-Nr.
SOLARBGH02

7



Ersatzteile auf www.gluesing.net

Überblick 1 -GH

SOLAR BOOSTER G, GH

21-01-2013

ET-Liste-Nr.
SOLARBGHU2

8

| Pos | Artikelnr. | Me | Beschreibung | |
|-----|------------|----|---|---|
| 1 | 4602422 | 4 | Schwingmetallpuffer ø75 M 12x70 | |
| 2 | 1810068 | 4 | Mutter | |
| 3 | 103004331 | 2 | SLEEVE PVC 45/ 60 | |
| 4 | 1813807 | 4 | Scheibe M6 | |
| 5 | 1805399 | 4 | Mutter M6 DIN 985 A2 | |
| 6 | 104001218 | 2 | Handgriff 116x40 2xM8 sch warz Kunststoff | |
| 7 | 1804798 | 4 | SCREW HEX M8X12 A2 DIN 912 | |
| 8 | 107313016 | 1 | CABINET. SOLAR BOOSTER GT | |
| 9 | 107319001 | 1 | FRONT LABEL SOLAR BOOSTER | |
| 10 | 1801905 | 3 | Mutter M8 | |
| 11 | 107313036 | 3 | SPACER | |
| 12 | 1812296 | 3 | SCREW M8X25 STAINLESS | |
| 13 | 1600659 | 1 | Nippel, Schnellkupplung | |
| 14 | 3001237 | 1 | Dichtring 24,5x16x3 | |
| 15 | 1602945 | 1 | Kupplung kpl. 3/4" Wasserzulauf | |
| 16 | 6100941 | 1 | Filter | |
| 17 | 1800341 | 1 | Gegenmutter 3/4" | |
| 18 | 6100937 | 1 | Filtergehäuse | |
| 19 | 1810191 | 2 | Schlauchselle Ø14-27 | |
| 20 | 5206230 | 1 | Schlauch Meterware ø16/Ø2 6 schw. 12bar | PLEASE INDICATE LENGTHS IN METRES WHEN ORDERING |
| 21 | 1603101 | 1 | Nippel Schnellkupplung "03KR" RF | |
| 22 | 1801075 | 1 | Dichtring Ø23,8xØ17,2x2 | |
| 23 | 6200484 | 1 | Verschraubung | |
| 24 | 1810076 | 1 | TOOTHED WASHER J M18 | |
| 25 | 1803220 | 1 | Mutter M18x1,5 I SO 4035 St-zn | |
| 26 | 107318116 | 1 | HIGH PRESSURE HOSE 3/8 | |
| 27 | 3600301 | 1 | Manometer | |
| 28 | 1808088 | 1 | Spannstueck fuer Manomete r (Befest-Riege | |
| 29 | 102406647 | 1 | Manometerrohr | |
| 30 | 101814686 | 5 | SCREW M5X16 | |

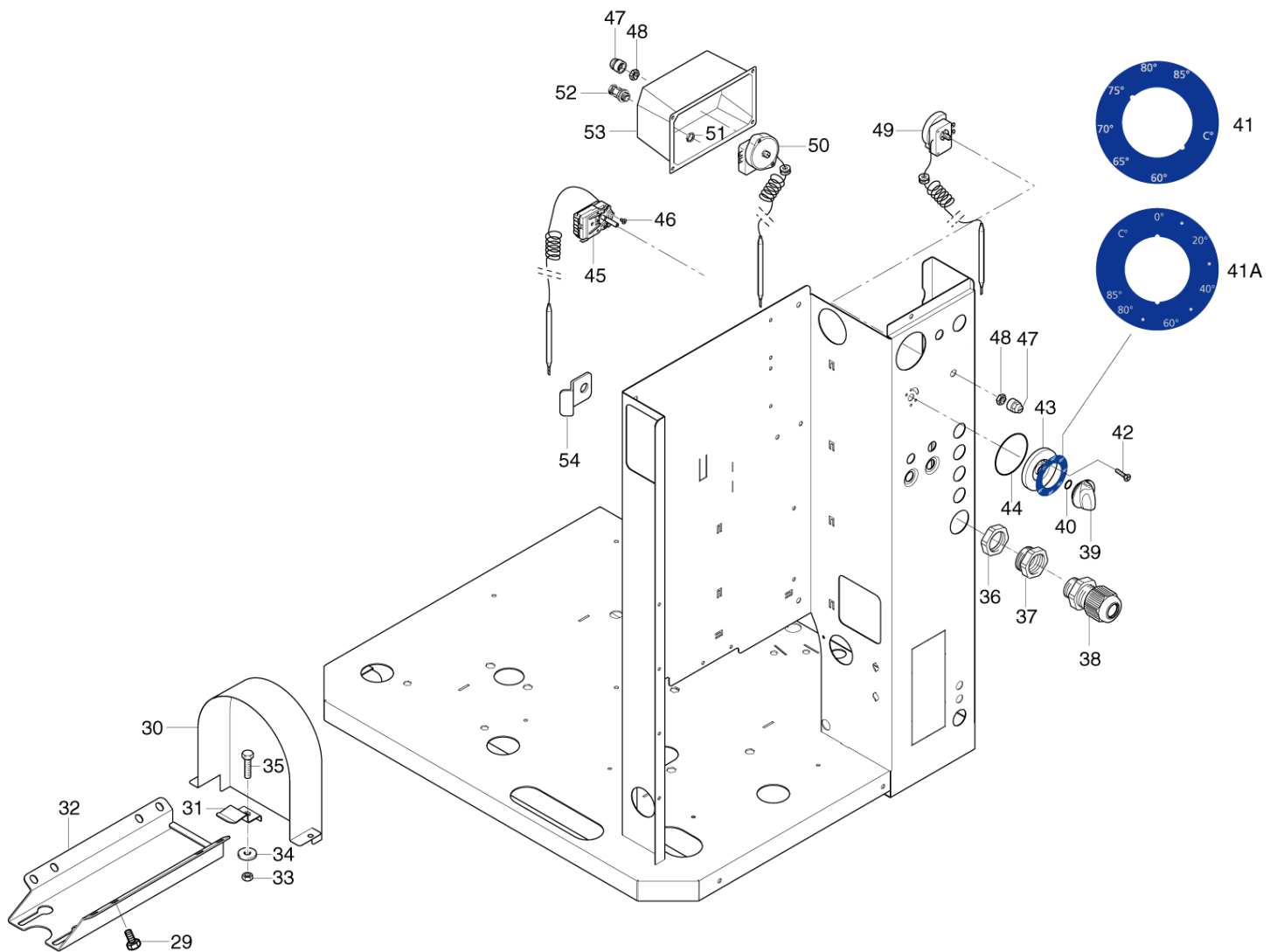
Überblick 2 -GH

SOLAR BOOSTER G, GH

21-01-2013

ET-Liste-Nr.
SOLARBGH04

9



Überblick 2 -GH

SOLAR BOOSTER G, GH

21-01-2013

ET-Liste-Nr.
SOLARBGH04

10

| Pos | Artikelnr. | Me | Beschreibung | |
|-----|------------|----|---|--------------------------------|
| 29 | 1802651 | 4 | Schraube M10x20 | |
| 30 | 107313042 | 1 | OUTLET | |
| 31 | 107313021 | 1 | SPRING LOCK FOR MOTOR | |
| 32 | 107313022 | 1 | Halter f. Pumpe | |
| 33 | 1802966 | 3 | Mutter M10 | |
| 34 | 1801968 | 3 | Scheibe | |
| 35 | 1810209 | 3 | SCREW HEX M10X20 A2 DIN6921 | |
| 36 | 103821842 | 1 | Reduzierung M40-M32 | |
| 37 | 103821874 | 1 | REDUCTION M40/M25 | |
| 38 | 103821831 | 1 | CABLE BUSHING | |
| 39 | 909100204 | 1 | Drehknopf Ø6x5 | |
| 40 | 9868 | 1 | O-Ring Ø10x2,5 | |
| 41 | 107319074 | 1 | Anzeigefolie für Thermost Solar Booster GH | from 01. nov. 2005 |
| 42 | 1801612 | 2 | Schraube | |
| 43 | 107313049 | 1 | FRONT PLATE | |
| 44 | 3001443 | 1 | O-Ring | |
| 45 | 107318153 | 1 | Thermostat 60-85 | SEE TSB SPW-044 REGARDING THIS |
| 46 | 1801612 | 2 | Schraube | |
| 47 | 34970 | 2 | Kappe f. Temp.-Begrenzer | |
| 48 | 47313 | 2 | Mutter M10x1x3 | |
| 49 | 103822046 | 1 | Sicherheitsthermostat 97°C (1750mm) (Alt 47358) | |
| 50 | 47311 | 1 | Temp.-Begrenzer 150°C | |
| 51 | 103821789 | 1 | NUT M12X1.5 PA | |
| 52 | 103821788 | 1 | CABLE BUSHING | |
| 53 | 107313048 | 1 | CONNECTION BOX THERMOSTAT | |
| 54 | 107317024 | 1 | SUPPORT | |
| 41A | 107319072 | 1 | LABEL TEMP. SCALA GH | Until 31.oct. 2005 |

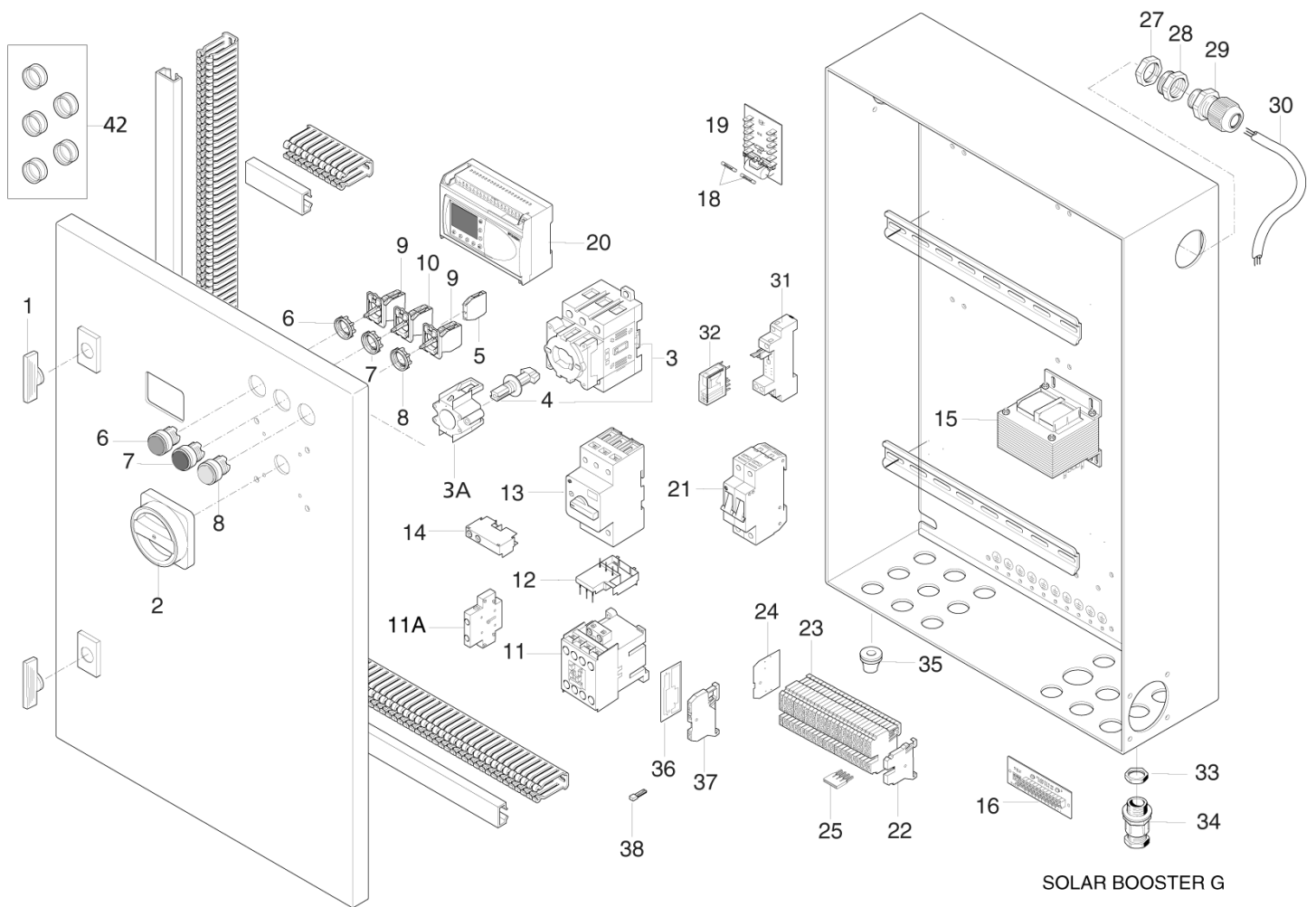
Elektronik -G

SOLAR BOOSTER G, GH

21-01-2013

ET-Liste-Nr.
SOLARBG06

11



Elektronik -G

SOLAR BOOSTER G, GH

21-01-2013

ET-Liste-Nr.
SOLARBG06

12

| Pos | Artikelnr. | Me | Beschreibung | |
|-----|------------|----|---|-------------------------|
| 1 | 103821959 | 2 | KEY | |
| 2 | 3830121 | 1 | Griff für Hauptschalter | |
| 3 | 103821919 | 1 | Hauptschalter 25 A | |
| 4 | 103821960 | 1 | Achse für Hauptschalter 25 AMP | |
| 5 | 103821963 | 1 | Trennplättchen ZB5 AZ101 | MAKE |
| 6 | 103821823 | 1 | Leuchttaster Vorsatz grün | GREEN |
| 7 | 103821824 | 1 | Leuchttaster Vorsatz rot | RED |
| 8 | 103821900 | 1 | Leuchttaster Vorsatz gelb teter Anzeige | YELLOW |
| 9 | 103821825 | 1 | Tastschalter Schließer | MAKE |
| 10 | 103821826 | 1 | Tastschalter Öffner | BREAK |
| 11 | 103822306 | 2 | Schütz CJX2-D18-B7 24V | 230V-1 STK/PC 16A |
| 11 | 103822313 | 1 | Schütz 24V 12-25 A | 23A, 24V |
| 12 | 103821899 | 1 | Anschlussmodul | |
| 13 | 103821898 | 1 | Überstromrelais 10-16A | 400V, from week 34 2009 |
| 13 | 103821903 | 1 | Überstromrelais 18-25A | 230V |
| 13 | 3817319 | 1 | Höchststromschalter KTA3- 25-16 | Up to week 34 2009 |
| 14 | 103821929 | 1 | Hilfsschalter | |
| 15 | 103821847 | 1 | Steuertrafo 230V 24/19V | 230V, 24/19V |
| 16 | 106420052 | 1 | Leiterplatte | |
| 18 | 3812385 | 2 | Sicherung 6,3A/250V/1T Ø5x20 | |
| 19 | 106420051 | 1 | Steuerelektronik "UNO DUO BOOSTER" | |
| 20 | 106426052 | 1 | SPS mit ALTO-Programm G "SOLAR BOOSTER" | |
| 21 | 103821905 | 1 | Sicherung | |
| 22 | 103821922 | 6 | Abschlussplatte | |
| 23 | 103821920 | 36 | Reihenklemme | |
| 24 | 103821921 | 1 | Endplatte | |
| 25 | 103821924 | 2 | Brücke 4-polig | 4-POL. |
| 27 | 103821832 | 1 | NUT M25X1.5 PA/L GREY | M25,1,5 |
| 27 | 103821842 | 1 | Reduzierung M40-M32 | M40,1,5 |
| 28 | 103821874 | 1 | REDUCTION M40/M25 | M40/M25 |
| 29 | 103821831 | 1 | CABLE BUSHING | M25X1,5 |
| 30 | 107318002 | 1 | POWER CORD SOLAR BOOSTER GH | |
| 31 | 103821914 | 1 | BASE FOR MINI RELAY 1POL | 1-POL. |
| 31 | 103821916 | 2 | BASE | 2-POL. |
| 32 | 103821912 | 1 | Minirelais 1P 230V | 1-POL., 230V |
| 32 | 103821915 | 2 | MINI RELAY 2P 24VAC | 2-POL., 24V |
| 33 | 103821778 | 4 | NUT M20X1.5 | M20X1,5 |
| 34 | 103821785 | 4 | Kabelverschraubung | M20X1,5 |
| 35 | 3803780 | 9 | Stopfbuchse 10-14C | |
| 36 | 103821968 | 1 | END PLATE WAGO 4MM2 | |
| 37 | 103821967 | 6 | WIRE TERMINAL WAGO281 800V 4MM2 | |
| 38 | 103821969 | 2 | JUMPER | 2-POL. |
| 3a | 103821907 | 1 | Wellenerweiterung | |

Elektronik -G
SOLAR BOOSTER G, GH

21-01-2013

ET-Liste-Nr.
SOLARBG06

13

| Pos | Artikelnr. | Me | Beschreibung |
|-----|------------|----|------------------------------|
| 42 | 107318028 | 1 | Schutzkappe (VPE 5 Stück) |
| 11A | 3821748 | 1 | AUXILIARY SWITCH AB 100-SB10 |

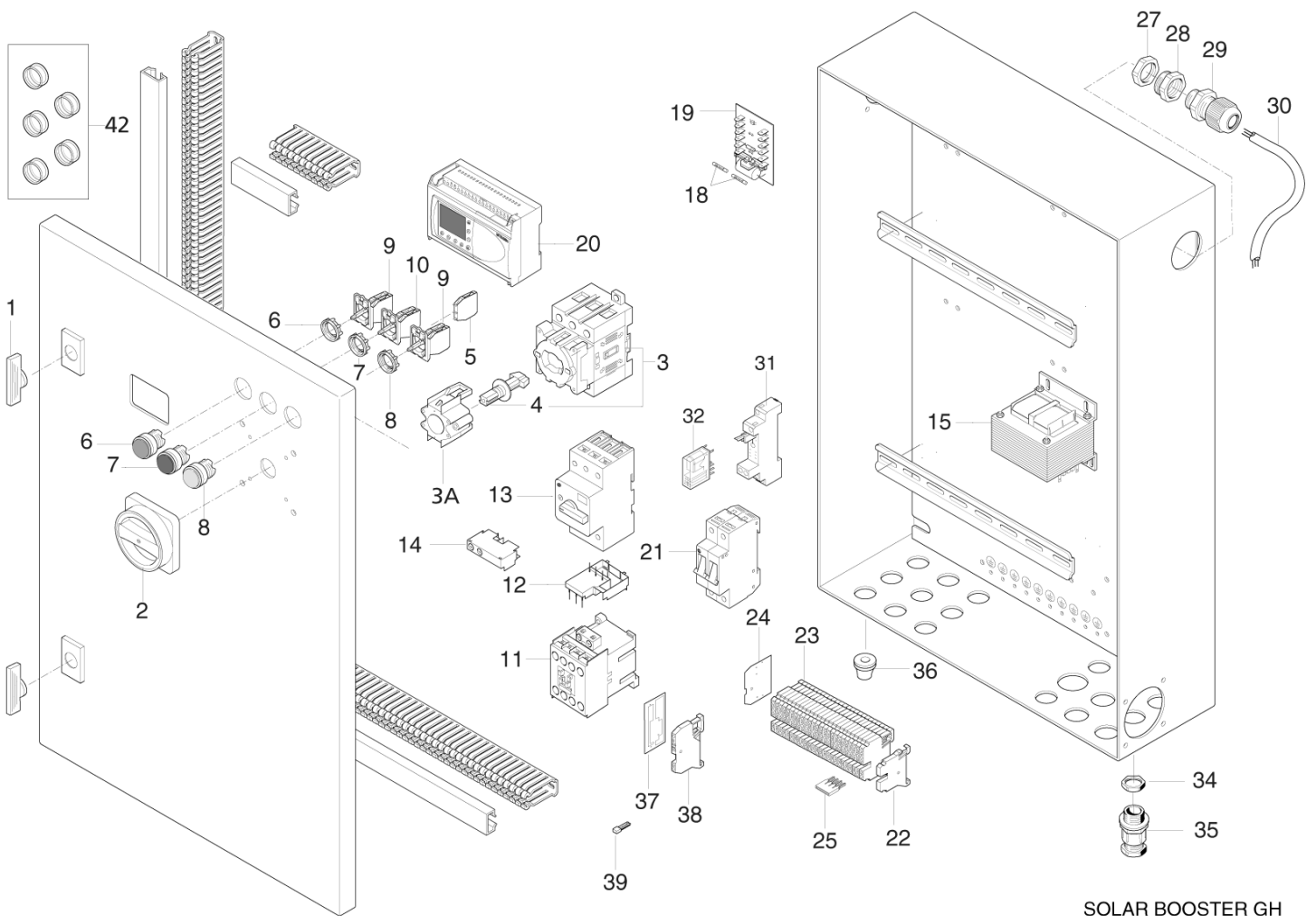
Elektronik -GH

SOLAR BOOSTER G, GH

21-01-2013

ET-Liste-Nr.
SOLARBGH06

14



SOLAR BOOSTER GH

Elektronik -GH

SOLAR BOOSTER G, GH

21-01-2013

ET-Liste-Nr.
SOLARBGH06

15

| Pos | Artikelnr. | Me | Beschreibung |
|-----|------------|----|---|
| 1 | 103821959 | 2 | KEY |
| 2 | 3830121 | 1 | Griff für Hauptschalter |
| 3 | 103821919 | 1 | Hauptschalter 25 A |
| 4 | 103821960 | 1 | Achse für Hauptschalter 25 AMP |
| 5 | 103821963 | 1 | Trennplättchen ZB5 AZ101 |
| 6 | 103821823 | 1 | Leuchttaster Vorsatz grün |
| 7 | 103821824 | 1 | Leuchttaster Vorsatz rot |
| 8 | 103821900 | 1 | Leuchttaster Vorsatz gelb teter Anzeige |
| 9 | 103821825 | 1 | Tastschalter Schließer |
| 10 | 103821826 | 1 | Tastschalter Öffner |
| 11 | 103822306 | 3 | Schütz CJX2-D18-B7 24V |
| 12 | 103821899 | 1 | Anschlussmodul |
| 13 | 103821898 | 1 | Überstromrelais 10-16A |
| 14 | 103821929 | 1 | Hilfsschalter |
| 15 | 103821847 | 1 | Steuertrafo 230V 24/19V |
| 18 | 3812385 | 2 | Sicherung 6,3A/250V/'T' Ø5x20 |
| 19 | 106420051 | 1 | Steuerelektronik "UNO DUO BOOSTER" |
| 20 | 106426051 | 1 | SPS mit ALTO-PROGRAM GH "SOLAR BOOSTER" |
| 21 | 103821905 | 1 | Sicherung |
| 22 | 103821922 | 4 | Abschlussplatte |
| 23 | 103821920 | 36 | Reihenklemme |
| 24 | 103821921 | 1 | Endplatte |
| 25 | 103821924 | 2 | Brücke 4-polig |
| 27 | 103821832 | 1 | NUT M25X1.5 PA/L GREY |
| 27 | 103821842 | 1 | Reduzierung M40-M32 |
| 28 | 103821874 | 1 | REDUCTION M40/M25 |
| 29 | 103821831 | 1 | CABLE BUSHING |
| 30 | 107318002 | 1 | POWER CORD SOLAR BOOSTER GH |
| 31 | 103821914 | 1 | BASE FOR MINI RELAY 1POL |
| 31 | 103821916 | 2 | BASE |
| 32 | 103821912 | 1 | Minirelais 1P 230V |
| 32 | 103821915 | 2 | MINI RELAY 2P 24VAC |
| 34 | 103821778 | 1 | NUT M20X1.5 |
| 35 | 103821785 | 1 | Kabelverschraubung |
| 36 | 3803780 | 1 | Stopfbuchse 10-14C |
| 37 | 103821968 | 1 | END PLATE WAGO 4MM2 |
| 38 | 103821967 | 6 | WIRE TERMINAL WAGO281 800V 4MM2 |
| 39 | 103821969 | 1 | JUMPER |
| 3a | 103821907 | 1 | Wellenerweiterung |
| 42 | 107318028 | 1 | Schutzkappe (VPE 5 Stück) |

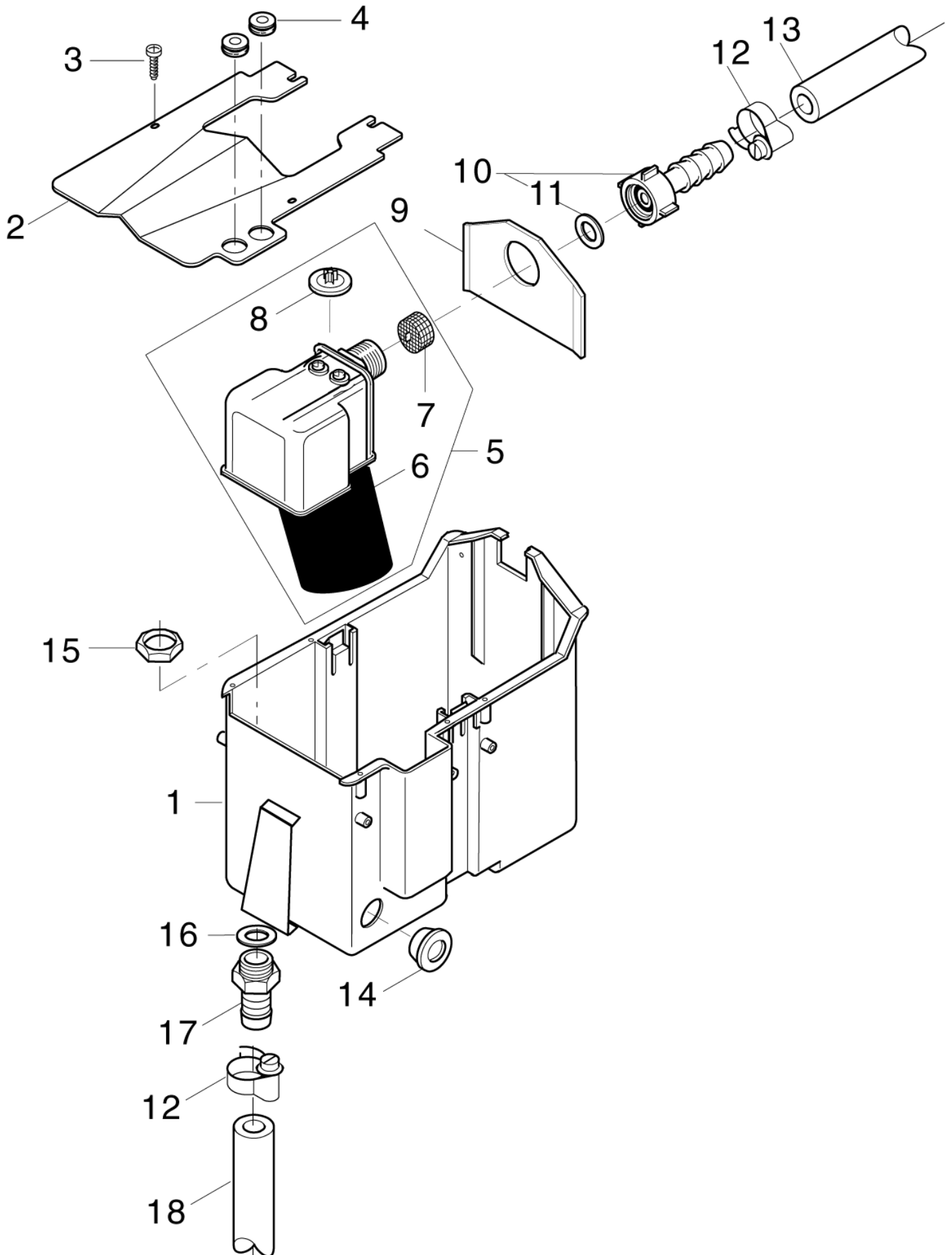
Schwimmerkasten

SOLAR BOOSTER G, GH

21-01-2013

ET-Liste-Nr.
SOLARBGD08

16



Ersatzteile auf www.gluesing.net

Schwimmerkasten

SOLAR BOOSTER G, GH

21-01-2013

ET-Liste-Nr.
SOLARBGD08

17

| Pos | Artikelnr. | Me | Beschreibung |
|-----|------------|----|--|
| 1 | 7350195 | 1 | Wasserkasten bearbeitet 250x150x216 PP |
| 2 | 107302155 | 1 | Deckel für Vorlaufbehälter "UNO BOOSTER" |
| 3 | 16860 | 1 | CW Ejotschraube KA40x12 WN1412 A2 |
| 4 | 5172 | 1 | CW Tülle GUMMI-DG 11 |
| 5 | 63349 | 1 | Schwimmerventil m.Schaumschwimmer vorm. |
| 6 | 62877 | 1 | Schwimmer Ø55x60 |
| 7 | 34225 | 1 | Schmutzfilter |
| 8 | 62878 | 1 | Membrane |
| 9 | 54700 | 1 | Blech 1,0x96x63 |
| 10 | 101609358 | 1 | Schlauchtülle 16X3/4" |
| 11 | 15587 | 1 | Dichtring 14x24x2 |
| 12 | 1810191 | 1 | Schlauschelle Ø14-27 |
| 13 | 5206230 | 1 | Schlauch Meterware ø16/Ø2 6 schw. 12bar PLEASE INDICATE LENGTHS IN METRES WHEN ORDERING |
| 14 | 63539 | 1 | Stopfen Ø36x18 f. Wasservorlaufbehälter |
| 15 | 101609356 | 1 | Mutter |
| 16 | 3449 | 1 | CW Dichtring 21,0x 30,0x 2 |
| 17 | 101609359 | 1 | Schlauchtülle ½ inch X 16mm |
| 18 | 5206230 | 1 | Schlauch Meterware ø16/Ø2 6 schw. 12bar PLEASE INDICATE LENGTHS IN METRES WHEN ORDERING |

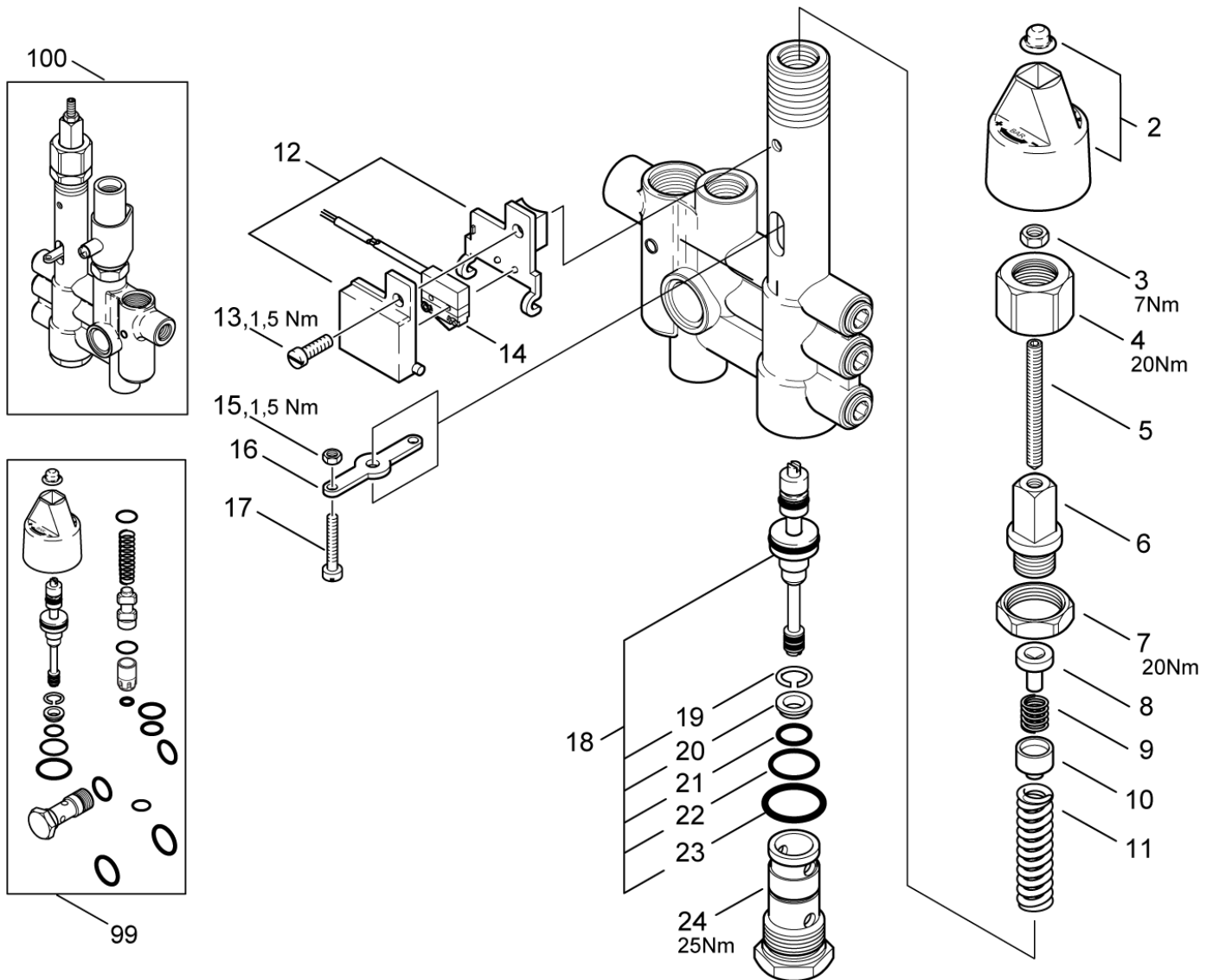
Motor-Pumpeneinheit 7 (a)

SOLAR BOOSTER G, GH

21-01-2013

ET-Liste-Nr.
SOLARB10

18



Motor-Pumpeneinheit 7 (a)

SOLAR BOOSTER G, GH

21-01-2013

ET-Liste-Nr.
SOLARB10

19

| Pos | Artikelnr. | Me | Beschreibung | |
|-----|------------|----|--|-------------------------|
| 2 | 62397 | 1 | Drehknopf (enthält 62701 u. 62699) | part of pos. 99 |
| 3 | 3136 | 1 | CW Sechskantmutter M6 ISO 4032 zn | part of pos. 100 |
| 4 | 62710 | 1 | Überwurfmutter M24x1,5x2 1 | part of pos. 100 |
| 5 | 62711 | 1 | Gewindestift M6x60 | part of pos. 100 |
| 6 | 62712 | 1 | Hohlschraube M16x1x9 | part of pos. 100 |
| 7 | 62696 | 1 | Sechskantmutter M24x1,5x 6 | part of pos. 100 |
| 8 | 62695 | 1 | Federauflage | part of pos. 100 |
| 9 | 62713 | 1 | Druckfeder | part of pos. 100 |
| 10 | 62694 | 1 | Federauflage | part of pos. 100 |
| 11 | 40972 | 1 | Druckfeder 3,5x10,5x54 | part of pos. 100 |
| 12 | 62401 | 1 | Halter (Ers. für 6182937) | |
| 13 | 3349 | 1 | Zylinderschraube M5x16 | |
| 14 | 301000731 | 1 | Endschalter 250V 0,1A | |
| 15 | 2759 | 1 | CW Sechskantmutter M4 ISO 4032 -8 zn | |
| 16 | 62717 | 1 | Schaltfahne | part of pos. 100 |
| 17 | 5076 | 1 | Zylinderschraube M4x25 | |
| 18 | 64314 | 1 | Reparatursatz | part of pos. 99 and 100 |
| 19 | 909100001 | 1 | Sprengring Ø14 | part of pos. 99 and 100 |
| 20 | 62708 | 1 | Ventilsitz Ø8,5/Ø11,4/Ø1 3,9x4 | part of pos. 99 and 100 |
| 21 | 49461 | 1 | O-Ring Ø11x1,5 | part of pos. 99 and 100 |
| 22 | 9523 | 1 | O-Ring Ø17x1,5 | part of pos. 99 and 100 |
| 23 | 32091 | 1 | O-Ring Ø21x2 | part of pos. 99 and 100 |
| 24 | 64301 | 1 | Hohlschraube M24x1,5 | part of pos. 100 |
| 99 | 301001195 | 1 | Reparatursatz RS-Block | 51, 57 |
| 99 | 63056 | 1 | Reparatursatz RS-Block | 37 |
| 100 | 301000903 | 1 | Regelsicherheitsblock "Ne pt.5" (3 - phasig) | 250BAR |

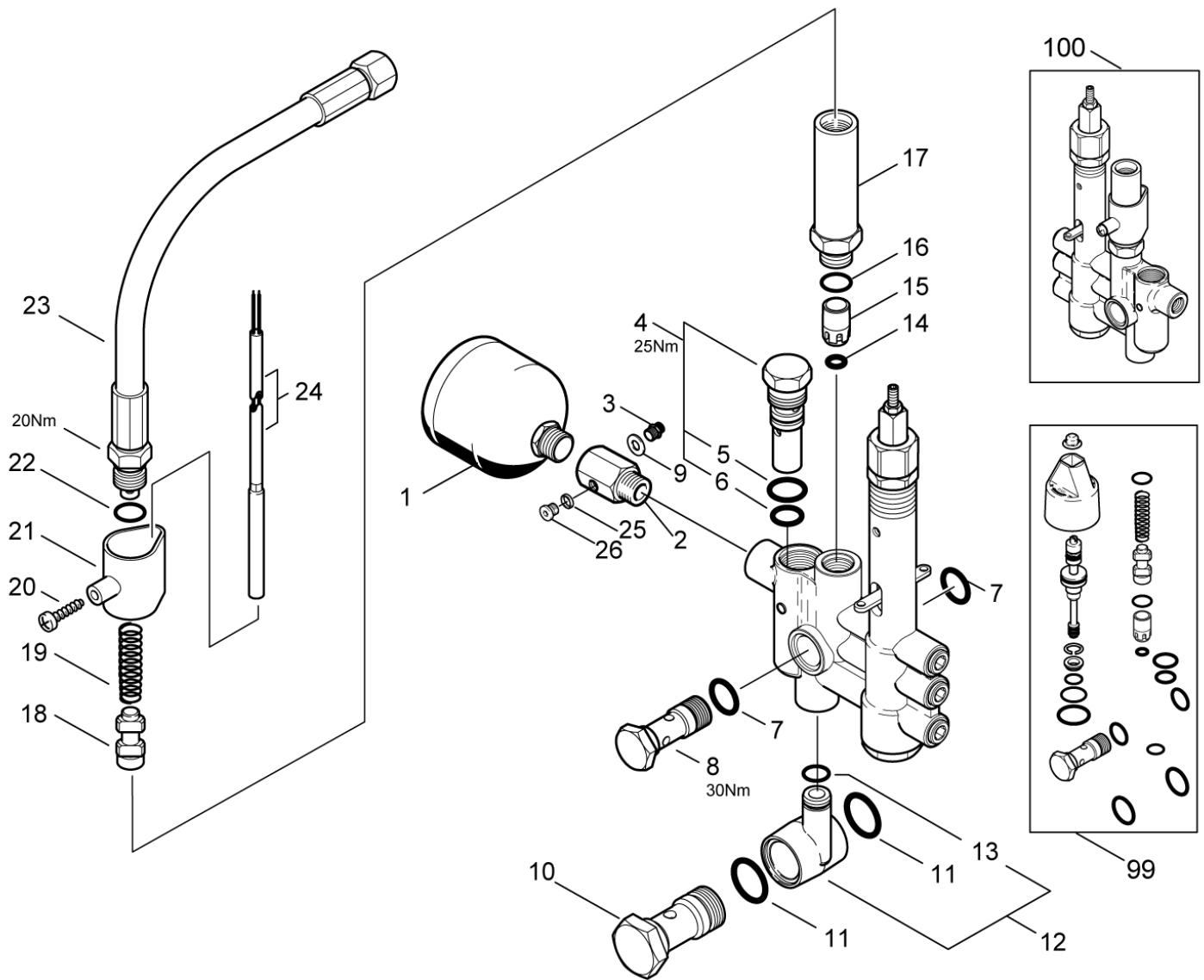
Motor-Pumpeneinheit 7 (b)

SOLAR BOOSTER G, GH

21-01-2013

ET-Liste-Nr.
SOLARB12

20



Motor-Pumpeneinheit 7 (b)

SOLAR BOOSTER G, GH

21-01-2013

ET-Liste-Nr.
SOLARB12

21

| Pos | Artikelnr. | Me | Beschreibung | |
|-----|------------|----|--|---------------------------|
| 1 | 63090 | 1 | Hydrospeicher 0,14 250b ar | |
| 2 | 107312001 | 1 | Muffe | |
| 3 | 1821 | 1 | Verschraubung XGE 6LR1/8 | |
| 4 | 301000911 | 1 | Sicherheitsventil 250 ba r | 51,57 |
| 4 | 62730 | 1 | Sicherheitsventil 200 ba r | 37 |
| 5 | 16443 | 1 | O-Ring Ø17x2 | part of pos. 99 |
| 6 | 62706 | 1 | O-Ring Ø13x2 | part of pos. 99 |
| 7 | 16443 | 2 | O-Ring Ø17x2 | part of pos. 99 |
| 8 | 62697 | 1 | Hohlschraube G3/8 | part of pos. 99 |
| 9 | 101814735 | 1 | Dichtscheibe 1/8"PP45C | |
| 10 | 107121503 | 1 | Hohlschraube | |
| 11 | 24347 | 2 | CW O-Ring 21,0 x 2,5 D IN 3770 | part of pos. 99 |
| 12 | 63058 | 1 | Anschluss | |
| 13 | 13739 | 1 | O-Ring 10,0 X2,0 DIN 3770 NBR70 | part of pos. 99 |
| 14 | 56519 | 1 | O-Ring Ø6,5x3 | part of pos. 99 and 100 |
| 15 | 301000905 | 1 | Kolben Ø14,6x25,5 | part of pos. 99 and 100 |
| 16 | 16998 | 1 | O-Ring Ø14x1,5 | part of pos. 99 and 100 |
| 17 | 62722 | 1 | Hülse | part of pos. 100 |
| 18 | 57571 | 1 | Kontaktkolben | part of pos. 99 for 37 |
| 18 | 63538 | 1 | Kontaktkolben | part of pos. 99 for 51,57 |
| 19 | 6231 | 1 | Druckfeder 0,5x11x44 | part of pos. 99 |
| 20 | 10028 | 1 | CW Ejotschraube KA50x14 WN1411 v erz | part of pos 100 |
| 21 | 62399 | 1 | Halter | part of pos.100 |
| 22 | 62706 | 1 | O-Ring Ø13x2 | part of pos. 99 |
| 23 | 101406030 | 1 | HD-Schlauch | |
| 24 | 301002458 | 1 | Rohrmagnetschalter ø8x75 (Ers. f. 301000694) | |
| 25 | 101814735 | 1 | Dichtscheibe 1/8"PP45C | |
| 26 | 4443 | 1 | Shr Vers. G1/8 DIN 9 08 Zn | |
| 99 | 301001195 | 1 | Reparatursatz RS-Block | 51,57 |
| 99 | 63056 | 1 | Reparatursatz RS-Block | 37 |
| 100 | 301000903 | 1 | Regelsicherheitsblock "Ne pt.5" (3 - phasig) | 250BAR |

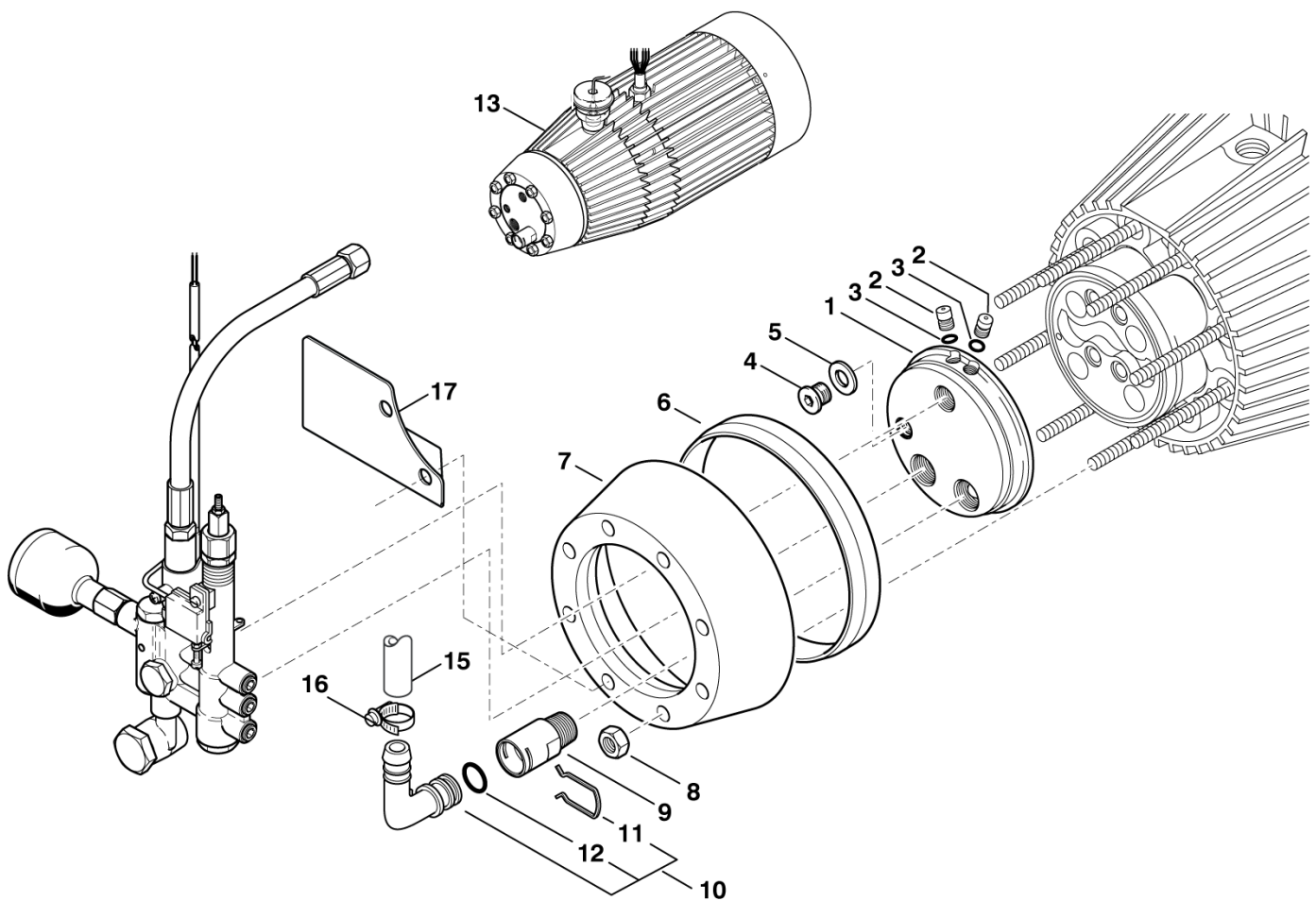
Motor-Pumpeneinheit 7 (c)

SOLAR BOOSTER G, GH

21-01-2013

ET-Liste-Nr.
SOLARB14

22



Motor-Pumpeneinheit 7 (c)

SOLAR BOOSTER G, GH

21-01-2013

ET-Liste-Nr.
SOLARB14

23

| Pos | Artikelnr. | Me | Beschreibung | |
|-----|------------|----|--|----------------------------------|
| 1 | 107121500 | 1 | Scheibe Ø109x22 | |
| 2 | 107121501 | 2 | Stopfen Ø8x10,5 | |
| 3 | 3000270 | 2 | O-Ring Ø5,1x1,6 | |
| 4 | 6180660 | 1 | Pfropfen | |
| 5 | 3001740 | 1 | O-Ring Ø7,66x1,78 | |
| 6 | 6301392 | 1 | Abstandsring | |
| 7 | 6100602 | 1 | Spannring | |
| 8 | 1800465 | 8 | Mutter M10 Mutter M10 | |
| 9 | 107121502 | 1 | Hülse | |
| 10 | 1119210 | 1 | Reparatursatz Einlasswin kel | |
| 11 | 6180661 | 1 | Klammer | |
| 12 | 3004226 | 1 | O-Ring Ø13x3 | |
| 13 | 107310000 | 1 | Motor-Pumpeneinheit Solar Booster 7-57 D | for 7-57 and 7-58D, 7-58E, 7-58G |
| 13 | 107310001 | 1 | Motorpump unit S7-51 EU | for 7-51D, 7-51GH and 7-52GH |
| 13 | 107310002 | 1 | Motor Pumpeneinheit S7-37E EU | for 7-37E and 7-38E |
| 13 | 107310010 | 1 | Motorpumpeneinheit | for 7-63D |
| 15 | 107318087 | 1 | Schlauch 5/8, 2m | |
| 16 | 8298 | 1 | CW Schlauchschelle SGL 16 -27 | |
| 17 | 107318139 | 1 | BRACKET FOR C3 | |

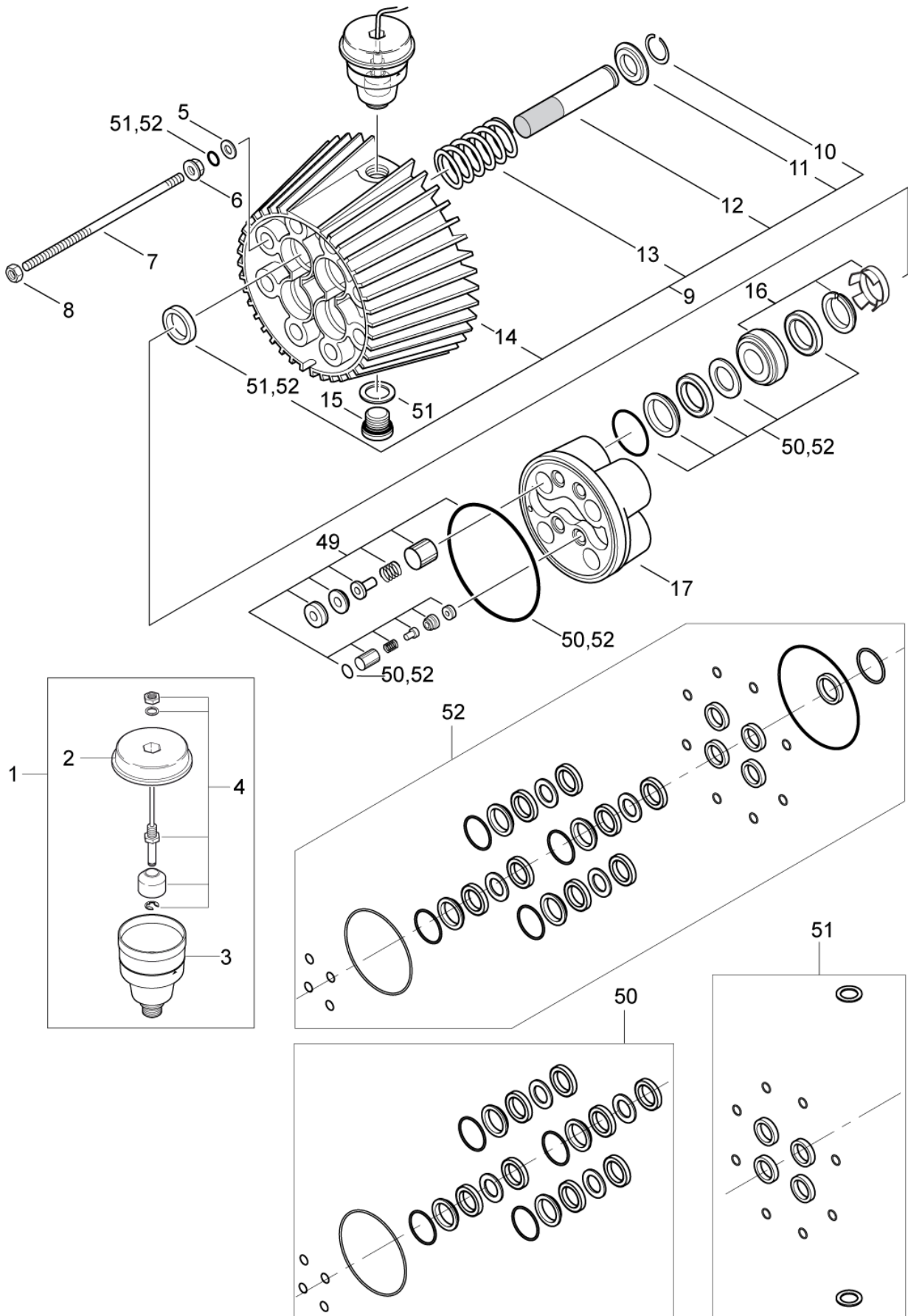
Motor-Pumpeneinheit 7 (d)

SOLAR BOOSTER G, GH

21-01-2013

ET-Liste-Nr.
SOLARB16

24



Ersatzteile auf www.gluesing.net

Motor-Pumpeneinheit 7 (d)

SOLAR BOOSTER G, GH

21-01-2013

ET-Liste-Nr.
SOLARB16

25

| Pos | Artikelnr. | Me | Beschreibung | |
|-----|------------|----|---------------------------------------|------|
| - | 5218433 | 1 | Pumpenöl 150 1x1l | 1,0l |
| 1 | 301000616 | 1 | Füllstandsanzeige Pumpenö l v orm. PP | |
| 2 | 301000615 | 1 | Deckel Ø70x15,5 | |
| 3 | 301000614 | 1 | Ölbehälter Ø66,8x84 | |
| 4 | 301001196 | 1 | Schwimmerschalter 10VA | |
| 5 | 6100718 | 8 | Scheibe 10x16x1 | |
| 6 | 6100719 | 8 | Druckring | |
| 7 | 6301368 | 8 | Stehbolzen | |
| 8 | 1800465 | 8 | Mutter M10 Mutter M10 | |
| 9 | 6300071 | 1 | Zylinderblock Kompl. | |
| 10 | 1802529 | 4 | Sicherungsring Ø24 | |
| 11 | 6100666 | 4 | Ring | |
| 12 | 6301166 | 4 | Keramischer Druckkolben | |
| 13 | 102602517 | 4 | Zugfeder 4,3x41x61,5 | |
| 14 | 6100610 | 1 | Zylinderblock | |
| 15 | 6150400 | 1 | Verschlusspfropfen | |
| 16 | 101119850 | 4 | Dichtung Set Gleitring + Stützring | |
| 17 | 107120701 | 1 | Zylinderkopf C3 | |
| 49 | 1119195 | 1 | Reparatursatz Ein-Auslas s-Ventilsyst | |
| 50 | 1119571 | 1 | Dichtsatz | |
| 51 | 1119820 | 1 | Reparatursatz Öldichtung | |
| 52 | 1119570 | 1 | Dichtsatz | |

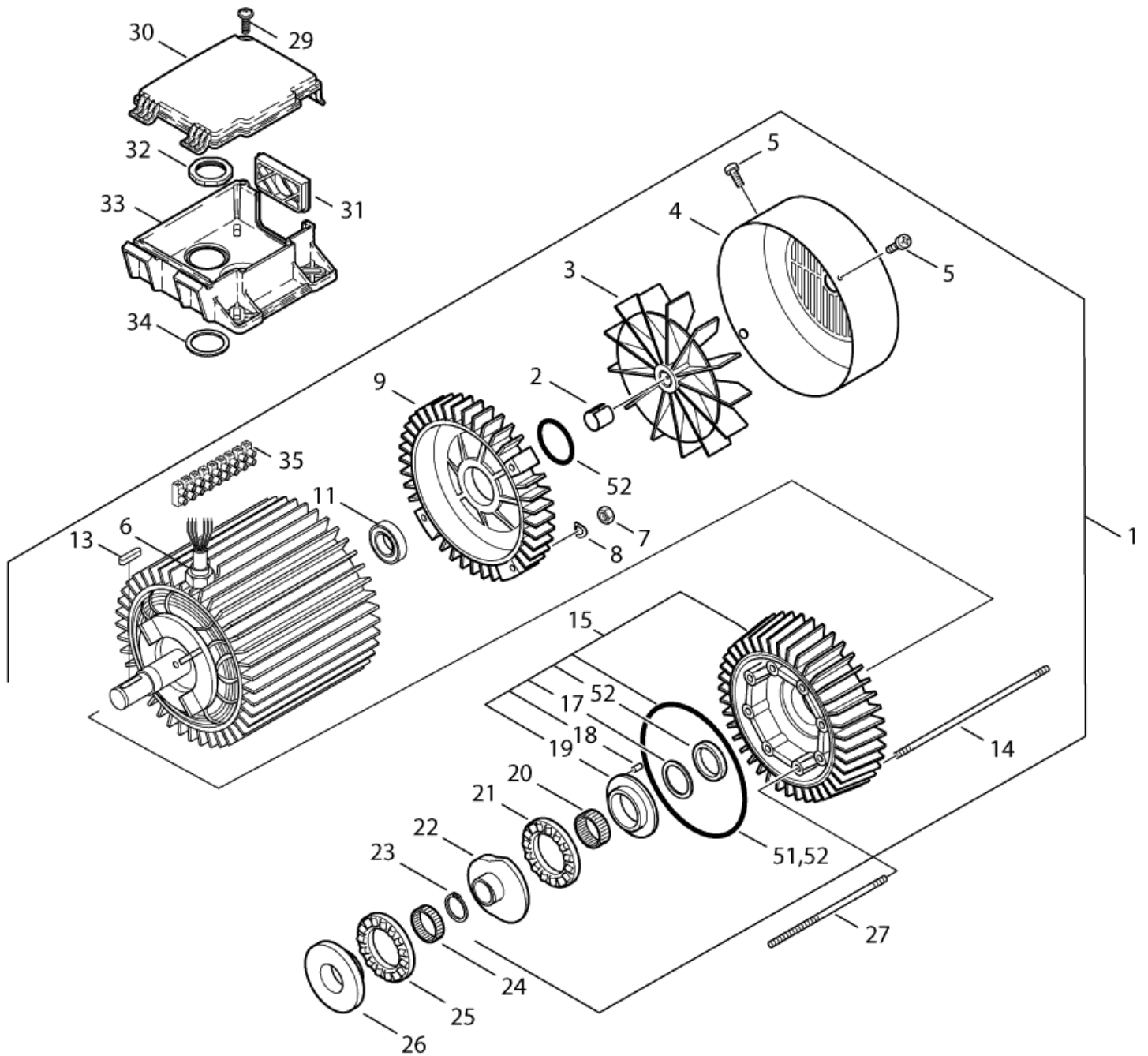
Motor-Pumpeneinheit 7 (e)

SOLAR BOOSTER G, GH

21-01-2013

ET-Liste-Nr.
SOLARB18

26



Motor-Pumpeneinheit 7 (e)

SOLAR BOOSTER G, GH

21-01-2013

ET-Liste-Nr.
SOLARB18

27

| Pos | Artikelnr. | Me | Beschreibung | |
|-----|------------|----|--|--|
| 0 | 107310000 | 1 | Motor-Pumpeneinheit Solar Booster 7-57 D | for 7-57 |
| 0 | 107310001 | 1 | Motorpump unit S7-51 EU | for 7-51D, 7-51GH |
| 0 | 107310002 | 1 | Motor Pumpeneinheit S7-37E EU | for 7-37E |
| 0 | 107310010 | 1 | Motorpumpeneinheit | for 7-63D |
| 1 | 107310070 | 1 | Motor 6,5KW 400-415, 230V /3/50 Hz | for 7-57, 1100l/h (DISC no.12) |
| 1 | 107310071 | 1 | Motor 5,5 Kw 400-415 230/ 3/50 | for 7-51, 1030l/h (DISC no. 10) |
| 1 | 107310072 | 1 | Motor 5.5kW 400-415.230/3/50 | for 7-37, 810l/h (DISC no.3) |
| 1 | 107310073 | 1 | MOTOR 5.5KW 440/3/60 | for 7-51, 1050L/h 440/3/60 (DISC no.4) |
| 1 | 107310074 | 1 | MOTOR 2.1KW 230/1/50 | 230V/1/50HZ (DISC no. 16) |
| 2 | 1802503 | 1 | Sicherungshülse | |
| 3 | 6100607 | 1 | Ventilator m. Schraube | |
| 4 | 6100609 | 1 | Deckel | |
| 5 | 101814693 | 4 | Schraube M4x8 | |
| 6 | 107302152 | 1 | Verschraubung G1"AG/G3/4 " | |
| 7 | 2758 | 4 | CW Sechskantmutter M8 ISO 4032 zn | |
| 8 | 1801182 | 4 | Federring 8,1 | |
| 9 | 107140617 | 1 | Lagerabdeckung | From week 32 2009 (EME) |
| 9 | 6100611 | 1 | N-Lagerdeckel | Up to week 32 2009 (ATB) |
| 11 | 3200623 | 1 | N-Lager | |
| 13 | 3200672 | 1 | Passfeder 6x6x32 | |
| 14 | 6100711 | 8 | Stehbolzen L261mm | for 7-51, 7-37 |
| 14 | 6100712 | 8 | Stehbolzen L306mm | for 7-57 |
| 15 | 107140615 | 1 | Lagerabdeckung, v orn | From week 32 2009 (EME) - TSB-PPW-2011-013 C3 Pump |
| 15 | 6101750 | 1 | D-Lagerdeckel Kompl. | Up to week 32 2009 (ATB) - TSB-PPW-2011-013 C3 Pum |
| 17 | 6100995 | 1 | Scheibe 53x40,5x1,25 | |
| 18 | 6100996 | 1 | Kegelstift | |
| 19 | 107120703 | 1 | Lagerscheibe Motorseitig | |
| 20 | 3200656 | 1 | Nadellager K40x45x17 | |
| 21 | 3200615 | 1 | Axialrollenlager | |
| 22 | 107120706 | 1 | WOBBLE DISC 16 | 2,1KW 230/1/50 |
| 22 | 107120707 | 1 | Taumelscheibe 3 | (7-37) 5,5KW-810 400,230/3/50 |
| 22 | 107120708 | 1 | Taumelscheibe No.4 | 7-51E54H |
| 22 | 107120714 | 1 | Taumelscheibe 10 | (7-51) |
| 22 | 107120716 | 1 | Taumelscheibe No.12 | (7-57) |
| 23 | 1802511 | 1 | Sicherungsring 28x1,2 | |
| 24 | 3200664 | 1 | Nadellager K40x45x13A | |
| 25 | 3200615 | 1 | Axialrollenlager | |
| 26 | 107120704 | 1 | Lagerscheibe Pumpenseiti g | |
| 27 | 6301368 | 8 | Stehbolzen | |
| 29 | 10028 | 1 | CW Ejotschraube KA50x14 WN1411 verz | |
| 30 | 301000782 | 1 | Deckel Klemmk. 128,2x11 2,5 | |
| 31 | 17106 | 1 | Einsatz 29x52 | |
| 32 | 20862 | 1 | Rohrmutter R1" | |

Motor-Pumpeneinheit 7 (e)

SOLAR BOOSTER G, GH

21-01-2013

ET-Liste-Nr.
SOLARB18

28

| Pos | Artikelnr. | Me | Beschreibung |
|-----|------------|----|--|
| 33 | 301000781 | 1 | Klemmkasten |
| 34 | 103004340 | 1 | Dichtring 1" |
| 35 | 101117839 | 1 | TERMINAL PLUG AND TERMINAL PINS |
| 36 | | 1 | Einsatz 29x52 |
| 49 | | 1 | Reparatursatz Ein-Auslass-Ventilsystem |
| 50 | | 1 | Dichtsatz |
| 51 | 1119820 | 1 | Reparatursatz Öldichtung |
| 52 | 1119570 | 1 | Dichtsatz |

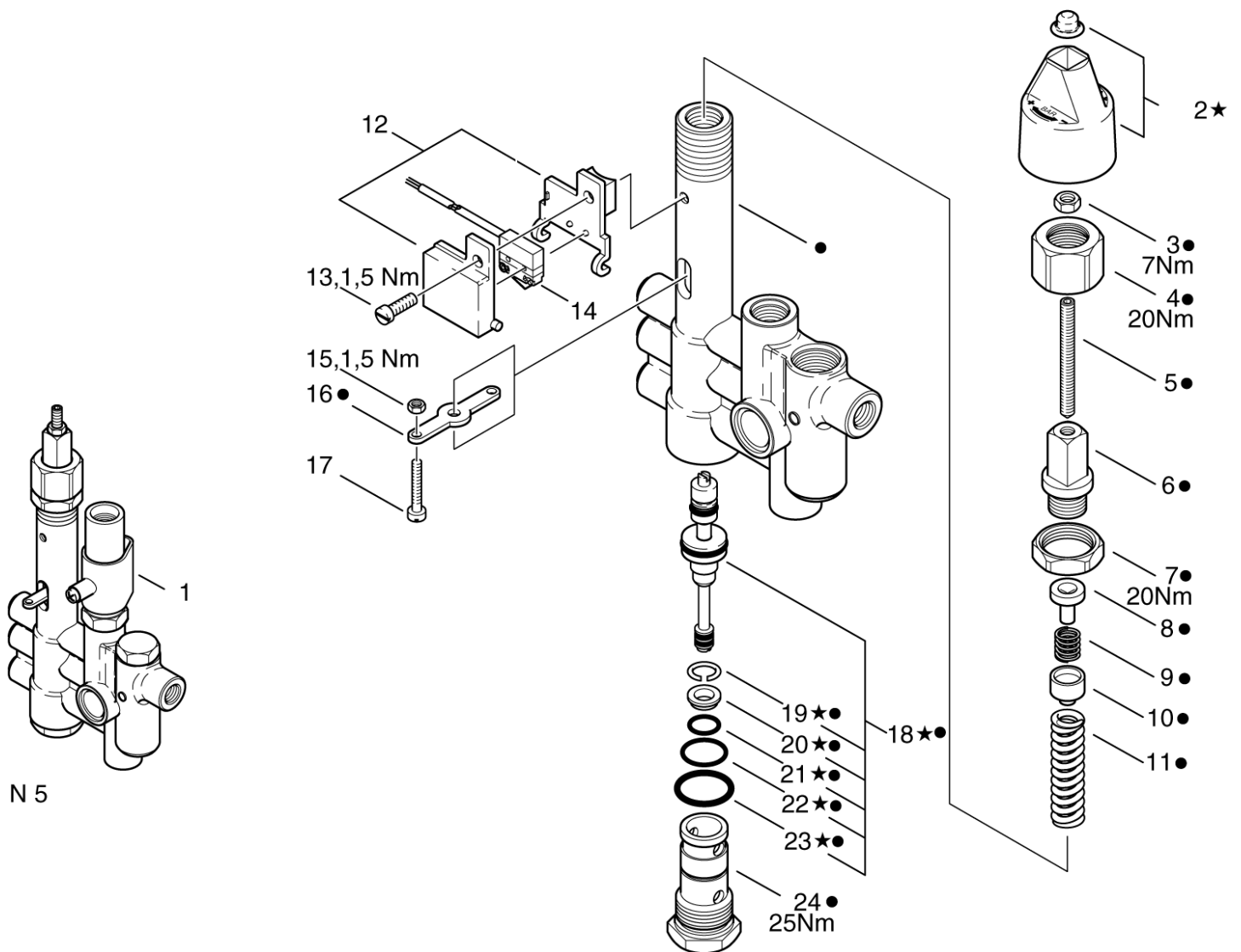
Motor-Pumpeneinheit 5 (a)

SOLAR BOOSTER G, GH

21-01-2013

ET-Liste-Nr.
SOLARB20

29



Motor-Pumpeneinheit 5 (a)

SOLAR BOOSTER G, GH

21-01-2013

ET-Liste-Nr.
SOLARBZU

30

| Pos | Artikelnr. | Me | Beschreibung | |
|-----|------------|----|--|----------------------------|
| 1 | 301000902 | 1 | Regelsicherheitsblock "N ept. 5" (1- phasig) | (27&35) SEE POS.99, 200BAR |
| 2 | 62397 | 1 | Drehknopf (enthält 62701 u. 62699) | (27&35) |
| 3 | 3136 | 1 | CW Sechskantmutter M6 ISO 4032 zn | (27&35) SEE POS.99 |
| 4 | 62710 | 1 | Überwurfmutter M24x1,5x2 1 | (27&35) SEE POS.99 |
| 5 | 62711 | 1 | Gewindestift M6x60 | (27&35) SEE POS.99 |
| 6 | 62712 | 1 | Hohlschraube M16x1x9 | (27&35) SEE POS.99 |
| 7 | 62696 | 1 | Sechskantmutter M24x1,5x 6 | (27&35) SEE POS.99 |
| 8 | 62695 | 1 | Federauflage | (27&35) SEE POS.99 |
| 9 | 62713 | 1 | Druckfeder | (27&35) SEE POS.99 |
| 10 | 62694 | 1 | Federauflage | (27&35) SEE POS.99 |
| 11 | 40972 | 1 | Druckfeder 3,5x10,5x54 | (27&35) SEE POS.99 |
| 12 | 62401 | 1 | Halter (Ers. für 6182937) | (27&35) |
| 13 | 3349 | 1 | Zylinderschraube M5x16 | (27&35) |
| 14 | 301000731 | 1 | Endschalter 250V 0,1A | (27&35) |
| 15 | 2759 | 1 | CW Sechskantmutter M4 ISO 4032 -8 zn | (27&35) |
| 16 | 62717 | 1 | Schaltfahne | (27&35) SEE POS.99 |
| 17 | 5076 | 1 | Zylinderschraube M4x25 | (27&35) |
| 18 | 64314 | 1 | Reparatursatz | (27&35) SEE POS.98&99 |
| 19 | 909100001 | 1 | Sprengring Ø14 | (27&35) SEE POS.98&99 |
| 20 | 62708 | 1 | Ventilsitz Ø8,5/Ø11,4/Ø1 3,9x4 | (27&35) SEE POS.98&99 |
| 21 | 49461 | 1 | O-Ring Ø11x1,5 | (27&35) SEE POS.98&99 |
| 22 | 9523 | 1 | O-Ring Ø17x1,5 | (27&35) SEE POS.98&99 |
| 23 | 32091 | 1 | O-Ring Ø21x2 | (27&35) SEE POS.98&99 |
| 24 | 64301 | 1 | Hohlschraube M24x1,5 | (27&35) SEE POS.99 |
| 98 | 63056 | 1 | Reparatursatz RS-Block | (27&35) |
| 99 | 301000902 | 1 | Regelsicherheitsblock "N ept. 5" (1- phasig) | (27&35) |

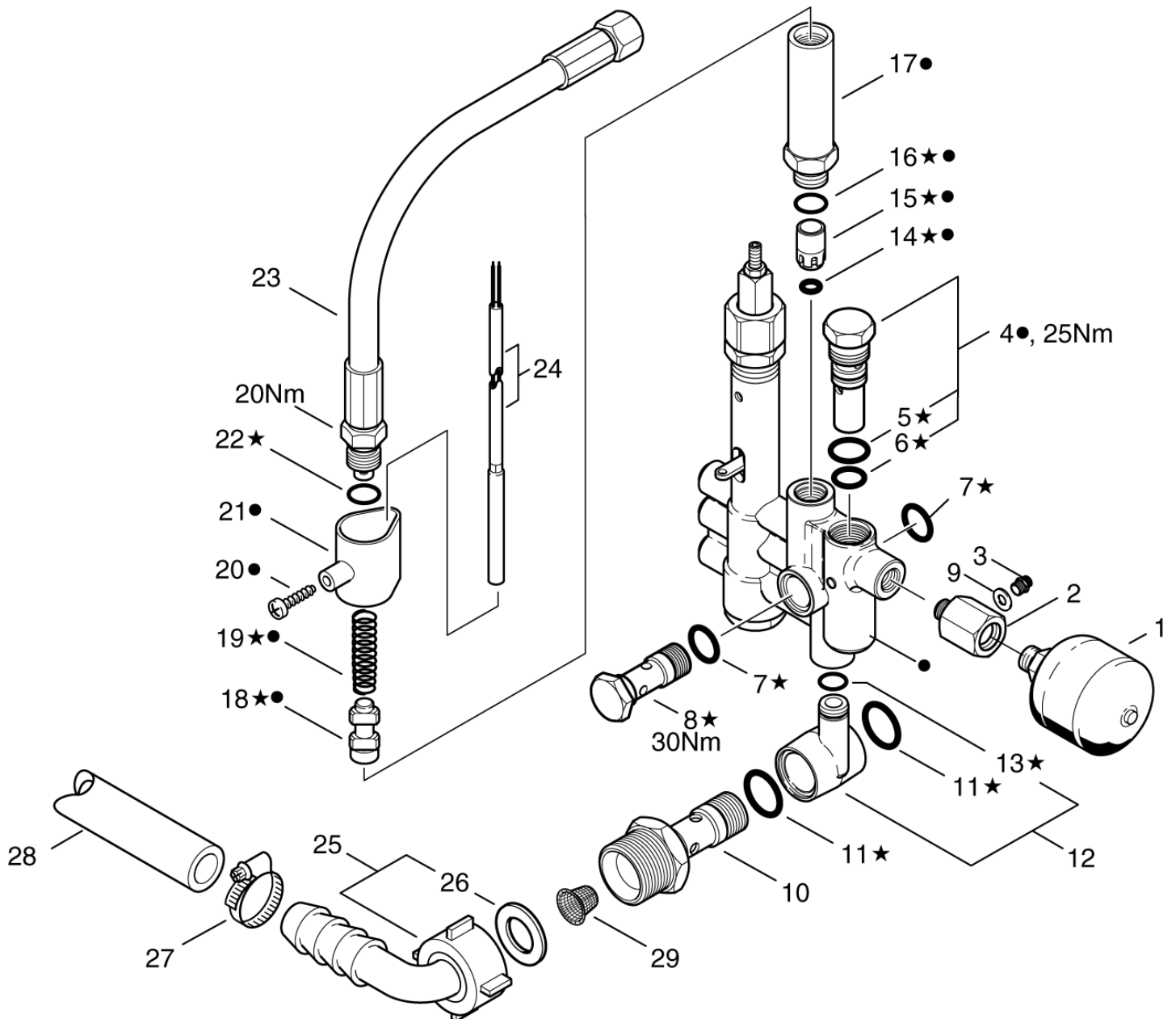
Motor-Pumpeneinheit 5 (b)

SOLAR BOOSTER G, GH

21-01-2013

ET-Liste-Nr.
SOLARB22

31



Motor-Pumpeneinheit 5 (b)

SOLAR BOOSTER G, GH

21-01-2013

ET-Liste-Nr.
SOLARBZZ

32

| Pos | Artikelnr. | Me | Beschreibung | |
|-----|------------|----|--|---|
| 1 | 63090 | 1 | Hydrospeicher 0,14 250bar | (27&35) |
| 2 | 107312001 | 1 | Muffe | (27&35) |
| 3 | 1821 | 1 | Verschraubung XGE 6LR1/8 | (27&35) |
| 4 | 62730 | 1 | Sicherheitsventil 200 bar | (27&35) 200BAR |
| 5 | 16443 | 1 | O-Ring Ø17x2 | (27&35) SEE POS.98 |
| 6 | 62706 | 1 | O-Ring Ø13x2 | (27&35) SEE POS.98 |
| 7 | 16443 | 2 | O-Ring Ø17x2 | (27&35) SEE POS.98 |
| 8 | 62697 | 1 | Hohlschraube G3/8 | (27&35) SEE POS.98 |
| 9 | 101814735 | 1 | Dichtscheibe 1/8"PP45C | (27&35) |
| 10 | 64302 | 1 | Hohlschraube G1/2"-G3/4 | (27&35) |
| 11 | 24347 | 2 | CW O-Ring 21,0 x 2,5 D IN 3770 | (27&35) SEE POS.98 |
| 12 | 63058 | 1 | Anschluss | (27&35) |
| 13 | 13739 | 1 | O-Ring 10,0 X2,0 DIN 3770 NBR70 | (27&35) SEE POS.98 |
| 14 | 56519 | 1 | O-Ring Ø6,5x3 | (27&35) SEE POS.98 |
| 15 | 301000905 | 1 | Kolben Ø14,6x25,5 | (27&35) SEE POS.98 |
| 16 | 16998 | 1 | O-Ring Ø14x1,5 | (27&35) SEE POS.98 |
| 17 | 62722 | 1 | Hülse | (27&35) SEE POS.98 |
| 18 | 57571 | 1 | Kontaktkolben | (27&35) SEE POS.98&99 |
| 19 | 6231 | 1 | Druckfeder 0,5x11x44 | (27&35) SEE POS.98&99 |
| 20 | 10028 | 1 | CW Ejotschraube KA50x14 WN1411 verz | (27&35) SEE POS.99 |
| 21 | 62399 | 1 | Halter | (27&35) SEE POS.99 |
| 22 | 62706 | 1 | O-Ring Ø13x2 | (27&35) SEE POS.98 |
| 23 | 101406030 | 1 | HD-Schlauch | (27&35) |
| 24 | 301002458 | 1 | Rohrmagnetschalter ø8x75 (Ers. f. 301000694) | (27&35) |
| 25 | 5613 | 1 | CW Schlauchtülle °13 90° üM 3/4 Ku | (27&35) |
| 26 | 15587 | 1 | Dichtring 14x24x2 | (27&35) |
| 27 | 8298 | 1 | CW Schlauchschelle SGL 16 -27 | (27&35) |
| 28 | 5206230 | 1 | Schlauch Meterware ø16/Ø2 6 schw. 12bar | (27&35) PLS. INDICATE LENGTH IN METRES! |
| 29 | 101117926 | 1 | FILTER | (27&35) |
| 98 | 63056 | 1 | Reparatursatz RS-Block | (27&35) |
| 99 | 301000902 | 1 | Regelsicherheitsblock "N ept. 5" (1- phasig) | (27&35) |

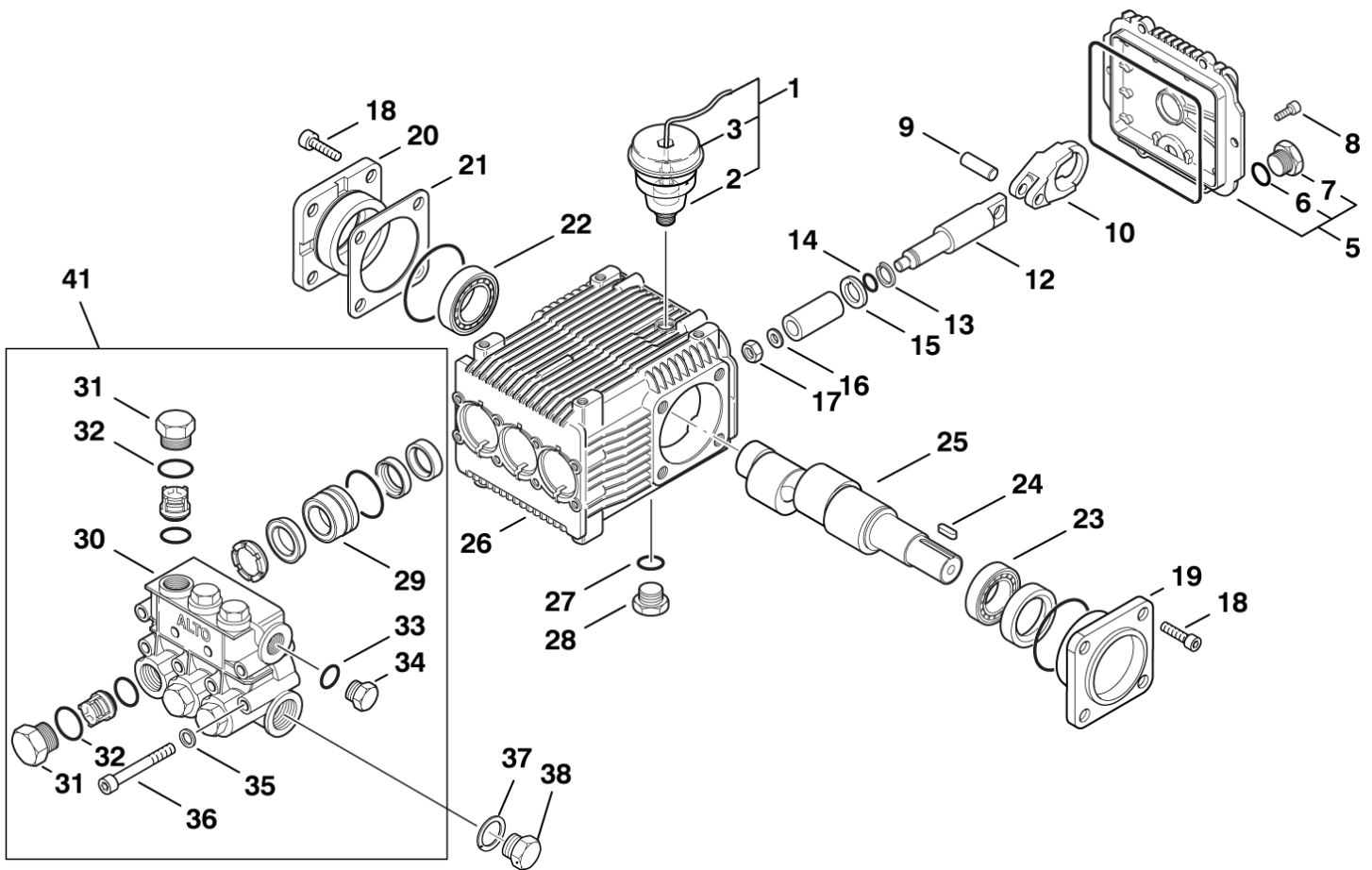
Motor-Pumpeneinheit 5 (c)

SOLAR BOOSTER G, GH

21-01-2013

ET-Liste-Nr.
SOLARB24

33



Motor-Pumpeneinheit 5 (c)

SOLAR BOOSTER G, GH

21-01-2013

ET-Liste-Nr.
SOLARB24

34

| Pos | Artikelnr. | Me | Beschreibung | |
|-----|------------|----|--|--------------------|
| - | 107144146 | 1 | Pumpenöl NA5 1 Liter | SAE 15W 40, 0,45l |
| 1 | 301000616 | 1 | Füllstandsanzeige Pumpenöl l v orm. PP | (27&35) |
| 2 | 301000614 | 1 | Ölbehälter Ø66,8x84 | (27&35) |
| 3 | 301000615 | 1 | Deckel Ø70x15,5 | (27&35) |
| 5 | 301001158 | 1 | Deckel | (27&35) |
| 6 | 56554 | 2 | O-Ring Ø14x1,78 | (27&35) |
| 7 | 301001135 | 1 | Stopfen G3/8" | (27&35) |
| 8 | 909100158 | 6 | Zylinderschraube M6x14 | (27&35) |
| 9 | 301001138 | 3 | Bolzen | (27&35) |
| 10 | 301001168 | 3 | Pleuel (1 Stück) | (27&35) |
| 12 | 301001156 | 3 | Kolbenstange | (27&35) |
| 13 | 49900 | 3 | Stützring Ø8x11x1 | (27&35) |
| 14 | 3001740 | 3 | O-Ring Ø7,66x1,78 | (27&35) |
| 15 | 301001139 | 3 | Distanzscheibe | (27&35) |
| 16 | 909100165 | 3 | Dichtring Ø8x17 | (27&35) |
| 17 | 909100167 | 3 | Sechskantmutter M8 | (27&35) |
| 18 | 2788 | 8 | Zylinderschraube M8x16 | (27&35) |
| 19 | 301001167 | 1 | Lagerdeckel 80x80x8 Off en | (27&35) OPEN |
| 20 | 301001166 | 1 | Lagerdeckel 80x80x8 Ges chl. | (27&35) CLOSED |
| 21 | 301001140 | 1 | Passscheibe 80x80x0,05 | (27&35) 80X80X0,05 |
| 21 | 301001141 | 1 | Passscheibe 80x80x0,10 | (27&35) 80X80X0,10 |
| 21 | 301001142 | 1 | Passscheibe 80x80x0,20 | (27&35) 80X80X0,20 |
| 21 | 301001143 | 1 | Passscheibe 80x80x0,25 | (27&35) 80X80X0,25 |
| 22 | 909100163 | 1 | Wälzlager 30304 | (27&35) |
| 23 | 909100162 | 1 | Wälzlager 30205 | (27&35) |
| 24 | 19639 | 1 | Passfeder A 8x7x25 | (27&35) |
| 25 | 301001161 | 1 | Kurbelwelle No.6 | (27) |
| 25 | 301001163 | 1 | Kurbelwelle No.3 | (35) |
| 26 | 301001157 | 1 | Gehäuse | (27&35) |
| 27 | 56554 | 1 | O-Ring Ø14x1,78 | (27&35) |
| 28 | 301001135 | 1 | Stopfen G3/8" | (27&35) |
| 29 | 301001154 | 3 | Kolbenführung Ø18 "NP5- Pumpe" | (27&35) |
| 30 | 301001172 | 1 | Ventilblock | (27&35) |
| 31 | 301001137 | 6 | Stopfen M22 SW24x21 | (27&35) |
| 32 | 103004342 | 6 | O-Ring Ø17,86x2,62 | (27&35) |
| 33 | 1409 | 1 | Dichtring Ø17x23 | (27&35) |
| 34 | 301001134 | 1 | Stopfen G3/8" | (27&35) |
| 35 | 909100168 | 8 | Sicherungsscheibe Ø8 | (27&35) |
| 36 | 1814597 | 8 | Zylinderschraube M8x70 | (27&35) |
| 37 | 5127 | 1 | Dichtring Ø21x26 | (27&35) |
| 38 | 301001136 | 1 | Stopfen G1/2"/SW24x17 | (27&35) |
| 41 | 301001170 | 1 | Ventilblock Kpl. Ø18mm K olben | (27&35) |

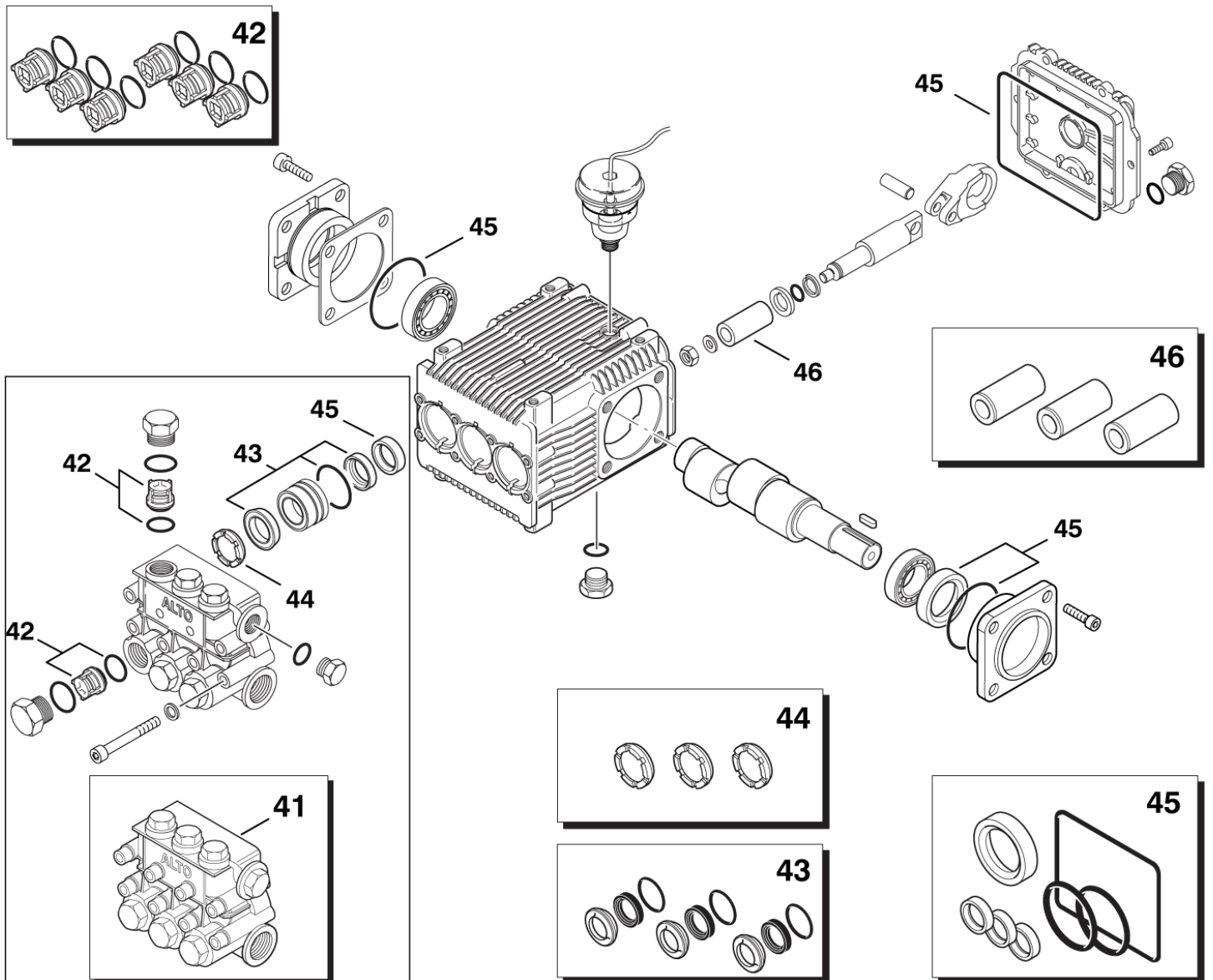
Motor-Pumpeneinheit 5 (d)

SOLAR BOOSTER G, GH

21-01-2013

ET-Liste-Nr.
SOLARB26

35



Motor-Pumpeneinheit 5 (d)

SOLAR BOOSTER G, GH

21-01-2013

ET-Liste-Nr.
SOLARBZ6

36

| Pos | Artikelnr. | Me | Beschreibung | |
|-----|------------|----|--|---------|
| 41 | 301001170 | 1 | Ventilblock Kpl. Ø18mm K olben | (27&35) |
| 42 | 301001153 | 1 | ET-Set Ventile [6x] | (27&35) |
| 43 | 301001148 | 1 | ET-Set Kolbendichtung Ø1 8 (Für 3 Kolben) | (27&35) |
| 44 | 301001151 | 1 | ET-Set Stützring Ø18 (3 St. enthalten) | (27&35) |
| 45 | 301001150 | 1 | ET-Set Öldichtung | (27&35) |
| 46 | 301001146 | 1 | ET-Set Keramikkolben Ø18 (Set 3 Keramikhülsen) | 27&35) |
| 47 | 301000994 | 1 | Pumpe NP5 | (27) |
| 48 | 301000790 | 1 | Pumpe NP5 | (35) |

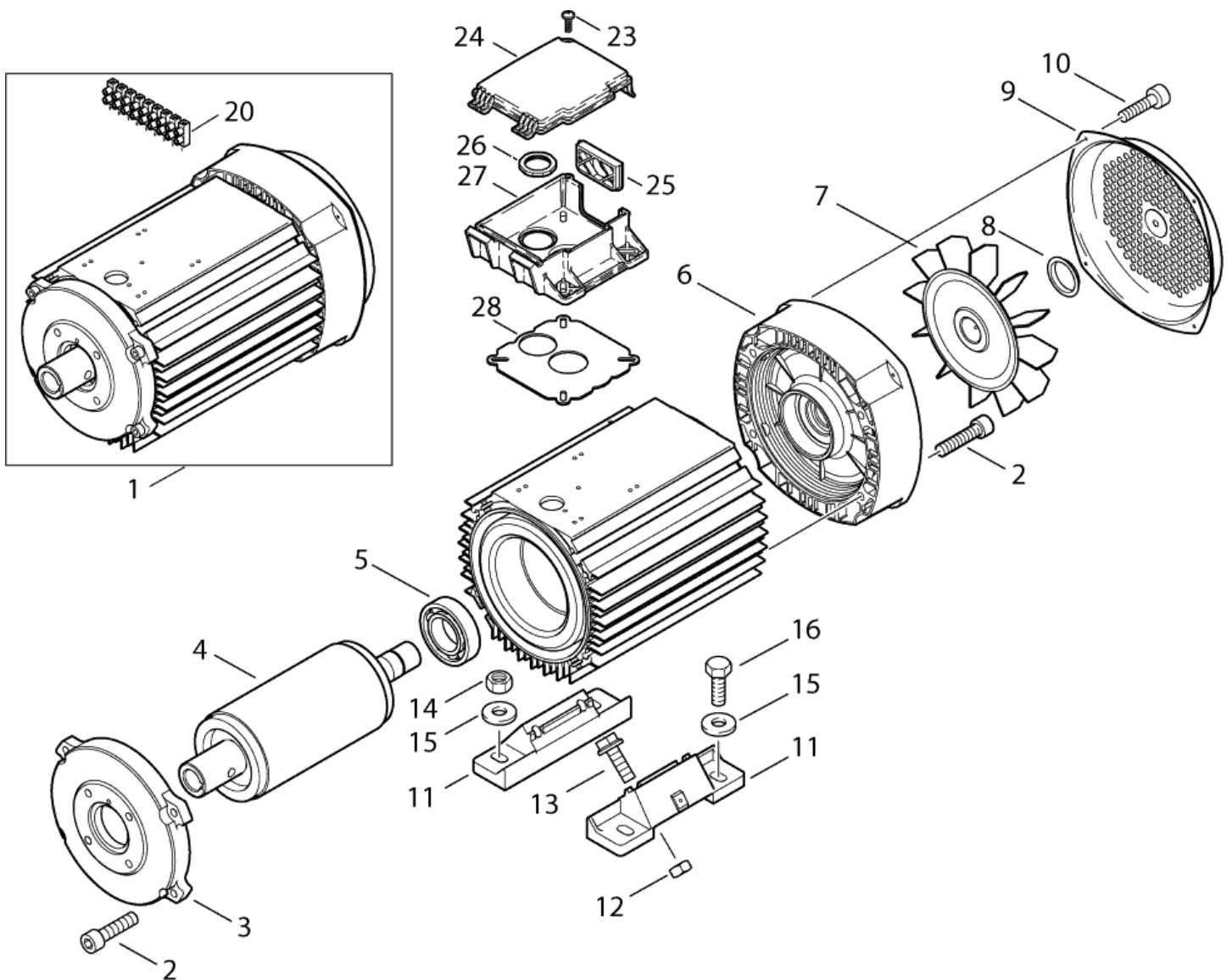
Motor-Pumpeneinheit 5 (e)

SOLAR BOOSTER G, GH

21-01-2013

ET-Liste-Nr.
SOLARB28

37



Motor-Pumpeneinheit 5 (e)

SOLAR BOOSTER G, GH

21-01-2013

ET-Liste-Nr.
SOLARBZ8

38

| Pos | Artikelnr. | Me | Beschreibung | |
|-----|------------|----|---|--------------|
| 1 | 101118018 | 1 | MOTOR ELD112 2.2KW 230V 1PH | (27) 1~ |
| 1 | 101118019 | 1 | MOTOR 4.5KW 230/400 3 PHASEN | (35) 3~ |
| 2 | 15045 | 8 | Zylinderschraube M6x35 | (27) 1~ |
| 2 | 6863 | 8 | Zylinderschraube M8x35 | (35) 3~ |
| 3 | 301001119 | 1 | Motorflansch | (35) 3~ |
| 3 | 301001120 | 1 | Motorflansch | (27) 1~ |
| 4 | 301001121 | 1 | Rotor Motor 2,2kW | (27) 1~ |
| 4 | 301001122 | 1 | Rotor Motor 4,5kW | (35) 3~ |
| 5 | 5905 | 1 | Wälzlager 6306-2Z | (35) 3~ |
| 5 | 6367 | 1 | Wälzlager 6206-2Z | (27) 1~ |
| 6 | 301001113 | 1 | Lagerdeckel Hinten | (35) REAR 3~ |
| 6 | 301001114 | 1 | Lagerdeckel Hinten | (27) REAR 1~ |
| 7 | 301001117 | 1 | Lüfterrad | (35) 3~ |
| 7 | 301001118 | 1 | Lüfterrad | (27) 1~ |
| 8 | 301001112 | 1 | Klemmring | (27&35) |
| 9 | 301001115 | 1 | Lüfterhaube | (35) 3~ |
| 9 | 301001116 | 1 | Lüfterhaube | (27) 1~ |
| 10 | 8822 | 4 | Blechschrabe 3,5x9,5 | (27&35) |
| 11 | 301001126 | 4 | Motorfuß H45mm | (35) 3~ |
| 11 | 301001127 | 2 | Motorfuß H51mm | (27) 1~ |
| 12 | 6052 | 1 | CW Sechskantmutter M8 DIN 985 ZN | (27&35) |
| 13 | 27372 | 1 | Schraube M8x20 | (27&35) |
| 14 | 61467 | 4 | Sechskantmutter M8 "TENS ILOCK" St-zn | (27&35) |
| 15 | 2793 | 4 | CW Scheibe 8,4x2,0 A ISO 7093-1 zn | (27&35) |
| 16 | 2750 | 4 | CW Sechskantschraube M8x 25 ISO 4017 zn | (27&35) |
| 20 | 101117839 | 1 | TERMINAL PLUG AND TERMINAL PINS | |
| 23 | 10028 | 4 | CW Ejotschraube KA50x14 WN1411 verz | (27&35) |
| 24 | 301000782 | 1 | Deckel Klemmk. 128,2x11 2,5 | (27&35) |
| 25 | 17106 | 1 | Einsatz 29x52 | (27&35) |
| 26 | 20862 | 1 | Rohrmutter R1" | (27&35) |
| 27 | 301000781 | 1 | Klemmkasten | (27&35) |
| 28 | 301000845 | 1 | Dichtung Form 100x100x1 | (27&35) |

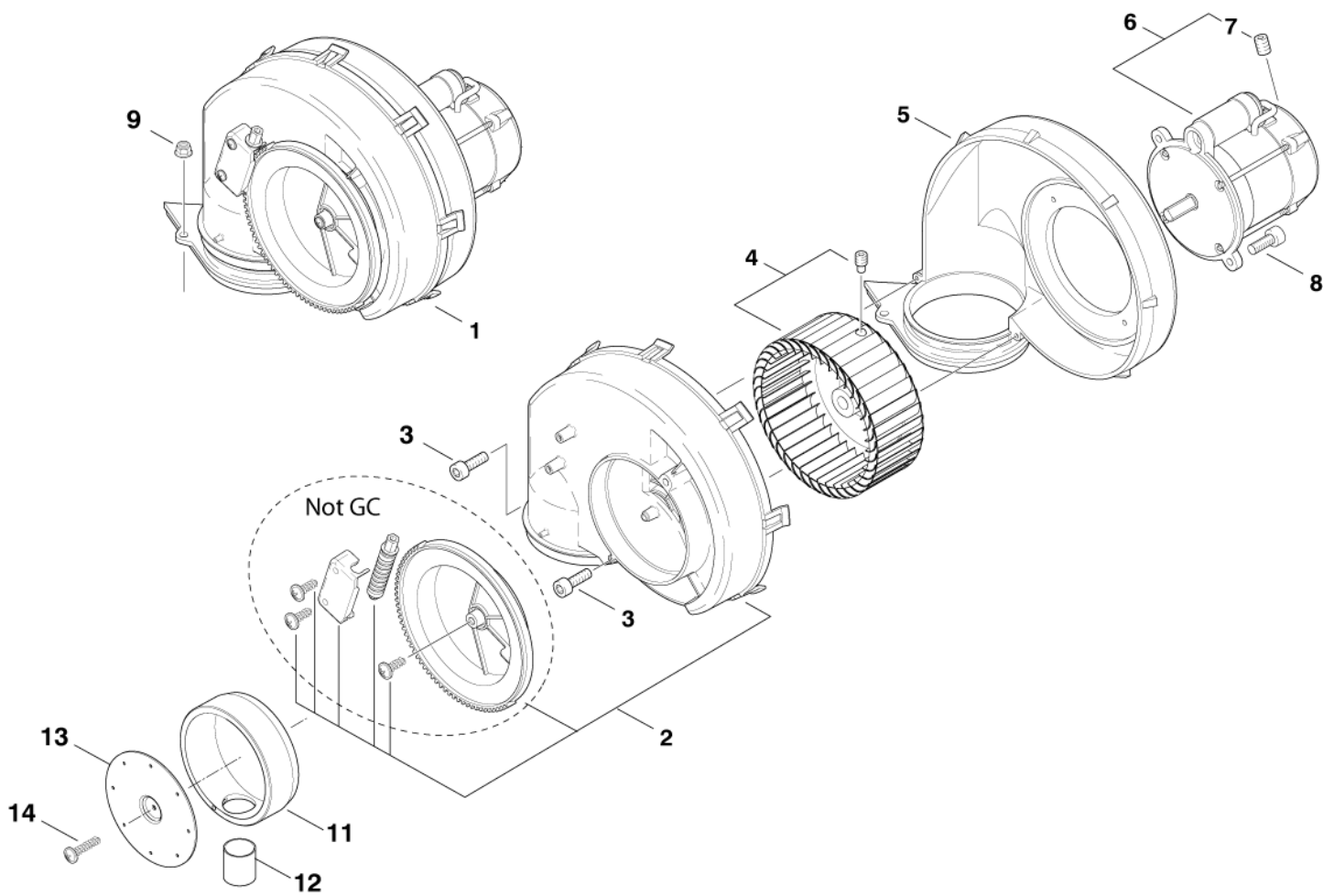
Gebälse -G

SOLAR BOOSTER G, GH

21-01-2013

ET-Liste-Nr.
SOLARBG34

39



Gebläse -G

SOLAR BOOSTER G, GH

21-01-2013

ET-Liste-Nr.
SOLARBG34

40

| Pos | Artikelnr. | Me | Beschreibung |
|-----|------------|----|--|
| 1 | 301000908 | 1 | Gebälsegehäuse Vorm. |
| 2 | 301000852 | 1 | Abdeckung Gebläse Vorm . |
| 3 | 32535 | 2 | Zylinderschraube M5x16 |
| 4 | 301000889 | 1 | Gebälserad Ø160x60 |
| 5 | 301000495 | 1 | Gehäuse |
| 6 | 301000882 | 1 | Brennermotor 180W/230V/5 0Hz |
| 7 | 30180 | 3 | Gewindestift M5x10 DIN 91 4 |
| 8 | 4697 | 2 | Zylinderschraube M6x16 |
| 9 | 12496 | 1 | Sechskantmutter M6 |
| 11 | 107317025 | 1 | FLANGE (5-35CG&7-357GC) |
| 12 | 107317026 | 1 | TUBE (5-35CG&7-357GC) |
| 13 | 107317021 | 1 | END PLATE (5-35CG&7-357GC) |
| 14 | 1813427 | 1 | Schraube EJOT- KB50x42 WN 1411 sw (5-35CG&7-357GC) |

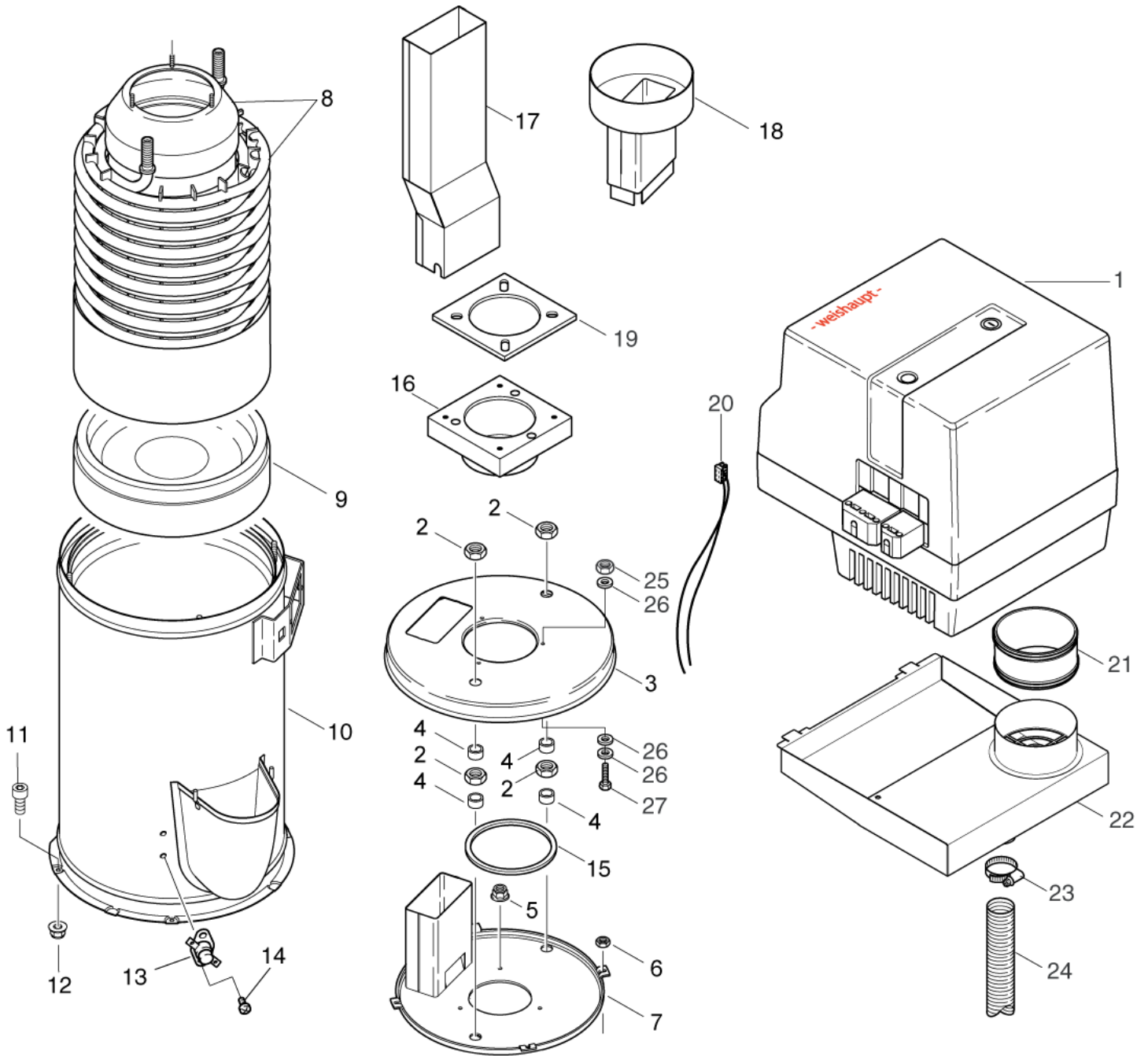
Boiler - G

SOLAR BOOSTER G, GH

21-01-2013

ET-Liste-Nr.
SOLARBG30

41



Boiler - G

SOLAR BOOSTER G, GH

21-01-2013

ET-Liste-Nr.
SOLARBG30

42

| Pos | Artikelnr. | Me | Beschreibung |
|-----|------------|----|---------------------------------------|
| 1 | 101406032 | 1 | GAS BRENNER |
| 2 | 7012 | 4 | Mutter 6kt M18x1,5 |
| 3 | 301000534 | 1 | Brennerdeckel Außen |
| 4 | 301000582 | 4 | Buchse Ø22x1,5x24 |
| 5 | 12496 | 3 | Sechskantmutter M6 |
| 6 | 12263 | 4 | Sechskantmutter M6 |
| 7 | 301001441 | 1 | BRENNERDECKEL INNEN VORM. |
| 8 | 301001099 | 1 | Heizschlange-Set "Neptun e 7+8" |
| 9 | 301000916 | 1 | Isolierung Ø320,5x89 |
| 10 | 301000969 | 1 | Brennermantel Kpl. "Neptun e 7+8" |
| 11 | 3913 | 4 | Zylinderschraube M6x12 |
| 12 | 12496 | 4 | Sechskantmutter M6 |
| 13 | 3821228 | 1 | Thermostat mit Ausschalter 60C |
| 14 | 1803519 | 2 | SHEET METAL SCREW BZ 6X6 |
| 15 | 107317019 | 1 | Dichtung |
| 16 | 107317014 | 1 | Flansch |
| 17 | 107317018 | 1 | Schornstein |
| 18 | 301001089 | 1 | Abgasrohr D148x197 geschw VA1.4301 |
| 19 | 103004369 | 1 | Dichtung f. Gasbrenner SOL AR BOOSTER |
| 20 | 107318013 | 1 | Stecker für Res. Brenner m Kabel |
| 21 | 101609366 | 1 | Muffe (5-35GC&7-357GC) |
| 22 | 107317023 | 1 | Saugkasten (5-35GC&7-357GC) |
| 23 | 1810225 | 2 | Schlauchschelle (5-35GC&7-357GC) |
| 24 | 5218743 | 1 | HOSE FLEXIBLE 25 (5-35GC&7-357GC) |
| 25 | 1804285 | 3 | Sechskantmutter M5 |
| 26 | 1813807 | 9 | Scheibe M6 |
| 27 | 1806389 | 3 | 6-ktSchraube M5x30 |

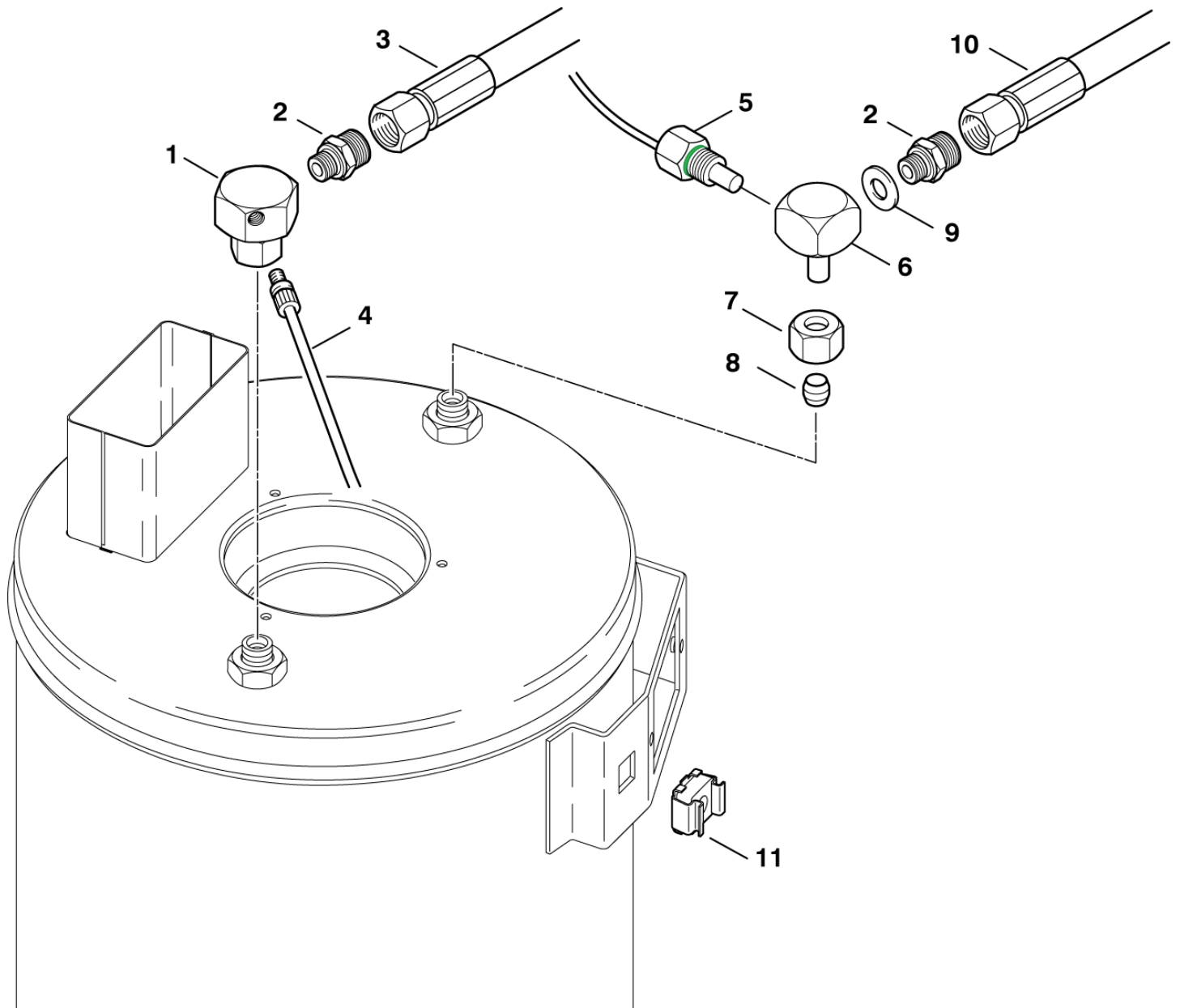
Verteiler -G

SOLAR BOOSTER G, GH

21-01-2013

ET-Liste-Nr.
SOLARBG32

43



Verteiler -G

SOLAR BOOSTER G, GH

21-01-2013

ET-Liste-Nr.
SOLARBG3Z

44

| Pos | Artikelnr. | Me | Beschreibung |
|-----|------------|----|------------------------------------|
| 1 | 301000847 | 1 | Verteiler 6kt-SW36x39 CuZn |
| 2 | 3938 | 1 | Verschraubung L12 G1/4 |
| 3 | 101406030 | 1 | HD-Schlauch |
| 4 | 301000732 | 1 | Thermosicherung 108°C |
| 5 | 6420251 | 1 | Fuehler f. Temp.reg.+Ther moscha |
| 6 | 6200275 | 1 | WINKEL FÜR SPIRAL |
| 7 | 1081 | 1 | CW Überwurfmutter DIN 387 0-A L 12 |
| 8 | 1080 | 1 | CW Schneidring L12 B DIN 38 |
| 9 | 1801075 | 1 | Dichtring Ø23,8xØ17,2x2 |
| 10 | 101406031 | 1 | HD-Schlauch d 8x370 |
| 11 | 909100152 | 2 | Käfigmutter M8 |

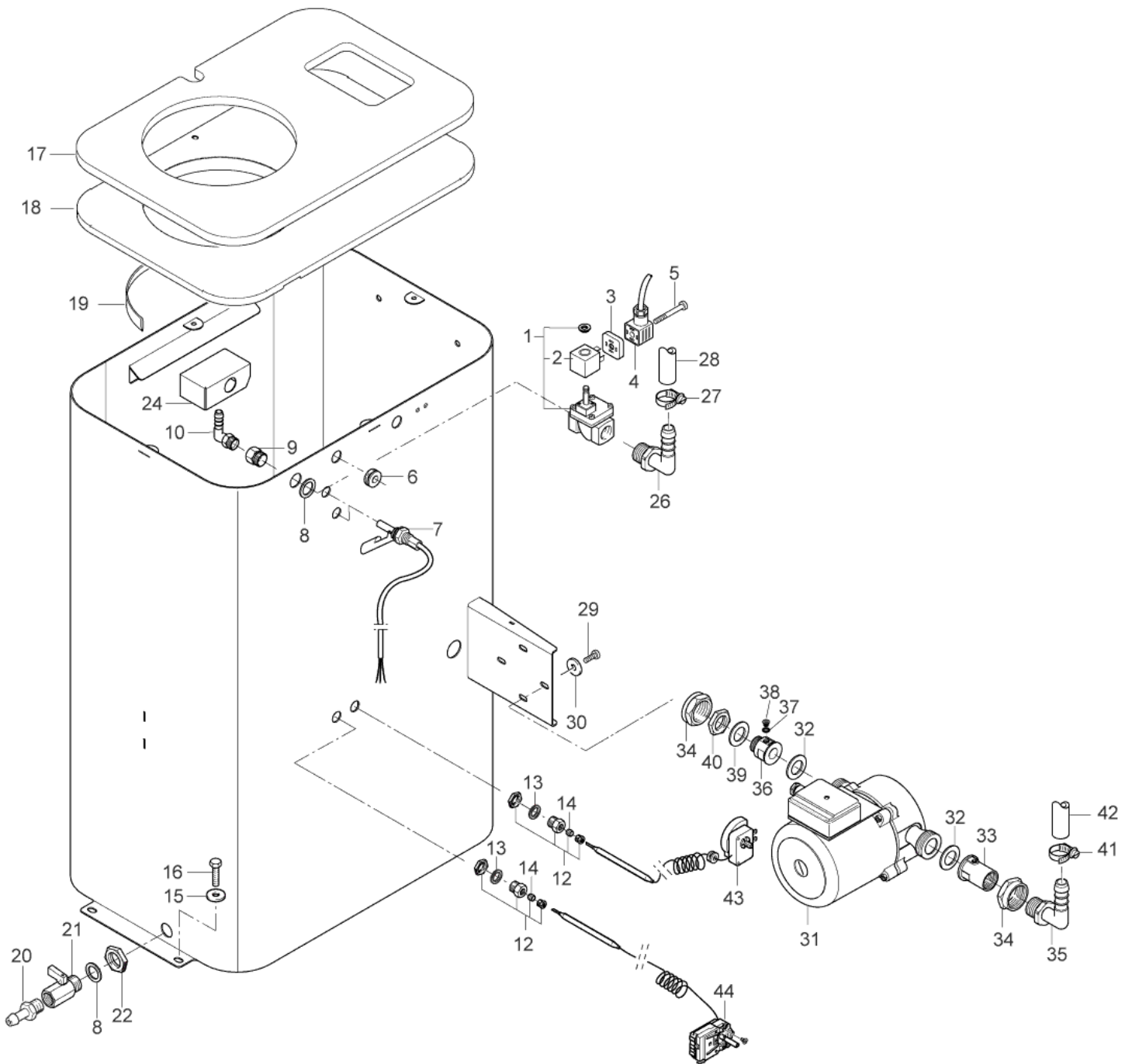
Heiztank -GH

SOLAR BOOSTER G, GH

21-01-2013

ET-Liste-Nr.
SOLARBGH08

45



Heiztank -GH

SOLAR BOOSTER G, GH

21-01-2013

ET-Liste-Nr.
SOLARBGH08

46

| Pos | Artikelnr. | Me | Beschreibung |
|-----|------------|----|---|
| 1 | 103821881 | 1 | Magnetventil G1/2 65L/min 1bar |
| 2 | 103821775 | 1 | Spule 24VDC 3W |
| 3 | 17767 | 1 | CW Dichtung für Magnetventil |
| 4 | 22708 | 1 | CW STECKER MAGNETV- 2500 MM |
| 5 | 17768 | 1 | CW Linsenschraube M3x25 H D |
| 6 | 5172 | 1 | CW Tülle GUMMI-DG 11 |
| 7 | 3817582 | 2 | Niveauekontakt LS 103-12 |
| 8 | 3449 | 2 | CW Dichtring 21,0x 30,0x 2 |
| 9 | 107312002 | 1 | Zwischenstück |
| 10 | 101609355 | 1 | Schlauchstutzen |
| 12 | 107318000 | 2 | Verschraubung |
| 13 | 1801075 | 2 | Dichtring Ø23,8xØ17,2x2 |
| 14 | 101609437 | 2 | Kegelring 8mm |
| 15 | 1801968 | 2 | Scheibe |
| 16 | 1810209 | 2 | SCREW HEX M10X20 A2 DIN6921 |
| 17 | 107315046 | 1 | Isolation |
| 18 | 107317043 | 1 | Abdeckung für Tank "GH" |
| 19 | 101406055 | 1 | Silikonprofil, 1m |
| 20 | 1600568 | 1 | SHL-Tülle ø12,5 1/2" |
| 21 | 3400819 | 1 | Balofix 1/2oe Hahn |
| 22 | 101609356 | 1 | Mutter |
| 24 | 107313340 | 1 | WATER INLET BOX SOLAR GH |
| 26 | 6300262 | 1 | Schlauchstutzen |
| 27 | 1810191 | 2 | Schlauchschele Ø14-27 |
| 28 | 5206230 | 1 | Schlauch Meterware ø16/Ø2 6 schw. 12bar |
| 29 | 1814706 | 4 | SCREW |
| 30 | 1813807 | 4 | Scheibe M6 |
| 31 | 107318067 | 1 | Förderpumpe 1x230 UP20- 45 N |
| 32 | 103821954 | 2 | Dichtung |
| 33 | 101609354 | 1 | Verschraubung |
| 34 | 101609357 | 2 | Überwurfmutter |
| 35 | 101609353 | 1 | Schlauchstutzen, Winkel |
| 36 | 107312000 | 1 | Zwischenstück |
| 37 | 1605 | 1 | Dichtring 10,0x 14,0x 1,5 DIN7603 A CU |
| 38 | 4443 | 1 | Shr Vers. G1/8 DIN 9 08 Zn |
| 39 | 2377 | 1 | CW Dichtring 27,0x 38,0x 2 |
| 40 | 1800341 | 1 | Gegenmutter 3/4" |
| 41 | 1810191 | 2 | Schlauchschele Ø14-27 |
| 42 | 5206230 | 1 | Schlauch Meterware ø16/Ø2 6 schw. 12bar |
| 43 | 103822046 | 1 | Sicherheitsthermostat 97°C (1750mm) (Alt 47358) |
| 44 | 107318153 | 1 | Thermostat 60-85 |

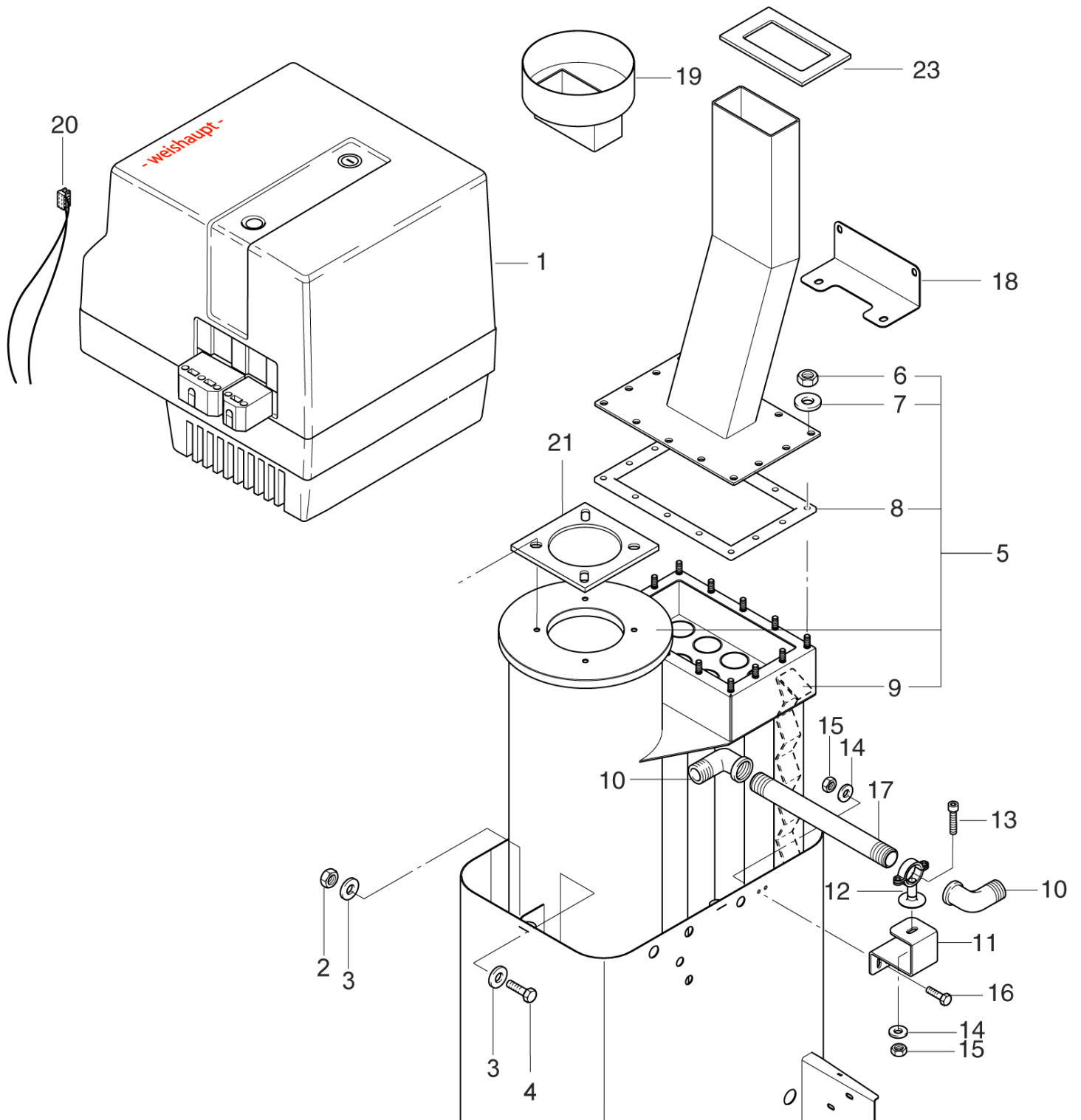
Gasbrenner -GH

SOLAR BOOSTER G, GH

21-01-2013

ET-Liste-Nr.
SOLARBGH10

47



Gasbrenner -GH

SOLAR BOOSTER G, GH

21-01-2013

ET-Liste-Nr.
SOLARBGH10

48

| Pos | Artikelnr. | Me | Beschreibung |
|-----|------------|----|--------------------------------------|
| 1 | 101406032 | 1 | GAS BRENNER |
| 2 | 1801905 | 1 | Mutter M8 |
| 3 | 1802917 | 1 | Scheibe M8 |
| 4 | 1802909 | 1 | Schraube M8X16 |
| 5 | 107315024 | 1 | Wärmetauscher SOLAR BOOSTER GH Set-1 |
| 6 | 20908 | 14 | CW Sechskantmutter M8 ISO 4032 VA |
| 7 | 14648 | 14 | CW Scheibe 8,4x1,6 ISO 7090 A2 |
| 8 | 15070 | 1 | Dichtung 6x280x175 |
| 9 | 45942 | 1 | Luftleitblech nicht mehr lieferbar |
| 10 | 1318 | 1 | ELBOW |
| 11 | 107315038 | 1 | SUPPORT |
| 12 | 101609360 | 1 | PIPE SUPPORT |
| 13 | 4809625 | 1 | SCREW M6X25 |
| 14 | 1813807 | 3 | Scheibe M6 |
| 15 | 1805399 | 3 | Mutter M6 DIN 985 A2 |
| 16 | 1803386 | 2 | SCREW M6X12 |
| 17 | 107317013 | 1 | TUBE FOR BOILER |
| 18 | 107315032 | 1 | FITTING |
| 19 | 301001089 | 1 | Abgasrohr D148x197 geschw VA1.4301 |
| 20 | 107318013 | 1 | Stecker für Res. Brenner m Kabel |
| 21 | 103004369 | 1 | Dichtung f. Gasbrenner SOLAR BOOSTER |
| 23 | 107317037 | 1 | Abdeckplatte f. Boiler |

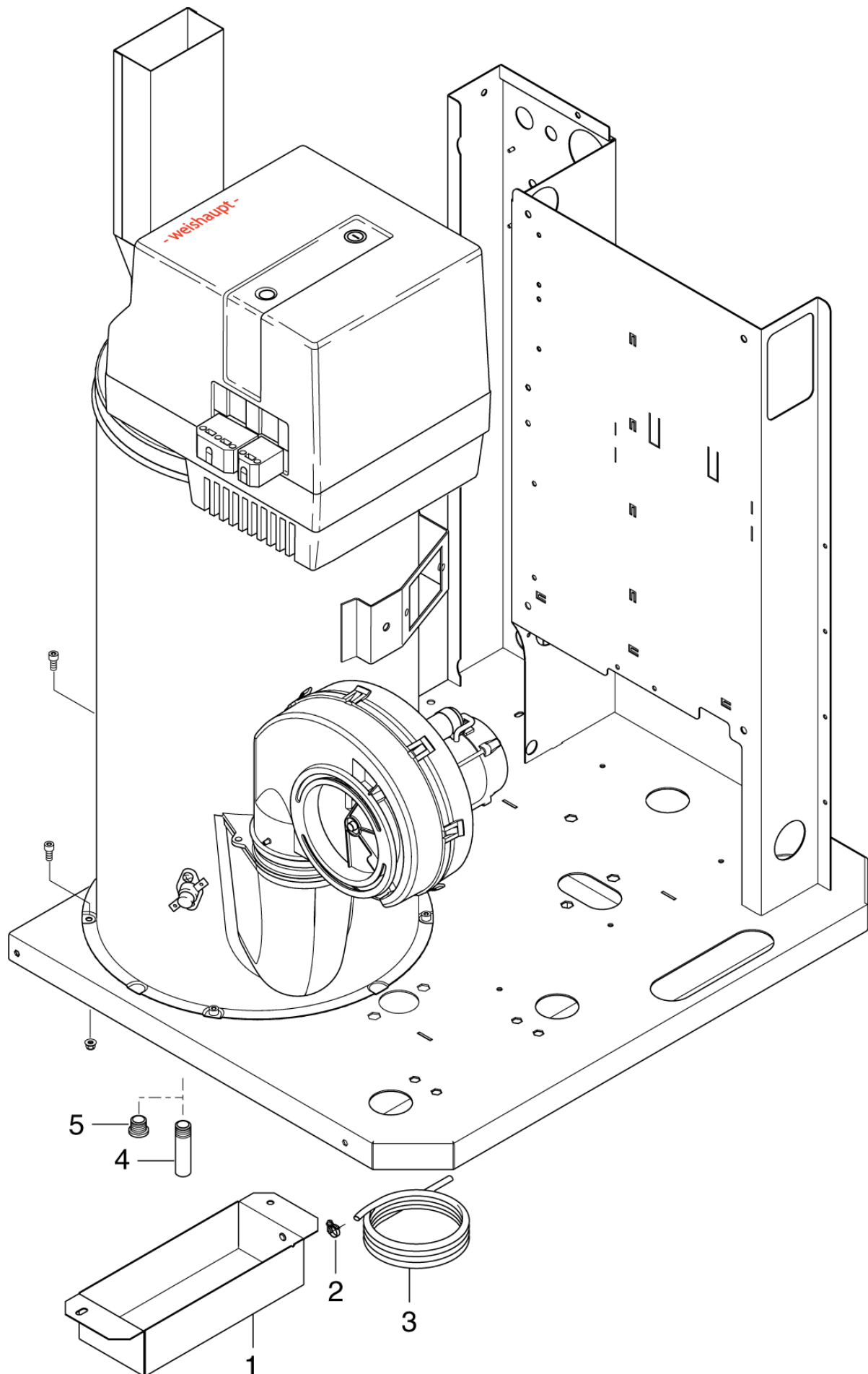
Kondensator -G

SOLAR BOOSTER G, GH

21-01-2013

ET-Liste-Nr.
SOLARBG36

49



Ersatzteile auf www.gluesing.net

Kondensator -G

SOLAR BOOSTER G, GH

21-01-2013

ET-Liste-Nr.
SOLARBG36

50

| Pos | Artikelnr. | Me | Beschreibung |
|-----|------------|----|---------------------------|
| - | 107317036 | 1 | Kondensatsammler SOLAR BO |
| 1 | 107317040 | 1 | COLLECTOR |
| 2 | 1807593 | 1 | Schelle 7-13 mm, Rostfrei |
| 3 | 107318160 | 1 | OIL/PETROL HOSE 3 METERS |
| 4 | 107317038 | 1 | DRAIN PIPE |
| 5 | 6200529 | 1 | Ablaßschabe |

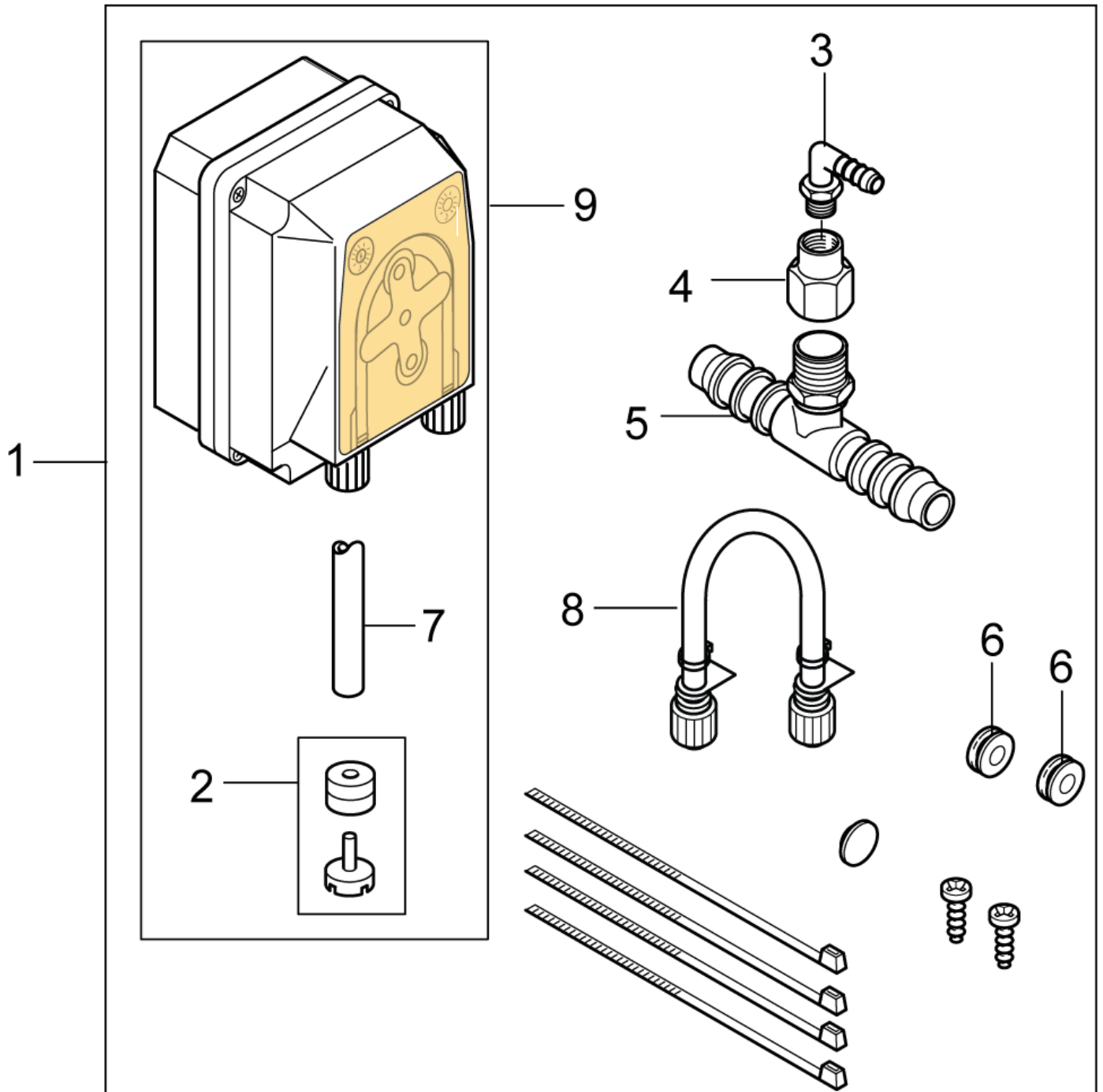
Detergent pump - upgrade kit

SOLAR BOOSTER G, GH

21-01-2013

ET-Liste-Nr.
SOLARBO20

51



Detergent pump - upgrade kit

SOLAR BOOSTER G, GH

21-01-2013

ET-Liste-Nr.
SOLARBO20

52

| Pos | Artikelnr. | Me | Beschreibung |
|-----|------------|----|---|
| 1 | 101118045 | 1 | Reparaturset für Reinigungsmittelpumpe TSB-PPW-2011-007 Detergent Pump in old models |
| 2 | 31000101 | 1 | Filter und Sicherung für Chemiepumpe |
| 3 | 107318136 | 1 | Schlauch Endrohr 4x1/4 |
| 4 | 107318134 | 1 | Reduzierstück 1/2x1/4 |
| 5 | 107318137 | 1 | T-Anschluss Ø14X1/2 |
| 6 | 5172 | 2 | CW Tülle GUMMI-DG 11 |
| 7 | 107318062 | 1 | Silikon Schlauch 5 Meter (Ers.f.5226306 MEWA) |
| 8 | 103822265 | 1 | Schlauch für Chemiepumpe |
| 9 | 103822206 | 1 | Chemiepumpe max. 13l |

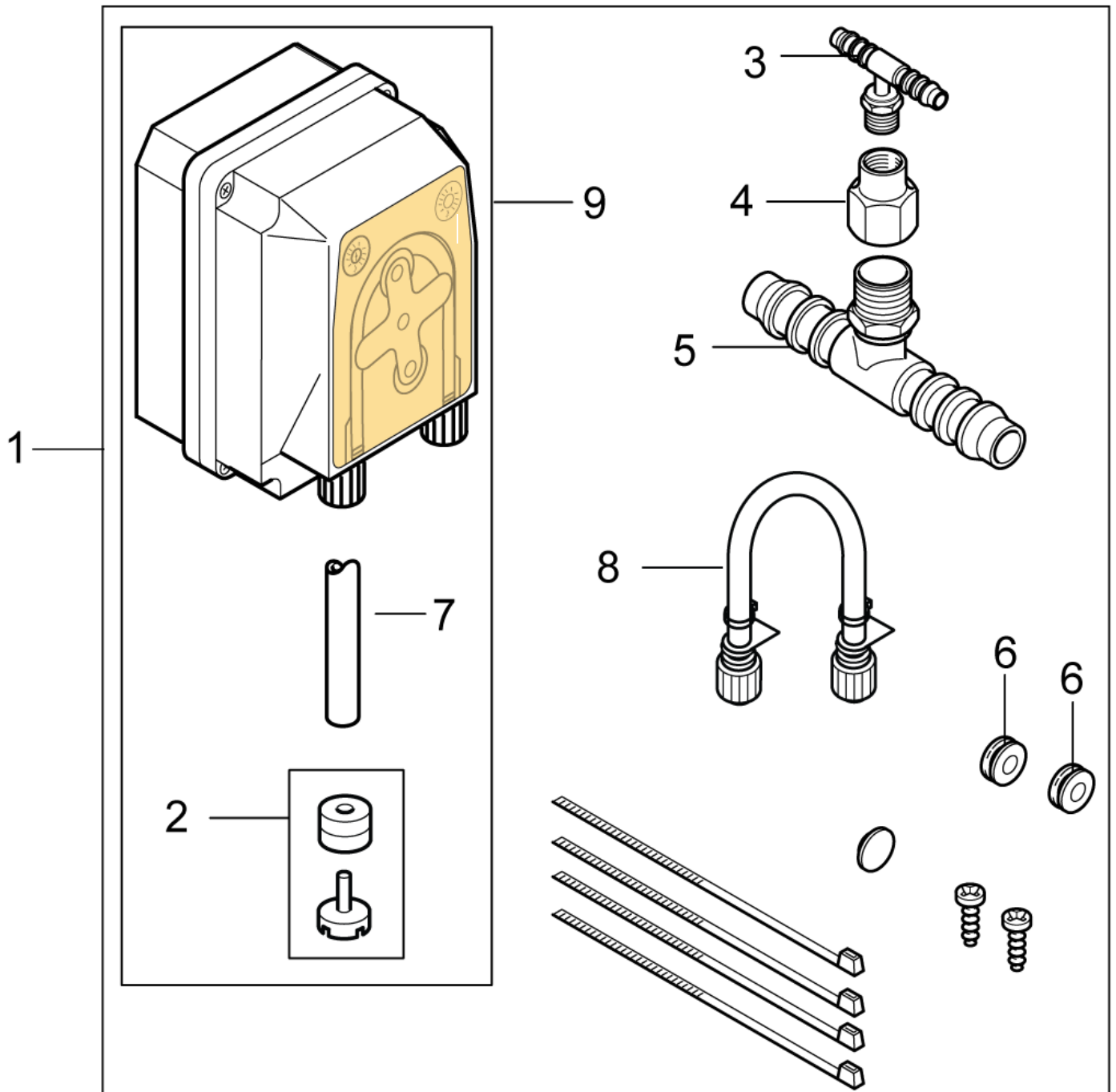
2xDetergent pump - upgrade kit

SOLAR BOOSTER G, GH

21-01-2013

ET-Liste-Nr.
SOLARBO22

53



2xDetergent pump - upgade kit

SOLAR BOOSTER G, GH

21-01-2013

ET-Liste-Nr.
SOLARBOZZ

54

| Pos | Artikelnr. | Me | Beschreibung |
|-----|------------|----|--|
| 1 | 101118046 | 2 | REPAIR KIT FOR 2X DETERGENT TSB-PPW-2011-007 Detergent Pump in old models |
| 2 | 31000101 | 2 | Filter und Sicherung für Chemiepumpe |
| 3 | 107318138 | 2 | T-Anschluss Ø4X1/4 |
| 4 | 107318134 | 2 | Reduzierstück 1/2x1/4 |
| 5 | 107318137 | 2 | T-Anschluss Ø14X1/2 |
| 6 | 5172 | 4 | CW Tülle GUMMI-DG 11 |
| 7 | 107318062 | 2 | Silikonschlauch 5 Meter (Ers.f.5226306 MEWA) |
| 8 | 103822265 | 2 | Schlauch für Chemiepumpe |
| 9 | 103822206 | 2 | Chemiepumpe max. 13l |

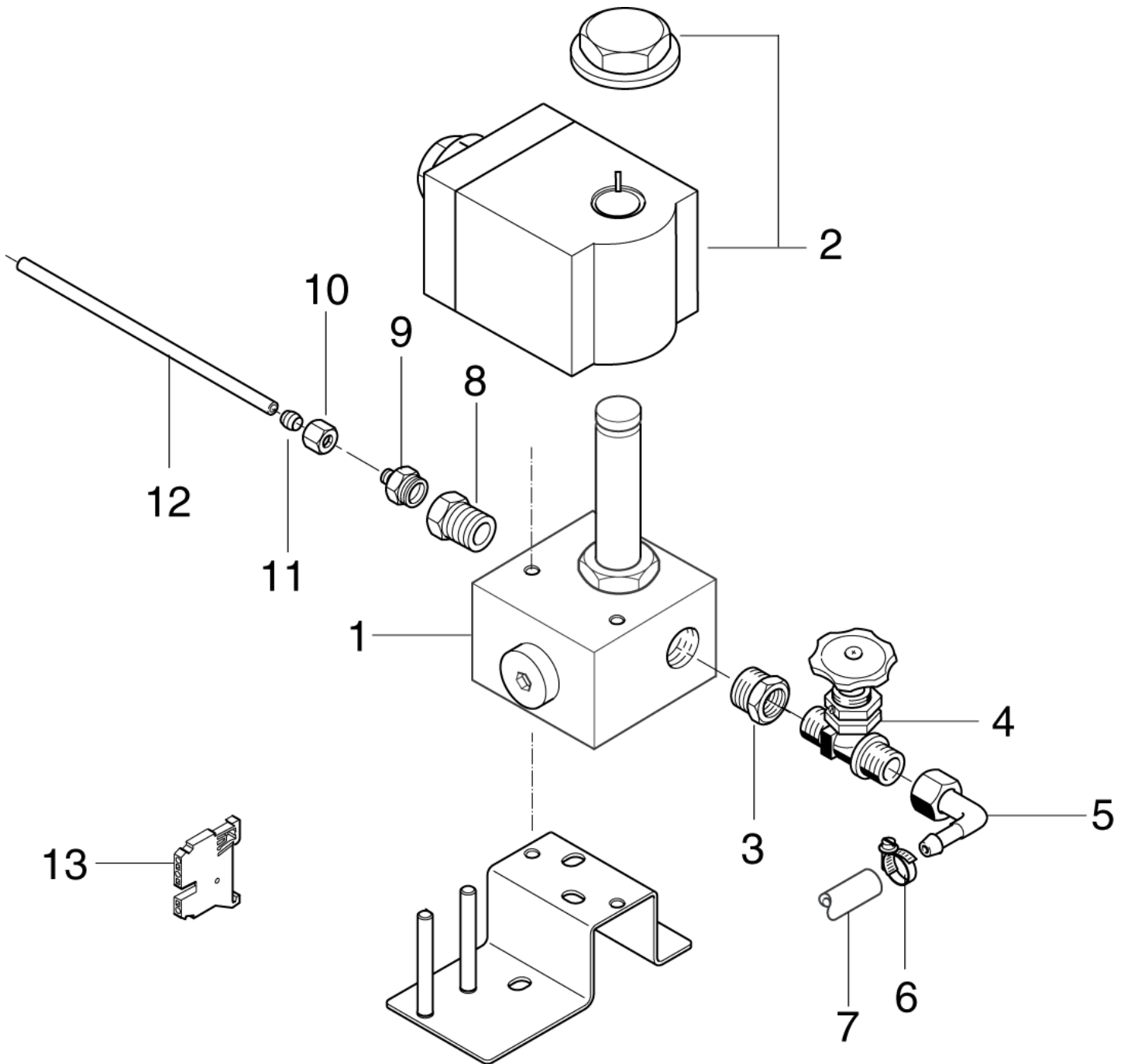
OPTION Flow reduction

SOLAR BOOSTER G, GH

21-01-2013

ET-Liste-Nr.
SOLARB36

55



OPTION Flow reduction

SOLAR BOOSTER G, GH

21-01-2013

ET-Liste-Nr.
SOLARB36

56

| Pos | Artikelnr. | Me | Beschreibung |
|-----|------------|----|---|
| 1 | 4800117 | 1 | Ventil ohne Spule |
| 2 | 4800151 | 1 | Spule |
| 3 | 54758 | 1 | CW Reduzierstück 3/8-1/4" 1541 MS-Blank |
| 4 | 103403269 | 1 | NEEDLE VALVE 1/4-1/4 FOR HP |
| 5 | 101609346 | 1 | Schlauchtülle ø 6 Mut G1 /4 Winkel |
| 6 | 1807593 | 2 | Schelle 7-13 mm, Rostfrei |
| 7 | 4973 | 1 | CW Schlauch ° 6x3,0 MeW |
| | | | PLEASE INDICATE LENGTHS IN METRES WHEN ORDERING |
| 8 | 101609361 | 1 | Nippel 3/8" x 1/8" |
| 9 | 1603422 | 1 | Versch. XGE 4L R1/4 St-Zn |
| 10 | 1603448 | 2 | Schneidring L 4 |
| 11 | 1603430 | 2 | Überwurfmutter L 4 |
| 12 | 2406479 | 1 | Kupferrohr |
| 13 | 103821920 | 3 | Reihenklemme |

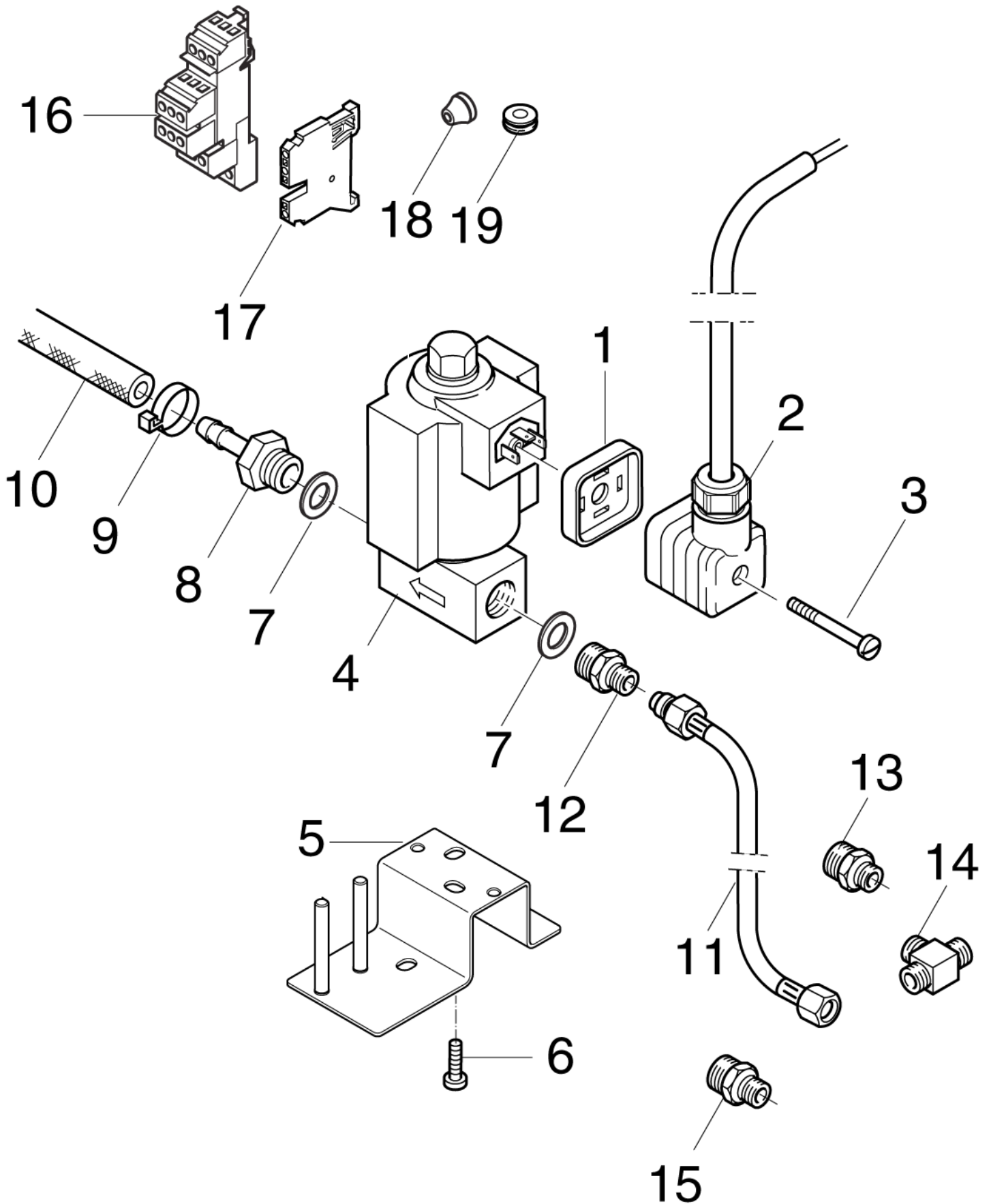
Druckreduzierung

SOLAR BOOSTER G, GH

21-01-2013

ET-Liste-Nr.
SOLARB38

57



Druckreduzierung

SOLAR BOOSTER G, GH

21-01-2013

ET-Liste-Nr.
SOLARB38

58

| Pos | Artikelnr. | Me | Beschreibung | |
|-----|------------|----|---------------------------------------|------------------|
| - | | 1 | Druckentlastung | |
| 1 | 17767 | 1 | CW Dichtung für Magnetventil | |
| 2 | 11693 | 1 | Magnetventilstecker Ltg 1500mm | |
| 3 | 17768 | 1 | CW Linsenschraube M3x25 H D | |
| 4 | 53730 | 1 | Magnetventil 180-G1/4-24V DC | |
| 5 | 107302160 | 1 | Magnetventil Abstützung | |
| 6 | 1804673 | 2 | SET SCREW M6X8 | |
| 7 | 1803493 | 2 | Dichtring ø20,57x ø13,7 x2 1/4" St/NB | |
| 8 | 1608512 | 1 | Schlauchstutzen 1/4" B5 | |
| 9 | 1807593 | 2 | Schelle 7-13 mm, Rostfrei | |
| 10 | 4973 | 1 | CW Schlauch ° 6x3,0 MeW | * SEE NOTE |
| 11 | 107318131 | 1 | Schlauch Hochdruck- reiniger DN2 1 M | |
| 12 | 1600410 | 1 | Verschraubung | |
| 13 | 107312045 | 1 | FITTING M8X6 | For pump 5 |
| 14 | 107318132 | 1 | T-CONNECTION | For pump 5 |
| 15 | 1821 | 1 | Verschraubung XGE 6LR1/8 | For pump 7 and 8 |
| 16 | 24401 | 1 | CW Dreistockklemme LNTP4 | |
| 17 | 103821920 | 1 | Reihenklamme | |
| 18 | 3803764 | 1 | Stopfbuchse TET 5-7C | |
| 19 | 3001427 | 1 | Kabeldurchführung | |

* NOTE: PLEASE INDICATE LENGTHS IN METRES WHEN ORDERING

Ersatzteile auf www.gluesing.net

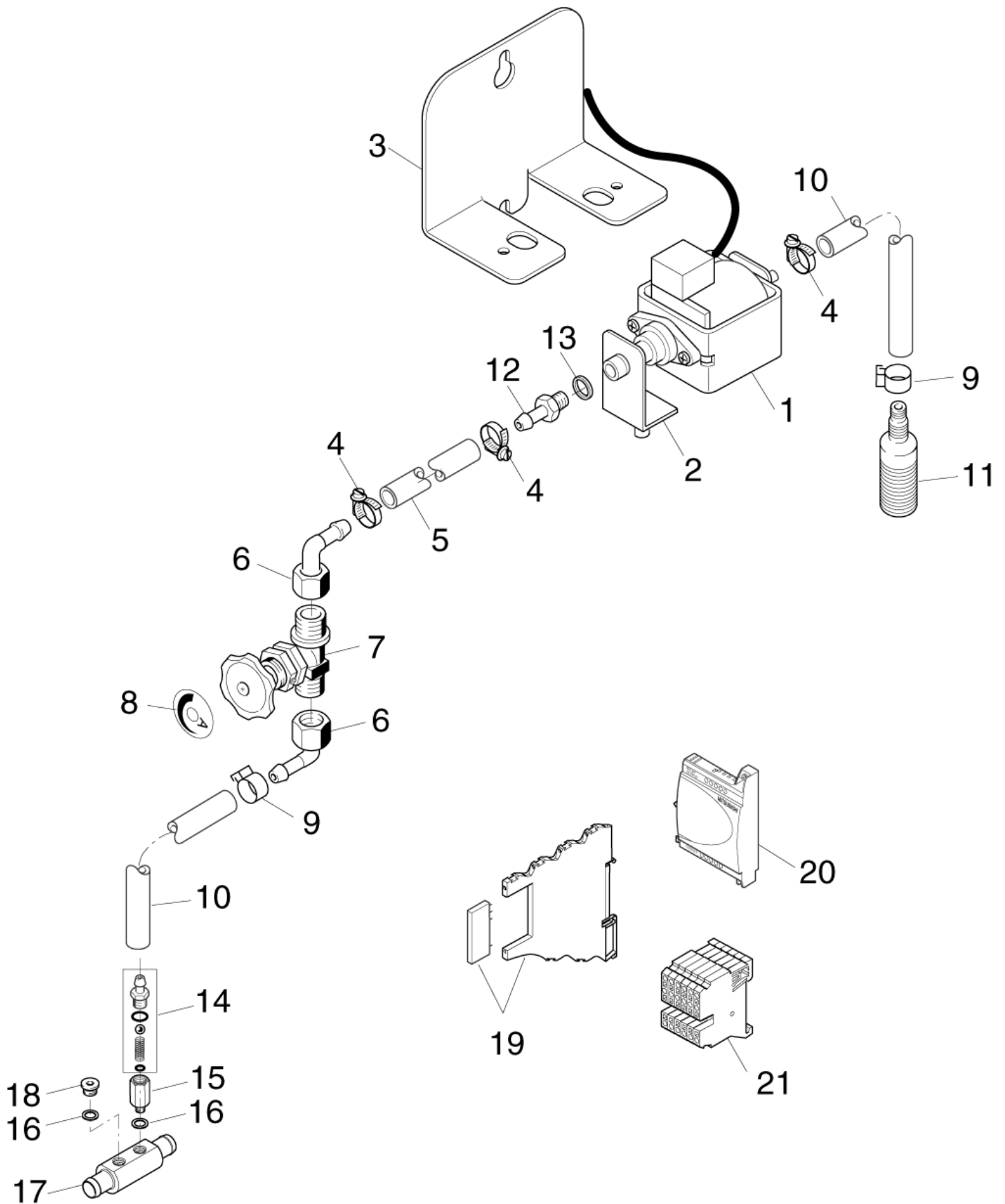
1 x Reinigungsmittel

SOLAR BOOSTER G, GH

21-01-2013

ET-Liste-Nr.
SOLARB40

59



Ersatzteile auf www.gluesing.net

1 x Reinigungsmittel

SOLAR BOOSTER G, GH

21-01-2013

ET-Liste-Nr.
SOLARB40

60

| Pos | Artikelnr. | Me | Beschreibung | |
|-----|------------|----|--|---|
| - | | 1 | Baugruppe 1x Chemie autom "SOLAR BOOSTER" | TSB-PPW-2011-007 |
| 1 | 107316070 | 1 | nicht mehr lieferbar Chemiepumpe mit Kabel MUL | TSB-PPW-2011-007 |
| 2 | 7090720 | 1 | PUMPENKONSOLE #20, MULTIV AC | |
| 3 | 107313047 | 2 | Träger für Pumpe R-<> P (Option) | |
| 4 | 1807593 | 2 | Schelle 7-13 mm, Rostfrei | |
| 5 | 4973 | 1 | CW Schlauch ° 6x3,0 MeW | PLEASE INDICATE LENGTHS IN METRES WHEN ORDERING |
| 6 | 101609346 | 1 | Schlauchtülle ø 6 Mut G1 /4 Winkel | |
| 7 | 103403268 | 1 | Dosierventil G1/4 - G1/4 mit Stellrad | |
| 8 | 12117 | 1 | Wap-Scheibe A | |
| 9 | 1810084 | 2 | Schlauchschele Ø10,8-12 ,3 | |
| 10 | 4973 | 1 | CW Schlauch ° 6x3,0 MeW | PLEASE INDICATE LENGTHS IN METRES WHEN ORDERING |
| 11 | 17508 | 1 | Fussventil | |
| 12 | 107318006 | 1 | Schlauchtülle ø6 x G1/8 | |
| 13 | 3004303 | 1 | O-Ring 6,07x 1,78 ARP AS 568 A NBR90 | |
| 14 | 1119406 | 1 | Reparatursatz Rueckschlag ventil | |
| 15 | 107318004 | 1 | Muffennippel | |
| 16 | 2838 | 2 | CW Dichtring 10,0x 14x 3 ,0 DIN | |
| 17 | 107318005 | 1 | Verteiler mit Schlauchtülle | |
| 18 | 6180660 | 1 | Pfropfen | |
| 19 | 103821828 | 1 | Relais 24V SNR | |
| 20 | 103821948 | 1 | Spreizstück AL2-4EYR | |
| 21 | 103821920 | 6 | Reihenklemme | |

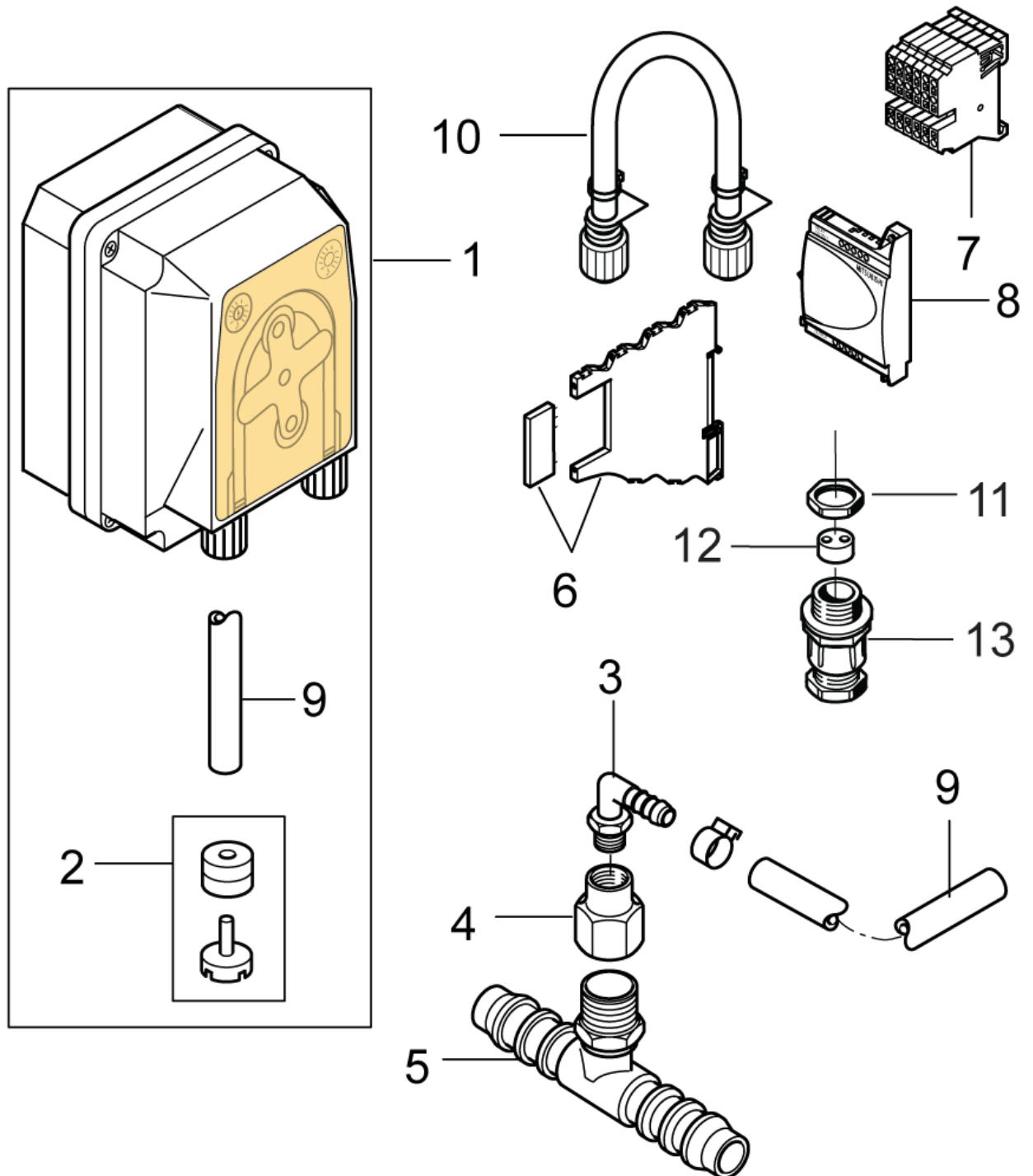
1 X Reinigungsmittel automatisch

SOLAR BOOSTER G, GH

21-01-2013

ET-Liste-Nr.
SOLARB50

61



1 X Reinigungsmittel automatisch

SOLAR BOOSTER G, GH

21-01-2013

ET-Liste-Nr.
SOLARB50

62

| Pos | Artikelnr. | Me | Beschreibung |
|-----|------------|----|--|
| 0 | | 1 | Baugruppe 1x Chemie autom "SOLAR BOOSTER" |
| 1 | 103822206 | 1 | Chemipumpe max. 13l |
| 2 | 31000101 | 1 | Filter und Sicherung für Chemiepumpe |
| 3 | 107318136 | 1 | Schlauch Endrohr 4x1/4 |
| 4 | 107318134 | 1 | Reduzierstück 1/2x1/4 |
| 5 | 107318137 | 1 | T-Anschluss Ø14X1/2 |
| 5 | 107318155 | 1 | T-HOSE CONNECTION D19X1/2XD19 BLUE PE Only on NP8 pumps |
| 6 | 103821828 | 1 | Relais 24V SNR |
| 7 | 103821920 | 6 | Reihenklemme |
| 8 | 103821948 | 1 | Spreizstück AL2-4EYR |
| 9 | 107318062 | 1 | Silikonschlauch 5 Meter (Ers.f.5226306 MEWA) |
| 10 | 103822265 | 1 | Schlauch für Chemiepumpe |
| 11 | 103821778 | 1 | NUT M20X1.5 |
| 12 | 103821946 | 1 | Einsatz 3x6,5 |
| 13 | 103821785 | 1 | Kabelverschraubung |

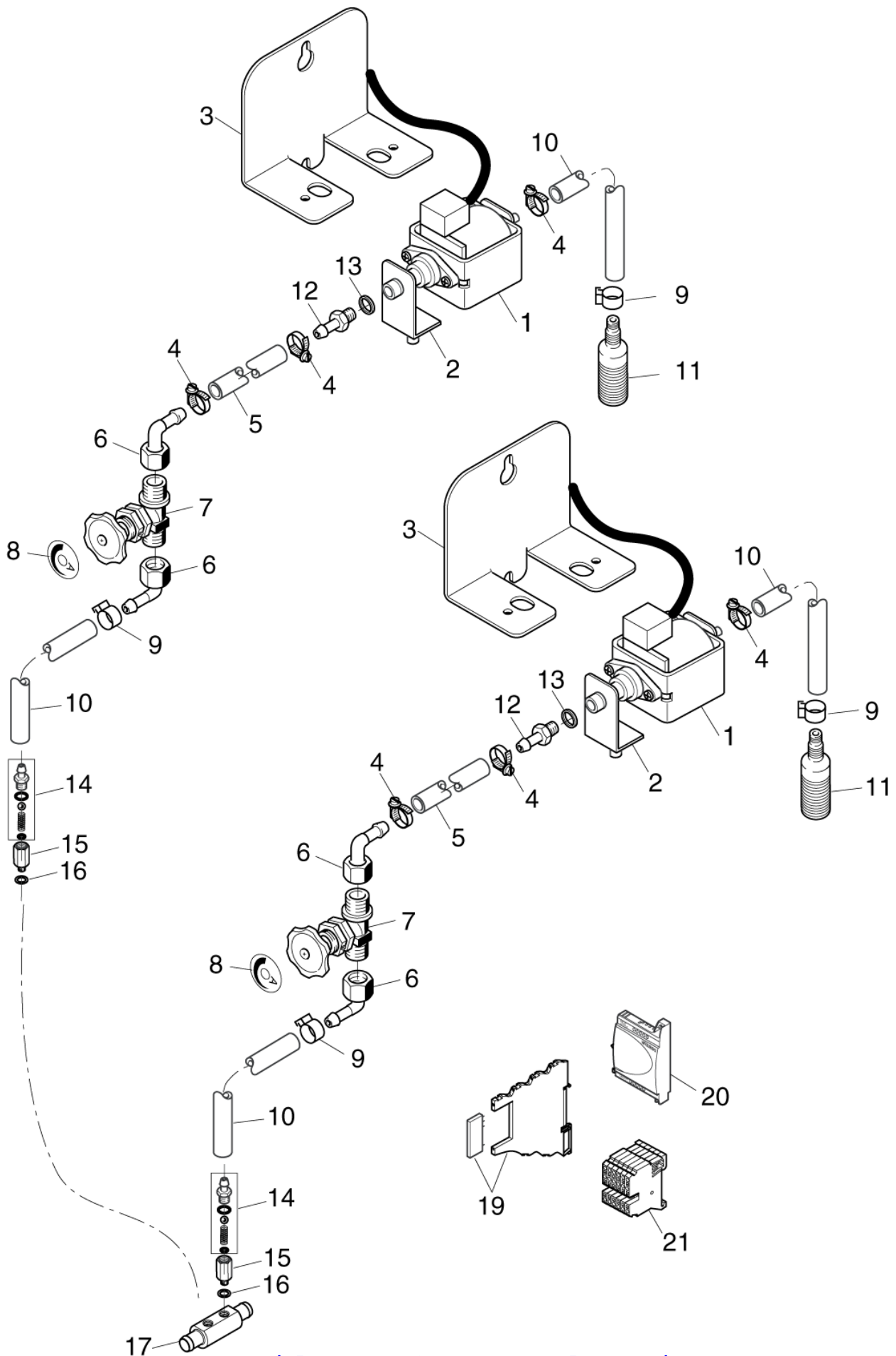
2 X Reinigungsmittel

SOLAR BOOSTER G, GH

21-01-2013

ET-Liste-Nr.
SOLARB42

63



Ersatzteile auf www.gluesing.net

2 X Reinigungsmittel

SOLAR BOOSTER G, GH

21-01-2013

ET-Liste-Nr.
SOLARB4Z

64

| Pos | Artikelnr. | Me | Beschreibung | |
|-----|------------|----|--|---|
| - | | 1 | Baugruppe 2x Chemie autom "SOLAR BOOSTER" | TSB-PPW-2011-007 |
| 1 | 107316070 | 2 | nicht mehr lieferbar Chemiepumpe mit Kabel MUL | |
| 2 | 7090720 | 2 | PUMPENKONSOLE #20, MULTIV AC | |
| 3 | 107313047 | 4 | Träger für Pumpe R-<> P (Option) | |
| 4 | 1807593 | 4 | Schelle 7-13 mm, Rostfrei | |
| 5 | 4973 | 2 | CW Schlauch ° 6x3,0 MeW | PLEASE INDICATE LENGTHS IN METRES WHEN ORDERING |
| 6 | 101609346 | 2 | Schlauchtülle ø 6 Mut G1 /4 Winkel | |
| 7 | 103403268 | 2 | Dosierventil G1/4 - G1/4 mit Stellrad | |
| 9 | 1810084 | 4 | Schlauschelle Ø10,8-12 ,3 | |
| 10 | 4973 | 2 | CW Schlauch ° 6x3,0 MeW | PLEASE INDICATE LENGTHS IN METRES WHEN ORDERING |
| 11 | 17508 | 2 | Fussventil | |
| 12 | 107318006 | 2 | Schlauchtülle ø6 x G1/8 | |
| 13 | 3004303 | 2 | O-Ring 6,07x 1,78 ARP AS 568 A NBR90 | |
| 14 | 1119406 | 2 | Reparatursatz Rueckschlag ventil | |
| 15 | 107318004 | 2 | Muffennippel | |
| 16 | 2838 | 2 | CW Dichtring 10,0x 14x 3,0 DIN | |
| 17 | 107318005 | 1 | Verteiler mit Schlauchtülle | |
| 19 | 103821828 | 1 | Relais 24V SNR | |
| 20 | 103821948 | 1 | Spreizstück AL2-4EYR | |
| 21 | 103821920 | 6 | Reihenklemme | |
| 8A | 12117 | 1 | Wap-Scheibe A | |
| 8B | 12116 | 1 | Wap-Scheibe B | |

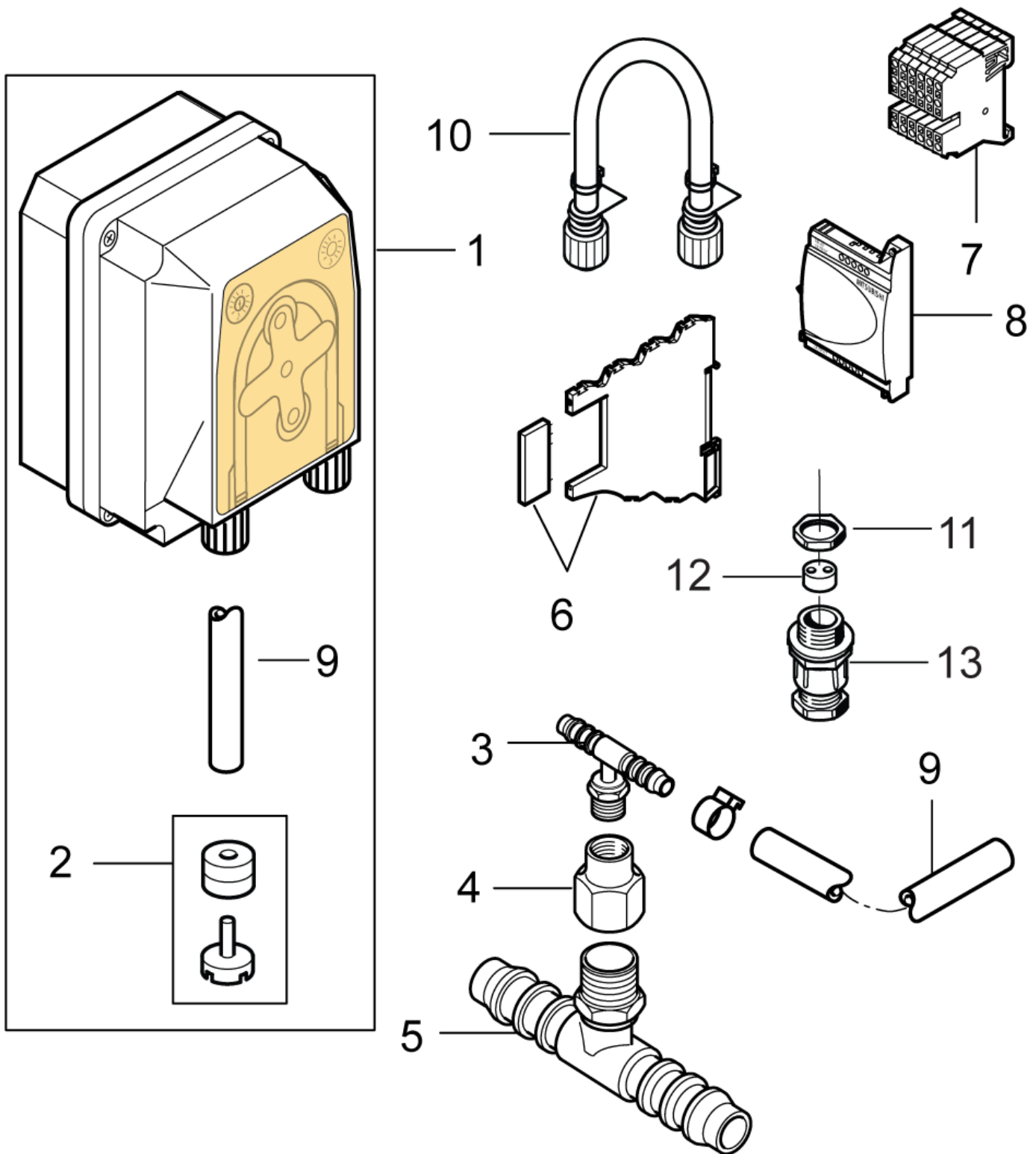
2 X Reinigungsmittel automatisch

SOLAR BOOSTER G, GH

21-01-2013

ET-Liste-Nr.
SOLARB52

65



2 X Reinigungsmittel automatisch

SOLAR BOOSTER G, GH

21-01-2013

ET-Liste-Nr.
SOLARB5Z

66

| Pos | Artikelnr. | Me | Beschreibung |
|-----|------------|----|--|
| 0 | | 1 | Baugruppe 2x Chemie autom "SOLAR BOOSTER" |
| 1 | 103822206 | 1 | Chemipumpe max. 13l |
| 2 | 31000101 | 1 | Filter und Sicherung für Chemiepumpe |
| 3 | 107318138 | 1 | T-Anschluss Ø4X1/4 |
| 4 | 107318134 | 1 | Reduzierstück 1/2x1/4 |
| 5 | 107318137 | 1 | T-Anschluss Ø14X1/2 |
| 5 | 107318155 | 1 | T-HOSE CONNECTION D19X1/2XD19 BLUE PE Only on NP8 pumps |
| 6 | 103821828 | 1 | Relais 24V SNR |
| 7 | 103821920 | 6 | Reihenklemme |
| 8 | 103821948 | 1 | Spreizstück AL2-4EYR |
| 9 | 107318062 | 1 | Silikonschlauch 5 Meter (Ers.f.5226306 MEWA) |
| 10 | 103822265 | 1 | Schlauch für Chemiepumpe |
| 11 | 103821778 | 1 | NUT M20X1.5 |
| 12 | 103821946 | 1 | Einsatz 3x6,5 |
| 13 | 103821785 | 1 | Kabelverschraubung |

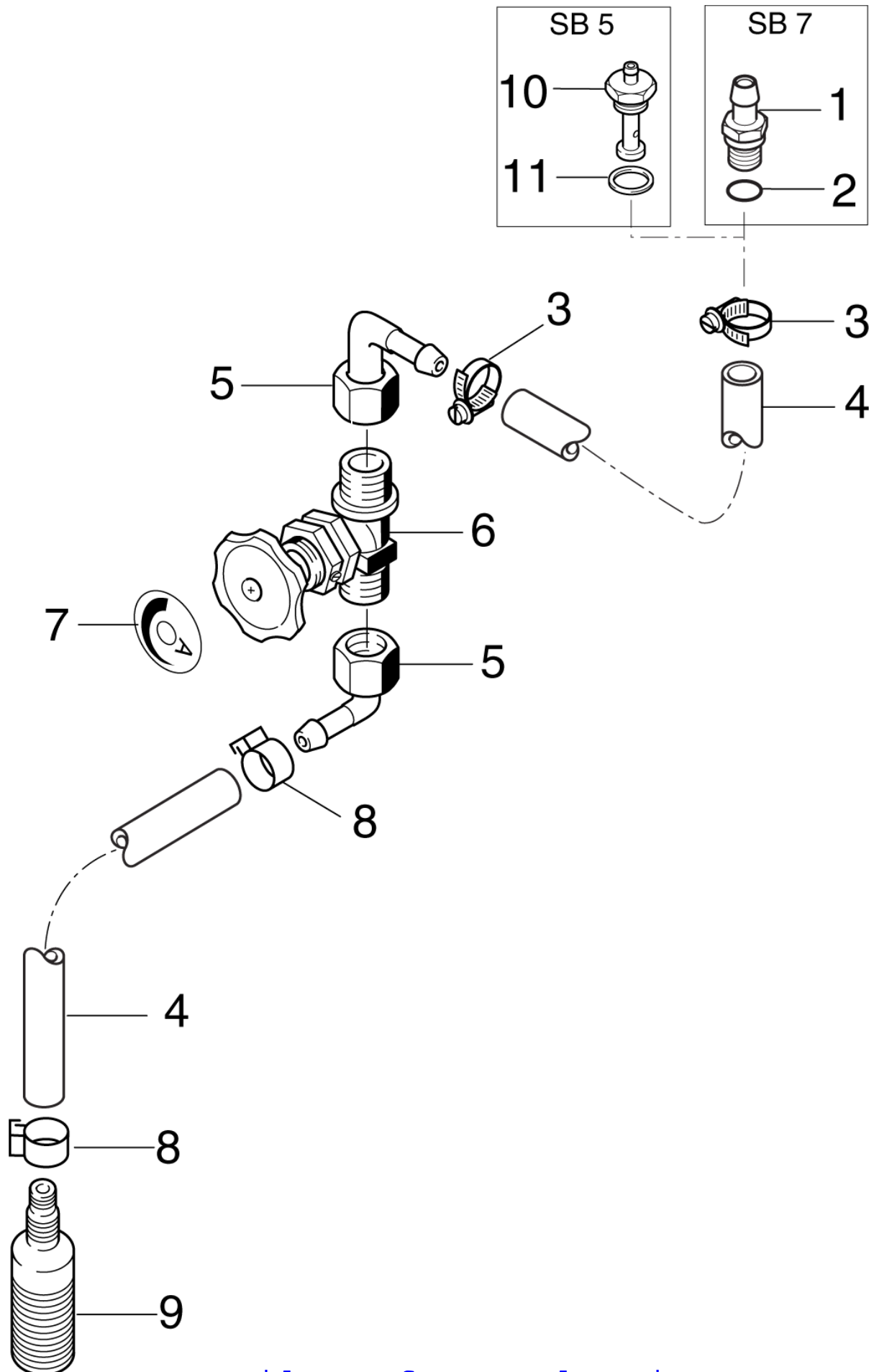
1 X Reinigungsmittel manuell

SOLAR BOOSTER G, GH

21-01-2013

ET-Liste-Nr.
SOLARB44

67



Ersatzteile auf www.gluesing.net

1 X Reinigungsmittel manuell

SOLAR BOOSTER G, GH

21-01-2013

ET-Liste-Nr.
SOLARB44

68

| Pos | Artikelnr. | Me | Beschreibung |
|-----|------------|----|---|
| - | | 1 | Anbaugruppe 1xChemie manuell UNO-BOOSTER |
| 1 | 1609300 | 1 | Schlauchstutzen (SOLAR 7) |
| 2 | 3001740 | 1 | O-Ring Ø7,66x1,78 (SOLAR 7) |
| 3 | 1807593 | 2 | Schelle 7-13 mm, Rostfrei |
| 4 | 4973 | 1 | CW Schlauch ° 6x3,0 MeW PLEASE INDICATE LENGTHS IN METRES WHEN ORDERING |
| 5 | 101609346 | 1 | Schlauchtülle ø 6 Mut G1 /4 Winkel |
| 6 | 103403268 | 1 | Dosierventil G1/4 - G1/4 mit Stellrad |
| 7 | 12117 | 1 | Wap-Scheibe A |
| 8 | 1810084 | 2 | Schlauschelle Ø10,8-12 ,3 |
| 9 | 17508 | 1 | Fussventil |
| 10 | 301002405 | 1 | Hohlschraube G1/2X15.9X70 |
| 11 | 5127 | 1 | Dichtring Ø21x26 |

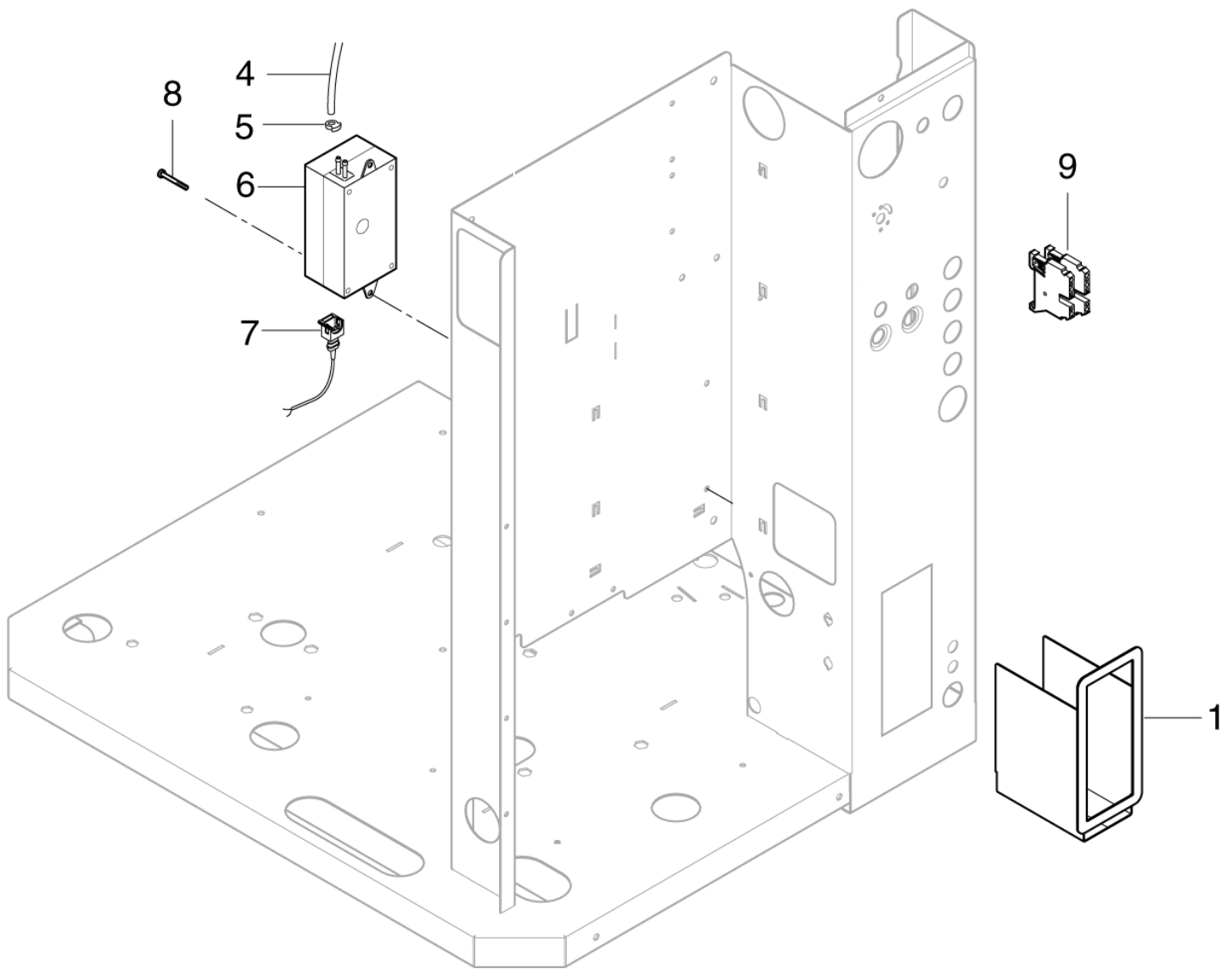
Anti-Kalk

SOLAR BOOSTER G, GH

21-01-2013

ET-Liste-Nr.
SOLARB46

69



Anti-Kalk

SOLAR BOOSTER G, GH

21-01-2013

ET-Liste-Nr.
SOLARB46

70

| Pos | Artikelnr. | Me | Beschreibung |
|-----|------------|----|---|
| - | | 1 | Kalkschutz-Einheit "SOLAR BOOSTER" |
| 1 | 107318104 | 1 | BRACKET FOR NO-SCALE |
| 4 | 5226147 | 1 | Schlauch Ø4 / Ø7,2 klar MEWA PVC * SEE NOTE |
| 5 | 1814151 | 1 | Schlauchselle ø7,8-8,7x 3,8 POM |
| 6 | 3821492 | 1 | KS-Pumpe ST 15 24V |
| 7 | 4812338 | 1 | Leitung 1200mm mit Stecke r |
| 8 | 1800606 | 2 | SCREW CROSS M4X10 FZB DIN7985 |
| 9 | 103821920 | 2 | Reihenklemme |

* NOTE: PLEASE INDICATE LENGTHS IN METRES WHEN ORDERING

Ersatzteile auf www.gluesing.net

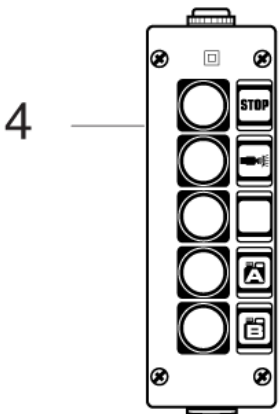
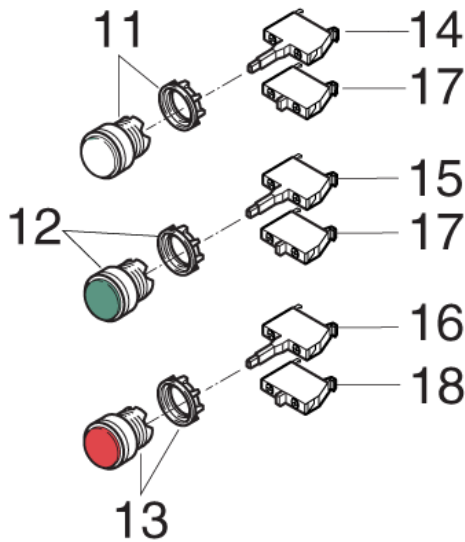
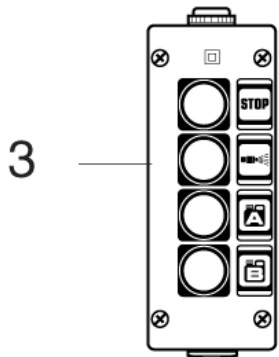
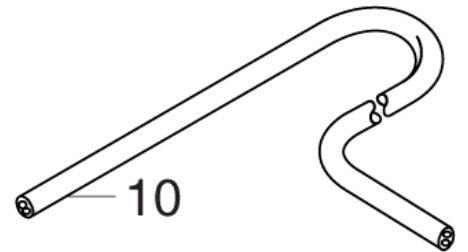
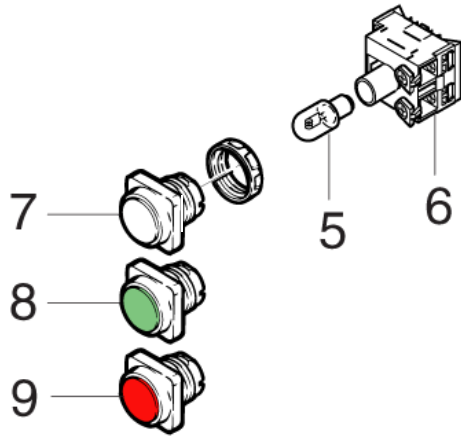
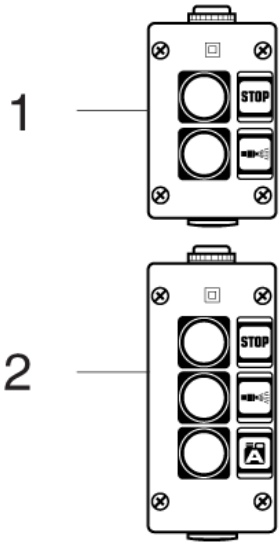
Fernsteuerung

SOLAR BOOSTER G, GH

21-01-2013

ET-Liste-Nr.
SOLARB48

71



Fernsteuerung

SOLAR BOOSTER G, GH

21-01-2013

ET-Liste-Nr.
SOLARB48

72

| Pos | Artikelnr. | Me | Beschreibung | |
|-----|------------|----|--|------------------------|
| 1 | 107340911 | 1 | Fernbedienung 2Funktionen BOOSTER | |
| 2 | 107340912 | 1 | Fernbedienung 3Funktionen BOOSTER | |
| 3 | 107340913 | 1 | Fernbedienung 4Funktionen BOOSTER | |
| 4 | 107340914 | 1 | Fernbedienung 5Funktionen BOOSTER | |
| 5 | 41548 | 1 | Gluehlampe 28V | UP TO 2004.05.11 |
| 6 | 11958 | 1 | n. m. lieferbar nicht mehr lieferbar | UP TO 2004.05.11 |
| 10 | 17388 | 1 | CW LTG STE.MEWA 7X0,75SYS L-JZ | 2 buttons - * SEE NOTE |
| 10 | 24429 | 1 | Leitung PVC Mewa18x0,75 | 5 buttons - * SEE NOTE |
| 10 | 41518 | 1 | LTG PVC MEWA12X0,75 | 4 buttons - * SEE NOTE |
| 10 | 5713 | 1 | CW LTG STE.MEWA 9X0,75SYS L-JZ | 3 buttons - * SEE NOTE |
| 11 | 103822004 | 1 | Leuchttastervorsatz weiss | FROM 2004.05.11 |
| 12 | 103821823 | 1 | Leuchttaster Vorsatz grün | FROM 2004.05.11 |
| 13 | 103821824 | 1 | Leuchttaster Vorsatz rot | FROM 2004.05.11 |
| 14 | 103821999 | 1 | Leuchttasteransatz weis ZAL-VB4 | FROM 2004.05.11 |
| 15 | 103822000 | 1 | Leuchttasteransatz grün ZAL-VB3 | FROM 2004.05.11 |
| 16 | 103822001 | 1 | Leuchttasteransatz ZAL-VB1, rot | FROM 2004.05.11 |
| 17 | 103822003 | 1 | Kontaktblock NC 1-2 für Leuchttaster | FROM 2004.05.11 |
| 18 | 103822002 | 1 | Reihenklemme NO 3-4 | FROM 2004.05.11 |
| 19 | 301001396 | 1 | Klebeschild "Symbole für Fernbedienung" PC | |

* NOTE: PLEASE INDICATE LENGTHS IN METRES WHEN ORDERING

Ersatzteile auf www.gluesing.net

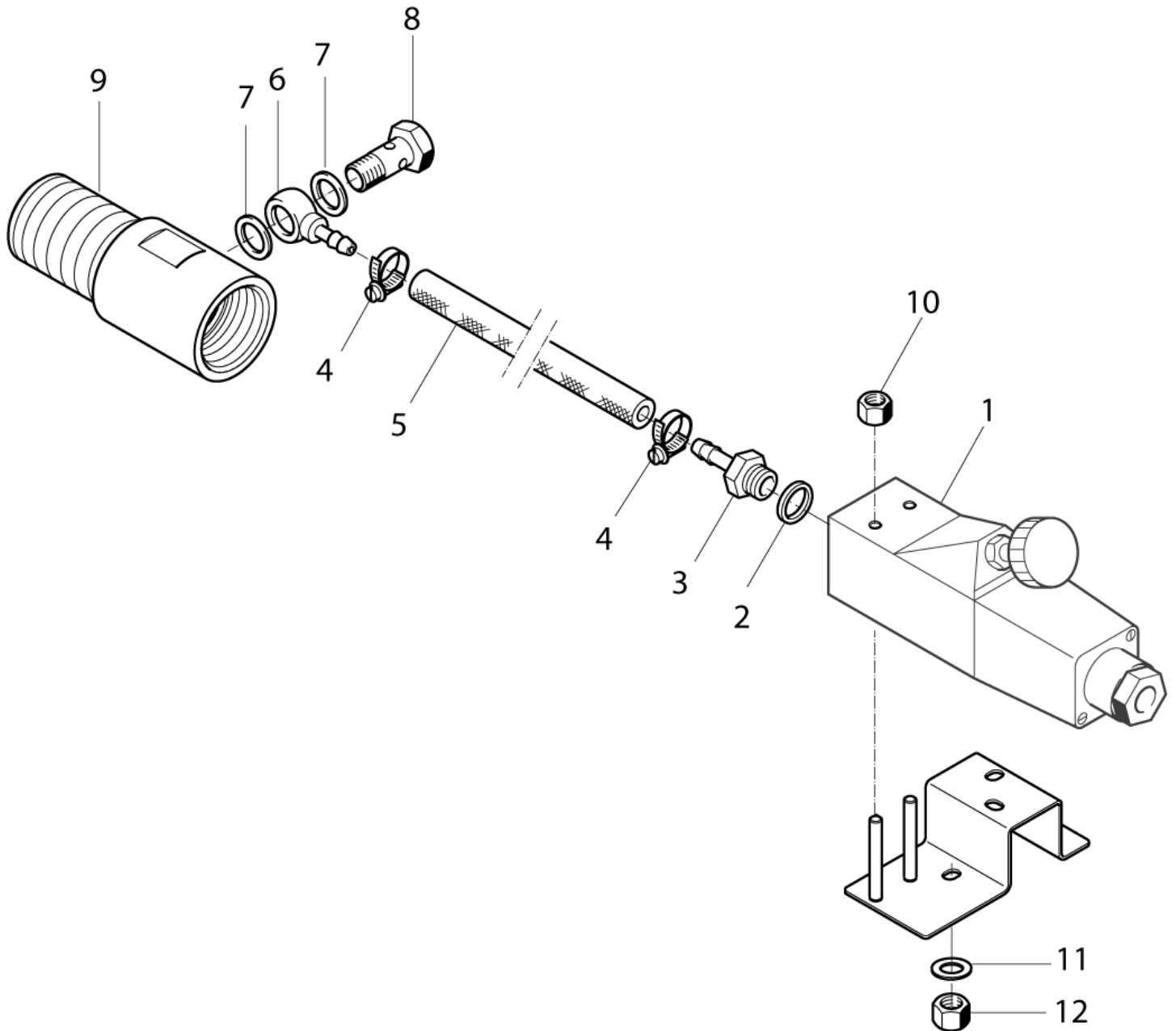
OPTION Low water cut-off

SOLAR BOOSTER G, GH

21-01-2013

ET-Liste-Nr.
UNODUOB22

73



OPTION Low water cut-off

SOLAR BOOSTER G, GH

21-01-2013

ET-Liste-Nr.
UNODUOBZZ

74

| Pos | Artikelnr. | Me | Beschreibung |
|-----|------------|----|------------------------------------|
| 1 | 4852 | 1 | DRUCKSCH.0,2- 2 BAR |
| 2 | 11340 | 1 | DICHTRG. 13,5X18 A7603 CU |
| 3 | 1608512 | 1 | Schlauchstutzen 1/4" B5 |
| 4 | 1807593 | 2 | Schelle 7-13 mm, Rostfrei |
| 5 | 4973 | 1 | CW Schlauch ° 6x3,0 MeW * SEE NOTE |
| 6 | 4970 | 1 | Ringtuelle DN6 D10 Z |
| 7 | 2838 | 2 | CW Dichtring 10,0x 14x 3 ,0 DIN |
| 8 | 17190 | 1 | SHR HOHL- R1/8 X27 VA |
| 9 | 107302162 | 1 | FILTER HOUSING |
| 10 | 1804285 | 2 | Sechskantmutter M5 |
| 11 | 1813807 | 2 | Scheibe M6 |
| 12 | 1805399 | 2 | Mutter M6 DIN 985 A2 |

* NOTE: PLEASE INDICATE LENGTHS IN METRES WHEN ORDERING

Ersatzteile auf www.gluesing.net