

IMAGE 16, IMAGE 20 230V

Model:
IMAGE 16
IMAGE 20



Part List US-English

08-12-2012

Nilfisk
ALTO
works for you

www.nilfisk-alto.com

Ersatzteile auf www.gluesing.net

Table of Contents

IMAGE 16, IMAGE 20 230V

Accessories	3
Final assembly IMAGE 16	5
Final assembly IMAGE 20	8
Recovery tank IMAGE 16	11
Recovery tank IMAGE 20	13
Brush housing IMAGE 16	15
Brush housing IMAGE 20	17
Electric parts IMAGE 16I	19
Electric parts IMAGE 16IX	21
Electric parts IMAGE 20I	23
Electric parts IMAGE 20IX	25
Recovery shoe IMAGE 16	27
Recovery shoe IMAGE 20	29
Valve ass. IMAGE 16	31
Valve ass. IMAGE20	33
Pump IMAGE 16	35
Pump IMAGE 20	37
Motor IMAGE 16	39
Motor IMAGE 20	41

Accessories

IMAGE 16, IMAGE 20 230V

08-12-2012

Part List ID
IMAGE1602

4

Pos	Part no.	Qty	Description	
1	56220109	1	HAND TOOL	
2	59230A	1	TOOLFLOOR WANDPLASTIC 8	
3	59228A	1	TOOLHAND 4 METAL	
4	59229A	1	TOOLFLOOR METAL 12	
5	398426	1	CLARKCARE CASE 4 GAL D/F	*12, 1 QUART BOTTLES
6	398425	1	CLARKARE CONC CASE 4 GAL	*12, 1 QUART BOTTLES

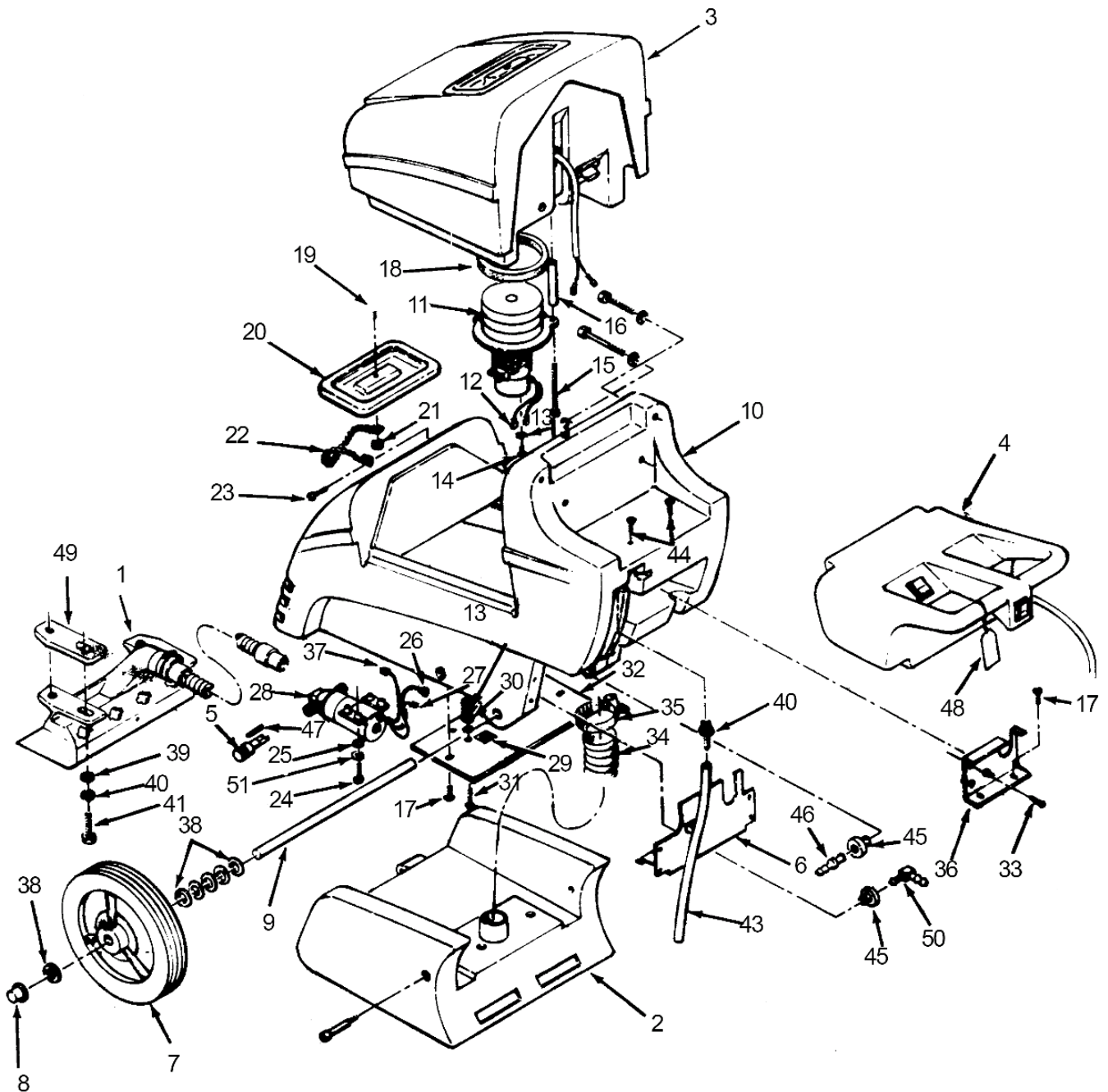
Final assembly IMAGE 16

IMAGE 16, IMAGE 20 230V

08-12-2012

Part List ID
IMAGE1604

5



Final assembly IMAGE 16

IMAGE 16, IMAGE 20 230V

08-12-2012

Part List ID
IMAGE16U4

6

Pos	Part no.	Qty	Description	
1		1	NOTE COMMENT	ASM., RECOVERY SHOE 230V
2		1	NOTE COMMENT	ASM., BRUSH HOUSING
3		1	NOTE COMMENT	ASM., RECOVERY TANK
4		1	NOTE COMMENT	ASM., ELECTRICAL PANEL
5	912201	1	FUSE HOLDER 115V	
6		1	NOTE COMMENT	ASM., VALVE SUPPORT
7	59947A	2	WHEEL 10 X 1.75 X .50 BORE	
8	920346	2	PALNUT PW500015 TYPE W	
9	67463A	1	SHAFT .50 O.D. X 16.8 PLTD	
10	30282A	1	TANKSOL IMAGE 16/20 ALTO	(INCL. # S45, 46, 50)
11	44914A	1	MOTORVAC 3 STAGE230VEXT 77	
12	47708A	2	TERMINAL 1/4 FIMQD 22 18 GA.	
13	980603	3	WASHER LK 10 EXT TOOTHPLTD	
14	962546	1	SCR 10 24X 1/2 PN ST TYP23	
15	85736A	3	SCREW1/4 20 X 3 3/4 HEX HD SZ	
16	58533A	3	SPACER VAC MOTOR 3 STG. SUMMI	
17	84237A	4	SCREW 10 32 X 1/2 PAN HD SS	
18	643418	1	GASKET	
19	962798	1	SCR 10 24X 1/2 PN SS	
20	832322	1	COVER SOL TANK	
21	81110A	1	NUT HEX ELASTIC LOCK 10 24 S.S	
22	692409	1	CHAIN COVER 925A	
23	85519A	1	SCR 1/4 20X 3/8 PN SY TC F	
24	962113	4	SCR 10 32X1 RD ST MACH	
25	980982	4	WASHER 10 SAE FLAT PLTD	
26	911933	1	TERMINALRING 10 16 14 GAUGE	
27	47708A	1	TERMINAL 1/4 FIMQD 22 18 GA.	
28	45929A	1	PUMP 100 PSI BYPASS 230V	
29	77094A	1	LABEL GROUND SYMBOL	
30	920224	2	NUT 10X32 HEX	
31	85383A	1	SCREW 10 32 X 3/4 PAN HD	
32	68779A	1	COVER WLDMTLOWER PNTD IMG 16	
33	85395A	1	SCREW 1/4 20 X 1/2 PAN HD SS	
34	674110	1	HOSE	
35	872010	2	CLAMP HOSE	
36		1	NOTE COMMENT	ASM.,PLATE, REAR COVER
37	41069B	1	RELAY 24VDC MINI ISO	
38	87607A	12	WASHER FLT 1.25X.52X.06 NYLON	
39	980651	4	WASHER 5/16 SAE FLAT	
40	980652	4	WASHER LK 5/16 REGPLTD	
41	85813A	4	SCREW 5/16 18 X 1 HX HD	
42	53619A	1	ADAPTOR 3/8 BARB X 1/4 NPT NYL	
43	59322A	1	TUBINGCLEAR VINYL 3/8IDX1/2OD	

Final assembly IMAGE 16

IMAGE 16, IMAGE 20 230V

08-12-2012

Part List ID
IMAGE1604

7

Pos	Part no.	Qty	Description
44	171112	2	SCREW 1/4 20 X 3/4
45	51518A	2	BUSHING HOSE CONNECTOR
46	52414A	1	HOSEBARB 3/8 STRAIGHT
47	42910A	1	FUSE 0.8 AMP 250V SLO BLOW
48	699203	1	TAG CAUTION
49	67897A	2	SPACERRECOVERY TOOL IMAGE 16
50	51526A	1	HOSEBARB 3/8 X 90 DEG
51	980650	4	WASH .19 x .34 x .04 LOCK
NI	14656A	1	LITERATURE KIT IMAGE 16/230V
NI	699202	6	TIE WIRE 935A

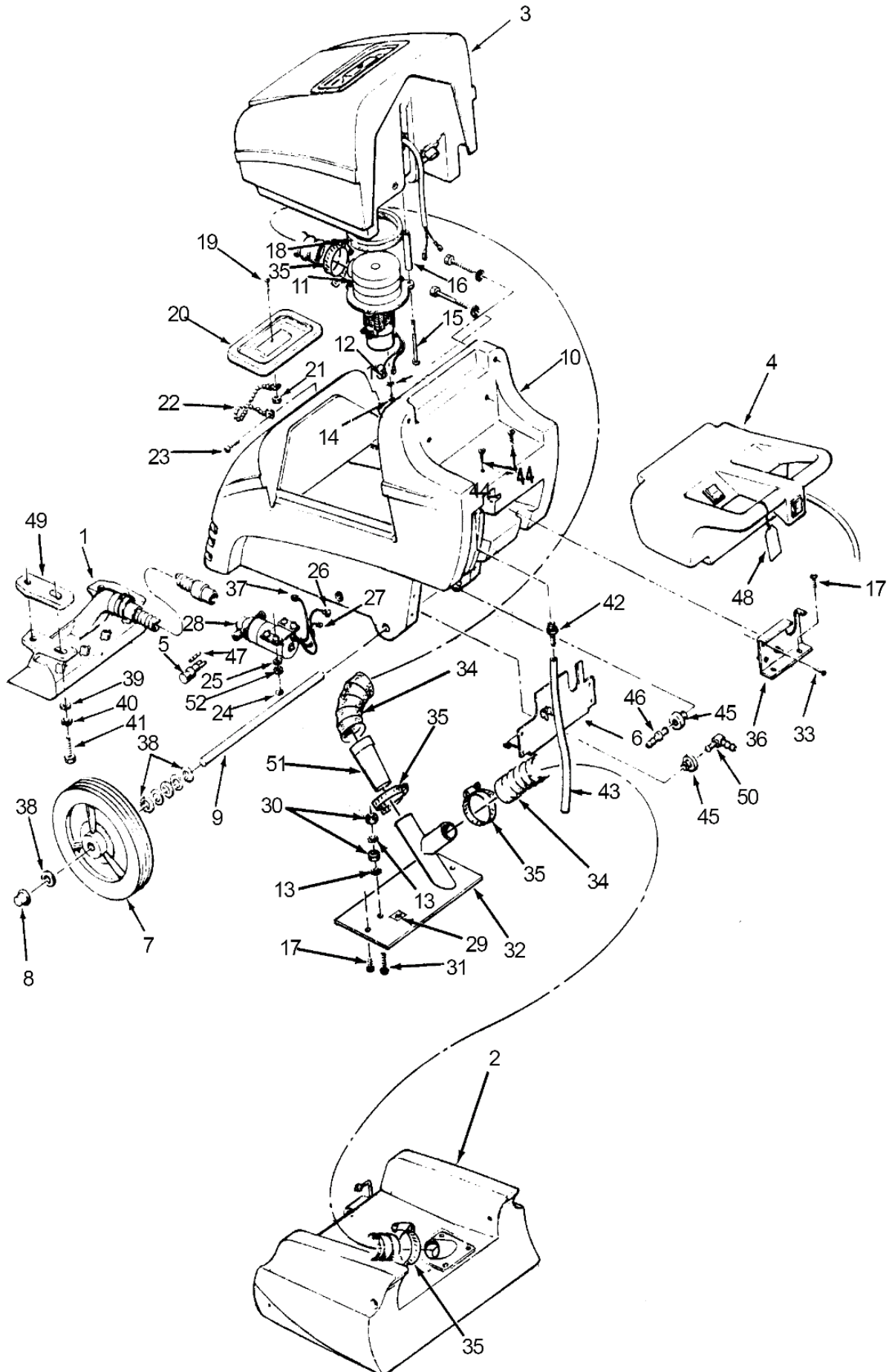
Final assembly IMAGE 20

IMAGE 16, IMAGE 20 230V

08-12-2012

Part List ID
IMAGE1606

8



Final assembly IMAGE 20

IMAGE 16, IMAGE 20 230V

08-12-2012

Part List ID
IMAGE1606

9

Pos	Part no.	Qty	Description	
1		1	USE LINK	ASM., RECOVERY SHOE
2		1	USE LINK	ASM., BRUSH HOUSING
3		1	USE LINK	ASM., RECOVERY TANK
4		1	USE LINK	ASM., ELECTRICAL PANEL
5	912201	1	FUSE HOLDER 115V	
6		1	USE LINK	ASM., VALVE SUPPORT
7	59947A	2	WHEEL 10 X 1.75 X .50 BORE	
8	920346	2	PALNUT PW500015 TYPE W	
9	67463A	1	SHAFT .50 O.D. X 16.8 PLTD	
10	30282A	1	TANKSOL IMAGE 16/20 ALTO	(INCL. #/ES 45, 46, 50)
11	44914A	1	MOTORVAC 3 STAGE230VEXT 77	
12	47708A	2	TERMINAL 1/4 FIMQD 22 18 GA.	
13	980603	3	WASHER LK 10 EXT TOOTHPLTD	
14	962546	1	SCR 10 24X 1/2 PN ST TYP23	
15	85736A	3	SCREW1/4 20 X 3 3/4 HEX HD SZ	
16	58533A	3	SPACER VAC MOTOR 3 STG. SUMMI	
17	84237A	4	SCREW 10 32 X 1/2 PAN HD SS	
18	643418	1	GASKET	
19	962798	1	SCR 10 24X 1/2 PN SS	
20	832322	1	COVER SOL TANK	
21	81110A	1	NUT HEX ELASTIC LOCK 10 24 S.S	
22	692409	1	CHAIN COVER 925A	
23	85519A	1	SCR 1/4 20X 3/8 PN SY TC F	
24	962113	4	SCR 10 32X1 RD ST MACH	
25	980982	4	WASHER 10 SAE FLAT PLTD	
26	911933	1	TERMINALRING 10 16 14 GAUGE	
27	47708A	1	TERMINAL 1/4 FIMQD 22 18 GA.	
28	45929A	1	PUMP 100 PSI BYPASS 230V	
29	77094A	1	LABEL GROUND SYMBOL	
30	920224	2	NUT 10X32 HEX	
31	85383A	1	SCREW 10 32 X 3/4 PAN HD	
32	68784A	1	COVER WLDMT LOWER PNTD IMG20	
33	85395A	1	SCREW 1/4 20 X 1/2 PAN HD SS	
34	674110	1	HOSE	
35	872010	4	CLAMP HOSE	
36		1	USE LINK	ASM.,PLATE, REAR COVER
37	41069B	1	RELAY 24VDC MINI ISO	
38	87607A	12	WASHER FLT 1.25X.52X.06 NYLON	
39	980651	4	WASHER 5/16 SAE FLAT	
40	980652	4	WASHER LK 5/16 REGPLTD	
41	85813A	4	SCREW 5/16 18 X 1 HX HD	
42	53619A	1	ADAPTOR 3/8 BARB X 1/4 NPT NYL	
43	59322A	1	TUBINGCLEAR VINYL 3/8IDX1/2OD	

Final assembly IMAGE 20

IMAGE 16, IMAGE 20 230V

08-12-2012

Part List ID
IMAGE1606

10

Pos	Part no.	Qty	Description
44	171112	2	SCREW 1/4 20 X 3/4
45	51518A	2	BUSHING HOSE CONNECTOR
46	52414A	1	HOSEBARB 3/8 STRAIGHT
47	42910A	1	FUSE 0.8 AMP 250V SLO BLOW
48	699203	1	TAG CAUTION
49	67897A	2	SPACERRECOVERY TOOL IMAGE 16
50	51526A	1	HOSEBARB 3/8 X 90 DEG
51	39502A	1	VENTURI 1.25 O.D. IMAGE 20
52	980650	4	WASH .19 x .34 x .04 LOCK
NI	16530A	1	LITERATURE KIT IMAGE 20
NI	699202	6	TIE WIRE 935A

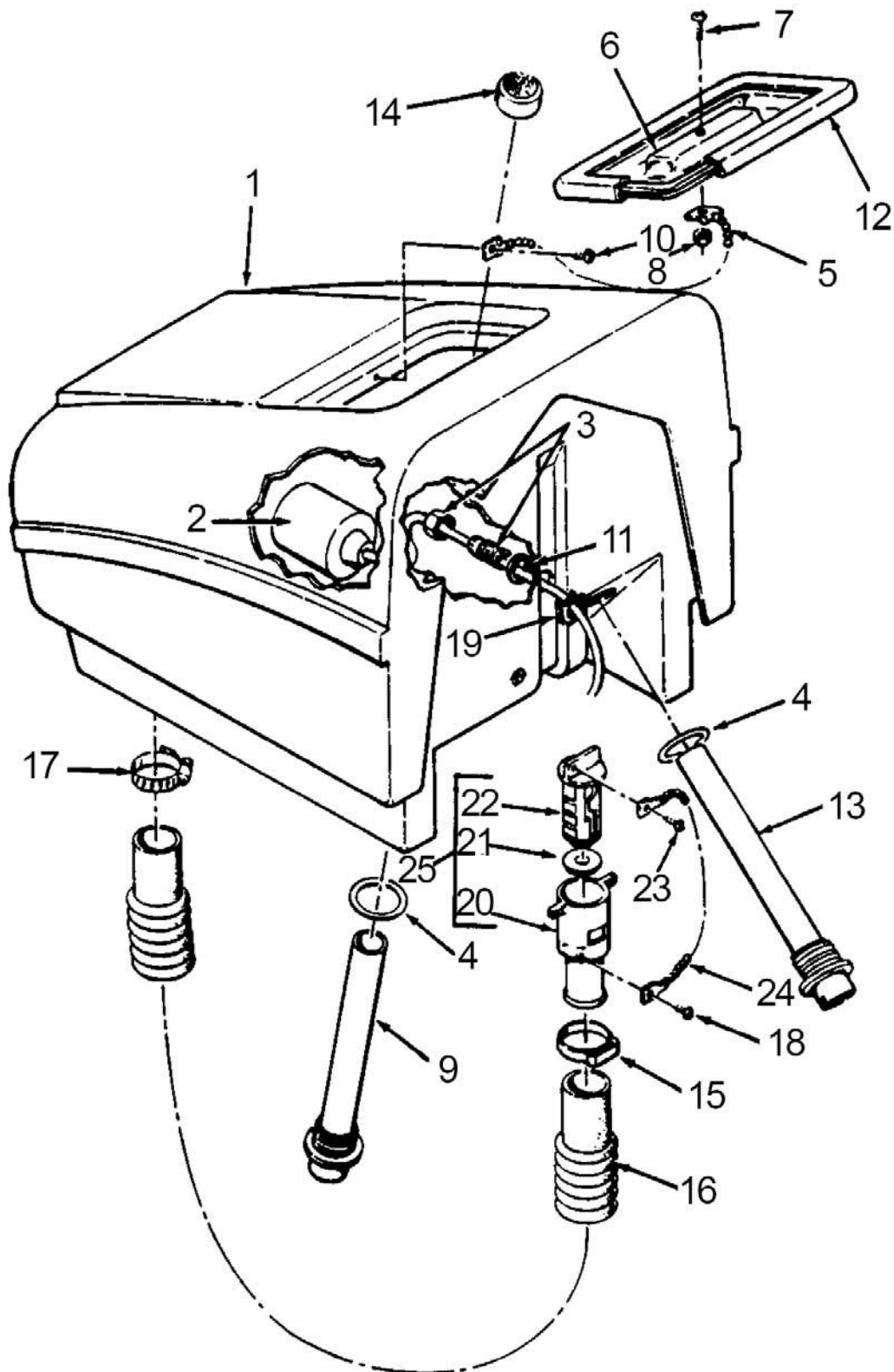
Recovery tank IMAGE 16

IMAGE 16, IMAGE 20 230V

08-12-2012

Part List ID
IMAGE1608

11



Recovery tank IMAGE 16

IMAGE 16, IMAGE 20 230V

08-12-2012

Part List ID
IMAGE1608

12

Pos	Part no.	Qty	Description
1	30279A	1	TANKREC IMAGE 16/20 CLARKE
2	47419A	1	SWITCH FLOAT IMAGE 16
3	56459A	1	STRAIN RELIEF EXT 771 PBII
4	837304	2	O RING RETAINER PAPER BAG
5	692409	1	CHAIN COVER 925A
6	832322	1	COVER SOL TANK
7	962798	1	SCR 10 24X 1/2 PN SS
8	81110A	1	NUT HEX ELASTIC LOCK 10 24 S.S
9	39326A	1	TUBE VACUUM IMAGE 7
10	85519A	1	SCR 1/4 20X 3/8 PN SY TC F
11	59877A	1	WASHER 1/2 NPT SEALING
12	34256B	1	GASKET REC IMAGE EXT 441
13	39327A	1	TUBE RECOVERY IMAGE 7
14	56476A	1	STRAINER VACUUM 32 DLX
15	832002	1	CLAMP NYLON HOSE
16	30431A	1	HOSE DRAIN IMAGE 16
17	752020	1	CLAMP 450 SHAMPOOER VAC
18	962958	1	SCREW 8 18 X 1/2 PN
19	82100A	1	LOCKNUT 1/2 CONDUIT
20	839401	1	VALVE DRAIN
21	833407	1	GASKET DRAIN
22	833901	1	HANDLE DRAIN VALVE
23	962987	1	SCR 10 24X 3/8 PN ST TYP23
24	52206A	1	CHAIN COVER AUTOSCRUBER
25	839410	1	VALVE ASM SOLUTION DRAIN

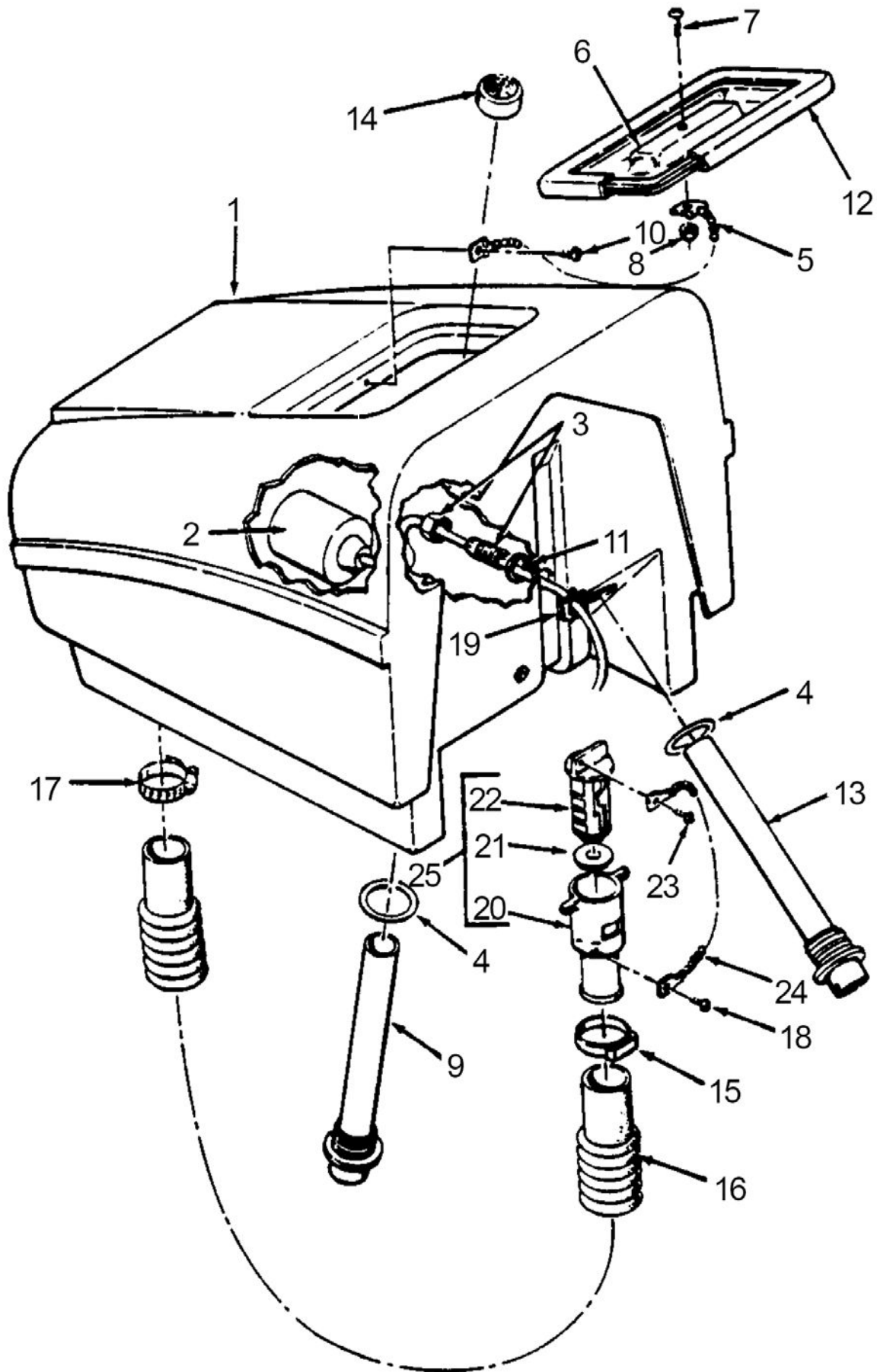
Recovery tank IMAGE 20

IMAGE 16, IMAGE 20 230V

08-12-2012

Part List ID
IMAGE1610

13



Recovery tank IMAGE 20

IMAGE 16, IMAGE 20 230V

08-12-2012

Part List ID
IMAGE1610

14

Pos	Part no.	Qty	Description
1	30279A	1	TANKREC IMAGE 16/20 CLARKE
2	47419A	1	SWITCH FLOAT IMAGE 16
3	56459A	1	STRAIN RELIEF EXT 771 PBII
4	837304	2	O RING RETAINER PAPER BAG
5	692409	1	CHAIN COVER 925A
6	832322	1	COVER SOL TANK
7	962798	1	SCR 10 24X 1/2 PN SS
8	81110A	1	NUT HEX ELASTIC LOCK 10 24 S.S
9	39326A	1	TUBE VACUUM IMAGE 7
10	85519A	1	SCR 1/4 20X 3/8 PN SY TC F
11	59877A	1	WASHER 1/2 NPT SEALING
12	34256B	1	GASKET REC IMAGE EXT 441
13	39327A	1	TUBE RECOVERY IMAGE 7
14	56476A	1	STRAINER VACUUM 32 DLX
15	832002	1	CLAMP NYLON HOSE
16	30431A	1	HOSE DRAIN IMAGE 16
17	752020	1	CLAMP 450 SHAMPOOER VAC
18	962958	1	SCREW 8 18 X 1/2 PN
19	82100A	1	LOCKNUT 1/2 CONDUIT
20	839401	1	VALVE DRAIN
21	833407	1	GASKET DRAIN
22	833901	1	HANDLE DRAIN VALVE
23	962987	1	SCR 10 24X 3/8 PN ST TYP23
24	52206A	1	CHAIN COVER AUTOSCRUBER
25	839410	1	VALVE ASM SOLUTION DRAIN

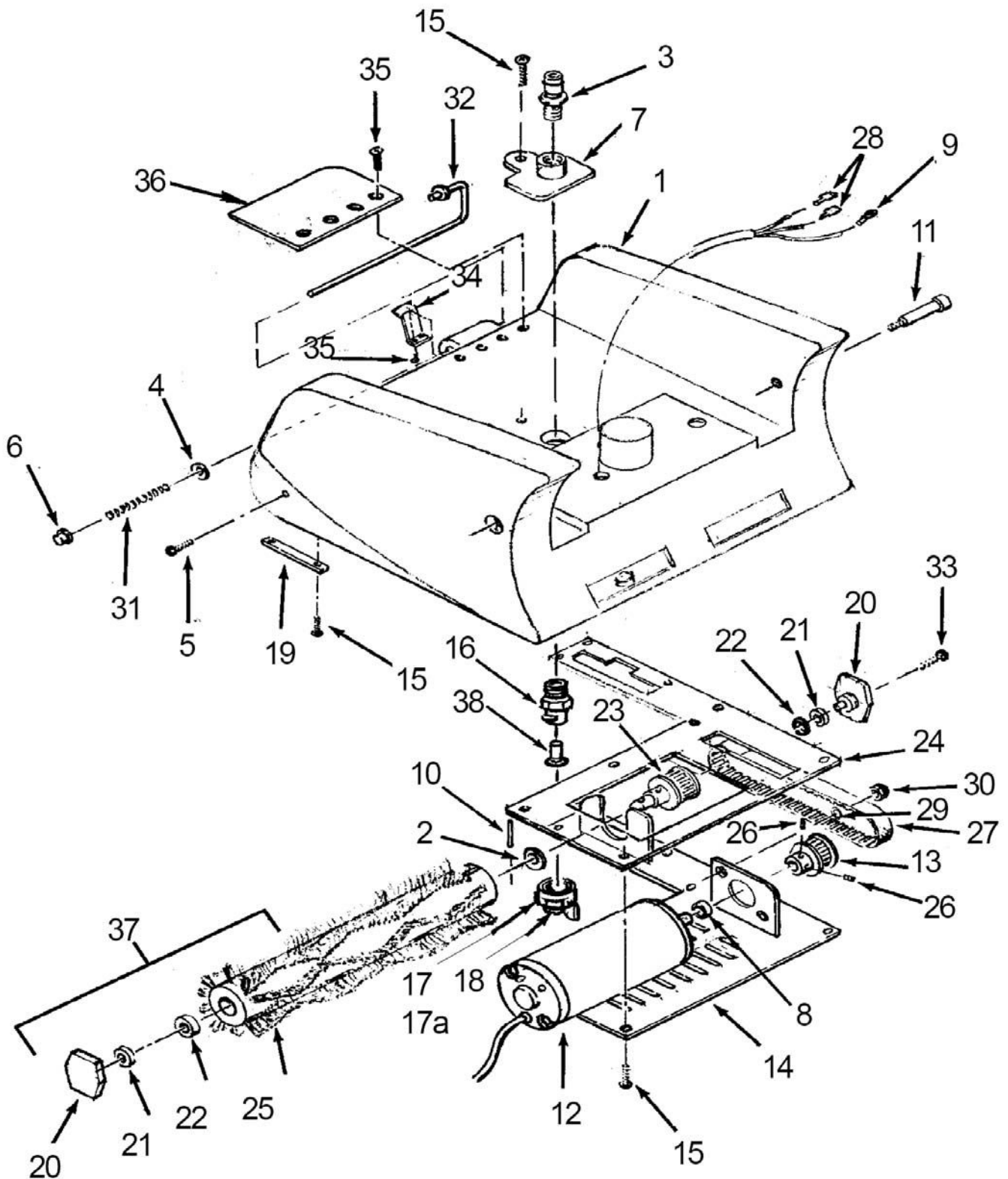
Brush housing IMAGE 16

IMAGE 16, IMAGE 20 230V

08-12-2012

Part List ID
IMAGE1612

15



Brush housing IMAGE 16

IMAGE 16, IMAGE 20 230V

08-12-2012

Part List ID
IMAGE1612

16

Pos	Part no.	Qty	Description	
1	35231A	1	HOUSING BRUSH IMAGE 16	
2	980202	1	WASHER WAVE	
3	52654A	1	COUPLING MALE Q.D. IMAGE 7	
4	87026A	1	WASHER .250 FLAT SS	
5	85521A	1	SCREW10 24 X 1/2 PAN HD SS	
6	81104A	1	NUT 1/4 20 ESNA TYPE SS	
7	68775A	1	PLATE WLDMT NOZZLE IMAGE 16	
8	58517A	1	SPACERMOTOREXT 441/771 PB II	
9	47807A	1	TERMINAL 10 IRTIS 16 14 GA	
10	925549	1	PIN 3/16X1 1/2 ROLL	
11	960970	2	BOLT SHOULDER 3/8 X 1 1/2	
12	45024D	1	MOTOR BRUSH IMAGE 16 230	
13	57268A	1	PULLEY TIMING 1/5 PITCH 16T	
14	68666B	1	PLATE WLDMT BRUSH HSG IMG 16	
15	84237A	12	SCREW 10 32 X 1/2 PAN HD SS	
16	54880A	1	HOUSINGSPRAY NOZZLE	
17	54339A	1	CAP W/GASKET ASM EXT2100	
18	54155A	1	NOZZLE TEEJET 2 X 150 DEG BR	
19	66970A	1	RETAINER BRUSH IMAGE 7	
20	66188C	2	PIVOT BRUSH SS ASM IM 16/20	
21	53047A	2	SEAL SINGLE LIP W/SPG 5/8 ID	
23	66187B	1	SPROCKET 28T DRIVE PIN IMG 16	
24	34273A	1	GASKET BRUSH HSG IMAGE 16	
25	63059A	1	BRUSH RESTORATIVE IMAGE 7	
26	962628	2	SCR 8 32X 3/16 ST ST CUPPT	
27	50909A	1	BELT BRUSH DRIVE EXT 771/441	
28	47701A	2	TERMINAL 1/4 FIFQD 16-14 GA.	
29	980603	2	WASHER LK 10 EXT TOOTHPLTD	
30	920224	2	NUT 10X32 HEX	
31	628382	1	SPRING ROD RETURN 575	
32	67148B	1	ROD BRUSH ADJ. IMAGE 16	
33	85605A	1	SCREW 10 24 X 3/4 PN HD SS	
34	63071A	1	BRACKET BRUSH STOP IMAGE 16	
35	85903A	6	SCREW 10 00X1/2 PN HD TYPE A	
36	38404A	1	SHIELD BRUSH DEFLECTOR IMG 16	
37	14657A	1	RESTORATION BRUSH KIT IMG 16	KIT, RESTORATION, BRUSH INCLUDES ONE EACH OF: (#20
NI	699202	2	TIE WIRE 935A	
17A	30042A	1	GASKETSPRAYVITON IMAGE 16 20	
25A	63060A	1	BRUSH MAINTENANCE IMAGE 7	
37A	14671A	1	BRUSH ASM.INTERIM IMAGE 16	KIT, INTERIM BRUSH INCLUDES ONE EACH OF: (#20, 21,

Brush housing IMAGE 20

IMAGE 16, IMAGE 20 230V

08-12-2012

Part List ID
IMAGE1614

18

Pos	Part no.	Qty	Description
1	35229A	1	HOUSING BRUSH IMAGE 20
2	980202	1	WASHER WAVE
3	52654A	1	COUPLING MALE Q.D. IMAGE 7
4	87026A	1	WASHER .250 FLAT SS
5	68782A	1	EXHAUST WLDMT BRUSH HSG PNTD
6	81104A	1	NUT 1/4 20 ESNA TYPE SS
7	36504A	1	MANIFOLD BRUSH HSG. IMAGE 7
8	58517A	1	SPACERMOTOREXT 441/771 PB II
9	47807A	1	TERMINAL 10 IRTIS 16 14 GA
10	925549	1	PIN 3/16X1 1/2 ROLL
11	80035B	2	BOLT SHOULDER 3/8 X 1 1/4
12	45042A	1	MOTOR BRUSH 1/3 HP 230V
13	57268A	1	PULLEY TIMING 1/5 PITCH 16T
14	64222A	1	PLATE WLDMT BRUSH HSG IMG 20
15	84237A	13	SCREW 10 32 X 1/2 PAN HD SS
16	54880A	2	HOUSINGSPRAY NOZZLE
17	54339A	2	CAP W/GASKET ASM EXT2100
18	54165A	2	NOZZLE TEEJET IMAGE 20
19	66970A	1	RETAINER BRUSH IMAGE 7
20	66188C	2	PIVOT BRUSH SS ASM IM 16/20
21	53047A	2	SEAL SINGLE LIP W/SPG 5/8 ID
22	902648	2	BRG BALL RADIAL DBL SEAL
23	66187B	1	SPROCKET 28T DRIVE PIN IMG 16
24	34278A	1	GASKETBRUSH HOUSING IMAGE 20
25	63080A	1	BRUSH RESTORATION IMAGE 20
26	962628	2	SCR 8 32X 3/16 ST ST CUPPT
27	50909A	1	BELT BRUSH DRIVE EXT 771/441
28	47701A	2	TERMINAL 1/4 FIFQD 16-14 GA.
29	980603	2	WASHER LK 10 EXT TOOTHPLTD
30	920224	2	NUT 10X32 HEX
31	628382	1	SPRING ROD RETURN 575
32	67159A	1	ROD BRUSH ADJ. IMAGE 20
33	85605A	2	SCREW 10 24 X 3/4 PN HD SS
35	85903A	8	SCREW 10 00X1/2 PN HD TYPE A
36	38404A	1	SHIELD BRUSH DEFLECTOR IMG 16
37	696801	2	PLUG 1/4 RECESSED PIPE
38	14678A	1	BRUSH RESTORATION KIT IMG 20 (#20, 21, 22, 25)
39	69819A	1	BRACKET MANIFOLD RETAINER
40	30076A	2	STRAINER SPRAY JET PLASTIC
NI	699202	2	TIE WIRE 935A
18A	30042A	2	GASKETSPRAYVITON IMAGE 16 20
25A	63081A	1	BRUSHMAINTENANCE IMAGE 20
38A	14679A	1	BRUSH ASM INTERIM IMAGE 20 (# 20, 21, 22, 25A)

Electric parts IMAGE 16I

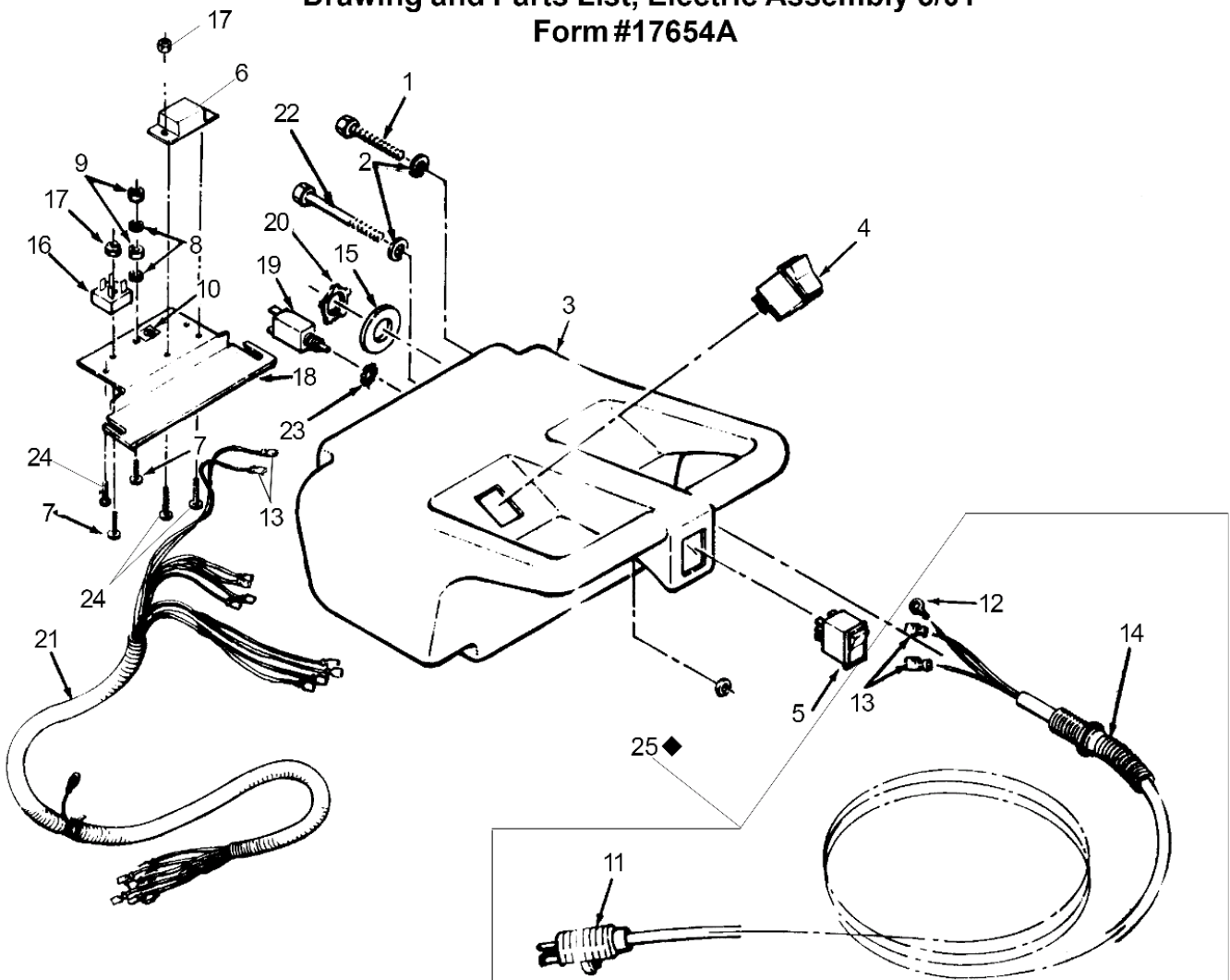
IMAGE 16, IMAGE 20 230V

08-12-2012

Part List ID
IMAGE1616

19

Drawing and Parts List, Electric Assembly 5/01 Form #17654A



Electric parts IMAGE 16I

IMAGE 16, IMAGE 20 230V

08-12-2012

Part List ID
IMAGE1616

20

Pos	Part no.	Qty	Description
1	85815A	2	SCREW 5/16 18 X 1.50 HEX HEAD
2	980692	4	WASHER 5/16 FLAT SS
3	34809B	1	HANDLECONTROL IMAGE16/20 BLUE
4	47411A	1	SWITCH DPST NON ILLUM IMAGE 1
5	47412A	1	SWITCH DPST 3 POS. IMAGE 16
6	47201A	1	SUPPRESSOR RF 8A IMAGE 14
7	85383A	2	SCREW 10 32 X 3/4 PAN HD
8	980603	2	WASHER LK 10 EXT TOOTHPLTD
9	920224	2	NUT 10X32 HEX
10	77094A	1	LABEL GROUND SYMBOL
11	42235A	1	CORD HO5VV F3G1.5 36FT GRAY
12	170687	1	TERM 10 RING 14/16G
13	47711A	5	TERMINAL1/4 FIFQD 16/14 GA
14	58013A	1	STRAIN RELIEF EXT 771
15	170870	1	WASHERFLAT7/8 SAEPLAIN
16	46103A	1	RECTIFIER BRIDGE EXT 771/441
17	920722	3	NUT 10 32 ELASTIC STOP ZN.PL.
18	68776A	1	PANEL WLDMTSUPPORTNTDIMAGE16
19	41449A	1	BREAKERCIRCUIT .6A 230V
20	82100A	1	LOCKNUT 1/2 CONDUIT
21	49727B	1	HARNESSWIRE IMAGE 16IX
22	962308	2	SCR 5/16 18X2 1/4 HX ST
23	980666	1	WASHER 3/8 EXT. STAR
24	84237A	4	SCREW 10 32 X 1/2 PAN HD SS
25	40149A	1	CORD ASM POWER 36FT 230V
NI	699202	1	TIE WIRE 935A

230V (INCLUDES 11, 12, 13, 14)

Electric parts IMAGE 16IX

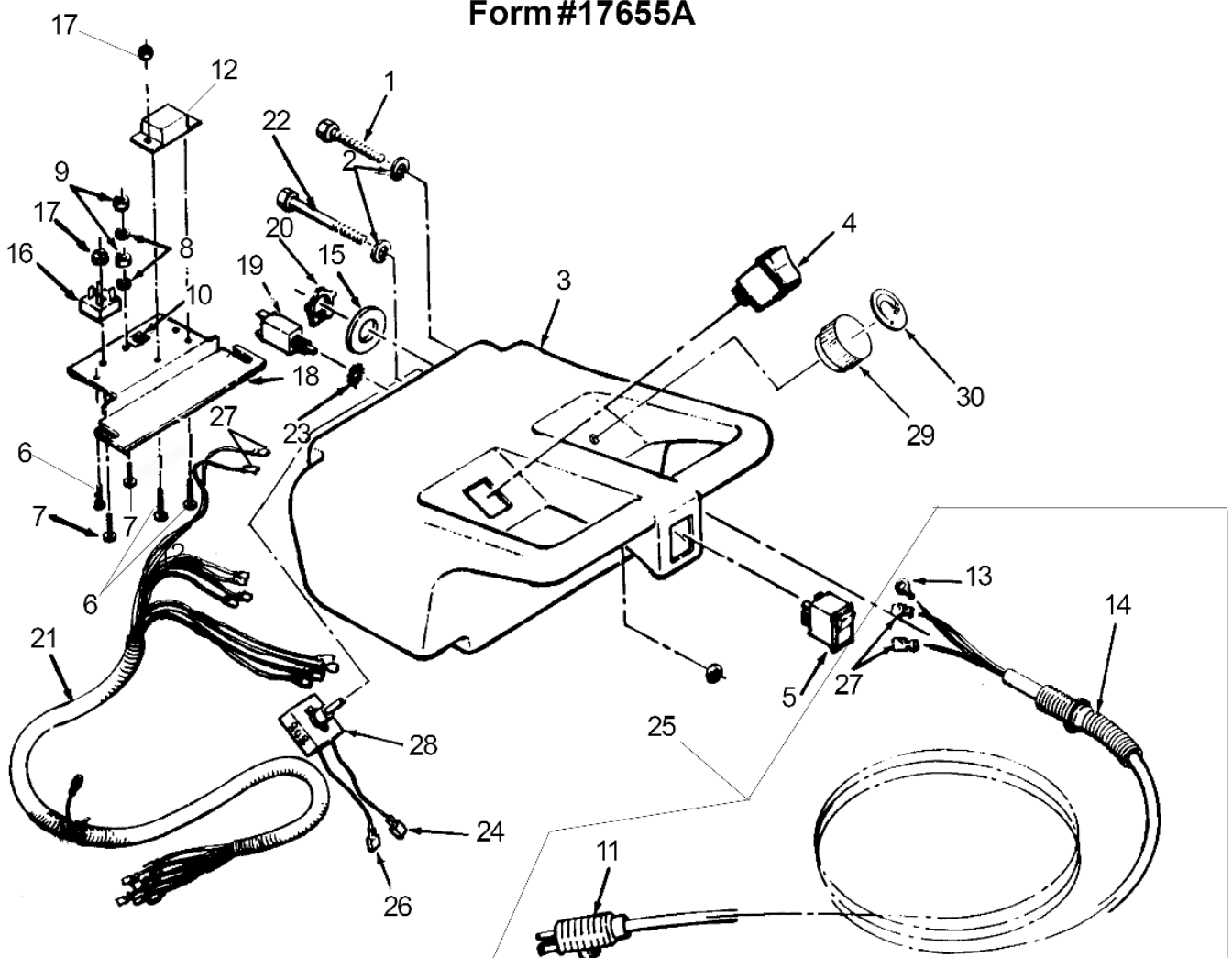
IMAGE 16, IMAGE 20 230V

08-12-2012

Part List ID
IMAGE1618

21

Drawing and Parts List, Electric Assembly 5/01 Form #17655A



Electric parts IMAGE 16IX

IMAGE 16, IMAGE 20 230V

08-12-2012

Part List ID
IMAGE1618

22

Pos	Part no.	Qty	Description
1	85815A	2	SCREW 5/16 18 X 1.50 HEX HEAD
2	980692	4	WASHER 5/16 FLAT SS
3	34809B	1	HANDLECONTROL IMAGE16/20 BLUE
4	47411A	1	SWITCH DPST NON ILLUM IMAGE 1
5	47412A	1	SWITCH DPST 3 POS. IMAGE 16
6	84237A	4	SCREW 10 32 X 1/2 PAN HD SS
7	85383A	2	SCREW 10 32 X 3/4 PAN HD
8	980603	2	WASHER LK 10 EXT TOOTHPLTD
9	920224	2	NUT 10X32 HEX
10	77094A	1	LABEL GROUND SYMBOL
11	42237A	1	CORD HO5VV F3G1.5 75FT GRAY
12	47201A	1	SUPPRESSOR RF 8A IMAGE 14
13	170687	1	TERM 10 RING 14/16G
14	58013A	1	STRAIN RELIEF EXT 771
15	170870	1	WASHERFLAT7/8 SAEPLAIN
16	46103A	1	RECTIFIER BRIDGE EXT 771/441
17	920722	3	NUT 10 32 ELASTIC STOP ZN.PL.
18	68776A	1	PANEL WLDMTSUPPTPNTDIMAGE16
19	41449A	1	BREAKERCIRCUIT .6A 230V
20	82100A	1	LOCKNUT 1/2 CONDUIT
21	49727B	1	HARNESSWIRE IMAGE 16IX
22	962308	2	SCR 5/16 18X2 1/4 HX ST
23	980666	1	WASHER 3/8 EXT. STAR
24	41069B	1	RELAY 24VDC MINI ISO
25	40150A	1	CORD ASM POWER 75FT 230V
26	47708A	1	TERMINAL 1/4 FIMQD 22 18 GA.
27	47711A	5	TERMINAL1/4 FIFQD 16/14 GA
28	52505A	1	CONTROL SPEED VARIABLE 230V
29	55502A	1	KNOB SPEED CONTROL+TEMP CONTRL
30	77187C	1	LABEL INCREASE IMAGE 16
NI	699202	1	TIE WIRE 935A

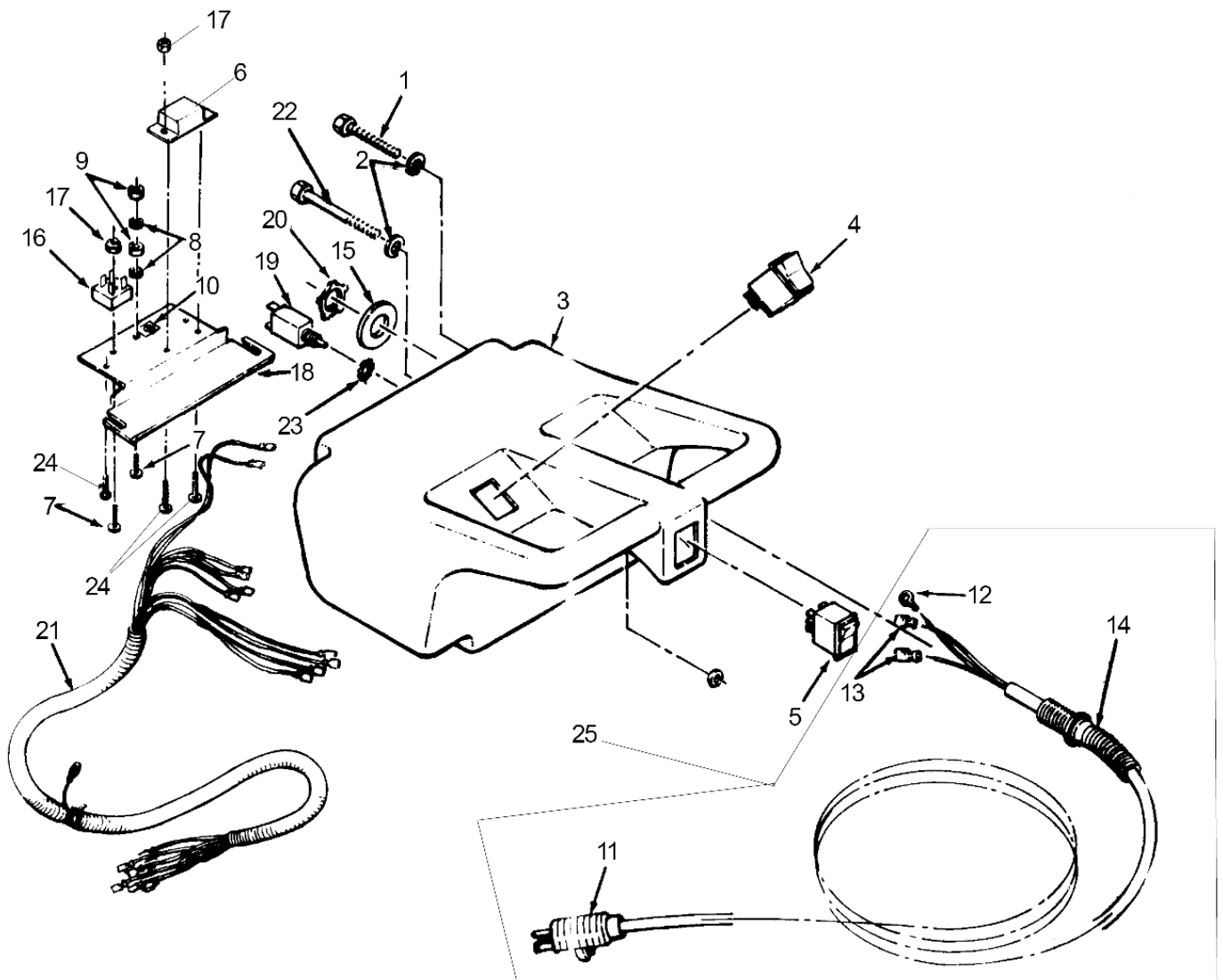
Electric parts IMAGE 20I

IMAGE 16, IMAGE 20 230V

08-12-2012

Part List ID
IMAGE1620

23



Electric parts IMAGE 20I

IMAGE 16, IMAGE 20 230V

08-12-2012

Part List ID
IMAGE1620

24

Pos	Part no.	Qty	Description	
1	85815A	2	SCREW 5/16 18 X 1.50 HEX HEAD	
2	980692	4	WASHER 5/16 FLAT SS	
3	34809B	1	HANDLECONTROL IMAGE16/20 BLUE	
4	47411A	1	SWITCH DPST NON ILLUM IMAGE 1	
5	47412A	1	SWITCH DPST 3 POS. IMAGE 16	
6	47201A	1	SUPPRESSOR RF 8A IMAGE 14	
7	85383A	2	SCREW 10 32 X 3/4 PAN HD	
8	980603	2	WASHER LK 10 EXT TOOTHPLTD	
9	920224	2	NUT 10X32 HEX	
10	77094A	1	LABEL GROUND SYMBOL	
11	42235A	1	CORD HO5VV F3G1.5 36FT GRAY	
12	170687	1	TERM 10 RING 14/16G	
13	47711A	5	TERMINAL1/4 FIFQD 16/14 GA	
14	58013A	1	STRAIN RELIEF EXT 771	
15	170870	1	WASHERFLAT7/8 SAEPLAIN	
16	46103A	1	RECTIFIER BRIDGE EXT 771/441	
17	920722	3	NUT 10 32 ELASTIC STOP ZN.PL.	
18	68776A	1	PANEL WLDMTSUPPORTNTDIMAGE16	
19	41435C	1	BREAKERCIRCUIT1.25AQD.25ST	
20	82100A	1	LOCKNUT 1/2 CONDUIT	
21	49727B	1	HARNESSWIRE IMAGE 16IX	
22	962308	2	SCR 5/16 18X2 1/4 HX ST	
23	980666	1	WASHER 3/8 EXT. STAR	
24	84237A	4	SCREW 10 32 X 1/2 PAN HD SS	
25	40149A	1	CORD ASM POWER 36FT 230V	230V (INCL. 11,12,13,14)
NI	699202	1	TIE WIRE 935A	

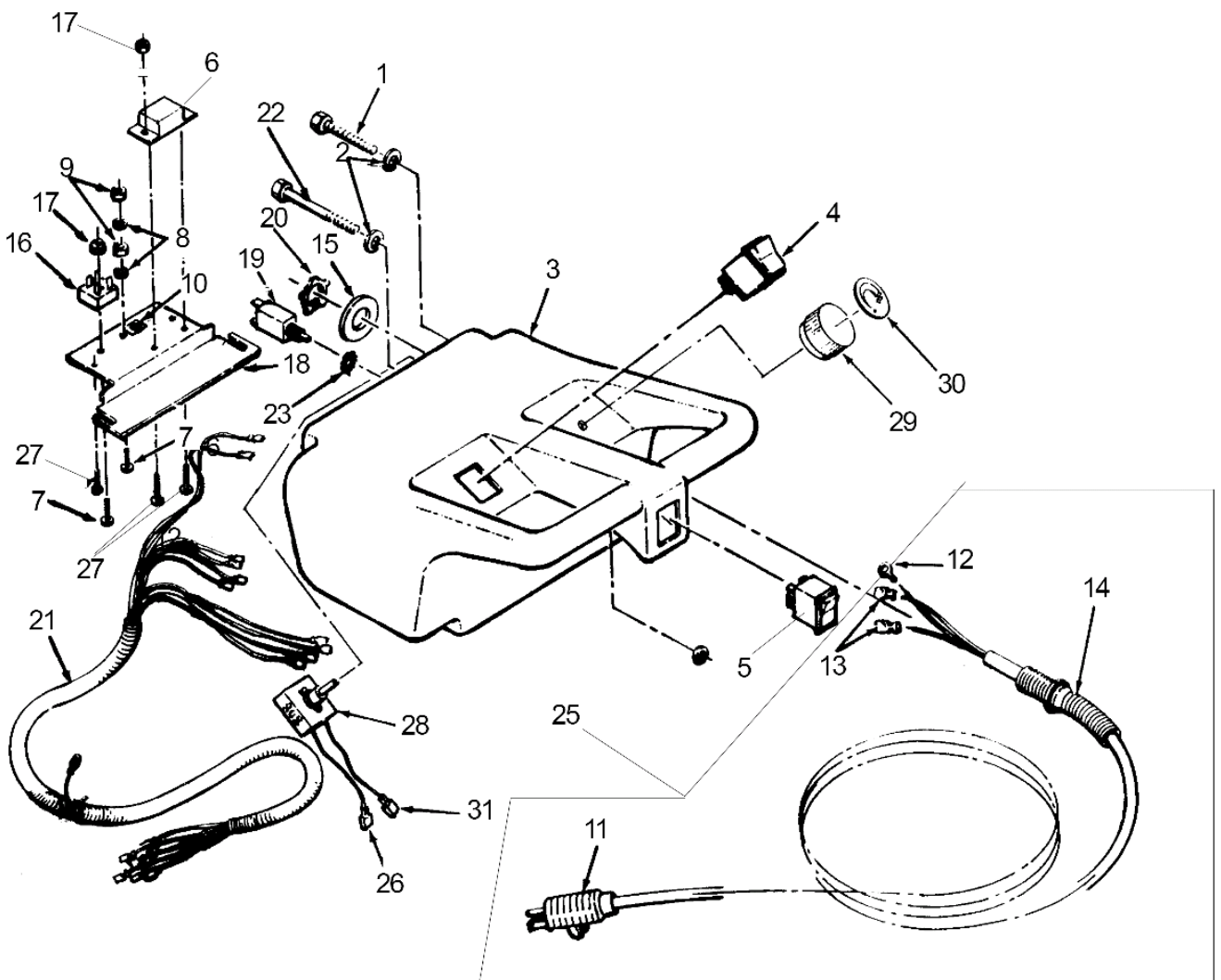
Electric parts IMAGE 20IX

IMAGE 16, IMAGE 20 230V

08-12-2012

Part List ID
IMAGE1622

25



Electric parts IMAGE 20IX

IMAGE 16, IMAGE 20 230V

08-12-2012

Part List ID
IMAGE16ZZ

26

Pos	Part no.	Qty	Description
1	85815A	2	SCREW 5/16 18 X 1.50 HEX HEAD
2	980692	4	WASHER 5/16 FLAT SS
3	34809B	1	HANDLECONTROL IMAGE16/20 BLUE
4	47411A	1	SWITCH DPST NON ILLUM IMAGE 1
5	47412A	1	SWITCH DPST 3 POS. IMAGE 16
6	47201A	1	SUPPRESSOR RF 8A IMAGE 14
7	85383A	2	SCREW 10 32 X 3/4 PAN HD
8	980603	2	WASHER LK 10 EXT TOOTHPLTD
9	920224	2	NUT 10X32 HEX
10	77094A	1	LABEL GROUND SYMBOL
11	42237A	1	CORD HO5VV F3G1.5 75FT GRAY
12	170687	1	TERM 10 RING 14/16G
13	47711A	5	TERMINAL1/4 FIFQD 16/14 GA
14	58013A	1	STRAIN RELIEF EXT 771
15	170870	1	WASHERFLAT7/8 SAEPLAIN
16	46103A	1	RECTIFIER BRIDGE EXT 771/441
17	920722	3	NUT 10 32 ELASTIC STOP ZN.PL.
18	68776A	1	PANEL WLDMTSUPPTPNTDIMAGE16
19	41435C	1	BREAKERCIRCUIT1.25AQD.25ST
20	82100A	1	LOCKNUT 1/2 CONDUIT
21	49727B	1	HARNESSWIRE IMAGE 16IX
22	962308	2	SCR 5/16 18X2 1/4 HX ST
23	980666	1	WASHER 3/8 EXT. STAR
25	40150A	1	CORD ASM POWER 75FT 230V
26	47708A	1	TERMINAL 1/4 FIMQD 22 18 GA.
27	84237A	4	SCREW 10 32 X 1/2 PAN HD SS
28	52505A	1	CONTROL SPEED VARIABLE 230V
29	55502A	1	KNOB SPEED CONTROL+TEMP CONTRL
30	77187C	1	LABEL INCREASE IMAGE 16
31	41069B	1	RELAY 24VDC MINI ISO
NI	699202	1	TIE WIRE 935A

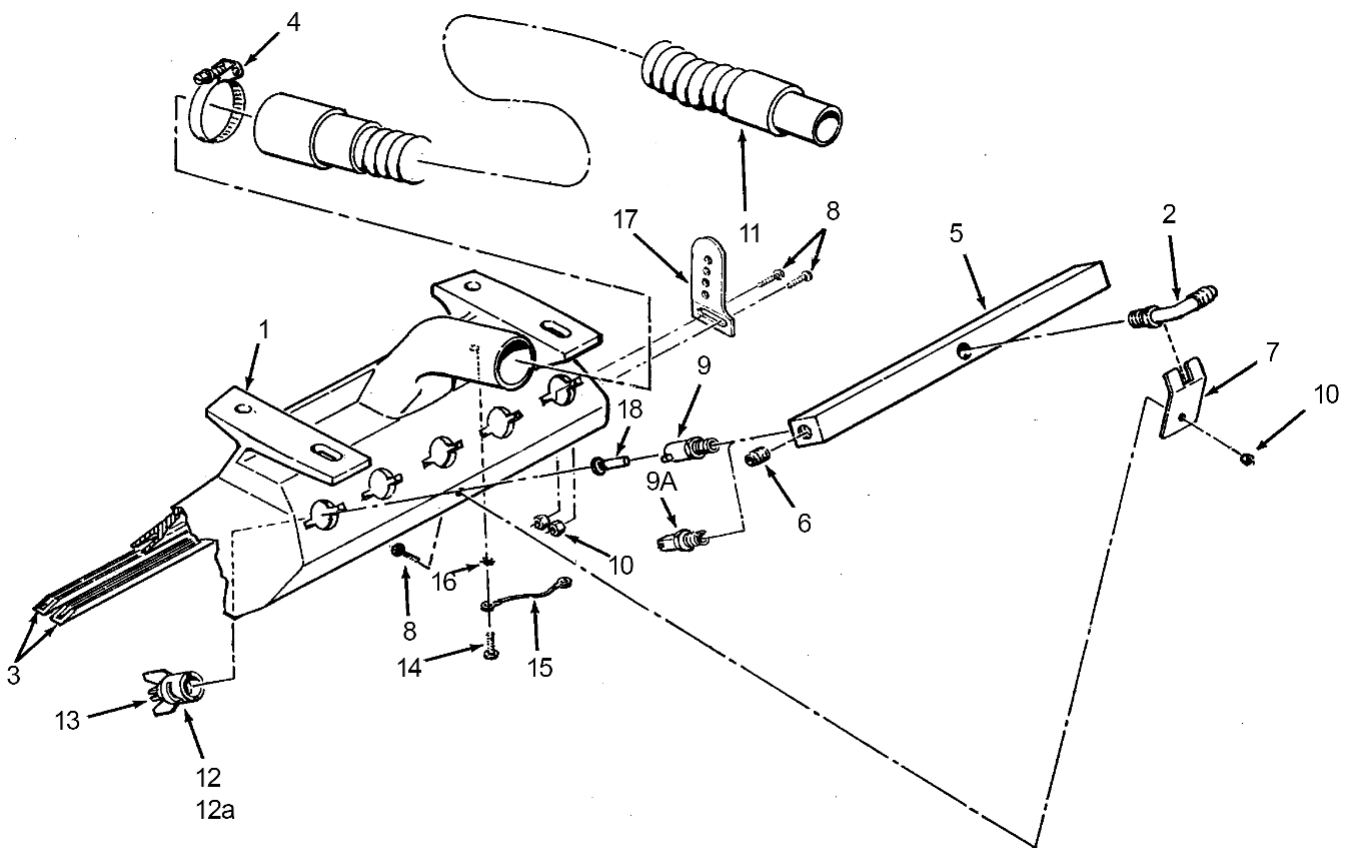
Recovery shoe IMAGE 16

IMAGE 16, IMAGE 20 230V

08-12-2012

Part List ID
IMAGE1624

27



Recovery shoe IMAGE 16

IMAGE 16, IMAGE 20 230V

08-12-2012

Part List ID
IMAGE1624

28

Pos	Part no.	Qty	Description	
1	28204B	1	TOOL RECOVERY PNTD IMG-16	
2	53607A	1	ELBOW 1/4 NPT X 3/8 HOSE	
3	67615A	2	SHOE RECOVERY TOOLSS IMG 16	
4	872010	1	CLAMP HOSE	
5	36505A	1	MANIFOLDSPRAY IMAGE 16	
6	696801	2	PLUG 1/4 RECESSED PIPE	
7	63063A	1	BRACKET MANIFOLD RETAINING I	
8	962798	3	SCR 10 24X 1/2 PN SS	
9	54880A	4	HOUSINGSPRAY NOZZLE	
10	81110A	3	NUT HEX ELASTIC LOCK 10 24 S.S	
11	30426A	1	HOSE RECOVERY 2 CUFF X 1 1/	
12	54339A	4	CAP W/GASKET ASM EXT2100	IX
13	54157A	4	NOZZLE TEEJET 1 X 110 DEG BR	IX
14	962333	1	SCREW 10 32 X 1/4 PN ST PH	
16	980603	1	WASHER LK 10 EXT TOOTHPLTD	
17	63061C	1	BRACKET BRUSH PIVOT IMAGE 20	
18	30076A	4	STRAINER SPRAY JET PLASTIC	IX
9A	54164A	4	NOZZLE1/4 MPT 110 DEG. X 1.5	I
12A	30042A	4	GASKETSPRAYVITON IMAGE 16 20	IX

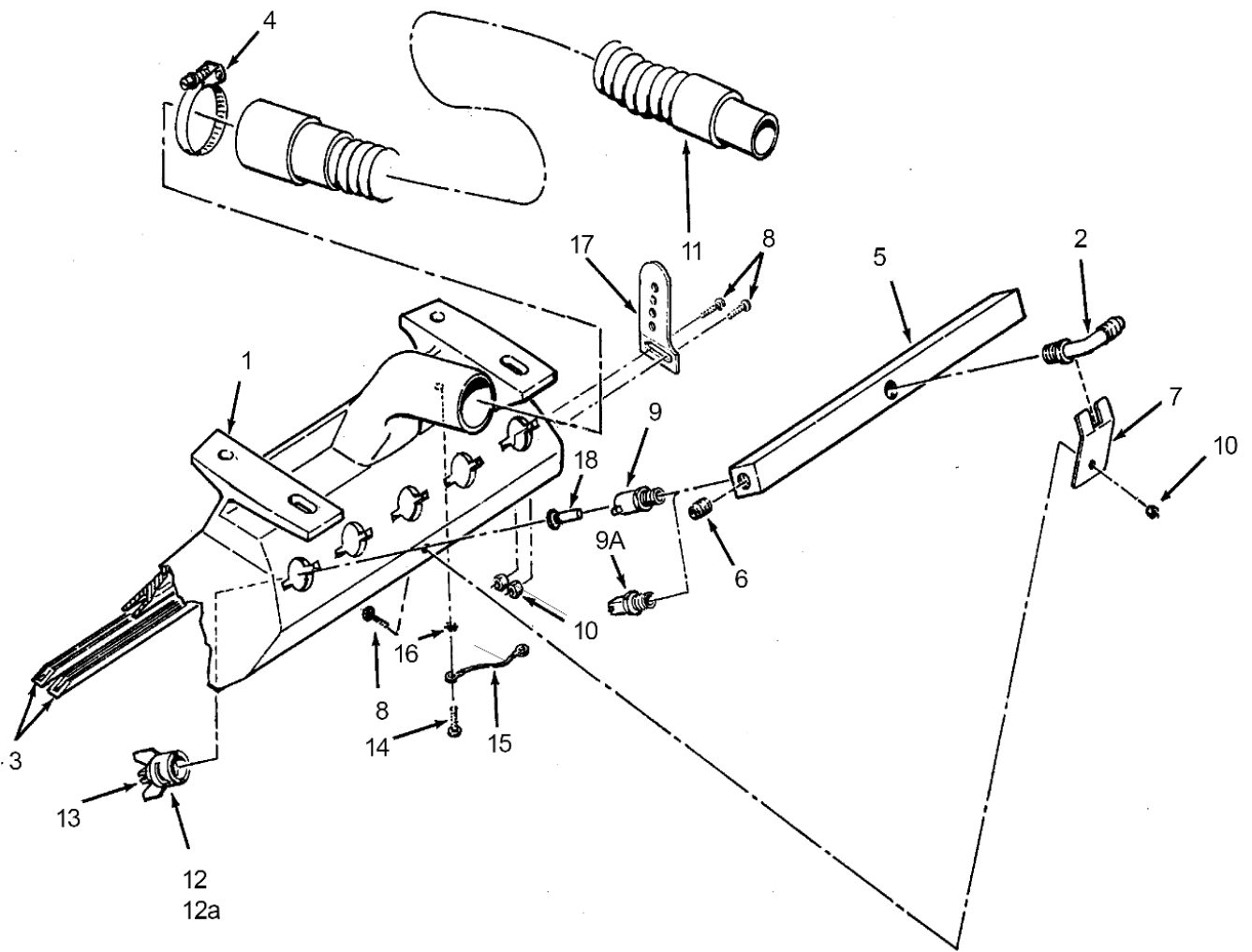
Recovery shoe IMAGE 20

IMAGE 16, IMAGE 20 230V

08-12-2012

Part List ID
IMAGE1626

29



Recovery shoe IMAGE 20

IMAGE 16, IMAGE 20 230V

08-12-2012

Part List ID
IMAGE1626

30

Pos	Part no.	Qty	Description	
1	28203B	1	TOOL RECOVERY PNTD IMG 20	
2	53607A	1	ELBOW 1/4 NPT X 3/8 HOSE	
3	67613A	2	SHOERECOVERYTOOLSSIMAGE 20	
4	872010	1	CLAMP HOSE	
5	36506A	1	MANIFOLD REC. TOOL IMAGE 20	
6	696801	2	PLUG 1/4 RECESSED PIPE	
7	63063A	1	BRACKET MANIFOLD RETAINING I	
8	962798	3	SCR 10 24X 1/2 PN SS	
9	54880A	5	HOUSINGSPRAY NOZZLE	IX
10	81110A	3	NUT HEX ELASTIC LOCK 10 24 S.S	
11	30426A	1	HOSE RECOVERY 2 CUFF X 1 1/	
12	54339A	5	CAP W/GASKET ASM EXT2100	IX
13	54157A	5	NOZZLE TEEJET 1 X 110 DEG BR	IX
14	962333	1	SCREW 10 32 X 1/4 PN ST PH	
16	980603	1	WASHER LK 10 EXT TOOTHPLTD	
17	63061C	1	BRACKET BRUSH PIVOT IMAGE 20	
18	30076A	5	STRAINER SPRAY JET PLASTIC	IX
9A	54160A	5	NOZZLE 1/4MPT 110X 1 BRASS	I
12A	30042A	5	GASKETSPRAYVITON IMAGE 16 20	IX

Valve ass. IMAGE 16

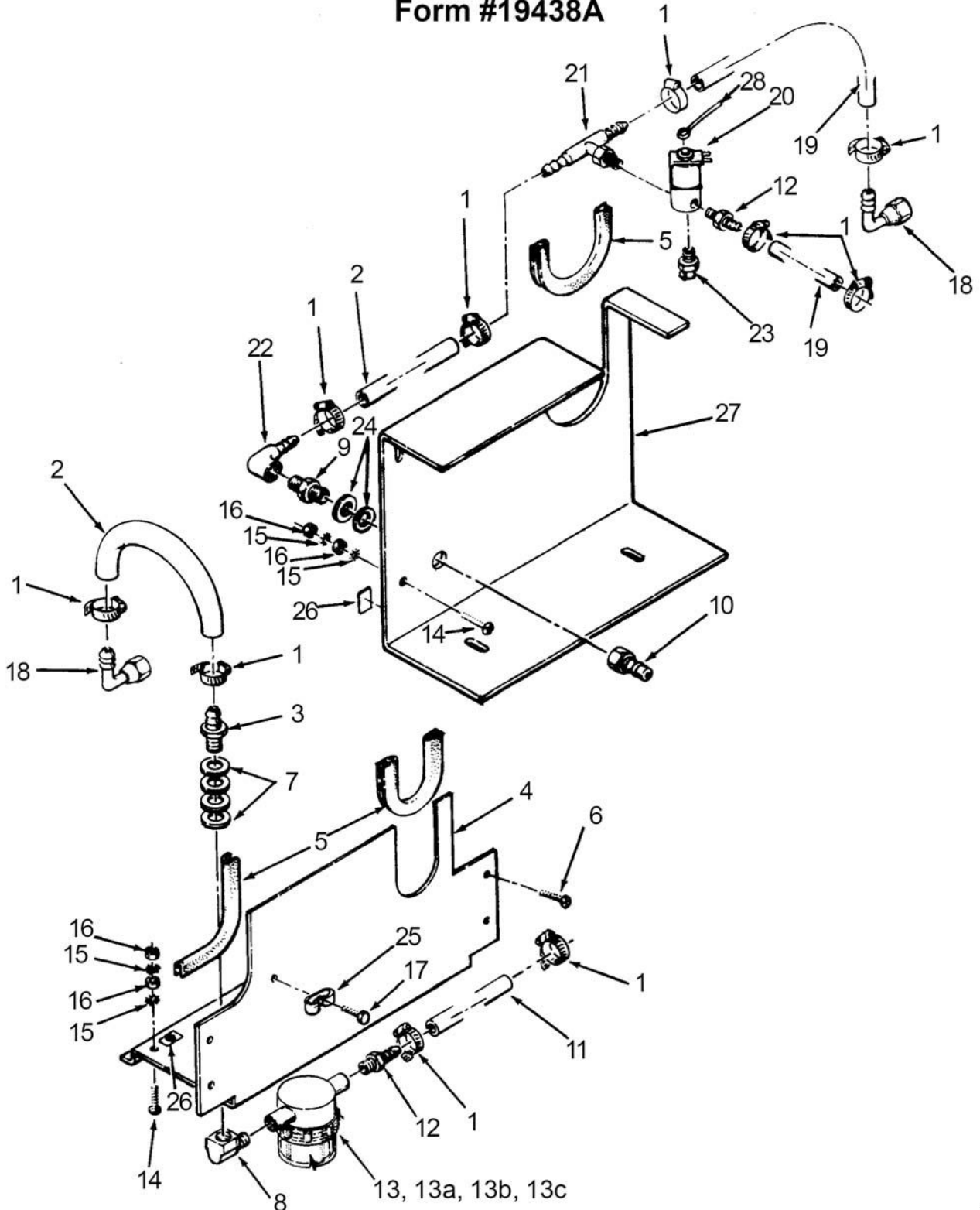
IMAGE 16, IMAGE 20 230V

08-12-2012

Part List ID
IMAGE1628

31

Drawing and Parts List, Valve Assembly 4/99 Form #19438A



Valve ass. IMAGE 16

IMAGE 16, IMAGE 20 230V

08-12-2012

Part List ID
IMAGE16Z8

32

Pos	Part no.	Qty	Description
1	722030	10	CLAMP HOSE 6
2	30425A	2	HOSE AIR 3/8 I.D. X 5/8 O.D.
3	170030	1	HOSEBARB3/8H X 1/4MPT BRASS
4	68665A	1	SUPPORTFILTERPNTD IMAGE 16
5	839204	2	TRIM-FRAME
6	85395A	4	SCREW 1/4 20 X 1/2 PAN HD SS
7	980410	4	WASHER STAINLESS STEEL
8	170040	1	ELBOW STREET 1/4 90 DEG BRASS
9	697501	1	REDUCER 1/4 NPT TO 1/8 NPT
10	737140	1	QUICK DISCONNECT 7809 915 1/8
11	35172B	1	HOSE DISCHARGE INTAKE
12	53619A	2	ADAPTOR 3/8 BARB X 1/4 NPT NYL
13	53050A	1	STRAINER BOWL100X100MESH LOW
15	980603	4	WASHER LK 10 EXT TOOTHPLTD
16	920224	4	NUT 10X32 HEX
17	962987	1	SCR 10 24X 3/8 PN ST TYP23
18	692870	2	ELBOW SWIVEL BARB 937A
19	35147A	2	HOSESOL3/8X14EXT 771 SII
20	59787B	1	VALVESOLUTION IMAGE 230V
21	59016A	1	TEE BRANCH 1/4 X 3/8 NYLON
22	53617A	1	ELBOW1/4 FPT X 3/8 HOSE BARB
23	50328A	1	COUPLINGFEMALE Q.D. SHUTOFF
24	170863	2	WASHER FLT 3/8 USS PLTD
25	302101	1	CLIPSTEEL3/8 5/8GRIP RANGE
26	77094A	2	LABEL GROUND SYMBOL
27	68668A	1	PLATEREAR COVERPNTD IMAGE 16
28	49068A	1	WIRESOLENOID GROUND IMAGE 16
13A	58061B	1	FILTER SCREEN
13B	54369A	1	GASKETVITON FOR 53050A
13C	50018A	1	BOWL CLEAR FILTER EXTRACTORS

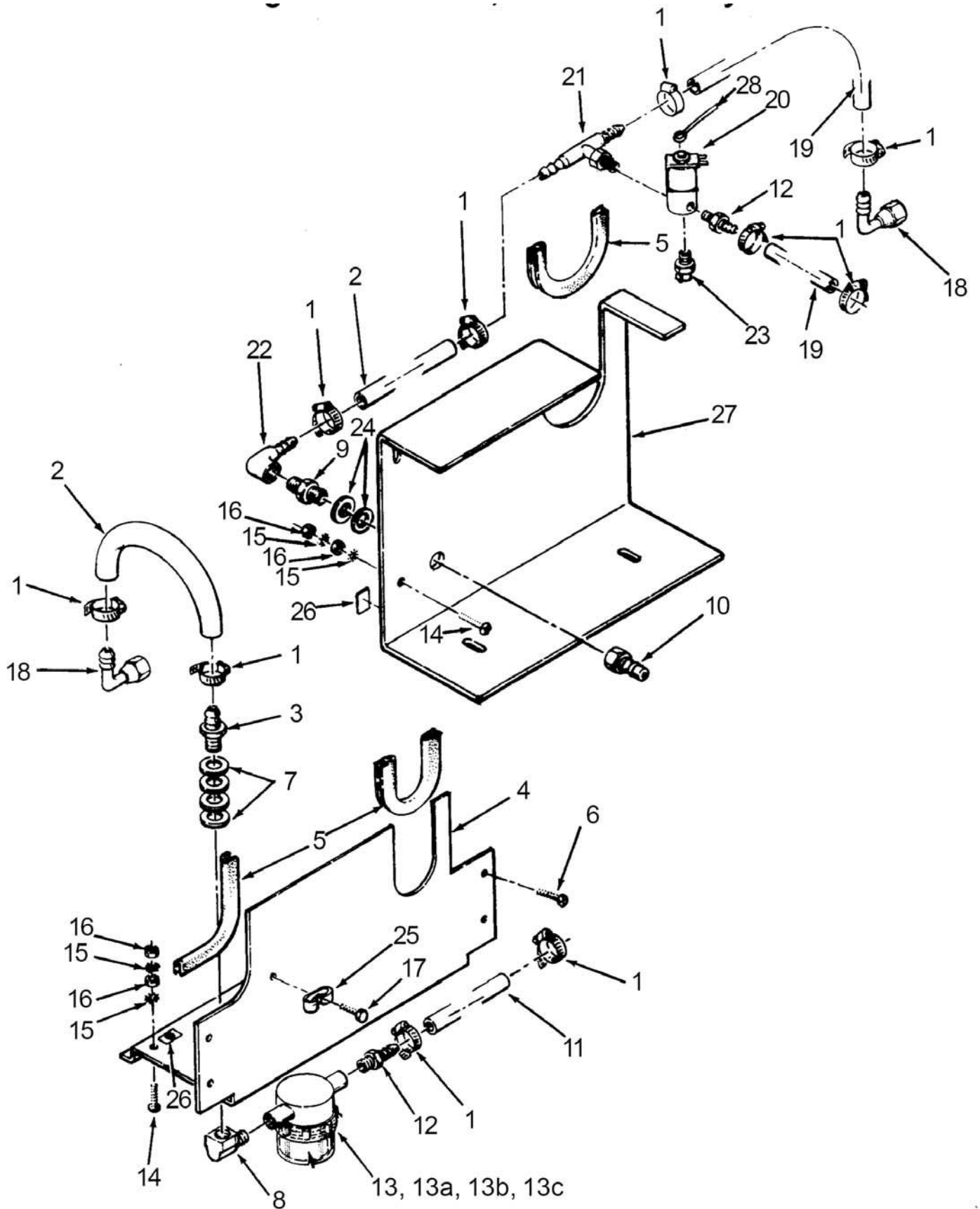
Valve ass. IMAGE20

IMAGE 16, IMAGE 20 230V

08-12-2012

Part List ID
IMAGE1630

33



Valve ass. IMAGE20

IMAGE 16, IMAGE 20 230V

08-12-2012

Part List ID
IMAGE1630

34

Pos	Part no.	Qty	Description
1	722030	10	CLAMP HOSE 6
2	30425A	2	HOSE AIR 3/8 I.D. X 5/8 O.D.
3	170030	1	HOSEBARB3/8H X 1/4MPT BRASS
4	68665A	1	SUPPORTFILTERPNTD IMAGE 16
5	839204	3	TRIM-FRAME
6	85395A	4	SCREW 1/4 20 X 1/2 PAN HD SS
7	980410	4	WASHER STAINLESS STEEL
8	170040	1	ELBOW STREET 1/4 90 DEG BRASS
9	697501	1	REDUCER 1/4 NPT TO 1/8 NPT
10	737140	1	QUICK DISCONNECT 7809 915 1/8
11	35172B	1	HOSE DISCHARGE INTAKE
12	53619A	2	ADAPTOR 3/8 BARB X 1/4 NPT NYL
13	53050A	1	STRAINER BOWL100X100MESH LOW (INCLUDES 13A, B, C)
14	85383A	2	SCREW 10 32 X 3/4 PAN HD
15	980603	4	WASHER LK 10 EXT TOOTHPLTD
16	920224	4	NUT 10X32 HEX
17	962987	1	SCR 10 24X 3/8 PN ST TYP23
18	692870	2	ELBOW SWIVEL BARB 937A
19	35147A	2	HOSESOL3/8X14EXT 771 SII
20	59787B	1	VALVESOLUTION IMAGE 230V
21	59016A	1	TEE BRANCH 1/4 X 3/8 NYLON
22	53617A	1	ELBOW1/4 FPT X 3/8 HOSE BARB
23	50328A	1	COUPLINGFEMALE Q.D.SHUTOFF
24	170863	2	WASHER FLT 3/8 USS PLTD
25	302101	1	CLIPSTEEL3/8 5/8GRIP RANGE
26	77094A	2	LABEL GROUND SYMBOL
27	68668A	1	PLATEREAR COVERPNTD IMAGE 16
28	49068A	1	WIRESOLENOID GROUND IMAGE 16
13A	58061B	1	FILTER SCREEN
13B	54369A	1	GASKETVITON FOR 53050A
13C	50018A	1	BOWL CLEAR FILTER EXTRACTORS

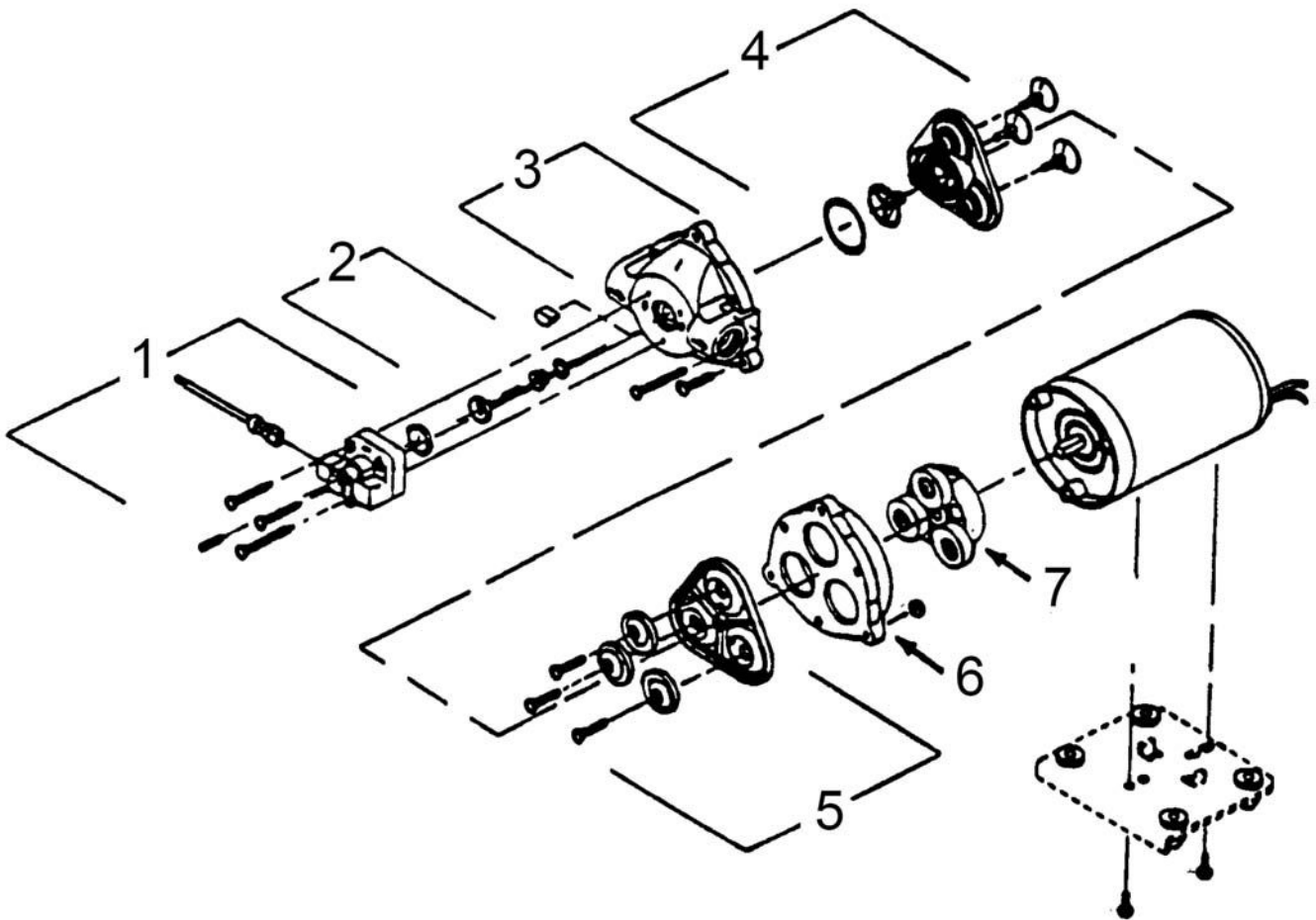
Pump IMAGE 16

IMAGE 16, IMAGE 20 230V

08-12-2012

Part List ID
IMAGE1632

35



Pump IMAGE 16

IMAGE 16, IMAGE 20 230V

08-12-2012

Part List ID
IMAGE163Z

36

Pos	Part no.	Qty	Description
1	53056A	1	SWITCH KIT 80/100 PSI
2	55374A	1	DUAL CHECK VALVE KIT
3	54881A	1	HOUSING UPPER 8000 SERIES MAL
4	59783A	1	VALVE KIT
5	53205A	1	DIAPHRAGM KIT
6	54882A	1	HOUSING LOWER PUMP 115V
7	52909A	1	CAM DRIVE ASM. 2.5 DEGREE

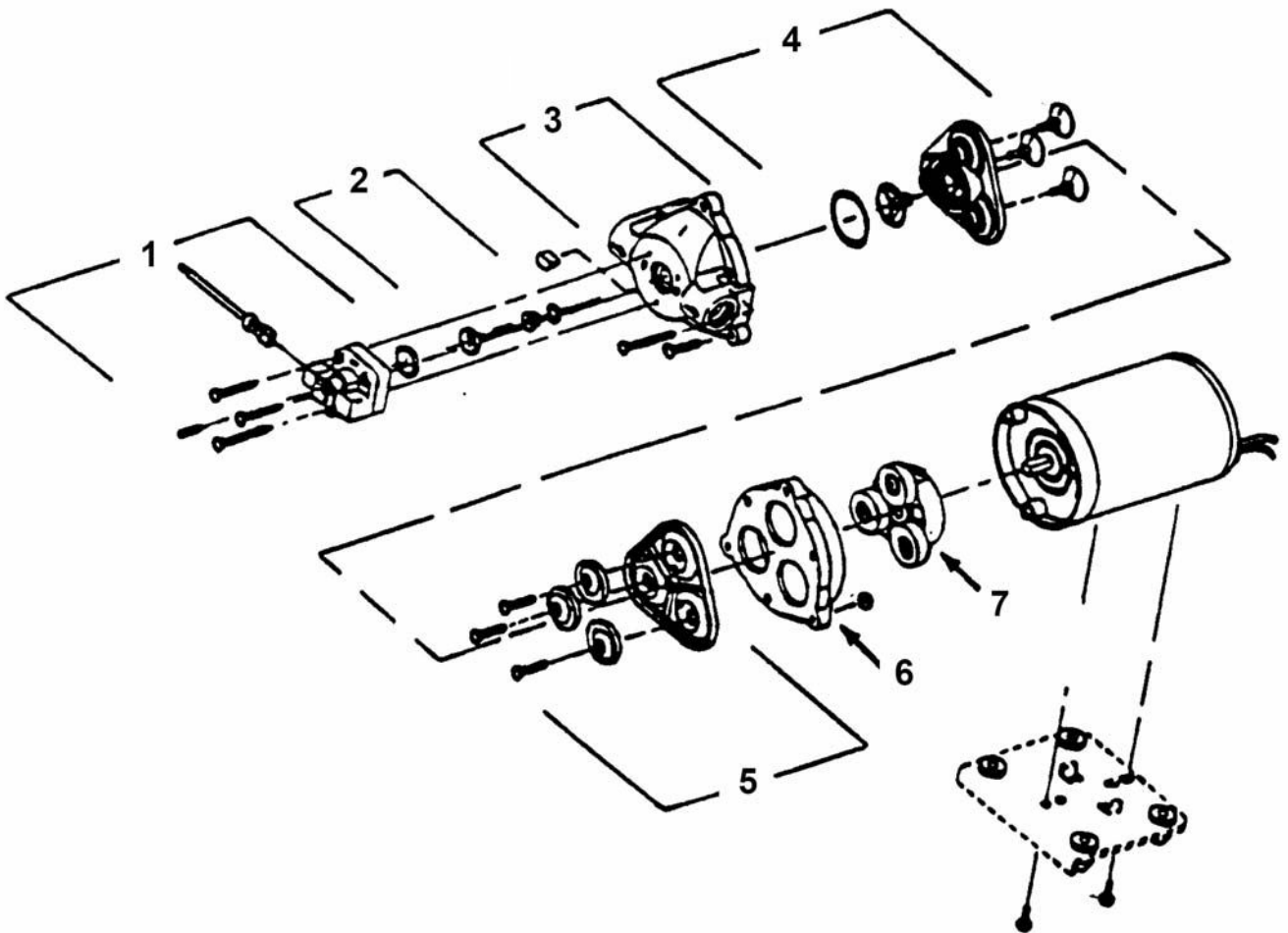
Pump IMAGE 20

IMAGE 16, IMAGE 20 230V

08-12-2012

Part List ID
IMAGE1634

37



Pump IMAGE 20

IMAGE 16, IMAGE 20 230V

08-12-2012

Part List ID
IMAGE1634

38

Pos	Part no.	Qty	Description
1	53056A	1	SWITCH KIT 80/100 PSI
2	55374A	1	DUAL CHECK VALVE KIT
3	54881A	1	HOUSING UPPER 8000 SERIES MAL
4	59783A	1	VALVE KIT
5	53205A	1	DIAPHRAGM KIT
6	54882A	1	HOUSING LOWER PUMP 115V
7	52909A	1	CAM DRIVE ASM. 2.5 DEGREE

Motor IMAGE 16

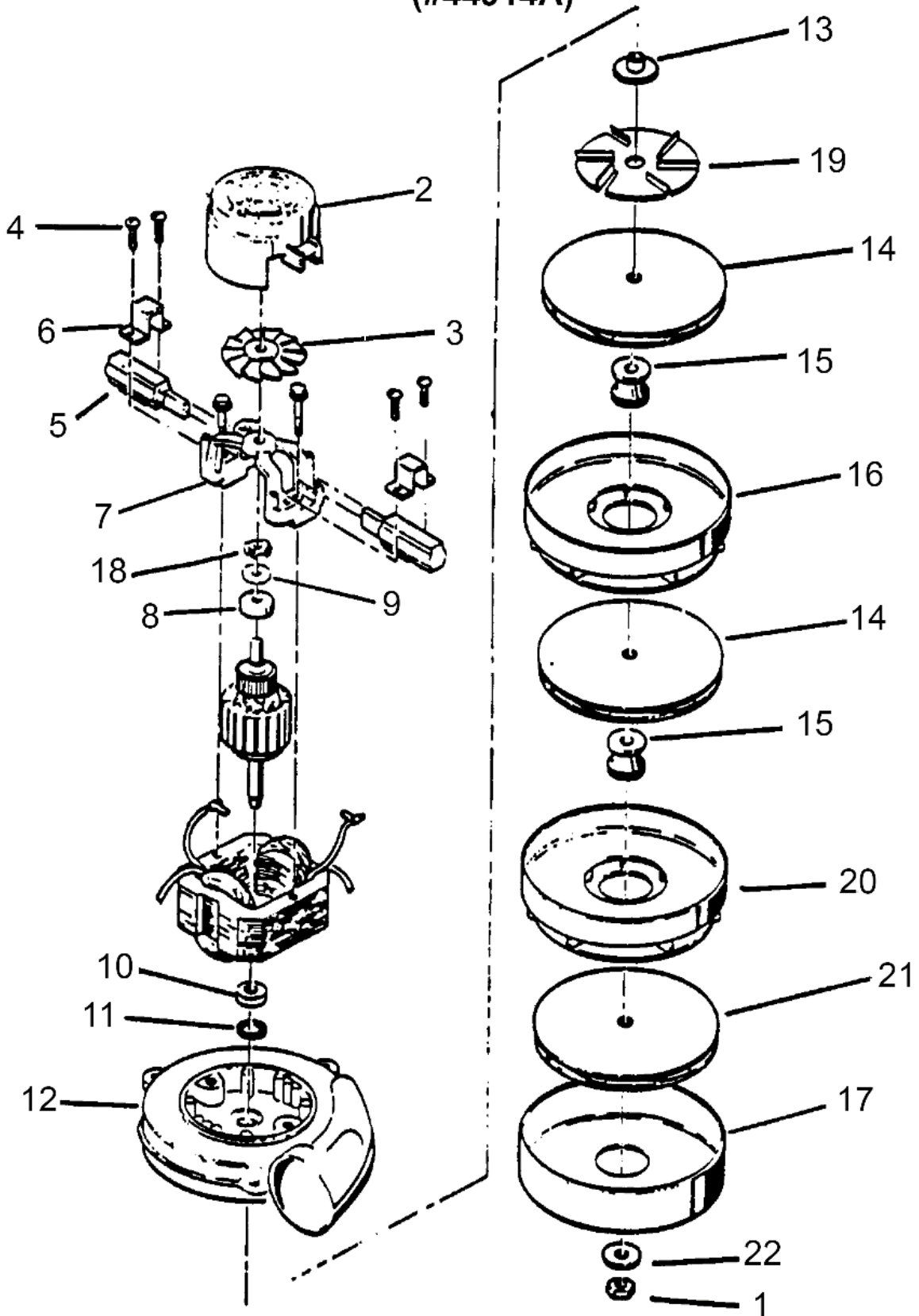
IMAGE 16, IMAGE 20 230V

08-12-2012

Part List ID
IMAGE1636

39

Motor Drawing and Parts List 7/95 (#44914A)



Motor IMAGE 16

IMAGE 16, IMAGE 20 230V

08-12-2012

Part List ID
IMAGE1636

40

Pos	Part no.	Qty	Description
1		1	NOTE COMMENT NUT
2		1	NOTE COMMENT HOUSING VENT
3		1	NOTE COMMENT FAN
4	85303A	4	SCREW 8 32 X 3/8 PN ST PH
5	40813A	2	BRUSHCARBON230V VAC MTR441
6	51914A	2	CLAMP
7	50618A	1	BRACKET-END COMM.
8		1	NOTE COMMENT BEARING
10		1	NOTE COMMENT BEARING
11		1	NOTE COMMENT WASHER
12		1	NOTE COMMENT BRACKET, FAN END
13		1	NOTE COMMENT SPACER
15		2	NOTE COMMENT SPACER
16		1	NOTE COMMENT FAN, STATIONARY
17		1	NOTE COMMENT SHELL, FAN
20		1	NOTE COMMENT FAN, STATIONARY
21		1	NOTE COMMENT FAN, ROTATING
22		1	NOTE COMMENT WASHER

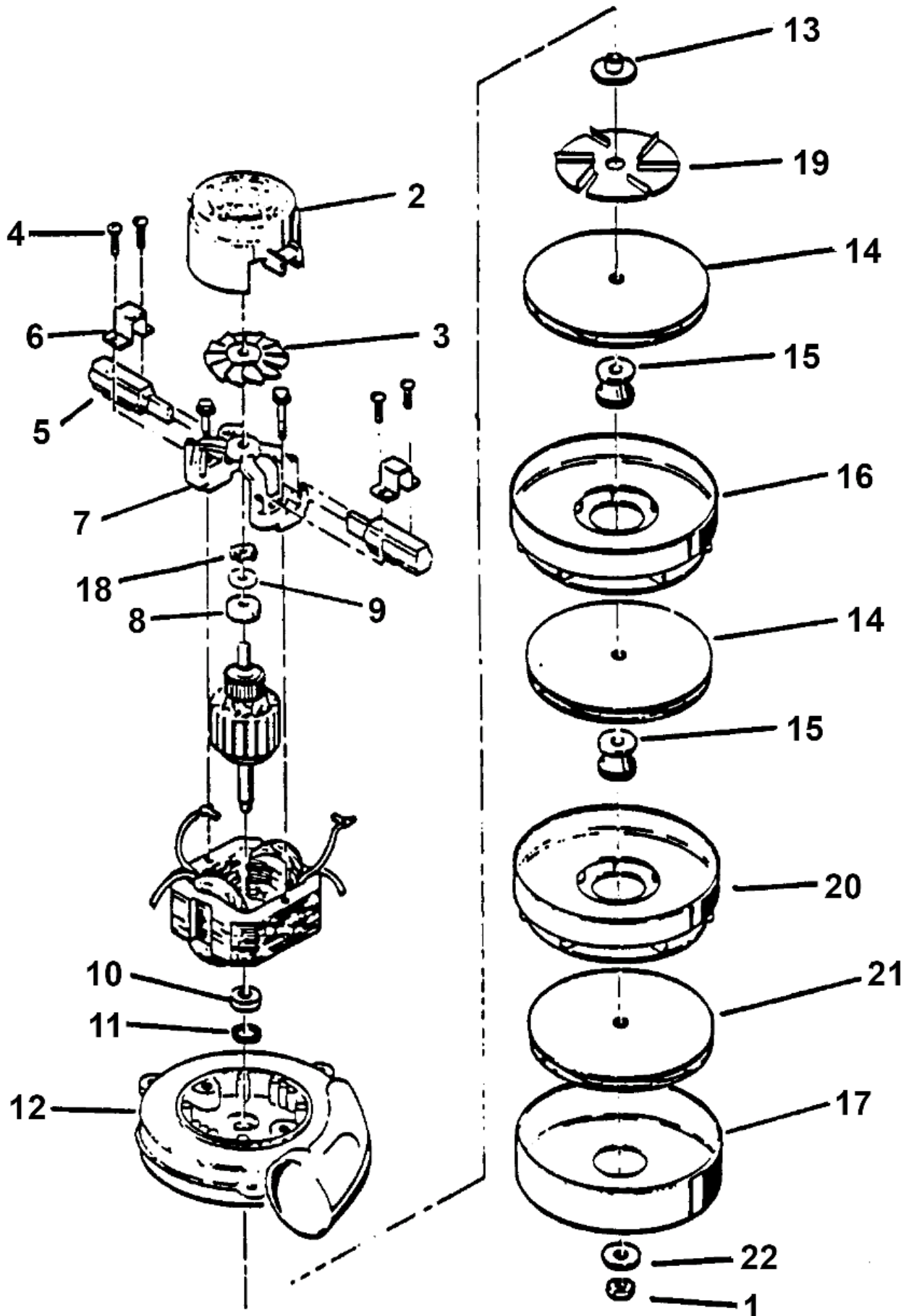
Motor IMAGE 20

IMAGE 16, IMAGE 20 230V

08-12-2012

Part List ID
IMAGE1638

41



Motor IMAGE 20

IMAGE 16, IMAGE 20 230V

08-12-2012

Part List ID
IMAGE1638

42

Pos	Part no.	Qty	Description
1		1	NOTE COMMENT NUT
2		1	NOTE COMMENT HOUSING VENT FAN
3		1	NOTE COMMENT
4	85303A	4	SCREW 8 32 X 3/8 PN ST PH
5	40813A	2	BRUSHCARBON230V VAC MTR441
6	51914A	2	CLAMP
7	50618A	1	BRACKET-END COMM.
8		1	NOTE COMMENT BEARING
10		1	NOTE COMMENT BEARING
11		1	NOTE COMMENT WASHER
12		1	NOTE COMMENT BRACKET, FAN END
13		1	NOTE COMMENT SPACER
14		2	NOTE COMMENT FAN, ROTATING
15		2	NOTE COMMENT SPACER
16		1	NOTE COMMENT FAN, STATIONARY
17		1	NOTE COMMENT SHELL, FAN
20		1	NOTE COMMENT FAN, STATIONARY
21		1	NOTE COMMENT FAN, ROTATING
22		1	NOTE COMMENT WASHER