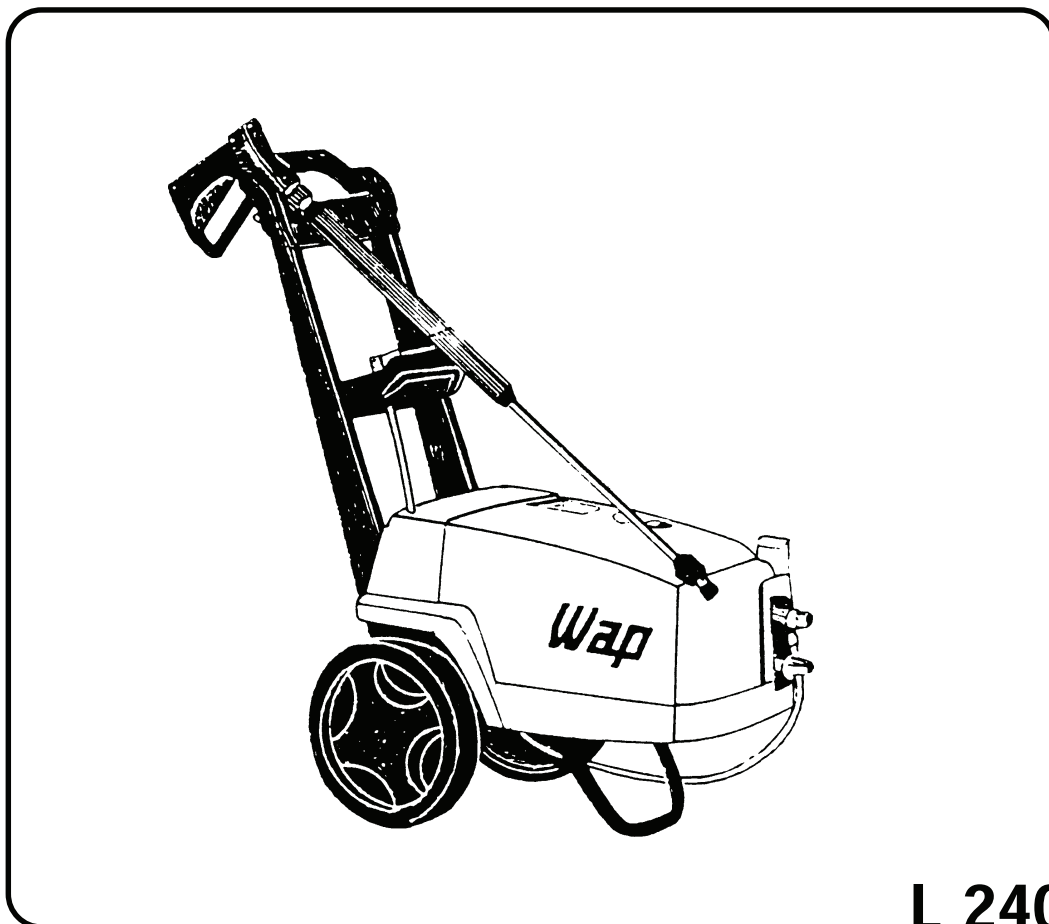


Wap[®]

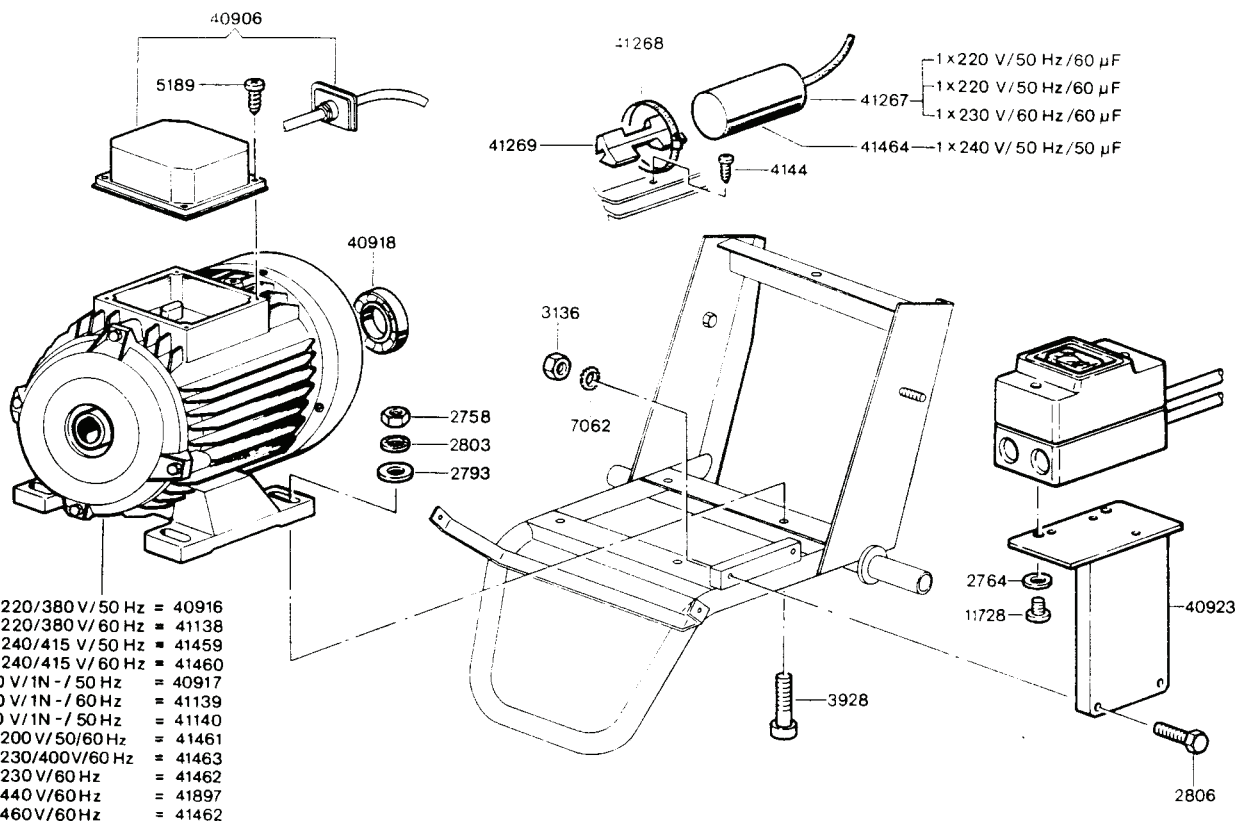
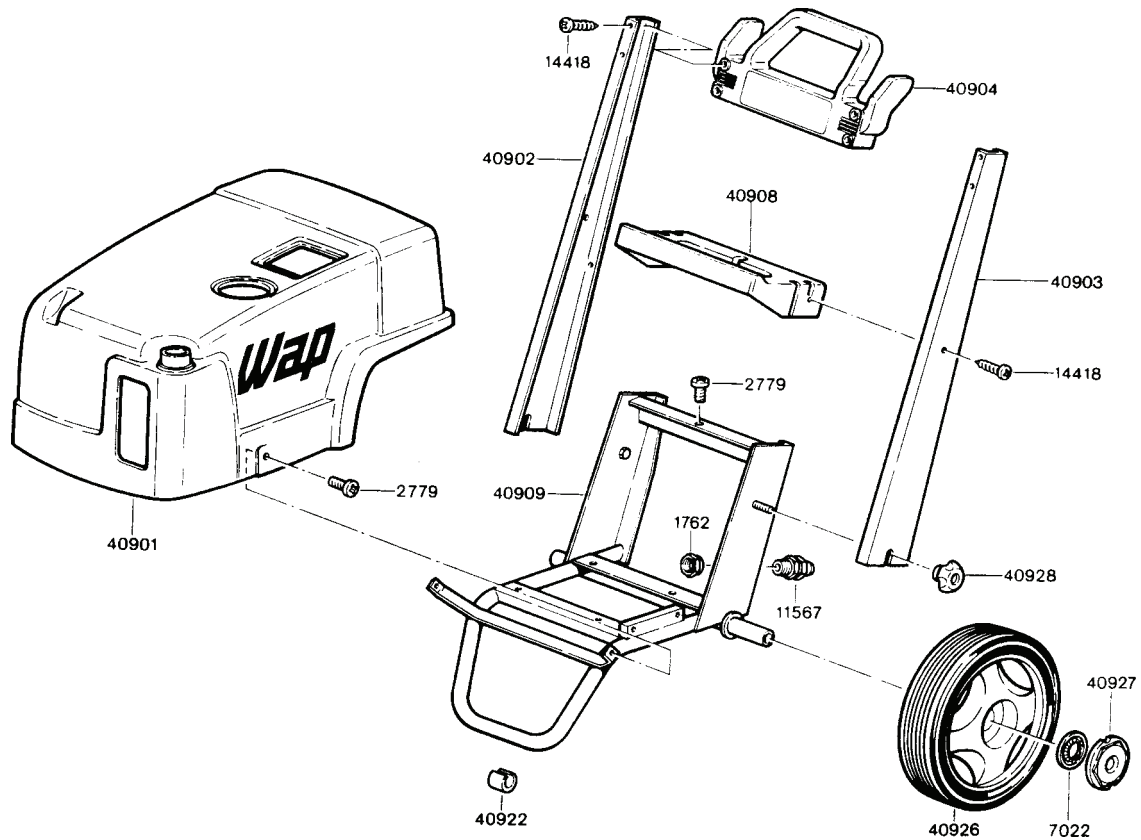
Ersatzteilliste Spare Parts List Pièces détachées



L 2400

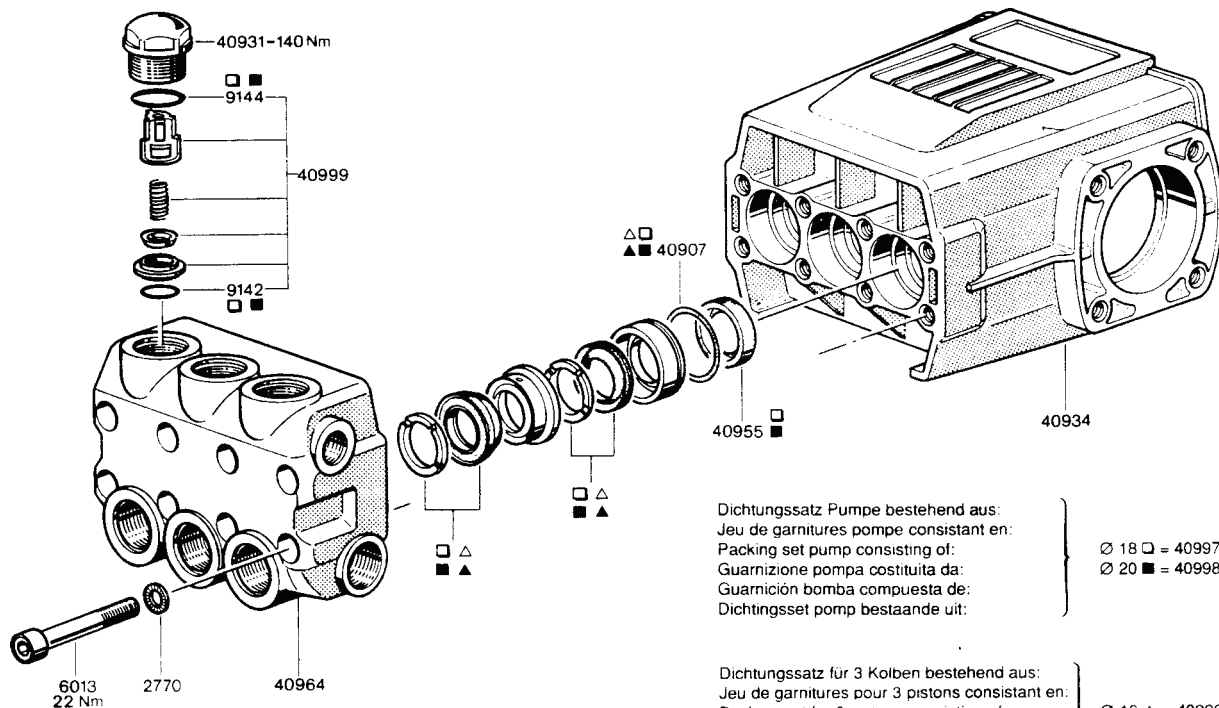
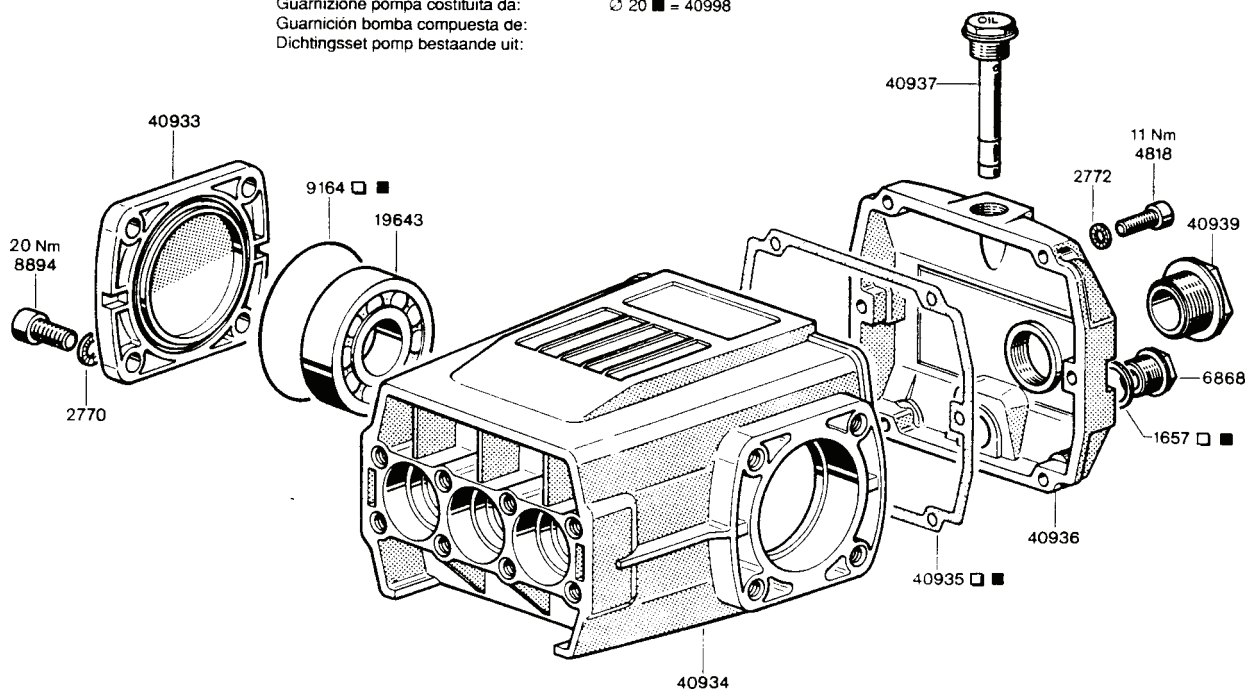
62280
010698

Ersatzteile auf www.gluesing.net



Dichtungssatz Pumpe bestehend aus:
 Jeu de garnitures pompe consistant en:
 Packing set pump consisting of:
 Guarnizione pompa costituita da:
 Guarnición bomba compuesta de:
 Dichtingsset pomp bestaande uit:

∅ 18 ◻ = 40997
 ∅ 20 ◼ = 40998



Dichtungssatz Pumpe bestehend aus:
 Jeu de garnitures pompe consistant en:
 Packing set pump consisting of:
 Guarnizione pompa costituita da:
 Guarnición bomba compuesta de:
 Dichtingsset pomp bestaande uit:

∅ 18 ◻ = 40997
 ∅ 20 ◼ = 40998

Dichtungssatz für 3 Kolben bestehend aus:
 Jeu de garnitures pour 3 pistons consistant en:
 Packing set for 3 pistons consisting of:
 Guarnizione per 3 pistoni costituita da:
 Guarnición para 3 émbolos compuesta de:
 Dichtingsset voor 3 pluniers bestaande uit:

∅ 18 ◻ = 40993
 ∅ 20 ◼ = 40994

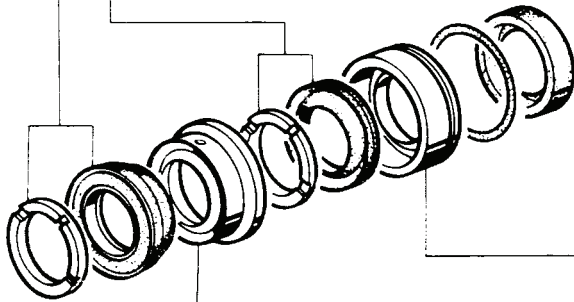
	▲	□	△
	Ø 20	Ø 18	
	41456	41457	
3 x 220/380 V/50 Hz	●	●	
3 x 220/380 V/60 Hz	●	●	
3 x 240/415 V/50 Hz	●	●	
3 x 240/415 V/60 Hz	●	●	
220 V/1N - / 50 Hz	●	●	
230 V/1N - / 60 Hz	●	●	
240 V/1N - / 50 Hz	●	●	
3 x 200V/50/60 Hz	●	●	
3 x 230/400V/60 Hz	●	●	
3 x 230 V/60 Hz	●	●	
3 x 440 V/60 Hz	●	●	
3 x 460V/60 Hz	●	●	

Dichtungssatz Pumpe bestehend aus:
 Jeu de garnitures pompe consistant en:
 Packing set pump consisting of:
 Guarnizione pompa costituita da:
 Guarnición bomba compuesta de:
 Dichtingsset pomp bestaande uit:

Ø 18 □ = 40997
 Ø 20 ■ = 40998

Dichtungssatz für 3 Kolben bestehend aus:
 Jeu de garnitures pour 3 pistons consistant en:
 Packing set for 3 pistons consisting of:
 Guarnizione per 3 pistoni costituita da:
 Guarnición para 3 émbolos compuesta de:
 Dichtingsset voor 3 plunjers bestaande uit:

Ø 18 △ = 40993
 Ø 20 ▲ = 40994



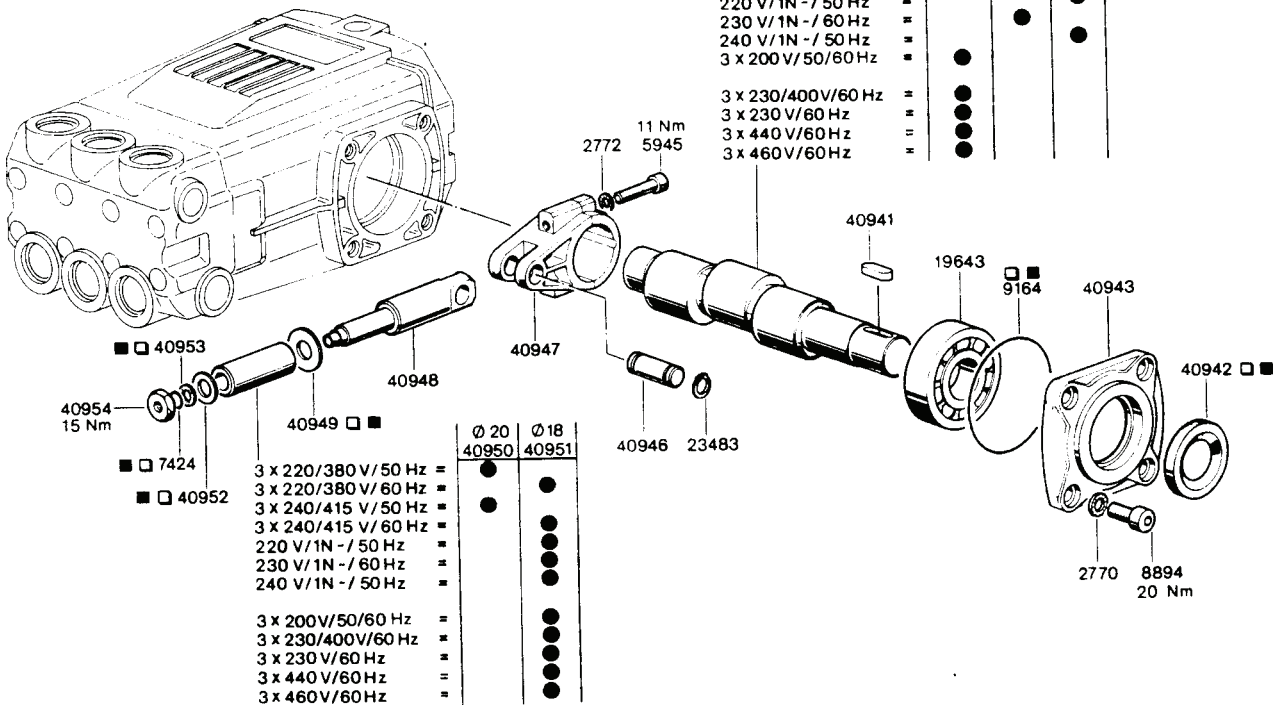
	Ø 20	Ø 18
	40962	40963
3 x 220/380 V/50 Hz	●	●
3 x 220/380 V/60 Hz	●	●
3 x 240/415 V/50 Hz	●	●
3 x 240/415 V/60 Hz	●	●
220 V/1N - / 50 Hz	●	●
230 V/1N - / 60 Hz	●	●
240 V/1N - / 50 Hz	●	●
3 x 200V/50/60 Hz	●	●
3 x 230/400V/60 Hz	●	●
3 x 230 V/60 Hz	●	●
3 x 440 V/60 Hz	●	●
3 x 460V/60 Hz	●	●

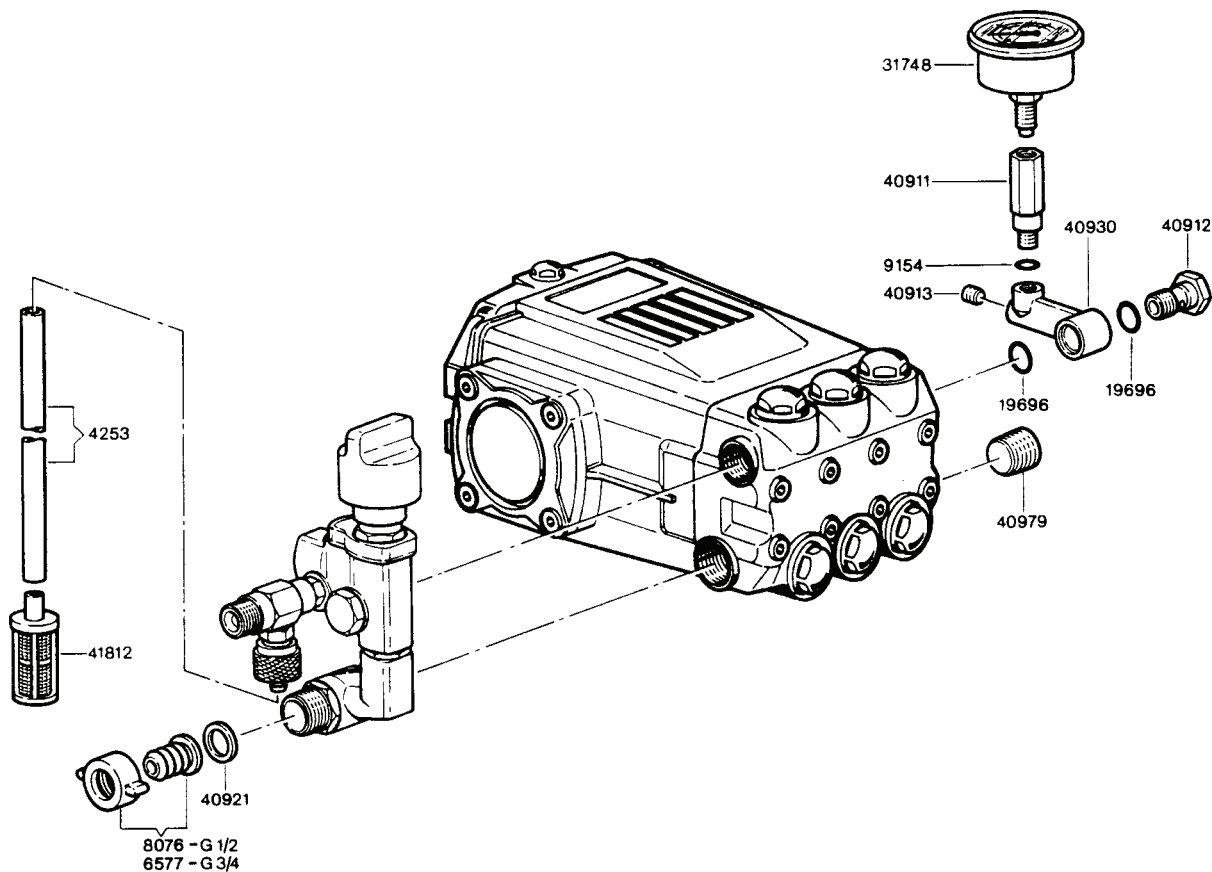
	Ø 20	Ø 18
	40960	40961
3 x 220/380 V/50 Hz	●	●
3 x 220/380 V/60 Hz	●	●
3 x 240/415 V/50 Hz	●	●
3 x 240/415 V/60 Hz	●	●
220 V/1N - / 50 Hz	●	●
230 V/1N - / 60 Hz	●	●
240 V/1N - / 50 Hz	●	●
3 x 200V/50/60 Hz	●	●
3 x 230/400V/60 Hz	●	●
3 x 230 V/60 Hz	●	●
3 x 440 V/60 Hz	●	●
3 x 460V/60 Hz	●	●

Dichtungssatz Pumpe bestehend aus:
 Jeu de garnitures pompe consistant en:
 Packing set pump consisting of:
 Guarnizione pompa costituita da:
 Guarnición bomba compuesta de:
 Dichtingsset pomp bestaande uit:

Ø 18 □ = 40997
 Ø 20 ■ = 40998

	40944	40945	41178
3 x 220/380 V/50 Hz	●		
3 x 220/380 V/60 Hz	●		
3 x 240/415 V/50 Hz	●		
3 x 240/415 V/60 Hz	●		
220 V/1N - / 50 Hz	●		
230 V/1N - / 60 Hz	●	●	
240 V/1N - / 50 Hz	●		●
3 x 200V/50/60 Hz	●		
3 x 230/400V/60 Hz	●		
3 x 230 V/60 Hz	●		
3 x 440 V/60 Hz	●		
3 x 460V/60 Hz	●		





Reparatursatz für Regelsicherheitsblock

bestehend aus:

* 61082
Jeu de réparation pour le bloc régulateur de sécurité

consistant en:

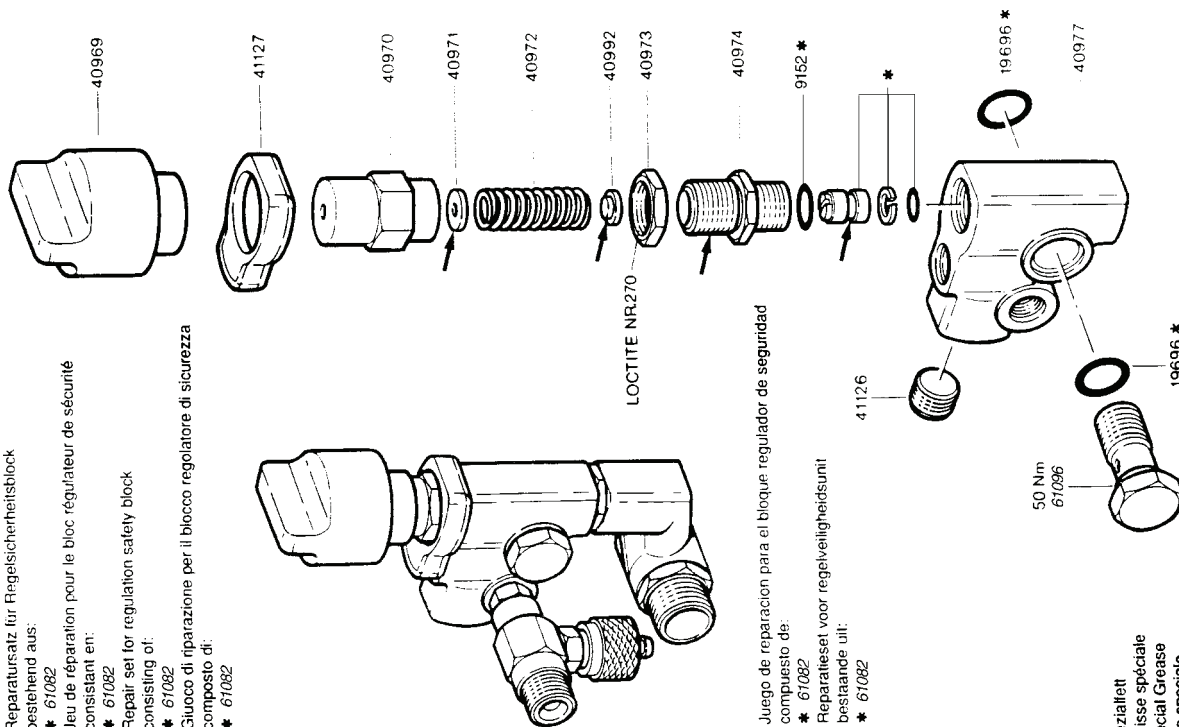
* 61082
Repair set for regulation safety block

consisting of:

* 61082
Gioco di riparazione per il blocco regolatore di sicurezza

composto di:

* 61082



Juego de reparación para el bloque regulador de seguridad

compuesto de:

* 61082
Reparatieset voor regelveiligheidsunit

bestaande uit:

* 61082

Spezialfett

Grasse spéciale

Special Grease

Umo speciale

Grasa especial

Speciaal Vet

↓ 41455 50g

