

# EXT 311 - 515

---

Model:  
EXT 311

EXT 311

EXT 515

Part List US-English

23-01-2013

**Nilfisk**  
**ALTO**  
works for you

[www.nilfisk-alto.com](http://www.nilfisk-alto.com)

Ersatzteile auf [www.gluesing.net](http://www.gluesing.net)

# Table of Contents

EXT 311 - 515

<b>EXT 311 - Machine Variables and Accessories 1/00</b>	<b>3</b>
<b>EXT 311 - Assembly 2/99</b>	<b>5</b>
<b>EXT 311 - Base Assembly 1/00</b>	<b>7</b>
<b>EXT 311 - Solution Tank 1/00</b>	<b>10</b>
<b>EXT 311 - 10 Ft. Hose Assembly PN. 59232A 11/98</b>	<b>12</b>
<b>EXT 311 - Pump PN. 45928A - 100PSI/120V</b>	<b>14</b>
<b>EXT 311 - Motor 230V PN. 44924A 11/98</b>	<b>16</b>
<b>EXT 515 - Assembly</b>	<b>18</b>
<b>EXT 515 - Assembly NO. 2 5/86</b>	<b>21</b>
<b>EXT 515 - 10Ft. Hose Assembly 5/86</b>	<b>23</b>
<b>EXT 515 - Pump Replacement 5/86</b>	<b>25</b>
<b>EXT 515 - Motor 120V PN. 44906A 9/98</b>	<b>27</b>
<b>EXT 515 - Motor 230V PN. 44907A 9/98</b>	<b>29</b>

# EXT 311 - Machine Variables and Accessories 1

EXT 311 - 515

23-01-2013

Part List ID

EXT311

3

## Variable Code

<b>04090A</b>	<i>Breakdown:</i>	04090A	EXT 311 Base 120V
<b>04091A</b>	<i>Breakdown:</i>	04090A 59230A ◆	EXT 311 Base 120V 8" Plastic Wand Floor Tool
<b>04092A</b>	<i>Breakdown:</i>	04090A 59229A ◆	EXT 311 Base 120V 12" Metal Floor Tool
<b>04093A</b>	<i>Breakdown:</i>	04090A 04016A	EXT 311 Base 120V PB-12 Power Brush 120V
<b>04095A</b>	<i>Breakdown:</i>	04095A	EXT 311 Base 230V
<b>04096A</b>	<i>Breakdown:</i>	04095A 59230A ◆	EXT-311 Base 230V 8" Plastic Wand Floor Tool
<b>04097A</b>	<i>Breakdown:</i>	04095A 59229A ◆	EXT-311 Base 230V 12" Metal Floor Tool
<b>04098A</b>	<i>Breakdown:</i>	04095A 04017A	EXT-311 Base 230V PB-12 Power Brush 230V

## ACCESSORIES

Descriptions	Part No.
Clarkare® Concentrate - case (4-1 gal.)	398425
Defoamer - case (4-1 gal.)	398426
Traffic Lane Spotter - case (4-1 gal.)	398427
Upkeep Shampoo - case (4-1 gal.)	398430
Carpet Dryer Standard	04128A
Carpet Dryer Deluxe	04130A
4" Metal Hand Tool	59228A ◆
4" Plastic Hand Tool	59231A ◆
4" Hand Tool & Hose Assembly	55173A ◆
8" Plastic Wand Floor Tool	59230A ◆
12" Metal Floor Tool	59229A ◆
PB - 12 Power Brush 12"	04016B
10' Vac-Solution Hose Assembly	59232A ◆
20' Vac-Solution Hose Assembly	55183A ◆
1½ to 1½" Coupler	682408

# EXT 311 - Machine Variables and Accessories 1

EXT 311 - 515

23-01-2013

Part List ID

EX1311

4

Pos	Part no.	Qty	Description
3	59230A	1	TOOLFLOOR WANDPLASTIC 8
5	59229A	1	TOOLFLOOR METAL 12
10	59230A	1	TOOLFLOOR WANDPLASTIC 8
13	59232A	1	HOSE ASSYVAC SOL 10
51	398425	1	CLARKARE CONC CASE 4 GAL
52	398426	1	CLARKCARE CASE 4 GAL D/F
53	398427	1	CLARKCARE CASE 4 GAL T/L
54	398430	1	UPKEEP CASE 4 GALLONS
57	59228A	1	TOOLHAND 4 METAL
58	56220109	1	HAND TOOL <span style="float: right;">Replaces 59231A</span>
59	55173A	1	TOOL AND HOSE ASSY HAND 4
60	59230A	1	TOOLFLOOR WANDPLASTIC 8
61	59229A	1	TOOLFLOOR METAL 12
62	59229A	1	TOOLFLOOR METAL 12
64	55183A	1	HOSE ASSYVAC SOL 20FT.
65	682408	1	HOSE CONNECTOR 1 1/2 TB60/80

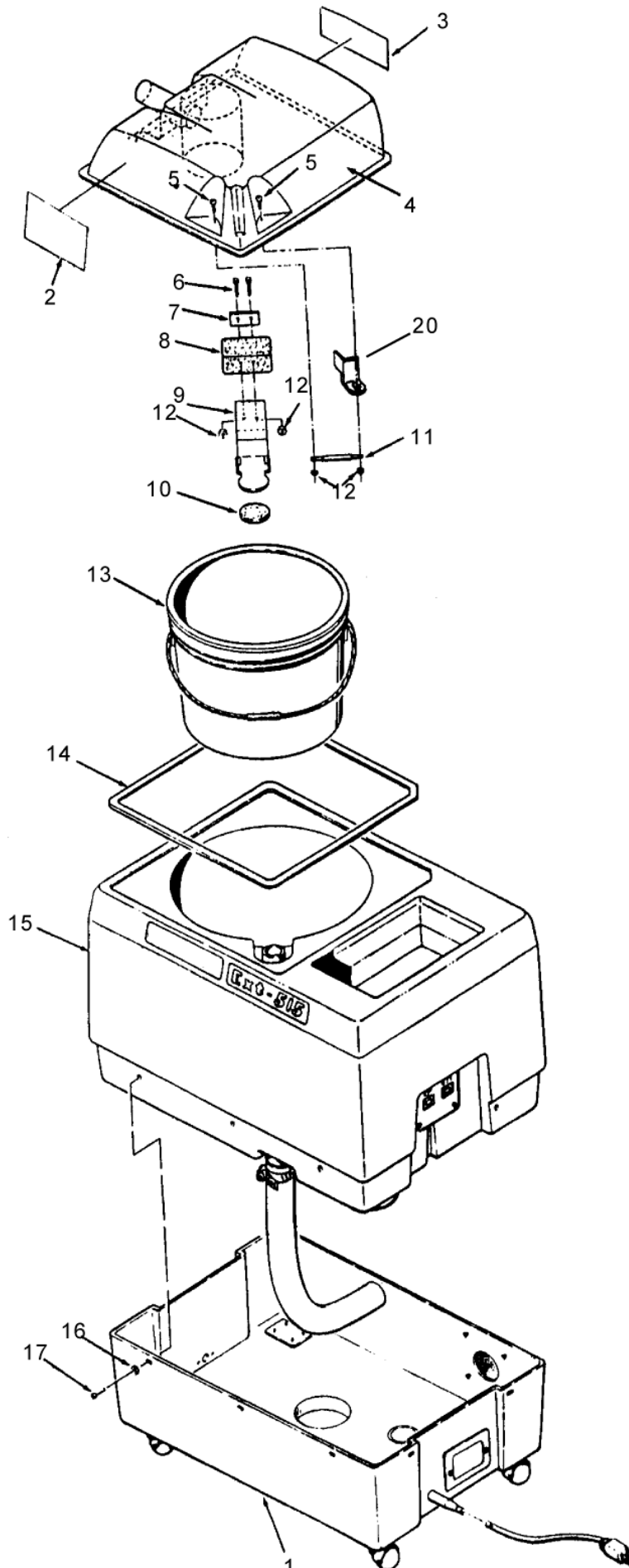
# EXT 311 - Assembly 2/99

EXT 311 - 515

23-01-2013

Part List ID  
EXT31101

5



# EXT 311 - Assembly 2/99

EXT 311 - 515

23-01-2013

Part List ID  
EX131101

6

Pos	Part no.	Qty	Description	
0	13001C	1	DOME ASM. W/ GASKET/LABELS EX	REFERENCE, INCLUDES POS. 2,3,4
0	699203	1	TAG CAUTION	
1		1	NOTE COMMENT	PAGE 16-17
2	73289B	1	LABEL WARNING EXT 311 515	
3	73290A	1	LABEL OPERATING INST	
4	32504C	1	DOMERECOVERYEXT 311/515	
5	962027	2	SCREW 8 32 X 1/2 PAN HD	
6	85350A	2	SCREW 8 32 X 2.50 PAN HEAD	
7	62401A	1	CLAMP FLOAT	
8	33801A	1	FLOAT	
9	61110B	1	BRACKET FLOAT	
10	34213A	1	GASKET FLOAT SHUT OFF	
11	67104A	1	ROD FLOAT PIVOT	
12	81109A	4	NUT HEX ELASTIC LOCK SS 8 32	
13	36901A	1	PAIL RECOVERY3 1/2 GAL	
14	34235B	1	GASKETREC.DOMEEXTRUDEEXT 3	
15		1	NOTE COMMENT	PAGE 18
16	980982	10	WASHER 10 SAE FLAT PLTD	
17	85500A	10	SCREW 10-32X1/2PN ST THD PT PH	
18		1	NOTE COMMENT	PAGE 16
19		1	NOTE COMMENT	PAGE 16
20	69431A	1	BRACKET TANK RETAINING EXT 3	

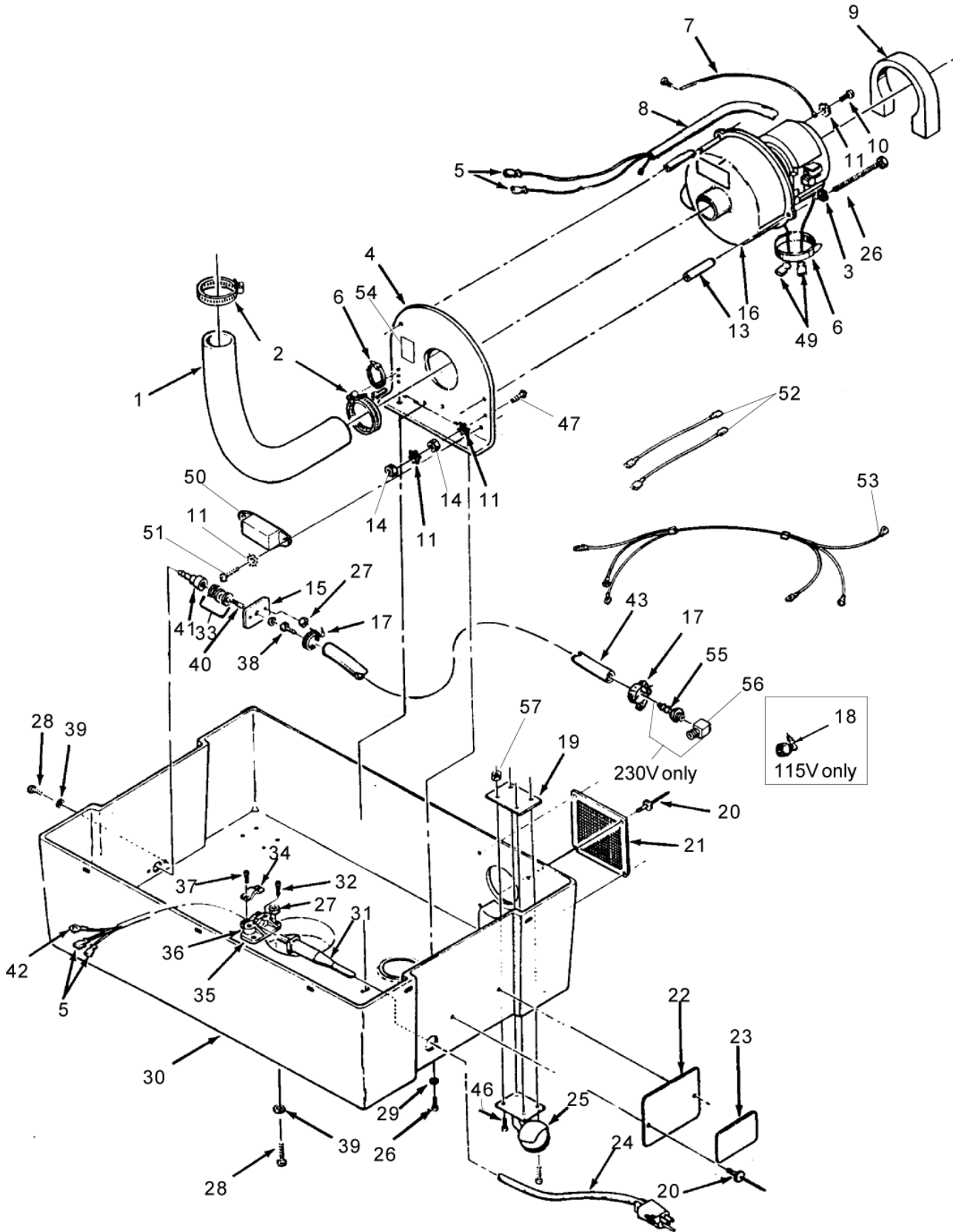
# EXT 311 - Base Assembly 1/00

EXT 311 - 515

23-01-2013

Part List ID  
EXT31102

7



# EXT 311 - Base Assembly 1/00

EXT 311 - 515

23-01-2013

Part List ID

EXI3110Z

8

Pos	Part no.	Qty	Description	
1	35131A	1	HOSE VACUUM	
2	752020	2	CLAMP 450 SHAMPOOER VAC	
3	980646	3	WASHER 1/4 SAE FLAT PLTD	
5	47711A	2	TERMINAL1/4 FIFQD 16/14 GA	
6	699202	2	TIE WIRE 935A	
7	954010	1	WIRE ASSEMBLY 16 GREEN 937A	
9	34234A	1	GASKET INTAKE AIR	
10	962546	1	SCR 10 24X 1/2 PN ST TYP23	
11	980603	3	WASHER LK 10 EXT TOOTHPLTD	
13	58534A	3	SPACERVAC MOTOR2 STG. SUMMI	
15	66617A	1	PLATE Q.D. MOUNTING	
16	44923A	1	MOTOR VAC 120V IMAGE 14	
16	44924A	1	MOTORVACUUM 230V IMAGE 14	
17	50248A	2	CLAMP 3/8 HOSE	
18	692870	1	ELBOW SWIVEL BARB 937A	115V
20	930074	6	RIVET 1/8 DIA CLOSED END	
22	66634A	1	PLATE LABEL MTG	
23		1	NOTE COMMENT	LABEL, SERIAL NO.
24	42214A	1	CORDSET ROUGH NEMA 5 15/16	
24	42231A	1	CORD POWER SUPPLY CEE 7/7 3	
25	52100A	4	CASTER 2 BALL	
26	962950	3	SCREW 1/4 20X3 PN ST PH	
27	920200	1	NUTHEX 10 24 PLTD	115V ONLY
28	962109	4	SCR 10 24X 5/8 PN SS	
29	980646	5	WASHER 1/4 SAE FLAT PLTD	
30	30801B	1	BASE EXT 311 PLUS	ROTOMOLD
31	38002A	1	STRAIN RELIEF	
32	964003	2	SCREW M5X20 PN ST PH	
33	980645	3	WASHER 3/8 FLAT SAE	
34	672012	1	CLAMP CORD	
35	670811	1	BRACKET STRAIN RELIEF	
36	672011	1	CLAMP STRAIN RELIEF	
37	964005	2	SCREW M5X10 PN ST PH	
38	50300A	1	ADAPTOR 1/8P TO 3/8 HOSE	
39	980982	4	WASHER 10 SAE FLAT PLTD	
40	725729	1	NIPPLE 1/8 CLOSE PIPE	
41	737140	1	QUICK DISCONNECT 7809 915 1/8	
42	170687	1	TERM 10 RING 14/16G	
43	35147A	1	HOSESOL3/8X14EXT 771 SII	
46	962823	1	SCR 1/4 20 X 1/2 PN ST PH	115V ONLY
46	962983	1	SCR 1/4 20X 5/8 PN ST MACH	230V ONLY
47	962113	1	SCR 10 32X1 RD ST MACH	
49	41069B	2	RELAY 24VDC MINI ISO	



# EXT 311 - Base Assembly 1/00

EXT 311 - 515

23-01-2013

Part List ID

EX131102

9

Pos	Part no.	Qty	Description	
50	47201A	1	SUPPRESSOR RF 8A IMAGE 14	CE ONLY
51	962333	1	SCREW 10 32 X 1/4 PN ST PH	CE ONLY
54	77094A	1	LABEL GROUND SYMBOL	CE ONLY
55	56054691	1	ADAPTER BARB MALE E00039 BRASS	230V ONLY

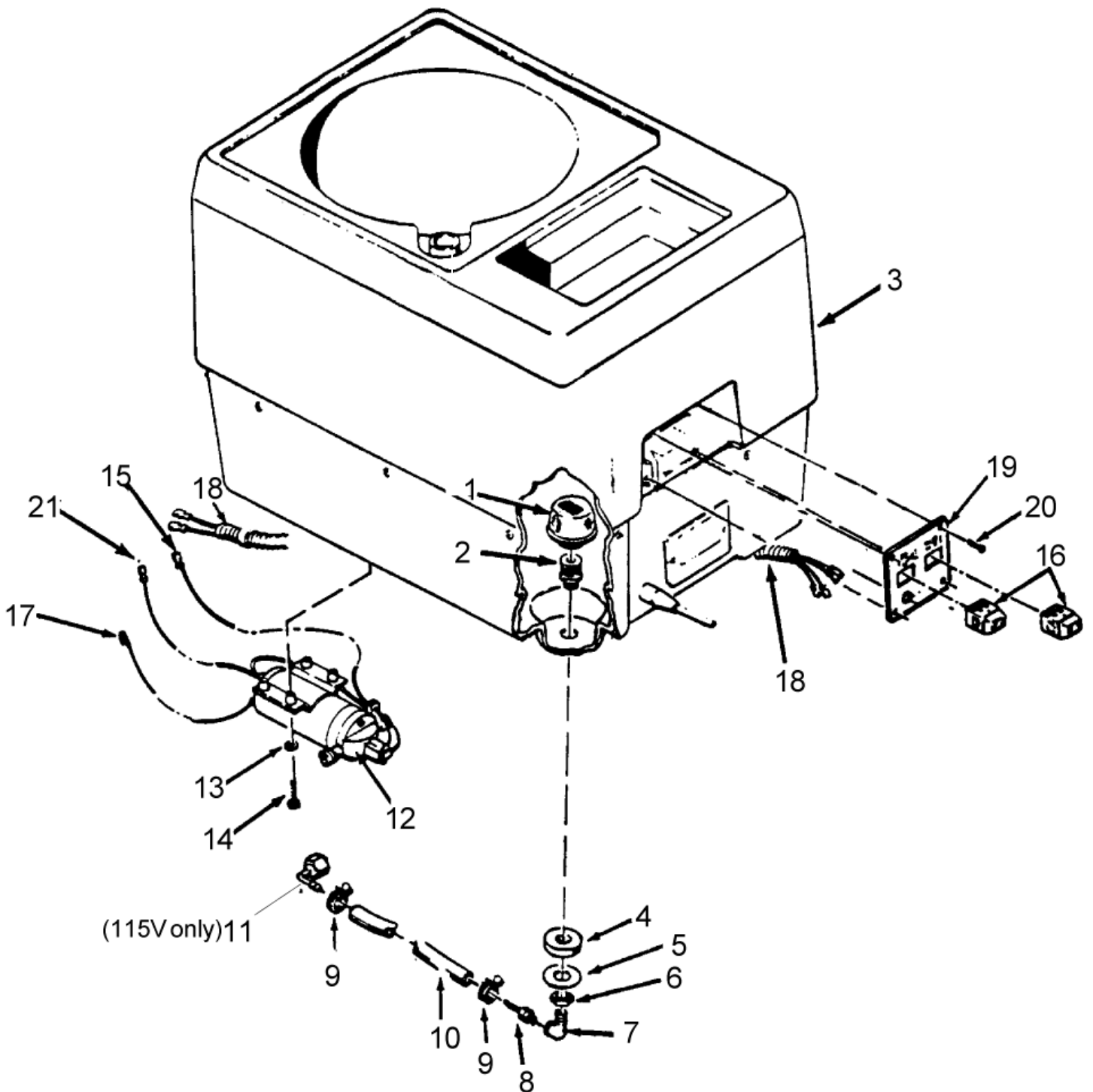
# EXT 311 - Solution Tank 1/00

EXT 311 - 515

23-01-2013

Part List ID  
EXT31103

10



# EXT 311 - Solution Tank 1/00

EXT 311 - 515

23-01-2013

Part List ID  
EX131103

11

Pos	Part no.	Qty	Description	
1	728535	1	STRAINER SOL TANK 903	
2	60306A	1	ADAPTOR FILTER	
4	833401	1	GASKET DRAIN	
5	980630	1	WASH 3/4 ID PLAIN ST	
6	920264	1	NUT 3/4 16X3/8 HEX JAM	
7	170040	1	ELBOW STREET 1/4 90 DEG BRASS	
8	170030	1	HOSEBARB3/8H X 1/4MPT BRASS	
9	50248A	1	CLAMP 3/8 HOSE	
10	35147A	1	HOSESOL3/8X14EXT 771 SII	
11	692870	1	ELBOW SWIVEL BARB 937A	115V
12	45928A	1	PUMP 100 P.S.I.BYPASS EXT 5	
12	697011	1	PUMP 230V/50/60HZ FLOJET	
13	980982	1	WASHER 10 SAE FLAT PLTD	
14	962113	1	SCR 10 32X1 RD ST MACH	
15	47711A	1	TERMINAL1/4 FIFQD 16/14 GA	115V
16	47316B	1	SWITCH ROCKERDPST	
19	37303A	1	PLATE SWITCH MTG	
20	962929	1	SCREW 10 32X 3/8 BD SS PH	
21	47905A	1	TERMINAL1/4 FIMQD 16 14 GA.	230V
21	699202	1	TIE WIRE 935A	

# EXT 311 - 10 Ft. Hose Assembly PN. 59232A 11,

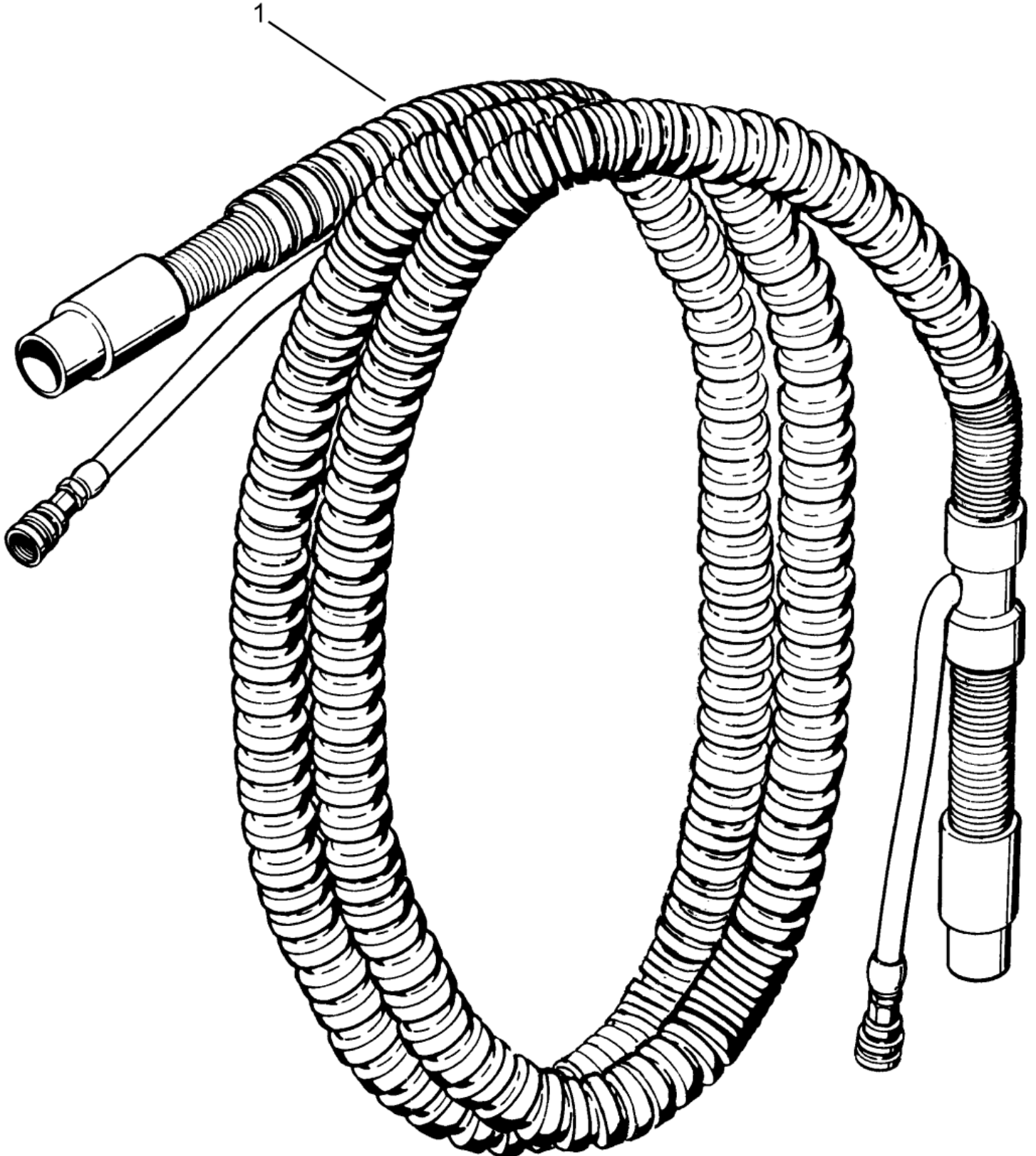
EXT 311 - 515

23-01-2013

Part List ID

EXT31104

12



# EXT 311 - 10 Ft. Hose Assembly PN. 59232A 11

EXT 311 - 515

23-01-2013

Part List ID

EX131104

13

Pos	Part no.	Qty	Description
1	59232A	1	HOSE ASSYVAC SOL 10

# EXT 311 - Pump PN. 45928A - 100PSI/120V

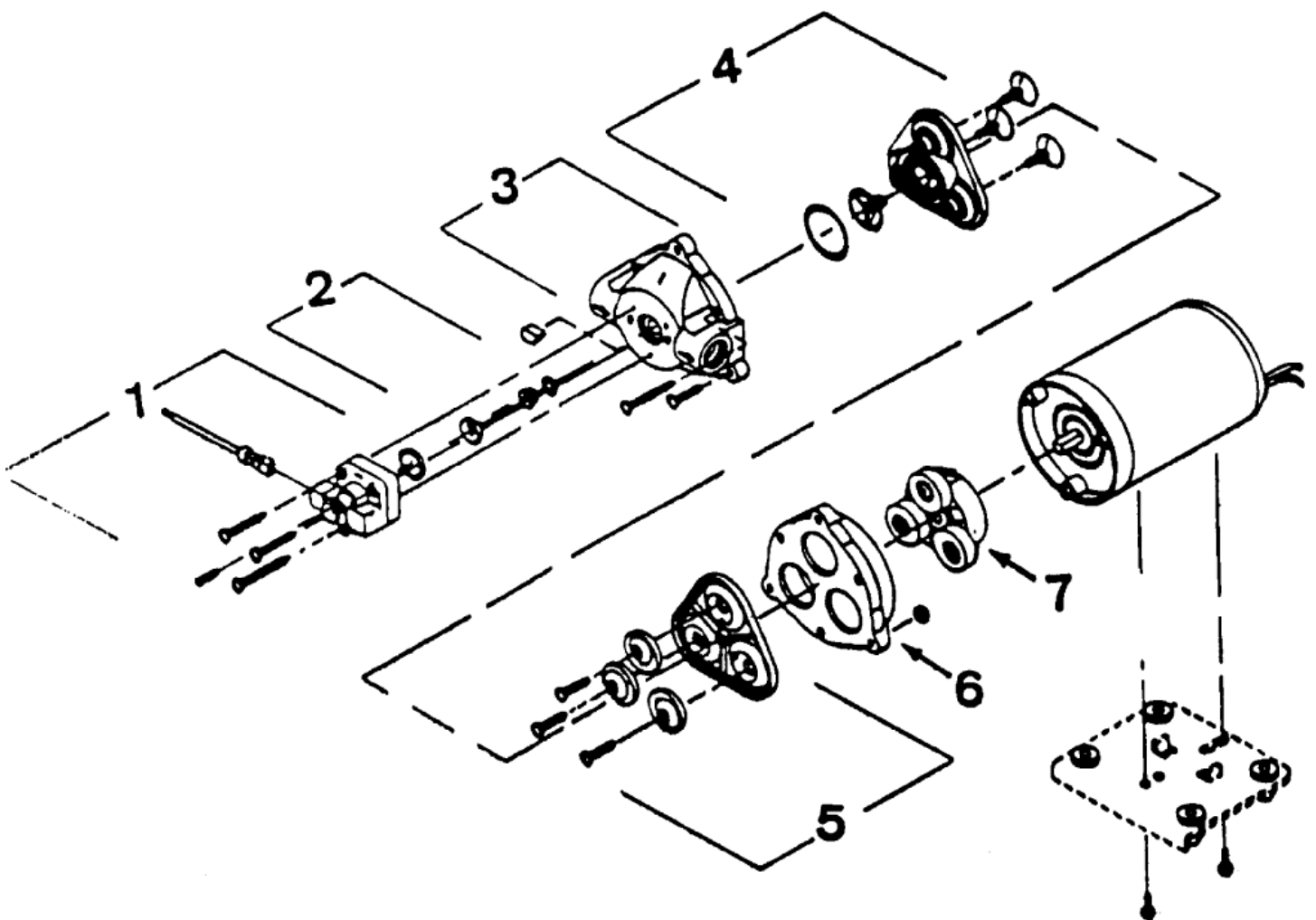
EXT 311 - 515

23-01-2013

Part List ID

EXT31105

14



# EXT 311 - Pump PN. 45928A - 100PSI/120V

EXT 311 - 515

23-01-2013

Part List ID

EX13110b

15

Pos	Part no.	Qty	Description	
1	53056A	1	SWITCH KIT 80/100 PSI	45929A
1	55379A	1	SWITCH KIT VITRON 40/60 PSI	45909B
2	52908A	1	CHECK VALVE KIT	45929A
2	55374A	1	DUAL CHECK VALVE KIT	45909B, 45928A
3	54881A	1	HOUSING UPPER 8000 SERIES MAL	45928A, 45929A
4	55373A	1	VALVE SERVICE KIT 45915A	45909B
4	59783A	1	VALVE KIT	45928A, 45929A
5	53205A	1	DIAPHRAGM KIT	45928A, 45929A
6	54882A	1	HOUSING LOWER PUMP 115V	45928A, 45929A
6	54888A	1	HOSE DRAIN POLY T.V.	45909B
7	52909A	1	CAM DRIVE ASM. 2.5 DEGREE	45928A
7	54837A	1	HOUSING-LOWER DRIVE ASSY	45909B

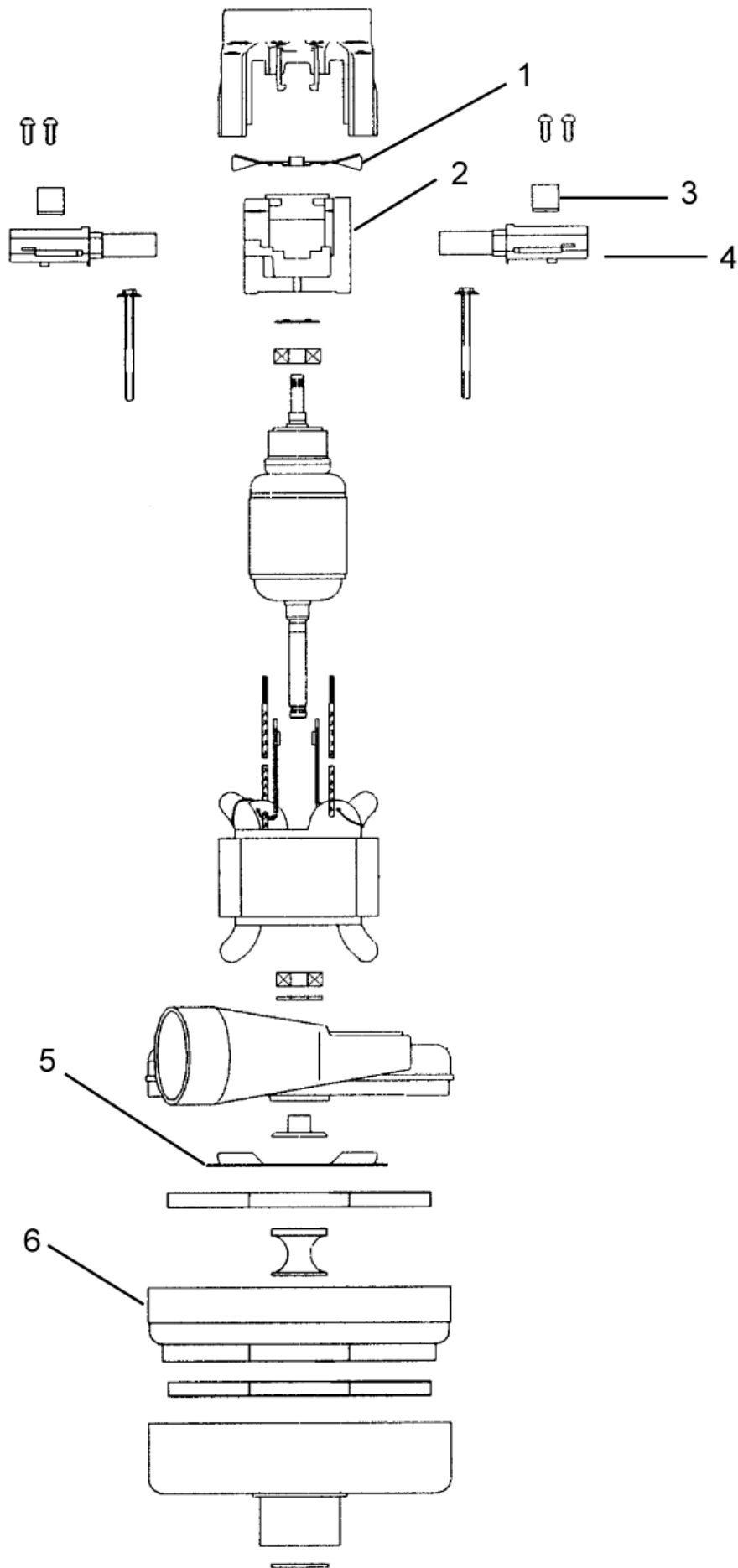
# EXT 311 - Motor 230V PN. 44924A 11/98

EXT 311 - 515

23-01-2013

Part List ID  
EXT31106

16





# EXT 311 - Motor 230V PN. 44924A 11/98

EXT 311 - 515

23-01-2013

Part List ID

EX131106

17

Pos	Part no.	Qty	Description
1	53905A	1	FAN VENT 685202 4
2	50618A	1	BRACKET-END COMM.
3	51914A	1	CLAMP
4	40813A	1	BRUSHCARBON230V VAC MTR441
6	53908A	1	FAN STATIONARY



# EXT 515 - Assembly

EXT 311 - 515

23-01-2013

Part List ID

EXI 315

19

Pos	Part no.	Qty	Description
1	728535	1	STRAINER SOL TANK 903
2	60306A	1	ADAPTOR FILTER
3	38913C	1	TANK EXT 515 PLUS
4	752020	1	CLAMP 450 SHAMPOOER VAC
5	35131A	1	HOSE VACUUM
7	980614	1	WASHER LK 1/4 EXT TOOTHPLTD
9	980603	1	WASHER LK 10 EXT TOOTHPLTD
11	60307A	1	ADAPTER VAC MOTOR
14	899254	1	TIE NYLON HEYMAN NT 150
16	44906A	1	MOTOR VACUUM TM2000/1700E5
16	44907A	1	MOTOR VAC 220V
18	34234A	1	GASKET INTAKE AIR
19	737140	1	QUICK DISCONNECT 7809 915 1/8
20	725729	1	NIPPLE 1/8 CLOSE PIPE
21	66617A	1	PLATE Q.D. MOUNTING
22	920200	1	NUTHEX 10 24 PLTD
23	722030	1	CLAMP HOSE 6
24	694116	1	HOSE INTAKE 925A
26	50300A	1	ADAPTOR 1/8P TO 3/8 HOSE
27	81200A	1	NUT 1/8 PIPE LOCK
28	697011	1	PUMP 230V/50/60HZ FLOJET
29	692870	1	ELBOW SWIVEL BARB 937A
31	964004	1	SCREW M5X16 PN ST PH
32	672012	1	CLAMP CORD
33	964003	1	SCREW M5X20 PN ST PH
34	672011	1	CLAMP STRAIN RELIEF
35	670811	1	BRACKET STRAIN RELIEF
36	38002A	1	STRAIN RELIEF
37	980646	1	WASHER 1/4 SAE FLAT PLTD
38	30801B	1	BASE EXT 311 PLUS
41	833401	1	GASKET DRAIN
42	980630	1	WASH 3/4 ID PLAIN ST
43	920264	1	NUT 3/4 16X3/8 HEX JAM
45	930074	1	RIVET 1/8 DIA CLOSED END
47	66634A	1	PLATE LABEL MTG
48		1	NOTE COMMENT LABEL, SERIAL NO.
50	52100A	1	CASTER 2 BALL
51	42164B	1	CORD POWER 16 3 35FT EXT1015
52	722851	1	ELBOW SOL TO REDUCER 913
56	954010	1	WIRE ASSEMBLY 16 GREEN 937A
58	838216	1	SPACER-VAC MOTOR
59	980982	1	WASHER 10 SAE FLAT PLTD
62	980982	1	WASHER 10 SAE FLAT PLTD

# EXT 515 - Assembly

EXT 311 - 515

23-01-2013

Part List ID

EX1315

20

Pos	Part no.	Qty	Description	
63	47201A	1	SUPPRESSOR RF 8A IMAGE 14	CE ONLY
64	962333	1	SCREW 10 32 X 1/4 PN ST PH	CE ONLY
67	77094A	1	LABEL GROUND SYMBOL	CE ONLY

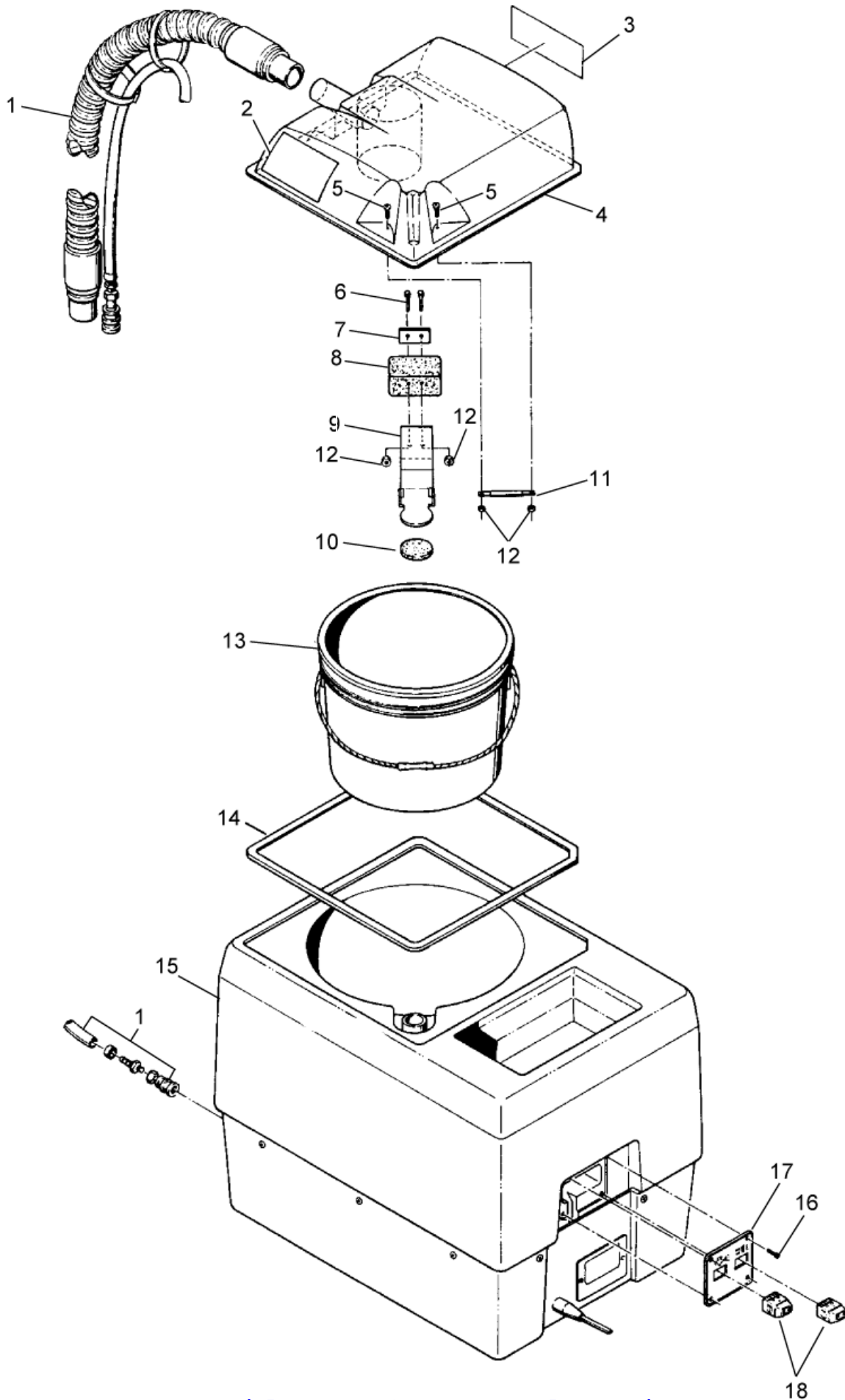
# EXT 515 - Assembly NO. 2 5/86

EXT 311 - 515

23-01-2013

Part List ID  
EXT31501

21



Ersatzteile auf [www.gluesing.net](http://www.gluesing.net)

# EXT 515 - Assembly NO. 2 5/86

EXT 311 - 515

23-01-2013

Part List ID  
EX131501

22

Pos	Part no.	Qty	Description
3	73290A	1	LABEL OPERATING INST
6	85350A	1	SCREW 8 32 X 2.50 PAN HEAD
7	62401A	1	CLAMP FLOAT
8	33801A	1	FLOAT
10	34213A	1	GASKET FLOAT SHUT OFF
11	67104A	1	ROD FLOAT PIVOT
12	920065	1	NUT 8 32 ESNA 22NM 82
13	36900A	1	PAIL RECOVERY EXT 515 5GAL
14	34235B	1	GASKETREC.DOMEEXTRUDEEXT 3
17	37303A	1	PLATE SWITCH MTG

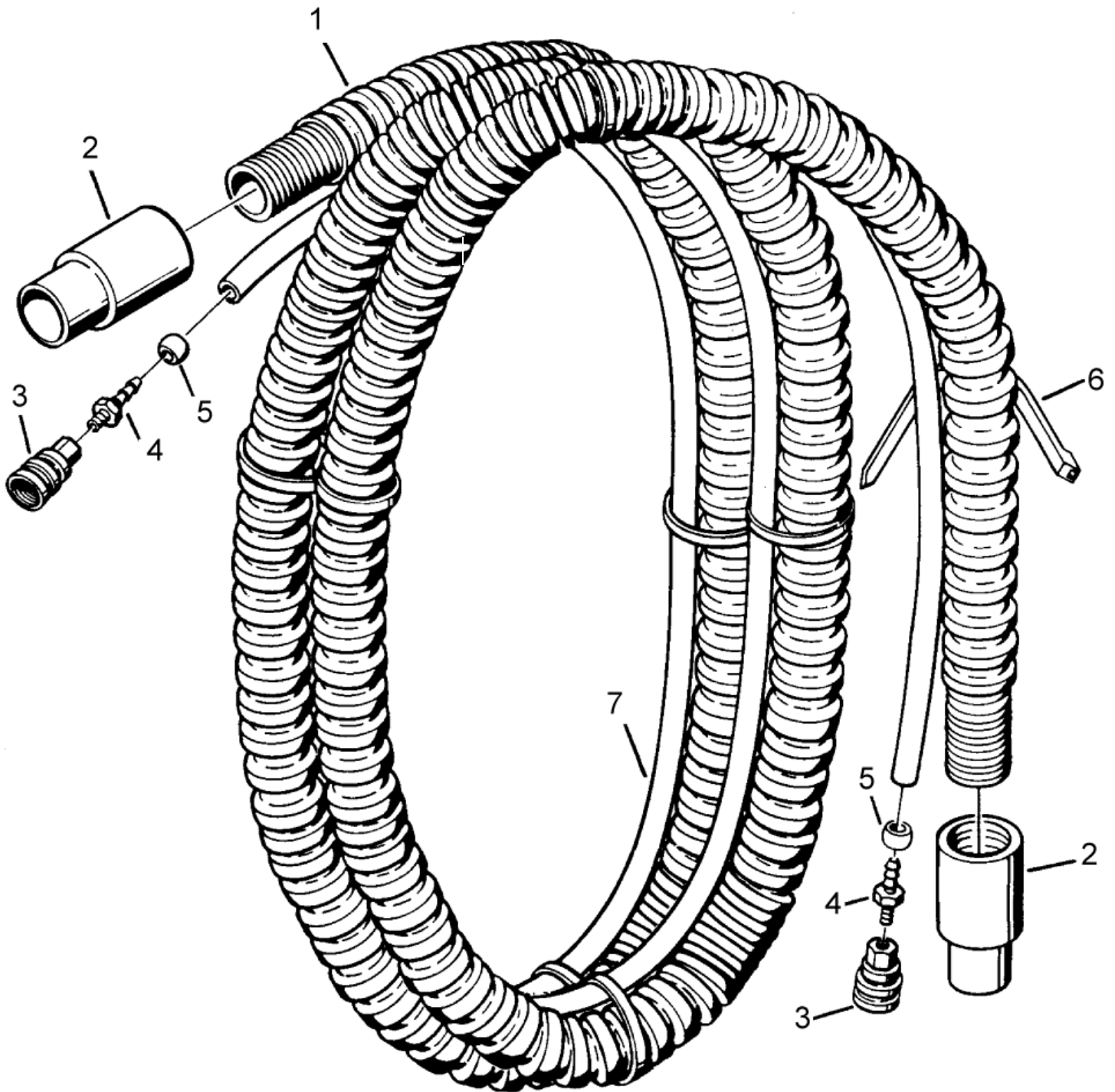
# EXT 515 - 10Ft. Hose Assembly 5/86

EXT 311 - 515

23-01-2013

Part List ID  
EXT31502

23



# EXT 515 - 10Ft. Hose Assembly 5/86

EXT 311 - 515

23-01-2013

Part List ID

EX131502

24

Pos	Part no.	Qty	Description
3	737141	1	COUPLER QUICK DISCONNECT BRA
4	690209	1	HOSEBARB 3/8H X 1/8 NPT
6	899254	1	TIE NYLON HEYMAN NT 150



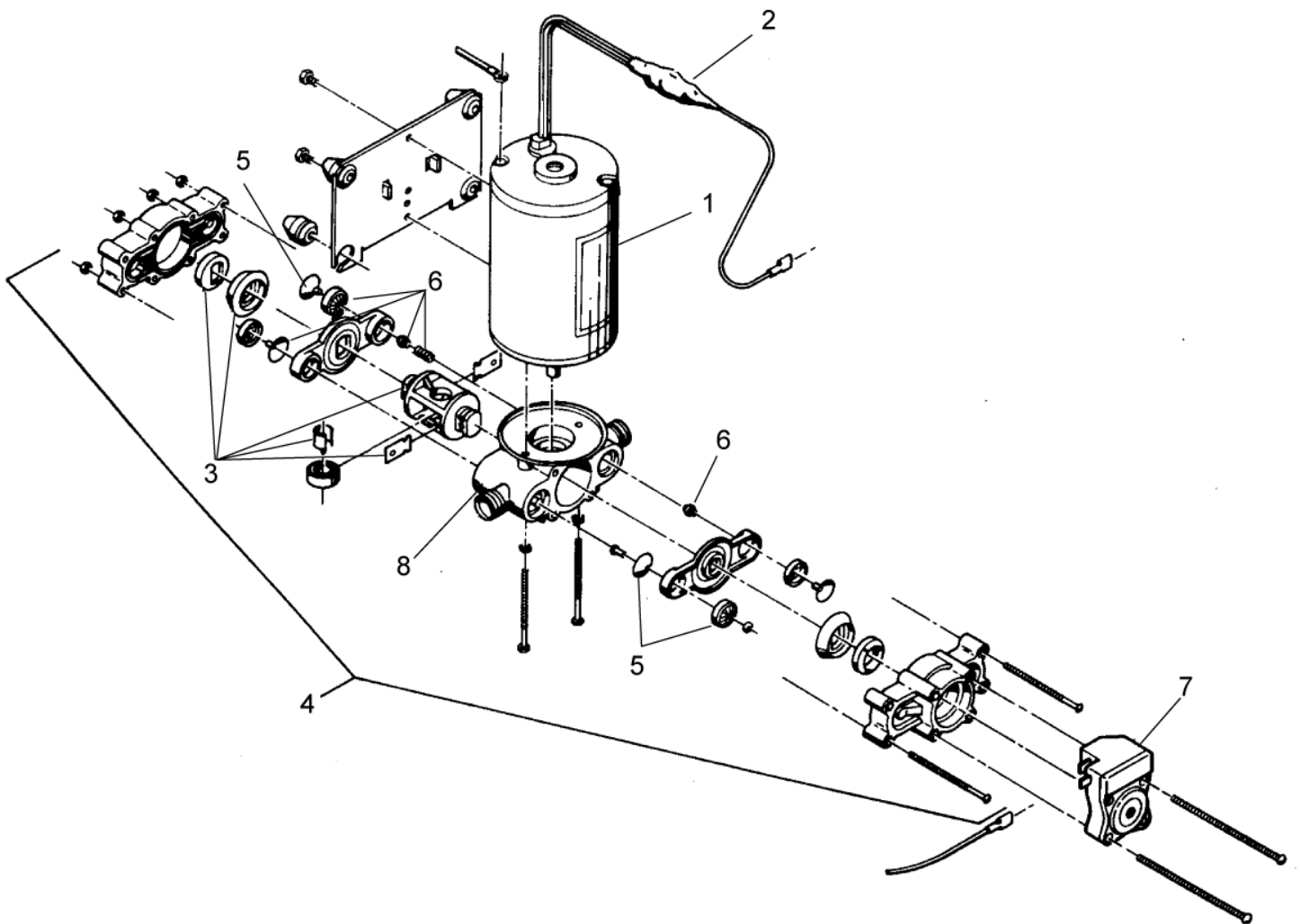
# EXT 515 - Pump Replacement 5/86

EXT 311 - 515

23-01-2013

Part List ID  
EXT31503

25



# EXT 515 - Pump Replacement 5/86

EXT 311 - 515

23-01-2013

Part List ID  
EX131503

26

Pos	Part no.	Qty	Description
7	912233	1	SWITCH MICRO

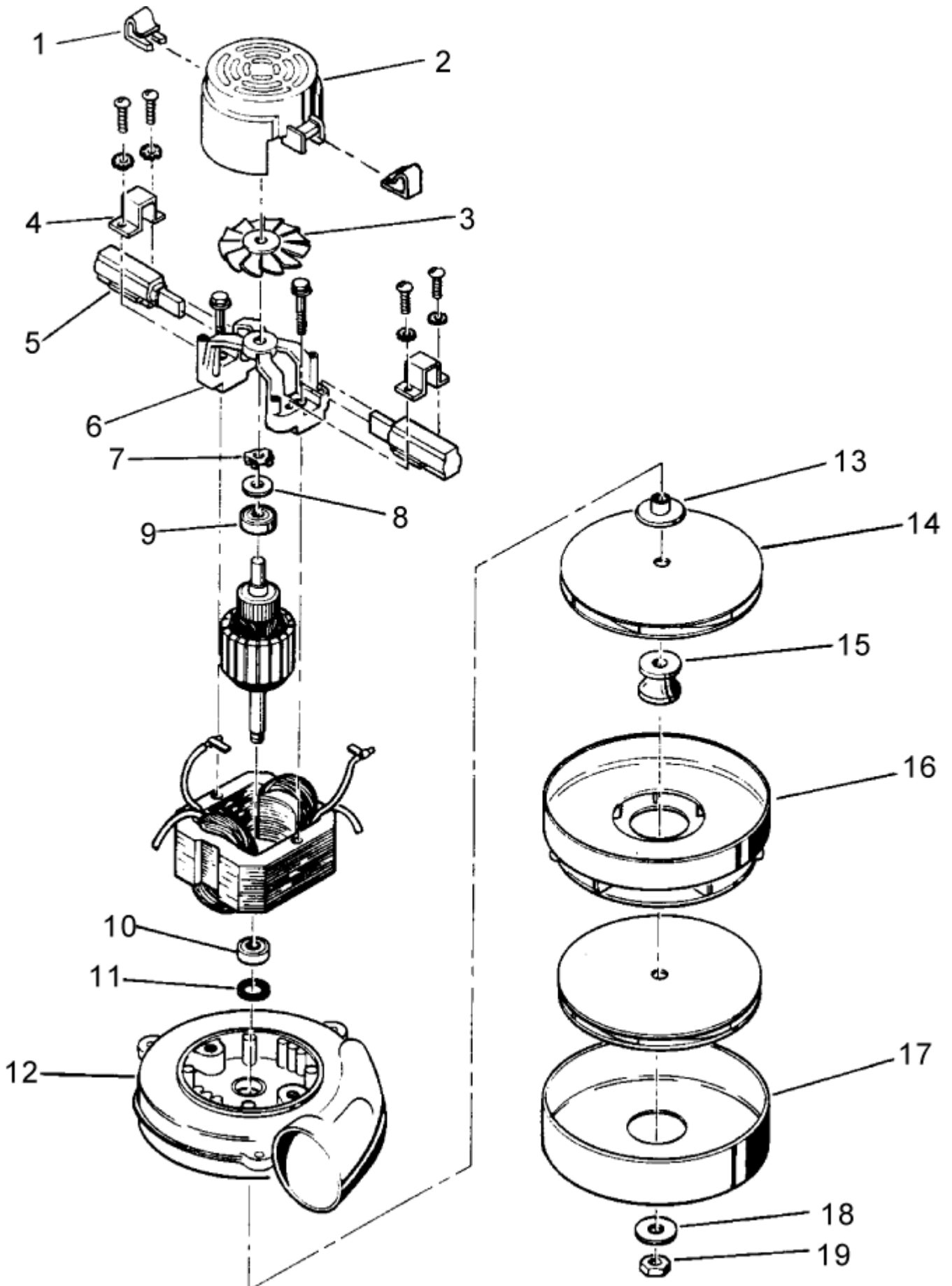
# EXT 515 - Motor 120V PN. 44906A 9/98

EXT 311 - 515

23-01-2013

Part List ID  
EXT31504

27



Ersatzteile auf [www.gluesing.net](http://www.gluesing.net)

# EXT 515 - Motor 120V PN. 44906A 9/98

EXT 311 - 515

23-01-2013

Part List ID  
EX131504

28

Pos	Part no.	Qty	Description	
1	51913A	1	CLIP	OPTIONAL
2	54809A	1	HOUSING	
3	53905A	1	FAN VENT 685202 4	
4	51914A	1	CLAMP	
5	51401A	1	BRUSH MECH. PK.OF 2 685202	SET OF 2
6	50618A	1	BRACKET-END COMM.	
8	53100A	1	DISC	
9	902679	1	BEARING BALL	
10	902648	1	BRG BALL RADIAL DBL SEAL	
11	59803A	1	WASHER NEOPRENE 685202 4	
12	50610A	1	BRACKET END FAN FOR 835204 V	
13	58501A	1	SPACER	
15	658201	1	SPACER	
18	980205	1	WASHER .312 ID/1.06 OD/.075THK	
19	920329	1	NUT 5/16 24 HEX	

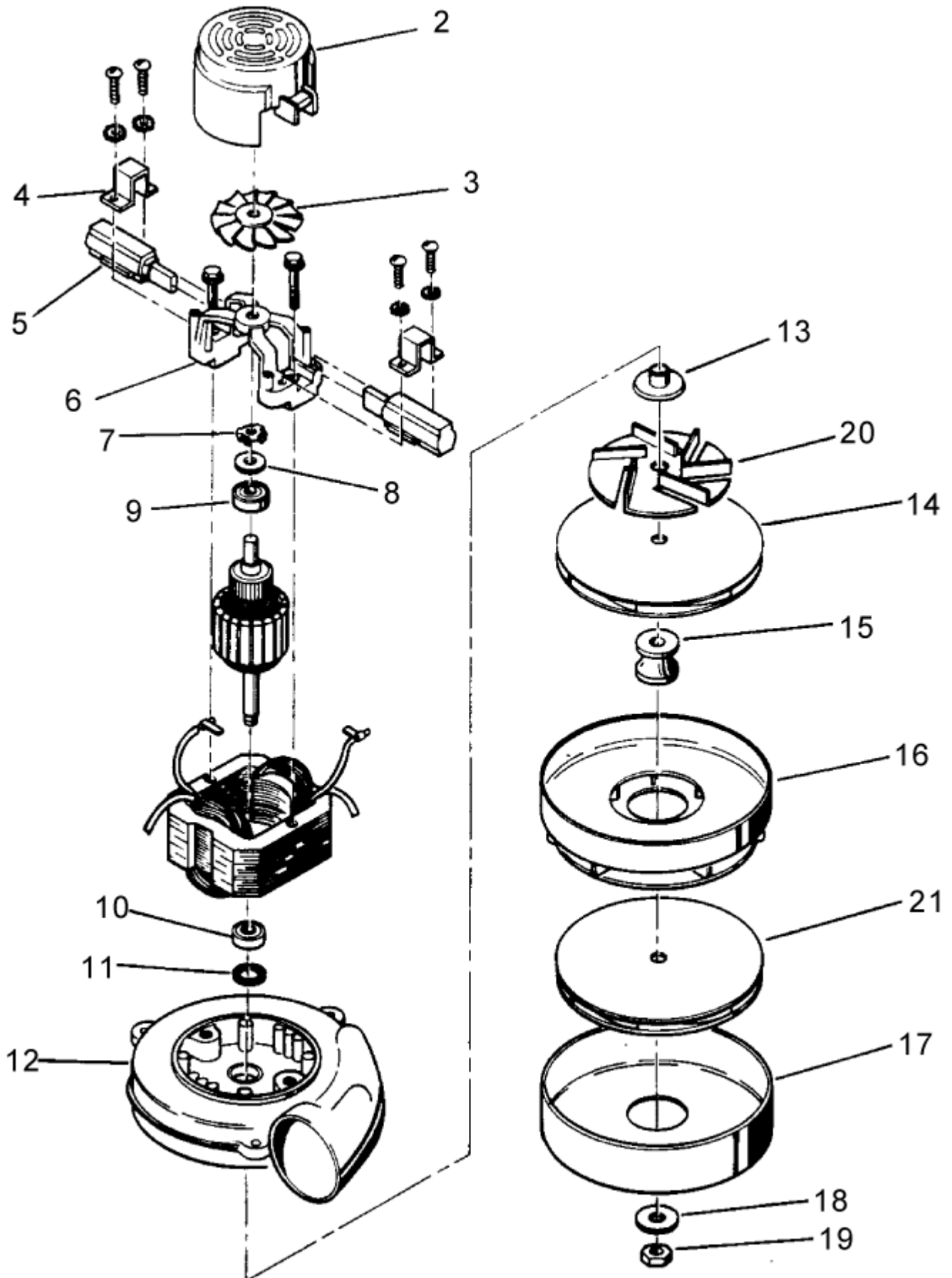
# EXT 515 - Motor 230V PN. 44907A 9/98

EXT 311 - 515

23-01-2013

Part List ID  
EXT31505

29



# EXT 515 - Motor 230V PN. 44907A 9/98

EXT 311 - 515

23-01-2013

Part List ID  
EX131505

30

Pos	Part no.	Qty	Description
2	54809A	1	HOUSING
3	53905A	1	FAN VENT 685202 4
4	51914A	1	CLAMP
5	40813A	1	BRUSHCARBON230V VAC MTR441
6	50618A	1	BRACKET-END COMM.
8	53100A	1	DISC
9	902679	1	BEARING BALL
10	902648	1	BRG BALL RADIAL DBL SEAL
11	59803A	1	WASHER NEOPRENE 685202 4
12	50610A	1	BRACKET END FAN FOR 835204 V
13	58501A	1	SPACER
15	658201	1	SPACER
18	980205	1	WASHER .312 ID/1.06 OD/.075THK
19	920329	1	NUT 5/16 24 HEX