

# SP 500

---

Model:  
SP500



Part List US-English

09-12-2012

**Nilfisk**  
**ALTO**  
works for you

[www.nilfisk-alto.com](http://www.nilfisk-alto.com)

Ersatzteile auf [www.gluesing.net](http://www.gluesing.net)

# Table of Contents

SP 500

<b>Motor and cover</b>	<b>3</b>
<b>Motor and cover from machine no. 4431 to no. 9999</b>	<b>5</b>
<b>Central tie rod and handle</b>	<b>7</b>
<b>Tank</b>	<b>10</b>

# Motor and cover

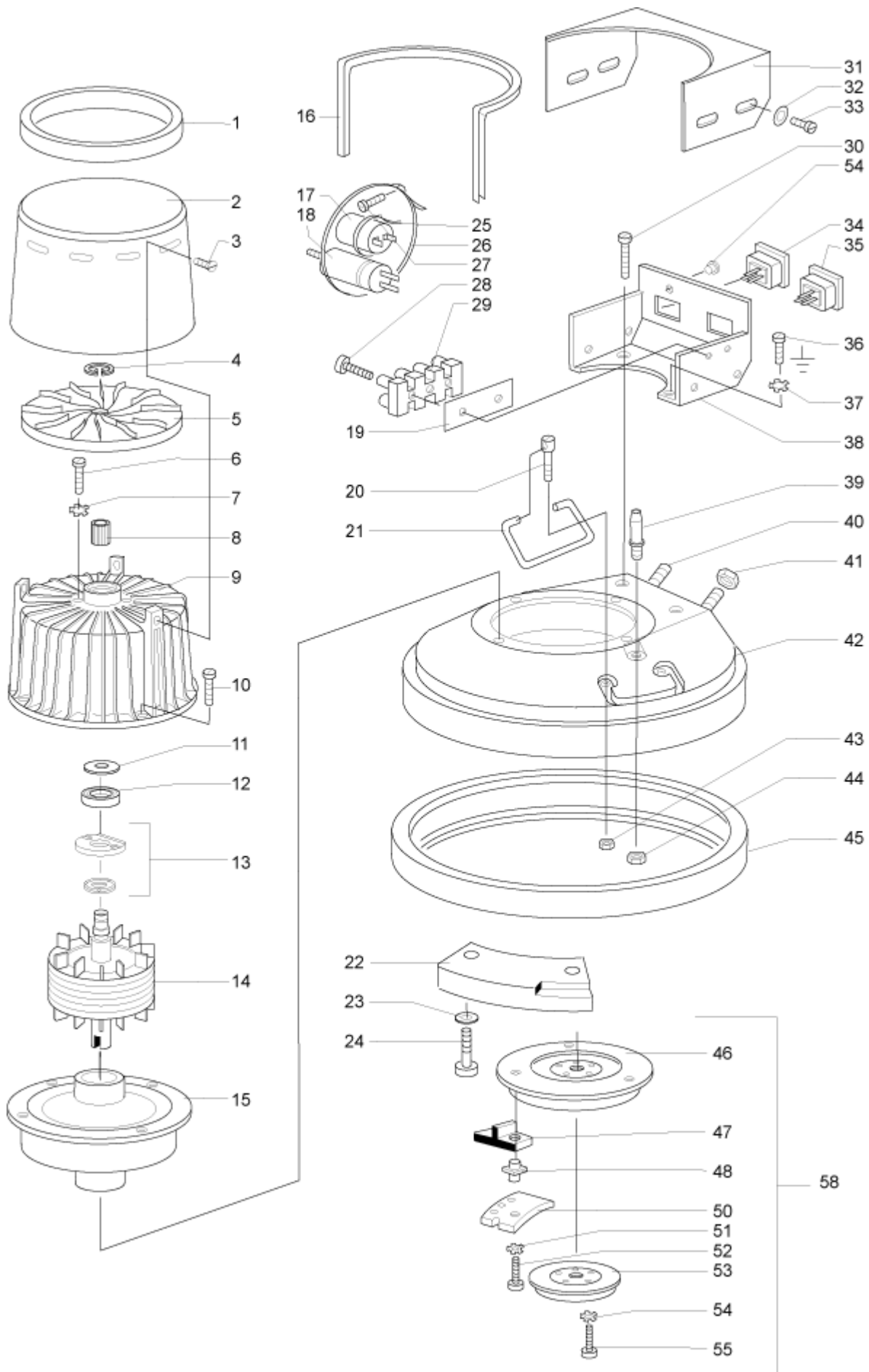
SP 500

09-12-2012

Part List ID

SP50002

3



Ersatzteile auf [www.gluesing.net](http://www.gluesing.net)

# Motor and cover

SP 500

09-12-2012

Part List ID  
SP50002

4

Pos	Part no.	Qty	Description
1	27206	1	GUARD RING
3		1	NOTE COMMENT
4	27215	1	CIRCLIP FOR BORES
6		1	NOTE COMMENT
7		1	NOTE COMMENT
10		1	NOTE COMMENT
11	27132	1	BEARING
12	20938	1	BEARING WAS 2809
13	27194	1	CENTRIFUGAL SWITCH
17	27700	1	CONDENSER
18	27709	1	CONDENSER
23		1	NOTE COMMENT
24		1	NOTE COMMENT
25	15198	1	CABLE STRAP
27	27138	1	LENS HEAD COUNTERS. SCREW
28		1	NOTE COMMENT
30		1	NOTE COMMENT
31	62490	1	SWITCH CASE HOUSING - UPP
32		1	NOTE COMMENT
33	27138	1	LENS HEAD COUNTERS. SCREW
34	62493	1	SOCKET
36		1	NOTE COMMENT
37		1	NOTE COMMENT
41		1	NOTE COMMENT
42	62492	1	BLOCKING CASE SP 50
43		1	NOTE COMMENT
45	27187	1	STOP RING SP 500
46	27162	1	SHB MITNEHMER- SP 500
47	27338	1	STOPPER
48	27152	1	PULLING PIN SP 500
51		1	NOTE COMMENT
52		1	NOTE COMMENT
53	27159	1	COVER PLATE SP 500
54		1	NOTE COMMENT
55		1	NOTE COMMENT

# Motor and cover from machine no. 4431 to no. 9

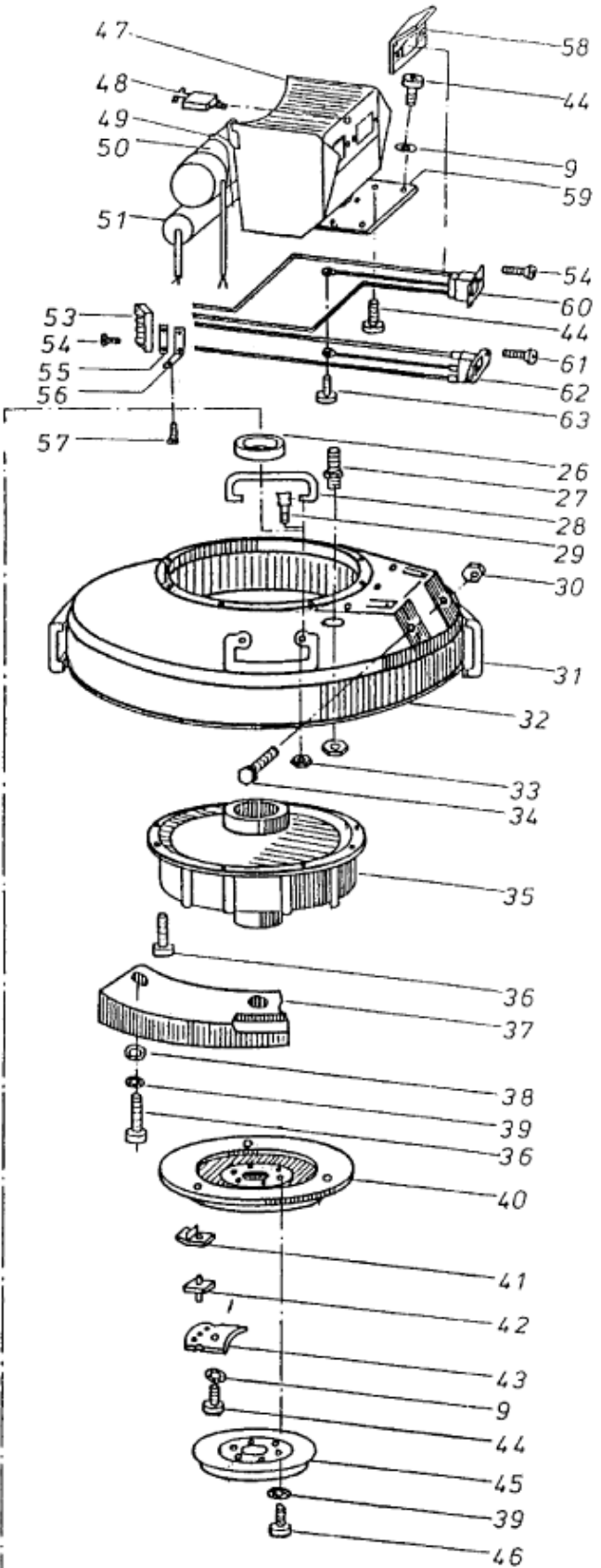
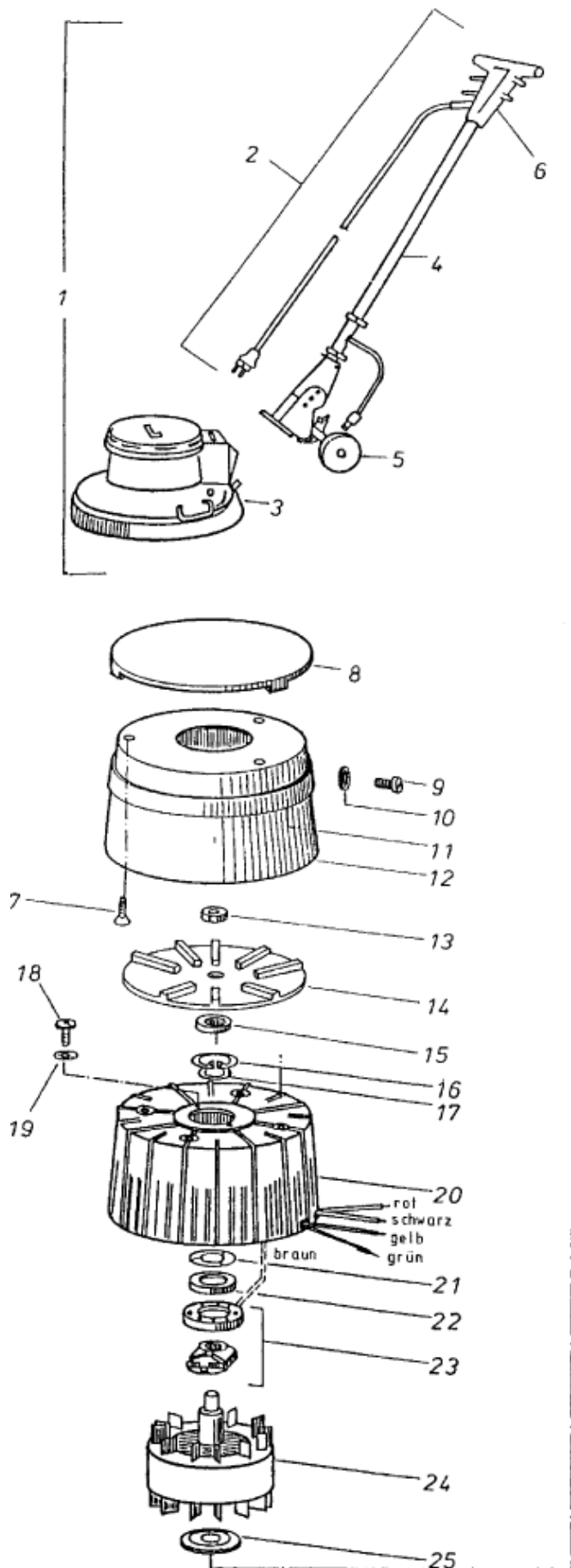
SP 500

09-12-2012

Part List ID

SP50004

5



ab Masch. Nr. 4431  
bis Masch. Nr. 9999

Ersatzteile auf [www.gluesing.net](http://www.gluesing.net)

# Motor and cover from machine no. 4431 to no. 9

SP 500

09-12-2012

Part List ID

SP50004

6

Pos	Part no.	Qty	Description
7		1	NOTE COMMENT
8	27284	1	COVER
9		1	NOTE COMMENT
10		1	NOTE COMMENT
11	27206	1	GUARD RING
13		1	NOTE COMMENT
14	27348	1	KUEHLFLUEGEL
16	27215	1	CIRCLIP FOR BORES
17	27243	1	DISC
18		1	NOTE COMMENT
19		1	NOTE COMMENT
20	27624	1	MOTOR CASING
21	27132	1	BEARING
22	20938	1	BEARING WAS 2809
23	27194	1	CENTRIFUGAL SWITCH
24	27629	1	ROTOR
30		1	NOTE COMMENT
31	27187	1	STOP RING SP 500
33		1	NOTE COMMENT
34		1	NOTE COMMENT
35	27588	1	PLANETARY TRANSMISSION
36		1	NOTE COMMENT
38		1	NOTE COMMENT
39		1	NOTE COMMENT
40	27162	1	SHB MITNEHMER- SP 500
41	27338	1	STOPPER
42	27152	1	PULLING PIN SP 500
44		1	NOTE COMMENT
45	27159	1	COVER PLATE SP 500
46		1	NOTE COMMENT
48	27712	1	MOTOR SWITCH
49	15198	1	CABLE STRAP
50	27709	1	CONDENSER
51	27700	1	CONDENSER
54		1	NOTE COMMENT
55	27267	1	INSULATION
57	19527	1	COUNTERSUNK SCREW M4X10 ISO 7046 ZN
58	27545	1	COVER
61		1	NOTE COMMENT
62	27563	1	SWITCH 6061.5
63		1	NOTE COMMENT

# Central tie rod and handle

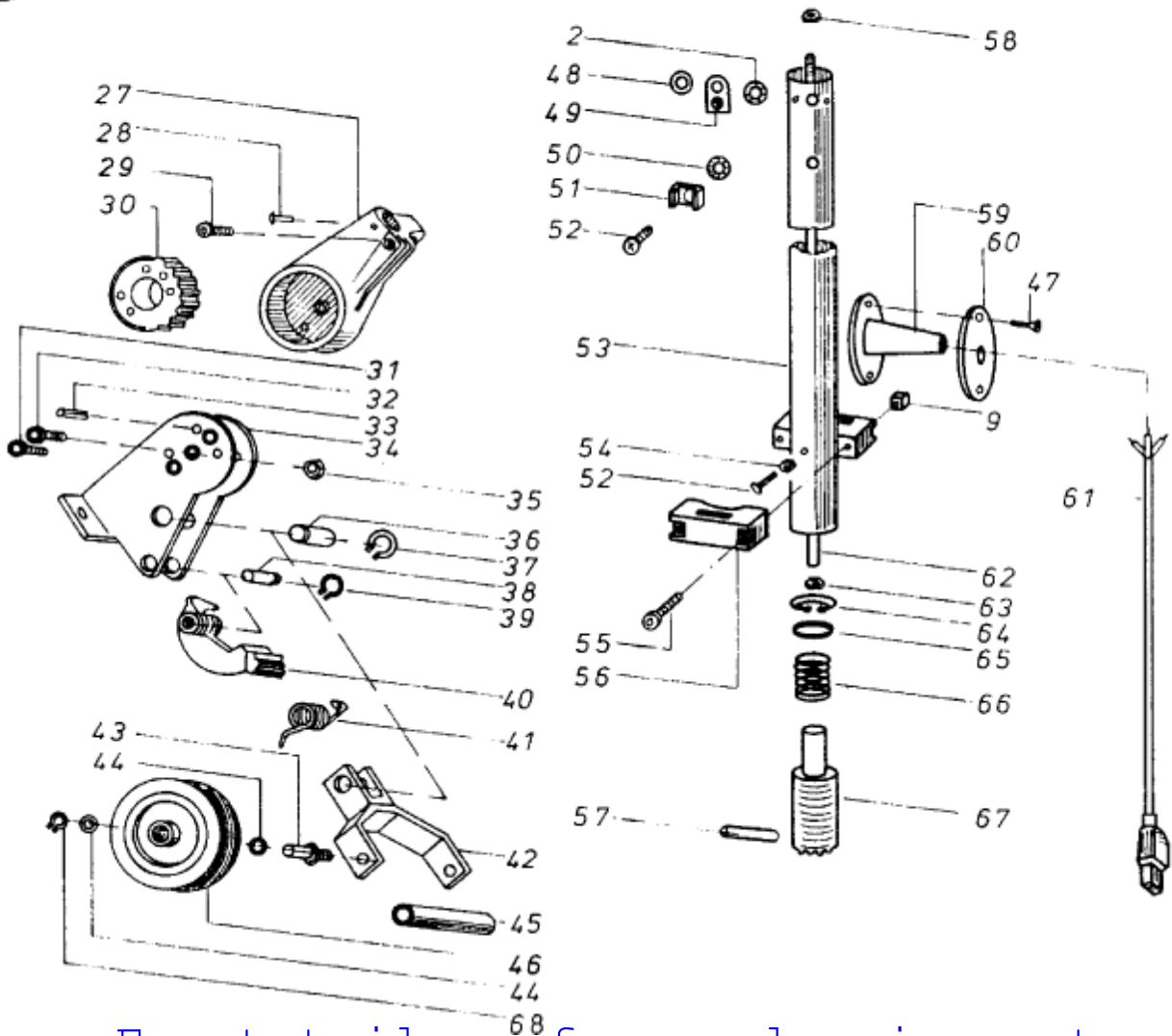
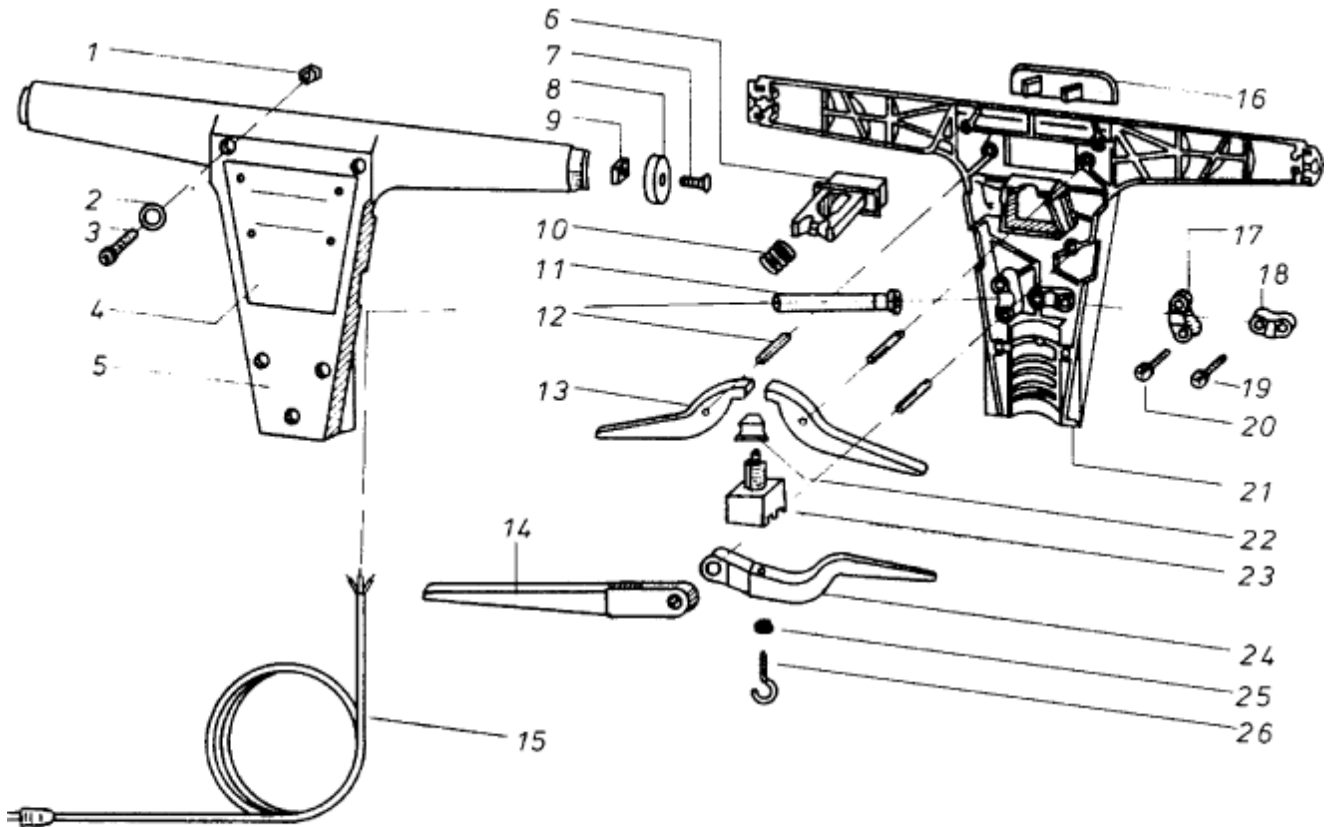
SP 500

09-12-2012

Part List ID

SP50006

7



# Central tie rod and handle

SP 500

09-12-2012

Part List ID  
SP50006

8

Pos	Part no.	Qty	Description
1		1	NOTE COMMENT
2	27183	1	BACK-UP RING M6
3		1	NOTE COMMENT
5	27200	1	SWITCH CASE
6	27203	1	SENSOR
7	30346	1	COUNTERSUNK SCREW M5X12 ISO 7046 A2
8	27179	1	HOLE BRACKET
9	27182	1	NUT SQUARE- M5
10	27196	1	SPRING
11	27742	1	CABLE SLEEVE HSP.SP 400.
12	27157	1	PARALLEL PIN 6 M6 X36
13	27170	1	SHIFT LEVER
14	27171	1	ADAPTER. PLUG
15	14139	1	PLUG WITH FUSE
15	27037	1	BRACKET. CABLE
16	27202	1	PRESSURE PLATE
18	5697	1	STRAP 3X8X33
19	18085	1	TREAD-CUTTING SCREW M4.2X19 CH ISO 7049
20	18085	1	TREAD-CUTTING SCREW M4.2X19 CH ISO 7049
21	27201	1	SWITCH CASE
23	27181	1	PUSH-BUTTON
24	27172	1	WATER LEVER
25		1	NOTE COMMENT
26	27160	1	LIFTING SCREW
27	27169	1	GUIDE ROD HOLDER
28	27244	1	GROOVED DRIVE STUD
29	6991	1	RAISED DOME HEAD SCREW M6X25 DIN 7985 ZN
30	27166	1	GEAR WHEEL
31	30786	1	COUNTERSUNK SCREW M8X25 ISO 10642 ZN
32		1	NOTE COMMENT
33	2775	1	ADAPTOR SLEEVE 6X36
34	27163	1	CLAMPING FIXTURE
35		1	NOTE COMMENT
37	27180	1	RETAINING RING FOR SHAFT
38	27156	1	PARALLEL PIN 10X55 I
39	8878	1	LOCK WASHER M10X1 DIN 471 ZN
40	27154	1	RASTE SP 500
43	27178	1	BOLT
44	27243	1	DISC
46	27185	1	TRACK ROLLER Ø 125
48		1	NOTE COMMENT
50		1	NOTE COMMENT
52		1	NOTE COMMENT



# Central tie rod and handle

SP 500

09-12-2012

Part List ID  
SP50006

9

Pos	Part no.	Qty	Description
53	27158	1	GUIDE PIPE
54		1	NOTE COMMENT
55		1	NOTE COMMENT
57	10455	1	SPRING-TYPE STRAIGHT PIN
58		1	NOTE COMMENT
60	27144	1	FLANGED BUSH HSP 1050/165
61	27669	1	CONNECTING LEAD 3X1X1250M
62	27173	1	FIXING BOLT
63		1	NOTE COMMENT
64	27184	1	RETAINING RING FOR SHAFT
65	27177	1	WASHER
67	27167	1	SNAP COUPLING HSP 1050/1650
68	23483	1	SAFETY RING D12X1 DIN 471

# Tank

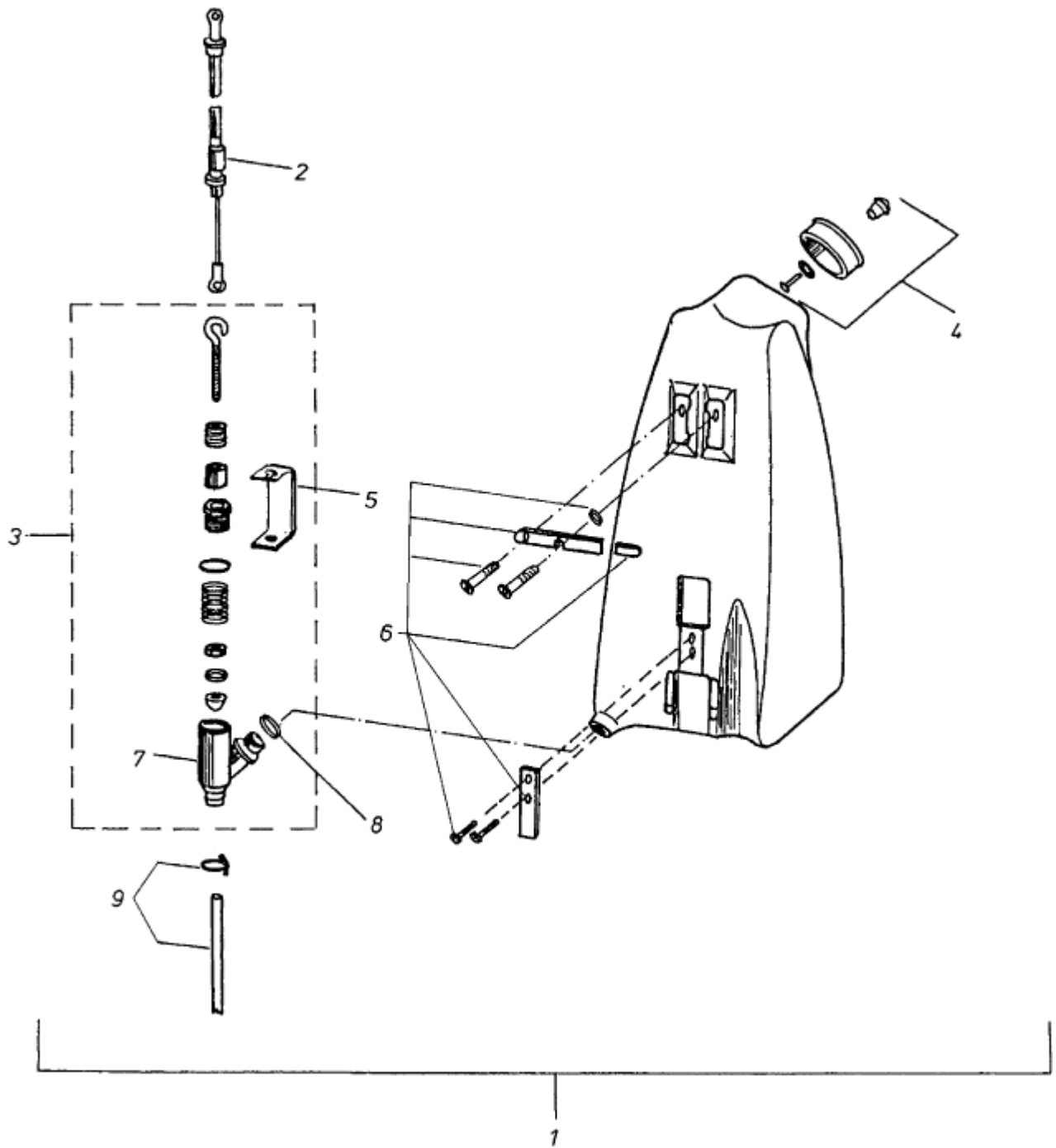
SP 500

09-12-2012

Part List ID

SP50008

10



# Tank

SP 500

09-12-2012

Part List ID  
SP50008

11

Pos	Part no.	Qty	Description
1	25277	1	TANK
2	28328	1	BOWDEN CABLE
3	28329	1	VALVE FOR CHEMICAL TANK
4	28330	1	COVER
5	28331	1	SUPPORTING BRACKET
7	28333	1	VALVE BOX FOR TANK SP
8	27142	1	SEALING