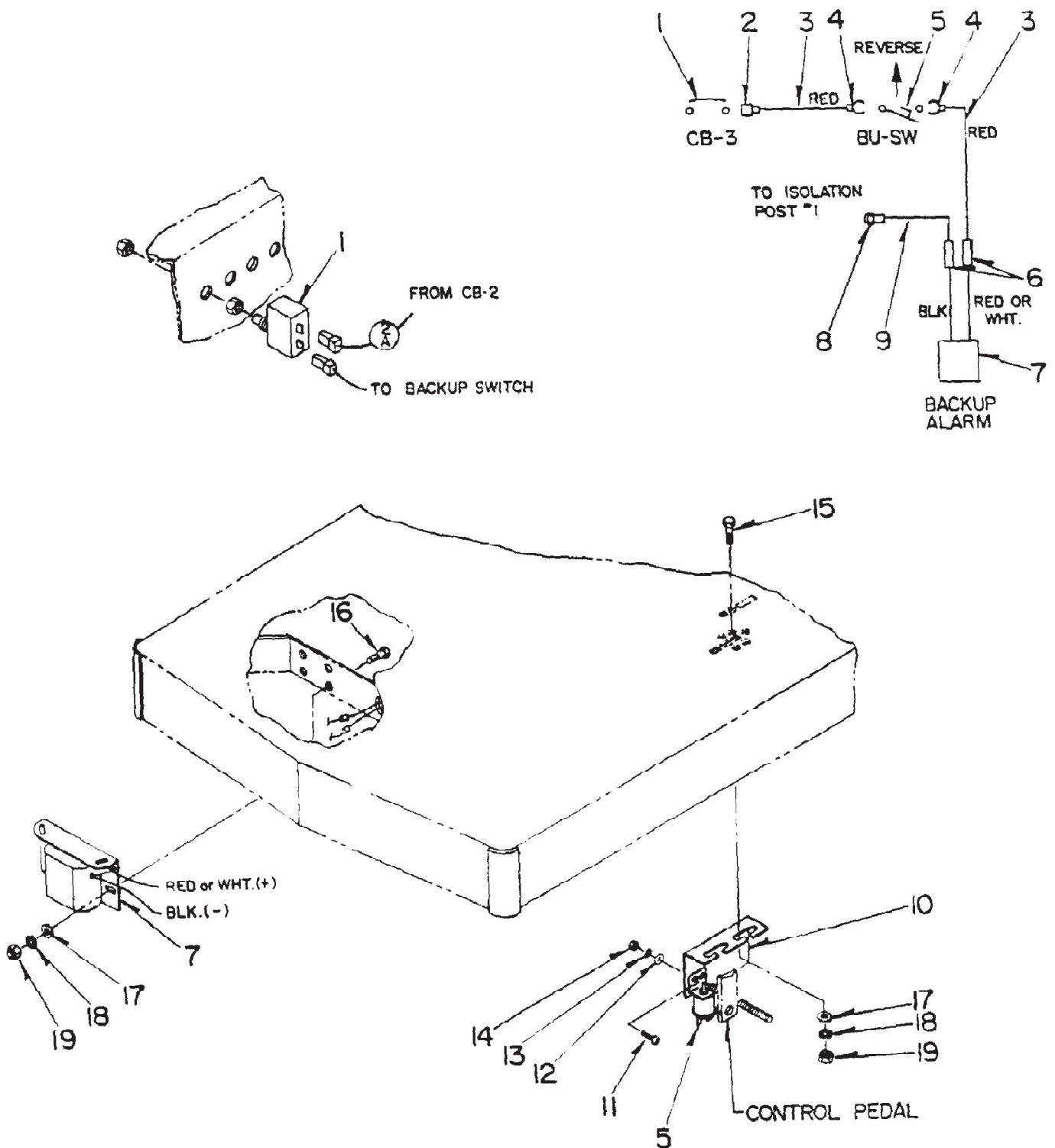
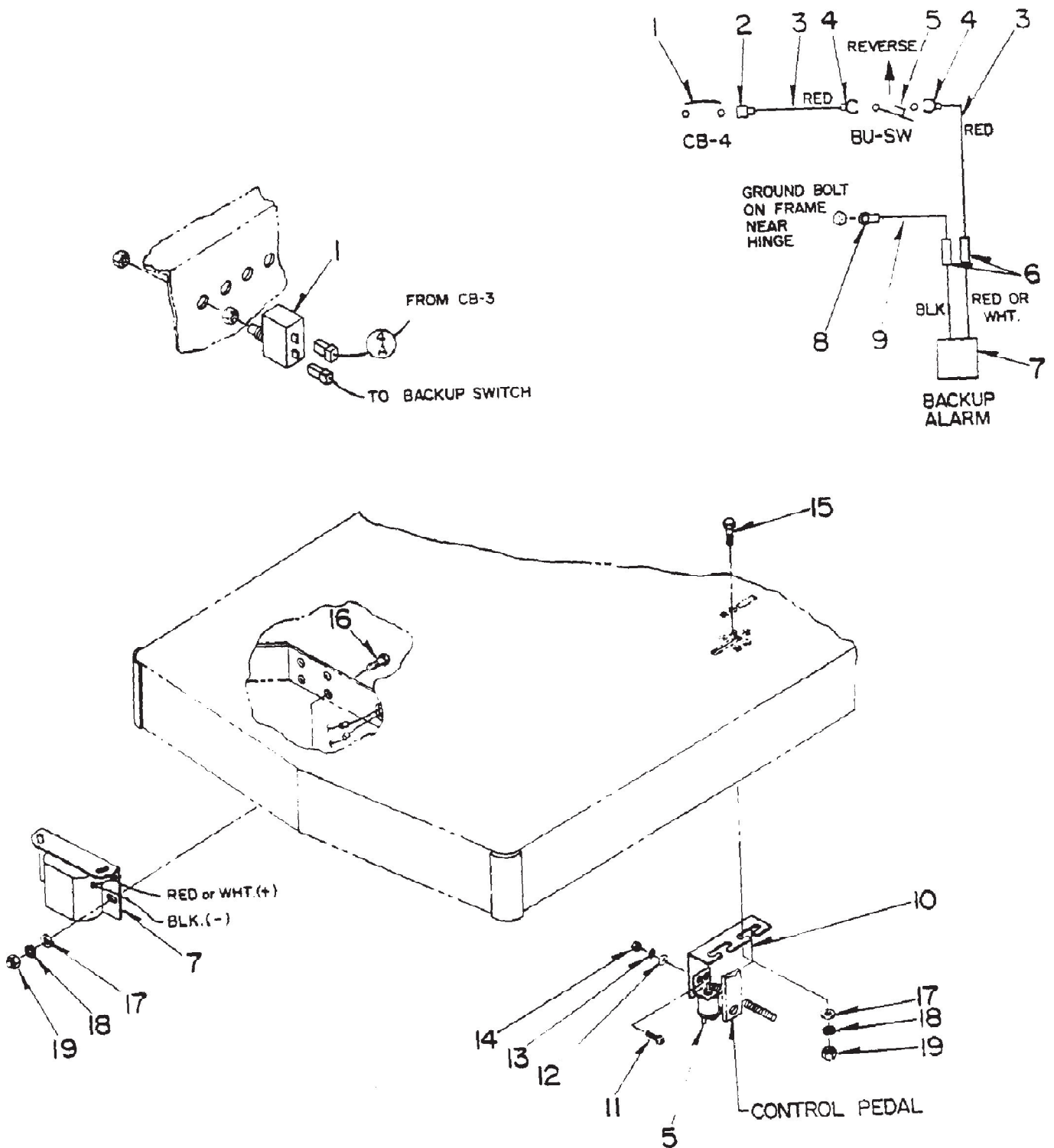


Typ 576-421 6100 LP Vermerke

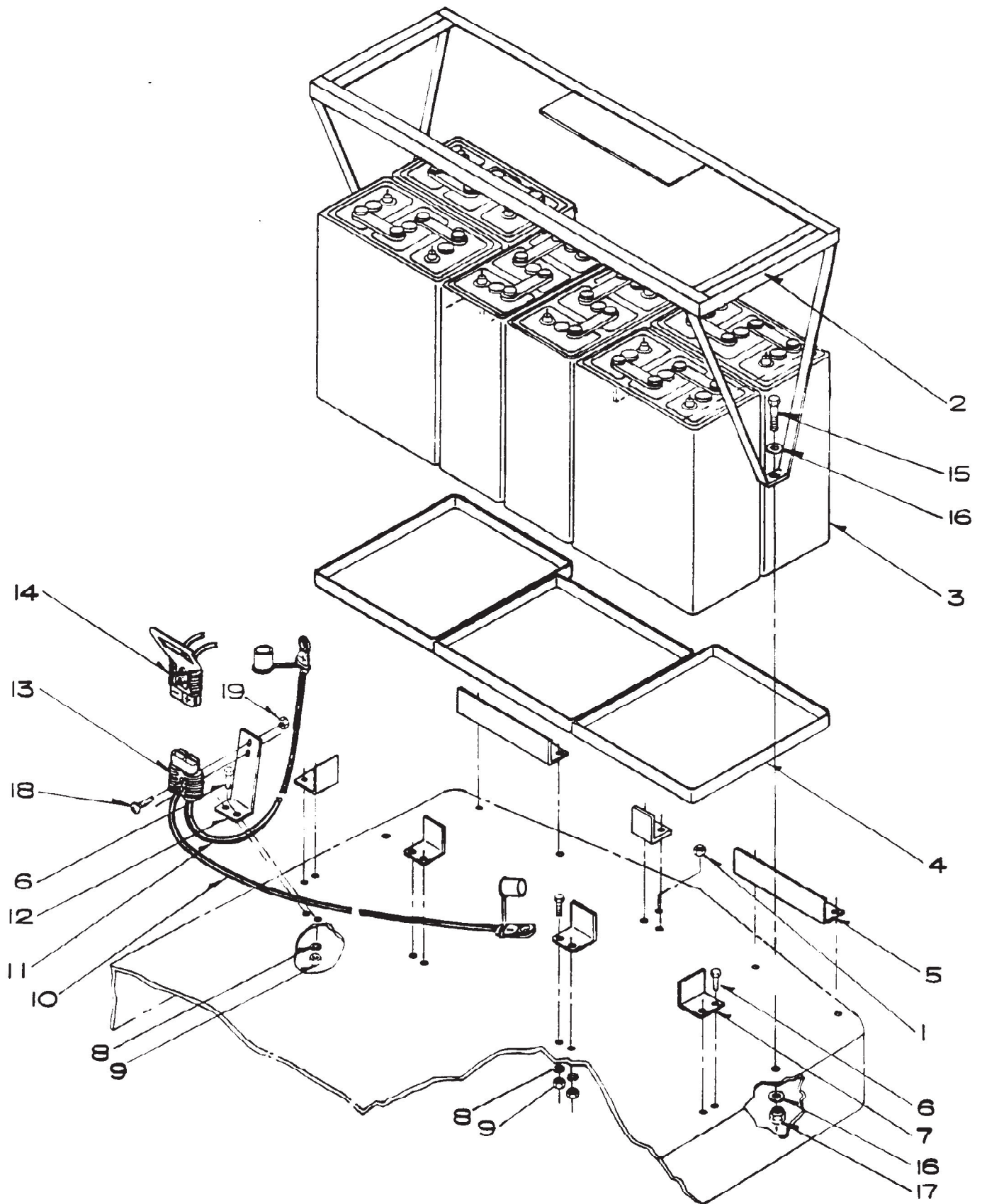
Backup Alarm - Battery - Option
Backup Alarm - Gas - Option
Battery Installation
Brake - Low Dump
Brake - Variable Dump
Brake Linkage
Brooms - Options
Brushes - Option
Console - Battery
Console - Gas/LP/Diesel
Control Valve - Low Dump
Control Valve - Variable Dump
Decals - Low Dump
Decals - Variable Dump
Drive Motor
Electrical Connection Diagram - Battery
Electrical Connection Diagram - Diesel
Electrical Connection Diagram - Gas/LP
Electrical Schematic Diagram - Battery
Electrical Schematic Diagram - Diesel
Electrical Schematic Diagram - Gas/LP
Engine - Diesel
Engine - Gas/LP
Forward & Reverse Control Pedal & Valve
Frame And Related Parts
Front Wheel - Low Dump
Front Wheel - Variable Dump
Fuel Gauge - GAS - Option
Fuel Tank
Headlights And Taillights - Battery - Option
Headlights and Taillights - GAS - Option
Hopper Assembly - Low Dump
Hopper Assembly - Variable Dump
Hopper Lift - Low Dump
Hopper Lift - Variable Dump
Hydraulic Hose System - Low Dump (Battery)
Hydraulic Hose System - Low Dump Diesel
Hydraulic Hose System - Low Dump Gas/LP
Hydraulic Hose System - Variable Dump (Battery)
Hydraulic Hose System - Variable Dump Diesel
Hydraulic Hose System - Variable Dump Gas/LP
Hydraulic Schematics
Low Oil Warning & Shutdown - 0880-444 Gas - Option
LP Components
Main Broom
Main Broom Chamber
Motor - Battery
Motor - Vacuum Fan
Overhead Guard - 0880-484 Low Dump
Overhead Guard - 0880-485 Variable Dump
Pump - Diesel
Pump - Gas/LP
Pump Battery
Rear Wheel
Reservoir
Side Broom
Steering Control
Turn Signals - Battery - Option
Turn Signals - Gas - Option
Vacuum Fan
Warning Light - Battery (Flashing Light) - Option
Warning Light - Battery (Rotating Light) - Option
Warning Light - Battery (Strobe Light) - Option
Warning Light - Gas (Flashing Light) - Option
Warning Light - Gas (Rotating Light) - Option
Warning Light - Gas (Strobe Light) - Option
Wet Sweep By-Pass - 0880-508 Battery - Option
Wet Sweep By-Pass - 0890-507 GAS - LP
Wiring Parts List - Battery
Wiring Parts List - Diesel
Wiring Parts List - Gas/LP



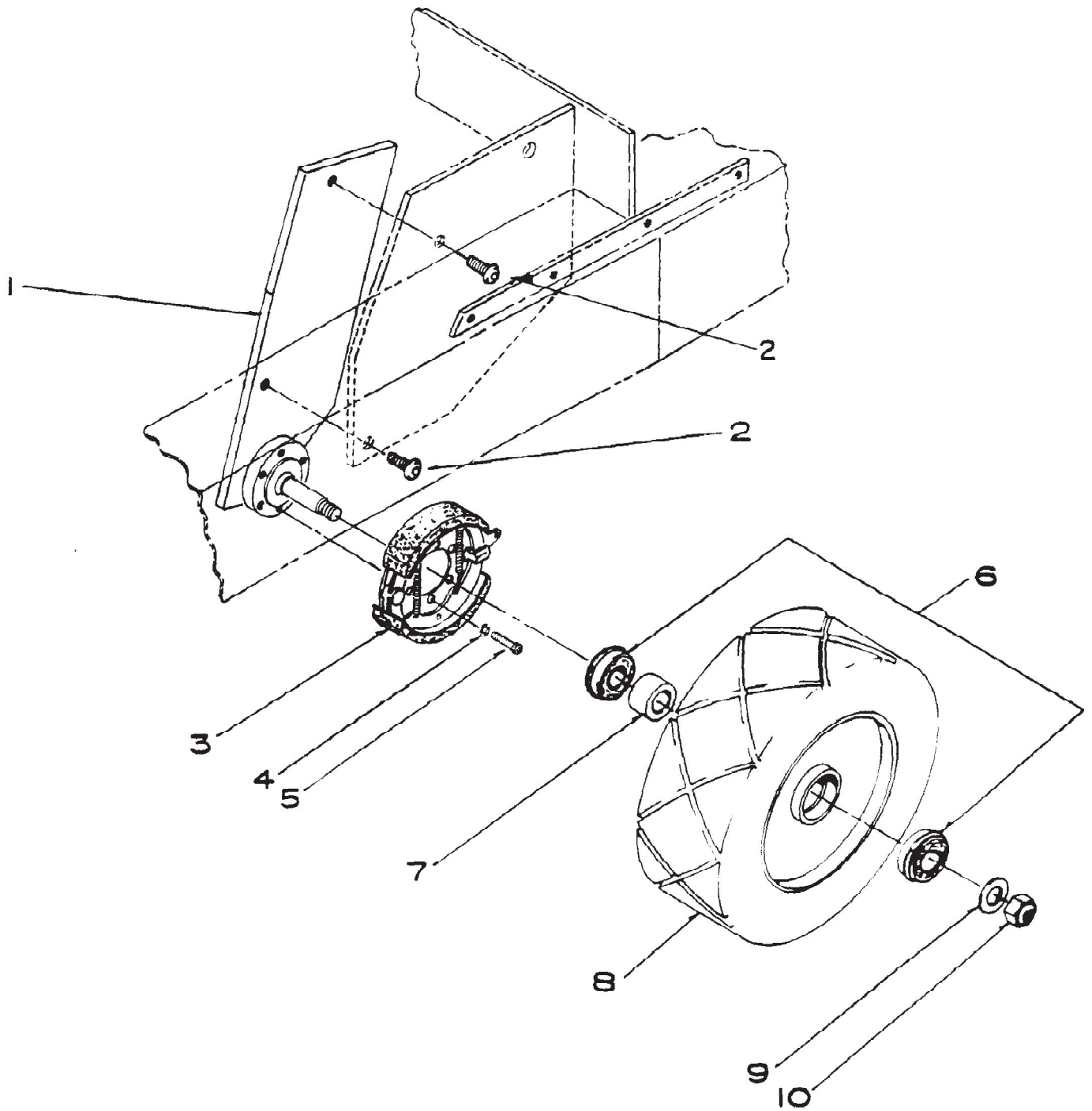
Referenznummer	Artikelnummer	Menge	Description
1	8-64-00008	1	Circuit Breaker, 15 Amp
2	2-00-03418	1	Terminal
3	3-61-00193	1	Wire, 16 AWG (Red) 15ft
4	2-00-04808	2	Terminal
5	8-82-00036	1	Backup Switch
6	2-00-01128	2	Terminal
7	8-32-09009	1	Backup Alarm
8	2-00-00828	1	Terminal
9	3-61-00189	1	Wire, 16 AWG (Black) 10ft
10	8-08-00532	1	Switch Mounting Bracket
11	2-00-00045	2	Screw, #8 - 32 x .374 RHM
12	2-00-00460	2	Flat Washer, .437 x .192 x .031
13	2-00-00529	2	Lock Washer, Helical Spring #8 Med
14	2-00-00602	2	Nut, Hex MS #8 - 32 x .343 x .125
15	2-00-00222	2	Screw, 1/4 - 20 x 1.250 HHM
16	2-00-00205	4	Screw, 1/4 - 20 x 1.000 HHM
17	2-00-03702	6	Flat Washer, .625 x .281 X .062
18	2-00-00518	6	Lock Washer, Helical Spring 1/4 Med
19	2-00-00594	6	Nut, Hex 1/4 - 20 x .437 x .218
	7-13-07096	10	Adjustable Clamp Not shown



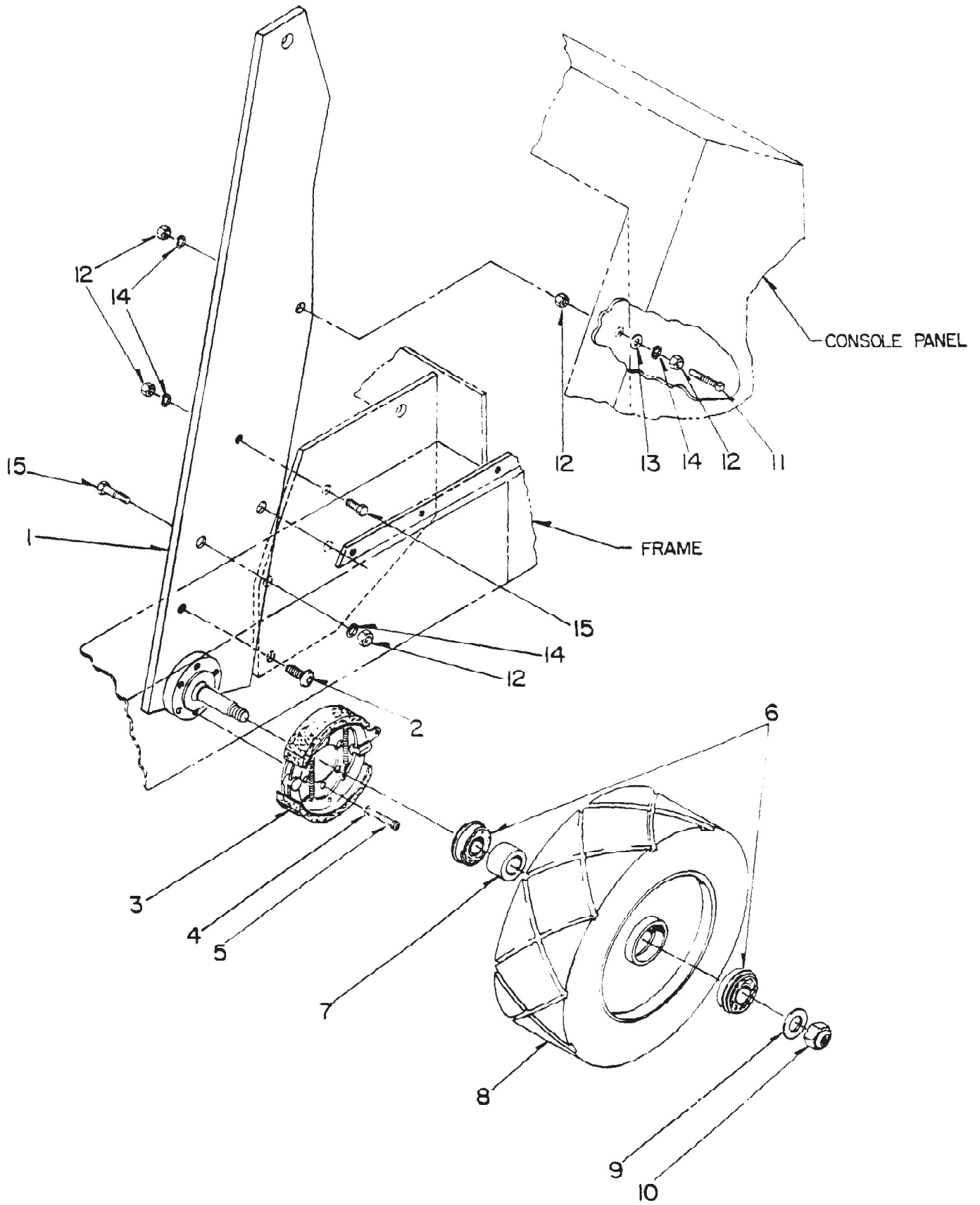
Referenznummer	Artikelnummer	Menge	Description
1	8-64-00008	1	Circuit Breaker, 15 Amp
2	2-00-03418	1	Terminal
3	3-61-00193	1	Wire, 16 AWG (Red) 15ft
4	2-00-04808	2	Terminal
5	8-82-00036	1	Backup Switch
6	2-00-01128	2	Terminal
7	8-32-09009	1	Backup Alarm,
8	2-00-04282	1	Terminal
9	3-61-00189	1	Wire, 16 AWG (Black,) 5ft
10	8-08-00532	1	Switch Mounting Bracket
11	2-00-00045	2	Screw, #8 - 32 x.374 RHM
12	2-00-00460	2	Flat Washer, .437 x . 192 x .031
13	2-00-00529	2	Lock Washer, Helical Spring #8 Med
14	2-00-00602	2	Nut, Hex MS #8 - 32 x .343 x . 125
15	2-00-00222	2	Screw. 1/4 - 20 x 1.250 HHM
16	2-00-00205	4	Screw, 1/4 - 20 x 1.000 HHM
17	2-00-03702	6	Flat Washer, .625 x .281 x .062
18	2-00-00518	6	Lock Washer, Helical Spring 1/4 Med
19	2-00-00594	6	Nut, Hex 1/4 - 20 x.437 x.218
	7-13-07096	10	Adjustable Clamp Not shown



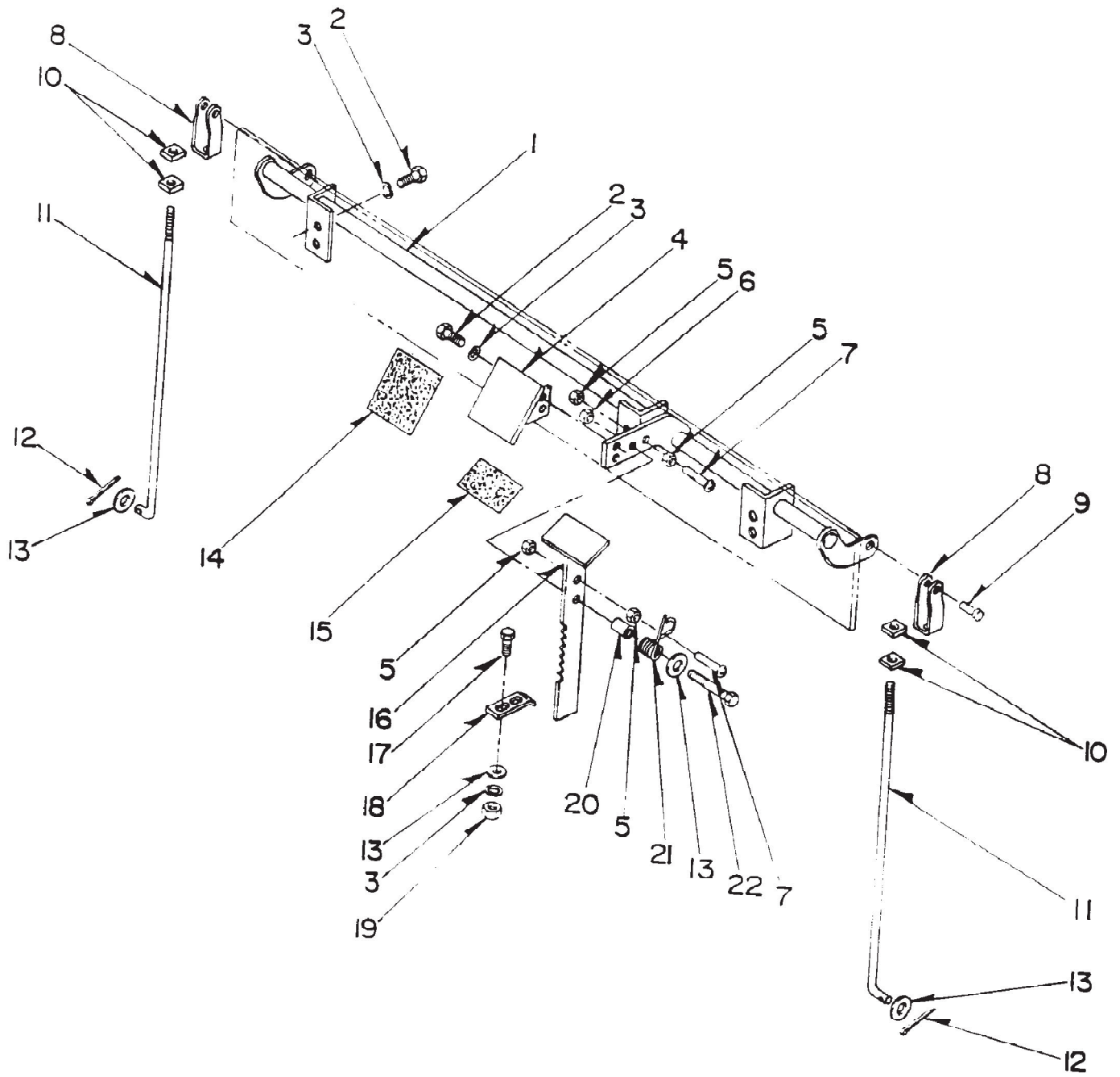
Referenznummer	Artikelnummer	Menge	Description
1	2-00-00586	1	Nut, Hex Jam 5/16 - 18 x .500 x .187
2	8-27-07074	1	Battery Retainer Frame
3	0875-071-1	6	Battery "Wet"
3	0875-072-1	6	Battery "Dry" (Export)
4	8-51-05013	3	Tray
5	8-65-00036	2	Rear Battery Retainer
6	2-00-00220	12	Screw, 1/4 - 20 x .625 HHC
7	8-78-05017	5	Battery Locator Stop
8	2-00-00518	12	Lock Washer, Helical Spring 1/4 Med
9	2-00-00594	12	Nut, Hex 1/4 - 20 x .437 x .218
10	8-90-07306	1	Wire, 36V (-) To ANDERSON Connector
11	8-90-07307	1	Wire, 36V (+) To ANDERSON Connector
12	8-08-00492	1	ANDERSON Connector Bracket
13	2-00-04753	1	ANDERSON Connector
14	0875-070	1	Connector Assembly
15	2-00-00209	2	Screw, 3/8 - 16 x 1.250 HHC
16	2-00-00402	4	Flat Washer, .750 x .390 x .093
17	2-00-00643	2	Nut, Hex Fiber Insert 3/8 - 16
18	2-00-00060	2	Screw, 1/4 - 20 x 1.250 RHM
19	2-95-01915	2	Nut, Hex Hy. Jam 1/4 - 20 x .500 x .171
	0875-074	1	Adapter Connector Not shown
	0775-155-1	1	Battery Charger (115V, 60HZ) Not shown
	0775-158-1	1	Battery Charger (230V, 50HZ) Not shown



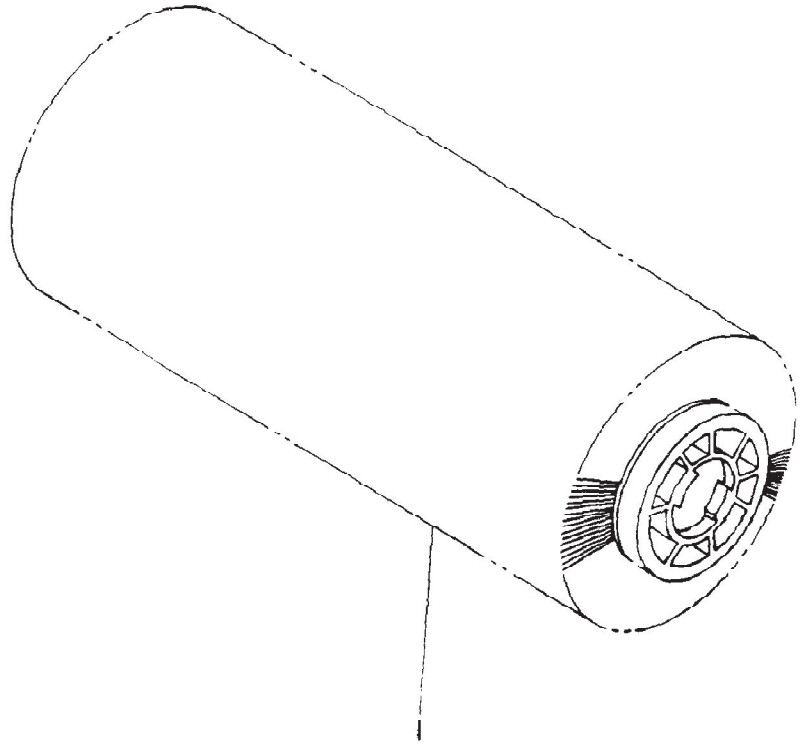
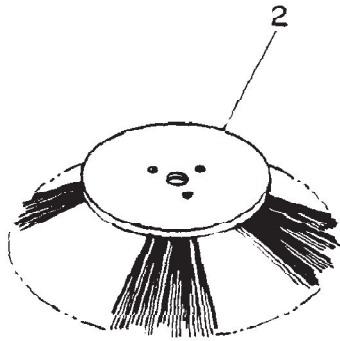
Referenznummer	Artikelnummer	Menge	Description
1	8-03-04209	1	Wheel Arm (L.H.)
1	8-03-04210	1	Wheel Arm (R.H.)
2	2-00-04558	2	Screw, 1/2 - 13 x 1.000 BHSS
3	8-08-02039	2	Brake Assembly
	8-71-05006	2	Brake Shoe
4	2-00-00518	12	Lock Washer, Helical Spring 1/4 Med
5	2-00-03046	12	Screw, 1/4 - 20 x.625 HSHC
6	2-00-04636	4	Bearing
7	8-75-01144	2	Spacer
8	8-89-08042	2	Front Wheel
9	2-00-00408	2	Flat Washer, 1.312 x.656 x.093
10	2-00-00642	2	Nut, Hex Fiber Insert 5/8 - 18
11	2-00-04558	2	Screw, 1/2 - 13 x 1.000 BHSS



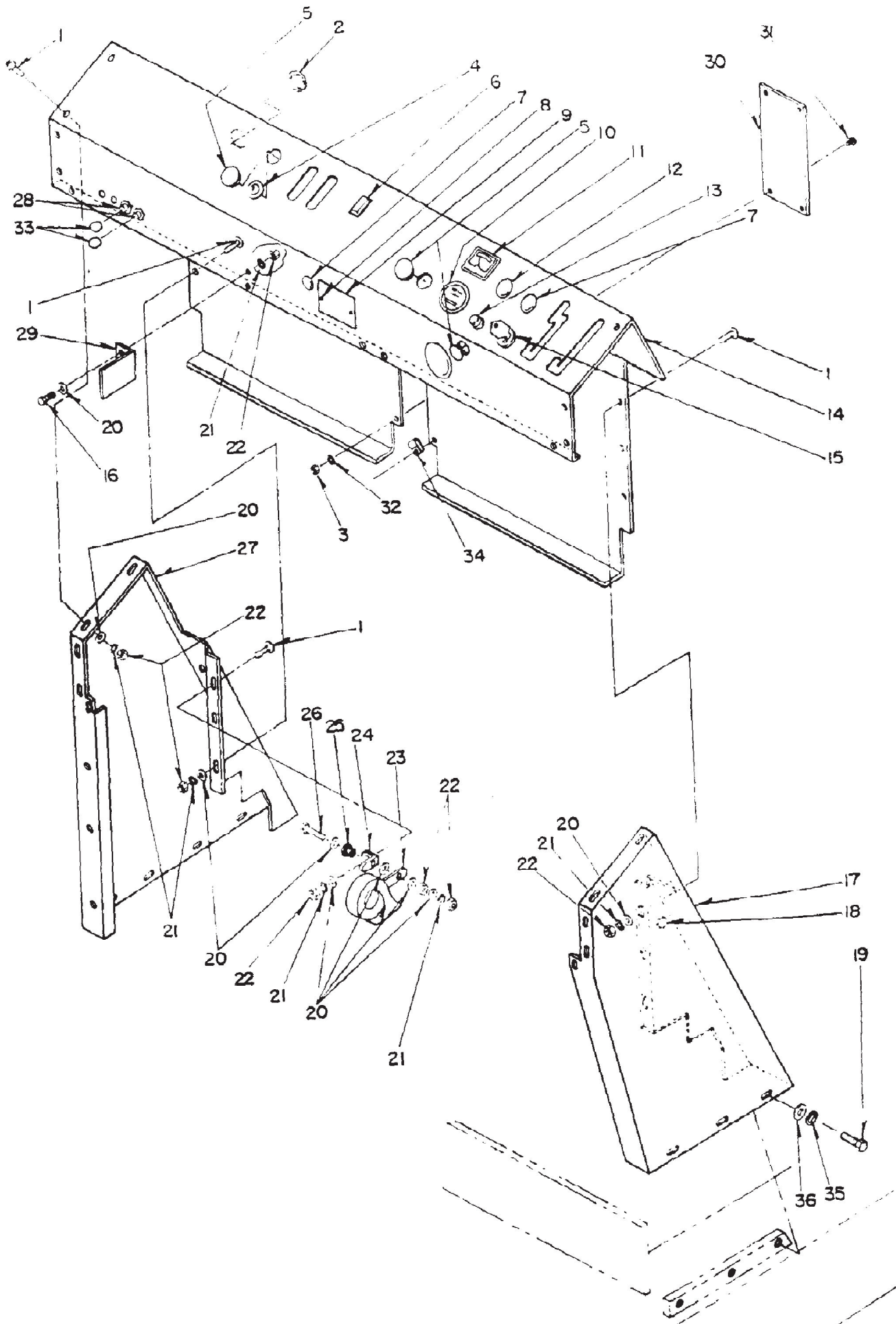
Referenznummer	Artikelnummer	Menge	Description
1	8-03-04274	1	Wheel Arm (L.H.)
1	8-03-04273	1	Wheel Arm (R.H.)
2	2-00-04558	4	Screw, 1/2 - 13 x 1.000 BHSS
3	8-08-02039	2	Brake Assembly
	8-71-05006	2	Brake Shoe
4	2-00-00518	12	Lock Washer, Helical Spring 1/4 Med
5	2-00-03046	12	Screw, 1/4 - 20 x .625 HSHC
6	2-00-04636	4	Bearing
7	8-75-01144	2	Spacer
8	8-89-08042	2	Front Wheel
9	2-00-00408	2	Flat Washer, 1.312 x .656 x .093
10	2-00-00642	2	Nut, Hex Fiber Insert 5/8 - 18
11	2-00-02981	2	Setscrew, 1/2 - 13 x 2.500 SH-CP
12	2-00-00596	10	Nut, Hex 1/2 - 13 x .750 x .437
13	2-00-00405	2	Flat Washer, 1.062 x .531 x .093
14	2-00-02312	10	Lock Washer, Helical Spring 1/2 Med
15	2-00-00241	6	Screw, 1/2 - 13 x 1.750 HHC



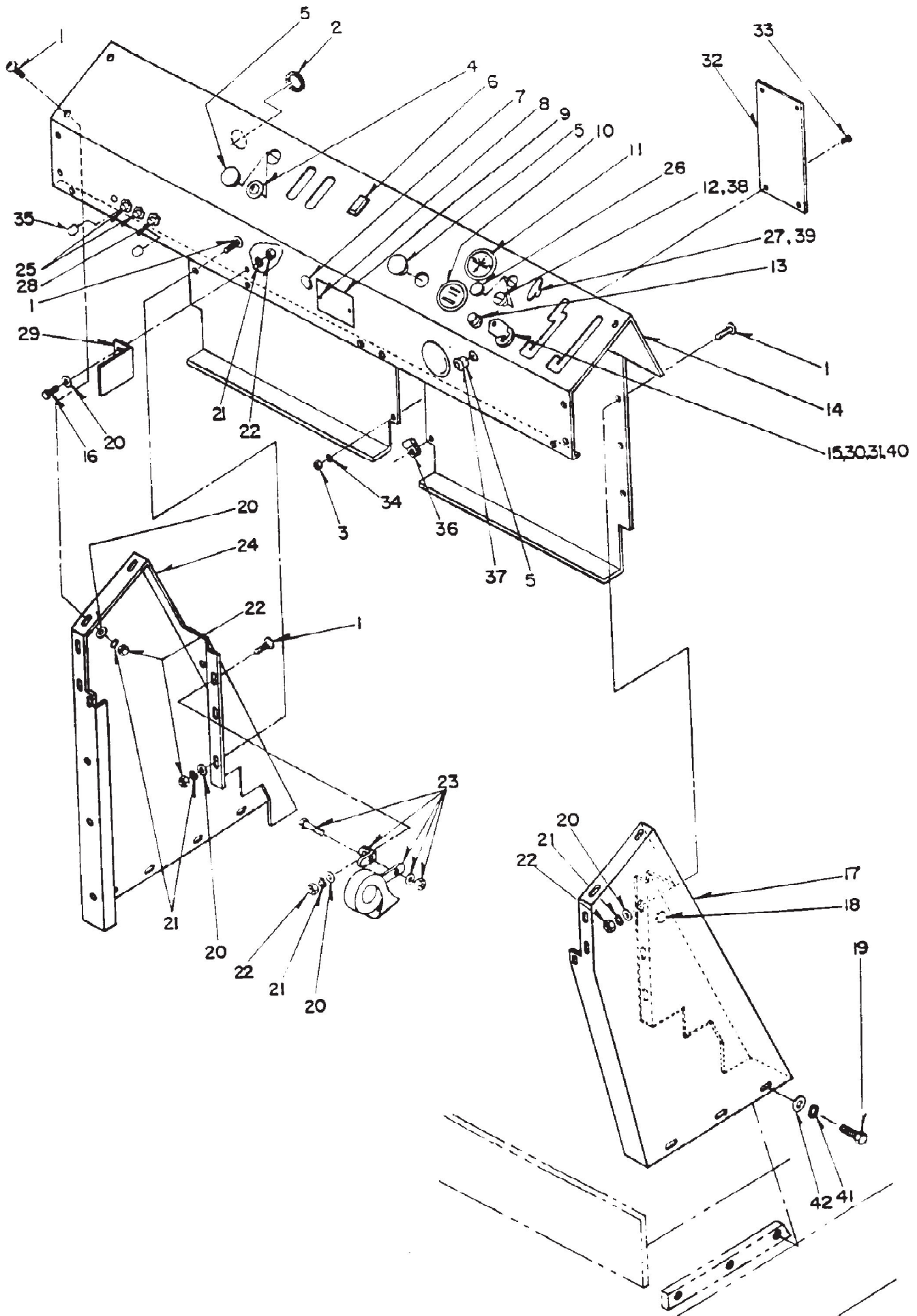
Referenznummer	Artikelnummer	Menge	Description
1	8-66-00130	1	Torsion Rod
2	2-00-00220	8	Screw, 1/4 - 20 x .625 HHC
3	2-00-00518	10	Lock Washer, Helical Spring 1/4 Med
4	8-55-00026	1	Brake Pedal
5	2-00-00605	4	Nut, Hex MS #10 - 24 x .375 x .125
6	2-00-00641	1	Nut, Hex Fiber Insert 1/4 - 20
7	2-00-00039	2	Screw, #10 - 24 x 1.000 RHM
8	8-14-01008	2	Brake Rod Clevis
9	8-55-08088	2	Clevis Pin
10	2-00-00663	4	Nut, SQ. MS 1/4 - 20 x .437 x .187
11	8-66-00129	2	Brake Rod
12	2-00-02418	2	Cotter Pin, .094 x .500 Long
13	2-00-03702	5	Flat Washer, .625 x .281 x .062
14	8-50-05046	1	Pad - Lower Pedal
15	8-50-05045	1	Pad - Upper Pedal
16	8-55-00025	1	Lock Arm Pedal
17	2-00-00221	2	Screw, 1/4 - 20 x .750 HHC
18	8-13-07067	1	Parking Brake Clip
19	2-00-00594	2	Nut, Hex 1/4 - 20 x .437 x .218
20	8-09-01069	1	Spacer, .355 x .259 x .375
21	7-76-00013	1	Spring
22	2-00-02587	1	Screw, 1/4 - 20 x 1.250 HHC



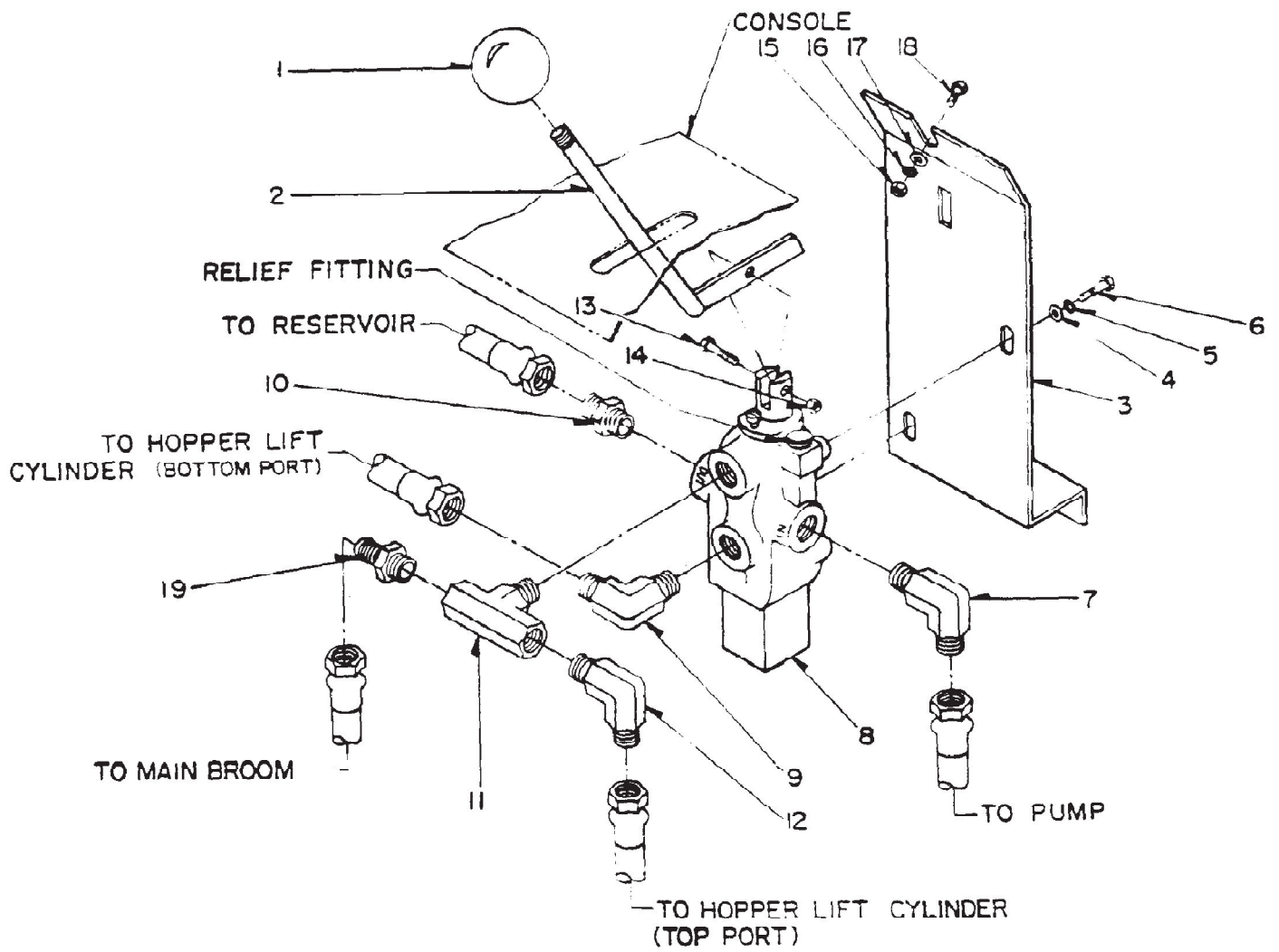
Referenznummer	Artikelnummer	Menge	Description
1	8-08-03137	1	Proex (Standard with machine)
1	8-08-03141	1	Proex and Wire
1	8-08-03142	1	Nylon
2	8-08-03140	1	Polypropylene (Standard with machine)



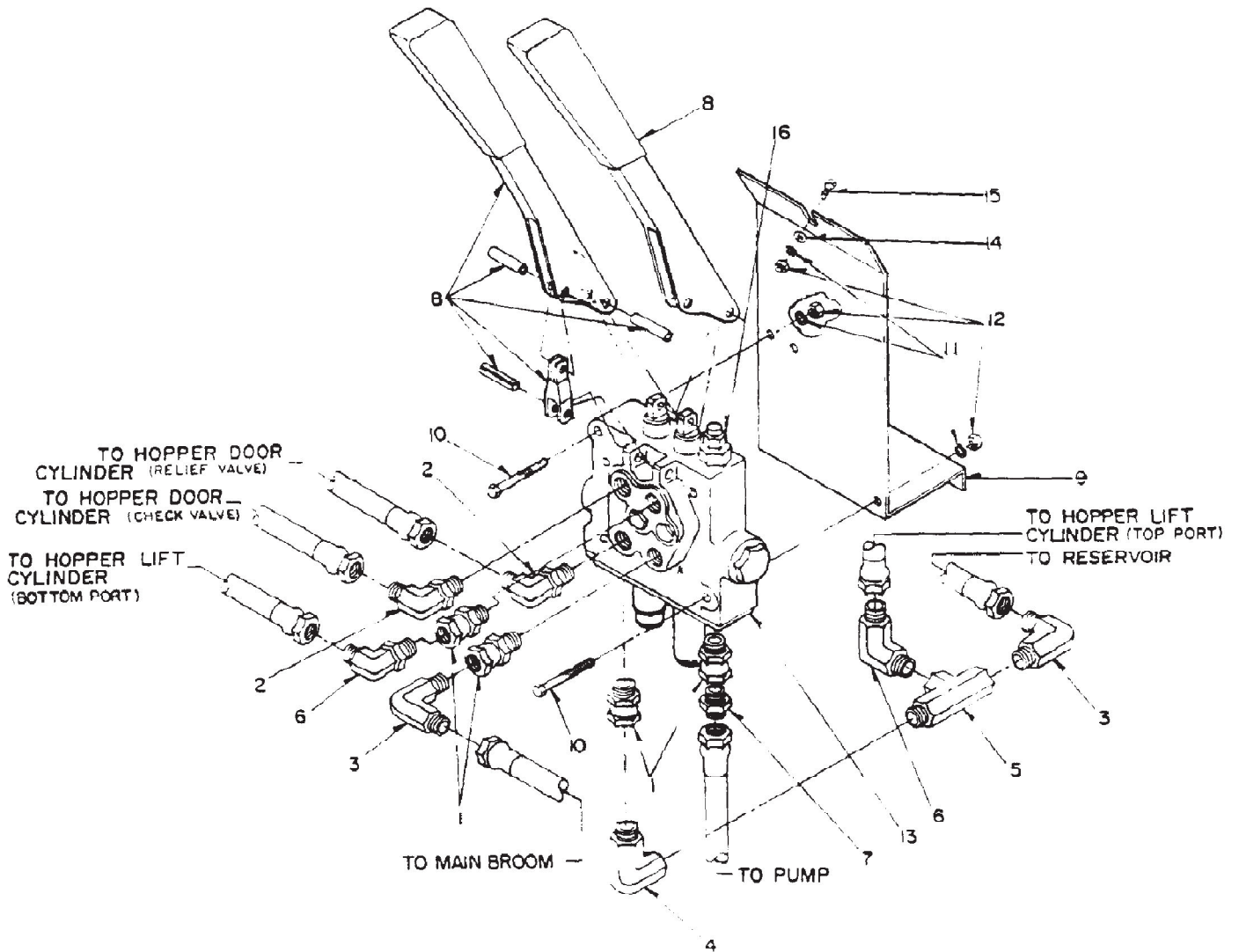
Referenznummer	Artikelnummer	Menge	Description
1	2-00-04677	22	Screw, 1/4 - 20 x .750 BHS
2	8-21-04029	1	Edging (Variable Dump Only)
3	2-00-00605	1	Nut, Hex MS #10 - 24 x .375 x .125 Low Dump Machine Only
4	7-40-05018	1	Broom Door Pilot Light (Variable Dump)
5	2-00-03712	3	Plug Button, .690
6	8-82-00045	1	Switch
7	2-00-00581	2	Plug Button, .530
8	2-00-04115	2	Blind Rivet, 1/8 x 1/8
9		1	Serial Plate
10	8-48-05009	1	Hour Meter
11	7-48-05024	1	Battery Condition Meter
12	2-00-00577	1	Plug Button .375
13	8-82-00028	1	Horn Switch
14	8-52-00148	1	Instrument Panel
15	8-82-00042	1	Key Switch
16	2-00-00221	2	Screw, 1/4 - 20 x .750 HHC
17	8-52-00136	1	Right Hand Side Console
18	2-00-00581	2	Plug Button, .539 (Low Dump Machine Only)
19	2-00-00208	7	Screw, 5/16-18 x .750 HHC
20	2-00-03702	26	Flat Washer, .625 x .281 x .062
21	2-00-00518	23	Lock Washer, Helical Spring 1/4 Med
22	2-00-00594	24	Nut, Hex 1/4 - 20 x .437 x .218
23	8-32-09013	1	Horn (12 VDC)
24	8-08-00491	1	Isolator Bracket
25	8-75-01133	1	Isolator
26	2-00-00203	1	Screw, 1/4 - 20 x 1.500 HHC
27	8-52-00137	1	Left Hand Side Console
28	8-64-00008	2	Circuit Breaker (15 Amp)
29	8-08-00639	1	Cover Bracket
30	8-16-07313	1	Cover Low Dump Machine Only
31	2-00-03940	4	Screw, #10 - 24 x .500 THM Low Dump Machine Only
32	2-00-00519	1	Lock Washer, Helical Spring #10 Med Low Dump Machine Only
33	8-11-00044	2	Protective Boot
34	2-00-04602	1	Hose Clamp, .500 Low Dump Machine Only
35	2-00-00530	7	Lock Washer, Helical Spring 5/16 Med
36	2-95-01942	7	Flat Washer, .750 x .312 x .059



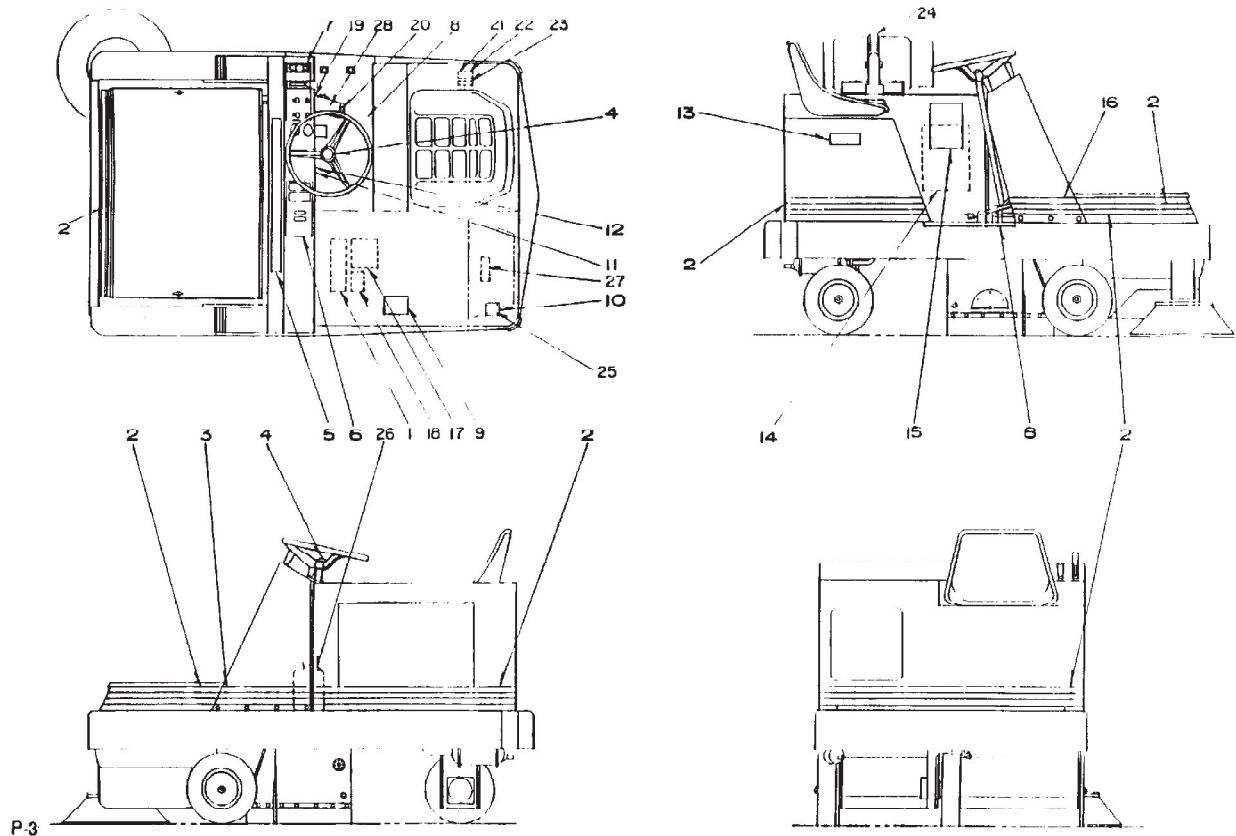
Referenznummer	Artikelnummer	Menge	Description
1	2-00-04677	22	Screw, 1/4 - 20 x.750 BHS
2	8-21-04029	1	Edging (Variable Dump Only)
3	2-00-00605	1	Nut, Hex MS #10 - 24 x .375 x. 125 (Low Dump)
4	7-40-05018	1	Broom Door Pilot Light (Variable Dump)
5	2-00-03712	1	Plug Button, .690
6	8-82-00045	1	Switch
7	2-00-00581	1	Plug Button, .530
8	2-00-04115	2	Blind Rivet, 1/8 x 1/8
9		1	Serial Plate
10	8-48-05009	1	Hour Meter
11	8-48-05003	1	Ammeter
12	8-16-00047	1	Choke Cable (Gas Only)
13	8-82-00028	1	Horn Switch
14	8-52-00148	1	Instrument Panel
15	8-82-00043	1	Key Switch
16	2-00-00221	2	Screw, 1/4 - 20 x .750 HHC
17	8-52-00136	1	Right Hand Side Console
18	2-00-00581	2	Plug Button, .530 (Low Dump Only)
19	2-00-00208	7	Screw, 5/16-18 x .750 HHC
20	2-00-03702	23	Flat Washer, .625 x .281 x .062
21	2-00-00518	22	Lock Washer, Helical Spring 1/4 Med
22	2-00-00594	22	Nut, Hex 1/4 - 20 x .437 x .218
23	8-32-09013	1	Horn (12 VDC)
24	8-52-00137	1	Left Hand Side Console
25	8-64-00008	2	Circuit Breaker (15 Amp)
26	2-00-00577	1	Plug Button, .375 (LP only)
27	8-16-00046	1	Throttle Cable (Gas and LP)
28	8-64-00006	1	Circuit Breaker (5 Amp)
29	8-08-00639	1	Cover Bracket
30	2-00-00512	4	Lock Washer, #10, Int.
31	2-00-04694	4	Nut, Hex MS #10 - 32 x .375 x .125
32	8-16-07313	1	Cover (Low Dump Only)
33	2-00-03940	4	Screw, #10 - 24 x .500 T/C HH (Low Dump)
34	2-00-00519	4	Lock Washer, Helical Spring #10 Med (Low Dump)
35	8-11-00044	3	Protective Boot
36	2-00-04602	1	Hose Clamp, .500 (Diesel Only)
37	7-40-05018	1	Key Switch Signal Light (Diesel Only)
38	8-16-00020	1	Stop Cable (Diesel Only)
39	8-16-00028	1	Throttle Cable (Diesel Only)
40	8-82-00041	1	Key Switch (Diesel Only)
41	2-00-00530	7	Lock Washer, Helical Spring 5/16 Med
42	2-95-01942	7	Flat Washer, .750 x .312 x .059



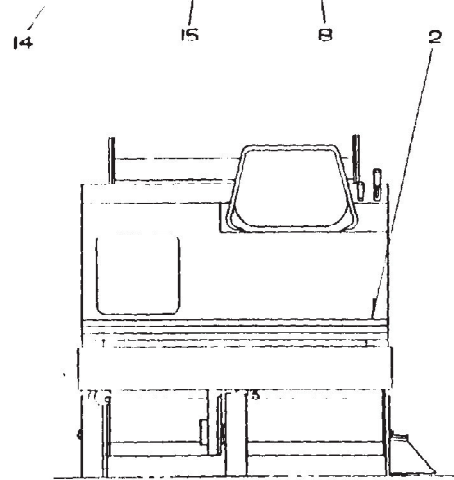
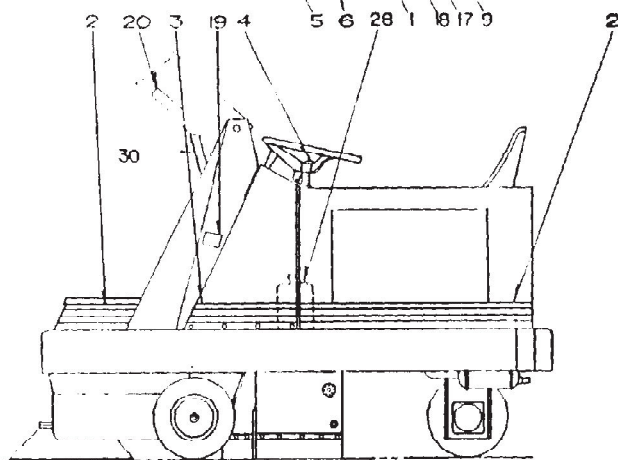
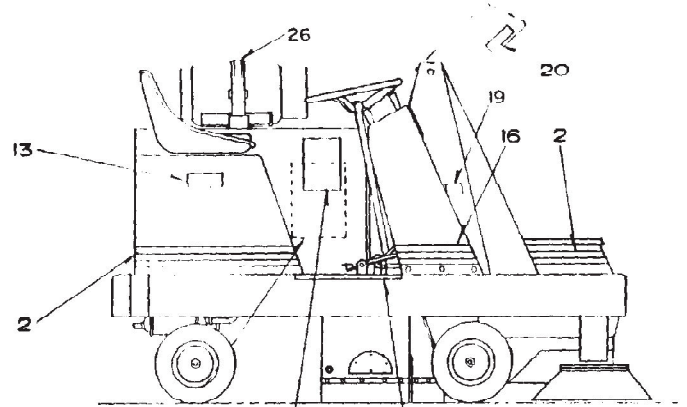
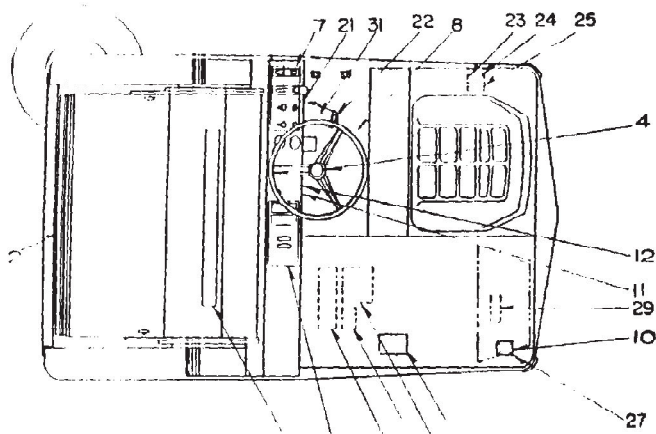
Referenznummer	Artikelnummer	Menge	Description
1	8-39-00002	1	Knob
2	8-41-05069	1	Valve Lever
3	8-08-00634	1	Valve Mounting Bracket
4	2-00-00410	2	Flat Washer, .875 x .375 x .062
5	2-00-00511	2	Lock Washer, #6 Int.
6	2-00-00231	2	Screw, 3/8 - 16 x .625 HHC
7	2-00-04215	1	37ø JIC 90ø Elbow M, 3/4-14 / 3/4-16
8	8-88-00011	1	Control Valve
9	2-00-04500	1	37ø JIC 90ø Elbow M, 1/2-14 - 9/16-18
10	2-00-04362	1	37ø JIC Male Connector, 3/4-14 / 3/4-16
11	2-00-04497	1	Male Branch Tee, 1/2-14, M to F
12	2-00-04216	1	37ø JIC 90ø Elbow M, 1/2-14 / 3/4-16
13	2-00-02588	1	Screw, 1/4 - 20 x 1.125 HHC
14	2-00-00641	1	Nut, Hex Fiber Insert 1/4 - 20
15	2-00-00594	2	Nut, Hex 1/4 - 20 x .437 x .218
16	2-00-00518	2	Lock Washer, Helical Spring 1/4 Med
17	2-00-03702	2	Flat Washer, .625 x .281 x .062
18	2-00-00220	2	Screw, 1/4 - 20 x .625 HHC
19	2-00-04528	1	37ø JIC Male Connector, 1/2-14 / 3/4-16



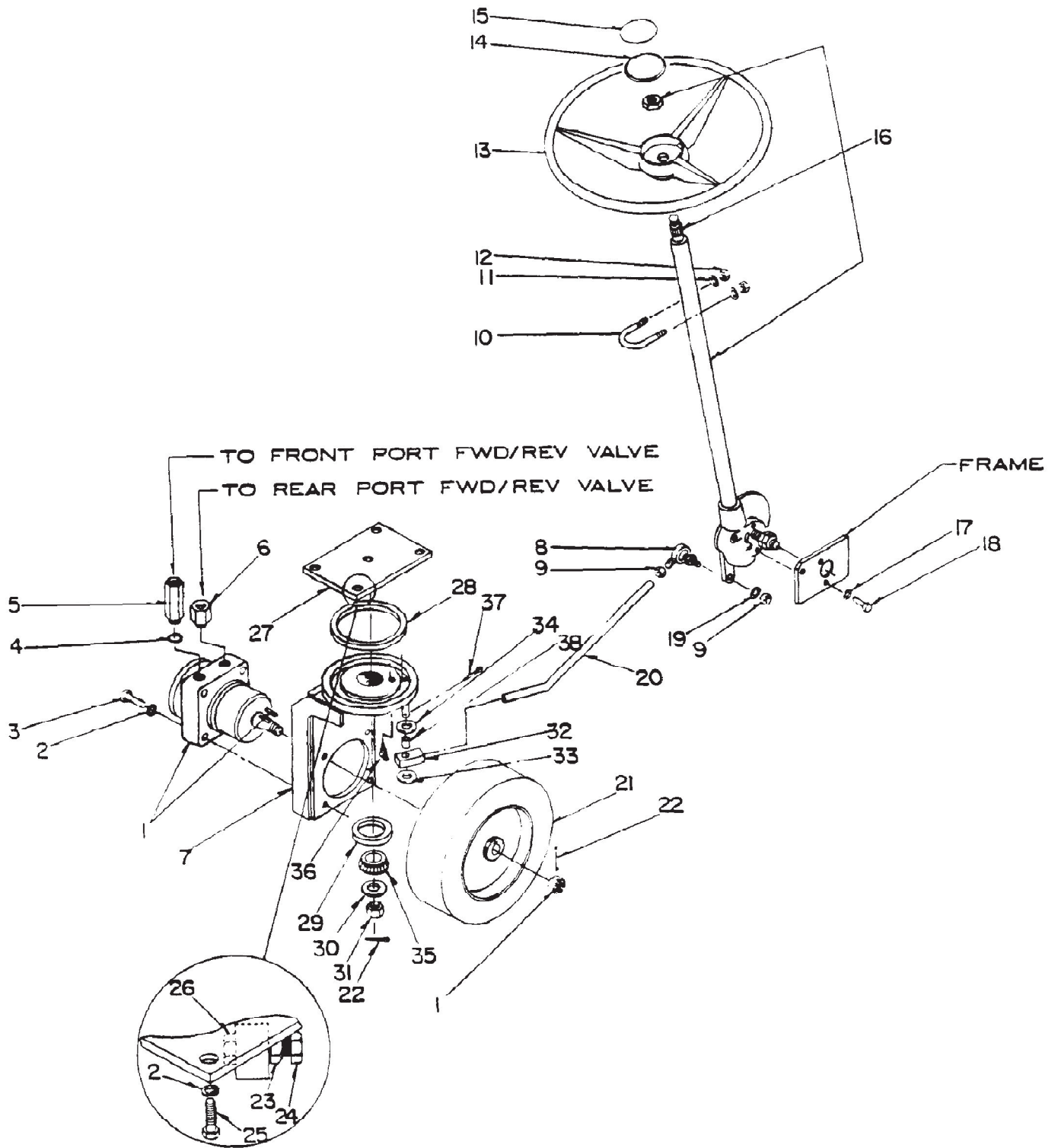
Referenznummer	Artikelnummer	Menge	Description
1	2-00-04640	4	37ø JIC Swivel Adapter, 9/16-18 to 1/2-14 NPT
2	2-00-04595	2	37ø JIC Str. Thread 90ø Elbow, 9/16-18
3	2-00-04547	2	37ø JIC 90ø Elbow M, 3/8-18 / 3/4-16
4	2-00-04589	1	Street Elbow, 90ø 3/8-18 M to F
5	2-00-04462	1	Street Tee, 3/8-18 M to F
6	2-00-04472	2	37ø JIC 90ø Elbow M, 3/8-18 / 9/16-18
7	2-00-04548	1	37ø JIC Male Connector, 3/8-18 / 3/4-16
8	7-31-06063	2	Handle Kit
9	8-58-05245	1	Valve Mounting Plate
10	2-00-02589	2	Screw, 1/4 - 20 x 2.000 HHC
11	2-00-00518	4	Lock Washer, Helical Spring 1/4 Med
12	2-00-00594	4	Nut, Hex 1/4 - 20 x .437 x .218
13	8-88-00048	1	Control Valve
14	2-00-03702	2	Flat Washer, .625 x .281 x .062
15	2-00-00220	2	Screw, 1/4 - 20 x .625 HHC
16	8-76-00069	1	Relief Spring (Battery & Diesel)



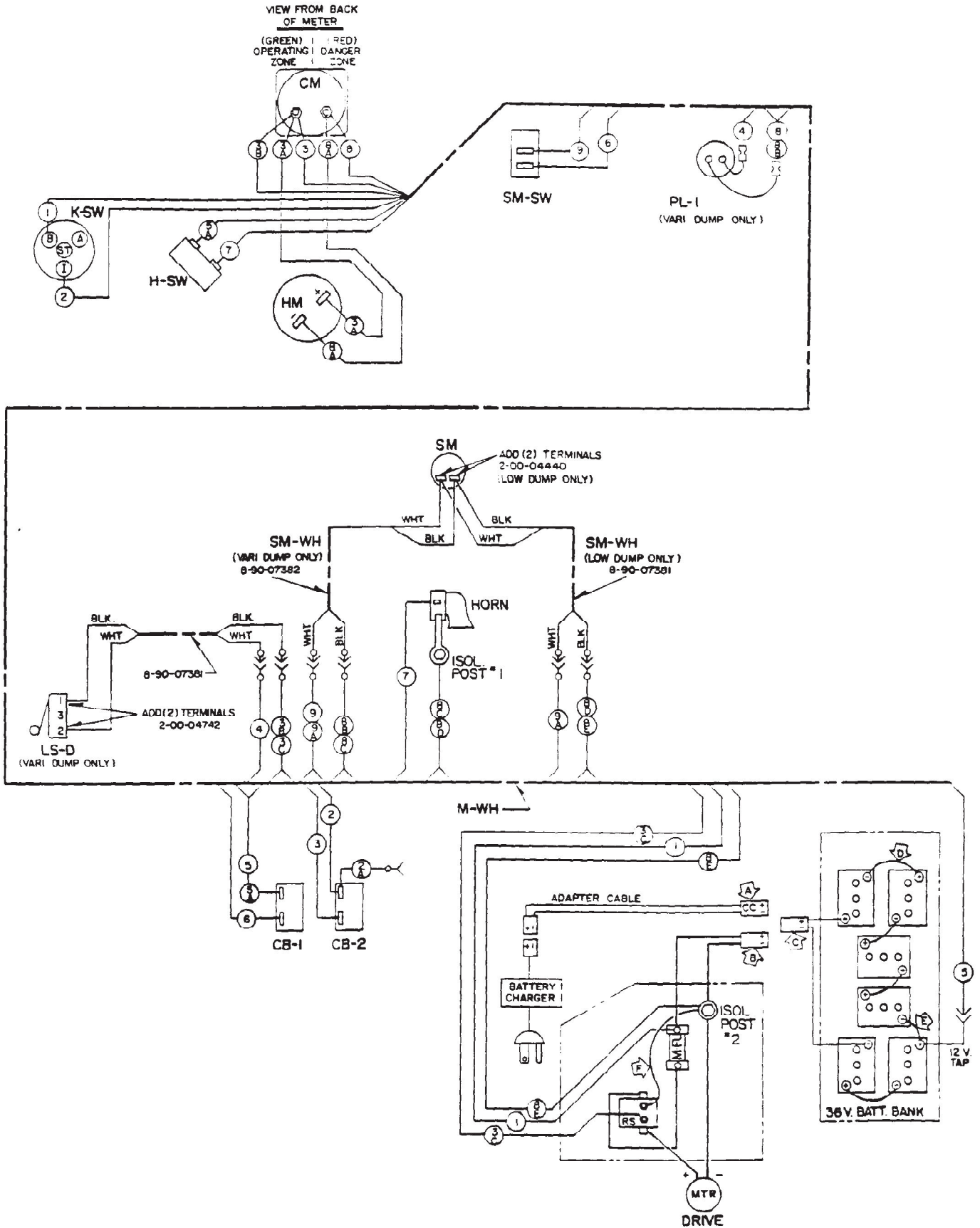
Referenznummer	Artikelnummer	Menge	Description
1	8-18-00175	1	Decal, Battery Installation (Battery Only)
2	8-18-00224	1	Decal, Bulk Tape 16ft
3	8-18-00229	1	Decal, Console (L.H.)
4	8-18-00066	1	Decal, Dot
5	8-18-00347	1	Decal, Clarke/American-Lincoln
6	8-18-00322	1	Decal, Hopper Control
7	8-18-00323	1	Decal, Engine and Broom Control
8	8-50-05044	1	Pad, Floor
9	8-18-00167	1	Decal, Caution (LP only)
10	8-58-05203	1	Decal, Tank Description (LP only)
11	2-00-04115	2	Rivet
12		Ref	Plate, Serial Number
13	8-18-00325	1	Decal, 6100
14	8-18-00335	1	Decal, Service Chart
15	8-18-00272	1	Decal, Warning (General)
16	8-18-00228	1	Decal, Console (R.H.)
17	8-18-00176	1	Decal, Attention (Battery Only)
18	8-18-00177	1	Decal, Charging Instructions (Battery Only)
19	7-40-00005	1	Decal, Forward
20	7-40-00006	1	Decal, Reverse
21	8-18-00311	1	Decal, Diesel Fuel (Diesel ONLY)
22	8-18-00085	1	Decal, Caution (Diesel ONLY)
23	8-18-00277	1	Decal, Warning (Gasoline ONLY)
24	8-18-00169	1	Decal, LP Attention (LP ONLY)
25	2-00-04115	4	Blind Rivet (LP ONLY)
26	8-18-00306	1	Decal, Hydraulic Fluid Only
27	8-18-00326	1	Decal, Warning - Hot Surfaces
28	8-50-05022	1	Pad, Foot Pad
	0880-405	1	Gray Touch Up Paint Not shown

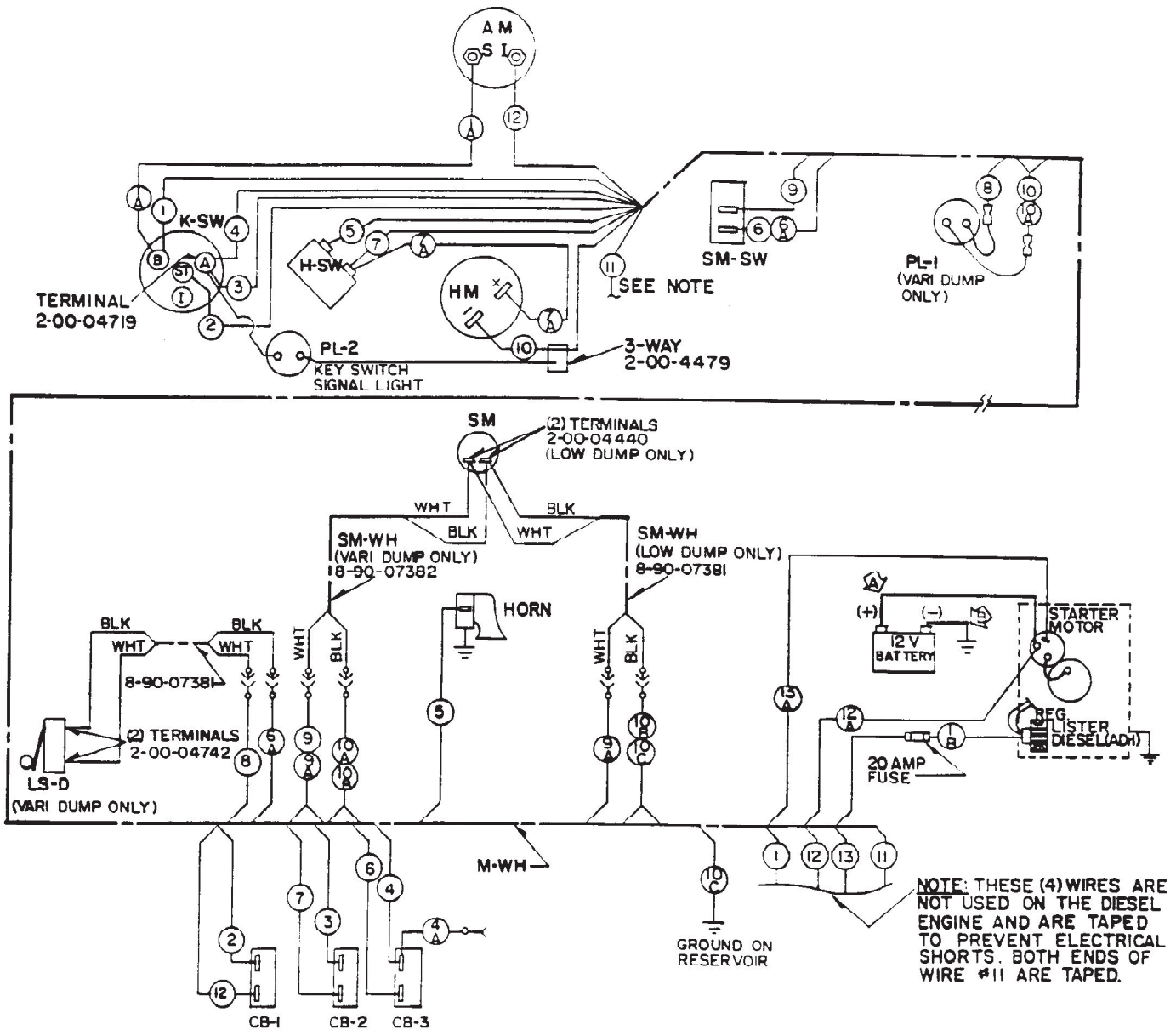


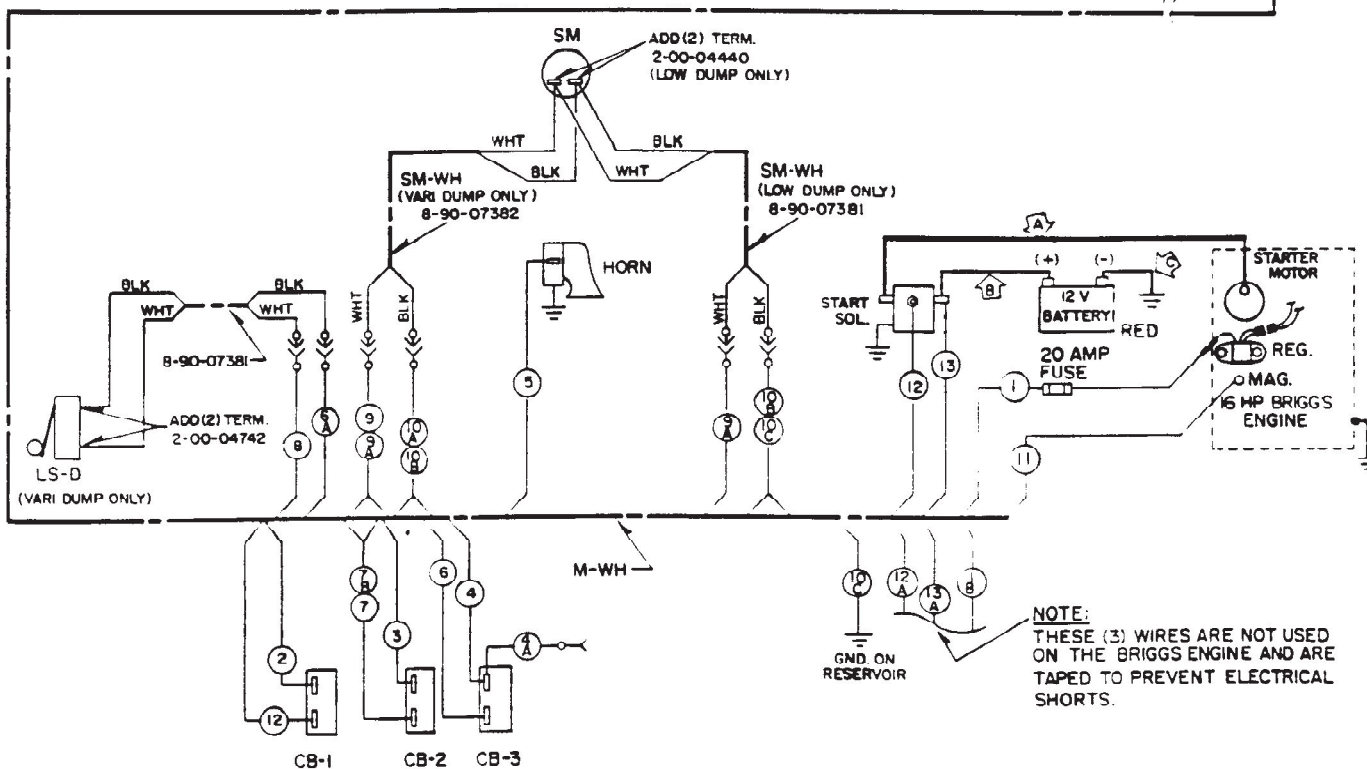
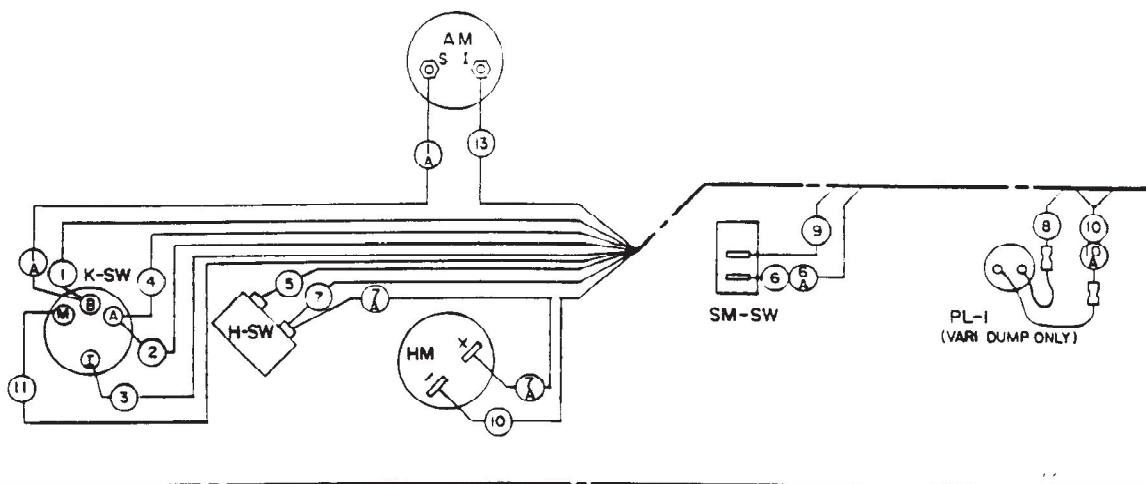
Referenznummer	Artikelnummer	Menge	Description
1	8-18-00175	2	Decal, Battery Instruction (Battery Only)
2	8-18-00224	1	Decal, Bulk Tape 16ft
3	8-18-00229	1	Decal, Console (L.H.)
4	8-18-00066	1	Decal, Dot
5	8-18-00347	1	Decal, Clarke/American-Lincoln
6	8-18-00322	1	Decal, Hopper Control
7	8-18-00323	1	Decal, Engine and Broom Control
8	8-50-05044	1	Pad, Floor
9	8-18-00167	1	Decal, Caution (LP only)
10	8-58-05203	1	Decal, Tank Description (LP only)
11	2-00-04115	2	Rivet
12			Plate, Serial Number
13	8-18-00325	1	Decal, 6100
14	8-18-00335	1	Decal, Service Chart
15	8-18-00272	1	Decal, Warning (General)
16	8-18-00228	1	Decal, Console (R.H.)
17	8-18-00176	1	Decal, Attention (Battery Only)
18	8-18-00177	1	Decal, Charging Instructions (Battery Only)
19	8-18-00305	2	Decal, Pinch Point
20	8-18-00330	2	Decal, Safety Arm
21	7-40-00005	1	Decal, Forward
22	7-40-00006	1	Decal, Reverse
23	8-18-00311	1	Decal, Diesel Fuel (Diesel ONLY)
24	8-18-00085	1	Decal, Caution (Diesel ONLY)
25	8-18-00277	1	Decal, Warning (Gasoline ONLY)
26	8-18-00169	1	Decal, LP Attention (LP ONLY)
27	2-00-04115	4	Blind Rivet (LP ONLY)
28	8-18-00306	1	Decal, Hydraulic Fluid Only
29	8-18-00326	1	Decal, Warning - Hot Surfaces
30	8-18-00077	1	Decal, Safety Arm
31	8-50-05022	1	Pad, Foot Pad
	0880-405	1	Gray Touch Up Paint Not shown

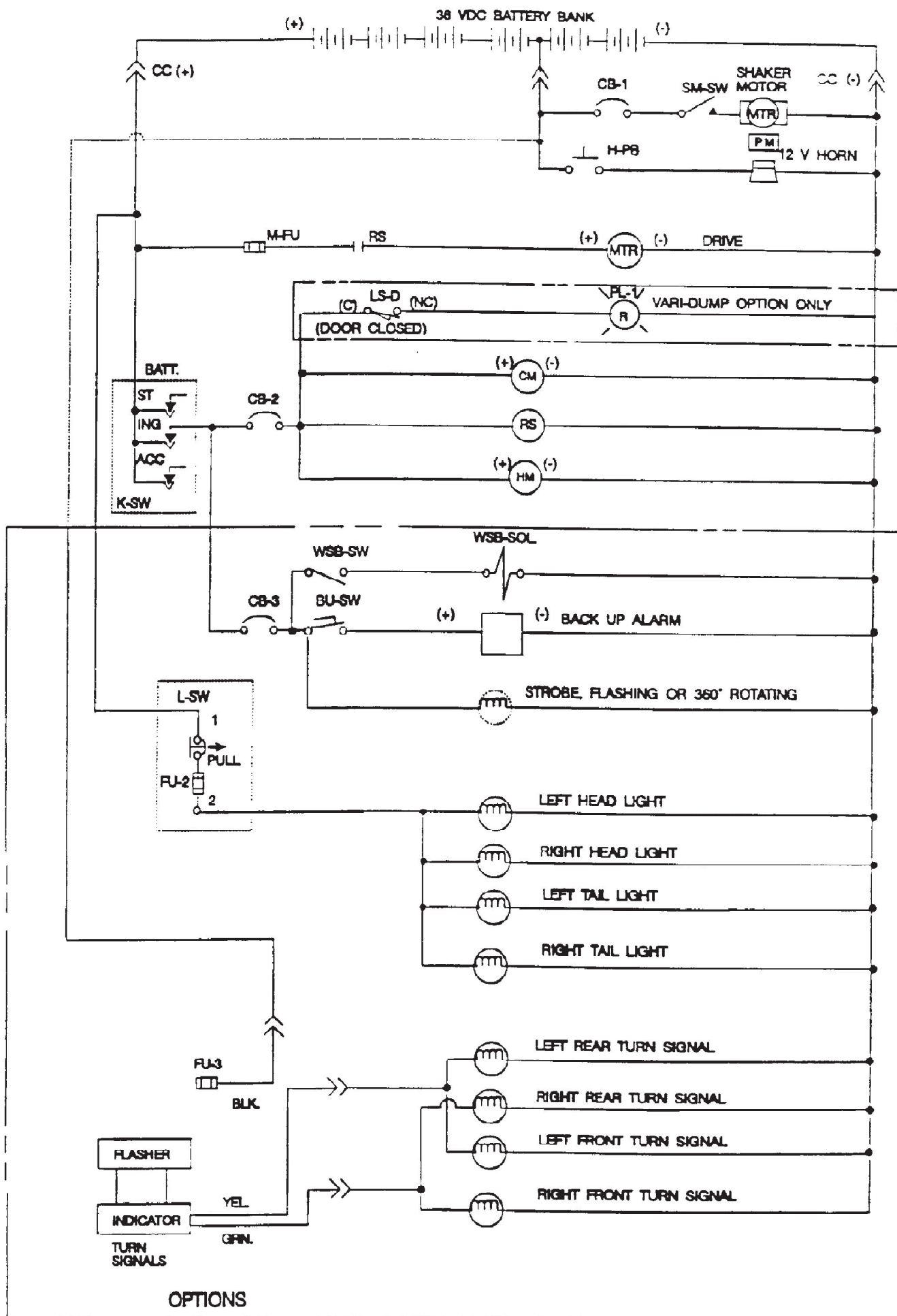


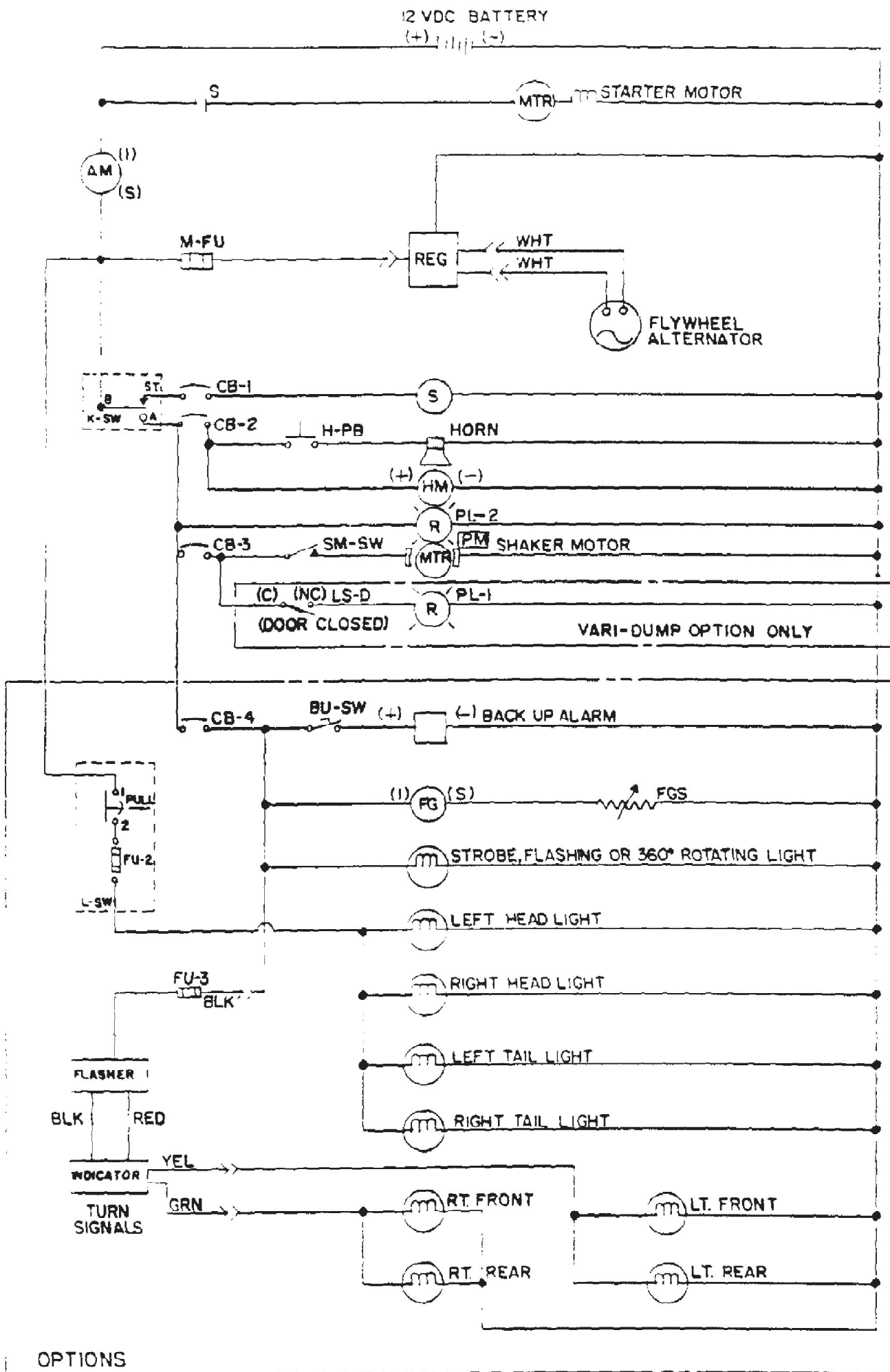
Referenznummer	Artikelnummer	Menge	Description
1	0885-072	1	Motor, Drive Wheel (Battery)
1	0885-073	1	Motor, Drive Wheel (Gas/LP/Diesel)
1	2-00-04852	1	Key, .312 1.000 SQ
1	8-50-03001	1	Nut Hex 1 - 21 Castle
2	2-00-02312	8	Lock Washer, Helical Spring 1/2 Med
3	2-00-02694	4	Screw, 1/2 - 20 x 2.250 HHC
4	2-00-04748	1	O-Ring, .955 x .755 x .097
5	8-03-02037	1	Adapter, Hydraulic Fitting
6	2-00-04990	1	ORFS Boss Reducer, 7/8-14 / 3/4-16
7	8-58-05254	1	Yoke, Rear Wheel
8	8-25-02019	1	Rod End Assembly
9	2-00-00611	2	Nut, Hex Jam 3/8 - 24 x .562 x .218
10	8-13-07003	1	U-Bolt, 1/4 - 20 x 1.500 x 2.250
11	2-00-03702	2	Flat Washer, .625 x .281 x .062
12	2-00-00641	2	Nut, Hex Fiber Insert 1/4 - 20
13	8-89-08016	1	Steering Wheel
14	8-11-00022	1	Plastic Cap, Steering Wheel
15	8-18-00066	Ref	Decal
16	0801-567	1	Steering Gear
		1	Washer, Foam
	2-00-00642	1	Nut, Hex Fiber Insert 5/8 - 18
17	2-00-02310	3	Lock Washer, Helical Spring 3/8 Med
18	2-00-00233	3	Screw, 3/8 - 16 x 1.000 HHC
19	2-00-00505	2	Lock Washer, 3/8 Int.
20	8-42-05128	1	Rod, Steering Tie
21	8-89-08041	1	Rear Wheel
22	2-00-00776	2	Cotter Pin, .125 x 1.500
23	2-00-00586	1	Nut, Hex Jam 5/16-18 x .500 x .187
24	2-00-02708	1	Screw, 5/16 - 18 x 1.000 HHM
25	2-00-00240	4	Screw, 1/2 - 13 x 1.250 HHC
26	2-00-00224	1	Screw, 5/16 - 18 x .500 HHC
27	8-58-05211	1	Mounting Plate
28	2-00-04840	1	Thrust Bearing
29	2-00-04621	1	Tapered Roller Bearing Cup
30	8-75-01157	1	Thrust Washer
31	2-00-04841	1	Nut, Hex Slotted 3/4 - 16 x .641
32	8-25-02035	1	Fitting, Rod End
33	2-00-04801	1	Flat Washer, .875 x .375 x .125
34	2-00-00405	1	Flat Washer, 1.062 x .531 x .093
35	2-00-02079	1	Roller Bearing Cone and Seal
36	2-00-02562	1	Lubrication Fitting, 45° Drive 3/16
37	2-00-00775	1	Cotter Pin, 1/8 x 1.000
38	2-00-05053	1	Bearing Sleeve

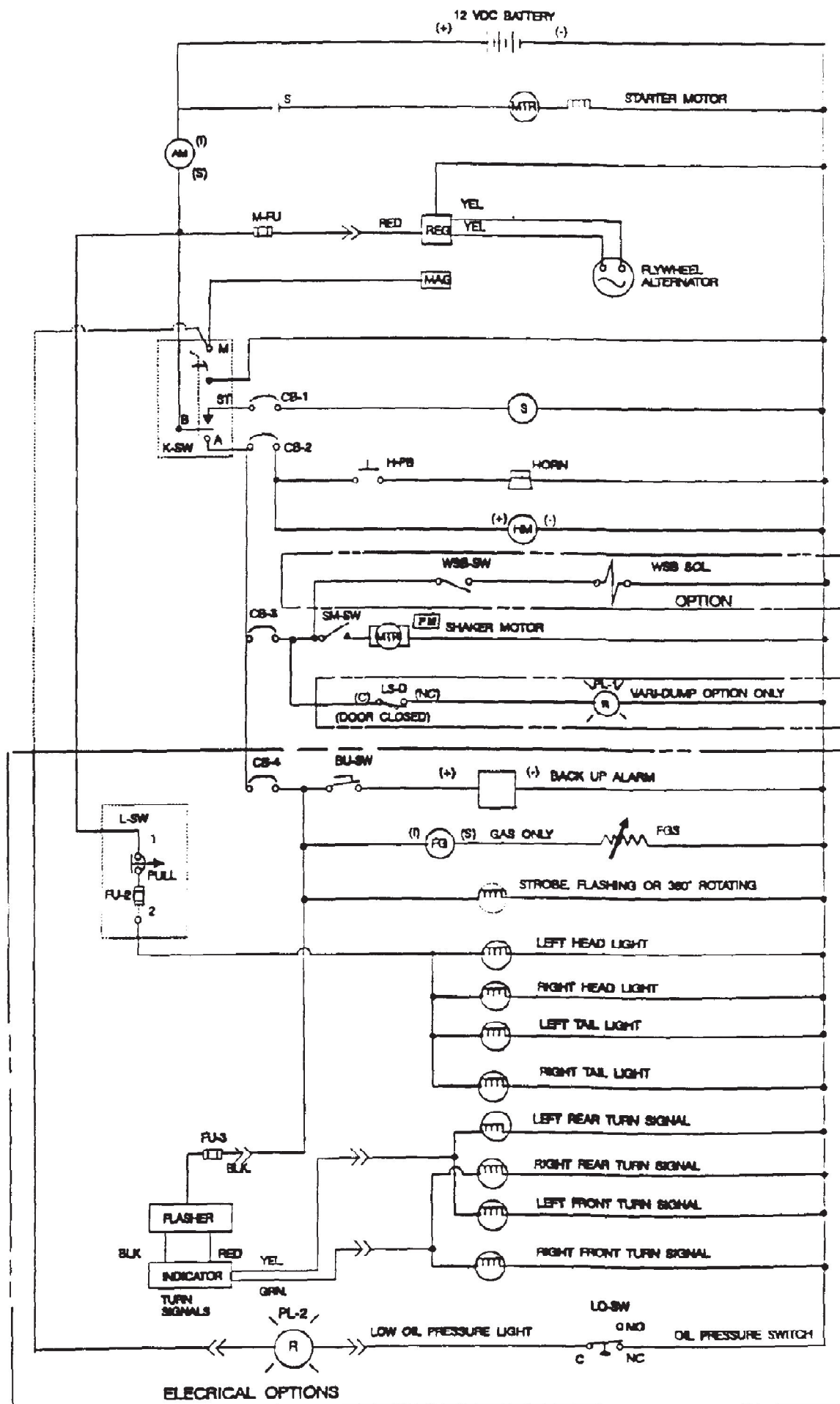


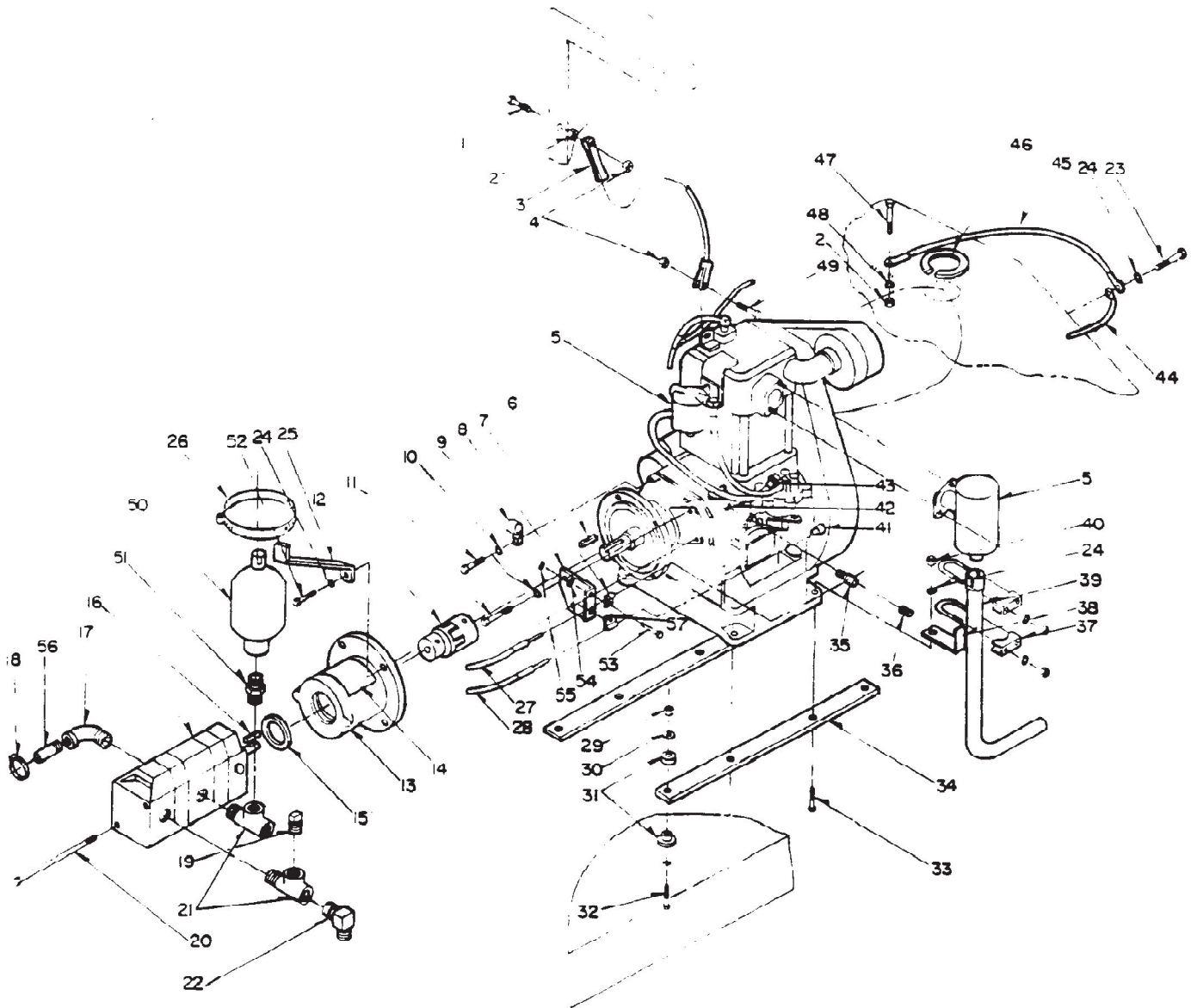






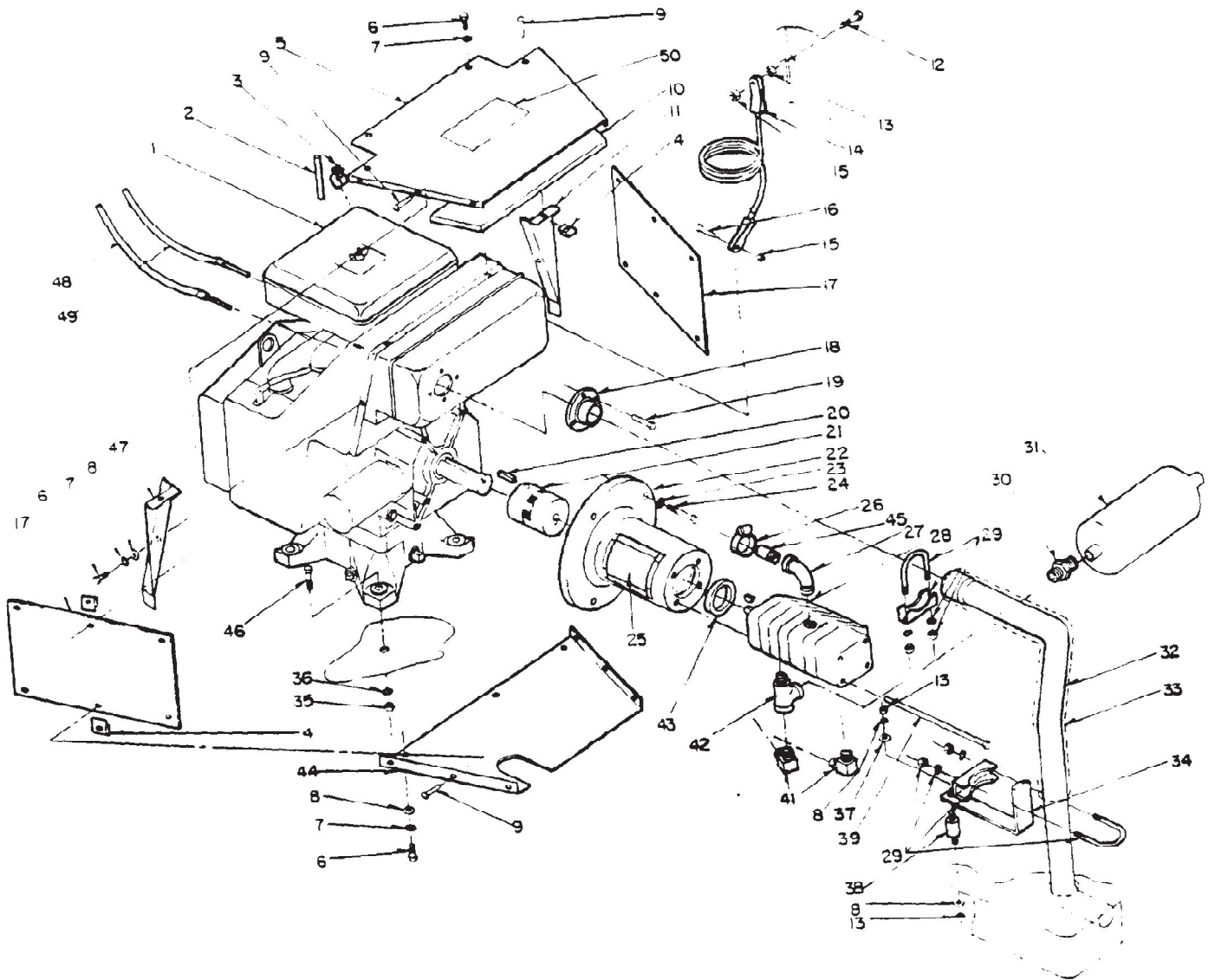




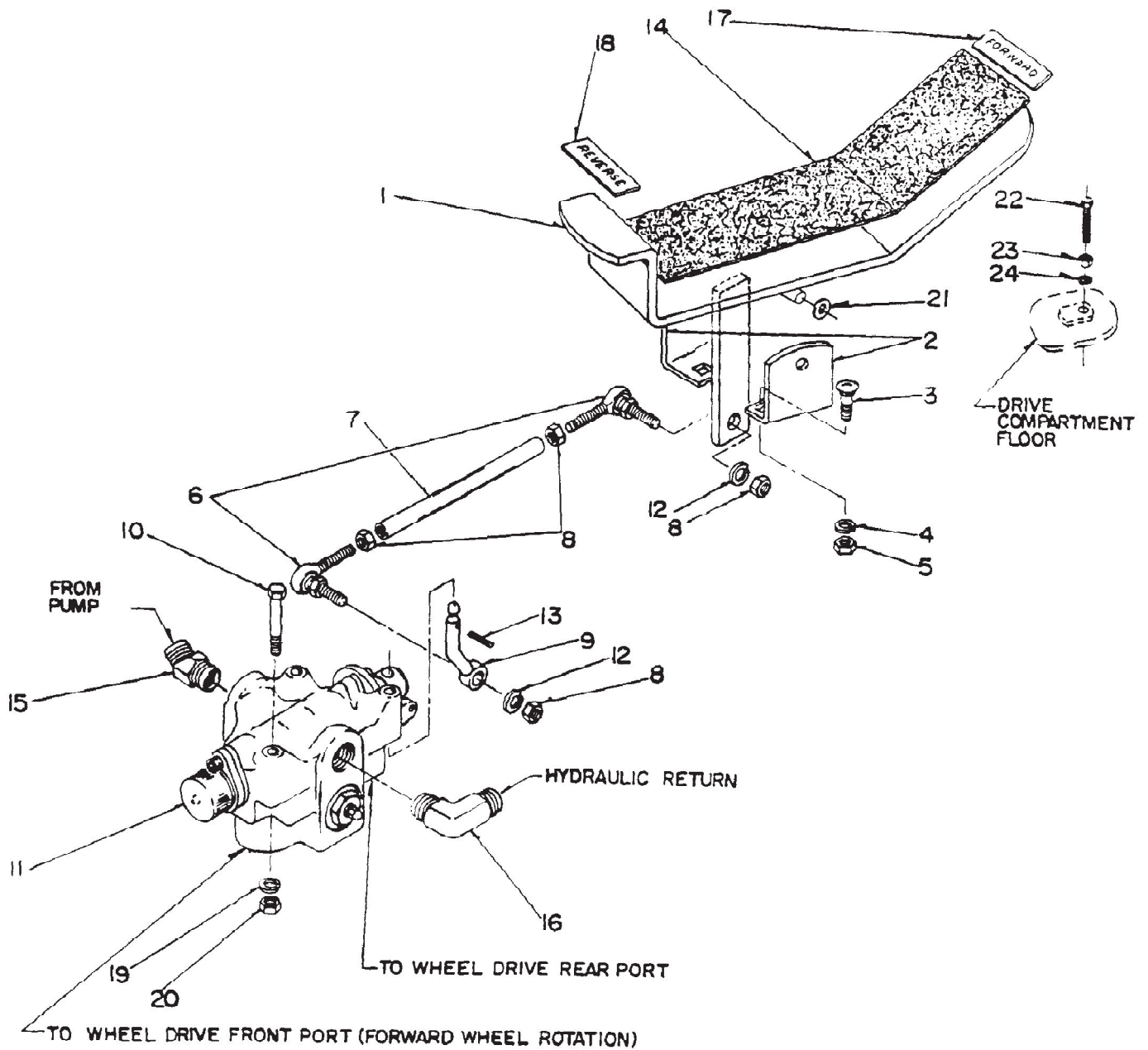


Referenznummer	Artikelnummer	Menge	Description
1	2-00-00205	1	Screw, 1/4 - 20 x 1.000 HHC
2	2-00-00594	2	Nut, Hex 1/4 - 20 x .437 x .218
3	8-10-00027	1	Cable
4	2-00-00641	2	Nut, Hex Fiber Insert 1/4 - 20
5	0877-047	1	Engine and Muffler (LISTER AD-1)
6	2-00-02282	1	Key, .250 x 1.500 SRB
7	2-00-04250	1	Cable Clamp, .187
8	8-08-00654	1	Throttle Bracket
9	2-00-04602	1	Cable Clamp .500
10	2-00-00530	3	Lock Washer, Helical Spring 5/16 Med
11	2-00-00213	3	Screw, 5/16 - 18 x .625 HHC
12	8-16-05022	1	Coupling
	8-75-05018	1	HYTREL Element (Service)
13	8-33-05101	1	Pump Mounting Housing
14	8-16-07321	1	Pump Housing Cover
15	8-65-06021	1	Housing Ring
16	8-60-05015	1	Pump with Key
17	2-00-04469	1	Street Elbow 90° 3/4-14 M-F
18	2-00-02220	1	Hose Clamp, .812 - 1.500
19	2-00-02474	1	Pipe Plug, 1/2 NPT (Pressure Gauge Port)
20	2-00-04732	2	Screw, 5/16 - 18 x 8.00 HHC
21	2-00-04482	2	Street Tee 1/2 - 14 M/F
22	2-00-04216	1	37° - JIC 90° Elbow M, 1/2-14 / 3/4-16
23	2-00-00233	1	Screw, 3/8 - 16 x 1.000 HHC
24	2-00-02310	9	Lock Washer, Helical Spring 3/8 Med
25	8-08-00655	1	Accumulator Bracket
26	2-00-03959	1	Hose Clamp, 3.562 - 4.500
27	8-16-00020	1	Stop Cable
28	8-16-00028	1	Throttle Cable
29	2-00-00643	4	Nut, Hex Fiber Insert 3/8 - 16
30	2-00-04851	4	Flat Washer, 1.560 x .391 x .090 (13 ga.)
31	8-75-01183	4	Isolator Mount
32	2-00-00216	4	Screw, 3/8 - 16 x 2.000 HHC
33	2-00-00234	4	Screw, 3/8 - 16 x 1.500 HHC
34	8-62-05021	2	Rail
35	2-95-03057	1	Cable Fitting
36	2-00-00258	1	Setscrew, #10 - 24 x .375 HS-KCP
37	7-13-07076	1	U - Clamp
38	8-08-00686	1	Exhaust Bracket
39	8-56-04040	1	Exhaust Pipe
40	2-00-02360	4	Nut, Hex 3/8 - 16 x .562 x .328
41	8-25-02033	1	Cable Fitting
42	2-00-01246	1	Nut, Hex Fiber Insert #10 - 24
43	2-00-04850	1	Hose Clamp, .490
44	8-90-07296	1	Wire
45	8-90-07299	1	Wire
46	8-08-07042	1	Edging
47	2-00-00221	1	Screw, 1/4 - 20 x .750 HHC
48	2-00-00518	1	Lock Washer, Helical Spring 1/4 Med
49	2-00-00051	1	Screw, 1/4 - 20 x .750 RHM
50	8-83-04028	1	Accumulator
51	8-25-02025	1	Fitting, Restrictor
52	2-00-00209	4	Screw, 3/8-16 x 1.250 HHC
53	2-00-00049	2	Screw, #10-24 x .500 RHM
54	2-00-00519	2	Lock Washer, Helical Spring #10 Med
55	2-00-00605	2	Nut, Hex MS #10-24 x .375 x .125

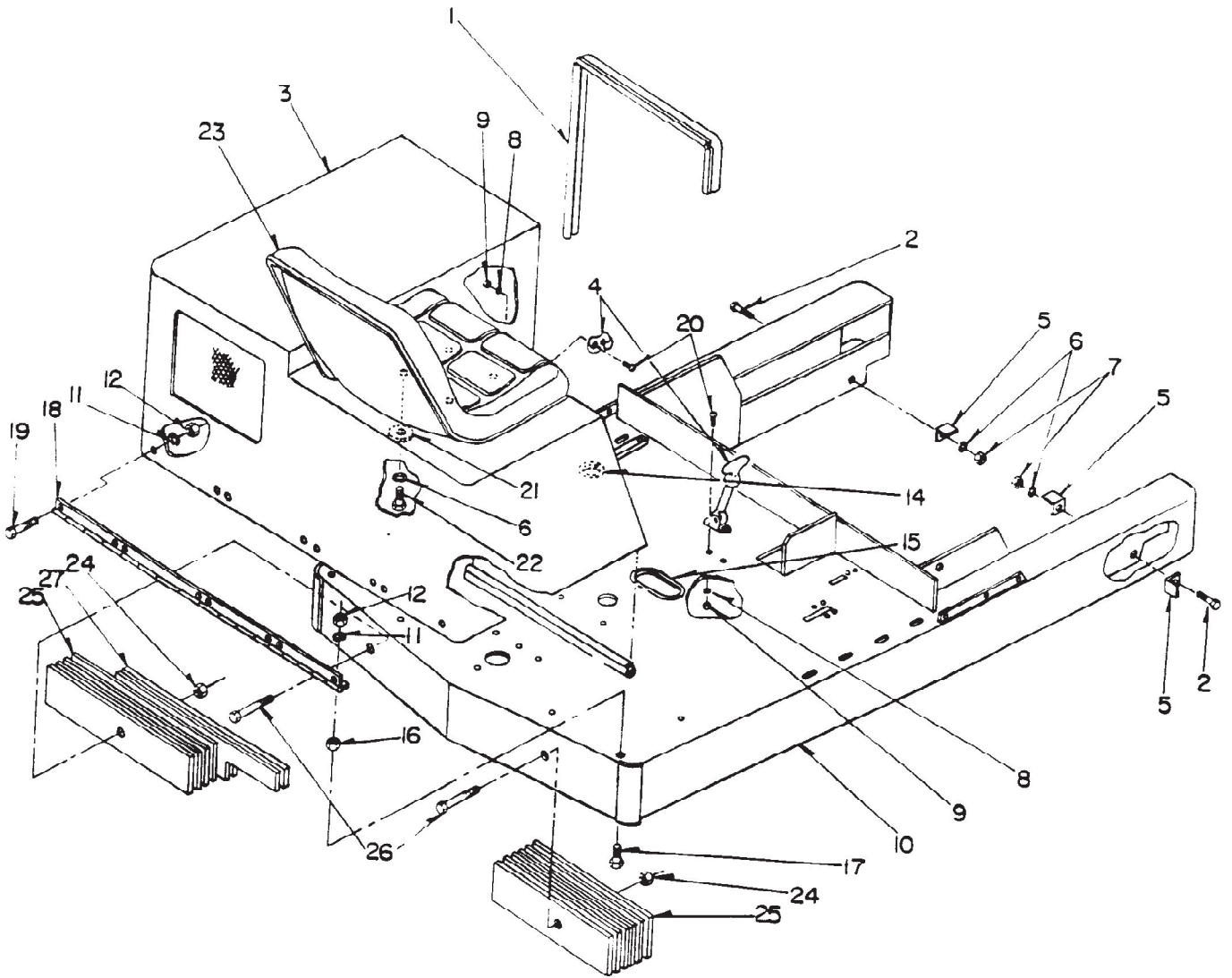
Referenznummer	Artikelnummer	Menge	Description
56	2-00-03585	1	Pipe Nipple, 3/4 NPT x 2 (Thd one end)
57	2-00-05106	1	Clamp



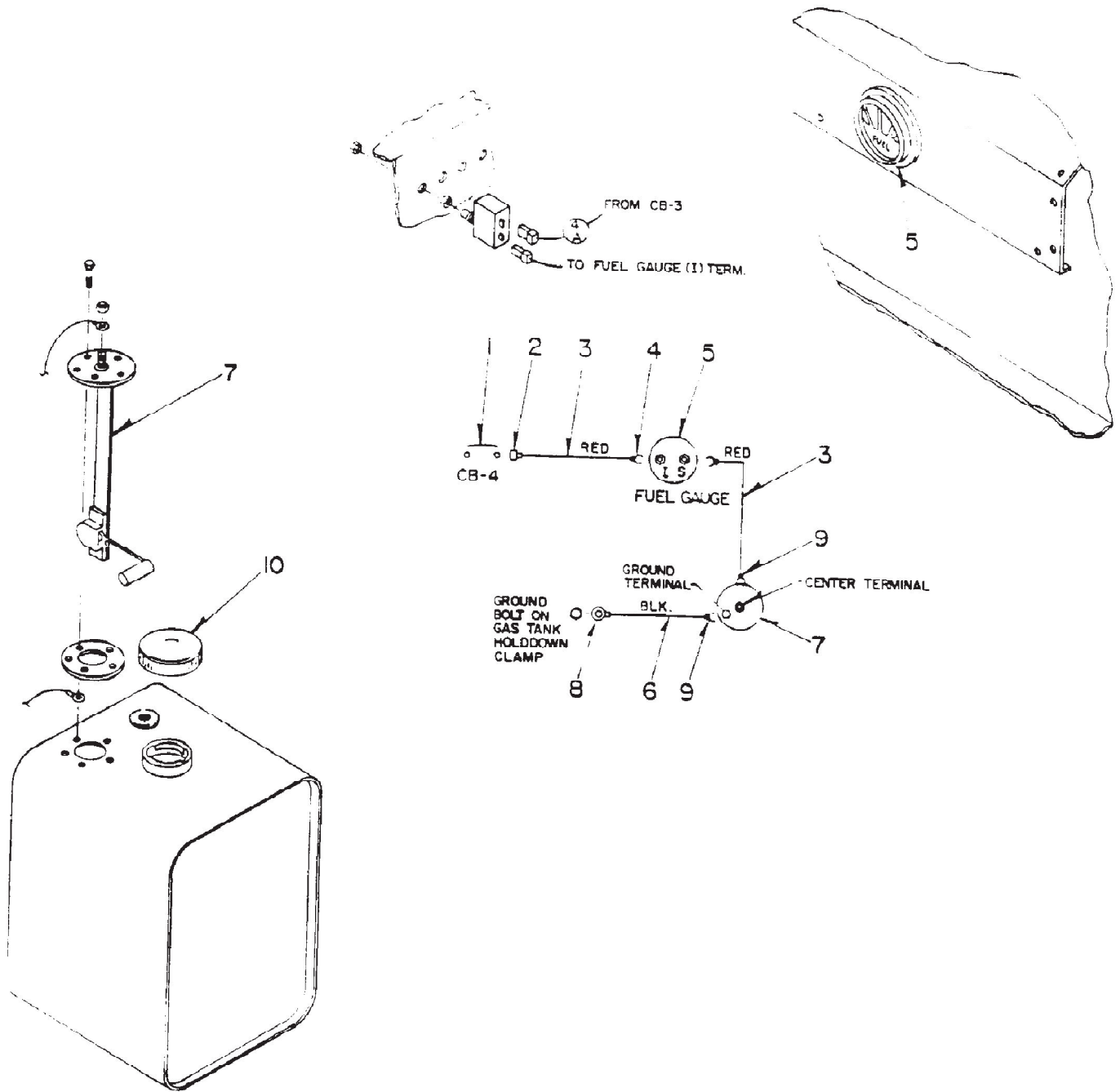
Referenznummer	Artikelnummer	Menge	Description
1	0877-046	1	Engine, BRIGGS & STRATTON 16HP
2	8-78-05021	1	Governor Stop
3	2-00-04850	1	Fuel Line Clamp, .490
4	2-00-04120	14	J - Clip
5	8-52-00142	1	Top Panel
6	2-00-03596	7	Screw, 1/4 - 20 x .375 T/C HH
7	2-00-00498	7	Lock Washer, 1/4 Ext.
8	2-00-00518	2	Lock Washer, Helical Spring 1/4 Med.
9	2-00-03904	14	Screw, #10 - 12 x .375 T/F RH
10	8-34-09014	1	Insulation
11	8-52-00147	1	Right Hand Corner Panel
12	2-00-00205	1	Screw, 1/4 - 20 x 1.000 HHC
13	2-00-00594	3	Nut, Hex 1/4 - 20 x .437 x .218
14	8-10-00027	1	Cable
15	2-00-00641	2	Nut, Hex Fiber Insert 1/4 - 20
16	2-00-00051	1	Screw, 1/4 - 20 x .750 RHM
17	8-52-00144	2	Side Panel
18	8-56-04038	1	Exhaust Pipe
19	2-00-04878	4	Screw, #8 - 32 x .375 T/F HH (TT)
20	2-00-02271	1	Key, .250 x 1.000 SQ
21	8-16-05022	1	Flexible Coupling
	8-75-05018	Ref	HYTREL Spider (service)
22	8-33-05100	1	Pump Housing
23	2-00-02310	8	Lock Washer, Helical Spring, .375 Med
24	2-00-00209	4	Screw, 3/8-16 x 1.250 HHC
25	8-16-07321	1	Cover
26	2-00-02220	1	Hose Clamp, .812 - 1.500
27	2-00-04469	1	Street Elbow 90° 3/4-14 M-F
28	8-60-05014	1	Pump
29	7-13-07075	2	U-Bolt
30	8-25-02025	1	37° JIC Restrictor, 9/16-18 to 1/2 NPT
31	8-83-04028	1	Accumulator
32	8-56-04039	1	Exhaust Pipe
33	8-34-09015	1	Insulating Sleeve
34	8-08-00686	1	Bracket
35	2-00-00585	4	Nut, Hex 5/16 - 18 x .500 x .265
36	2-00-00530	4	Lock Washer, Helical Spring 5/16 Med
37	2-00-03702	2	Flat Washer, .625 x .281 x .062
38	8-50-05053	1	Isolator
39	2-00-05002	2	Screw, 5/16 - 18 x 6.500 HHC
40	2-00-00218	1	Screw, 5/16 - 18 x 2.000 HHC
41	2-00-04216	2	37° JIC 90° Elbow M. 1/2-14 / 3/4-16
42	2-00-04482	1	Street Tee, 1/2-14 M-F
43	8-65-06021	1	Adaptor Ring
44	8-52-00143	1	Lower Panel
45	2-00-03585	1	Pipe Nipple, 3/4 NPT x 2.000 (Thread one end)
46	2-00-00207	4	Screw, 5/16-18 x 1.250 HHC
47	8-52-00146	1	Left Hand Corner Panel
48	8-16-00046	1	Throttle Cable
49	8-16-00047	1	Choke Cable
50	8-18-00326	1	Decal, Warning
	8-24-04130	1	Oil Filter Element Not shown
	8-24-04131	1	Air Cleaner Cartridge Not shown



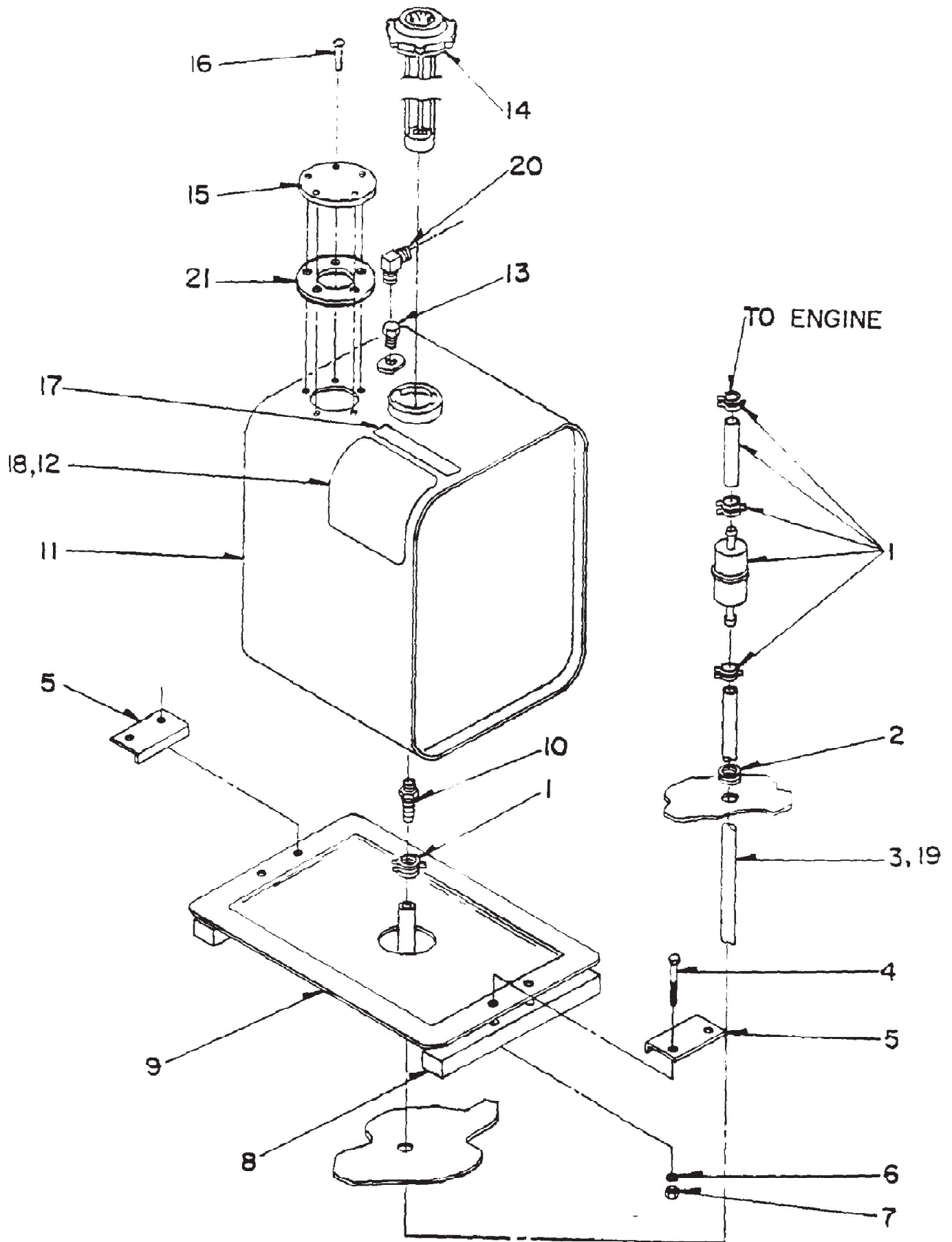
Referenznummer	Artikelnummer	Menge	Description
1	8-55-00030	1	Pedal, Forward / Reverse
2	8-08-00722	2	Bracket, Forward / Reverse Pedal
3	2-00-03569	4	Carriage Bolt, 5/16-18 x .750
4	2-00-00530	4	Lock Washer, Helical Spring 5/16 Med
5	2-00-00585	4	Nut, Hex, 5/16 - 18 x .500 x .265
6	8-25-02019	2	Rod End Assembly
7	8-66-00134	1	Rod
8	2-00-00611	4	Nut, Hex Jam 3/8 - 24 x .562 x .218
9	8-03-04215	1	Arm, Valve Control
10	2-00-02589	3	Screw, 1/4 - 20 x 2.000 HHC
11	8-88-00049	1	Valve, Forward / Reverse
12	2-00-02310	2	Lock Washer, Helical Spring 3/8 Med
13	2-00-04749	1	Radial Locking Spring Pin, .125 x 1.375
14	8-50-05022	1	Pad, Foot Pedal
15	2-00-04361	1	37ø JIC 45ø Male Elbow, 3/4-14 / 3/4-16
16	2-00-04215	1	37ø JIC 90ø Elbow M, 3/4-14 / 3/4-16
17	7-40-00005	1	Decal, "Forward"
18	7-40-00006	1	Decal, "Reverse"
19	2-00-00518	3	Lock Washer, Helical Spring 1/4 Med
20	2-00-00594	3	Nut, Hex 1/4 - 20 x .437 x .218
21	2-00-00402	2	Flat Washer, .750 x .390 x .093
22	2-00-02711	1	Screw, 3/8-16 x 2.750 HHM (DIESEL ONLY)
23	2-00-02310	1	Lock Washer, Helical Spring 3/8 Med (DIESEL ONLY)
24	2-00-02360	1	Nut, Hex 3/8-16 x .562 x .328 (DIESEL ONLY)



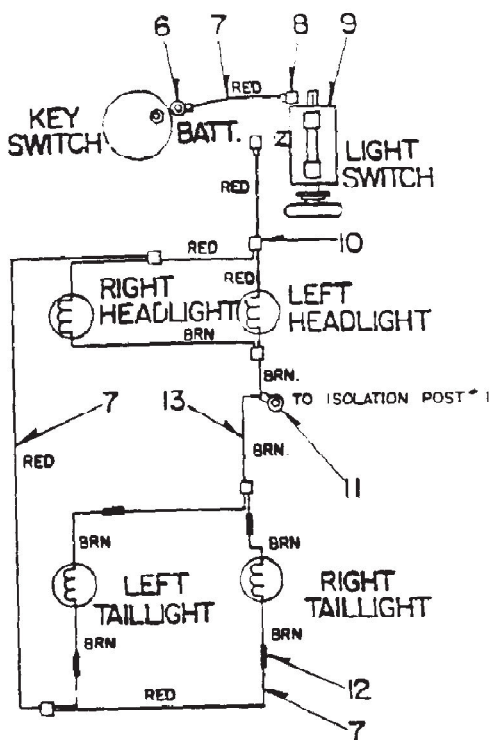
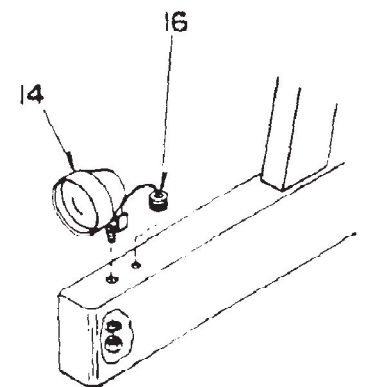
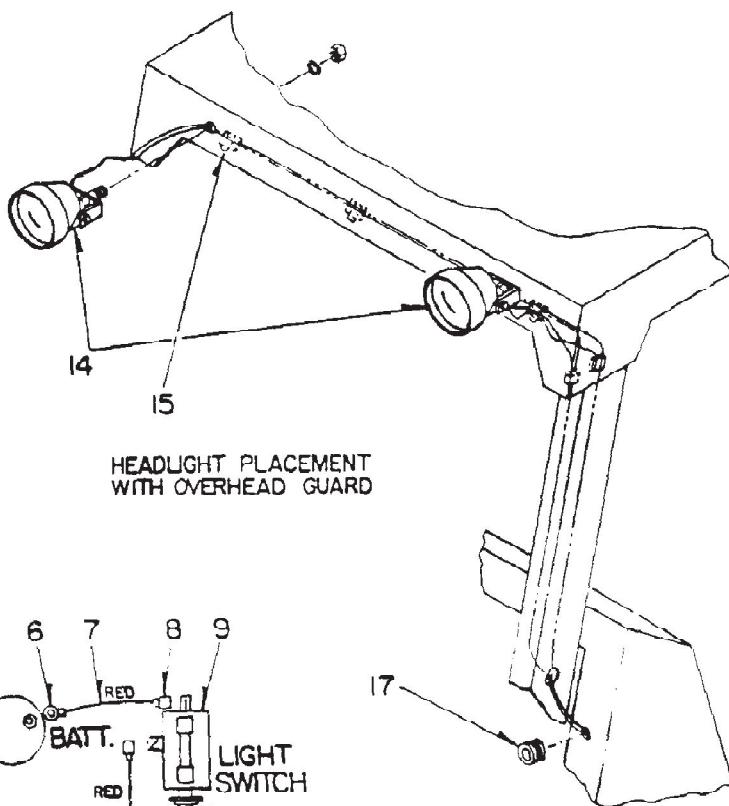
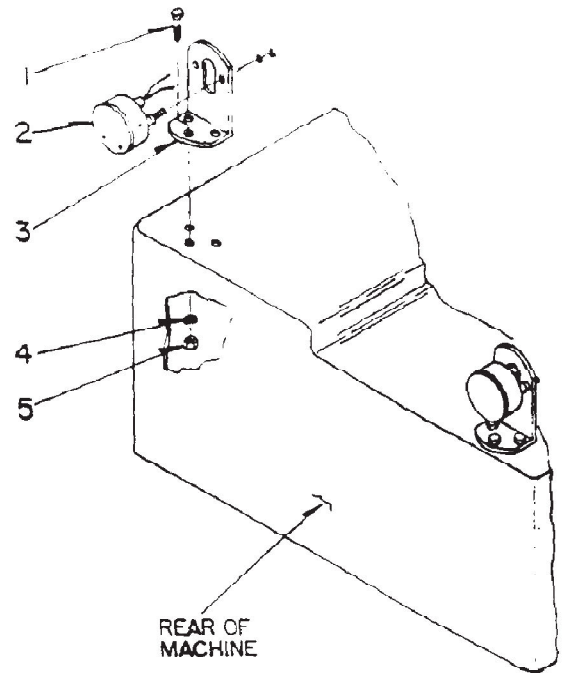
Referenznummer	Artikelnummer	Menge	Description
1	8-29-00195	1	Seal Gasket
2	2-00-00233	2	Screw, 3/8 - 16 x 1.000 HHC
3	8-16-07316	1	Engine Cover
4	8-41-00033	1	Latch
5	8-08-00661	3	Hopper Support Bracket
6	2-00-02310	6	Lock Washer, Helical Spring 3/8 Med
7	2-00-02360	2	Nut, Hex 3/8 - 16 x .562 x .328
8	2-00-00519	4	Lock Washer, Helical Spring #10 Med
9	2-00-00605	4	Nut, Hex MS #10 - 24 x .375 x .125
10	8-27-07103	1	Main Frame
11	2-00-00530	13	Lock Washer, Helical Spring 5/16 Med
12	2-00-00585	13	Nut, Hex 5/16 - 18 x .500 x .265
13	8-29-00196	1	Seal Gasket, Engine Cover Seat
14	8-21-04029	1	Edging, 6.50"
15	8-21-04028	1	Edging, 12.88"
16	2-00-00586	5	Nut, Hex Jam 5/16-18 x .500 x .187
17	2-00-01255	5	Screw, 5/16 - 18 x .875 HHC
18	8-32-00028	1	Engine Cover Hinge
19	2-00-00213	8	Screw, 5/16 - 18 x .625 HHC
20	2-00-00049	4	Screw, #10 - 24 x .500 RHM
21	2-00-03266	4	Fan Washer, 1.296 x .375 x .125
22	2-00-00209	4	Screw, 3/8 - 16 x 1.250 HHC
23	8-69-00003	1	Seat
24	2-00-04936	2	Nut, Hex Fiber insert 1/2-13
25	8-89-04016	10	Weight - 13.5 lbs.
26	2-00-04914	2	Screw, 1/2-13 x 4.500 HHC
27	8-89-04015	2	Weight - 12.0 lbs.



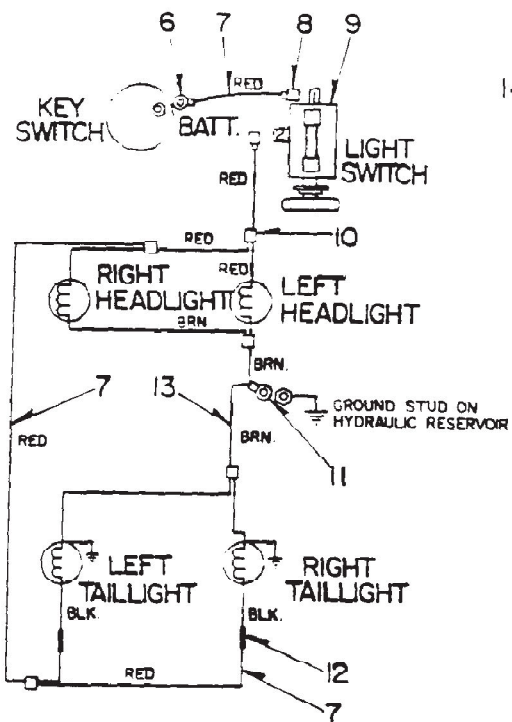
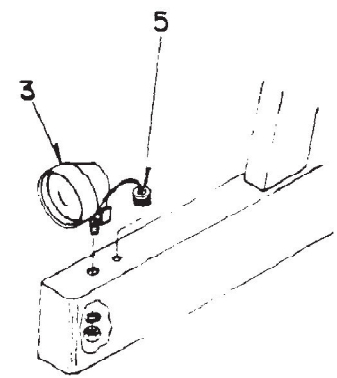
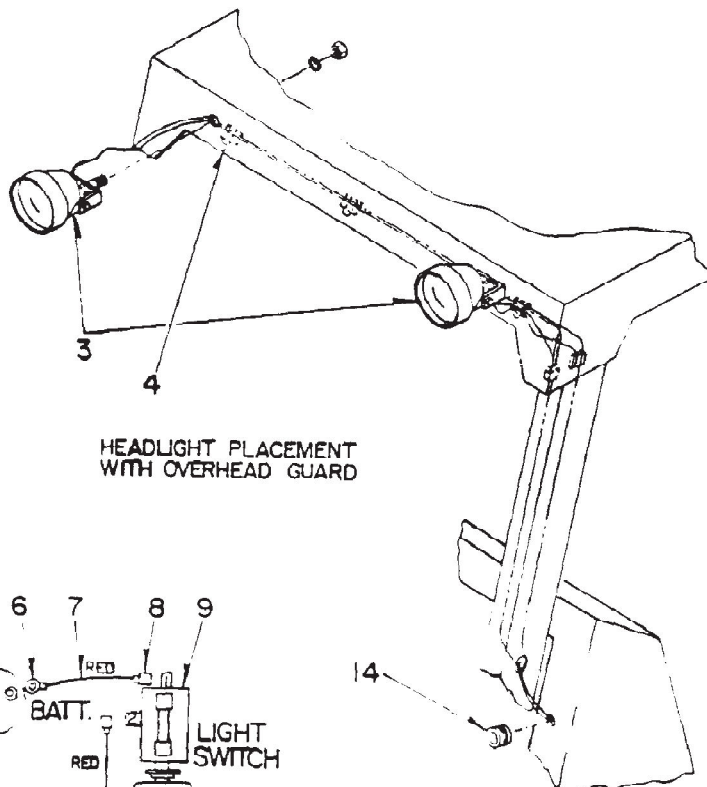
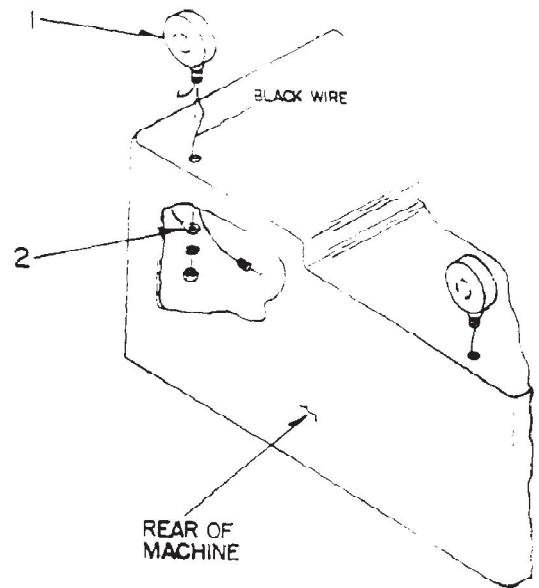
Referenznummer	Artikelnummer	Menge	Description
1	8-64-00008	1	Circuit Breaker, 15 Amp
2	2-00-03418	3	Terminal
3	3-61-00193	1	Wire, 16 AWG (Red) 10ft
4	2-00-04742	2	Terminal
5	8-48-05016	1	Fuel Gauge
6	3-61-00189	1	Wire, 16 AWG (Black) 5ft
7	8-26-04002	1	Sender
8	2-00-00828	1	Terminal
9	2-00-04719	1	Terminal
10	8-11-00028	1	Gas Cap
	7-13-07096	10	Adjustable Clamp Not shown



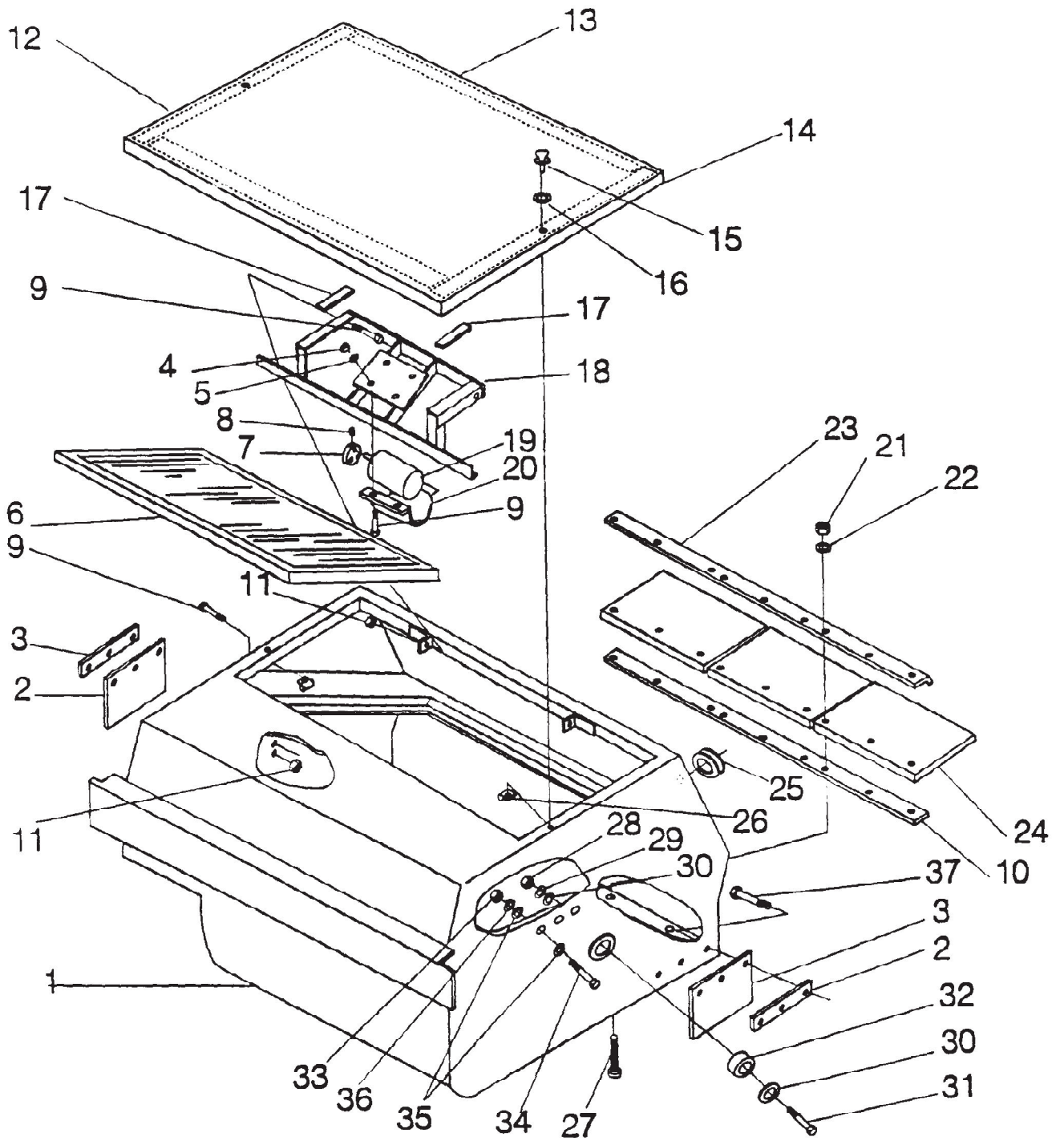
Referenznummer	Artikelnummer	Menge	Description
1	8-24-04068	1	Fuel Filter Kit (Gas Only)
2	2-00-04783	1	Grommet, 1.312 x .687 x .375 x .125 (Gas Only)
3	8-33-02135	1	Hose (Gas Only)
4	2-00-00203	4	Screw, 1/4 - 20 x 1.500 HHC
5	8-08-00496	2	Fuel Tank Bracket
6	2-00-00518	4	Lock Washer, Helical Spring 1/4 Med
7	2-00-00594	4	Nut, Hex 1/4 - 20 x .437 x .218
8	8-81-00133	2	Support
9	8-51-05010	1	Catch Basin
10	2-00-04518	1	Hose Fitting Barbed, Rigid Male Pipe 1/8 NPT
11	8-33-04026	1	Fuel Tank
12	8-18-00277	1	Decal, Warning (Gas Only)
13	2-00-02476	1	Pipe Plug, 1/8 NPT (Gas Only)
14	8-11-00028	1	Fuel Cap and Gauge
15	8-16-07311	1	Cover
16	2-00-03940	5	Screw, #10 - 24 x .500 T/C HH
17	8-18-00311	1	Decal, Diesel Fuel (Diesel Only)
18	8-18-00085	1	Decal, Caution (Diesel Only)
19	8-33-02247	1	Hose, Tank to Pump (Diesel Only)
20	2-95-01292	1	Compression Male 90° Elbow 1/8 (Diesel Only)
21	8-29-00131	1	Cover Gasket



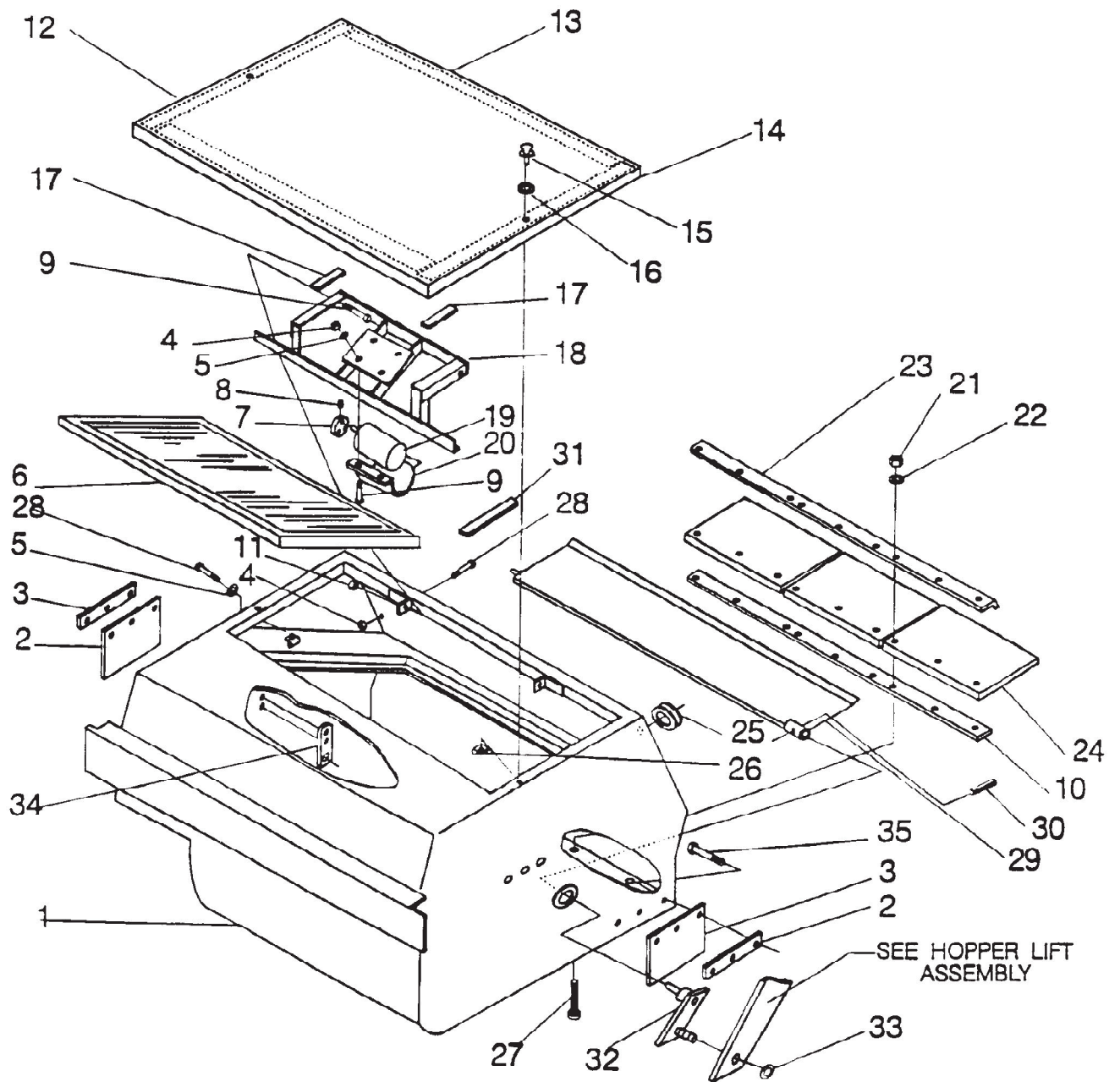
Referenznummer	Artikelnummer	Menge	Description
1	2-00-00221	6	Screw, 1/4 - 20 x .750 HHC
2	8-40-05012	2	Taillight, 36 Volt
3	8-08-00504	2	Taillight Bracket
4	2-00-00518	6	Lock Washer, Helical Spring 1/4 Med.
5	2-00-00594	6	Nut, Hex 1/4 - 20 x .437 x .218
6	2-00-04281	1	Terminal
7	3-61-00193	1	Wire, 16 AWG (Red) 10ft
8	2-00-03418	2	Terminal
9	8-82-00027	1	Light Switch
10	2-00-04479	5	Terminal
11	2-00-00828	2	Terminal
12	2-00-01128	4	Terminal
13	3-61-00192	1	Wire, 16 AWG (Brown) 10ft
14	8-40-05024	2	Headlight, 36 Volt
15	7-13-07096	15	Adjustable Clamp
16	2-00-00491	5	Grommet
17	2-00-04783	1	Grommet



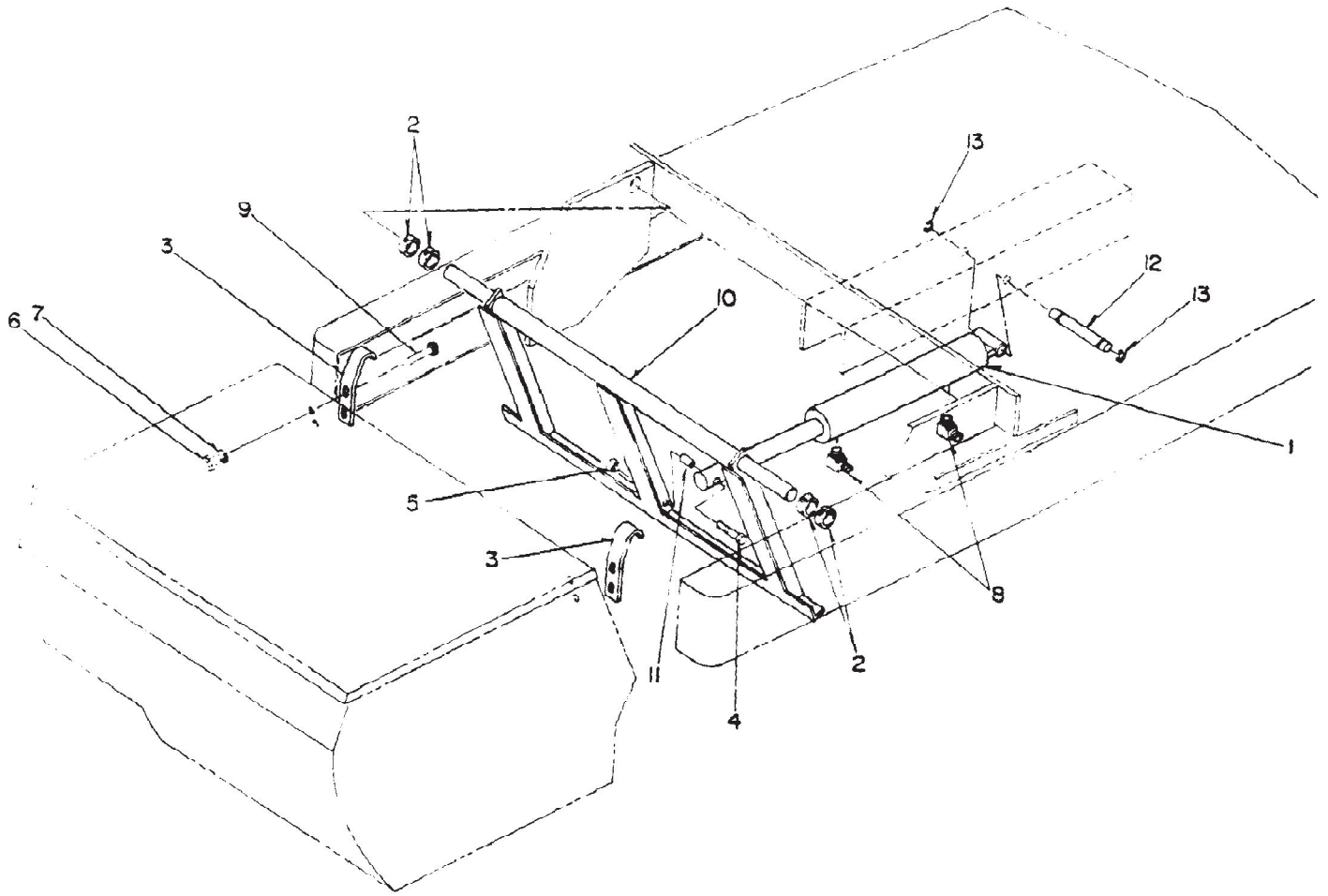
Referenznummer	Artikelnummer	Menge	Description
1	8-40-05017	2	Taillight, 12 Volt
2	2-00-05048	2	Terminal
3	8-40-05022	2	Headlight, 12 Volt
4	7-13-07096	15	Adjustable Clamp
5	2-00-00491	3	Grommet
6	2-00-04281	1	Terminal
7	3-61-00193	1	Wire, 16 AWG (Red) 10ft
8	2-00-03418	2	Terminal
9	8-82-00027	1	Light Switch
10	2-00-04479	5	Terminal
11	2-00-00828	2	Terminal
12	2-00-01128	2	Terminal
13	3-61-00192	1	Wire, 16 AWG (Brown) 10ft
14	2-00-04783	1	Grommet



Referenznummer	Artikelnummer	Menge	Description
1	8-32-06083	1	Hopper
2	8-25-08162	2	Hopper Side Flap
3	8-79-00085	2	Hopper Side Flap Strap
4	2-00-00585	4	Nut, Hex 5/16 - 18 x .500 x .265
5	2-00-00530	4	Lock Washer, Helical Spring 5/16 Med
6	8-24-04082	1	Filter
7	8-89-04006	1	Shaker Motor Counter Weight
8	2-95-01929	1	Setscrew, 1/4 - 20 x .250 HS-CP (Nylok)
9	2-00-00208	8	Screw, 5/16 - 18 x .750 HHC
10	8-79-00120	1	Front Flap Strap
11	2-00-00644	4	Nut, Hex Fiber Insert 5/16 - 18
12	8-68-05058	2	Side Hopper Lid Seal
13	8-68-05056	2	Rear Hopper Lid Seal
14	8-16-07310	1	Hopper Lid
15	7-23-03091	2	Thumb Screw
16	7-23-03087	2	Retainer
17	8-68-05059	2	Seal
18	8-27-07068	1	Shaker Frame
19	0882-027	1	Motor
20	8-16-07181	1	Shaker Motor Cover
21	2-00-00605	9	Nut, Hex MS #10 - 24 x .375 x .125
22	2-00-00519	9	Lock Washer, Helical Spring #10 Med
23	8-13-07090	1	Clamp
24	8-25-08160	3	Front Flap
25	2-00-01657	1	Rubber Grommet, .44 x .56
26	8-23-03058	2	U - Clip
27	2-00-03061	9	Screw, #10 - 24 x .500 THM
28	2-00-00594	1	Nut, Hex 1/4 - 20 x .437 x .218
29	2-00-00518	1	Lock Washer, Helical Spring 1/4 Med
30	2-00-00447	2	Flat Washer, 1.250 x .281 x .089
31	2-00-00205	1	Screw, 1/4 - 20 x 1.000 HHC
32	2-22-01938	1	Spacer
33	2-00-00593	6	Nut, Hex Hy. Jam 3/8 - 16 x .687 x .234
34	2-00-00231	6	Screw, 3/8 - 16 x .625 HHC
35	2-00-00410	12	Flat Washer, .875 x .375 x .032
36	2-00-02310	6	Lock Washer, Helical Spring 3/8 Med
37	2-00-03059	6	Screw, #10 - 24 x .375 THM

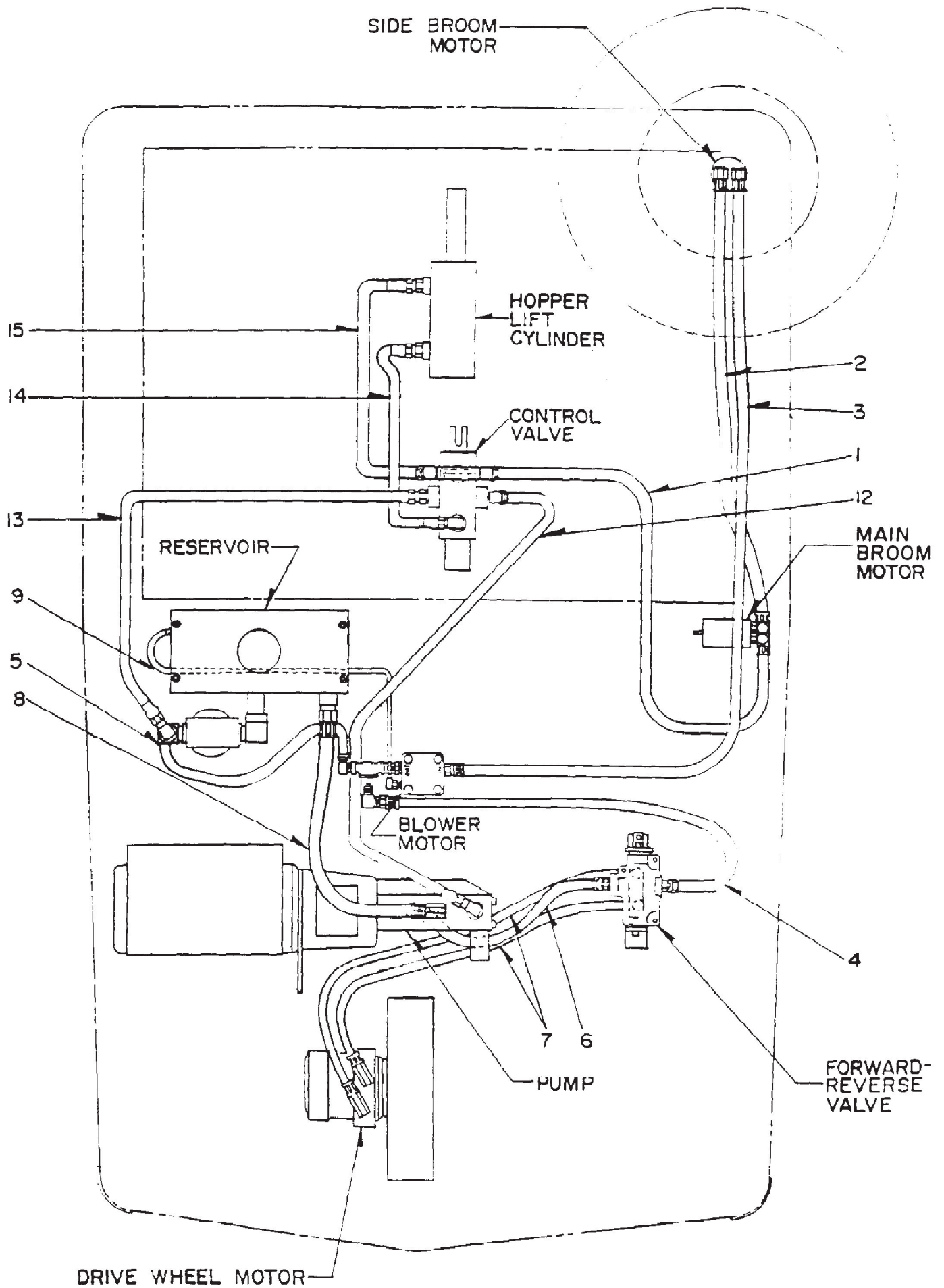


Referenznummer	Artikelnummer	Menge	Description
1	8-32-06083	1	Hopper
2	8-25-08162	2	Hopper Side Flap
3	8-79-00085	2	Hopper Side Flap Strap
4	2-00-00585	8	Nut, Hex 5/16 - 18 x .500 x .265
5	2-00-00530	6	Lock Washer, Helical Spring 5/16 Med
6	8-24-04082	1	Filter
7	8-89-04006	1	Shaker Motor Counter Weight
8	2-95-01929	1	Setscrew, 1/4 - 20 x .250 HS-CP (Nylok)
9	2-00-00208	6	Screw, 5/16 - 18 x .750 HHC
10	8-79-00120	1	Front Flap Strap
11	2-00-00644	2	Nut, Hex Fiber Insert 5/16 - 18
12	8-68-05058	2	Side Hopper Lid Seal
13	8-68-05056	2	Rear Hopper Lid Seal
14	8-16-07310	1	Hopper Lid
15	7-23-03091	2	Thumb Screw
16	7-23-03087	2	Retainer
17	8-68-05059	2	Seal
18	8-27-07068	1	Shaker Frame
19	0882-027	1	Motor
20	8-16-07181	1	Shaker Motor Cover
21	2-00-00605	9	Nut, Hex MS #10 - 24 x .375 x .125
22	2-00-00519	9	Lock Washer, Helical Spring #10 Med
23	8-13-07090	1	Clamp
24	8-25-08160	3	Front Flap
25	2-00-01657	1	Rubber Grommet, .44 x .56
26	8-23-03058	2	U - Clip
27	2-00-03061	9	Screw, #10 - 24 x .500 THM
28	2-00-00224	6	Screw, 5/16 - 18 x .500 HHC
29	8-19-08041	1	Door
30	2-00-03930	1	Radial Locking Spring Pin, .312 x 1.500
31	8-21-04044	2	Edging
32	8-03-04279	1	Arm
33	2-00-03572	1	Retainer
34	8-58-05244	1	Hopper Door Pivot Plate
35	2-00-03059	6	Screw, #10 - 24 x .375 THM

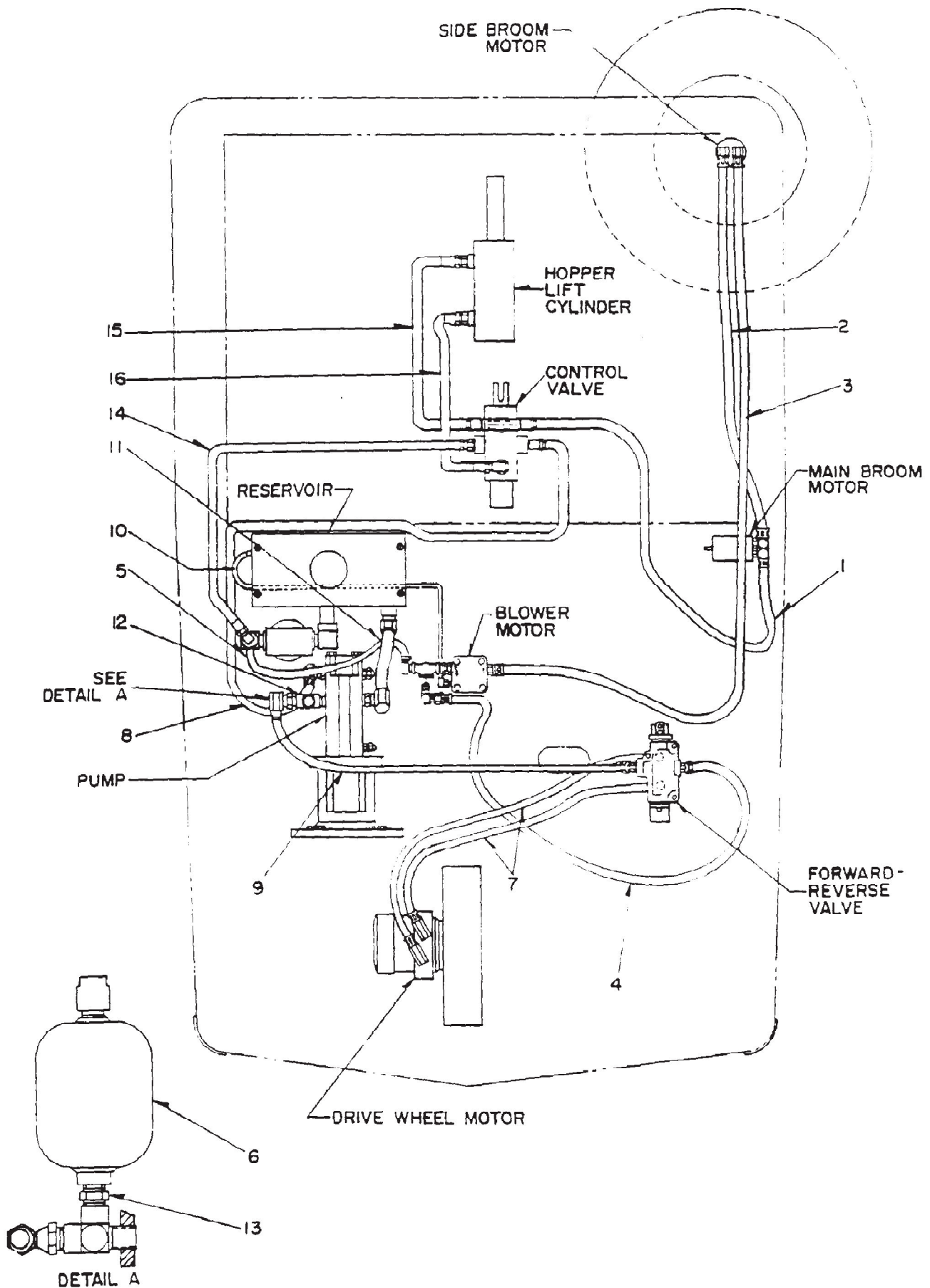


Referenznummer	Artikelnummer	Menge	Description
1	8-17-05020	1	Cylinder
2	2-00-04321	4	Collar w/setscrew, 1.625 x 1.000 x .500
3	8-31-07007	2	Bracket, Hanging
4	2-00-02693	1	Screw, 1/2 - 20 x 2.000 HHC
5	2-00-00640	1	Nut, Hex Fiber Insert 1/2 - 20
6	2-00-00585	4	Nut, Hex 5/16 - 18 x .500 x .265
7	2-00-00530	4	Lock Washer, Helical Spring 5/16 Med
8	2-00-04472	2	37ø JIC 90ø Elbow M, 3/8-18 / 9/16-18
9	2-00-00196	4	Carriage Bolt, 5/16 - 18 x 1.000
10	8-03-04211	1	Hopper Lift Frame
11	8-09-01086	1	Bushing
12	8-55-08110	1	Pin
13	2-00-03572	2	Retaining Ring, .625 Ext.

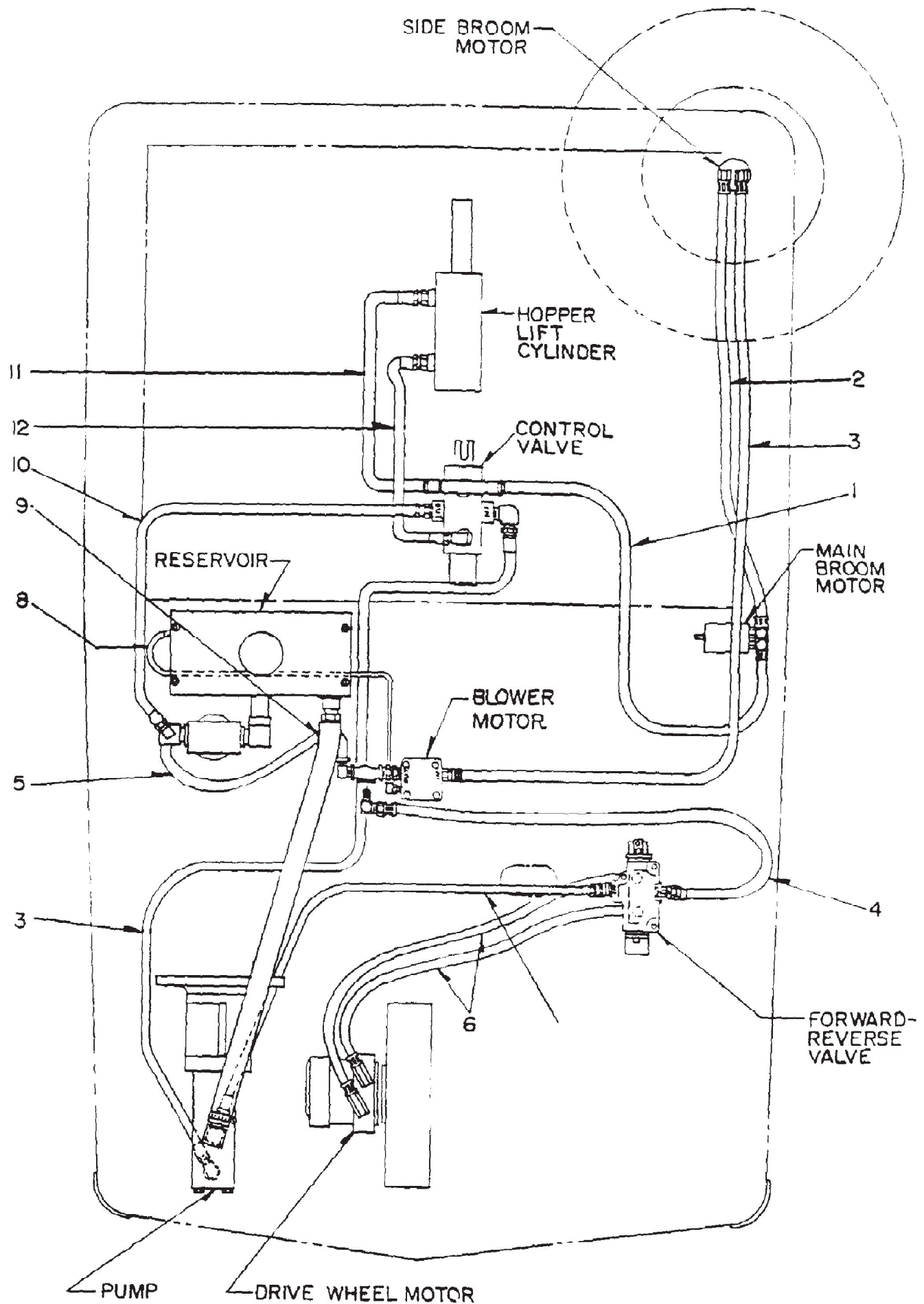
Referenznummer	Artikelnummer	Menge	Description
1	8-27-07099	1	Lift Frame
2	2-00-00221	1	Screw, 1/4 - 20 x .750 HHC
3	2-00-00518	1	Lock Washer, Helical Spring 1/4 Med
4	7-82-00009	1	Switch
5	8-08-00476	1	Switch Mounting Plate
6	2-00-00067	2	Screw, #6 - 32 x 1.000 RHM
7	2-00-00511	2	Lock Washer, Int. #6
8	2-00-00624	2	Nut, Hex MS #6 - 32 x .312 x .109
9	2-00-04936	2	Nut, Hex Fiber Insert 1/2 - 13
10	2-00-03266	4	Flat Washer, 1.296 x .375 x .125
11	2-00-01778	2	Screw, 1/2-13 x 2.000 HHC
12	2-00-04992	1	37ø JIC 90ø Elbow M, 1/4-18 / 9/16-18
13	8-88-00045	1	Pilot Check Valve
14	2-00-04589	1	Elbow, 90ø Street 3/8-18 M-F
15	2-00-04995	1	37ø JIC Adj. Tee, 7/16-20 / 9/16-18
16	2-00-03850	1	Screw, 3/4 - 10 x 1.500 HHC
17	2-00-05067	2	Flat Washer, 1.750 x .531 x .100
18	7-17-05010	1	Hydraulic Cylinder
19	2-00-04994	2	37ø JIC Female Pipe Adapter, 7/16-20 / 3/8-18
20	8-03-04255	1	Finger Switch
21	8-42-05131	1	Door Cylinder Link
22	2-00-00591	12	Nut, Hex Jam 1/2 - 20 x .750 x .312
23	8-09-01069	1	Spacer, .355 x .259 x .375
24	2-00-00235	10	Screw, 3/8 - 16 x 1.750 HHC
25	2-00-02473	1	Plug, Pipe 3/8 NPT
26	2-00-02366	10	Flat Washer, 1.296 x .375 x .125
27	2-00-02310	6	Lock Washer, Helical Spring 3/8 Med
28	2-00-02360	6	Nut, Hex 3/8 - 16 x .562 x .328
29	2-00-00776	4	Cotter Pin, .125 x 1.500
30	8-55-08112	2	Pin
31	8-17-05022	1	Lift Cylinder
32	2-00-04611	1	37ø JIC Male Connector, 1/4-18 / 3/4-16
33	8-18-00077	1	Decal, Safety Arm
34	8-25-02034	2	37ø JIC Restrictor, 9/16-18 / 3/8 NPT
35	2-00-02371	3	Nut, Hex Jam 1/2 - 13 x .750 x .312
36	2-00-00279	3	Setscrew, 1/2 - 13 x 1.500 SH-CP
37	8-81-00155	1	Lower Cylinder Support
38	2-00-00809	4	Screw, 5/16 - 18 x 1.000 HSHC
39	8-78-05020	3	Cylinder Support Stop
40	2-00-00530	10	Lock Washer, Helical Spring 5/16 Med
41	2-00-00585	4	Nut, Flex 5/16 - 18 x .500 x .265
42	2-00-01255	4	Screw, 5/16 - 18 x .875 HHC
43	8-03-04256	1	Safety Arm
44	2-00-04462	1	Street Tee, 3/8-18 M to F
45	2-00-03829	20	Lock Washer, 3/8 Ext/Int
46	2-00-00224	2	Screw, 5/16 - 18 x .500 HHC
47	2-95-02058	4	Spring Washer, 1.125 x .656 x .062
50			UNKNOWN



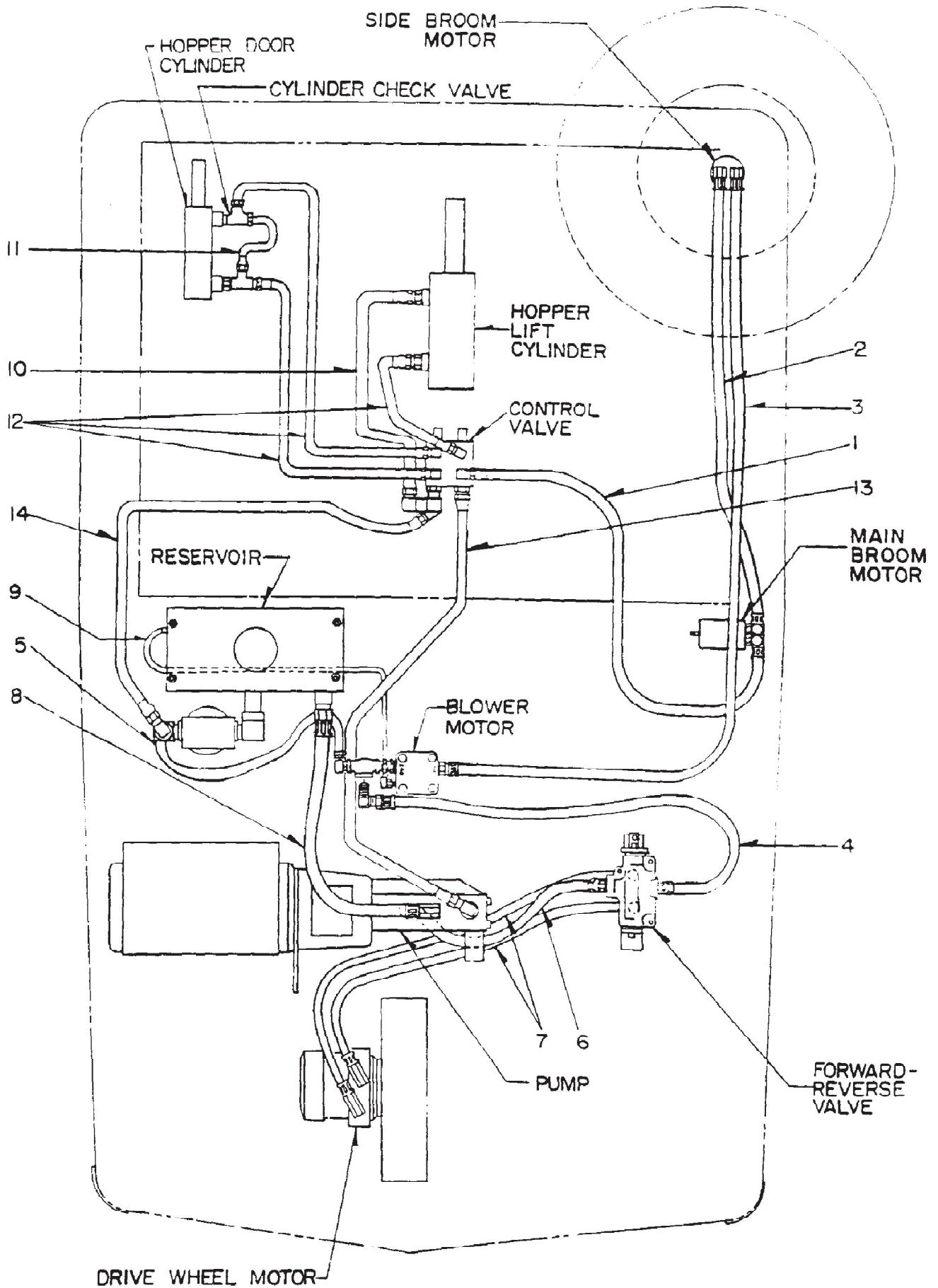
Referenznummer	Artikelnummer	Menge	Description
1	8-33-02254	1	Hose, 90ø M. Swiv. 9/16-18 - 37ø Flare F. Swiv. 3/4-16 53.50 L x .375 ID
2	8-33-02253	1	Hose, 90ø M. Swiv. 9/16-18 - 37ø Flare F. Swiv. 3/4-16 79.00 L x .375 ID
3	7-33-02101	1	Hose, 37ø Flare F. Swiv. 3/4-16 - 66.00 L x .50 ID
4	8-33-02060	1	Hose, 37ø Flare F. Swiv. 3/4-16 - 41.00 L x .50 ID
5	7-33-02152	1	Hose, 25.00 x .75 ID
6	8-33-02141	1	Hose, 90ø M. Swiv. 1/2-14 - 37ø Flare F. Swiv. 3/4-16 17.00 L x .500 ID
7	8-33-02127	2	Hose, 90ø M. O-ring Swiv. 3/4-16 - 90ø M. Swiv. 1/2-14 36.00 L x .500 ID
8	8-33-02249	1	Hose, 14.50 L x 1.00 ID
9	8-87-02053	1	Tubing, 35.50 x .190 ID
10	8-33-02137	1	Hose, 46.00 x .75 ID
11	8-33-02128	1	Hose, 90ø M. O-ring Swiv. 9/16-18 - 90ø M. Swiv. 1/2-14 34.00 L x .375 ID
12	8-33-02064	1	Hose, 37ø Flare F. Swiv. 3/4-16 - 33.00 L x .50 ID
13	7-33-02108	1	Hose, 37ø Flare F. Swiv. 3/4-16 - 17.50 L x .50 ID
14	8-33-02054	1	Hose, 37ø Flare F. Swiv. 9/16-18 - 60.00 L x .25 ID
15	8-33-02117	1	Hose, 37ø Flare F. Swiv. 9/16-18 - 44.00 L x .25 ID



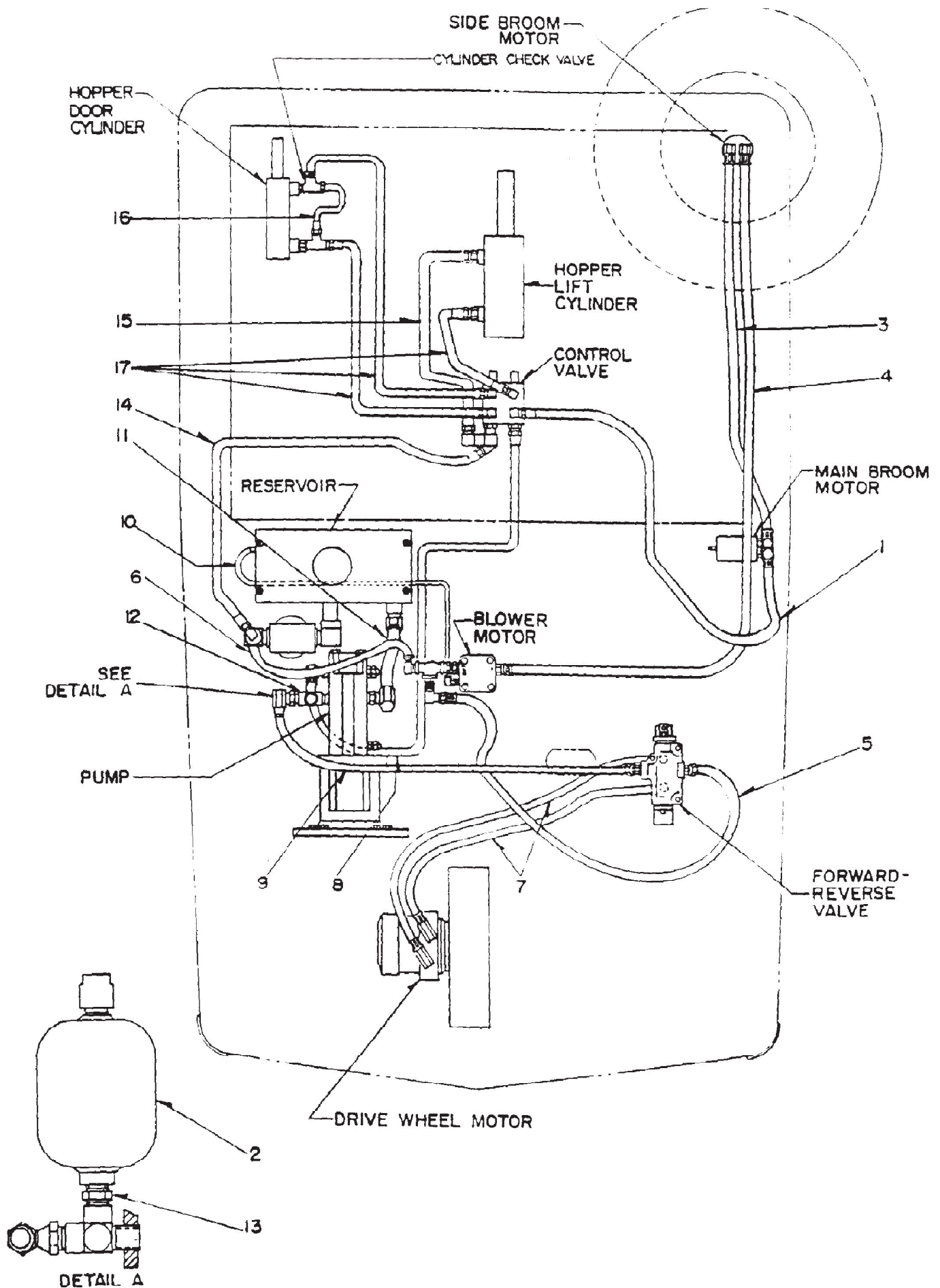
Referenznummer	Artikelnummer	Menge	Description
1	8-33-02254	1	Hose, 90ø M. Swiv. 9/16-18 - 37ø Flare F. Swiv. 3/4-16 53.50 L x .375 ID
2	8-33-02253	1	Hose, 90ø M. Swiv. 9/16-18 - 37ø Flare F. Swiv. 3/4-16 79.00 L x .375 ID
3	7-33-02101	1	Hose, 37ø Flare F. Swiv. 3/4-16 - 66.00 L x .50 ID
4	8-33-02060	1	Hose, 37ø Flare F. Swiv. 3/4-16 - 41.00 L x .50 ID
5	7-33-02152	1	Hose, 25.00 x .75 ID
6	8-83-04028	1	Accumulator
7	8-33-02127	2	Hose, 90ø M. O-ring Swiv. 3/4-16 - 90ø M. Swiv. 1/2-14 36.00 L x .500 ID
8	8-33-02060	1	Hose, 37ø Flare F. Swiv. 3/4-16 - 41.00 L x .50 ID
9	8-33-02132	1	Hose, 90ø M. Swiv. 1/2-14 - 37ø Flare F. Swiv. 3/4-16 35.00 L x .500 ID
10	8-87-02053	1	Tubing, 35.50 x .190 ID
11	8-33-02259	1	Hose, 9.00 L x 1.00 ID
12	2-00-04482	1	Street Tee, 1/2-14 M-F
13	8-25-02025	1	37ø JIC Restrictor, 9/16-18 TO 1/2 NPT
14	7-33-02108	1	Hose, 37ø Flare F. Swiv. 3/4-16 - 17.50 L x .50 ID
15	8-33-02117	1	Hose, 37ø Flare F. Swiv. 9/16-18 - 44.00 L x .25 ID
16	8-33-02054	1	Hose, 37ø Flare F. Swiv. 9/16-18 - 60.00 L x .25 ID



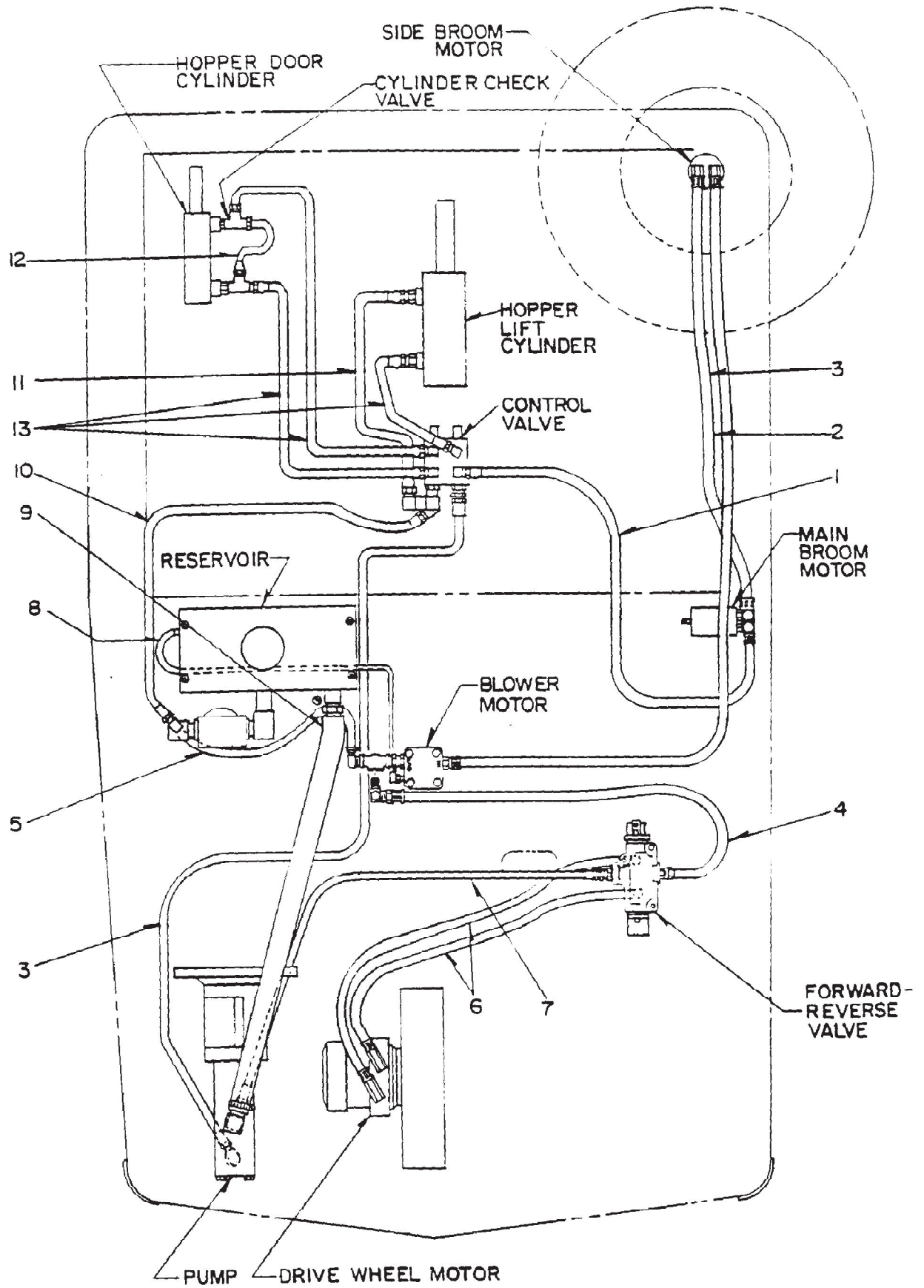
Referenznummer	Artikelnummer	Menge	Description
1	8-33-02254	1	Hose, 90ø M.Swiv. 9/16-18 - 37ø Flare F.Swiv. 3/4-16 53.50 L x .375 ID
2	8-33-02253	1	Hose, 90ø M.Swiv. 9/16-18 - 37ø Flare F.Swiv. 3/4-16 79.00 L x .375 ID
3	7-33-02101	2	Hose, 37ø Flare F. Swiv. 3/4-16 - 66.00 L x .50 ID
4	8-33-02060	1	Hose, 37ø Flare F. Swiv. 3/4-16 - 41.00 L x .50 ID
5	7-33-02152	1	Hose, 25.00 x .75 ID
6	8-33-02127	2	Hose, 90ø M.O-ring Swiv. 3/4-16 - 90ø M-Swiv. 1/2-14 36.00 L x .500 ID
7	8-33-02064	1	Hose, 37ø Flare F.Swiv. 3/4-16 - 33.00 L x .50 ID
8	8-87-02053	1	Tubing, 35.50 x .190 ID
9	8-33-02251	1	Hose, 33.00 L x 1.00 ID
10	7-33-02108	1	Hose, 37ø Flare F.Swiv. 3/4-16 - 17.50 L x .50 ID
11	8-33-02117	1	Hose, 37ø Flare F.Swiv. 9/16-18 - 44.00 L x .25 ID
12	8-33-02054	1	Hose, 37ø Flare F-Swiv. 9/16-18 - 60.00 L x .25 ID



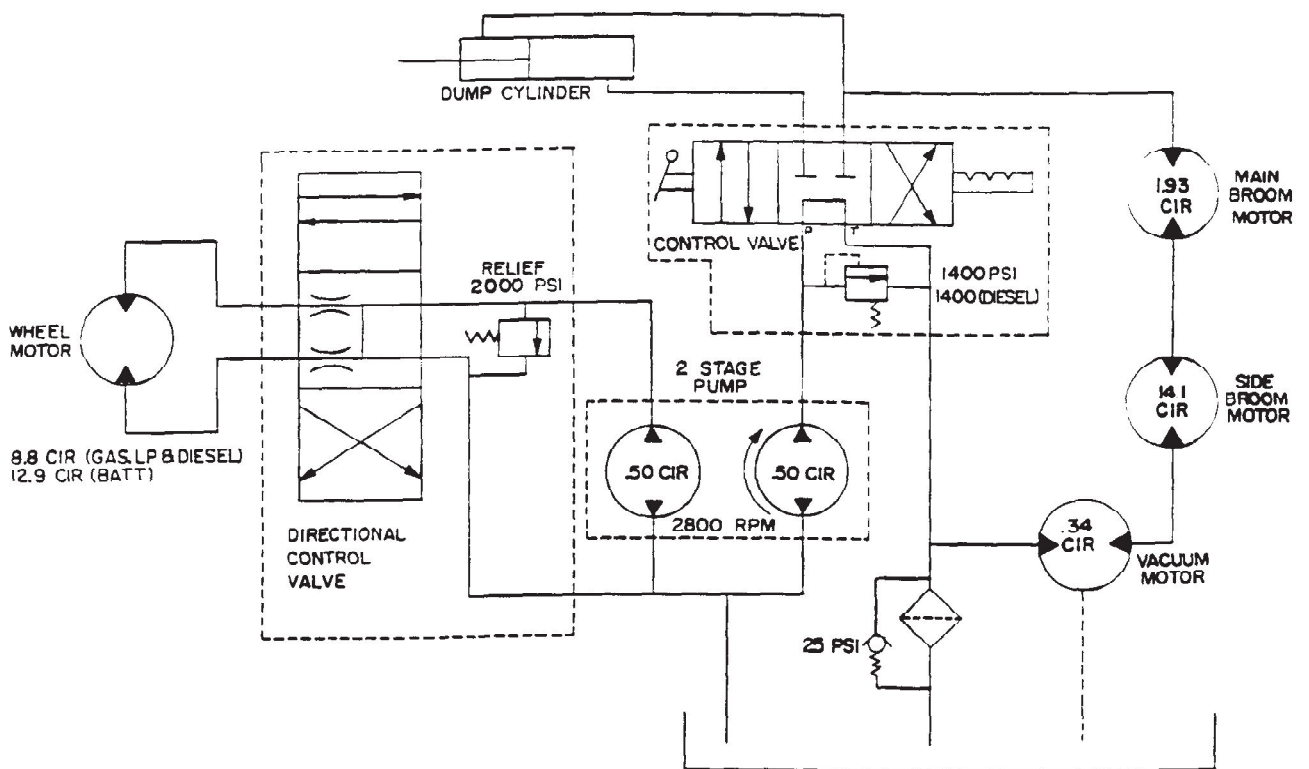
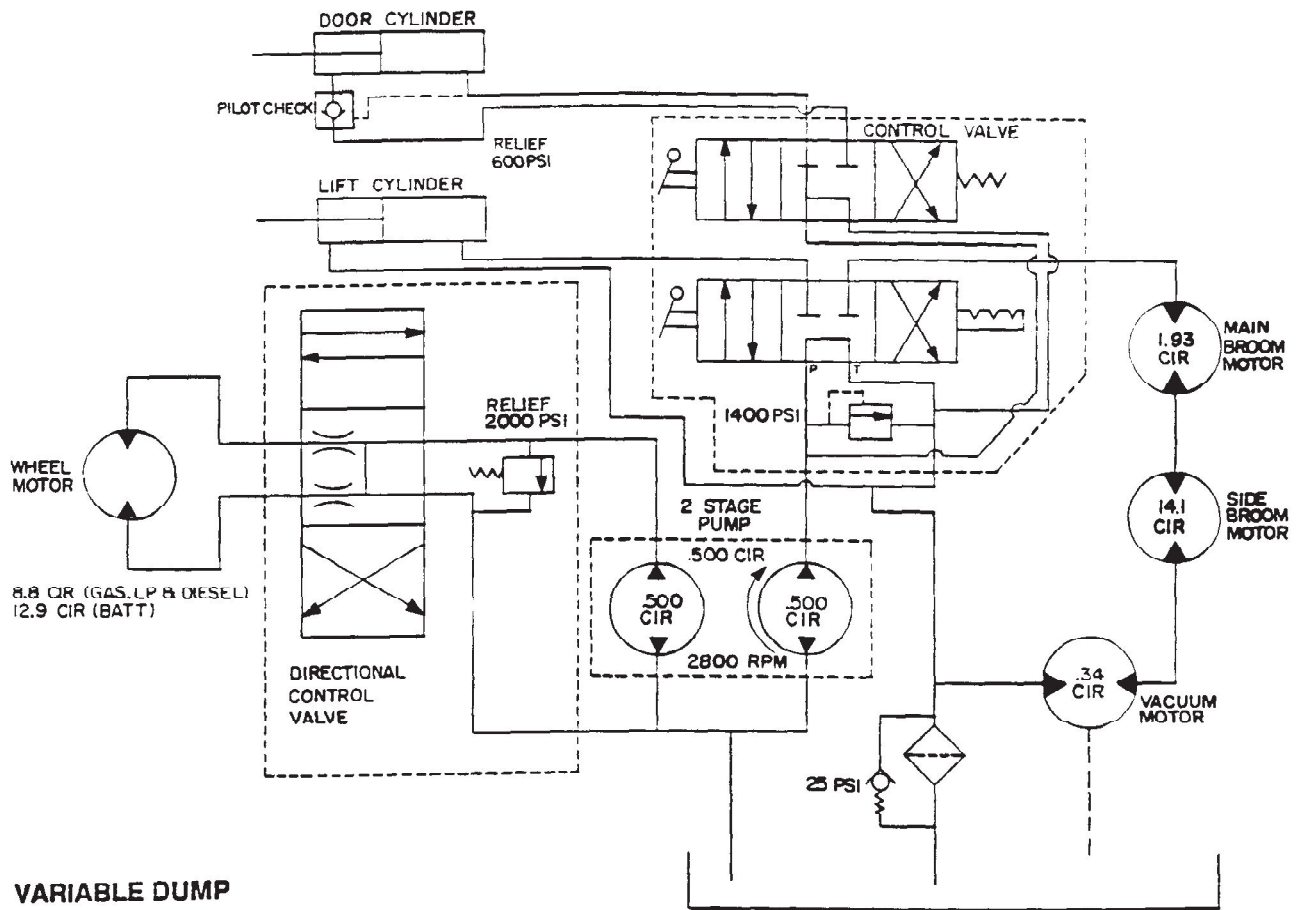
Referenznummer	Artikelnummer	Menge	Description
1	8-33-02254	1	Hose, 90ø M. Swiv. 9/16-18 - 37ø Flare F. Swiv. 3/4-16 53.50 L x .375 ID
2	8-33-02253	1	Hose, 90ø M. Swiv. 9/16-18 - 37ø Flare F. Swiv. 3/4-16 79.00 L x .375 ID
3	7-33-02101	1	Hose, 37ø Flare F. Swiv. 3/4-16 - 66.00 L x .50 ID
4	8-33-02060	1	Hose, 37ø Flare F. Swiv. 3/4-16 - 41.00 L x .50 ID
5	7-33-02152	1	Hose, 25.00 x .75 ID
6	8-33-02141	1	Hose, 90ø M. Swiv. 1/2-14 - 37ø Flare F. Swiv. 3/4-16 17.00 L x .500 ID
7	8-33-02127	2	Hose, 90ø M. O-ring Swiv. 3/4-16 - 90ø M. Swiv. 1/2-14 36.00 L x .500 ID
8	8-33-02249	1	Hose, 14.50 L x 1.00 ID
9	8-87-02053	1	Tubing, 35.50 x .190 ID
10	8-33-02046	1	Hose, 37ø Flare F. Swiv. 9/16-18 - 30.00 L x .25 ID
11	8-33-02070	1	Hose, 37ø Flare F. Swiv. 9/16-18 - 20.00 L x .25 ID
12	8-33-02117	3	Hose, 37ø Flare F. Swiv. 9/16-18 - 44.00 L x .25 ID
13	8-33-02064	1	Hose, 37ø Flare F. Swiv. 3/4-16 - 33.00 L x .50 ID
14	7-33-02108	1	Hose, 37ø Flare F. Swiv. 3/4-16 - 17.50 L x .50 ID

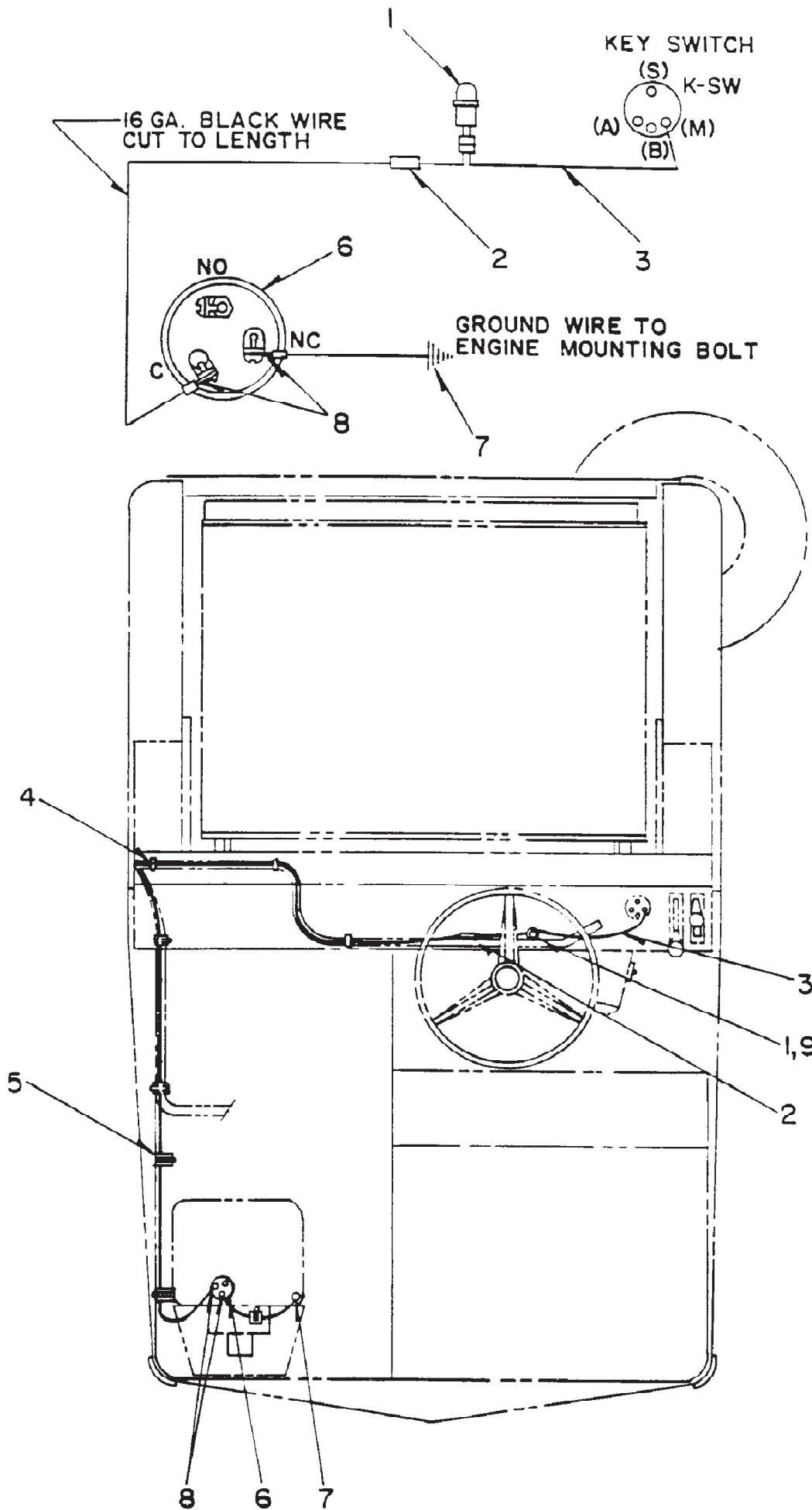


Referenznummer	Artikelnummer	Menge	Description
1	8-33-02254	1	Hose, 90ø M.Swiv. 9/16-18 - 37ø Flare F.Swiv. 3/4-16 53.50 L x .375 ID
2	8-83-04028	1	Accumulator
3	8-33-02253	1	Hose, 90ø M.Swiv. 9/16-18 - 37ø Flare F.Swiv. 3/4-16 79.00 L x .375 ID
4	7-33-02101	1	Hose, 37ø Flare F.Swiv. 3/4-16 - 66.00 L x .50 ID
5	8-33-02060	1	Hose, 37ø Flare F. Swiv. 3/4-16 - 41.00 L x .50 ID
6	7-33-02152	1	Hose, 25.00 x .75 ID
7	8-33-02127	2	Hose, 90ø M.O-ring Swiv. 3/4-16 - 90ø M.Swiv. 1/2-14 36.00 L x .500 ID
8	8-33-02064	1	Hose, 37ø Flare F-Swiv. 3/4-16 - 33.00 L x .50 ID
9	8-33-02132	1	Hose, 90ø M.Swiv. 1/2-14 - 37ø Flare F.Swiv. 3/4-16 35.00 L x .500 ID
10	8-87-02053	1	Tubing, 35.50 x .190 ID
11	8-33-02259	1	Hose, 9.00 L x 1.00 ID
12	2-00-04482	1	Street Tee, 1/2-14 M-F
13	8-25-02025	1	37ø JIC Restrictor, 9/16-18 TO 1/2 NPT
14	7-33-02108	1	Hose, 37ø Flare F.Swiv. 3/4-16 - 17.50 L x .50 ID
15	8-33-02046	1	Hose, 37ø Flare F.Swiv. 9/16-18 - 30.00 L x .25 ID
16	8-33-02070	1	Hose, 37ø Flare F.Swiv. 9/16-18 - 20.00 L x .25 ID
17	8-33-02117	3	Hose, 37ø Flare F.Swiv. 9/16-18 - 44.00 L x .25 ID

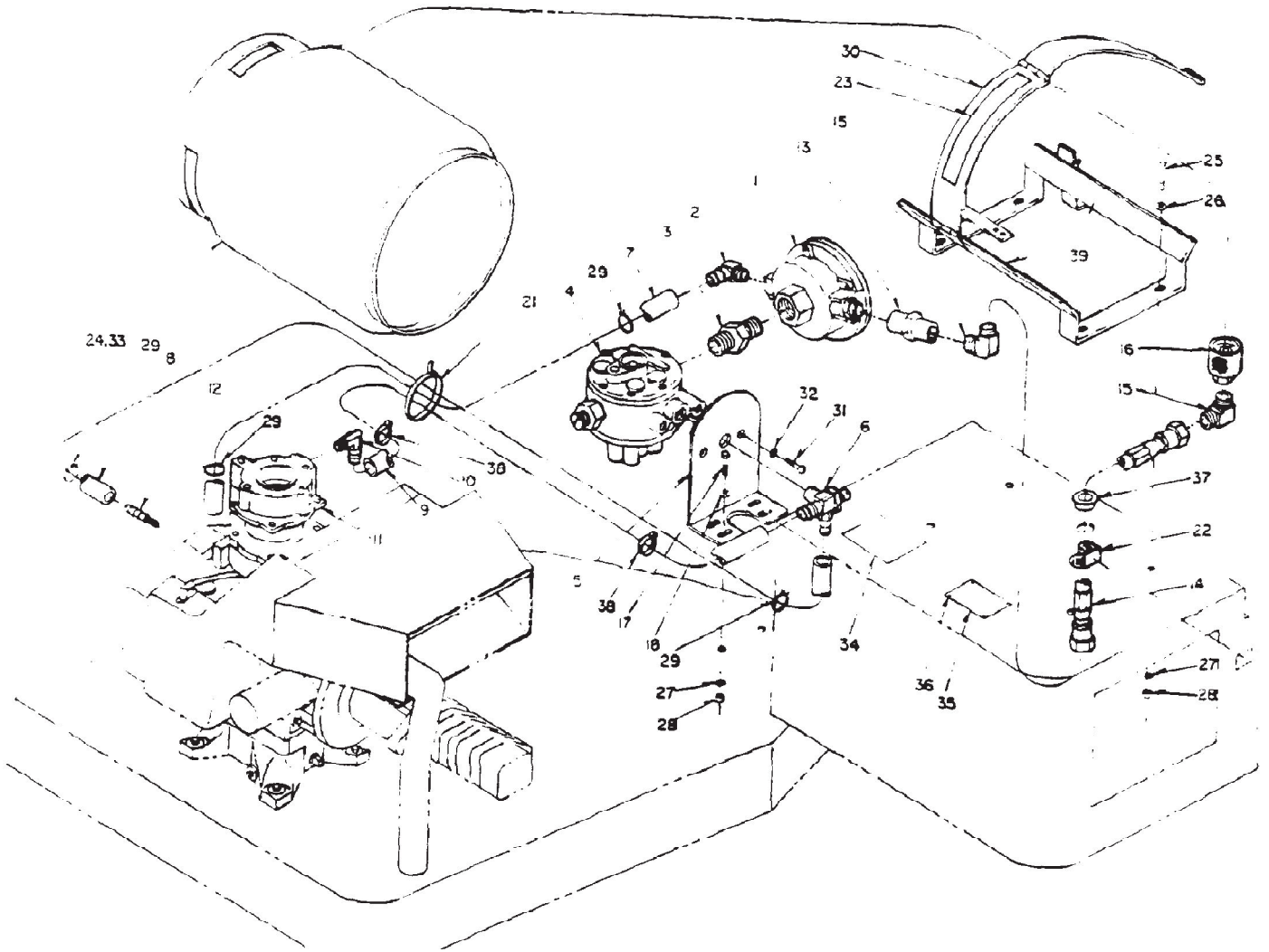


Referenznummer	Artikelnummer	Menge	Description
1	8-33-02254	1	Hose, 90ø M. Swiv. 9/16-18 - 37ø Flare F. Swiv. 3/4-16 53.50 L x .375 ID
2	8-33-02253	1	Hose, 90ø M. Swiv. 9/16-18 - 37ø Flare F. Swiv. 3/4-16 79.00 L x .375 ID
3	7-33-02101	2	Hose, 37ø Flare F. Swiv. 3/4-16 - 66.00 L x .50 ID
4	8-33-02060	1	Hose, 37ø Flare F. Swiv. 3/4-16 - 41.00 L x .50 ID
5	7-33-02152	1	Hose, 25.00 x .75 ID
6	8-33-02127	2	Hose, 90ø M. O-ring Swiv. 3/4-16 - 90ø M. Swiv. 1/2-14 36.00 L x .500 ID
7	8-33-02064	1	Hose, 37ø Flare F. Swiv. 3/4-16 - 33.00 L x .50 ID
8	8-87-02053	1	Tubing, 35.50 x .190 ID
9	8-33-02251	1	Hose, 33.00 L x 1.00 ID
10	7-33-02108	1	Hose, 37ø Flare F. Swiv. 3/4-16 - 17.50 L x .50 ID
11	8-33-02046	1	Hose, 37ø Flare F. Swiv. 9/16-18 - 30.00 L x .25 ID
12	8-33-02070	1	Hose, 37ø Flare F. Swiv. 9/16-18 - 20.00 L x .25 ID
13	8-33-02117	3	Hose, 37ø Flare F. Swiv. 9/16-18 - 44.00 L x .25 ID

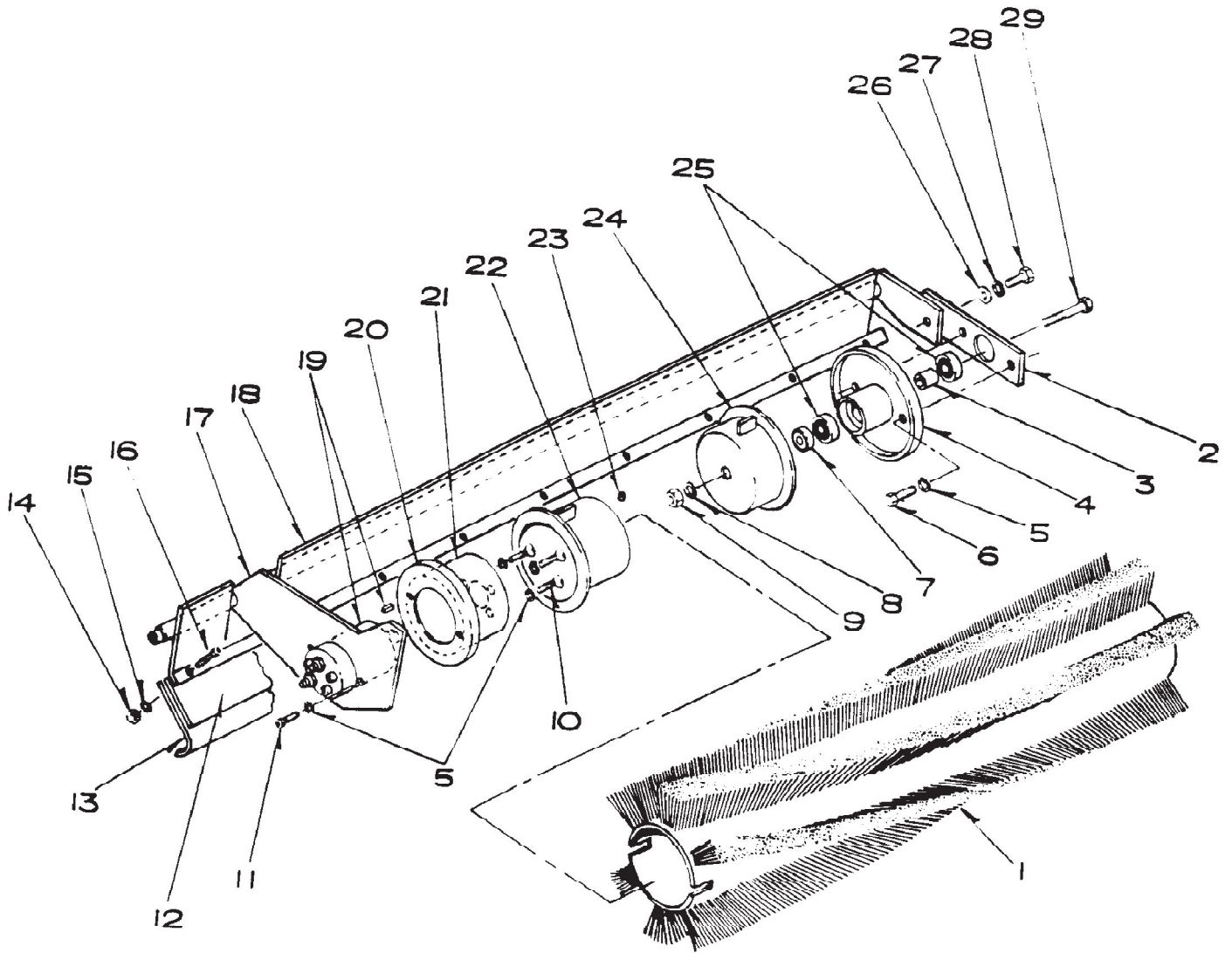




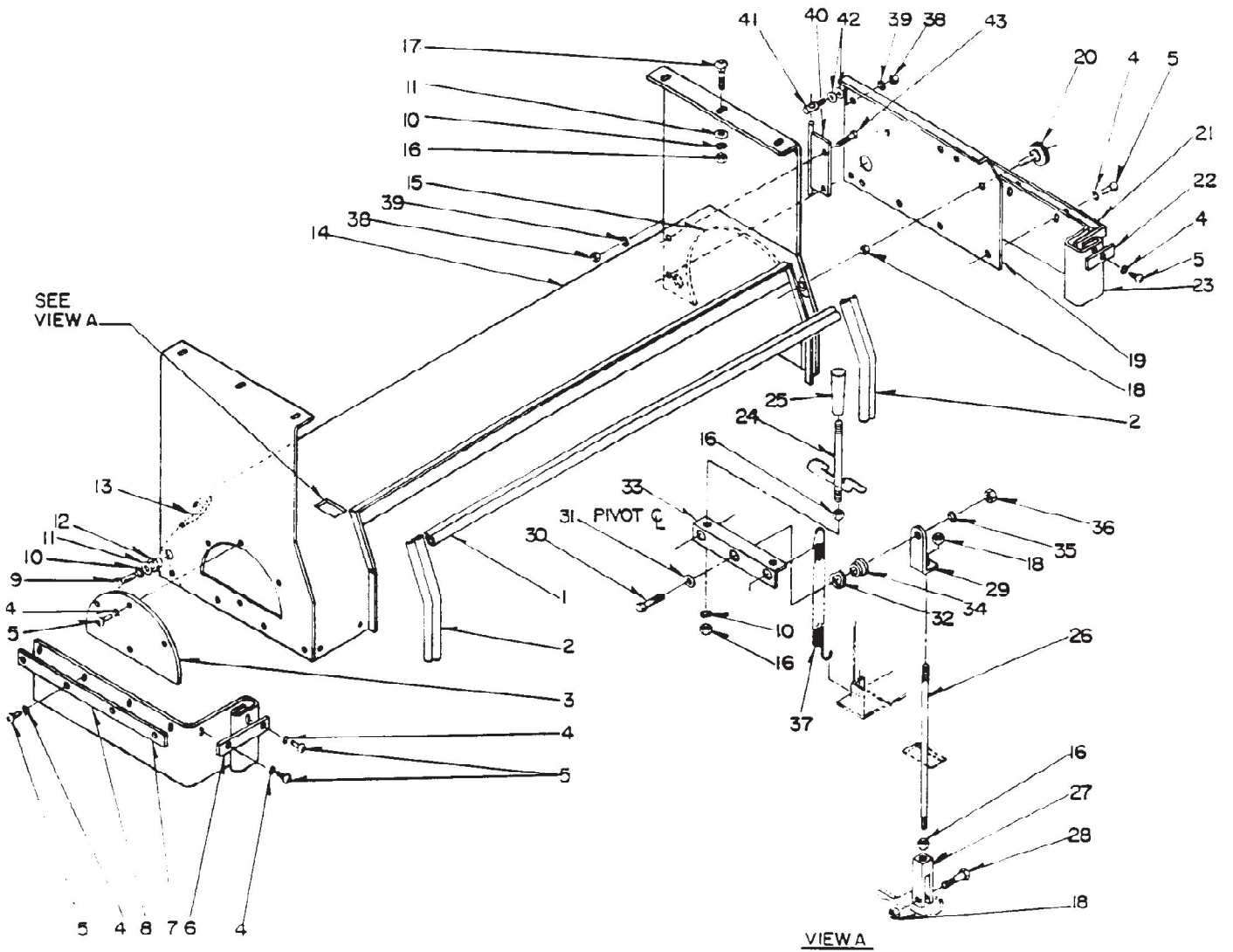
Referenznummer	Artikelnummer	Menge	Description
1	8-40-05032	1	Low Oil Warning Light
2	2-00-01128	1	Butt Connector
3	0895-103	1	Low Oil Warning Harness
4	2-00-04345	5	Ty-rap
5	7-13-07096	3	Adjustable Clamp
6	8-82-00046	1	Pressure Switch
7	2-00-04282	1	Terminal
8	2-00-04808	2	Terminal
9	2-00-05036	1	Bushing



Referenznummer	Artikelnummer	Menge	Description
1	2-00-05108	Ref	Vacuum Lock-Off
2		Ref	Fitting, 90° 1/8 NPT to 1/4 Hose
3		Ref	Fitting (Part of Model S2)
4	2-00-05109	Ref	Regulator (Model S2)
5	2-00-04767	Ref	Mounting Bracket
6	2-00-05110	Ref	Load Block
7		Ref	Vacuum Hose, 1/4 ID x 34" Long
8		Ref	Idle Hose, 1/4 ID x 34" Long
9		Ref	Power Hose, 1/2 ID x 40" Long
10		Ref	Fitting, 90° 1/4 NPT to 1/2 ID Hose
11	2-00-05111	Ref	Carburetor Adapter
12		Ref	Idle Fitting
13		Ref	Coupling, 1/4 NPT
14		Ref	Hose, Tank to Vacuum Lock-Off
15	2-00-03794	Ref	Fitting, Elbow 90° Street 1/4 NPT
16	2-00-03473	Ref	Connector, REGO 7141-M
17	2-00-00221	2	Screw, 1/4 - 20 x .750 HHC
18	2-00-03702	2	Flat Washer, .625 x .281 x .062
19	2-00-00518	2	Lock Washer, Helical Spring 1/4 Med
20	2-00-00589	2	Nut, Hex Hvy. Jam 1/2 - 13 x .875 x .296
21	2-00-04345	3	Plastic Tye
22	7-13-07096	1	Plastic Stick Down Tye
23	8-18-00169	1	Decal, LP Attention
24	7-83-04045	1	LP Tank, 20 lbs.
25	2-00-00233	4	Screw, 3/8 - 16 x 1.000 HHC
26	2-00-00402	4	Flat Washer, .750 x .390 x .093
27	2-00-02310	4	Lock Washer, Helical Spring 3/8 Med
28	2-00-02360	4	Nut, Hex 3/8 - 16 x .562 x .328
29	2-00-04850	4	Hose Clamp, .490
30	7-08-00059	1	Tank Mounting Bracket
31	2-00-02848	2	Screw, #10 - 32 x .500 RHM
32	2-00-00519	2	Lock Washer, Helical Spring #10 Med
33	2-00-03472	Ref	Fitting (Comes with 7-83-04045 Tank, Item no. 24)
34	8-18-00167	1	Decal, LP Caution
35	8-58-05203	1	Tank Description Plate
36	2-00-04115	4	Blind Rivet
37	2-00-04754	1	Plastic Snap-in Grommet
38	2-00-03407	2	Clamp
39	7-50-05143	2	Pad
	8-11-04018	1	LP Kit (GARRETSON Spec. No.'s)

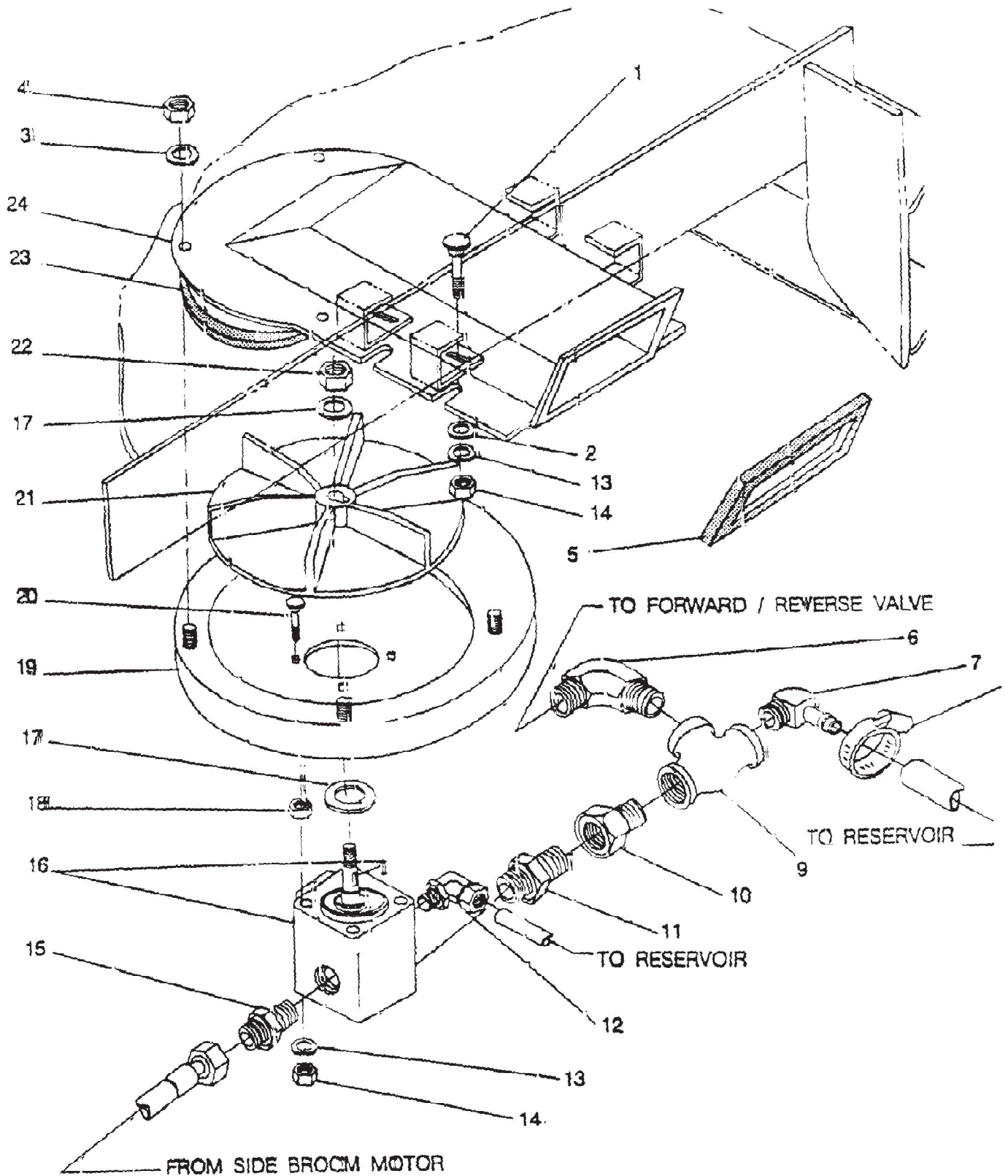


Referenznummer	Artikelnummer	Menge	Description
1			See Option - Brooms And Brushes diagram and parts list.
2	8-03-04213	1	Arm, Idler
3	8-75-01147	1	Spacer, Idler
4	8-30-05112	1	Guard, Thread
5	2-00-00518	7	Lock Washer, Helical Spring 1/4 Med
6	2-00-02585	2	Screw, 1/4 - 20 x .375 HHC
7	2-00-03158	1	Spacer, .750 x .500 x .375
8	2-00-02312	1	Lock Washer, Helical Spring 1/2 Med
9	2-00-00596	1	Nut, Hex 1/2 - 13 x .750 x .437
10	2-00-04750	3	Screw, 1/4 - 28 x .500 BHS
11	2-00-01467	2	Screw, 1/4 - 20 x .750 HSHC
12	8-25-08158	1	Outer Rear Flap
13	8-25-08159	1	Rear Flap
14	2-00-00605	9	Nut, Hex MS #10 - 24 x .375 x .125
15	2-00-00519	9	Lock Washer, Helical Spring #10 Med
16	2-00-03062	9	Screw, #10 - 24 x .625 THM
17	8-81-00132	1	Support, Main Broom
18	8-16-07258	1	Cover, Main Broom Support
19	0885-061	1	Motor, w/ 3/16 Sq. x .63 Long Key
	0880-293	1	Seal Kit for 0880-293 (Up to Serial Number 610022) (Not Shown)
	0780-144	1	Seal Kit for 0880-293 (Serial No. 610022 & Above) (Not Shown)
20	8-30-05116	1	Guard, Thread
21	8-33-05086	1	Housing, Main Broom Motor
22	8-33-09062	1	Hub, Drive
23	2-00-00263	2	Setscrew, 1/4 - 20 x .250 HS-KCP
24	8-33-09059	1	Hub, Idler
25	2-00-03306	2	Bearing
26	2-00-00402	1	Flat Washer, .750 x .390 x .093
27	2-00-02310	1	Lock Washer, Helical Spring 3/8 Med
28	2-00-00232	1	Screw, 3/8 - 16 x .750 HHC
29	2-00-02616	1	Screw, 1/2 - 13 x 3.000 HHC

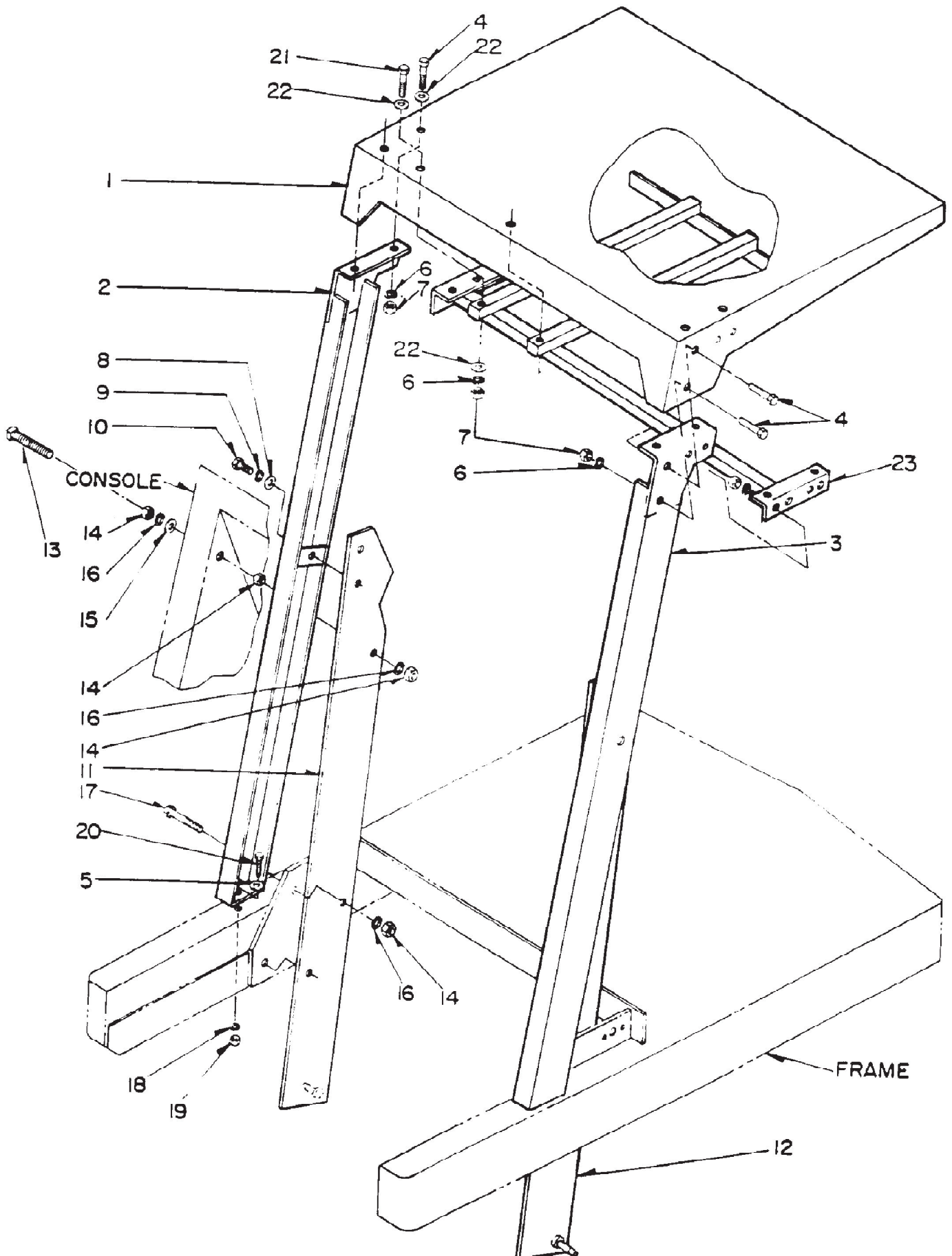


Referenznummer	Artikelnummer	Menge	Description
1	8-29-00141	1	Gasket, Upper Hopper Seal
2	8-29-00142	2	Gasket, Side Hopper Seal
3	8-16-07259	1	Cover, Broom Chamber Right Hand
4	2-00-00519	15	Lock Washer, Helical Spring #10 Med
5	2-00-02848	15	Screw, #10 - 32 x .500 RHM
6	8-79-00083	1	Strap, Flap Front
7	8-25-08157	1	Flap, Right Hand Main Broom Chamber
8	8-79-00084	1	Strap, Right Hand Side Flap
9	2-00-00232	2	Screw, 3/8 - 16 x .750 HHC
10	2-00-02310	8	Lock Washer, Helical Spring 3/8 Med
11	2-00-00402	8	Flat Washer, .750 x .390 x .093
12	8-00-01075	2	Bushing, Bronze
13	8-21-04031	1	Edging
14	8-33-05104	1	Chamber, Broom
15	8-29-00143	1	Gasket, Left Hand Door Seal
16	2-00-02360	9	Nut, Hex 3/8 - 16 x .562 x .328
17	2-00-03855	6	Carriage Bolt, 3/8 - 16 x 1.000
18	2-00-00643	3	Nut, Hex Fiber Insert 3/8 - 16
19	8-89-06845	1	Door, Broom Chamber
20	0106-011	1	Knob
21	8-79-00087	1	Strap, Left Hand Broom Chamber
22	8-65-00035	1	Retainer, Flap
23	8-25-08161	1	Flap, Left Hand Broom Door
24	8-66-00153	1	Handle
25	8-31-06081	1	Lock, Lever Handle
26	8-66-00152	1	Rod, Main Broom
27	8-14-01011	1	Clevis
28	2-00-00233	1	Screw, 3/8 - 16 x 1.000 HHC
29	8-42-05129	1	Broom Lift Link
30	2-00-02708	1	Screw, 5/16 - 18 x 1.000 HHM
31	2-95-01942	1	Flat Washer, .750 x .312 x .059
32	2-00-03382	1	Spring Washer, .875 x .500 x .015
33	8-41-05070	1	Broom Lift Lever
34	7-09-01057	1	Bushing
35	2-00-00530	1	Lock Washer, Helical Spring 5/16 Med
36	2-00-00585	1	Nut, Hex 5/16 - 18 x .500 x .265
37	7-76-00102	1	Spring
38	2-00-00594	6	Nut, Hex 1/4-20 x .437 x .218
39	2-00-00518	4	Lock Washer, Helical Spring 1/4 Med
40	8-32-00038	1	Hinge
41	7-23-03099	2	Stud
42	2-00-03702	4	Flat Washer, .625 x .281 x .062
43	2-00-00221	2	Screw, 1/4 - 20 x .750 HHC

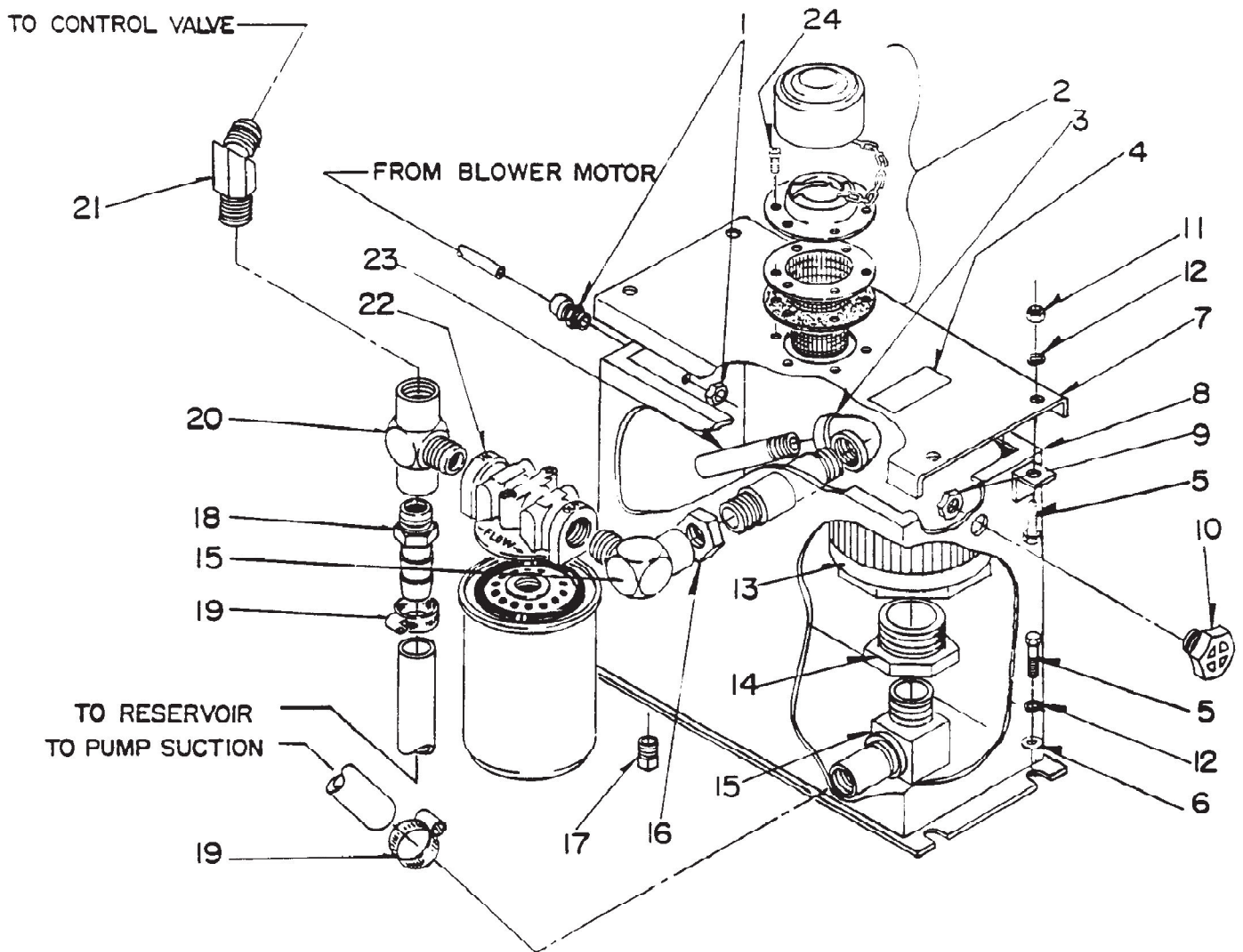
Referenznummer	Artikelnummer	Menge	Description
1	2-00-00051	1	Screw, 1/4 - 20 x .750 RHM
2	2-00-00641	2	Nut, Hex Fiber Insert 1/4 - 20
3	8-10-00027	1	Cable
4	8-16-07268	1	Cover
5	8-08-00501	1	Bracket - Cable
6	2-00-00209	2	Screw, 3/8 - 16 x 1.250 HHC
7	2-00-02310	4	Lock Washer, Helical Spring 3/8 Med
8	8-33-05091	1	Housing
9	8-50-05048	1	Pad
10	8-16-07252	1	Cover
11	2-00-00049	3	Screw, #10 - 24 x .500 RHM
12	2-00-00519	3	Lock Washer, Helical Spring #10 Med
13	2-00-00006	2	Screw, #10 - 24 x .625 FHM
14	8-28-05015	1	Fuse - A.K.C. 100 Amp
15	2-00-00594	3	Nut Hex 1/4-20 x .437 x .218
16	2-00-00518	4	Lock Washer, Helical Spring 1/4 Med
17	2-00-03702	4	Flat Washer, .625 x .281 x .062
18	8-06-05004	2	Terminal Fuse
19	0882-031	1	Motor - 36V
	7-08-03152	4	Motor Brush Assembly Not shown
	8-24-02003	1	Motor Field Assembly Not shown
	8-03-05005	1	Motor Armature Assembly Not shown
20	2-00-00585	6	Nut, Hex 5/16-18 x .500 x .265
21	2-00-00531	8	Lock Washer, Helical Spring 1/2 X.Hvy
22	8-75-01149	4	Spacer, 1.625 x .375 x .375
23	8-21-04030	1	Edging
24	2-00-01803	6	Flat Washer, 1.062 x .328 x .062
25	2-00-00225	4	Screw, 5/16-18 x 1.500 HHC
26	8-16-05016	1	Flexible Coupling
	8-75-05018	1	Hytrek Spider
27	8-08-00489	1	Bracket - Sol. Fuse Support
28	2-00-00220	2	Screw, 1/4-20 x .625 HHC
29	2-00-04825	1	Solenoid - Run
30	2-00-00218	1	Screw, 5/16-18 x 2.000 HHC
31	8-75-01148	1	Isolator
32	8-60-05014	1	Hydraulic Pump
33	2-00-05002	2	Screw, 5/16-18 x 6.500 HHC
34	2-00-04469	1	Street Elbow, 90° - 3/4-14 M-F
35	2-00-02220	1	Hose Clamp, .812 - 1.500
36	8-21-04044	1	Edging
37	2-00-00233	2	Screw, 3/8 - 16 x 1.000 HHC
38	2-00-04216	1	37° - JIC 90° - Elbow M, 1/2-14 / 3/4-16
39	2-00-00205	1	Screw, 1/4-20 x 1.000 HHC
40	2-00-03585	1	Pipe Nipple, 3/4 NPT x 2 (Thread one end)



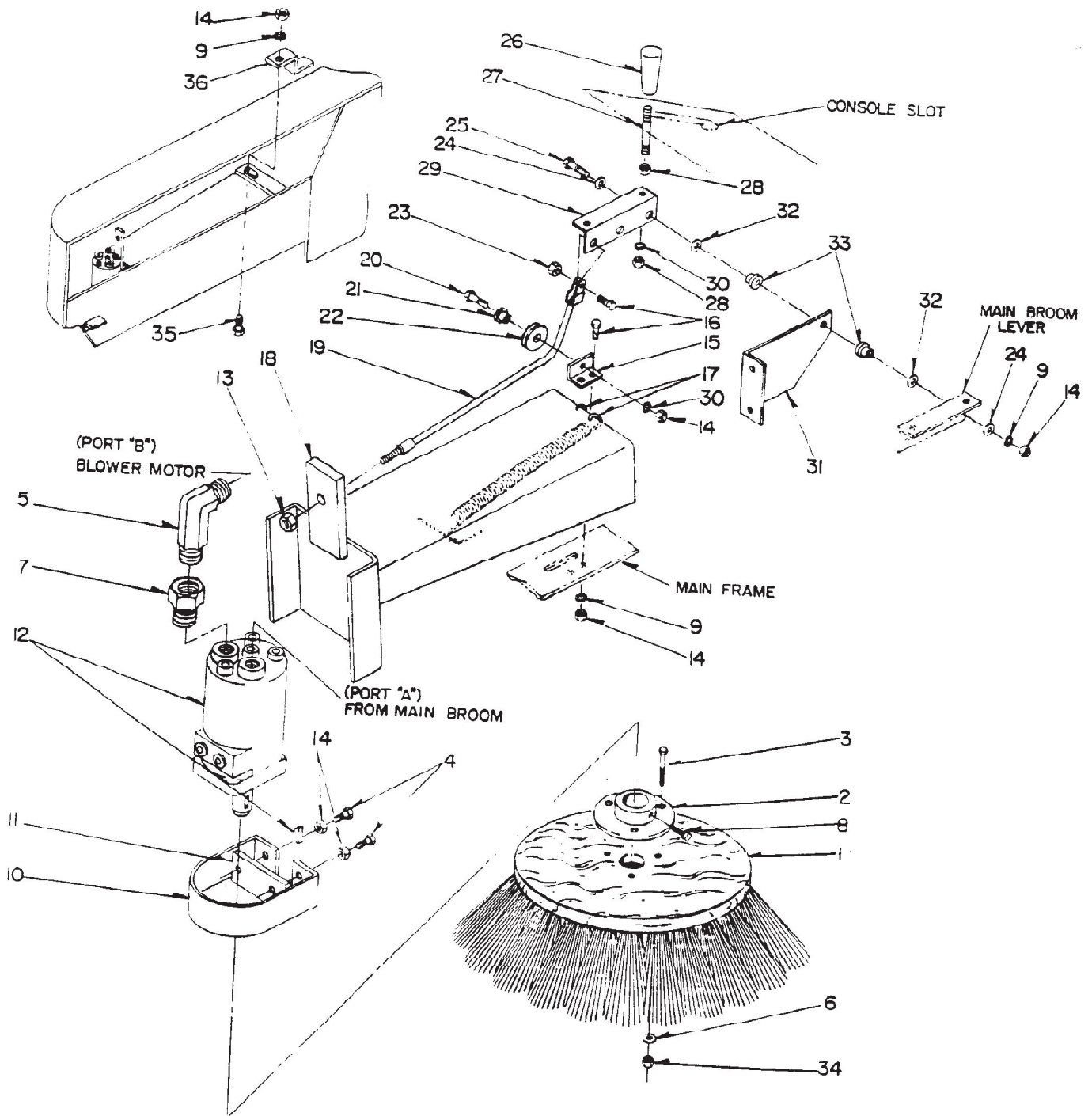
Referenznummer	Artikelnummer	Menge	Description
1	2-00-03569	4	Carriage Bolt, 5/16-18 x .750 HHC
2	2-00-03702	4	Flat Washer, .625 x .281 x .062
3	2-00-00518	4	Lock Washer, Helical Spring 1/4 Med
4	2-00-00594	4	Nut, Hex 1/4 - 20 x .437 x .218
5	8-29-00144	1	Gasket, Vacuum Motor Duct
6	2-00-04215	1	37ø JIC 90ø Elbow M, 3/4-14 / 3/4-16
7	7-25-02038	1	90ø Barb Stem, 3/4-14
8	2-00-02220	1	Hose Clamp, .812 - 1.500
9	2-00-03725	1	Pipe Tee, 3/4 NPT
10	2-00-04474	1	Pipe Thread Reducer, 3/4-14M - 1/2-12F
11	2-00-04576	1	Pipe Nipple, 1/2-14 x 1.89
12	2-95-01292	1	Compression Male 90ø Elbow, 1/8
13	2-00-00530	8	Lock Washer, Helical Spring 5/16 Med
14	2-00-00585	8	Nut, Hex 5/16 - 18 x .50 x .265
15	2-00-04528	1	37ø Male Connector, 1/2-14 to 3/4-16
16	0885-052	1	Motor, Impeller Key, .125 x .750 SQ
17	2-00-00484	2	Flat Washer, .625 x .375 x .046
18	2-00-02371	4	Nut, Hex Jam 1/2-13 x .750 x .312
19	8-30-05103	1	Impeller, Shroud
20	2-00-04733	4	Carriage Bolt, 5/16-18 x 3.750
21	8-23-00012	1	Impeller
22	2-00-00631	1	Nut, Hex Fiber Insert 5/16 - 24
23	8-29-00111	1	Gasket, Shroud
24	8-20-06032	1	Blower Tube



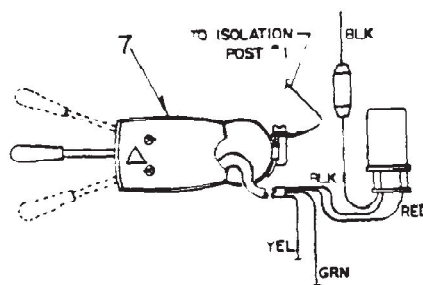
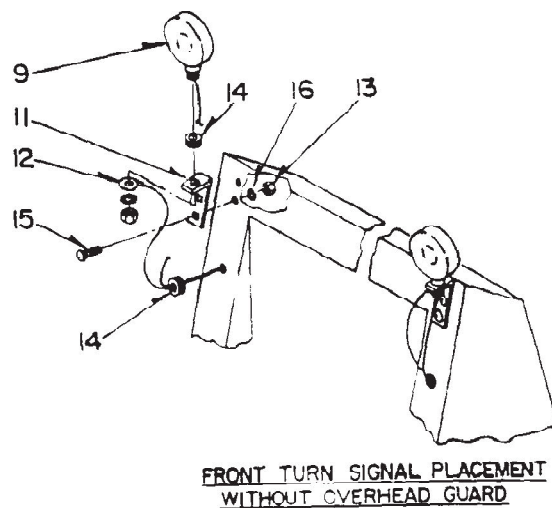
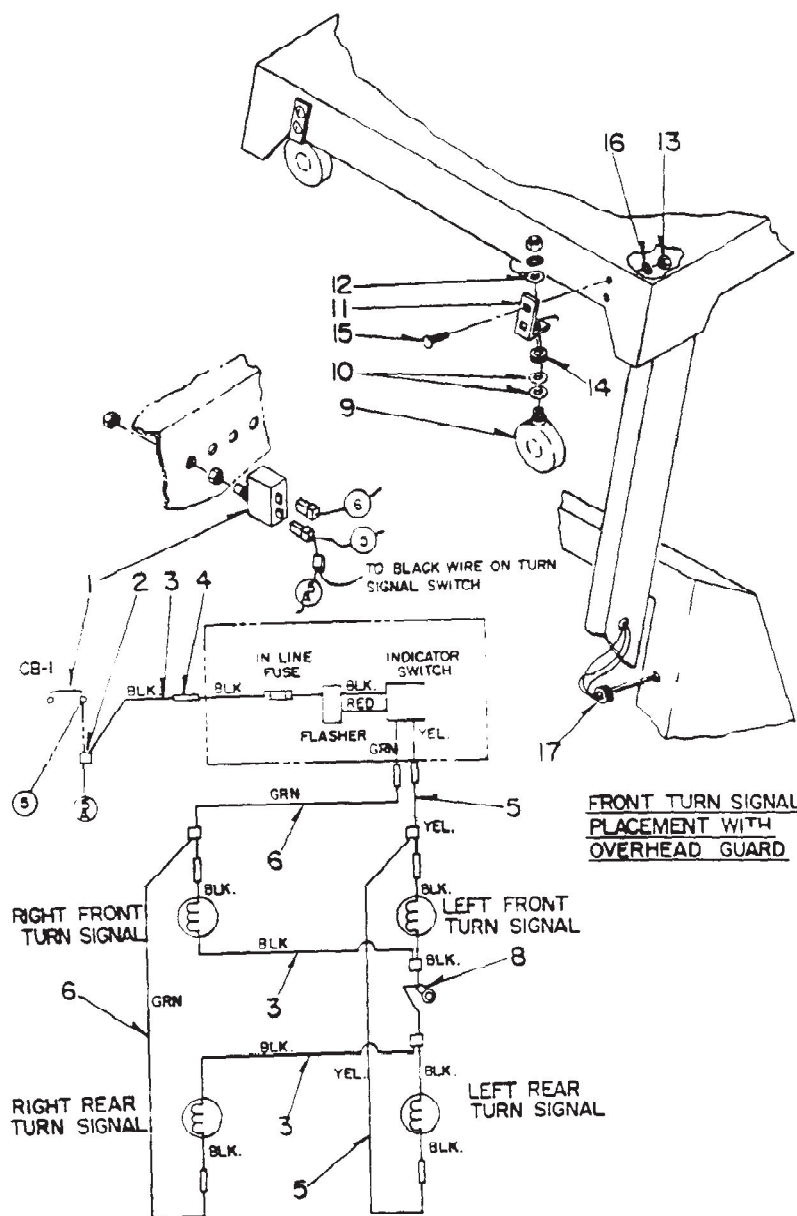
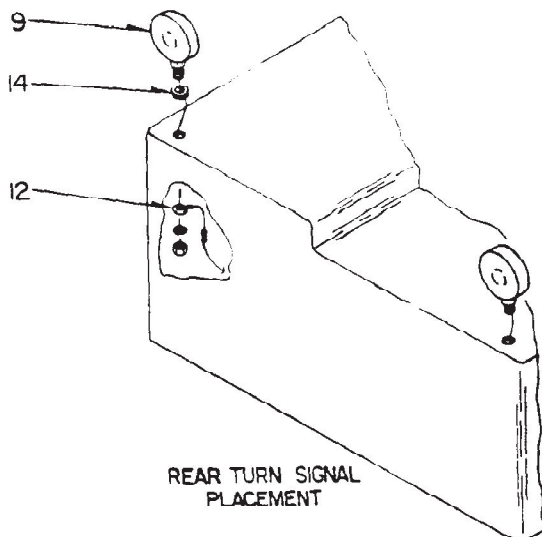
Referenznummer	Artikelnummer	Menge	Description
1	8-30-05139	1	Guard
2	8-81-00157	1	Right Hand Support
3	8-81-00159	1	Left Hand Support
4	2-00-00209	12	Screw, 3/8-16 x 1.250 HHC
5	2-00-00420	2	Flat Washer, 1.000 x .515 x .062
6	2-00-02310	14	Lock Washer, Helical Spring 3/8 Med
7	2-00-02360	14	Nut, Hex 3/8 - 16 x .562 x .328
8	2-00-04159	2	Flat Washer, 1.375 x .562 x .109
9	2-00-02312	2	Lock Washer, Helical Spring 1/2 Med
10	2-00-00239	2	Screw, 1/2 - 13 x 1.000 HHC
11	8-03-04273	1	Right Hand Front Wheel Arm
12	8-03-04274	1	Left Hand Front Wheel Arm
13	2-00-02981	2	Screw, 1/2 - 13 x 2.500 SH-CP
14	2-00-00596	8	Nut, Hex 1/2 - 13 x .750 x .437
15	2-00-04159	2	Flat Washer, 1.375 x .562 x .109
16	2-00-02312	6	Lock Washer, Helical Spring 1/2 Med
17	2-00-00241	2	Screw, 1/2 - 13 x 1.750 HHC
18	2-00-02311	2	Lock Washer, Helical Spring 7/16 Med
19	2-00-00620	2	Nut, Hex 7/16 - 14 x .687 x .375
20	2-00-00238	2	Screw, 7/16 - 14 x 1.250 HHC
21	2-00-04698	2	Screw, 3/8-16 x 2.250 HHC
22	2-00-04801	8	Flat Washer, .875 x .375 x .125
23	8-81-00164	1	Top Support



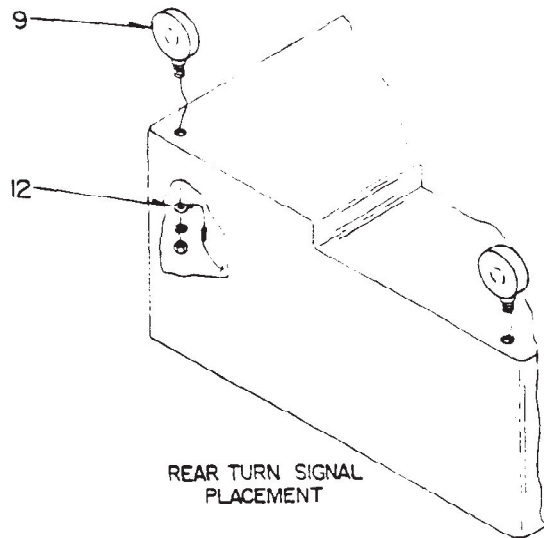
Referenznummer	Artikelnummer	Menge	Description
1	8-09-01088	1	Liquid Tight Fitting
2	8-11-00026	1	Filler, Breather Cap
3	2-00-03639	1	Pipe Elbow, 90° 3/4 NPT
4	8-18-00306	1	Decal
5	2-00-00221	8	Screw, 1/4-20 x .750 HHC
6	2-00-03702	4	Flat Washer, .625 x .281 x .062
7	8-16-07333	1	Cover
8	8-83-04038	1	Reservoir
9	2-00-05069	1	Nut, Lock 1.062-12
10	8-48-05033	1	Sight Level Gauge
11	2-00-00594	4	Nut, Hex 1/4 - 20 x .437 x .218
12	2-00-00518	8	Lock Washer, Helical Spring 1/4 Med
13	8-24-04065	1	Strainer, Solution
14	2-00-04680	1	Pipe Reducer Bushing, 1 NPT M - 3/4 NPT
15	2-00-04469	1	Street Elbow 90°, 3/4-14
16	2-00-05013	1	Pipe Nut, 3/4 NPT
17	2-00-02474	1	Pipe Plug, 1/2 NPT
18	7-25-02012	1	Hose Fitting, Barb 3/4-14
19	2-00-02220	2	Hose Clamp, .812 - 1.500
20	2-00-04467	1	Male Branch Tee, 3/4-14 M to F
21	2-00-04361	1	37° JIC 45° Male Elbow, 3/4-14 / 3/4-16
22	7-24-04013	1	Filter Assembly
	7-24-04014	1	Filter, Element
23	2-00-05070	1	Pipe Nipple, 3/4 NPT x 3.500
24	2-00-03940	6	Screw, #10-24 x .500 TC/HH



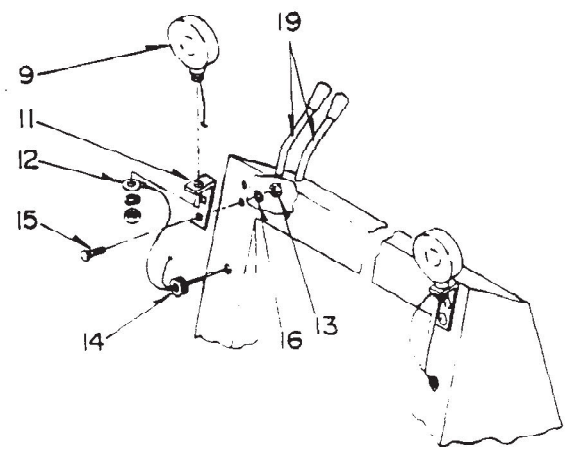
Referenznummer	Artikelnummer	Menge	Description
1	8-08-03140	1	Side Broom
2	8-25-06009	1	Flange
3	2-00-01769	3	Screw, 1/4-20 x 1.750 HHC
4	2-00-02709	2	Screw, 5/16-18 x 1.500 HHM
5	2-00-05072	2	90° Long Elbow, 3/8 NPT - 3/4 JIC
6	2-00-03702	3	Flat Washer, .625 x .281 x .062
7	8-25-02013	2	Adapter, 3/4-16 x 3/8 NPT
8	2-00-04180	1	Set screw, 1/4 - 20 x .500 SH-CP
9	2-00-00530	4	Lock Washer, Helical Spring 5/16 Med
10	8-13-07096	1	Clamp
11	8-05-07087	1	Bar Clamp
12	0882-042	1	Motor w/Key, #15 Woodruff
13	2-00-00631	1	Nut, Hex Fiber Insert 5/16 - 24
14	2-00-00585	6	Nut, Hex 5/16 - 18 x .500 x .265
15	7-08-00501	1	Pulley Bracket
16	2-00-00208	3	Screw, 5/16 - 18 x .750 HHC
17	8-76-00054	2	Spring
18	8-03-04277	1	Arm, Side Broom
19	8-10-00031	1	Lift Cable
20	2-00-00234	1	Screw, 3/8 - 16 x 1.500 HHC
21	8-09-01065	1	Bushing
22	8-60-00140	1	Cable Pulley
23	2-00-00644	1	Nut, Hex Fiber Insert 5/16 - 18
24	2-95-01942	2	Flat Washer, .750 x .312 x .0598
25	2-00-00225	1	Screw, 5/16 - 18 x 1.500 HHC
26	8-31-06081	1	Handle
27	8-66-00153	1	Handle Rod
28	2-00-02360	4	Nut, Hex 3/8 - 16 x .562 x .328
29	8-41-05070	1	Lever
30	2-00-02310	2	Lock Washer, Helical Spring 3/8 Med
31	8-08-00638	1	Bracket
32	2-00-03382	2	Spring Washer, .875 x .500 x .015
33	7-09-01057	2	Bushing
34	2-00-00641	3	Nut, Fiber Lock 1/4-20
35	2-00-00207	1	Screw, 5/16 - 18 x 1.250 HHC
36	7-81-00129	1	Support



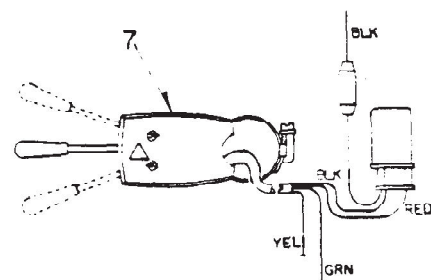
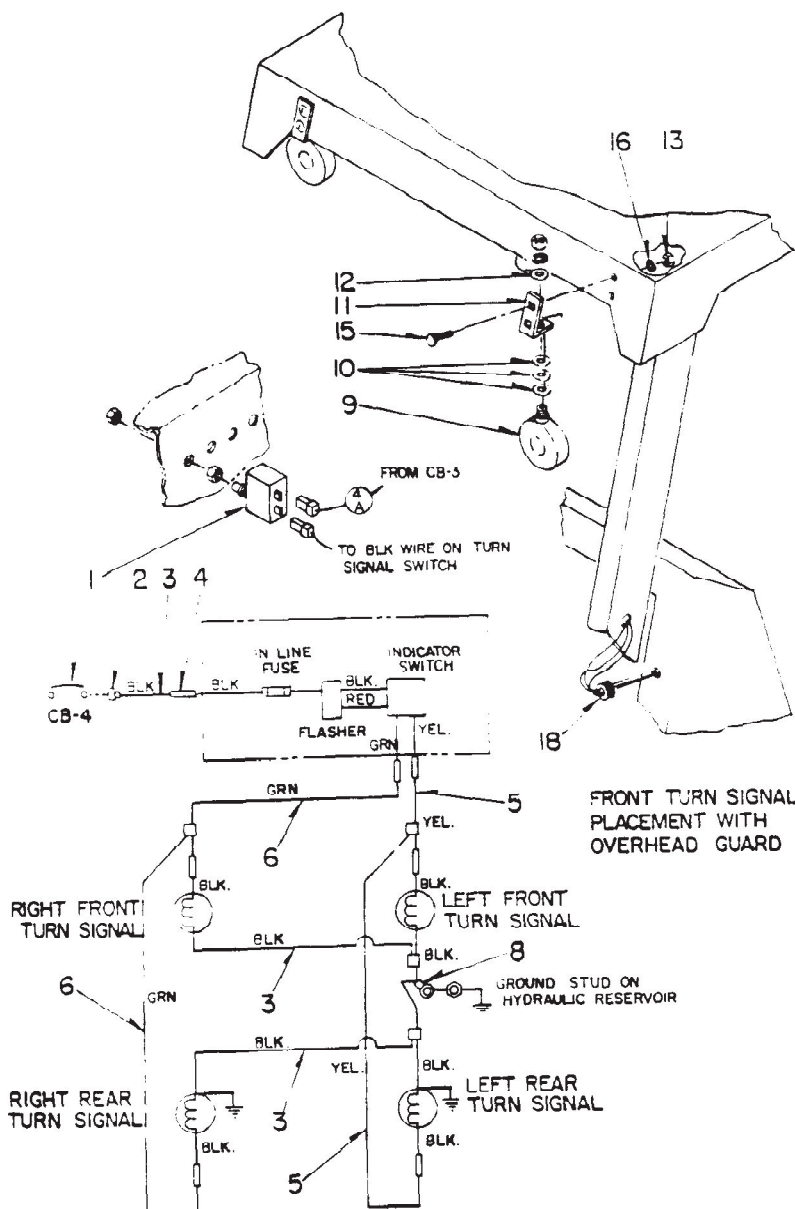
Referenznummer	Artikelnummer	Menge	Description
1	8-64-00008	1	Circuit Breaker, 15 Amp
2	2-00-04479	5	Terminal
3	3-61-00189	1	Wire, 16 AWG. Black 10ft
4	2-00-01128	7	Terminal
5	3-61-00231	1	Wire, 16 AWG. Yellow 10ft
6	3-61-00249	1	Wire, 16 AWG. Green 10ft
7	8-82-00025	1	Turn Signal Switch
8	2-00-00828	4	Terminal
9	8-40-05023	4	Turn Signal Light
10	2-00-00402	4	Flat Washer, .750 x .390 x .093
11	8-08-00503	2	Light Bracket
12	2-00-05048	4	Terminal
13	2-00-00594	2	Nut, Hex 1/4 - 20 x .437 x .218
14	2-00-00491	5	Grommet
15	2-00-03575	2	Carriage Bolt, 1/4 - 20 x .750
16	2-00-00518	2	Lock Washer, Helical Spring 1/4 Med
17	2-00-04783	1	Grommet
	7-13-07096	15	Adjustable Clamp Not shown



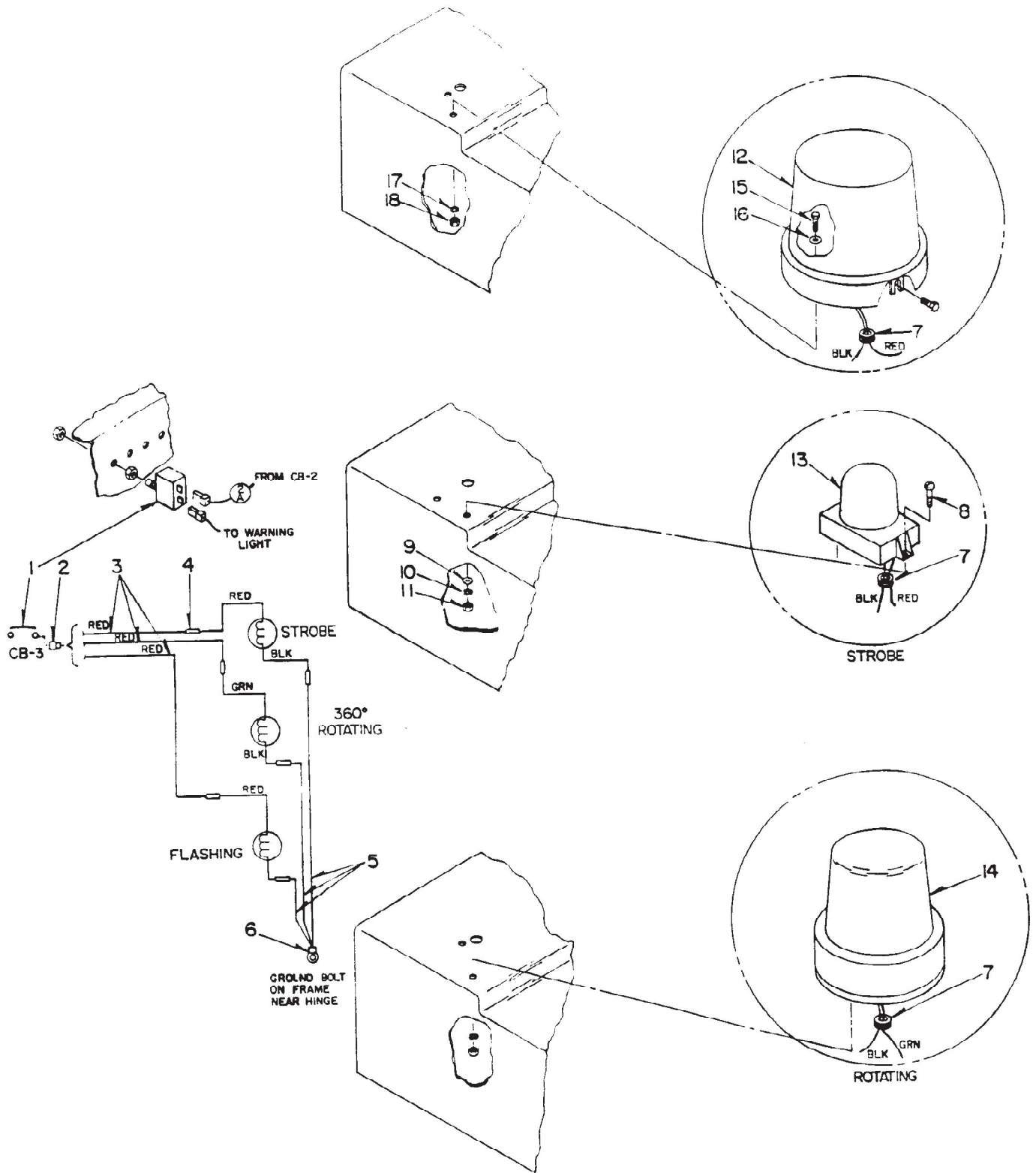
REAR TURN SIGNAL
PLACEMENT



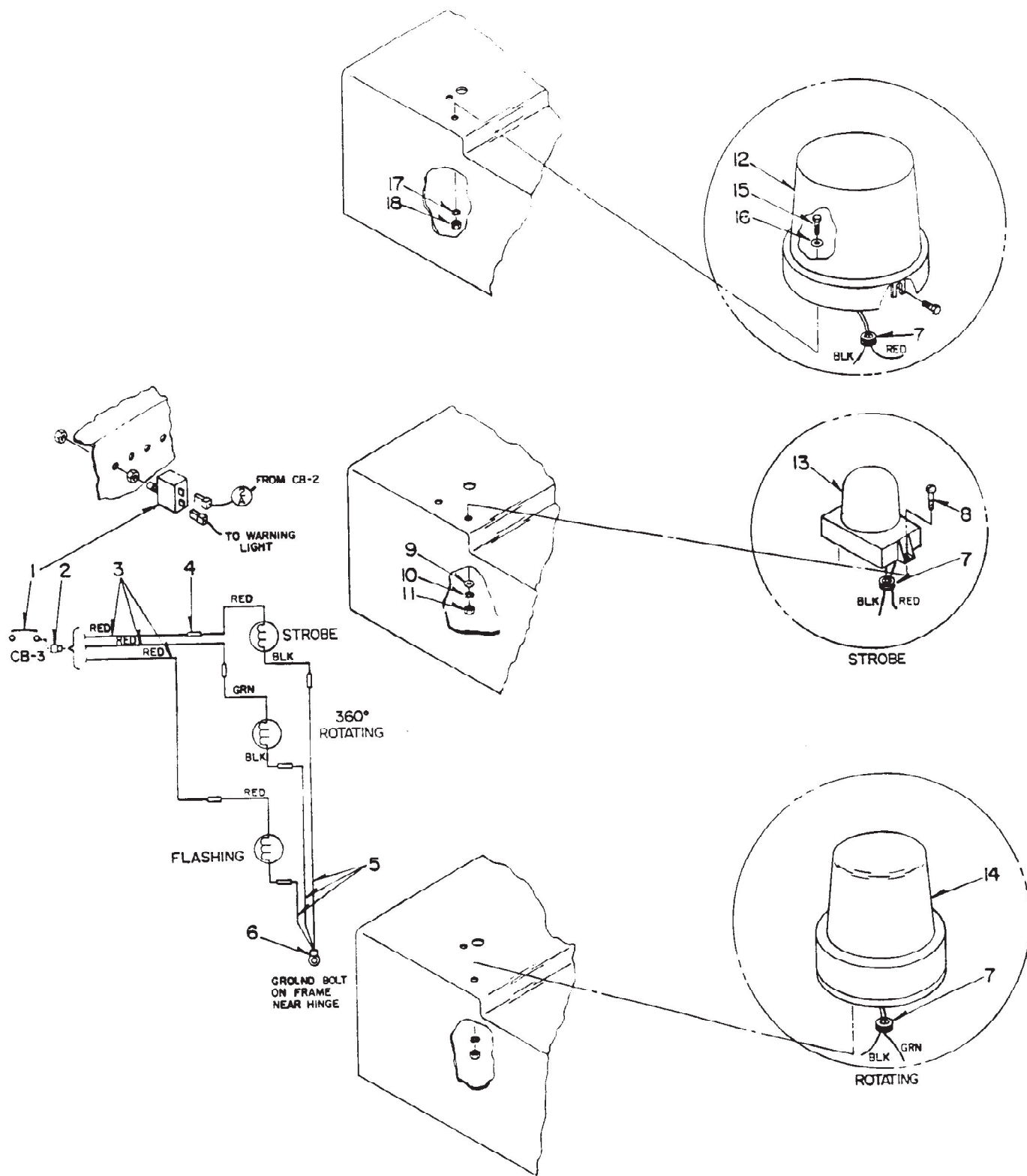
FRONT TURN SIGNAL PLACEMENT
WITHOUT OVERHEAD GUARD



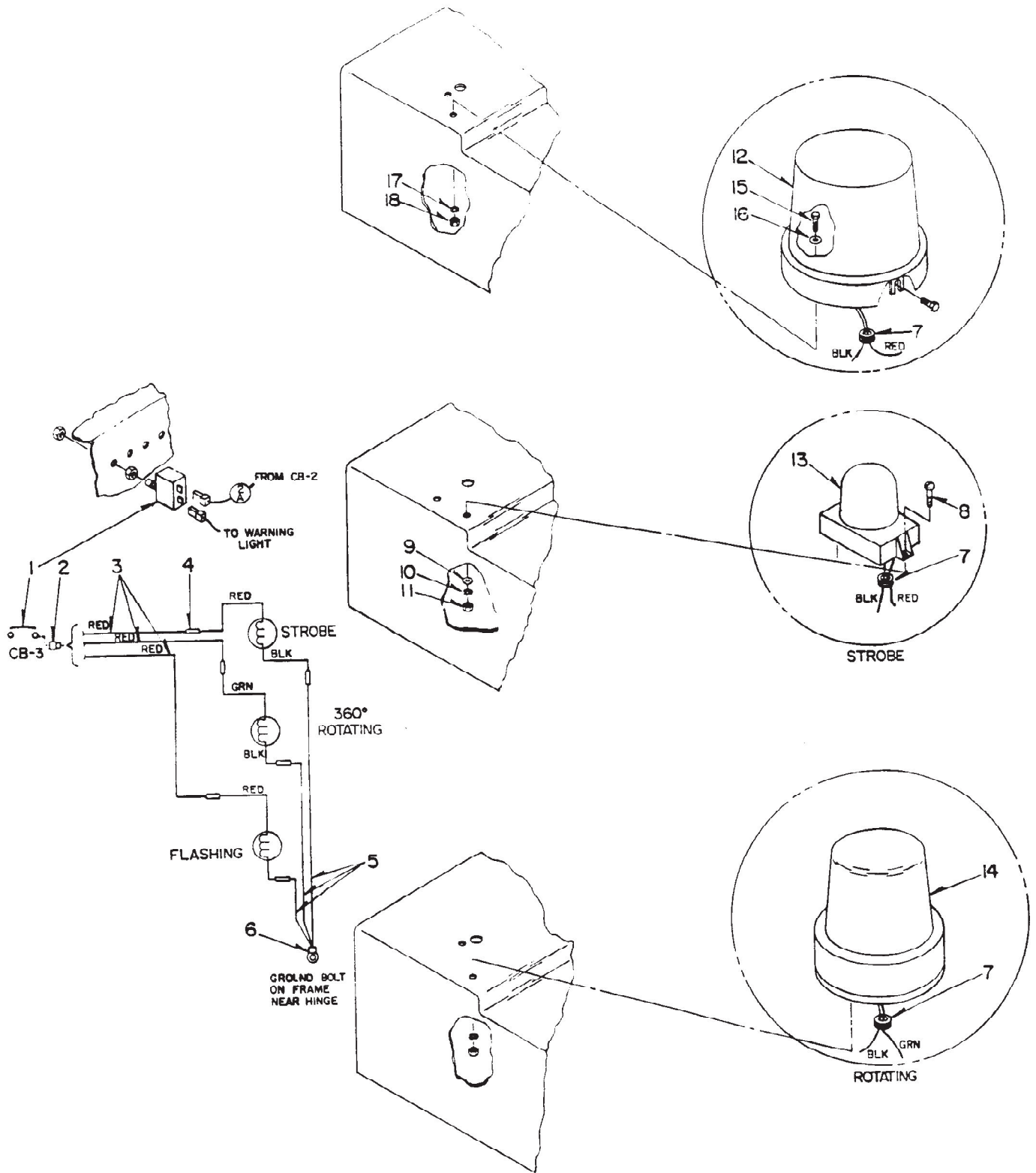
Referenznummer	Artikelnummer	Menge	Description
1	8-64-00008	1	Circuit Breaker. 15 Amp
2	2-00-03418	3	Terminal
3	3-61-00189	1	Wire. 16 AWG. Black 10ft
4	2-00-01128	7	Terminal
5	3-61-00231	1	Wire. 16 AWG. Yellow 10ft
6	3-61-00249	1	Wire. 16 AWG. Green 10ft
7	8-82-00025	1	Turn Signal Switch
8	2-00-00828	2	Terminal
9	8-40-05023	4	Turn Signal Light
10	2-00-00402	6	Flat Washer, .750 x .390 x .093
11	8-08-00503	2	Light Bracket
12	2-00-05048	4	Terminal
13	7-13-07096	15	Adjustable Clamp Not shown UNKNOWN
14	2-00-00491	2	Grommet
15	2-00-03575	2	Carriage Bolt. 1/4 - 20 x .750
16	2-00-00518	2	Lock Washer, Helical Spring 1/4 Med
17	2-00-00594	2	Nut, Hex 1/4 - 20 x .437 x .213
18	2-00-04783	1	Grommet (With Overhead Guard Only)
19	8-66-00158	2	Broom Lift Handle Rod (Without Overhead Guard)



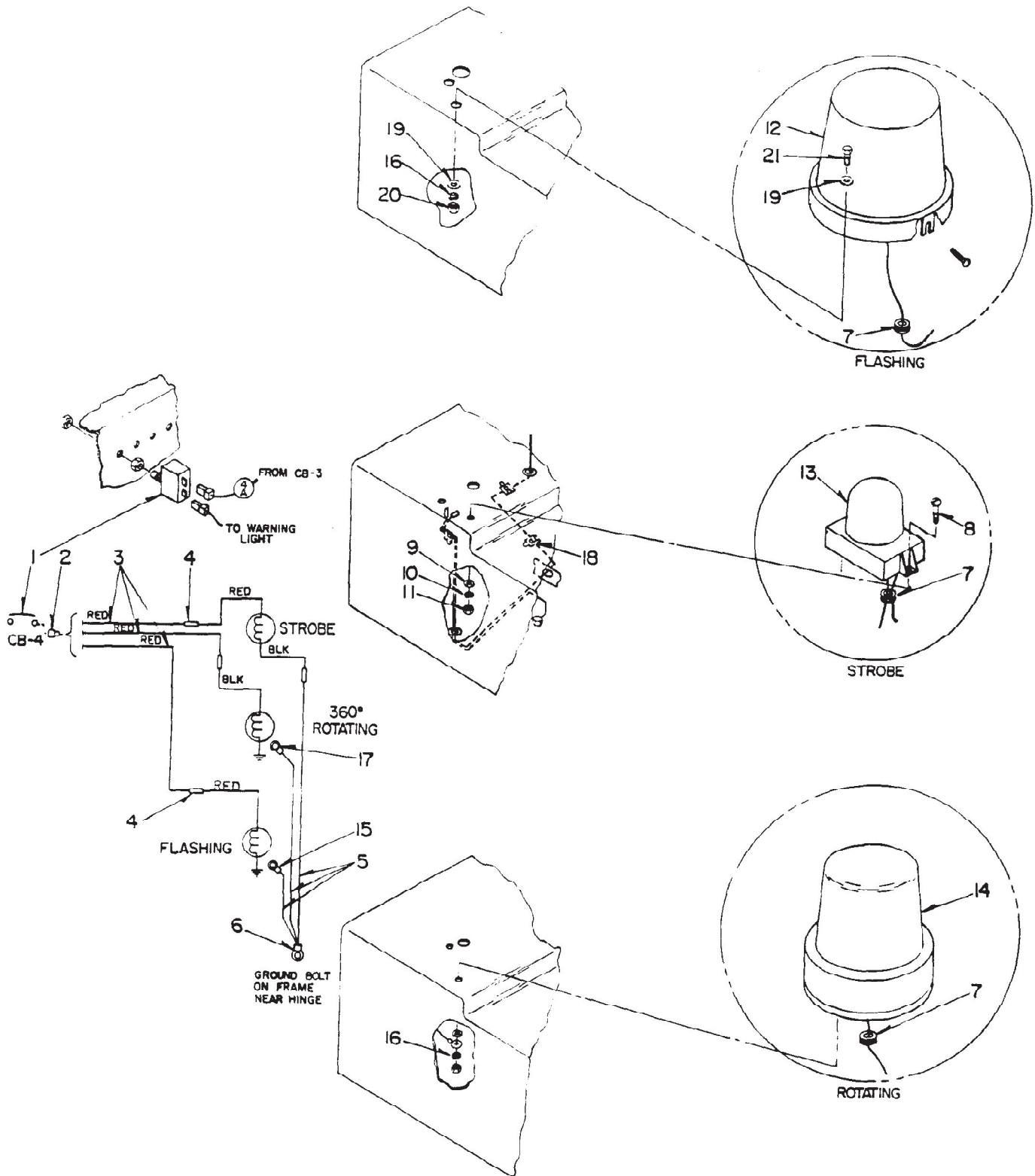
Referenznummer	Artikelnummer	Menge	Description
	0880-428		Red Flashing Warning Light Assembly
	0880-428-1		Amber Flashing Warning Light Assembly
1	8-64-0008	1	Circuit Breaker, 15 Amp
2	2-00-03418	3	Terminal
3	3-61-00193	1	Wire, 16 AWG (Red) 10ft
4	2-00-01128	2	Terminal
5	3-61-00189	1	Wire, 16 AWG (Black) 5ft
6	2-00-04282	1	Terminal
7	2-00-00491	1	Grommet
8		0	Screw, #10 - 24 x .750 TH Not Used On This Model
9		0	Flat Washer, .500 x .218 x .062 Not Used On This Model
10		0	Lock Washer, Helical Spring #10 Med Not Used On This Model
11		0	Nut, Hex MS #10 - 24 x .375 x .125 Not Used On This Model
12	8-40-05013	1	Flashing Light (Red)
12	8-40-05042	1	Flashing Light (Amber)
13		0	Strobe Light (Red) Not Used On This Model
13		0	Strobe Light (Amber) Not Used On This Model
14		0	360° Rotating Light (Red) Not Used On This Model
14		0	360° Rotating Light (Amber) Not Used On This Model
15	2-00-00222	2	Screw, 1/4 - 20 x 1.250 HHM
16	2-00-03702	2	Flat Washer, .625 x .281 x .062
17	2-00-00518	2	Lock Washer, Helical Spring 1/4 Med
18	2-00-00594	2	Nut, Hex 1/4 - 20 x .437 x .218
	7-13-07096	10	Adjustable Clamp Not shown



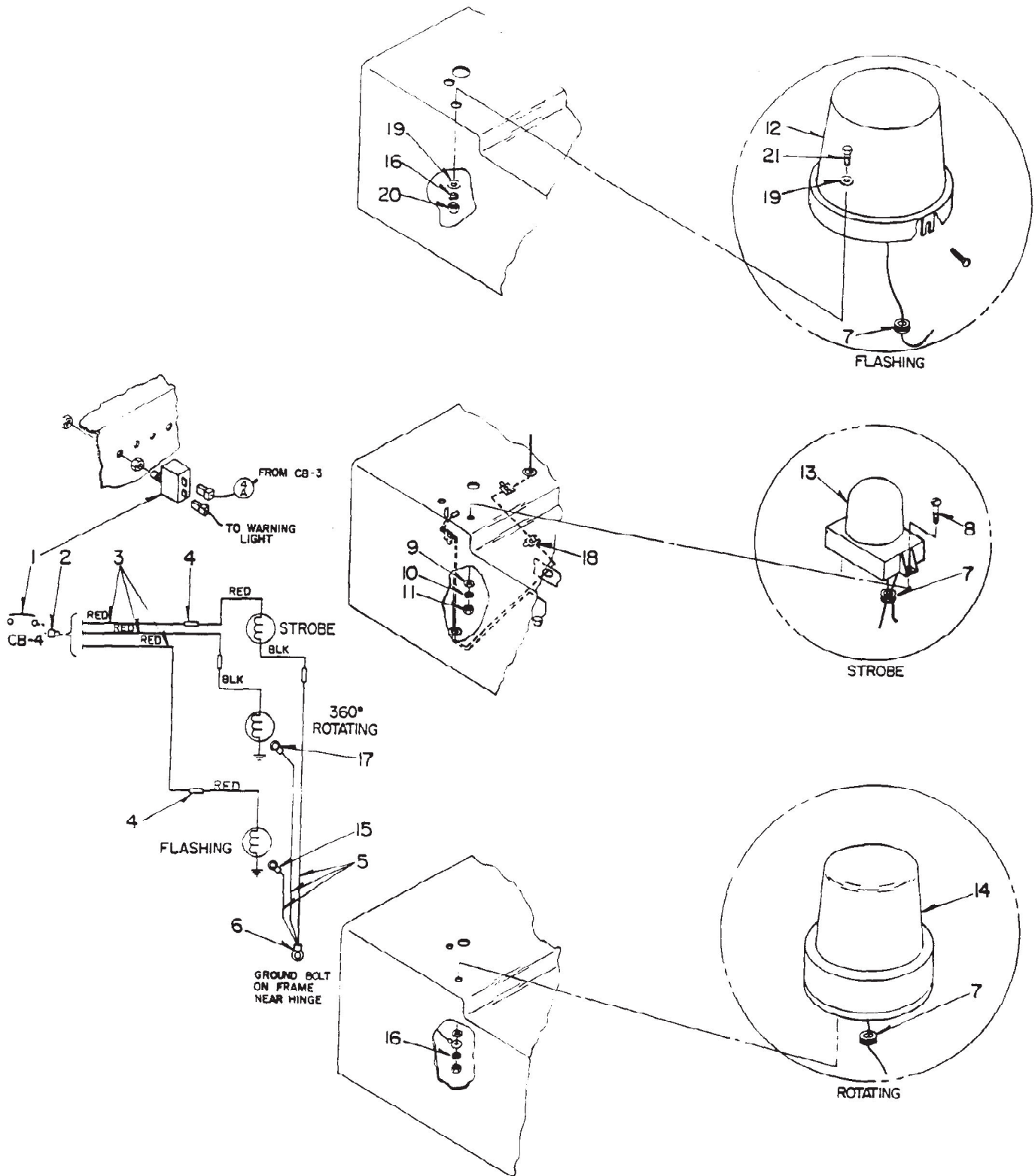
Referenznummer	Artikelnummer	Menge	Description
	0880-430		Red 360° Rotating Warning Light Assembly
	0880-430-1		Amber 360° Rotating Warning Light Assembly
1	8-64-0008	1	Circuit Breaker, 15 Amp
2	2-00-03418	3	Terminal
3	3-61-00193	1	Wire, 16 AWG (Red) 10ft
4	2-00-01128	2	Terminal
5	3-61-00189	1	Wire, 16 AWG (Black) 10ft
6	2-00-00828	1	Terminal
7	2-00-00491	1	Grommet
8		0	Screw, #10 - 24 x .750 TH Not Used On This Model
9		0	Flat Washer, .500 x .218 x .062 Not Used On This Model
10		0	Lock Washer, Helical Spring #10 Med Not Used On This Model
11		0	Nut, Hex MS #10 - 24 x .375 x .125 Not Used On This Model
12		0	Flashing Light (Red) Not Used On This Model
12		0	Flashing Light (Amber) Not Used On This Model
13		0	Strobe Light (Red) Not Used On This Model
13		0	Strobe Light (Amber) Not Used On This Model
14	8-40-05015	1	360° Rotating Light (Red)
14	8-40-05034	1	360° Rotating Light (Amber)
15		0	Screw, 1/4 - 20 x 1.250 HHM Not Used On This Model
16		0	Flat Washer, .625 x .281 x .062 Not Used On This Model
17		0	Lock Washer, Helical Spring 1/4 Med Not Used On This Model
18		0	Nut, Hex 1/4 - 20 x .437 x .218 Not Used On This Model
	7-13-07096	10	Adjustable Clamp Not shown



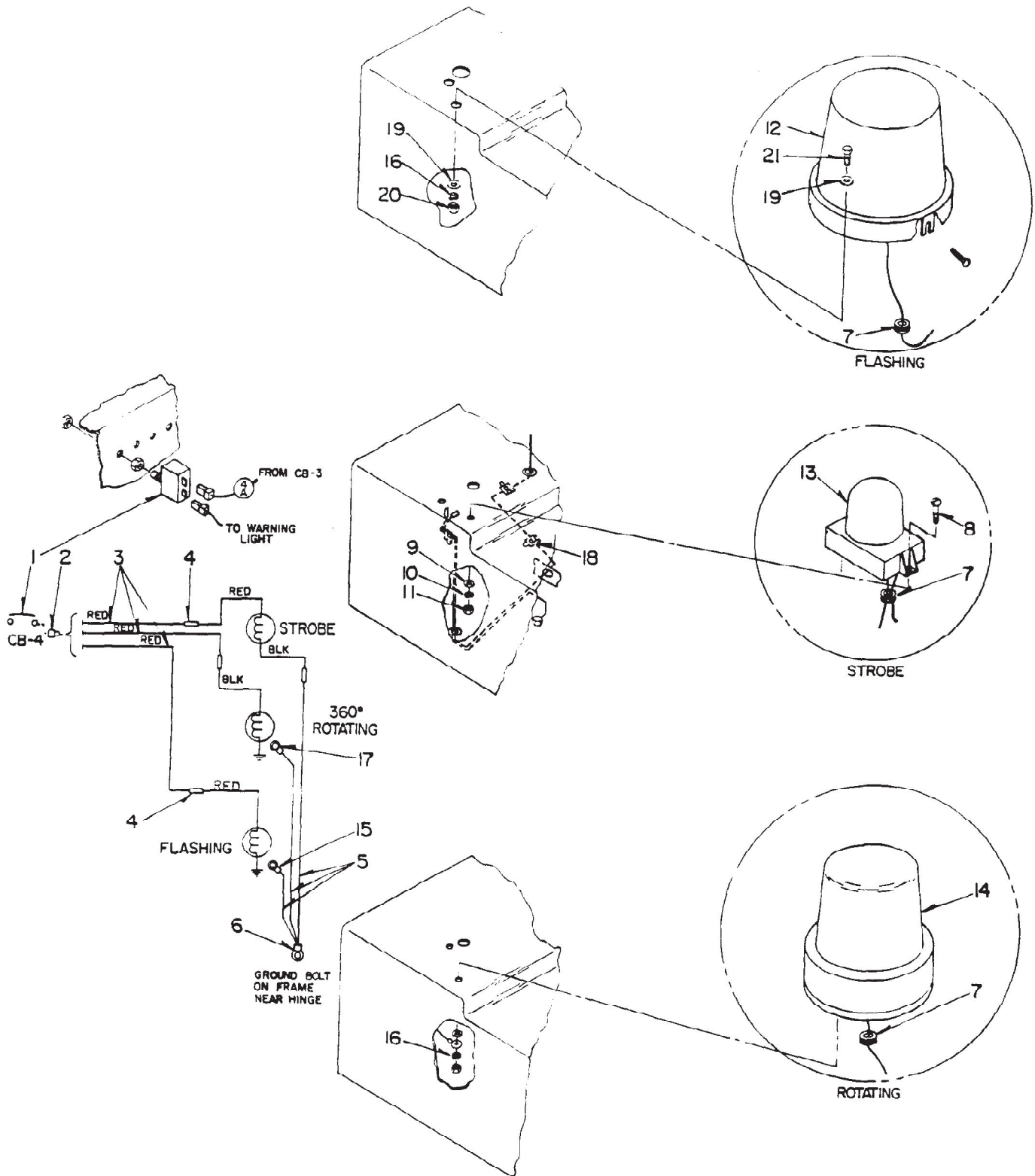
Referenznummer	Artikelnummer	Menge	Description
	0880-429		Red Strobe Warning Light Assembly
	0880-429-1		Amber Strobe Warning Light Assembly
1	8-64-0008	1	Circuit Breaker, 15 Amp
2	2-00-03418	3	Terminal
3	3-61-00193	1	Wire, 16 AWG (Red) 10ft
4	2-00-01128	2	Terminal
5	3-61-00189	1	Wire, 16 AWG (Black) 10ft
6	2-00-00828	1	Terminal
7	2-00-00491	1	Grommet
8	2-00-03063	2	Screw, #10 - 24 x .750 TH
9	2-00-00426	2	Flat Washer, .500 x .218 x .062
10	2-00-00519	2	Lock Washer, Helical Spring #10 Med
11	2-00-00605	2	Nut, Hex MS #10 - 24 x .375 x .125
12		0	Flashing Light (Red) Not Used On This Model
12		0	Flashing Light (Amber) Not Used On This Model
13	8-40-05021	1	Strobe Light (Red)
13	8-40-05038	1	Strobe Light (Amber)
14		0	360° Rotating Light (Red) Not Used On This Model
14		0	360° Rotating Light (Amber) Not Used On This Model
15		0	Screw, 1/4 - 20 x 1.250 HHM Not Used On This Model
16		0	Flat Washer, .625 x .281 x .062 Not Used On This Model
17		0	Lock Washer, Helical Spring 1/4 Med Not Used On This Model
18		0	Nut, Hex 1/4 - 20 x .437 x .218 Not Used On This Model
	7-13-07096	10	Adjustable Clamp Not shown



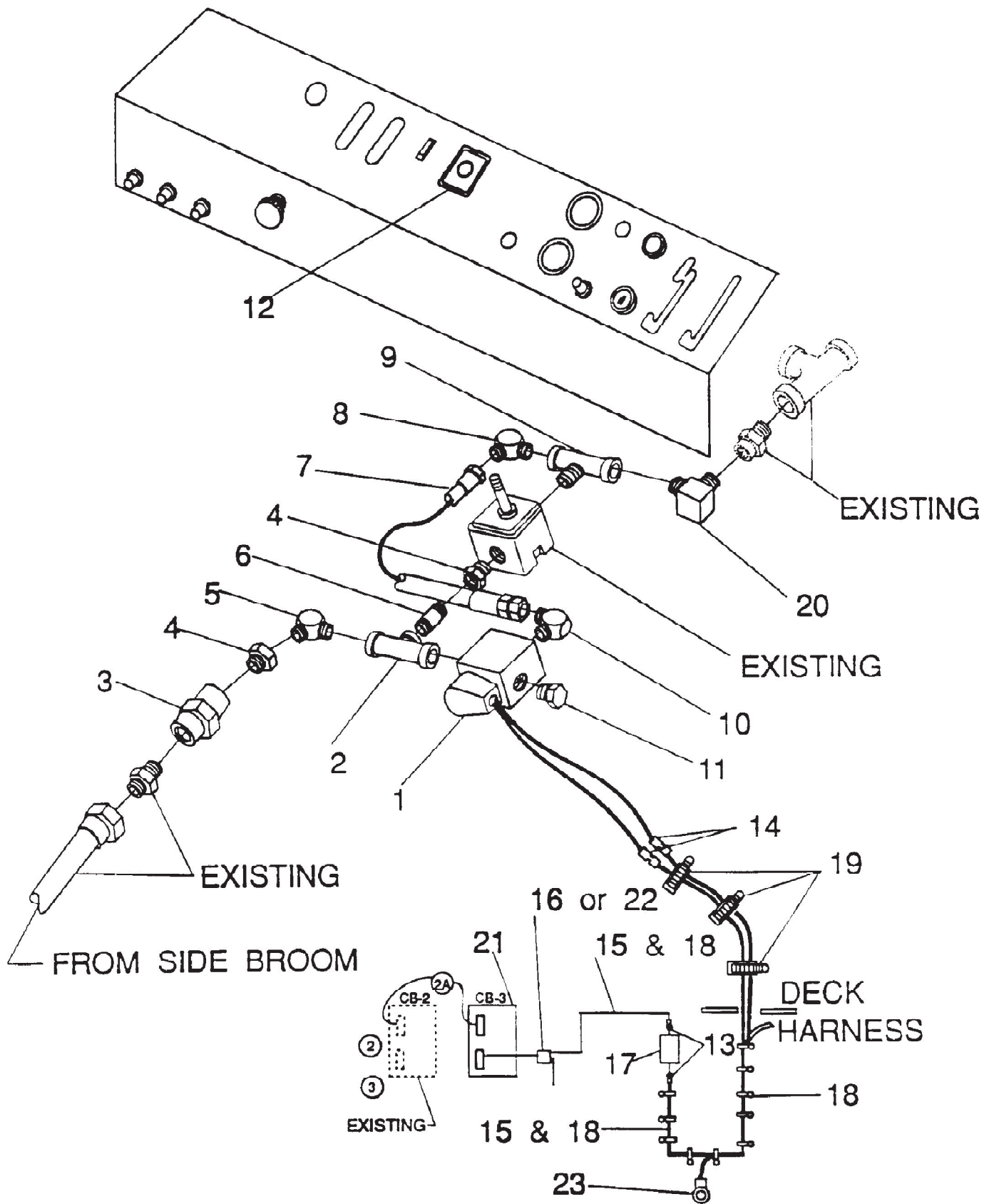
Referenznummer	Artikelnummer	Menge	Description
	0880-425		Red Flashing Warning Light Assembly
	0880-425-1		Amber Flashing Warning Light Assembly
1	8-64-00008	1	Circuit Breaker, 15 Amp
2	2-00-03418	1	Terminal
3	3-61-00193	1	Wire, 16 AWG (Red) 10ft
4	2-00-01128	2	Terminal
5	3-61-00189	1	Wire, 16 AWG (Black) 10ft
6	2-00-04282	1	Terminal
7	2-00-00491	1	Grommet
8		0	Screw, #10 - 24 x .750 TH Not Used On This Model
9		0	Flat Washer, .500 x .218 x .062 Not Used On This Model
10		0	Lock Washer, Helical Spring #10 Med Not Used On This Model
11		0	Nut, Hex MS #10 - 24 x .375 x .125 Not Used On This Model
12	8-40-05033	1	Flashing Light (Red)
12	8-40-05041	1	Flashing Light (Amber)
13		0	Strobe Light (Red) Not Used On This Model
13		0	Strobe Light (Amber) Not Used On This Model
14		0	360° Rotating Light (Red) Not Used On This Model
14		0	360° Rotating Light (Amber) Not Used On This Model
15	2-00-04281	1	Terminal
16	2-00-00518	2	Lock Washer, Helical Spring 1/4 Med
17		0	Terminal Not Used On This Model
18	7-13-07096	10	Adjustable Clamp
19	2-00-03702	2	Flat Washer, .625 x .281 x .062
20	2-00-00594	2	Nut, Hex 1/4 - 20 x .437 x .218
21	2-00-00222	2	Screw, 1/4 - 20 x 1.250 HHM



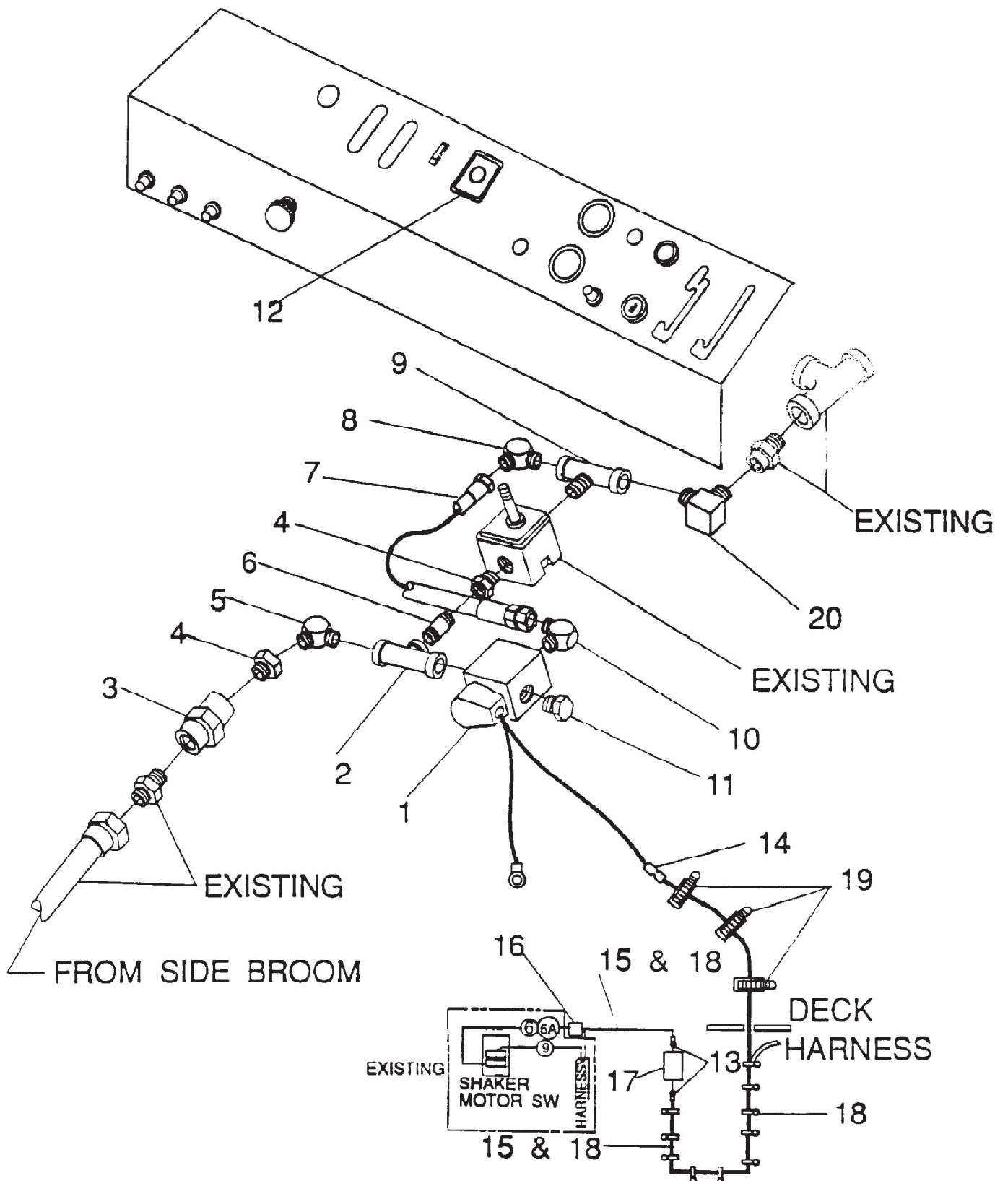
Referenznummer	Artikelnummer	Menge	Description
	0880-427		Red 360ø Rotating Warning Light Assembly
	0880-467-1		Amber 360ø Rotating Warning Light Assembly
1	8-64-00008	1	Circuit Breaker, 15 Amp
2	2-00-03418	1	Terminal
3	3-61-00193	1	Wire, 16 AWG (Red) 10ft
4	2-00-01128	2	Terminal
5	3-61-00189	1	Wire, 16 AWG (Black) 5ft
6	2-00-04282	1	Terminal
7	2-00-00491	1	Grommet
8		0	Screw, #10 - 24 x .750 TH Not Used On This Model
9		0	Flat Washer, .500 x .218 x .062 Not Used On This Model
10		0	Lock Washer, Helical Spring #10 Med Not Used On This Model
11		0	Nut, Hex MS #10 - 24 x .375 x .125 Not Used On This Model
12		0	Flashing Light (Red) Not Used On This Model
12		0	Flashing Light (Amber) Not Used On This Model
13		0	Strobe Light (Red) Not Used On This Model
13		0	Strobe Light (Amber) Not Used On This Model
14	8-40-05010	1	360ø Rotating Light (Red)
14	8-40-05039	1	360ø Rotating Light (Amber)
15		0	Terminal Not Used On This Model
16	2-00-00518	2	Lock Washer, Helical Spring 1/4 Med
17	2-00-00828	1	Terminal
18	7-13-07096	10	Adjustable Clamp
19		0	Flat Washer, .625 x .281 x .062 Not Used On This Model
20		0	Nut, Hex 1/4 - 20 x .437 x .218 Not Used On This Model
21		0	Screw, 1/4 - 20 x 1.250 HHM Not Used On This Model



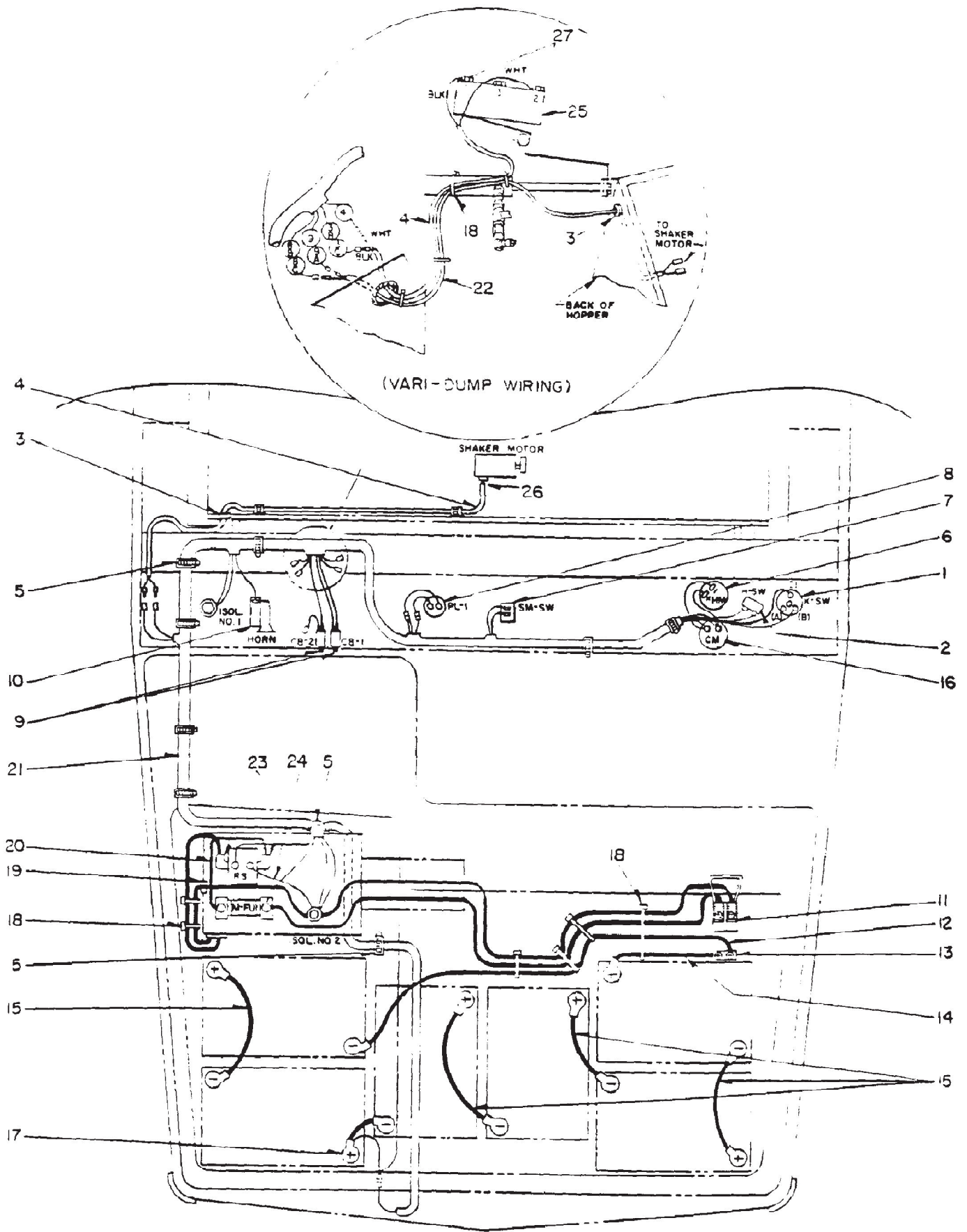
Referenznummer	Artikelnummer	Menge	Description
	0880-426		Red Strobe Warning Light Assembly
	0880-426-1		Amber Strobe Warning Light Assembly
1	8-64-00008	1	Circuit Breaker, 15 Amp
2	2-00-03418	1	Terminal
3	3-61-00193	1	Wire, 16 AWG (Red) 10ft
4	2-00-01128	2	Terminal
5	3-61-00189	1	Wire, 16 AWG (Black) 5ft
6	2-00-04282	1	Terminal
7	2-00-00491	1	Grommet
8	2-00-03063	2	Screw, #10 - 24 x .750 TH
9	2-00-00426	2	Flat Washer, .500 x .218 x .062
10	2-00-00519	2	Lock Washer, Helical Spring #10 Med
11	2-00-00605	2	Nut, Hex MS #10 - 24 x .375 x .125
12		0	Flashing Light (Red) Not Used On This Model
12		0	Flashing Light (Amber) Not Used On This Model
13	8-40-05020	1	Strobe Light (Red)
13	8-40-05036	1	Strobe Light (Amber)
14		0	360° Rotating Light (Red) Not Used On This Model
14		0	360° Rotating Light (Amber) Not Used On This Model
15		0	Terminal Not Used On This Model
16		0	Lock Washer, Helical Spring 1/4 Med Not Used On This Model
17		0	Terminal Not Used On This Model
18	7-13-07096	10	Adjustable Clamp
19		0	Flat Washer, .625 x .281 x .062 Not Used On This Model
20		0	Nut, Hex 1/4 - 20 x .437 x .218 Not Used On This Model
21		0	Screw, 1/4 - 20 x 1.250 HHM Not Used On This Model



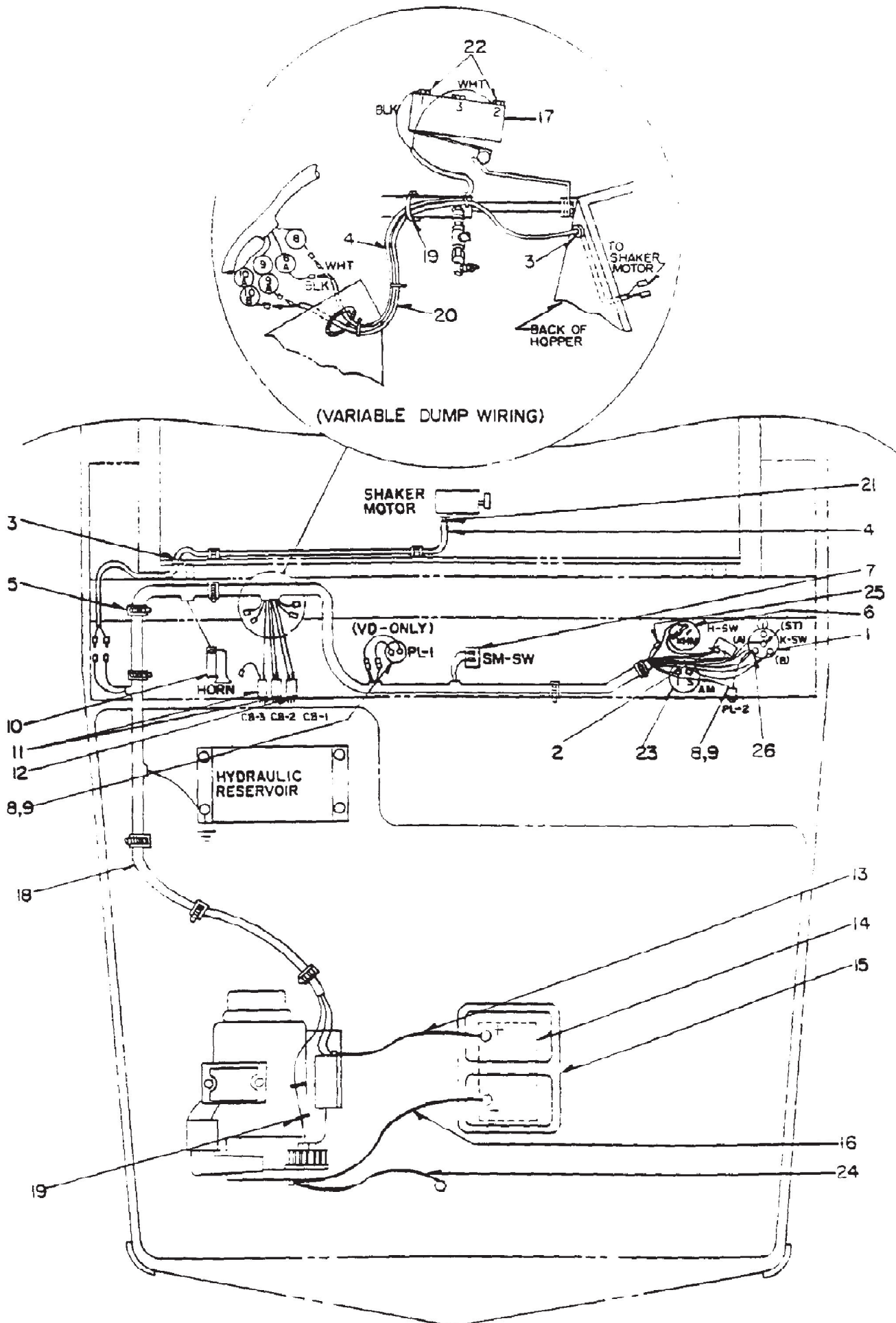
Referenznummer	Artikelnummer	Menge	Description
1	8-88-00051	1	36 V Solenoid Valve
2	2-00-04462	1	Street Tee, 3/8 NPT
3	2-00-04725	1	Pipe Connector, 1/2
4	2-00-04574	2	Reducer, Pipe Thread 1/2-14 to 3/8-18 x 1.09 M-F
5	2-00-04639	1	90° Elbow, 3/8 Male
6	8-56-05011	1	Pipe Nipple, 3/8 NPT x 3.000
7	7-33-02108	1	Hose, Hyd. JIC F Swivel 3/4-16 -.50 ID x 17.50 L
8	2-00-04216	1	90° Elbow, JIC Male 1/2-14 / 3/4-16
9	2-00-04497	1	Tee, Male Branch 1/2-14 M-F
10	2-00-04547	1	90° Elbow, JIC Male 3/8-18 / 3/4-16
11	2-00-04575	1	Pipe Plug, 3/8 NPT Hex Hd
12	8-18-00198	1	Decal, Wet Sweep Bypass
13	2-00-00842	2	Ring Terminal, #8
14	2-00-01128	2	Butt Splice,
15	3-61-00249	1	Wire, 16 AWG (Green) 15ft
16	2-00-04479	1	3 Way Connector
17	2-00-03974	1	Toggle Switch,
18	2-00-04345	10	Wire Ties
19	7-13-07096	3	Stick-on Wire Ties
20	2-00-04577	1	90° Pipe Elbow, Male, 1/2-14
21	8-64-00008	1	Circuit Breaker
22	2-00-03418	1	Terminal, .25 Female
23	2-00-04282	1	Terminal, 5/16 Stud



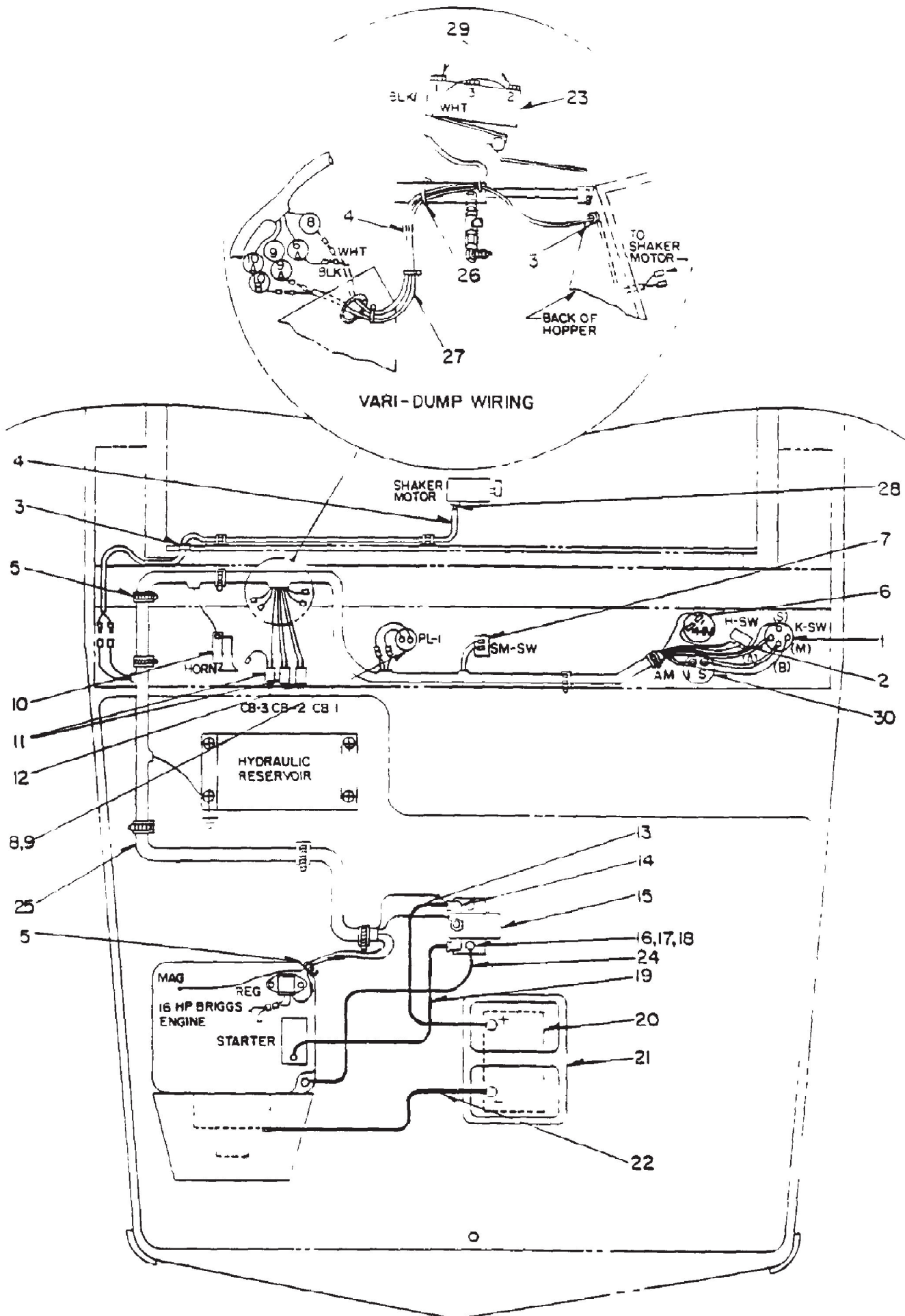
Referenznummer	Artikelnummer	Menge	Description
1	8-88-00026-1	1	12 V Solenoid Valve
2	2-00-04462	1	Street Tee, 3/8 NPT
3	2-00-04725	1	Pipe Connector, 1/2
4	2-00-04574	2	Reducer, Pipe Thread 1/2-14 to 3/8-18 x 1.09 M-F
5	2-00-04639	1	90° Elbow, 3/8 Male
6	8-56-05011	1	Pipe Nipple, 3/8 NPT x 3.000
7	7-33-02108	1	Hose, Hyd. JIC F Swivel 3/4-16 - .50 ID x 17.50 L
8	2-00-04216	1	90° Elbow, JIC Male 1/2-14 / 3/4-16
9	2-00-04497	1	Tee, Male Branch 1/2-14 M-F
10	2-00-04547	1	90° Elbow, JIC Male 3/8-18 / 3/4-16
11	2-00-04575	1	Pipe Plug, 3/8 NPT Hex Hd
12	8-18-00198	1	Decal, Wet Sweep Bypass
13	2-00-00842	2	Ring Terminal, #8
14	2-00-01128	1	Butt Splice
15	3-61-00249	1	Wire, 16 AWG (Green) 10ft
16	2-00-04479	1	3 Way Connector
17	2-00-03974	1	Toggle Switch
18	2-00-04345	1	Wire Ties 10ft
19	7-13-07096	3	Stick-on Wire Ties
20	2-00-04577	1	90° Pipe Elbow, Male, 1/2-14



Referenznummer	Artikelnummer	Menge	Description
1	8-82-00042	Ref	Key Switch (K-SW)
2	8-82-00028	Ref	Horn Switch (H-SW)
3	2-00-01657	Ref	Rubber Grommet .44 x .56
4	8-90-07381	1	Wire Assembly, LD Shaker Motor VD to Limit Switch
5	7-13-07096	10	Adjustable Clamp
6	8-48-05009	Ref	Hour Meter (HM)
7	8-82-00045	Ref	Shaker Motor Switch (SM-SW)
8	7-40-05018	Ref	Pilot Light (PL-1) (Variable Dump Only)
9	8-64-00008	Ref	Circuit Breaker, (CB-1 & CB-2)
10	8-32-09013	Ref	Horn
11	0875-070	Ref	Connector Assembly
12	8-90-07306	Ref	Wire 36 V (-) to Anderson Connector
13	2-00-04753	Ref	Anderson Connector
14	8-90-07307	Ref	Wire 36 V (+) to Anderson Connector
15	8-90-07305	4	Battery Connector Wire
16	7-48-05024	Ref	Condition Meter (CM)
17	8-90-07309	1	Wire, Battery Connector - 12V Tap
18	2-00-04345	6	Nylon Wire Ty-Wrap
19	8-21-04030	Ref	Edging
20	8-90-07308	1	Wire Run Solenoid to 100 Amp Fuse
21	0895-093	1	Battery Harness
22	8-90-07382	1	Wire Assembly, Shaker Motor (Variable Dump Only)
23	2-00-04203	2	Boot
24	8-90-07304	1	Wire Run Solenoid to Isol. #2
25	7-82-00009	Ref	Limit Switch (LS-D) (Variable Dump Only)
26	2-00-04440	2	Terminal (Low Dump Only)
27	2-00-04742	2	Terminal (Variable Dump Only)
	0875-074	1	Connector Adapter (Charger to Batt.) Not shown



Referenznummer	Artikelnummer	Menge	Description
1	8-82-00041	Ref	Key Switch (K-SW)
2	8-82-00028	Ref	Horn Switch (H-SW)
3	2-00-01657	Ref	Rubber Grommet .44 x.56
4	8-90-07381	1	Wire Assembly, LD Shaker Motor VD to Limit Switch
5	7-13-07096	13	Adjustable Clamp
6	8-48-05009	Ref	Hour Meter (HM)
7	8-82-00045	Ref	Shaker Motor Switch (SM-SW)
8	7-40-05018	Ref	Pilot Light (PL-1)
9	7-40-05029	Ref	Bulb, 12V
10	8-32-09013	Ref	Horn
11	8-64-00008	Ref	Circuit Breaker, (CS-2 & CB-3)
12	8-64-00006	Ref	Circuit Breaker, (CB-1)
13	8-90-07297	1	Wire 12 V Sol. to (+) Battery
14	0875-008	1	Battery
15	8-07-06019	1	Battery Box
16	8-90-07296	1	Wire Engine Ground to (-) Battery
17	7-82-00009	Ref	Limit Switch (Variable Dump Only)
18	0895-101	1	Gas Wiring Harness
19	2-00-04345	5	Nylon Ty-Wrap
20	8-90-07382	1	Wire Assembly, Shaker Motor
21	2-00-04440	2	Terminal (Low Dump Only)
22	2-00-04742	2	Terminal (Variable Dump Only)
23	8-48-05003	Ref	Ammeter
24	8-90-07299	1	Wire Engine ground to frame ground
25	2-00-04479	1	Connector (3 way)
26	2-00-04719	1	Terminal, #10 Spring Spade



Referenznummer	Artikelnummer	Menge	Description
1	8-82-00043	Ref	Key Switch (K-SW)
2	8-82-00028	Ref	Horn Switch (H-SW)
3	2-00-01657	Ref	Rubber Grommet .44 x.56
4	8-90-07381	1	Wire Assembly LD Shaker Motor, VD to Limit Switch
5	7-13-07096	13	Adjustable Clamp
6	8-48-05009	Ref	Hour Meter (HM)
7	8-82-00045	Ref	Shaker Motor Switch (SM-SW)
8	7-40-05018	Ref	Pilot Light (PL-1) (Variable Dump Only)
9	7-40-05029	Ret	Bulb, 12V (Variable Dump Only)
10	8-32-09013	Ref	Horn
11	8-64-00008	Ref	Circuit Breaker, (CB-2 & CB-3)
12	8-64-00006	Ref	Circuit Breaker, (CB-1)
13	8-90-07297	1	Wire, 12 V Sol. to (+) Battery
14	2-00-04203	2	Boot
15	8-74-00007	1	Start Solenoid
16	2-00-00221	2	Screw, 1/4 - 20 x .750 HHC
17	2-00-03702	2	Flat Washer, .625 x .281 x .062
18	2-00-00518	2	Lock Washer, Helical Spring 1/4 Med
19	8-90-07298	1	Wire Engine Starter to Solenoid
20	0875-008	1	Battery
21	8-07-06019	1	Battery Box
22	8-90-07296	1	Wire Engine Ground to (-) Battery
23	7-82-00009	Ref	Limit Switch (Variable Dump Only)
24	8-90-07299	1	Wire Engine Ground to Frame Ground
25	0895-101	1	Gas Wiring Harness
26	2-00-04345	3	Nylon Ty-Wrap (Variable Dump Only)
27	8-90-07382	1	Wire Assembly, Shaker Motor (Variable Dump Only)
28	2-00-04440	2	Terminal (Low Dump Only)
29	2-00-04742	2	Terminal (Variable Dump Only)
30	848-05003	Ref	Ammeter