

3366 from Serial No. 586001

Model:
3366 from Serial No.
586001



Part List US-English

17-11-2012

Nilfisk
ALTO
works for you

www.nilfisk-alto.com

Ersatzteile auf www.gluesing.net

Table of Contents

3366 from Serial No. 586001

| | |
|---|-----------|
| Driver Compartment | 3 |
| Frame, Broom Door and Flaps | 5 |
| Control Panel and Horn | 7 |
| Hopper Lid and Filter System | 9 |
| Hopper system (variable dump) | 12 |
| Hopper System (low dump) | 15 |
| Steering Gear and Rear Drive System | 17 |
| Forward/Reverse Control | 20 |
| Brake and Front Wheel assembly | 23 |
| Brake Control Linkage | 25 |
| Main Broom Lift Mechanism | 27 |
| Main Broom | 29 |
| Side Broom | 31 |
| Auxiliary Pump and Fittings | 33 |
| Main Pump and Fittings | 35 |
| Impeller and Fittings | 37 |
| Control Valve and Fittings (variable dump) | 39 |
| Control Valve and Fittings (low dump) | 41 |
| Rear Drive Motor and Fittings | 43 |
| Main Broom Motor and Fittings | 45 |
| Side Broom Motor and Fittings | 47 |
| Lift, Rotation and Dump Cylinders w/Fittings (vari | 49 |
| Dump Cylinders w/Fittings (low dump) | 51 |
| Lift Cylinder Lock-out Valve and Fittings | 53 |
| Auxiliary Manifold and Fittings | 55 |
| Return Manifold assembly (variable dump) | 57 |
| Return Manifold assembly (low dump) | 59 |
| Hydraulic Oil Cooler | 61 |
| Hydraulic Reservoir and Fittings | 63 |
| Engine Cover | 65 |
| Ford VSG 413 Engine | 67 |
| Throttle and Choke Linkage (Ford VSG 413) | 69 |
| Intake System (Ford VSG 413) | 71 |
| Ford LRG 425 Engine | 73 |
| Throttle and Choke Linkage (Ford VSG 425) | 75 |
| Intake System (Ford VSG 425) | 77 |
| Perkins 104.19 Diesel Engine | 79 |
| Air Intake System (diesel) | 82 |
| Fuel and Water Extractor | 84 |

Table of Contents

3366 from Serial No. 586001

| | |
|--|------------|
| Exhaust System | 86 |
| Radiator and Shroud | 88 |
| Fuel Tank and Line | 90 |
| Instrument Panel | 92 |
| Hydraulic Hose System (variable dump) | 95 |
| Hydraulic Hose System (low dump) | 97 |
| Ford VSG 413 Wiring | 99 |
| Ford VSG 425 Wiring | 101 |
| Perkins 104.19 Wiring | 103 |
| Decals | 105 |
| Safety Air Cleaner | 107 |
| Broom Options | 109 |
| Back-up Alarm | 111 |
| Blower attachment | 113 |
| Cab | 115 |
| CDC Compressor and Air Intake | 117 |
| CDC Air Filter | 119 |
| Circuit Breakers for Cab | 121 |
| Defroster Fan | 123 |
| Dome Light | 125 |
| Ford 413 VSG Engine Shutdown | 127 |
| Ford LRG 425 Engine Shutdown | 129 |
| Perkins 104.19 Engine Shutdown | 131 |
| Fire Extinguisher | 133 |
| Flame Arresting Gas Cap | 135 |
| Hot Water Heater (Cap) Ford VSG 413 | 137 |
| Hot Water Heater (Cap) Ford LRG 425 | 139 |
| Hot Water Heater (Cap) Perkins Diesel | 141 |
| Lights Option | 143 |
| Turn Signal and Brake Light Options | 145 |
| Side Broom Light | 147 |
| Warning Light Option | 149 |
| Warning Light Option w/Overhead Guard | 151 |
| Warning Light Option w/Cap | 153 |
| Overhead Guard | 155 |
| Work Light Option | 157 |
| Ford 413 LP Engine (IMCO) | 159 |
| LP Tank System | 161 |
| Oxy-Catalytic Muffler | 163 |

Table of Contents

3366 from Serial No. 586001

| | |
|--|------------|
| Pressurizer (Cap) | 165 |
| Suspension Seat Option | 167 |
| Timed Shaker Motors | 169 |
| Left Side Broom Option | 171 |
| Vacuum Side Brooms Option | 174 |
| Tire Options | 176 |
| Windshield Wipers (Cap) | 178 |
| Vacuum Wand Option | 180 |
| Wet Sweep Bypass Option | 182 |
| Filter Warning System Option | 184 |
| Ford 413 Exhaust System | 186 |
| Ford 425 LP System (OHG Carburetor) | 188 |
| Ford 413 LP System | 190 |
| Pulse - Air3 | 192 |
| Pulse - Air3 - Electrical Schematic | 194 |
| Pulse - Air3 | 196 |

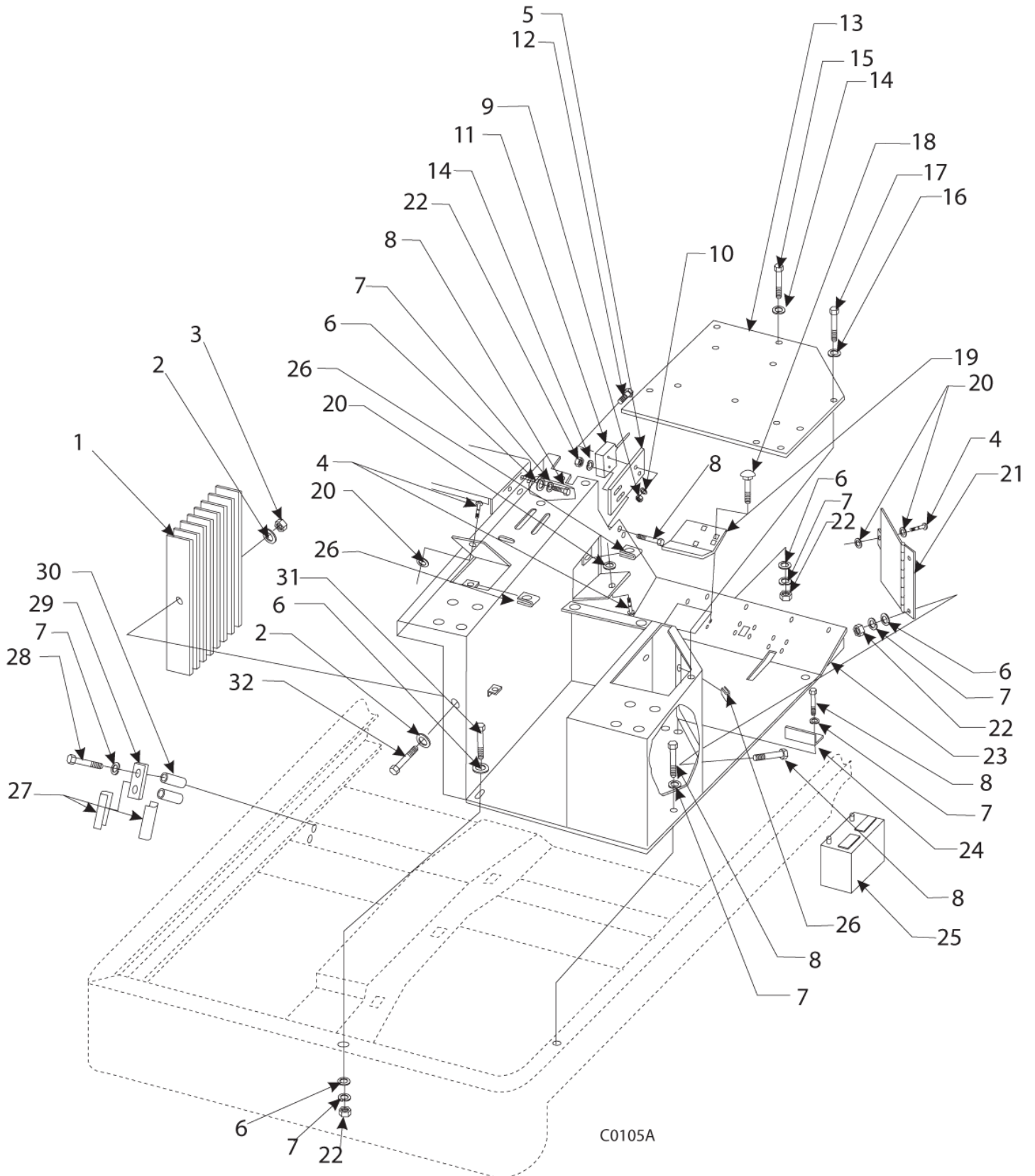
Driver Compartment

3366 from Serial No. 586001

17-11-2012

Part List ID
3366S586001003

3



Driver Compartment

3366 from Serial No. 586001

17-11-2012

Part List ID
3366S86001003

4

| Pos | Part no. | Qty | Description |
|-----|------------|-----|--------------------------------|
| 1 | 8-89-04014 | 9 | WEIGHT 13.9 LBS |
| 2 | 2-00-00427 | 2 | WSHR FLAT .875X516X.063 STL. |
| 3 | 2-00-04936 | 1 | NUT INS FIBRE .50 13 ZINC |
| 4 | 7-23-03113 | 3 | FASTENER QTR. TURN BJR5 50 |
| 5 | 8-08-00816 | 1 | BRACKET HOPPER SWITCH |
| 6 | 2-00-00407 | 1 | WSHR FLAT .563X.266X.063 STL. |
| 7 | 2-00-00518 | 3 | LK WASH 1/4 MED. SECTION ZN |
| 8 | 2-00-00221 | 9 | SCW HHC .25 20 X .75 GR 8 ZN |
| 9 | 2-00-00602 | 2 | NUT HEX MACH SCR 8 32 ZN |
| 10 | 2-00-00529 | 2 | LK WASH HELICAL SPR STL ZN |
| 11 | 8-82-00058 | 1 | SWITCH |
| 12 | 2-00-03061 | 2 | SCW PH.TR.HM 10 24 X .50 ZN |
| 13 | 8-52-00140 | 1 | PANEL SEAT DECK |
| 14 | 2-00-00518 | 4 | LK WASH 1/4 MED. SECTION ZN |
| 15 | 2-00-00183 | 4 | SCW PH THM.25 20 X .75 ZN PL |
| 16 | 2-00-02312 | 1 | LK WASHER 1/2 ID MED SEC ZN |
| 17 | 2-00-00239 | 1 | SCW HHC .50 13 X 1.00 GR5 ZN |
| 18 | 2-00-03575 | 4 | BOLT CARR..25 20 X .75 GR5 ZN |
| 20 | 7-23-03106 | 3 | WASHER GP5B |
| 21 | 8-19-08042 | 1 | WELDMENT BATTERY DOOR |
| 22 | 2-00-00594 | 9 | NUT HEX STD FIN .25 20 ZN |
| 23 | 8-33-05112 | 1 | WELDMT 1PC DRIVE COMP3366 |
| 24 | 8-08-00588 | 1 | BRACKET BATTERY HOLD DOWN |
| 25 | 0875-008 | 1 | BAT SAE 2 SHA 12V OR EQUIV |
| 25 | 0875-057 | 1 | BATTERY MAINTENANCE FREE |
| 26 | 7-23-03108 | 3 | CLIP U TYPE |
| 27 | 8-08-07045 | 4 | BUMPER EDGING |
| 28 | 2-00-00203 | 4 | SCREW HHC.25 20 X 1.50 GR 5 ZN |
| 29 | 8-65-00024 | 2 | RETAINER HOSE |
| 30 | 8-75-01116 | 4 | SPACER |
| 32 | 2-00-04914 | 1 | SCREW HHC .50 13 X 4.50 GR5 ZN |

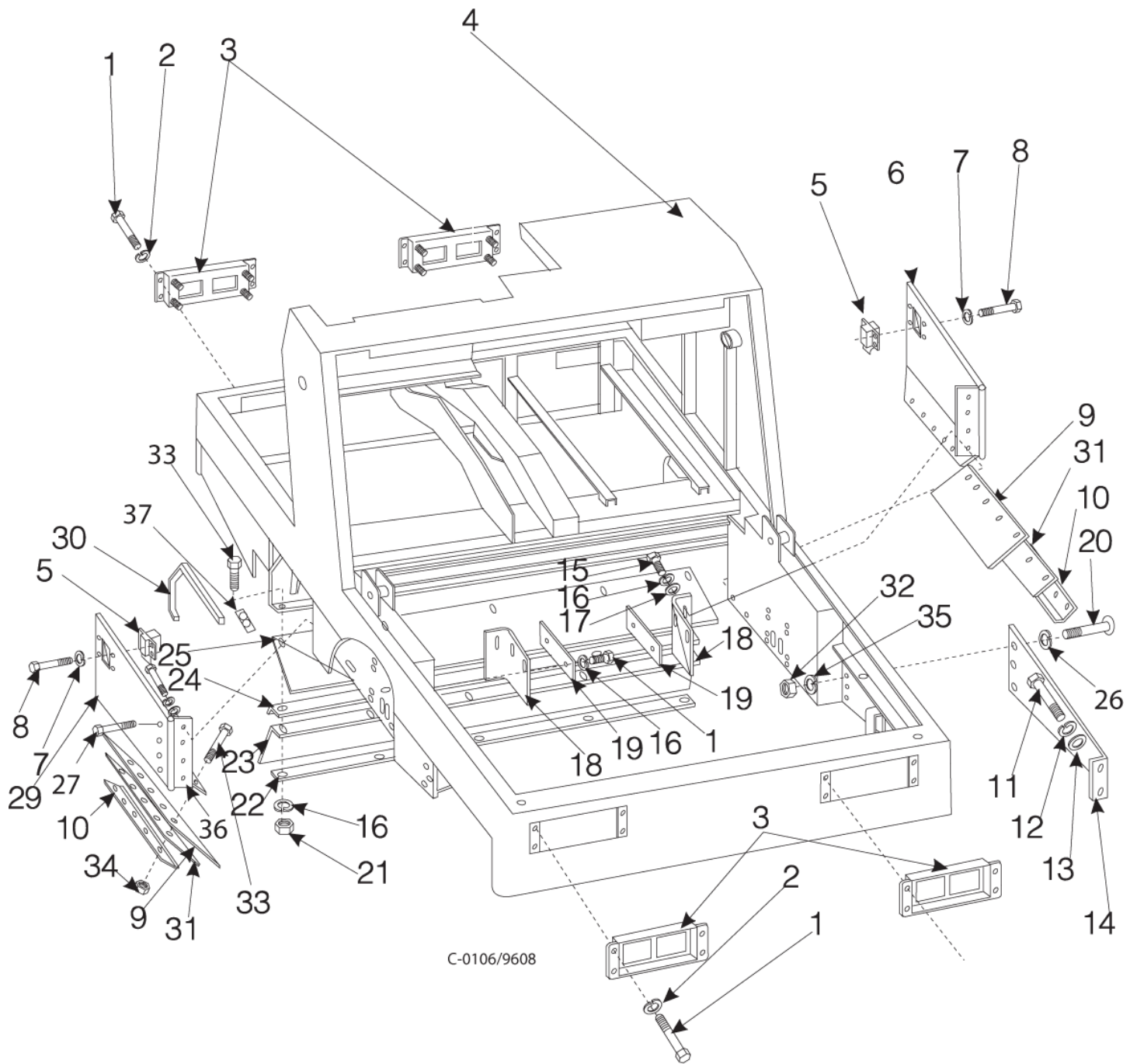
Frame, Broom Door and Flaps

3366 from Serial No. 586001

17-11-2012

Part List ID
3366S586001005

5



Frame, Broom Door and Flaps

3366 from Serial No. 586001

17-11-2012

Part List ID
3366S86001005

6

| Pos | Part no. | Qty | Description |
|-----|------------|-----|--------------------------------|
| 1 | 2-00-04877 | 6 | SHCS 1/4 20X1 SS LOK STRIP |
| 2 | 2-00-00501 | 16 | LK WASH INT TOOTH ZN |
| 3 | 8-08-00614 | 4 | LIGHT BRACKET WITH KNOCKOUTS |
| 4 | 8-27-07118 | 1 | FRAME WELDMENT 3366 |
| 5 | 0780-739 | 2 | SERVICE KIT BROOM DOOR LATCH |
| 6 | 8-19-08073 | 1 | BROOM DOOR LH |
| 7 | 2-00-00529 | 8 | LK WASH HELICAL SPR STL ZN |
| 8 | 2-00-01081 | 8 | SCW T/C PHRH 8 32 X .50 ZN |
| 9 | 8-25-08185 | 2 | FLAP BROOM DOOR OUTER |
| 10 | 8-13-07105 | 2 | CLAMP BROOM DOOR FLAPOUTER |
| 11 | 2-00-00233 | 2 | SCREW HHC .375 16 X 1.00 GR ZN |
| 12 | 2-00-02310 | 2 | LK WASH HELICAL SPR ZN |
| 13 | 2-00-00402 | 2 | WSHR FL..750X391X.093 STL ZN |
| 14 | 8-52-00156 | 1 | PANEL L H SIDE BROOM 3366 |
| 15 | 2-00-00205 | 16 | BOLT HEX TAP .25 20X1.0 GR 5 |
| 16 | 2-00-00518 | 17 | LK WASH 1/4 MED. SECTION ZN |
| 17 | 2-00-01676 | 18 | WSHR FLAT 1.063X.266X.063 STL. |
| 18 | 8-25-08174 | 2 | FLAP WHEEL WELL .13 TK |
| 19 | 8-13-07098 | 2 | CLAMP WHEEL WELL FLAP |
| 20 | 2-00-00240 | 3 | SCW HHC .50 13 X 1.25 GR 5 ZN |
| 21 | 2-00-00594 | 5 | NUT HEX STD FIN .25 20 ZN |
| 22 | 8-13-07097 | 1 | CLAMP BRM CHMBR REAR FLAP |
| 23 | 8-25-08173 | 1 | FLAP BRM CHMBR REAR .06 TK |
| 24 | 8-13-07100 | 1 | CLAMP BRM CHMBR FRONT FLAP |
| 25 | 8-25-08172 | 1 | FLAP BRM CHMBR FRONT .13 TK |
| 26 | 2-00-04159 | 3 | WSHR FL 1.375X.563X.109 STL.ZN |
| 27 | 2-00-00078 | 8 | SCREW PH.RHM .25 20 X .63 |
| 28 | 2-00-03702 | 18 | WSHR FL..625X.281X.063 STL.ZN |
| 29 | 8-19-08072 | 1 | BROOM DOOR RH |
| 30 | 8-68-05073 | 2 | SEAL MAIN BROOM CHAMBER |
| 31 | 8-25-08184 | 2 | FLAP BROOM DOOR INNER |
| 32 | 2-00-00596 | 3 | NUT FULL HEX FIN .50 13 ZN |
| 33 | 2-00-02196 | 9 | BOLT CARR .25 20 X 1.00 G5 ZN |
| 34 | 2-00-00641 | 36 | NUT INS FIBRE .25 20 ZN PL |
| 35 | 2-00-02312 | 3 | LK WASHER 1/2 ID MED SEC ZN |
| 36 | 8-32-00043 | 2 | HINGE BROOM DOOR PLATED |
| 37 | 8-41-00047 | 2 | LATCH TAB |

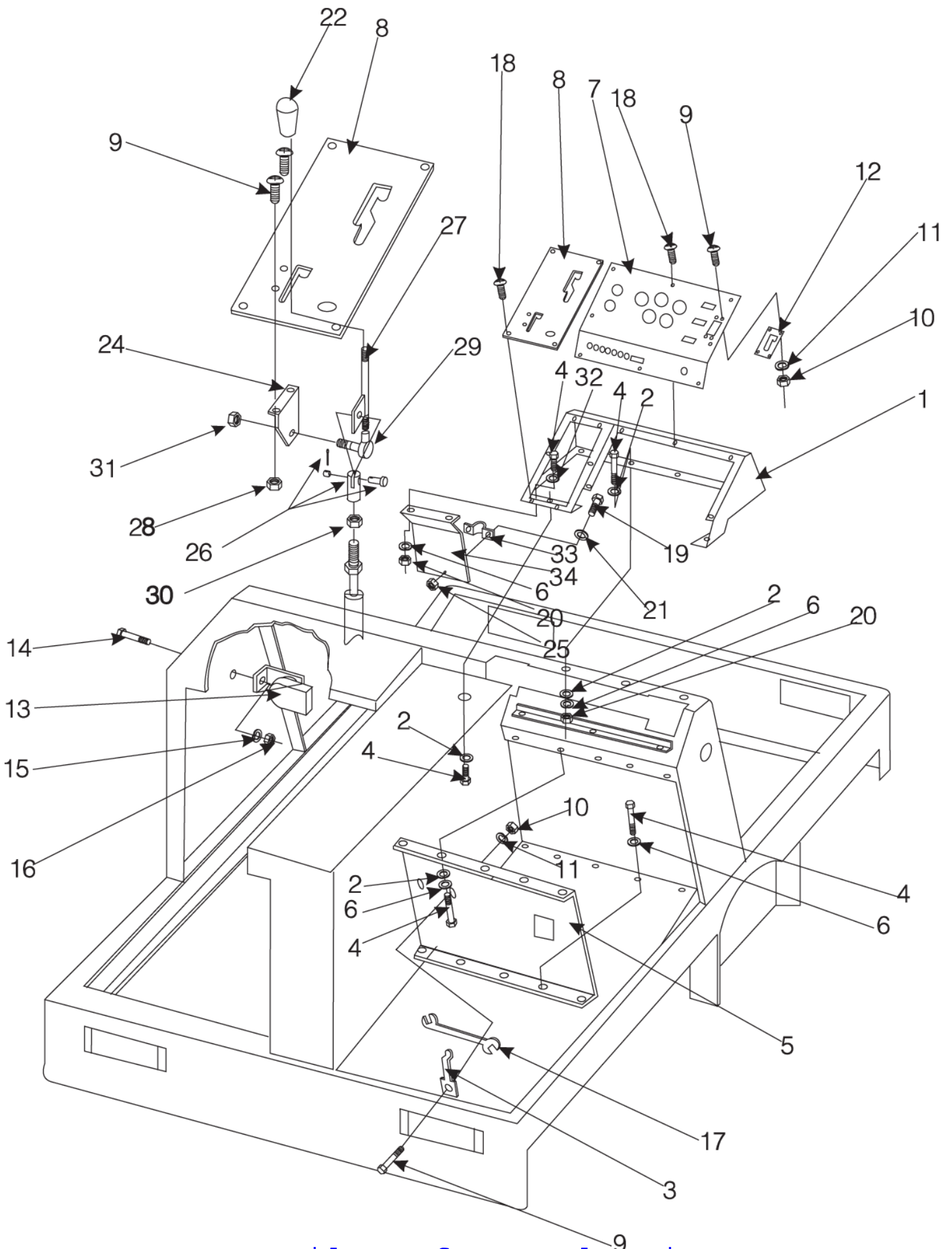
Control Panel and Horn

3366 from Serial No. 586001

17-11-2012

Part List ID
3366S586001007

7



Control Panel and Horn

3366 from Serial No. 586001

17-11-2012

Part List ID
3366Sb86001007

8

| Pos | Part no. | Qty | Description |
|-----|------------|-----|--------------------------------|
| 1 | 8-33-05111 | 1 | WELDMENT INSTRUMENT HOUSING |
| 2 | 2-00-00407 | 12 | WSHR FLAT .563X.266X.063 STL. |
| 4 | 2-00-00221 | 19 | SCW HHC .25 20 X .75 GR 8 ZN |
| 5 | 8-52-00157 | 1 | WELDMENT KICK PANEL |
| 6 | 2-00-00518 | 17 | LK WASH 1/4 MED. SECTION ZN |
| 7 | 8-58-05224 | 1 | FACE PLATE INSTRUMENT COMPT |
| 8 | 56516827 | 1 | FACE PLATE MB CONTROL THROTTLE |
| 9 | 2-00-03061 | 3 | SCW PH.TR.HM 10 24 X .50 ZN |
| 10 | 2-00-00605 | 9 | NUT HEX MAC SCR 10 24 STL/ZN |
| 11 | 2-00-00519 | 9 | LK WASH 10 MED SEC ZN |
| 12 | 56516829 | 1 | BACKING PLATE BRUSH CONTROL |
| 13 | 8-32-09013 | 1 | HORN 12v DC |
| 14 | 2-00-00208 | 1 | SCW HHC .313 18 X .75 GR5 ZN |
| 15 | 2-00-00530 | 1 | LK WASH 5/16 MED SEC SPL ZN |
| 16 | 2-00-00585 | 1 | NUT HEX FIN .31 18 ZN |
| 17 | 2-00-00686 | 1 | WRENCH VICHEX 7/8 3/4 9/16 |
| 18 | 2-00-03466 | 13 | SCW 10 16X.50 ZN SELF TAPPING |
| 19 | 2-00-04794 | 2 | SCREW 10 24 X.63 GR8 ZN |
| 20 | 2-00-00594 | 8 | NUT HEX STD FIN .25 20 ZN |
| 21 | 2-00-00426 | 3 | WSHR FL .500X.219X.063 STL.ZN |
| 22 | 7-39-00017 | 1 | KNOB CONT SOLUTION |
| 24 | 56516830 | 1 | BRACKET |
| 25 | 2-00-01246 | 4 | 10 24 NYLON INSERT THIN |
| 26 | 7-14-07006 | 1 | CLEVIS THROTTLE CONTROL |
| 27 | 8-41-05074 | 1 | LEVER THROTTLE CONTROL |
| 28 | 2-00-01246 | 4 | 10 24 NYLON INSERT THIN |
| 29 | 7-25-02050 | 1 | BALL JOINT ROD END 1/4 28 |
| 30 | 2-00-00626 | 1 | NUT HEX MAC SCR 10 32 ZN |
| 31 | 2-00-00633 | 1 | NUT INS FIBRE RH .25 28 ZN PL |
| 32 | 2-00-03702 | 2 | WSHR FL..625X.281X.063 STL.ZN |
| 33 | 8-13-07094 | 1 | CONDUIT CLAMP |
| 34 | 8-08-00735 | 1 | BRACKET THROTTLE CABLE |

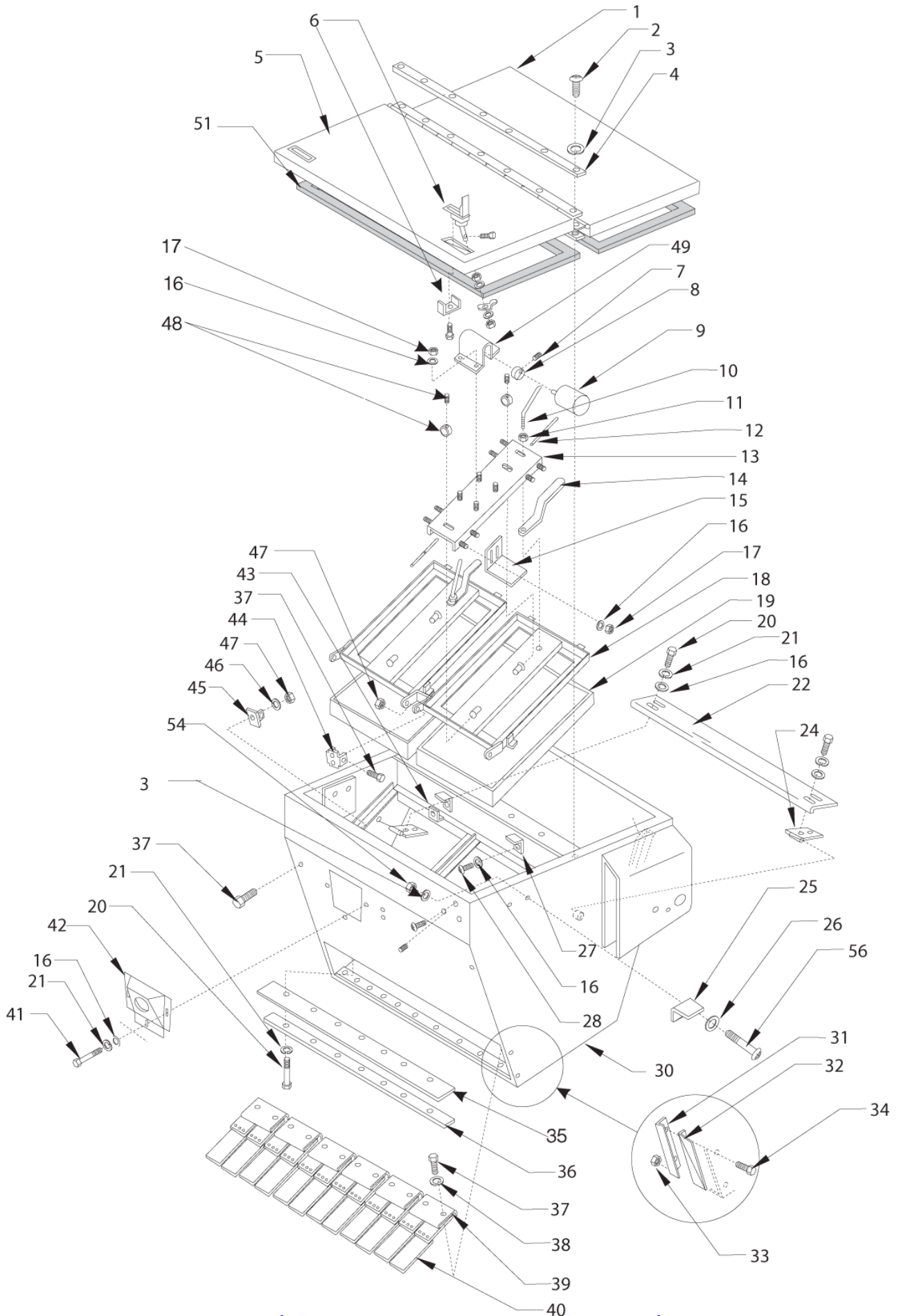
Hopper Lid and Filter System

3366 from Serial No. 586001

17-11-2012

Part List ID
3366S586001009

9



Ersatzteile auf www.gluesing.net

Hopper Lid and Filter System

3366 from Serial No. 586001

17-11-2012

Part List ID
3366S86001009

10

| Pos | Part no. | Qty | Description |
|-----|--------------|-----|-------------------------------|
| 1 | 8-16-07320 | 1 | COVER WELDMENT |
| 2 | 2-00-04667 | 11 | SCKT. BTN. HEAD SCREW BL.OX |
| 3 | 2-00-02310 | 11 | LK WASH HELICAL SPR ZN |
| 4 | 8-75-01187 | 2 | SPACER 3300 HOPPER LID |
| 5 | 8-16-07319 | 1 | COVER WELDMENT UPPER 3300 |
| 6 | 8-41-00044 | 2 | LATCH LOW PROFILE PUSH BUTTON |
| 8 | 56514774 | 2 | WEIGHT |
| 9 | 0860-623 | 2 | SHAKER MOTOR ASSEMBLY |
| 10 | 8-80-05032 | 1 | STUD SHAKER LATCH ARM |
| 11 | 2-00-02371 | 2 | NUT HEX JAM .50 13 ZN |
| 12 | 8-66-00156 | 4 | ROD ROCKER PIVOT |
| 13 | 8-58-05285 | 2 | PLATE ROCKER WELDMENT |
| 14 | 8-41-00042 | 2 | SHAKER FRAME LATCH |
| 15 | 8-50-05056 | 8 | PAD ROCKER PLATE |
| 16 | 2-00-00407 | 29 | WSHR FLAT .563X.266X.063 STL. |
| 17 | 2-00-00641 | 24 | NUT INS FIBRE .25 20 ZN PL |
| 18 | 8-27-07094 | 2 | FRAME FILTER 3366 |
| 19 | 8-24-04123-1 | 2 | FILTER PANEL |
| 19 | 8-24-04123-2 | 1 | FILTER PANEL POLY MEDIA |
| 20 | 2-00-00221 | 11 | SCW HHC .25 20 X .75 GR 8 ZN |
| 21 | 2-00-00518 | 14 | LK WASH 1/4 MED. SECTION ZN |
| 22 | 8-25-08154 | 1 | FLAP AIR FLOW DEFLECTOR |
| 24 | 8-57-05019 | 2 | WLDMT PIVOT |
| 25 | 8-08-00671 | 2 | BRACKET HOPPER STOP |
| 26 | 2-00-00402 | 7 | WSHR FL..750X.391X.093 STL ZN |
| 27 | 8-08-00701 | 2 | BRACKET FRAME LOCK |
| 28 | 2-00-04880 | 4 | SCREW 1/4 20 X 75 BHS GR 8 ZN |
| 30 | 8-32-06096 | 1 | WELDMENT HOPPER 3366 |
| 31 | 8-13-07101 | 2 | CLAMP HOPPER SIDE FLAP |
| 32 | 8-25-08180 | 2 | FLAP HOPPER SIDE |
| 33 | 2-00-01246 | 4 | 10 24 NYLON INSERT THIN |
| 34 | 2-00-04794 | 4 | SCREW 10 24 X.63 GR8 ZN |
| 35 | 8-25-08179 | 1 | FLAP HOPPER UPPER |
| 36 | 8-79-00111 | 1 | STRAP PRIMARY DEFLECTOR FLAP |
| 37 | 2-00-00208 | 20 | SCW HHC .313 18 X .75 GR5 ZN |
| 38 | 2-00-00530 | 12 | LK WASH 5/16 MED SEC SPL ZN |
| 39 | 8-13-07084 | 6 | CLAMP FLAP HOPPER BOTTOM |
| 40 | 56109460 | 1 | FLAP HOPPER |
| 40 | 56109461 | 6 | FLAP HOPPER LID UPPER |
| 40 | 8-25-08178 | 6 | FLAP LOWER HOPPER LIP |
| 41 | 2-00-00220 | 3 | SCW HHC .25 20 X .63 GR 8 ZN |
| 42 | 56516770 | 1 | WELDMENT BLOWER MATING PLATE |
| 43 | 8-08-00692 | 1 | BRACKET FRAME MTG RH |

Hopper Lid and Filter System

3366 from Serial No. 586001

17-11-2012

Part List ID
3366S86001009

11

| Pos | Part no. | Qty | Description |
|-----|------------|-----|--------------------------------|
| 44 | 8-08-00690 | 1 | BRACKET FRAME MTG CENTER |
| 45 | 8-08-00691 | 1 | BRACKET FRAME MTG. LH |
| 46 | 2-00-00409 | 4 | WSHR FLAT.688X.344X.063 STL |
| 47 | 2-00-00644 | 8 | NUT INS FIBRE .31 18 ZN PL |
| 48 | 7-15-01022 | 4 | COLLAR W/SETSCR. .750OD/.380ID |
| 51 | 3-73-00060 | 1 | SEAL BULB W/ADHESIVE 24 |
| 53 | 8-08-00668 | 2 | BRACKET HOPPER LID LATCH |
| 54 | 2-00-02360 | 4 | NUT HEX FIN .38 16 ZINC PL |
| 55 | 8-29-00183 | 1 | GASKET BLOWER |
| 56 | 2-00-00234 | 1 | SCW HHC .375 16 X 1.50 GR5 ZN |

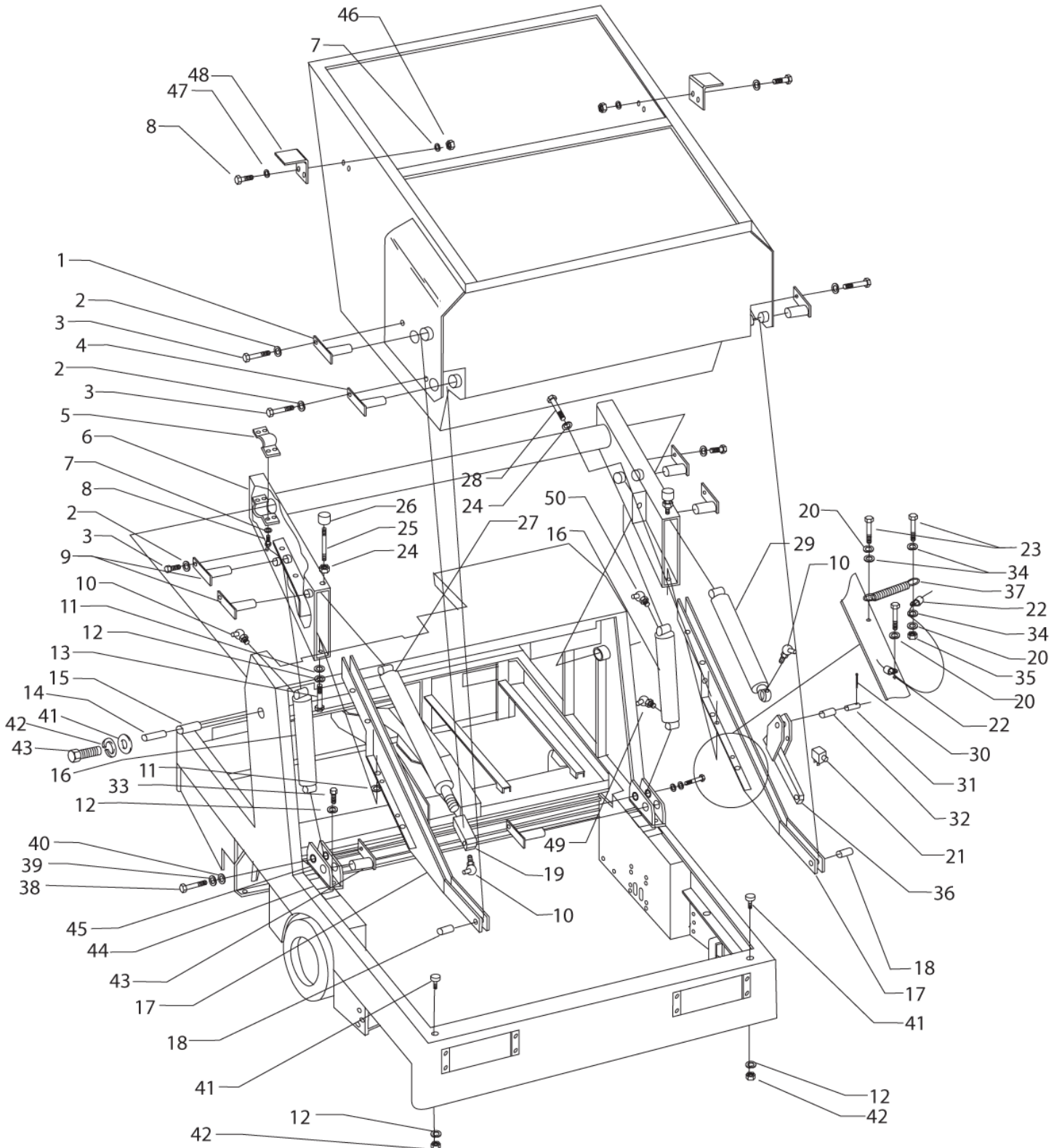
Hopper system (variable dump)

3366 from Serial No. 586001

17-11-2012

Part List ID
3366S586001011

12



Hopper system (variable dump)

3366 from Serial No. 586001

17-11-2012

Part List ID
3366S86001011

13

| Pos | Part no. | Qty | Description |
|-----|--------------|-----|--------------------------------|
| 1 | 8-55-08105 | 1 | WLDMT PIN HOPPER DUMP |
| 2 | 2-00-00518 | 7 | LK WASH 1/4 MED. SECTION ZN |
| 3 | 2-00-00221 | 7 | SCW HHC .25 20 X .75 GR 8 ZN |
| 4 | 8-55-08104 | 2 | WLDMT PIN HOPPER PIVOT |
| 5 | 8-13-07103 | 2 | HALF CLAMP PIVOT PIN |
| 6 | 8-03-04242 | 1 | ARM PIVOT BRACKET ASSY |
| 7 | 2-00-02310 | 12 | LK WASH HELICAL SPR ZN |
| 8 | 2-00-00234 | 8 | SCW HHC .375 16 X 1.50 GR5 ZN |
| 9 | 8-55-08102 | 4 | WLDMT PIN UPPER ARMS LIFT |
| 10 | 2-00-02558 | 4 | FTG GRS ALEMITE 1688 B .125 |
| 11 | 2-00-04159 | 8 | WSHR FL 1.375X.563X.109 STL.ZN |
| 12 | 2-00-02312 | 8 | LK WASHER 1/2 ID MED SEC ZN |
| 13 | 2-00-01254 | 6 | SCW HHC .50 13 X 1.50 gr 5 zn |
| 14 | 8-55-08107 | 2 | PIN ARM PIVOT |
| 15 | 2-00-04893 | 2 | SLEEVE BEARING 1.5 INCH |
| 16 | 0880-449 | 2 | SEAL KIT FOR CYL. 8 17 05029 |
| 16 | 8-17-05029 | 2 | CYLINDER HOPPER LIFT |
| 17 | 8-03-04246 | 2 | WELDMENT LOWER SECTION L R |
| 18 | 2-00-04894 | 2 | SLEEVE BEARING 1.0 INCH |
| 19 | 8-14-01010 | 1 | CLEVIS DUMP CYLINDER |
| 20 | 2-00-00519 | 5 | LK WASH 10 MED SEC ZN |
| 21 | 8-82-00050 | 1 | SWITCH LIFT CYLINDER LOCK OUT |
| 22 | 2-00-04378 | 2 | CLIP WATER LINE |
| 23 | 2-00-00056 | 3 | SCW RHM 10 24 X .75 ZN |
| 24 | 2-00-02371 | 2 | NUT HEX JAM .50 13 ZN |
| 25 | 8-80-05014 | 2 | STUD 1/2 13 X 2 1/2 |
| 26 | 7-78-05009 | 2 | STOP RECOVERY TANK |
| 27 | 0880-505 | 1 | SEAL KIT FOR CYL 8 17 05033 |
| 27 | 8-17-05028 | 1 | CYLINDER HOPPER DUMP |
| 28 | 2-00-04967 | 4 | SCR. HHM .50 13 X 2.50 GR5 ZN |
| 29 | 0880-450 | 1 | SEAL KIT FOR CYL. 8 17 05030 |
| 29 | 8-17-05030 | 1 | CYLINDER HOPPER ROLL OUT |
| 30 | 2-00-02436 | 1 | PIN COTT.188 DIA X 1.75 STL ZN |
| 31 | 8-55-08103 | 1 | PIN HOPPER ROTATE |
| 32 | 8-06-01083 | 1 | BUSHING ROTATE CYLINDER |
| 33 | 2-00-00240 | 4 | SCW HHC .50 13 X 1.25 GR 5 ZN |
| 34 | 2-00-00426 | 3 | WSHR FL .500X.219X.063 STL.ZN |
| 35 | 2-00-00605 | 1 | NUT HEX MAC SCR 10 24 STL/ZN |
| 36 | 8-08-00743 | 1 | WELDMENT ROTATE CYLINDER BRKT |
| 37 | 7-76-00050-1 | 1 | SPR LEVER CLUTCH 721 726 730 |
| 38 | 2-00-00213 | 2 | SCREW HHC .313 18 X .625 ZN |
| 39 | 2-00-00530 | 2 | LK WASH 5/16 MED SEC SPL ZN |
| 40 | 2-00-00409 | 2 | WSHR FLAT.688X.344X.063 STL |

Hopper system (variable dump)

3366 from Serial No. 586001

17-11-2012

Part List ID
3366S86001011

14

| Pos | Part no. | Qty | Description |
|-----|------------|-----|-------------------------------|
| 41 | 8-50-05054 | 2 | PAD RUBBER |
| 42 | 2-00-00596 | 2 | NUT FULL HEX FIN .50 13 ZN |
| 43 | 8-55-08102 | 2 | WLDMT PIN UPPER ARMS LIFT |
| 44 | 8-71-00017 | 1 | SHIM ADJ LIFT CYL MOUNT |
| 45 | 8-08-00742 | 2 | WELDMENT ADJ LIFT CYC BRACKET |
| 46 | 2-95-04689 | 2 | WSHR AXLE STEEL/ZINC |
| 47 | 2-00-02310 | 2 | LK WASH HELICAL SPR ZN |
| 48 | 2-00-00232 | 2 | SCW HHC .375 16 X .75 GR5 ZN |

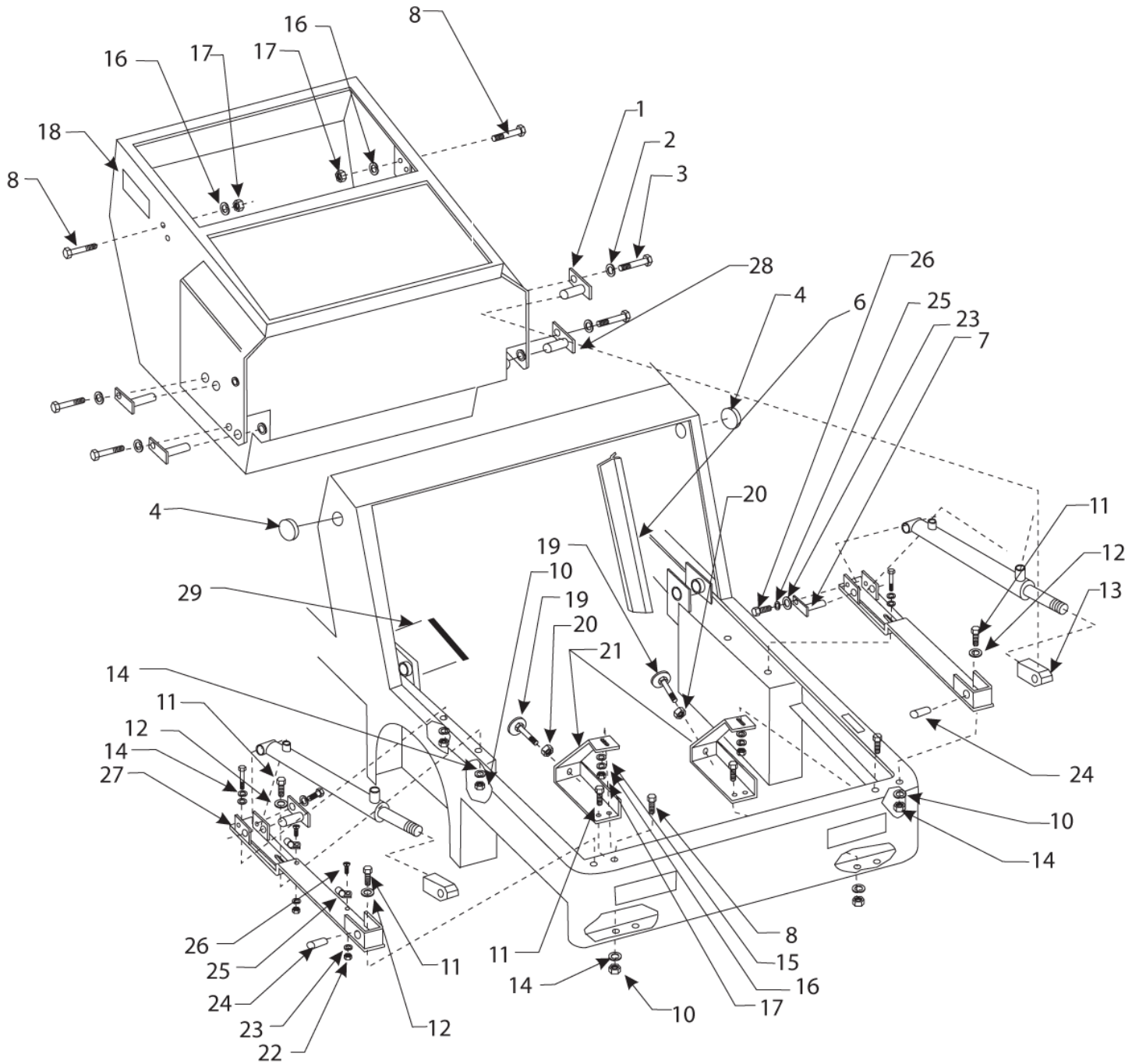
Hopper System (low dump)

3366 from Serial No. 586001

17-11-2012

Part List ID
3366S586001013

15



Hopper System (low dump)

3366 from Serial No. 586001

17-11-2012

Part List ID
3366S86001013

16

| Pos | Part no. | Qty | Description | |
|-----|------------|-----|--------------------------------|-----|
| 1 | 8-55-08105 | 1 | WLDMT PIN HOPPER DUMP | |
| 2 | 2-00-00518 | 4 | LK WASH 1/4 MED. SECTION ZN | |
| 3 | 2-00-00221 | 4 | SCW HHC .25 20 X .75 GR 8 ZN | |
| 4 | 2-00-04432 | 2 | PLUG BUTTON FOR 2.094D HOLE | |
| 5 | 56109107 | 2 | SEAL KIT FOR 8 17 05033 | |
| 5 | 8-17-05033 | 2 | CYLINDER HOPPER LIFT LOW DUMP | |
| 6 | 8-21-04041 | 2 | EDGING LOW DUMP LINTEL | |
| 7 | 8-55-08102 | 2 | WLDMT PIN UPPER ARMS LIFT | |
| 8 | 2-00-00233 | 6 | SCREW HHC .375 16 X 1.00 GR ZN | |
| 9 | 8-18-00305 | 1 | DECAL-WARNING-PINCH POINT | REF |
| 10 | 2-00-00596 | 6 | NUT FULL HEX FIN .50 13 ZN | |
| 11 | 2-00-00240 | 10 | SCW HHC .50 13 X 1.25 GR 5 ZN | |
| 12 | 2-00-04159 | 6 | WSHR FL 1.375X.563X.109 STL.ZN | |
| 13 | 8-14-01010 | 2 | CLEVIS DUMP CYLINDER | |
| 14 | 2-00-02312 | 10 | LK WASHER 1/2 ID MED SEC ZN | |
| 15 | 2-00-00402 | 2 | WSHR FL..750X.391X.093 STL ZN | |
| 16 | 2-00-02310 | 6 | LK WASH HELICAL SPR ZN | |
| 17 | 2-00-02360 | 6 | NUT HEX FIN .38 16 ZINC PL | |
| 18 | 8-18-00314 | 1 | DECAL WARNING SERVICE PRECAU | REF |
| 19 | 8-78-05019 | 2 | STOP HOPPER | |
| 20 | 2-00-00598 | 2 | NUT HEX HVY JAM .50 13 | |
| 21 | 8-08-00628 | 2 | BRKT LOW DUMP HOPPER STOP | |
| 22 | 2-00-00596 | 4 | NUT FULL HEX FIN .50 13 ZN | |
| 23 | 2-00-00409 | 2 | WSHR FLAT.688X.344X.063 STL | |
| 24 | 2-00-04894 | 2 | SLEEVE BEARING 1.0 INCH | |
| 25 | 2-00-00530 | 2 | LK WASH 5/16 MED SEC SPL ZN | |
| 26 | 2-00-00213 | 2 | SCREW HHC .313 18 X .625 ZN | |
| 27 | 8-08-00751 | 2 | LOW DUMP BRKT HOPPER PIVOT | |
| 28 | 8-55-08104 | 2 | WLDMT PIN HOPPER PIVOT | |
| 29 | 7-21-04031 | 2 | EDGING BRUSH DR SUPT | |
| 30 | 2-00-04345 | 2 | TY RAP THOMAS+BETTS TY 28M | |

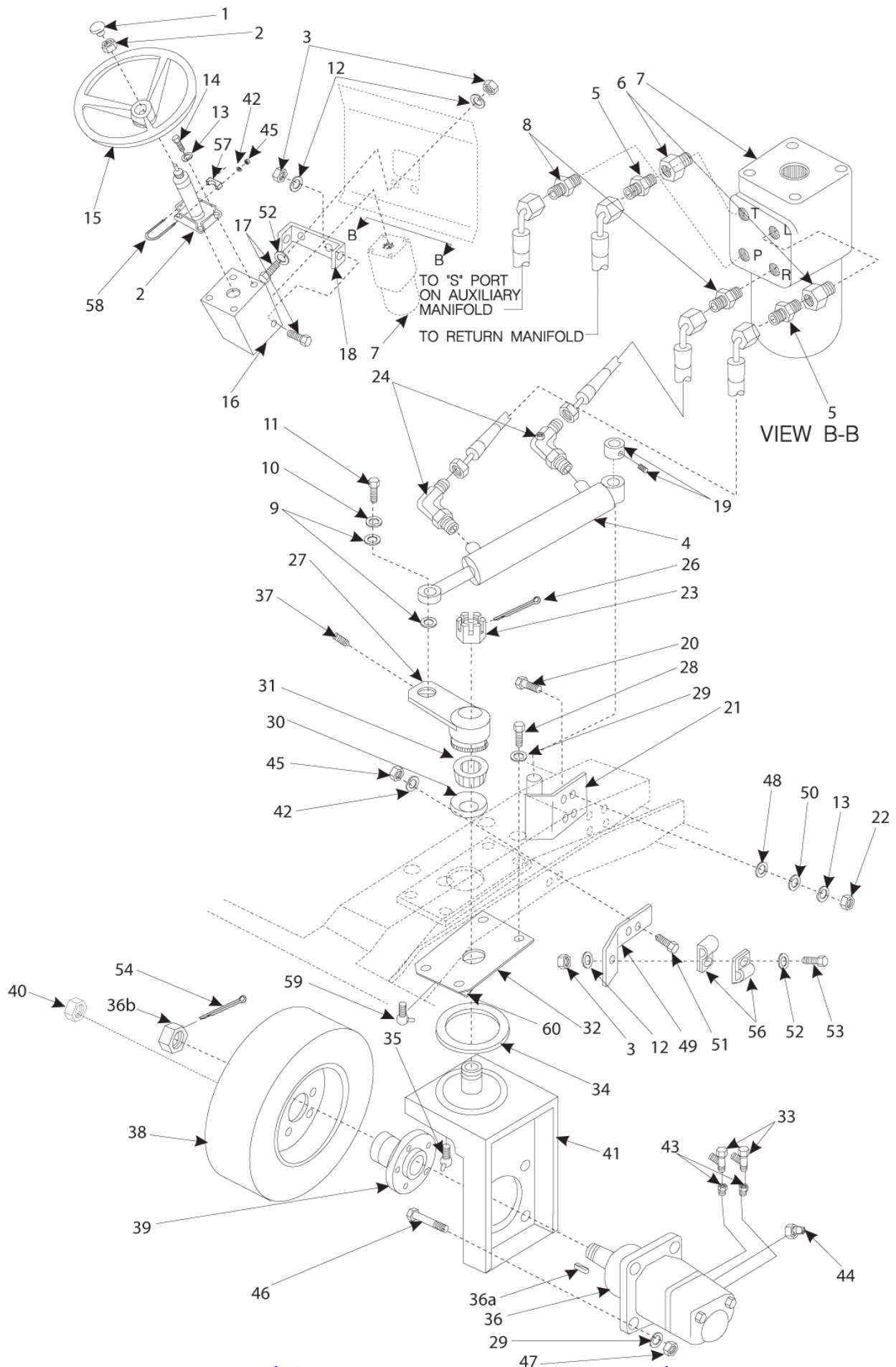
Steering Gear and Rear Drive System

3366 from Serial No. 586001

17-11-2012

Part List ID
3366S586001015

17



Steering Gear and Rear Drive System

3366 from Serial No. 586001

17-11-2012

Part List ID
3366S86001015

18

| Pos | Part no. | Qty | Description |
|-----|--------------|-----|--------------------------------|
| 1 | 8-11-00022 | 1 | CAP WHEEL STEERING |
| 2 | 8-70-05287 | 1 | STEERING COLUMN ASSY. |
| 3 | 2-00-00585 | 5 | NUT HEX FIN .31 18 ZN |
| 4 | 8-17-05029 | 1 | CYLINDER HOPPER LIFT |
| 5 | 2-00-04895 | 2 | STRAIGHT THREAD FITTING |
| 6 | 2-00-04917 | 2 | FITTING REDUCER SAE6 TO SAE4 |
| 7 | 8-60-05023 | 1 | STEERING CONTROL UNIT 5.9CIR |
| 8 | 2-00-04918 | 2 | FITTING STRAIGHT SAE6 TO ORS4 |
| 9 | 2-00-00432 | 2 | WSHR FL.1.125X.766X.063 STL ZN |
| 10 | 2-00-00522 | 1 | LK WASH HEL. ZN PL STEEL |
| 12 | 2-00-00530 | 5 | LK WASH 5/16 MED SEC SPL ZN |
| 13 | 2-00-02310 | 8 | LK WASH HELICAL SPR ZN |
| 14 | 2-00-00232 | 4 | SCW HHC .375 16 X .75 GR5 ZN |
| 15 | 7-89-08041 | 1 | STEERING WHEEL |
| 16 | 8-33-05109 | 1 | WELDMNT STG CNTRL HOUSING |
| 17 | 2-00-00208 | 4 | SCW HHC .313 18 X .75 GR5 ZN |
| 18 | 8-08-00728 | 1 | BRACKET STG CNTRL HSG MOUNT |
| 19 | 8-15-01003 | 1 | COLLAR W/SETSCR.1.250ODX 563ID |
| 20 | 2-00-00209 | 4 | SCW HHC.375 16 X 1.25 GR 5 ZN |
| 21 | 8-08-00727 | 1 | WELDMNT STG CYL PIVOT BRACKET |
| 22 | 2-00-02360 | 4 | NUT HEX FIN .38 16 ZINC PL |
| 23 | 2-00-05026 | 1 | NUT HEX SLOT FIN. ZN |
| 24 | 2-00-04892 | 2 | HYD. ADAPTER SAE TO OR 90 EL |
| 26 | 2-00-04803 | 1 | PIN COTTER .125 DIA X 2.00 STL |
| 27 | 8-03-04318 | 1 | WLDMNT STEERING ARM |
| 28 | 2-00-01254 | 6 | SCW HHC .50 13 X 1.50 gr 5 zn |
| 29 | 2-00-02312 | 8 | LK WASHER 1/2 ID MED SEC ZN |
| 30 | 2-00-04621 | 1 | CUP TIMKEN |
| 31 | 2-00-02079 | 1 | BRG SINGLE SEAL TIMKEN |
| 32 | 8-58-05269 | 1 | PIVOT PLATE 3366 XP |
| 33 | 2-00-05358 | 2 | FITTING HYD SWIVEL |
| 34 | 2-00-04455 | 1 | BEARING THRUST |
| 35 | 2-00-02558 | 1 | FTG GRS ALEMITE 1688 B .125 |
| 36 | 56109738 | 1 | WHEEL MOTOR KIT |
| 37 | 2-00-00256 | 1 | SETSCREW HSKCP .25 20 X .38 |
| 38 | 8-89-08059 | 1 | WHL ASSY PNEUMATIC REAR 6X9 |
| 39 | 0860-536 | 1 | HUB/STUD ASSY REAR WHEEL |
| 39 | 7-80-05056-1 | 5 | STUD WHEEL |
| 39 | 8-33-09081 | 1 | HUB DRIVE WHEEL |
| 40 | 8-23-03065 | 5 | NUT WHEEL |
| 41 | 8-92-00043 | 1 | WLDMT DRIVE WHEEL YOKE 3366 |
| 42 | 2-00-00518 | 4 | LK WASH 1/4 MED. SECTION ZN |
| 43 | 8-03-02036 | 2 | REDUCER EXPANDER |

Steering Gear and Rear Drive System

3366 from Serial No. 586001

17-11-2012

Part List ID
3366S86001015

19

| Pos | Part no. | Qty | Description | |
|-----|------------|-----|--------------------------------|-----------|
| 44 | 2-00-04976 | 1 | FITTING HYD 45 EL 40RS 4SAE | |
| 45 | 2-00-00594 | 4 | NUT HEX STD FIN .25 20 ZN | |
| 46 | 2-00-00242 | 4 | SCREW HHC .50 13 X 2.25 | |
| 47 | 2-00-00596 | 4 | NUT FULL HEX FIN .50 13 ZN | |
| 48 | 2-00-03829 | 4 | LK WASH INT/EXT TOOTH ZN | |
| 49 | 8-08-00733 | 1 | BRACKET HOSE MOUNT | |
| 50 | 2-00-03266 | 4 | WSHR FAN MOD 772 | |
| 51 | 2-00-00221 | 2 | SCW HHC .25 20 X .75 GR 8 ZN | |
| 52 | 2-00-00409 | 3 | WSHR FLAT.688X.344X.063 STL | |
| 53 | 2-00-02708 | 1 | SCW HHM .313 18 X 1.00 GR 5 ZN | |
| 54 | 2-00-00776 | 1 | PIN COTT.125 DIA X 1.50 STL ZN | |
| 55 | 2-00-04345 | 3 | TY RAP THOMAS+BETTS TY 28M | NOT SHOWN |
| 56 | 2-00-04564 | 2 | CABLE CLAMP | |
| 57 | 8-08-00578 | 1 | BRKT STEERING COLUMN UPPER | |
| 58 | 8-13-07085 | 1 | U BOLT | |
| 59 | 2-00-02559 | 1 | LUBE FITTING 90 DEG. | |
| 60 | 8-68-05097 | 1 | BEARING SEAL | |
| 61 | 8-68-05098 | 1 | BEARING SEAL | |
| 36A | 8-70-00026 | 1 | KEY | |
| 36B | 0880-237 | 1 | SEAL KIT SHAFT | |
| 36B | 0880-238 | 1 | SEAL KIT MOTOR | |
| 36B | 8-70-00027 | 1 | NUT | |

Forward/Reverse Control

3366 from Serial No. 586001

17-11-2012

Part List ID
3366S86001017

21

| Pos | Part no. | Qty | Description |
|-----|--------------|-----|--------------------------------|
| 1 | 8-55-00029 | 1 | WELDMENT FWD/REV PEDAL |
| 2 | 2-00-03569 | 4 | BOLT CARR.31 18 X .75 GR5 ZN |
| 3 | 8-08-00723 | 2 | BRACKET FWD/REV PEDAL PIVOT |
| 4 | 2-00-01246 | 1 | 10 24 NYLON INSERT THIN |
| 5 | 8-14-01006 | 1 | CLEVIS |
| 6 | 2-95-01999 | 6 | NUT HEX JAM .25 28 ZN |
| 7 | 2-00-04563 | 1 | 10 24 SHOULDER SCREW |
| 8 | 2-00-00196 | 2 | BLT CAR..31 18 X 1 GR 5 ZN |
| 9 | 8-08-00585 | 1 | BRACKET FWD/REV CABLE MOUNT |
| 10 | 2-00-00409 | 2 | WSHR FLAT.688X344X.063 STL |
| 11 | 2-00-00530 | 6 | LK WASH 5/16 MED SEC SPL ZN |
| 12 | 2-00-00585 | 6 | NUT HEX FIN .31 18 ZN |
| 13 | 2-00-04345 | 1 | TY RAP THOMAS+BETTS TY 28M |
| 14 | 8-16-00045 | 1 | ACCELERATOR CABLE |
| 15 | 2-00-00219 | 6 | SCW HHC .25 20 X .50 GR 5 ZN |
| 16 | 8-08-00678 | 1 | BRACKET HYDROBACK |
| 17 | 7-25-02050 | 2 | BALL JOINT ROD END 1/4 28 |
| 18 | 2-00-00246 | 1 | SCW HHC .25 20 X 2.25 GR 5 ZN |
| 19 | 7-75-01110 | 1 | SPACER TRANSMISSION ARM |
| 20 | 2-00-00641 | 1 | NUT INS FIBRE .25 20 ZN PL |
| 21 | 7-03-04105 | 1 | WELDMENT TRANSMISSION ARM |
| 22 | 2-00-00225 | 1 | SCW HHC .313 18 X 1.50 GR5 ZN |
| 23 | 2-00-04801 | 2 | WSHR FLAT .875X380X120TH ZN |
| 24 | 2-00-03412 | 2 | NUT LOCK 1 PC .38 24 ZN |
| 25 | 7-58-05220 | 1 | PLATE TRANSMISSION ARM |
| 26 | 8-60-05006-2 | 1 | PUMP HYD PISTON |
| 27 | 0880-404 | 1 | HYD. PUMP ASSY. KIT |
| 28 | 2-00-00596 | 1 | NUT FULL HEX FIN .50 13 ZN |
| 29 | 2-00-02312 | 1 | LK WASHER 1/2 ID MED SEC ZN |
| 30 | 8-08-00860 | 1 | BRACKET HYDROBACK |
| 31 | 8-60-05022 | 1 | PUMP AUXILIARY 1.20 C.I.R. |
| 32 | 8-16-00025 | 1 | CENTERING CONTROL |
| 33 | 2-00-00405 | 1 | WSHR FLAT 1.063X.531X.094 STL. |
| 34 | 2-00-00240 | 1 | SCW HHC .50 13 X 1.25 GR 5 ZN |
| 35 | 7-66-00147 | 1 | ROD 1/4 28x3.00 |
| 36 | 2-00-00233 | 8 | SCREW HHC .375 16 X 1.00 GR ZN |
| 37 | 2-00-00224 | 2 | SCR HHC .313 18 X .50 GR 5 ZN |
| 38 | 2-00-02310 | 8 | LK WASH HELICAL SPR ZN |
| 39 | 2-00-00402 | 8 | WSHR FL..750X.391X.093 STL ZN |
| 40 | 8-58-05171 | 1 | PLATE MTG PUMP |
| 41 | 2-00-00594 | 6 | NUT HEX STD FIN .25 20 ZN |
| 42 | 2-00-00501 | 14 | LK WASH INT TOOTH ZN |
| 43 | 7-75-01089 | 6 | SANDWICH MOUNT |

Forward/Reverse Control

3366 from Serial No. 586001

17-11-2012

Part List ID
3366S86001017

22

| Pos | Part no. | Qty | Description |
|-----|------------|-----|------------------------------|
| 44 | 2-00-00530 | 1 | LK WASH 5/16 MED SEC SPL ZN |
| 45 | 2-00-00221 | 2 | SCW HHC .25 20 X .75 GR 8 ZN |
| 46 | 2-00-00501 | 2 | LK WASH INT TOOTH ZN |
| 47 | 2-00-00594 | 2 | NUT HEX STD FIN .25 20 ZN |

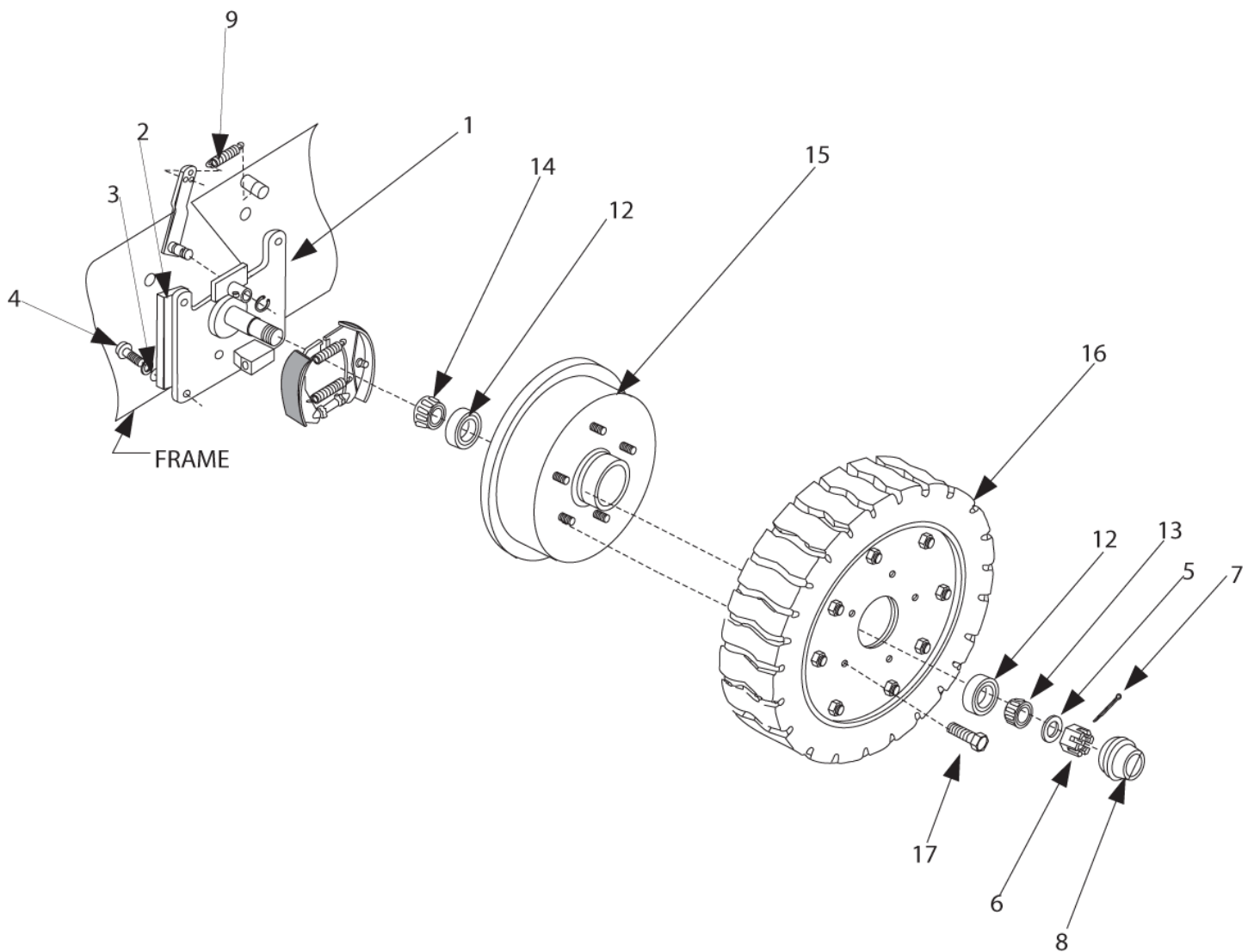
Brake and Front Wheel assembly

3366 from Serial No. 586001

17-11-2012

Part List ID
3366S586001019

23



Brake and Front Wheel assembly

3366 from Serial No. 586001

17-11-2012

Part List ID
3366S86001019

24

| Pos | Part no. | Qty | Description |
|-----|------------|-----|--|
| 0 | 8-70-00086 | 1 | FLAP PNEUMATIC TIRE 9.0x6.7 |
| 0 | 8-70-00087 | 1 | TUBE INNER PNEU TIRE6.00x9SE |
| 0 | 8-85-06022 | 1 | TIRE 6.00x9 PNEUMATIC SERVICE PARTS |
| 1 | 0860-703 | 2 | AXLE SHAFT ASSY |
| 2 | 8-75-01216 | 4 | SPACER BRAKES |
| 3 | 2-00-02312 | 8 | LK WASHER 1/2 ID MED SEC ZN |
| 4 | 2-00-02693 | 8 | SCREW HHC .50 20 X 2.00 GR5 ZN |
| 5 | 2-00-05024 | 2 | WASH FLAT 2 OD X1.06X.109 ZN |
| 6 | 2-00-05026 | 2 | NUT HEX SLOT FIN. ZN |
| 7 | 2-00-02436 | 2 | PIN COTT.188 DIA X 1.75 STL ZN |
| 8 | 8-11-00030 | 2 | CAP |
| 9 | 8-76-00042 | 2 | SPR LEVER LIFT BRUSH GUTTER |
| 12 | 2-00-04621 | 4 | CUP TIMKEN |
| 13 | 2-00-04622 | 2 | CONETIMKEN |
| 14 | 2-00-02079 | 2 | BRG SINGLE SEAL TIMKEN |
| 15 | 8-33-09089 | 2 | HUB DRUM MACHINED |
| 16 | 8-89-08054 | 2 | WHL ASSY PNEUMATIC FRONT 6X9 |
| 17 | 8-80-05035 | 10 | STUD DRIVE WHEEL HUB |

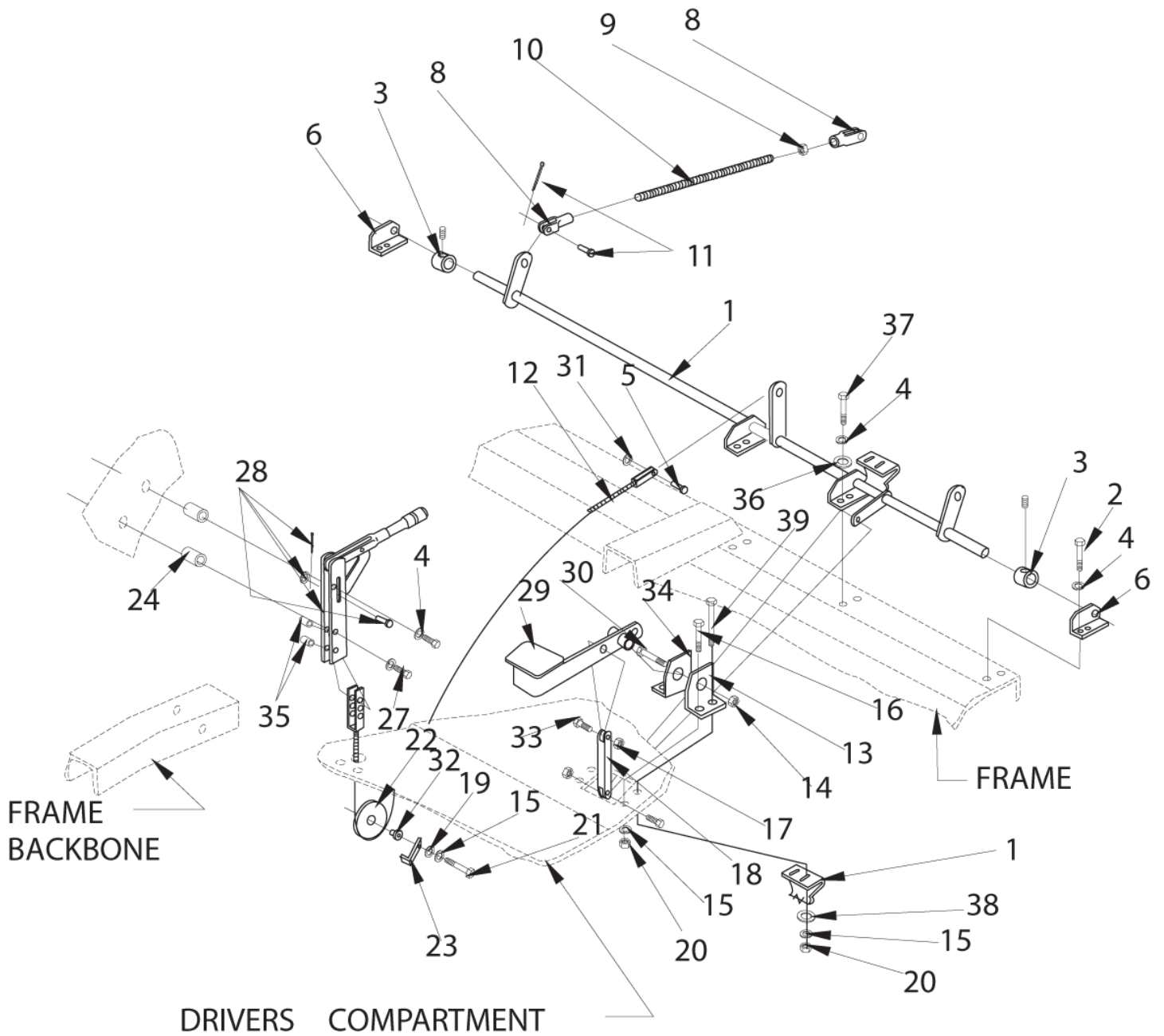
Brake Control Linkage

3366 from Serial No. 586001

17-11-2012

Part List ID
3366S586001021

25



Brake Control Linkage

3366 from Serial No. 586001

17-11-2012

Part List ID
3366S86001021

26

| Pos | Part no. | Qty | Description |
|-----|------------|-----|--------------------------------|
| 1 | 8-70-05288 | 1 | WELDMT BRAKE PIVOT SHAFT 3366 |
| 2 | 2-00-00213 | 8 | SCREW HHC .313 18 X .625 ZN |
| 3 | 8-15-01003 | 2 | COLLAR W/SETSCR.1.250ODX.563ID |
| 4 | 2-00-00530 | 10 | LK WASH 5/16 MED SEC SPL ZN |
| 5 | 2-00-00206 | 1 | SCW HHC .313 18X1.00 GR 8 ZN |
| 6 | 8-08-00571 | 2 | SHAFT BRACKET BRAKE |
| 7 | 2-00-00518 | 1 | LK WASH 1/4 MED. SECTION ZN |
| 8 | 8-14-01006 | 4 | CLEVIS |
| 9 | 2-95-01999 | 2 | NUT HEX JAM .25 28 ZN |
| 10 | 8-66-00154 | 2 | ROD PULL BRAKE ASSY |
| 11 | 2-00-04909 | 4 | YOKE PIN ASSY |
| 12 | 8-10-00032 | 1 | BRAKE CABLE ASSY PARKING |
| 13 | 8-08-00756 | 1 | BRACKET SIDE PLATE RH |
| 14 | 2-00-04936 | 1 | NUT INS FIBRE .50 13 ZINC |
| 15 | 2-00-02310 | 5 | LK WASH HELICAL SPR ZN |
| 16 | 2-00-00232 | 2 | SCW HHC .375 16 X .75 GR5 ZN |
| 17 | 2-95-04182 | 2 | NUT EL.STOP 3/8 16 ZN PL |
| 18 | 8-42-05126 | 1 | WELDMENT BRAKE LINK |
| 19 | 2-00-00402 | 1 | WSHR FL..750X.391X.093 STL ZN |
| 20 | 2-00-02360 | 4 | NUT HEX FIN .38 16 ZINC PL |
| 21 | 2-00-00234 | 1 | SCW HHC .375 16 X 1.50 GR5 ZN |
| 22 | 8-60-00140 | 1 | PULLEY |
| 23 | 8-08-00436 | 1 | BRACKET |
| 24 | 8-75-01184 | 2 | SPACER LEVER MOUNTING |
| 27 | 2-00-00228 | 2 | SCREW HHC .313 18 X 2.50 G5 ZN |
| 28 | 7-41-05083 | 1 | LEVER PARKING BRAKE |
| 29 | 7-55-00011 | 1 | BRAKE PEDAL WELDMENT |
| 30 | 2-00-02682 | 1 | SCREW HHC .50 13 X 2.75 GR5 ZN |
| 31 | 2-00-00644 | 1 | NUT INS FIBRE .31 18 ZN PL |
| 32 | 8-09-01065 | 1 | BUSHING |
| 33 | 2-00-00233 | 2 | SCREW HHC .375 16 X 1.00 GR ZN |
| 34 | 8-08-00755 | 1 | BRACKET SIDE PLATE LH |
| 35 | 7-75-01126 | 2 | SPACER PARKING BRAKE LEVER |
| 36 | 2-00-00409 | 2 | WSHR FLAT.688X.344X.063 STL |
| 37 | 2-00-01255 | 2 | SCW HHC .313 18 X .875 GR5 ZN |
| 38 | 2-00-04801 | 2 | WSHR FLAT .875X.380X.120TH ZN |
| 39 | 2-00-00209 | 1 | SCW HHC.375 16 X 1.25 GR 5 ZN |

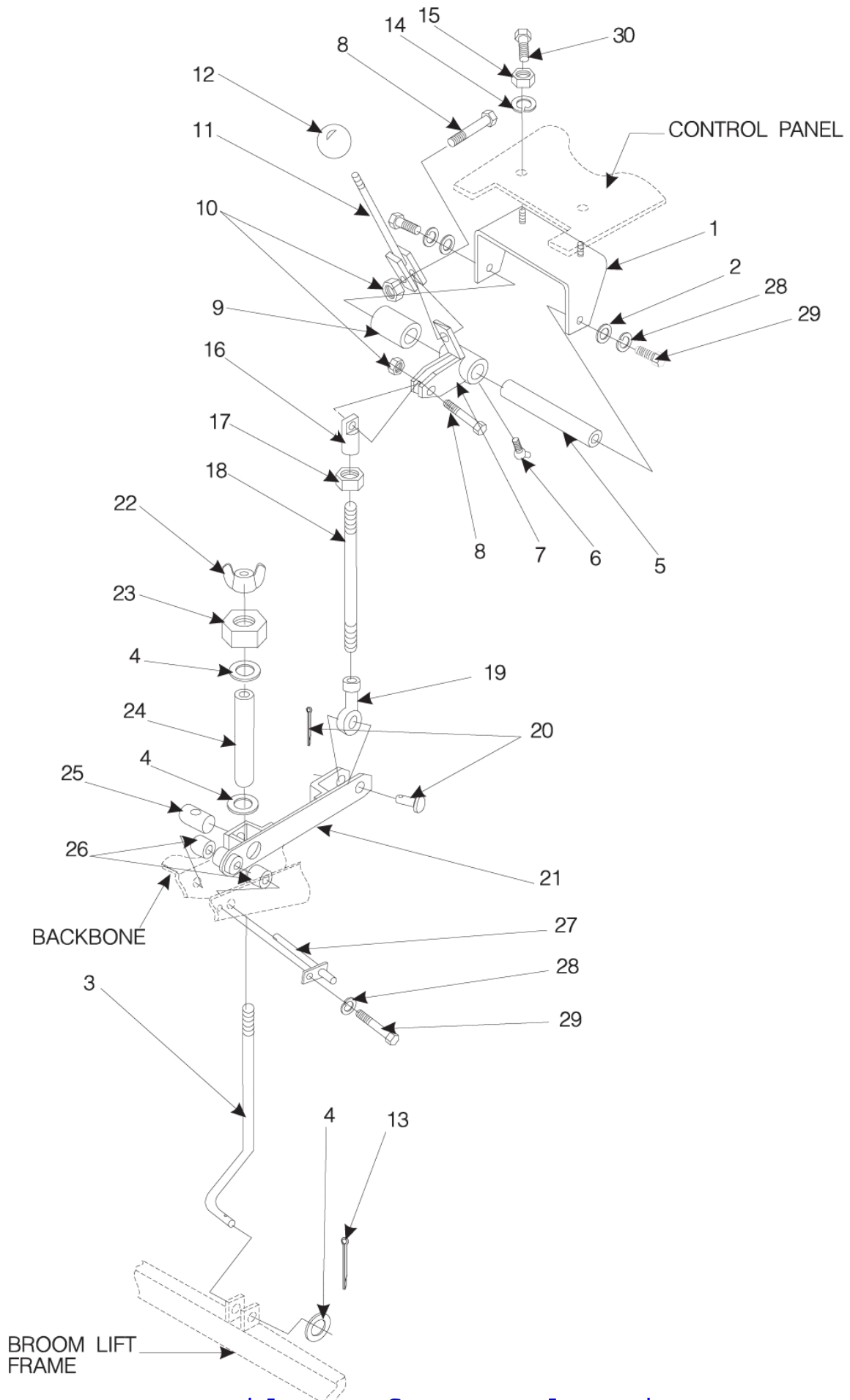
Main Broom Lift Mechanism

3366 from Serial No. 586001

17-11-2012

Part List ID
3366S586001023

27



Main Broom Lift Mechanism

3366 from Serial No. 586001

17-11-2012

Part List ID
3366Sb86001023

28

| Pos | Part no. | Qty | Description |
|-----|------------|-----|--------------------------------|
| 1 | 8-08-00645 | 1 | BRACKET MAIN BROOM WELDMENT |
| 3 | 8-66-00161 | 1 | ROD MAIN BROOM LIFT ARM |
| 4 | 2-00-00432 | 3 | WSHR FL.1.125X.766X.063 STL ZN |
| 5 | 8-70-05284 | 1 | SHAFT MAIN BROOM PIVOT |
| 6 | 2-00-02558 | 1 | FTG GRS ALEMITE 1688 B .125 |
| 7 | 8-16-00035 | 1 | WLDMT PIVOT BLOCK MAIN BROOM |
| 8 | 2-00-00234 | 2 | SCW HHC .375 16 X 1.50 GR5 ZN |
| 9 | 8-75-01177 | 1 | SPACER PIVOT TUBE |
| 10 | 2-95-04182 | 2 | NUT EL.STOP 3/8 16 ZN PL |
| 11 | 8-16-00034 | 1 | WLDMT BROOM LIFT LEVER |
| 12 | 8-39-00003 | 1 | KNOB CONT |
| 13 | 2-00-02436 | 1 | PIN COTT.188 DIA X 1.75 STL ZN |
| 14 | 2-00-00530 | 2 | LK WASH 5/16 MED SEC SPL ZN |
| 15 | 2-00-00585 | 1 | NUT HEX FIN .31 18 ZN |
| 16 | 8-66-00141 | 1 | ROD END MAIN BROOM |
| 17 | 2-00-00591 | 1 | NUT HX JAM .50 20 ZN PLATE |
| 18 | 8-66-00150 | 1 | ROD LINKAGE |
| 19 | 8-66-00144 | 1 | ROD END BROOM LIFT LINKAGE |
| 20 | 8-55-08101 | 1 | PIN CLEVIS BROOM LIFT |
| 21 | 8-16-00037 | 1 | WLDMT LIFT LINKAGE |
| 22 | 2-00-04891 | 1 | NUT WING 3/4 10 ZINC FINISH |
| 23 | 8-39-00011 | 1 | KNOB TORQUE MAIN BROOM ADJ |
| 24 | 8-75-01180 | 1 | SPACER MAIN BROOM |
| 25 | 8-55-08099 | 1 | PIN PIVOT MAIN BROOM |
| 26 | 8-75-01178 | 2 | SPACER MAIN BROOM LIFT |
| 27 | 8-16-00038 | 1 | WLDMT PIVOT SHAFT |
| 28 | 2-00-00518 | 3 | LK WASH 1/4 MED. SECTION ZN |
| 29 | 2-00-00221 | 3 | SCW HHC .25 20 X .75 GR 8 ZN |
| 30 | 2-00-00208 | 2 | SCW HHC .313 18 X .75 GR5 ZN |

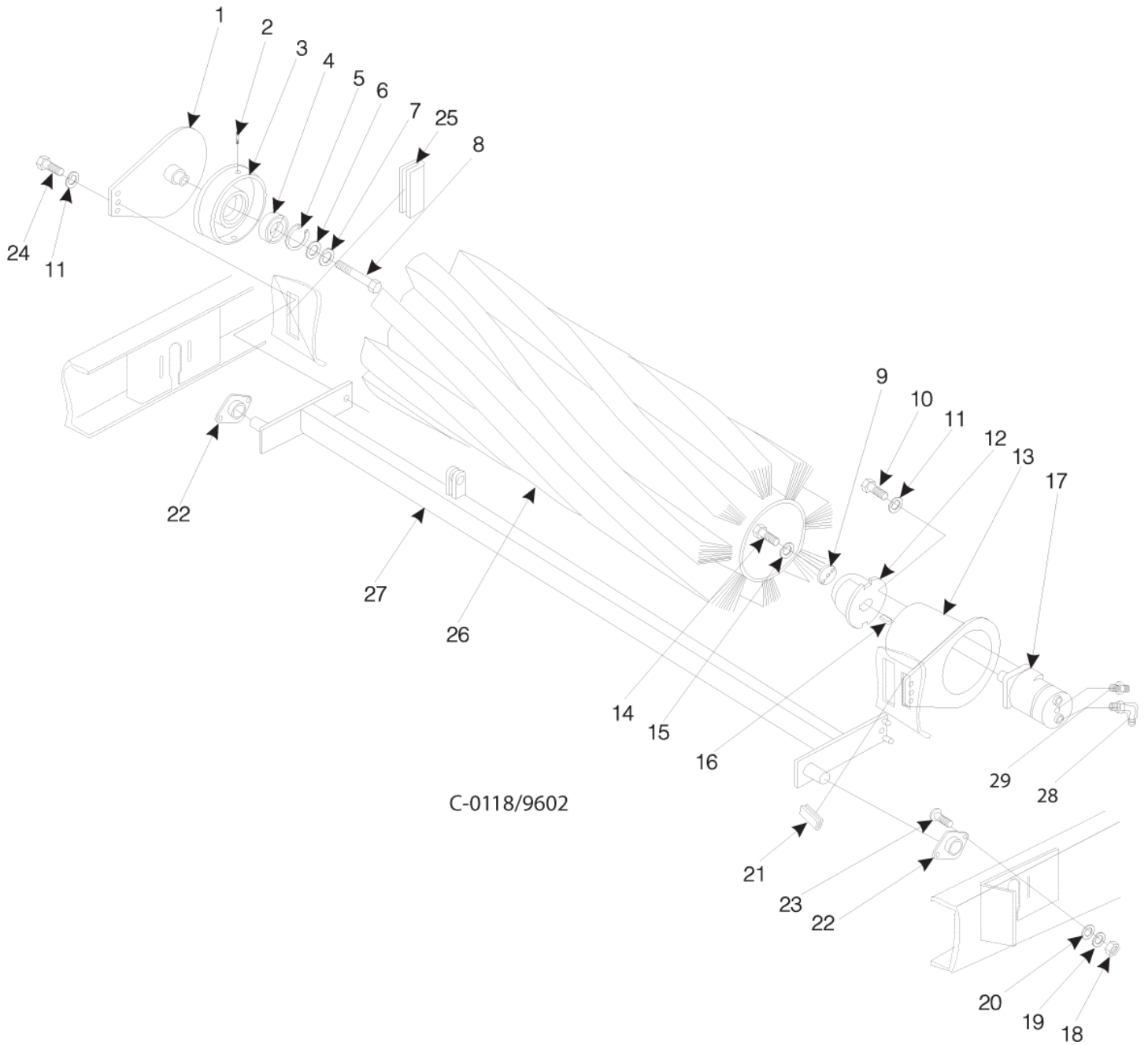
Main Broom

3366 from Serial No. 586001

17-11-2012

Part List ID
3366S586001025

29



Main Broom

3366 from Serial No. 586001

17-11-2012

Part List ID
3366S86001025

30

| Pos | Part no. | Qty | Description |
|-----|--------------|-----|--------------------------------|
| 1 | 8-16-00039 | 1 | WLDMT BROOM ARM |
| 2 | 2-00-04886 | 2 | SCREW HSHC 3/8 16 X 1/2 LONG |
| 3 | 8-33-09090 | 1 | IDLER MAIN BROOM MACHINED |
| 4 | 2-00-04889 | 1 | BEARING MAIN BROOM IDLER |
| 5 | 2-00-04890 | 1 | RETAINING RING BROOM IDLER |
| 6 | 8-75-01157 | 1 | THRUST WASHER |
| 7 | 2-00-00522 | 1 | LK WASH HEL. ZN PL STEEL |
| 8 | 2-00-04887 | 1 | SCREW HHC .75 10 X 1.25 GR5 ZN |
| 9 | 8-58-05160 | 1 | PLATE LOCKING DRIVER BROOM |
| 10 | 2-00-00232 | 4 | SCW HHC .375 16 X .75 GR5 ZN |
| 11 | 2-00-02310 | 6 | LK WASH HELICAL SPR ZN |
| 12 | 8-33-09046-1 | 1 | HUB |
| 13 | 8-16-00041 | 1 | WLDMT DRIVE BROOM ARM |
| 14 | 2-00-03039 | 3 | SCREW HSHC .25 20X.63 ZINC PL |
| 15 | 2-00-00518 | 6 | LK WASH 1/4 MED. SECTION ZN |
| 16 | 2-00-00722 | 1 | KEY WOODRUFF 1/4 X 1 |
| 17 | 0882-040 | 1 | HYDRAULIC MOTOR MAIN BROOM REF |
| 18 | 2-00-00585 | 4 | NUT HEX FIN .31 18 ZN |
| 19 | 2-00-00530 | 4 | LK WASH 5/16 MED SEC SPL ZN |
| 20 | 2-00-00409 | 4 | WSHR FLAT.688X.344X.063 STL |
| 21 | 8-21-04048 | 2 | EDGING BROOM CHAMBER |
| 22 | 2-00-03997 | 2 | BRG FLANGETTE 1 IN FAFNIR RAT |
| 23 | 2-00-00196 | 4 | BLT CAR..31 18 X 1 GR 5 ZN |
| 24 | 2-00-00233 | 2 | SCREW HHC .375 16 X 1.00 GR ZN |
| 25 | 8-29-00220 | 4 | GASKET BROOM CHMBR TO LIFT ARM |
| 27 | 8-03-04281 | 1 | WELDMENT MAIN BROOM LIFT ARM |
| 28 | 2-00-04885 | 1 | HYD.FITTING SAE TO OR 90 EL |
| 29 | 2-00-04895 | 1 | STRAIGHT THREAD FITTING |

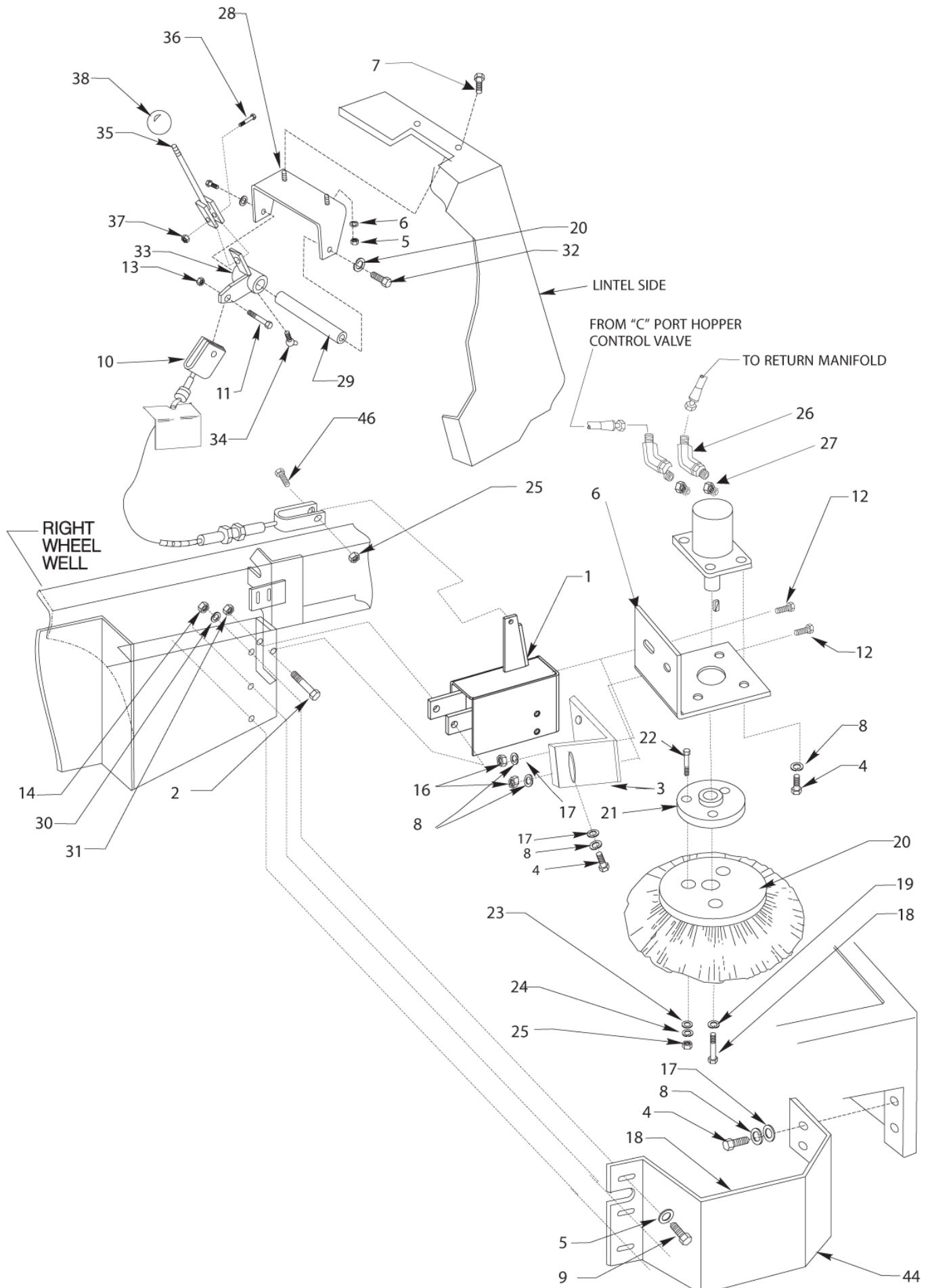
Side Broom

3366 from Serial No. 586001

17-11-2012

Part List ID
3366S586001027

31



Ersatzteile auf www.gluesing.net

Side Broom

3366 from Serial No. 586001

17-11-2012

Part List ID
3366Sb8600102/

32

| Pos | Part no. | Qty | Description | |
|-----|------------|-----|--------------------------------|------|
| 1 | 8-03-04282 | 1 | WELDMENT SIDE BROOM ARM R.H. | |
| 2 | 2-00-04914 | 1 | SCREW HHC .50 13 X 4.50 GR5 ZN | |
| 3 | 8-08-00725 | 1 | BRACKET SIDE BRM LIFT ARM 3366 | |
| 4 | 2-00-00233 | 9 | SCREW HHC .375 16 X 1.00 GR ZN | |
| 5 | 2-00-04159 | 3 | WSHR FL 1.375X563X109 STL.ZN | |
| 6 | 8-08-00726 | 1 | BRACKET SIDE BROOM LIFT ARM | |
| 7 | 2-00-00208 | 2 | SCW HHC .313 18 X .75 GR5 ZN | |
| 8 | 2-00-02310 | 9 | LK WASH HELICAL SPR ZN | |
| 9 | 2-00-00241 | 3 | SCREW HHC.50 13 X 1.75 GR5 ZN | |
| 10 | 8-10-00028 | 1 | CABLE R H SIDE BROOM | |
| 11 | 2-00-02708 | 1 | SCW HHM .313 18 X 1.00 GR 5 ZN | |
| 12 | 2-00-00209 | 1 | SCW HHC.375 16 X 1.25 GR 5 ZN | |
| 13 | 2-00-00644 | 2 | NUT INS FIBRE .31 18 ZN PL | |
| 14 | 2-00-04936 | 2 | NUT INS FIBRE .50 13 ZINC | |
| 15 | 0882-047 | 1 | MOTOR HYD.SIDE BROOM 2.2 CIR | |
| 16 | 2-00-00584 | 2 | NUT HEX FIN .38 24 | |
| 17 | 2-00-04801 | 6 | WSHR FLAT .875X380X120TH ZN | |
| 18 | 2-00-01490 | 1 | SCW HHC .25 20 X .875 GR5 ZN | |
| 19 | 2-00-00518 | 3 | LK WASH 1/4 MED. SECTION ZN | |
| 20 | 8-08-03211 | 1 | NYLON SIDE BROOM | |
| 21 | 8-25-06008 | 1 | FLANGE CURB BROOM | |
| 22 | 2-00-00218 | 3 | SCW HHC .313 18 X 2.00 GR5 ZN | |
| 23 | 2-00-00409 | 3 | WSHR FLAT.688X344X.063 STL | |
| 24 | 2-00-00530 | 5 | LK WASH 5/16 MED SEC SPL ZN | |
| 25 | 2-00-00585 | 5 | NUT HEX FIN .31 18 ZN | |
| 26 | 2-00-04926 | 2 | FITTING 90 SAE6 TO ORS4 | |
| 27 | 2-00-04915 | 1 | FITTING REDUCER SAE10 TO SAE6 | |
| 28 | 8-08-00646 | 1 | BRACKET SIDE BROOM WELDMENT | |
| 29 | 8-70-05285 | 1 | SHAFT SIDE BROOM PIVOT | |
| 30 | 2-00-02312 | 3 | LK WASHER 1/2 ID MED SEC ZN | |
| 32 | 2-00-00221 | 2 | SCW HHC .25 20 X .75 GR 8 ZN | |
| 33 | 8-57-05021 | 1 | PIVOT SIDE BROOM WELDMENT | |
| 34 | 2-00-02558 | 1 | FTG GRS ALEMITE 1688 B .125 | |
| 35 | 8-16-00034 | 1 | WLDMT BROOM LIFT LEVER | |
| 36 | 2-00-00234 | 1 | SCW HHC .375 16 X 1.50 GR5 ZN | |
| 37 | 2-95-04182 | 1 | NUT EL.STOP 3/8 16 ZN PL | |
| 38 | 8-39-00003 | 1 | KNOB CONT | |
| 39 | 2-00-00584 | 2 | NUT HEX FIN .38 24 | |
| 44 | 8-30-05166 | 1 | SIDE BROOM GUARD R.H. | |
| 46 | 2-00-00207 | 1 | SCW HHC .313 18 X 1.25 GR 5 ZN | |
| 15A | 2-00-00722 | 1 | KEY WOODRUFF 1/4 X 1 | REF. |

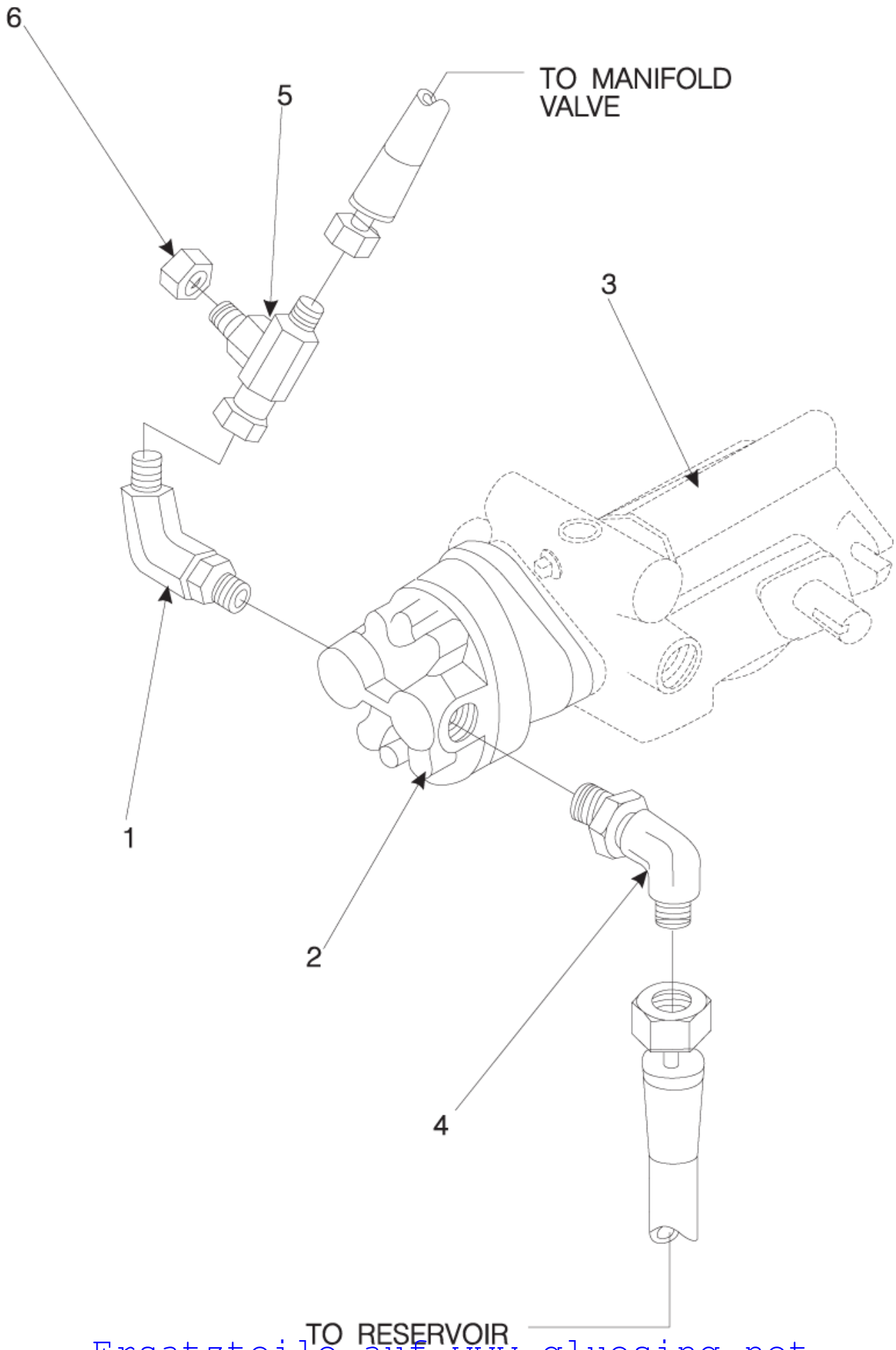
Auxiliary Pump and Fittings

3366 from Serial No. 586001

17-11-2012

Part List ID
3366S586001028

33



Auxiliary Pump and Fittings

3366 from Serial No. 586001

17-11-2012

Part List ID
3366S886001028

34

| Pos | Part no. | Qty | Description |
|-----|--------------|-----|----------------------------------|
| 1 | 2-00-04974 | 1 | FITTING HYD STR 80RS 10SAE |
| 2 | 0880-404 | 1 | HYD. PUMP ASSY. KIT NOT SHOWN |
| 2 | 8-60-05022 | 1 | PUMP AUXILIARY 1.20 C.I.R. |
| 3 | 8-60-05006-2 | 1 | PUMP HYD PISTON |
| 4 | 2-00-04920 | 1 | FITTING REDUCER IGS AE TO 12ORS |
| 5 | 2-00-04928 | 1 | FITTING RUN TEE ORS8MALE TOEML |
| 6 | 2-00-04957 | 1 | FITTING CAP 8 ORS |

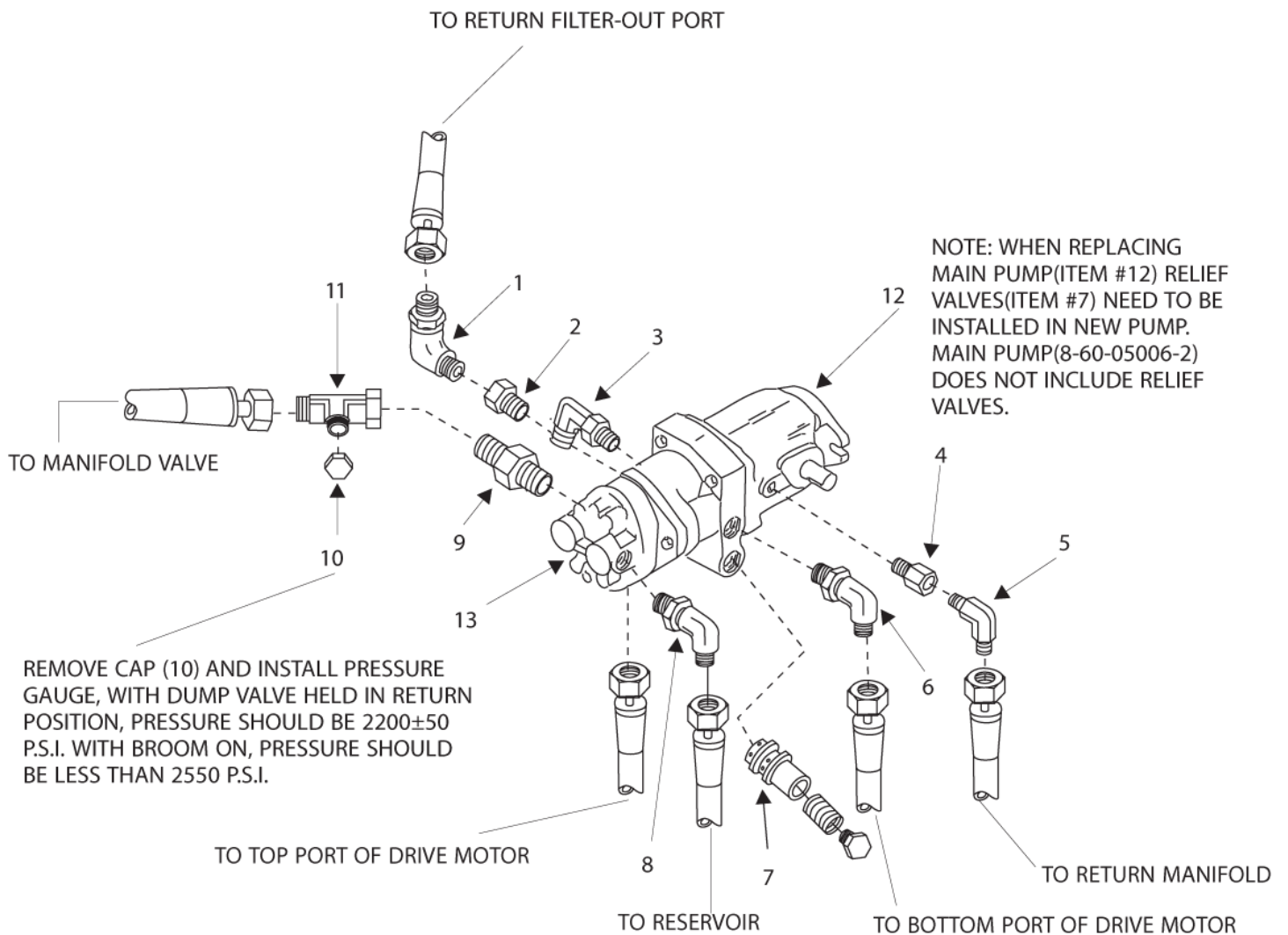
Main Pump and Fittings

3366 from Serial No. 586001

17-11-2012

Part List ID
3366S586001029

35



Main Pump and Fittings

3366 from Serial No. 586001

17-11-2012

Part List ID
3366S86001029

36

| Pos | Part no. | Qty | Description |
|-----|--------------|-----|--------------------------------|
| 1 | 2-00-04926 | 1 | FITTING 90 SAE6 TO ORS4 |
| 2 | 2-00-04932 | 1 | FITTING REDUCER SAE8 TO SAE6 |
| 3 | 2-00-04922 | 2 | FITTING 90 SAE12 TO ORS8 |
| 4 | 2-00-04917 | 1 | FITTING REDUCER SAE6 TO SAE4 |
| 5 | 2-00-04892 | 1 | HYD. ADAPTER SAE TO OR 90 EL |
| 6 | 2-00-04920 | 1 | FITTING REDUCER IGSAE TO 12ORS |
| 7 | 8-88-00065 | 2 | VALVE RELIEF |
| 8 | 2-00-04920 | 1 | FITTING REDUCER IGSAE TO 12ORS |
| 9 | 2-00-04974 | 1 | FITTING HYD STR 80RS 10SAE |
| 10 | 2-00-04957 | 1 | FITTING CAP 8 ORS |
| 11 | 2-00-04928 | 1 | FITTING RUN TEE ORS8MALE TOEML |
| 12 | 8-60-05006-2 | 1 | PUMP HYD PISTON |
| 13 | 8-60-05022 | 1 | PUMP AUXILIARY 1.20 C.I.R. |

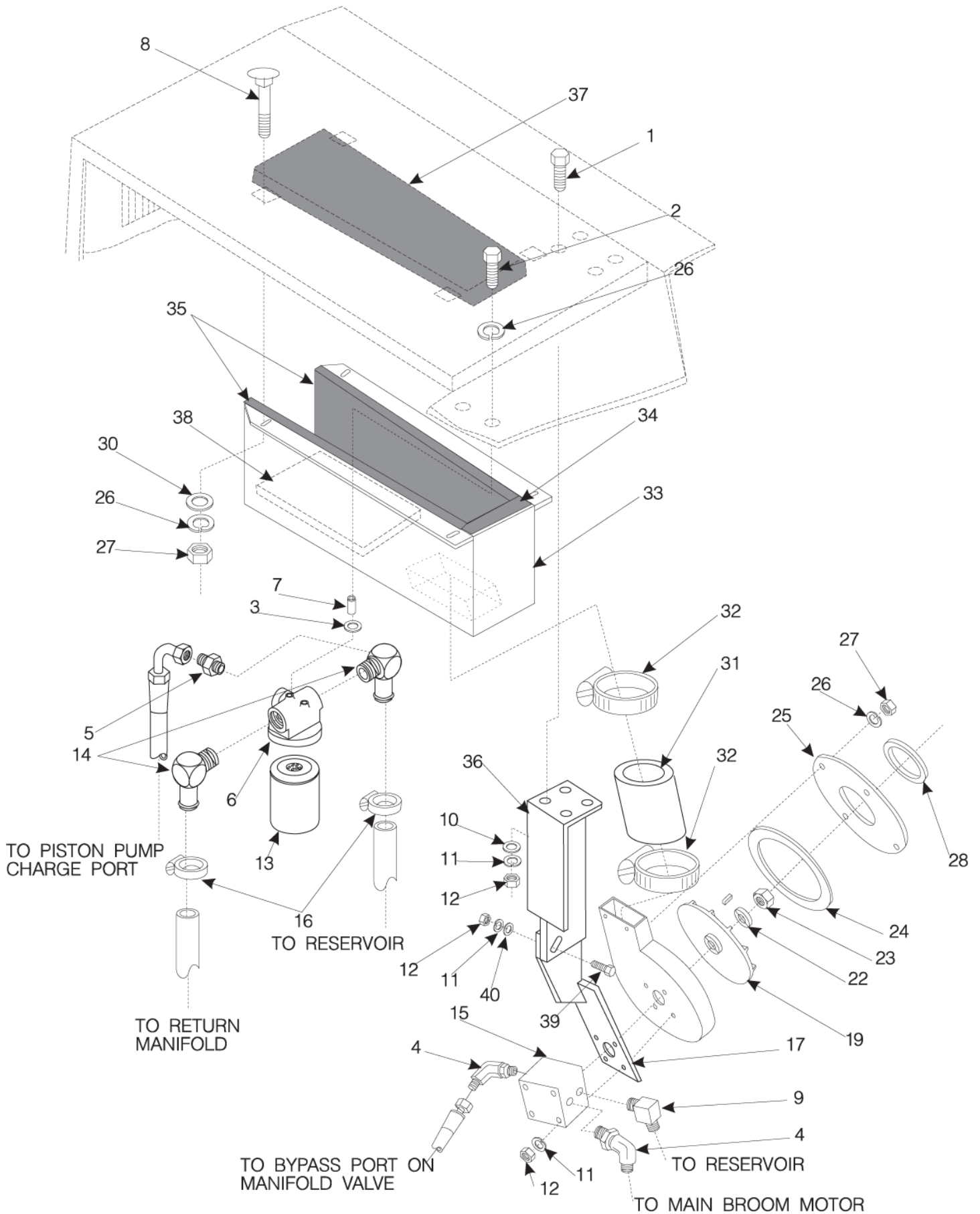
Impeller and Fittings

3366 from Serial No. 586001

17-11-2012

Part List ID
3366S586001031

37



Impeller and Fittings

3366 from Serial No. 586001

17-11-2012

Part List ID
3366S86001U31

38

| Pos | Part no. | Qty | Description |
|-----|------------|-----|--------------------------------|
| 1 | 2-00-02708 | 4 | SCW HHM .313 18 X 1.00 GR 5 ZN |
| 2 | 8-56-05077 | 1 | FITTING MODIFIED ELBOW |
| 3 | 2-00-01676 | 2 | WSHR FLAT 1.063X.266X.063 STL. |
| 4 | 8-56-05077 | 1 | FITTING MODIFIED ELBOW |
| 5 | 2-00-04997 | 1 | FITTING 1/4 NPT TO 4 ORS NIPP |
| 6 | 8-24-04133 | 1 | FILTER LOW PRESSURE RETURN |
| 7 | 8-75-01181 | 2 | SPACER FILTER MOUNT |
| 8 | 2-00-03575 | 4 | BOLT CARR..25 20 X .75 GR5 ZN |
| 9 | 2-00-04976 | 1 | FITTING HYD 45 EL 40RS 4SAE |
| 10 | 2-00-00409 | 10 | WSHR FLAT.688X.344X.063 STL |
| 11 | 2-00-00530 | 10 | LK WASH 5/16 MED SEC SPL ZN |
| 12 | 2-00-00585 | 10 | NUT HEX FIN .31 18 ZN |
| 13 | 8-24-04118 | 1 | ELEMENT FILTER SERVICE |
| 14 | 2-00-05133 | 4 | FITTING ELBOW90 1 NPTX1 HOSE |
| 15 | 0882-041 | 1 | HYD MOTOR DUST CONTSEE PARTS |
| 15 | 2-00-02227 | 1 | KEY SQ .125X.75 STL |
| 15 | 7-70-00020 | 1 | SEAL KIT FOR 0782 108 HYD MTR |
| 16 | 2-00-02220 | 2 | CLAMP WITTEK 16 |
| 17 | 8-03-04289 | 1 | WELDMENT LOWER IMPELLER BRKT |
| 18 | 8-72-00005 | 1 | SHROUD IMPELLER |
| 19 | 8-23-00012 | 1 | FAN IMPELLER |
| 20 | 2-00-00252 | 4 | SCREW HHC .313 18 X 4.00 GR 5 |
| 22 | 2-00-00484 | 1 | SPACER .625X.375X.047 STL/ZNC |
| 23 | 2-00-00632 | 1 | NUT INS FIBRE .38 24 ZN PL |
| 24 | 8-29-00111 | 1 | GASKET SHROUD |
| 25 | 8-20-06028 | 1 | WLDMT BLOWER THROAT DUCT |
| 26 | 2-00-00518 | 8 | LK WASH 1/4 MED. SECTION ZN |
| 27 | 2-00-00594 | 8 | NUT HEX STD FIN .25 20 ZN |
| 28 | 8-29-00183 | 1 | GASKET BLOWER |
| 30 | 2-00-03702 | 10 | WSHR FL..625X.281X.063 STL.ZN |
| 31 | 8-33-02271 | 1 | HOSE BLOWER EXHAUST |
| 32 | 2-00-03454 | 2 | CLAMP HOSE 5.125 WITTECK C88P |
| 34 | 8-34-09009 | 1 | INSULATION BLOWER BOX SIDE |
| 35 | 8-34-09007 | 2 | INSULATION BLOWER BOX FRONT |
| 36 | 8-03-04290 | 1 | WELDMENT UPPER IMPELLER BRKT |
| 37 | 8-34-09006 | 1 | INSULATION BLOWER BOX TOP |
| 38 | 8-34-09005 | 1 | INSULATION BLOWER BOX BOTTOM |
| 39 | 2-00-00196 | 2 | BLT CAR..31 18 X 1 GR 5 ZN |
| 40 | 2-00-01803 | 2 | WSHR FL.1.063X.328X.063 STL ZN |

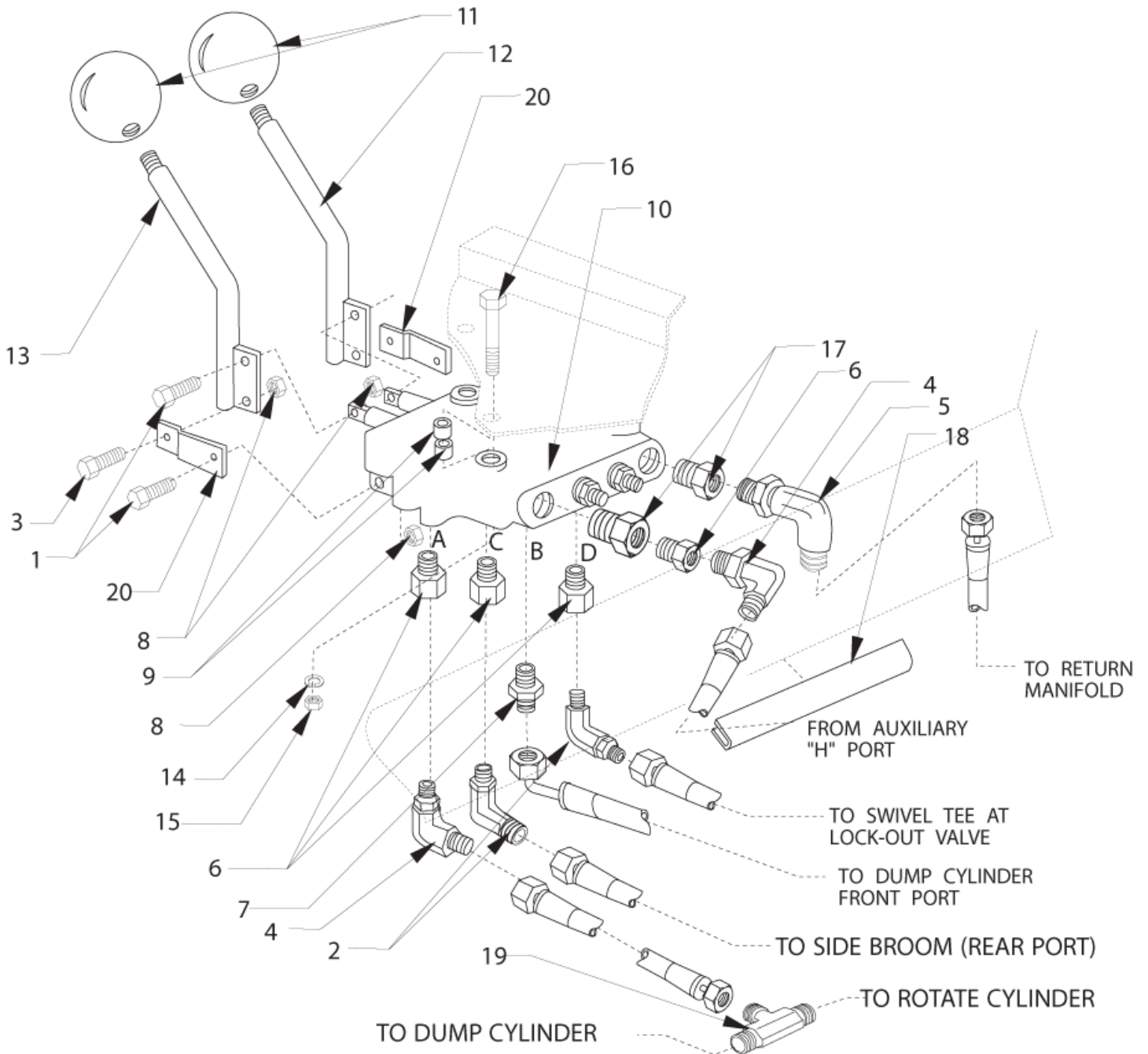
Control Valve and Fittings (variable dump)

3366 from Serial No. 586001

17-11-2012

Part List ID
3366S586001032

39



Control Valve and Fittings (variable dump)

3366 from Serial No. 586001

17-11-2012

Part List ID
3366S8600103Z

40

| Pos | Part no. | Qty | Description |
|-----|------------|-----|--------------------------------|
| 1 | 2-00-04795 | 4 | SCREW SCKT BTN.HD.10 24 X .75 |
| 2 | 2-00-04976 | 2 | FITTING HYD 45 EL 40RS 4SAE |
| 3 | 2-00-05162 | 1 | FITTING RUN TEE 4 ORS |
| 4 | 2-00-04892 | 2 | HYD. ADAPTER SAE TO OR 90 EL |
| 5 | 2-00-04926 | 1 | FITTING 90 SAE6 TO ORS4 |
| 6 | 2-00-04917 | 5 | FITTING REDUCER SAE6 TO SAE4 |
| 7 | 2-00-04918 | 2 | FITTING STRAIGHT SAE6 TO ORS4 |
| 8 | 2-00-01246 | 6 | 10 24 NYLON INSERT THIN |
| 9 | 8-15-01008 | 4 | COLLAR W/SETSCR. .625OD/.313ID |
| 10 | 8-88-00058 | 1 | VALVE HOPPER SIDE BROOM |
| 11 | 8-39-00002 | 2 | KNOB CONT SMALL |
| 12 | 8-41-05066 | 1 | WLDMT LEVER CONTROL VALVE |
| 13 | 8-41-05068 | 1 | WLDMT LEVER CONTROL VALVE RH |
| 14 | 2-00-00518 | 2 | LK WASH 1/4 MED. SECTION ZN |
| 15 | 2-00-00594 | 2 | NUT HEX STD FIN .25 20 ZN |
| 16 | 2-00-01980 | 2 | SCREW HHC.25 20 X 2.50 GR 5 ZN |
| 17 | 2-00-04932 | 2 | FITTING REDUCER SAE8 TO SAE6 |
| 18 | 7-21-04031 | 1 | EDGING BRUSH DR SUPT |
| 19 | 2-00-04930 | 1 | FITTING UNION TEE ALL ORS4 |
| 20 | 8-41-05067 | 2 | LEVER CONTROL VALVE |

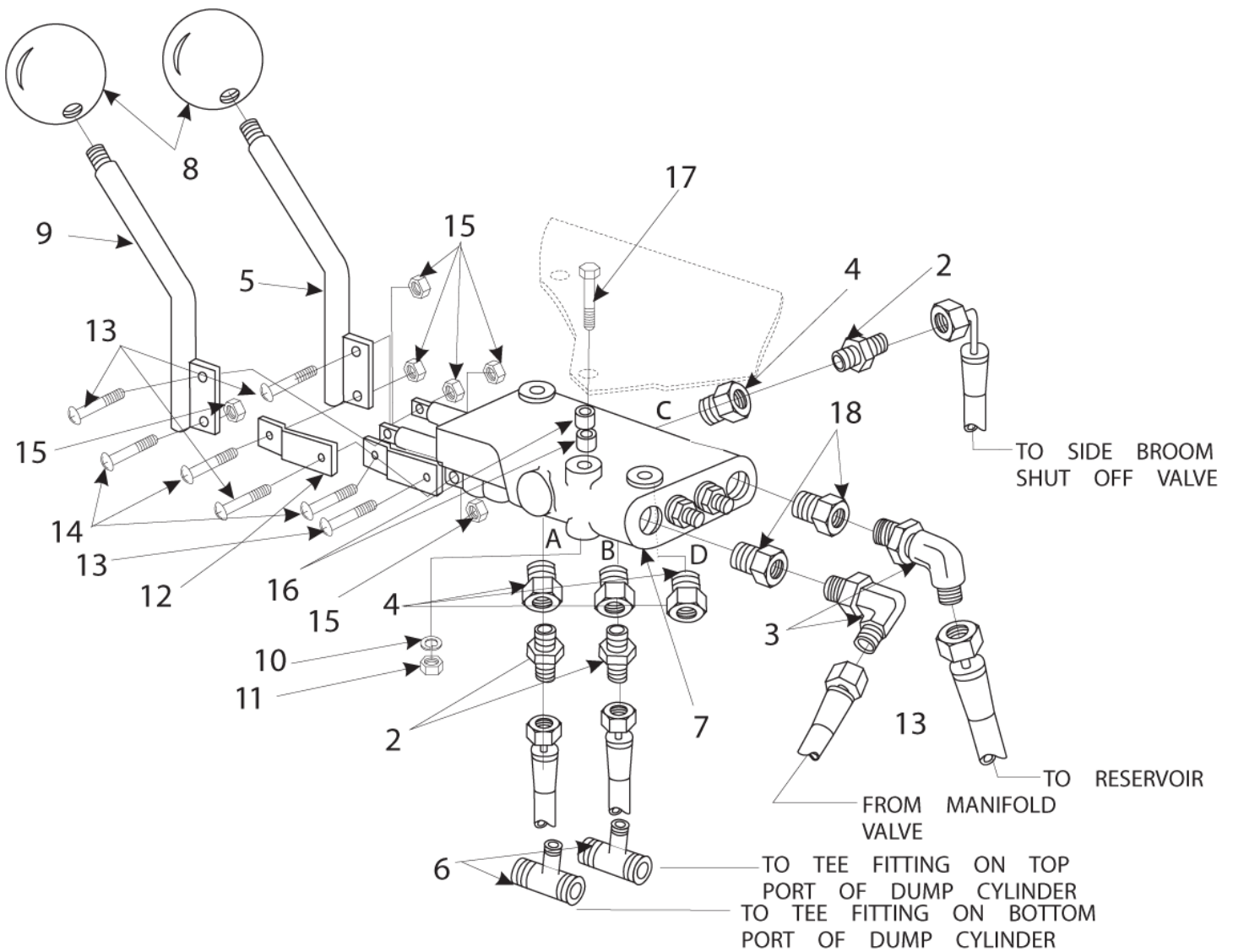
Control Valve and Fittings (low dump)

3366 from Serial No. 586001

17-11-2012

Part List ID
3366S586001033

41



Control Valve and Fittings (low dump)

3366 from Serial No. 586001

17-11-2012

Part List ID
3366Sb86001033

42

| Pos | Part no. | Qty | Description |
|-----|------------|-----|--------------------------------|
| 2 | 2-00-04976 | 3 | FITTING HYD 45 EL 40RS 4SAE |
| 3 | 2-00-04926 | 2 | FITTING 90 SAE6 TO ORS4 |
| 4 | 2-00-04917 | 3 | FITTING REDUCER SAE6 TO SAE4 |
| 5 | 8-41-05066 | 1 | WLDMT LEVER CONTROL VALVE |
| 6 | 2-00-04930 | 2 | FITTING UNION TEE ALL ORS4 |
| 7 | 8-88-00058 | 1 | VALVE HOPPER SIDE BROOM |
| 8 | 8-39-00002 | 2 | KNOB CONT SMALL |
| 9 | 8-41-05068 | 1 | WLDMT LEVER CONTROL VALVE RH |
| 10 | 2-00-00518 | 2 | LK WASH 1/4 MED. SECTION ZN |
| 11 | 2-00-00594 | 2 | NUT HEX STD FIN .25 20 ZN |
| 12 | 8-41-05067 | 2 | LEVER CONTROL VALVE |
| 13 | 2-00-04795 | 4 | SCREW SCKT BTN.HD.10 24 X .75 |
| 14 | 2-00-04794 | 2 | SCREW 10 24 X.63 GR8 ZN |
| 15 | 2-00-01246 | 6 | 10 24 NYLON INSERT THIN |
| 16 | 8-15-01008 | 4 | COLLAR W/SETSCR. .625OD/.313ID |
| 17 | 2-00-01980 | 2 | SCREW HHC.25 20 X 2.50 GR 5 ZN |
| 18 | 2-00-04932 | 2 | FITTING REDUCER SAE8 TO SAE6 |

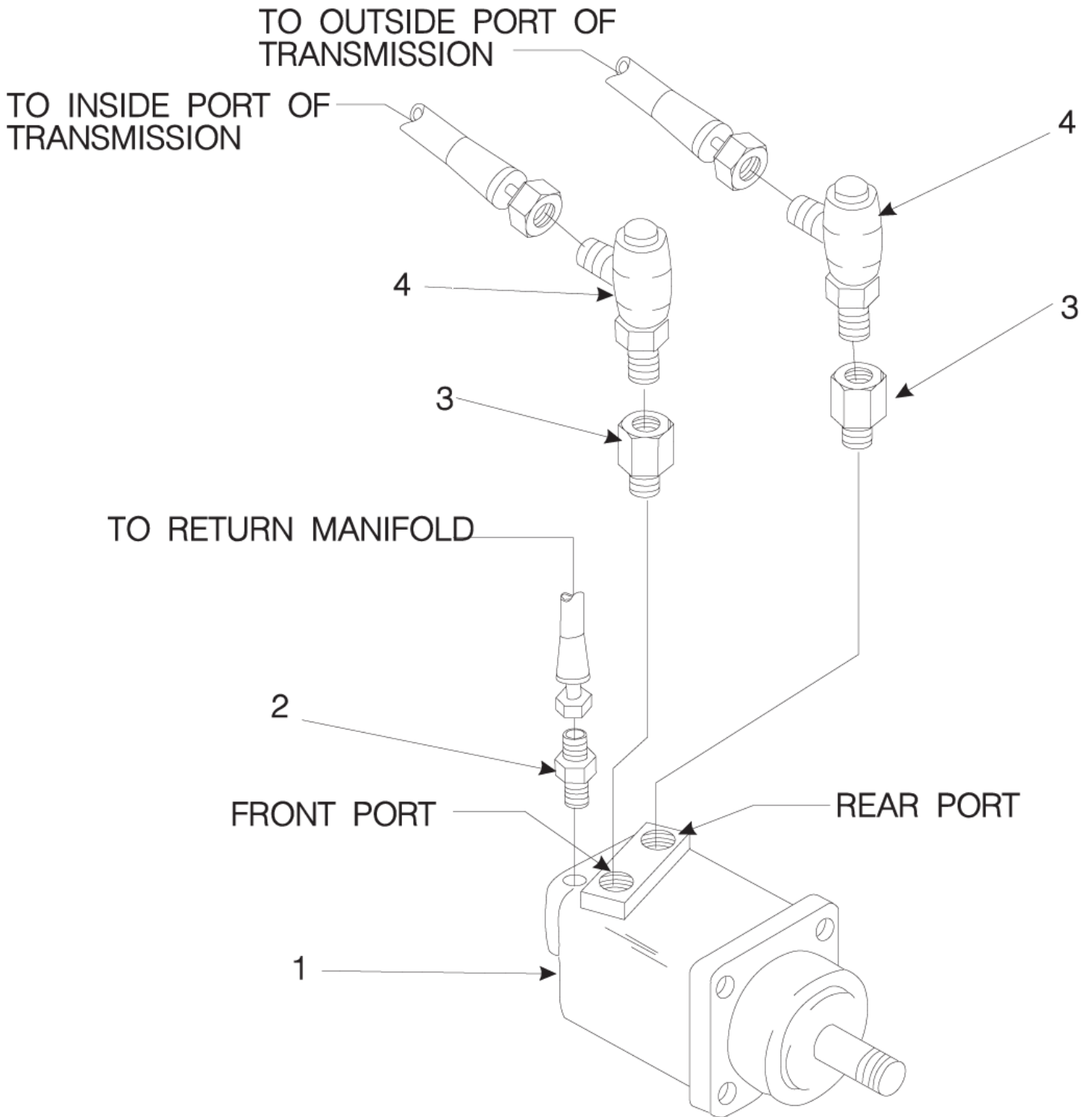
Rear Drive Motor and Fittings

3366 from Serial No. 586001

17-11-2012

Part List ID
3366S586001034

43



Rear Drive Motor and Fittings

3366 from Serial No. 586001

17-11-2012

Part List ID
3366S86001034

44

| Pos | Part no. | Qty | Description | |
|-----|------------|-----|-----------------------------|-----------|
| 1 | 0880-237 | 1 | SEAL KIT SHAFT | NOT SHOWN |
| 1 | 0880-238 | 1 | SEAL KIT MOTOR | NOT SHOWN |
| 1 | 56109738 | 1 | WHEEL MOTOR KIT | |
| 2 | 2-00-04976 | 1 | FITTING HYD 45 EL 40RS 4SAE | |
| 3 | 8-03-02036 | 2 | REDUCER EXPANDER | |
| 4 | 2-00-05358 | 2 | FITTING HYD SWIVEL | |

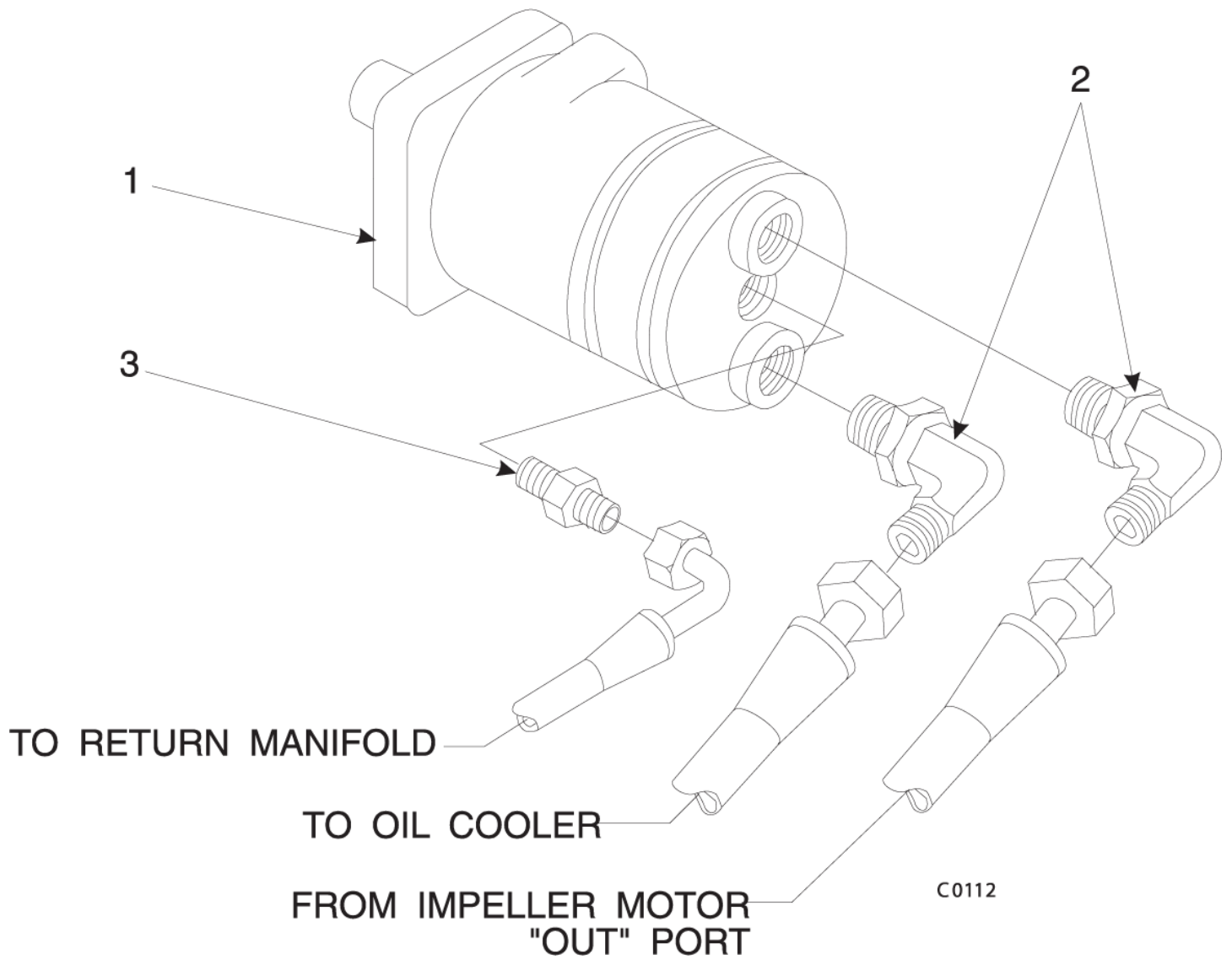
Main Broom Motor and Fittings

3366 from Serial No. 586001

17-11-2012

Part List ID
3366S586001035

45



Main Broom Motor and Fittings

3366 from Serial No. 586001

17-11-2012

Part List ID
3366S86001U35

46

| Pos | Part no. | Qty | Description |
|-----|------------|-----|-----------------------------|
| 1 | 0882-040 | 1 | HYDRAULIC MOTOR MAIN BROOM |
| 1 | 56479577 | 1 | SEAL KIT NOT SHOWN |
| 2 | 2-00-04885 | 2 | HYD.FITTING SAE TO OR 90 EL |
| 3 | 2-00-04895 | 1 | STRAIGHT THREAD FITTING |

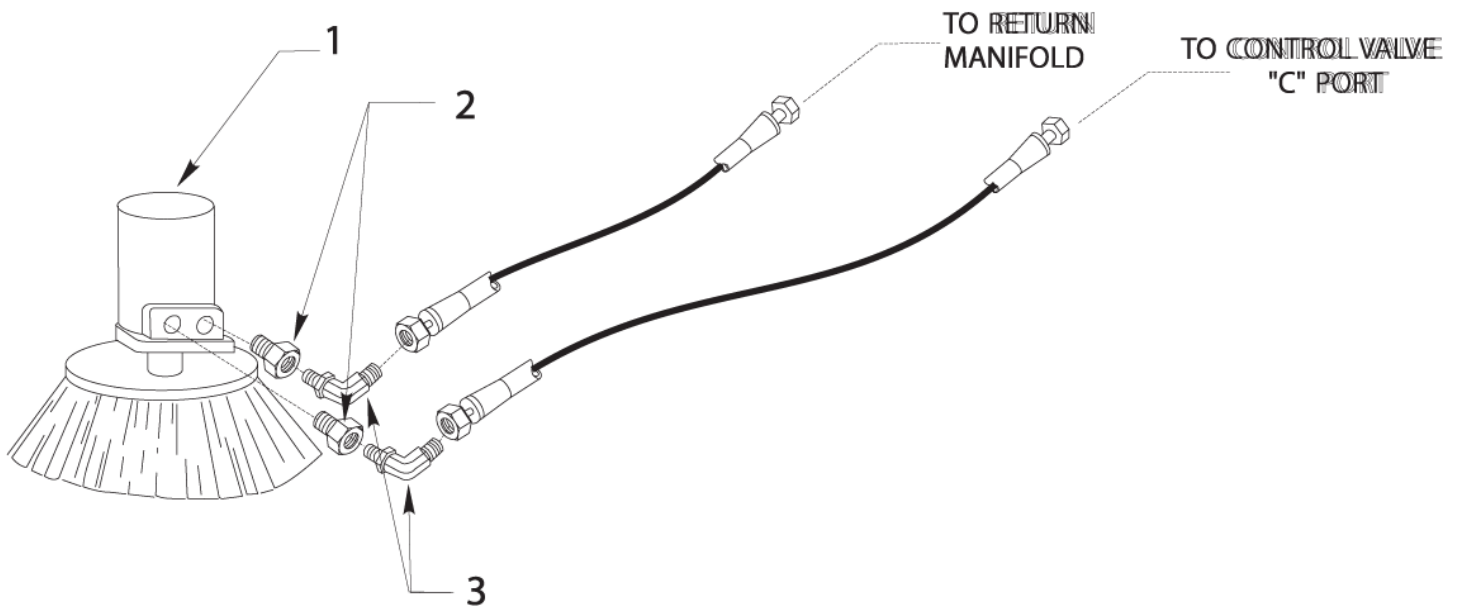
Side Broom Motor and Fittings

3366 from Serial No. 586001

17-11-2012

Part List ID
3366S586001036

47



Side Broom Motor and Fittings

3366 from Serial No. 586001

17-11-2012

Part List ID
3366S86001036

48

| Pos | Part no. | Qty | Description |
|-----|------------|-----|--------------------------------|
| 1 | 0882-047 | 1 | MOTOR HYD.SIDE BROOM 2.2 CIR |
| 1 | 56479577 | 1 | SEAL KIT NOT SHOWN |
| 2 | 2-00-04915 | 2 | FITTING REDUCER SAE10 TO SAE6 |
| 3 | 2-00-04926 | 4 | FITTING 90 SAE6 TO ORS4 |
| 4 | 0891-008 | 1 | VALVE MANUAL RELEASE |
| 5 | 2-00-04940 | 2 | FITTING SWVL BRANCH TEE 40RS |
| 6 | 7-12-02015 | 1 | CARTRIDGE MANUAL RELEASE VALVE |

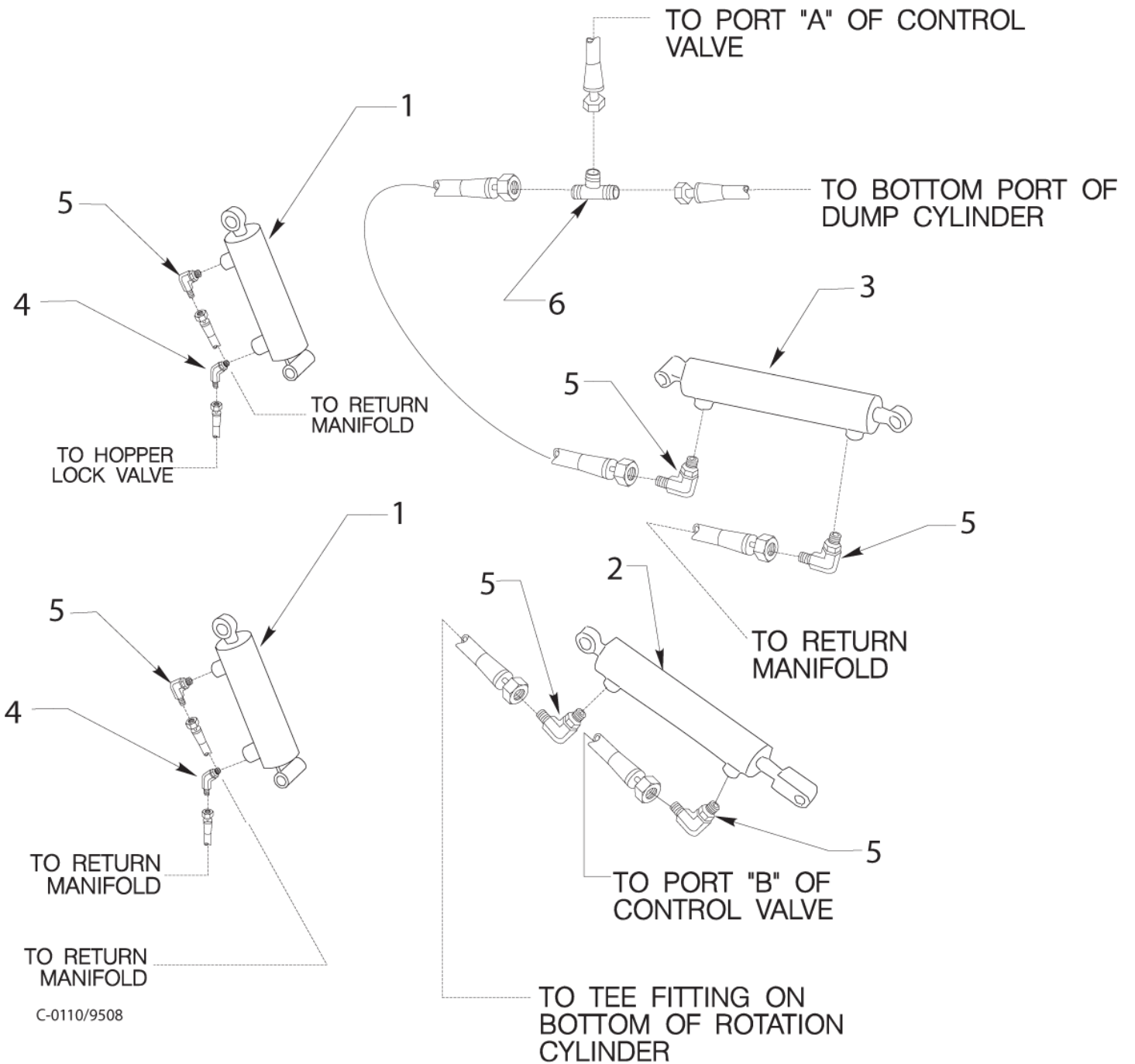
Lift, Rotation and Dump Cylinders w/Fittings (\

3366 from Serial No. 586001

17-11-2012

Part List ID
3366S586001037

49



C-0110/9508

C0110

Lift, Rotation and Dump Cylinders w/Fittings (1

3366 from Serial No. 586001

17-11-2012

Part List ID
3366S88600103/

50

| Pos | Part no. | Qty | Description |
|-----|------------|-----|------------------------------|
| 0 | 0880-449 | 1 | SEAL KIT FOR CYL. 8 17 05029 |
| 0 | 0880-450 | 1 | SEAL KIT FOR CYL. 8 17 05030 |
| 0 | 0880-505 | 1 | SEAL KIT FOR CYL 8 17 05033 |
| 1 | 8-17-05029 | 2 | CYLINDER HOPPER LIFT |
| 2 | 8-17-05028 | 1 | CYLINDER HOPPER DUMP |
| 3 | 8-17-05030 | 1 | CYLINDER HOPPER ROLL OUT |
| 4 | 2-00-04976 | 2 | FITTING HYD 45 EL 40RS 4SAE |
| 5 | 2-00-04892 | 6 | HYD. ADAPTER SAE TO OR 90 EL |
| 6 | 2-00-04930 | 2 | FITTING UNION TEE ALL ORS4 |

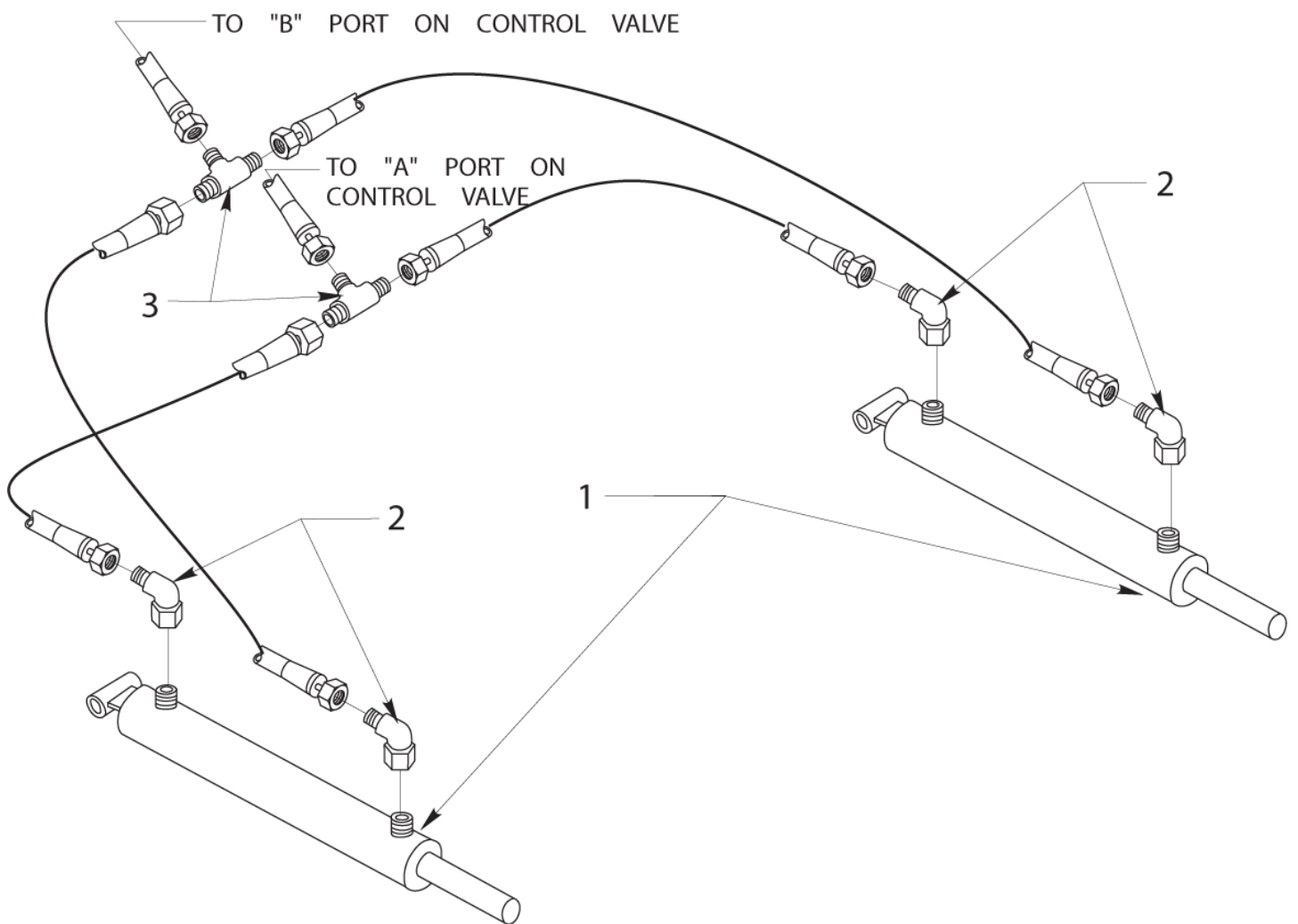
Dump Cylinders w/Fittings (low dump)

3366 from Serial No. 586001

17-11-2012

Part List ID
3366S586001038

51



Dump Cylinders w/Fittings (low dump)

3366 from Serial No. 586001

17-11-2012

Part List ID
3366S86001038

52

| Pos | Part no. | Qty | Description |
|-----|------------|-----|-------------------------------|
| 1 | 56109107 | 2 | SEAL KIT FOR 8 17 05033 |
| 1 | 8-17-05033 | 2 | CYLINDER HOPPER LIFT LOW DUMP |
| 2 | 2-00-04892 | 4 | HYD. ADAPTER SAE TO OR 90 EL |
| 3 | 2-00-04930 | 2 | FITTING UNION TEE ALL ORS4 |

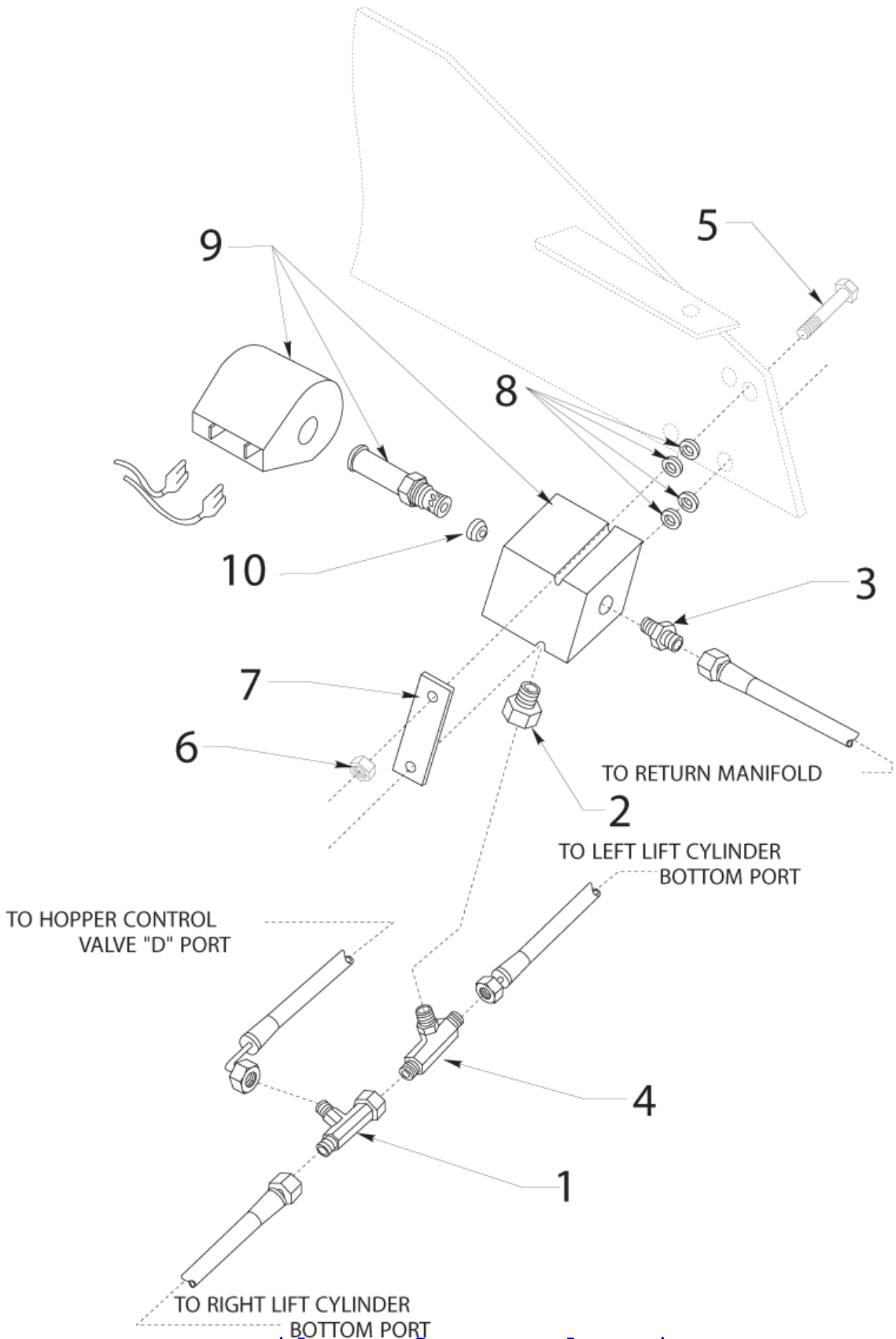
Lift Cylinder Lock-out Valve and Fittings

3366 from Serial No. 586001

17-11-2012

Part List ID
3366S586001039

53



Lift Cylinder Lock-out Valve and Fittings

3366 from Serial No. 586001

17-11-2012

Part List ID
3366S886001039

54

| Pos | Part no. | Qty | Description |
|-----|------------|-----|-------------------------------|
| 1 | 2-00-05162 | 2 | FITTING RUN TEE 4 ORS |
| 2 | 2-00-04917 | 1 | FITTING REDUCER SAE6 TO SAE4 |
| 3 | 2-00-04918 | 1 | FITTING STRAIGHT SAE6 TO ORS4 |
| 4 | 2-00-04919 | 1 | FITTING BRANCH TEE SAE4 ORS4 |
| 5 | 2-00-02589 | 4 | SCW HHC .25 20 X 2.00 GR5 ZN |
| 6 | 2-00-00641 | 2 | NUT INS FIBRE .25 20 ZN PL |
| 7 | 8-08-00590 | 1 | BRACKET SIDE BROOM VALVE MTG |
| 8 | 2-00-03702 | 4 | WSHR FL..625X.281X.063 STL.ZN |
| 9 | 8-88-00044 | 1 | VALVE SOLENOID |
| 10 | 8-88-00056 | 1 | VALVE DISC .081 DIA ORIFICE |

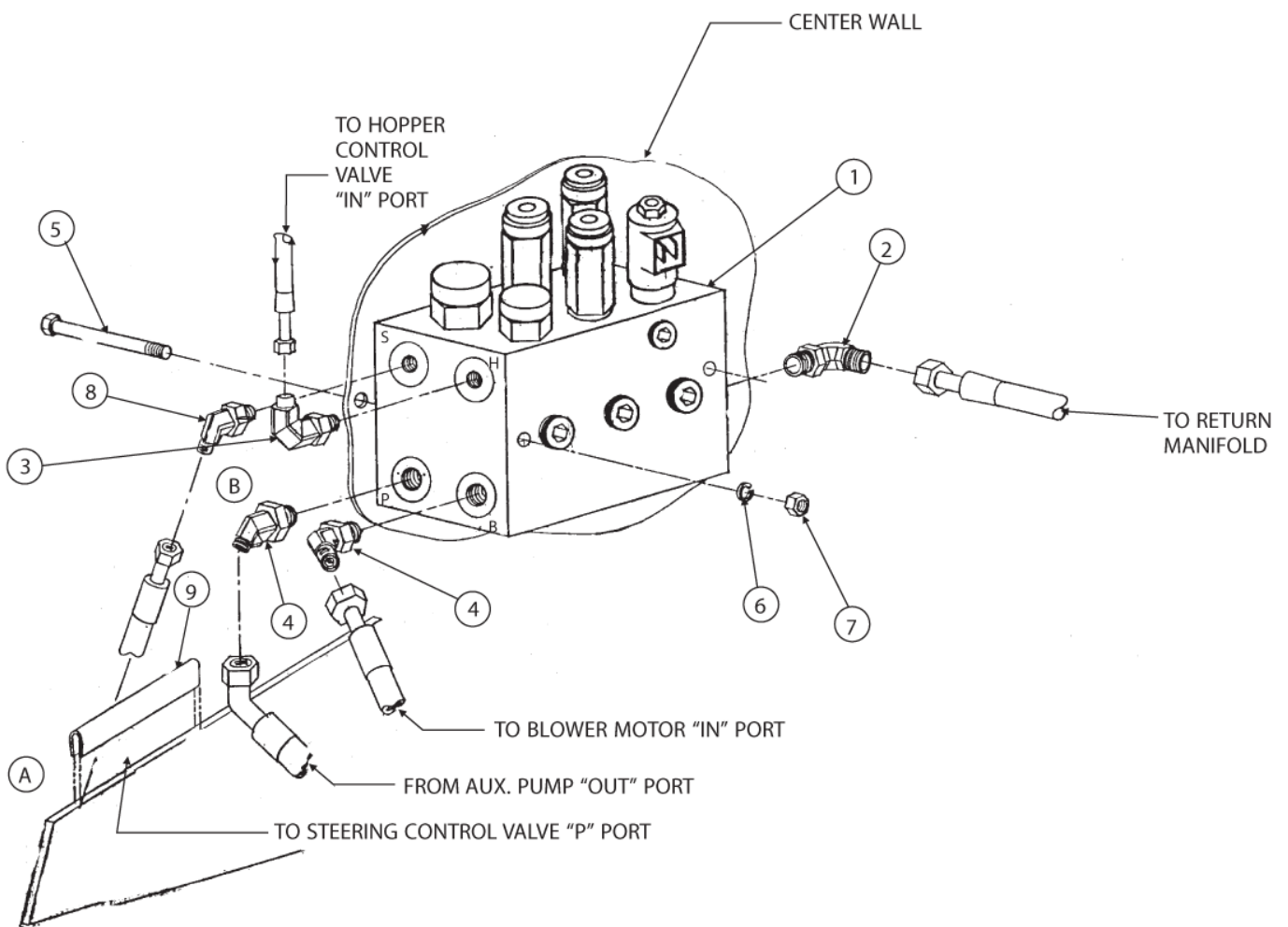
Auxiliary Manifold and Fittings

3366 from Serial No. 586001

17-11-2012

Part List ID
3366S586001040

55



Auxiliary Manifold and Fittings

3366 from Serial No. 586001

17-11-2012

Part List ID
3366S86001040

56

| Pos | Part no. | Qty | Description |
|-----|------------|-----|-------------------------------|
| 1 | 7-14-07004 | 1 | COIL |
| 1 | 8-88-00055 | 1 | VALVE AUXILIARY MANIFOLD |
| 2 | 2-00-04885 | 1 | HYD.FITTING SAE TO OR 90 EL |
| 3 | 2-00-04892 | 1 | HYD. ADAPTER SAE TO OR 90 EL |
| 4 | 2-00-04975 | 1 | FITTING HYD 45 EL 80RS 8SAE |
| 5 | 2-00-04596 | 1 | SCW HHC .25 20 X 3.50 GR 5 ZN |
| 6 | 2-00-00518 | 2 | LK WASH 1/4 MED. SECTION ZN |
| 7 | 2-00-00594 | 2 | NUT HEX STD FIN .25 20 ZN |
| 8 | 2-00-04976 | 1 | FITTING HYD 45 EL 40RS 4SAE |

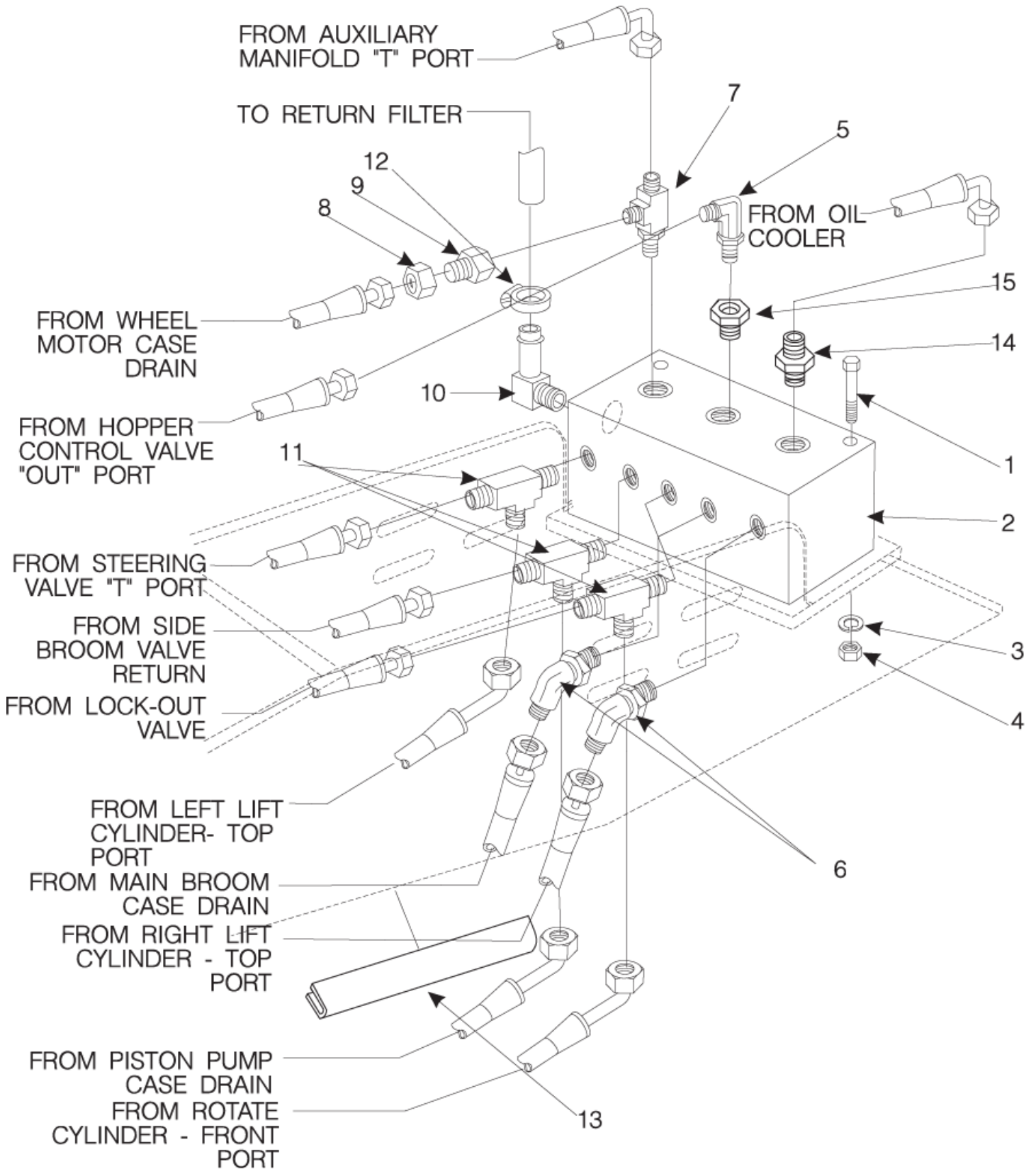
Return Manifold assembly (variable dump)

3366 from Serial No. 586001

17-11-2012

Part List ID
3366S586001041

57



Return Manifold assembly (variable dump)

3366 from Serial No. 586001

17-11-2012

Part List ID
3366S86001041

58

| Pos | Part no. | Qty | Description |
|-----|------------|-----|-------------------------------|
| 1 | 2-00-04596 | 2 | SCW HHC .25 20 X 3.50 GR 5 ZN |
| 2 | 7-48-00019 | 1 | HYD RETURN MANIFOLD |
| 3 | 2-00-00518 | 2 | LK WASH 1/4 MED. SECTION ZN |
| 4 | 2-00-00594 | 2 | NUT HEX STD FIN .25 20 ZN |
| 5 | 2-00-04926 | 3 | FITTING 90 SAE6 TO ORS4 |
| 6 | 2-00-04976 | 3 | FITTING HYD 45 EL 40RS 4SAE |
| 7 | 2-00-04924 | 1 | FITTING RUN TEE SAE8 TO ORS8 |
| 8 | 2-00-04932 | 1 | FITTING REDUCER SAE8 TO SAE6 |
| 9 | 2-00-04929 | 2 | FITTING REDUCER ORS 8 TO 4 |
| 10 | 2-00-05133 | 1 | FITTING ELBOW90 1 NPTX1 HOSE |
| 11 | 2-00-04927 | 2 | FITTING RUN TEE SAE4 TO ORS4 |
| 12 | 2-00-02220 | 1 | CLAMP WITTEK 16 |
| 13 | 7-21-04031 | 2 | EDGING BRUSH DR SUPT |
| 14 | 2-00-04970 | 2 | FITTING HYD STR 8 ORS 8 SAE |
| 15 | 2-00-04932 | 1 | FITTING REDUCER SAE8 TO SAE6 |

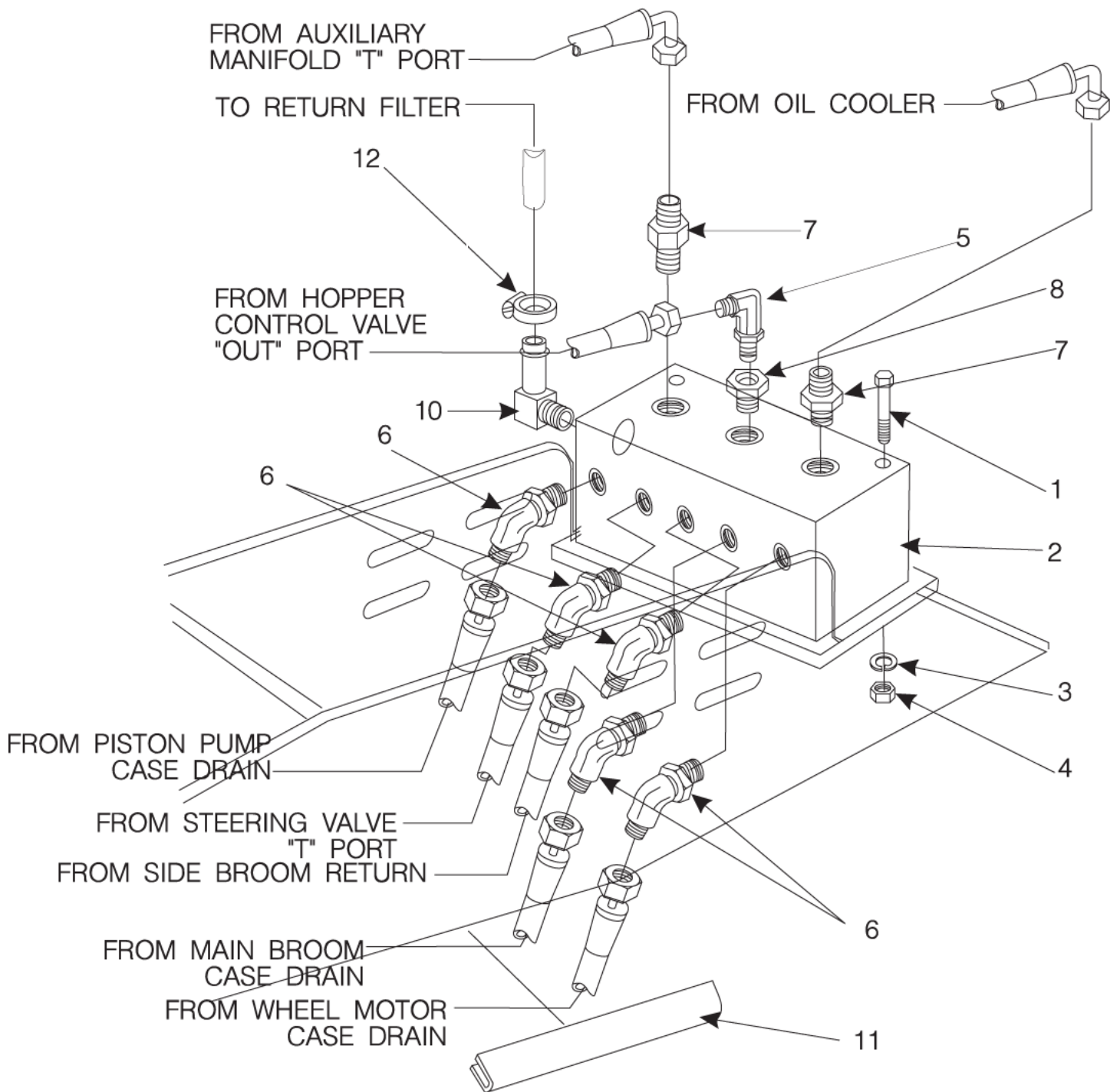
Return Manifold assembly (low dump)

3366 from Serial No. 586001

17-11-2012

Part List ID
3366S586001042

59



Return Manifold assembly (low dump)

3366 from Serial No. 586001

17-11-2012

Part List ID
3366S86001042

60

| Pos | Part no. | Qty | Description |
|-----|------------|-----|-------------------------------|
| 1 | 2-00-04596 | 2 | SCW HHC .25 20 X 3.50 GR 5 ZN |
| 2 | 7-48-00019 | 1 | HYD RETURN MANIFOLD |
| 3 | 2-00-00518 | 2 | LK WASH 1/4 MED. SECTION ZN |
| 4 | 2-00-00594 | 2 | NUT HEX STD FIN .25 20 ZN |
| 5 | 2-00-04926 | 1 | FITTING 90 SAE6 TO ORS4 |
| 6 | 2-00-04976 | 5 | FITTING HYD 45 EL 40RS 4SAE |
| 7 | 2-00-04970 | 1 | FITTING HYD STR 8 ORS 8 SAE |
| 8 | 2-00-04932 | 1 | FITTING REDUCER SAE8 TO SAE6 |
| 10 | 2-00-05133 | 1 | FITTING ELBOW90 1 NPTX1 HOSE |
| 11 | 7-21-04031 | 2 | EDGING BRUSH DR SUPT |
| 12 | 2-00-02220 | 1 | CLAMP WITTEK 16 |

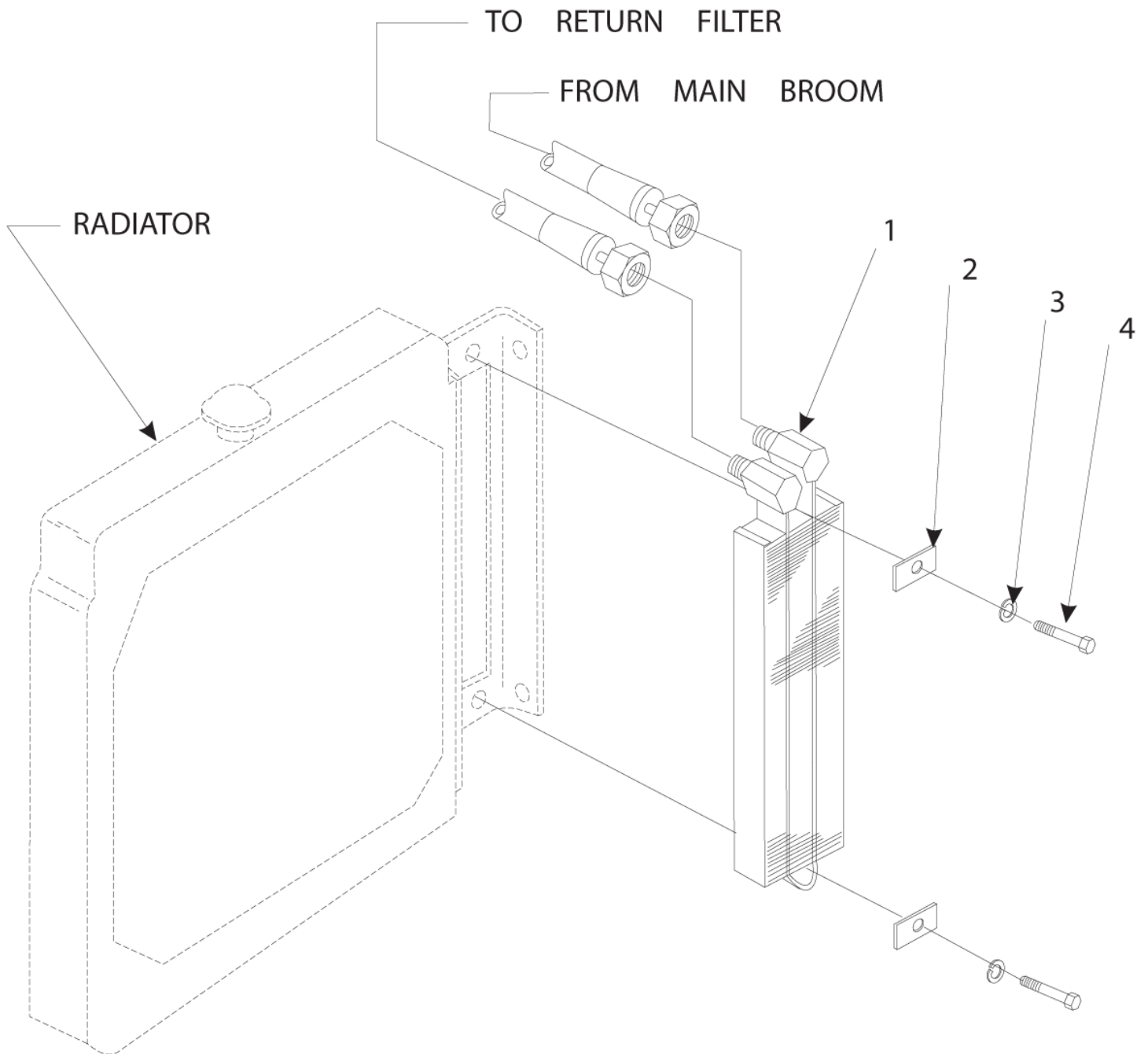
Hydraulic Oil Cooler

3366 from Serial No. 586001

17-11-2012

Part List ID
3366S586001043

61



Hydraulic Oil Cooler

3366 from Serial No. 586001

17-11-2012

Part List ID
3366S86001043

62

| Pos | Part no. | Qty | Description |
|-----|------------|-----|------------------------------|
| 1 | 8-62-01018 | 1 | OIL COOLER |
| 2 | 8-13-07088 | 2 | CLIP OIL COOLER |
| 3 | 2-00-00518 | 2 | LK WASH 1/4 MED. SECTION ZN |
| 4 | 2-00-02589 | 2 | SCW HHC .25 20 X 2.00 GR5 ZN |

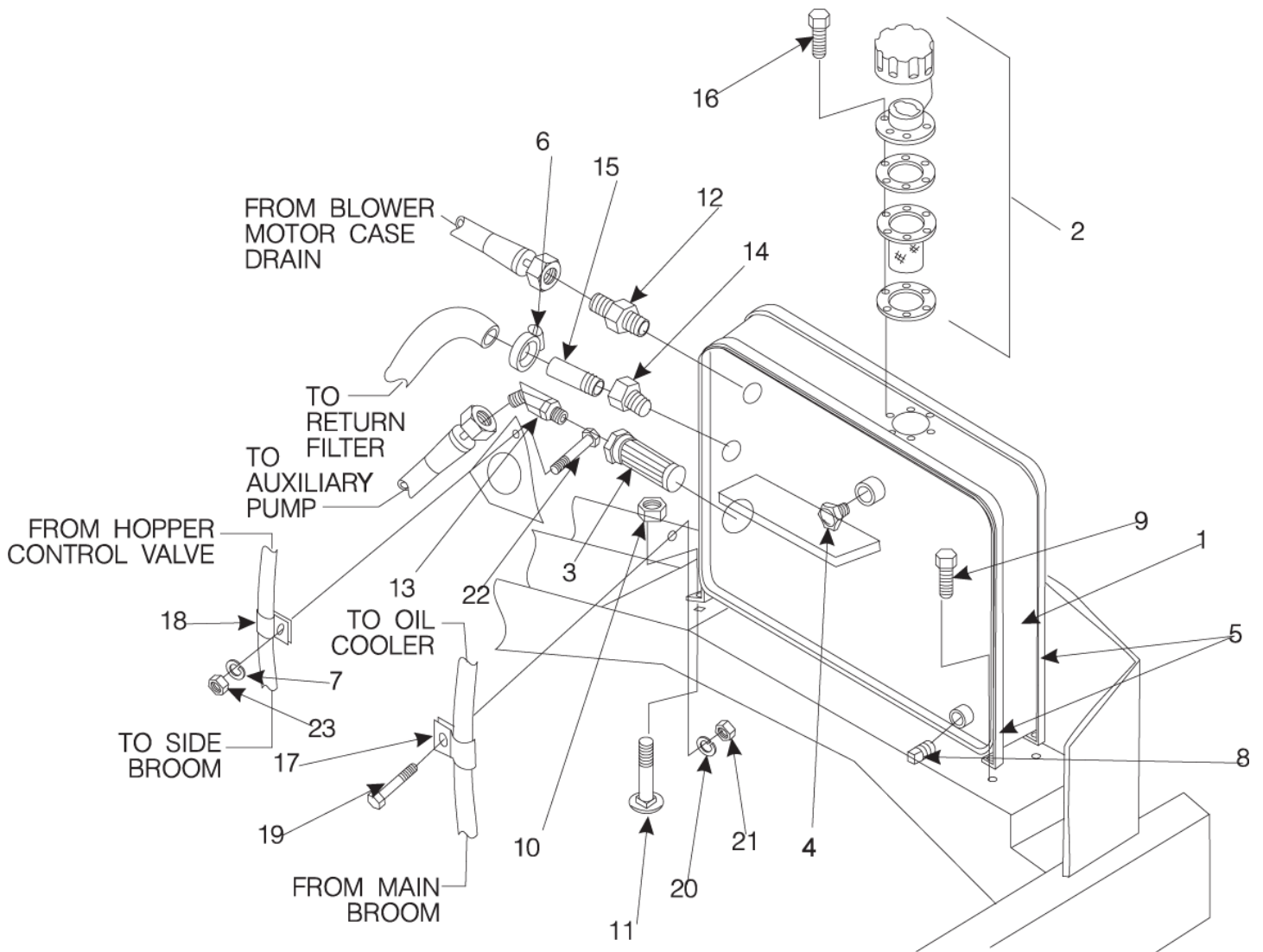
Hydraulic Reservoir and Fittings

3366 from Serial No. 586001

17-11-2012

Part List ID
3366S586001045

63



c0128\9609

Hydraulic Reservoir and Fittings

3366 from Serial No. 586001

17-11-2012

Part List ID
3366S86001045

64

| Pos | Part no. | Qty | Description |
|-----|------------|-----|--------------------------------|
| 1 | 8-83-04036 | 1 | HYDRAULIC RESERVOIR 3366 |
| 2 | 8-11-00026 | 1 | FILLER+FILTER ASSY |
| 3 | 8-24-04115 | 1 | STRAINER HYD RESERVOIR |
| 4 | 8-48-05033 | 1 | SIGHT GLASS HYD. FLUID |
| 5 | 8-79-00114 | 2 | STRAP HYDRAULIC RESERVOIR |
| 6 | 2-00-02220 | 3 | CLAMP WITTEK 16 |
| 7 | 2-00-00518 | 5 | LK WASH 1/4 MED. SECTION ZN |
| 8 | 2-00-02474 | 1 | PLUG PIPE GALV .50 |
| 9 | 2-00-00205 | 4 | BOLT HEX TAP .25 20X1.0 GR 5 |
| 10 | 2-00-00641 | 2 | NUT INS FIBRE .25 20 ZN PL |
| 11 | 2-00-02196 | 4 | BOLT CARR .25 20 X 1.00 G5 ZN |
| 12 | 2-00-04895 | 1 | STRAIGHT THREAD FITTING |
| 13 | 2-00-05037 | 1 | ADAPTER FITTING 45dg ELBOW |
| 14 | 2-00-04572 | 1 | FITTING STEEL |
| 15 | 2-00-03585 | 1 | NIP GALV .75X2 THD ONE END |
| 16 | 2-00-03940 | 6 | SCREW T/CHH 10 24X.50 SPECIAL |
| 17 | 2-00-04564 | 1 | CABLE CLAMP |
| 18 | 2-00-04873 | 1 | CLAMP 1/2 CABLE |
| 19 | 2-00-02708 | 1 | SCW HHM .313 18 X 1.00 GR 5 ZN |
| 20 | 2-00-00530 | 1 | LK WASH 5/16 MED SEC SPL ZN |
| 21 | 2-00-00585 | 2 | NUT HEX FIN .31 18 ZN |
| 22 | 2-00-02196 | 2 | BOLT CARR .25 20 X 1.00 G5 ZN |

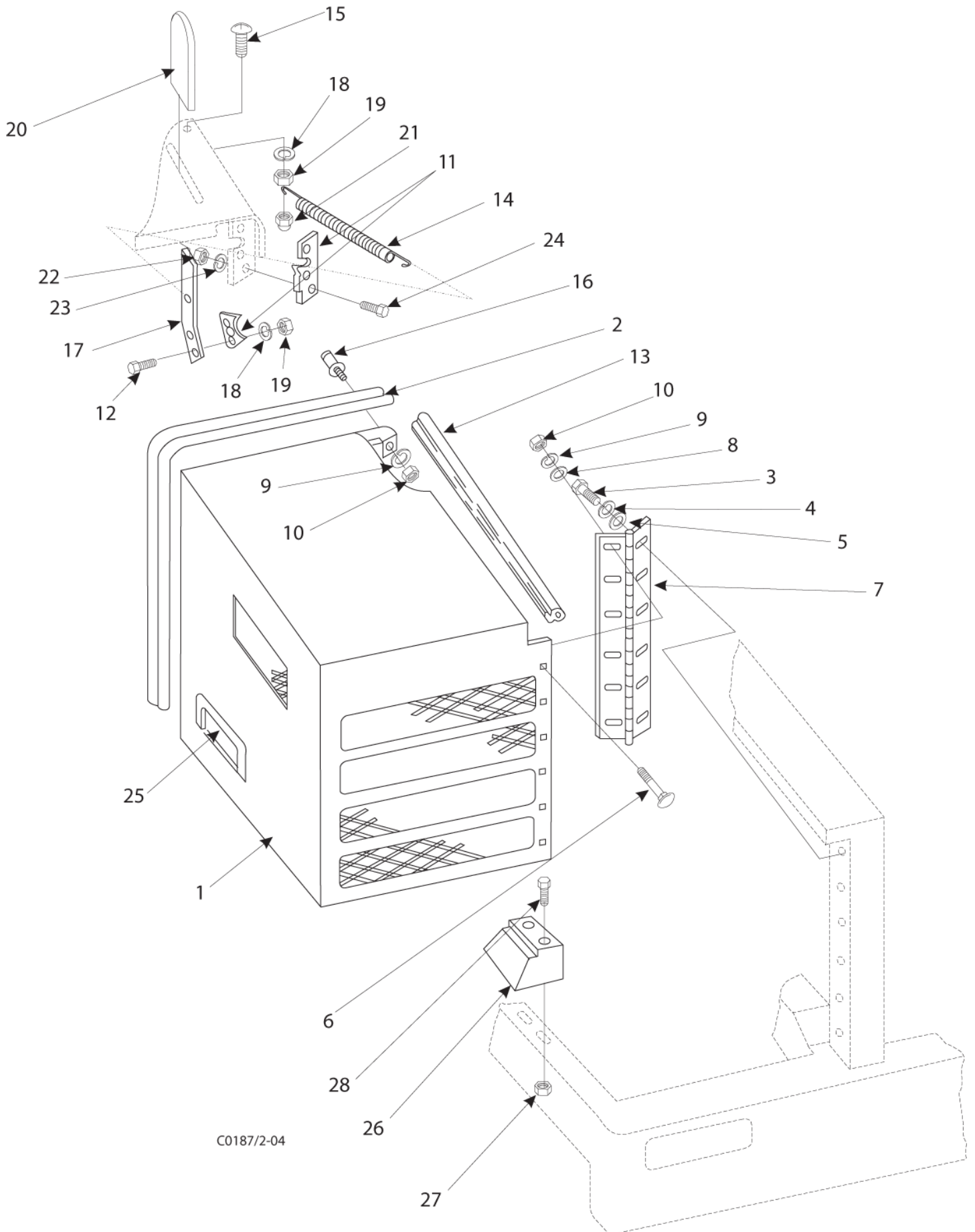
Engine Cover

3366 from Serial No. 586001

17-11-2012

Part List ID
3366S586001047

65



C0187/2-04

Engine Cover

3366 from Serial No. 586001

17-11-2012

Part List ID
3366S8600104/

66

| Pos | Part no. | Qty | Description |
|-----|------------|-----|-------------------------------|
| 1 | 8-16-07338 | 1 | WELDMENT ENGINE COVER |
| 2 | 8-21-04043 | 1 | EDGING ENGINE COVER |
| 3 | 2-00-00232 | 6 | SCW HHC .375 16 X .75 GR5 ZN |
| 4 | 2-00-02310 | 6 | LK WASH HELICAL SPR ZN |
| 5 | 2-00-04801 | 6 | WSHR FLAT .875X.380X.120TH ZN |
| 6 | 2-00-03569 | 6 | BOLT CARR.31 18 X .75 GR5 ZN |
| 7 | 8-32-00042 | 1 | HINGE ENGINE COVER |
| 8 | 2-00-00409 | 6 | WSHR FLAT.688X.344X.063 STL |
| 9 | 2-00-00530 | 7 | LK WASH 5/16 MED SEC SPL ZN |
| 10 | 2-00-00585 | 7 | NUT HEX FIN .31 18 ZN |
| 11 | 8-41-00046 | 1 | LATCH ROTARY ENGINE COVER |
| 12 | 2-00-04794 | 2 | SCREW 10 24 X.63 GR8 ZN |
| 13 | 8-21-04042 | 1 | EDGING ENGINE COVER SEAL |
| 14 | 7-76-00106 | 1 | SPRING HANDLE RETURN |
| 15 | 2-00-03063 | 1 | SCREW THM 10 24 X .75 ZN |
| 16 | 7-55-08116 | 1 | PIN STRIKER |
| 17 | 8-41-05073 | 1 | LEVER LATCH RELEASE ENG COV |
| 18 | 2-00-00519 | 3 | LK WASH 10 MED SEC ZN |
| 19 | 2-00-00605 | 3 | NUT HEX MAC SCR 10 24 STL/ZN |
| 20 | 7-31-06061 | 1 | GRIP COVER LATCH |
| 21 | 2-00-01246 | 1 | 10 24 NYLON INSERT THIN |
| 22 | 2-00-00594 | 3 | NUT HEX STD FIN .25 20 ZN |
| 23 | 2-00-00518 | 3 | LK WASH 1/4 MED. SECTION ZN |
| 24 | 2-00-02587 | 3 | SCW HHC .25 20 X 1.250 GR5 ZN |
| 25 | 8-21-04038 | 1 | EDGING ENGINE COVER |
| 26 | 7-78-05016 | 1 | STOP ENGINE COVER |
| 27 | 2-00-00641 | 2 | NUT INS FIBRE .25 20 ZN PL |
| 28 | 2-00-01769 | 2 | SCW HHC .25 20 X 1.75 GR5 ZN |

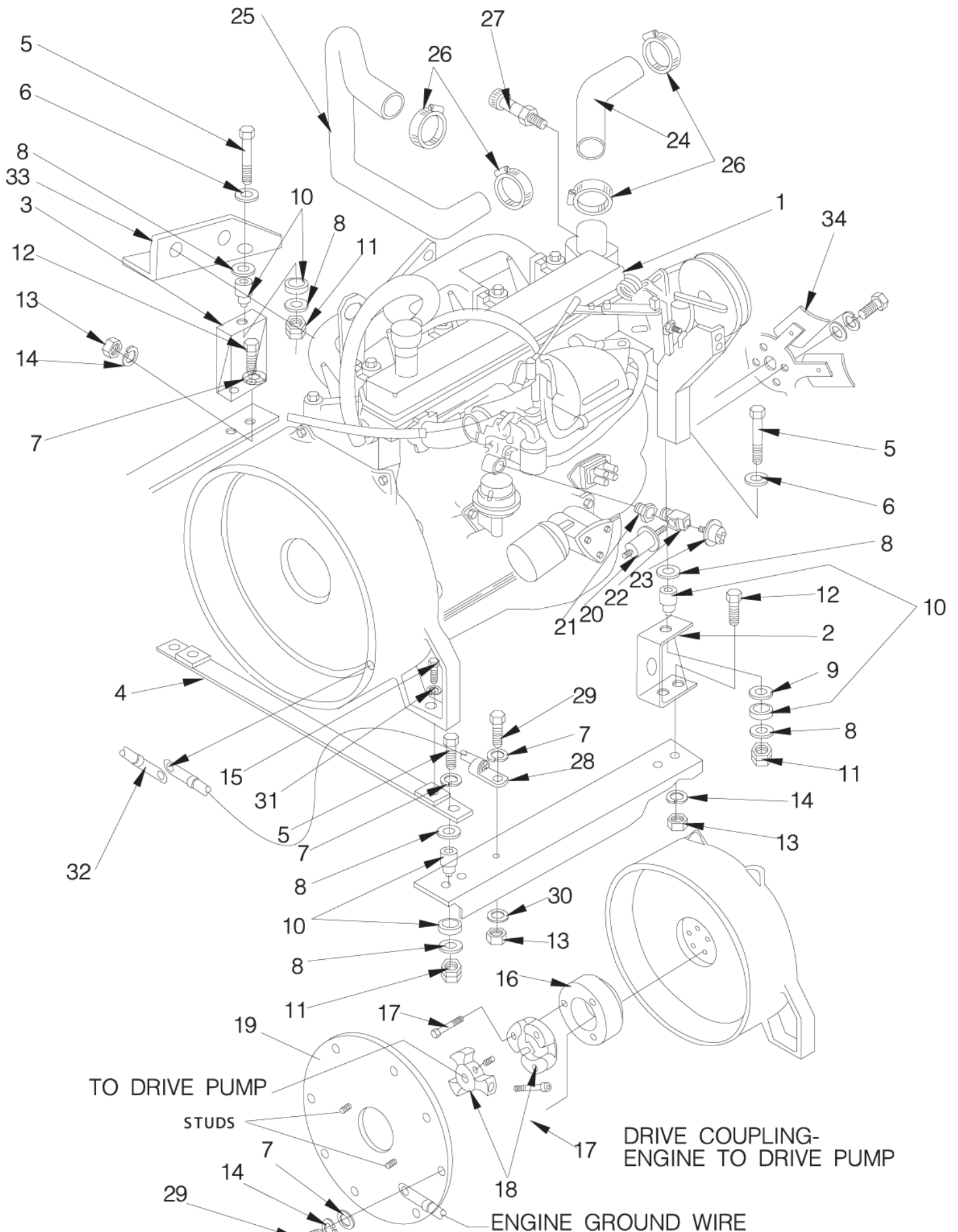
Ford VSG 413 Engine

3366 from Serial No. 586001

17-11-2012

Part List ID
3366S586001049

67



Ford VSG 413 Engine

3366 from Serial No. 586001

17-11-2012

Part List ID
3366S86001049

68

| Pos | Part no. | Qty | Description |
|-----|------------|-----|--------------------------------|
| 2 | 8-08-00679 | 1 | WELDMENT OUTB D FRT ENG MOUNT |
| 3 | 8-08-00674 | 1 | WELDMENT INBOARD FRT ENG MOUNT |
| 4 | 8-08-00574 | 1 | WLDMT MOTOR MOUNT REAR |
| 5 | 2-00-04699 | 4 | SCREW HHC .375 16X2.75 GRADE8 |
| 6 | 2-00-03266 | 4 | WSHR FAN MOD 772 |
| 7 | 2-00-00402 | 3 | WSHR FL..750X.391X.093 STL ZN |
| 8 | 2-00-04851 | 8 | WASHER 1.56 ODX .391 ID X .090 |
| 9 | 8-75-01163 | 2 | SPACER ZINC PL. PER B/P |
| 10 | 8-75-01155 | 4 | MOUNT ENGINE |
| 11 | 2-00-00643 | 4 | NUT INS FIBRE .38 16 ZN PL |
| 12 | 2-00-00209 | 5 | SCW HHC.375 16 X 1.25 GR 5 ZN |
| 13 | 2-00-02360 | 5 | NUT HEX FIN .38 16 ZINC PL |
| 14 | 2-00-02310 | 11 | LK WASH HELICAL SPR ZN |
| 15 | 2-00-01254 | 2 | SCW HHC .50 13 X 1.50 gr 5 zn |
| 16 | 8-58-05225 | 1 | ADAPTER PLATE FLYWHEEL |
| 18 | 0885-059 | 1 | COUPLING ASSEMBLY |
| 19 | 8-58-05171 | 1 | PLATE MTG PUMP |
| 20 | 8-69-00005 | 1 | SENDER OIL PRESSURE |
| 21 | 56740214 | 1 | BUSHING PIPE BR .25X .12 |
| 23 | 8-82-00046 | 1 | SWITCH PRESSURE |
| 24 | 8-33-02161 | 1 | HOSE UPPER RADIATOR |
| 25 | 8-33-02248 | 1 | HOSE LOWER RADIATOR |
| 26 | 2-00-03404 | 4 | CLAMP WITTECK C24P |
| 27 | 8-69-00006 | 1 | SENDER WATER TEMPERATURE |
| 28 | 8-90-07328 | 1 | WIRE CONTACTOR TO SHUNT |
| 29 | 2-00-00209 | 6 | SCW HHC.375 16 X 1.25 GR 5 ZN |
| 30 | 2-00-03829 | 4 | LK WASH INT/EXT TOOTH ZN |
| 31 | 2-00-02312 | 2 | LK WASHER 1/2 ID MED SEC ZN |
| 32 | 7-90-07262 | 1 | CABLE BATTERY NEGATIVE |
| 34 | 8-23-00011 | 1 | FAN ENGINE |

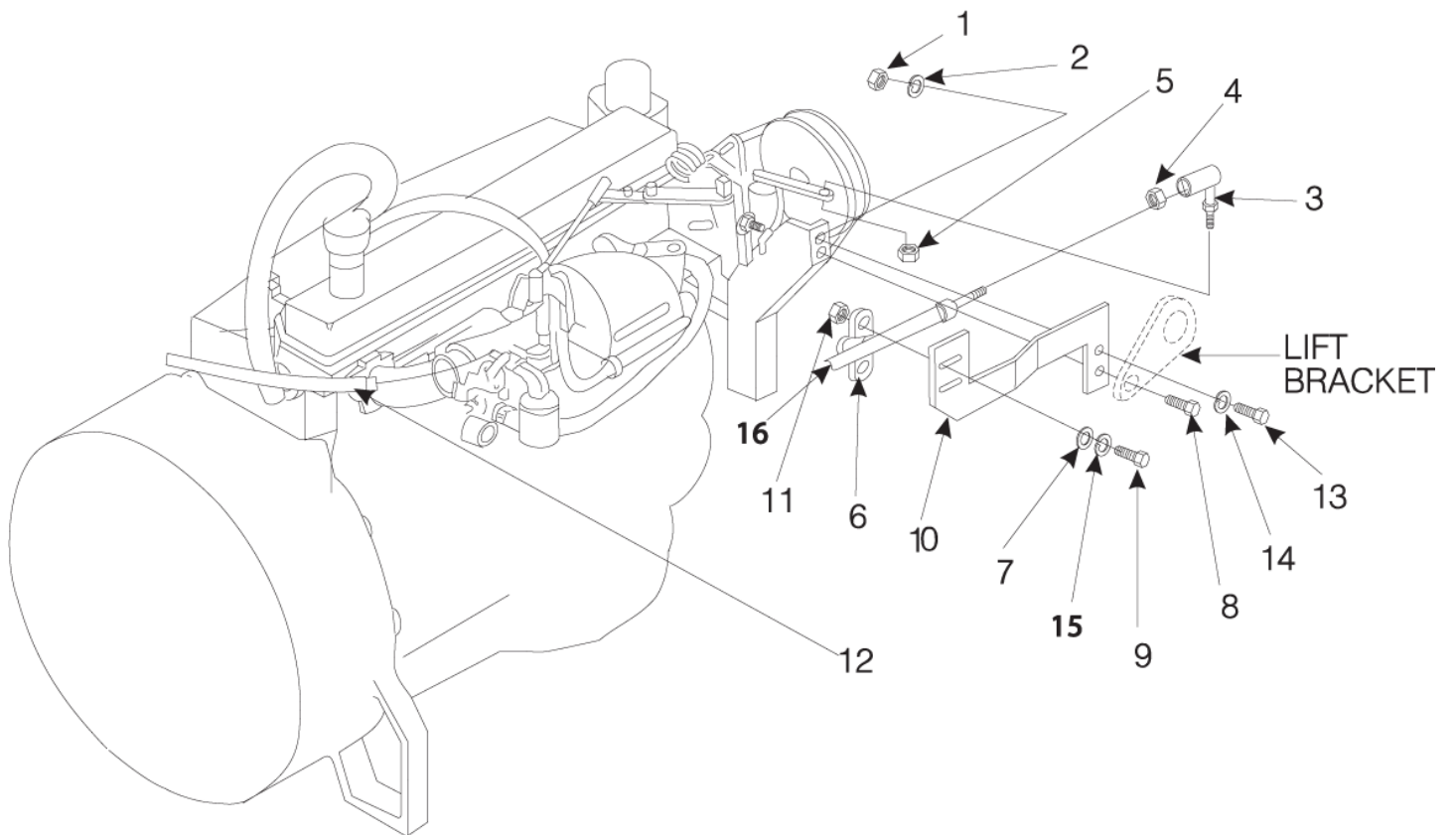
Throttle and Choke Linkage (Ford VSG 413)

3366 from Serial No. 586001

17-11-2012

Part List ID
3366S586001050

69



Throttle and Choke Linkage (Ford VSG 413)

3366 from Serial No. 586001

17-11-2012

Part List ID
3366S86001050

70

| Pos | Part no. | Qty | Description |
|-----|------------|-----|--------------------------------|
| 1 | 2-00-02360 | 1 | NUT HEX FIN .38 16 ZINC PL |
| 2 | 2-00-02310 | 1 | LK WASH HELICAL SPR ZN |
| 3 | 8-25-02036 | 1 | BALL JOINT CONNECTOR |
| 4 | 2-00-00626 | 1 | NUT HEX MAC SCR 10 32 ZN |
| 5 | 2-00-00633 | 1 | NUT INS FIBRE RH .25 28 ZN PL |
| 6 | 8-13-07094 | 1 | CONDUIT CLAMP |
| 7 | 2-00-02296 | 3 | LK WASH EXT TOOTH STL/ZN |
| 8 | 2-00-00233 | 1 | SCREW HHC .375 16 X 1.00 GR ZN |
| 9 | 2-00-04794 | 2 | SCREW 10 24 X.63 GR8 ZN |
| 10 | 8-08-00706 | 1 | BRACKET THROTTLE CABLE |
| 11 | 2-00-01246 | 1 | 10 24 NYLON INSERT THIN |
| 12 | 8-16-00021 | 1 | CABLE CHOKE |
| 13 | 2-00-00208 | 1 | SCW HHC .313 18 X .75 GR5 ZN |
| 14 | 2-00-00530 | 1 | LK WASH 5/16 MED SEC SPL ZN |
| 15 | 2-00-00426 | 2 | WSHR FL .500X.219X.063 STL.ZN |
| 16 | 7-10-00024 | 1 | CABLE THROTTLE 7700 DIESEL |

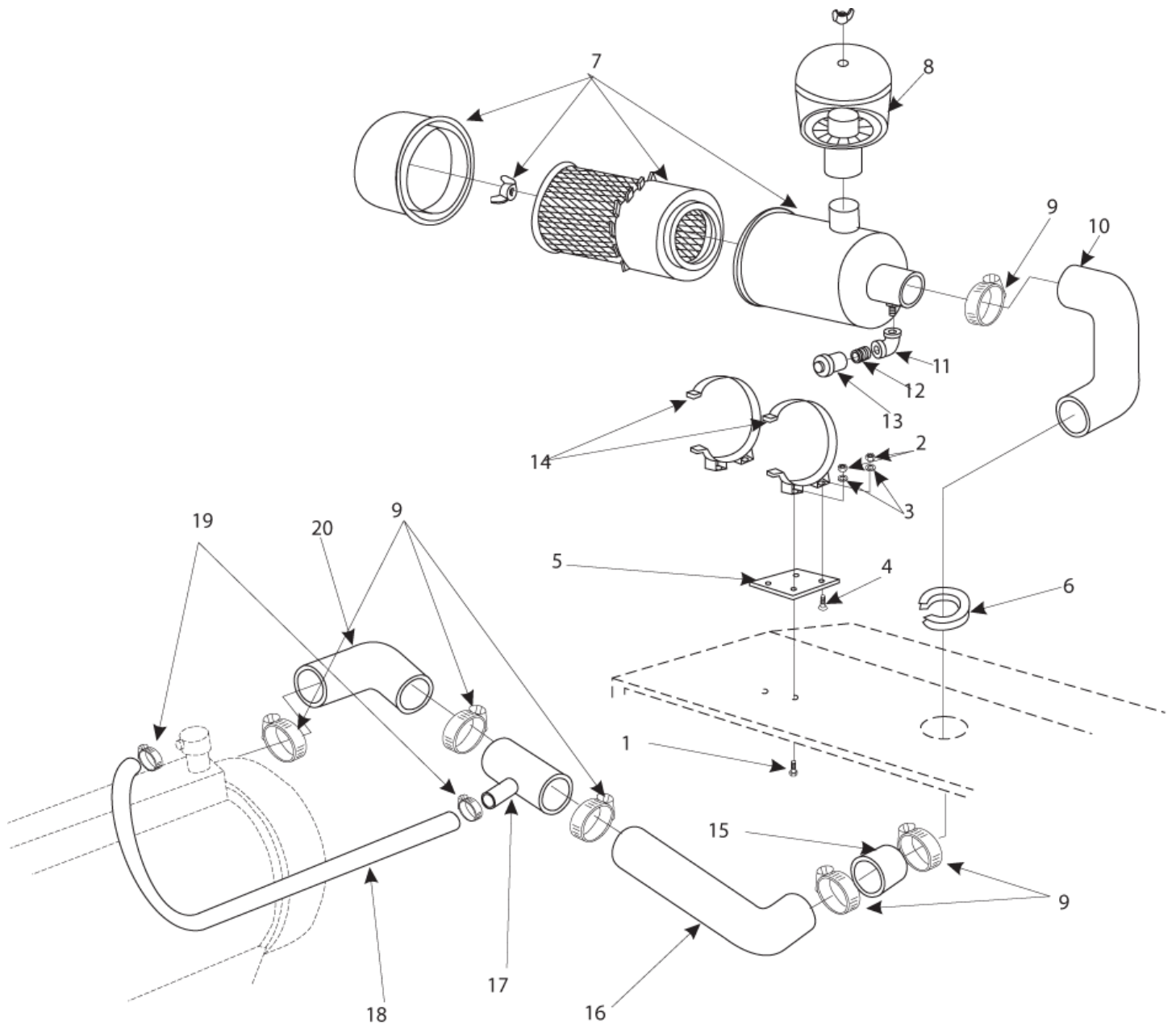
Intake System (Ford VSG 413)

3366 from Serial No. 586001

17-11-2012

Part List ID
3366S586001051

71



Intake System (Ford VSG 413)

3366 from Serial No. 586001

17-11-2012

Part List ID
3366S86001051

72

| Pos | Part no. | Qty | Description |
|-----|------------|-----|--------------------------------|
| 1 | 2-00-00205 | 2 | BOLT HEX TAP .25 20X1.0 GR 5 |
| 2 | 2-00-00594 | 4 | NUT HEX STD FIN .25 20 ZN |
| 3 | 2-00-00518 | 4 | LK WASH 1/4 MED. SECTION ZN |
| 4 | 2-00-03027 | 2 | SCREW HSFHC .25 20 X .63 ZN |
| 5 | 8-58-05263 | 1 | PLATE AIR CLEANER MT 3366 XP |
| 6 | 7-21-04022 | 1 | EDGING |
| 7 | 8-24-04100 | 1 | AIR CLEANER ASSEMBLY |
| 8 | 8-24-04092 | 1 | PRE CLEANER ASSEMBLY |
| 9 | 2-00-02217 | 5 | CLAMP HOSE HS 40 |
| 10 | 8-33-02272 | 1 | HOSE MOLDED AIR INTAKE |
| 11 | 2-00-03641 | 1 | ELBOW 90 DEG .125 PIPE MI BLK |
| 12 | 2-95-02519 | 1 | NIP PIPE BLK CLOSE .125X.75 |
| 13 | 7-24-04087 | 1 | FILTER SERVICE INDICATOR 20 WC |
| 14 | 8-24-04093 | 2 | BAND ASSEMBLY |
| 15 | 8-87-02110 | 1 | TUBE AIR INLET |
| 16 | 8-33-02236 | 1 | HOSE ELBOW AIR INLET /SE |
| 17 | 8-87-02107 | 1 | WELDMENT AIR INLET TUBE |
| 18 | 8-33-02155 | 1 | HOSE PCV TO CARBURATOR |
| 19 | 2-00-03407 | 2 | CLAMP WITTECK 10P |
| 20 | 8-33-02260 | 1 | HOSE AIR |

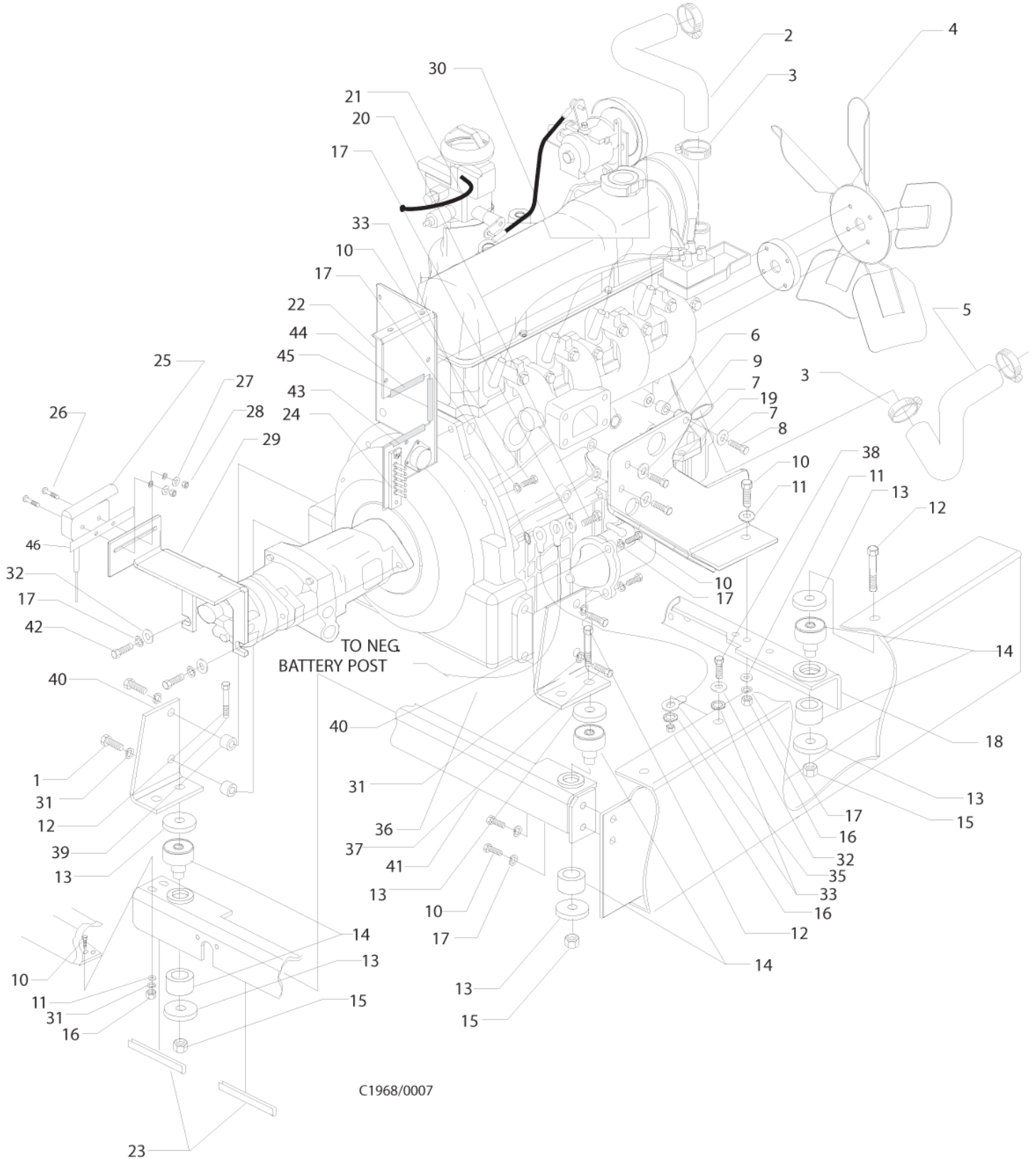
Ford LRG 425 Engine

3366 from Serial No. 586001

17-11-2012

Part List ID
3366S586001053

73



Ford LRG 425 Engine

3366 from Serial No. 586001

17-11-2012

Part List ID
3366S86001053

74

| Pos | Part no. | Qty | Description |
|-----|------------|-----|--------------------------------|
| 1 | 2-00-02692 | 1 | SCW HHC .50 20 X 1.75 |
| 2 | 8-33-02337 | 1 | HOSE UPPER RADIATOR |
| 3 | 2-00-03404 | 4 | CLAMP WITTECK C24P |
| 4 | 7-23-00018 | 1 | FAN ENGINE VENDOR 556S 15.5 |
| 5 | 8-33-02336 | 1 | HOSE LOWER RADIATOR |
| 6 | 8-75-01210 | 1 | SPACER ENGINE MOUNT |
| 7 | 2-00-02311 | 2 | LK WSH MED SEC SPL ZN 7/16 BLT |
| 8 | 2-00-05328 | 1 | SCREW HHC M10 X 1.50 X 50MM |
| 9 | 7-08-00829 | 1 | MOTOR MOUNT BRKT. |
| 10 | 2-00-00209 | 7 | SCW HHC .375 16 X 1.25 GR 5 ZN |
| 11 | 2-00-03979 | 3 | WSHR FL 1.0X.438 X.064 .104 TH |
| 12 | 2-00-02617 | 3 | SCW HHC .50 13 X 3.25 GR5 ZN |
| 13 | 2-00-05067 | 6 | WSHR FLAT 1.750X.531X.100 STL. |
| 14 | 7-35-00017 | 3 | ISOLATOR ENGINE MOUNT |
| 15 | 2-00-04936 | 3 | NUT INS FIBRE .50 13 ZINC |
| 16 | 2-00-02360 | 3 | NUT HEX FIN .38 16 ZINC PL |
| 17 | 2-00-02310 | 9 | LK WASH HELICAL SPR ZN |
| 18 | 7-81-00132 | 1 | WELDMENT FRONT ENGINE SUPPORT |
| 19 | 2-00-05005 | 2 | SCW HHC M10X1.50X30MM GR8.8 BO |
| 20 | 2-00-02599 | 1 | SCREW HHC .375 16 X 2.25 GR5 |
| 21 | 7-16-00016 | 1 | CABLE CHOKE CONTROL |
| 22 | 7-08-00895 | 1 | BRACKET AIR CLEANER FORD 425 |
| 23 | 7-21-04031 | 1 | EDGING BRUSH DR SUPT |
| 24 | 8-06-05006 | 1 | BLOCK TERMINAL FORD 423 ENG |
| 25 | 8-82-00058 | 1 | SWITCH |
| 26 | 2-00-00090 | 2 | SCW PH.RHM 8 32 X 1.50 ZN |
| 27 | 2-00-00441 | 2 | WSHR FLAT .438X.200X.036 BRASS |
| 28 | 2-00-01372 | 2 | NUT INS FIBRE 8 32 STL/ZN |
| 29 | 7-08-00825 | 1 | BRACKET SWITCH MOUNT FORD |
| 30 | 0877-065 | 1 | ENGINE FORD LRG 425 LC |
| 31 | 2-00-02312 | 5 | LK WASHER 1/2 ID MED SEC ZN |
| 32 | 2-00-00402 | 3 | WSHR FL..750X.391X.093 STL ZN |
| 33 | 2-00-03829 | 3 | LK WASH INT/EXT TOOTH ZN |
| 34 | 2-00-00216 | 1 | SCW HHC .375 16 X 2.00 GR 5 ZN |
| 35 | 8-90-07328 | 1 | WIRE CONTACTOR TO SHUNT |
| 36 | 7-90-07262 | 1 | CABLE BATTERY NEGATIVE |
| 37 | 2-00-02689 | 2 | SCW HHC .50 20 X 1.00 GR5 ZN |
| 38 | 2-00-00232 | 1 | SCW HHC .375 16 X .75 GR5 ZN |
| 39 | 7-75-01187 | 2 | SPACER ENGINE MOUNT FORD 425 |
| 40 | 7-08-00919 | 2 | BRACKET OUTBOARD ENG. MOUNT425 |
| 41 | 7-81-00140 | 1 | ENGINE SUPPORT WELDMENT |
| 42 | 2-00-00234 | 2 | SCW HHC .375 16 X 1.50 GR5 ZN |
| 43 | 7-21-04028 | 1 | EDGING L.H. COVER |

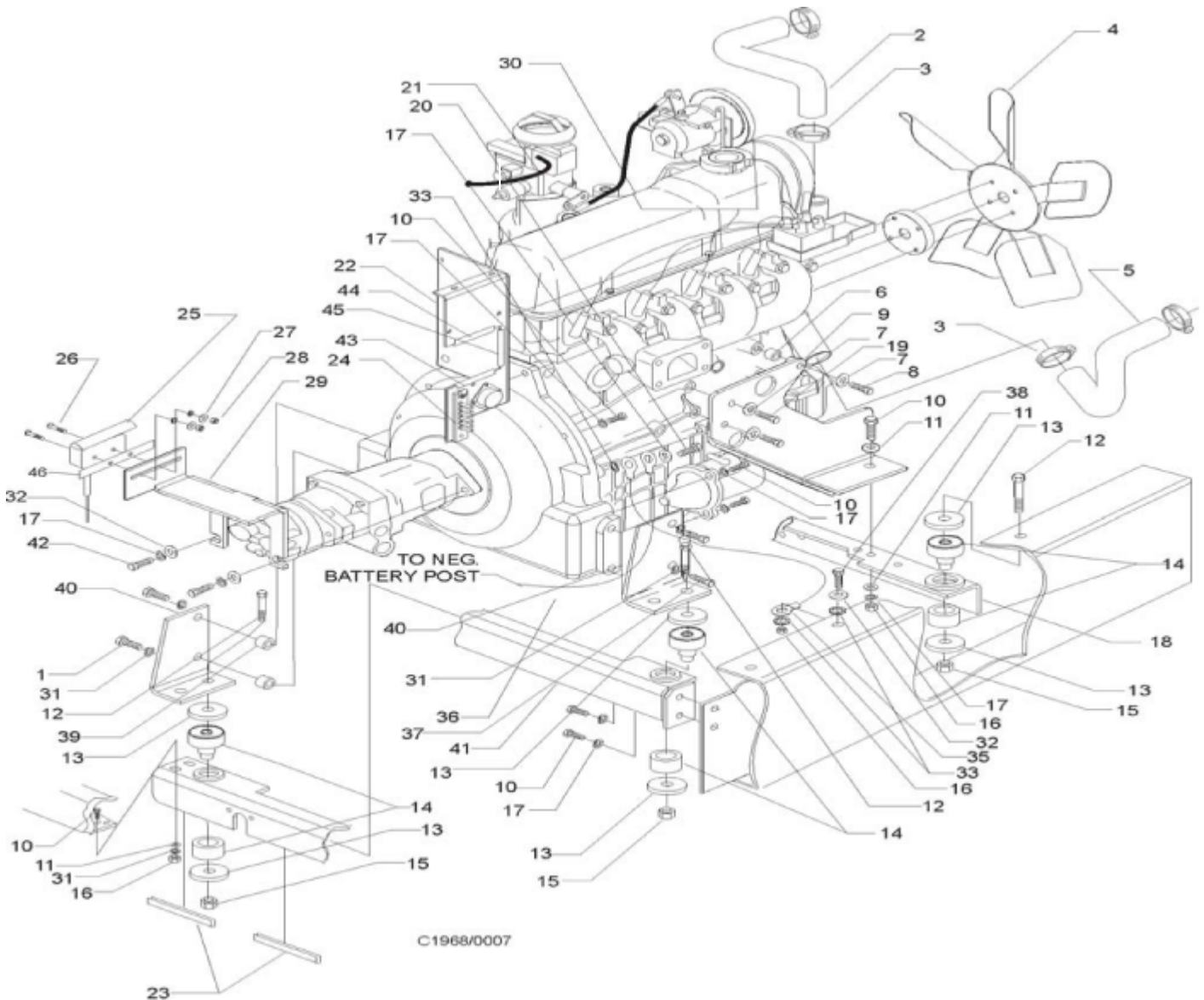
Throttle and Choke Linkage (Ford VSG 425)

3366 from Serial No. 586001

17-11-2012

Part List ID
3366S586001054

75



Throttle and Choke Linkage (Ford VSG 425)

3366 from Serial No. 586001

17-11-2012

Part List ID
3366S886001054

76

| Pos | Part no. | Qty | Description |
|-----|------------|-----|--------------------------------|
| 1 | 8-16-00021 | 1 | CABLE CHOKE |
| 2 | 8-10-00033 | 1 | CABLE THROTTLE |
| 3 | 2-00-04794 | 2 | SCREW 10 24 X63 GR8 ZN |
| 4 | 8-13-07094 | 1 | CONDUIT CLAMP |
| 5 | 2-00-00498 | 2 | LK WASH EXT TH. ZN |
| 6 | 2-00-00626 | 1 | NUT HEX MAC SCR 10 32 ZN |
| 7 | 8-25-02036 | 1 | BALL JOINT CONNECTOR |
| 8 | 2-00-02708 | 2 | SCW HHM .313 18 X 1.00 GR 5 ZN |
| 9 | 2-00-00633 | 2 | NUT INS FIBRE RH .25 28 ZN PL |
| 10 | 2-00-00644 | 2 | NUT INS FIBRE .31 18 ZN PL |
| 11 | 2-00-01246 | 2 | 10 24 NYLON INSERT THIN |
| 12 | 2-00-00426 | 2 | WSHR FL .500X.219X.063 STL.ZN |
| 13 | 8-08-00704 | 1 | BRACKET - THROTTLE CABLE |

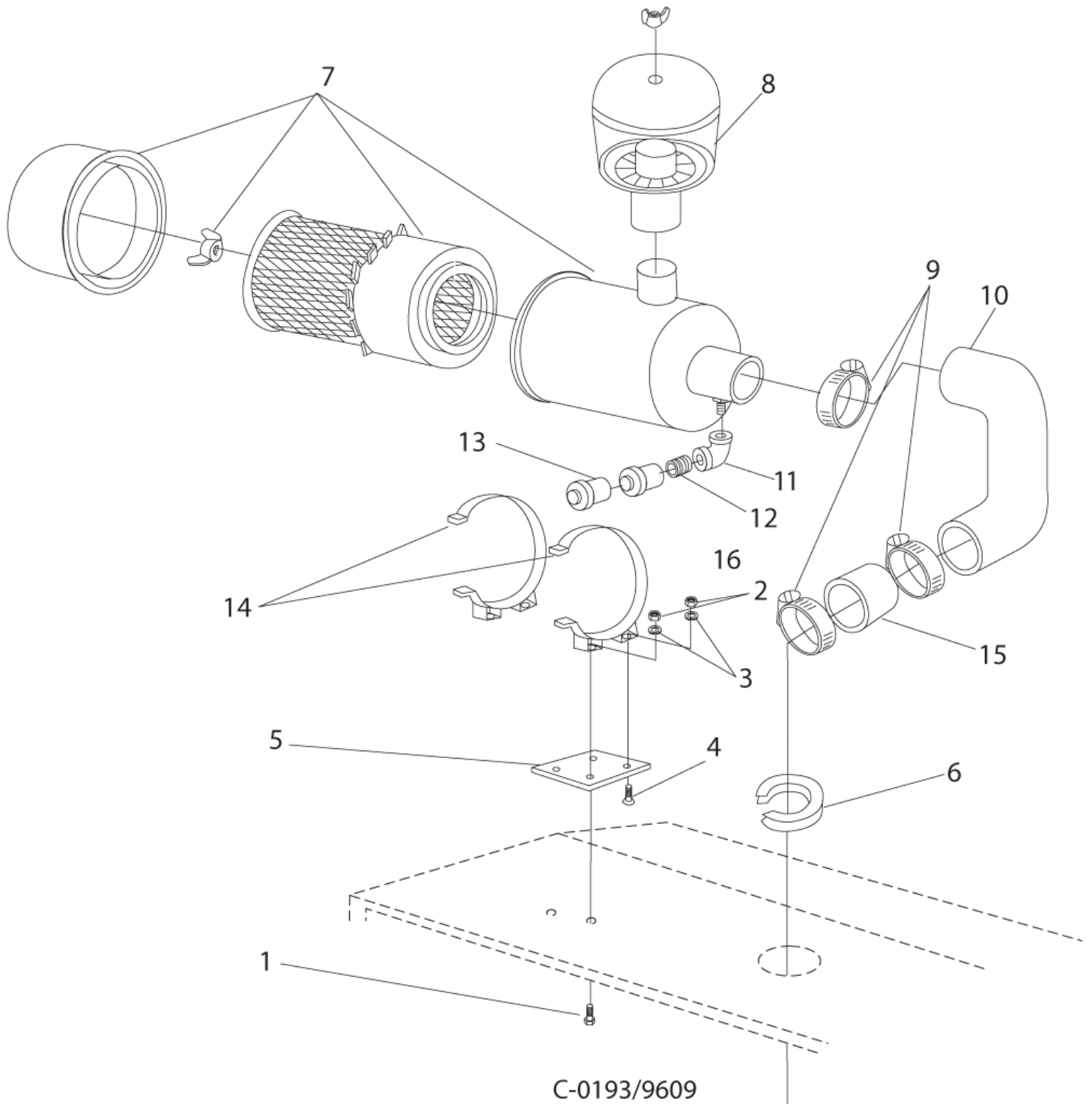
Intake System (Ford VSG 425)

3366 from Serial No. 586001

17-11-2012

Part List ID
3366S586001055

77



Intake System (Ford VSG 425)

3366 from Serial No. 586001

17-11-2012

Part List ID
3366S86001055

78

| Pos | Part no. | Qty | Description |
|-----|------------|-----|--------------------------------|
| 1 | 2-00-00205 | 2 | BOLT HEX TAP .25 20X1.0 GR 5 |
| 2 | 2-00-00594 | 4 | NUT HEX STD FIN .25 20 ZN |
| 3 | 2-00-00518 | 4 | LK WASH 1/4 MED. SECTION ZN |
| 4 | 2-00-03027 | 2 | SCREW HSFHC .25 20 X .63 ZN |
| 5 | 8-58-05263 | 1 | PLATE AIR CLEANER MT 3366 XP |
| 6 | 7-21-04022 | 1 | EDGING |
| 7 | 8-24-04100 | 1 | AIR CLEANER ASSEMBLY |
| 8 | 8-24-04092 | 1 | PRE CLEANER ASSEMBLY |
| 9 | 2-00-02217 | 5 | CLAMP HOSE HS 40 |
| 10 | 8-33-02272 | 1 | HOSE MOLDED AIR INTAKE |
| 11 | 2-00-03641 | 1 | ELBOW 90 DEG .125 PIPE MI BLK |
| 12 | 2-95-02519 | 1 | NIP PIPE BLK CLOSE .125X.75 |
| 13 | 7-24-04087 | 1 | FILTER SERVICE INDICATOR 20 WC |
| 14 | 8-24-04093 | 1 | BAND ASSEMBLY |
| 15 | 8-87-02110 | 1 | TUBE AIR INLET |

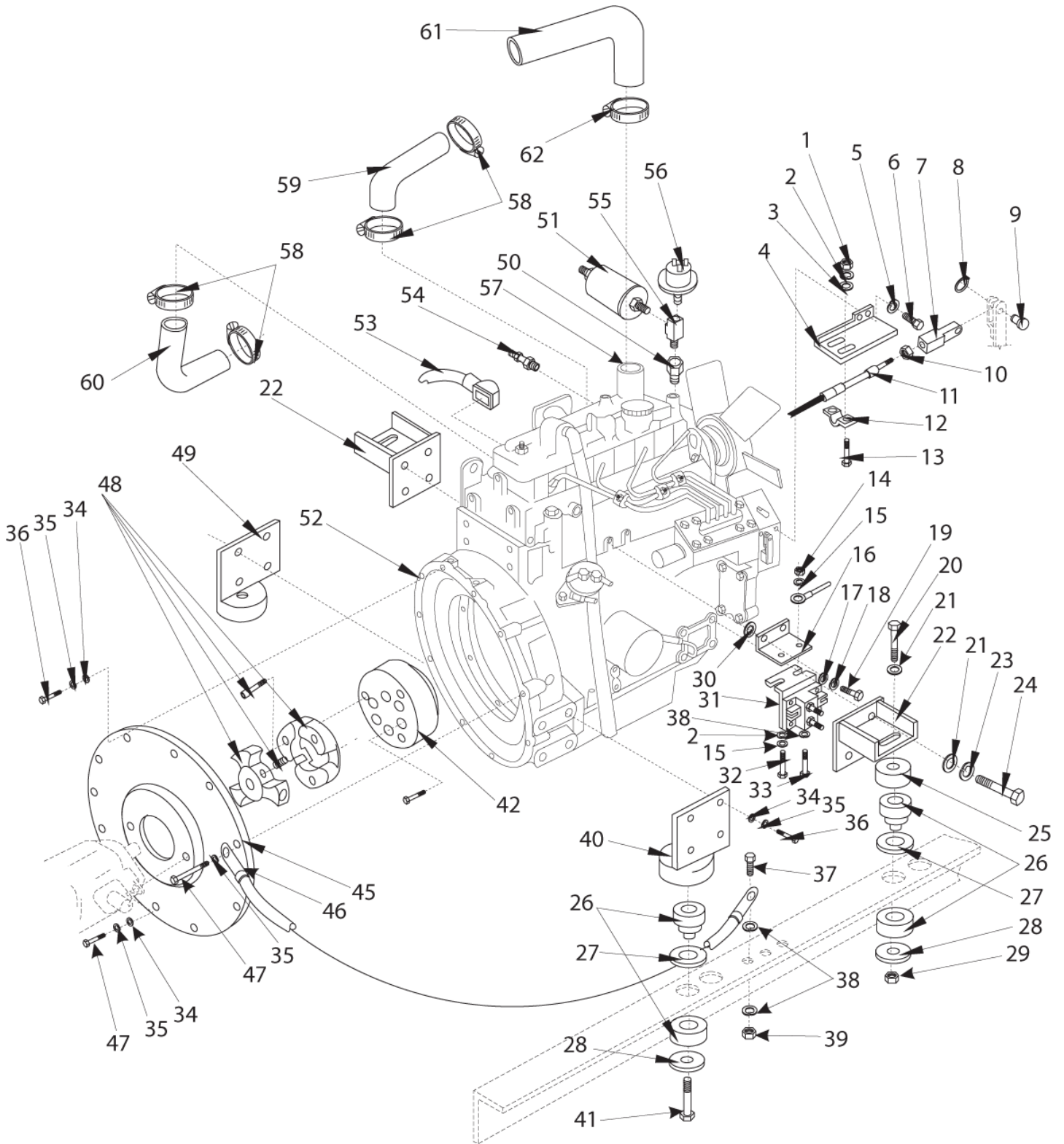
Perkins 104.19 Diesel Engine

3366 from Serial No. 586001

17-11-2012

Part List ID
3366S586001057

79



Perkins 104.19 Diesel Engine

3366 from Serial No. 586001

17-11-2012

Part List ID
3366S8600105/

80

| Pos | Part no. | Qty | Description |
|-----|------------|-----|--------------------------------|
| 1 | 2-00-00233 | 19 | SCREW HHC .375 16 X 1.00 GR ZN |
| 2 | 2-00-02310 | 21 | LK WASH HELICAL SPR ZN |
| 3 | 2-00-00402 | 21 | WSHR FL..750X391X.093 STL ZN |
| 4 | 8-33-05107 | 1 | PUMP MOUNTING PLATE MACH. |
| 5 | 2-00-00209 | 3 | SCW HHC.375 16 X 1.25 GR 5 ZN |
| 6 | 2-00-01246 | 2 | 10 24 NYLON INSERT THIN |
| 7 | 2-00-02296 | 2 | LK WASH EXT TOOTH STL/ZN |
| 8 | 8-90-07328 | 1 | WIRE CONTACTOR TO SHUNT |
| 9 | 0885-059 | 1 | COUPLING ASSEMBLY |
| 10 | 8-08-00711 | 1 | BRACKET ENGINE MOUNT INBOARD |
| 11 | 8-08-00713 | 2 | FRONT ENGINE MOUNT |
| 13 | 2-00-02303 | 2 | LK WASH INT TOOTH ZINC PL |
| 14 | 2-00-00426 | 4 | WSHR FL .500X219X.063 STL.ZN |
| 15 | 2-00-00519 | 4 | LK WASH 10 MED SEC ZN |
| 16 | 2-00-03060 | 1 | SCREW THM 10 24X.25 |
| 17 | 8-08-00714 | 1 | BRACKET THROTTLE CABLE |
| 18 | 2-00-03063 | 1 | SCREW THM 10 24 X .75 ZN |
| 19 | 8-58-05259 | 1 | PLATE ADAPTER |
| 20 | 8-08-00712 | 1 | BRACKET ENGINE MT. OUTBOARD |
| 21 | 7-35-00017 | 4 | ISOLATOR ENGINE MOUNT |
| 22 | 8-75-01167 | 4 | SPACER ISOLATOR MT |
| 23 | 2-00-02682 | 2 | SCREW HHC .50 13 X 2.75 GR5 ZN |
| 24 | 2-00-05067 | 4 | WSHR FLAT 1.750X531X 100 STL. |
| 25 | 2-00-02360 | 1 | NUT HEX FIN .38 16 ZINC PL |
| 26 | 2-00-03829 | 3 | LK WASH INT/EXT TOOTH ZN |
| 27 | 2-00-04936 | 2 | NUT INS FIBRE .50 13 ZINC |
| 28 | 2-00-00232 | 1 | SCW HHC .375 16 X .75 GR5 ZN |
| 29 | 8-75-01190 | 2 | SPACER FRONT ENGINE MOUNT |
| 30 | 2-00-05079 | 8 | SCREW HHC M14 X 1.50 25MM |
| 31 | 2-00-05044 | 8 | LK WASH HELICAL SPR M14 MEDIUM |
| 32 | 2-00-04159 | 10 | WSHR FL 1.375X563X 109 STL.ZN |
| 33 | 2-00-04914 | 2 | SCREW HHC .50 13 X 4.50 GR5 ZN |
| 34 | 2-00-04363 | 2 | SCREW HHC M8 X 1.255 X 20MM |
| 35 | 2-00-00530 | 2 | LK WASH 5/16 MED SEC SPL ZN |
| 36 | 2-00-00409 | 2 | WSHR FLAT.688X344X.063 STL |
| 37 | 8-08-00604 | 1 | BRKT GLOW PLUG SOLENOID |
| 38 | 2-00-00605 | 1 | NUT HEX MAC SCR 10 24 STL/ZN |
| 39 | 2-00-04794 | 2 | SCREW 10 24 X.63 GR8 ZN |
| 40 | 8-13-07094 | 1 | CONDUIT CLAMP |
| 41 | 7-10-00024 | 1 | CABLE THROTTLE 7700 DIESEL |
| 42 | 2-00-00626 | 1 | NUT HEX MAC SCR 10 32 ZN |
| 43 | 8-14-01012 | 1 | CLEVIS THROTTLE ADJUSTMENT |
| 44 | 8-55-08083 | 1 | PIN |

Perkins 104.19 Diesel Engine

3366 from Serial No. 586001

17-11-2012

Part List ID
3366S8600105/

81

| Pos | Part no. | Qty | Description |
|-----|------------|-----|-----------------------------|
| 45 | 2-00-00546 | 1 | RING RET EXT 5100 31 .313 D |
| 46 | 2-00-05078 | 2 | SCREW HHC M6 X 1.00 X 10MM |

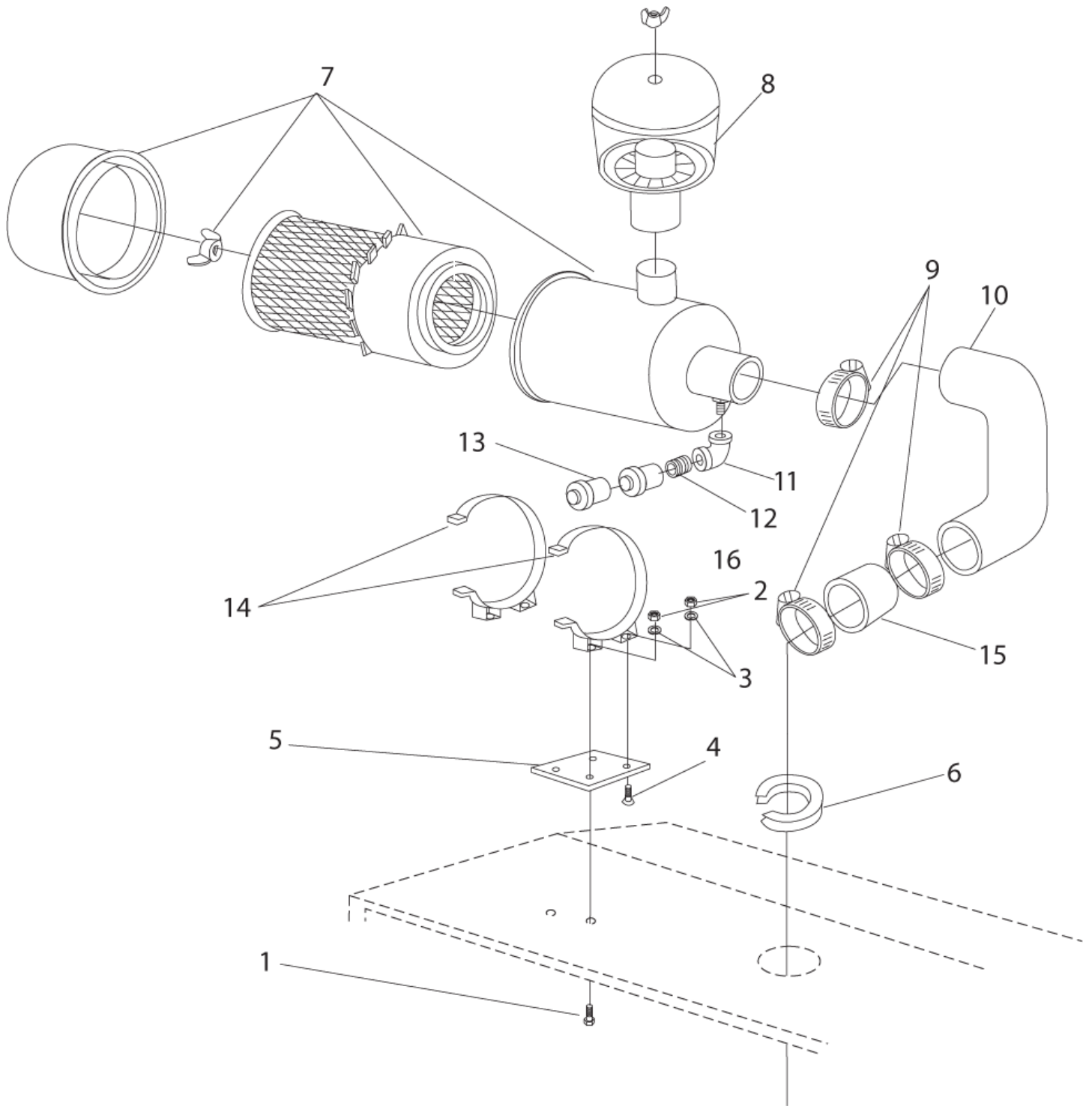
Air Intake System (diesel)

3366 from Serial No. 586001

17-11-2012

Part List ID
3366S586001058

82



Air Intake System (diesel)

3366 from Serial No. 586001

17-11-2012

Part List ID
3366S86001058

83

| Pos | Part no. | Qty | Description |
|-----|------------|-----|-------------------------------|
| 1 | 2-00-00205 | 2 | BOLT HEX TAP .25 20X1.0 GR 5 |
| 2 | 2-00-00594 | 4 | NUT HEX STD FIN .25 20 ZN |
| 3 | 2-00-00518 | 4 | LK WASH 1/4 MED. SECTION ZN |
| 4 | 2-00-03027 | 2 | SCREW HSFHC .25 20 X .63 ZN |
| 5 | 8-58-05263 | 1 | PLATE AIR CLEANER MT 3366 XP |
| 6 | 7-21-04022 | 1 | EDGING |
| 7 | 8-24-04100 | 1 | AIR CLEANER ASSEMBLY |
| 8 | 8-24-04092 | 1 | PRE CLEANER ASSEMBLY |
| 9 | 2-00-02217 | 2 | CLAMP HOSE HS 40 |
| 10 | 8-33-02272 | 1 | HOSE MOLDED AIR INTAKE |
| 11 | 2-00-03641 | 1 | ELBOW 90 DEG .125 PIPE MI BLK |
| 12 | 2-95-02519 | 1 | NIP PIPE BLK CLOSE .125X.75 |
| 13 | 8-24-04136 | 1 | FILTER SERVICE IND. 25 H20 |
| 14 | 8-24-04093 | 1 | BAND ASSEMBLY |
| 15 | 8-87-02110 | 1 | TUBE AIR INLET |

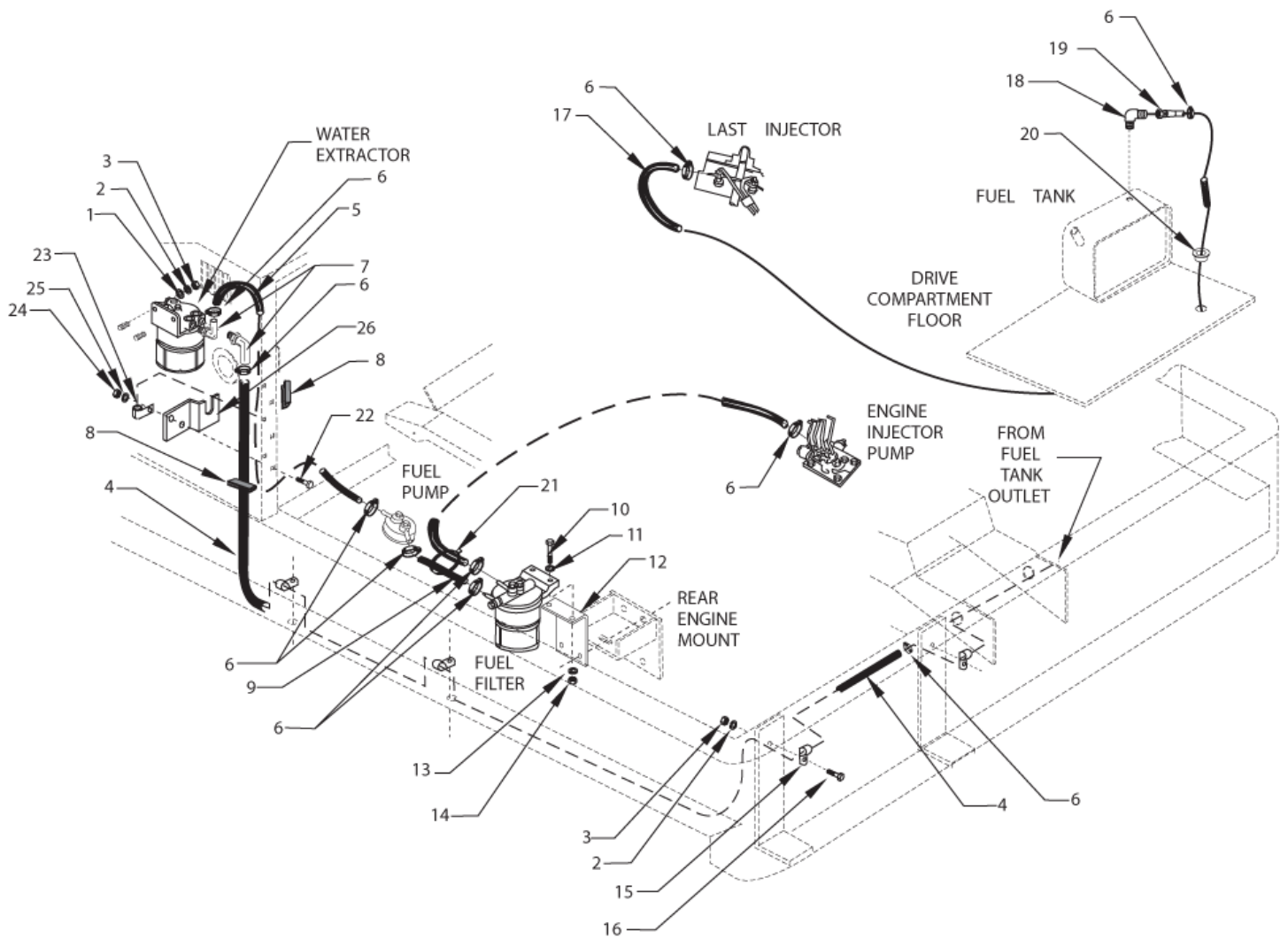
Fuel and Water Extractor

3366 from Serial No. 586001

17-11-2012

Part List ID
3366S586001059

84



Fuel and Water Extractor

3366 from Serial No. 586001

17-11-2012

Part List ID
3366S86001059

85

| Pos | Part no. | Qty | Description |
|-----|------------|-----|--------------------------------|
| 1 | 2-00-03702 | 3 | WSHR FL..625X281X.063 STL.ZN |
| 2 | 2-00-00518 | 2 | LK WASH 1/4 MED. SECTION ZN |
| 3 | 2-00-00594 | 2 | NUT HEX STD FIN .25 20 ZN |
| 4 | 8-33-02268 | 1 | HOSE FUEL LINE 5/16 I.D. X 80 |
| 5 | 8-33-02208 | 1 | FUEL LINE SEPRTR TO FUEL PUMP |
| 6 | 2-95-04388 | 8 | CLAMP HOSE FEEDWATER IDEAL6203 |
| 8 | 8-08-07045 | 1 | BUMPER EDGING |
| 9 | 8-33-02257 | 1 | FUEL LINE PUMP TO FILTER |
| 10 | 2-00-00234 | 2 | SCW HHC .375 16 X 1.50 GR5 ZN |
| 11 | 2-00-00402 | 2 | WSHR FL..750X391X.093 STL ZN |
| 12 | 8-08-00710 | 1 | BRK FUEL FILTER |
| 13 | 2-00-02310 | 2 | LK WASH HELICAL SPR ZN |
| 14 | 2-00-02360 | 2 | NUT HEX FIN .38 16 ZINC PL |
| 15 | 2-00-04602 | 4 | CLAMP HOSE SINGLE 1/2 O.D. |
| 16 | 2-00-00221 | 1 | SCW HHC .25 20 X .75 GR 8 ZN |
| 17 | 8-33-02270 | 1 | HOSE FUEL RETURN LINE |
| 18 | 8-56-05021 | 1 | FITTING MALE ELBOW |
| 19 | 2-00-04618 | 1 | FITTING FEMALE SWIVEL |
| 20 | 8-09-01077 | 1 | BUSHING SNAP |
| 21 | 2-00-04345 | 2 | TY RAP THOMAS+BETTS TY 28M |
| 22 | 2-00-00196 | 2 | BLT CAR..31 18 X 1 GR 5 ZN |
| 23 | 2-00-04873 | 4 | CLAMP 1/2 CABLE |
| 24 | 2-00-00585 | 2 | NUT HEX FIN .31 18 ZN |
| 25 | 2-00-00530 | 2 | LK WASH 5/16 MED SEC SPL ZN |
| 26 | 8-08-00709 | 1 | BRACKET LINKAGE FWD./REV |

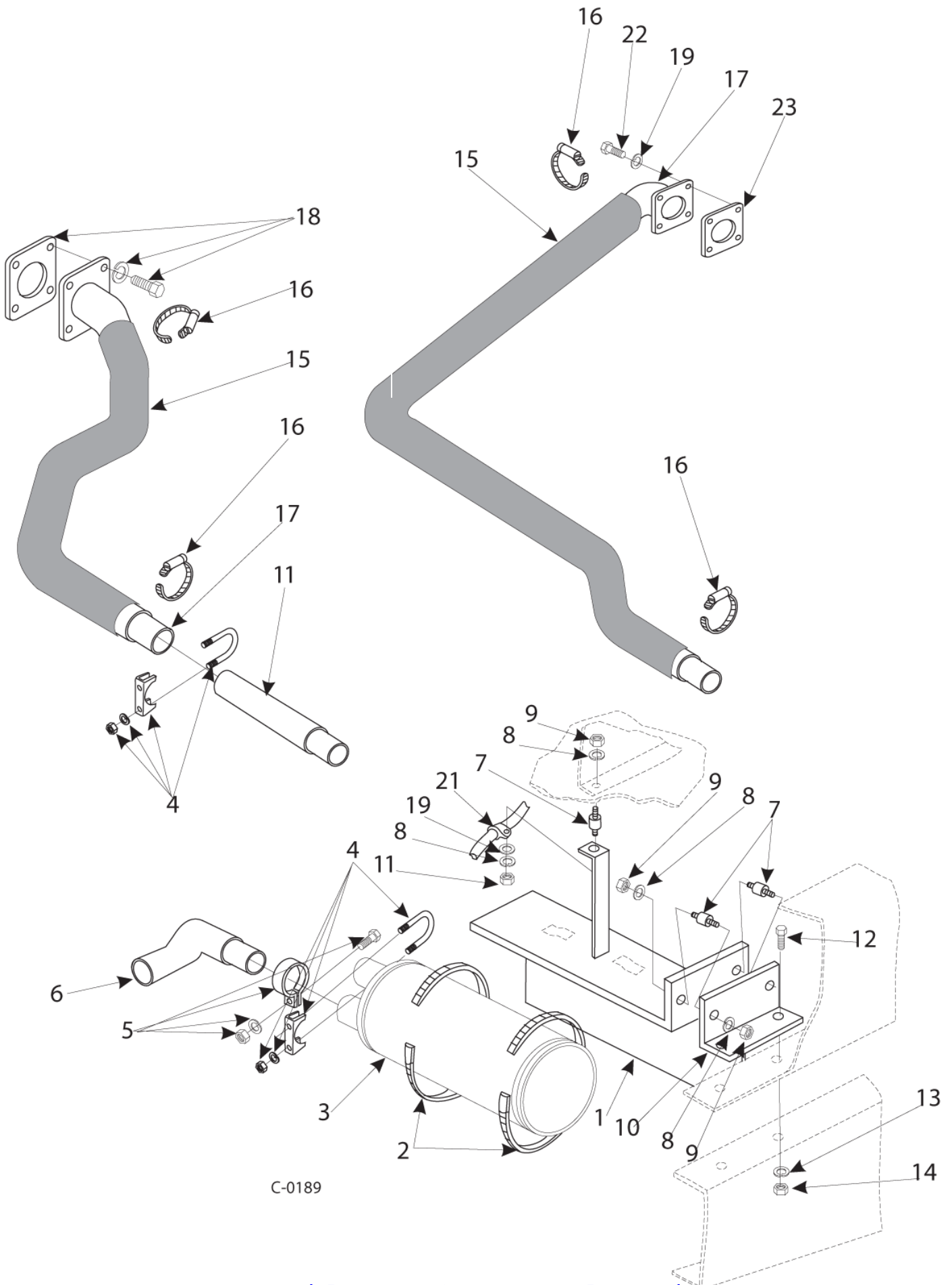
Exhaust System

3366 from Serial No. 586001

17-11-2012

Part List ID
3366S586001061

86



Ersatzteile auf www.gluesing.net

Exhaust System

3366 from Serial No. 586001

17-11-2012

Part List ID
3366S86001061

87

| Pos | Part no. | Qty | Description |
|-----|------------|-----|--------------------------------|
| 1 | 8-72-00006 | 1 | WLDMT SHROUD MUFFLER |
| 2 | 2-00-04400 | 2 | CLAMP IDEAL 7 INCH 4 INCH |
| 3 | 7-49-00027 | 1 | MUFFLER |
| 4 | 2-00-04040 | 2 | CLAMP MUFFLER |
| 5 | 7-13-07082 | 1 | CLAMP |
| 6 | 8-56-04043 | 1 | PIPE TAIL |
| 7 | 8-50-05037 | 3 | PAD |
| 8 | 2-00-00530 | 6 | LK WASH 5/16 MED SEC SPL ZN |
| 9 | 2-00-00585 | 6 | NUT HEX FIN .31 18 ZN |
| 11 | 8-56-04033 | 1 | PIPE EXHAUST EXTENSION |
| 12 | 2-00-00233 | 2 | SCREW HHC .375 16 X 1.00 GR ZN |
| 13 | 2-00-02310 | 2 | LK WASH HELICAL SPR ZN |
| 14 | 2-00-02360 | 2 | NUT HEX FIN .38 16 ZINC PL |
| 15 | 7-34-09015 | 1 | INSULATION SLEEVE |
| 15 | 7-34-09016 | 1 | INSULATION SLEEVE |
| 16 | 2-00-03404 | 6 | CLAMP WITTECK C24P |
| 17 | 8-56-04042 | 1 | EXHAUST PIPE PERKINS 104.19 |
| 19 | 2-00-02311 | 2 | LK WSH MED SEC SPL ZN 7/16 BLT |
| 21 | 2-00-04441 | 1 | CLAMP-CABLE |

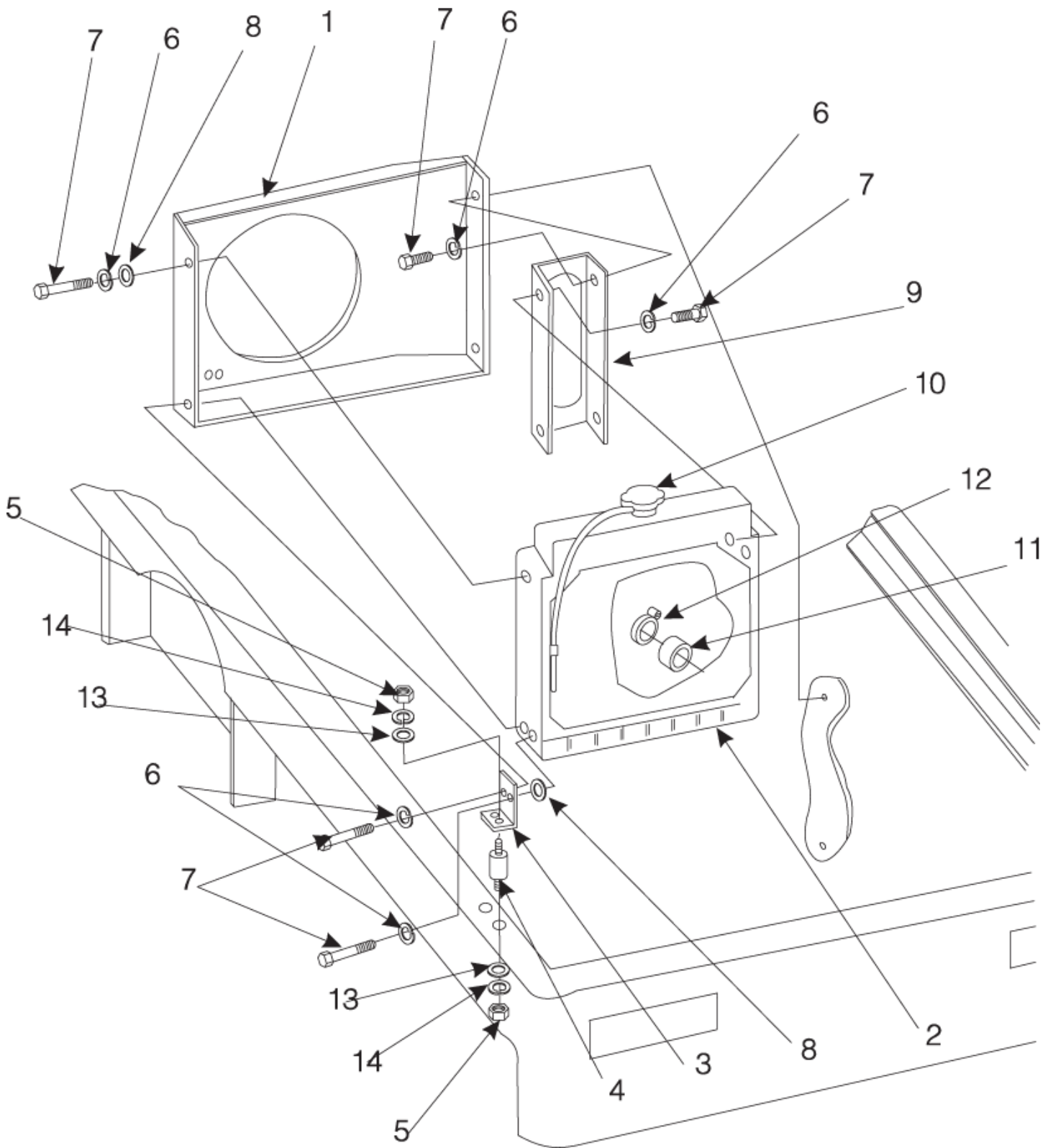
Radiator and Shroud

3366 from Serial No. 586001

17-11-2012

Part List ID
3366S586001062

88



Radiator and Shroud

3366 from Serial No. 586001

17-11-2012

Part List ID
3366S8600106Z

89

| Pos | Part no. | Qty | Description |
|-----|------------|-----|-------------------------------|
| 1 | 8-72-00007 | 1 | SHROUD RADIATOR |
| 1 | 8-72-00008 | 1 | SHROUD RADIATOR |
| 2 | 8-62-01011 | 1 | RADIATOR 4 CORE |
| 3 | 8-08-00587 | 1 | RADIATOR MOUNT BRACKET L.H . |
| 4 | 8-50-05053 | 2 | PAD RADIATOR MOUNT |
| 5 | 2-00-00594 | 4 | NUT HEX STD FIN .25 20 ZN |
| 6 | 2-00-00518 | 9 | LK WASH 1/4 MED. SECTION ZN |
| 7 | 2-00-00220 | 7 | SCW HHC .25 20 X .63 GR 8 ZN |
| 8 | 2-00-00447 | 2 | WSHR FLT 1.25X.281X.09 ZN |
| 10 | 8-11-00045 | 1 | CAP RADIATOR 7 LB PRESSURE |
| 11 | 2-00-04913 | 1 | PLUG 1.25 RADIATOR HOSE |
| 12 | 2-00-03404 | 1 | CLAMP WITTECK C24P |
| 13 | 2-00-03702 | 4 | WSHR FL..625X.281X.063 STL.ZN |
| 14 | 2-00-00501 | 4 | LK WASH INT TOOTH ZN |
| 15 | 2-00-00427 | 2 | WSHR FLAT .875X516X.063 STL. |

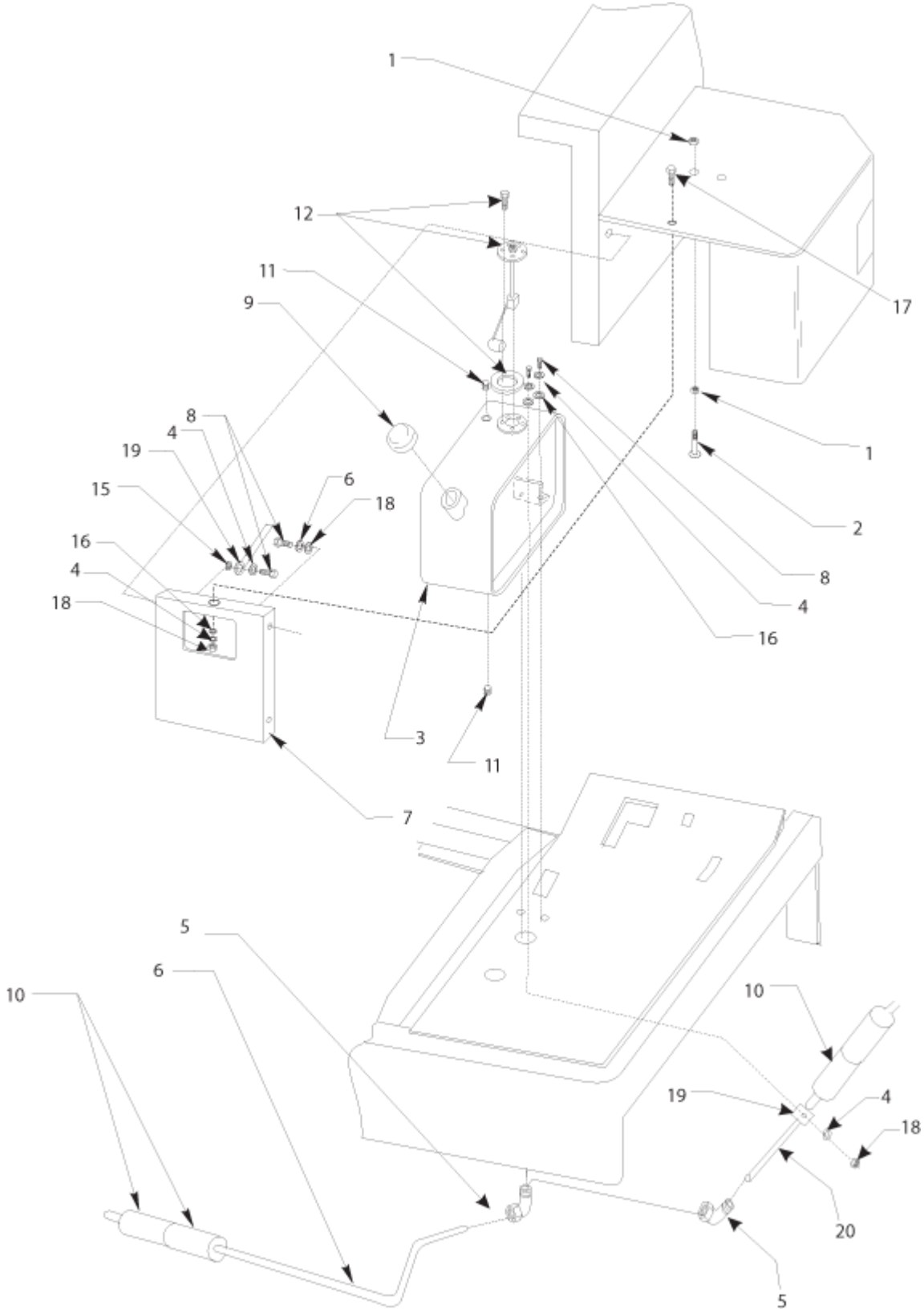
Fuel Tank and Line

3366 from Serial No. 586001

17-11-2012

Part List ID
3366S586001063

90



Fuel Tank and Line

3366 from Serial No. 586001

17-11-2012

Part List ID
3366S86001063

91

| Pos | Part no. | Qty | Description |
|-----|------------|-----|-------------------------------|
| 1 | 2-00-02369 | 2 | NUT HEX JAM .38 16 ZN |
| 2 | 7-50-05144 | 1 | PAD LEVELING |
| 3 | 8-83-04029 | 1 | FUEL TANK GAS DIESEL |
| 4 | 2-00-00518 | 7 | LK WASH 1/4 MED. SECTION ZN |
| 5 | 2-00-04494 | 1 | FTG LINE FUEL |
| 6 | 8-87-02109 | 1 | TUBE FUEL LINE |
| 7 | 8-52-00127 | 1 | REAR WALL SEAT COMPARTMENT |
| 8 | 2-00-00221 | 6 | SCW HHC .25 20 X .75 GR 8 ZN |
| 9 | 7-11-00029 | 1 | CAP FILLER VENTED |
| 10 | 8-08-07038 | 2 | BUMPER FUEL LINE |
| 12 | 8-26-04003 | 1 | FLOAT FUEL TANK |
| 13 | 2-00-00205 | 1 | BOLT HEX TAP .25 20X1.0 GR 5 |
| 15 | 2-00-00503 | 2 | LK WASH INT/EXT TOOTH ZN |
| 16 | 2-00-00407 | 6 | WSHR FLAT .563X.266X.063 STL. |
| 17 | 2-00-00183 | 1 | SCW PH THM.25 20 X .75 ZN PL |
| 18 | 2-00-00594 | 2 | NUT HEX STD FIN .25 20 ZN |
| 19 | 2-00-04602 | 1 | CLAMP HOSE SINGLE 1/2 O.D. |
| 20 | 8-87-02116 | 1 | TUBE FUEL LINE |

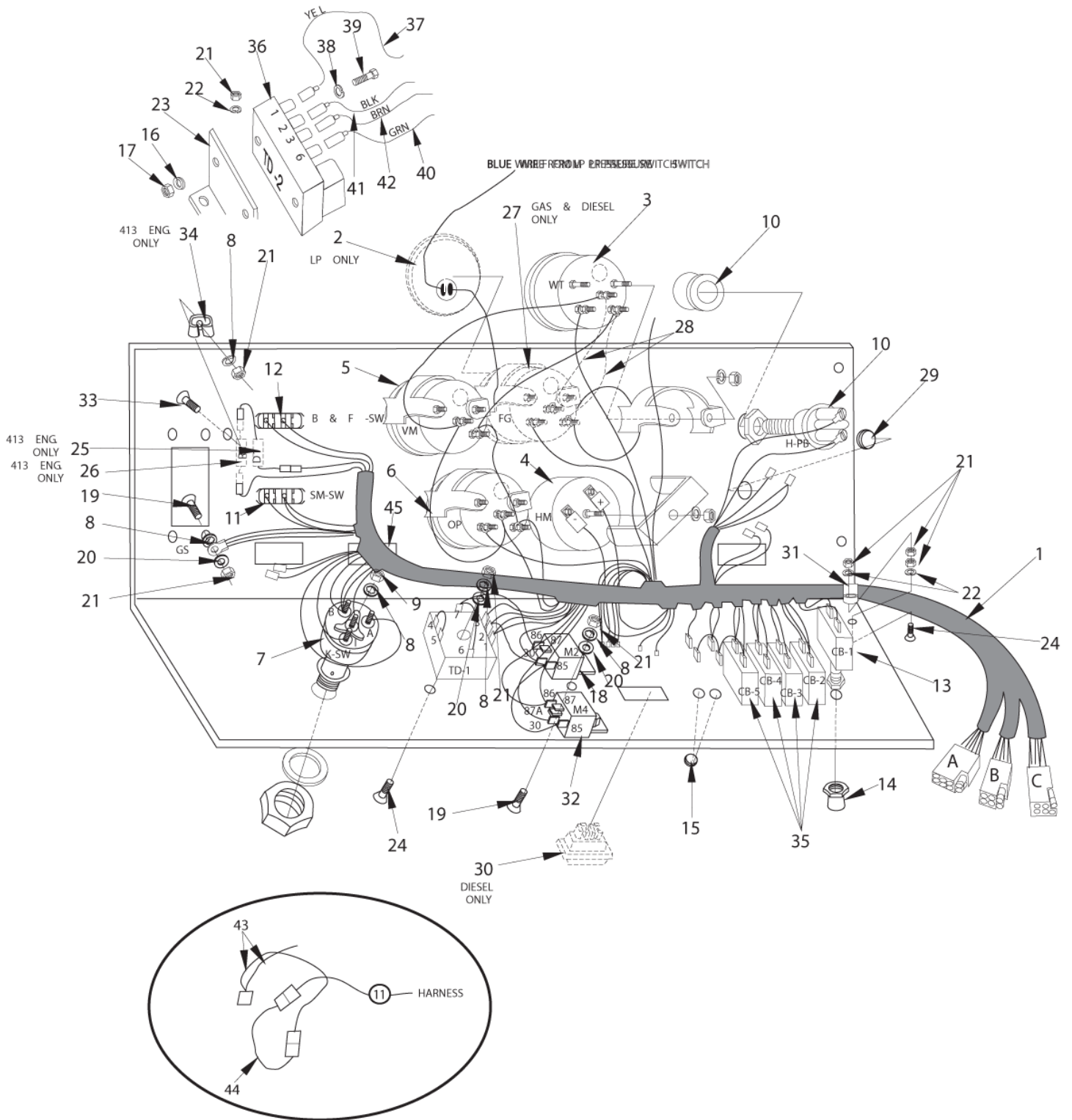
Instrument Panel

3366 from Serial No. 586001

17-11-2012

Part List ID
3366S586001065

92



Instrument Panel

3366 from Serial No. 586001

17-11-2012

Part List ID
3366S86001065

93

| Pos | Part no. | Qty | Description | |
|-----|------------|-----|-------------------------------|-----------|
| 1 | 0895-085 | 1 | HARNES INSTRUMENT PANEL | |
| 2 | 7-11-04035 | 1 | KIT LOW LP INDICATOR 7760 | |
| 3 | 8-48-05028 | 1 | GAUGE WATER TEMPERATURE | |
| 4 | 56478363 | 1 | METER HOUR | |
| 5 | 56482044 | 1 | METER VOLT | |
| 6 | 8-48-05027 | 1 | GAUGE OIL PRESSURE | |
| 7 | 7-82-00026 | 1 | KEY SWITCH ANTI RE START | |
| 8 | 2-00-00512 | 9 | LK WASH INT TH 10 ZN | |
| 9 | 2-00-04694 | 4 | NUT HEX MAC SCR 10 32 ST STL | |
| 10 | 8-82-00024 | 1 | HORN PUSH BUTTON | |
| 11 | 8-82-00062 | 1 | SWITCH MOMENTARY ON | |
| 12 | 8-82-00044 | 1 | SWITCH SPST ON OFF | |
| 13 | 7-64-00025 | 1 | CIRCUIT BREAKER 25 AMP | |
| 14 | 8-11-00044 | 5 | BOOT | |
| 15 | 2-00-04757 | 2 | PLUG BUTTON | |
| 16 | 2-00-01499 | 2 | LK WASH HELICAL SPR 6SCR MED. | |
| 17 | 2-00-00624 | 2 | NUT HEX MAC SCR 6 32 STL/ZN | |
| 18 | 8-64-00012 | 1 | RELAY SHAKER MOTOR | |
| 19 | 2-00-03063 | 3 | SCREW THM 10 24 X .75 ZN | |
| 20 | 2-00-00466 | 4 | WSHR FLAT .625X.203X.031 STL. | |
| 21 | 2-00-00605 | 13 | NUT HEX MAC SCR 10 24 STL/ZN | |
| 22 | 2-00-00519 | 8 | LK WASH 10 MED SEC ZN | |
| 23 | 56516763 | 1 | BRACKET RELAY | |
| 24 | 2-00-04897 | 2 | SCREW THM 10 24 X 1.25 ZN | |
| 25 | 0875-087 | 1 | DIODE ASSEMBLY | |
| 26 | 8-64-05007 | 1 | RESISTOR ASSEMBLY | |
| 27 | 8-48-05032 | 1 | GAUGE FUEL | REF |
| 28 | 8-90-07357 | 1 | WIRE W.T. GAUGE TO FUEL GAUGE | REF |
| 30 | 8-82-00045 | 1 | SWITCH SPST ON OFF | |
| 31 | 2-00-04937 | 1 | TIE CABLE | |
| 32 | 8-64-05009 | 1 | RELAY BROOMS FAN | |
| 33 | 2-00-03061 | 10 | SCW PH.TR.HM 10 24 X .50 ZN | |
| 35 | 8-64-00008 | 4 | CIRCUIT BREAKER 15 AMP | |
| 36 | 8-64-05011 | 1 | RELAY | |
| 37 | 8-90-07422 | 1 | WIRE TD 2 1 TO CB 4 | |
| 38 | 2-00-00455 | 2 | WSHR FLAT .375X.156X.047 STL. | |
| 39 | 2-00-00067 | 2 | SCREW PH.RHM 6 32 X 1.00 | |
| 40 | 8-90-07425 | 1 | WIRE TD 2 6 TO HOUR METER | |
| 41 | 8-90-07423 | 1 | WIRE TD 2 TO GND STUD | |
| 42 | 8-90-07424 | 1 | WIRE TD 3 TO CB 3 | |
| 43 | 8-90-07361 | 1 | WIRE TD1 6TO7 TO M286TOM4 | |
| 44 | 2-00-04479 | 3 | QUICK CONNECT SPLICE | NOT SHOWN |
| 44 | 8-11-00015 | 15 | SPADE TERMINAL MALE | NOT SHOWN |

Instrument Panel

3366 from Serial No. 586001

17-11-2012

Part List ID
3366S86001066

94

| Pos | Part no. | Qty | Description |
|-----|------------|-----|-------------|
| 44 | 8-90-07385 | 1 | WIRE JUMPER |
| 45 | 7-40-05028 | 1 | LIGHT |

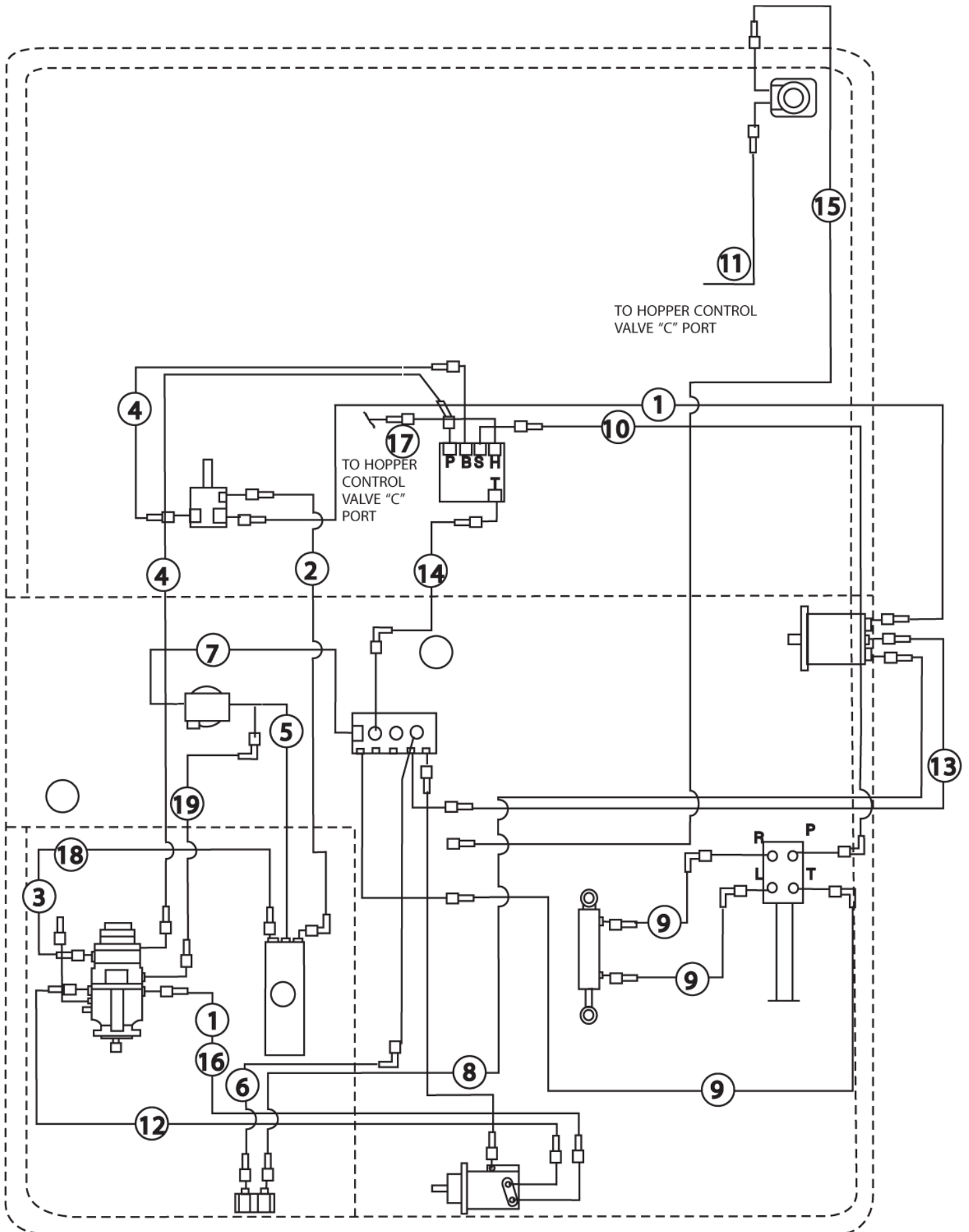
Hydraulic Hose System (variable dump)

3366 from Serial No. 586001

17-11-2012

Part List ID
3366S586001067

95



C0121a

Ersatzteile auf www.gluesing.net

Hydraulic Hose System (variable dump)

3366 from Serial No. 586001

17-11-2012

Part List ID
3366S8600106/

96

| Pos | Part no. | Qty | Description | |
|-----|------------|-----|------------------------------|--------------|
| 1 | 8-33-02267 | 2 | HOSE HYD STR ORS 8X62.O 2WB | NOTE 1 AND 2 |
| 2 | 7-33-02189 | 1 | HOSE HYD ORS 4 90 TO STR 26 | NOTE 1 AND 2 |
| 3 | 8-33-02215 | 1 | HOSE 12 12 O RING FACE 36 LG | NOTE 2 |
| 4 | 8-33-02265 | 2 | HOSE HYD 8X23 O 45 ORS | NOTE 1 AND 2 |
| 5 | 8-33-02273 | 1 | HOSE HYDRAULIC RETURN | |
| 6 | 8-33-02264 | 1 | HOSE HYD 8X52 90ORS 0JIC | NOTE 1 AND 2 |
| 7 | 7-33-02317 | 1 | HOSE HYDRAULIC/LOW PRESSURE | |
| 9 | 7-33-02190 | 3 | HOSE HYD ORS 4 90 TO STR 67 | NOTE 1 AND 2 |
| 10 | 8-33-02200 | 1 | HOSE HYD ORS4 90 TO STR 67 | NOTE 1 AND 2 |
| 11 | 8-33-02278 | 1 | HOSE 4X130.0 0 0 ORS.251WB | NOTE 1 AND 2 |
| 12 | 8-33-02195 | 1 | HOSE HYD ORS8 STR ENDS 69.5 | NOTE 1 AND 2 |
| 13 | 7-33-02193 | 1 | HOSE HYD ORS 4 90 TO STR 49 | NOTE 1 AND 2 |
| 14 | 7-33-02206 | 1 | HOSE HYD STR 90 8 ORS | NOTE 1 AND 2 |
| 15 | 8-33-02277 | 1 | HOSE 4X110.0 0 0 ORS.251WB | NOTE 1 AND 2 |
| 16 | 8-33-02191 | 1 | HOSE HYD ORS8 STR ENDS 56.5 | NOTE 1 |
| 17 | 8-33-02178 | 1 | HOSE HYD ORS4 STR ENDS 14 | NOTE 1 AND 2 |
| 18 | 8-33-02194 | 1 | HOSE HYD ORS12 STR ENDS 32 | NOTE 1 |
| 19 | 8-33-02217 | 3 | HOSE 4 4 O RING FACE 32 LG | NOTE 1 AND 2 |

NOTE 1: Items are part of Hose Kit 0860-621

NOTE 2: Items are part of Hose Kit 0860-582

Ersatzteile auf www.gluesing.net

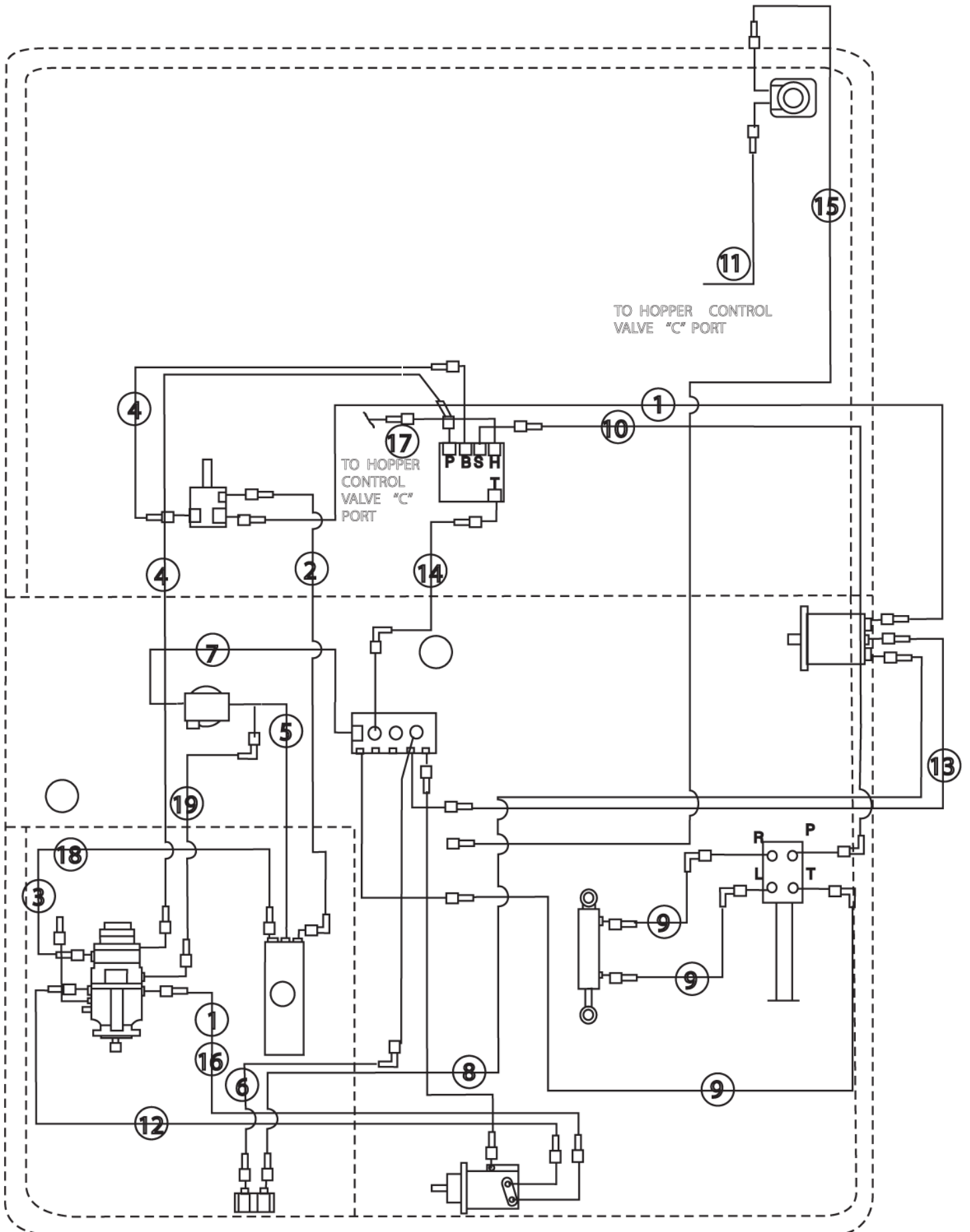
Hydraulic Hose System (low dump)

3366 from Serial No. 586001

17-11-2012

Part List ID
3366S586001069

97



C0121

Ersatzteile auf www.gluesing.net

Hydraulic Hose System (low dump)

3366 from Serial No. 586001

17-11-2012

Part List ID
3366S86001069

98

| Pos | Part no. | Qty | Description |
|-----|------------|-----|-------------------------------|
| 1 | 8-33-02267 | 2 | HOSE HYD STR ORS 8X62.O 2WB |
| 2 | 7-33-02189 | 1 | HOSE HYD ORS 4 90 TO STR 26 |
| 3 | 8-33-02215 | 1 | HOSE 12 12 O RING FACE 36 LG |
| 4 | 8-33-02265 | 2 | HOSE HYD 8X23 O 45 ORS |
| 5 | 8-33-02273 | 1 | HOSE HYDRAULIC RETURN |
| 6 | 8-33-02264 | 1 | HOSE HYD 8X52 90ORS 0JIC |
| 7 | 7-33-02317 | 1 | HOSE HYDRAULIC/LOW PRESSURE |
| 9 | 7-33-02190 | 3 | HOSE HYD ORS 4 90 TO STR 67 |
| 10 | 7-33-02200 | 1 | HOSE HYD ORS 8 45 TO STR 77 |
| 11 | 8-33-02198 | 1 | HOSE HYD ORS4 90 TO STR 107 |
| 12 | 8-33-02195 | 1 | HOSE HYD ORS8 STR ENDS 69.5 |
| 13 | 7-33-02193 | 1 | HOSE HYD ORS 4 90 TO STR 49 |
| 14 | 7-33-02206 | 1 | HOSE HYD STR 90 8 ORS |
| 15 | 8-33-02277 | 1 | HOSE 4X110.0 0 0 ORS.251WB |
| 16 | 8-33-02178 | 1 | HOSE HYD ORS4 STR ENDS 14 |
| 19 | 8-33-02217 | 1 | HOSE 4 4 O RING FACE 32 LG |
| 20 | 8-33-02185 | 2 | HOSE HYD ORS4 STR ENDS 56 |
| 21 | 8-33-02177 | 2 | HOSE HYD ORS4 STR ENDS 73 |
| 22 | 8-33-02217 | 1 | HOSE 4 4 O RING FACE 32 LG |
| 23 | 7-33-02184 | 1 | HOSE HYD ORS 4 STR ENDS 25.5 |
| 24 | 7-33-02225 | 1 | HOSE HYD ORS 4 STR TO 90dg 38 |
| 25 | 7-33-02186 | 2 | HOSE HYD ORS 4 STR ENDS 30 |

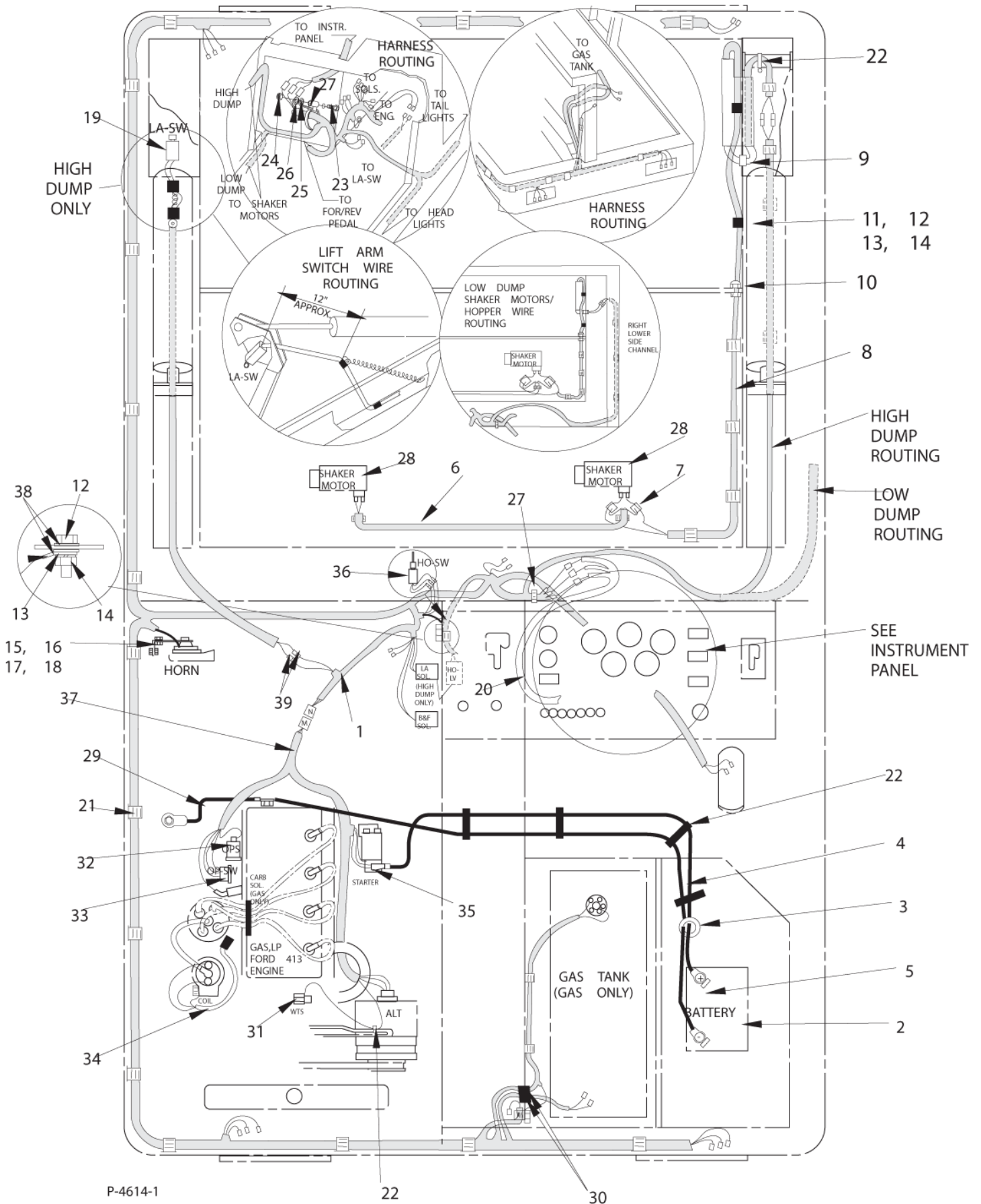
Ford VSG 413 Wiring

3366 from Serial No. 586001

17-11-2012

Part List ID
3366S586001071

99



P-4614-1

Ford VSG 413 Wiring

3366 from Serial No. 586001

17-11-2012

Part List ID
3366S860010/1

100

| Pos | Part no. | Qty | Description | |
|-----|------------|-----|--------------------------------|-----|
| 1 | 0895-096 | 1 | HARNESS MACHINE WIRING | |
| 2 | 0875-008 | 1 | BAT SAE 2 SHA 12V OR EQUIV | |
| 3 | 8-09-01077 | 1 | BUSHING SNAP | |
| 4 | 8-90-07211 | 1 | BATTERY CABLE | REF |
| 5 | 7-90-07262 | 1 | CABLE BATTERY NEGATIVE | REF |
| 6 | 0895-090 | 1 | WIRE HARNESS SHAKER MOTOR | |
| 7 | 2-00-04479 | 2 | QUICK CONNECT SPLICE | |
| 8 | 0875-108 | 1 | WIRE ASSEMBLY HOPPER | |
| 9 | 8-09-01082 | 1 | BUSHING UNIVERSAL | |
| 10 | 8-09-01083 | 1 | BUSHING CONNECTOR LIQ TIGHT | |
| 11 | 2-00-04378 | 1 | CLIP WATER LINE | |
| 12 | 2-00-00221 | 1 | SCW HHC .25 20 X .75 GR 8 ZN | |
| 13 | 2-00-00518 | 1 | LK WASH 1/4 MED. SECTION ZN | |
| 14 | 2-00-00594 | 1 | NUT HEX STD FIN .25 20 ZN | |
| 15 | 8-32-09013 | 1 | HORN 12v DC | |
| 16 | 2-00-00208 | 1 | SCW HHC .313 18 X .75 GR5 ZN | |
| 17 | 2-00-00585 | 1 | NUT HEX FIN .31 18 ZN | |
| 18 | 2-00-00530 | 1 | LK WASH 5/16 MED SEC SPL ZN | |
| 19 | 8-82-00047 | 1 | SWITCH | REF |
| 20 | 0895-085 | 1 | HARNESS INSTRUMENT PANEL | REF |
| 21 | 7-13-07096 | 27 | CLAMP ADJUSTABLE | |
| 22 | 2-00-04345 | 15 | TY RAP THOMAS+BETTS TY 28M | |
| 23 | 2-00-00056 | 2 | SCW RHM 10 24 X .75 ZN | |
| 24 | 2-00-00605 | 1 | NUT HEX MAC SCR 10 24 STL/ZN | |
| 25 | 2-00-00426 | 2 | WSHR FL .500X.219X.063 STL.ZN | |
| 26 | 2-00-00519 | 2 | LK WASH 10 MED SEC ZN | |
| 27 | 2-00-04937 | 1 | TIE CABLE | |
| 28 | 0882-027 | 1 | FILTER SHAKER MOTOR | REF |
| 29 | 8-90-07328 | 1 | WIRE CONTACTOR TO SHUNT | REF |
| 30 | 8-09-01081 | 2 | BUSHING SNAP | |
| 31 | 8-69-00006 | 1 | SENDER WATER TEMPERATURE | REF |
| 32 | 8-69-00005 | 1 | SENDER OIL PRESSURE | REF |
| 33 | 8-82-00046 | 1 | SWITCH PRESSURE | REF |
| 35 | 2-00-04952 | 1 | BOOT PROTECTIVE | |
| 37 | 0895-104 | 1 | HARNESS-ENGINE VSG 413 IN 2200 | |
| 38 | 2-00-00503 | 2 | LK WASH INT/EXT TOOTH ZN | |
| 39 | 2-00-04578 | 2 | TERMINAL BULLET MALE | |

Ford VSG 425 Wiring

3366 from Serial No. 586001

17-11-2012

Part List ID
3366S860010/3

102

| Pos | Part no. | Qty | Description | |
|-----|------------|-----|-------------------------------|-----|
| 1 | 0895-096 | 1 | HARNESS MACHINE WIRING | |
| 2 | 0875-008 | 1 | BAT SAE 2 SHA 12V OR EQUIV | |
| 3 | 8-09-01077 | 1 | BUSHING SNAP | |
| 4 | 2-00-05171 | 1 | BOOT PROTECTIVE RED | |
| 4 | 8-90-07167 | 1 | POSITIVE BATTERY CABLE | REF |
| 5 | 2-00-05173 | 1 | BOOT PROTECTIVE BLK | |
| 5 | 7-90-07410 | 1 | WIRE A1 | REF |
| 6 | 0895-090 | 1 | WIRE HARNESS SHAKER MOTOR | |
| 7 | 2-00-04479 | 2 | QUICK CONNECT SPLICE | |
| 8 | 0875-108 | 1 | WIRE ASSEMBLY HOPPER | |
| 9 | 8-09-01082 | 1 | BUSHING UNIVERSAL | |
| 10 | 8-09-01083 | 1 | BUSHING CONNECTOR LIQ TIGHT | |
| 11 | 2-00-04378 | 2 | CLIP WATER LINE | |
| 12 | 2-00-00221 | 5 | SCW HHC .25 20 X .75 GR 8 ZN | |
| 13 | 2-00-00518 | 5 | LK WASH 1/4 MED. SECTION ZN | |
| 14 | 2-00-00594 | 5 | NUT HEX STD FIN .25 20 ZN | |
| 15 | 8-32-09013 | 1 | HORN 12v DC | |
| 17 | 2-00-00585 | 1 | NUT HEX FIN .31 18 ZN | |
| 18 | 2-00-00530 | 1 | LK WASH 5/16 MED SEC SPL ZN | |
| 19 | 8-82-00047 | 1 | SWITCH | |
| 20 | 0895-085 | 1 | HARNESS INSTRUMENT PANEL | REF |
| 21 | 7-13-07096 | 33 | CLAMP ADJUSTABLE | |
| 22 | 2-00-04345 | 4 | TY RAP THOMAS+BETTS TY 28M | |
| 23 | 2-00-00056 | 3 | SCW RHM 10 24 X .75 ZN | |
| 24 | 2-00-00605 | 3 | NUT HEX MAC SCR 10 24 STL/ZN | |
| 25 | 2-00-00426 | 2 | WSHR FL .500X.219X.063 STL.ZN | |
| 26 | 2-00-00519 | 3 | LK WASH 10 MED SEC ZN | |
| 27 | 2-00-04937 | 1 | TIE CABLE | |
| 28 | 0882-027 | 1 | FILTER SHAKER MOTOR | REF |
| 29 | 8-90-07328 | 1 | WIRE CONTACTOR TO SHUNT | REF |
| 30 | 8-09-01081 | 2 | BUSHING SNAP | |
| 31 | 8-69-00013 | 1 | SENDER WATER TEMPERATURE | REF |
| 32 | 8-69-00005 | 1 | SENDER OIL PRESSURE | REF |
| 33 | 8-82-00046 | 1 | SWITCH PRESSURE | REF |
| 35 | 2-00-04952 | 1 | BOOT PROTECTIVE | |
| 36 | 8-90-07384 | 1 | WIRE STARTER MOTOR | |
| 37 | 8-06-05006 | 1 | BLOCK TERMINAL FORD 423 ENG | REF |
| 39 | 0895-099 | 1 | HARNESS ENGINE WIRINGFORD423 | |
| 40 | 2-00-00503 | 2 | LK WASH INT/EXT TOOTH ZN | |
| 41 | 2-00-04578 | 2 | TERMINAL BULLET MALE | |

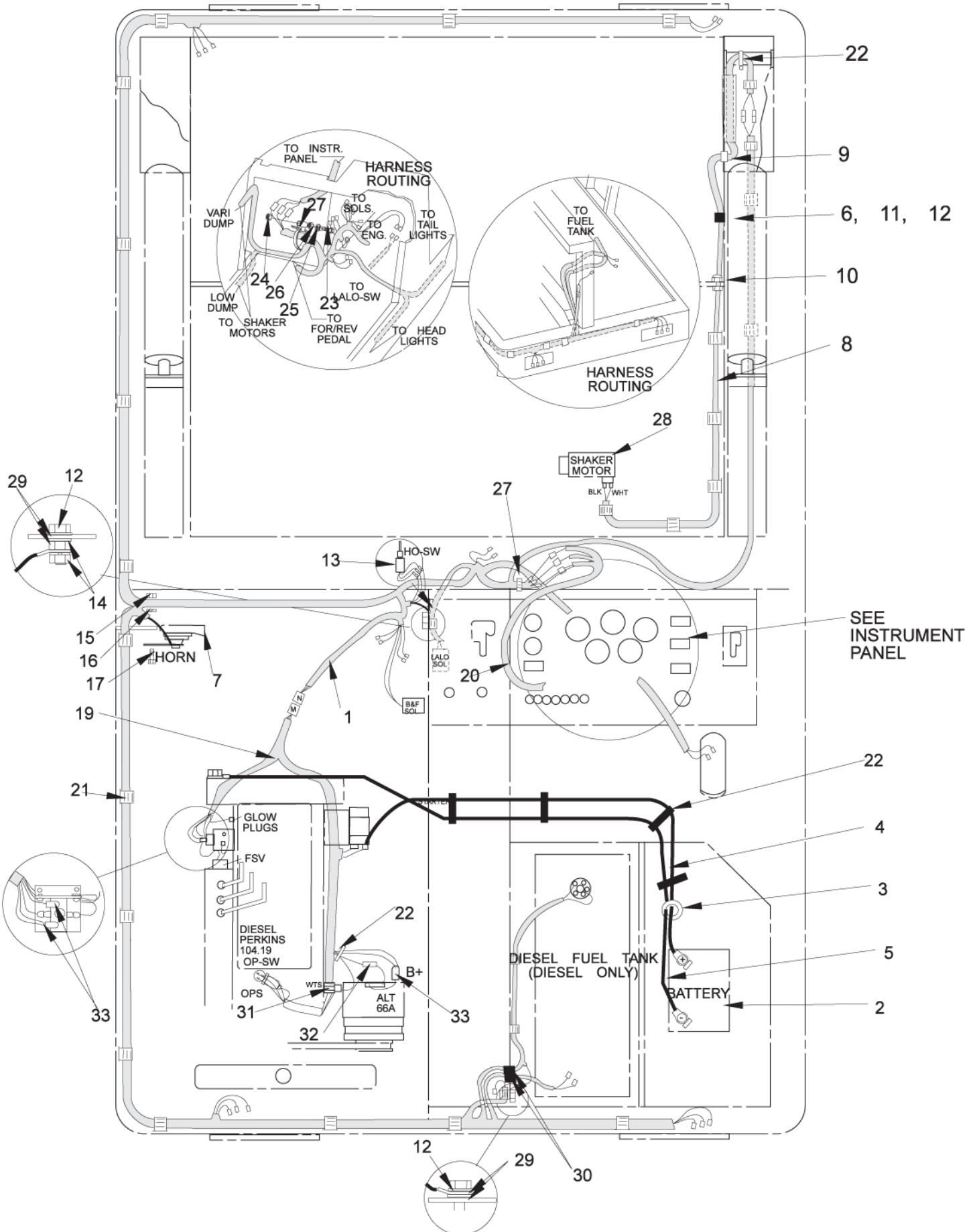
Perkins 104.19 Wiring

3366 from Serial No. 586001

17-11-2012

Part List ID
3366S586001075

103



Perkins 104.19 Wiring

3366 from Serial No. 586001

17-11-2012

Part List ID
3366Sb860010/5

104

| Pos | Part no. | Qty | Description |
|-----|------------|-----|--------------------------------|
| 1 | 0895-096 | 1 | HARNESS MACHINE WIRING |
| 2 | 0875-057 | 1 | BATTERY MAINTENANCE FREE |
| 3 | 8-09-01077 | 1 | BUSHING SNAP |
| 4 | 2-00-05171 | 1 | BOOT PROTECTIVE RED |
| 4 | 8-90-07211 | 1 | BATTERY CABLE REF. |
| 5 | 2-00-05173 | 1 | BOOT PROTECTIVE BLK |
| 5 | 8-90-07011 | 1 | CABLE-BAT COAST SPOTLIGHT REF. |
| 6 | 2-00-00641 | 1 | NUT INS FIBRE .25 20 ZN PL |
| 7 | 8-32-09013 | 1 | HORN 12v DC |
| 9 | 8-09-01082 | 1 | BUSHING UNIVERSAL |
| 10 | 8-09-01083 | 1 | BUSHING CONNECTOR LIQ TIGHT |
| 11 | 2-00-04378 | 2 | CLIP WATER LINE |
| 12 | 2-00-00221 | 3 | SCW HHC .25 20 X .75 GR 8 ZN |
| 14 | 2-00-00594 | 3 | NUT HEX STD FIN .25 20 ZN |
| 15 | 2-00-00585 | 1 | NUT HEX FIN .31 18 ZN |
| 16 | 2-00-00530 | 1 | LK WASH 5/16 MED SEC SPL ZN |
| 17 | 2-00-00208 | 1 | SCW HHC .313 18 X .75 GR5 ZN |
| 19 | 0895-105 | 1 | HARNESS ENGINE DIESEL 104.19 |
| 20 | 0895-085 | 1 | HARNESS INSTRUMENT PANEL REF. |
| 21 | 7-13-07096 | 20 | CLAMP ADJUSTABLE |
| 22 | 2-00-04345 | 5 | TY RAP THOMAS+BETTS TY 28M |
| 23 | 2-00-03063 | 1 | SCREW THM 10 24 X .75 ZN |
| 24 | 2-00-01246 | 1 | 10 24 NYLON INSERT THIN |
| 25 | 2-00-00519 | 1 | LK WASH 10 MED SEC ZN |
| 26 | 2-00-00605 | 1 | NUT HEX MAC SCR 10 24 STL/ZN |
| 27 | 2-00-04937 | 1 | TIE CABLE |
| 28 | 0882-027 | 1 | FILTER SHAKER MOTOR REF. |
| 29 | 2-00-00503 | 5 | LK WASH INT/EXT TOOTH ZN |
| 30 | 8-09-01081 | 2 | BUSHING SNAP |
| 31 | 8-69-00005 | 1 | SENDER OIL PRESSURE REF. |
| 32 | 0895-092 | 1 | WIRE HARNESS ASSY DIESEL |
| 33 | 2-00-05173 | 1 | BOOT PROTECTIVE BLK |

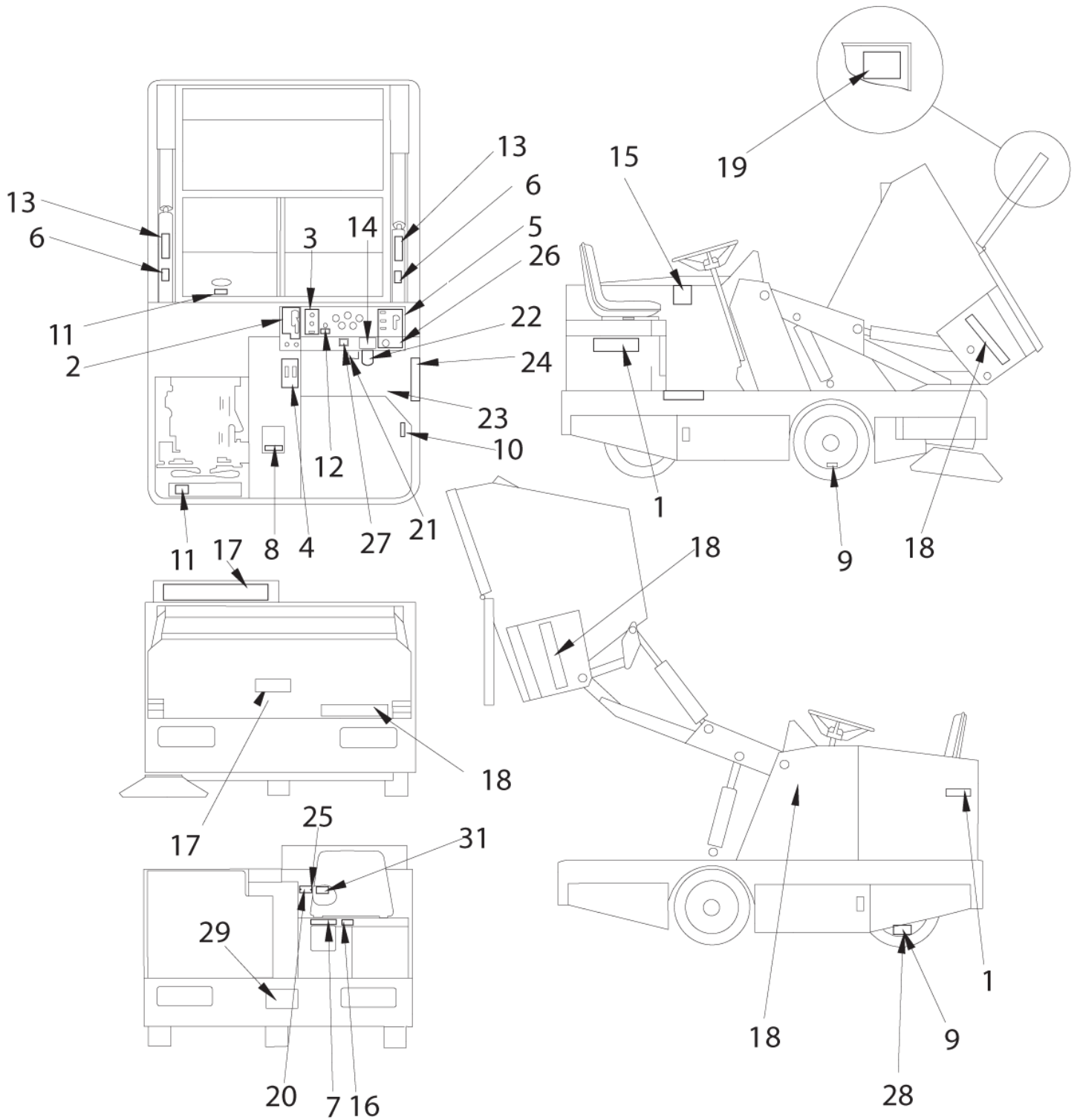
Decals

3366 from Serial No. 586001

17-11-2012

Part List ID
3366S586001077

105



Decals

3366 from Serial No. 586001

17-11-2012

Part List ID
3366S86001077

106

| Pos | Part no. | Qty | Description |
|-----|------------|-----|--------------------------------|
| 1 | 8-18-00460 | 2 | DECAL-3366 |
| 1 | 8-18-00461 | 2 | DECAL-3366XP |
| 2 | 8-18-00381 | 1 | DECAL - MAIN BROOM |
| 3 | 8-18-00382 | 1 | DECAL |
| 4 | 8-18-00385 | 1 | DECAL-CONTROL VALVE |
| 5 | 8-18-00383 | 1 | DECAL |
| 6 | 8-18-00305 | 2 | DECAL-WARNING-PINCH POINT |
| 7 | 8-18-00311 | 1 | DECAL-DIESEL FUEL |
| 9 | 7-18-00159 | 3 | DECAL WARNING PNEU. TIRES |
| 10 | 8-18-00313 | 1 | DECAL SEAT ADJUSTMENT |
| 13 | 8-18-00314 | 2 | DECAL WARNING SERVICE PRECAU |
| 14 | 8-18-00395 | 1 | DECAL KEY SWITCH WARNING |
| 15 | 8-18-00396 | 1 | DECAL GENERAL WARNING |
| 17 | 8-18-00454 | 1 | ALTO DECAL |
| 18 | 8-18-00453 | 3 | A/L TECH DECAL |
| 19 | 8-18-00348 | 1 | DECAL-MAINTENANCE CHART |
| 20 | 8-50-00014 | 1 | NAMEPLATE BLANK TUV |
| 21 | 8-50-05050 | 1 | PAD BRAKE PEDAL |
| 22 | 8-50-05055 | 1 | PAD FWD/REV PEDAL |
| 23 | 8-50-05052 | 1 | PAD DRIVE COMPARTMENT FLOOR |
| 24 | 7-50-05136 | 1 | PAD |
| 25 | 2-00-04115 | 2 | RIVET USM POP ZN PLATE |
| 27 | 8-18-00377 | 1 | DECAL - GLOW PLUG |
| 28 | 8-18-00364 | 1 | DECAL WARNING PNEU L RNG WHEEL |
| 29 | 8-18-00365 | 1 | DECAL WARNING LOCK RING WHEEL |

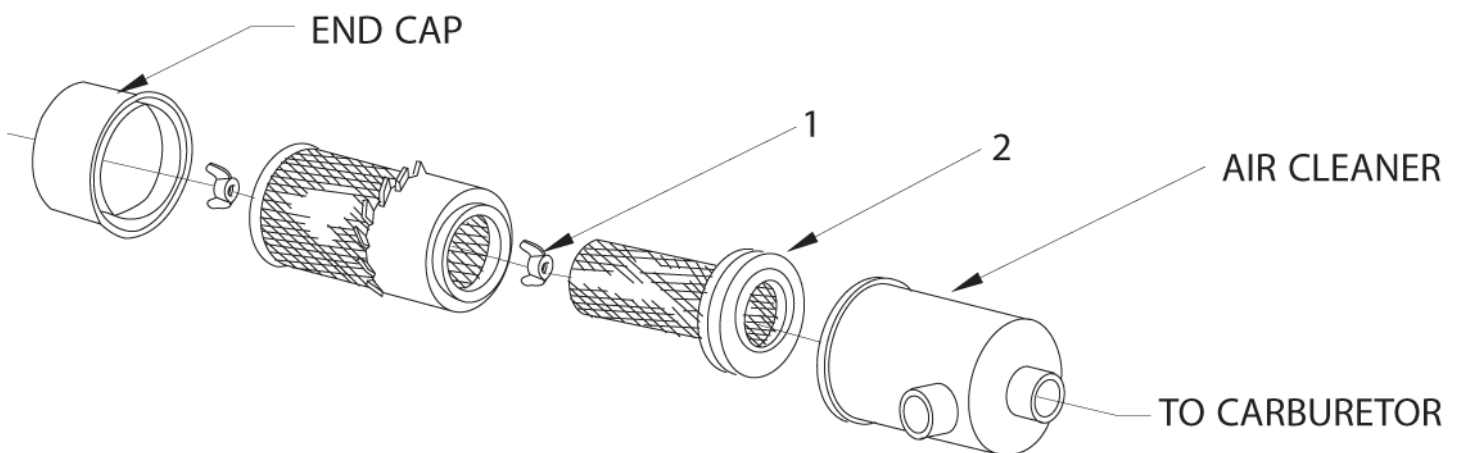
Safety Air Cleaner

3366 from Serial No. 586001

17-11-2012

Part List ID
3366S586001102

107



Safety Air Cleaner

3366 from Serial No. 586001

17-11-2012

Part List ID
3366S86001102

108

| Pos | Part no. | Qty | Description |
|-----|------------|-----|-----------------------------|
| 1 | 8-23-03064 | 1 | WING NUT ASSY |
| 2 | 8-24-04111 | 1 | FILTER ELEMENT SAFETY INNER |
| 3 | 8-24-04106 | 1 | AIR FILTER ELEMENT |

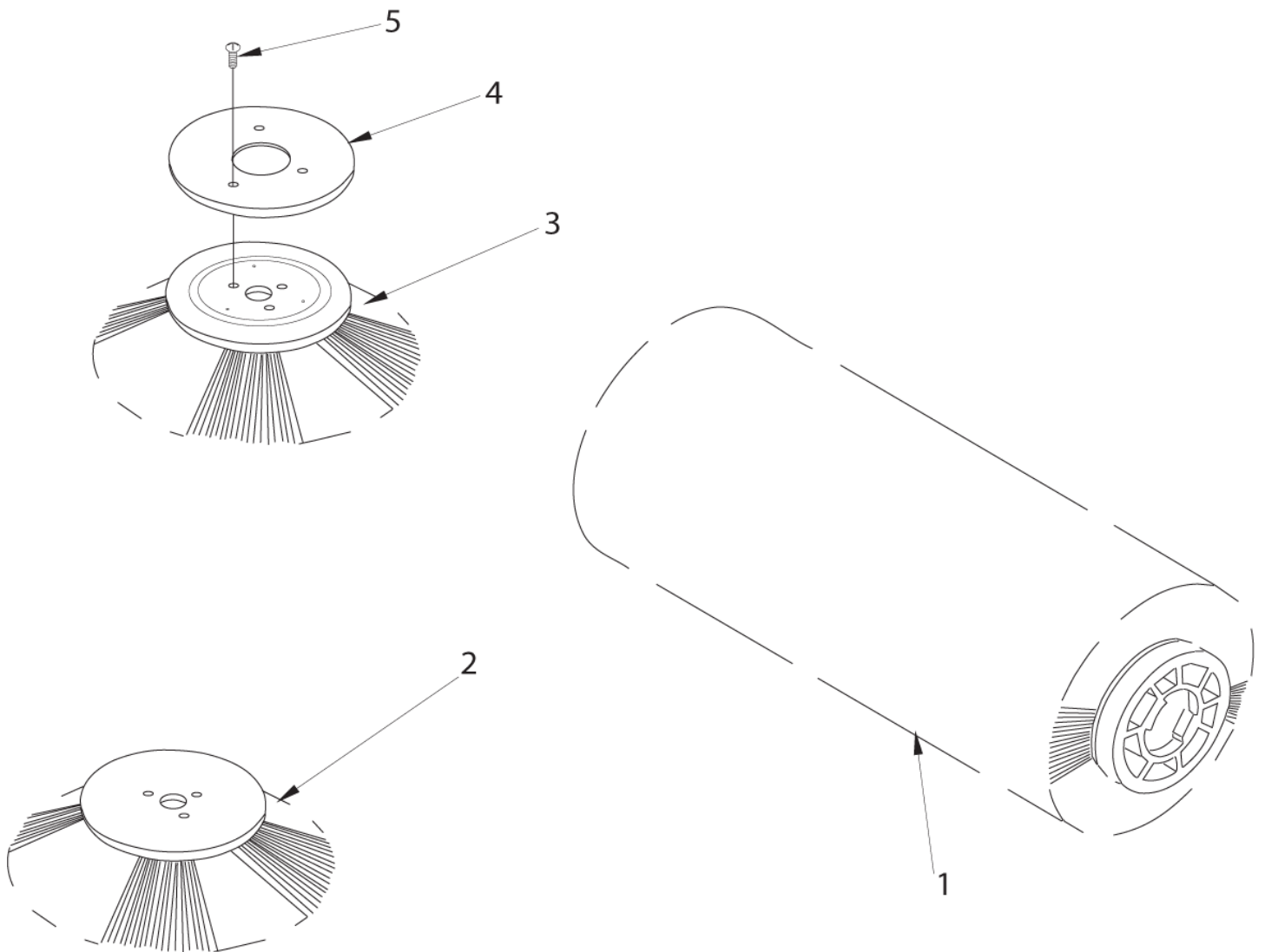
Broom Options

3366 from Serial No. 586001

17-11-2012

Part List ID
3366S586001103

109



Broom Options

3366 from Serial No. 586001

17-11-2012

Part List ID
3366S86001103

110

| Pos | Part no. | Qty | Description |
|-----|------------|-----|-------------------------------|
| 1 | 8-08-03191 | 1 | MAIN BROOM FIBRE AND WIRE |
| 1 | 8-08-03202 | 1 | BROOM MAIN PROEX WIRE |
| 1 | 8-08-03204 | 1 | BROOM MAIN PROEX |
| 1 | 8-08-03207 | 1 | BROOM MAIN NYLON |
| 1 | 8-08-03209 | 1 | BROOM MAIN POLYPROPYLENE |
| 1 | 8-08-03210 | 1 | BROOM MAIN NAT FIBRE WIRE H/D |
| 1 | 8-08-03214 | 1 | BROOM MAIN POLY WIRE |
| 2 | 8-08-03211 | 1 | NYLON SIDE BROOM |
| 2 | 8-08-03212 | 1 | BROOM SIDE PROLENE .060 |
| 3 | 8-08-03199 | 1 | BROOM WIRE SIDE |
| 4 | 8-58-05248 | 1 | PLATE SIDE BROOM RETAINER |
| 5 | 2-00-04121 | 3 | SCREW WOOD PH RHD 10 13X.75 |

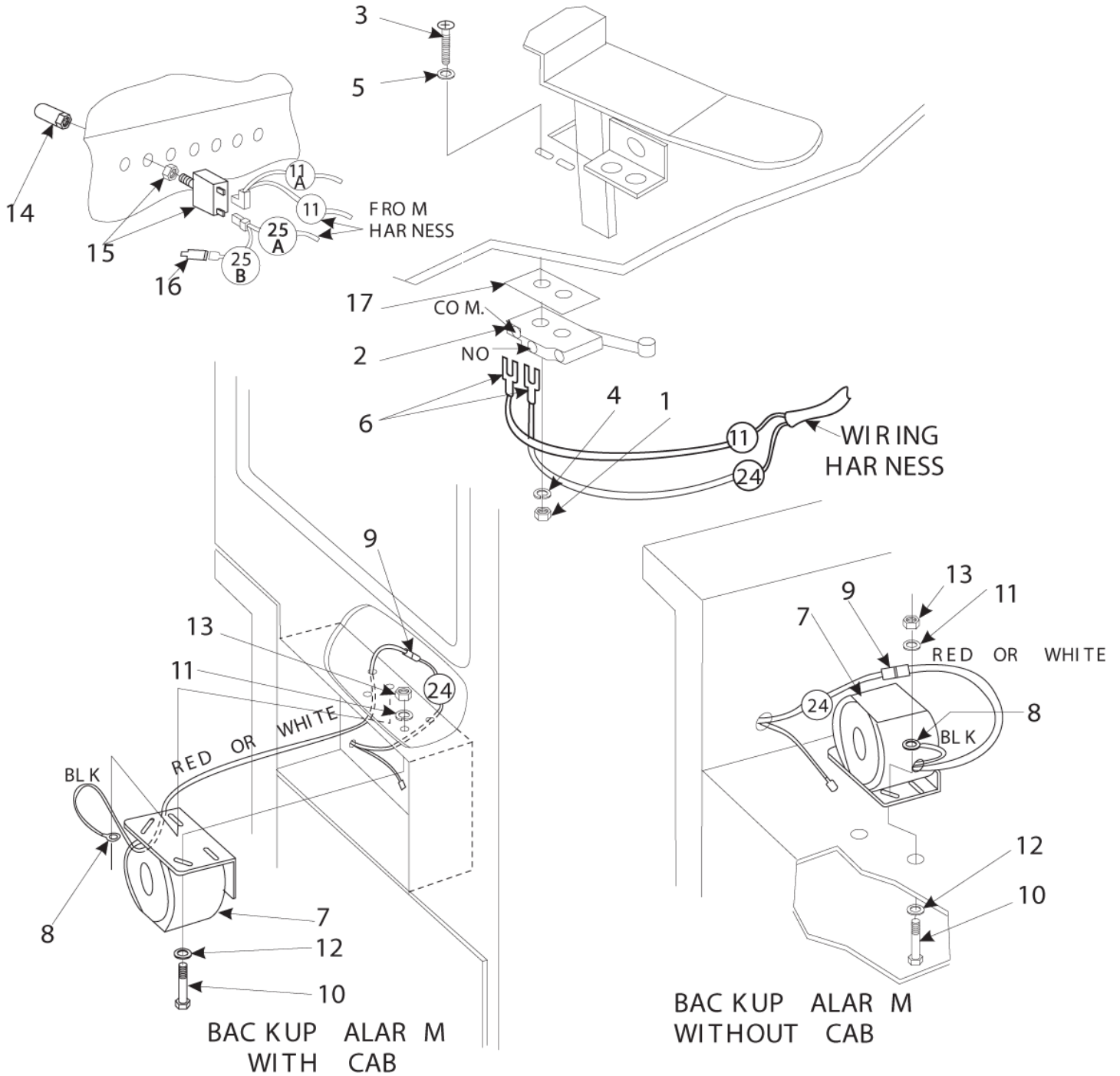
Back-up Alarm

3366 from Serial No. 586001

17-11-2012

Part List ID
3366S586001105

111



P4879

Back-up Alarm

3366 from Serial No. 586001

17-11-2012

Part List ID
3366S86001105

112

| Pos | Part no. | Qty | Description |
|-----|------------|-----|-------------------------------|
| 1 | 2-00-00624 | 2 | NUT HEX MAC SCR 6 32 STL/ZN |
| 2 | 7-82-00009 | 1 | SWITCH |
| 3 | 2-00-05060 | 2 | SCREW PH. RHM 6 32 X 1.25 ZN |
| 4 | 2-00-01499 | 2 | LK WASH HELICAL SPR 6SCR MED. |
| 5 | 2-00-00455 | 2 | WSHR FLAT .375X 156X.047 STL. |
| 6 | 2-00-04808 | 2 | FORK TERMINAL LOCKING |
| 7 | 56409232 | 1 | BACK UP ALARM |
| 8 | 2-00-04282 | 1 | RING TERMINAL INSULATED |
| 9 | 2-00-04578 | 1 | TERMINAL BULLET MALE |
| 10 | 2-00-00213 | 2 | SCREW HHC .313 18 X .625 ZN |
| 11 | 2-00-02303 | 2 | LK WASH INT TOOTH ZINC PL |
| 12 | 2-00-00409 | 2 | WSHR FLAT.688X.344X.063 STL |
| 13 | 2-00-00585 | 2 | NUT HEX FIN .31 18 ZN |
| 14 | 8-11-00044 | 1 | BOOT |
| 15 | 8-64-00008 | 1 | CIRCUIT BREAKER 15 AMP |
| 16 | 8-11-00015 | 1 | SPADE TERMINAL MALE |
| 17 | 7-35-00013 | 1 | INSULATION |

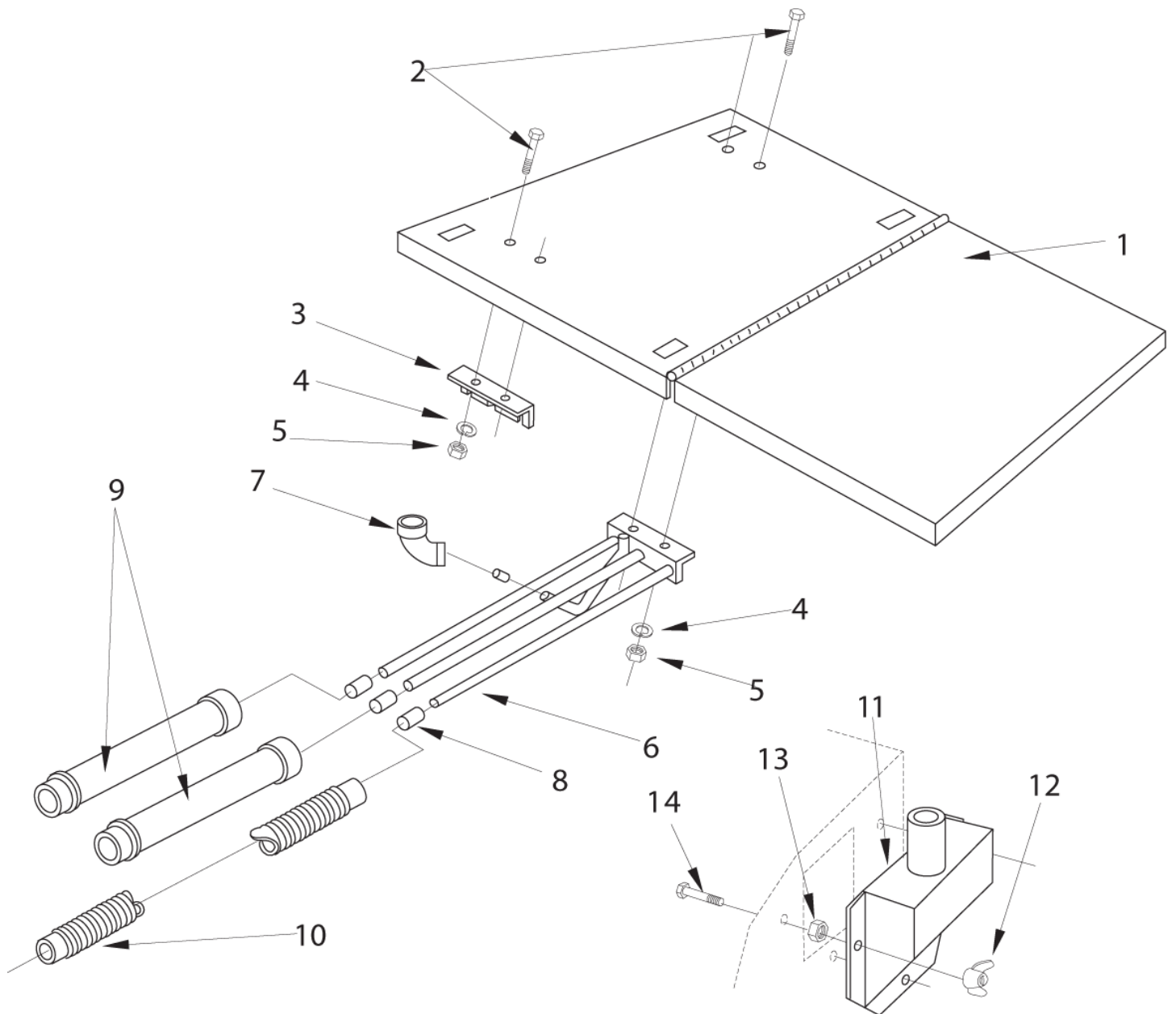
Blower attachment

3366 from Serial No. 586001

17-11-2012

Part List ID
3366S586001106

113



Blower attachment

3366 from Serial No. 586001

17-11-2012

Part List ID
3366S86001106

114

| Pos | Part no. | Qty | Description | |
|-----|------------|-----|--------------------------------|------|
| 1 | 8-16-07319 | 1 | COVER WELDMENT UPPER 3300 | REF. |
| 2 | 2-00-01481 | 4 | SCREW RHM .31 18 X 1.00 SLOTHD | |
| 3 | 8-08-00622 | 1 | BRACKET LATCH | |
| 4 | 2-00-00530 | 4 | LK WASH 5/16 MED SEC SPL ZN | |
| 5 | 2-00-00585 | 4 | NUT HEX FIN .31 18 ZN | |
| 6 | 8-08-00670 | 1 | BRKT. BLOWR COMPONENTS STORAGE | |
| 7 | 8-21-07019 | 1 | ELBOW 90DEG ADAPTER | |
| 8 | 8-11-00034 | 4 | CAP FOR MECH. SWITCH | |
| 9 | 8-89-00002 | 2 | WAND | |
| 10 | 8-33-02121 | 1 | HOSE | |
| 11 | 8-07-06018 | 1 | WLDMT TRANSITION BOX | |
| 12 | 2-00-00672 | 3 | NUT WING .25 20 | |
| 13 | 2-00-00594 | 3 | NUT HEX STD FIN .25 20 ZN | |
| 14 | 2-00-02706 | 3 | SCW HHM .25 20 X 1.00 GR5 ZN | |

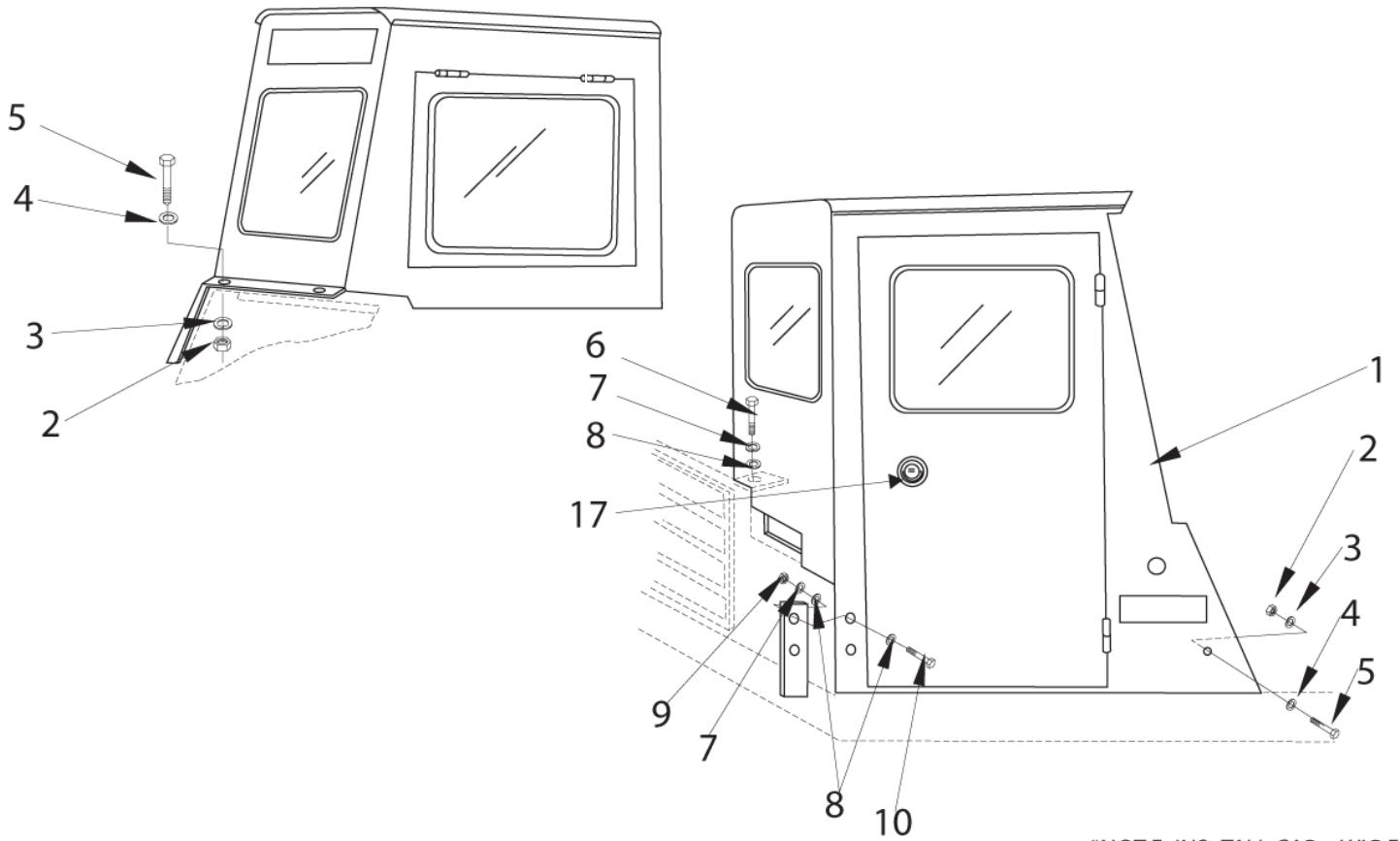
Cab

3366 from Serial No. 586001

17-11-2012

Part List ID
3366S586001107

115



*NOTE: INS TALL CAB WIRE
UNDER DA SH

Cab

3366 from Serial No. 586001

17-11-2012

Part List ID
3366S8600110/

116

| Pos | Part no. | Qty | Description |
|-----|------------|-----|--------------------------------|
| 2 | 2-00-02360 | 3 | NUT HEX FIN .38 16 ZINC PL |
| 3 | 2-00-02310 | 3 | LK WASH HELICAL SPR ZN |
| 4 | 2-00-00402 | 3 | WSHR FL..750X.391X.093 STL ZN |
| 5 | 2-00-00233 | 3 | SCREW HHC .375 16 X 1.00 GR ZN |
| 6 | 2-00-01254 | 1 | SCW HHC .50 13 X 1.50 gr 5 zn |
| 7 | 2-00-02312 | 3 | LK WASHER 1/2 ID MED SEC ZN |
| 8 | 2-00-00405 | 5 | WSHR FLAT 1.063X.531X.094 STL. |
| 9 | 2-00-00596 | 2 | NUT FULL HEX FIN .50 13 ZN |
| 12 | 7-13-07096 | 1 | CLAMP ADJUSTABLE |
| 13 | 8-11-00015 | 4 | SPADE TERMINAL MALE |
| 18 | 8-18-00460 | 1 | DECAL-3366 |
| 19 | 8-18-00461 | 1 | DECAL-3366XP |

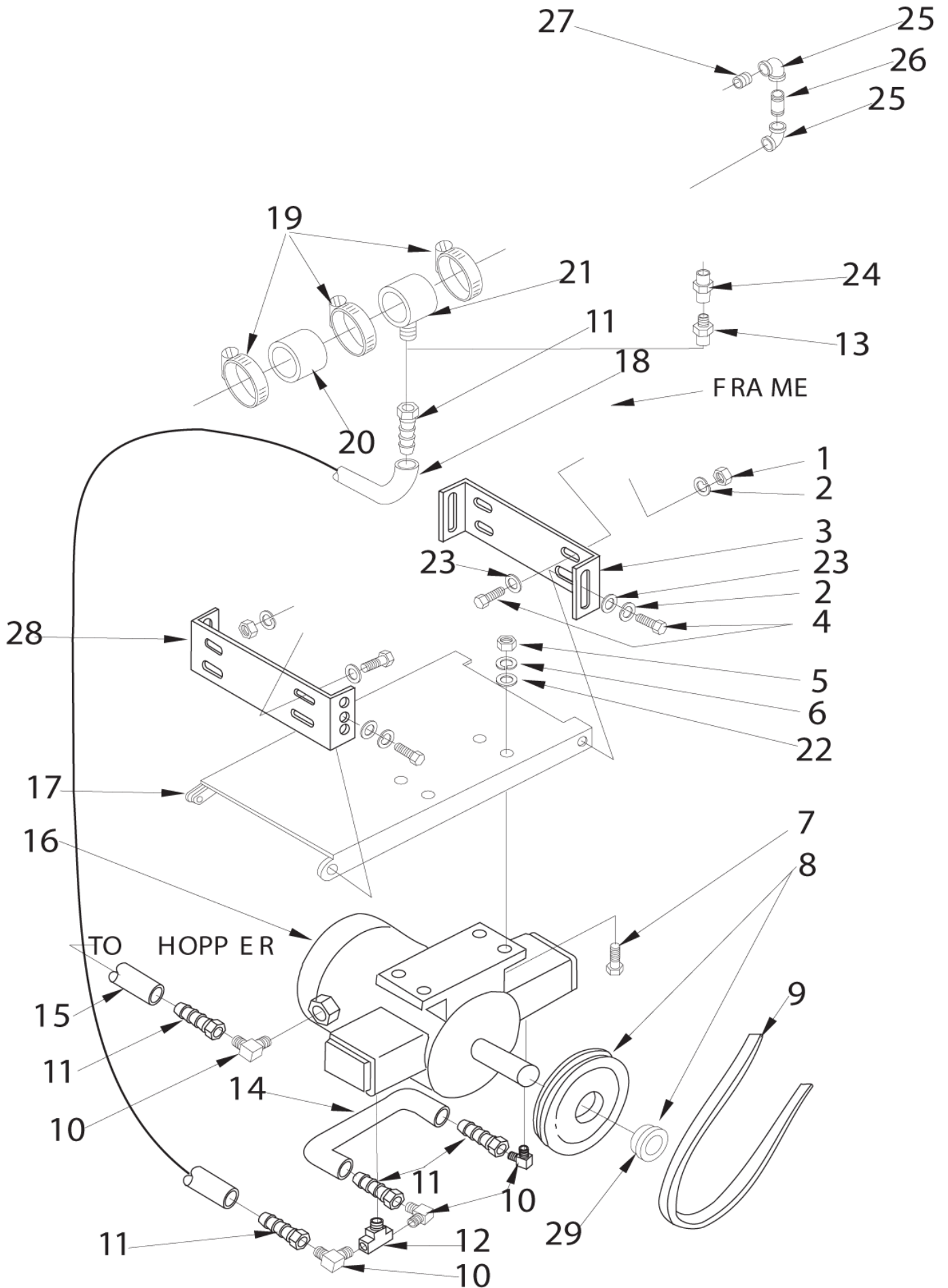
CDC Compressor and Air Intake

3366 from Serial No. 586001

17-11-2012

Part List ID
3366S586001109

117



CDC Compressor and Air Intake

3366 from Serial No. 586001

17-11-2012

Part List ID
3366S86001109

118

| Pos | Part no. | Qty | Description |
|-----|------------|-----|--------------------------------|
| 1 | 2-00-02360 | 4 | NUT HEX FIN .38 16 ZINC PL |
| 2 | 2-00-02310 | 8 | LK WASH HELICAL SPR ZN |
| 4 | 2-00-00233 | 8 | SCREW HHC .375 16 X 1.00 GR ZN |
| 5 | 2-00-00594 | 4 | NUT HEX STD FIN .25 20 ZN |
| 6 | 2-00-00518 | 4 | LK WASH 1/4 MED. SECTION ZN |
| 7 | 2-00-00221 | 4 | SCW HHC .25 20 X .75 GR 8 ZN |
| 8 | 7-60-00173 | 1 | PULLEY MAIN BROOMWELDED |
| 8 | 8-60-00172 | 1 | PULLEY 7.75 O.D. CDC |
| 9 | 2-00-05017 | 1 | BELT 46 INCH |
| 10 | 2-00-04477 | 4 | FITTING PIPE MALE 90 DEG ELBOW |
| 11 | 2-00-04856 | 5 | FITTING-BARBED |
| 12 | 2-00-04498 | 1 | FTG-TEE |
| 14 | 8-33-02166 | 1 | HOSE COMP. CROSS /SE |
| 16 | 0890-006-1 | 1 | CDC COMPRESSOR ASSEMBLY |
| 17 | 8-08-00658 | 1 | WLDMT COMPRESSOR BRKT |
| 19 | 2-00-02216 | 3 | CLAMP IDEAL CO 5232 |
| | | | NOTE 1 |
| 22 | 2-00-03702 | 4 | WSHR FL..625X281X.063 STL.ZN |
| 23 | 2-00-00402 | 8 | WSHR FL..750X391X.093 STL ZN |
| 25 | 2-00-03702 | 1 | WSHR FL..625X281X.063 STL.ZN |
| 28 | 8-08-00719 | 1 | BRACKET OUTSIDE COMPRESS |
| 29 | 2-00-02084 | 1 | BELT V |
| 29 | 8-60-00171 | 1 | BUSHING |

NOTE 1: Order and position vary with installed engine.

Ersatzteile auf www.gluesing.net

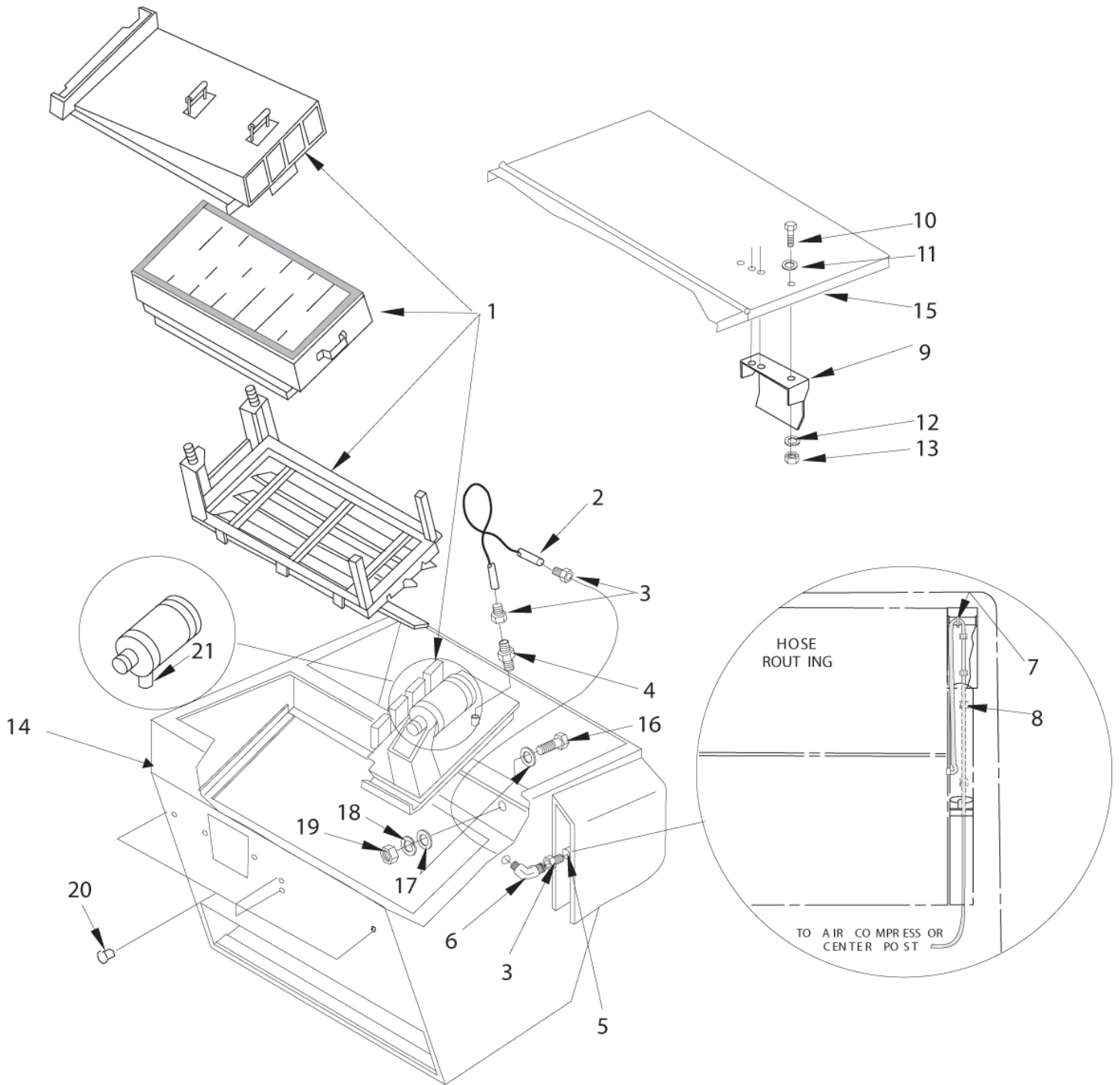
CDC Air Filter

3366 from Serial No. 586001

17-11-2012

Part List ID
3366S586001111

119



P4893a

CDC Air Filter

3366 from Serial No. 586001

17-11-2012

Part List ID
3366S86001111

120

| Pos | Part no. | Qty | Description | |
|-----|------------|-----|--------------------------------|-----------|
| 0 | 0880-336 | 1 | TIMER KIT | NOT SHOWN |
| 0 | 0880-465 | 1 | REPAIR KIT FLUSHING VALVE CDC | NOT SHOWN |
| 1 | 8-24-04142 | 1 | FILTER C.D.C. SERVICE PART | |
| 2 | 8-33-02239 | 1 | HOSE HOPPER TO CDC TANK /SE | |
| 3 | 2-00-04856 | 1 | FITTING-BARBED | |
| 4 | 2-00-05001 | 1 | FITTING- ADAPTER PIPE TO JIC | |
| 5 | 8-33-02239 | 1 | HOSE HOPPER TO CDC TANK /SE | |
| 6 | 2-00-04857 | 1 | BULKHEAD-UNION ELBOW | |
| 7 | 2-00-04345 | 1 | TY RAP THOMAS+BETTS TY 28M | |
| 8 | 7-13-07096 | 4 | CLAMP ADJUSTABLE | |
| 14 | 8-32-06096 | 1 | WELDMENT HOPPER 3366 | REF. |
| 15 | 8-16-07320 | 1 | COVER WELDMENT | REF. |
| 16 | 2-00-00239 | 1 | SCW HHC .50 13 X 1.00 GR5 ZN | |
| 17 | 2-00-00405 | 2 | WSHR FLAT 1.063X.531X.094 STL. | |
| 18 | 2-00-02312 | 1 | LK WASHER 1/2 ID MED SEC ZN | |
| 19 | 2-00-02371 | 1 | NUT HEX JAM .50 13 ZN | |
| 20 | 2-00-04757 | 4 | PLUG BUTTON | |
| 23 | 2-00-00221 | 4 | SCW HHC .25 20 X .75 GR 8 ZN | |
| 24 | 2-00-01676 | 4 | WSHR FLAT 1.063X.266X.063 STL. | |
| 25 | 2-00-00518 | 4 | LK WASH 1/4 MED. SECTION ZN | |
| 26 | 2-00-00594 | 4 | NUT HEX STD FIN .25 20 ZN | |

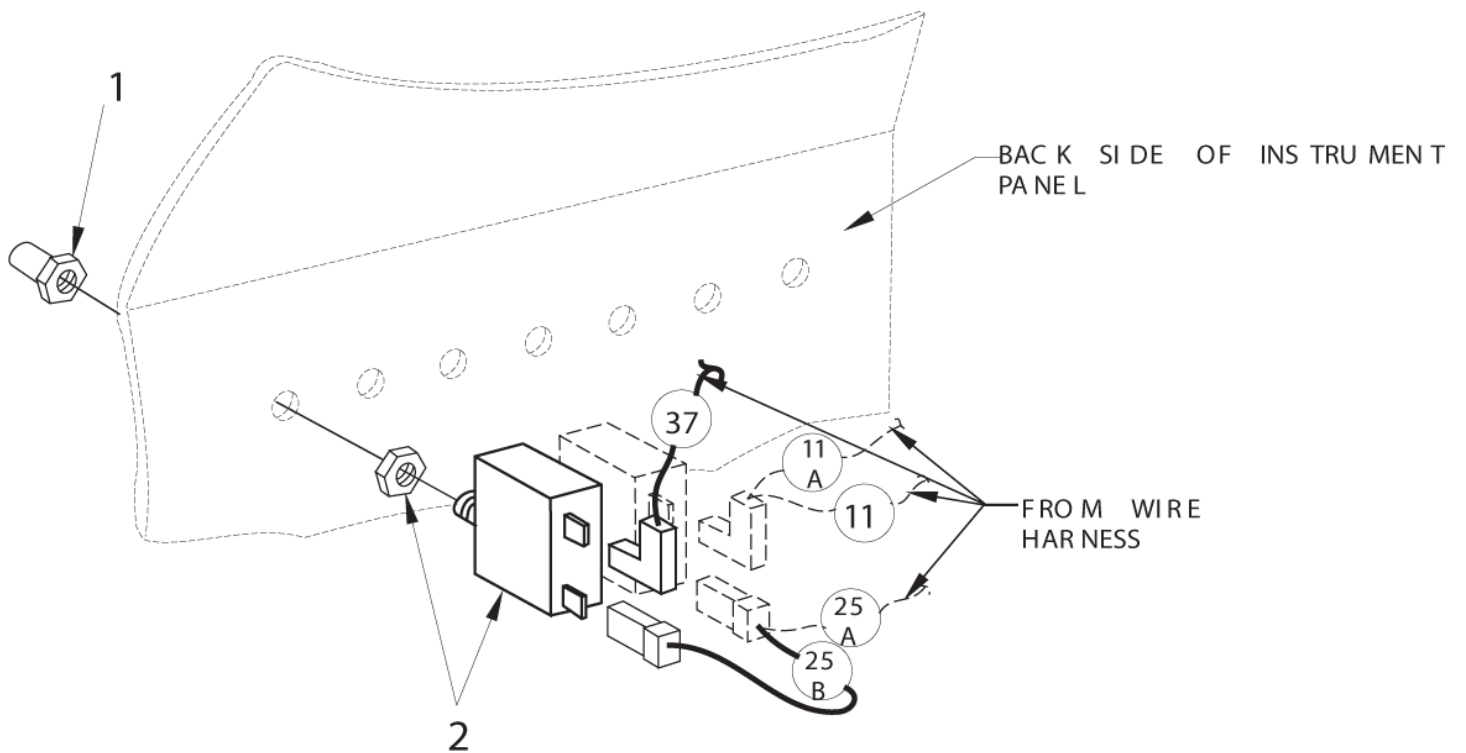
Circuit Breakers for Cab

3366 from Serial No. 586001

17-11-2012

Part List ID
3366S586001112

121



Circuit Breakers for Cab

3366 from Serial No. 586001

17-11-2012

Part List ID
3366S86001112

122

| Pos | Part no. | Qty | Description |
|-----|------------|-----|------------------------|
| 1 | 8-11-00044 | 1 | BOOT |
| 2 | 8-64-00008 | 1 | CIRCUIT BREAKER 15 AMP |

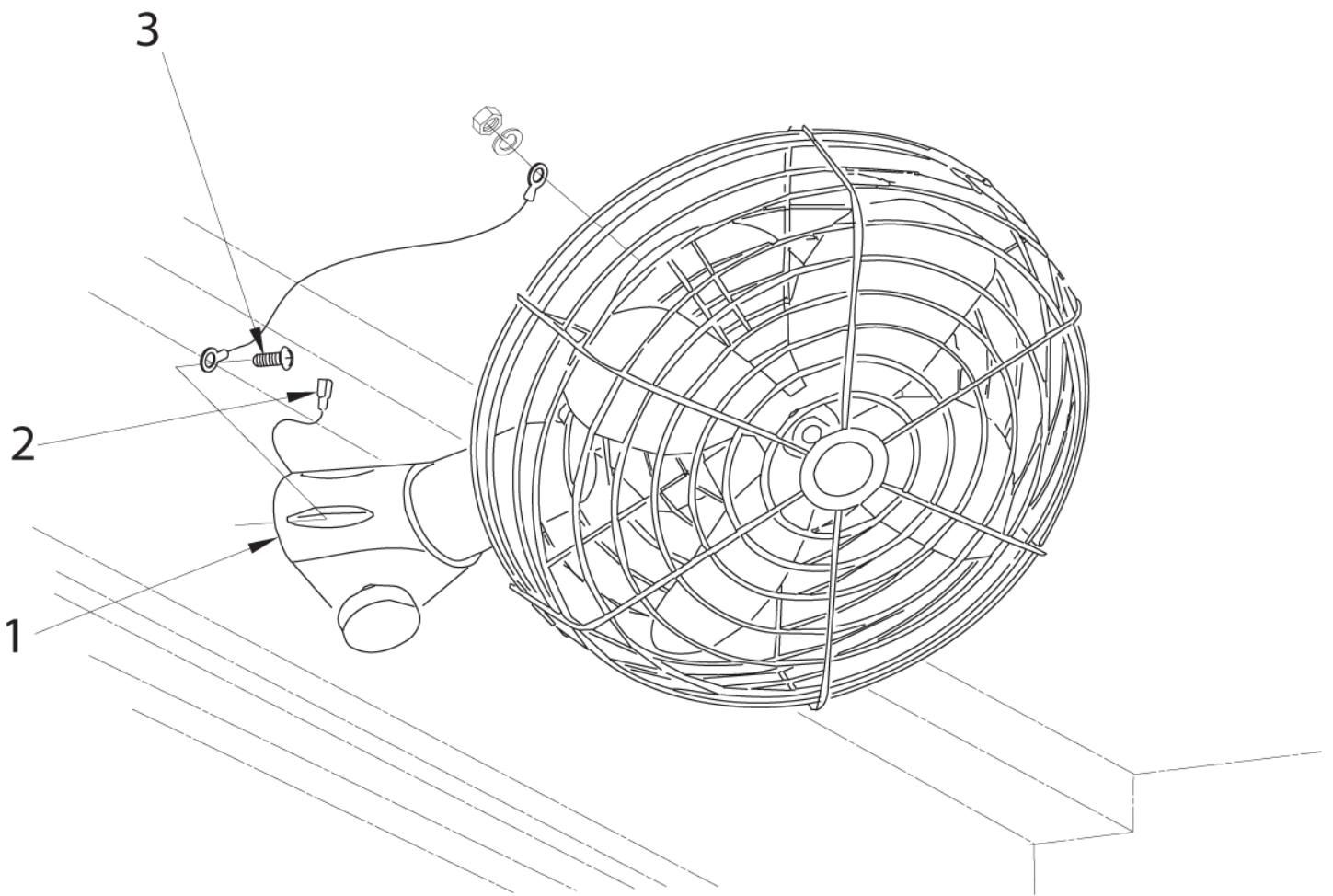
Defroster Fan

3366 from Serial No. 586001

17-11-2012

Part List ID
3366S586001113

123



Defroster Fan

3366 from Serial No. 586001

17-11-2012

Part List ID
3366S86001113

124

| Pos | Part no. | Qty | Description |
|-----|------------|-----|---------------------------|
| 2 | 8-11-00015 | 1 | SPADE TERMINAL MALE |
| 3 | 2-00-00049 | 4 | SCW RHM 10 24 X .50 ZN PL |

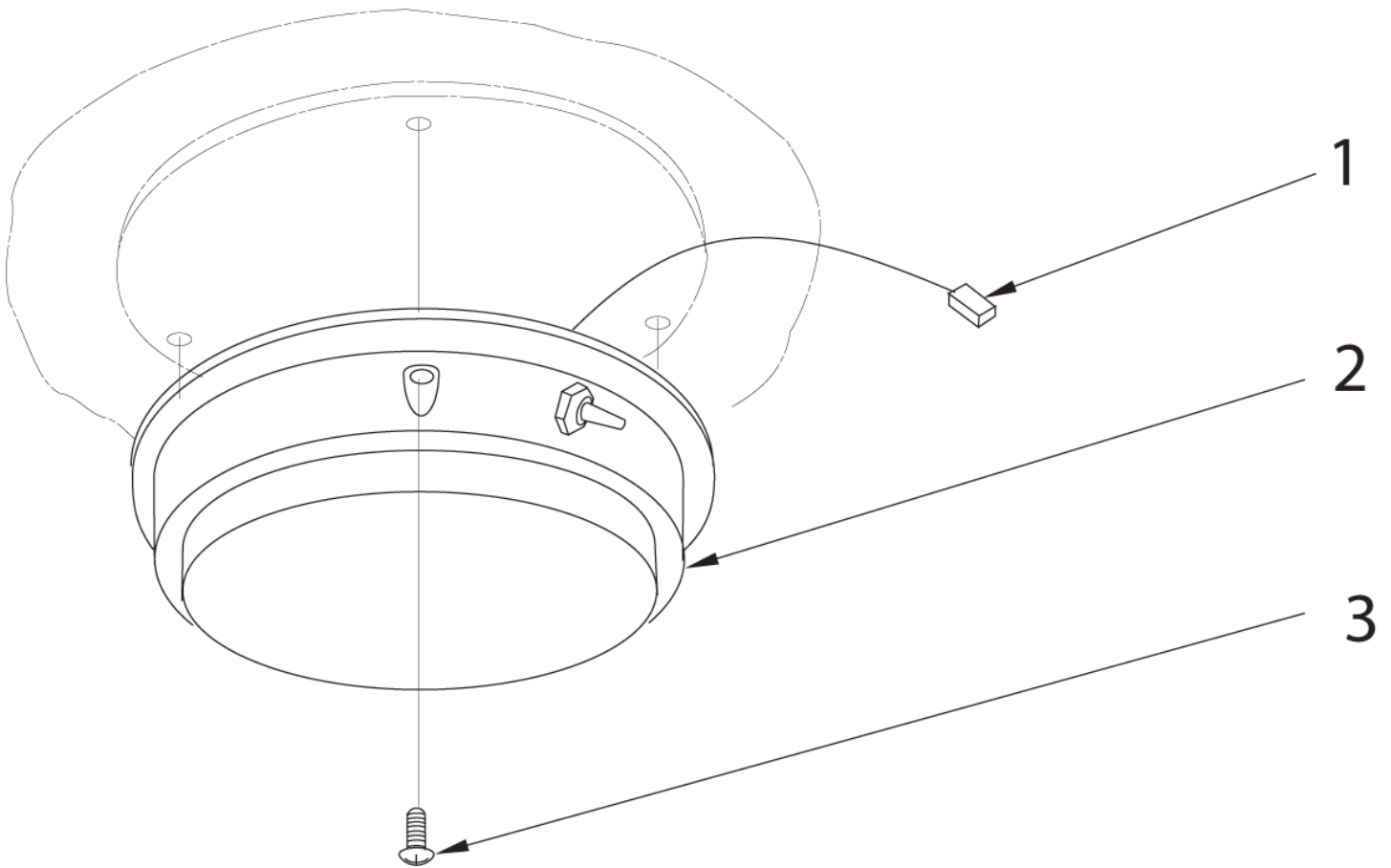
Dome Light

3366 from Serial No. 586001

17-11-2012

Part List ID
3366S586001114

125



Dome Light

3366 from Serial No. 586001

17-11-2012

Part List ID
3366S86001114

126

| Pos | Part no. | Qty | Description |
|-----|------------|-----|---------------------------|
| 1 | 8-11-00015 | 1 | SPADE TERMINAL MALE |
| 2 | 56109264 | 1 | DOME LIGHT |
| 3 | 2-00-00044 | 3 | SCREW PH RHM 8 32 X.50 ZN |

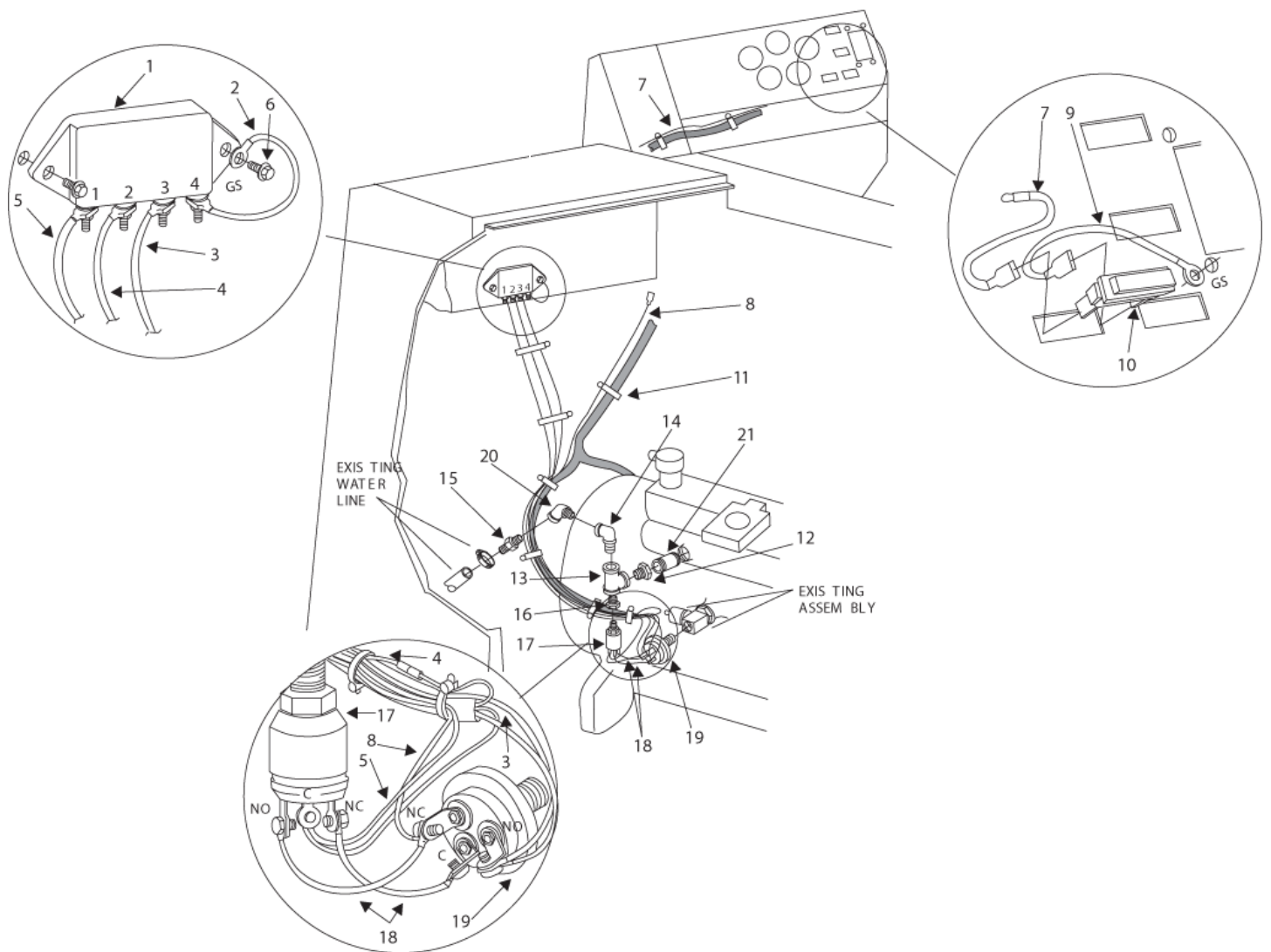
Ford 413 VSG Engine Shutdown

3366 from Serial No. 586001

17-11-2012

Part List ID
3366S586001115

127



Ford 413 VSG Engine Shutdown

3366 from Serial No. 586001

17-11-2012

Part List ID
3366S8600111b

128

| Pos | Part no. | Qty | Description |
|-----|------------|-----|--------------------------------|
| 1 | 8-64-00004 | 1 | RELAY AUTOMATIC OVERRIDE |
| 6 | 2-00-04312 | 2 | SCREW T/C SL. HWH 10 24X63 |
| 7 | 8-90-07364 | 1 | WIRE WARN LIGHT TO BULLET PLG |
| 9 | 8-90-07371 | 1 | WIRE GS TO WARNING LIGHT |
| 10 | 7-40-05028 | 1 | LIGHT |
| 11 | 2-00-04345 | 10 | TY RAP THOMAS+BETTS TY 28M |
| 12 | 2-00-03407 | 1 | CLAMP WITTECK 10P |
| 13 | 2-95-02537 | 1 | TEE GALV .50 |
| 14 | 2-00-04616 | 1 | FITTING |
| 15 | 7-25-02040 | 1 | HOSE FITTING |
| 16 | 8-09-01070 | 1 | BUSHING ALARMSTAT ENGINE WATER |
| 17 | 8-63-05011 | 1 | REGULATOR ALARMSTAT |
| 19 | 8-63-05013 | 1 | REGULATOR PRESSURESTAT |
| 20 | 7-29-00174 | 1 | GASKET USE 7-29-00141 |

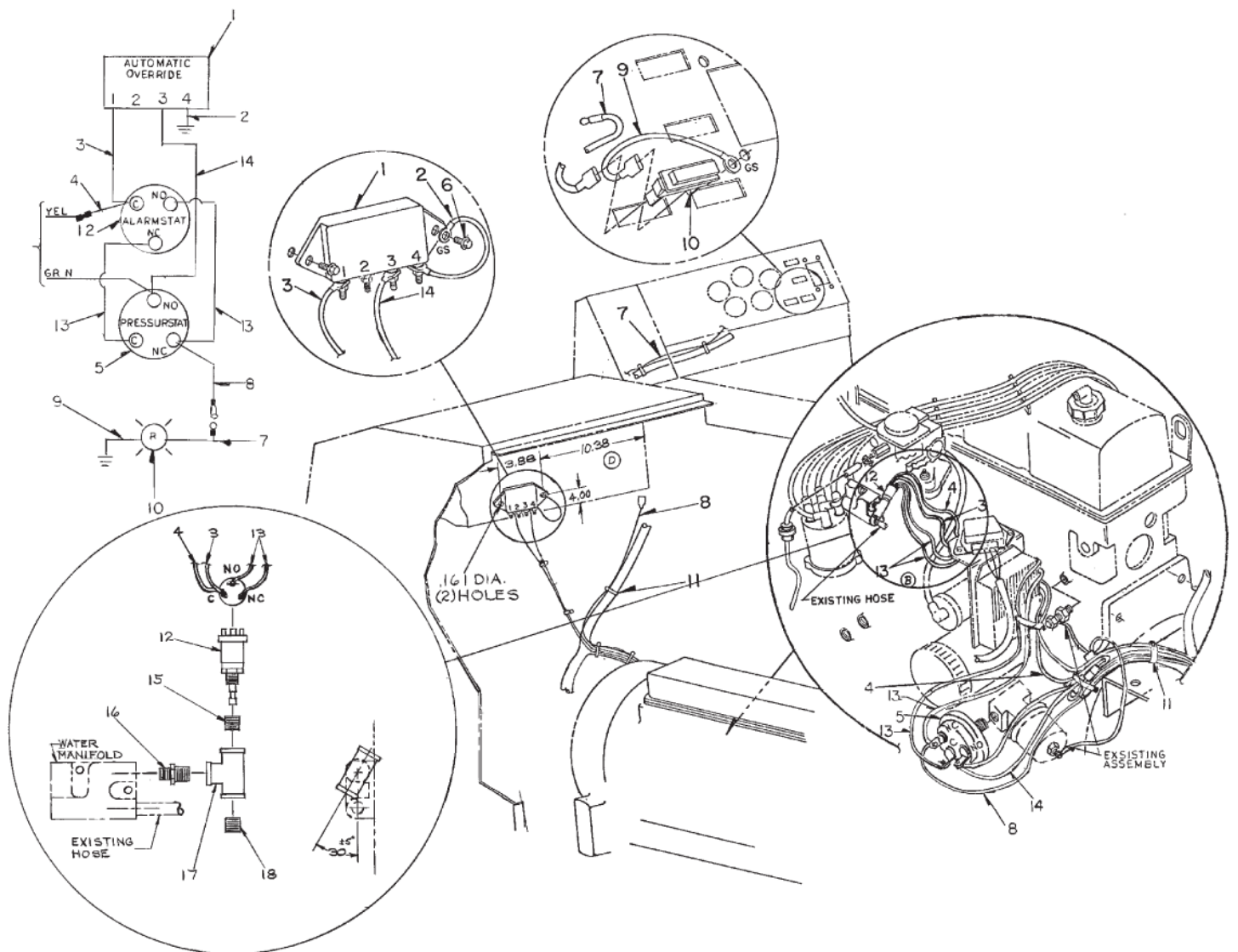
Ford LRG 425 Engine Shutdown

3366 from Serial No. 586001

17-11-2012

Part List ID
3366S586001116

129



Ford LRG 425 Engine Shutdown

3366 from Serial No. 586001

17-11-2012

Part List ID
3366S86001116

130

| Pos | Part no. | Qty | Description |
|-----|------------|-----|--------------------------------|
| 1 | 8-64-00004 | 1 | RELAY AUTOMATIC OVERRIDE |
| 3 | 8-90-07374 | 1 | WIRE AUTO OVERRIDE 3 TO PRESS |
| 5 | 8-63-05013 | 1 | REGULATOR PRESSURESTAT |
| 6 | 2-00-04312 | 2 | SCREW T/C SL. HWH 10 24X63 |
| 7 | 8-90-07364 | 1 | WIRE WARN LIGHT TO BULLET PLG |
| 8 | 8-90-07373 | 1 | WIRE BULLET RECPT. TO PRESSURE |
| 9 | 8-90-07371 | 1 | WIRE GS TO WARNING LIGHT |
| 10 | 7-40-05028 | 1 | LIGHT |
| 11 | 2-00-04345 | 10 | TY RAP THOMAS+BETTS TY 28M |
| 12 | 8-63-05011 | 1 | REGULATOR ALARMSTAT |
| 14 | 8-90-07374 | 1 | WIRE AUTO OVERRIDE 3 TO PRESS |
| 15 | 8-09-01070 | 1 | BUSHING ALARMSTAT ENGINE WATER |
| 16 | 2-00-04638 | 1 | PIPE NIPPLE |
| 17 | 2-95-02537 | 1 | TEE GALV .50 |
| 18 | 2-00-02474 | 1 | PLUG PIPE GALV .50 |

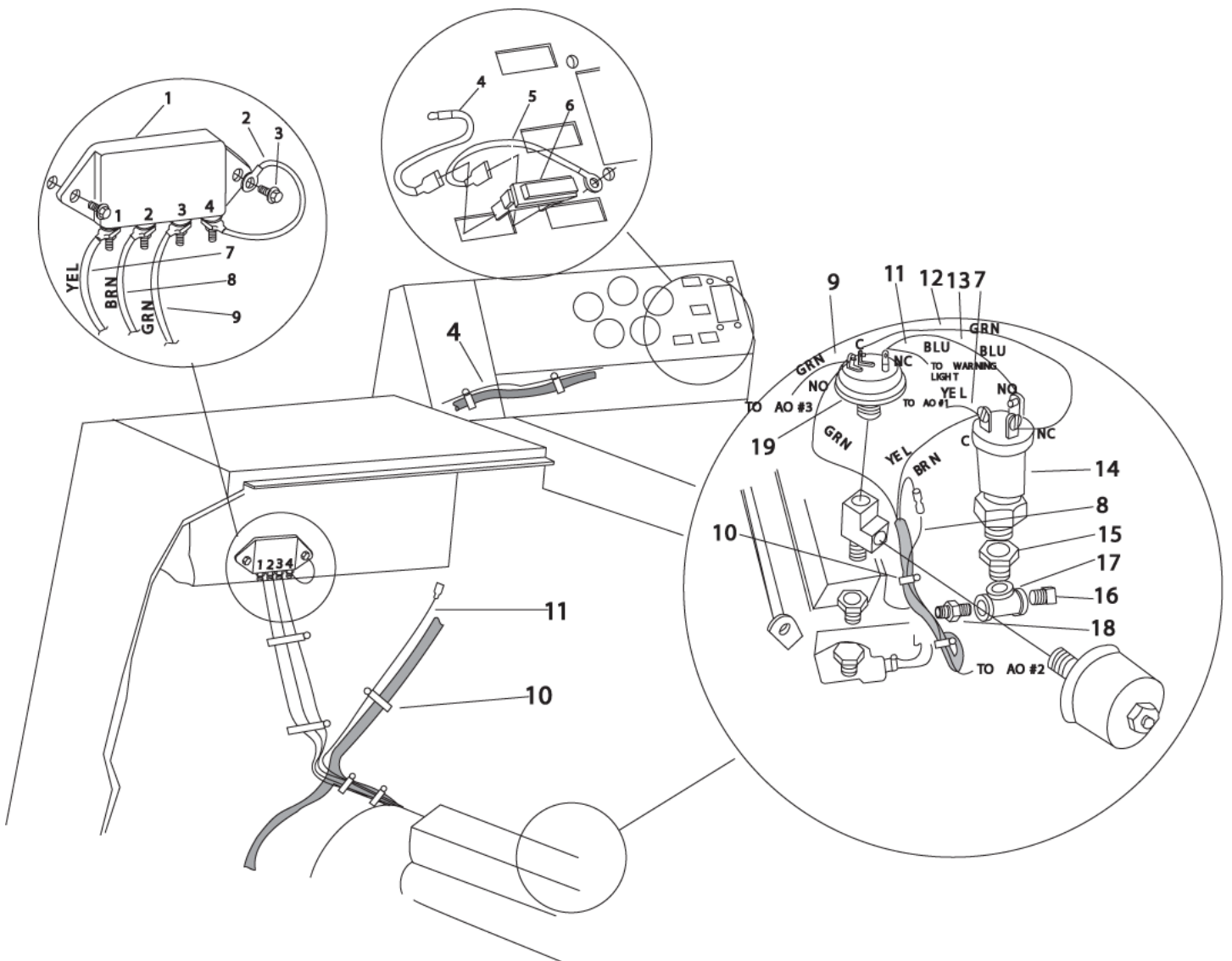
Perkins 104.19 Engine Shutdown

3366 from Serial No. 586001

17-11-2012

Part List ID
3366S586001117

131



Perkins 104.19 Engine Shutdown

3366 from Serial No. 586001

17-11-2012

Part List ID
3366S8600111/

132

| Pos | Part no. | Qty | Description |
|-----|------------|-----|--------------------------------|
| 1 | 8-64-00004 | 1 | RELAY AUTOMATIC OVERRIDE |
| 3 | 2-00-04312 | 2 | SCREW T/C SL. HWH 10 24X63 |
| 4 | 8-90-07364 | 1 | WIRE WARN LIGHT TO BULLET PLG |
| 5 | 8-90-07371 | 1 | WIRE GS TO WARNING LIGHT |
| 6 | 7-40-05028 | 1 | LIGHT |
| 8 | 8-90-07399 | 1 | WIRE AUTO OR 2 TO BUTT SPLICE |
| 9 | 8-90-07400 | 1 | WIRE AUTO OR 3 TO PRST NO |
| 10 | 2-00-04345 | 11 | TY RAP THOMAS+BETTS TY 28M |
| 12 | 8-90-07402 | 1 | WIRE - PRST C TO ALST NC |
| 13 | 8-90-07401 | 1 | WIRE PRST NC TO ALST NO |
| 14 | 8-63-05012 | 1 | REGULATOR ALARM STAT |
| 15 | 8-09-01070 | 1 | BUSHING ALARMSTAT ENGINE WATER |
| 16 | 2-00-02474 | 1 | PLUG PIPE GALV .50 |
| 17 | 2-95-02537 | 1 | TEE GALV .50 |
| 18 | 2-00-04638 | 1 | PIPE NIPPLE |
| 19 | 8-63-05013 | 1 | REGULATOR PRESSURESTAT |

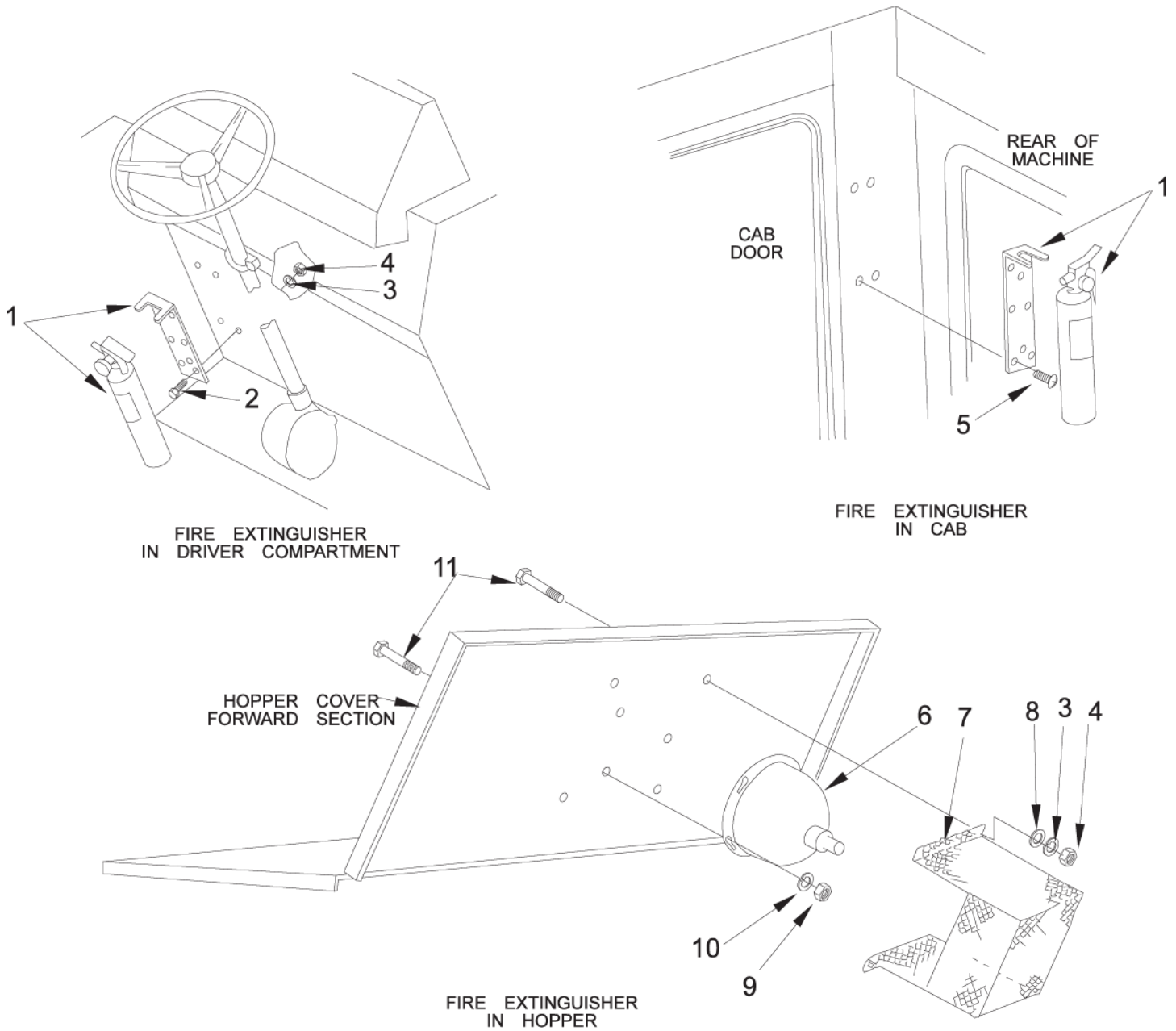
Fire Extinguisher

3366 from Serial No. 586001

17-11-2012

Part List ID
3366S586001118

133



Fire Extinguisher

3366 from Serial No. 586001

17-11-2012

Part List ID
3366S86001118

134

| Pos | Part no. | Qty | Description |
|-----|------------|-----|-------------------------------|
| 1 | 8-83-04033 | 1 | FIRE EXTINGUISHER 2 1/2 POUND |
| 2 | 2-00-00221 | 4 | SCW HHC .25 20 X .75 GR 8 ZN |
| 3 | 2-00-00518 | 8 | LK WASH 1/4 MED. SECTION ZN |
| 4 | 2-00-03546 | 8 | USE 2-00-00594 |
| 5 | 2-95-01998 | 4 | SCREW T/FRH 14 10X75 |
| 6 | 8-83-04023 | 1 | TANK FIRE EXTINGUISHER /SE |
| 8 | 2-00-00447 | 4 | WSHR FLT 1.25X281X09 ZN |
| 9 | 2-00-00641 | 3 | NUT INS FIBRE .25 20 ZN PL |
| 10 | 2-00-03702 | 3 | WSHR FL..625X281X063 STL.ZN |
| 11 | 2-00-00051 | 7 | SCREW RHM .25 20 X .75 |

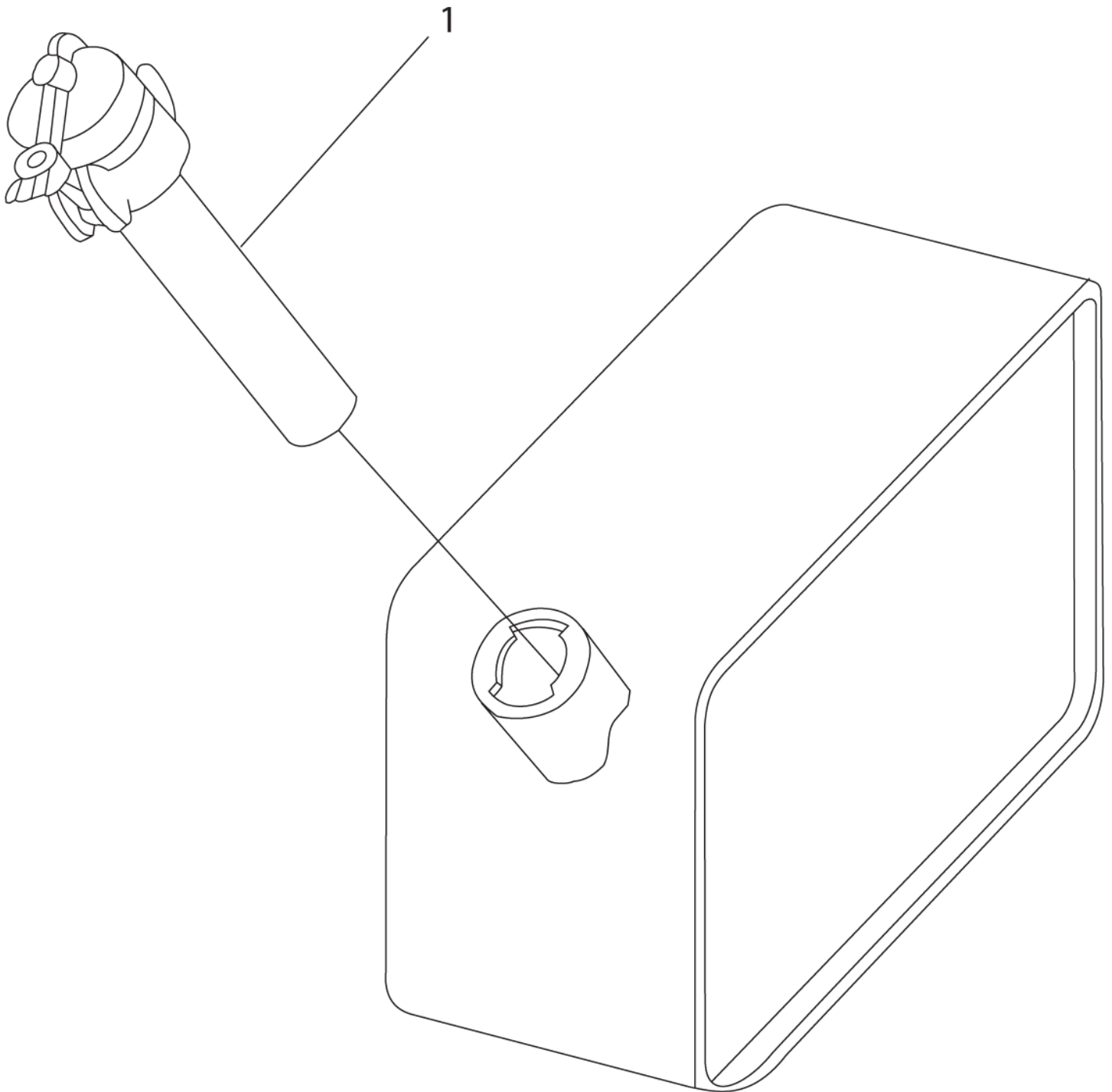
Flame Arresting Gas Cap

3366 from Serial No. 586001

17-11-2012

Part List ID
3366S586001119

135



Flame Arresting Gas Cap

3366 from Serial No. 586001

17-11-2012

Part List ID
3366S86001119

136

| Pos | Part no. | Qty | Description |
|-----|------------|-----|------------------------|
| 1 | 8-11-00024 | 1 | CAP GAS ARRESTOR FLAME |

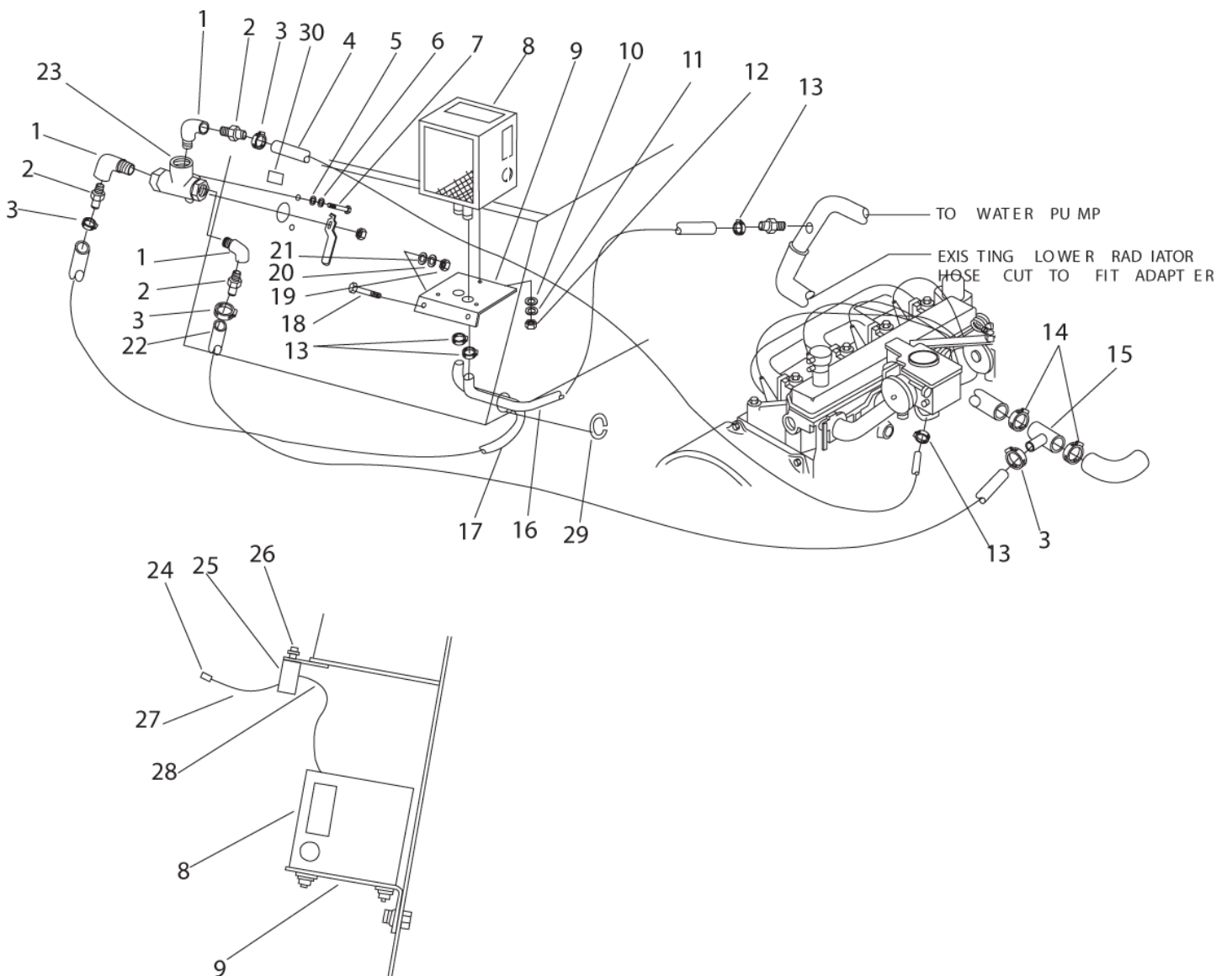
Hot Water Heater (Cap) Ford VSG 413

3366 from Serial No. 586001

17-11-2012

Part List ID
3366S586001121

137



Hot Water Heater (Cap) Ford VSG 413

3366 from Serial No. 586001

17-11-2012

Part List ID
3366S86001121

138

| Pos | Part no. | Qty | Description |
|-----|------------|-----|------------------------------|
| 0 | 0880-603-1 | 1 | HEATER OPTION |
| 1 | 2-00-04328 | 3 | ELBOW STREET 90 DEG .50NPT |
| 2 | 7-25-02040 | 3 | HOSE FITTING |
| 3 | 2-00-03407 | 4 | CLAMP WITTECK 10P |
| 6 | 2-00-00519 | 2 | LK WASH 10 MED SEC ZN |
| 7 | 2-00-03059 | 2 | SCW PH.THM 10 24 X .38 ZN |
| 14 | 2-00-03404 | 2 | CLAMP WITTECK C24P |
| 18 | 2-00-00208 | 2 | SCW HHC .313 18 X .75 GR5 ZN |
| 19 | 2-00-00585 | 2 | NUT HEX FIN .31 18 ZN |
| 20 | 2-00-00530 | 2 | LK WASH 5/16 MED SEC SPL ZN |
| 21 | 2-00-00409 | 2 | WSHR FLAT.688X.344X.063 STL |
| 23 | 8-88-00043 | 1 | HEATER VALVE |
| 24 | 2-00-04479 | 1 | QUICK CONNECT SPLICE |
| 29 | 8-08-07048 | 1 | EDGING |
| 30 | 8-18-00331 | 1 | DECAL HEATER VALVE |

All the Above Parts are Heater Option #0880-603-1

Ersatzteile auf www.gluesing.net

Hot Water Heater (Cap) Ford LRG 425

3366 from Serial No. 586001

17-11-2012

Part List ID
3366S86001123

140

| Pos | Part no. | Qty | Description |
|-----|------------|-----|------------------------------|
| 0 | 0880-603-1 | 1 | HEATER OPTION |
| 1 | 2-00-04328 | 3 | ELBOW STREET 90 DEG .50NPT |
| 2 | 7-25-02040 | 5 | HOSE FITTING |
| 3 | 2-00-03407 | 6 | CLAMP WITTECK 10P |
| 6 | 2-00-00519 | 2 | LK WASH 10 MED SEC ZN |
| 7 | 2-00-03059 | 2 | SCW PH.THM 10 24 X .38 ZN |
| 14 | 2-00-03404 | 2 | CLAMP WITTECK C24P |
| 18 | 2-00-00208 | 2 | SCW HHC .313 18 X .75 GR5 ZN |
| 19 | 2-00-00585 | 2 | NUT HEX FIN .31 18 ZN |
| 20 | 2-00-00530 | 2 | LK WASH 5/16 MED SEC SPL ZN |
| 21 | 2-00-00409 | 2 | WSHR FLAT.688X.344X.063 STL |
| 23 | 8-88-00043 | 1 | HEATER VALVE |
| 24 | 2-00-04479 | 1 | QUICK CONNECT SPLICE |
| 29 | 8-64-00008 | 1 | CIRCUIT BREAKER 15 AMP |
| 30 | 8-11-00044 | 1 | BOOT |
| 31 | 8-08-07048 | 1 | EDGING |
| 32 | 8-18-00331 | 1 | DECAL HEATER VALVE |

All the Above Parts are Heater Option #0880-603-1

Ersatzteile auf www.gluesing.net

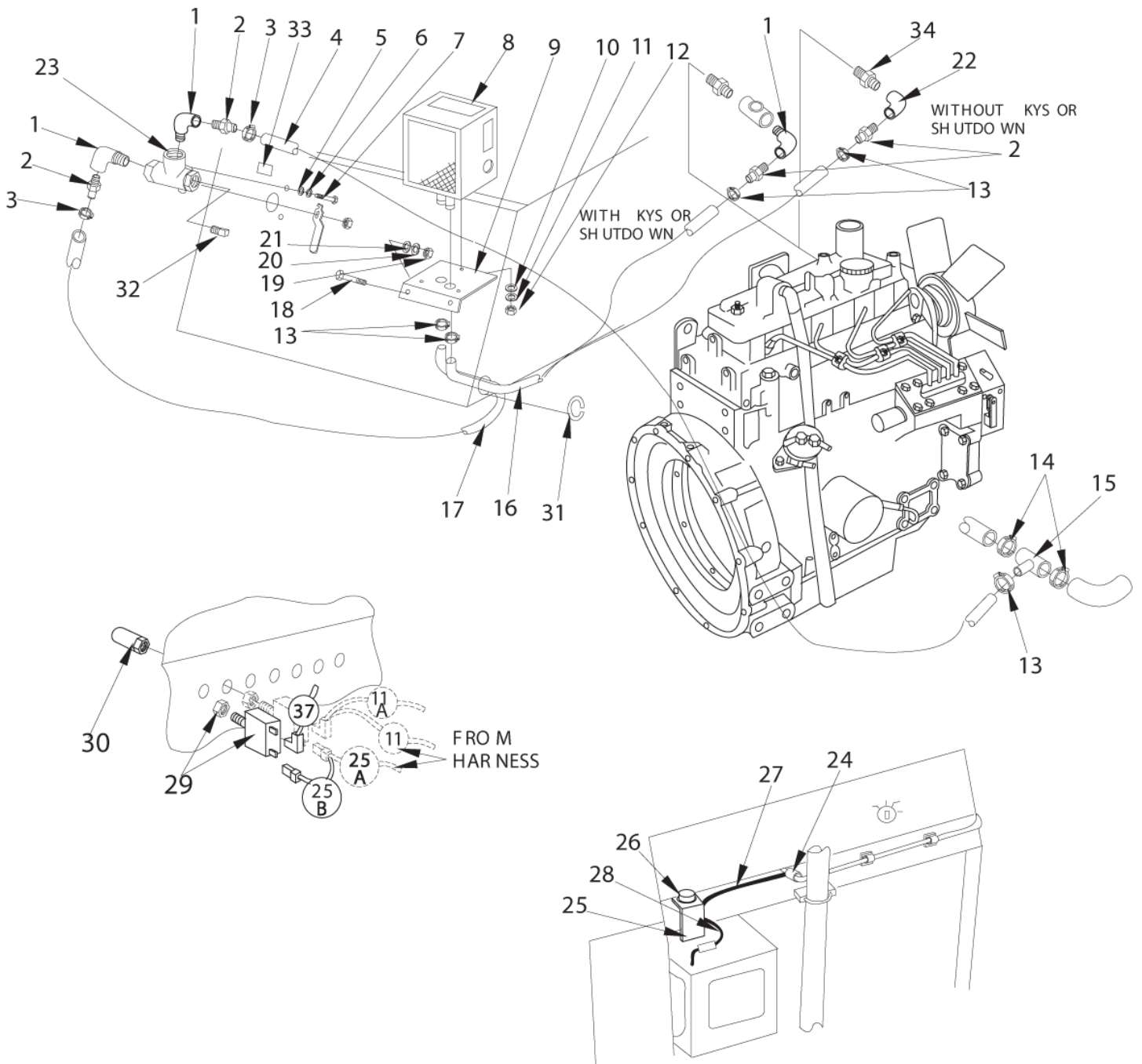
Hot Water Heater (Cap) Perkins Diesel

3366 from Serial No. 586001

17-11-2012

Part List ID
3366S586001125

141



Hot Water Heater (Cap) Perkins Diesel

3366 from Serial No. 586001

17-11-2012

Part List ID
3366S86001125

142

| Pos | Part no. | Qty | Description |
|-----|------------|-----|-------------------------------|
| 1 | 2-00-04328 | 3 | ELBOW STREET 90 DEG .50NPT |
| 2 | 7-25-02040 | 3 | HOSE FITTING |
| 3 | 2-00-03407 | 2 | CLAMP WITTECK 10P |
| 6 | 2-00-00519 | 2 | LK WASH 10 MED SEC ZN |
| 7 | 2-00-03059 | 2 | SCW PH.THM 10 24 X .38 ZN |
| 14 | 2-00-03404 | 2 | CLAMP WITTECK C24P |
| 18 | 2-00-00208 | 2 | SCW HHC .313 18 X .75 GR5 ZN |
| 19 | 2-00-00585 | 2 | NUT HEX FIN .31 18 ZN |
| 20 | 2-00-00530 | 2 | LK WASH 5/16 MED SEC SPL ZN |
| 21 | 2-00-00409 | 2 | WSHR FLAT.688X.344X.063 STL |
| 23 | 8-88-00043 | 1 | HEATER VALVE |
| 24 | 2-00-04479 | 1 | QUICK CONNECT SPLICE |
| 29 | 8-64-00008 | 1 | CIRCUIT BREAKER 15 AMP |
| 30 | 8-11-00044 | 1 | BOOT |
| 31 | 8-08-07048 | 1 | EDGING |
| 35 | 8-18-00331 | 1 | DECAL HEATER VALVE |
| 37 | 2-00-04638 | 1 | PIPE NIPPLE |
| 38 | 2-95-02527 | 1 | ELBOW GALV .50 90 DEG |
| 39 | 2-00-05318 | 1 | FITTING BARBED UNION 5/8 HOSE |

All the Above Parts are Heater Option #0880-603-1

Ersatzteile auf www.gluesing.net

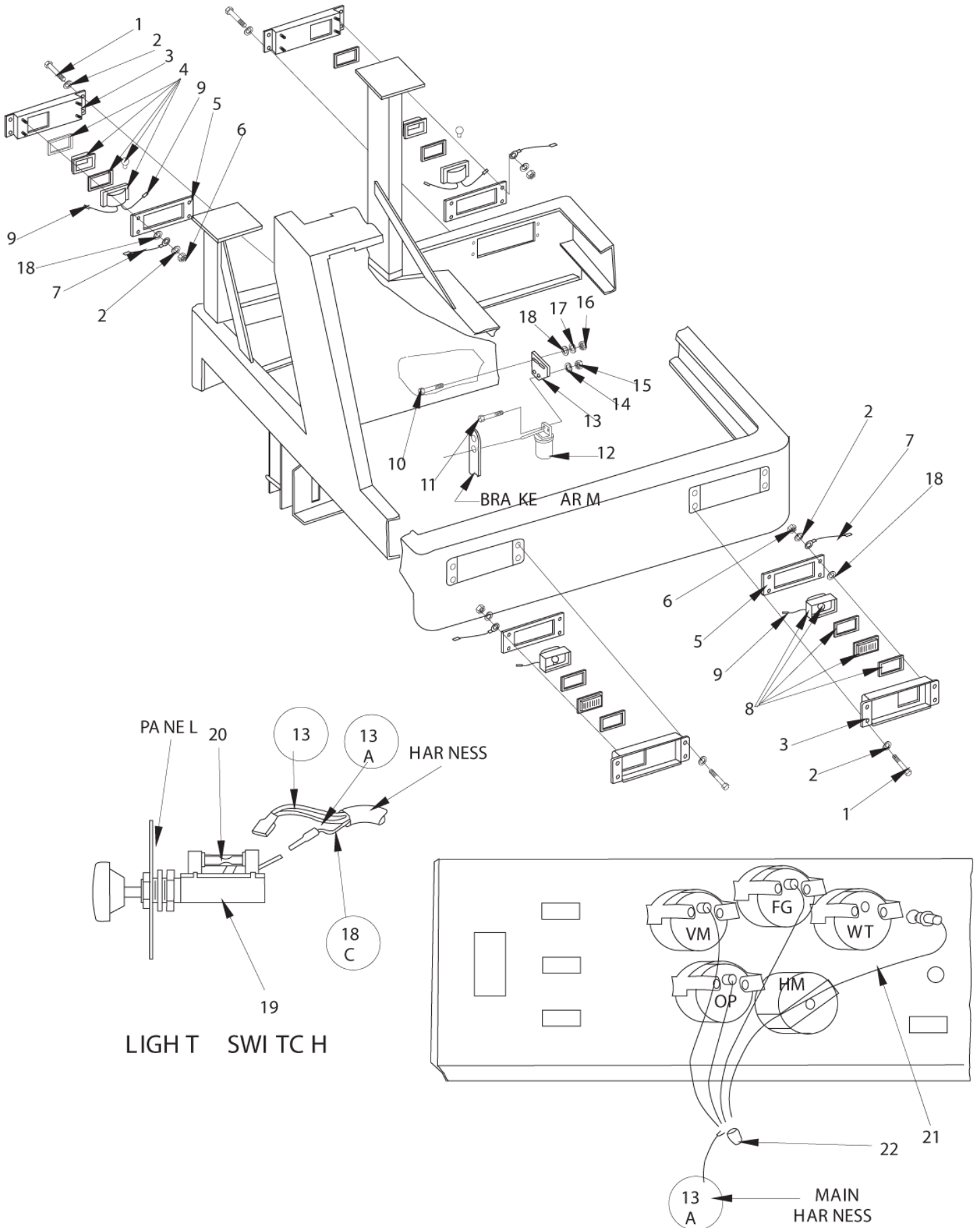
Lights Option

3366 from Serial No. 586001

17-11-2012

Part List ID
3366S586001127

143



Lights Option

3366 from Serial No. 586001

17-11-2012

Part List ID
3366Sb8600112/

144

| Pos | Part no. | Qty | Description |
|-----|------------|-----|-------------------------------|
| 1 | 2-00-04876 | 16 | SCREW 1/4 20 X.50 BHS GR 8 ZN |
| 2 | 2-00-00501 | 32 | LK WASH INT TOOTH ZN |
| 3 | 8-08-00871 | 4 | BRACKET LIGHT BLACK |
| 5 | 8-08-00599 | 4 | BACKING PLATE LIGHT |
| 6 | 2-00-00594 | 16 | NUT HEX STD FIN .25 20 ZN |
| 7 | 8-90-07358 | 4 | WIRE GROUND FOR LIGHTS |
| 8 | 0780-609 | 2 | OPTION HEADLIGHTS 7760 3366 |
| 9 | 2-00-04578 | 6 | TERMINAL BULLET MALE |
| 10 | 2-00-00220 | 2 | SCW HHC .25 20 X .63 GR 8 ZN |
| 11 | 2-00-03061 | 2 | SCW PH.TR.HM 10 24 X .50 ZN |
| 12 | 8-82-00039 | 1 | SWITCH MECHANICAL |
| 14 | 2-00-00519 | 2 | LK WASH 10 MED SEC ZN |
| 15 | 2-00-00605 | 2 | NUT HEX MAC SCR 10 24 STL/ZN |
| 16 | 2-00-03546 | 2 | USE 2-00-00594 |
| 17 | 2-00-00518 | 2 | LK WASH 1/4 MED. SECTION ZN |
| 18 | 2-00-00409 | 18 | WSHR FLAT.688X.344X.063 STL |
| 101 | 8-82-00027 | 1 | SWITCH HEAD LIGHT |
| 201 | 8-40-05030 | 4 | INSTRUMENT LIGHT |
| 202 | 2-00-04588 | 1 | WIRE NUT CONNECTOR |

NOTE:

0880-351 Includes: Headlights, Taillights and Instrument Lights

Ersatzteile auf www.gluesing.net

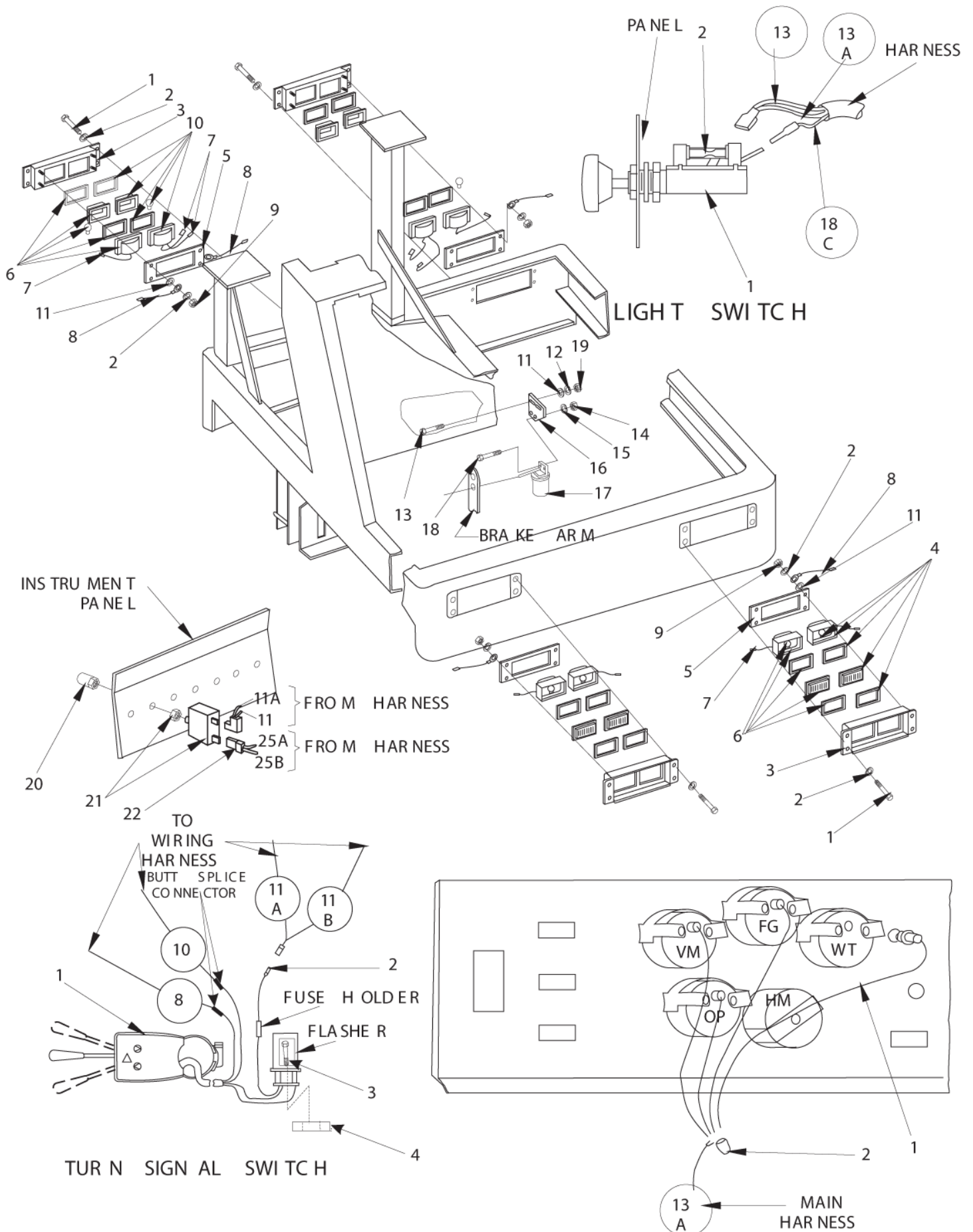
Turn Signal and Brake Light Options

3366 from Serial No. 586001

17-11-2012

Part List ID
3366S586001129

145



Turn Signal and Brake Light Options

3366 from Serial No. 586001

17-11-2012

Part List ID
3366Sb86001129

146

| Pos | Part no. | Qty | Description |
|-----|------------|-----|-------------------------------|
| 1 | 2-00-04876 | 16 | SCREW 1/4 20 X.50 BHS GR 8 ZN |
| 2 | 2-00-00501 | 32 | LK WASH INT TOOTH ZN |
| 3 | 8-08-00871 | 4 | BRACKET LIGHT BLACK |
| 4 | 0780-609 | 2 | OPTION HEADLIGHTS 7760 3366 |
| 5 | 8-08-00599 | 4 | BACKING PLATE LIGHT |
| 6 | 8-40-05027 | 4 | LIGHT TURN SIGNAL |
| 7 | 2-00-04578 | 11 | TERMINAL BULLET MALE |
| 8 | 8-90-07358 | 8 | WIRE GROUND FOR LIGHTS |
| 9 | 2-00-00594 | 18 | NUT HEX STD FIN .25 20 ZN |
| 11 | 2-00-00409 | 18 | WSHR FLAT.688X.344X.063 STL |
| 12 | 2-00-00518 | 2 | LK WASH 1/4 MED. SECTION ZN |
| 13 | 2-00-00220 | 2 | SCW HHC .25 20 X .63 GR 8 ZN |
| 14 | 2-00-00605 | 2 | NUT HEX MAC SCR 10 24 STL/ZN |
| 15 | 2-00-00519 | 2 | LK WASH 10 MED SEC ZN |
| 17 | 8-82-00039 | 1 | SWITCH MECHANICAL |
| 18 | 2-00-03061 | 2 | SCW PH.TR.HM 10 24 X .50 ZN |
| 19 | 2-00-03546 | 2 | USE 2-00-00594 |
| 20 | 8-11-00044 | 1 | BOOT |
| 21 | 8-64-00008 | 1 | CIRCUIT BREAKER 15 AMP |
| 22 | 8-11-00015 | 1 | SPADE TERMINAL MALE |
| 101 | 8-82-00025 | 1 | TURN SIGNAL SWITCH ASSY |
| 102 | 2-00-01128 | 1 | CONN BUTT SPLICE INSULATED |
| 103 | 2-00-01994 | 1 | SCR TF/PRH 8 15X.75 TYPE A |
| 104 | 2-14-03197 | 1 | WSHR SEAT VALVE NEOPRENE |
| 201 | 8-82-00027 | 1 | SWITCH HEAD LIGHT |
| 301 | 8-40-05030 | 1 | INSTRUMENT LIGHT |
| 302 | 2-00-04588 | 1 | WIRE NUT CONNECTOR |

NOTE:

0880-355 Includes: Headlights, Taillights, Instrument Lights, Brake Lights and Turn Signals

Ersatzteile auf www.gluesing.net

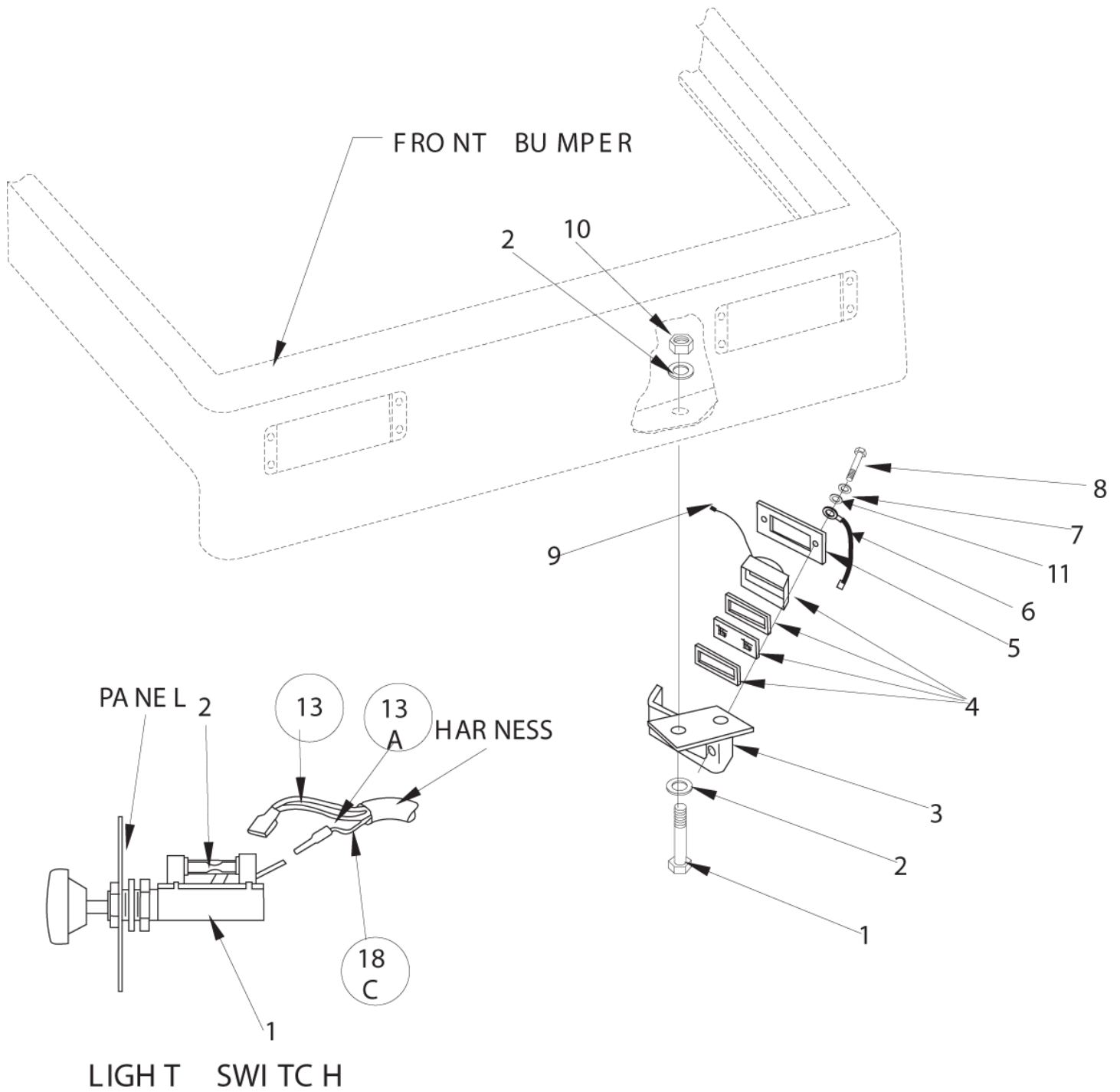
Side Broom Light

3366 from Serial No. 586001

17-11-2012

Part List ID
3366S586001131

147



Side Broom Light

3366 from Serial No. 586001

17-11-2012

Part List ID
3366S86001131

148

| Pos | Part no. | Qty | Description |
|-----|------------|-----|--------------------------------|
| 1 | 2-00-00233 | 2 | SCREW HHC .375 16 X 1.00 GR ZN |
| 2 | 2-00-00505 | 4 | LK WASH INT TOOTH .38DIA SCREW |
| 4 | 0780-609 | 1 | OPTION HEADLIGHTS 7760 3366 |
| 6 | 8-90-07358 | 1 | WIRE GROUND FOR LIGHTS |
| 7 | 2-00-00501 | 2 | LK WASH INT TOOTH ZN |
| 8 | 2-00-00221 | 2 | SCW HHC .25 20 X .75 GR 8 ZN |
| 9 | 2-00-04578 | 1 | TERMINAL BULLET MALE |
| 10 | 2-00-00584 | 2 | NUT HEX FIN .38 24 |
| 101 | 8-82-00027 | 1 | SWITCH HEAD LIGHT |

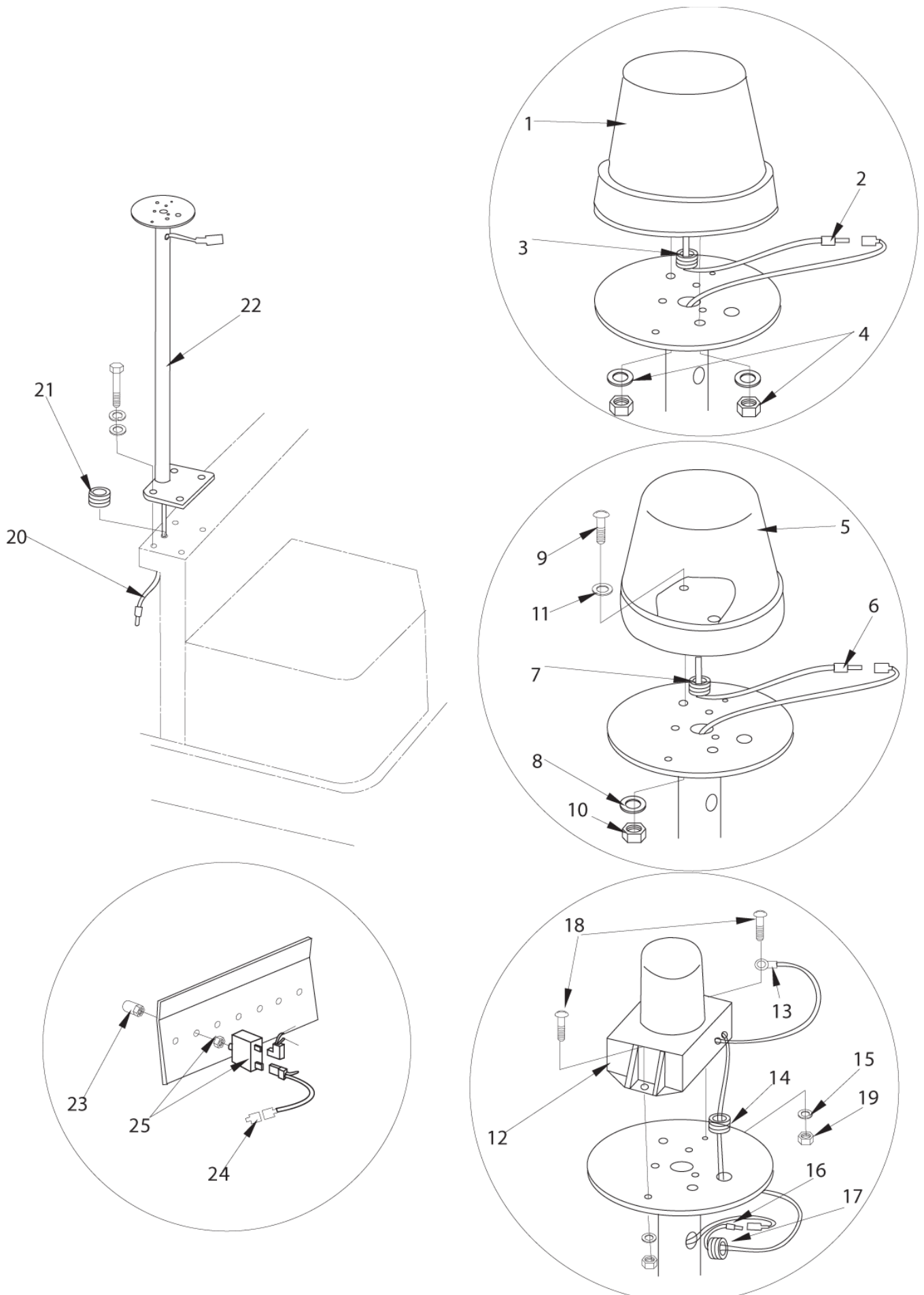
Warning Light Option

3366 from Serial No. 586001

17-11-2012

Part List ID
3366S586001133

149



Ersatzteile auf www.gluesing.net

Warning Light Option

3366 from Serial No. 586001

17-11-2012

Part List ID
3366S86001133

150

| Pos | Part no. | Qty | Description |
|-----|------------|-----|-------------------------------|
| 1 | 8-40-05039 | 1 | LIGHT 360 DEG AMBER ROTATING |
| 2 | 2-00-04578 | 1 | TERMINAL BULLET MALE |
| 3 | 2-00-00491 | 1 | GROMMET RUB .75 .375 |
| 4 | 2-00-00512 | 1 | LK WASH INT TH 10 ZN |
| 5 | 8-40-05033 | 1 | ASSY LAMP 360dg FLASHING RED |
| 6 | 2-00-04578 | 1 | TERMINAL BULLET MALE |
| 7 | 2-00-00491 | 1 | GROMMET RUB .75 .375 |
| 8 | 2-00-00512 | 2 | LK WASH INT TH 10 ZN |
| 9 | 2-00-04897 | 2 | SCREW THM 10 24 X 1.25 ZN |
| 10 | 2-00-00605 | 2 | NUT HEX MAC SCR 10 24 STL/ZN |
| 11 | 2-00-00426 | 2 | WSHR FL .500X.219X.063 STL.ZN |
| 12 | 8-40-05036 | 1 | LIGHT STROBE 12v AMBER |
| 13 | 2-00-00838 | 1 | TERM STAKON T+B B 87 TYPE 1 |
| 14 | 2-00-00491 | 1 | GROMMET RUB .75 .375 |
| 15 | 2-00-00512 | 2 | LK WASH INT TH 10 ZN |
| 16 | 2-00-04578 | 1 | TERMINAL BULLET MALE |
| 17 | 2-00-04341 | 1 | GROM ATLANTIC INDIA 2858 |
| 18 | 2-00-03063 | 2 | SCREW THM 10 24 X .75 ZN |
| 19 | 2-00-00605 | 2 | NUT HEX MAC SCR 10 24 STL/ZN |
| 20 | 8-90-07362 | 1 | WIRE ASSY LIGHT TO HARNESS |
| 21 | 2-00-00491 | 1 | GROMMET RUB .75 .375 |
| 22 | 8-81-00145 | 1 | WARNING LIGHT SUPPORT WLDMT |
| 23 | 8-11-00044 | 1 | BOOT |
| 24 | 8-11-00015 | 1 | SPADE TERMINAL MALE |
| 25 | 8-64-00008 | 1 | CIRCUIT BREAKER 15 AMP |

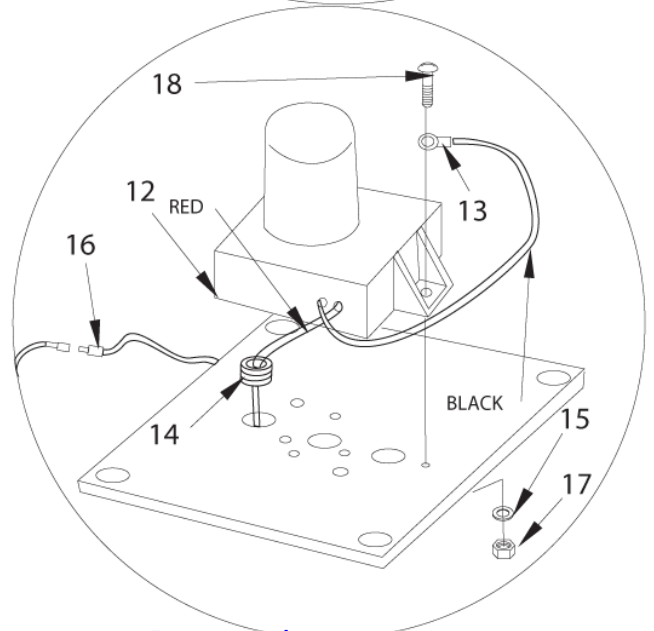
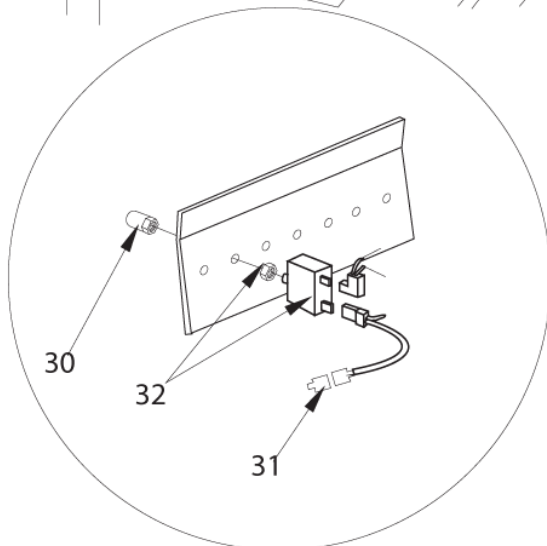
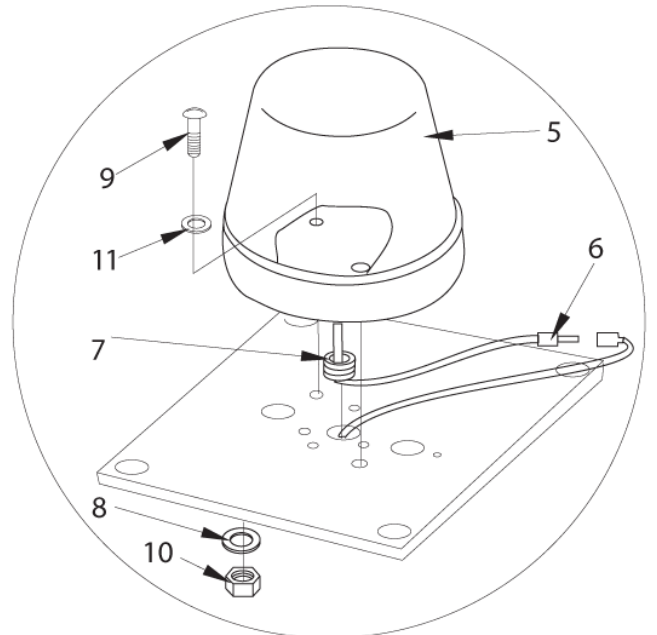
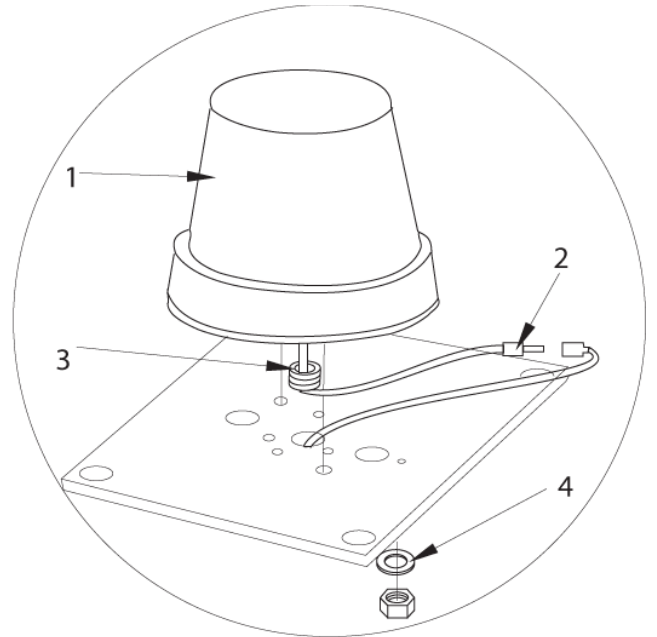
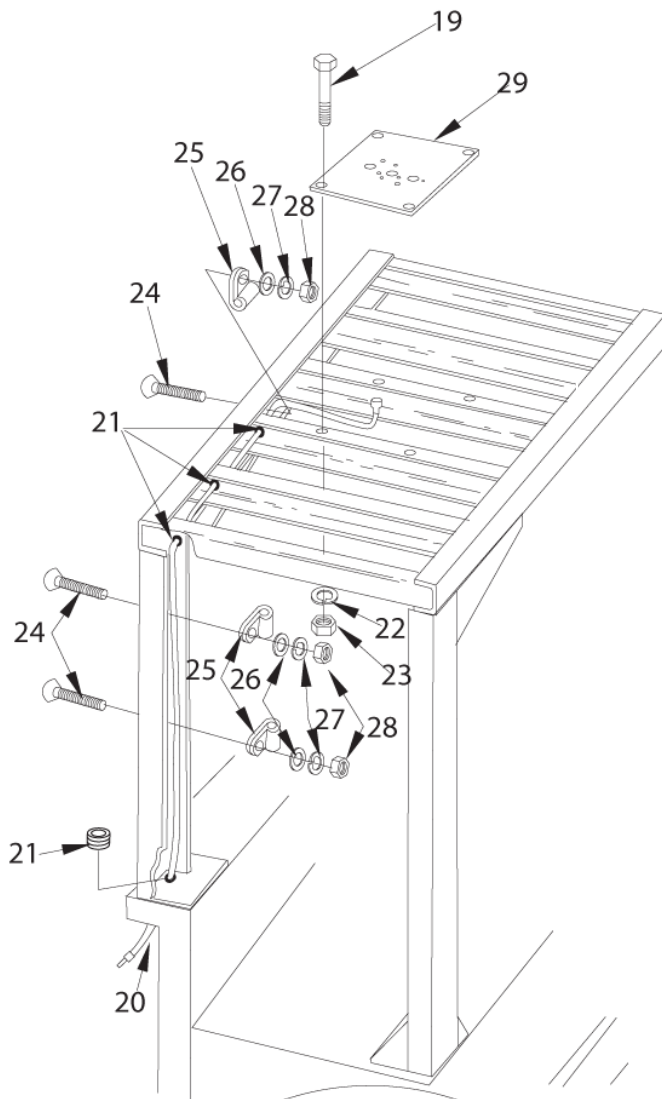
Warning Light Option w/Overhead Guard

3366 from Serial No. 586001

17-11-2012

Part List ID
3366S586001135

151



Warning Light Option w/Overhead Guard

3366 from Serial No. 586001

17-11-2012

Part List ID
3366S8600113b

152

| Pos | Part no. | Qty | Description |
|-----|------------|-----|-------------------------------|
| 1 | 8-40-05039 | 1 | LIGHT 360 DEG AMBER ROTATING |
| 2 | 2-00-04578 | 1 | TERMINAL BULLET MALE |
| 3 | 2-00-00491 | 1 | GROMMET RUB .75 .375 |
| 4 | 2-00-00512 | 1 | LK WASH INT TH 10 ZN |
| 5 | 8-40-05033 | 1 | ASSY LAMP 360dg FLASHING RED |
| 6 | 2-00-04578 | 1 | TERMINAL BULLET MALE |
| 7 | 2-00-00491 | 1 | GROMMET RUB .75 .375 |
| 8 | 2-00-00512 | 2 | LK WASH INT TH 10 ZN |
| 9 | 2-00-04897 | 2 | SCREW THM 10 24 X 1.25 ZN |
| 10 | 2-00-00605 | 2 | NUT HEX MAC SCR 10 24 STL/ZN |
| 11 | 2-00-00426 | 2 | WSHR FL .500X.219X.063 STL.ZN |
| 12 | 8-40-05036 | 1 | LIGHT STROBE 12v AMBER |
| 13 | 2-00-00838 | 1 | TERM STAKON T+B B 87 TYPE 1 |
| 14 | 2-00-00491 | 1 | GROMMET RUB .75 .375 |
| 15 | 2-00-00512 | 2 | LK WASH INT TH 10 ZN |
| 16 | 2-00-04578 | 1 | TERMINAL BULLET MALE |
| 17 | 2-00-00605 | 1 | NUT HEX MAC SCR 10 24 STL/ZN |
| 18 | 2-00-03063 | 2 | SCREW THM 10 24 X .75 ZN |
| 19 | 2-00-00221 | 4 | SCW HHC .25 20 X .75 GR 8 ZN |
| 20 | 8-90-07363 | 1 | WIRE ASSY WARNING LIGHT |
| 21 | 2-00-00491 | 1 | GROMMET RUB .75 .375 |
| 22 | 2-00-00518 | 4 | LK WASH 1/4 MED. SECTION ZN |
| 23 | 2-00-00594 | 4 | NUT HEX STD FIN .25 20 ZN |
| 24 | 2-00-03063 | 3 | SCREW THM 10 24 X .75 ZN |
| 25 | 56055207 | 3 | CLAMP LOOP E00129 |
| 26 | 2-00-00426 | 3 | WSHR FL .500X.219X.063 STL.ZN |
| 27 | 2-00-00512 | 3 | LK WASH INT TH 10 ZN |
| 28 | 2-00-00605 | 3 | NUT HEX MAC SCR 10 24 STL/ZN |
| 29 | 8-58-05228 | 1 | PLATE FLASHER MOUNTING |
| 30 | 8-11-00044 | 1 | BOOT |
| 31 | 8-11-00015 | 1 | SPADE TERMINAL MALE |
| 32 | 8-64-00008 | 1 | CIRCUIT BREAKER 15 AMP |

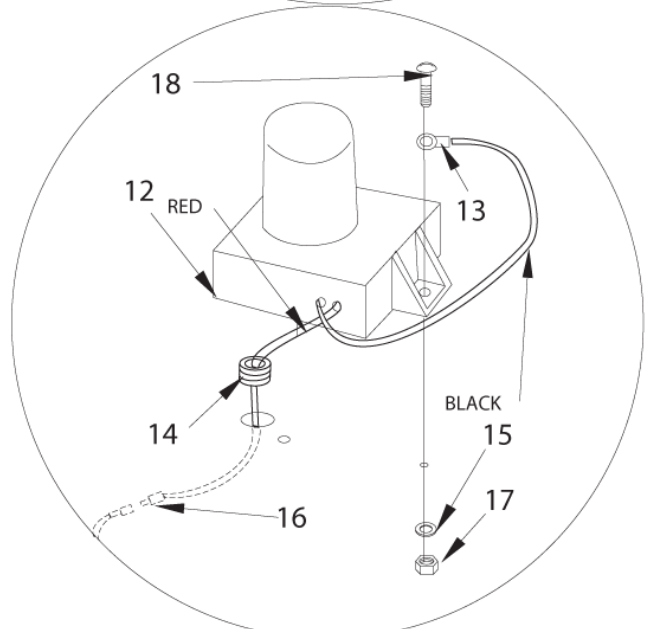
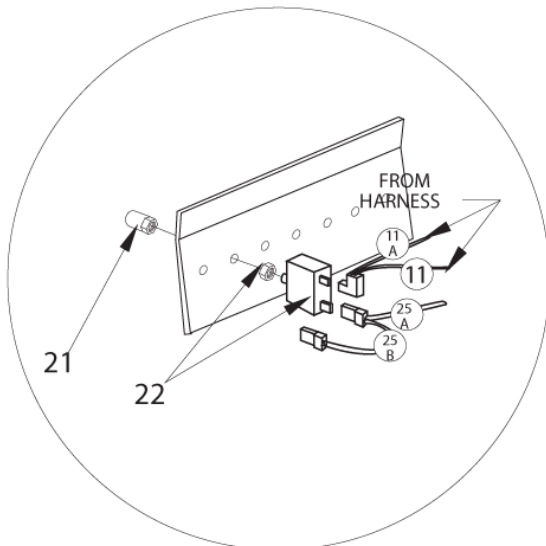
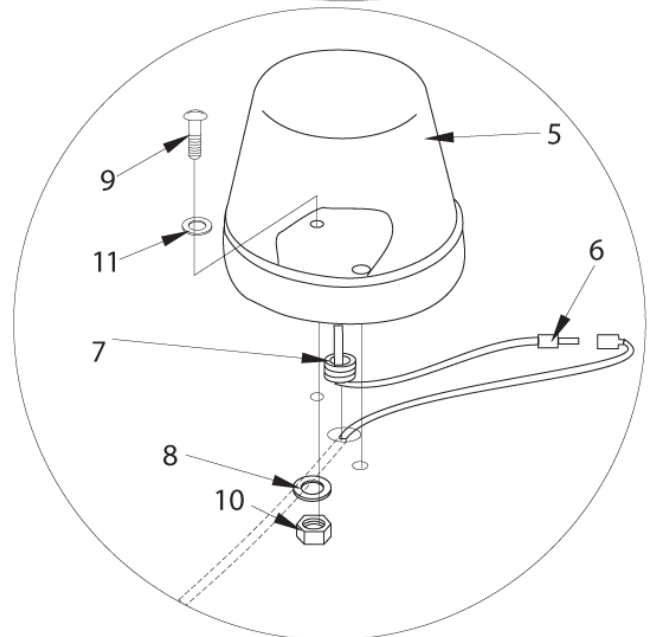
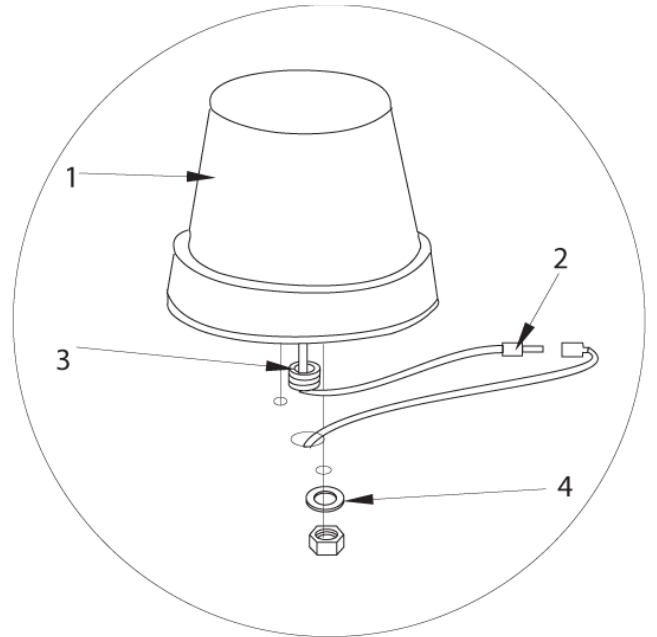
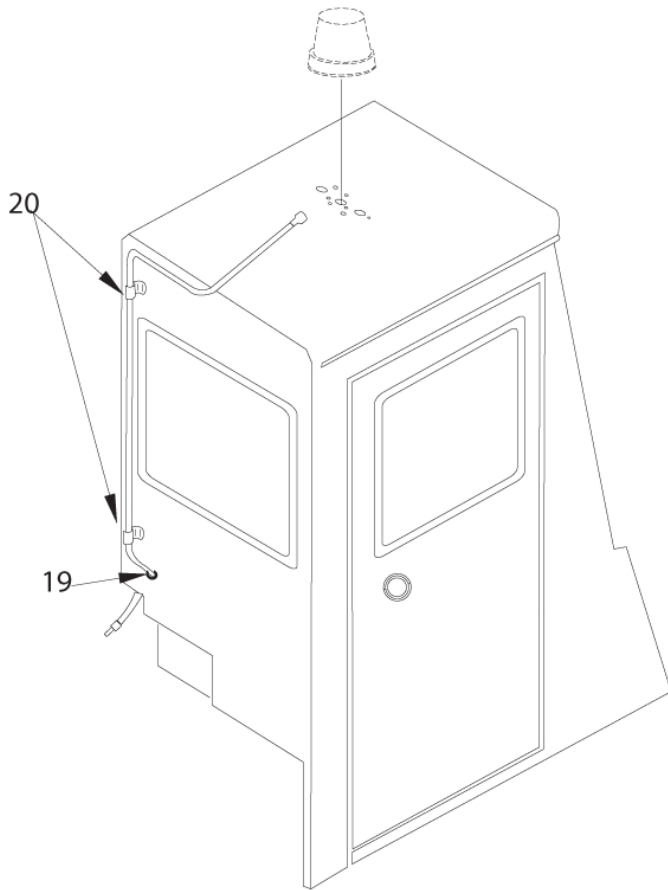
Warning Light Option w/Cap

3366 from Serial No. 586001

17-11-2012

Part List ID
3366S586001137

153



Warning Light Option w/Cap

3366 from Serial No. 586001

17-11-2012

Part List ID
3366S8600113/

154

| Pos | Part no. | Qty | Description |
|-----|------------|-----|-------------------------------|
| 1 | 8-40-05039 | 1 | LIGHT 360 DEG AMBER ROTATING |
| 2 | 2-00-04578 | 1 | TERMINAL BULLET MALE |
| 3 | 2-00-00491 | 1 | GROMMET RUB .75 .375 |
| 4 | 2-00-00512 | 1 | LK WASH INT TH 10 ZN |
| 5 | 8-40-05033 | 1 | ASSY LAMP 360dg FLASHING RED |
| 6 | 2-00-04578 | 1 | TERMINAL BULLET MALE |
| 7 | 2-00-00491 | 1 | GROMMET RUB .75 .375 |
| 8 | 2-00-00512 | 2 | LK WASH INT TH 10 ZN |
| 9 | 2-00-03063 | 2 | SCREW THM 10 24 X .75 ZN |
| 10 | 2-00-00605 | 2 | NUT HEX MAC SCR 10 24 STL/ZN |
| 11 | 2-00-00426 | 2 | WSHR FL .500X.219X.063 STL.ZN |
| 12 | 8-40-05036 | 1 | LIGHT STROBE 12v AMBER |
| 13 | 2-00-00838 | 1 | TERM STAKON T+B B 87 TYPE 1 |
| 14 | 2-00-00491 | 1 | GROMMET RUB .75 .375 |
| 15 | 2-00-00512 | 2 | LK WASH INT TH 10 ZN |
| 16 | 2-00-04578 | 1 | TERMINAL BULLET MALE |
| 17 | 2-00-00605 | 2 | NUT HEX MAC SCR 10 24 STL/ZN |
| 18 | 2-00-03063 | 2 | SCREW THM 10 24 X .75 ZN |
| 19 | 2-00-00491 | 1 | GROMMET RUB .75 .375 |
| 20 | 7-13-07096 | 2 | CLAMP ADJUSTABLE |
| 21 | 8-11-00044 | 1 | BOOT |
| 22 | 8-64-00008 | 1 | CIRCUIT BREAKER 15 AMP |

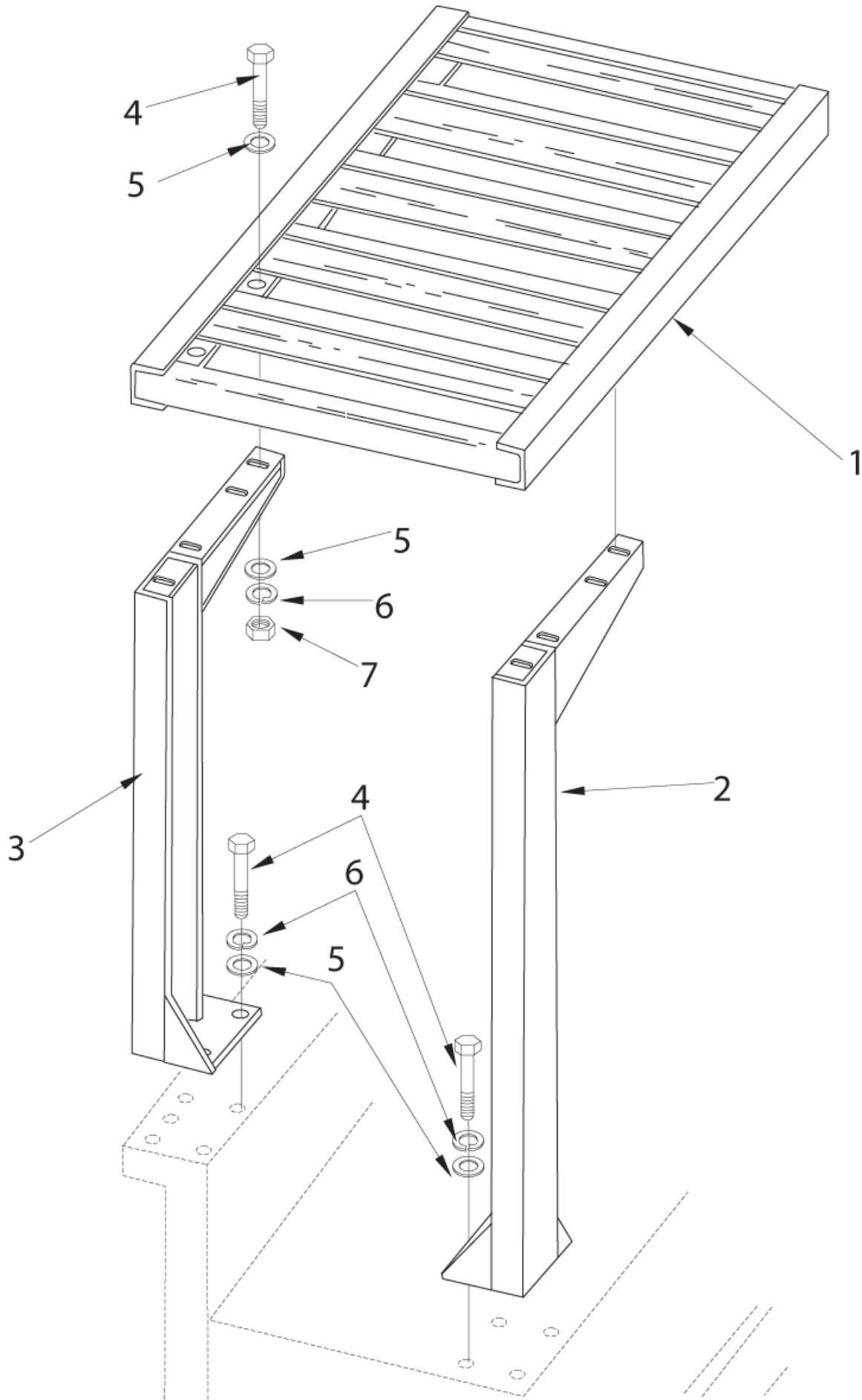
Overhead Guard

3366 from Serial No. 586001

17-11-2012

Part List ID
3366S586001138

155



Ersatzteile auf www.gluesing.net

Overhead Guard

3366 from Serial No. 586001

17-11-2012

Part List ID
3366S86001138

156

| Pos | Part no. | Qty | Description |
|-----|------------|-----|-------------------------------|
| 2 | 8-30-05131 | 1 | WLDMT GUARD UPRIGHT R.H. |
| 3 | 8-30-05130 | 1 | WLDMT GUARD UPRIGHT L.H. |
| 4 | 2-00-00240 | 16 | SCW HHC .50 13 X 1.25 GR 5 ZN |
| 5 | 2-00-00420 | 4 | WSHR FLT 1.0X.51X.063 ZN |
| 6 | 2-00-02312 | 16 | LK WASHER 1/2 ID MED SEC ZN |
| 7 | 2-00-00596 | 8 | NUT FULL HEX FIN .50 13 ZN |

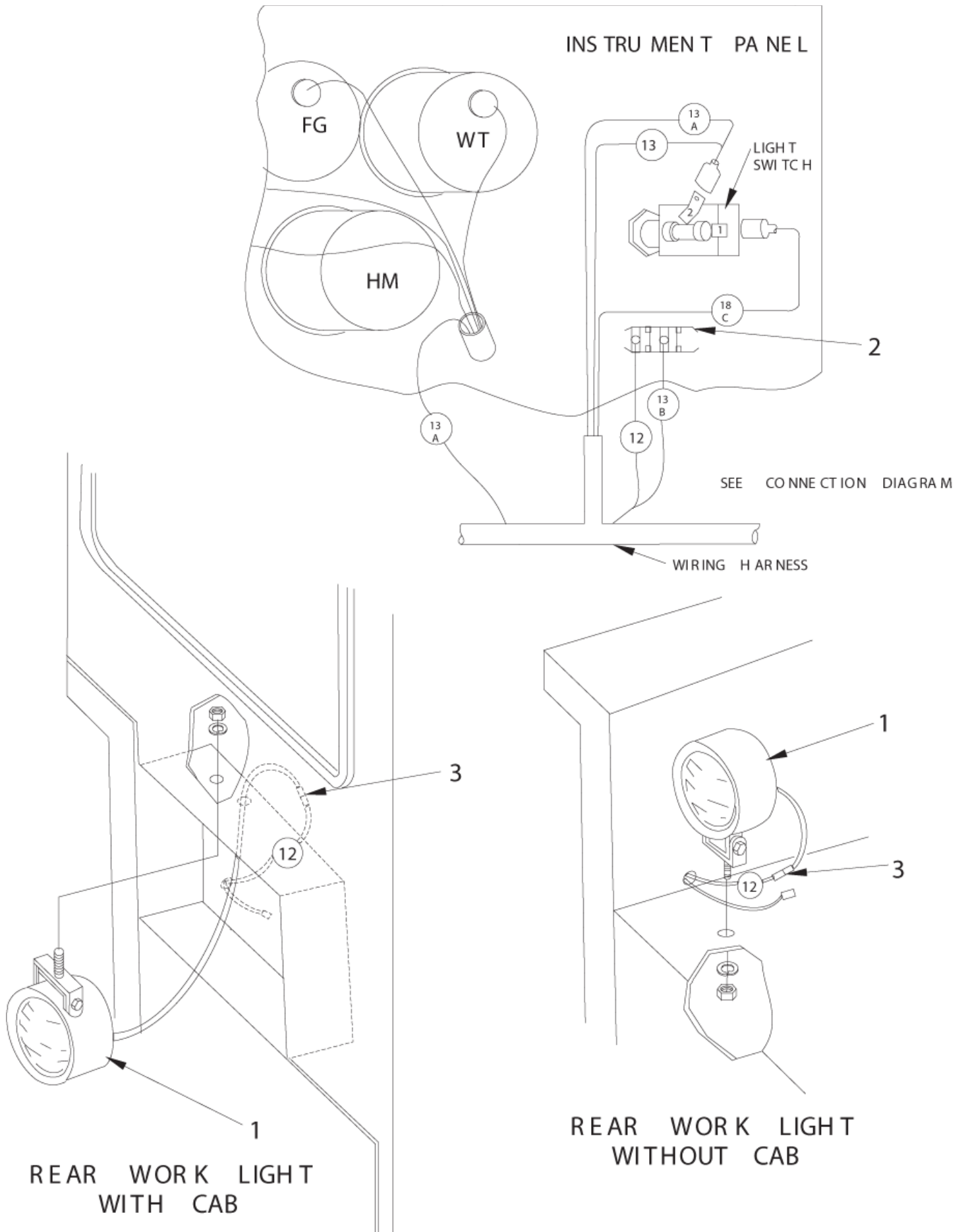
Work Light Option

3366 from Serial No. 586001

17-11-2012

Part List ID
3366S586001139

157



Work Light Option

3366 from Serial No. 586001

17-11-2012

Part List ID
3366S86001139

158

| Pos | Part no. | Qty | Description |
|-----|------------|-----|----------------------|
| 2 | 8-82-00044 | 1 | SWITCH SPST ON OFF |
| 3 | 2-00-04578 | 1 | TERMINAL BULLET MALE |

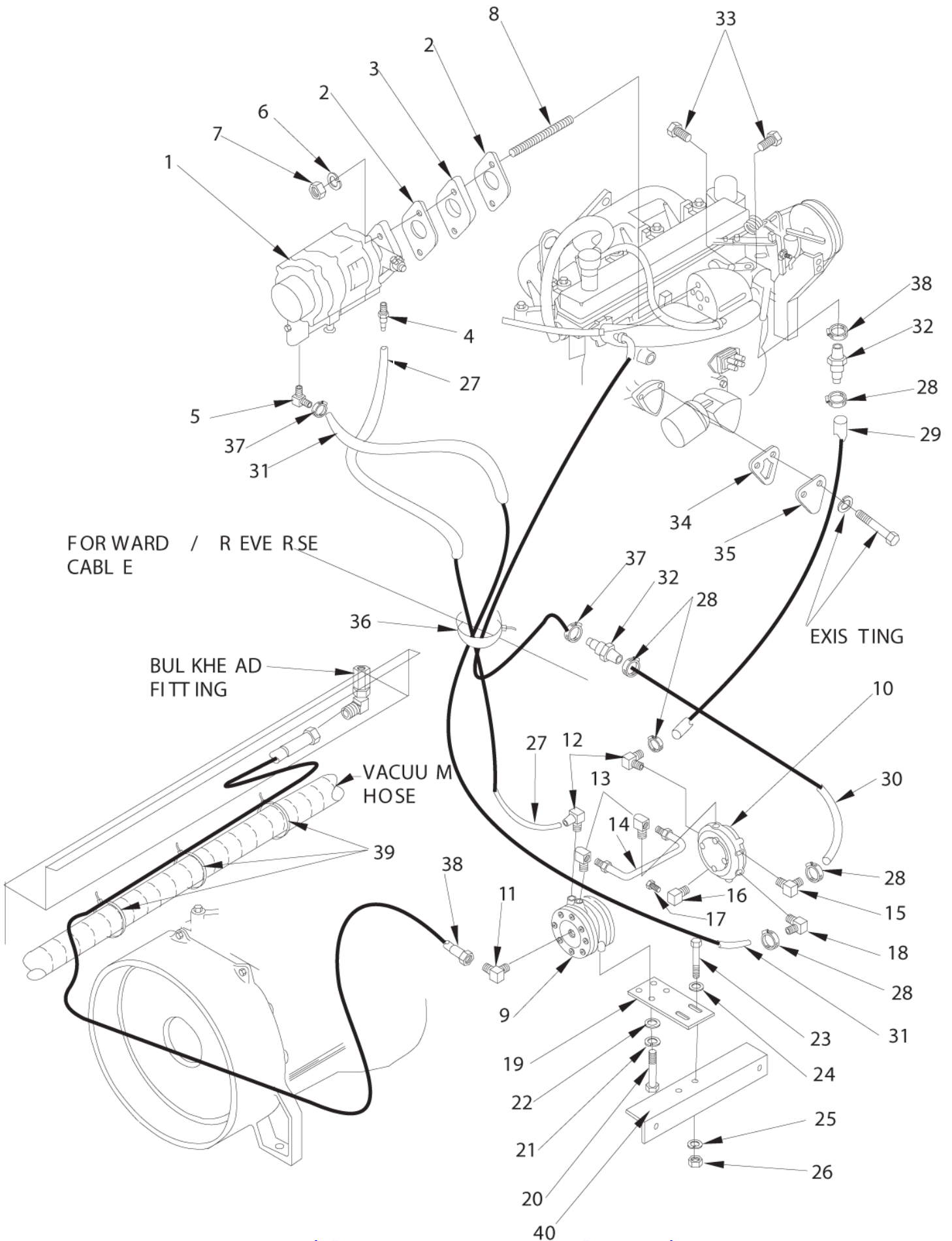
Ford 413 LP Engine (IMCO)

3366 from Serial No. 586001

17-11-2012

Part List ID
3366S586001141

159



Ford 413 LP Engine (IMCO)

3366 from Serial No. 586001

17-11-2012

Part List ID
3366S86001141

160

| Pos | Part no. | Qty | Description | |
|-----|------------|-----|-------------------------------|--------|
| 9 | 2-60-02294 | 1 | VACUUM FUELLOCK USE 0769-017 | |
| 10 | 2-60-02293 | 1 | REGULATOR NOLFF N JB2160411LP | |
| 11 | 7-11-04036 | 1 | KIT LOW LP FUEL SWITCH | NOTE 1 |
| 38 | 7-33-02246 | 1 | LP FUEL HOSE 54 IN SE | REF |
| 39 | 2-00-04345 | 1 | TY RAP THOMAS+BETTS TY 28M | REF |
| 40 | 8-11-04019 | 1 | L.P. CARB. KIT | |

NOTE 1: Switch Kit (Item 11) must be ordered separately

Ersatzteile auf www.gluesing.net

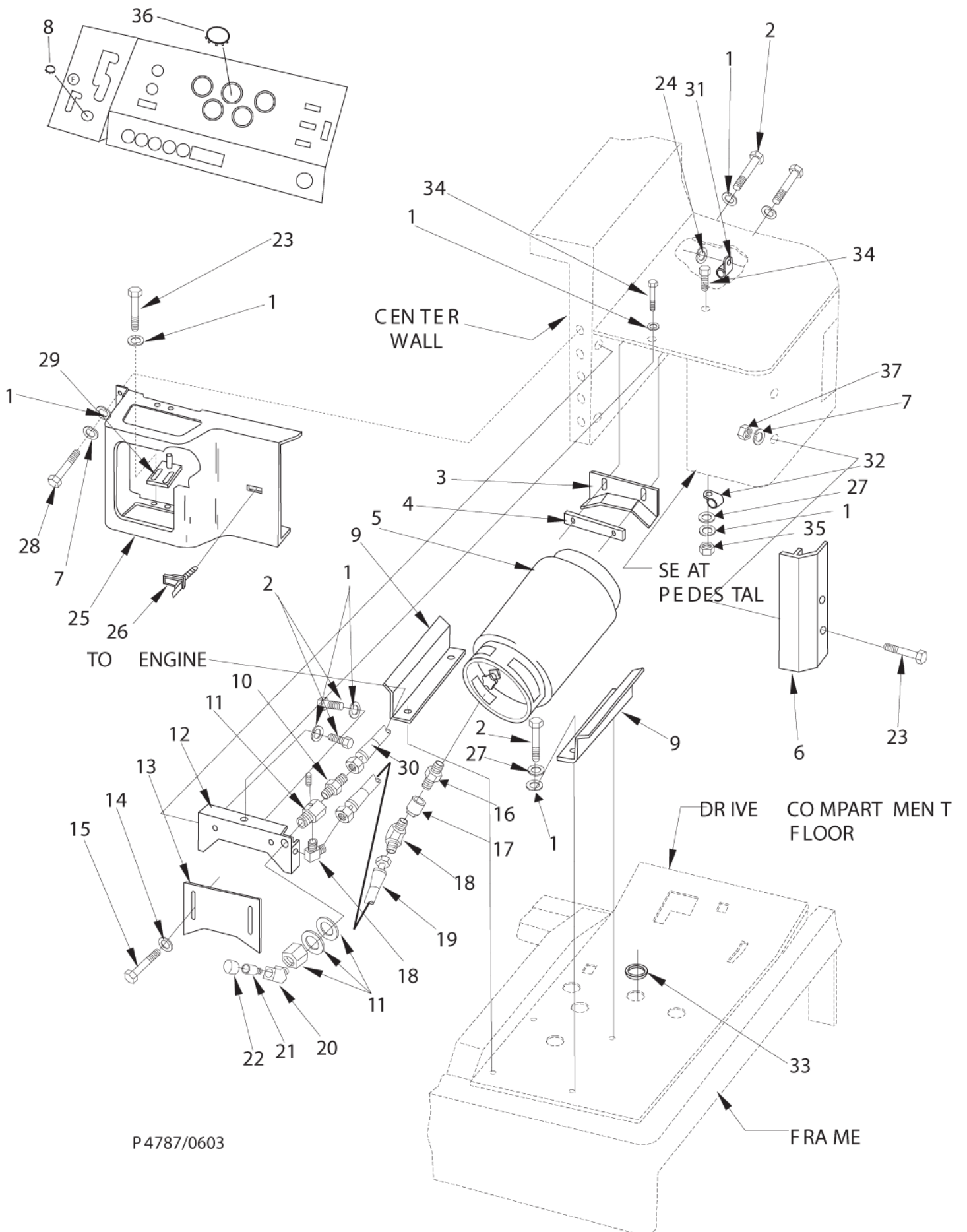
LP Tank System

3366 from Serial No. 586001

17-11-2012

Part List ID
3366S586001143

161



P4787/0603

LP Tank System

3366 from Serial No. 586001

17-11-2012

Part List ID
3366S86001143

162

| Pos | Part no. | Qty | Description |
|-----|------------|-----|-------------------------------|
| 1 | 2-00-00518 | 12 | LK WASH 1/4 MED. SECTION ZN |
| 2 | 2-00-00219 | 9 | SCW HHC .25 20 X .50 GR 5 ZN |
| 3 | 8-65-00041 | 1 | RETAINER REAR LP TANK |
| 4 | 8-08-00619 | 1 | TAPPED BRACKET LP OPTION |
| 5 | 56456590 | 1 | L.P. TANK |
| 6 | 8-78-05018 | 1 | WLDMT STOP LP TANK BUMPER |
| 7 | 2-00-02312 | 5 | LK WASHER 1/2 ID MED SEC ZN |
| 8 | 2-00-04757 | 1 | PLUG BUTTON |
| 9 | 8-81-00144 | 2 | WELDMENT SUPPORT LEG LP |
| 12 | 8-52-00122 | 1 | REAR WALL SEAT COMP. LP |
| 13 | 8-65-00042 | 1 | RETAINER LP FUEL TANK |
| 14 | 2-00-00409 | 2 | WSHR FLAT.688X.344X.063 STL |
| 15 | 2-00-04867 | 2 | THUMB SCREW SHLDR.313 18X1 |
| 23 | 2-00-00239 | 5 | SCW HHC .50 13 X 1.00 GR5 ZN |
| 24 | 2-00-02310 | 1 | LK WASH HELICAL SPR ZN |
| 25 | 8-08-07052 | 1 | WELDMENT BUMPER L.P. TANK |
| 26 | 8-41-00040 | 1 | LATCH |
| 27 | 2-00-00407 | 7 | WSHR FLAT .563X.266X.063 STL. |
| 28 | 2-00-00221 | 2 | SCW HHC .25 20 X .75 GR 8 ZN |
| 29 | 8-08-00620 | 1 | BRKT PIN LOCATING 3366 LP |
| 30 | 8-33-02262 | 1 | LP FUEL HOSE FORD 413 REF |
| 32 | 2-00-04564 | 1 | CABLE CLAMP |
| 33 | 8-09-01077 | 1 | BUSHING SNAP |
| 34 | 2-00-00205 | 1 | BOLT HEX TAP .25 20X1.0 GR 5 |
| 35 | 2-00-00594 | 1 | NUT HEX STD FIN .25 20 ZN |
| 36 | 7-11-04035 | 1 | KIT LOW LP INDICATOR 7760 |
| 37 | 2-00-00596 | 2 | NUT FULL HEX FIN .50 13 ZN |

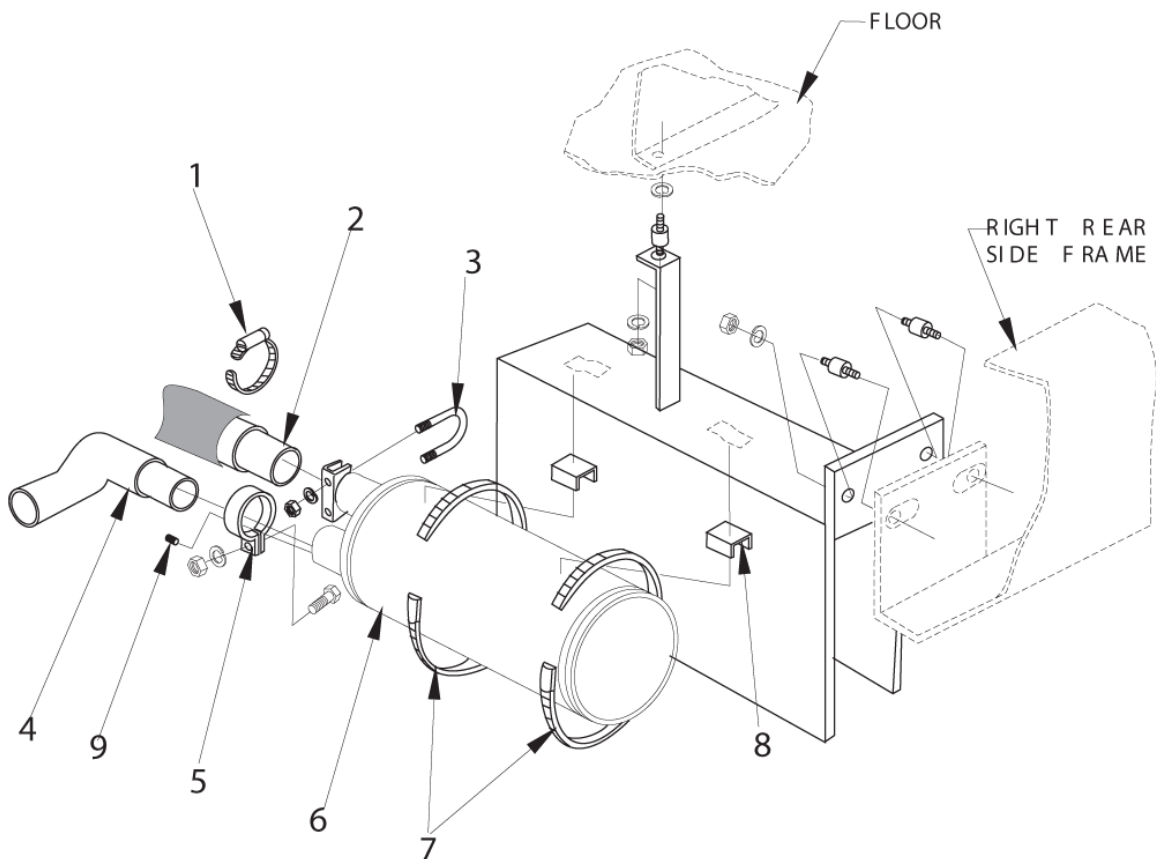
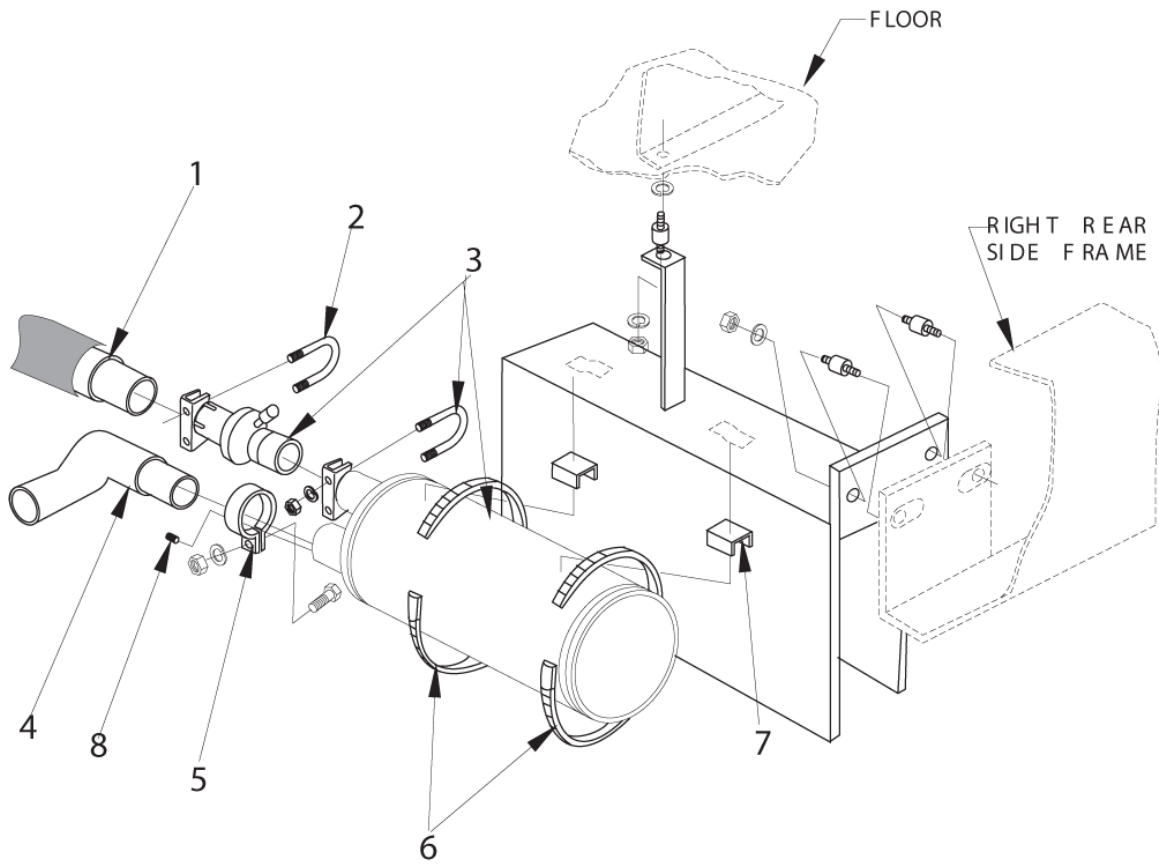
Oxy-Catalytic Muffler

3366 from Serial No. 586001

17-11-2012

Part List ID
3366S586001145

163



Ersatzteile auf www.gluesing.net

Oxy-Catalytic Muffler

3366 from Serial No. 586001

17-11-2012

Part List ID
3366S86001145

164

| Pos | Part no. | Qty | Description | |
|-----|------------|-----|---------------------------------|-----|
| 2 | 2-00-04400 | 1 | CLAMP IDEAL 7 INCH 4 INCH | |
| 3 | 8-49-00024 | 1 | OXY CATALYST PURIFIER GAS | |
| 5 | 7-13-07082 | 1 | CLAMP | REF |
| 6 | 2-00-04400 | 1 | CLAMP IDEAL 7 INCH 4 INCH | REF |
| 8 | 2-00-02471 | 1 | GALV PIPE PLUG | |
| 101 | 8-56-04032 | 1 | PIPE EXHAUST PERKINS DIESEL/SE | REF |
| 102 | 2-00-04040 | 1 | CLAMP MUFFLER | REF |
| 103 | 8-56-04033 | 1 | PIPE EXHAUST EXTENSION | REF |
| 105 | 7-13-07082 | 1 | CLAMP | REF |
| 106 | 8-49-00025 | 1 | OXY CATALYST PURIFIER DIESEL/SE | |
| 107 | 2-00-04400 | 1 | CLAMP IDEAL 7 INCH 4 INCH | REF |
| 109 | 2-00-02471 | 1 | GALV PIPE PLUG | |

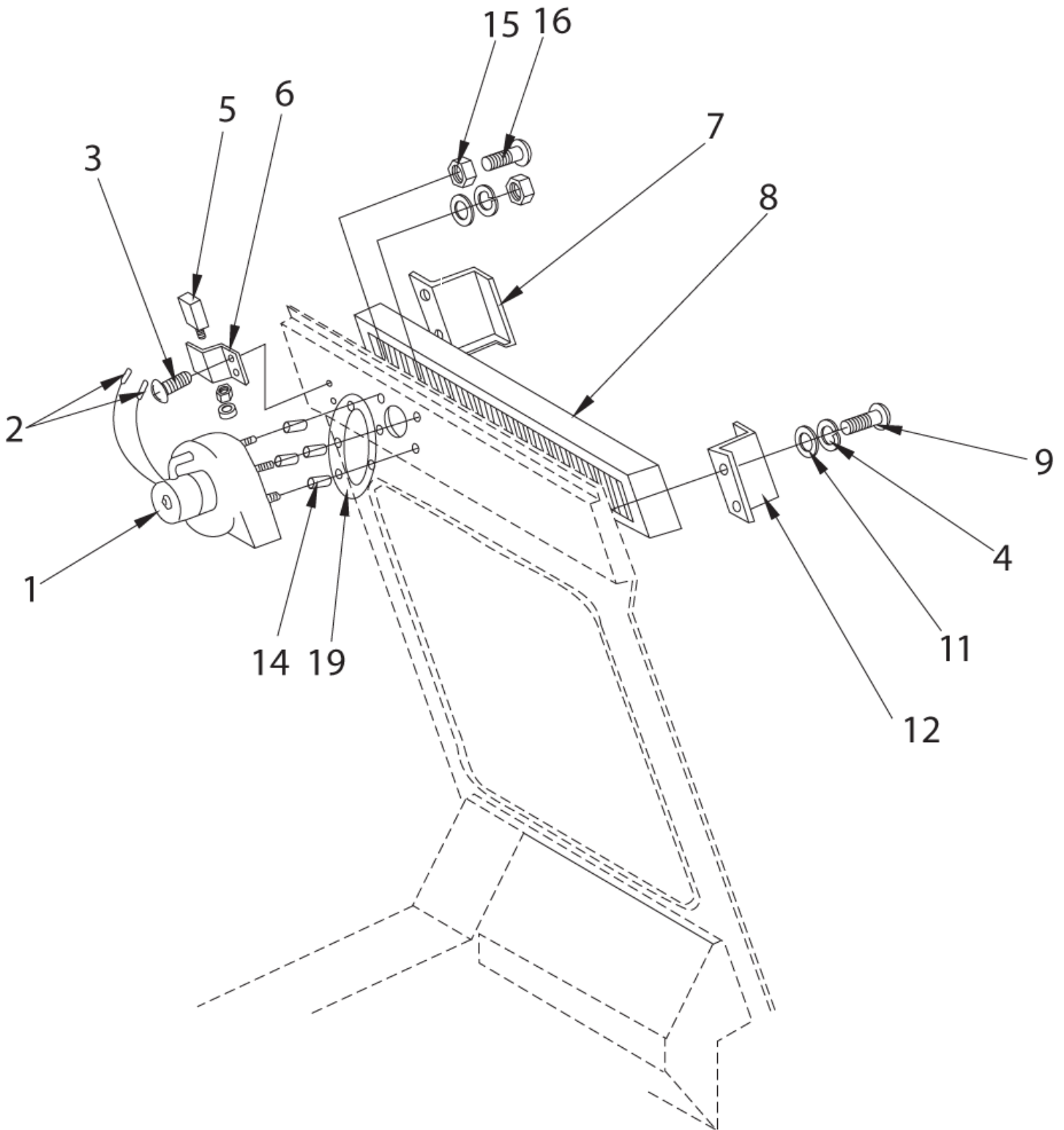
Pressurizer (Cap)

3366 from Serial No. 586001

17-11-2012

Part List ID
3366S586001147

165



Pressurizer (Cap)

3366 from Serial No. 586001

17-11-2012

Part List ID
3366S8600114/

166

| Pos | Part no. | Qty | Description |
|-----|------------|-----|------------------------------|
| 2 | 8-11-00015 | 2 | SPADE TERMINAL MALE |
| 3 | 2-00-00054 | 4 | SCREW PH.RHM .25 20 X .50 |
| 4 | 2-00-00518 | 10 | LK WASH 1/4 MED. SECTION ZN |
| 8 | 8-24-04153 | 1 | FILTER PRESSURIZER 0880 387 |
| 9 | 2-00-00219 | 4 | SCW HHC .25 20 X .50 GR 5 ZN |
| 10 | 2-00-00594 | 6 | NUT HEX STD FIN .25 20 ZN |
| 11 | 2-00-00416 | 4 | WSHR-FLAT USE 2-00-00451 |

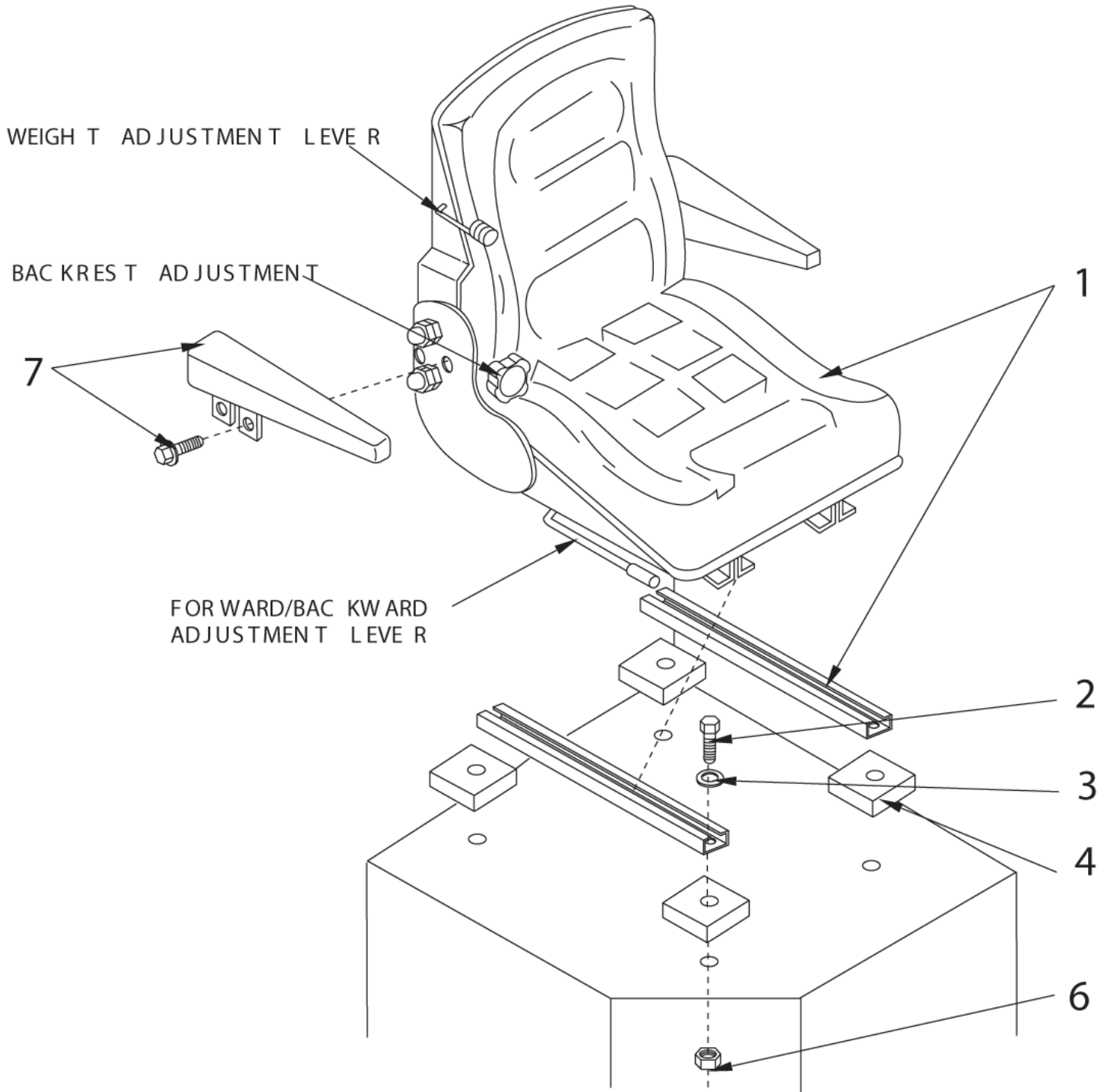
Suspension Seat Option

3366 from Serial No. 586001

17-11-2012

Part List ID
3366S586001148

167



Suspension Seat Option

3366 from Serial No. 586001

17-11-2012

Part List ID
3366S86001148

168

| Pos | Part no. | Qty | Description |
|-----|------------|-----|--------------------------------|
| 1 | 8-69-00019 | 1 | SEAT SUSPENSION MICHIGAN OPT |
| 2 | 2-00-00225 | 4 | SCW HHC .313 18 X 1.50 GR5 ZN |
| 3 | 2-00-00409 | 4 | WSHR FLAT.688X.344X.063 STL |
| 4 | 8-71-00016 | 4 | SHIM SEAT SUPPORT SE |
| 6 | 2-00-00585 | 4 | NUT HEX FIN .31 18 ZN |
| 7 | 0880-474 | 1 | SUSPENSION SEAT OPT. 22 33 62 |
| 7 | 8-03-04320 | 1 | ARM RESTS LH RH FOR 8 69 00019 |

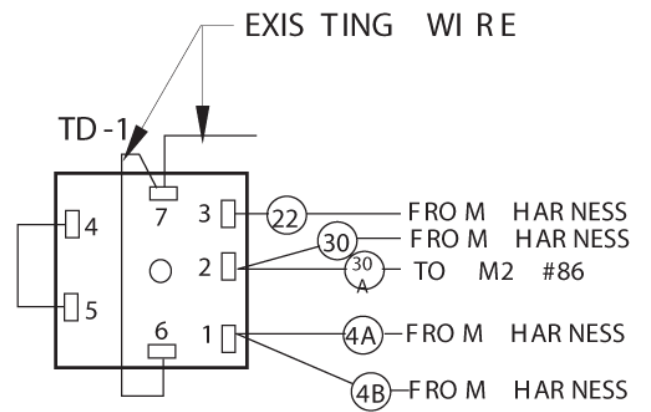
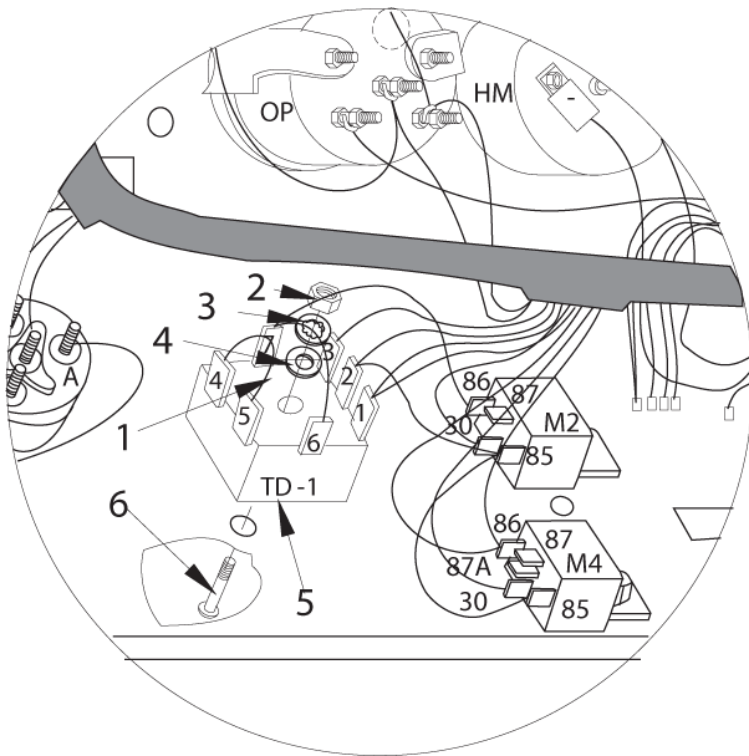
Timed Shaker Motors

3366 from Serial No. 586001

17-11-2012

Part List ID
3366S586001149

169



Timed Shaker Motors

3366 from Serial No. 586001

17-11-2012

Part List ID
3366S86001149

170

| Pos | Part no. | Qty | Description |
|-----|------------|-----|-------------------------------|
| 2 | 2-00-00605 | 1 | NUT HEX MAC SCR 10 24 STL/ZN |
| 3 | 2-00-00512 | 1 | LK WASH INT TH 10 ZN |
| 4 | 2-00-00466 | 1 | WSHR FLAT .625X.203X.031 STL. |
| 5 | 8-64-05010 | 1 | RELAY TIME DELAY |
| 6 | 2-00-04897 | 1 | SCREW THM 10 24 X 1.25 ZN |

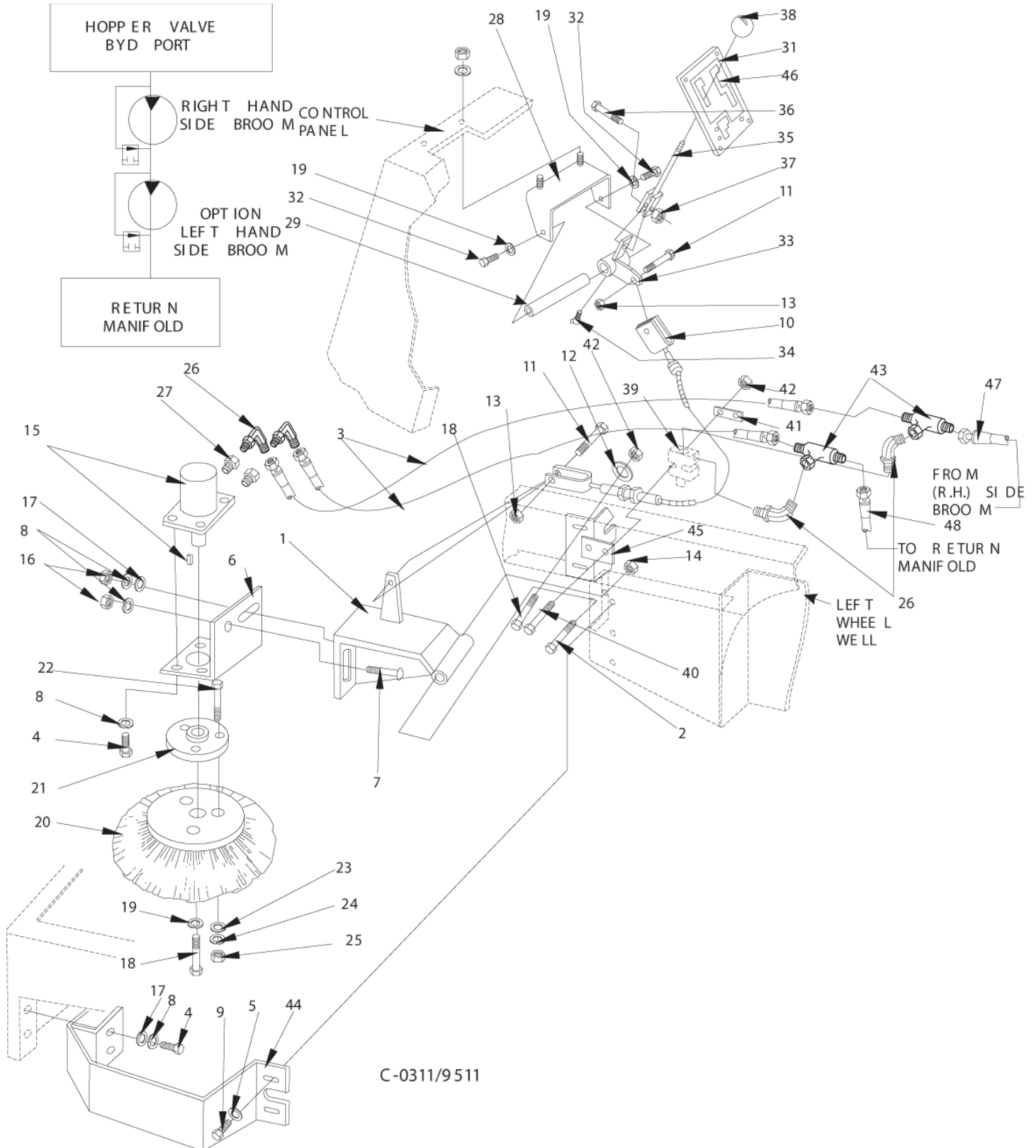
Left Side Broom Option

3366 from Serial No. 586001

17-11-2012

Part List ID
3366S586001151

171



Left Side Broom Option

3366 from Serial No. 586001

17-11-2012

Part List ID
3366Sb860011b1

172

| Pos | Part no. | Qty | Description | |
|-----|------------|-----|--------------------------------|-----|
| 1 | 8-03-04284 | 1 | WELDMENT SIDE BROOM ARM LHSE | |
| 2 | 2-00-04914 | 1 | SCREW HHC .50 13 X 4.50 GR5 ZN | |
| 3 | 8-33-02181 | 2 | HOSE HYD ORS4 STR ENDS 18 | |
| 4 | 2-00-00233 | 8 | SCREW HHC .375 16 X 1.00 GR ZN | |
| 5 | 2-00-04159 | 5 | WSHR FL 1.375X.563X.109 STL.ZN | |
| 6 | 8-08-00740 | 1 | BRACKET SIDE BROOM ARM LHSE | |
| 7 | 2-00-05187 | 2 | BOLT CARR.38 16 X 1.25 GR 5 ZN | |
| 8 | 2-00-02310 | 10 | LK WASH HELICAL SPR ZN | |
| 9 | 2-00-01254 | 4 | SCW HHC .50 13 X 1.50 gr 5 zn | |
| 10 | 8-10-00030 | 1 | CABLE LEFT HAND SIDE BROOM | |
| 11 | 2-00-02708 | 2 | SCW HHM .313 18 X 1.00 GR 5 ZN | |
| 12 | 2-00-00407 | 3 | WSHR FLAT .563X.266X.063 STL. | |
| 13 | 2-00-00644 | 2 | NUT INS FIBRE .31 18 ZN PL | |
| 14 | 2-00-04936 | 2 | NUT INS FIBRE .50 13 ZINC | |
| 15 | 0882-047 | 1 | MOTOR HYD.SIDE BROOM 2.2 CIR | |
| 15 | 2-00-00722 | 1 | KEY WOODRUFF 1/4 X 1 | |
| 16 | 2-00-00584 | 2 | NUT HEX FIN .38 24 | |
| 17 | 2-00-04801 | 3 | WSHR FLAT .875X.380X.120TH ZN | |
| 18 | 2-00-01490 | 4 | SCW HHC .25 20 X .875 GR5 ZN | |
| 19 | 2-00-00518 | 1 | LK WASH 1/4 MED. SECTION ZN | |
| 20 | 8-08-03211 | 1 | NYLON SIDE BROOM | |
| 21 | 8-25-06008 | 1 | FLANGE CURB BROOM | |
| 22 | 2-00-00211 | 3 | SCW HHC .313 18 X 1 75 GR 5 ZN | |
| 23 | 2-00-00409 | 3 | WSHR FLAT.688X.344X.063 STL | |
| 24 | 2-00-00530 | 3 | LK WASH 5/16 MED SEC SPL ZN | |
| 25 | 2-00-00585 | 3 | NUT HEX FIN .31 18 ZN | |
| 26 | 2-00-04926 | 4 | FITTING 90 SAE6 TO ORS4 | |
| 27 | 2-00-04915 | 2 | FITTING REDUCER SAE10 TO SAE6 | |
| 28 | 8-08-00646 | 1 | BRACKET SIDE BROOM WELDMENT | REF |
| 29 | 8-70-05285 | 1 | SHAFT SIDE BROOM PIVOT | REF |
| 30 | 2-00-00221 | 1 | SCW HHC .25 20 X .75 GR 8 ZN | REF |
| 31 | 56516827 | 1 | FACE PLATE MB CONTROL THROTTLE | |
| 32 | 2-00-00221 | 1 | SCW HHC .25 20 X .75 GR 8 ZN | REF |
| 33 | 8-57-05021 | 1 | PIVOT SIDE BROOM WELDMENT | |
| 34 | 2-00-02558 | 1 | FTG GRS ALEMITE 1688 B .125 | |
| 35 | 8-16-00034 | 1 | WLDMT BROOM LIFT LEVER | |
| 36 | 2-00-00234 | 1 | SCW HHC .375 16 X 1.50 GR5 ZN | |
| 37 | 2-95-04182 | 1 | NUT EL.STOP 3/8 16 ZN PL | |
| 38 | 8-39-00002 | 3 | KNOB CONT SMALL | |
| 39 | 0891-008 | 1 | VALVE MANUAL RELEASE | |
| 40 | 2-00-00199 | 2 | BOLT CARRIAGE .25 20 X 1.75 | |
| 41 | 8-08-00590 | 1 | BRACKET SIDE BROOM VALVE MTG | |
| 42 | 2-00-00641 | 5 | NUT INS FIBRE .25 20 ZN PL | |

Left Side Broom Option

3366 from Serial No. 586001

17-11-2012

Part List ID
3366S86001151

173

| Pos | Part no. | Qty | Description |
|-----|------------|-----|--------------------------------|
| 43 | 2-00-04940 | 2 | FITTING SWVL BRANCH TEE 40RS |
| 45 | 8-08-00716 | 1 | CABLE VALVE MNT LEFT /SE |
| 47 | 7-33-02181 | 1 | HOSE HYD ORS 4 STR ENDS 160 |
| 48 | 8-33-02187 | 1 | HOSE HYD ORS4 STR ENDS 107 |
| 49 | 8-08-00739 | 1 | BRACKET SIDE BROOM ARM LH/SE |
| 50 | 8-08-00759 | 1 | BRACKET LH SIDE BROOM MOUNT/SE |

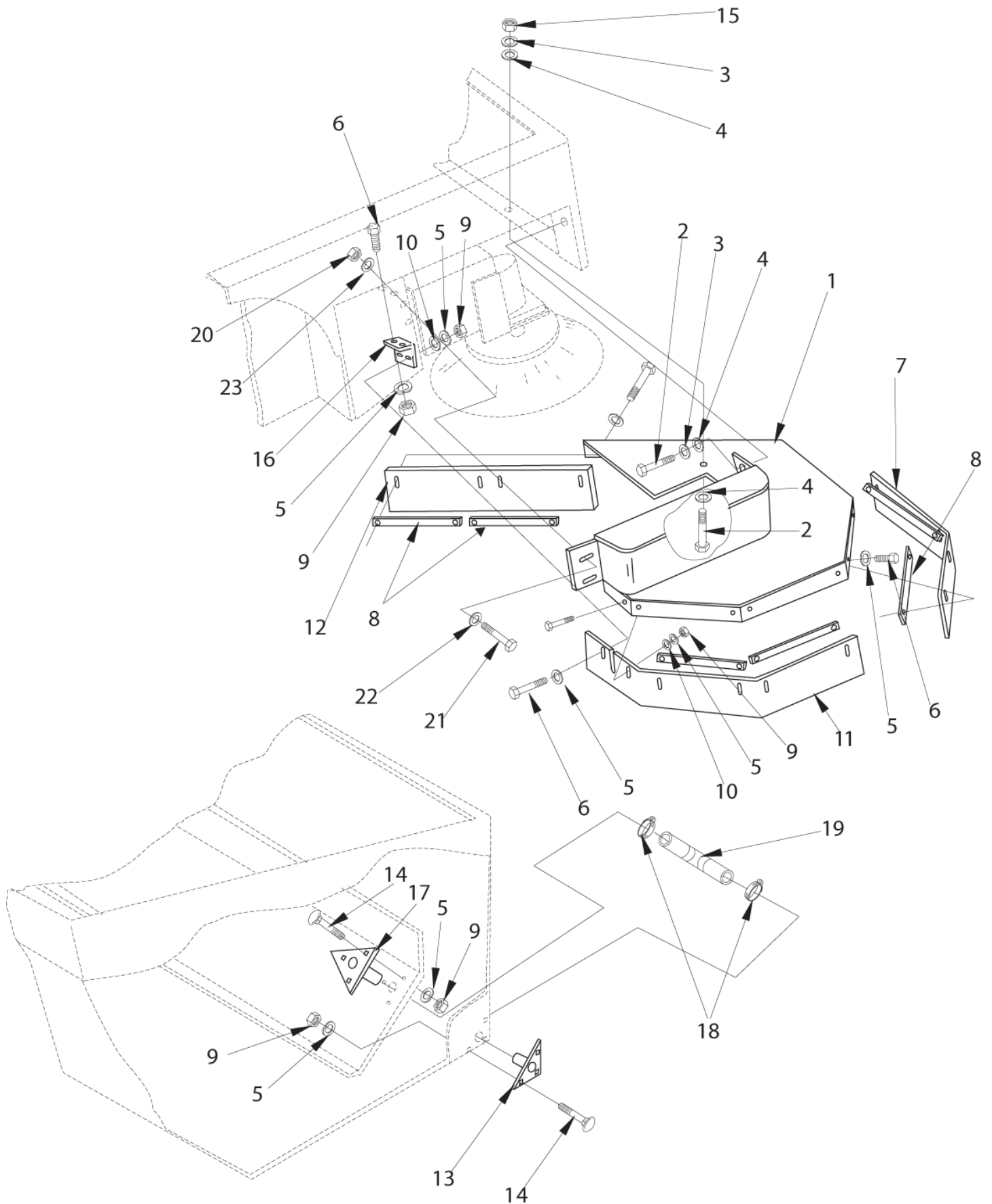
Vacuum Side Brooms Option

3366 from Serial No. 586001

17-11-2012

Part List ID
3366S586001153

174



Ersatzteile auf www.gluesing.net

Vacuum Side Brooms Option

3366 from Serial No. 586001

17-11-2012

Part List ID
3366Sb86001153

175

| Pos | Part no. | Qty | Description |
|-----|------------|-----|--------------------------------|
| 2 | 2-00-00209 | 3 | SCW HHC.375 16 X 1.25 GR 5 ZN |
| 3 | 2-00-02310 | 3 | LK WASH HELICAL SPR ZN |
| 4 | 2-00-00402 | 4 | WSHR FL..750X391X.093 STL ZN |
| 5 | 2-00-00518 | 22 | LK WASH 1/4 MED. SECTION ZN |
| 6 | 2-00-00221 | 16 | SCW HHC .25 20 X .75 GR 8 ZN |
| 7 | 8-25-08164 | 1 | FLAP VAC SID BROOM |
| 8 | 8-08-00662 | 6 | BRKT VACUUMIZED SIDE BROOM |
| 9 | 2-00-00594 | 10 | NUT HEX STD FIN .25 20 ZN |
| 10 | 2-00-00407 | 7 | WSHR FLAT .563X.266X.063 STL. |
| 11 | 8-25-08165 | 1 | FLAP VACUUMIZED SIDE BROOM |
| 12 | 8-25-08163 | 1 | FLAP VAC SIDE BROOM |
| 13 | 8-03-02041 | 1 | WELDMENT VACUUM TUBEBOTTOMSE |
| 14 | 2-00-03575 | 6 | BOLT CARR..25 20 X .75 GR5 ZN |
| 15 | 2-00-02360 | 1 | NUT HEX FIN .38 16 ZINC PL |
| 17 | 8-03-02042 | 1 | WELDMENT VACUUM TUBE TOPSE |
| 18 | 2-00-02217 | 2 | CLAMP HOSE HS 40 |
| 19 | 7-33-02234 | 1 | HOSE TANK OUTLET |
| 20 | 2-00-00596 | 2 | NUT FULL HEX FIN .50 13 ZN |
| 21 | 2-00-00241 | 2 | SCREW HHC.50 13 X 1.75 GR5 ZN |
| 22 | 2-00-04159 | 2 | WSHR FL 1.375X.563X.109 STL.ZN |
| 23 | 2-00-02312 | 2 | LK WASHER 1/2 ID MED SEC ZN |

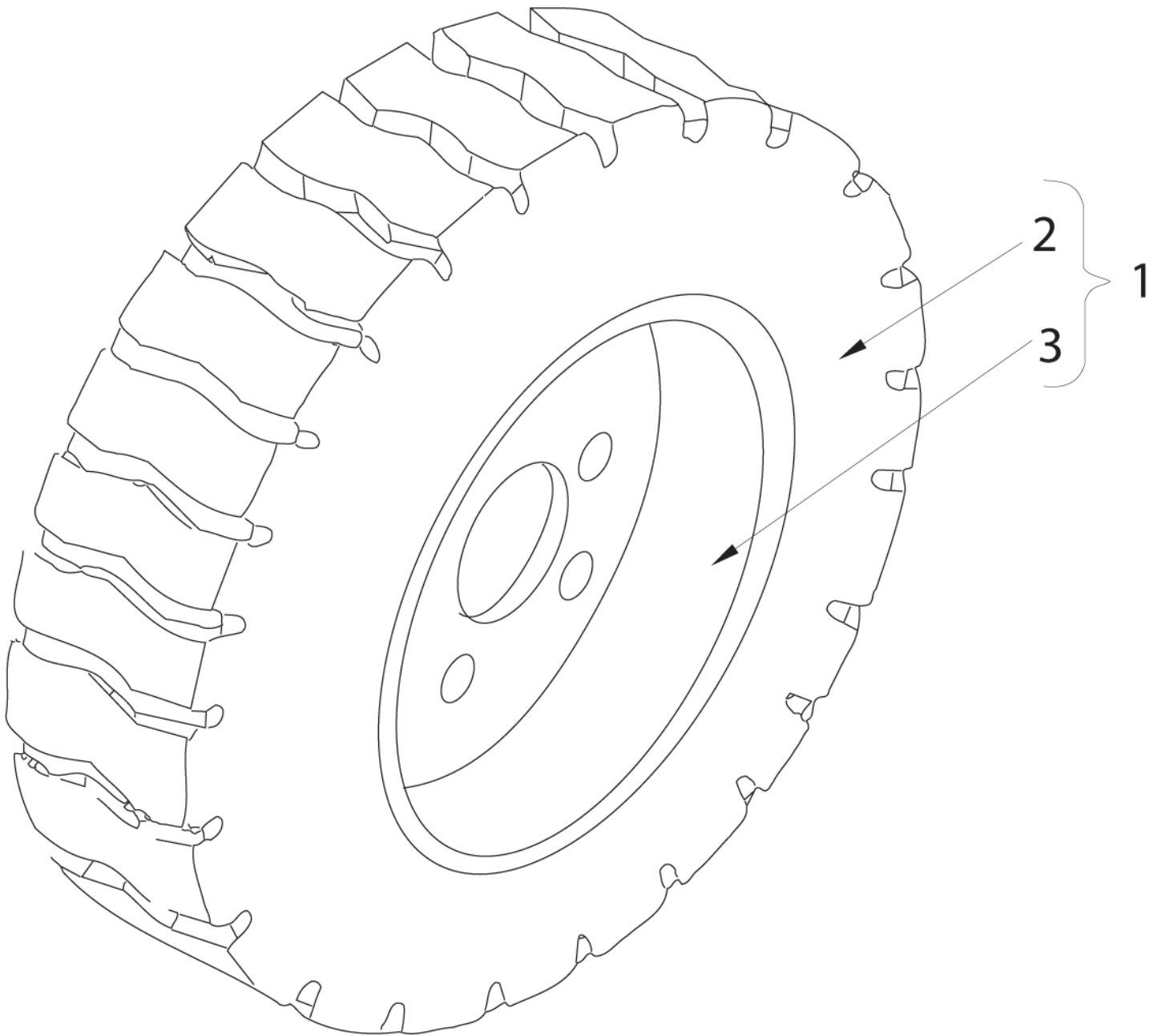
Tire Options

3366 from Serial No. 586001

17-11-2012

Part List ID
3366S586001154

176



Tire Options

3366 from Serial No. 586001

17-11-2012

Part List ID
3366S86001154

177

| Pos | Part no. | Qty | Description |
|-----|------------|-----|--------------------------------|
| 1 | 8-89-08055 | 1 | WHL ASSY SOLID PNEUMATIC SOFT |
| 2 | 8-85-06019 | 1 | TIRE SOLID PNEUMATIC SOFT SHOE |
| 101 | 8-89-08060 | 1 | WHL ASSY SOLID PNEUAMTIC SOFT |
| 102 | 8-85-06019 | 1 | TIRE SOLID PNEUMATIC SOFT SHOE |

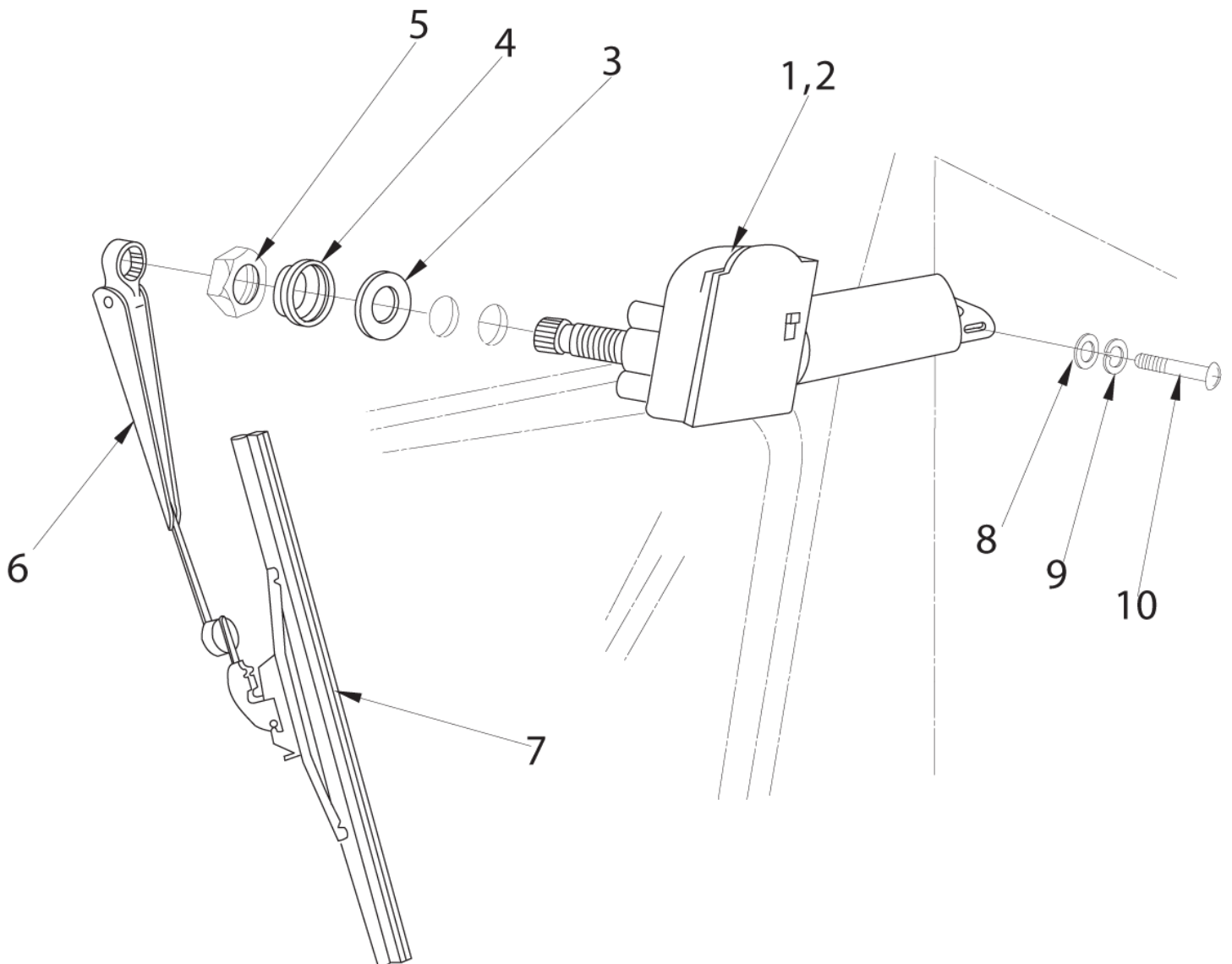
Windshield Wipers (Cap)

3366 from Serial No. 586001

17-11-2012

Part List ID
3366S586001155

178



Windshield Wipers (Cap)

3366 from Serial No. 586001

17-11-2012

Part List ID
3366S86001155

179

| Pos | Part no. | Qty | Description |
|-----|------------|-----|-------------------------------|
| 8 | 2-00-00426 | 1 | WSHR FL .500X.219X.063 STL.ZN |
| 9 | 2-00-00519 | 1 | LK WASH 10 MED SEC ZN |
| 10 | 2-00-00049 | 1 | SCW RHM 10 24 X .50 ZN PL |

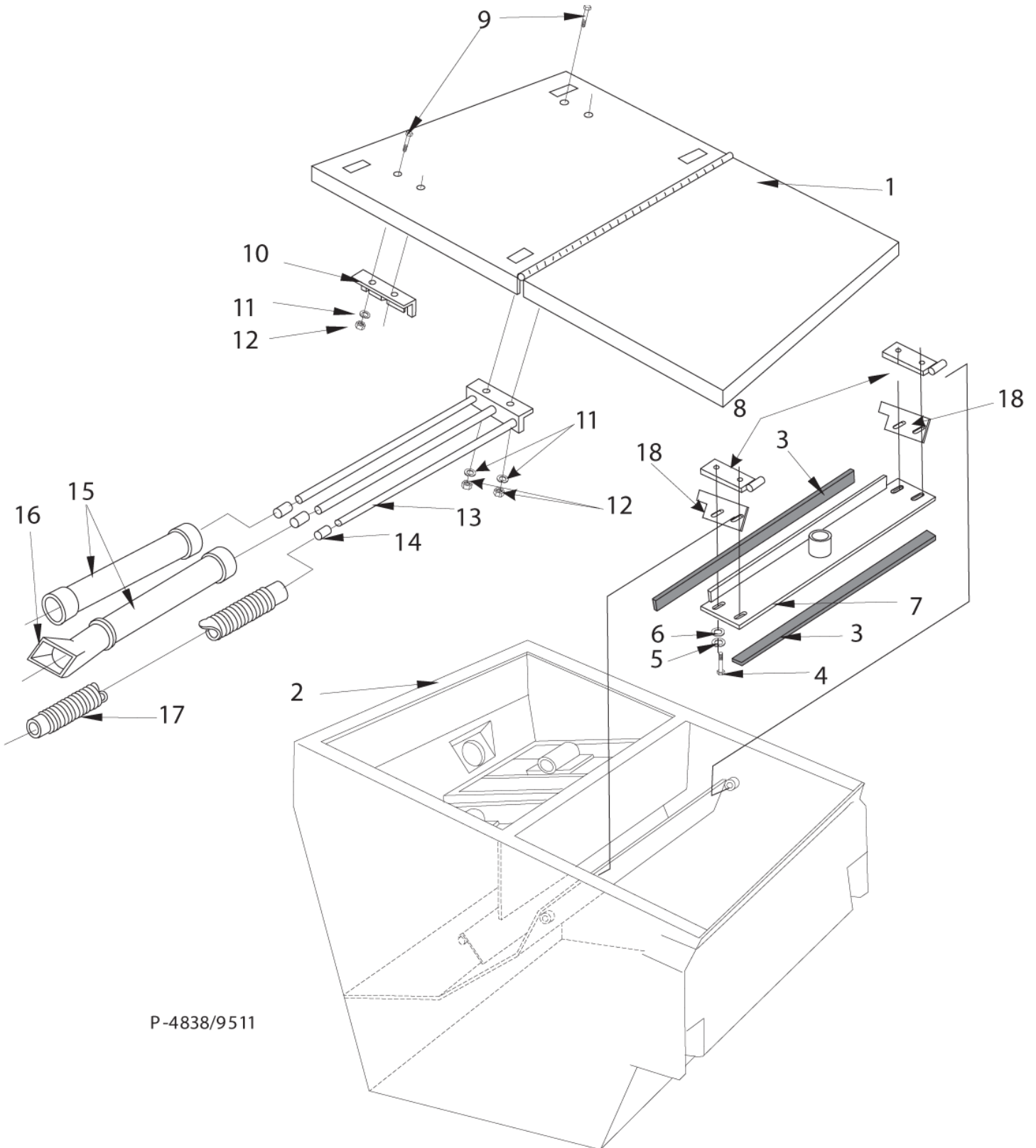
Vacuum Wand Option

3366 from Serial No. 586001

17-11-2012

Part List ID
3366S586001157

180



P-4838/9511

Vacuum Wand Option

3366 from Serial No. 586001

17-11-2012

Part List ID
3366Sb860011b/

181

| Pos | Part no. | Qty | Description | REF |
|-----|------------|-----|--------------------------------|-----|
| 1 | 8-16-07320 | 1 | COVER WELDMENT | REF |
| 3 | 8-29-00190 | 2 | GASKET HINGE TO HOPPER | |
| 4 | 2-00-00221 | 4 | SCW HHC .25 20 X .75 GR 8 ZN | |
| 5 | 2-00-00518 | 4 | LK WASH 1/4 MED. SECTION ZN | |
| 6 | 2-00-03702 | 4 | WSHR FL..625X.281X.063 STL.ZN | |
| 7 | 8-58-05239 | 1 | PLATE ADAPTER HAND WAND 3300 | |
| 8 | 8-57-05019 | 2 | WLDMT PIVOT | |
| 9 | 2-00-01481 | 4 | SCREW RHM .31 18 X 1.00 SLOTHD | |
| 10 | 8-08-00622 | 1 | BRACKET LATCH | |
| 11 | 2-00-00530 | 4 | LK WASH 5/16 MED SEC SPL ZN | |
| 12 | 2-00-00585 | 4 | NUT HEX FIN .31 18 ZN | |
| 13 | 8-08-00623 | 1 | BRKT VAC WAND HOSE STORAGE | |
| 14 | 8-11-00034 | 3 | CAP FOR MECH. SWITCH | |
| 15 | 8-89-00002 | 2 | WAND | |
| 16 | 8-86-08010 | 1 | FLOOR TOOL | |
| 17 | 8-33-02121 | 1 | HOSE | |
| 18 | 8-25-08183 | 2 | FLAP VAC WAND OPTION | |

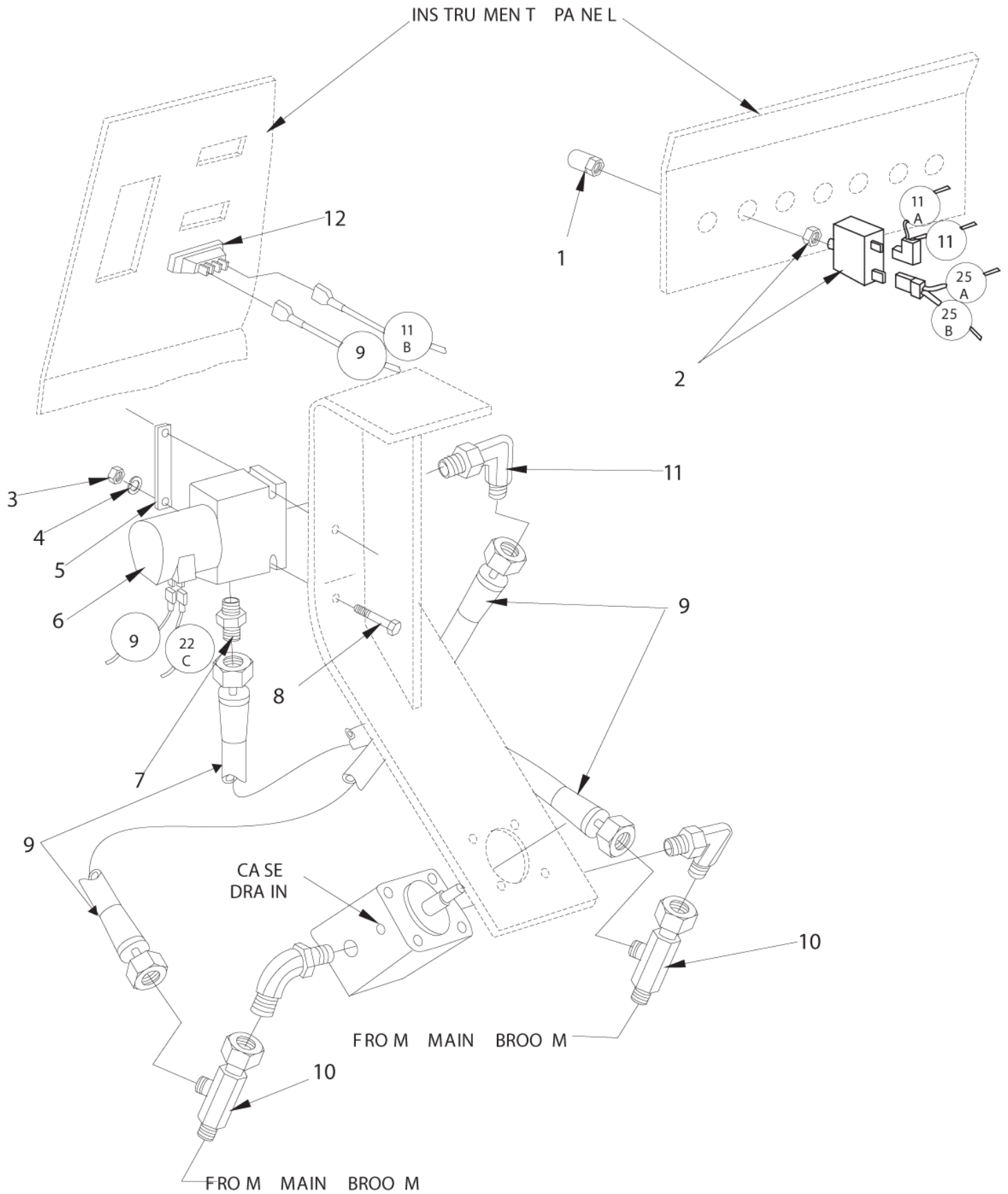
Wet Sweep Bypass Option

3366 from Serial No. 586001

17-11-2012

Part List ID
3366S586001159

182



Wet Sweep Bypass Option

3366 from Serial No. 586001

17-11-2012

Part List ID
3366S86001159

183

| Pos | Part no. | Qty | Description |
|-----|------------|-----|--------------------------------|
| 1 | 8-11-00044 | 1 | BOOT |
| 2 | 8-64-00008 | 1 | CIRCUIT BREAKER 15 AMP |
| 3 | 2-00-00594 | 2 | NUT HEX STD FIN .25 20 ZN |
| 4 | 2-00-00518 | 2 | LK WASH 1/4 MED. SECTION ZN |
| 5 | 8-08-00590 | 1 | BRACKET SIDE BROOM VALVE MTG |
| 6 | 7-14-07005 | 1 | COIL |
| 6 | 8-88-00042 | 1 | VALVE SOLENOID N.C. |
| 7 | 2-00-04970 | 1 | FITTING HYD STR 8 ORS 8 SAE |
| 8 | 2-00-02589 | 2 | SCW HHC .25 20 X 2.00 GR5 ZN |
| 9 | 8-33-02193 | 2 | HOSE HYD ORS8 STR ENDS 18 |
| 10 | 2-00-04928 | 2 | FITTING RUN TEE ORS8MALE TOEML |
| 11 | 2-00-04885 | 1 | HYD.FITTING SAE TO OR 90 EL |
| 12 | 8-82-00044 | 1 | SWITCH SPST ON OFF |

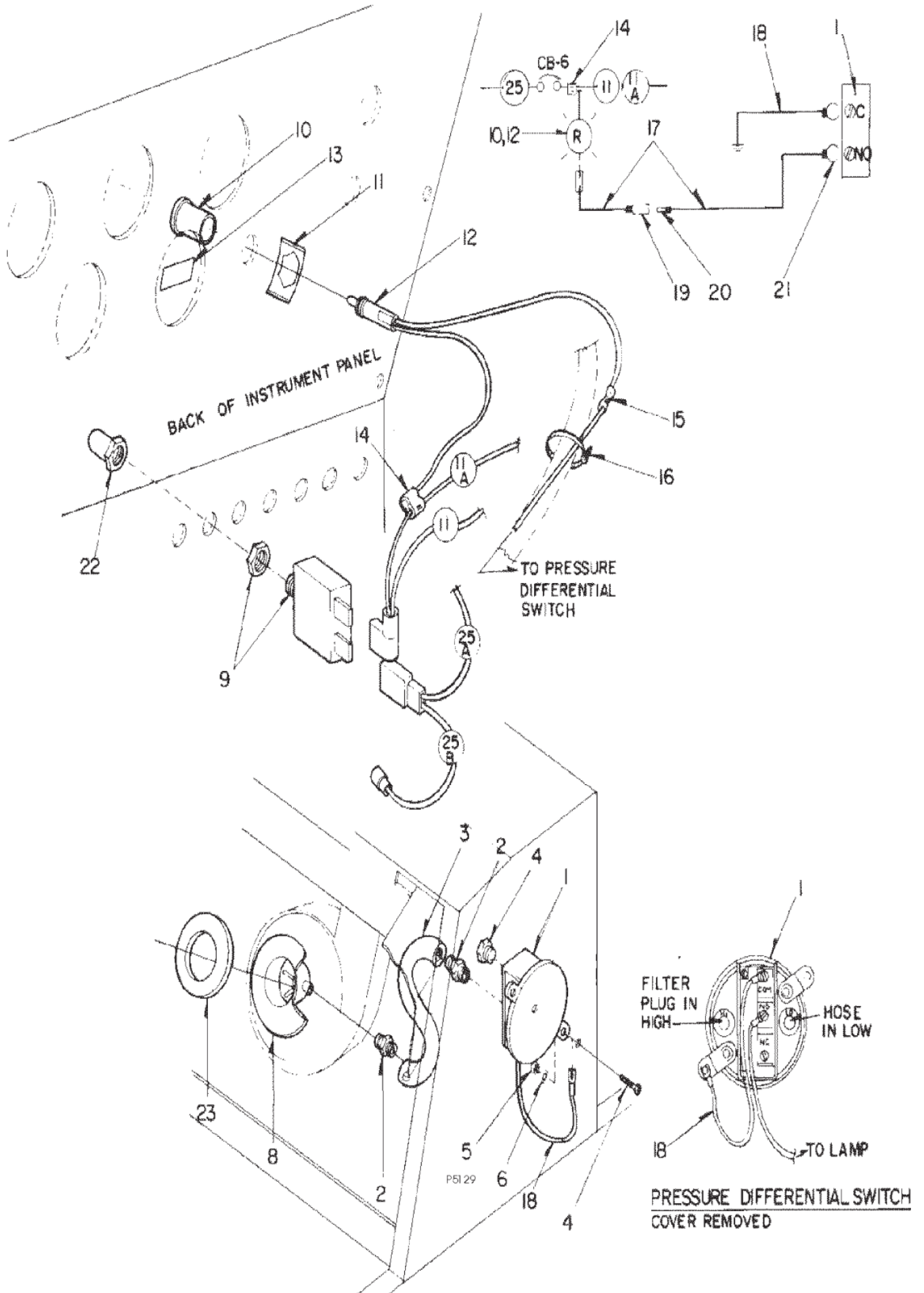
Filter Warning System Option

3366 from Serial No. 586001

17-11-2012

Part List ID
3366S586001161

184



Filter Warning System Option

3366 from Serial No. 586001

17-11-2012

Part List ID
3366Sb86001161

185

| Pos | Part no. | Qty | Description |
|-----|------------|-----|----------------------------------|
| 1 | 8-63-05014 | 1 | CLOGGED FILTER SWITCH |
| 2 | 2-00-04518 | 2 | FITTING |
| 3 | 7-87-02155 | 1 | TUBE DETERGENT FEED .25X9.0 |
| 4 | 8-24-04075 | 2 | FILTER PLG |
| 5 | 2-00-04479 | 2 | QUICK CONNECT SPLICE |
| 6 | 2-00-01128 | 1 | CONN BUTT SPLICE INSULATED |
| 7 | 2-00-04345 | 10 | TY RAP THOMAS+BETTS TY 28M |
| 8 | 8-11-00044 | 1 | BOOT |
| 9 | 8-64-00008 | 1 | CIRCUIT BREAKER 15 AMP |
| 10 | 56305660 | 1 | LIGHT RED LED INDICATOR |
| 11 | 2-00-04735 | 1 | SPEED NUT SN461 |
| 12 | 7-40-05027 | 1 | LIGHT ASSEMBLY 14V |
| 14 | 3-61-00189 | 1 | 16GA STRANDED BLK INSUL WIRE 16" |
| 16 | 2-00-04626 | 2 | TERMINAL BULLET FEMALE |
| 17 | 2-00-04578 | 1 | TERMINAL BULLET MALE |
| 18 | 3-61-00249 | 1 | 16 STRANDED GREEN INSUL 92.50" |
| 19 | 2-00-03261 | 1 | GROM BAT CABLE ATLANTIC INDIA |
| 18A | 3-61-00249 | 1 | 16 STRANDED GREEN INSUL 20.00" |

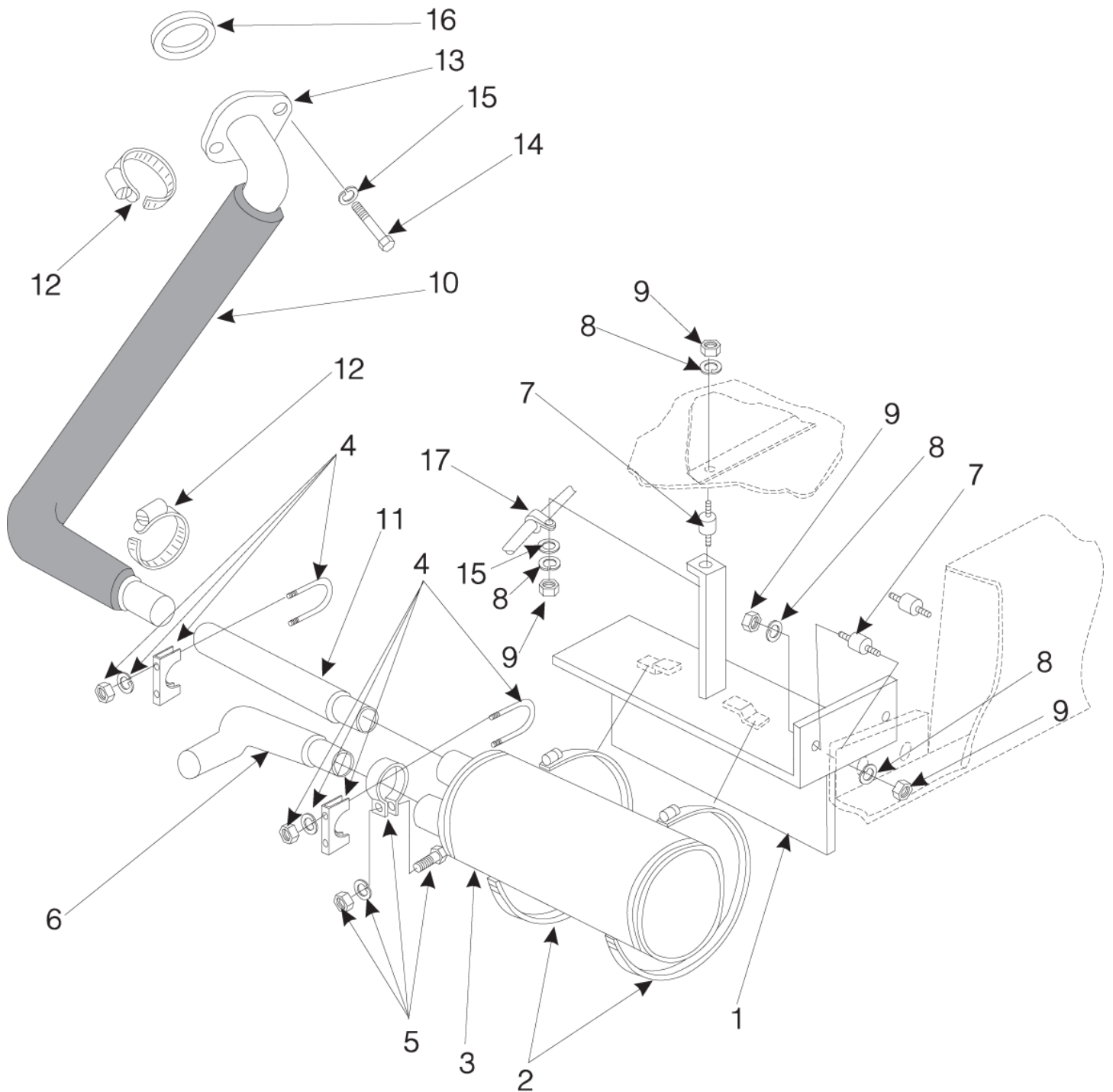
Ford 413 Exhaust System

3366 from Serial No. 586001

17-11-2012

Part List ID
3366S586001163

186



Ford 413 Exhaust System

3366 from Serial No. 586001

17-11-2012

Part List ID
3366S86001163

187

| Pos | Part no. | Qty | Description |
|-----|------------|-----|--------------------------------|
| 1 | 8-72-00006 | 1 | WLDMT SHROUD MUFFLER |
| 2 | 2-00-04400 | 2 | CLAMP IDEAL 7 INCH 4 INCH |
| 3 | 7-49-00027 | 1 | MUFFLER |
| 4 | 2-00-04040 | 2 | CLAMP MUFFLER |
| 5 | 7-13-07082 | 1 | CLAMP |
| 6 | 8-56-04043 | 1 | PIPE TAIL |
| 7 | 8-50-05037 | 3 | PAD |
| 8 | 2-00-00530 | 6 | LK WASH 5/16 MED SEC SPL ZN |
| 9 | 2-00-00585 | 6 | NUT HEX FIN .31 18 ZN |
| 10 | 7-34-09015 | 1 | INSULATION SLEEVE |
| 11 | 8-56-04033 | 1 | PIPE EXHAUST EXTENSION |
| 12 | 2-00-03404 | 6 | CLAMP WITTECK C24P |
| 13 | 8-56-04041 | 1 | EXHAUST PIPE |
| 14 | 2-00-05005 | 2 | SCW HHC M10X1.50X30MM GR8.8 BO |
| 15 | 2-00-02311 | 2 | LK WSH MED SEC SPL ZN 7/16 BLT |
| 16 | 8-29-00199 | 1 | GASKET EXHAUST PIPE |
| 17 | 2-00-04441 | 1 | CLAMP-CABLE |

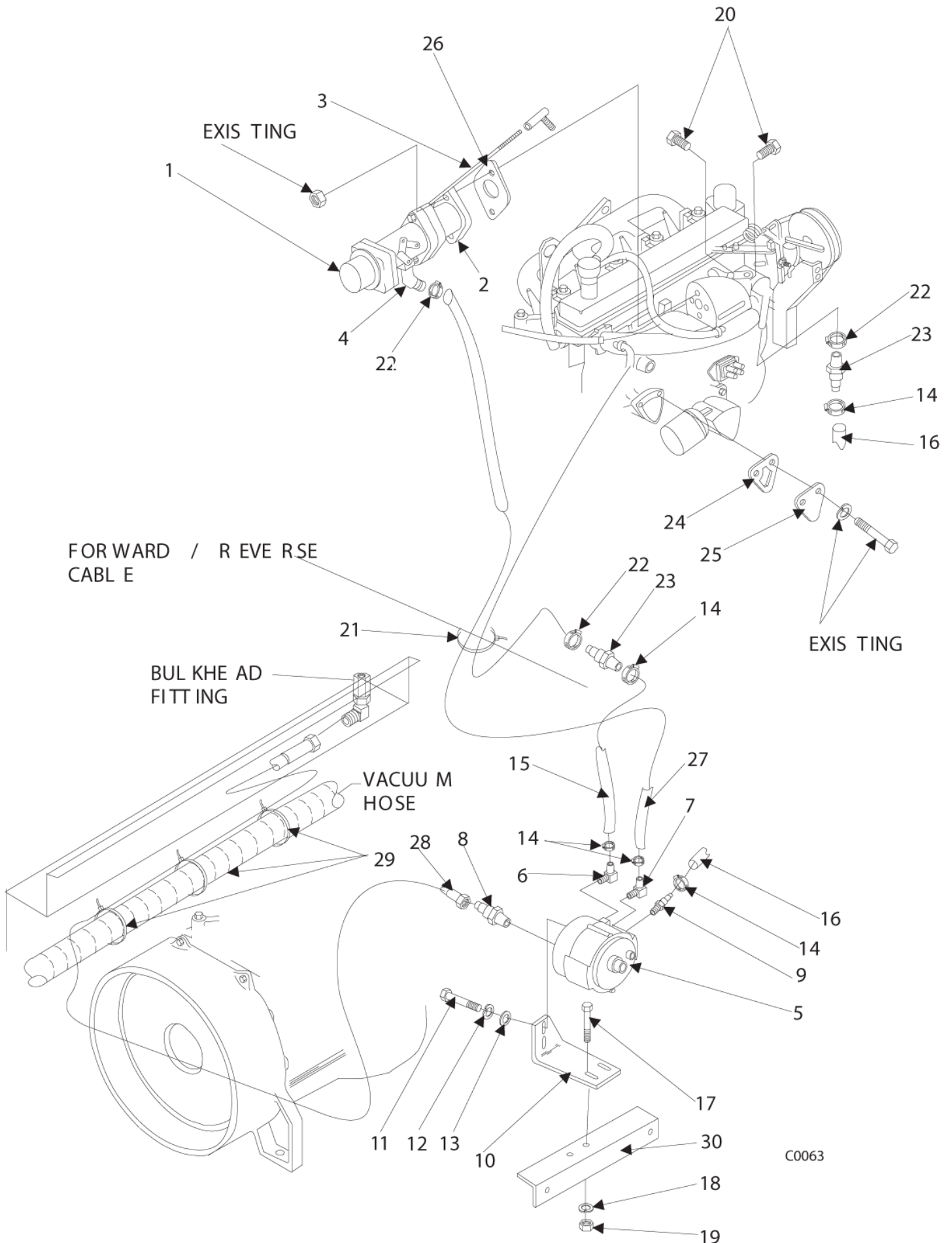
Ford 425 LP System (OHG Carburetor)

3366 from Serial No. 586001

17-11-2012

Part List ID
3366S586001165

188



Ford 425 LP System (OHG Carburetor)

3366 from Serial No. 586001

17-11-2012

Part List ID
3366S86001166

189

| Pos | Part no. | Qty | Description | |
|-----|------------|-----|----------------------------|--------------------|
| 0 | 8-11-04019 | 1 | L.P. CARB. KIT | ITEMS 1 THROUGH 27 |
| 28 | 7-33-02246 | 1 | LP FUEL HOSE 54 IN SE | REF. |
| 29 | 2-00-04345 | 3 | TY RAP THOMAS+BETTS TY 28M | |

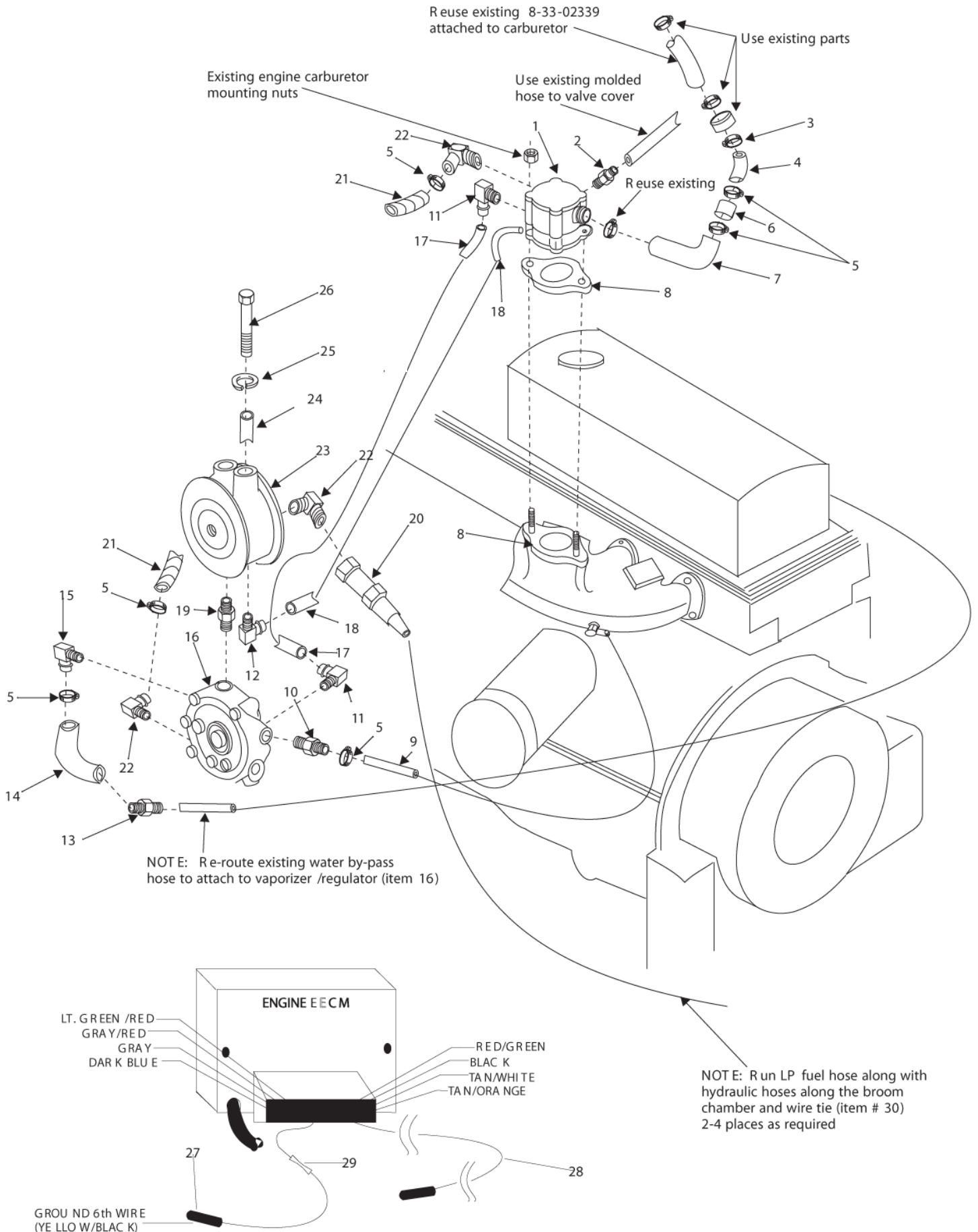
Ford 413 LP System

3366 from Serial No. 586001

17-11-2012

Part List ID
3366S586001167

190



Ford 413 LP System

3366 from Serial No. 586001

17-11-2012

Part List ID
3366S8600116/

191

| Pos | Part no. | Qty | Description |
|-----|------------|-----|-------------------------------|
| 5 | 2-00-00246 | 2 | SCW HHC .25 20 X 2.25 GR 5 ZN |
| 6 | 7-75-01096 | 2 | SPACER LEVER MTG |
| 8 | 2-00-00220 | 4 | SCW HHC .25 20 X .63 GR 8 ZN |
| 9 | 2-00-00518 | 4 | LK WASH 1/4 MED. SECTION ZN |
| 10 | 2-00-03702 | 4 | WSHR FL..625X.281X.063 STL.ZN |
| 18 | 2-00-03702 | 2 | WSHR FL..625X.281X.063 STL.ZN |
| 19 | 2-00-00594 | 2 | NUT HEX STD FIN .25 20 ZN |
| 20 | 2-00-00518 | 2 | LK WASH 1/4 MED. SECTION ZN |
| 29 | 2-00-01128 | 1 | CONN BUTT SPLICE INSULATED |
| 30 | 3-61-00189 | 1 | 16GA STRANDED BLK INSUL WIRE |
| 31 | 2-00-00828 | 1 | TERM STAKON T+B B 71 TYPE 1 |
| 32 | 8-33-02266 | 1 | ELBOW AIR INLET |
| 33 | 2-00-02216 | 2 | CLAMP IDEAL CO 5232 |
| 34 | 8-87-02110 | 1 | TUBE AIR INLET |

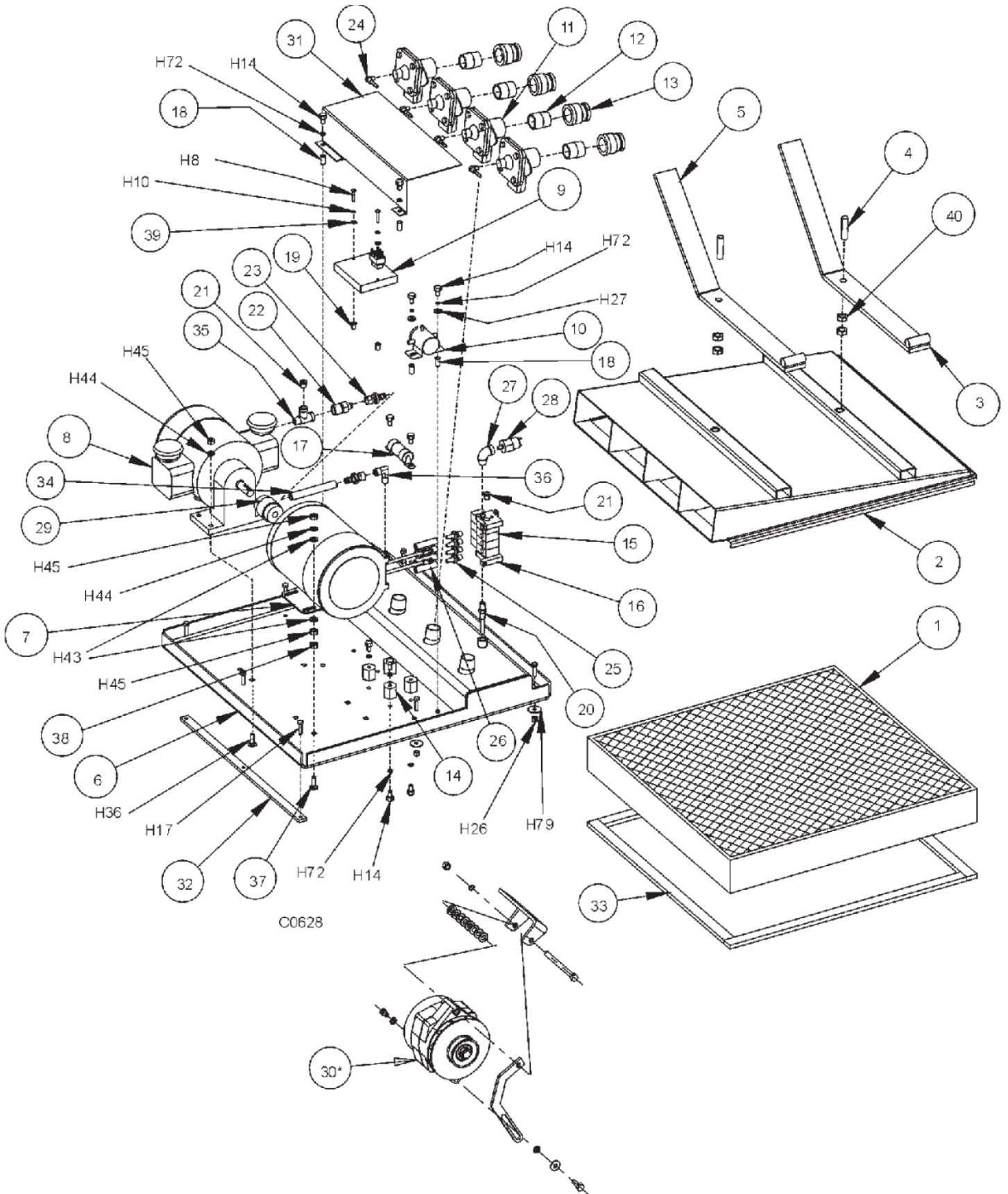
Pulse - Air3

3366 from Serial No. 586001

17-11-2012

Part List ID
3366S586001169

192



Pulse - Air3

3366 from Serial No. 586001

17-11-2012

Part List ID
3366S86001169

193

| Pos | Part no. | Qty | Description | |
|-----|------------|-----|--------------------------------|-----------|
| 0 | 8-09-01082 | 2 | BUSHING UNIVERSAL | NOT SHOWN |
| 1 | 56382788 | 1 | FILTER PANEL POLY HIGH FLOW | |
| 2 | 8-20-06041 | 1 | FILTER DUCT FOR 3366 ECDC | |
| 3 | 8-13-07152 | 1 | CLAMP FILTER DUCT ECDC OPTION | |
| 4 | 8-80-05045 | 2 | STUD | |
| 5 | 8-13-07151 | 1 | CLAMP FILTER DUCT ECDC OPTION | |
| 6 | 8-48-00022 | 1 | MANIFOLD FOR 3366 ECDC | |
| 7 | 0782-091 | 1 | MOTOR 1 HP | |
| 8 | 0890-006 | 1 | COMPRESSOR W/SEALED BRGS. | |
| 9 | 8-64-00017 | 1 | RELAY SOLID STATE 3366XP ECDC | |
| 10 | 7-74-00002 | 1 | SOLENOID | |
| 11 | 8-88-00061 | 4 | VALVE PILOT OPERATED | |
| 12 | 8-56-05080 | 4 | FITTING 1 CLOSE NIPPLE | |
| 13 | 2-00-03859 | 4 | FITTING REDUCER | |
| 14 | 56469858 | 4 | INSULATED STANDOFF | |
| 15 | 8-88-00062 | 4 | VALVE | |
| 16 | 8-58-05787 | 1 | END PLATE | |
| 17 | 7-28-00002 | 1 | FUSE 80AMP | |
| 18 | 2-00-05261 | 4 | INSERT 1/4 20 | |
| 19 | 2-00-05262 | 2 | INSERT 10 24 THREAD | |
| 20 | 8-25-02037 | 1 | FITTING PULSE AIR VALVE | |
| 21 | 2-00-02471 | 2 | GALV PIPE PLUG | |
| 23 | 2-00-04856 | 2 | FITTING-BARBED | |
| 24 | 2-00-04787 | 4 | MALE PIPE 90 DEG ELBOW BARB | |
| 25 | 2-00-04518 | 4 | FITTING | |
| 26 | 56370004 | 4 | HOSE FUEL LINE .25 E00071 | |
| 27 | 8-56-05061 | 1 | 90 DEG STREET ELBOW 1/4 NPT | |
| 28 | 8-82-00063 | 1 | SWITCH PRESSURE | |
| 29 | 7-16-05021 | 1 | FLEXIBLE COUPLING | |
| 30 | 8-03-03007 | 1 | ALTERNATOR 94A 12V LES FAN PUL | |
| 31 | 8-16-07379 | 1 | FUSE COVER ECDC OPTION | |
| 32 | 8-13-07154 | 1 | CLAMP FOR 3366 ECDC OPTION | |
| 33 | 3-73-00050 | 1 | GASKET-MICROCELLULAR URETHANE | 8 |
| 34 | 8-33-02335 | 1 | HOSE | |
| 35 | 2-00-04515 | 1 | TEE 1/4NPT STREET TEE | |
| 36 | 2-00-04477 | 1 | FITTING PIPE MALE 90 DEG ELBOW | |

Pulse - Air3 - Electrical Schematic

3366 from Serial No. 586001

17-11-2012

Part List ID
3366S860011/1

195

| Pos | Part no. | Qty | Description |
|-----|------------|-----|------------------------------------|
| 1 | 0895-092 | 1 | WIRE HARNESS ASSY DIESEL |
| 5 | 2-00-04284 | 4 | RING TERMINAL INSULATED |
| 6 | 3-61-00021 | 1 | 6 19X7 / 27 GA 1/16 BLK INSUL 35/E |
| 7 | 3-61-00144 | 1 | NO.14 19 BLACK STRANDED 10/E |
| 8 | 2-00-03418 | 3 | SPADE TERMINAL FEMALE |
| 9 | 2-00-04584 | 5 | TERMINAL BULLET FEMALE |
| 10 | 2-00-04578 | 7 | TERMINAL BULLET MALE |
| 11 | 8-28-05020 | 1 | FUSE 5 AMP ATC |
| 12 | 2-00-04479 | 2 | QUICK CONNECT SPLICE |
| 14 | 3-61-00189 | 1 | 16GA STRANDED BLK INSUL WIRE 5/E |
| 15 | 2-00-04281 | 1 | RING TERMINAL INSULATED |
| 16 | 2-00-01862 | 3 | RING TERMINAL INSULATED |
| 17 | 2-00-04345 | 10 | TY RAP THOMAS+BETTS TY 28M |
| 18 | 7-32-03019 | 1 | HOLDER FUSE |
| 19 | 8-82-00059 | 1 | SWITCH |
| 20 | 2-00-04626 | 2 | TERMINAL BULLET FEMALE |

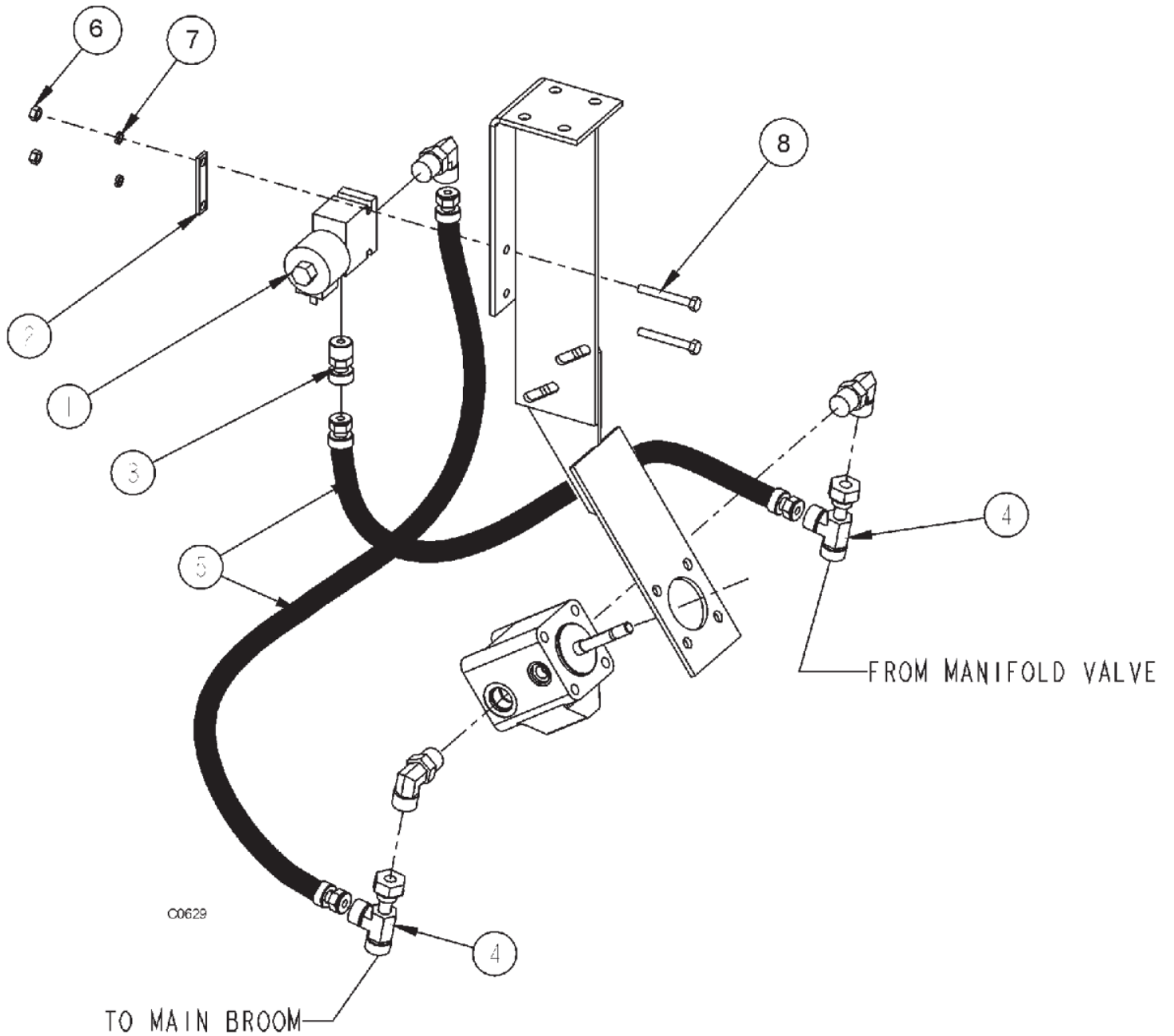
Pulse - Air3

3366 from Serial No. 586001

17-11-2012

Part List ID
3366S586001172

196



Pulse - Air3

3366 from Serial No. 586001

17-11-2012

Part List ID
3366S860011/2

197

| Pos | Part no. | Qty | Description |
|-----|------------|-----|--------------------------------|
| 1 | 7-88-00038 | 1 | VALVE SOLENIOD N.O. |
| 2 | 8-08-00590 | 1 | BRACKET SIDE BROOM VALVE MTG |
| 3 | 2-00-04970 | 1 | FITTING HYD STR 8 ORS 8 SAE |
| 4 | 2-00-04928 | 2 | FITTING RUN TEE ORS8MALE TOEML |
| 5 | 8-33-02193 | 2 | HOSE HYD ORS8 STR ENDS 18 |