

3366 after Serial No. 586065

Model:
3366 from Serial No.
586065



Part List US-English

28-01-2013

Nilfisk
ALTO
works for you

www.nilfisk-alto.com

Ersatzteile auf www.gluesing.net

Table of Contents

3366 after Serial No. 586065

Safety Air Cleaner Option	3
Broom Options	5
Back-up Alarm Option	7
Blower Attachment Option	9
Tire Options	11
Fire Extinguisher Option	13
Protecto-seal Gas Cap Option	15
Lights Option	17
Lights Option (head, tail, instruments, turn, 4-wa	19
Lights Option (head, tail, instruments, turn, 4-wa	21
Curb Light Option	23
Overhead Guard Option	25
Warning Light Optiond without Overhead Guard	27
Warning Light Options with Overhead Guard	29
Rear Work Light Option	31
Front Wheel Guards Option	33
Suspension Seat Option	35
Retractable Seat Belt Option	37
Timed Filter Shaker Motors Option	39
Left Side Broom Option	41
Dual Vacuumized Side Brooms Option	44
Vacuum Wand Option	46
Wet Sweep Bypass Option	48
Clogged Filter Indicator Option	50
External Protection Package Option	52
Standard Covers with Stainless Steel Hinges Option	54
Standard Covers with Stainless Steel Hinges Option	56
Stainless Steel Hopper Option	58
Hopper High Temperature Shutdown Option	60
Se Air Cleaner (Raised Air Intake) with Overhead G	62
Se Air Cleaner (Raised Air Intake) without Overhea	64
A/C Option - Diesel	66
A/C Option - GM 3.0L	68
Heater Option GAS	70
Heater Option LPG	72
Heater Option DSL	74

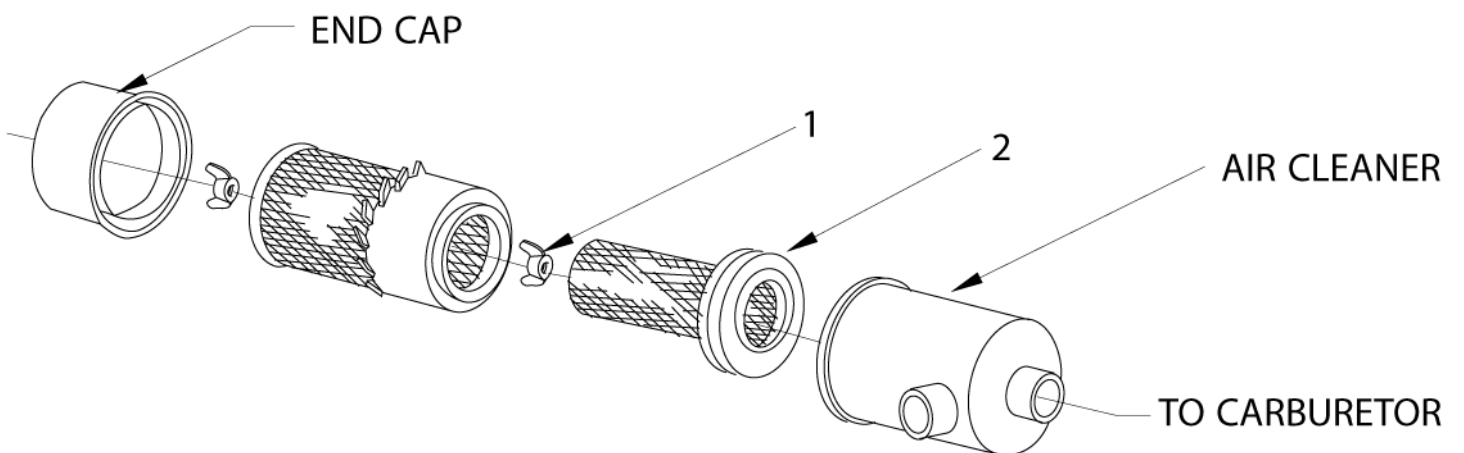
Safety Air Cleaner Option

3366 after Serial No. 586065

28-01-2013

Part List ID
336658606502

3



Safety Air Cleaner Option

3366 after Serial No. 586065

28-01-2013

Part List ID
336658606502

4

Pos	Part no.	Qty	Description
1	8-23-03064	1	WING NUT ASSY
2	8-24-04111	1	FILTER ELEMENT SAFETY INNER
3	8-24-04106	1	AIR FILTER ELEMENT

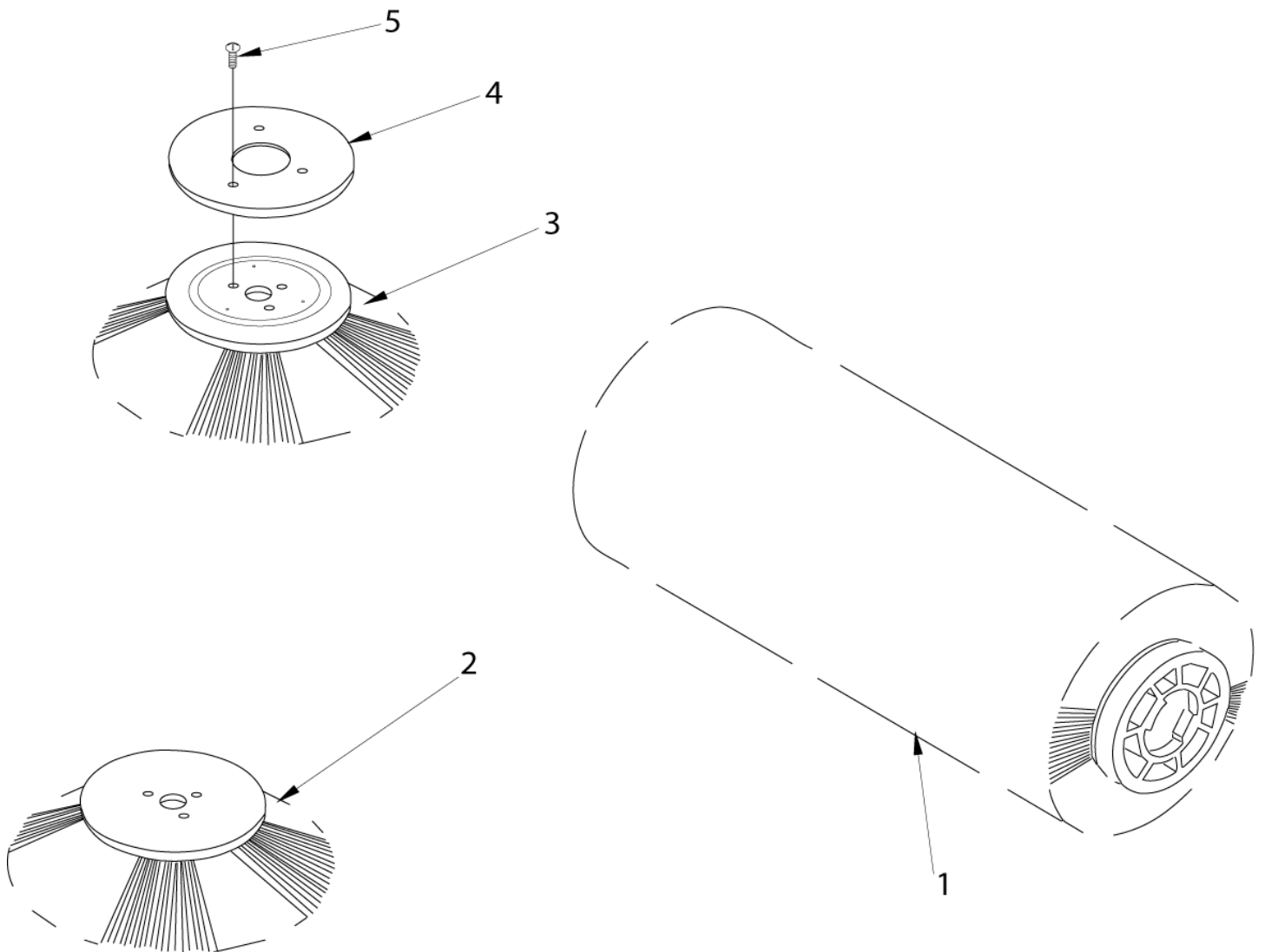
Broom Options

3366 after Serial No. 586065

28-01-2013

Part List ID
336658606503

5



Broom Options

3366 after Serial No. 586065

28-01-2013

Part List ID
336658606503

6

Pos	Part no.	Qty	Description
1	8-08-03191	1	MAIN BROOM FIBRE AND WIRE
1	8-08-03202	1	BROOM MAIN PROEX WIRE
1	8-08-03204	1	BROOM MAIN PROEX
1	8-08-03207	1	BROOM MAIN NYLON
1	8-08-03209	1	BROOM MAIN POLYPROPYLENE
1	8-08-03210	1	BROOM MAIN NAT FIBRE WIRE H/D
1	8-08-03214	1	BROOM MAIN POLY WIRE
2	8-08-03211	1	NYLON SIDE BROOM
2	8-08-03212	1	BROOM SIDE PROLENE .060
3	8-08-03199	1	BROOM WIRE SIDE
4	8-58-05248	1	PLATE SIDE BROOM RETAINER
5	2-00-04121	3	SCREW WOOD PH RHD 10 13X.75

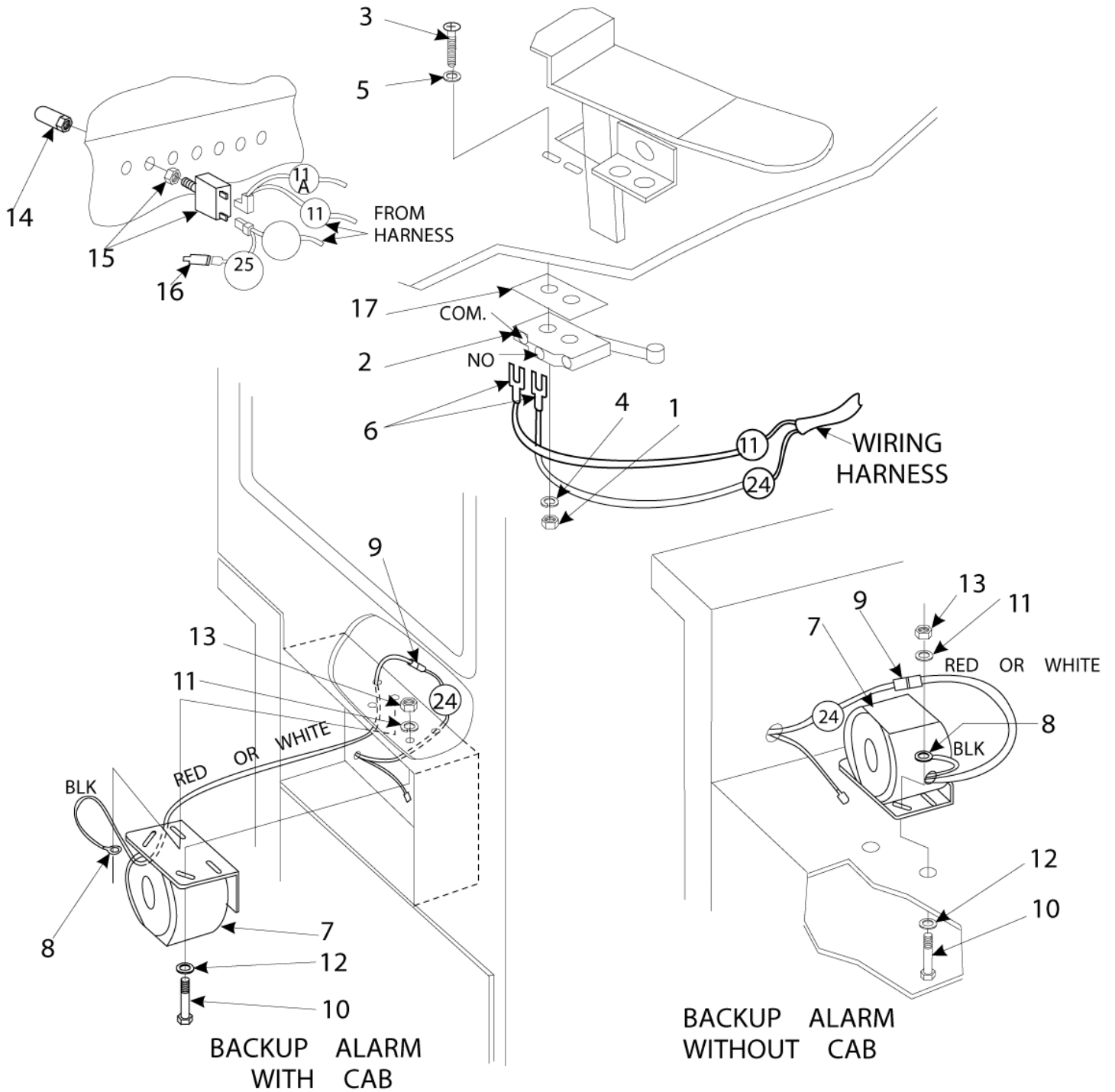
Back-up Alarm Option

3366 after Serial No. 586065

28-01-2013

Part List ID
336658606504

7



Back-up Alarm Option

3366 after Serial No. 586065

28-01-2013

Part List ID
336658606504

8

Pos	Part no.	Qty	Description
1	2-00-00624	2	NUT HEX MAC SCR 6 32 STL/ZN
2	7-82-00009	1	SWITCH
3	2-00-05060	2	SCREW PH. RHM 6 32 X 1.25 ZN
4	2-00-01499	2	LK WASH HELICAL SPR 6SCR MED.
5	2-00-00455	2	WSHR FLAT .375X 156X.047 STL.
6	2-00-04808	2	FORK TERMINAL LOCKING
7	56409232	1	BACK UP ALARM
8	2-00-04282	1	RING TERMINAL INSULATED
9	2-00-04578	1	TERMINAL BULLET MALE
10	2-00-00213	2	SCREW HHC .313 18 X .625 ZN
11	2-00-02303	2	LK WASH INT TOOTH ZINC PL
12	2-00-00409	2	WSHR FLAT.688X.344X.063 STL
13	2-00-00585	2	NUT HEX FIN .31 18 ZN
14	8-11-00044	1	BOOT
15	8-64-00008	1	CIRCUIT BREAKER 15 AMP
16	8-11-00015	1	SPADE TERMINAL MALE
17	7-35-00013	1	INSULATION

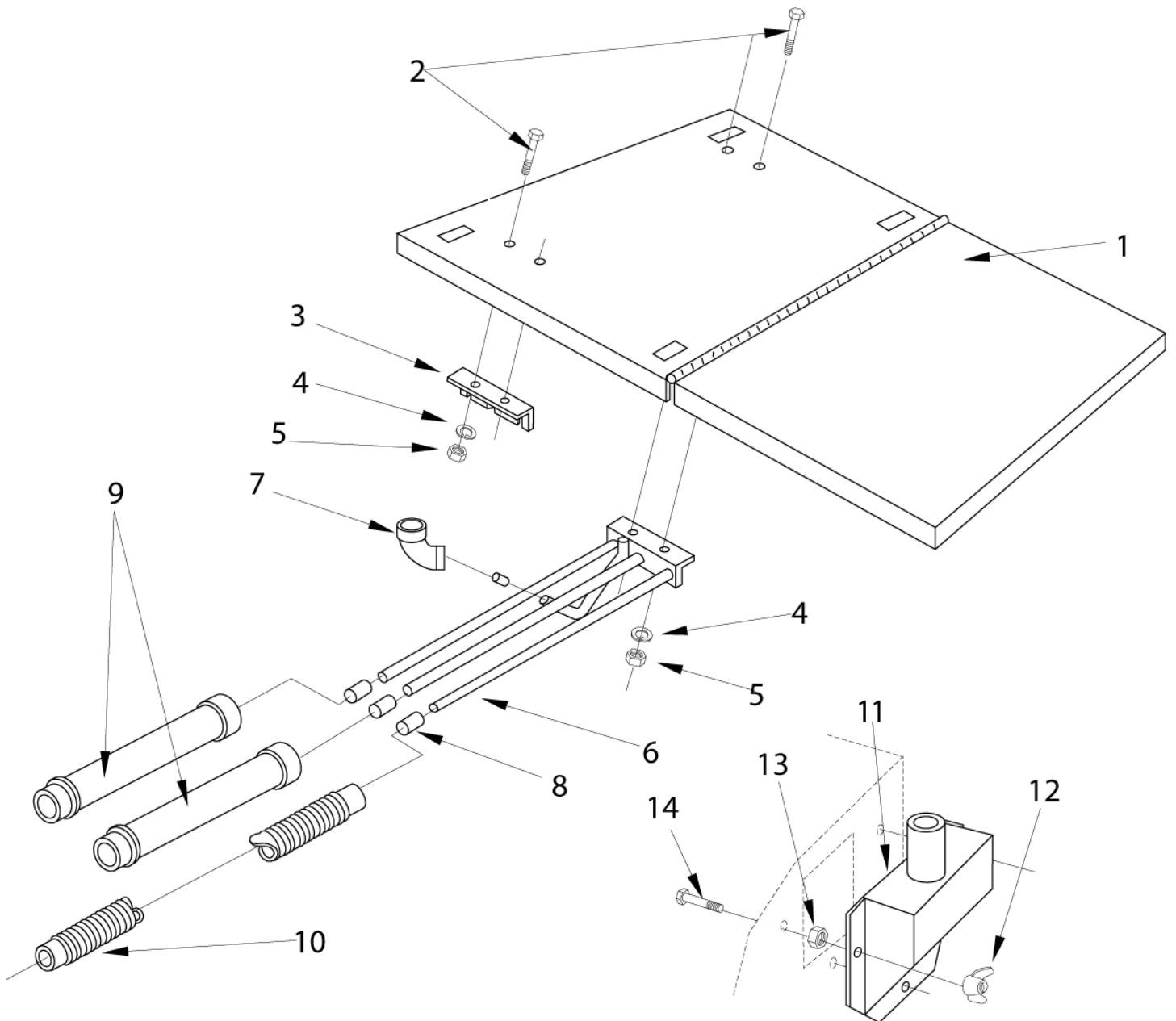
Blower Attachment Option

3366 after Serial No. 586065

28-01-2013

Part List ID
336658606506

9



Blower Attachment Option

3366 after Serial No. 586065

28-01-2013

Part List ID
336658606506

10

Pos	Part no.	Qty	Description
1	8-16-07319	1	COVER WELDMENT UPPER 3300
2	2-00-01481	4	SCREW RHM .31 18 X 1.00 SLOTHD
3	8-08-00622	1	BRACKET LATCH
4	2-00-00530	4	LK WASH 5/16 MED SEC SPL ZN
5	2-00-00585	4	NUT HEX FIN .31 18 ZN
6	8-08-00670	1	BRKT. BLOWR COMPONENTS STORAGE
7	8-21-07019	1	ELBOW 90DEG ADAPTER
8	8-11-00034	4	CAP FOR MECH. SWITCH
9	8-89-00002	2	WAND
10	8-33-02121	1	HOSE
11	8-07-06018	1	WLDMT TRANSITION BOX
12	2-00-00672	3	NUT WING .25 20
13	2-00-00594	3	NUT HEX STD FIN .25 20 ZN
14	2-00-02706	3	SCW HHM .25 20 X 1.00 GR5 ZN

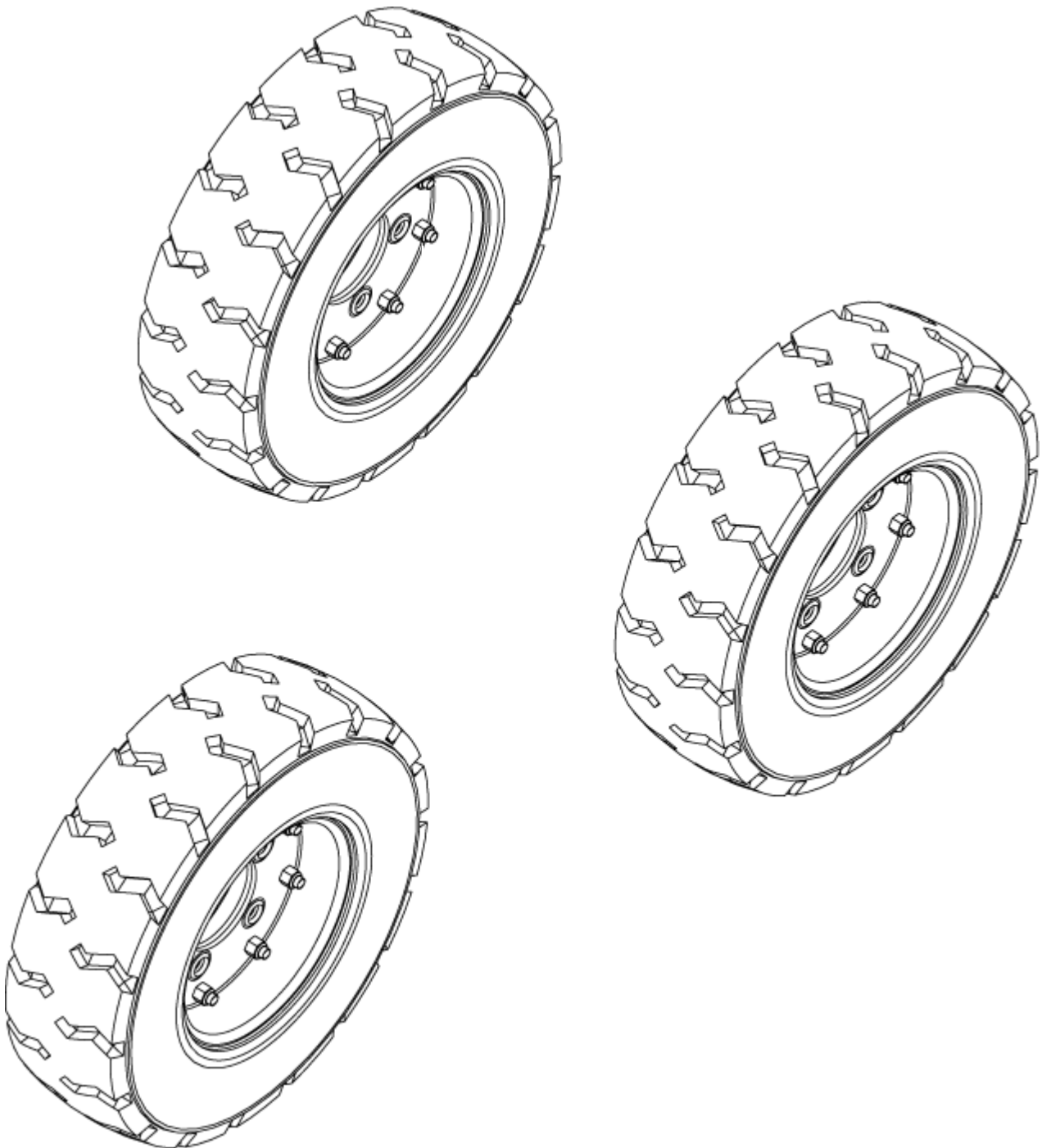
Tire Options

3366 after Serial No. 586065

28-01-2013

Part List ID
336658606507

11



Tire Options

3366 after Serial No. 586065

28-01-2013

Part List ID
33665860650/

12

Pos	Part no.	Qty	Description	
1	7-89-08273	1	WHEEL ASSY PNEUMATIC FOAM	OPTION 0780-683
2	8-89-08056	2	WHL ASSY PNEUMATIC FOAM FILLED	OPTION 0780-683
11	8-89-08060	1	WHL ASSY SOLID PNEUMATIC SOFT	OPTION 0880-684
12	8-89-08055	2	WHL ASSY SOLID PNEUMATIC SOFT	OPTION 0880-684
13	8-65-05016	1	RIM ASSEMBLY	SERVICE PART (FRONT)
15	8-85-06019	1	TIRE SOLID PNEUMATIC SOFT SHOE	SERVICE PART (FRONT & REAR)
21	8-89-08068	1	WHEEL ASSEMBLY	OPTION 0880-685
23	8-65-05016	1	RIM ASSEMBLY	SERVICE PART (FRONT)
31	8-89-08060	1	WHL ASSY SOLID PNEUMATIC SOFT	OPTION 0880-686
32	8-89-08060	2	WHL ASSY SOLID PNEUMATIC SOFT	OPTION 0880-686
33	8-65-05016	1	RIM ASSEMBLY	SERVICE PART (FRONT)

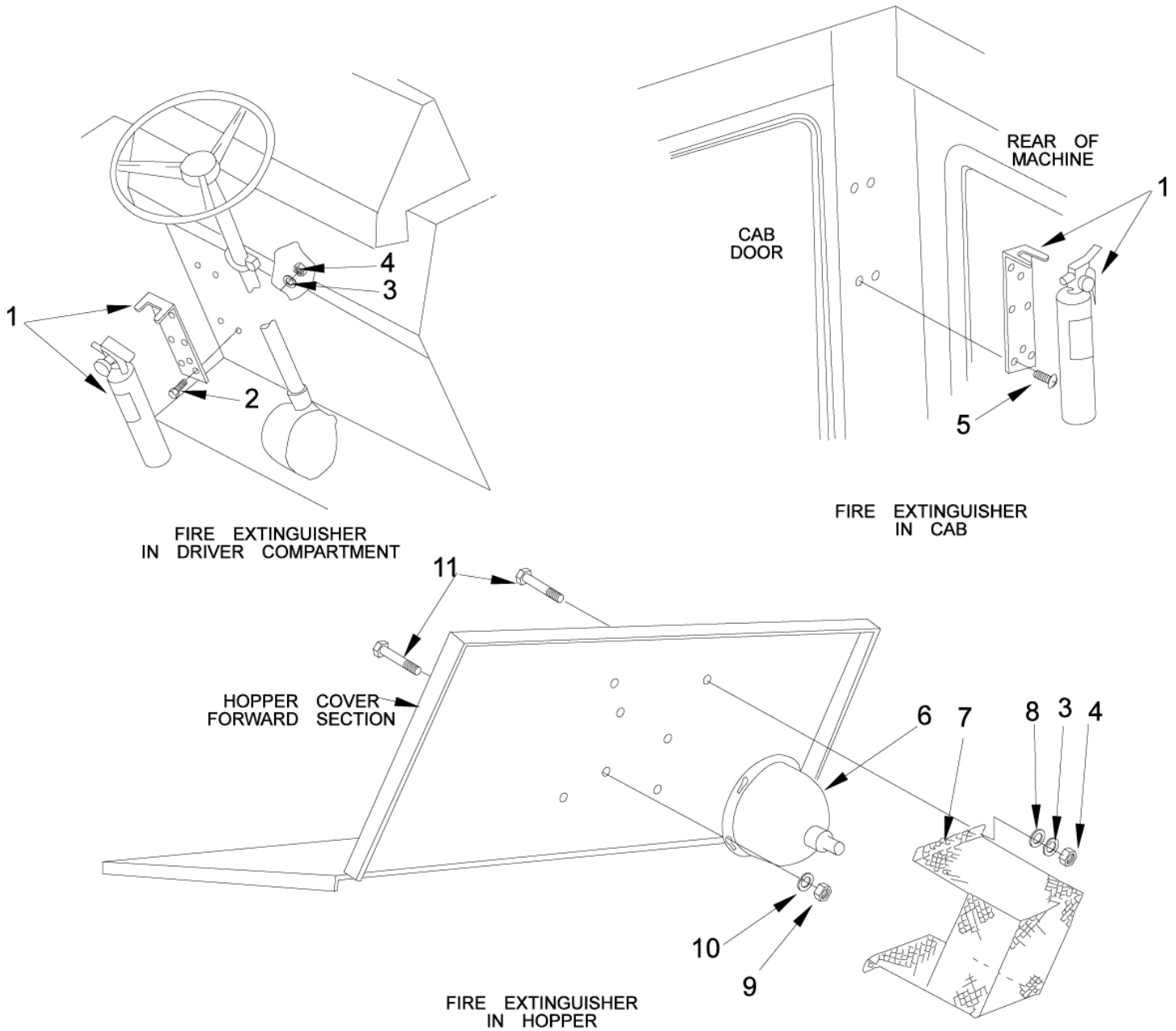
Fire Extinguisher Option

3366 after Serial No. 586065

28-01-2013

Part List ID
336658606508

13



FIRE EXTINGUISHER
IN DRIVER COMPARTMENT

FIRE EXTINGUISHER
IN CAB

FIRE EXTINGUISHER
IN HOPPER

Fire Extinguisher Option

3366 after Serial No. 586065

28-01-2013

Part List ID
336658606508

14

Pos	Part no.	Qty	Description
1	8-83-04033	1	FIRE EXTINGUISHER 2 1/2 POUND
2	2-00-00221	4	SCW HHC .25 20 X .75 GR 8 ZN
3	2-00-00518	8	LK WASH 1/4 MED. SECTION ZN
4	2-00-00594	8	NUT HEX STD FIN .25 20 ZN
5	2-95-01998	4	SCREW T/FRH 14 10X75
6	8-83-04023	1	TANK FIRE EXTINGUISHER /SE IN HOPPER
8	2-00-00447	4	WSHR FLT 1.25X281X09 ZN
9	2-00-00641	3	NUT INS FIBRE .25 20 ZN PL
10	2-00-03702	3	WSHR FL..625X281X063 STL.ZN
11	2-00-00051	7	SCREW RHM .25 20 X .75

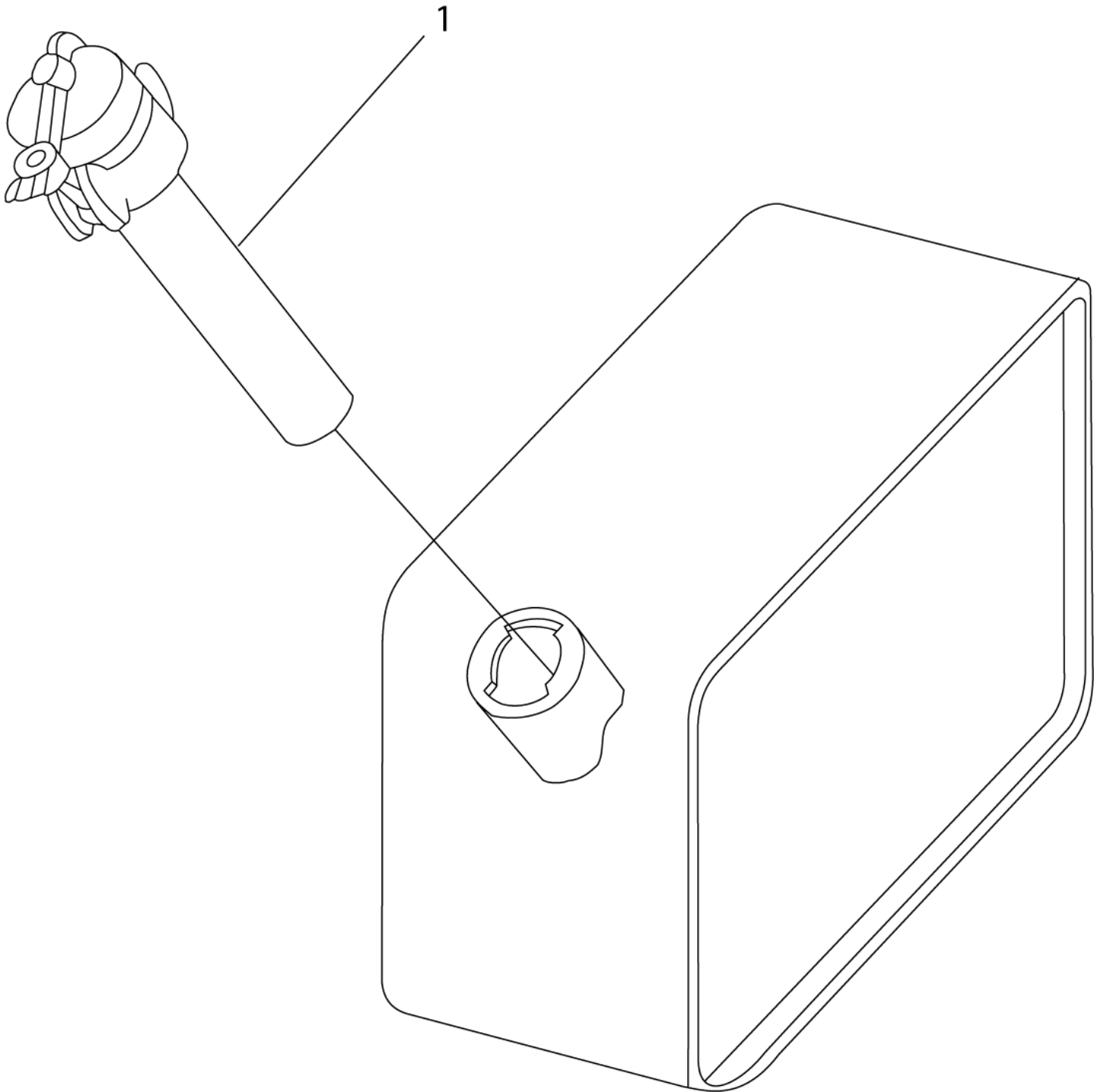
Protecto-seal Gas Cap Option

3366 after Serial No. 586065

28-01-2013

Part List ID
336658606509

15



Protecto-seal Gas Cap Option

3366 after Serial No. 586065

28-01-2013

Part List ID
336658606509

16

Pos	Part no.	Qty	Description
1	8-11-00024	1	CAP GAS ARRESTOR FLAME

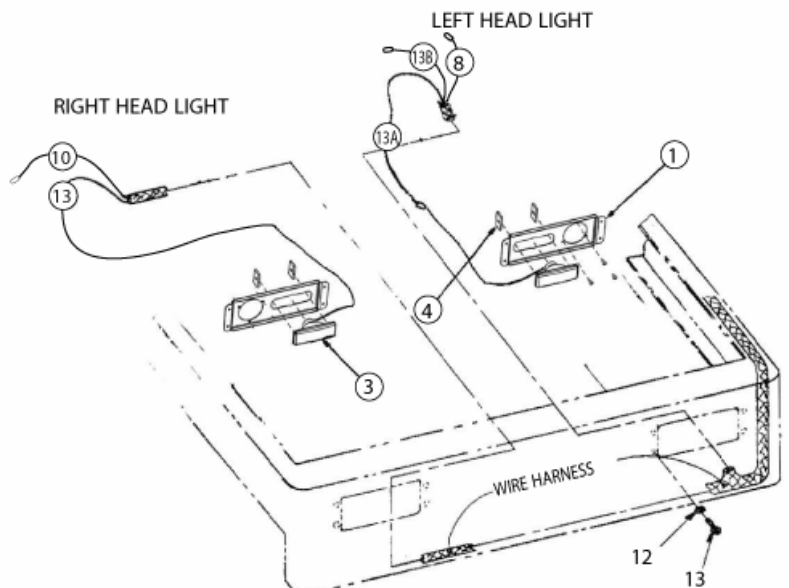
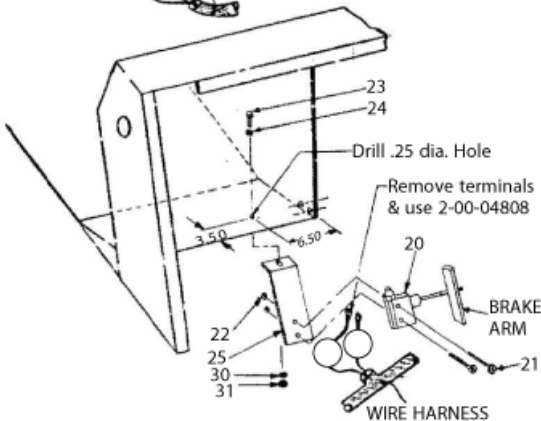
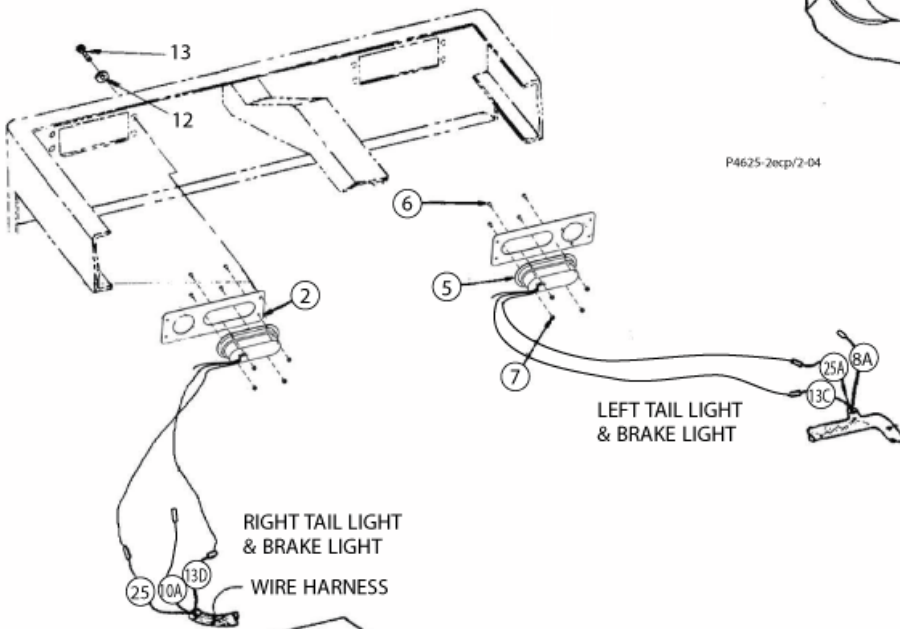
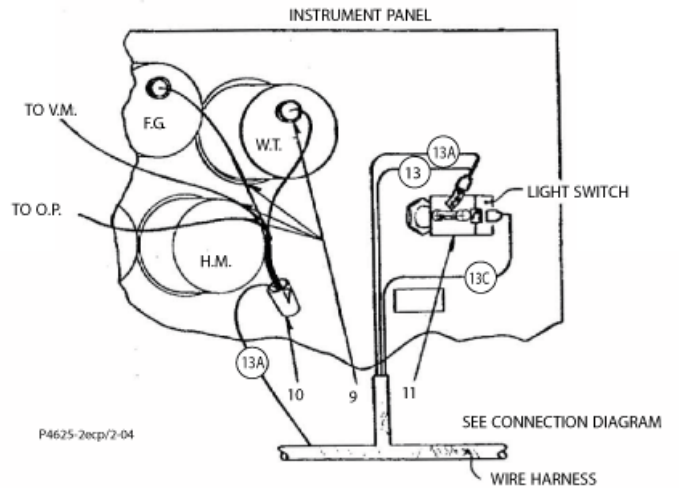
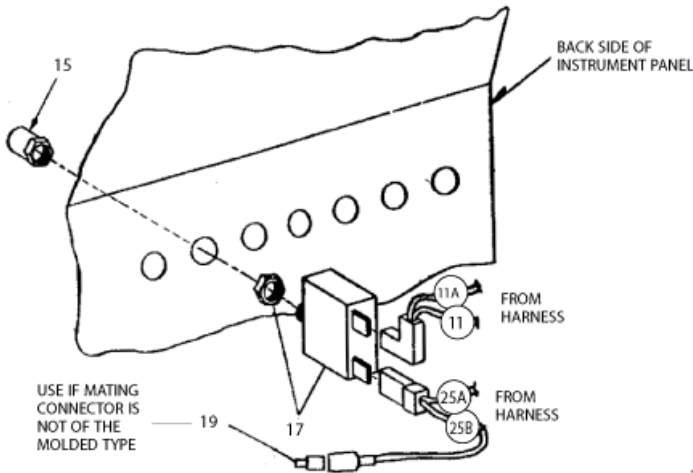
Lights Option

3366 after Serial No. 586065

28-01-2013

Part List ID
336658606511

17



NOTE: INSERT BRAKE SWITCH BEHIND BRAKE ARM AS SHOWN WITH BRAKES OFF, THEN ADJUST BRAKE SWITCH IN SLOTS UNTIL BRAKE LIGHTS GO OUT AND STAY OUT. TEST SEVERAL TIMES TO MAKE SURE BRAKE LIGHTS COME ON WHEN BRAKES ARE APPLIED AND GO OFF WHEN BRAKES ARE RELEASED.

Lights Option

3366 after Serial No. 586065

28-01-2013

Part List ID
336658606511

18

Pos	Part no.	Qty	Description	
1	7-08-01178	2	BRACKET FRONT LIGHT	
2	7-08-01173	2	BRKT REAR LIGHT	
3	7-40-05046	1	HEADLIGHT 1 PAIR 12V 55W	
4	7-08-01174	4	BRKT HEADLIGHT MOUNT	
5	7-40-05047	2	LIGHT TAIL/BRAKE/TURN RED	
6	2-00-00049	20	SCW RHM 10 24 X .50 ZN PL	
7	2-00-01246	20	10 24 NYLON INSERT THIN	
9	8-40-05030	4	INSTRUMENT LIGHT	
10	2-00-04588	1	WIRE NUT CONNECTOR	
11	8-82-00027	1	SWITCH HEAD LIGHT	
12	2-00-00501	16	LK WASH INT TOOTH ZN	
13	2-00-04876	16	SCREW 1/4 20 X.50 BHS GR 8 ZN	
14	2-00-04578	4	TERMINAL BULLET MALE	
15	8-90-07358	4	WIRE GROUND FOR LIGHTS	
17	8-64-00008	1	CIRCUIT BREAKER 15 AMP	
18	8-11-00044	1	BOOT	
19	8-11-00015	1	SPADE TERMINAL MALE	
20	8-82-00058	1	SWITCH	
21	2-00-00090	2	SCW PH.RHM 8 32 X 1.50 ZN	
22	2-00-01372	2	NUT INS FIBRE 8 32 STL/ZN	
23	2-00-00221	1	SCW HHC .25 20 X .75 GR 8 ZN	
24	2-00-03702	1	WSHR FL..625X.281X.063 STL.ZN	
25	8-08-00865	1	BRKT BRAKE LITE	
30	2-00-00518	1	LK WASH 1/4 MED. SECTION ZN	
31	2-00-00594	1	NUT HEX STD FIN .25 20 ZN	
32	2-00-05261	16	INSERT 1/4 20	NOT SHOWN

Lights Option (head, tail, instruments, turn, 4-1

3366 after Serial No. 586065

28-01-2013

Part List ID
336658606513

20

Pos	Part no.	Qty	Description	
1	7-08-01178	2	BRACKET FRONT LIGHT	
2	7-08-01173	2	BRKT REAR LIGHT	
3	7-40-05046	1	HEADLIGHT 1 PAIR 12V 55W	
4	7-08-01174	4	BRKT HEADLIGHT MOUNT	
5	7-40-05047	2	LIGHT TAIL/BRAKE/TURN RED	
6	2-00-00049	20	SCW RHM 10 24 X .50 ZN PL	
7	2-00-01246	20	10 24 NYLON INSERT THIN	
8	7-40-05048	4	LIGHT SIDE MARKER AMBER	
9	8-40-05030	4	INSTRUMENT LIGHT	
10	2-00-04588	1	WIRE NUT CONNECTOR	
11	8-82-00027	1	SWITCH HEAD LIGHT	
12	2-00-00501	16	LK WASH INT TOOTH ZN	
13	2-00-04876	16	SCREW 1/4 20 X.50 BHS GR 8 ZN	
14	2-00-04578	4	TERMINAL BULLET MALE	
15	8-90-07358	4	WIRE GROUND FOR LIGHTS	
16	0775-294	2	RESISTOR ASSY	
17	8-64-00008	1	CIRCUIT BREAKER 15 AMP	
18	8-11-00044	1	BOOT	
19	8-11-00015	1	SPADE TERMINAL MALE	
20	8-82-00058	1	SWITCH	
21	2-00-00090	2	SCW PH.RHM 8 32 X 1.50 ZN	
22	2-00-01372	2	NUT INS FIBRE 8 32 STL/ZN	
23	2-00-00221	1	SCW HHC .25 20 X .75 GR 8 ZN	
24	2-00-03702	1	WSHR FL..625X.281X.063 STL.ZN	
25	8-08-00865	1	BRKT BRAKE LITE	
26	2-00-01994	1	SCR TF/PRH 8 15X.75 TYPE A	
27	2-00-01128	2	CONN BUTT SPLICE INSULATED	
28	8-82-00025	1	TURN SIGNAL SWITCH ASSY	
30	2-00-00518	1	LK WASH 1/4 MED. SECTION ZN	
31	2-00-00594	1	NUT HEX STD FIN .25 20 ZN	
32	2-00-05261	16	INSERT 1/4 20	NOT SHOWN

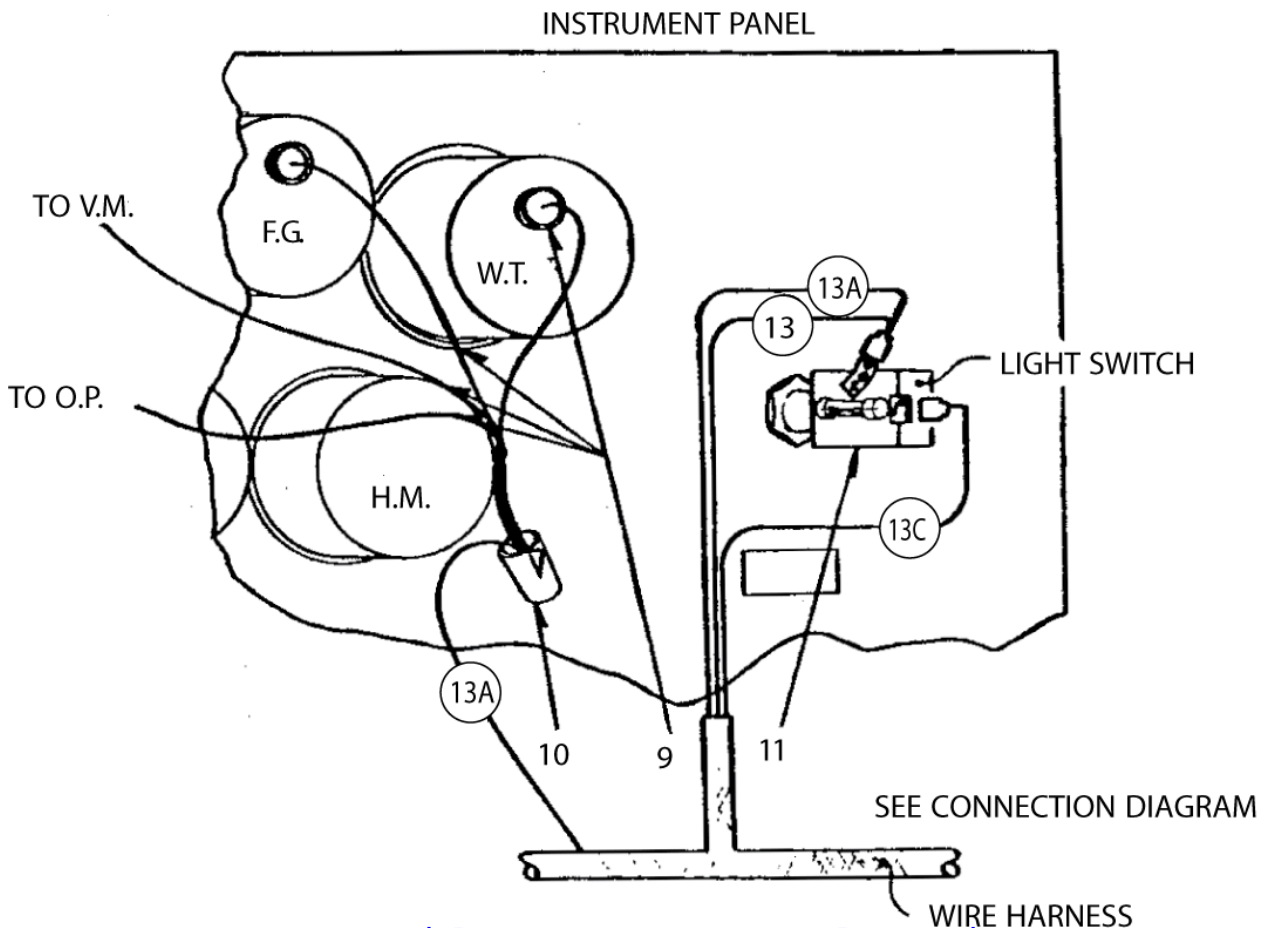
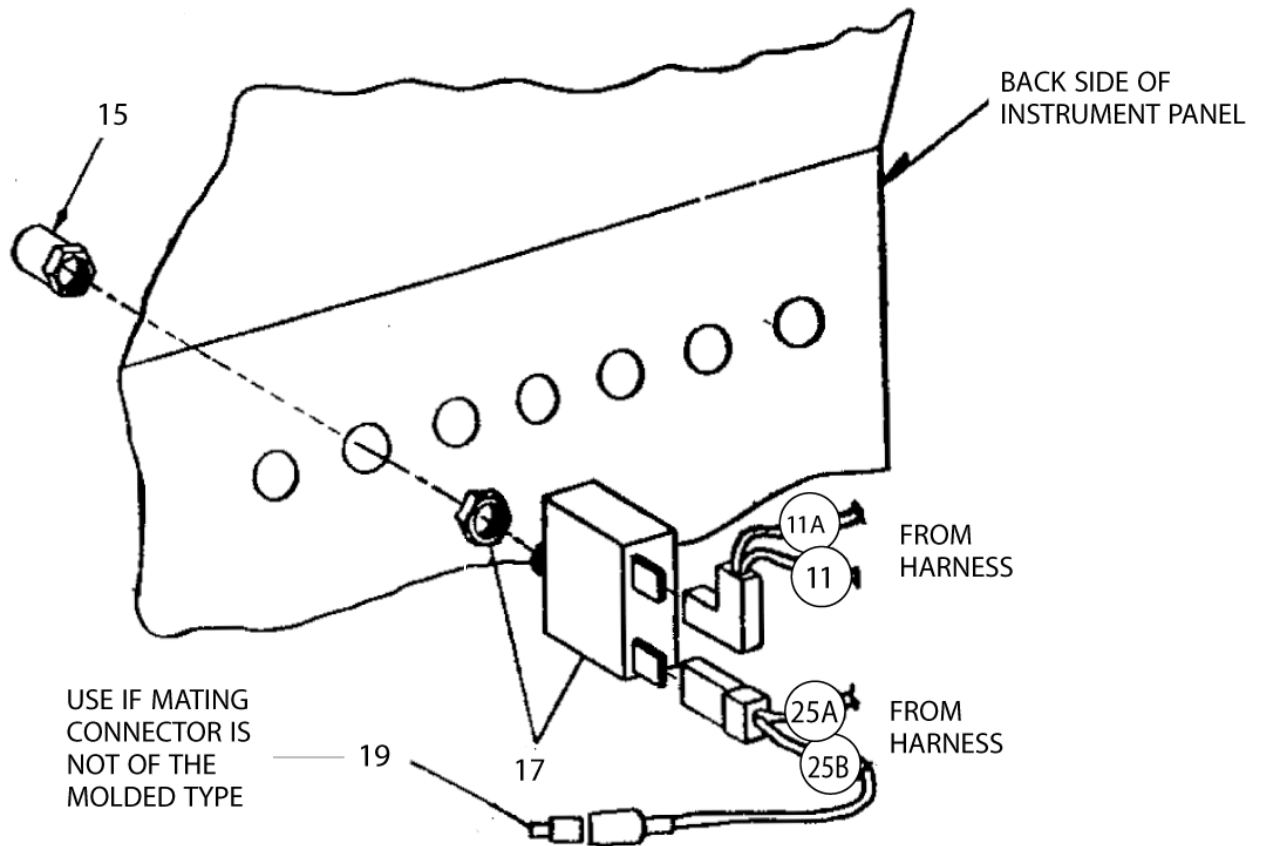
Lights Option (head, tail, instruments, turn, 4-1)

3366 after Serial No. 586065

28-01-2013

Part List ID
336658606515

21



Lights Option (head, tail, instruments, turn, 4-1

3366 after Serial No. 586065

28-01-2013

Part List ID
336658606515

22

Pos	Part no.	Qty	Description
1	7-08-01178	2	BRACKET FRONT LIGHT
2	7-08-01173	2	BRKT REAR LIGHT
3	7-40-05046	1	HEADLIGHT 1 PAIR 12V 55W
4	7-08-01174	4	BRKT HEADLIGHT MOUNT
5	7-40-05047	2	LIGHT TAIL/BRAKE/TURN RED
6	2-00-00049	20	SCW RHM 10 24 X .50 ZN PL
7	2-00-01246	20	10 24 NYLON INSERT THIN
8	7-40-05048	4	LIGHT SIDE MARKER AMBER
9	8-40-05030	4	INSTRUMENT LIGHT
10	2-00-04588	1	WIRE NUT CONNECTOR
11	8-82-00027	1	SWITCH HEAD LIGHT
12	2-00-00501	16	LK WASH INT TOOTH ZN
13	2-00-04876	16	SCREW 1/4 20 X.50 BHS GR 8 ZN
14	2-00-04578	4	TERMINAL BULLET MALE
15	8-90-07358	4	WIRE GROUND FOR LIGHTS
17	8-64-00008	1	CIRCUIT BREAKER 15 AMP
18	8-11-00044	1	BOOT
19	8-11-00015	1	SPADE TERMINAL MALE
20	8-82-00058	1	SWITCH
21	2-00-00090	2	SCW PH.RHM 8 32 X 1.50 ZN
22	2-00-01372	2	NUT INS FIBRE 8 32 STL/ZN
23	2-00-00221	1	SCW HHC .25 20 X .75 GR 8 ZN
24	2-00-03702	1	WSHR FL..625X281X.063 STL.ZN
25	8-08-00865	1	BRKT BRAKE LITE
26	2-00-01994	1	SCR TF/PRH 8 15X.75 TYPE A
27	2-00-01128	2	CONN BUTT SPLICE INSULATED
28	8-82-00025	1	TURN SIGNAL SWITCH ASSY
30	2-00-00518	1	LK WASH 1/4 MED. SECTION ZN
31	2-00-00594	1	NUT HEX STD FIN .25 20 ZN
32	2-00-05261	16	INSERT 1/4 20

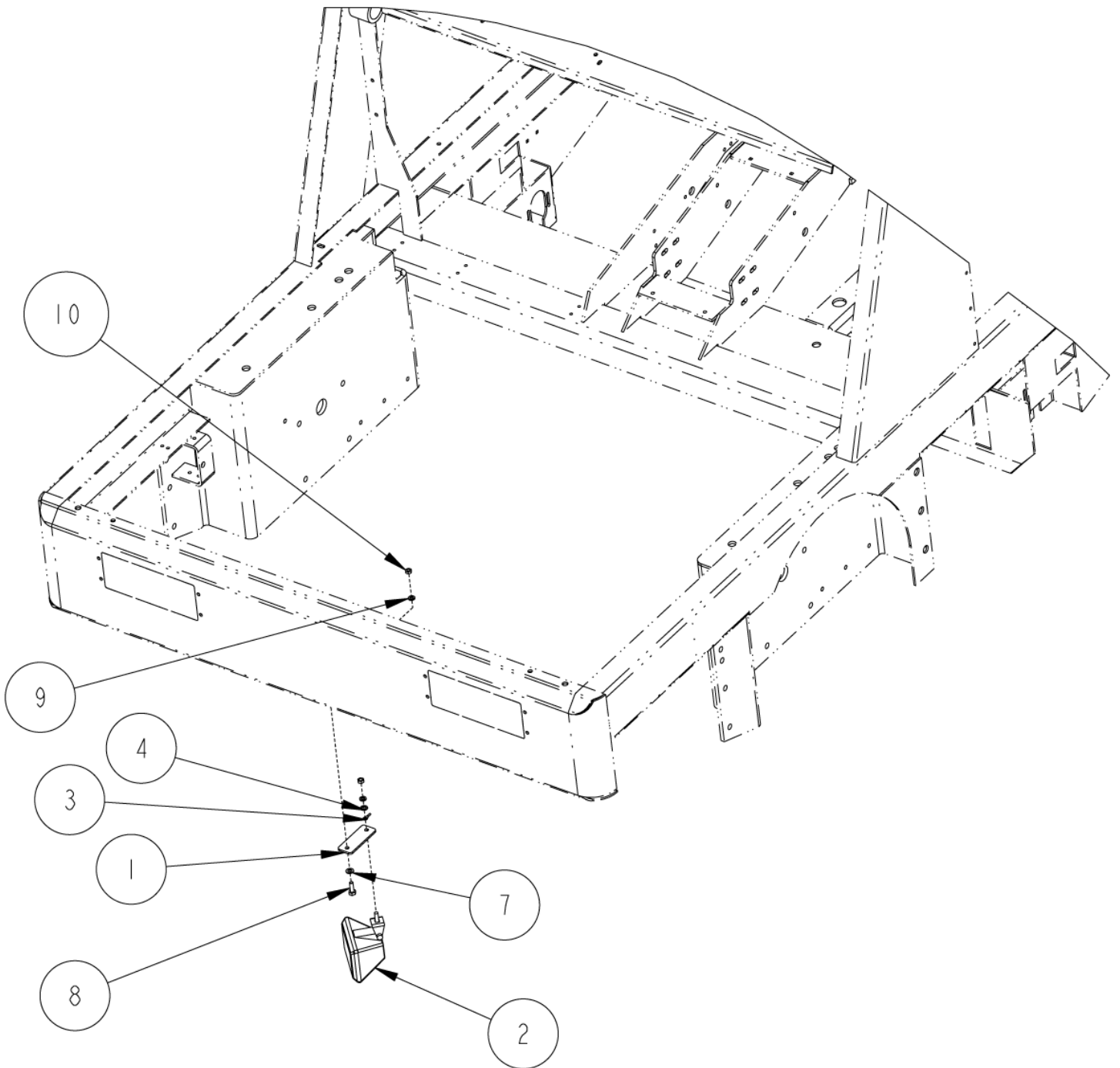
Curb Light Option

3366 after Serial No. 586065

28-01-2013

Part List ID
336658606517

23



Curb Light Option

3366 after Serial No. 586065

28-01-2013

Part List ID
33665860651/

24

Pos	Part no.	Qty	Description
1	7-08-01286	1	COVER LIGHT
2	8-40-05049	1	LIGHT
3	2-00-04282	1	RING TERMINAL INSULATED
4	2-00-02303	1	LK WASH INT TOOTH ZINC PL
5	2-00-04578	1	TERMINAL BULLET MALE
6	8-90-07358	1	WIRE GROUND FOR LIGHTS
7	2-00-00409	1	WSHR FLAT.688X.344X.063 STL
8	2-00-02708	1	SCW HHM .313 18 X 1.00 GR 5 ZN
9	2-00-00530	1	LK WASH 5/16 MED SEC SPL ZN
10	2-00-00585	1	NUT HEX FIN .31 18 ZN

HEADLIGHTS REQUIRED TO ACCOMPANY THIS OPTION

Ersatzteile auf www.gluesing.net

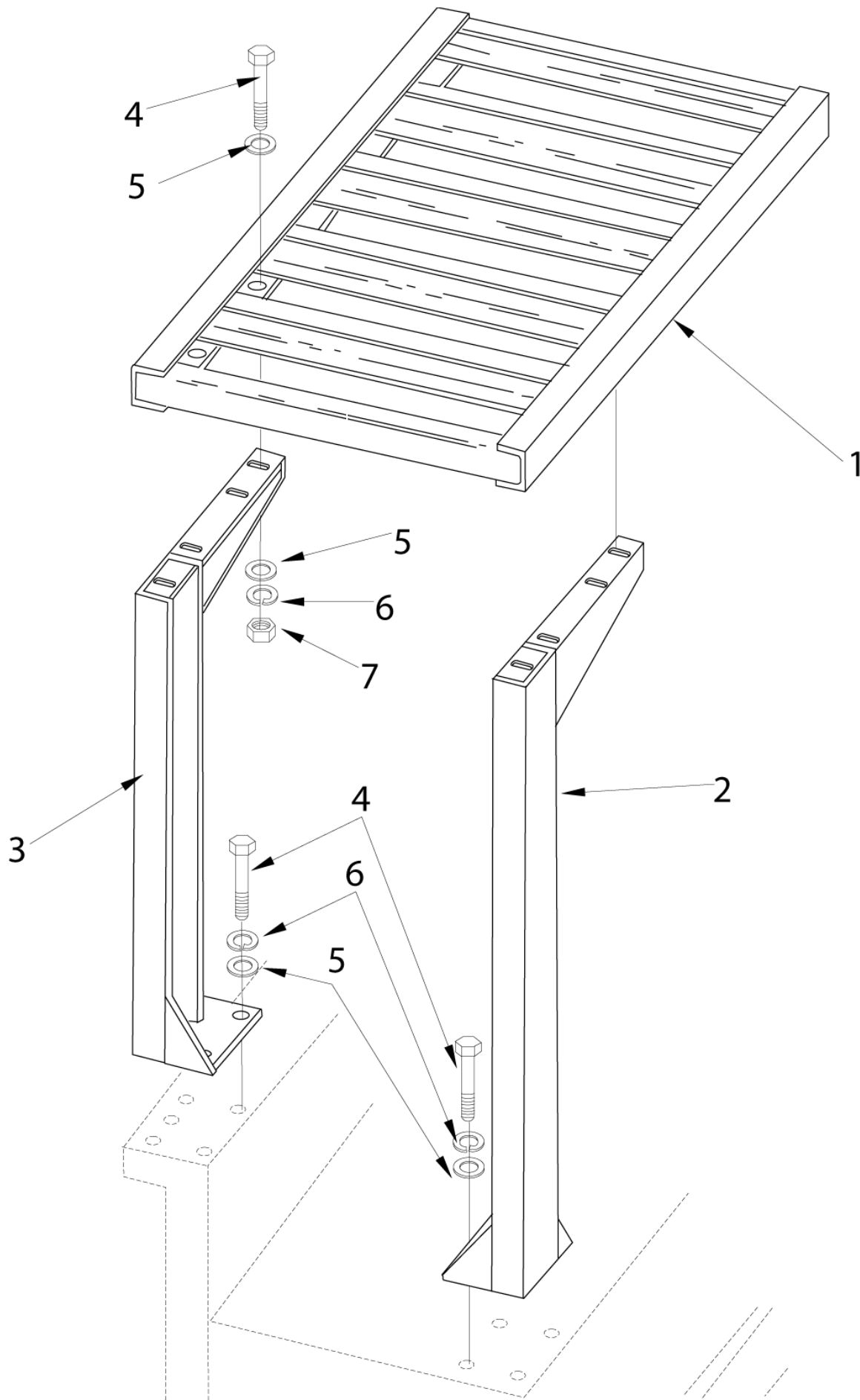
Overhead Guard Option

3366 after Serial No. 586065

28-01-2013

Part List ID
336658606519

25



Overhead Guard Option

3366 after Serial No. 586065

28-01-2013

Part List ID
336658606519

26

Pos	Part no.	Qty	Description
1	7-30-05086	1	OHG WELDMENT
2	8-30-05131	1	WLDMT GUARD UPRIGHT R.H.
3	8-30-05130	1	WLDMT GUARD UPRIGHT L.H.
4	2-00-00240	16	SCW HHC .50 13 X 1.25 GR 5 ZN
5	2-00-00420	4	WSHR FLT 1.0X.51X.063 ZN
6	2-00-02312	16	LK WASHER 1/2 ID MED SEC ZN
7	2-00-00596	8	NUT FULL HEX FIN .50 13 ZN

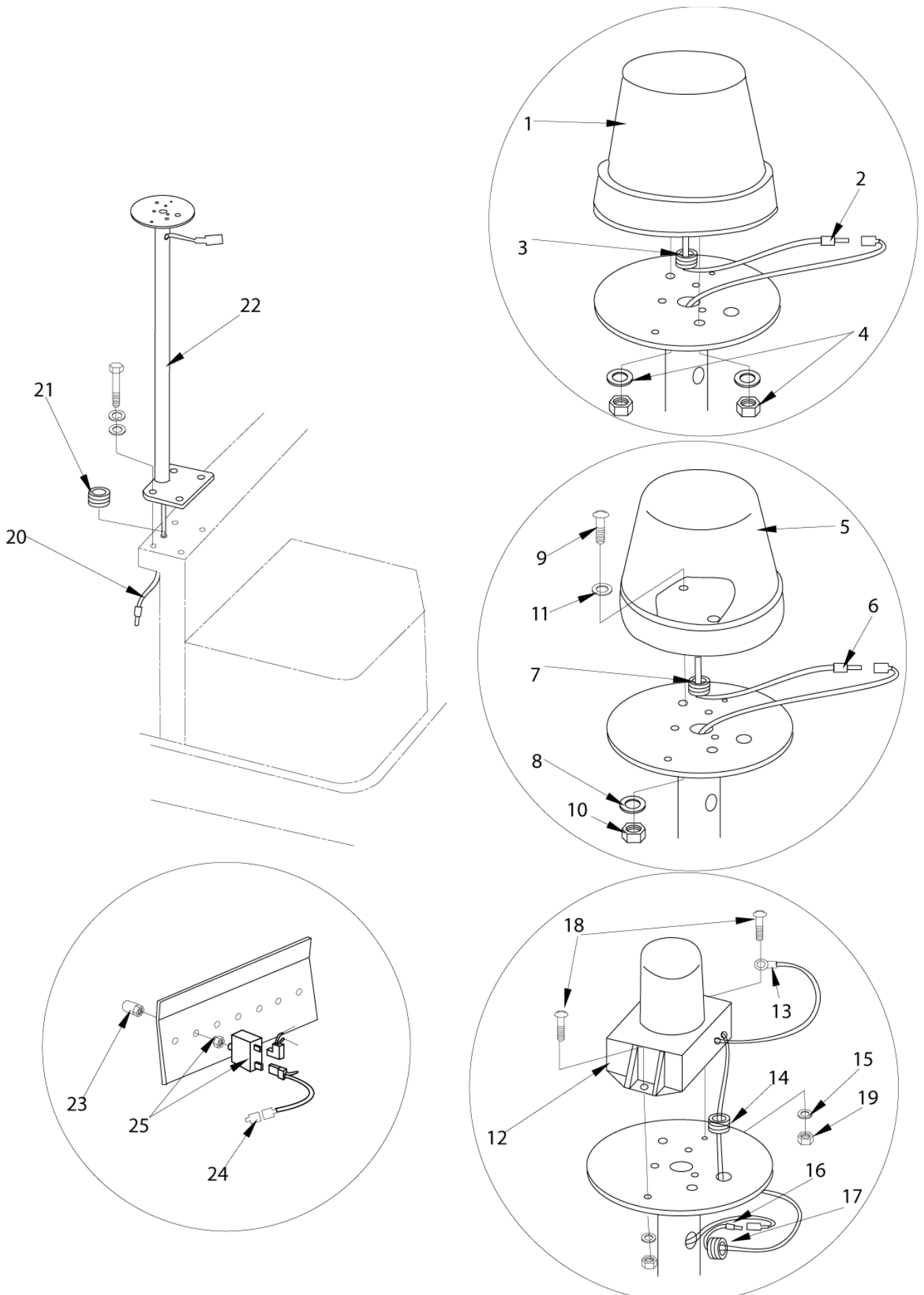
Warning Light Optiond without Overhead Gua

3366 after Serial No. 586065

28-01-2013

Part List ID
336658606521

27



Ersatzteile auf www.gluesing.net

Warning Light Optiond without Overhead Gua

3366 after Serial No. 586065

28-01-2013

Part List ID
336658606521

28

Pos	Part no.	Qty	Description	
1	8-40-05039	1	LIGHT 360 DEG AMBER ROTATING	ROTATING LIGHT - OPTION 0880-406-1
2	2-00-04578	1	TERMINAL BULLET MALE	ROTATING LIGHT - OPTION 0880-406-1
3	2-00-00491	1	GROMMET RUB .75 .375	ROTATING LIGHT - OPTION 0880-406-1
4	2-00-00512	1	LK WASH INT TH 10 ZN	ROTATING LIGHT - OPTION 0880-406-1
5	8-40-05033	1	ASSY LAMP 360dg FLASHING RED	FLASHING LIGHT - OPTION 0880-359-1
5	8-40-05041	1	LIGHT 12v 360 AMBER FLASHING	FLASHING LIGHT - OPTION 0880-359-1
6	2-00-04578	1	TERMINAL BULLET MALE	FLASHING LIGHT - OPTION 0880-359-1
7	2-00-00491	1	GROMMET RUB .75 .375	FLASHING LIGHT - OPTION 0880-359-1
8	2-00-00512	2	LK WASH INT TH 10 ZN	FLASHING LIGHT - OPTION 0880-359-1
9	2-00-04897	2	SCREW THM 10 24 X 1.25 ZN	FLASHING LIGHT - OPTION 0880-359-1
10	2-00-00605	2	NUT HEX MAC SCR 10 24 STL/ZN	FLASHING LIGHT - OPTION 0880-359-1
11	2-00-00426	2	WSHR FL .500X.219X.063 STL.ZN	FLASHING LIGHT - OPTION 0880-359-1
12	8-40-05036	1	LIGHT STROBE 12v AMBER	STROBE LIGHT - OPTION 0880-407-1
13	2-00-00838	1	TERM STAKON T+B B 87 TYPE 1	STROBE LIGHT - OPTION 0880-407-1
14	2-00-00491	1	GROMMET RUB .75 .375	STROBE LIGHT - OPTION 0880-407-1
15	2-00-00512	2	LK WASH INT TH 10 ZN	STROBE LIGHT - OPTION 0880-407-1
16	2-00-04578	1	TERMINAL BULLET MALE	STROBE LIGHT - OPTION 0880-407-1
17	2-00-04341	1	GROM ATLANTIC INDIA 2858	STROBE LIGHT - OPTION 0880-407-1
18	2-00-03063	2	SCREW THM 10 24 X .75 ZN	STROBE LIGHT - OPTION 0880-407-1
19	2-00-00605	2	NUT HEX MAC SCR 10 24 STL/ZN	STROBE LIGHT - OPTION 0880-407-1
20	8-90-07362	1	WIRE ASSY LIGHT TO HARNESS	LIGHT SUPPORT
21	2-00-00491	1	GROMMET RUB .75 .375	LIGHT SUPPORT
22	8-81-00145	1	WARNING LIGHT SUPPORT WLDMT	LIGHT SUPPORT
23	8-11-00044	1	BOOT	INSTRUMENT PANEL
24	8-11-00015	1	SPADE TERMINAL MALE	INSTRUMENT PANEL
25	8-64-00008	1	CIRCUIT BREAKER 15 AMP	INSTRUMENT PANEL

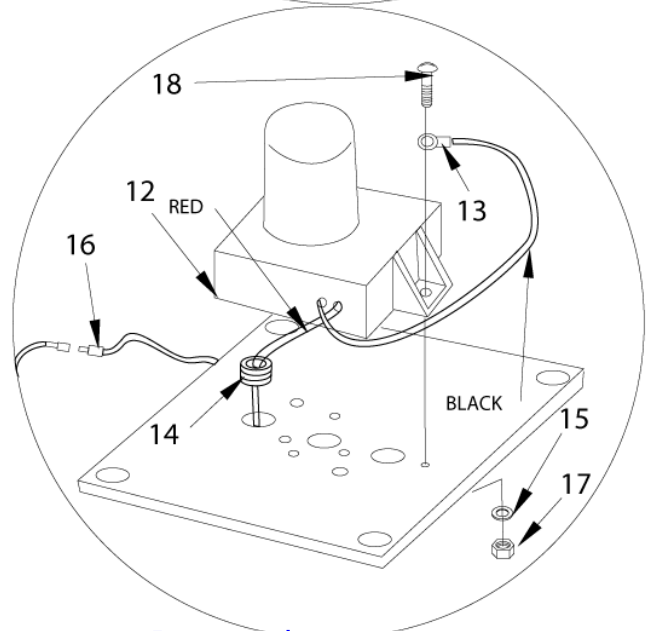
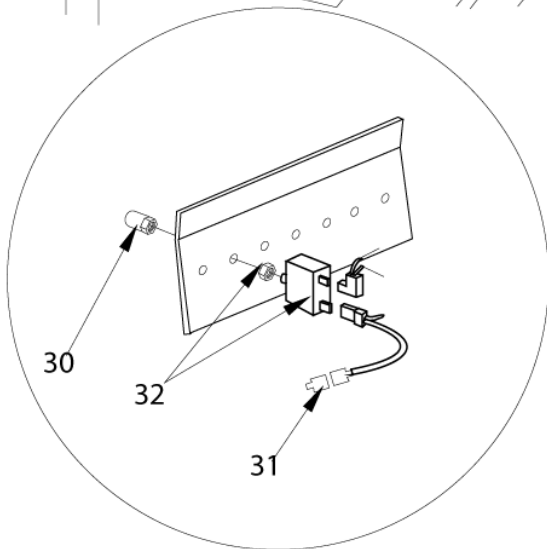
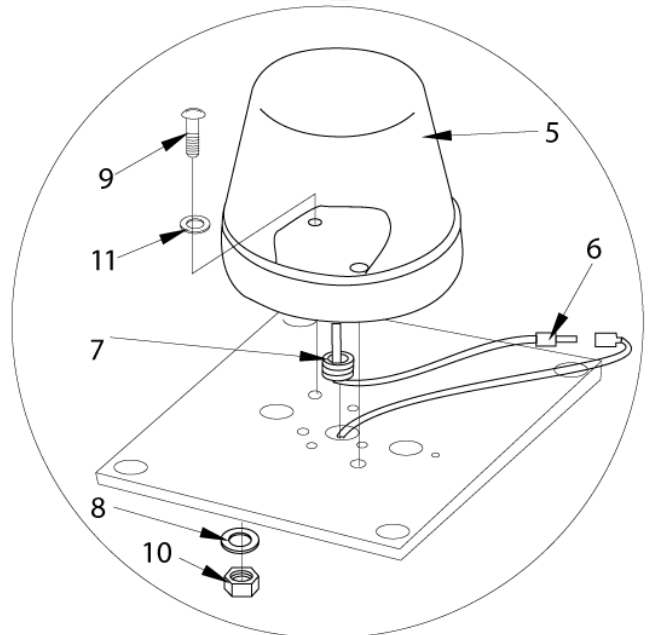
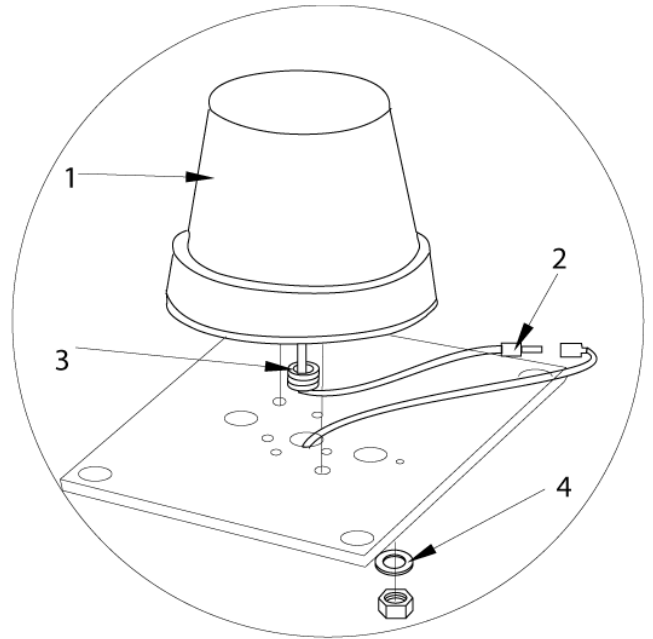
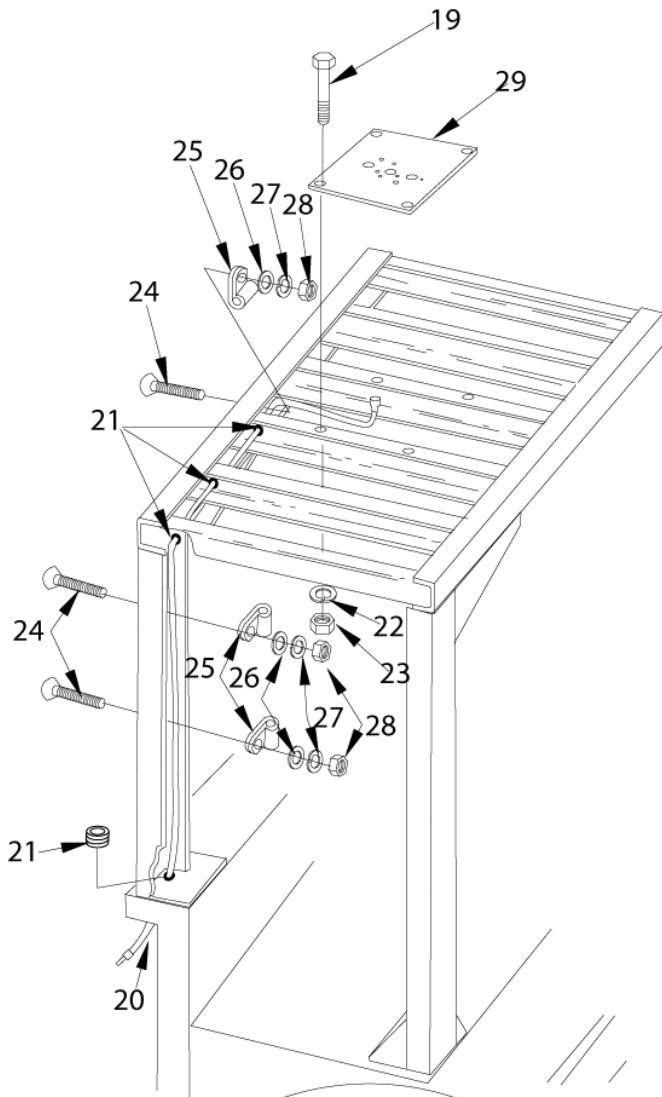
Warning Light Options with Overhead Guard

3366 after Serial No. 586065

28-01-2013

Part List ID
336658606523

29



Ersatzteile auf www.gluesing.net

Warning Light Options with Overhead Guard

3366 after Serial No. 586065

28-01-2013

Part List ID
3366586065Z3

30

Pos	Part no.	Qty	Description	
1	8-40-05039	1	LIGHT 360 DEG AMBER ROTATING	ROTATING LIGHT - OPTION 0880-408-1
2	2-00-04578	1	TERMINAL BULLET MALE	ROTATING LIGHT - OPTION 0880-408-1
3	2-00-00491	1	GROMMET RUB .75 .375	ROTATING LIGHT - OPTION 0880-408-1
4	2-00-00512	1	LK WASH INT TH 10 ZN	ROTATING LIGHT - OPTION 0880-408-1
5	8-40-05041	1	LIGHT 12v 360 AMBER FLASHING	FLASHING LIGHT - OPTION 0880-360-1
6	2-00-04578	1	TERMINAL BULLET MALE	FLASHING LIGHT - OPTION 0880-360-1
7	2-00-00491	1	GROMMET RUB .75 .375	FLASHING LIGHT - OPTION 0880-360-1
8	2-00-00512	2	LK WASH INT TH 10 ZN	FLASHING LIGHT - OPTION 0880-360-1
9	2-00-04897	2	SCREW THM 10 24 X 1.25 ZN	FLASHING LIGHT - OPTION 0880-360-1
10	2-00-00605	2	NUT HEX MAC SCR 10 24 STL/ZN	FLASHING LIGHT - OPTION 0880-360-1
11	2-00-00426	2	WSHR FL .500X.219X.063 STL.ZN	FLASHING LIGHT - OPTION 0880-360-1
12	8-40-05036	1	LIGHT STROBE 12v AMBER	STROBE LIGHT - OPTION 0880-409-1
13	2-00-00838	1	TERM STAKON T+B B 87 TYPE 1	STROBE LIGHT - OPTION 0880-409-1
14	2-00-00491	1	GROMMET RUB .75 .375	STROBE LIGHT - OPTION 0880-409-1
15	2-00-00512	2	LK WASH INT TH 10 ZN	STROBE LIGHT - OPTION 0880-409-1
16	2-00-04578	1	TERMINAL BULLET MALE	STROBE LIGHT - OPTION 0880-409-1
17	2-00-00605	1	NUT HEX MAC SCR 10 24 STL/ZN	STROBE LIGHT - OPTION 0880-409-1
18	2-00-03063	2	SCREW THM 10 24 X .75 ZN	STROBE LIGHT - OPTION 0880-409-1
19	2-00-00221	4	SCW HHC .25 20 X .75 GR 8 ZN	GUARD WIRE & SUPPORT ASSEMBLY
20	8-90-07363	1	WIRE ASSY WARNING LIGHT	GUARD WIRE & SUPPORT ASSEMBLY
21	2-00-00491	1	GROMMET RUB .75 .375	GUARD WIRE & SUPPORT ASSEMBLY
22	2-00-00518	4	LK WASH 1/4 MED. SECTION ZN	GUARD WIRE & SUPPORT ASSEMBLY
23	2-00-00594	4	NUT HEX STD FIN .25 20 ZN	GUARD WIRE & SUPPORT ASSEMBLY
24	2-00-03063	3	SCREW THM 10 24 X .75 ZN	GUARD WIRE & SUPPORT ASSEMBLY
25	56055207	3	CLAMP LOOP E00129	GUARD WIRE & SUPPORT ASSEMBLY
26	2-00-00426	3	WSHR FL .500X.219X.063 STL.ZN	GUARD WIRE & SUPPORT ASSEMBLY
27	2-00-00512	3	LK WASH INT TH 10 ZN	GUARD WIRE & SUPPORT ASSEMBLY
28	2-00-00605	3	NUT HEX MAC SCR 10 24 STL/ZN	GUARD WIRE & SUPPORT ASSEMBLY
29	8-58-05228	1	PLATE FLASHER MOUNTING	GUARD WIRE & SUPPORT ASSEMBLY
30	8-11-00044	1	BOOT	INSTRUMENT PANEL
31	8-11-00015	1	SPADE TERMINAL MALE	INSTRUMENT PANEL
32	8-64-00008	1	CIRCUIT BREAKER 15 AMP	INSTRUMENT PANEL

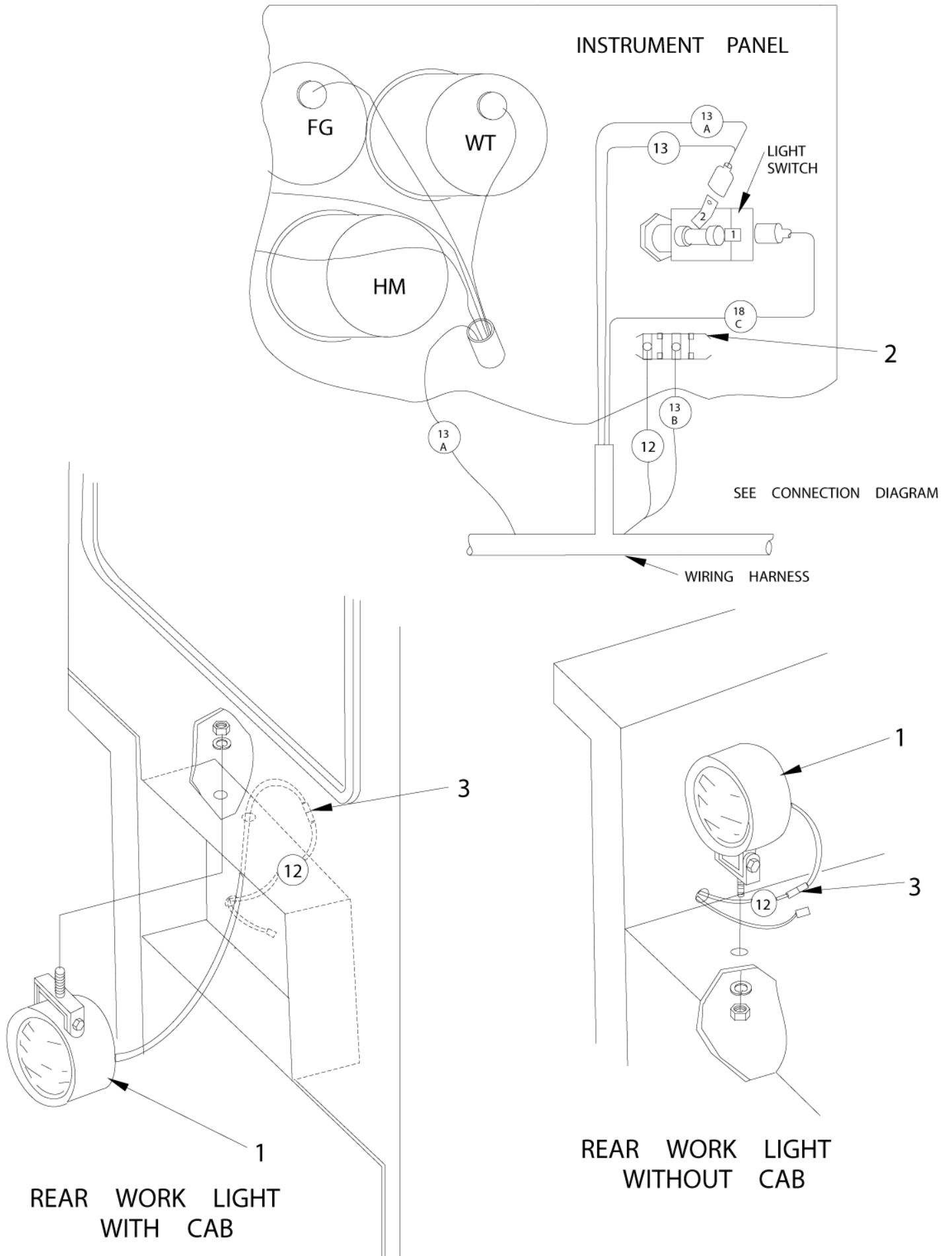
Rear Work Light Option

3366 after Serial No. 586065

28-01-2013

Part List ID
336658606525

31



Rear Work Light Option

3366 after Serial No. 586065

28-01-2013

Part List ID
3366586065z5

32

Pos	Part no.	Qty	Description
1	8-40-05049	1	LIGHT
2	8-82-00044	1	SWITCH SPST ON OFF
3	2-00-04578	1	TERMINAL BULLET MALE

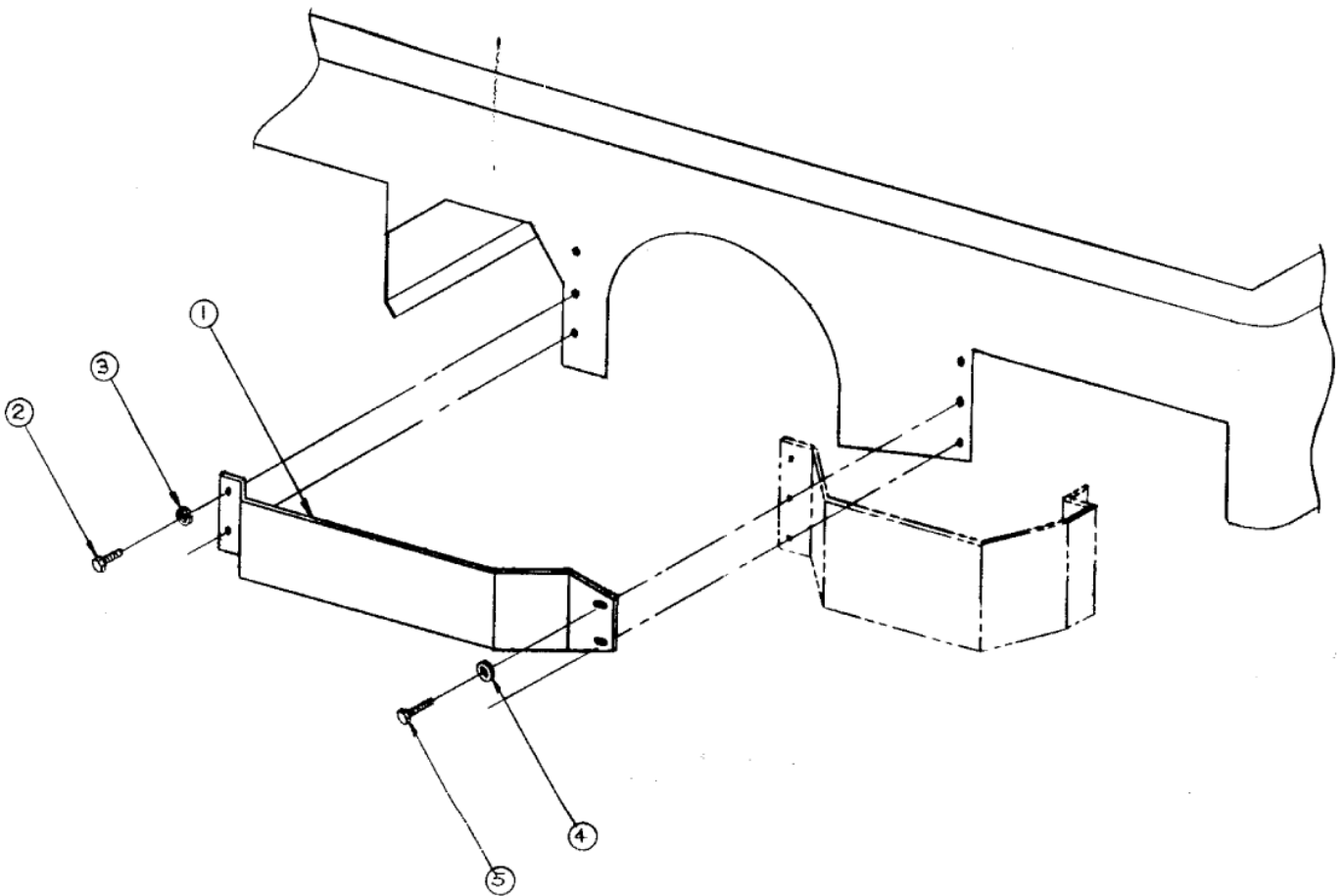
Front Wheel Guards Option

3366 after Serial No. 586065

28-01-2013

Part List ID
336658606526

33



Front Wheel Guards Option

3366 after Serial No. 586065

28-01-2013

Part List ID
336658606526

34

Pos	Part no.	Qty	Description
1	8-30-05146	2	GUARD FRONT WHEEL
2	2-00-00240	4	SCW HHC .50 13 X 1.25 GR 5 ZN
3	2-00-02312	4	LK WASHER 1/2 ID MED SEC ZN
4	2-00-04159	4	WSHR FL 1.375X.563X.109 STL.ZN
6	2-00-00241	4	SCREW HHC.50 13 X 1.75 GR5 ZN

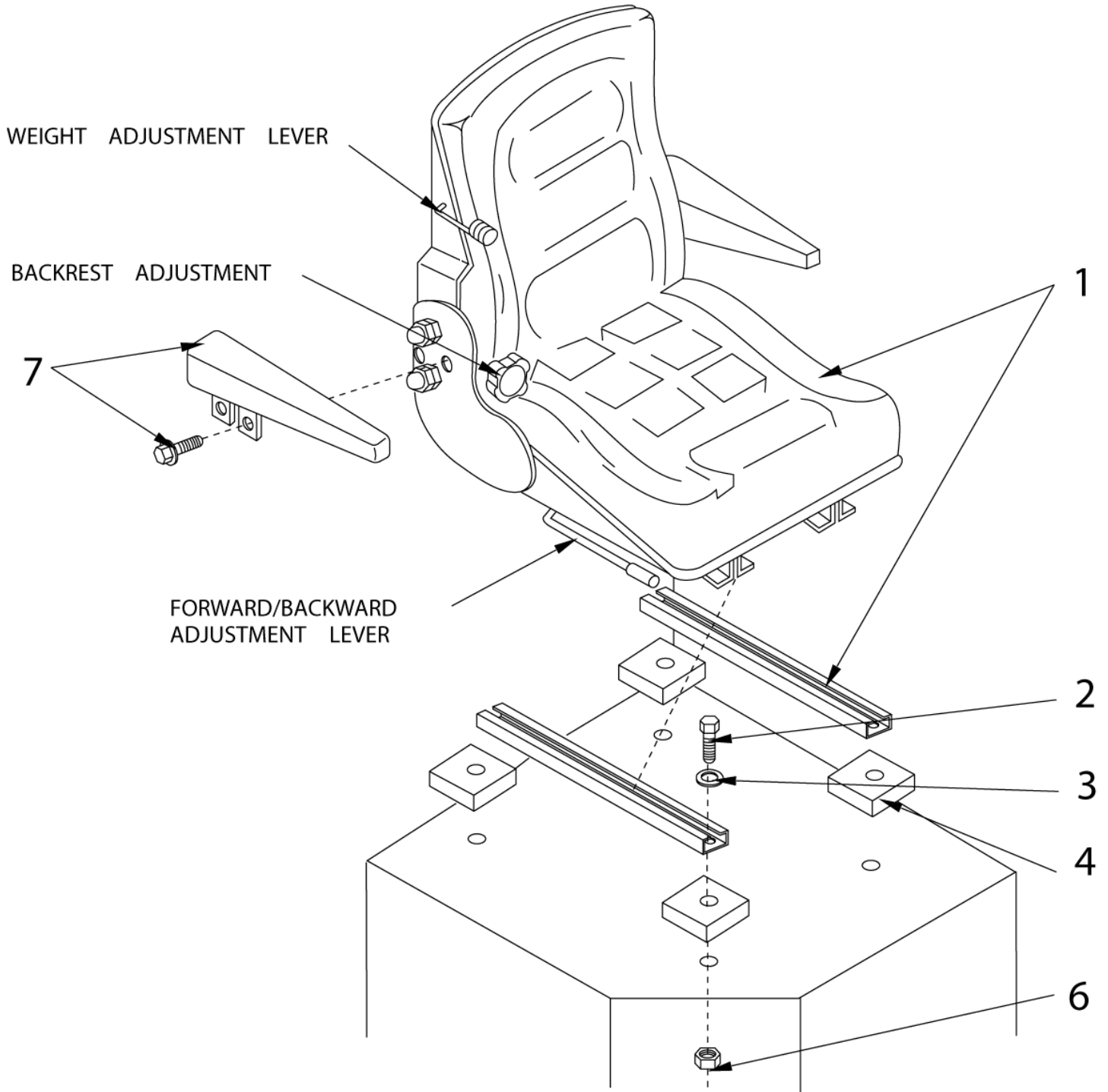
Suspension Seat Option

3366 after Serial No. 586065

28-01-2013

Part List ID
336658606527

35



Suspension Seat Option

3366 after Serial No. 586065

28-01-2013

Part List ID
3366586065Z/

36

Pos	Part no.	Qty	Description
1	8-69-00019	1	SEAT SUSPENSION MICHIGAN OPT
2	2-00-00225	4	SCW HHC .313 18 X 1.50 GR5 ZN
3	2-00-00409	4	WSHR FLAT.688X.344X.063 STL
4	8-71-00016	4	SHIM SEAT SUPPORT SE
6	2-00-00585	4	NUT HEX FIN .31 18 ZN
7	8-03-04320	1	ARM RESTS LH RH FOR 8 69 00019 INCLUDES BOTH ARMRESTS

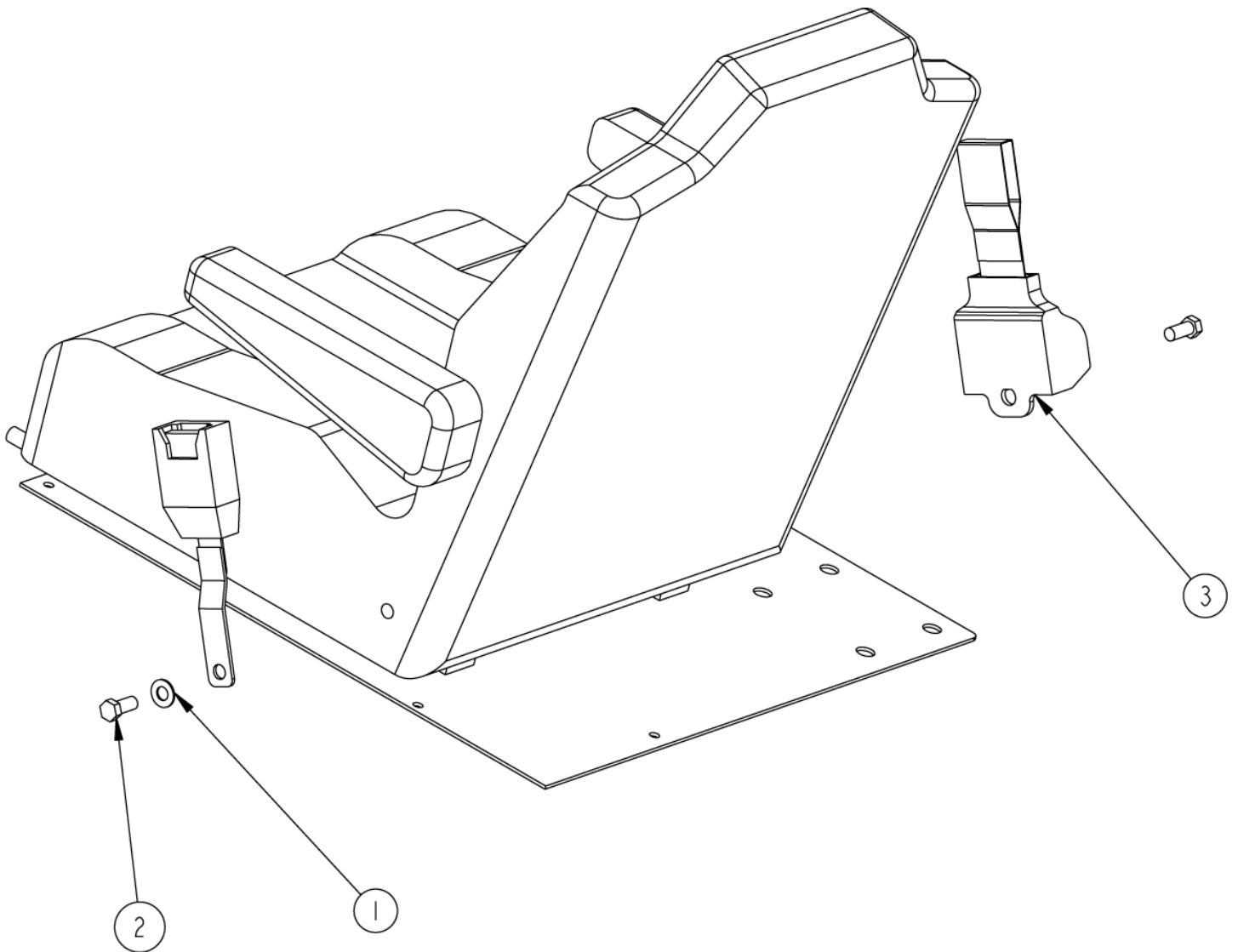
Retractable Seat Belt Option

3366 after Serial No. 586065

28-01-2013

Part List ID
336658606528

37



Retractable Seat Belt Option

3366 after Serial No. 586065

28-01-2013

Part List ID
336658606528

38

Pos	Part no.	Qty	Description
1	2-00-00415	1	WSHR FLAT.938X.469X.063 STL ZN
2	2-00-03334	2	SCREW HHC .438 20X1.00

Timed Filter Shaker Motors Option

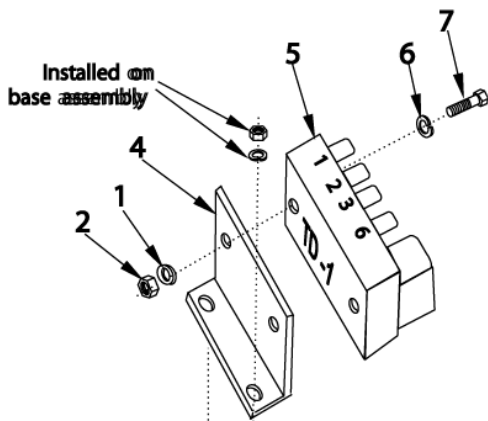
3366 after Serial No. 586065

28-01-2013

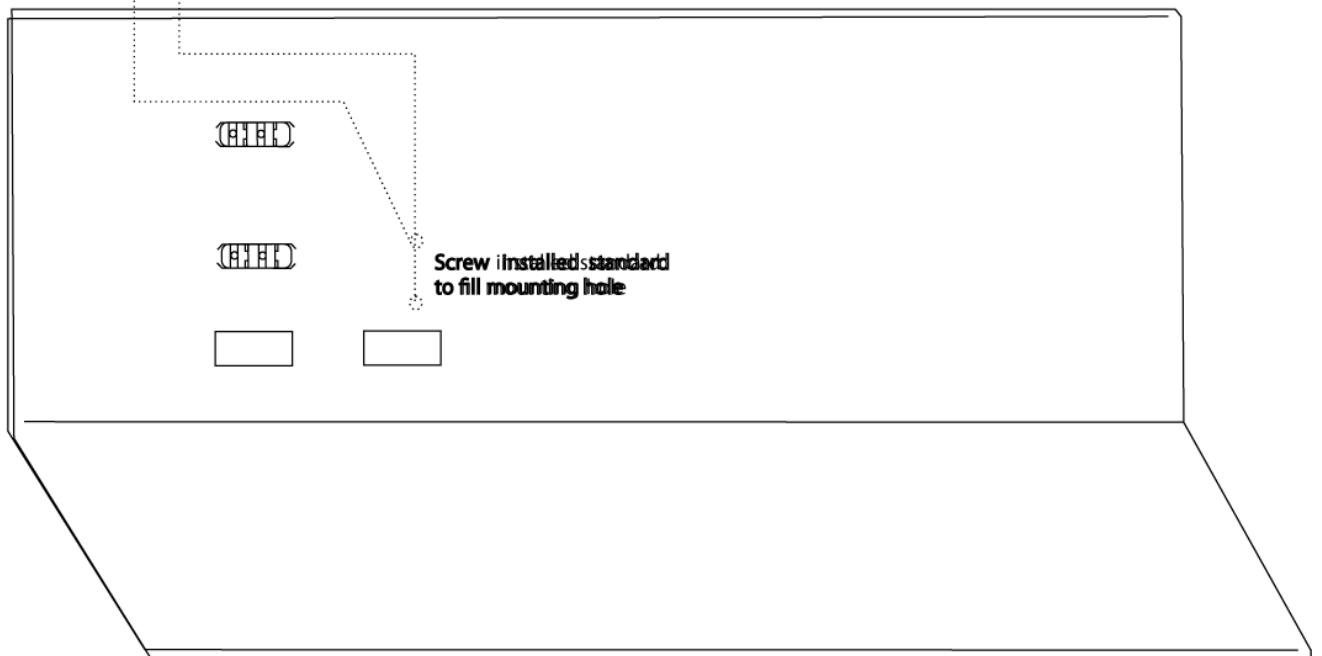
Part List ID
336658606529

39

Timed filter shaker (Option only)



Refer to instrument panel connection diagram for assembly instructions.
(Wires existing in standard assembly)



Timed Filter Shaker Motors Option

3366 after Serial No. 586065

28-01-2013

Part List ID
336658606529

40

Pos	Part no.	Qty	Description
1	2-00-01499	2	LK WASH HELICAL SPR 6SCR MED.
2	2-00-00605	2	NUT HEX MAC SCR 10 24 STL/ZN
3	2-00-00519	2	LK WASH 10 MED SEC ZN
4	56516763	1	BRACKET RELAY
5	8-64-05011	1	RELAY 20-SECOND DELAY
6	2-00-00455	2	WSHR FLAT .375X 156X.047 STL.
7	2-00-00067	2	SCREW PH.RHM 6 32 X 1.00

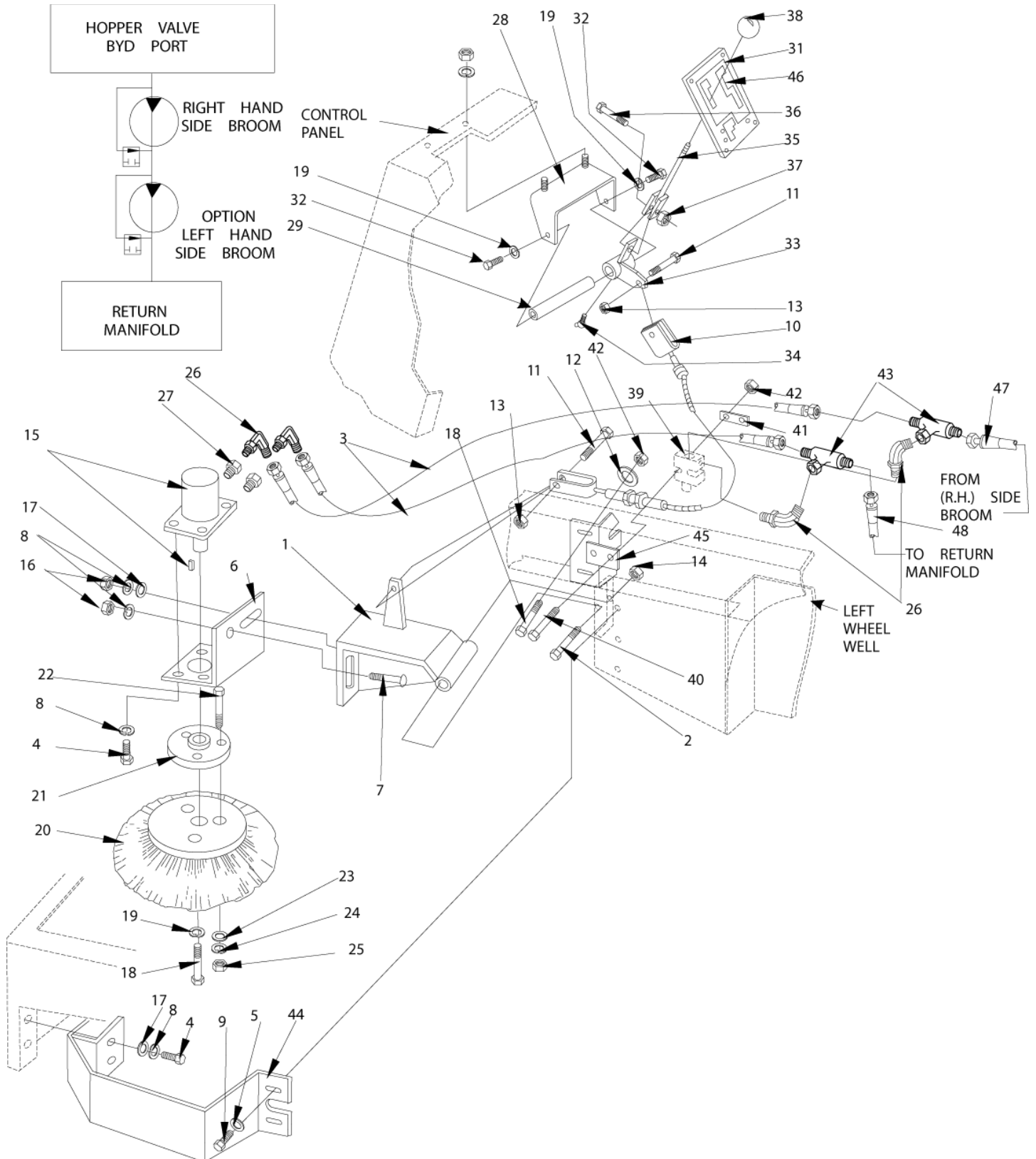
Left Side Broom Option

3366 after Serial No. 586065

28-01-2013

Part List ID
336658606531

41



Left Side Broom Option

3366 after Serial No. 586065

28-01-2013

Part List ID
336658606531

42

Pos	Part no.	Qty	Description
1	8-03-04284	1	WELDMENT SIDE BROOM ARM LHSE
2	2-00-04914	1	SCREW HHC .50 13 X 4.50 GR5 ZN
3	8-33-02181	2	HOSE HYD ORS4 STR ENDS 18
4	2-00-00233	8	SCREW HHC .375 16 X 1.00 GR ZN
5	2-00-04159	5	WSHR FL 1.375X.563X.109 STL.ZN
6	8-08-00740	1	BRACKET SIDE BROOM ARM LHSE
7	2-00-05187	2	BOLT CARR.38 16 X 1.25 GR 5 ZN
8	2-00-02310	10	LK WASH HELICAL SPR ZN
9	2-00-01254	4	SCW HHC .50 13 X 1.50 gr 5 zn
10	8-10-00030	1	CABLE LEFT HAND SIDE BROOM
11	2-00-02708	2	SCW HHM .313 18 X 1.00 GR 5 ZN
12	2-00-00407	3	WSHR FLAT .563X.266X.063 STL.
13	2-00-00644	2	NUT INS FIBRE .31 18 ZN PL
14	2-00-04936	2	NUT INS FIBRE .50 13 ZINC
15	0882-047	1	MOTOR HYD.SIDE BROOM 2.2 CIR
15	2-00-00722	1	KEY WOODRUFF 1/4 X 1
16	2-00-00584	2	NUT HEX FIN .38 24
17	2-00-04801	3	WSHR FLAT .875X.380X.120TH ZN
18	2-00-01490	4	SCW HHC .25 20 X .875 GR5 ZN
19	2-00-00518	1	LK WASH 1/4 MED. SECTION ZN
20	8-08-03211	1	NYLON SIDE BROOM
21	8-25-06008	1	FLANGE CURB BROOM
22	2-00-00211	3	SCW HHC .313 18 X 1.75 GR 5 ZN
23	2-00-00409	3	WSHR FLAT.688X.344X.063 STL
24	2-00-00530	3	LK WASH 5/16 MED SEC SPL ZN
25	2-00-00585	3	NUT HEX FIN .31 18 ZN
26	2-00-04926	4	FITTING 90 SAE6 TO ORS4
27	2-00-04915	2	FITTING REDUCER SAE10 TO SAE6
28	8-08-00646	1	BRACKET SIDE BROOM WELDMENT
29	8-70-05285	1	SHAFT SIDE BROOM PIVOT
30	2-00-00221	1	SCW HHC .25 20 X .75 GR 8 ZN
31	56516827	1	FACE PLATE MB CONTROL THROTTLE
32	2-00-00221	1	SCW HHC .25 20 X .75 GR 8 ZN
33	8-57-05021	1	PIVOT SIDE BROOM WELDMENT
34	2-00-02558	1	FTG GRS ALEMITE 1688 B .125
35	8-16-00034	1	WLDMT BROOM LIFT LEVER
36	2-00-00234	1	SCW HHC .375 16 X 1.50 GR5 ZN
37	2-95-04182	1	NUT EL.STOP 3/8 16 ZN PL
38	8-39-00002	3	KNOB CONT SMALL
39	0891-008	1	VALVE MANUAL RELEASE
40	2-00-00199	2	BOLT CARRIAGE .25 20 X 1.75
41	8-08-00590	1	BRACKET SIDE BROOM VALVE MTG
42	2-00-00641	5	NUT INS FIBRE .25 20 ZN PL

Left Side Broom Option

3366 after Serial No. 586065

28-01-2013

Part List ID
336658606531

43

Pos	Part no.	Qty	Description
43	2-00-04940	2	FITTING SWVL BRANCH TEE 40RS
45	8-08-00716	1	CABLE VALVE MNT LEFT /SE
47	7-33-02181	1	HOSE HYD ORS 4 STR ENDS 160
48	8-33-02187	1	HOSE HYD ORS4 STR ENDS 107
49	8-08-00739	1	BRACKET SIDE BROOM ARM LH/SE
50	8-08-00759	1	BRACKET LH SIDE BROOM MOUNT/SE

Dual Vacuumized Side Brooms Option

3366 after Serial No. 586065

28-01-2013

Part List ID
336658606533

45

Pos	Part no.	Qty	Description
2	2-00-00209	3	SCW HHC.375 16 X 1.25 GR 5 ZN
3	2-00-02310	3	LK WASH HELICAL SPR ZN
4	2-00-00402	4	WSHR FL..750X391X.093 STL ZN
5	2-00-00518	22	LK WASH 1/4 MED. SECTION ZN
6	2-00-00221	16	SCW HHC .25 20 X .75 GR 8 ZN
7	8-25-08164	1	FLAP VAC SID BROOM
8	8-08-00662	6	BRKT VACUUMIZED SIDE BROOM
9	2-00-00594	10	NUT HEX STD FIN .25 20 ZN
10	2-00-00407	7	WSHR FLAT .563X.266X.063 STL.
11	8-25-08165	1	FLAP VACUUMIZED SIDE BROOM
12	8-25-08163	1	FLAP VAC SIDE BROOM
13	8-03-02041	1	WELDMENT VACUUM TUBEBOTTOMSE
14	2-00-03575	6	BOLT CARR..25 20 X .75 GR5 ZN
15	2-00-02360	1	NUT HEX FIN .38 16 ZINC PL
17	8-03-02042	1	WELDMENT VACUUM TUBE TOPSE
18	2-00-02217	2	CLAMP HOSE HS 40
19	7-33-02234	1	HOSE TANK OUTLET
20	2-00-00596	2	NUT FULL HEX FIN .50 13 ZN
21	2-00-00241	2	SCREW HHC.50 13 X 1.75 GR5 ZN
22	2-00-04159	2	WSHR FL 1.375X.563X.109 STL.ZN
23	2-00-02312	2	LK WASHER 1/2 ID MED SEC ZN

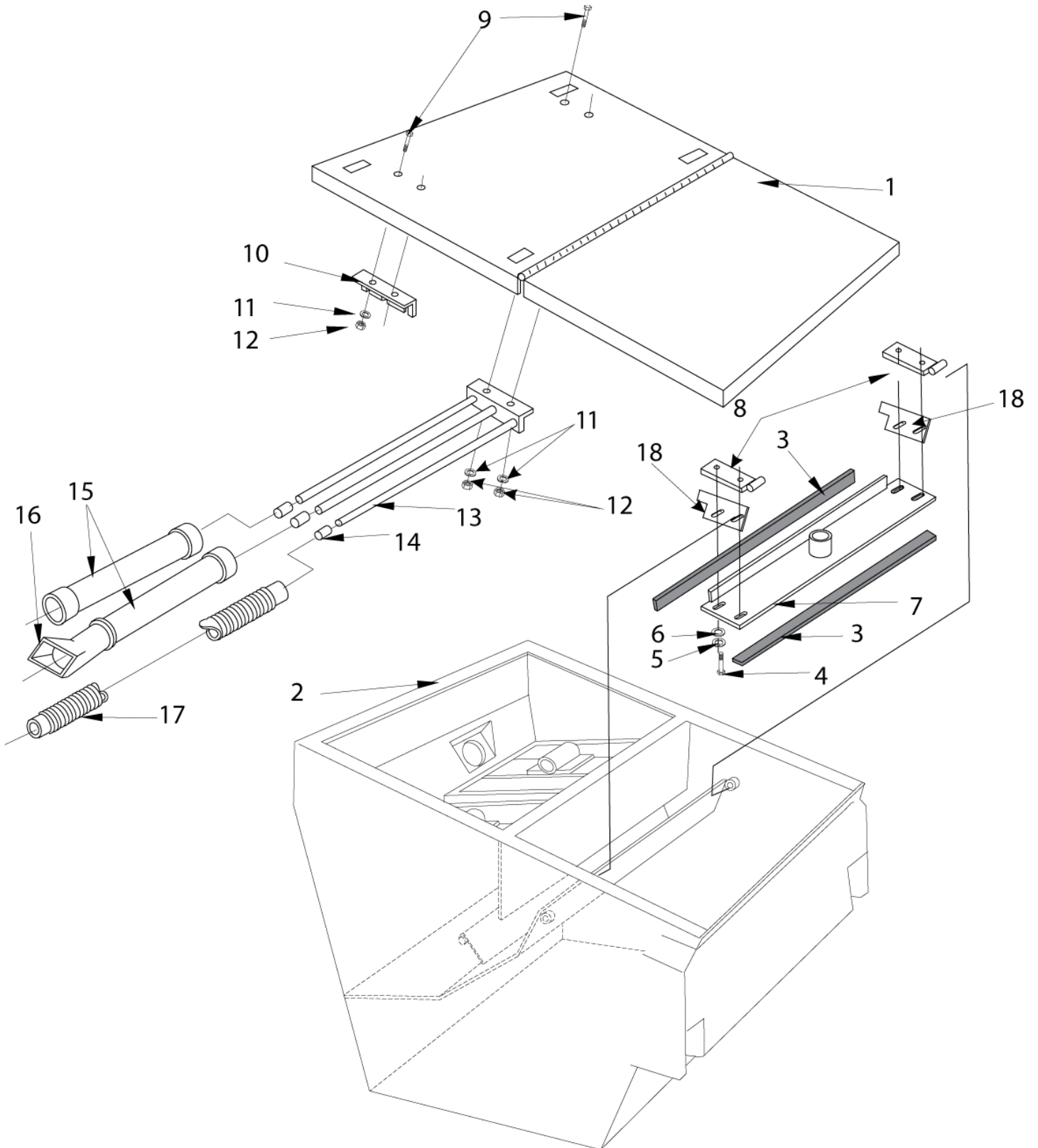
Vacuum Wand Option

3366 after Serial No. 586065

28-01-2013

Part List ID
336658606535

46



Vacuum Wand Option

3366 after Serial No. 586065

28-01-2013

Part List ID
336658606535

47

Pos	Part no.	Qty	Description
1	8-16-07320	1	COVER WELDMENT
3	8-29-00190	2	GASKET HINGE TO HOPPER
4	2-00-00221	4	SCW HHC .25 20 X .75 GR 8 ZN
5	2-00-00518	4	LK WASH 1/4 MED. SECTION ZN
6	2-00-03702	4	WSHR FL..625X.281X.063 STL.ZN
7	8-58-05239	1	PLATE ADAPTER HAND WAND 3300
8	8-57-05019	2	WLDMT PIVOT
9	2-00-01481	4	SCREW RHM .31 18 X 1.00 SLOTHD
10	8-08-00622	1	BRACKET LATCH
11	2-00-00530	4	LK WASH 5/16 MED SEC SPL ZN
12	2-00-00585	4	NUT HEX FIN .31 18 ZN
13	8-08-00623	1	BRKT VAC WAND HOSE STORAGE
14	8-11-00034	3	CAP FOR MECH. SWITCH
15	8-89-00002	2	WAND
16	8-86-08010	1	FLOOR TOOL
17	8-33-02121	1	HOSE
18	8-25-08183	2	FLAP VAC WAND OPTION

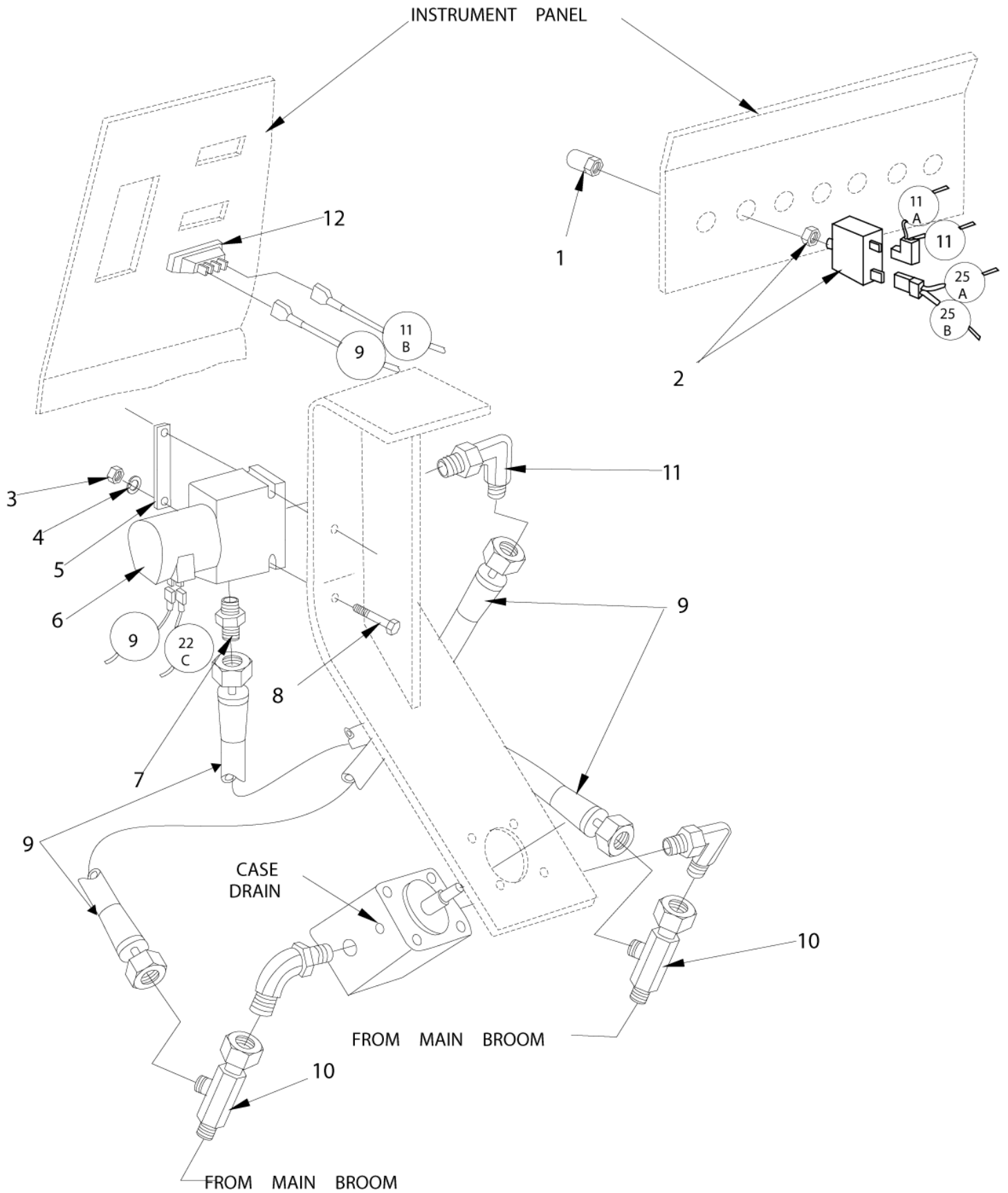
Wet Sweep Bypass Option

3366 after Serial No. 586065

28-01-2013

Part List ID
336658606537

48



Wet Sweep Bypass Option

3366 after Serial No. 586065

28-01-2013

Part List ID
33665860653/

49

Pos	Part no.	Qty	Description
1	8-11-00044	1	BOOT
2	8-64-00008	1	CIRCUIT BREAKER 15 AMP
3	2-00-00594	2	NUT HEX STD FIN .25 20 ZN
4	2-00-00518	2	LK WASH 1/4 MED. SECTION ZN
5	8-08-00590	1	BRACKET SIDE BROOM VALVE MTG
6	7-14-07005	1	COIL
6	8-88-00042	1	VALVE SOLENOID N.C.
7	2-00-04970	1	FITTING HYD STR 8 ORS 8 SAE
8	2-00-02589	2	SCW HHC .25 20 X 2.00 GR5 ZN
9	8-33-02193	2	HOSE HYD ORS8 STR ENDS 18
10	2-00-04928	2	FITTING RUN TEE ORS8MALE TOEML
11	2-00-04885	1	HYD.FITTING SAE TO OR 90 EL
12	8-82-00044	1	SWITCH SPST ON OFF

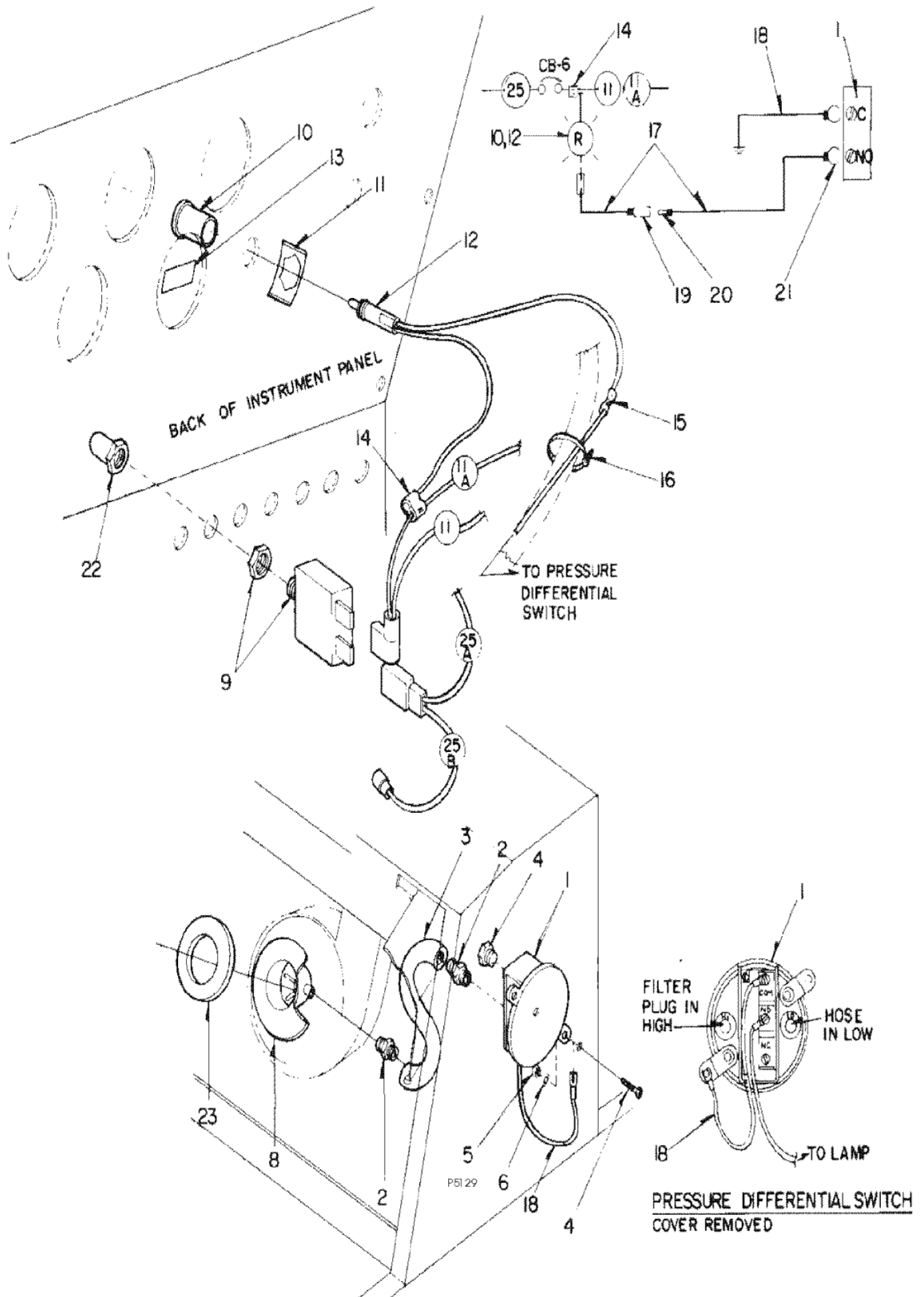
Clogged Filter Indicator Option

3366 after Serial No. 586065

28-01-2013

Part List ID
336658606539

50



Clogged Filter Indicator Option

3366 after Serial No. 586065

28-01-2013

Part List ID
336658606539

51

Pos	Part no.	Qty	Description
1	8-63-05014	1	CLOGGED FILTER SWITCH
2	2-00-04518	2	FITTING
3	7-87-02155	1	TUBE DETERGENT FEED .25X9.0
4	8-24-04075	2	FILTER PLG
5	2-00-04479	2	QUICK CONNECT SPLICE
6	2-00-01128	1	CONN BUTT SPLICE INSULATED
7	2-00-04345	10	TY RAP THOMAS+BETTS TY 28M
8	8-11-00044	1	BOOT
9	8-64-00008	1	CIRCUIT BREAKER 15 AMP
10	56305660	1	LIGHT RED LED INDICATOR
11	2-00-04735	1	SPEED NUT SN461
12	7-40-05027	1	LIGHT ASSEMBLY 14V
14	3-61-00189	1	16GA STRANDED BLK INSUL WIRE 16" wire
16	2-00-04626	2	TERMINAL BULLET FEMALE
17	2-00-04578	1	TERMINAL BULLET MALE
18	3-61-00249	1	16 STRANDED GREEN INSUL 92.50" wire
19	2-00-03261	1	GROM BAT CABLE ATLANTIC INDIA
18A	3-61-00249	1	16 STRANDED GREEN INSUL 20" wire

External Protection Package Option

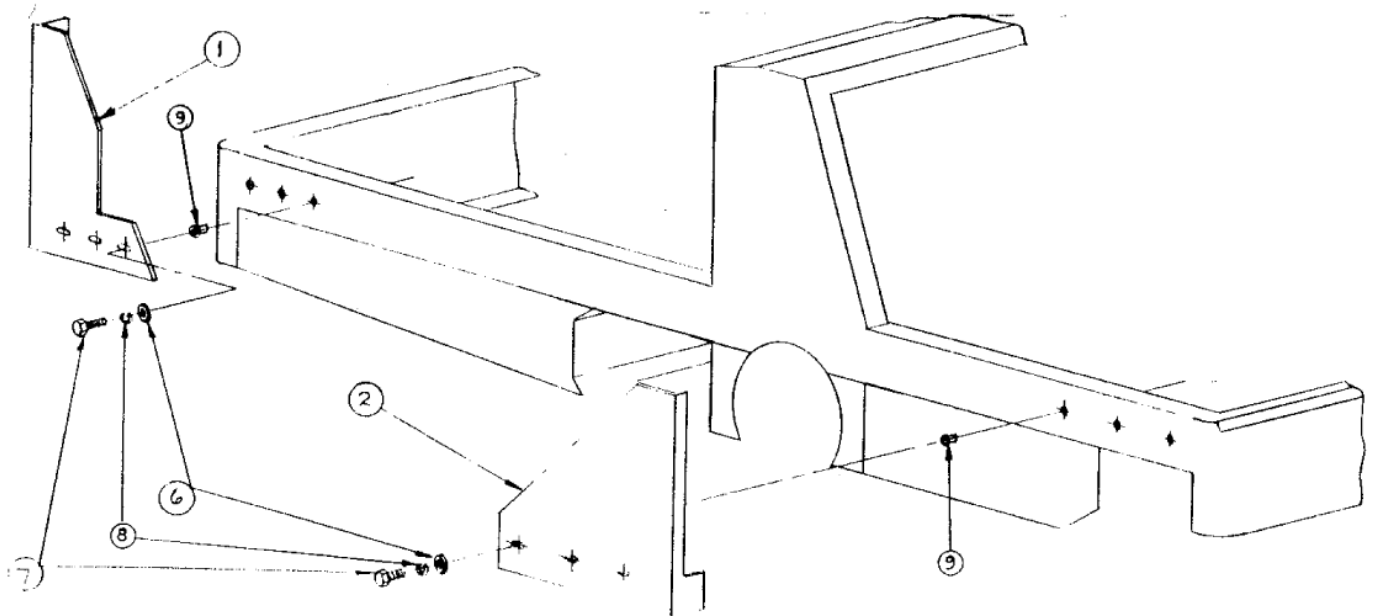
3366 after Serial No. 586065

28-01-2013

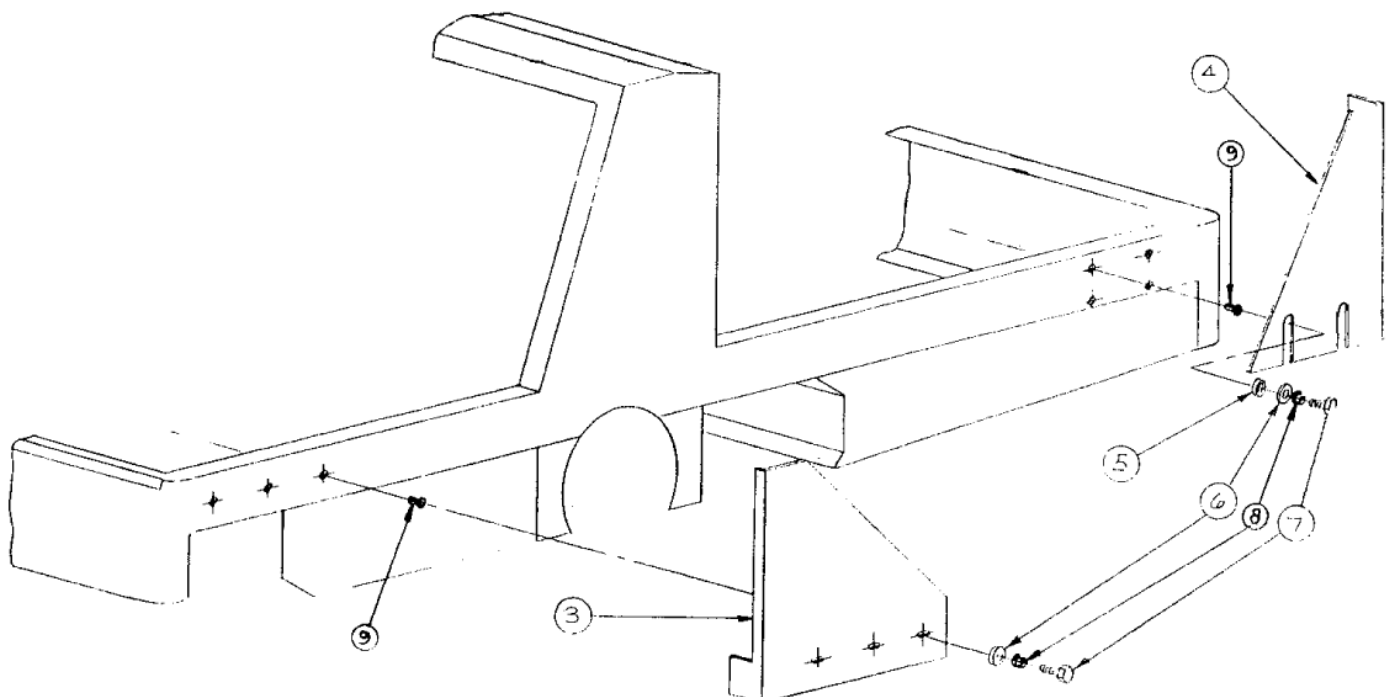
Part List ID
336658606541

52

RIGHT SIDE



LEFT SIDE



External Protection Package Option

3366 after Serial No. 586065

28-01-2013

Part List ID
336658606541

53

Pos	Part no.	Qty	Description
5	8-09-01089	4	BUSHING TOWER BUMPER
6	2-00-03266	13	WSHR FAN MOD 772
7	2-00-00233	13	SCREW HHC .375 16 X 1.00 GR ZN
8	2-00-02310	13	LK WASH HELICAL SPR ZN
9	2-00-05347	13	THREADED INSERT 3/8 16

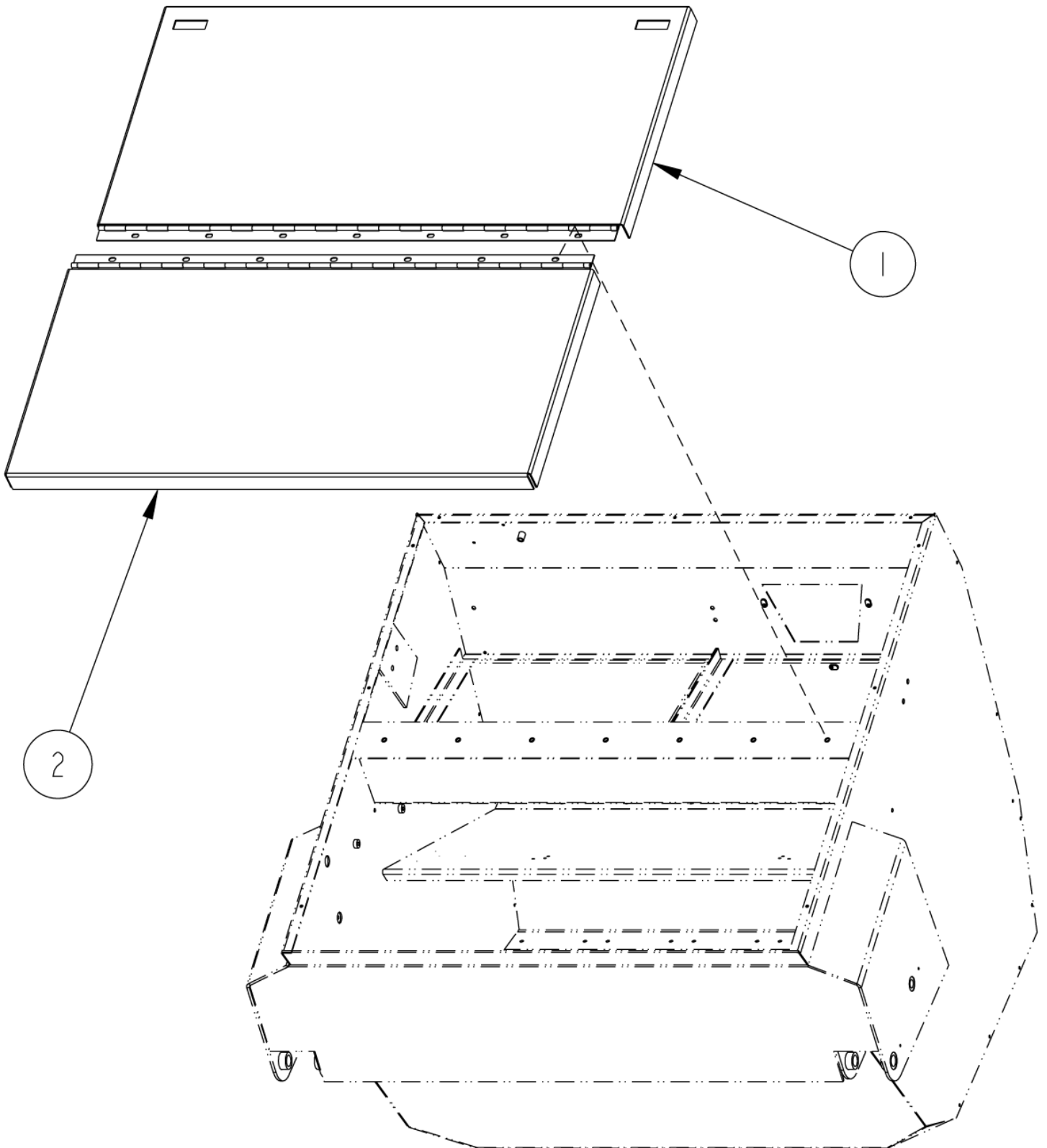
Standard Covers with Stainless Steel Hinges Op

3366 after Serial No. 586065

28-01-2013

Part List ID
336658606542

54



Standard Covers with Stainless Steel Hinges Op

3366 after Serial No. 586065

28-01-2013

Part List ID

336658606542

55

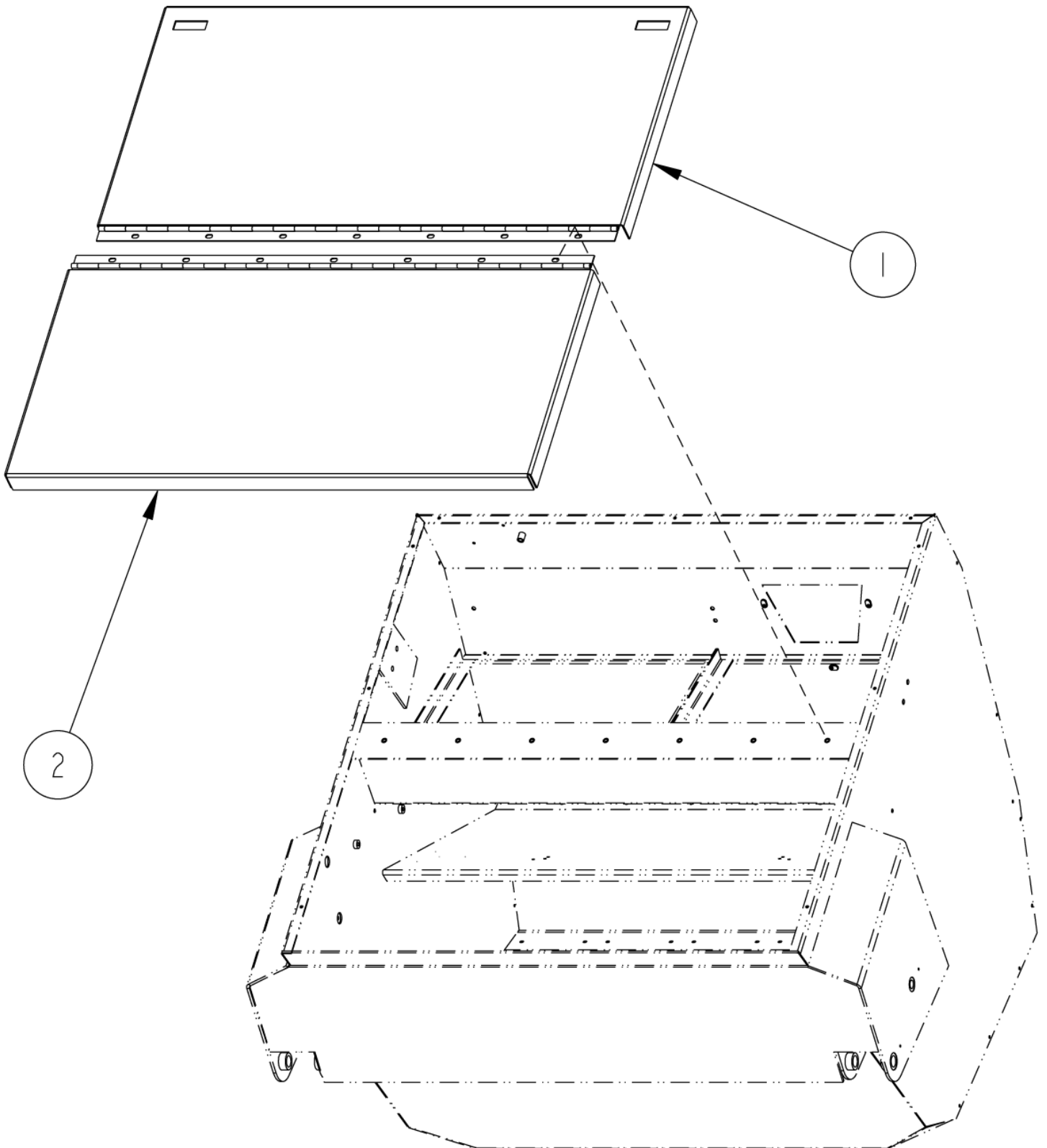
Standard Covers with Stainless Steel Hinges Op

3366 after Serial No. 586065

28-01-2013

Part List ID
336658606543

56



Standard Covers with Stainless Steel Hinges Op

3366 after Serial No. 586065

28-01-2013

Part List ID
336658606543

57

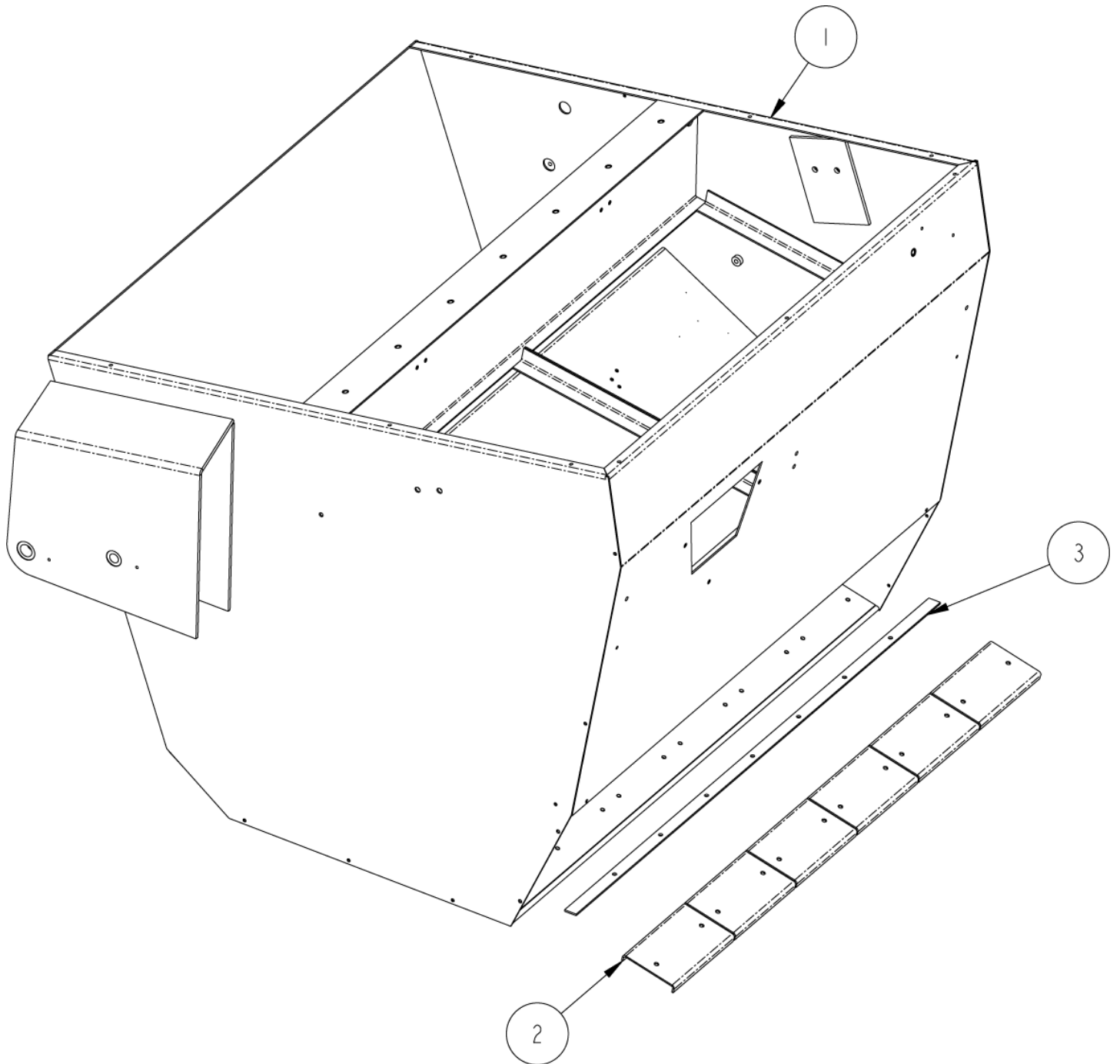
Stainless Steel Hopper Option

3366 after Serial No. 586065

28-01-2013

Part List ID
336658606544

58



Stainless Steel Hopper Option

3366 after Serial No. 586065

28-01-2013

Part List ID
336658606544

59

Pos	Part no.	Qty	Description
2	8-13-07084-1	6	CLAMP FLAP S/S

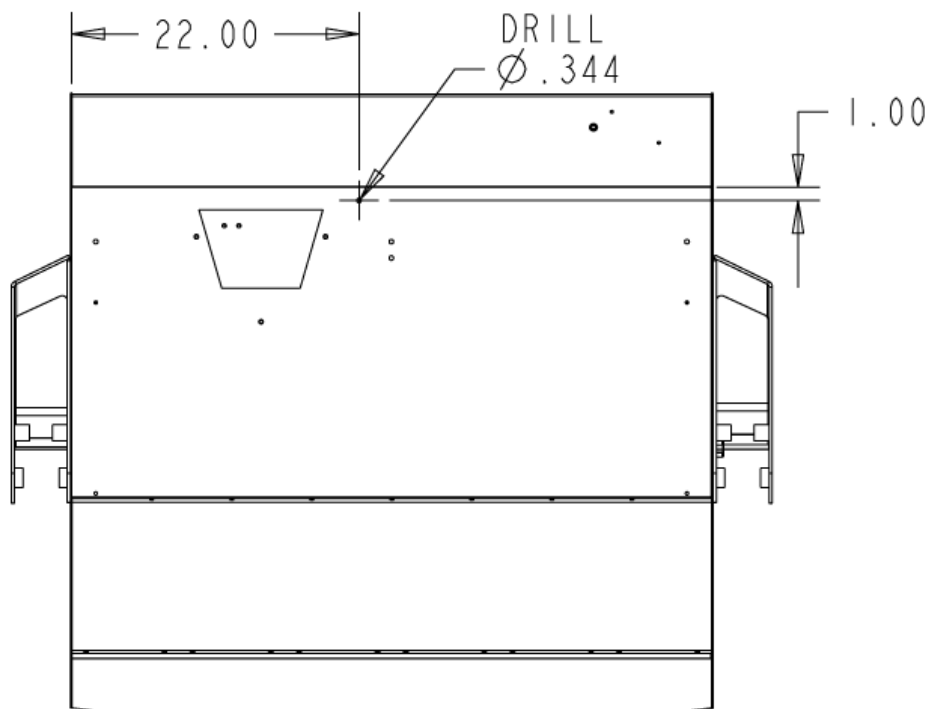
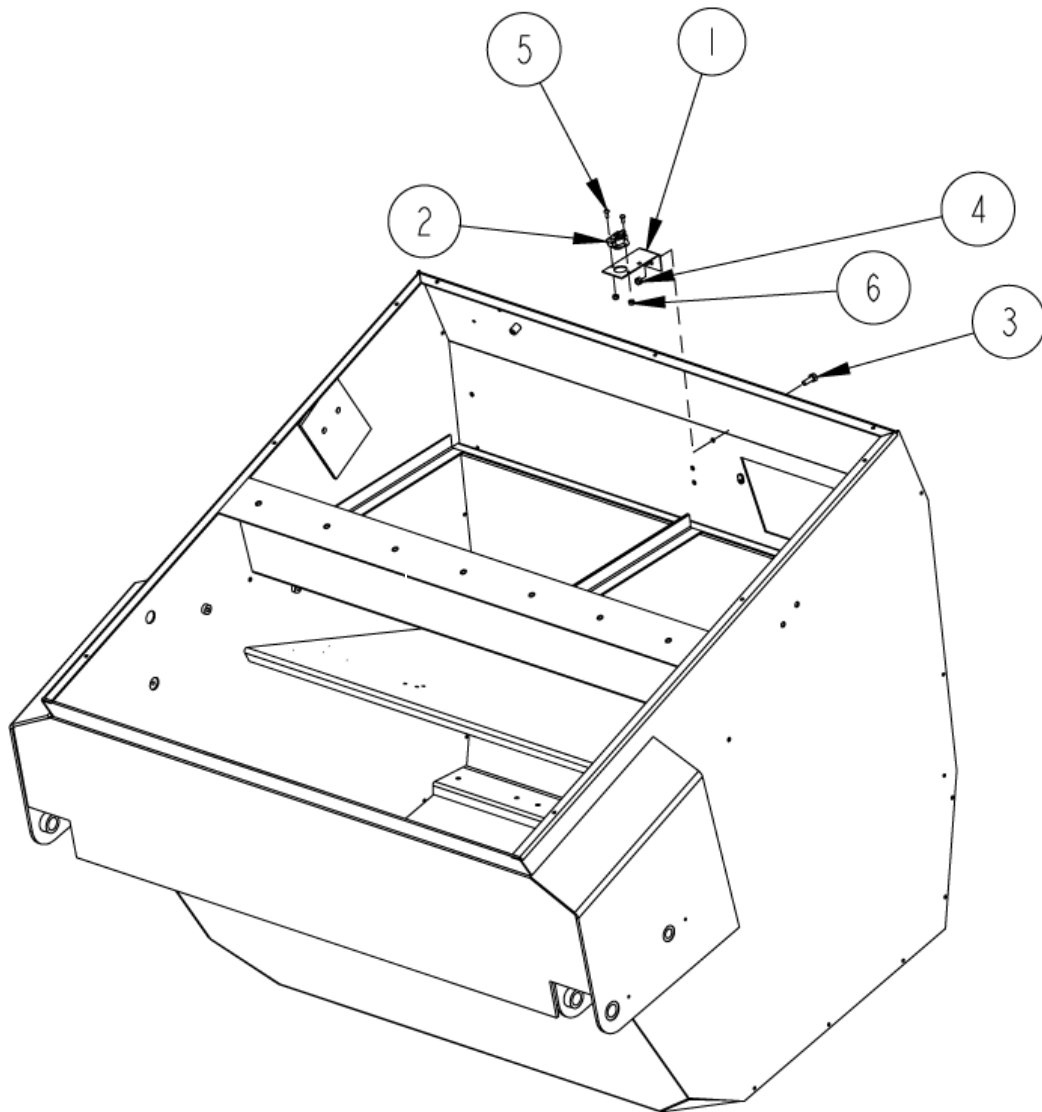
Hopper High Temperature Shutdown Option

3366 after Serial No. 586065

28-01-2013

Part List ID
336658606545

60



Hopper High Temperature Shutdown Optior

3366 after Serial No. 586065

28-01-2013

Part List ID
336658606545

61

Pos	Part no.	Qty	Description
1	8-08-00803	1	BRKT TEMP SWITCH
2	8-82-00056	1	SWITCH THERMOSTAT
3	2-00-00208	1	SCW HHC .313 18 X .75 GR5 ZN
4	2-00-00644	1	NUT INS FIBRE .31 18 ZN PL
5	2-00-00049	2	SCW RHM 10 24 X .50 ZN PL
6	2-00-01246	2	10 24 NYLON INSERT THIN

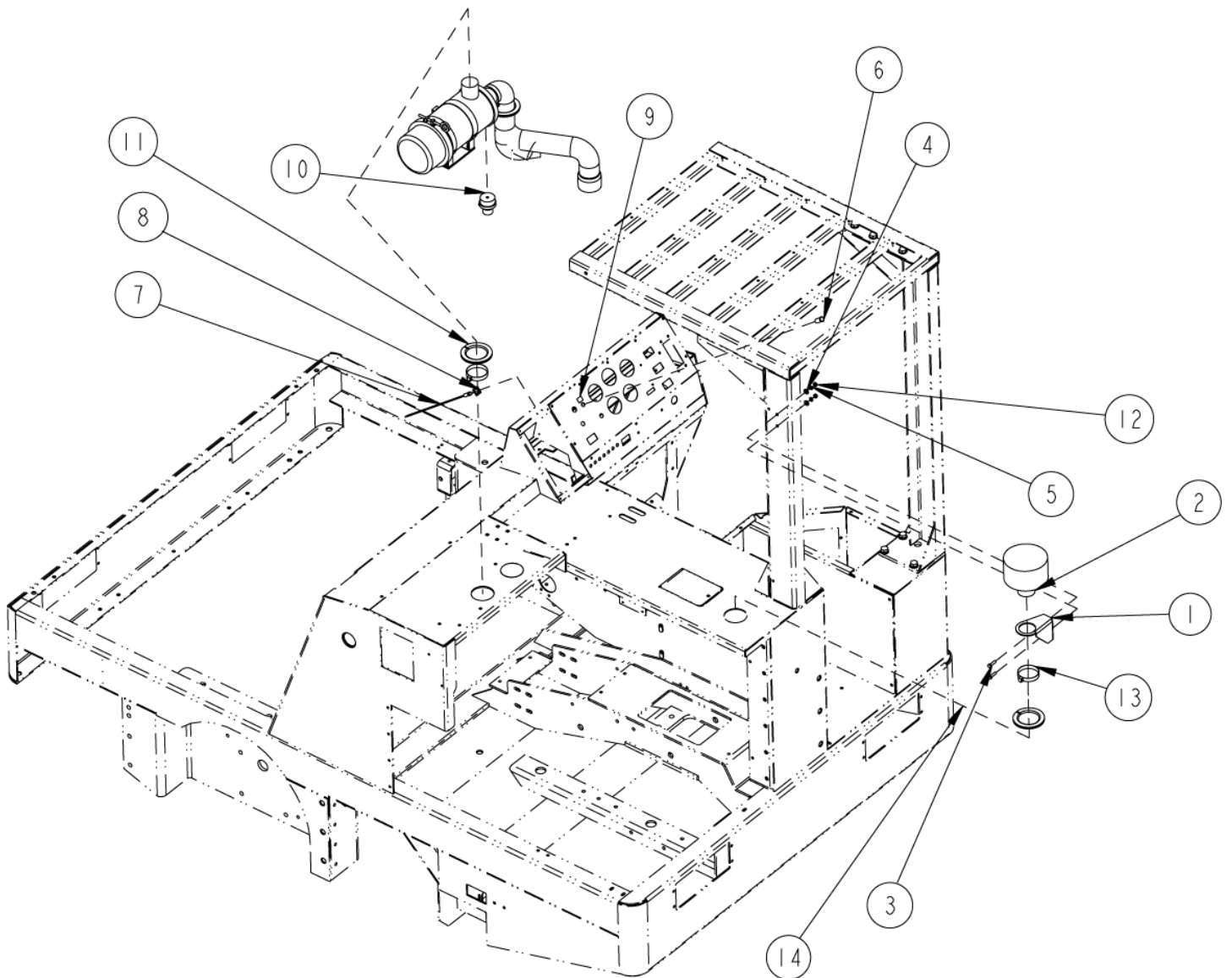
Se Air Cleaner (Raised Air Intake) with Overhea

3366 after Serial No. 586065

28-01-2013

Part List ID
336658606547

62



Se Air Cleaner (Raised Air Intake) with Overhea

3366 after Serial No. 586065

28-01-2013

Part List ID
33665860654/

63

Pos	Part no.	Qty	Description
2	7-24-04107	1	AIR CLEANER ASSY D722PLASTIC
3	2-00-00205	2	BOLT HEX TAP .25 20X1.0 GR 5
4	2-00-03702	2	WSHR FL..625X281X.063 STL.ZN
5	2-00-00518	2	LK WASH 1/4 MED. SECTION ZN
6	56305660	1	LIGHT RED LED INDICATOR
7	7-40-05027	1	LIGHT ASSEMBLY 14V
8	2-00-04735	1	SPEED NUT SN461
10	7-82-00065	1	SWITCH FILTER LOAD INDICATOR
11	7-21-04022	2	EDGING
12	2-00-00594	2	NUT HEX STD FIN .25 20 ZN
13	2-00-02216	2	CLAMP IDEAL CO 5232
14	8-33-02114	1	HOSE SE 10 FT.

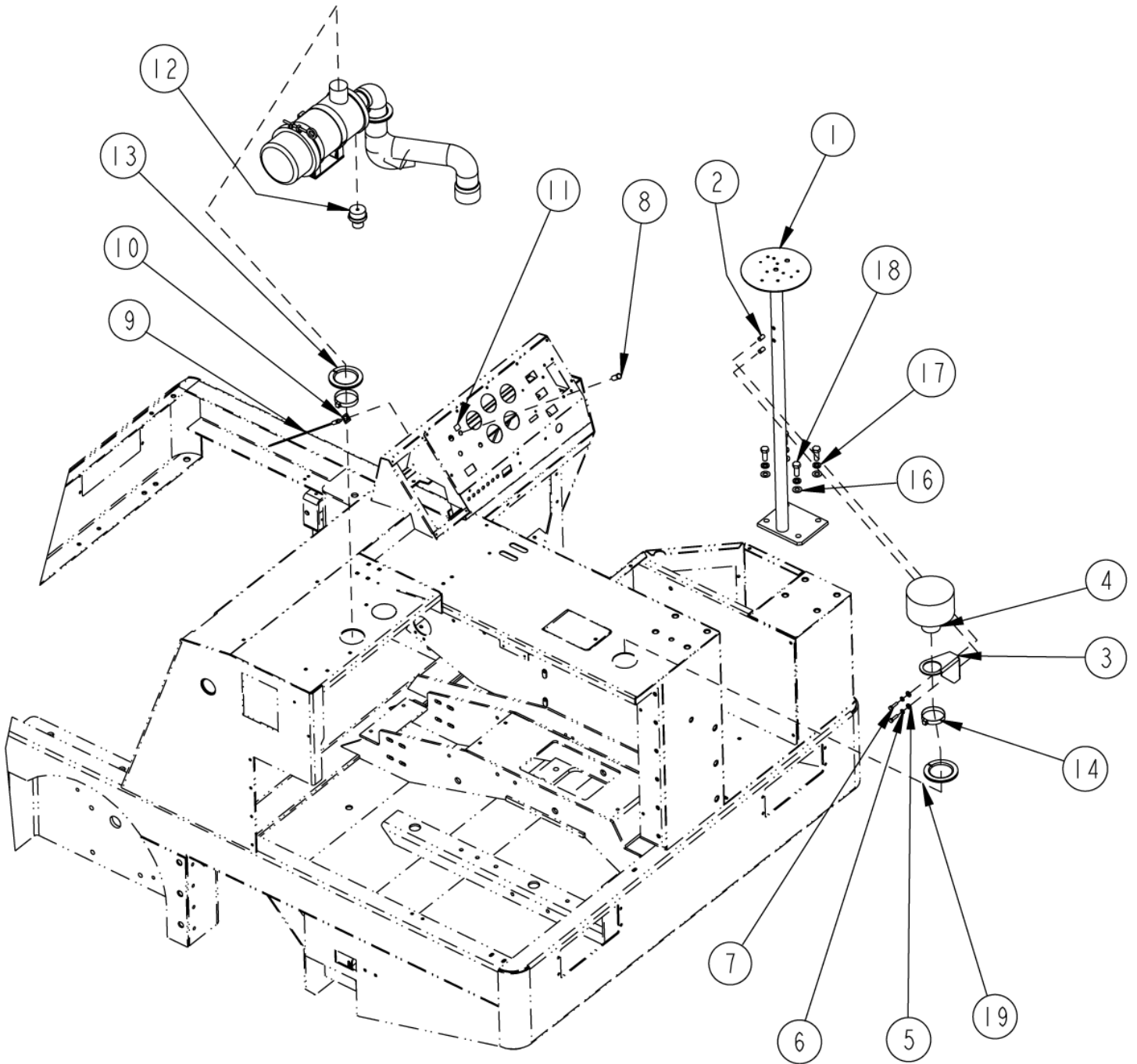
Se Air Cleaner (Raised Air Intake) without Over

3366 after Serial No. 586065

28-01-2013

Part List ID
336658606549

64



Se Air Cleaner (Raised Air Intake) without Over

3366 after Serial No. 586065

28-01-2013

Part List ID
336658606549

65

Pos	Part no.	Qty	Description
4	7-24-04107	1	AIR CLEANER ASSY D722PLASTIC
5	2-00-03702	2	WSHR FL..625X.281X.063 STL.ZN
6	2-00-00518	2	LK WASH 1/4 MED. SECTION ZN
7	2-00-00205	2	BOLT HEX TAP .25 20X1.0 GR 5
8	56305660	1	LIGHT RED LED INDICATOR
9	7-40-05027	1	LIGHT ASSEMBLY 14V
10	2-00-04735	1	SPEED NUT SN461
12	7-82-00065	1	SWITCH FILTER LOAD INDICATOR
13	7-21-04022	2	EDGING
14	2-00-02216	2	CLAMP IDEAL CO 5232
15	3-71-00302	10	2 IDWIRE REIN RB HOSE TYP 4663
16	2-00-00420	4	WSHR FLT 1.0X.51X.063 ZN
17	2-00-02312	4	LK WASHER 1/2 ID MED SEC ZN
18	2-00-00240	4	SCW HHC .50 13 X 1.25 GR 5 ZN
19	8-33-02114	1	HOSE SE 10 FT.

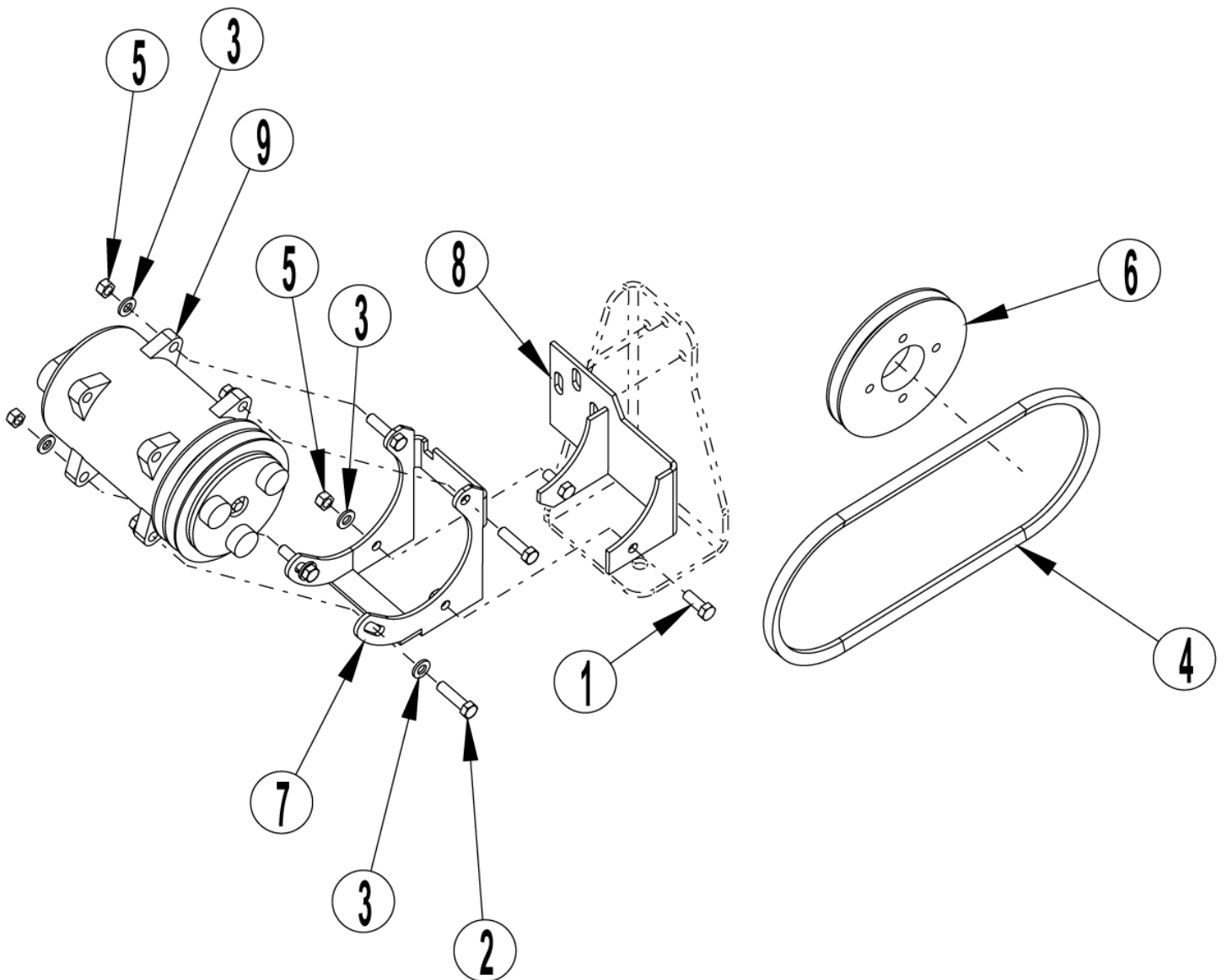
A/C Option - Diesel

3366 after Serial No. 586065

28-01-2013

Part List ID
336658606551

66



A/C Option - Diesel

3366 after Serial No. 586065

28-01-2013

Part List ID
3366586065b1

67

Pos	Part no.	Qty	Description	
0	2-00-00828	1	TERM STAKON T+B B 71 TYPE 1	NOT SHOWN
0	2-00-03360	2	CONN BUTT SPLICE INSULATED	NOT SHOWN
0	56109175	1	FUSE HOLDER IN LINE MINI	NOT SHOWN
0	56109242	1	AC ASSY/S4Q2 LARGE DSL	NOT SHOWN
0	56109247	1	HARNESS AC	NOT SHOWN
0	56109248	1	FUSE MINI 30 AMP	NOT SHOWN
1	2-00-00233	2	SCREW HHC .375 16 X 1.00 GR ZN	
2	2-00-00234	4	SCW HHC .375 16 X 1.50 GR5 ZN	
3	2-00-00402	8	WSHR FL..750X391X.093 STL ZN	
4	2-00-06151	1	BELT V 4L360	
5	2-95-04182	6	NUT EL.STOP 3/8 16 ZN PL	
6	7-60-00206	1	PULLEY V BELT	
7	8-08-00950	1	BRKT COMPRESSOR MOUNT	
8	8-08-00951	1	BRKT COMPRESSOR MOUNT	
9	0782-177	1	COMPRESSOR DOUBLE A GROOVE	

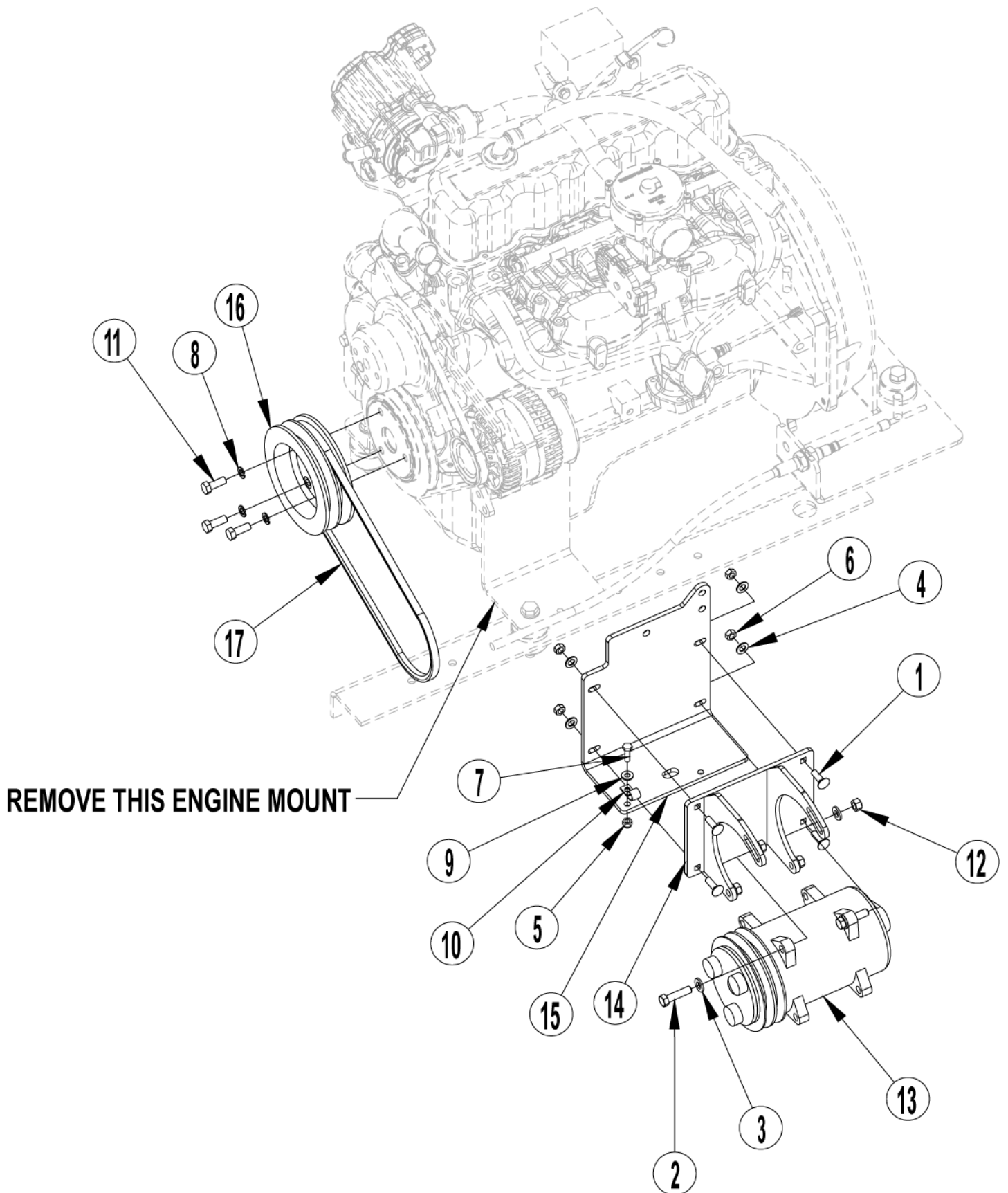
A/C Option - GM 3.0L

3366 after Serial No. 586065

28-01-2013

Part List ID
336658606553

68



A/C Option - GM 3.0L

3366 after Serial No. 586065

28-01-2013

Part List ID
336658606553

69

Pos	Part no.	Qty	Description	
0	2-00-00828	1	TERM STAKON T+B B 71 TYPE 1	NOT SHOWN
0	2-00-03360	2	CONN BUTT SPLICE INSULATED	NOT SHOWN
0	56109175	1	FUSE HOLDER IN LINE MINI	NOT SHOWN
0	56109243	1	AC ASSY/GM 3.0L ENGINE	NOT SHOWN
0	56109247	1	HARNESS AC	NOT SHOWN
0	56109248	1	FUSE MINI 30 AMP	NOT SHOWN
1	2-00-00196	4	BLT CAR..31 18 X 1 GR 5 ZN	
2	2-00-00234	4	SCW HHC .375 16 X 1.50 GR5 ZN	
3	2-00-00402	8	WSHR FL..750X.391X.093 STL ZN	
4	2-00-00409	4	WSHR FLAT.688X.344X.063 STL	
5	2-00-00641	1	NUT INS FIBRE .25 20 ZN PL	
6	2-00-00644	4	NUT INS FIBRE .31 18 ZN PL	
7	2-00-01490	1	SCW HHC .25 20 X .875 GR5 ZN	
8	2-00-02310	3	LK WASH HELICAL SPR ZN	
9	2-00-03702	1	WSHR FL..625X.281X.063 STL.ZN	
10	2-00-04602	1	CLAMP HOSE SINGLE 1/2 O.D.	
11	2-00-05381	3	SCREW HHC .375 24X1.00 GR8 ZN	
12	2-95-04182	4	NUT EL.STOP 3/8 16 ZN PL	
13	0782-177	1	COMPRESSOR DOUBLE A GROOVE	
14	56109054	1	BRACKET A/C COMPRESSOR	
15	56109057	1	BRACKET ENGINE MOUNT	
16	56109058	1	PULLEY DUAL GROOVE 3.0L	
17	56109059	1	V BELT	

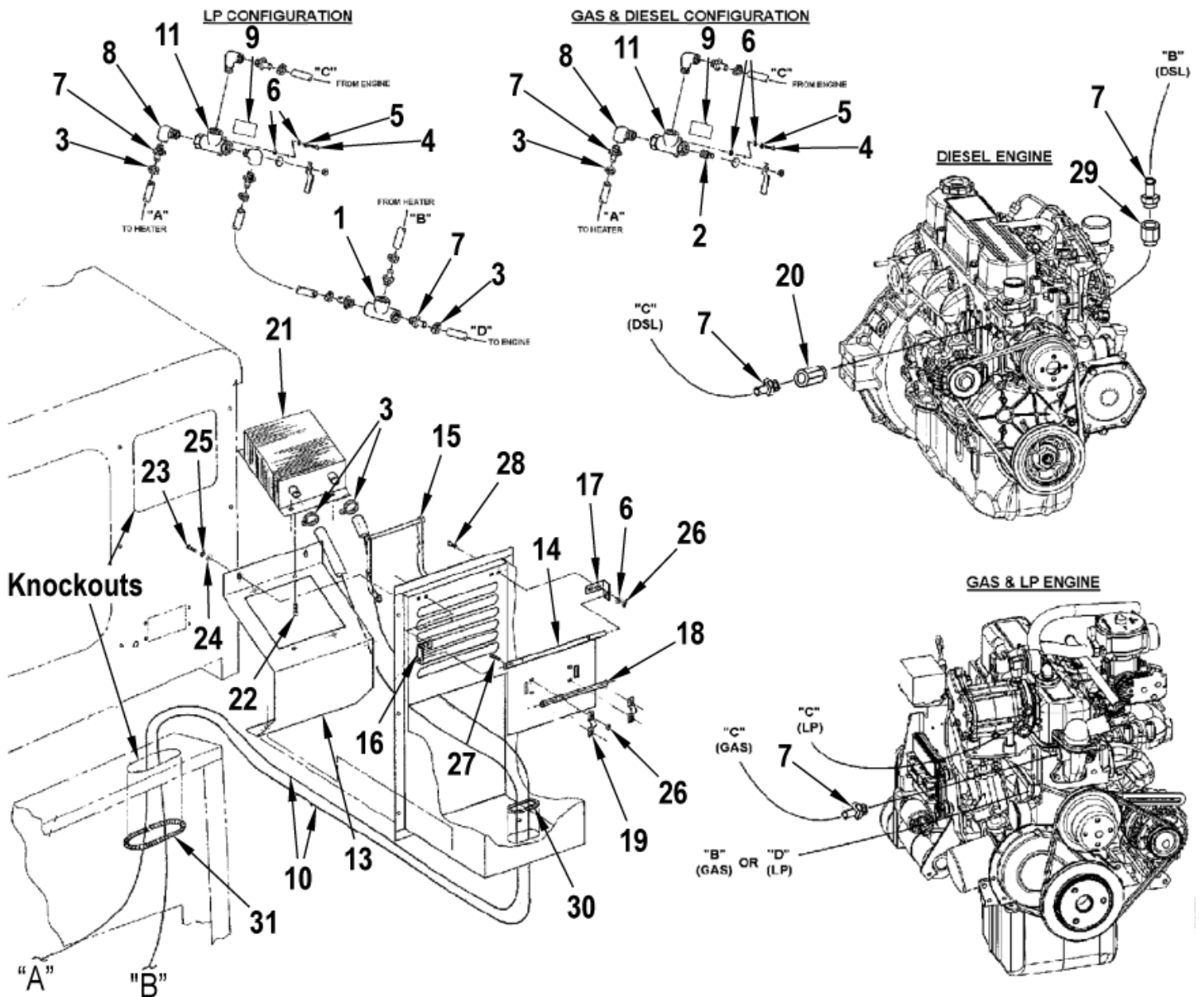
Heater Option GAS

3366 after Serial No. 586065

28-01-2013

Part List ID
336658606555

70



Heater Option GAS

3366 after Serial No. 586065

28-01-2013

Part List ID
336658606555

71

Pos	Part no.	Qty	Description
1	2-00-04497	1	FTG TEE
2	2-00-02474	1	PLUG PIPE GALV .50
3	2-00-03407	6	CLAMP WITTECK 10P
4	2-00-03059	2	SCW PH.THM 10 24 X .38 ZN
5	2-00-00519	2	LK WASH 10 MED SEC ZN
6	2-00-00426	8	WSHR FL .500X.219X.063 STL.ZN
7	7-25-02040	3	HOSE FITTING
8	2-00-04328	2	ELBOW STREET 90 DEG .50NPT
9	8-18-00331	1	DECAL HEATER VALVE
10	3-71-00125	25	5/8 ID BLCK HEATR HOSE SAE20R3
11	8-88-00043	1	HEATER VALVE
13	8-08-00893	1	BRACKET HEATER
14	8-33-05141	1	BLOWER HOUSING DOOR WELDMENT
15	8-33-05142	1	HANDLE BLOWER HOUSING
16	8-32-00052	1	HINGE RH
17	8-32-00053	1	HINGE LH
18	8-55-08135	1	CAB HEATER PIVOT PIN
19	8-13-07094	2	CONDUIT CLAMP
20	56109081	1	ADAPTER M16X1.5 3/8 NPT
21	8-62-01015	1	HEATER CORE
22	2-00-01994	4	SCR TF/PRH 8 15X.75 TYPE A
23	2-00-00220	4	SCW HHC .25 20 X .63 GR 8 ZN
24	2-00-03702	4	WSHR FL..625X.281X.063 STL.ZN
25	2-00-00518	4	LK WASH 1/4 MED. SECTION ZN
26	2-00-01246	8	10 24 NYLON INSERT THIN
27	2-00-00006	4	SCREW FHM 10 24 X .63 ZN
28	2-00-00049	4	SCW RHM 10 24 X .50 ZN PL
29	56109082	1	ADAPTER 3/8 BSPT 3/8 NPT
30	8-21-04015	1	MOULDING RUBBER
31	8-21-04039	1	EDGING ENGINE COVER LP

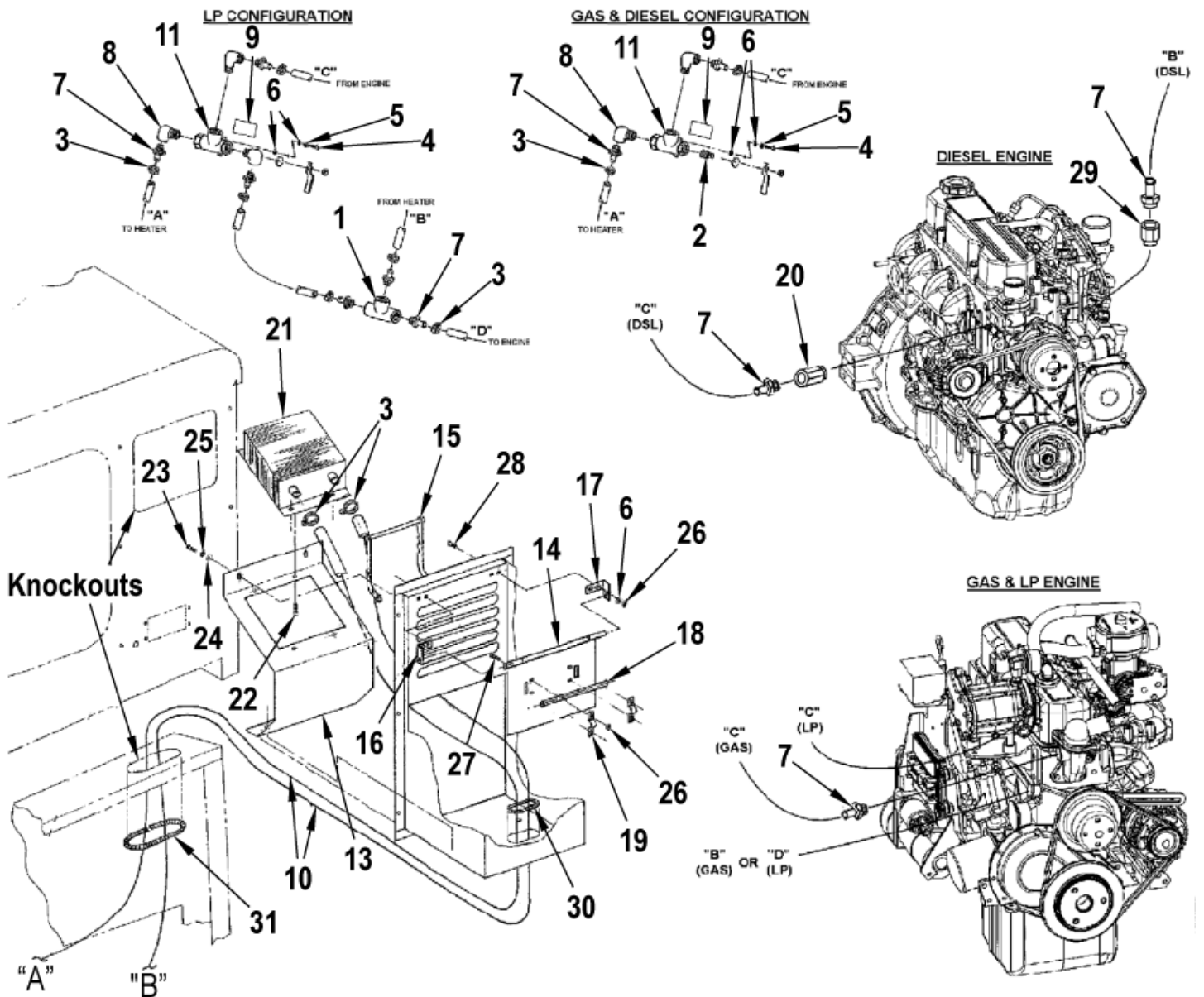
Heater Option LPG

3366 after Serial No. 586065

28-01-2013

Part List ID
336658606557

72



Heater Option LPG

3366 after Serial No. 586065

28-01-2013

Part List ID
33665860655/

73

Pos	Part no.	Qty	Description
1	2-00-04497	1	FTG TEE
2	2-00-02474	1	PLUG PIPE GALV .50
3	2-00-03407	10	CLAMP WITTECK 10P
4	2-00-03059	2	SCW PH.THM 10 24 X .38 ZN
5	2-00-00519	2	LK WASH 10 MED SEC ZN
6	2-00-00426	8	WSHR FL .500X.219X.063 STL.ZN
7	7-25-02040	7	HOSE FITTING
8	2-00-04328	3	ELBOW STREET 90 DEG .50NPT
9	8-18-00331	1	DECAL HEATER VALVE
10	3-71-00125	25	5/8 ID BLCK HEATR HOSE SAE20R3
11	8-88-00043	1	HEATER VALVE
13	8-08-00893	1	BRACKET HEATER
14	8-33-05141	1	BLOWER HOUSING DOOR WELDMENT
15	8-33-05142	1	HANDLE BLOWER HOUSING
16	8-32-00052	1	HINGE RH
17	8-32-00053	1	HINGE LH
18	8-55-08135	1	CAB HEATER PIVOT PIN
19	8-13-07094	2	CONDUIT CLAMP
20	56109081	1	ADAPTER M16X1.5 3/8 NPT
21	8-62-01015	1	HEATER CORE
22	2-00-01994	4	SCR TF/PRH 8 15X.75 TYPE A
23	2-00-00220	4	SCW HHC .25 20 X .63 GR 8 ZN
24	2-00-03702	4	WSHR FL..625X.281X.063 STL.ZN
25	2-00-00518	4	LK WASH 1/4 MED. SECTION ZN
26	2-00-01246	8	10 24 NYLON INSERT THIN
27	2-00-00006	4	SCREW FHM 10 24 X .63 ZN
28	2-00-00049	4	SCW RHM 10 24 X .50 ZN PL
29	56109082	1	ADAPTER 3/8 BSPT 3/8 NPT
30	8-21-04015	1	MOULDING RUBBER
31	8-21-04039	1	EDGING ENGINE COVER LP

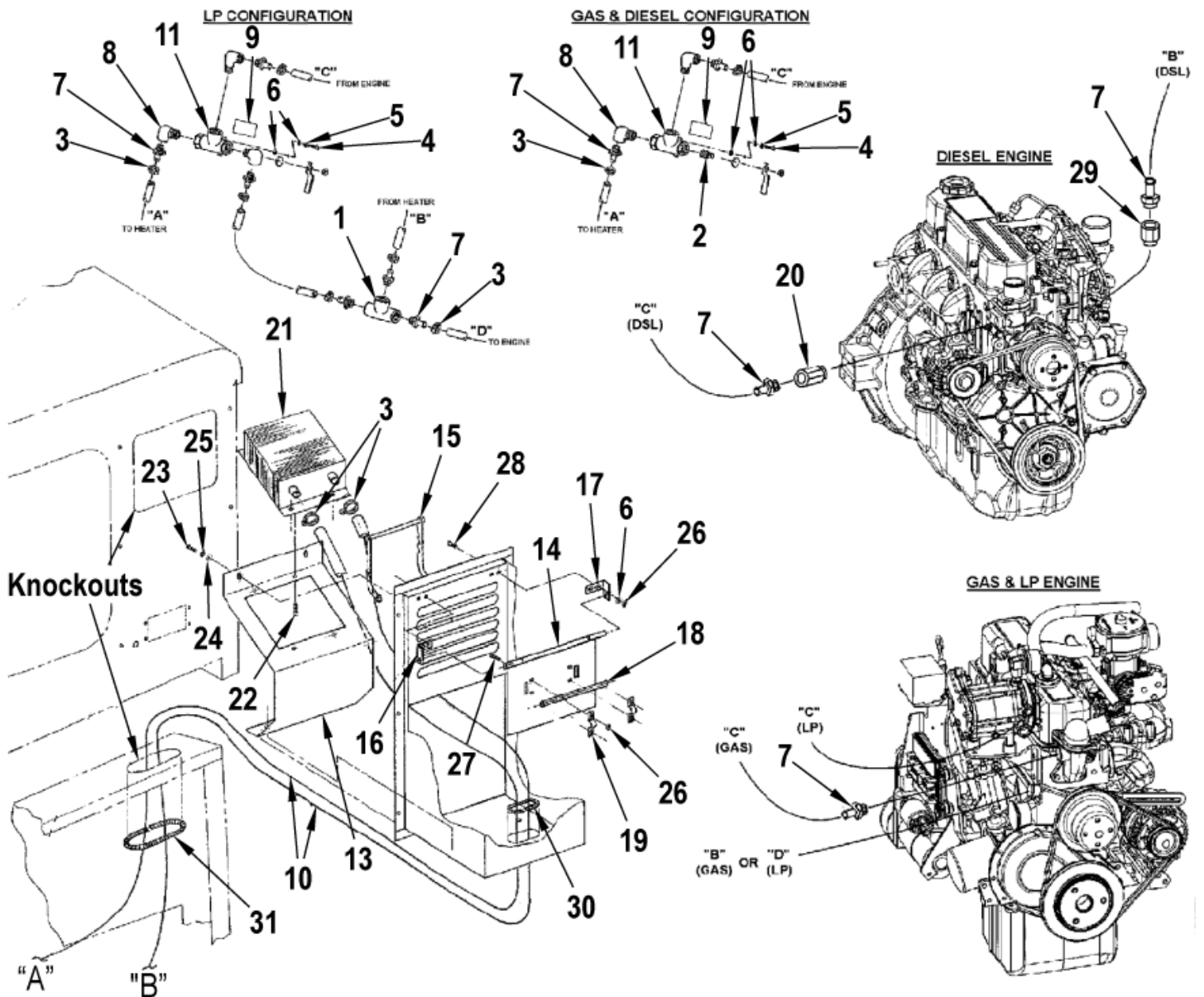
Heater Option DSL

3366 after Serial No. 586065

28-01-2013

Part List ID
336658606559

74



Heater Option DSL

3366 after Serial No. 586065

28-01-2013

Part List ID
336658606559

75

Pos	Part no.	Qty	Description
1	2-00-04497	1	FTG TEE
2	2-00-02474	1	PLUG PIPE GALV .50
3	2-00-03407	6	CLAMP WITTECK 10P
4	2-00-03059	2	SCW PH.THM 10 24 X .38 ZN
5	2-00-00519	2	LK WASH 10 MED SEC ZN
6	2-00-00426	8	WSHR FL .500X.219X.063 STL.ZN
7	7-25-02040	4	HOSE FITTING
8	2-00-04328	2	ELBOW STREET 90 DEG .50NPT
9	8-18-00331	1	DECAL HEATER VALVE
10	3-71-00125	25	5/8 ID BLCK HEATR HOSE SAE20R3
11	8-88-00043	1	HEATER VALVE
13	8-08-00893	1	BRACKET HEATER
14	8-33-05141	1	BLOWER HOUSING DOOR WELDMENT
15	8-33-05142	1	HANDLE BLOWER HOUSING
16	8-32-00052	1	HINGE RH
17	8-32-00053	1	HINGE LH
18	8-55-08135	1	CAB HEATER PIVOT PIN
19	8-13-07094	2	CONDUIT CLAMP
20	56109081	1	ADAPTER M16X1.5 3/8 NPT
21	8-62-01015	1	HEATER CORE
22	2-00-01994	4	SCR TF/PRH 8 15X.75 TYPE A
23	2-00-00220	4	SCW HHC .25 20 X .63 GR 8 ZN
24	2-00-03702	4	WSHR FL..625X.281X.063 STL.ZN
25	2-00-00518	4	LK WASH 1/4 MED. SECTION ZN
26	2-00-01246	8	10 24 NYLON INSERT THIN
27	2-00-00006	4	SCREW FHM 10 24 X .63 ZN
28	2-00-00049	4	SCW RHM 10 24 X .50 ZN PL
29	56109082	1	ADAPTER 3/8 BSPT 3/8 NPT
30	8-21-04015	1	MOULDING RUBBER
31	8-21-04039	1	EDGING ENGINE COVER LP