

Menü Inhalt

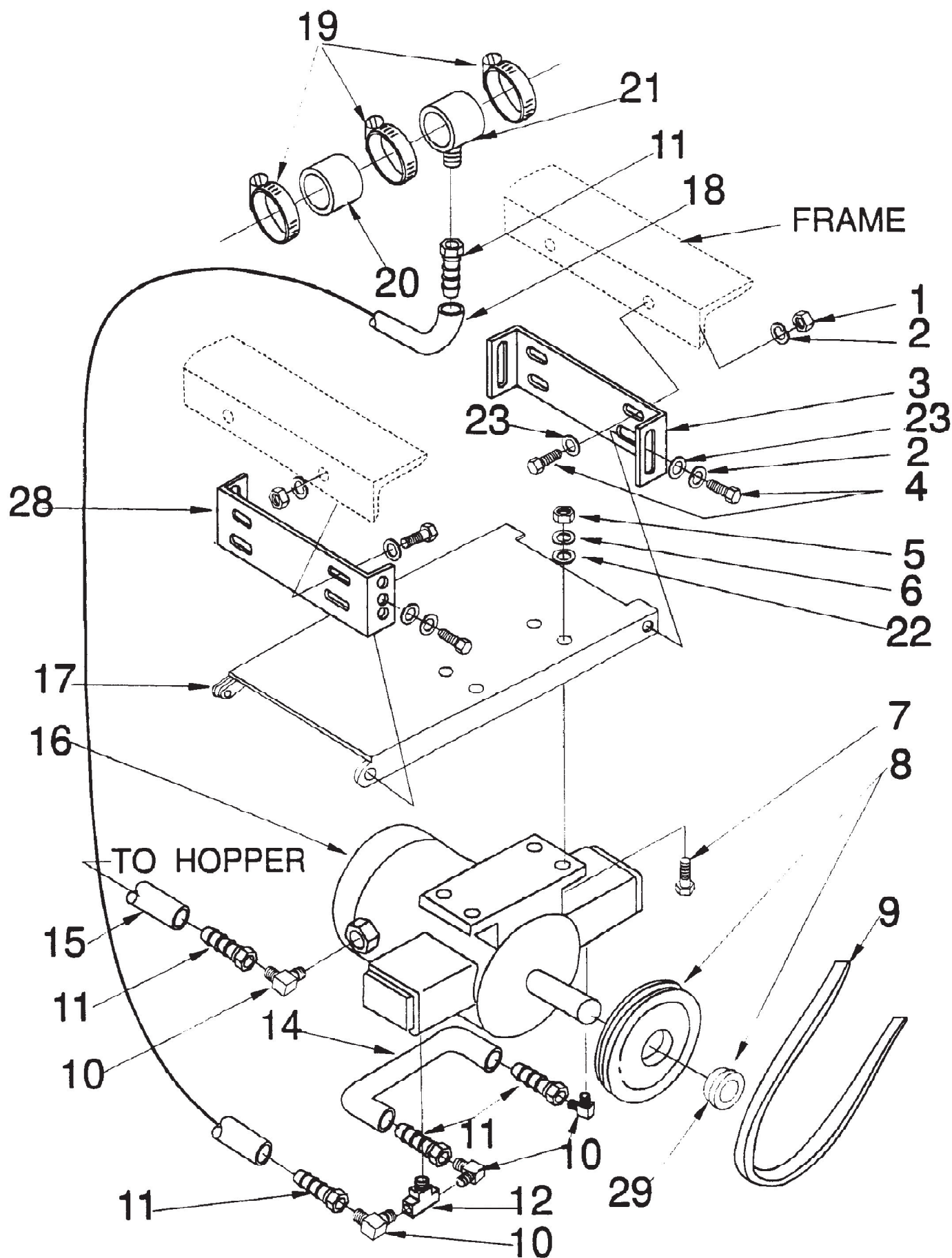
Typ: 578-533 2260XP Gas Low Dump 53.7 HP Ford VSG 413 engine Diagramme

Typ 578-533 2260XP Gas Low Dump 53.7 HP Ford VSG 413 engine Vermerke !

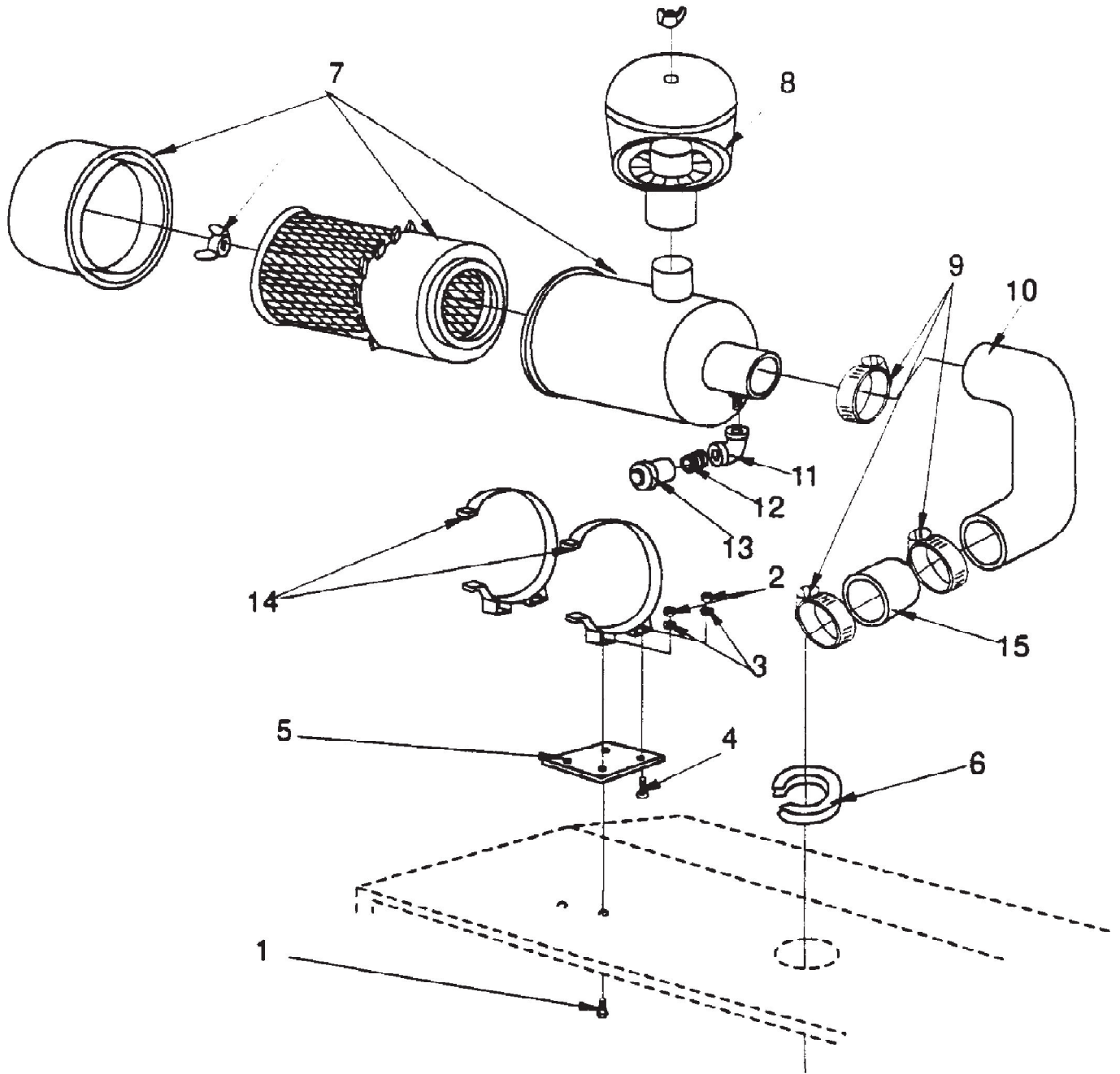
Air Intake
Air Intake System - Diesel
Auxiliary Manifold Assembly
Auxiliary Pump & Fittings
Back-Up Alarm 0880-392
Blower Attachment
Brake Assembly
Brake Control Linkage
Broom Doors
Broom Options
Cab
CDC Air Filter
CDC Compressor
Choke Linkage - Ford VSG 411
Choke Linkage - Ford VSG 413
Circuit Breaker For Cab Options
Control Panel
Control Valve & Fittings - Low Dump
Control Valve & Fittings - Variable Dump
Decals
Defroster Fan (Cab)
Dome Light - (Cab)
Driver Compartment
Dump Cylinders With Fittings - Low Dump
Dump Cylinders With Fittings - Variable Dump
Electrical Connection Diagram Ford 411 Engine
Electrical Connection Diagram Ford 413 Engine
Electrical Connection Diagram Perkins 104.19 Engine
Electrical Schematic Ford 411 Engine
Electrical Schematic Ford 413 Engine
Electrical Schematic Perkins 104.19 Engine
Engine Cover
Engine Shutdown - Ford 411
Engine Shutdown - Ford 413
Engine Shutdown - Perkins 104.19
Exhaust System
Filter System
Filter Warning System
Fire Extinguishers
Flame Arresting Gas Cap
Flaps
Ford VSG 411 Engine
Ford VSG 411 Wiring
Ford VSG 413 Engine
Ford VSG 413 Wiring
Forward Control
Frame
Front Wheel Assembly
Fuel Extractor
Fuel Line
Fuel Tank
Heavy Duty Air Cleaner
Hopper Lid
Hopper Lift System - Low Dump
Hopper Lift System - Variable Dump
Horn
Hot Water Heater (Cab) - Ford 411
Hot Water Heater (Cab) - Ford 413
Hot Water Heater (Cab) - Perkins
Hydraulic Hose System - Low Dump
Hydraulic Hose System - Variable Dump
Hydraulic Oil Cooler
Hydraulic Reservoir And Fittings
Hydraulic Schematic - Low Dump
Hydraulic Schematic - Variable Dump
Impeller And Fittings
Instrument Lights - Headlights, Taillights, Instrument Lights & Brakes
Instrument Lights - Turn Signals & Brakes
Instrument Panel
Intake System - Ford VSG 411
Intake System - Ford VSG 413
Left Side Broom
Lift Cylinder Lock-Out Valve & Fittings
Lift Cylinders With Fittings - Variable Dump
Light Options - Brakes P/N 0880-354
Light Options - Brakes P/N 0880-355
Light Options - Headlights P/N 0880-351, P/N 0880-354
Light Options - Instrument Lights P/N 0880-351, P/N 0880-354
Light Options - Side Broom Light

Ersatzteile auf www.gluesing.net

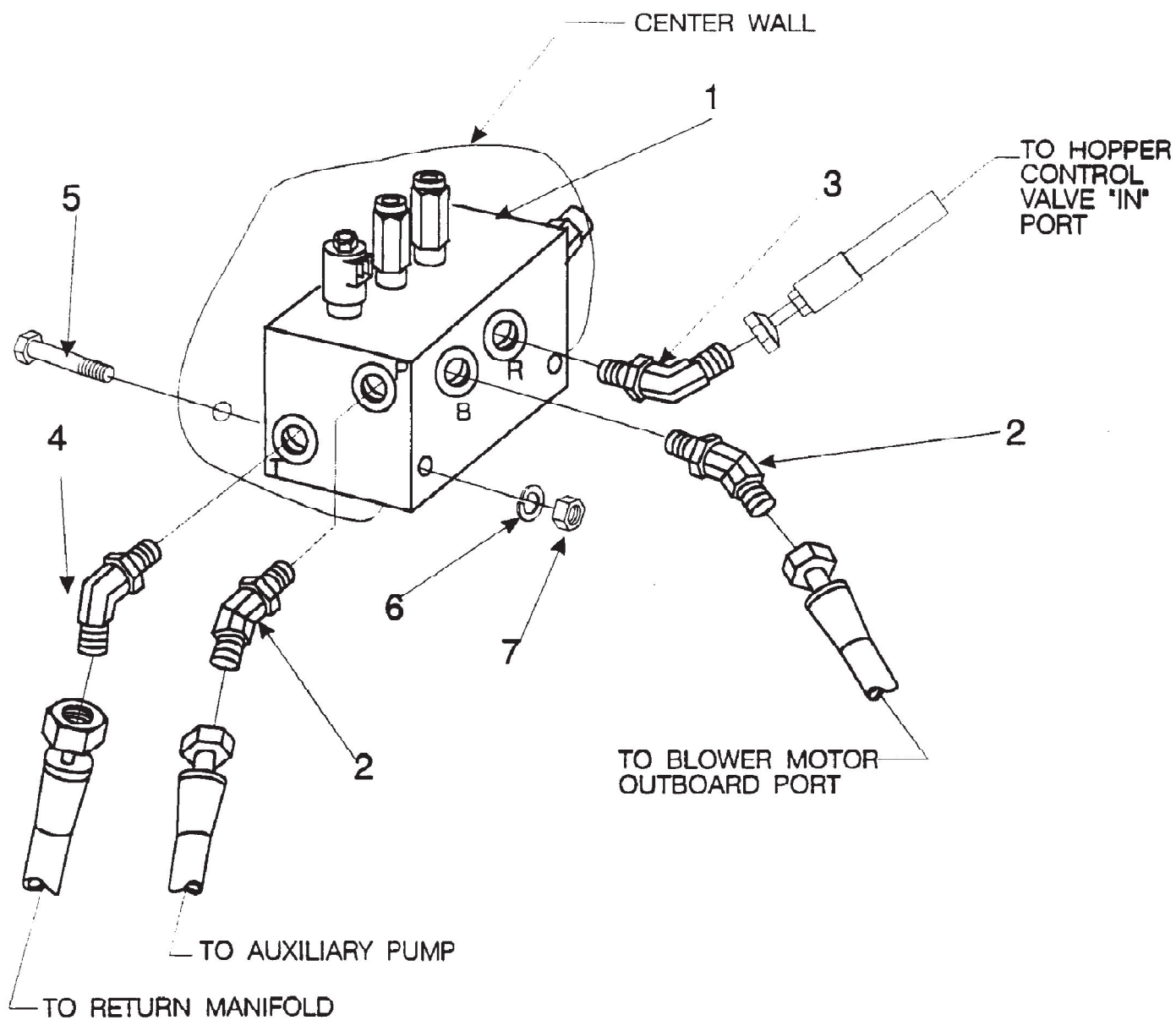
Light Options - Taillights P/N 0880-351, P/N 0880-354
Light Options - Turn Signals P/N 0880-355
Light Options - Warning Light - Standard
Light Options - Warning Light With Cab
Light Options - Warning Light With Overhead Guard
Light Options - Work Light
Light Switch - Headlights, Taillights, Instrument Lights & Brakes
Light Switch - Turn Signals & Brakes
LP - Ford 411 Engine
LP - Ford 413 Engine (IMCO)
LP Tank System
Main Broom
Main Broom Lift Mechanism
Main Broom Motor & Fittings
Main Pump & Fittings
Overhead Guard Option
Oxy-Catalytic Muffler For Diesel Engines
Oxy-Catalytic Muffler For Gas Engines
Perkins 104.19 Diesel Engine
Perkins 104.19 Wiring
Power Steering
Pressurizer (Cab)
Radiator
Rear Drive Motor & Fittings
Rear Drive System
Return Filter And Fittings
Return Manifold Assembly - Low Dump
Return Manifold Assembly - Vari-Dump
Reverse Control
Rotation Cylinders With Fittings - Variable Dump
Shroud
Side Broom
Side Broom Light Switch
Side Broom Motor & Fittings
Steering Gear
Suspension Seat Option
Throttle - Ford VSG 411
Throttle - Ford VSG 413
Timed Shaker Motors
Tire Options
Turn Signal Switch - Turn Signals & Brakes
Vacuum Side Broom
Vacuum Wand
Water Extractor
Wet Sweep Bypass
Windshield Wiper (Cab)



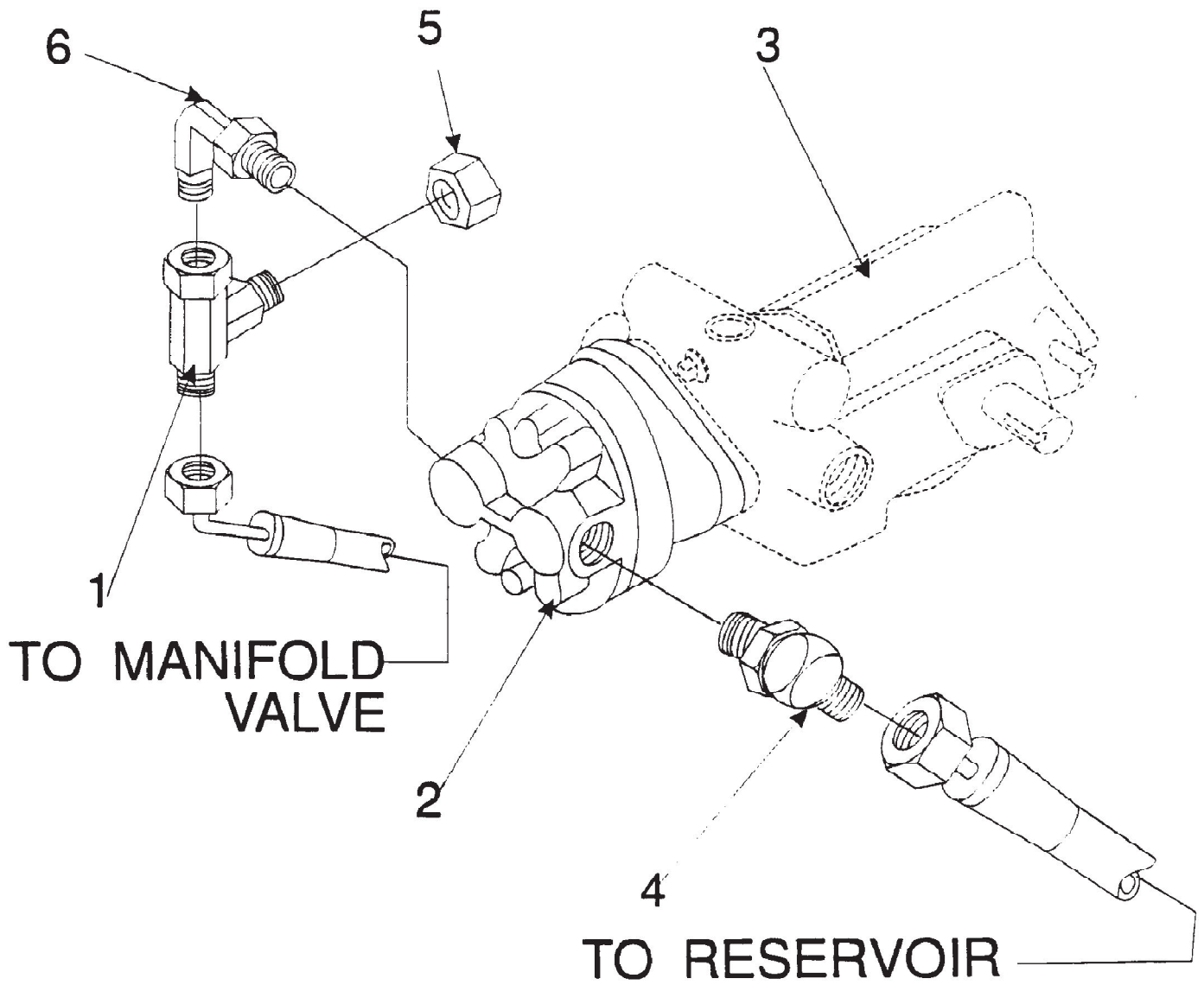
Referenznummer	Artikelnummer	Menge	Description
1	2-00-02360	4	Nut, Hex 3/8-16 x .562 x .328
2	2-00-02310	8	Lock Washer, Helical Spring 3/8 Med
3	8-08-00718	1	Bracket
4	2-00-00233	8	Screw, 3/8-16 x 1.000 HHC
5	2-00-00594	4	Nut, Hex 1/4-20 x .437 x .218
6	2-00-00518	4	Lock Washer, Helical Spring 1/4 Med
7	2-00-00221	4	Screw, 1/4-20 x .750 HHC
8	8-60-00165	1	Pulley (FORD)
8	7-60-00137	1	Pulley (PERKINS 104.19)
9	2-00-05017	1	V-Belt, 46.00 x .437 x .312 (FORD)
9	2-00-01043	1	Belt, Compressor Drive (PERKINS 104.19)
10	2-00-04477	4	37ø JIC 90ø Elbow M, 1/4-18/9 / 16-18
11	2-00-04856	5	Hose Fitting Barbed, F 37ø JIC Swivel 9/16-18
12	2-00-04498	1	Male Branch Tee, 1/2-14 M-F
13	2-00-05050	1	Hose Clamp (Ford 413 Radiator Hose Only)
14	8-33-02166	1	Hose
15	8-33-02240	1	Hose, Compressor to Solenoid
16	0890-006-1	1	Compressor
17	8-08-00658	1	Compressor Bracket
18	8-33-02241	1	Hose
19	2-00-02216	3	Hose Clamp, 1.562-2.500 Order and position vary with installed engine
20	8-33-02234	1	Hose Order and position vary with installed engine
21	8-16-05021	1	Coupling Order and position vary with installed engine
22	2-00-03702	4	Flat Washer, .625 x .281 x .062
23	2-00-00402	8	Flat Washer, .750 x .390 x .093
24	2-00-00207	4	Screw, 5/16-18 x 1.000 HHC
25	2-00-03702	1	Flat Washer, .625 x .281 x .062
26	2-00-00530	1	Lock Washer, Helical Spring 5/16 Med
27	2-00-00585	1	Nut, Hex 5/16-18 x .500 x .265
28	8-08-00719	1	Bracket
29	8-60-00171	1	Bushing (PERKINS 104.19)
	2-00-02084	1	V-Belt, 31.500 x .375 x .312 Alternator & Belt Drive-FORD 413 Only. Not Shown.
	0880-538		CDC Option for FORD 413 Engine
	0880-539		CDC Option for PERKINS Engine



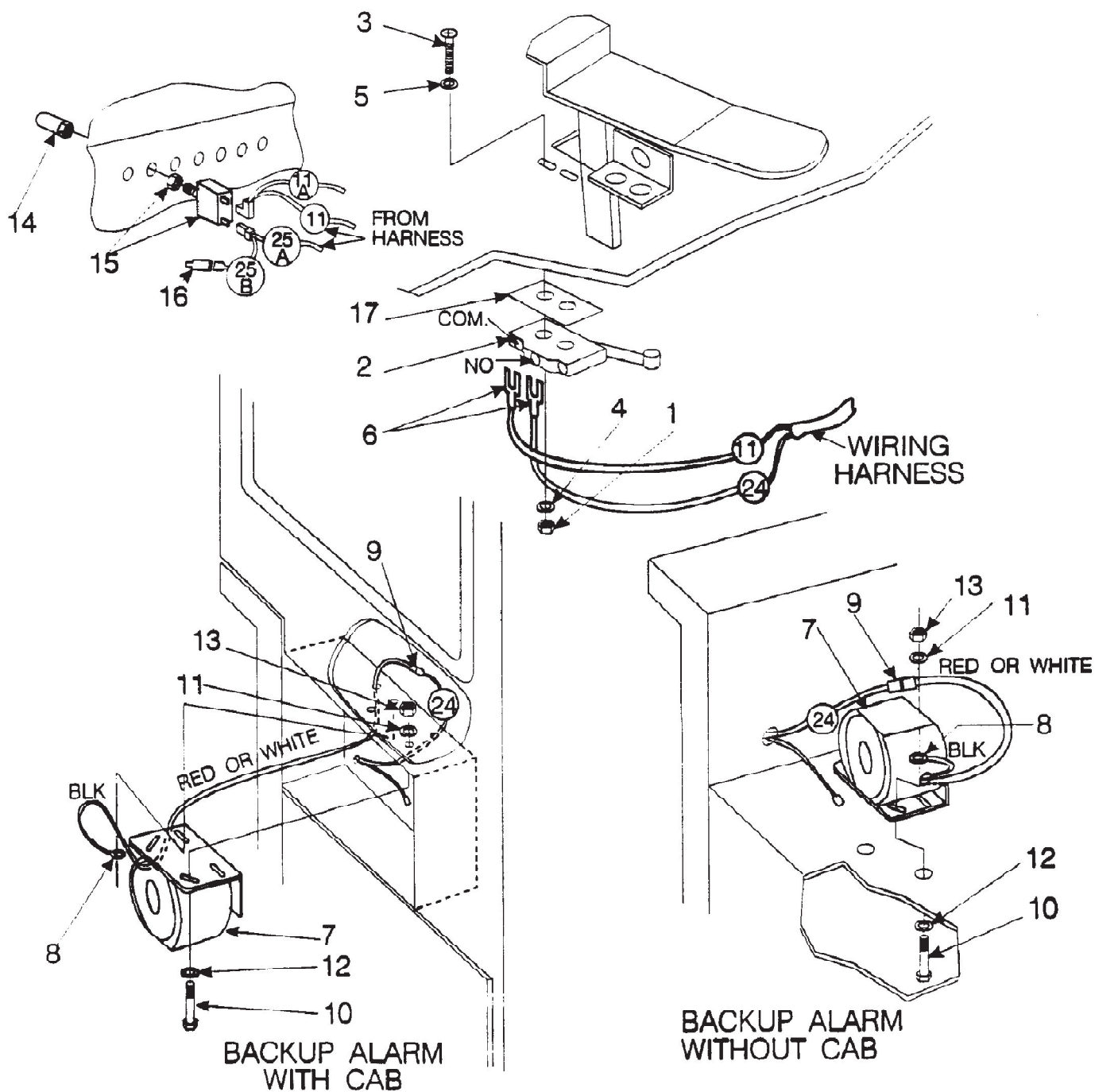
Referenznummer	Artikelnummer	Menge	Description
1	2-00-00205	2	Screw, 1/4 - 20 x 1.000 HHC
2	2-00-00594	4	Nut, Hex 1/4 - 20 x .437 x .218
3	2-00-00518	4	Lock Washer, Helical Spring 1/4 Med
4	2-00-03027	2	Screw, 1/4-20 x .625 HSFHS
5	8-52-05263	1	Mounting Plate
6	7-21-04022	1	Edging
7	8-24-04100	1	Air Cleaner Assembly
8	8-24-04092	1	Pre-Cleaner Assembly
9	2-00-02217	2	Hose Clamp
10	2-00-02272	1	Molded Hose
11	2-00-03641	1	90° Elbow 1/9 NPT
12	2-95-02519	1	Close Nipple - 1/8 NPT
13	8-24-04101	1	Meter, Engine Air Cleaner
14	8-24-04093	1	A/C Mounting Bracket
15	8-87-02110	1	Tube - Air Intake



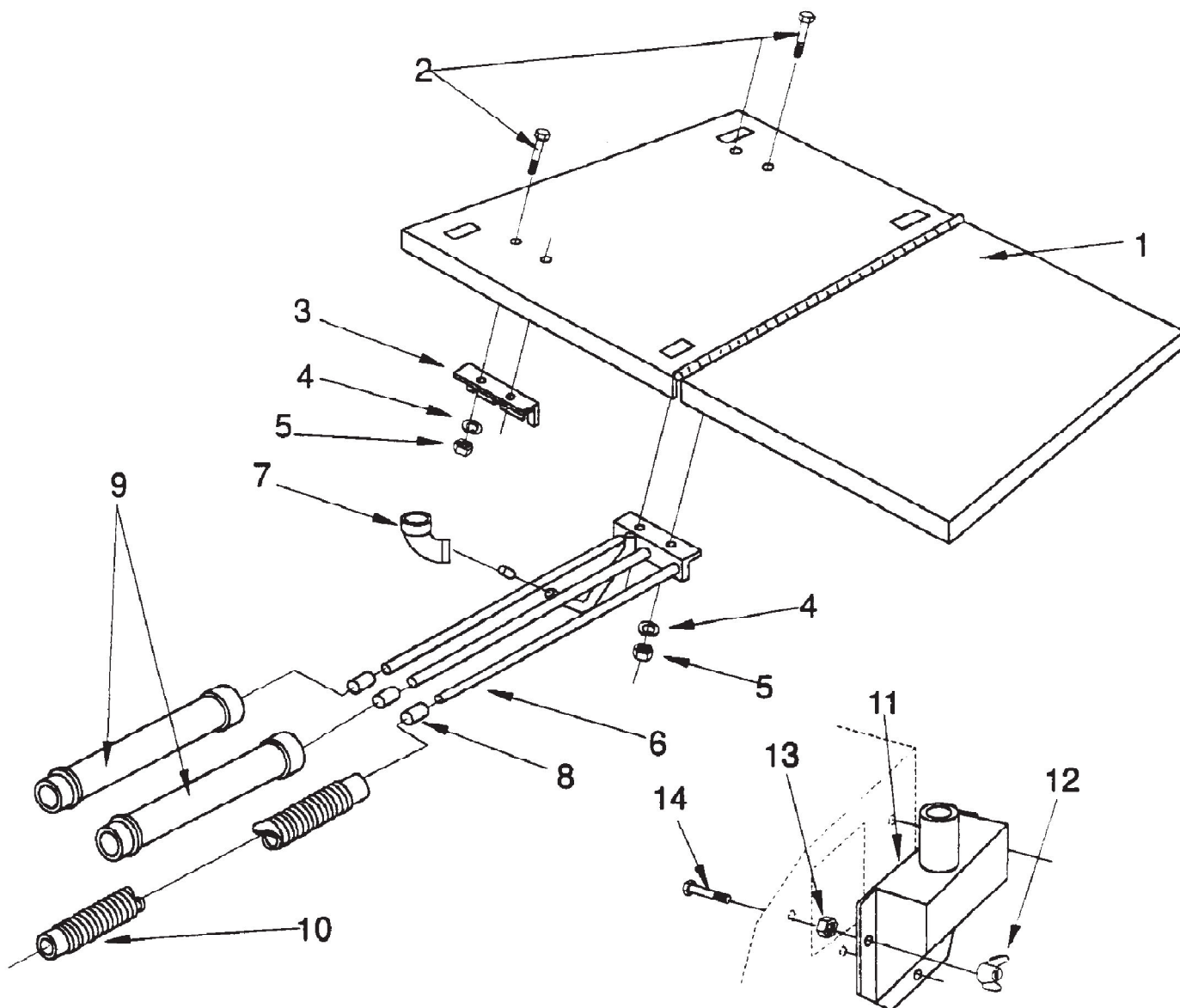
Referenznummer	Artikelnummer	Menge	Description
1	8-48-00017	1	Auxiliary Manifold
2	2-00-04975	2	45ø Elbow
3	2-00-04892	1	90ø Elbow
4	2-00-04885	1	ORFS 90ø Elbow, 3/4-16 to 13/16-16
5	2-00-04596	2	Screw, 1/4-20 x 3.50
6	2-00-00518	2	Lock Washer, Helical Spring 1/4 Med
7	2-00-00594	2	Nut, Hex 1/4 - 20



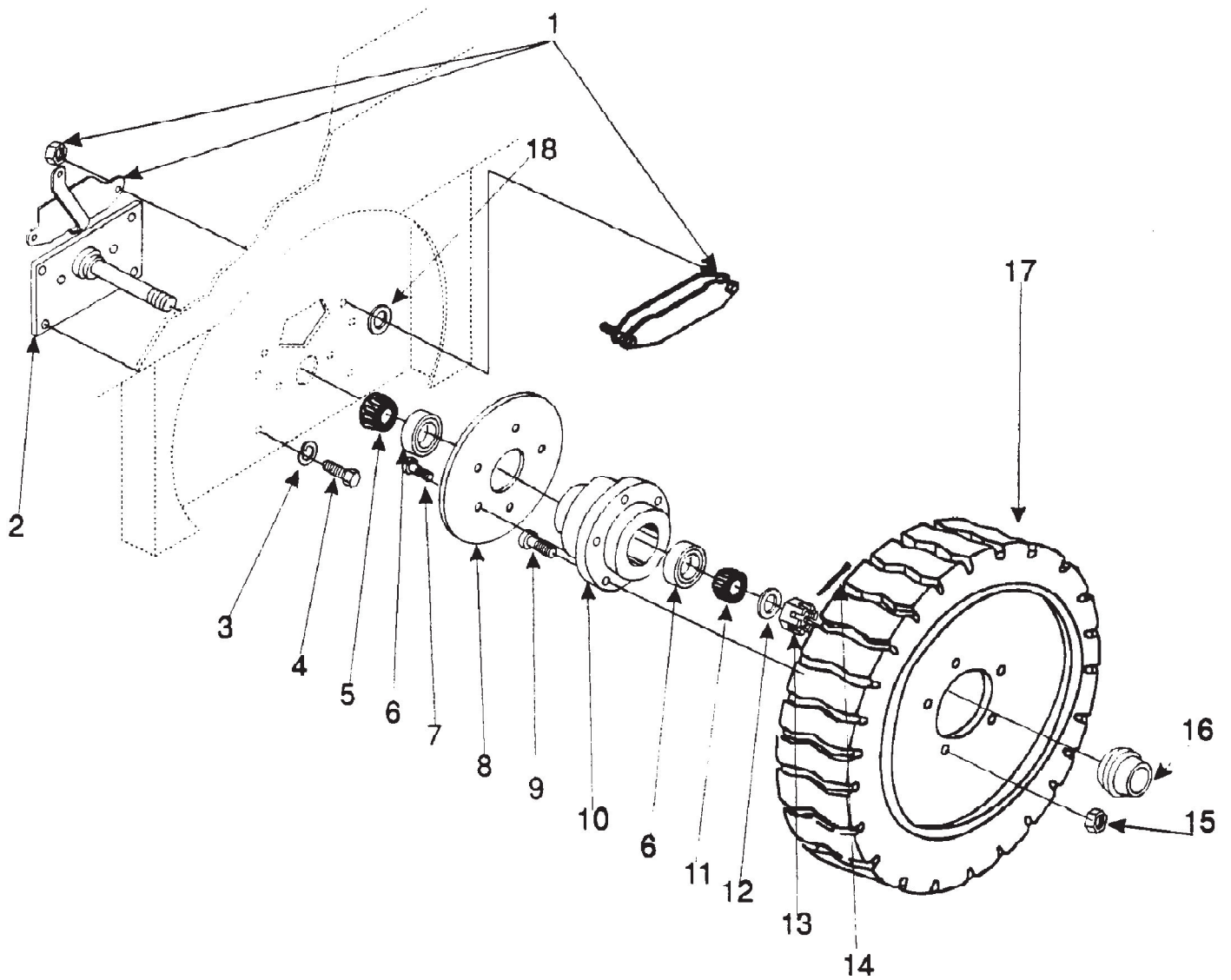
Referenznummer	Artikelnummer	Menge	Description
1	2-00-04928	1	ORFS Run Tee, 13/16-16
2	8-60-05022	1	Auxiliary Pump
	0880-404	1	Pump Assembly Kit Not Shown
3	8-60-05006-2	1	Main Pump
4	2-00-04920	1	ORFS 90° Elbow, 1 5/16-12 to 1 3/16-12
5	2-00-04957	1	ORFS Cap, #8 ORS
6	2-00-04921	1	ORFS 90° Elbow, 7/8-14 to 13/16-16



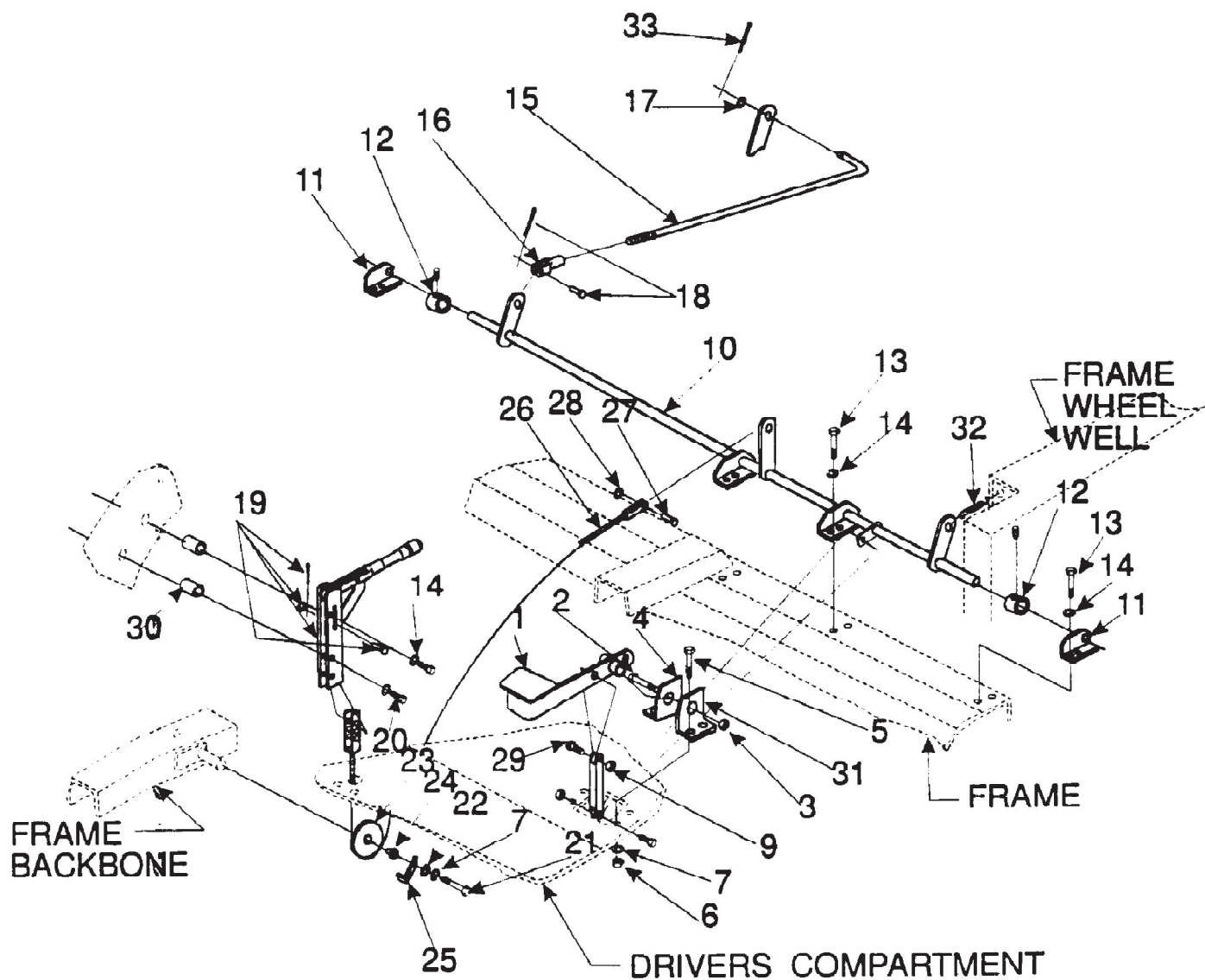
Referenznummer	Artikelnummer	Menge	Description
	0880-392		Back-up Alarm
1	8-08-00624	2	Nut, Hex MS #6-32 x .312 x .109
2	7-82-00009	1	Mechanical Switch
3	2-00-05060	2	Screw, #6-32 x 1.250 RHM
4	2-00-01499	2	Lock Washer, Helical Spring #6 Med
5	2-00-00455	2	Flat Washer, .375 x .156 x .046
6	2-00-04808	2	Terminal, #8 Screw
7	8-32-09009	1	Backup Alarm
8	2-00-04282	1	Terminal, .31 Ring
9	2-00-04578	1	Terminal, Male Bullet
10	2-00-00213	2	Screw, 5/16-18 x .625 HHC
11	2-00-02303	2	Lock Washer, 5/16 Int.
12	2-00-00409	2	Flat Washer, .687 x .343 x .062
13	2-00-00585	2	Nut, Hex 5/16-18 x .500 x .265
14	8-11-00044	1	Boot
15	8-64-00008	1	Circuit Breaker
16	8-11-00015	1	Terminal
17	7-35-00013	1	Insulation



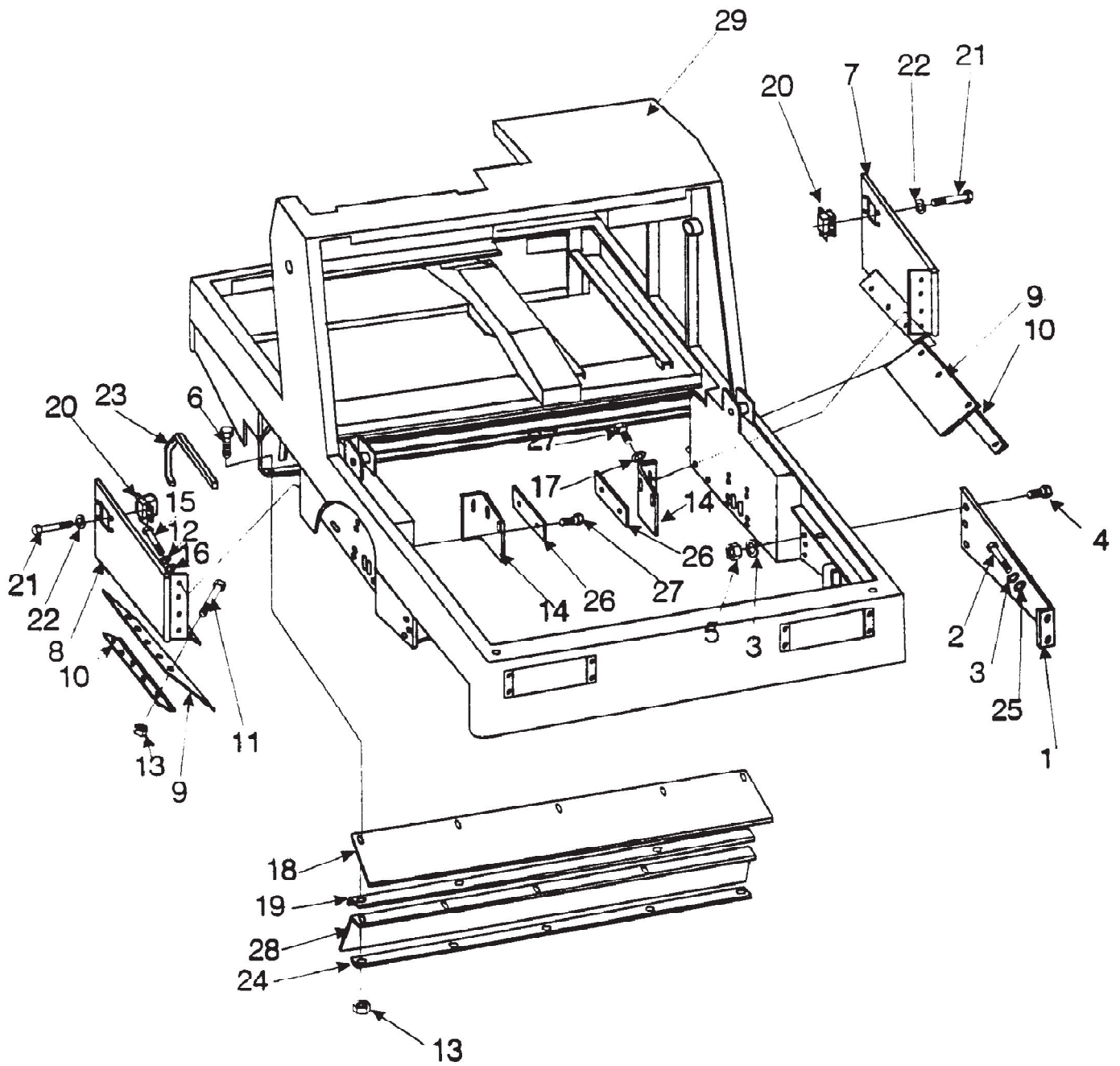
Referenznummer	Artikelnummer	Menge	Description
1	8-16-07304	Ref	Hopper Lid
2	2-00-01481	4	Screw, 5/16-18 x 1.000 RHM
3	8-08-00622	1	Latch Bracket
4	2-00-00530	4	Lock Washer, Helical Spring 5/16 Med
5	2-00-00585	4	Nut, Hex 5/16-18 x .500 x .265
6	8-08-00670	1	Blower Component Storage Bracket
7	8-21-07019	1	90° Elbow Adapter
8	8-11-00034	4	Cap
9	8-89-00002	2	Wand Section
10	8-33-02121	1	Hose
11	8-07-06018	1	Transition Box
12	2-00-00672	3	Wing Nut, 1/4-20
13	2-00-00594	3	Nut, Hex 1/4-20 x .437 x .218
14	2-00-02706	3	Screw, 1/4-20 x 1.000 HHM



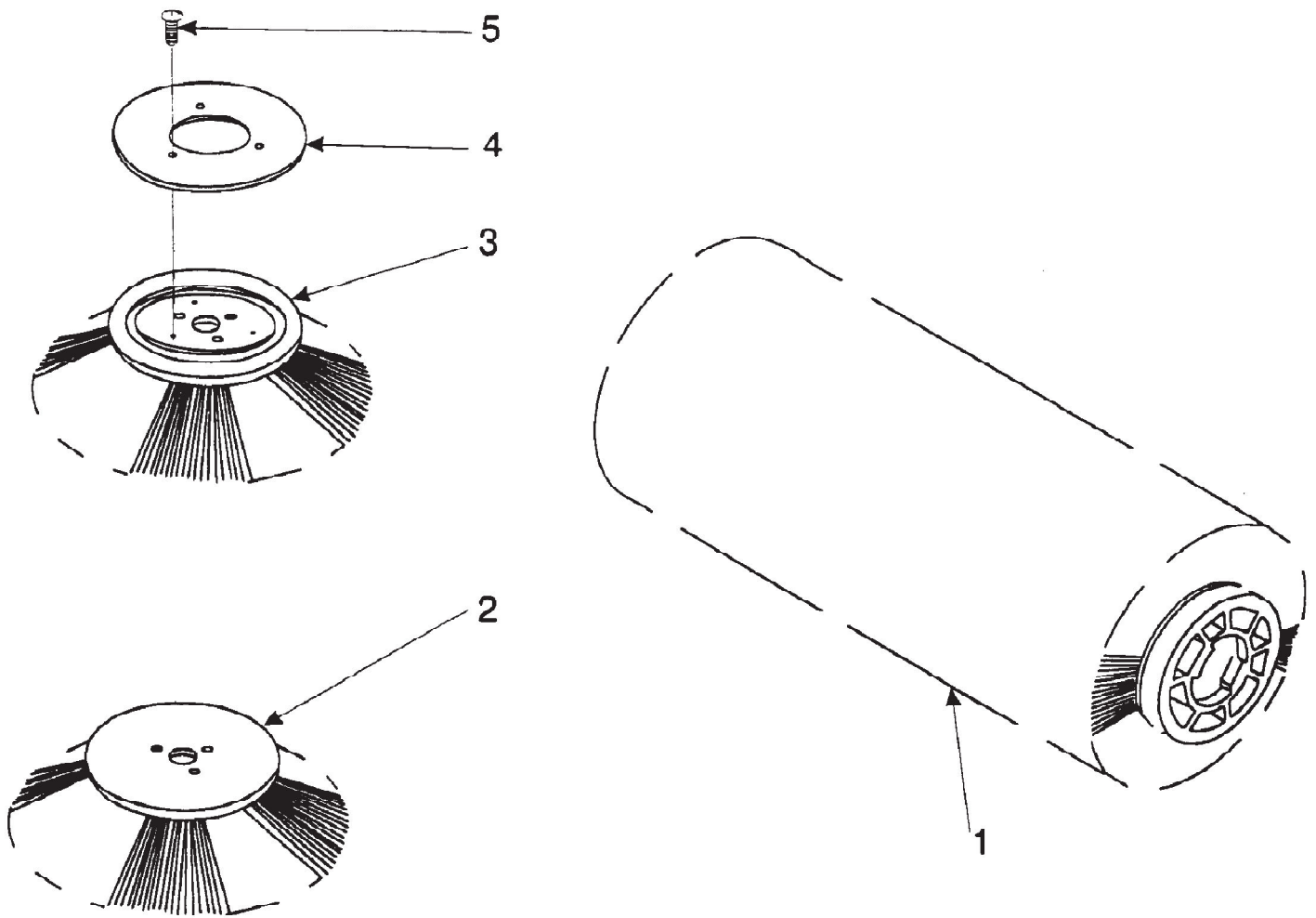
Referenznummer	Artikelnummer	Menge	Description
1	7-08-02006	2	Brake Caliper Assembly Weldment
2	7-03-09007	2	Stub Axle Weldment
3	2-00-02312	12	Lock Washer, Helical Spring 1/2 Med
4	2-00-02689	12	Screw, 1/2-20 x 1.000 HHC
5	2-00-02079	2	Roller Bearing, 2.328 x 1.250 x .703
6	2-00-04621	4	Roller Bearing, Cup Only
7	2-00-03051	10	Screw, 1/4-20 x .750 HSHC
8	7-08-02007	2	Brake Disc
9	8-80-05036	10	Stud, 1/2-20 x 1.56
10	7-33-09027	2	Front Wheel Hub
11	2-00-04622	2	Roller Bearing, Cone
12	2-95-01977	2	Flat Washer, 1.062 x 2.00
13	2-00-05026	2	Nut, Hex 1 - 14 UNF Slotted
14	2-00-02436	2	Cotter Pin, .187 x 1.500
15	8-23-03065	10	Nut, Chamfered 1/2-20 x .80 x .62
16	8-11-00030	2	Dust Cap
17	8-89-08053	2	Molded Wheel
18	2-00-04953	2	Flat Washer, 0.6875 x .390



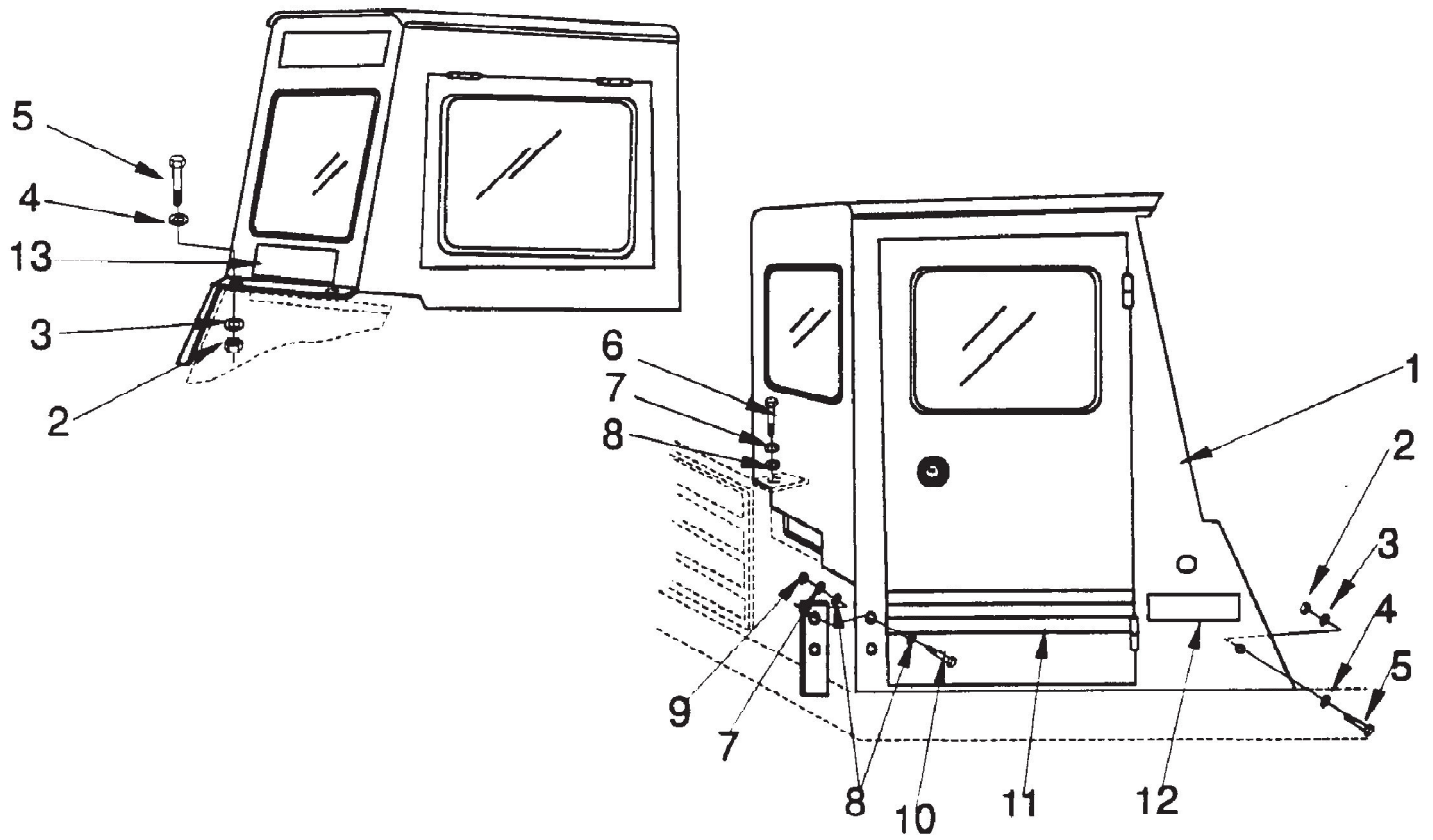
Referenznummer	Artikelnummer	Menge	Description
1	7-55-00011	1	Brake Pedal
2	2-00-02682	1	Screw, 1/2 - 13 x 2.750 HHC
3	2-00-04936	1	Nut, Hex Fiber Insert 1/2 - 13
4	8-08-00665	1	Brake Pedal Bracket (Left Hand)
5	2-00-00232	4	Screw, 3/8 - 16 x .750 HHC
6	2-00-02360	4	Nut, Hex 3/8 - 16 x .562 x .328
7	2-00-02310	5	Lock Washer, Helical Spring 3/8 Med
8	8-42-05126	1	Extension Arm Linkage
9	2-95-04182	2	Nut, Hex Fiber Insert 3/8 - 16
10	8-70-05278	1	Brake Pedal Pivot Shaft
11	8-08-00571	2	Pivot Shaft Bracket
12	8-15-01003	2	Setscrew Collar, 1.125 x .750 x .562
13	2-00-00213	8	Screw, 5/16 - 18 x .625 HHC
14	2-00-00530	10	Lock Washer, Helical Spring 5/16 Med
15	8-66-00164	2	Pull Rod
16	8-14-01006	2	Clevis
17	2-00-03702	2	Flat Washer, 1/4
18	2-00-04909	2	Clevis Pin and Cotter Pin
19	7-41-05083	1	Parking Brake Lever
20	2-00-01770	2	Screw, 5/16-18 x 2.50 HHC
21	2-00-00234	1	Screw, 3/8 - 16 x 1.500 HHC
22	2-00-00402	1	Flat Washer, .750 x .390 x .093
23	8-60-00140	1	Pulley
24	8-09-01065	1	Pulley Bushing
25	8-08-00436	1	Cable Retainer
26	8-10-00032	1	Parking Cable
27	8-55-08083	1	Clevis Pin (Parking Brake)
28	2-00-00546	1	Retaining Ring, Ext. .312
29	2-00-00233	2	Screw, 3/8 - 16 x 1.000 HHC
30	8-75-01184	2	Spacer
31	8-08-00666	1	Brake Pedal Bracket (Right Hand)
32	8-76-00042	2	Spring
33	2-00-00771	2	Cotter Pin, .094 x .75



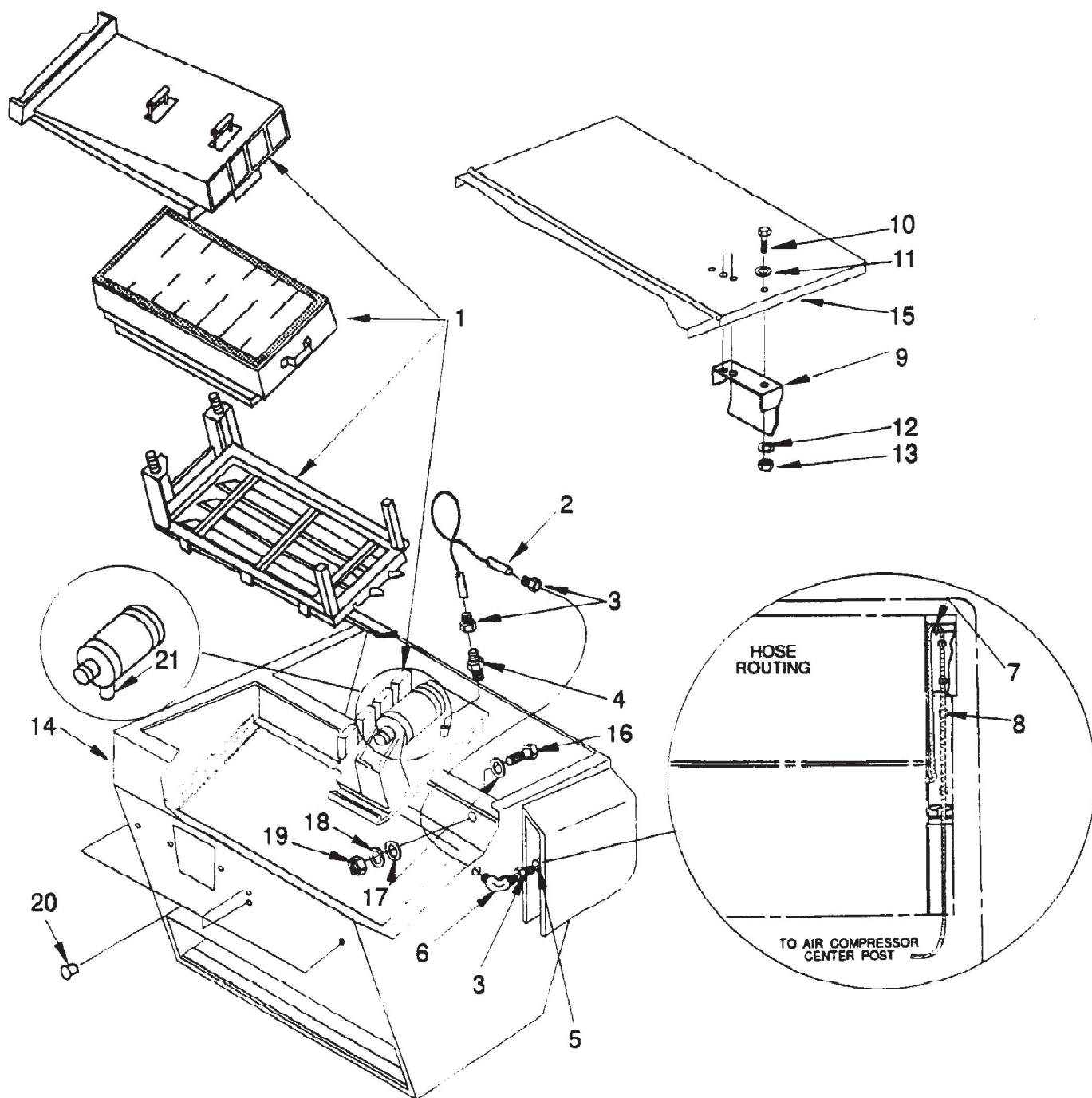
Referenznummer	Artikelnummer	Menge	Description
1	8-52-00155	1	Front Skirt
2	2-00-00233	2	Screw, 3/8-16 x 1.00 HHC
3	2-00-02310	5	Lock Washer, Helical Spring 3/8 Med
4	2-00-04667	3	Screw, 3/8-16 x 1.25 BHS
5	2-00-02360	3	Lock Washer, Hex 3/8-16
6	2-00-00193	5	Carriage Bolt, 1/4-20 x 1.500
7	8-19-08046	1	Broom Chamber Door (L.H.)
8	8-19-08045	1	Broom Chamber Door (R.H.)
9	8-25-08169	2	Broom Chamber Door Flap
10	8-58-05260	2	Broom Door Flap Clamping Plate
11	2-00-02196	6	Carriage Bolt, 1/4-20 x 1.00
12	2-00-00518	6	Lock Washer, Helical Spring 1/4 Med
13	2-00-01752	11	Nut, Fiber 1/4-20 Hex
14	8-25-08171	2	Broom Chamber/Hopper Flap
15	2-00-00221	6	Screw, 1/4-20 x 0.750 HHC
16	2-00-03702	6	Flat Washer, .625 x .281 x .062
17	2-00-01676	2	Flat Washer, 1.062 x .265 x .062
18	8-25-08166	1	Flap-Rear Broom
19	8-18-03013	1	Broom Flap Deflector (Rear)
20	8-41-00032	2	Broom Door Latch
21	2-00-01081	8	Screw, #8-32 x .500 T/C RH
22	2-00-00529	8	Lock Washer, Helical Spring #8 Med
23	8-68-05072	2	Broom Chamber Seal
24	8-58-05220	1	Plate-Broom Flap Clamping
25	2-00-00402	2	Flat Washer, .750 x .390 x .093
26	8-79-00122	2	Broom Chamber/Hopper Flap Strap
27	2-00-04880	6	Screw, 1/4-20 x .750
28	8-25-08147	1	Rear Broom Flap
29	8-27-07106	1	Frame



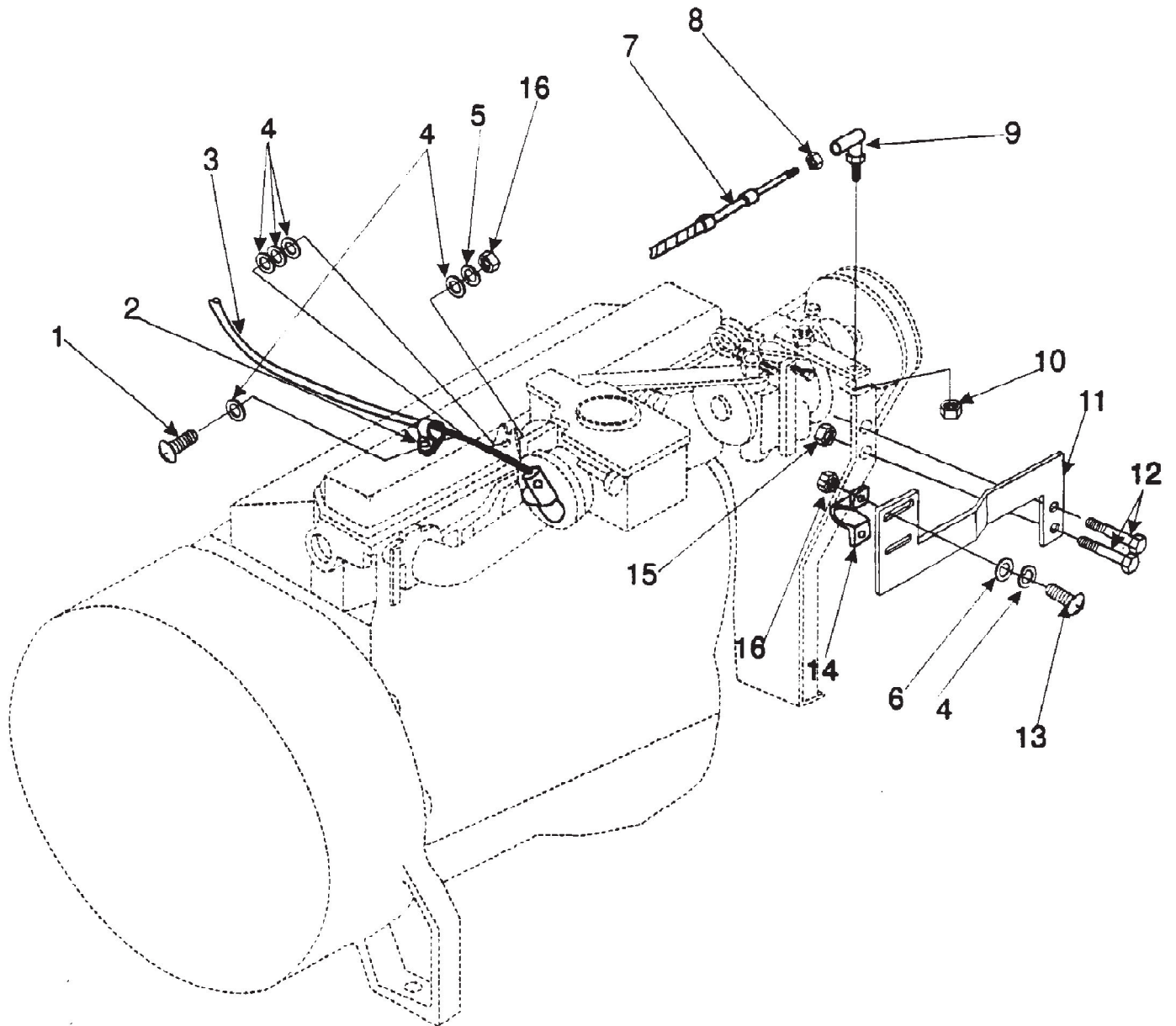
Referenznummer	Artikelnummer	Menge	Description
1	8-08-03167	1	Proex and Wire
1	8-08-03168	1	Proex
1	8-08-03171	1	Natural Fiber and Wire
1	8-08-03172	1	Natural Fiber
1	8-08-03173	1	Nylon
1	8-08-03174	1	Crimped Wire
1	8-08-03175	1	Nylon (Herringbone)
1	8-08-03187	1	Nylon, High Density
1	8-08-03188	1	Fiber, High Density
1	8-08-03189	1	Fiber and Wire, High Density
2	8-08-03212	1	Black Prolene
2	8-08-03211	1	Nylon
3	8-08-03199	1	Wire Broom
4	8-58-05248	1	Plate
5	2-00-04121	3	Screw, #10-13 x .750 RHW



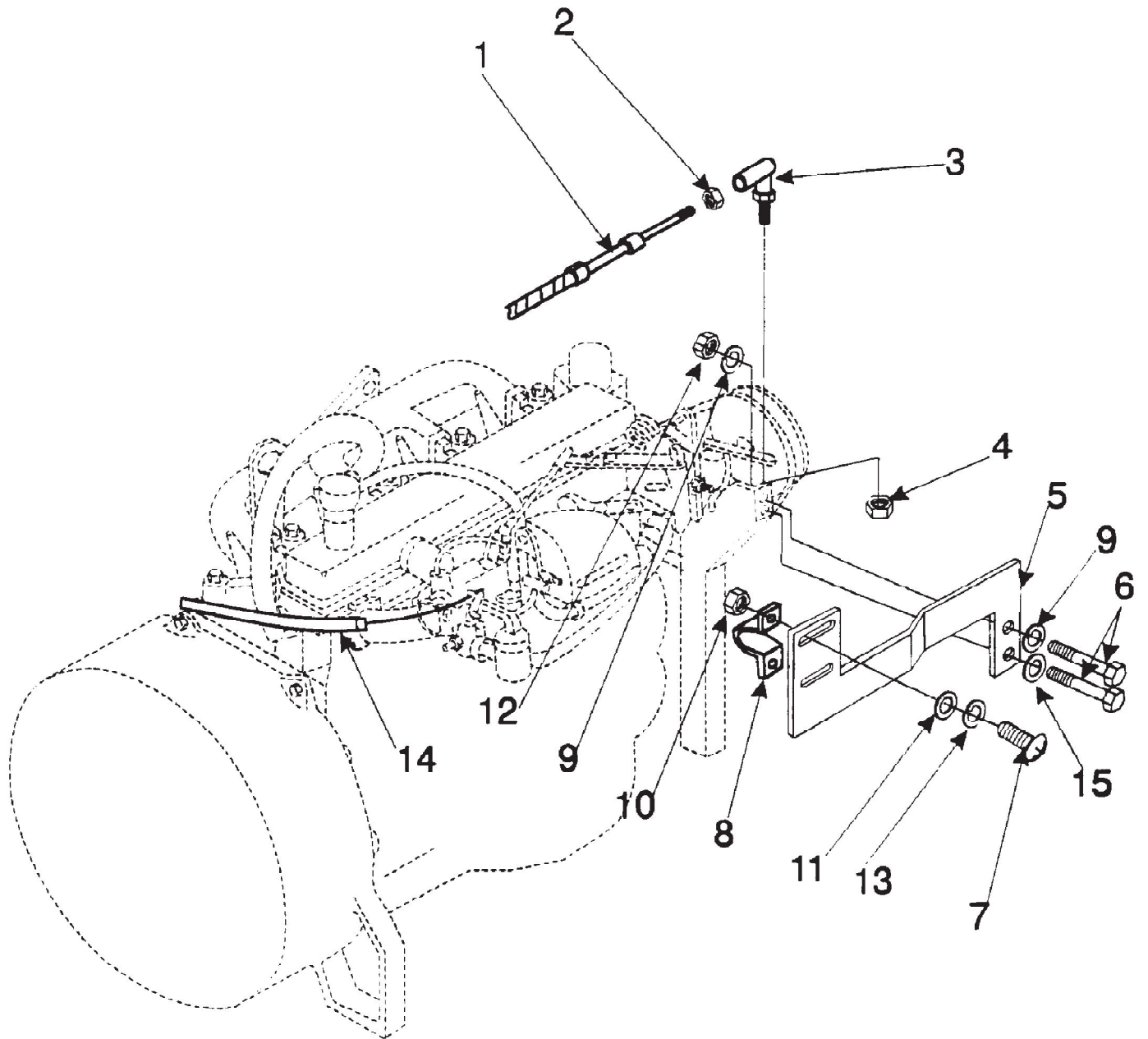
Referenznummer	Artikelnummer	Menge	Description
1	0880-414	1	Cab
1	0880-415	1	Low Cab
2	2-00-02360	3	Nut, Hex 3/8-16 x .562 x .328
3	2-00-02310	3	Lock Washer, Helical Spring 3/8 Med
4	2-00-00402	3	Flat Washer, .750 x .390 x .093
5	2-00-00233	3	Screw, 3/8-16 x 1.000 HHC
6	2-00-01254	1	Screw, 1/2-13 x 1.500 HHC
7	2-00-02312	3	Lock Washer, Helical Spring 1/2 Med
8	2-00-00405	5	Flat Washer, 1.062 x .531 x .093
9	2-00-00596	2	Nut, Hex 1/2-13 x .750 x .437
10	2-00-02618	2	Screw, 1/2-13 x 3.500 HHC
11	8-18-00225	1	Bulk Tape 3 ft
12	8-18-00353	1	Decal, 2260
12	8-18-00354	1	Decal, 2260XP
13	8-18-00280	1	Decal



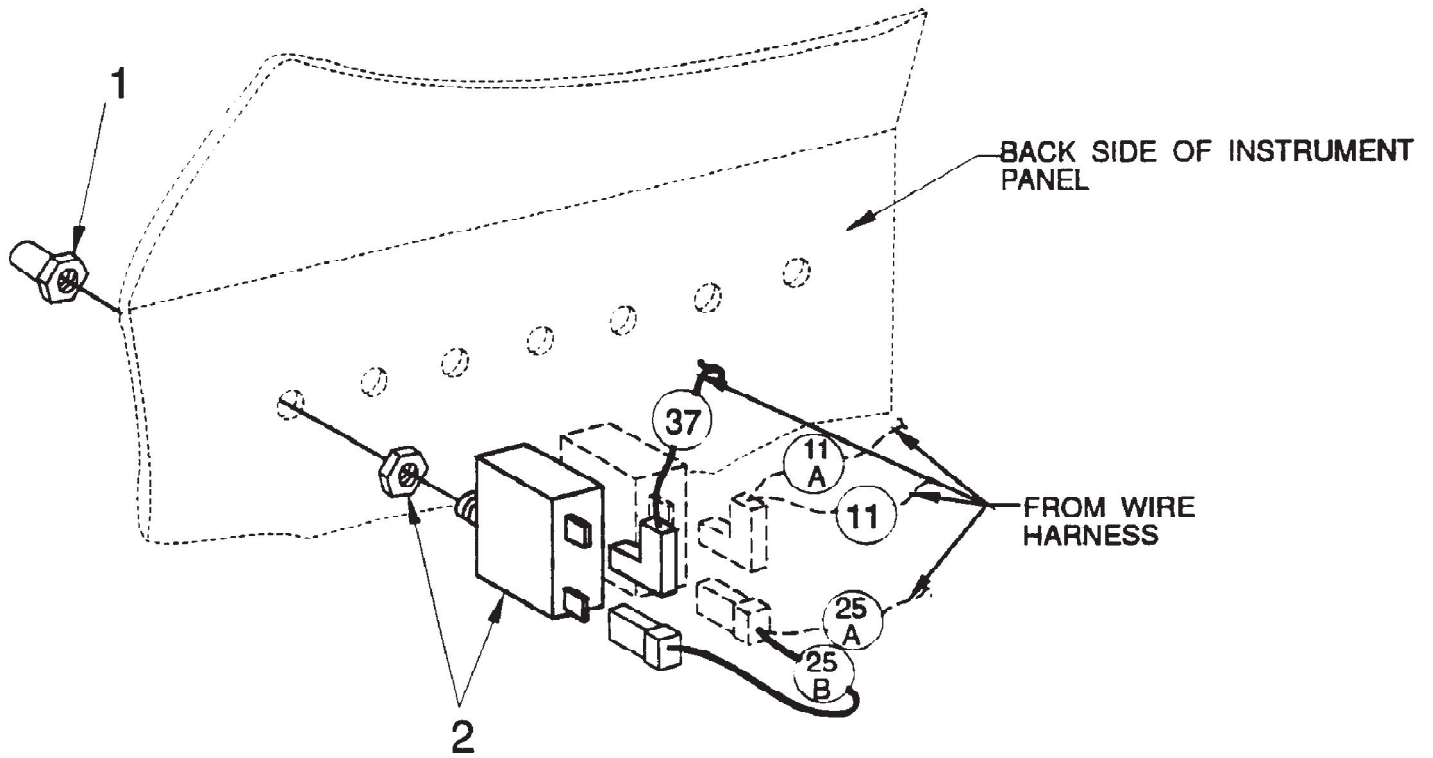
Referenznummer	Artikelnummer	Menge	Description
1	0880-422	1	CDC Filter Assembly
	8-24-04113	1	CDC Hopper Filter
2	8-33-02239	1	Hose
3	2-00-04856	3	Hose Fitting Barbed, F 37ø JIC Swivel 9/16-18
4	2-00-05001	1	37ø JIC Adapter, 9/16-18 / 3/8-18
5	8-33-02239	1	Hose
6	2-00-04857	1	37ø JIC 90ø Bulkhead Union El, 9/16-18
7	2-00-04345	1	Ty-Rap
8	7-13-07096	4	Clamp
9	0880-431	4	Debris Guard Assembly
10		15	Screw, 3/8-16 x 1.000 HHC Part of Debris Guard Assembly 0880-431
11		15	Flat Washer, 3/8 Part of Debris Guard Assembly 0880-431
12		15	Lock Washer, 3/8 Part of Debris Guard Assembly 0880-431
13		15	Lock Nut, Hex 3/8-16 Part of Debris Guard Assembly 0880-431
14	8-32-06082	Ref	Hopper
15	8-16-07304	Ref	Hopper Lid
16	2-00-00239	1	Screw, 1/2-13 x 1.000 HHC
17	2-00-00405	2	Flat Washer, 1.062 x .531 x .093
18	2-00-02312	1	Lock Washer, Helical Spring 1/2 Med
19	2-00-02371	1	Nut, Hex Jam 1/2-13 x .750 x .312
20	2-00-04757	4	Plug Button, .375
21	8-70-00069	1	Stepper Operator Valve Assembly
	0880-538		CDC Option for FORD 413 Engine
	0880-539		CDC Option for PERKINS Engine



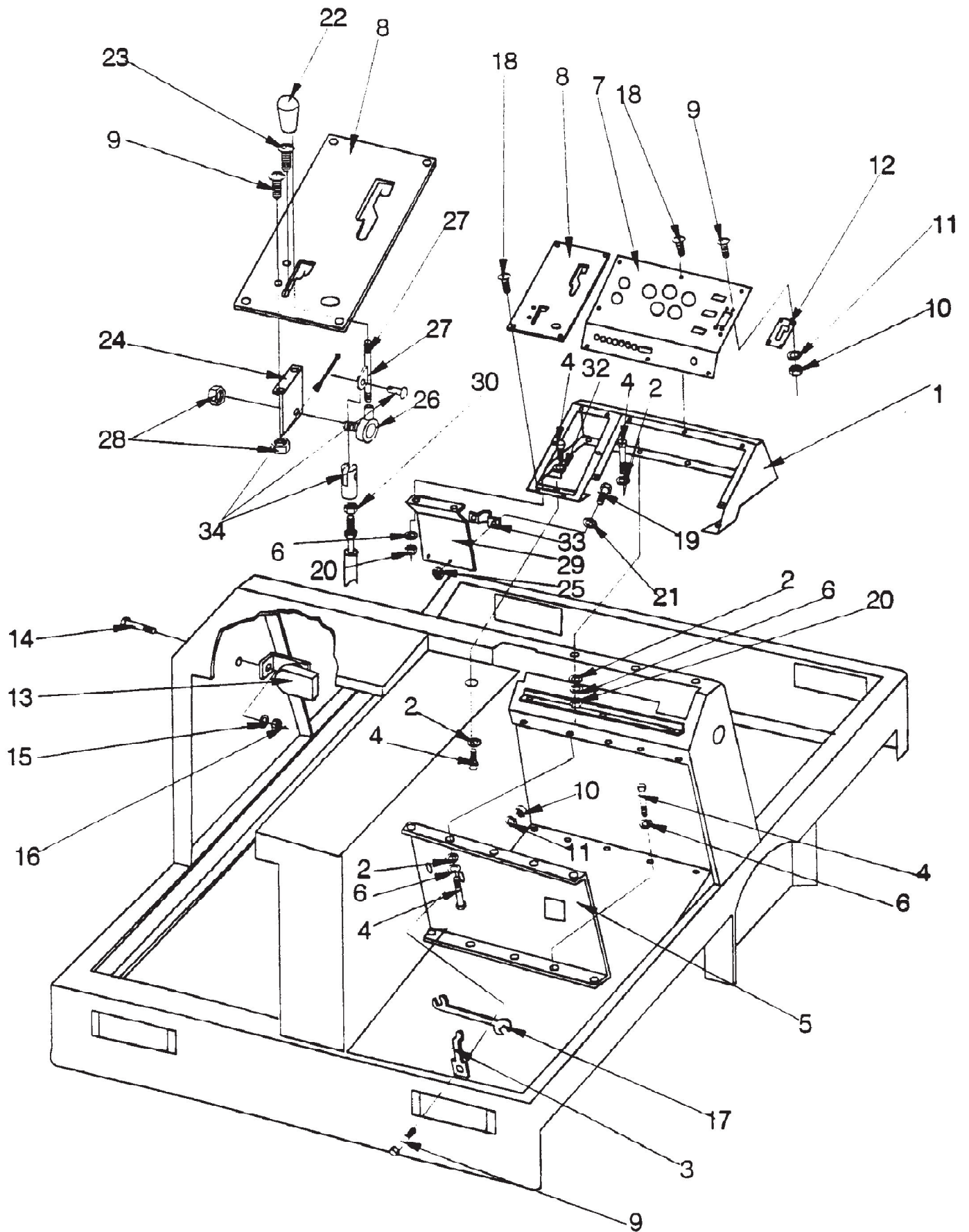
Referenznummer	Artikelnummer	Menge	Description
1	2-00-04795	1	Screw, #10-24 x .75 BHS
2	2-00-04250	1	Cable Clamp, .187
3	8-16-00021	1	Choke Cable
4	2-00-00426	7	Flat Washer, .500 x .218 x .062
5	2-00-00519	1	Lock Washer, Helical Spring #10 Med
6	2-00-02296	2	Lock Washer, #10 Int.
7	8-10-00033	1	Throttle Cable
8	2-00-00626	1	Nut, Hex MS #10-32 x .375 x .125
9	8-25-02036	1	Ball Joint Connector
10	2-00-00633	1	Nut, Hex Fiber Insert 1/4-28
11	8-08-00706	1	Throttle Cable Bracket
12	2-00-00233	2	Screw, 3/8 - 18 x 1.000 HHC
13	2-00-04794	2	Screw, #10-24 x .625 BHS
14	8-13-07094	1	Conduit Clamp
15	2-00-00643	2	Nut, Hex Fiber Insert 3/8-16
16			UNKNOWN



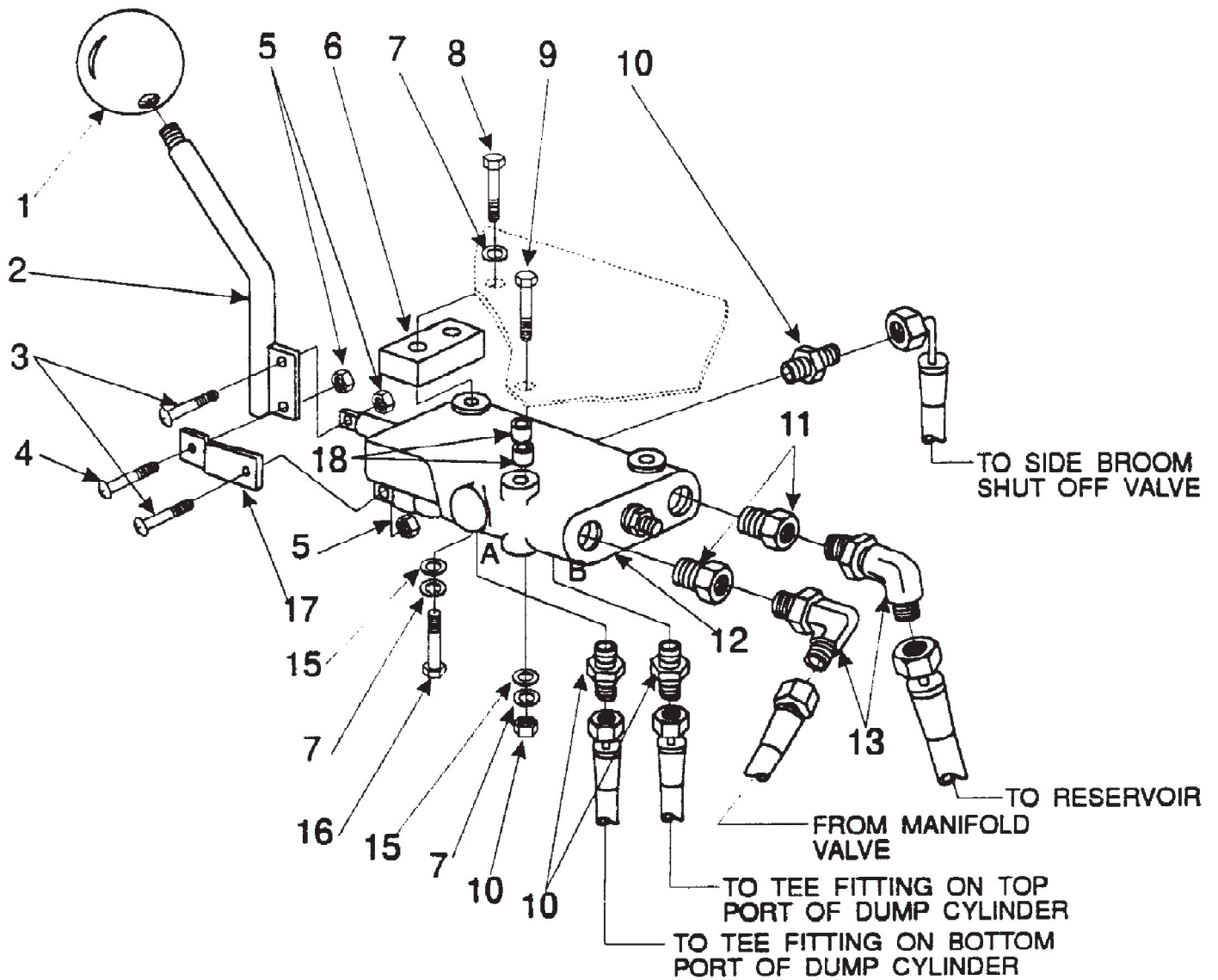
Referenznummer	Artikelnummer	Menge	Description
1	8-10-00033	1	Throttle Cable
2	2-00-00626	1	Nut, Hex MS #10-32 x .375 x .125
3	8-25-02036	1	Ball Joint Connector
4	2-00-00633	1	Nut, Hex Fiber Insert 1/4-28
5	8-08-00706	1	Throttle Cable Bracket
6	2-00-02708	2	Screw, 5/16 - 18 x 1.000 HHC
7	2-00-04794	2	Screw, #10-24 x .625 BHS
8	8-13-07094	1	Conduit Clamp
9	2-00-00530	2	Lock Washer, Helical Spring 5/16 Med
10	2-00-01246	1	Nut, Hex Fiber Insert #10-24
11	2-00-02296	2	Lock Washer, #10 Ext.
12	2-00-00585	1	Hex Nut, 5/16-18
13	2-00-00426	2	Flat Washer, .500 x .218 x .062
14	8-16-00021	1	Choke Cable
15	2-00-00409	1	Flat Washer, 5/16



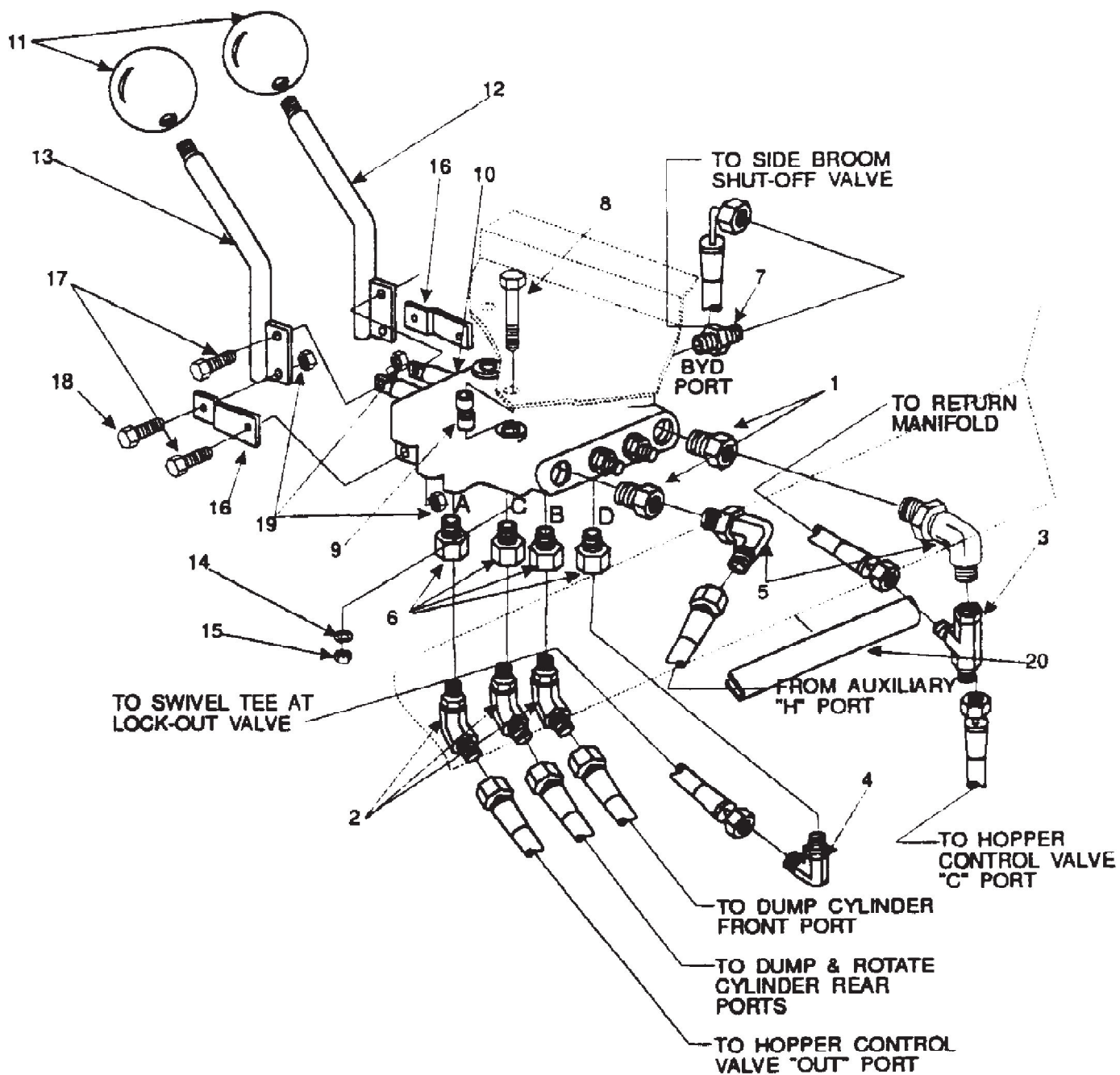
Referenznummer	Artikelnummer	Menge	Description
1	8-11-00044	1	Boot
2	8-64-00008	1	Circuit Breaker (15 AMP)



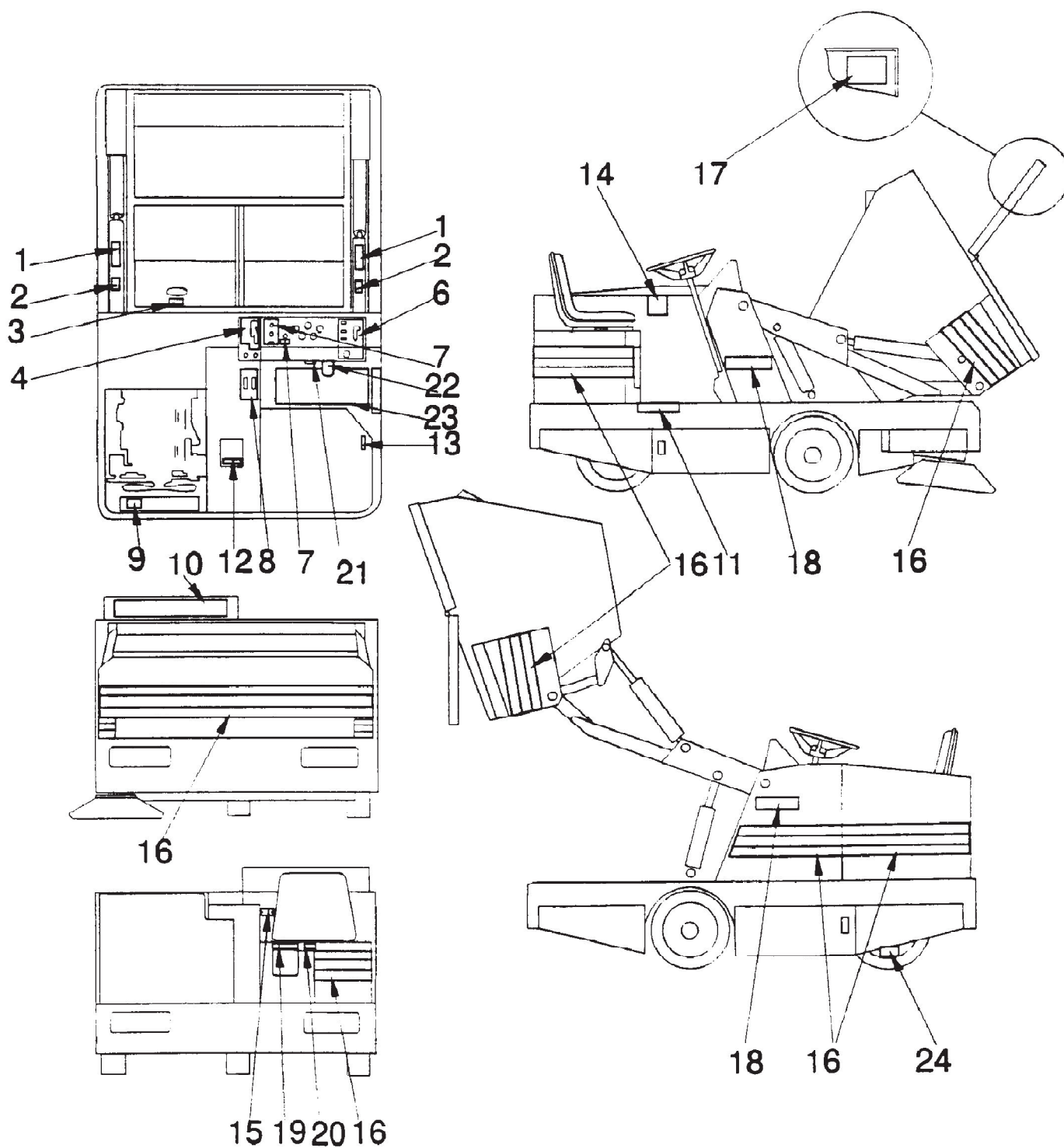
Referenznummer	Artikelnummer	Menge	Description
1	8-33-05111	1	Instrument Housing
2	2-00-00407	12	Flat Washer, .562 x.265 x .062
3	8-13-07068	2	Clip
4	2-00-00221	19	Screw, 1/4-20 x .750 HHC
5	8-52-00157	1	Kickboard Panel
6	2-00-00518	17	Lock Washer, Helical Spring 1/4 Med
7	8-58-05252	1	Face Plate-Instrument Compartment
8	8-58-05265	1	Face Plate-Main Broom Control
9	2-00-03061	3	Screw, #10-24 x .500 THM
10	2-00-00605	9	Nut, Hex MS #10-24 x .375 x .125
11	2-00-00519	9	Lock Washer, Helical Spring #10 Med
12	8-58-05222	1	Backing Plate-Brush Control Lever
13	8-32-09013	1	Horn
14	2-00-00208	1	Screw, 5/16-18 x .750 HHC
15	2-00-00530	1	Lock Washer, Helical Spring 5/16 Med
16	2-00-00585	1	Nut, Hex 5/16-18 x .500 x .265
17	2-00-00686	1	Wrench, 3/4-9/16
18	2-00-03466	13	Screw, #10-16 x .500 T/F RH
19	2-00-04794	2	Screw, #10-24 x .625
20	2-00-00594	8	Nut, Hex 1/4-20 x .437 x .218
21	2-00-00426	3	Flat Washer, .500 x .218 x .062
22	7-39-00017	1	Knob
23	2-00-00054	1	Screw, 1/4-20 x.500 RHM
24	8-08-00752	1	Bracket
25	2-00-01246	4	Nut, Hex Fiber Insert #10-24
26	7-25-02050	1	Rod End
27	8-41-05074	1	Throttle Lever
28	2-00-00633	1	Nut, Hex Fiber 1/4-28
29	8-08-00735	1	Throttle Cable Bracket
30	2-00-04563	1	Screw, #10-24 x .625 x .375 SH
32	2-00-03702	2	Flat Washer, .625 x .281 x .062
33	8-13-07094	1	Clamp
34	7-14-07006	1	Clevis Assembly



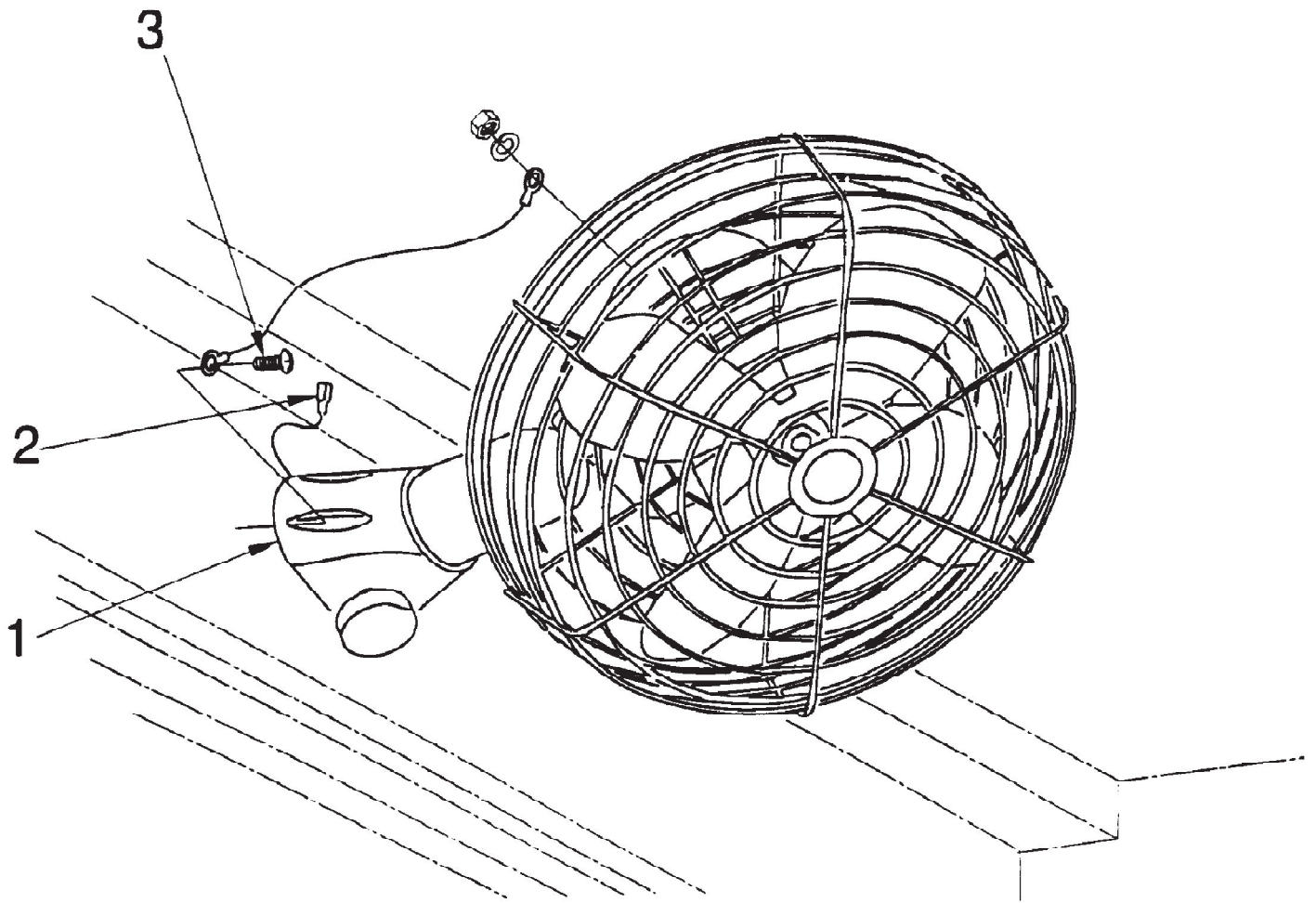
Referenznummer	Artikelnummer	Menge	Description
1	8-39-00002	1	Valve Lever Knob
2	8-41-05068	1	Control Valve Lever
3	2-00-04795	2	Screw, #10 - 24 x .750 BHS
4	2-00-04794	1	Screw, #10 - 24 x .625 BHS
5	2-00-01246	3	Nut, Hex Fiber Insert #10 - 24
6	8-75-01170	1	Spacer Block
7	2-00-00518	3	Lock Washer, Helical Spring 1/4 Med
8	2-00-02587	1	Screw, 1/4 - 20 x 1.250 HHM
9	2-00-01980	1	Screw, 1/4 - 20 x 2.500 HHC
10	2-00-04918	3	ORFS Connector, 7/16-18 to 9/16-18
11	2-00-04917	2	ORFS Boss Reducer, 9/16-18 to 7/16-20
12	8-88-00054	1	Control Valve
13	2-00-04892	2	ORFS 90° Elbow, 7/16-20 to 9/16-18
14	2-00-00594	1	Nut, Hex 1/4 - 20 x .437 x .218
15	2-00-03702	2	Flat Washer, .625 x .281 x .062
16	2-00-02589	1	Screw, 1/4 - 20 x 2.000 HHC
17	8-41-05067	1	Linkage
18	8-15-01008	2	Setscrew Collar, .625 x .312 x .343



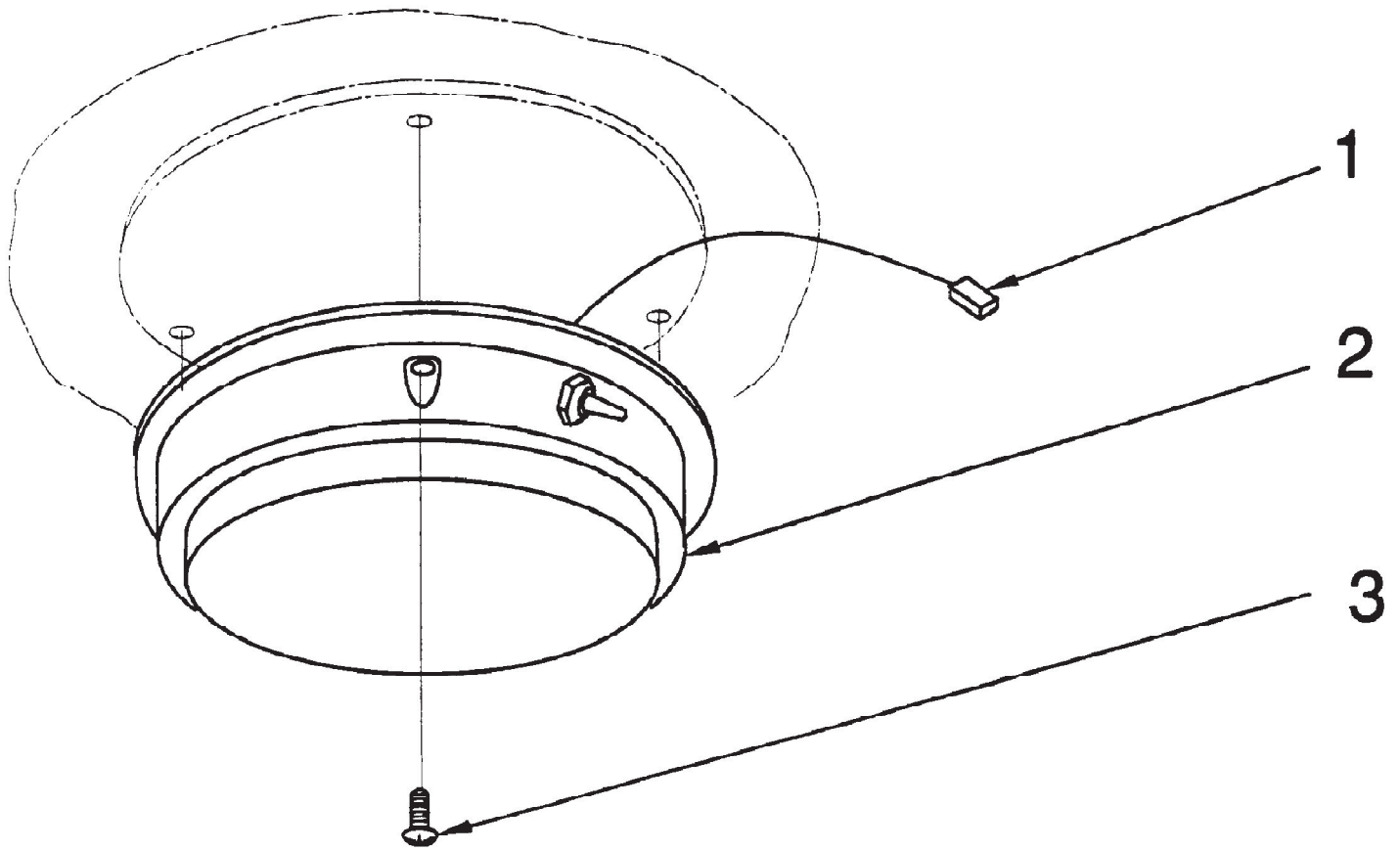
Referenznummer	Artikelnummer	Menge	Description
1	2-00-04932	2	Reducer, #8 SAE to #6 SAE
2	2-00-04976	2	45ø Elbow, #4 SAE to #4 ORS
3	2-00-05162	1	Swivel Tee, #4 ORS
4	2-00-04892	2	ORFS 90ø Elbow, #4 SAE to #4 ORS
5	2-00-04926	2	90ø Elbow, #6 SAE to #4 ORS
6	2-00-04917	4	ORFS Boss Reducer, #6 SAE to #4 SAE
7	2-00-04918	2	ORFS Connector, #6 SAE to #4 ORS
8	2-00-01980	2	Screw, 1/4-20 x 2.500 HHC
9	8-15-01008	4	Setscrew Collar, .625 x .312 x .343
10	8-88-00052	1	Control Valve
11	8-39-00002	2	Valve Lever Knob
12	8-41-05066	1	Control Valve Lever (L.H.)
13	8-41-05068	1	Control Valve Lever (R.H.)
14	2-00-00518	2	Lock Washer, Helical Spring 1/4 Med
15	2-00-00594	2	Nut, Hex 1/4-20 x .437 x .218
16	8-41-05067	2	Linkage
17	2-00-04795	4	Screw, #10-24 x .750 BHS
18	2-00-04794	2	Screw, #10-24 x .625 BHS
19	2-00-01246	6	Nut, Hex Fiber Insert #10-24
20	7-21-04031	1	Edging



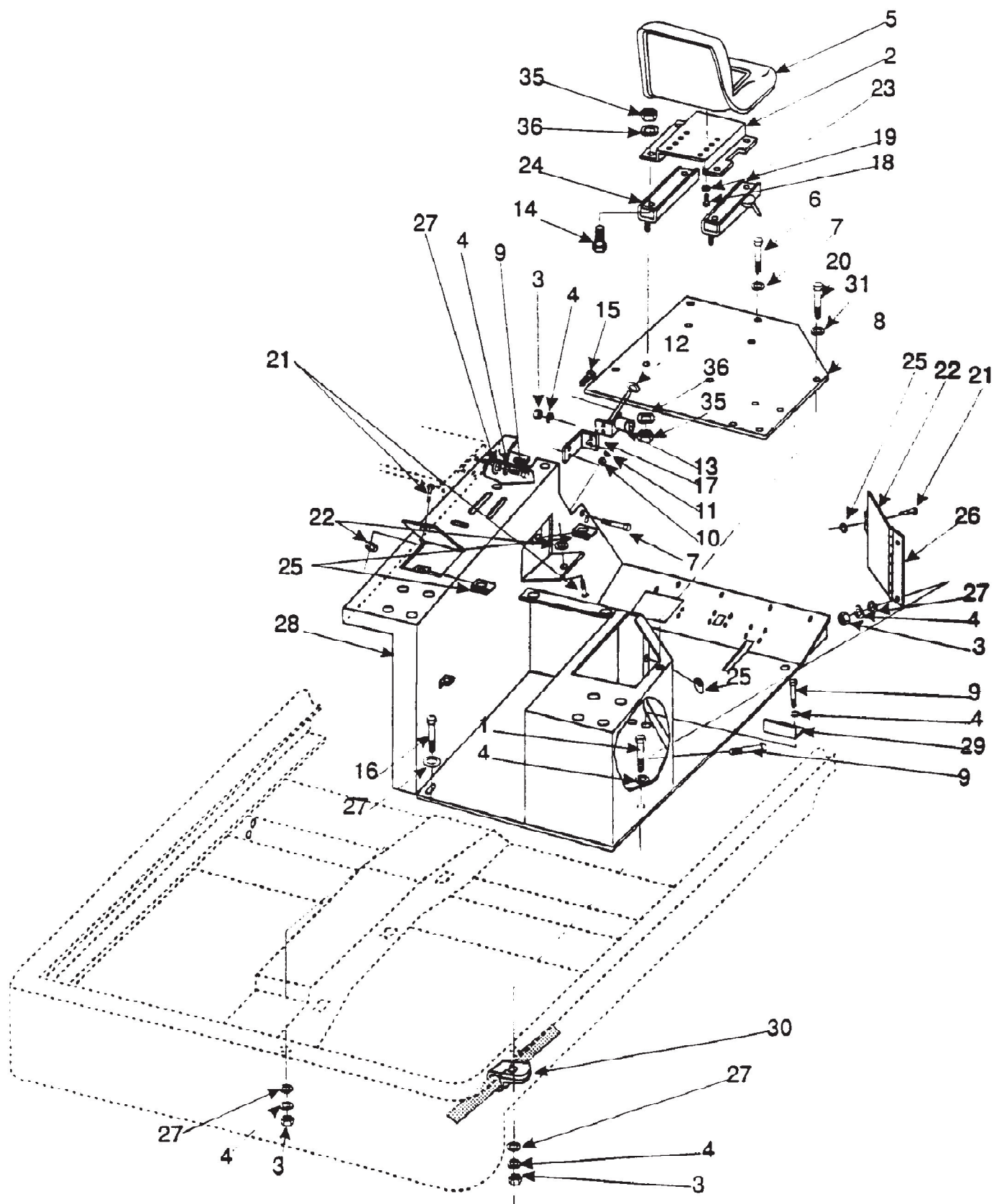
Referenznummer	Artikelnummer	Menge	Description
1	8-18-00314	2	Decal, Service Precautions
2	8-18-00305	2	Decal, Pinch Point
3	8-18-00074	1	Decal, Warning Fan
4	8-18-00332	1	Decal, Main Broom
6	8-18-00315	1	Decal, Instrument Panel-Ignition
7	8-18-00317	1	Decal, Instrument Panel-Horn
8	8-18-00316	1	Decal, Hopper Controls
9	8-18-00307	1	Decal, Warning-Fan & Belts
10	8-18-00347	1	Decal, Clarke/American-Lincoln
11	7-50-05132	1	Pad, Frame Edge
12	8-18-00306	1	Decal, Hydraulic Fluid Only
13	8-18-00313	1	Decal, Seat Adjustment
14	8-18-00272	1	Decal, General Warning
15		1	Serial and Name Plate
16	8-18-00225		6" Bulk Tape 13.75
17	8-18-00348	1	Decal, Maintenance Chart
18	8-18-00353	2	Decal, Model 2260
	8-18-00354	2	Decal, Model 2260XP
19	B-18-00310	1	Decal, Gasoline Fuel
	8-18-00311	1	Decal, Diesel Fuel
20	8-18-00277	1	Decal, Warning (Gasoline Only)
21	8-50-05050	1	Pad, Brake Pedal
22	8-50-05055	1	Pad, Forward/Reverse Pedal
23	8-50-05052	1	Pad, Drive Compartment Floor
24	7-18-00159	1	Decal, Pneumatic Wheel Warning
	0880-405	1	Gray Touch up Paint Not Shown



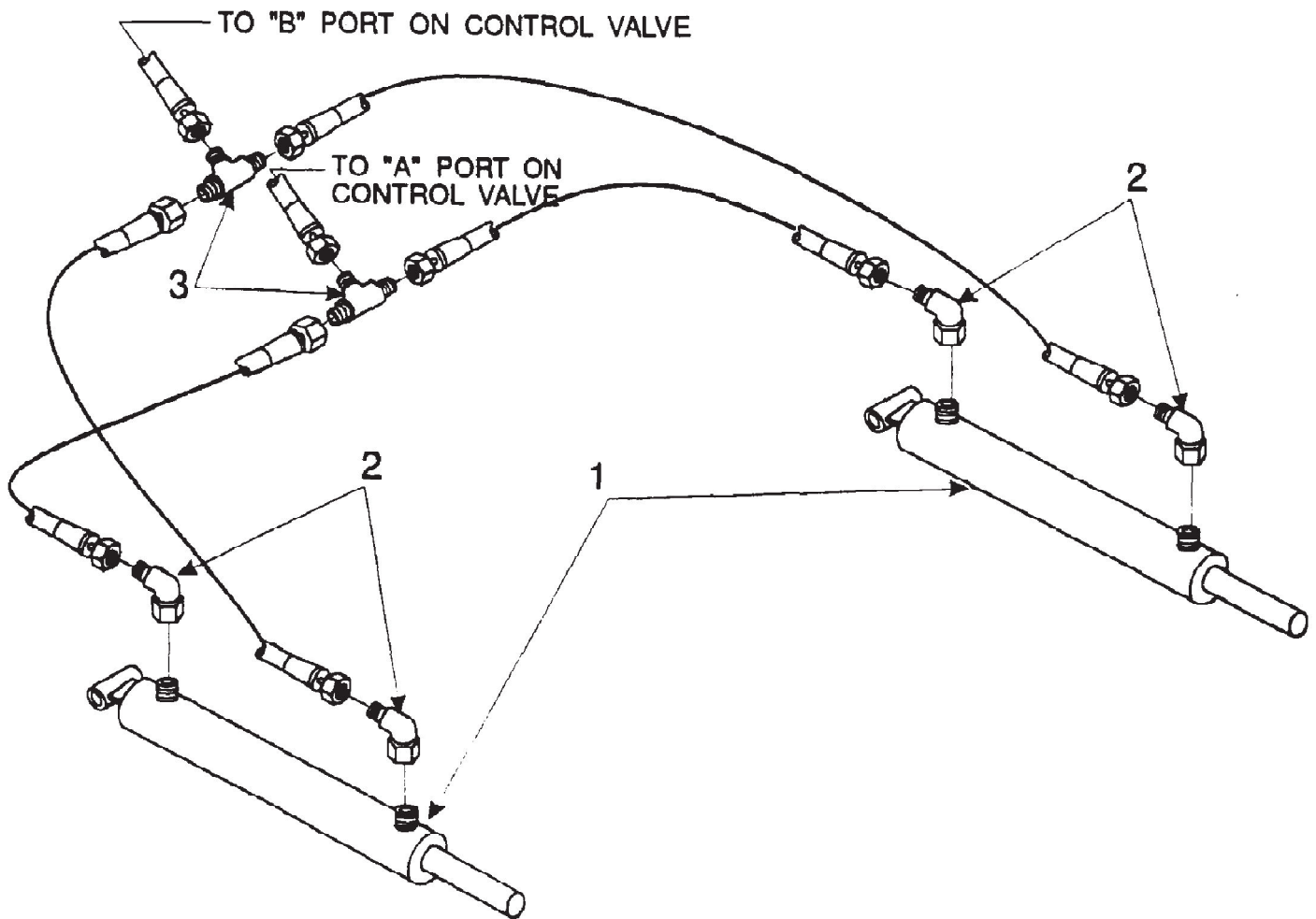
Referenznummer	Artikelnummer	Menge	Description
1	0880-413	1	Defroster Fan
2	8-11-00015	1	Connector
3	2-00-00049	4	Screw, #10 - 24 x .500 RHM



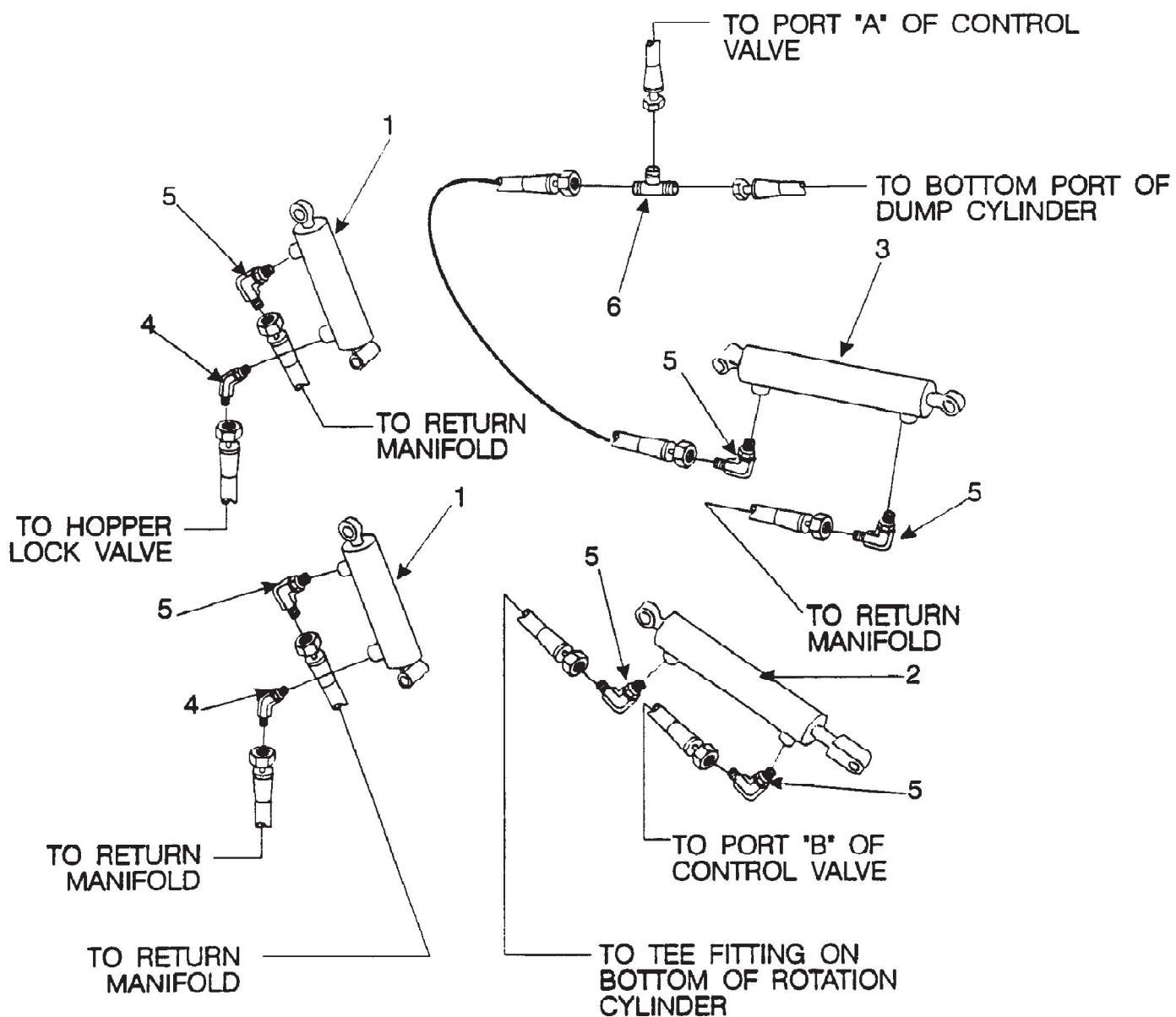
Referenznummer	Artikelnummer	Menge	Description
1	8-11-00015	1	Connector
2	8-40-05031	1	Dome Light
3	2-00-00044	3	Screw, #8 - 32 x .500 THM



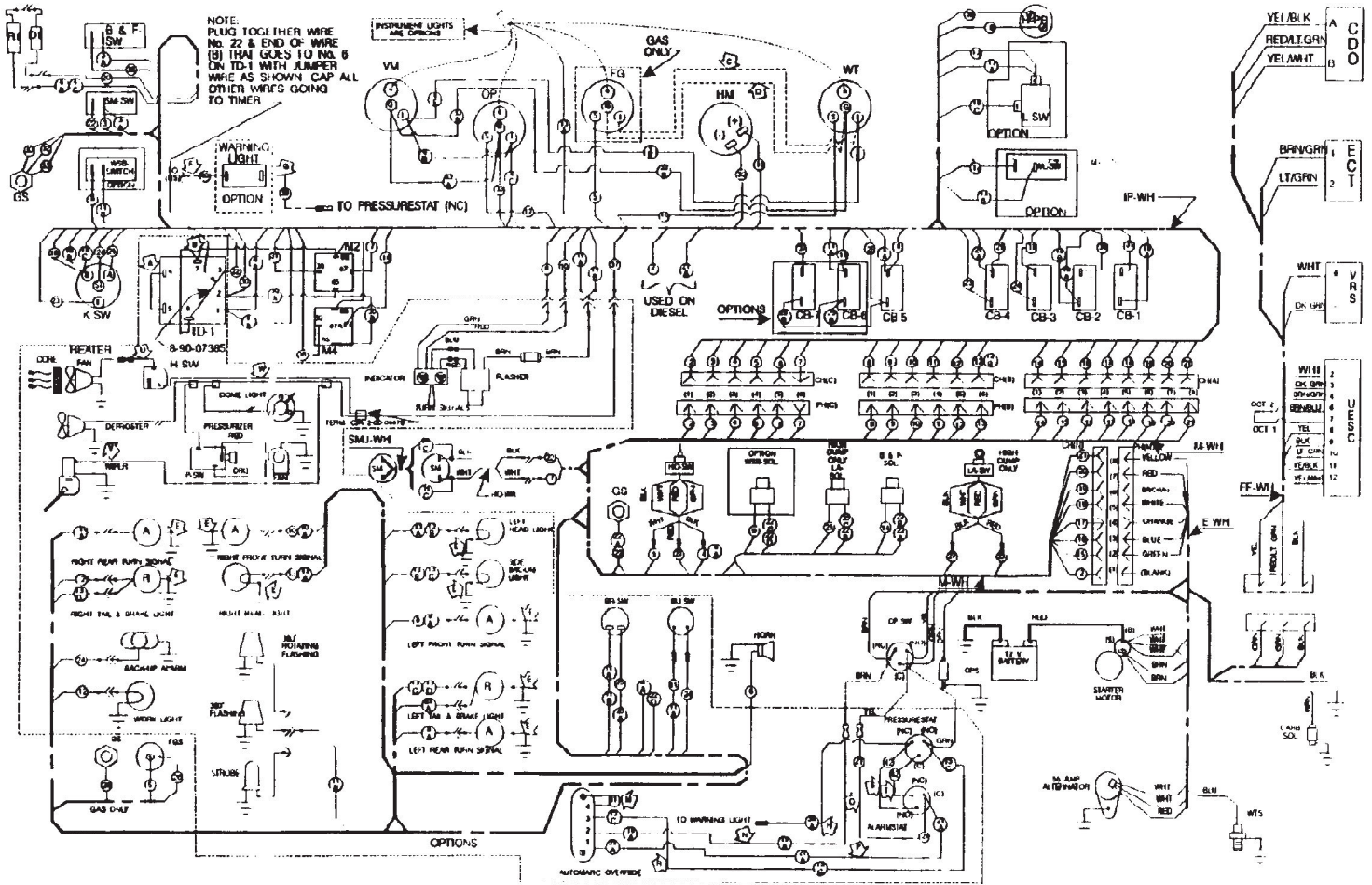
Referenznummer	Artikelnummer	Menge	Description
1	2-00-00222	1	Screw, 1/4-20 x 1.25 HHM
2	8-08-00672	1	Seat Bracket
3	2-00-00594	6	Nut, Hex 1/4-20 x .437 x .218
4	2-00-00518	23	Lock Washer, Helical Spring 1/4 Med
5	8-69-00003	1	Seat
6	2-00-00183	4	Screw, 1/4-20 x .750 THM
7	2-00-03575	2	Carriage Bolt, 1/4-20 x .750
8	8-52-00140	1	Seat Deck Panel
9	2-00-00221	14	Screw, 1/4-20 x .750 HHC
10	2-00-00605	4	Nut, Hex MS #10-24 x.375 x.125
11	2-00-00519	4	Lock Washer, Helical Spring #10 Med
12	2-00-00492	1	Grommet
13	8-82-00051	1	Switch
14	2-00-03569	4	Carriage Bolt, 5/16-18 x .750
15	2-00-03061	4	Screw, 10-24 x .500 THM
16	2-00-00205	1	Screw, 1/4-20 x 1.00 HHC
17	8-08-00741	1	Switch Bracket
18	2-00-00232	4	Screw, 3/8-16 x .750 HHC
19	2-00-02310	4	Lock Washer, Helical Spring 3/8 Med
20	2-00-00239	1	Screw, 1/2-13 x 1.000 HHC
21	7-23-03089	3	Screw, #17 (.312) x 1.000 CAPT. SL.
22	7-23-03087	3	Retainer Washer, .265 x .625 x .025
23	8-72-05003	1	Seat Adjuster Slide
24	8-72-05002	1	Seat Slide
25	8-23-03058	1	U-Clip
26	8-19-08042	1	Battery Access Door
27	2-00-00407	13	Flat Washer, .562 x .265 x .062
28	8-33-05113	1	Operator's Compartment
29	8-08-00588	1	Battery Hold Down Bracket
30	2-00-04602	1	Clamp
31	2-00-02312	1	Lock Washer, Helical Spring 1/2 Med
35			UNKNOWN
36			UNKNOWN

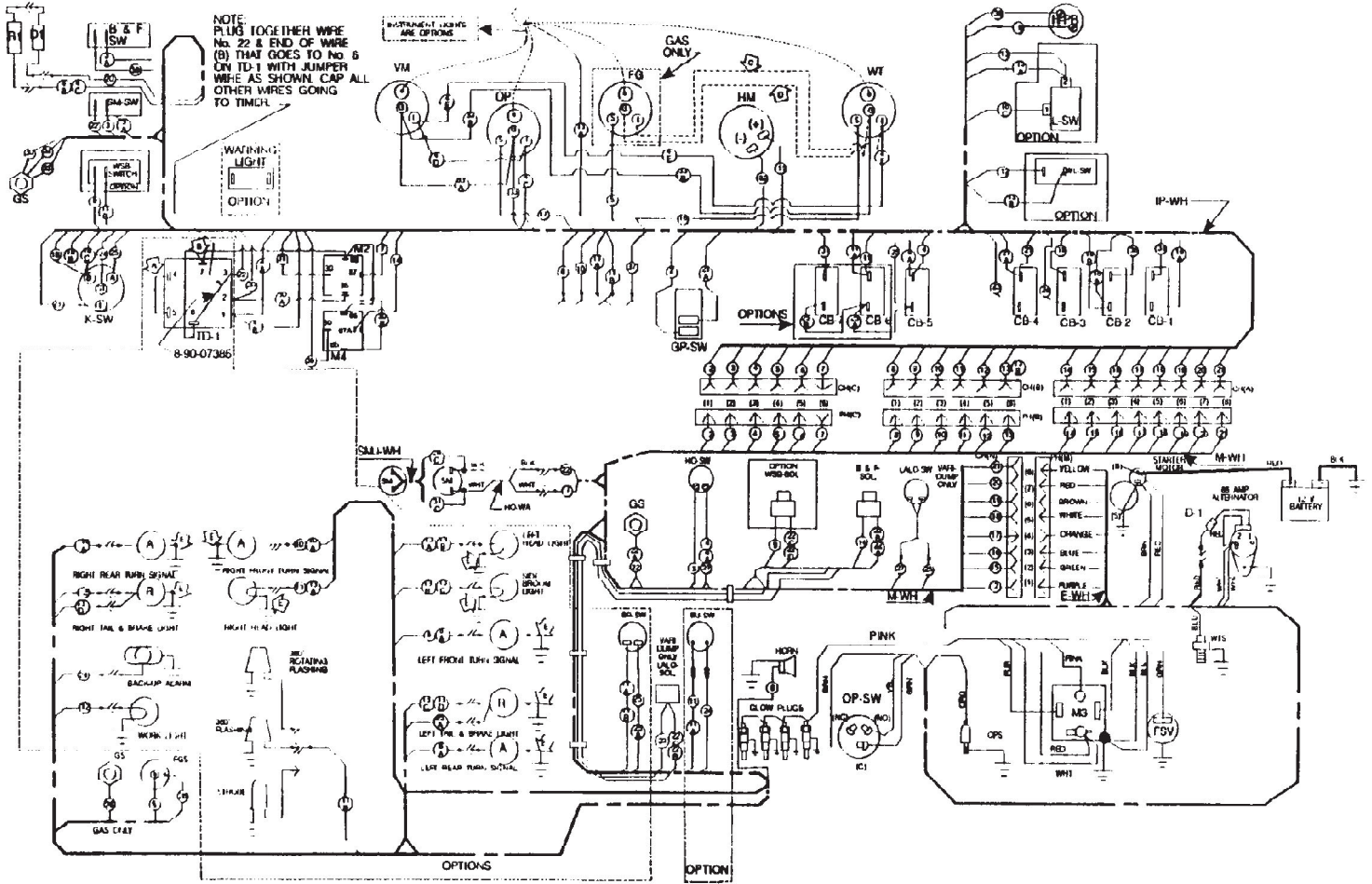


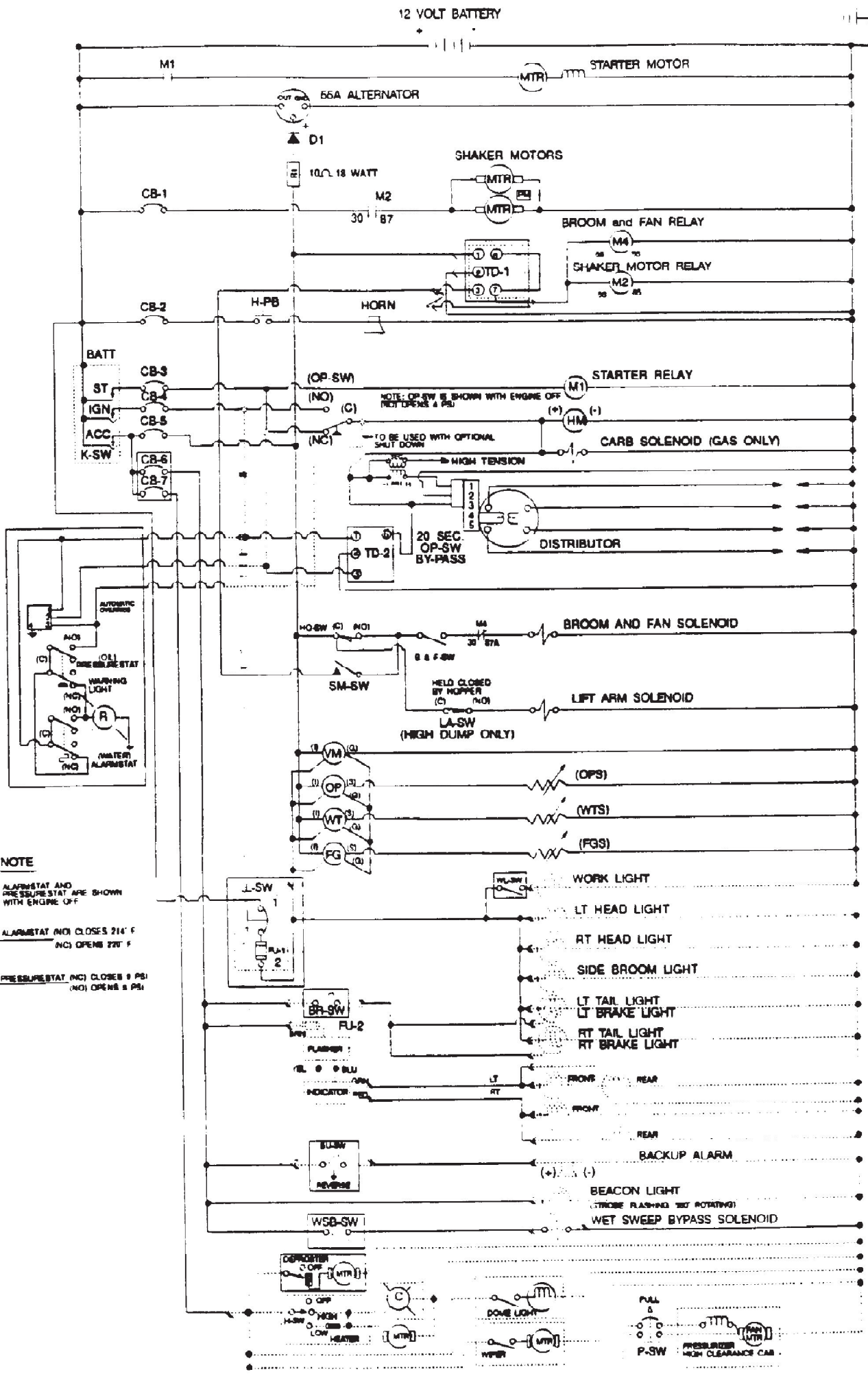
Referenznummer	Artikelnummer	Menge	Description
1	8-17-05031	2	Dump Cylinder
	0880-452	2	Seal Kit for Low Dump Cylinder
2	2-00-04892	4	ORFS 90° Elbow, 7/16-20 to 9/16-18
3	2-00-04930	2	ORFS Union Tee, 9/16-18

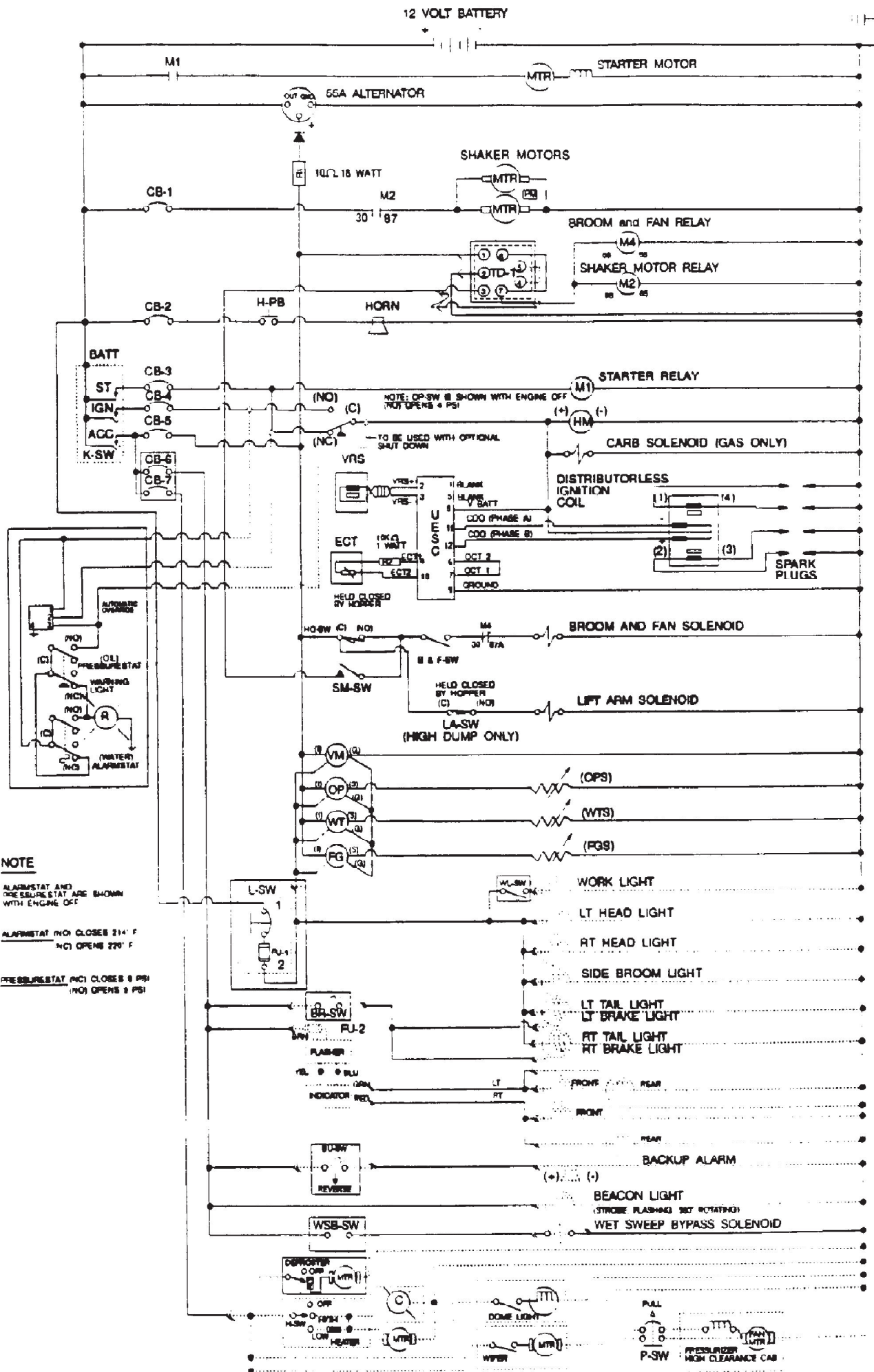


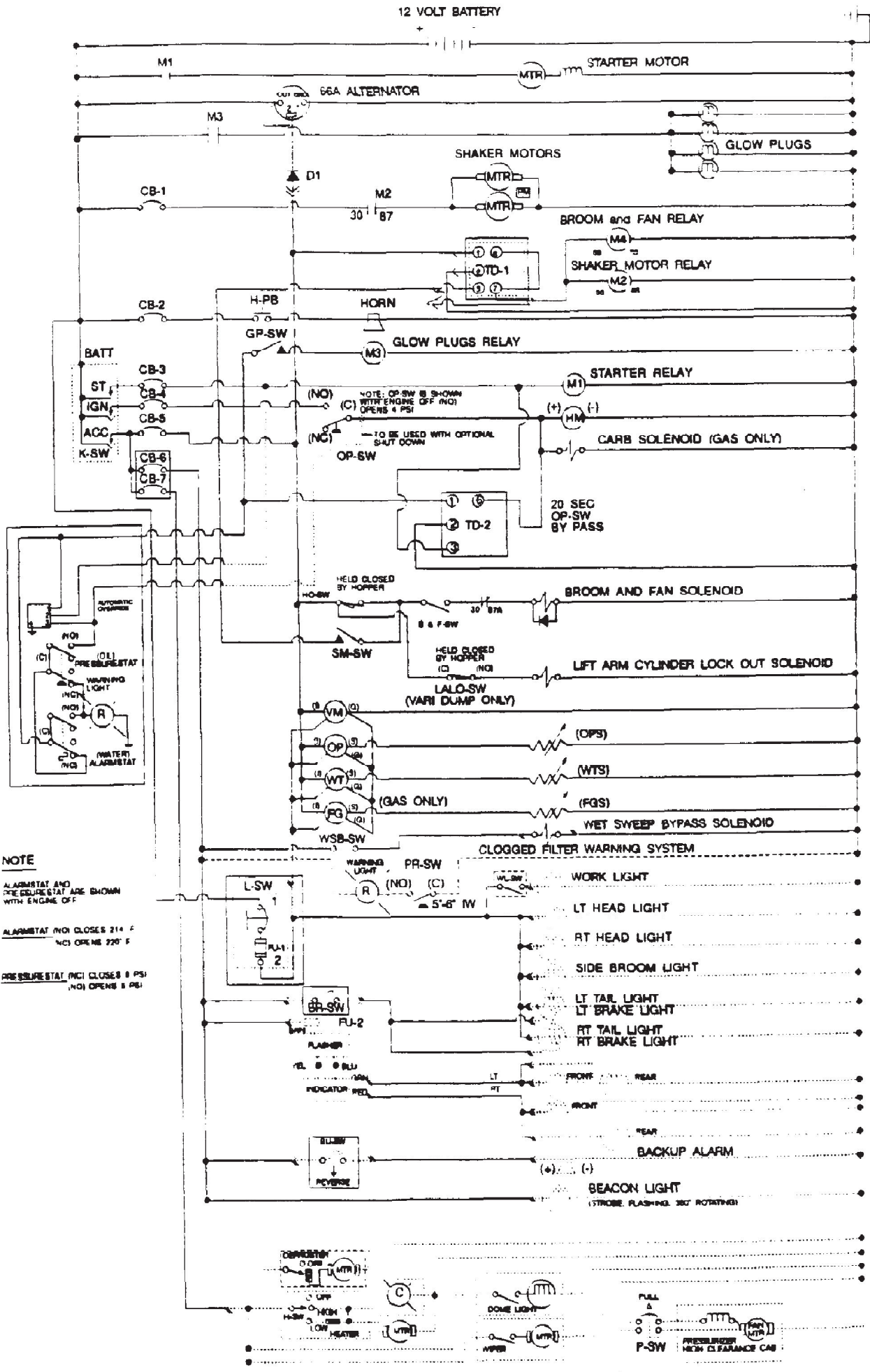
Referenznummer	Artikelnummer	Menge	Description
1	8-17-05029	2	Lift Cylinder
2	8-17-05028	1	Dump Cylinder
3	8-17-05030	1	Rotation Cylinder
4	2-00-04976	2	ORFS Connector, 7/16-20 to 9/16-18
5	2-00-04892	6	ORFS 90° Elbow, 7/16-20 to 9/16-18
6	2-00-04930	2	ORFS Union Tee, 9/16-18
	0880-449	1	Lift Cylinder Seal Kit Not Shown
	0880-451	1	Dump Cylinder Seal Kit Not Shown
	0880-450	1	Rotation Cylinder Seal Kit Not Shown

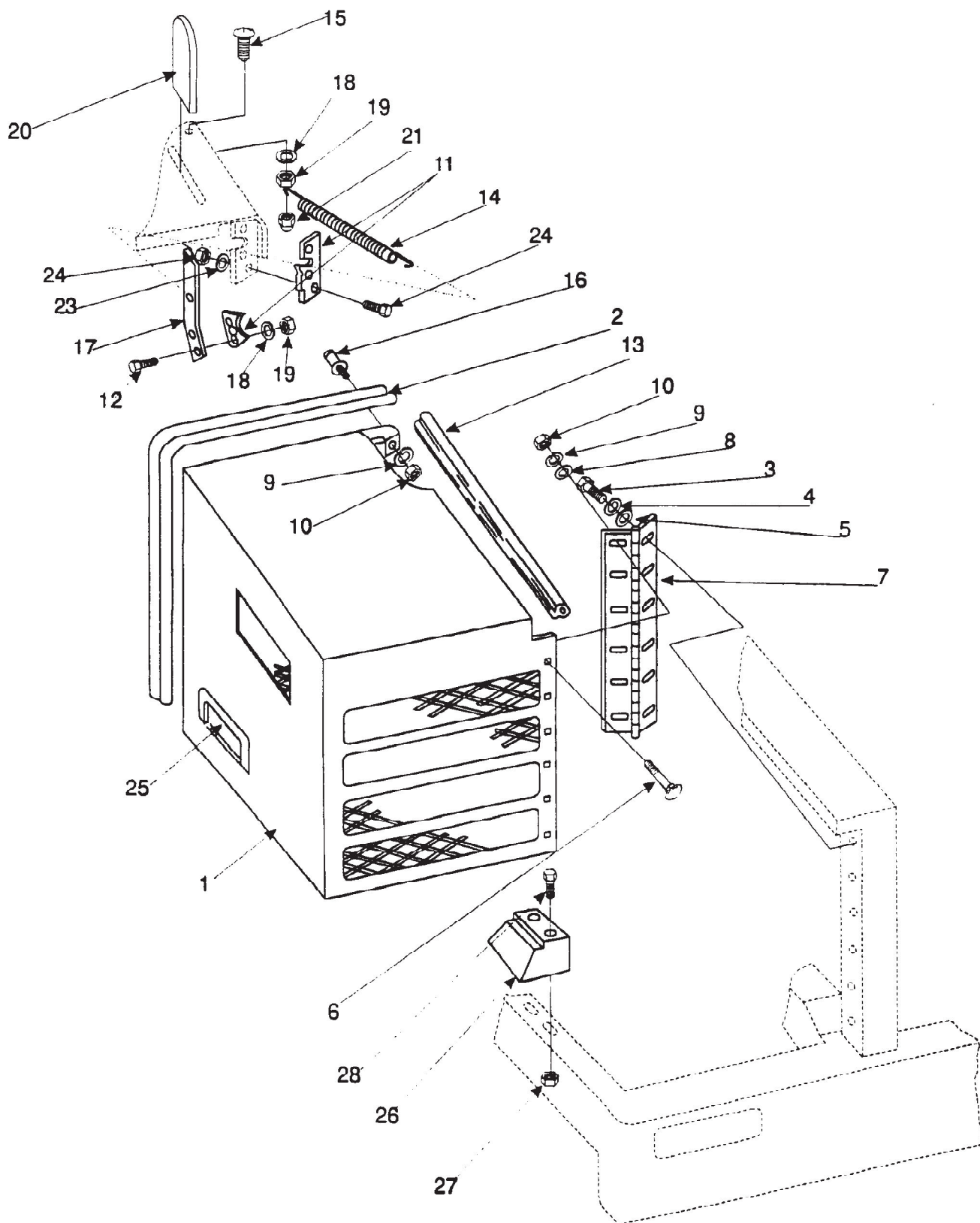




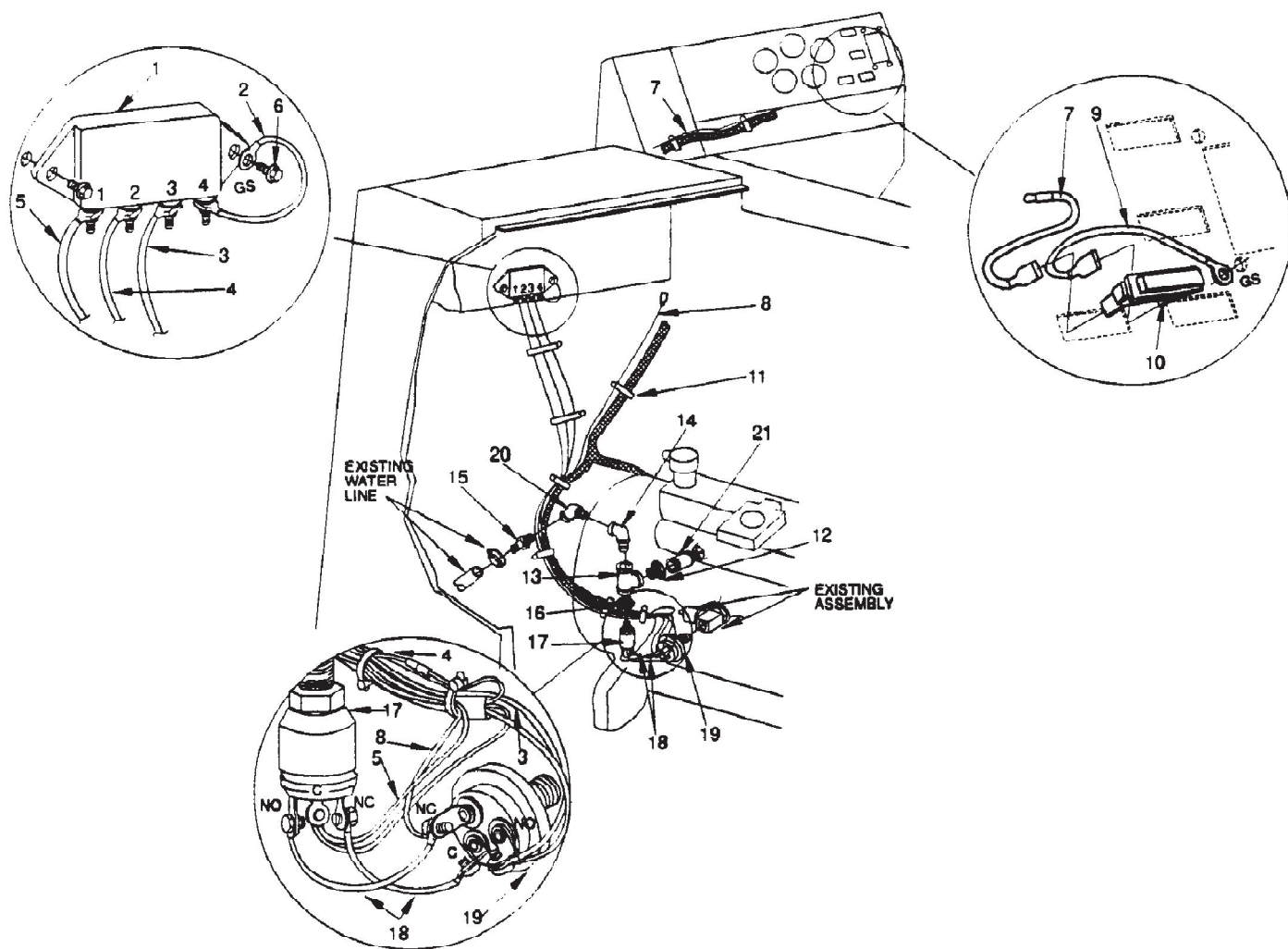




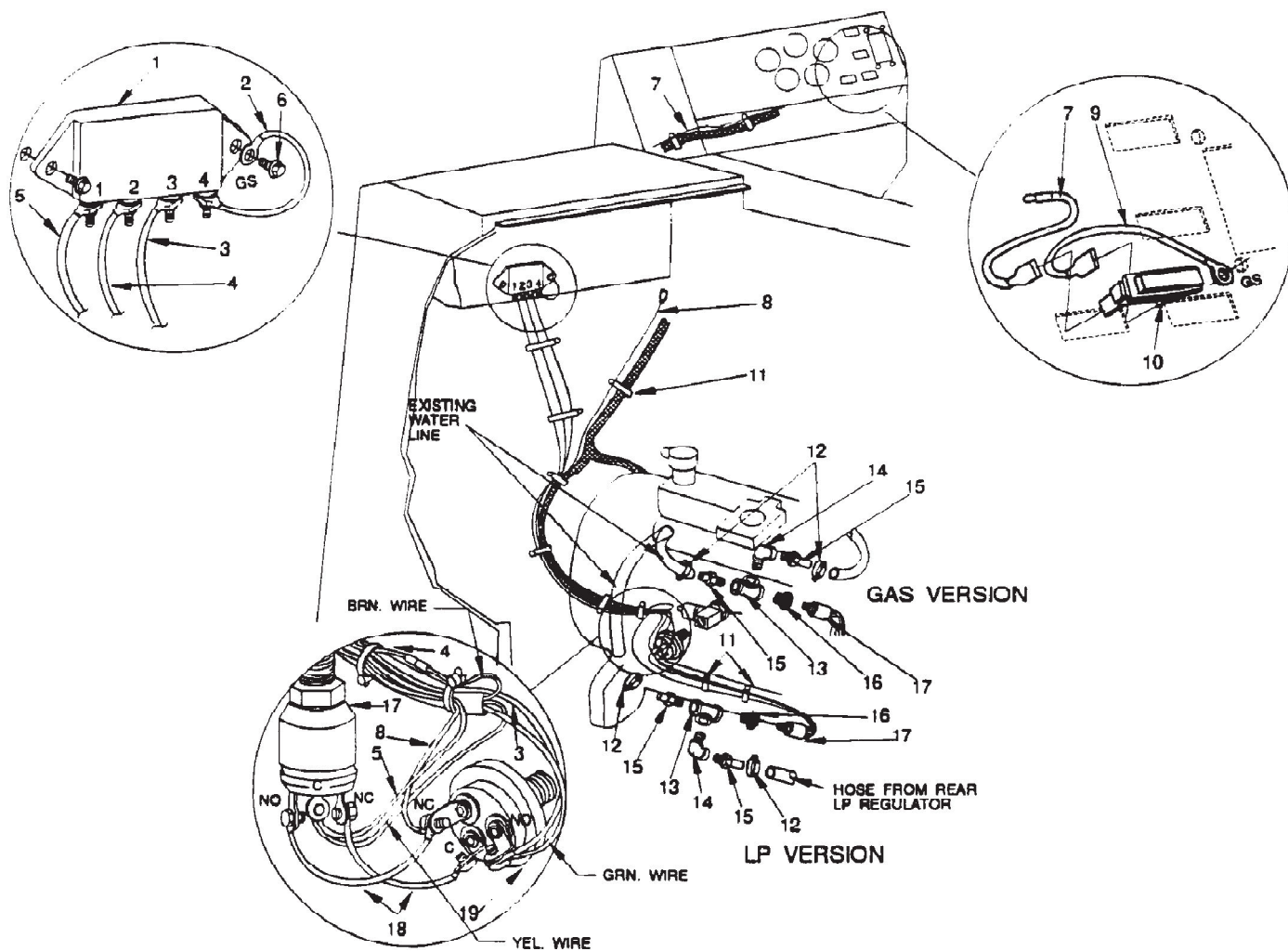




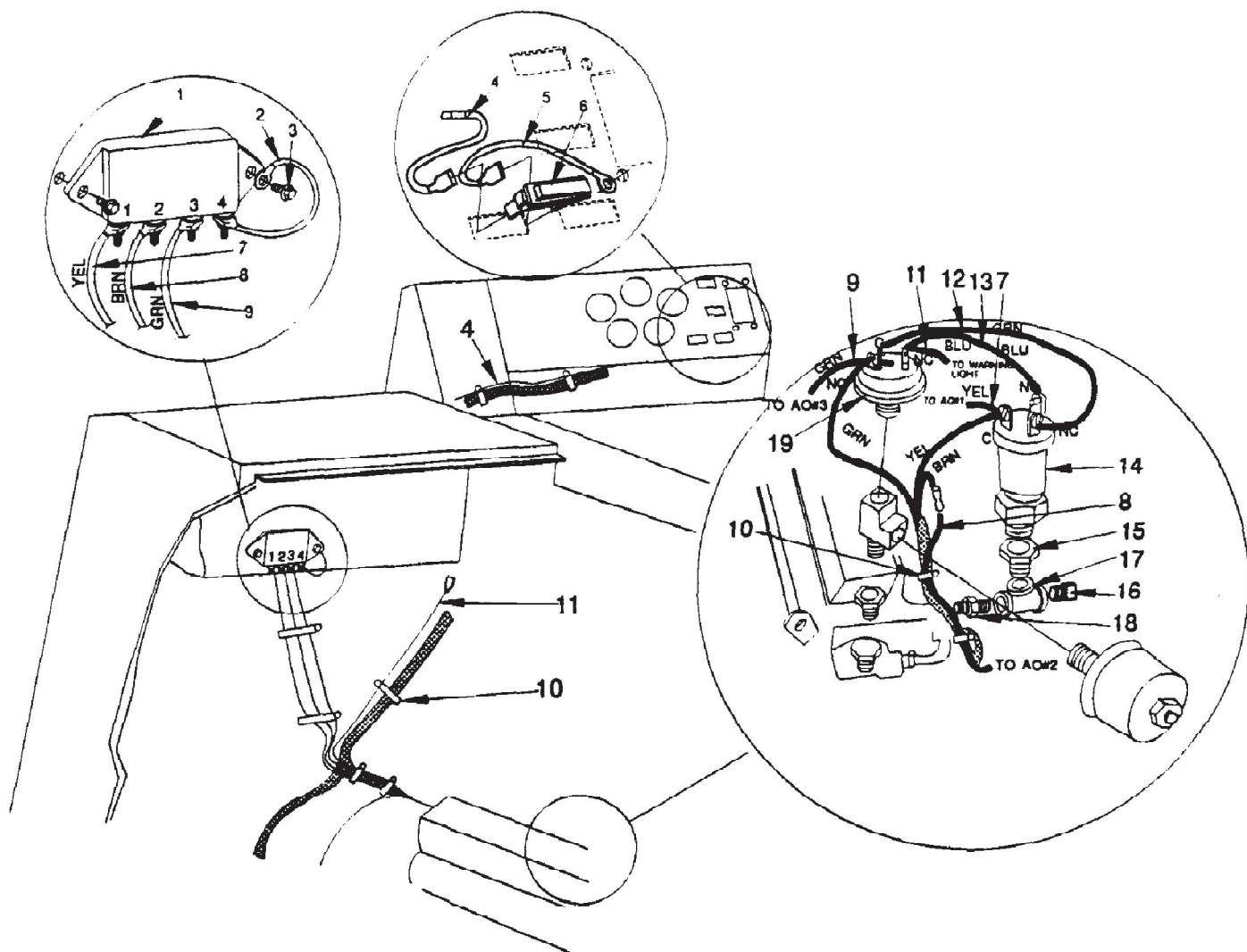
Referenznummer	Artikelnummer	Menge	Description
1	8-16-07338	1	Engine Cover
2	8-21-04043	1	Edging, Engine Cover Seal
3	2-00-00232	6	Screw, 3/8 - 16 x .750 HHC
4	2-00-02310	6	Lock Washer, Helical Spring 3/8 Med
5	2-00-00410	7	Flat Washer, .875 x .375 x .062
6	2-00-03569	6	Carriage Bolt, 5/16-18 x .750
7	8-32-00042	1	Engine Cover Hinge
8	2-00-00409	6	Flat Washer, 5/16 x .69
9	2-00-00530	7	Lock Washer, Helical Spring 5/16
10	2-00-00585	7	Nut, Hex 5/16-18
11	8-41-00046	1	Rotary Latch
12	2-00-04794	2	Screw, #10-24 x .625 BHS
13	8-21-04042	1	Edging, Engine Cover Seal
14	7-76-00106	1	Lever Return Spring
15	2-00-03063	1	Screw, #10-24 x .625 THM
16	7-55-08116	1	Striker Latch Pin
17	8-41-05073	1	Latch Release Lever
18	2-00-00519	3	Lock Washer, Helical Spring #10
19	2-00-00605	3	Nut, Hex #10-24
20	7-31-06061	1	Lever Cover
21	2-00-03780	1	Nut, Hex Fibre Lock #10-24
22	2-00-00594	3	Nut, Hex 1/4-20
23	2-00-00518	3	Lock Washer, Helical Spring 1/4
24	2-00-02587	3	Screw, 1/4-20 x 1.250 HHC
25	8-21-04038	1	Edging
26	7-78-05016	1	Engine Cover Stop
27	2-00-00641	2	Nut, Hex Fiber Lock 1/4-20
28	2-00-01769	2	Screw, 1/4-20 x 1.75 HHC



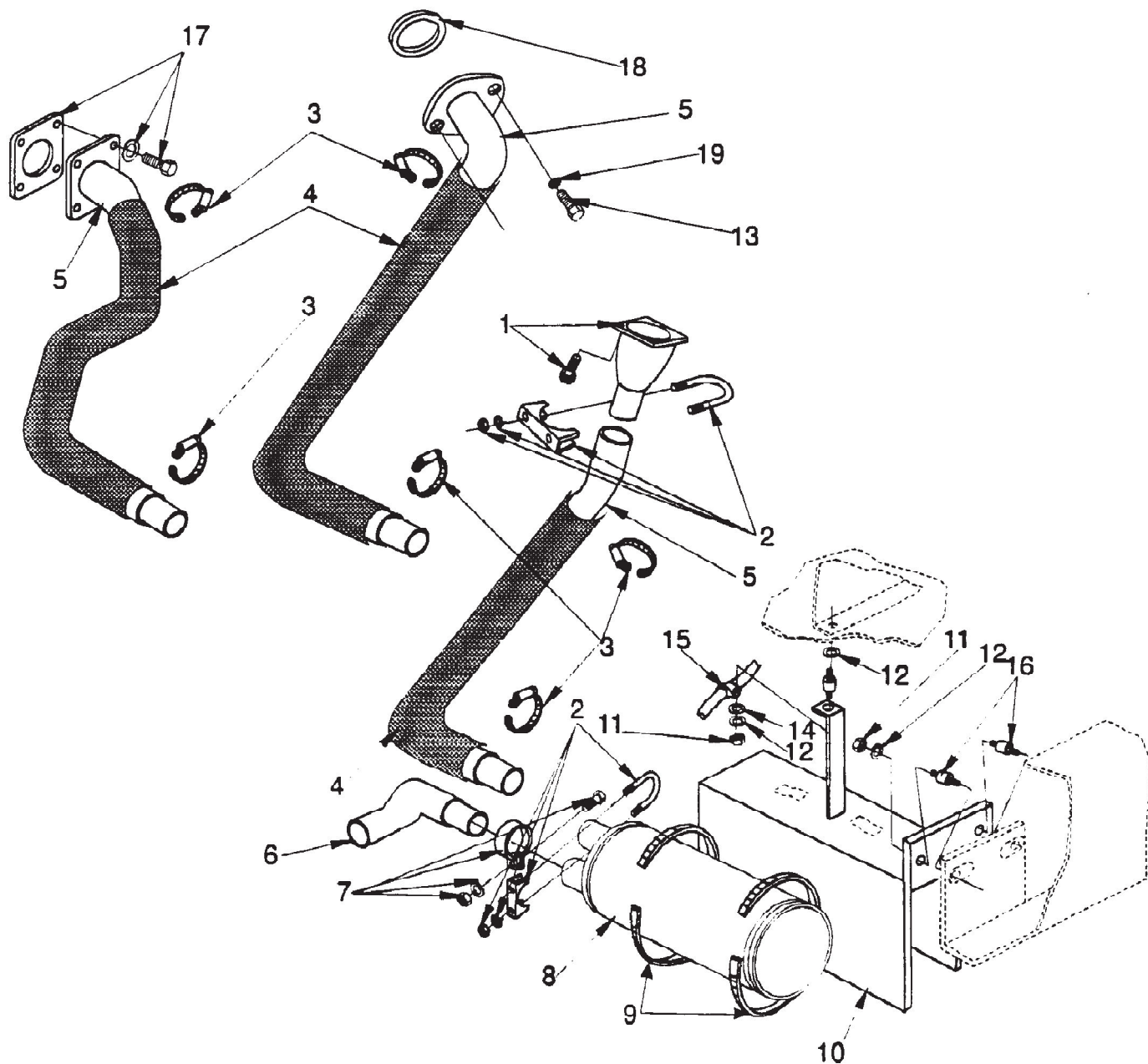
Referenznummer	Artikelnummer	Menge	Description
1	8-64-00004	1	Relay, Automatic Override
2	8-90-07365	1	Wire, (GS) to Auto. Override #4
3	8-90-07370	1	Wire, Auto. Over.#3 to Pressurestat (NO)
4	8-90-07366	1	Wire, Auto. Override #2 to Butt Splice
5	8-90-07367	1	Wire, Auto. Over. #1 to Alarmstat (C)
6	2-00-04312	2	Screw, #10 - 24 x .625 T/C HH
7	8-90-07364	1	Wire, Warning Light to Bullet Plug
8	8-90-07368	1	Wire, Bullet Recept. to Pressurestat (NC)
9	8-90-07371	1	Wire, (GS) to Warning Light
10	7-40-05028	1	Warning Light
11	2-00-04345	10	Ty-Flap
12	2-00-04574	1	Reducer, 3/8 to 1/2 Pipe
13	2-95-02537	1	Pipe Tee, 1/2 NPT Female
14	2-00-04616	1	Street Elbow, 90° 1/2-14 M-F
15	7-25-02040	1	Straight Barb Stem, 1/2-14
16	8-09-01070	1	Bushing, 3/8 Reducer
17	8-63-05011	1	Regulator, Alarmstat
18	8-90-07369	2	Wire Pressure (NC) to Alarmstat (NO) & Pressurestat (C) to Alarmstat (NC)
19	8-63-05013	1	Regulator, Pressurestat
20	2-00-04747	1	Fitting, 45° Street Elbow 1/2 NPT
21	2-00-04988	1	Pipe Nipple, 3/8 NPT x 2.00 Lg.



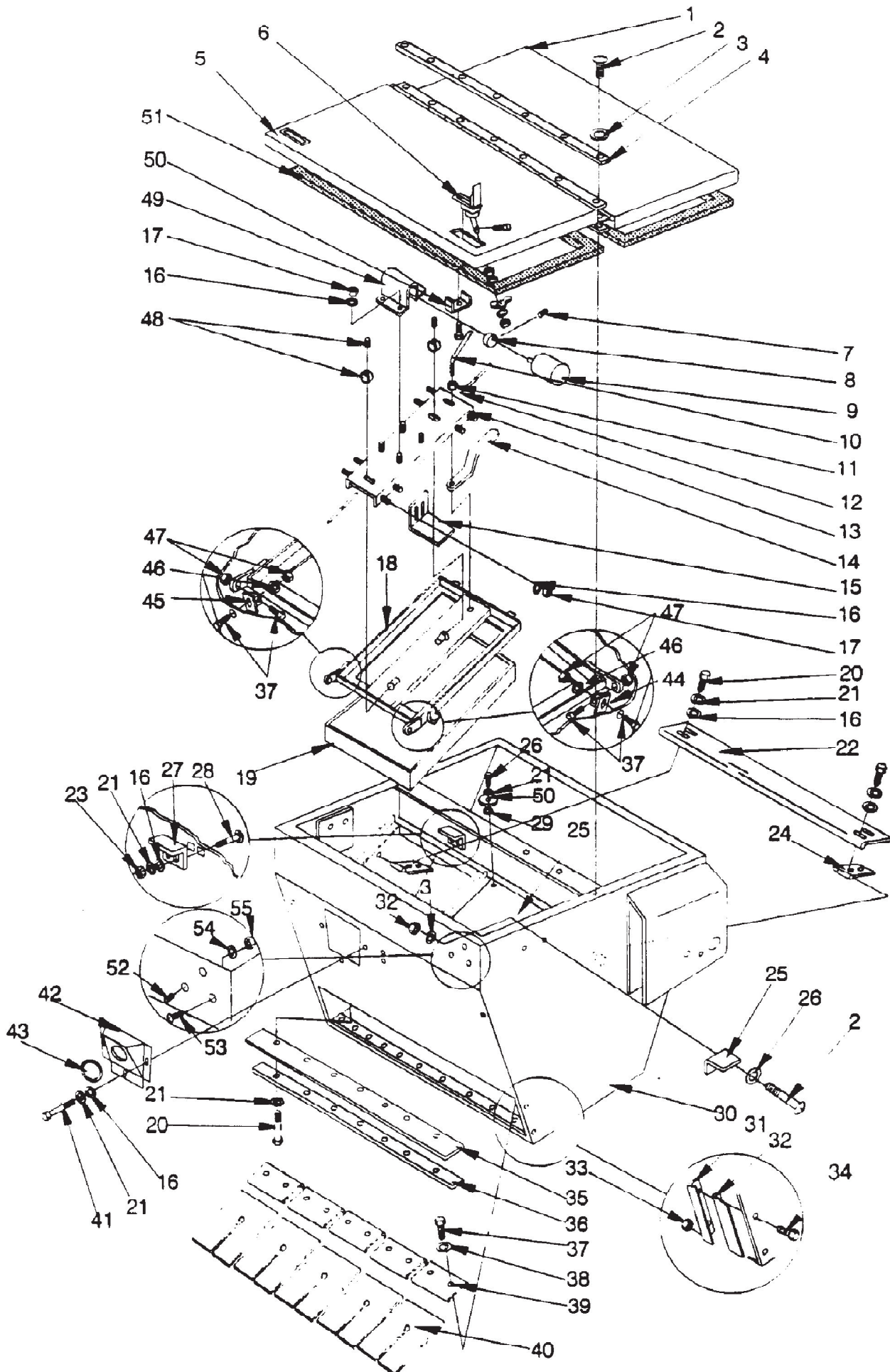
Referenznummer	Artikelnummer	Menge	Description
1	8-64-00004	1	Relay, Automatic Override
2	8-90-07365	1	Wire, (GS) to Auto. Override #4
3	8-90-07370	1	Wire, Auto. Over.#3 to Pressurestat (NO)
4	8-90-07366	1	Wire, Auto. Override #2 to Butt Splice
5	8-90-07367	1	Wire, Auto. Over. #1 to Alarmstat (C)
6	2-00-04312	2	Screw, #10 - 24 x .625 T/C HH
7	8-90-07364	1	Wire, Warning Light to Bullet Plug
8	8-90-07368	1	Wire, Bullet Recept. to Pressurestat (NC)
9	8-90-07371	1	Wire, (GS) to Warning Light
10	7-40-05028	1	Warning Light
11	2-00-04345	10	Ty-Rap
12	2-00-03407	2	Hose Clamp
13	2-95-02537	1	Pipe Tee, 1/2 NPT Female
14	2-00-04616	1	Street Elbow, 90° 1/2-14 M-F
15	7-25-02040	1	Straight Barb Stem, 1/2-14
16	8-09-01070	1	Bushing, 3/8 Reducer
17	8-63-05011	1	Regulator, Alarmstat
18	8-90-07369	2	Wire Pressure (NC) to Alarmstat (NO) & Pressurestat (C) to Alarmstat (NC)
19	8-63-05013	1	Regulator, Pressurestat
20	7-29-00174	1	Gasket



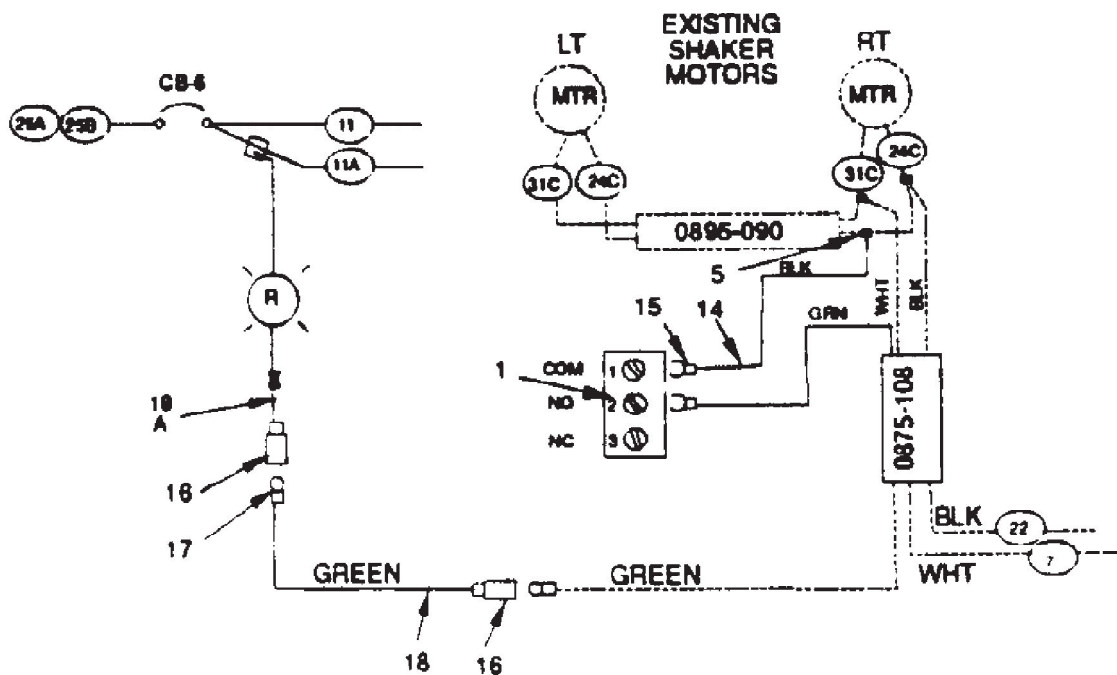
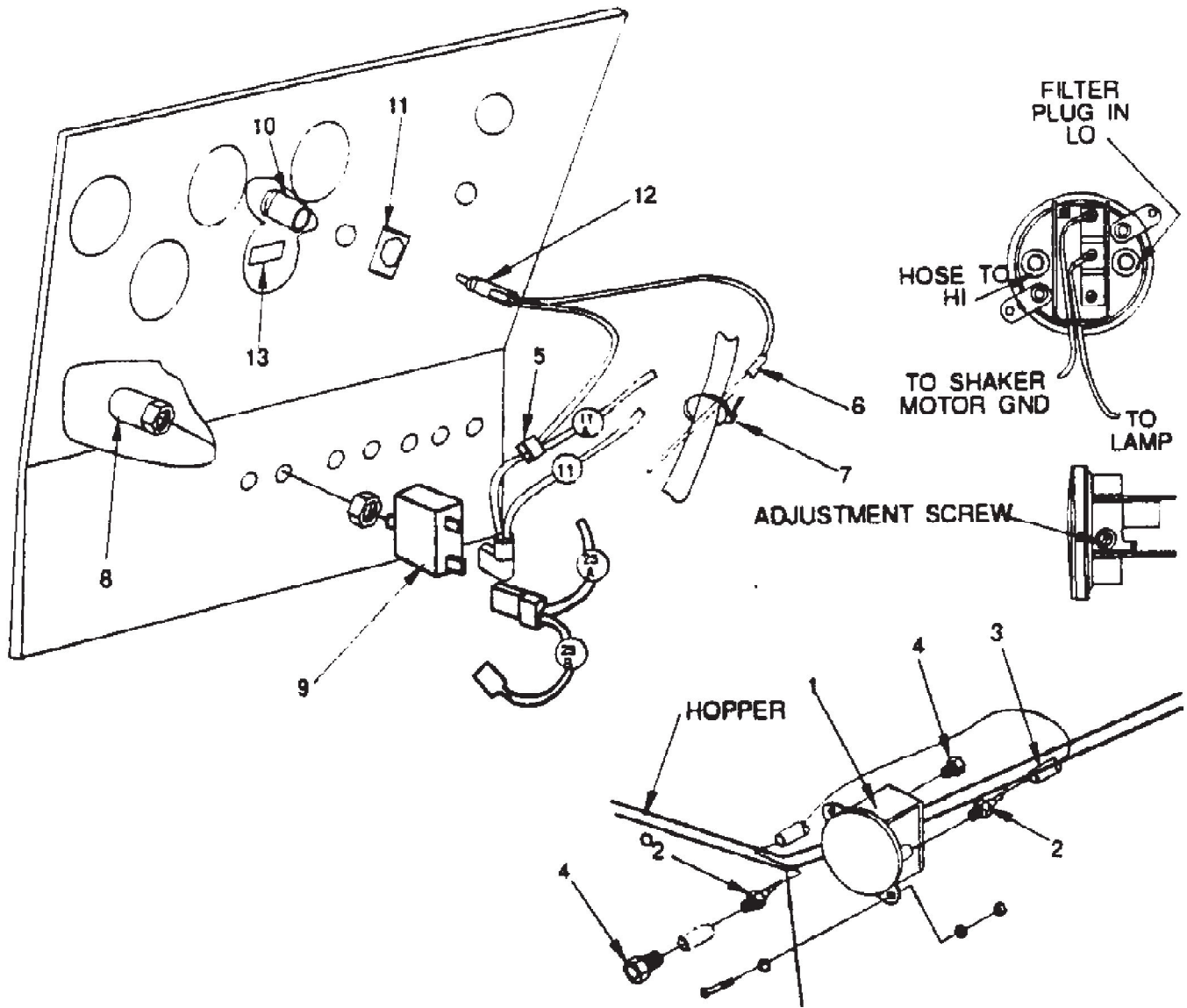
Referenznummer	Artikelnummer	Menge	Description
1	8-64-00004	1	Relay, Automatic Override
2	8-90-07365	1	Wire, (GS) to Automatic Override #4
3	2-00-04312	2	Screw, #10 - 24 x .625 T/C HH
4	8-90-07364	1	Wire, Warning Light to Bullet Plug
5	8-90-07371	1	Wire, (GS) to Warning Light
6	7-40-05028	1	Light, Warning
7	8-90-07398	1	Wire, (AO #1) to Alarmstat C
8	8-90-07399	1	Wire, (AO #2) to Butt Splice
9	8-90-07400	1	Wire, (AO #3) to Pressurestat (NO)
10	2-00-04345	11	Ty-Rap
11	8-90-07403	1	Wire, Bullet Receptacle to Pressurestat (NC)
12	8-90-07402	1	Wire, Pressurestat (C) to Alarmstat (NC)
13	8-90-07401	1	Wire, Pressurestat (NC) to Alarmstat (NC)
14	8-63-05012	1	Regulator, Alarmstat
15	8-09-01070	1	Bushing, 3/8-1/2 NPT
16	2-00-02474	1	Pipe Plug, 1/2 NPT
17	2-95-02537	1	Tee
18	2-00-04638	1	Reducer, 3/8 to 1/2
19	8-63-05013	1	Regulator, Pressurestat



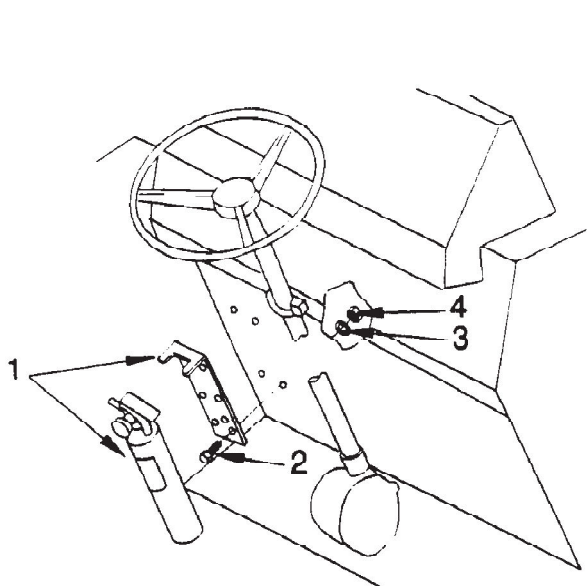
Referenznummer	Artikelnummer	Menge	Description
1	8-25-02026	1	Fitting, Exhaust (FORD 411)
		3	Screw, M10 x 10.9mm MHHC
2	2-00-04040	1	Muffler Clamp, 1.500 Tube Size
3	2-00-03404	2	Hose Clamp 1.062 - 2.000
4	7-34-09015	1	Insulation Sleeve
5	8-56-04029	1	Exhaust Pipe (FORD 411)
5	8-56-04041	1	Exhaust Pipe (FORD 413)
5	8-56-04042	1	Exhaust Pipe (PERKINS 104.19)
6	8-56-04030	1	Tail Pipe
7	7-13-07082	1	Muffler Clamp, 1.250
8	7-49-00027	1	Muffler
9	2-00-04400	2	Hose Clamp, 5.000 - 7.000
10	8-72-00006	1	Muffler Shroud
11	2-00-00585	3	Nut, Hex 5/16 - 18 x .500 x .265
12	2-00-00530	4	Lock Washer, Helical Spring 5/16 Med
13	2-00-05005	2	Screw, M10 x 1.5 x 30 MM
14	2-00-00409	1	Flat Washer, .687 x .343 x .062
15	2-00-04441	1	Cable Clamp, .625
16	8-50-05037	3	Radiator Mounting Pad
17			PERKINS 104.19 Engine Parts
18	8-29-00199	1	Exhaust Gasket (FORD 413)
19	2-00-02311	2	Lock Washer, Helical Spring 7/16 Med



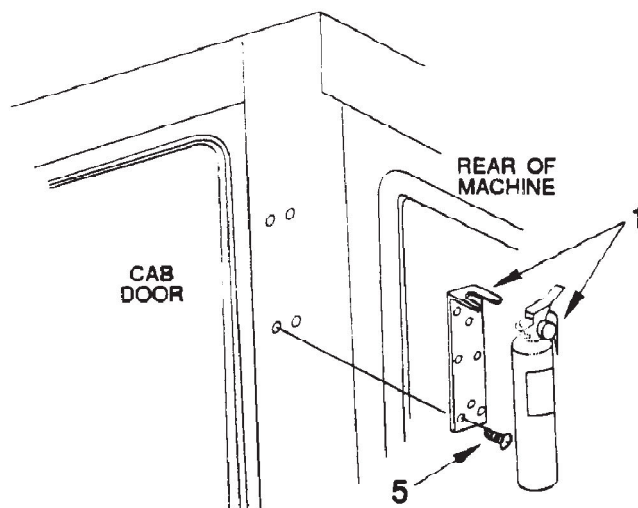
Referenznummer	Artikelnummer	Menge	Description
1	8-16-07317	1	Hopper Lid
2	2-00-04667	11	Screw, 3/8-16 x 1.250 BHS
3	2-00-02310	11	Lock Washer, Helical Spring 3/8 Med
4	8-75-01186	2	Spacer
5	8-29-00207	1	Gasket
6	8-41-00044	2	Latch
7	2-95-01929	2	Setscrew, 1/4 - 20 x.250 HS-CS (Nylok)
8	8-89-04006	2	Shaker Weight
9	0882-027	2	Shaker Motor
10	8-80-05032	1	Latch Arm Stud
11	2-00-02371	1	Nut, Hex Jam 1/2 - 13 x .750 x .312
12	8-66-00156	2	Rocker Pivot Rod
13	8-58-05257	1	Rocker Plate
14	8-41-00042	1	Shaker Frame Latch
15	8-50-05056	8	Rocker Plate Pad
16	2-00-00407	35	Flat Washer, .562 x .274 x .062
17	2-00-00641	24	Nut, Hex Fiber Insert 1/4 - 20
18	8-27-07094	1	Shaker Frame
19	8-24-04134	1	Panel Filter
20	2-00-00221	22	Screw, 1/4 - 20 x .750 HHC
21	2-00-00518	14	Lock Washer, Helical Spring 1/4 Med
22	8-25-08145	1	Air Flow Deflector
23	2-00-00594	6	Nut, Hex 1/4-20
24	8-57-05019	2	Deflector Pivot
25	8-52-00158	1	Hopper Panel
26	2-00-00205	7	Screw, 1/4 - 20 x 1.00 HHC
27	8-08-00701	2	Frame Lock Bracket
28	2-00-02196	4	Carriage Bolt, 1/4-20 x 1.000
29	2-00-03702	4	Flat Washer, .625 x .281 x .062
30	8-32-06097	1	Hopper
31	8-13-07095	2	Hopper Side Flap Clamp
32	8-25-08170	2	Hopper Side Flap
33	2-00-01246	4	Nut, Fiber Lock #10 - 24
34	2-00-04794	4	Screw, 10-24 x .625 BHS
35	8-25-08151	1	Primary Deflector Flap
36	8-79-00110	1	Strap
37	2-00-00209	20	Screw, 5/16 - 18 x .750 HHM
38	2-00-00530	12	Lock Washer, Helical Spring 5/16 Med
39	8-13-07084	6	Bottom Hopper Flap Clamp
40	8-25-08182	12	Bottom Hopper Flap
41	2-00-00220	3	Screw, 1/4 - 20 x .625 HHC
42	8-58-05237	1	Blower Mating Plate
43	8-29-00183	1	Blower Gasket
44	8-08-00692	1	Right Hand Frame Mounting Bracket
45	8-08-00691	1	Left Hand Frame Mounting Bracket
46	2-00-00409	4	Flat Washer, .687 x .343 x .062
47	2-00-00644	8	Nut, Hex Fiber Insert 5/16 - 18
48	7-15-01022	4	Setscrew Collar, .750 x .378 x .375
49	8-16-07181	2	Shaker Motor Cover
50	7-23-03092	2	Flat Washer, 1.50 x .265 x 1.25
51	3-73-00060	1	Bulb Seal 21.4'
52	2-00-03778	1	Plug, 1/8 NPT - Hex Socket
53	2-00-03061	2	Screw, #10 - 24 x .5000 THM
54	2-00-00519	2	Lock Washer, #10
55	2-00-00695	2	Nut, Hex #10 - 24



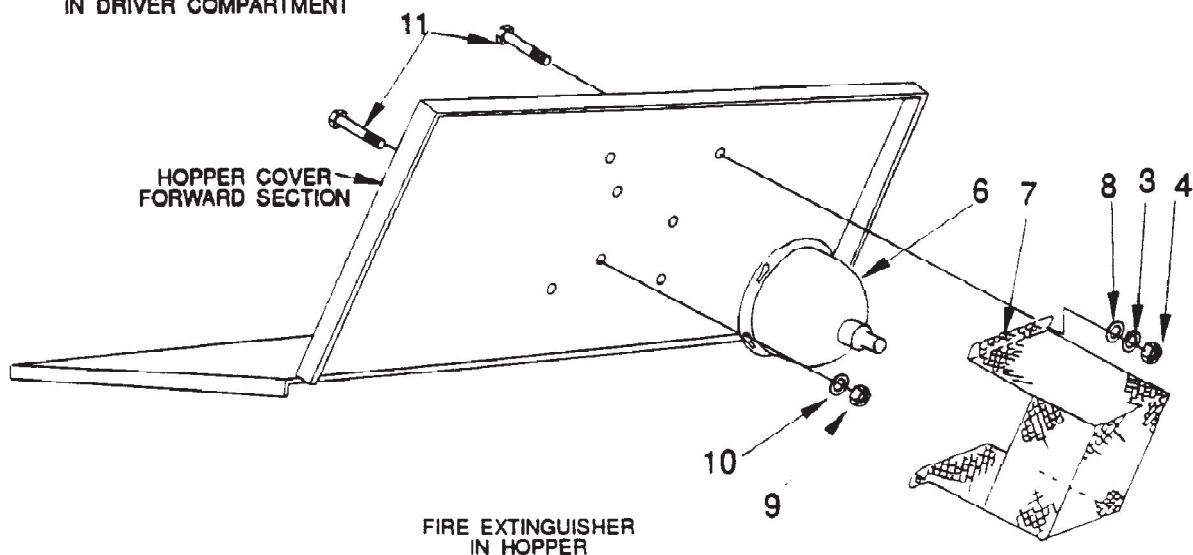
Referenznummer	Artikelnummer	Menge	Description
1	8-63-05014	1	Pressure Differential Switch
2	2-00-04518	2	Hose Fitting Barbed. Rigid Pipe Male 1/8 NPT
3	7-87-02155	1	Plastic Hose, 8.00 L.
4	8-24-04075	1	Filter Plug
5	2-00-04479	1	Connector, 3 way
6	2-00-01128	1	Terminal, Butt Connector 16-14 1.07 x .170
7	2-00-04345	10	Wire Tie
8	8-11-00044	1	Boot, Protective
9	8-64-00008	1	Circuit Breaker, 15 AMP
10	7-41-03004-1	1	Lens, Red
11	2-00-04735	1	Nut, Spring Clip
12	7-40-05027	1	Lamp Socket, 14 V
13	8-18-00144	1	Decal, Warning Dirty Filter
14	3-61-00189	16.00"	Wire, Bulk Black 16 AWG
15	2-00-04717	1	Terminal, #6 Spring Spade
16	2-00-04626	2	Terminal, .156 Female Bullet
17	2-00-04578	1	Terminal, .156 Male Bullet
18	3-61-00249	92.50"	Wire, 16 AWG. GRN
18A	3-61-00249	20.00"	Wire, 16 AWG. GRN



FIRE EXTINGUISHER
IN DRIVER COMPARTMENT

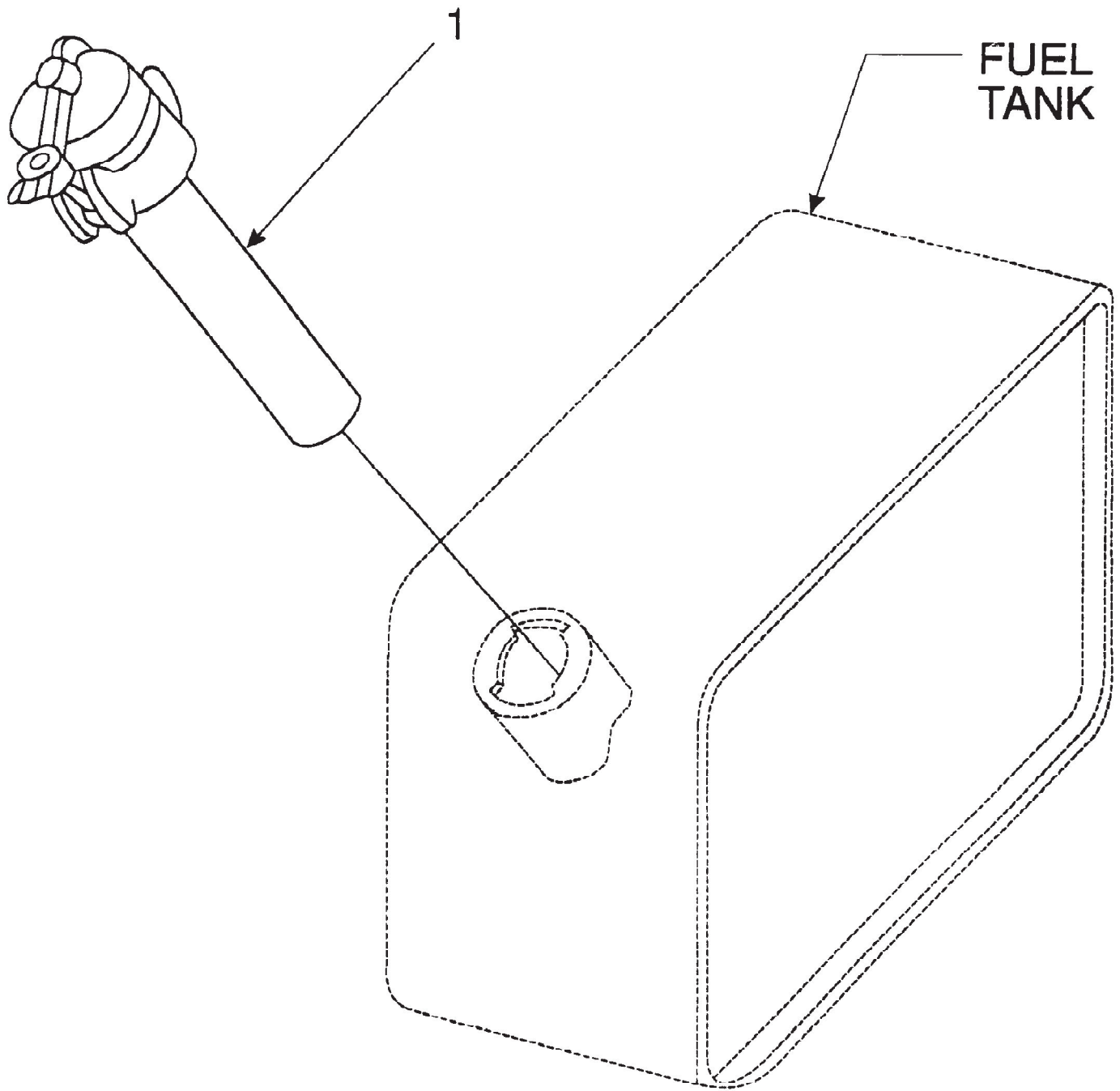


FIRE EXTINGUISHER
IN CAB

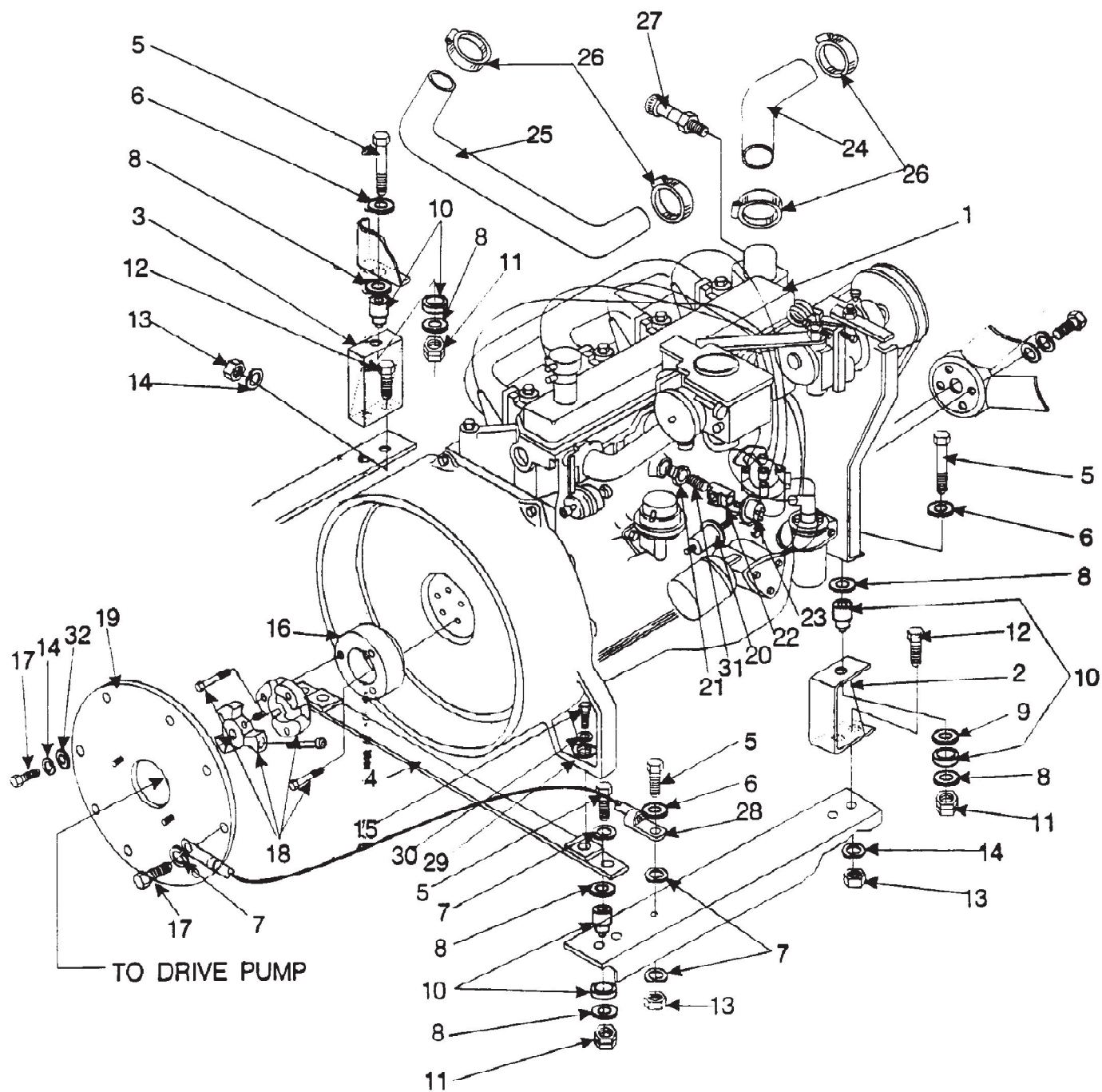


FIRE EXTINGUISHER
IN HOPPER

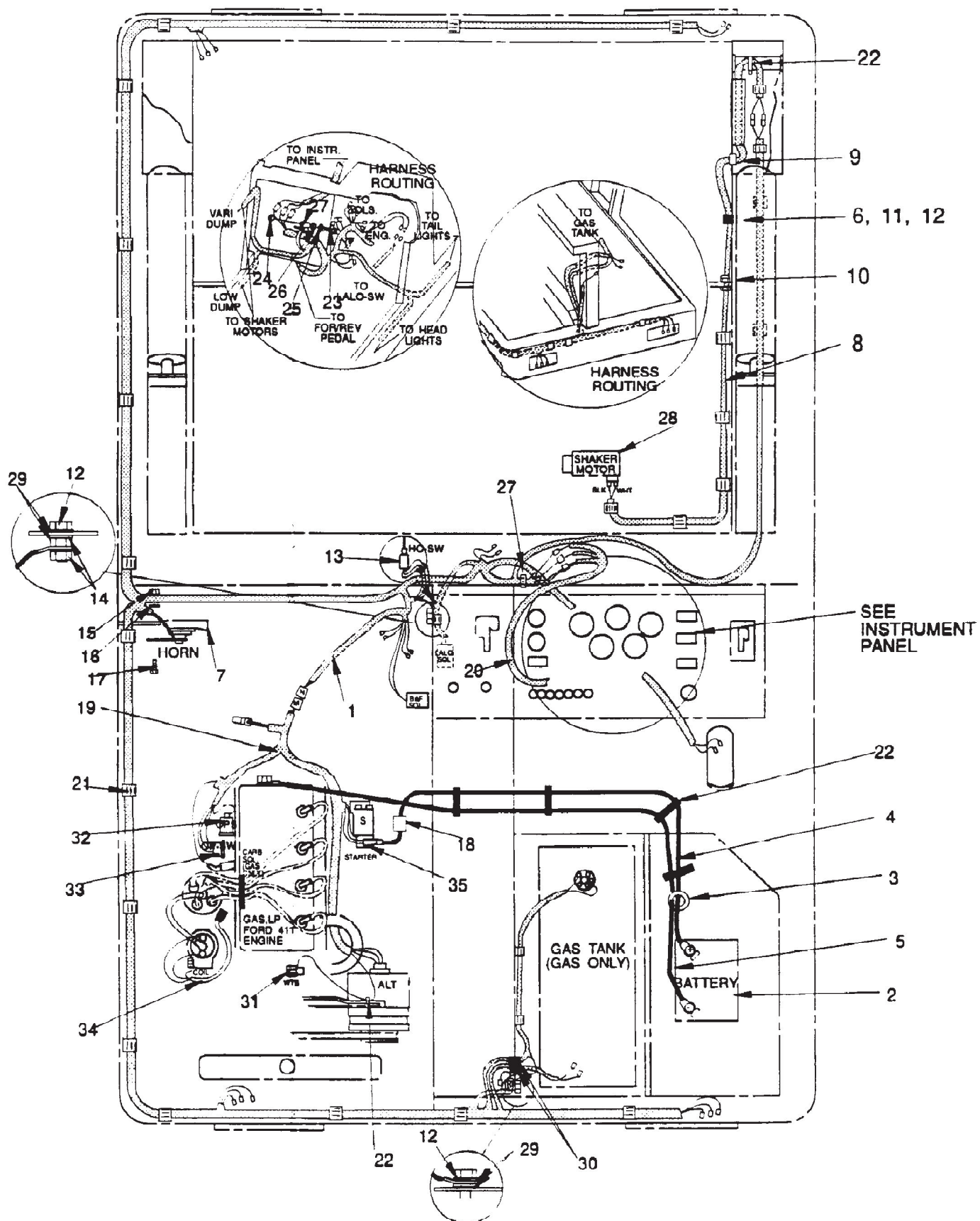
Referenznummer	Artikelnummer	Menge	Description
1	8-83-04033	1	Fire Extinguisher
2	2-00-00221	4	Screw, 1/4 - 20 x .750 HHC
3	2-00-00518	8	Lock Washer, Helical Spring 1/4 Med
4	2-00-03546	8	Nut, Hex MS 1/4 - 20 x .437 x .187
5	2-95-01998	4	Screw, #1/4 - 10 x .750 T/F RH
6	8-83-04023	1	Fire Extinguisher (In Hopper)
7	8-30-05111	1	Fire Extinguisher Cover
8	2-00-00447	4	Flat Washer, 1.250 x .281 x .089
9	2-00-00641	3	Nut, Hex Fiber Insert 1/4 - 20
10	2-00-03702	3	Flat Washer, .625 x .281 x .062
11	2-00-00051	7	Screw, 1/4 - 20 x .750 RHM



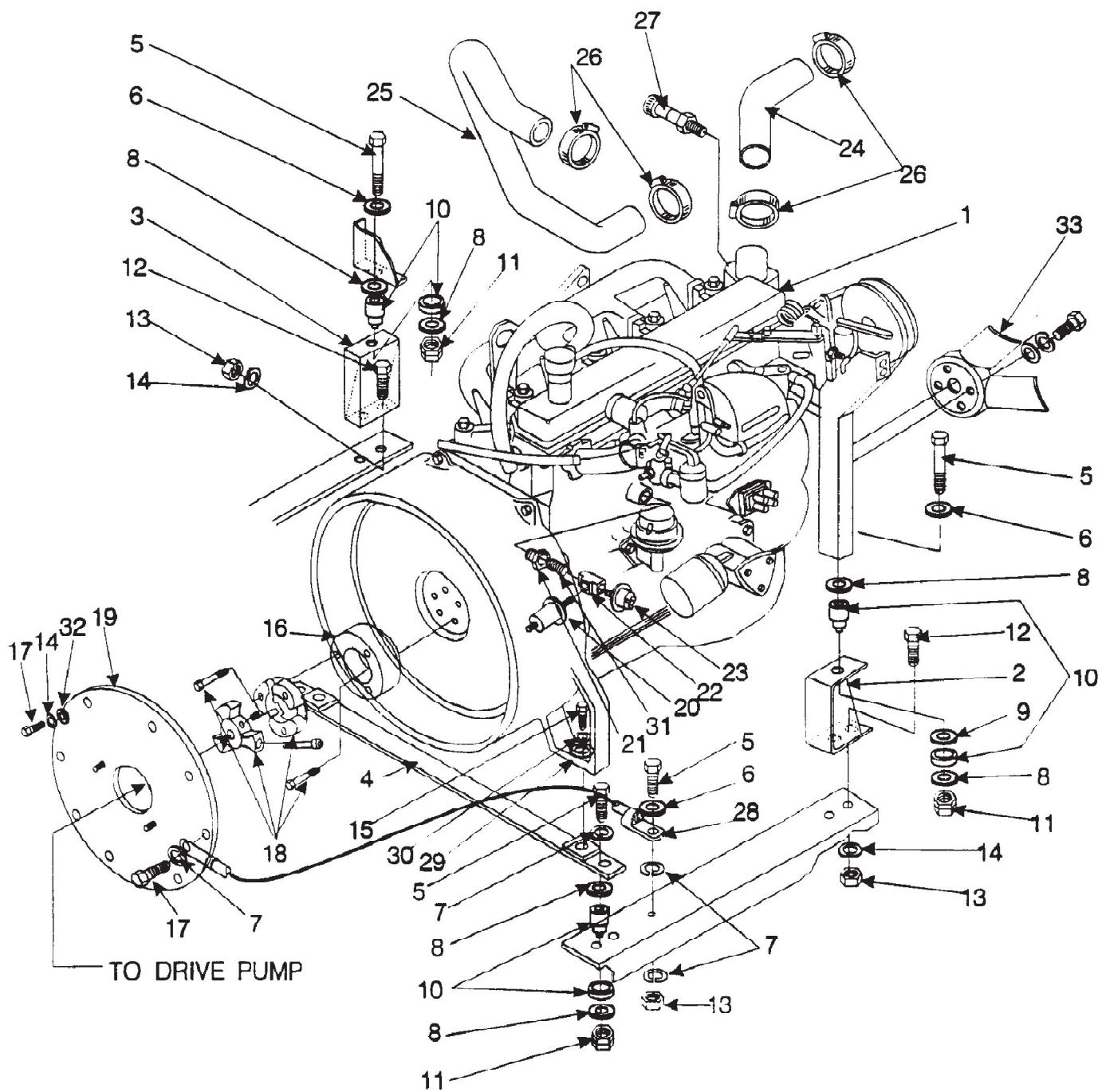
Referenznummer	Artikelnummer	Menge	Description
1	8-11-00024	1	Flame Arresting Gas Cap



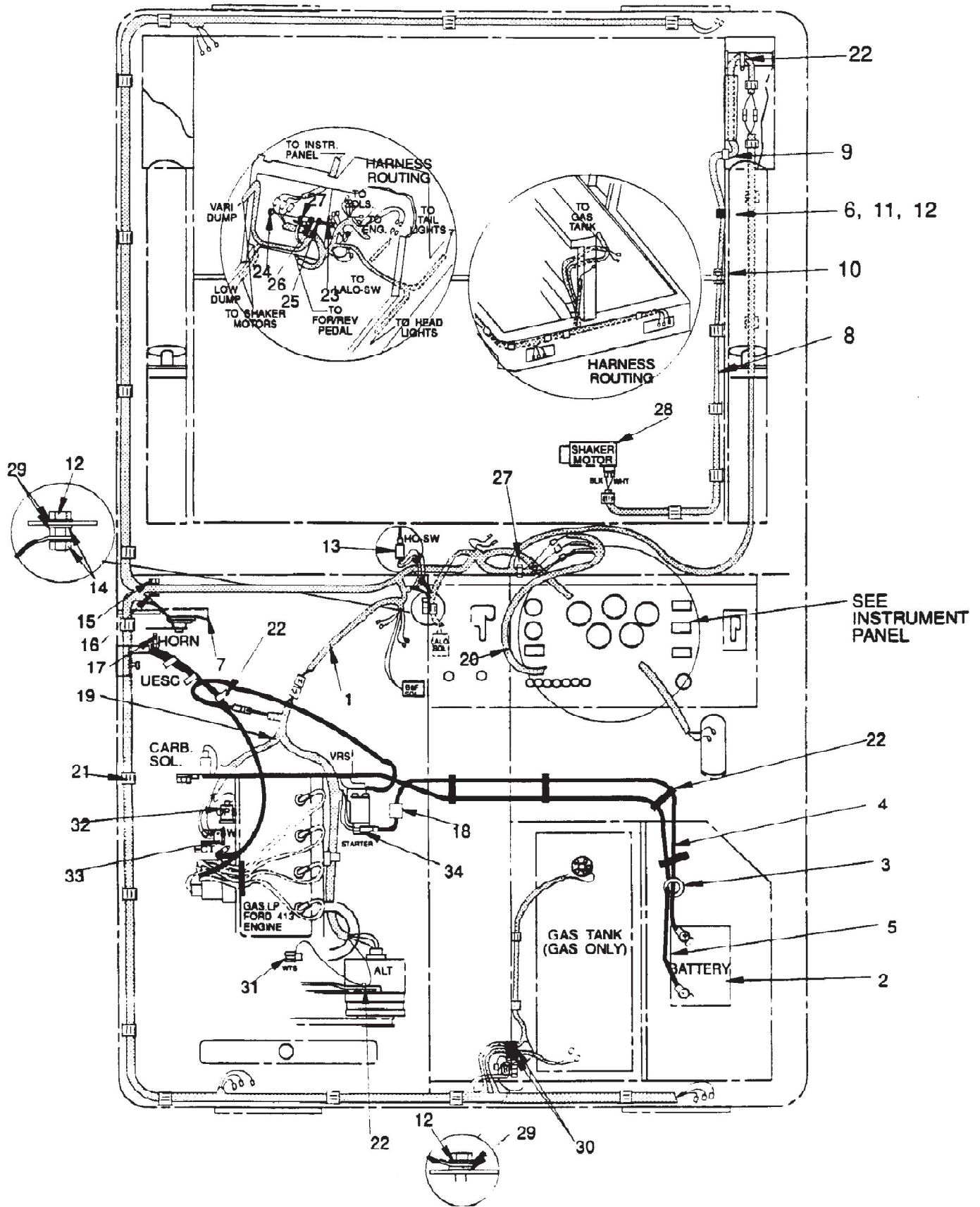
Referenznummer	Artikelnummer	Menge	Description
1	0887-045	1	Engine, FORD VSG 411
2	8-08-00576	1	Motor Mount R.H. Front
3	8-08-00575	1	Motor Mount L.H. Front
4	8-08-00574	1	Motor Mount Rear
5	2-00-04699	4	Screw, 3/8 - 16 x 2.750 HHC
6	2-00-03266	4	Flat Washer, 1.296 x .375 x .1 25
7	2-00-03829	3	Lock Washer, .375 Int.
8	2-00-04581	8	Flat Washer, 1.560 x .391 x .090
9	8-75-01163	2	Spacer,
10	8-75-01155	4	Isolator Mount
11	2-00-00643	4	Nut, Hex Fiber Insert 3/8 - 16
12	2-00-00209	4	Screw, 3/8-16 x 1.250 HHC
13	2-00-02360	5	Nut, Hex 3/8 - 16 x .562 x .328
14	2-00-02310	11	Lock Washer, Helical Spring 3/8 Med
15	2-00-01254	2	Screw, 1/2 - 13 x 1.500 HHC
16	8-03-00043	1	Flywheel Adapter Plate
17	2-00-00233	9	Screw, 3/8 - 16 x 1.000 HHC
18	0885-059	1	Coupling
19	8-58-05171	1	Pump Mounting Plate
20	8-69-00005	1	Oil Pressure Sender
21	2-00-04853	1	Reducer Bushing
22	2-00-03874	1	Pipe Tee, 1/8 NPT
23	8-82-00046	1	Pressure Switch
24	8-33-02161	1	Upper Radiator Hose
25	8-33-02160	1	Lower Radiator Hose
26	2-00-03404	4	Hose Clamp, 1.062 x 2.000
27	8-69-00006	1	Water Temperature Sender
28	8-90-07328	1	Ground Cable
29	2-00-04159	2	Flat Washer, 9/16 ID
30	2-00-02312	2	Lock Washer, Helical Spring 1/2 Med
31	2-00-05004	1	Nipple, 1/8 NPT
32	2-00-00402	7	Flat Washer, 3/8



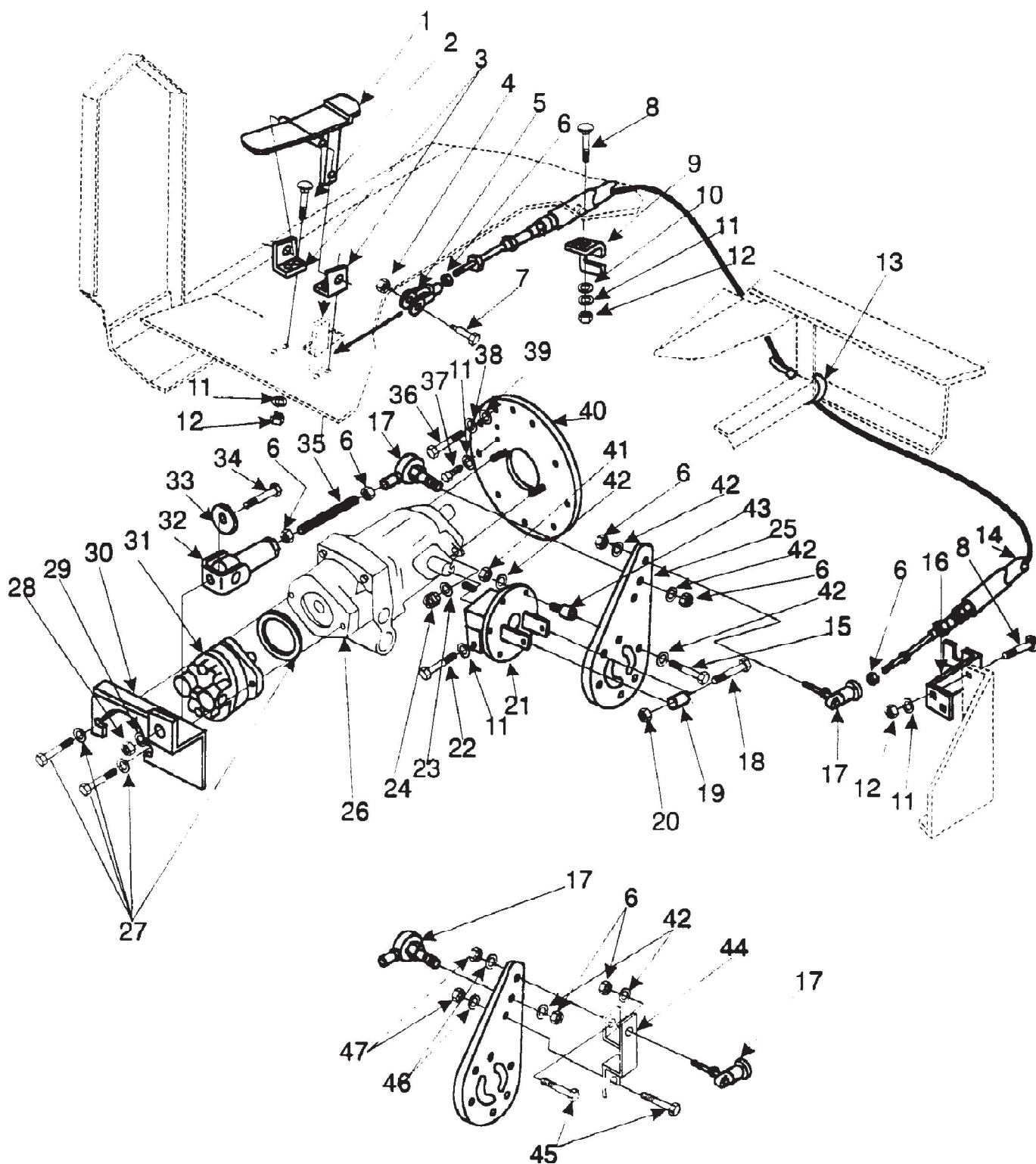
Referenznummer	Artikelnummer	Menge	Description
1	0895-096	1	Machine Harness
2	0875-008	1	Battery
3	8-09-01077	1	Snap Bushing
4	8-90-07211	Ref	Battery Cable-(Positive)
	2-00-05171	1	Protective Boot, Red
5	7-90-07262	Ref	Battery Cable-(Negative)
	2-00-05173	1	Protective Boot, Black
6	2-00-00641	1	Nut, Hex 1/4-20 Fiber Lock
7	8-32-09013	1	Horn
8	0875-108	1	Hopper Wire Assembly
9	8-09-01082	1	Bushing-Universal
10	8-09-01083	1	Bushing-Connector (Liquid Tight)
11	2-00-04378	2	Clip, .281
12	2-00-00221	3	Screw, 1/4-20 x .750 HHC
13	8-82-00049	Ref	Hopper Switch
14	2-00-00594	3	Nut, Hex 1/4-20 x .437 x .218
15	2-00-00585	1	Nut, Hex 5/16-18 x .500 x .265
16	2-00-00530	1	Lock Washer, Helical Spring 5/16 Med
17	2-00-00208	1	Screw, 5/16-18 x .750 HHC
18	2-00-04873	1	Clamp
19	0895-100	1	411 Engine Harness
20	0895-085	Ref	Instrument Panel Harness
21	7-13-07096	20	Clamp-Adjustable
22	2-00-04345	5	Ty-Rap
23	2-00-03063	1	Screw, #10-24 x .750 HHC
24	2-00-01246	1	Nut, Hex #10-24 Fiber Lock
25	2-00-00519	1	Lock Washer, Helical Spring #10 Med
26	2-00-00605	1	Nut, Hex #10-24
27	2-00-04937	1	Cable Tie
28	0882-027	Ref	Shaker Motor
29	2-00-00503	5	Lock Washer, 1/4 Int/Ext
30	8-09-01081	2	Snap Bushing
31	8-69-00006	Ref	Water Temperature Sender (WTS)
32	8-69-00005	Ref	Oil Pressure Sender (OPS)
33	8-82-00046	Ref	Oil Pressure Switch (OP-SW)
34	0895-077	Ref	Wiring Harness (BI-WH)
35	2-00-04952	1	Protective Boot, Red



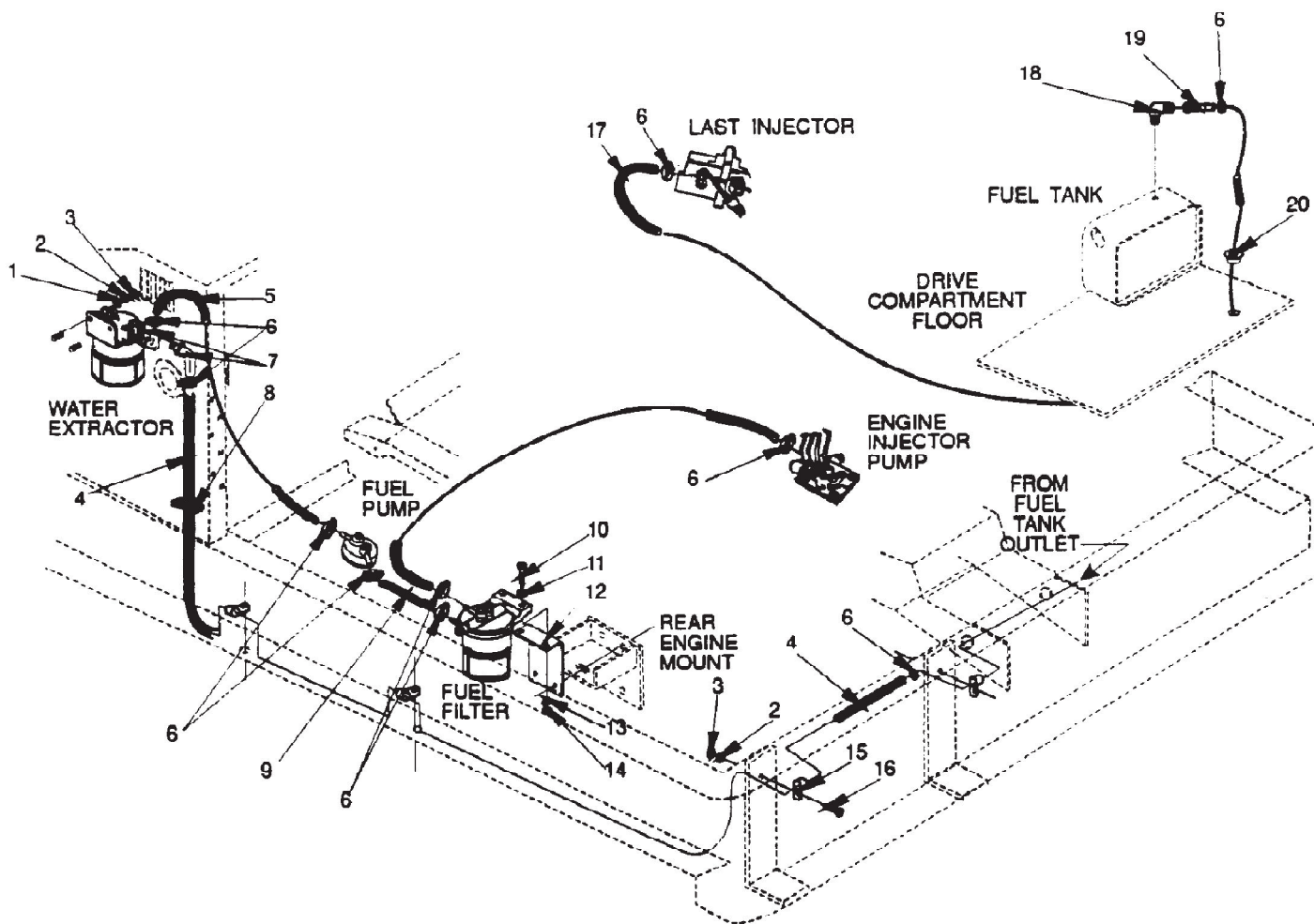
Referenznummer	Artikelnummer	Menge	Description
1	0877-050	1	Engine, FORD VSG 413
2	8-08-00679	1	Motor Mount R.H. Front
3	8-08-00674	1	Motor Mount L.H. Front
4	8-08-00574	1	Motor Mount Rear
5	2-00-04699	4	Screw, 3/8 - 16 x 2.750 HHC
6	2-00-03266	4	Flat Washer, 1.296 x .375 x .125
7	2-00-03829	3	Lock Washer, .375 Int.
8	2-00-04851	8	Flat Washer, 1.560 x .391 x .090
9	8-75-01163	2	Spacer
10	8-75-01155	4	Isolator Mount
11	2-00-00643	4	Nut, Hex Fiber Insert 3/8 - 16
12	2-00-00209	4	Screw, 3/8-16 x 1.250 HHC
13	2-00-02360	5	Nut, Hex 3/8 - 16 x .562 x .328
14	2-00-02310	11	Lock Washer, Helical Spring 3/8 Med
15	2-00-01254	2	Screw, 1/2 - 13 x 1.500 HHC
16	8-58-05225	1	Flywheel Adapter Plate
17	2-00-00233	9	Screw, 3/8 - 16 x 1.000 HHC
18	0885-059	1	Coupling
19	8-58-05171	1	Pump Mounting Plate
20	8-69-00005	1	Oil Pressure Sender
21	2-00-04853	1	Reducer Bushing
22	2-00-03874	1	Pipe Tee, 1/8 NPT
23	8-82-00046	1	Pressure Switch
24	8-33-02161	1	Upper Radiator Hose
25	8-33-02248	1	Lower Radiator Hose
26	2-00-03404	4	Hose Clamp, 1.062 x 2.000
27	8-69-00006	1	Water Temperature Sender
28	8-90-07328	1	Ground Cable
29	2-00-04159	2	Flat Washer, 9/16 ID
30	2-00-02312	2	Lock Washer, Helical Spring 1/2 Med
31	2-00-05004	1	Nipple, 1/8 NPT
32	2-00-00402	7	Flat Washer, 3/8
33	8-23-00011	1	Fan



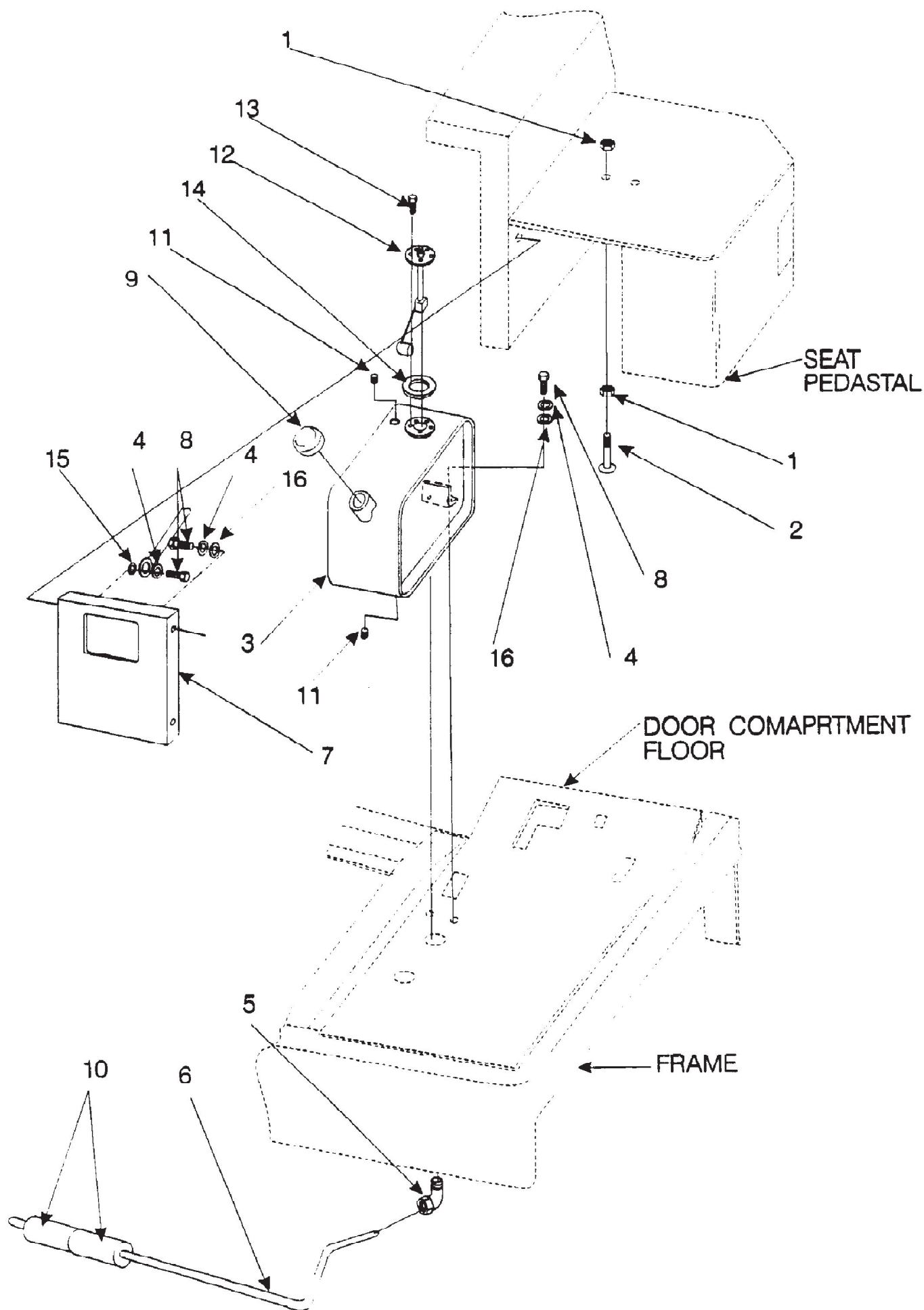
Referenznummer	Artikelnummer	Menge	Description
1	0895-096	1	Machine Harness
2	0875-008	1	Battery
3	8-09-01077	1	Snap Bushing
4	8-90-07211	Ref	Battery Cable-(Positive)
	2-00-05171	1	Protective Boot, Red
5	7-90-07262	Ref	Battery Cable-(Negative)
	2-00-05173	1	Protective Boot, Black
6	2-00-00641	1	Nut, Hex 1/4-20 Fiber Lock
7	8-32-09013	1	Horn
8	0875-108	1	Hopper Wire Assembly
9	8-09-01082	1	Bushing-Universal
10	8-09-01083	1	Bushing-Connector (Liquid Tight)
11	2-00-04378	2	Clip, .281
12	2-00-00221	3	Screw, 1/4-20 x .750 HHC
13	8-82-00049	Ref	Hopper Switch
14	2-00-00594	3	Nut, Hex 1/4-20 x .437 x .218
15	2-00-00585	1	Nut, Hex 5/16-18 x .500 x .265
16	2-00-00530	1	Lock Washer, Helical Spring 5/16 Med
17	2-00-00208	1	Screw, 5/16-18 x .750 HHC
18	2-00-04873	1	Clamp
19	0895-104	1	413 Engine Harness
20	0895-085	Ref	Instrument Panel Harness
21	7-13-07096	20	Clamp-Adjustable
22	2-00-04345	5	Ty-Rap
23	2-00-03063	1	Screw, #10-24 x .750 HHC
24	2-00-01246	1	Nut, Hex #10-24 Fiber Lock
25	2-00-00519	1	Lock Washer, Helical Spring #10 Med
26	2-00-00605	1	Nut, Hex #10-24
27	2-00-04937	1	Cable Tie
28	0882-027	Ref	Shaker Motor
29	2-00-00503	5	Lock Washer, 1/4 Int/Ext
30	8-09-01081	2	Snap Bushing
31	8-69-00006	Ref	Water Temperature Sender (WTS)
32	8-69-00005	Ref	Oil Pressure Sender (OPS)
33	8-82-00046	Ref	Oil Pressure Switch (OP-SW)
34	2-00-04952	1	Protective Boot, Red



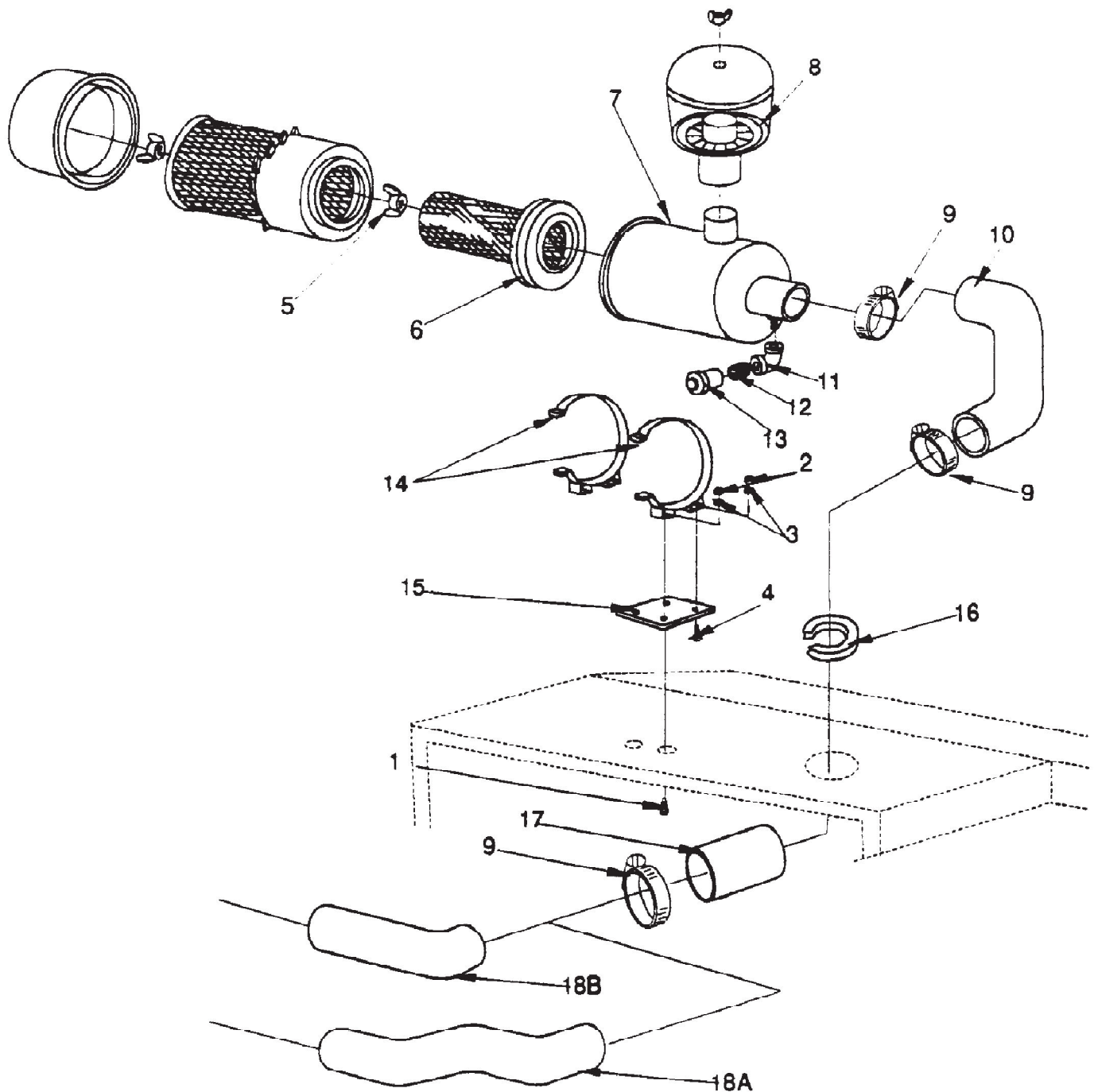
Referenznummer	Artikelnummer	Menge	Description
1	8-55-00029	1	Forward/Reverse Pedal
2	2-00-03569	4	Carriage Bolt, 5/16-18 x .750
3	8-08-00723	2	Forward/Reverse Pedal Bracket
4	2-00-01246	1	Nut, Hex Fiber Insert #10-24
5	8-14-01006	1	Clevis
6	2-95-01999	6	Nut, Hex Jam 1/4 - 28 x .437 x .156
7	2-00-04563	1	Screw, #10-24 x .625 x .375 SH
8	2-00-00196	4	Carriage Bolt, 5/16-18 x 1.000
9	8-08-00585	1	Forward/Reverse Cable Mount. Bracket
10	2-00-00409	2	Flat Washer, .687 x .343 x .062
11	2-00-00530	10	Lock Washer, Helical Spring 5/16 Med
12	2-00-00585	8	Nut, Hex 5/16-18 x .50 x .265
13	2-00-04345	2	Plastic Tie Wrap
14	8-16-00030	1	Control Cable
15	2-00-00219	6	Screw, 1/4-20 x .500 HHC
16	8-08-00675	1	Hydroback Bracket (FORD 413)
17	7-25-02050	2	Rod End, 1/4-28
18	2-00-00246	1	Screw, 1/4-20 x 2.250 HHC
19	7-75-01110	1	Transmission Arm Spacer
20	2-00-00641	1	Nut, Hex Fiber Insert 1/4-20
21	7-03-04105	1	Transmission Arm
22	2-00-00225	1	Screw, 5/16-18 x 1.500 HHC
23	2-00-04801	2	Flat Washer, .875 x .375 x .125
24	2-00-03412	2	Nut, Hex Lock 3/8 - 24 x .562 x .281
25	7-58-05220	1	Transmission Plate
26	8-60-05006-2	1	Pump, 1.24 C.I.R.
27	0880-404	1	Pump Assembly Kit
28	2-00-00596	1	Nut, Hex 1/2-13 x .750 x .437
29	2-00-02312	1	Lock Washer, Helical Spring 1/2 Med
30	8-08-00678	1	Hydroback Bracket
31	8-60-05022	1	Pump, 1.20 C.I.R.
32	8-16-00025	1	Centering Control
33	2-00-00405	1	Flat Washer, 1.062 x .531 x .093
34	2-00-00240	1	Screw, 1/2-13 x 1.250 HHC
35	7-66-00147	1	Rod, 1/4-28 x 3.000
36	2-00-00233	8	Screw, 3/8-16 x 1.000 HHC
37	2-00-00224	2	Screw, 5/16-18 x .500 HHC
38	2-00-02310	8	Lock Washer, Helical Spring 3/8 Med
39	2-00-00402	8	Flat Washer, .750 x .390 x .093
40	8-58-05171	1	Pump Mounting Plate (FORD 411/413)
41	2-00-00594	6	Nut, Hex 1/4-20 x .437 x .218
42	2-00-00501	14	Lock Washer, 1/4 Int.
43	7-75-01089	6	Isolator
44	8-08-00682	1	Swivel Mounting Bracket (Diesel)
45	2-00-00221	2	Screw, 1/4-20 x .750 HHC
46	2-00-00501	2	Lock Washer, 1/4 Int.
47	2-00-00594	2	Nut, Hex 1/4 - 20



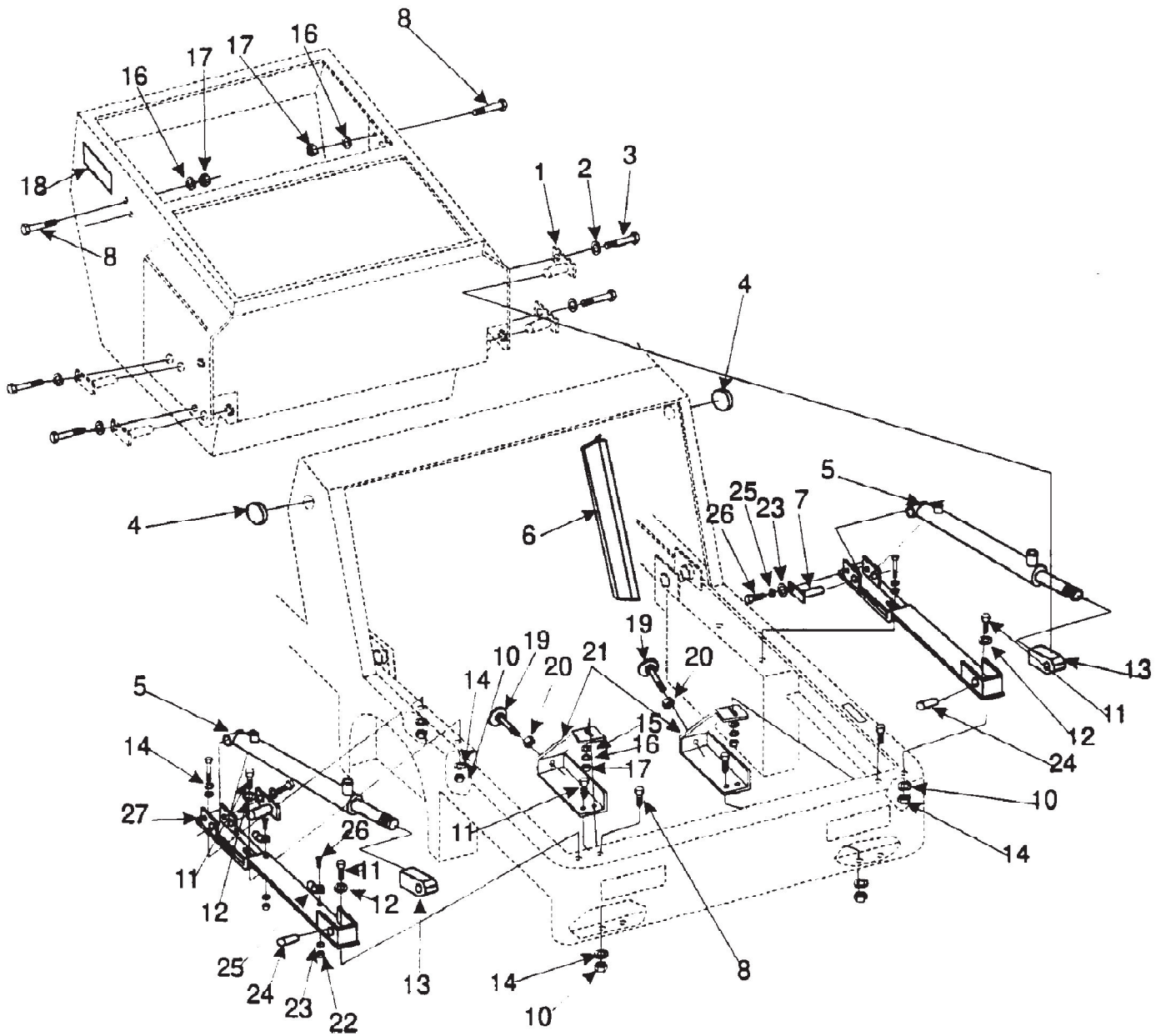
Referenznummer	Artikelnummer	Menge	Description
1	2-00-03702	3	Flat Washer, .620 x .281 x .062
2	2-00-00518	2	Lock Washer, Helical Spring 1/4 Med
3	2-00-00594	2	Nut, Hex 1/4-20 x .437 x .218
4	8-33-02268	1	Hose, Fuel Line 80.00
5	8-33-02208	1	Hose, Seperator to Pump, 90.000
6	2-95-04388	8	Hose Clamp, .625
7	8-87-02101	2	Fuel Line Outlet
8	8-08-07045	1	Edging
9	8-33-02257	1	Fuel Line, Pump to Filter 13.50
10	2-00-00234	2	Screw, 3/8-16 x 1.500 HHC
11	2-00-00402	2	Flat Washer, .750 x .390 x .093
12	8-08-00710	1	Fuel Filter Bracket
13	2-00-02310	2	Lock Washer, Helical Spring 3/8 Med
14	2-00-02360	2	Nut, Hex 3/8-16 x .562 x .328
15	2-00-04602	4	Clamp, Fuel Line Hose
16	2-00-00221	1	Screw, 1/4-20 x .750 HHC
17	8-33-02270	1	Fuel Return Hose
18	8-56-05021	1	45ø SAE Male 90ø Elbow, 1/4
19	2-00-04618	1	Hose Fitting Barbed, F 45ø Flared Swivel, 7/16-20
20	8-09-01077	1	Snap Bushing, 2.125 x .453



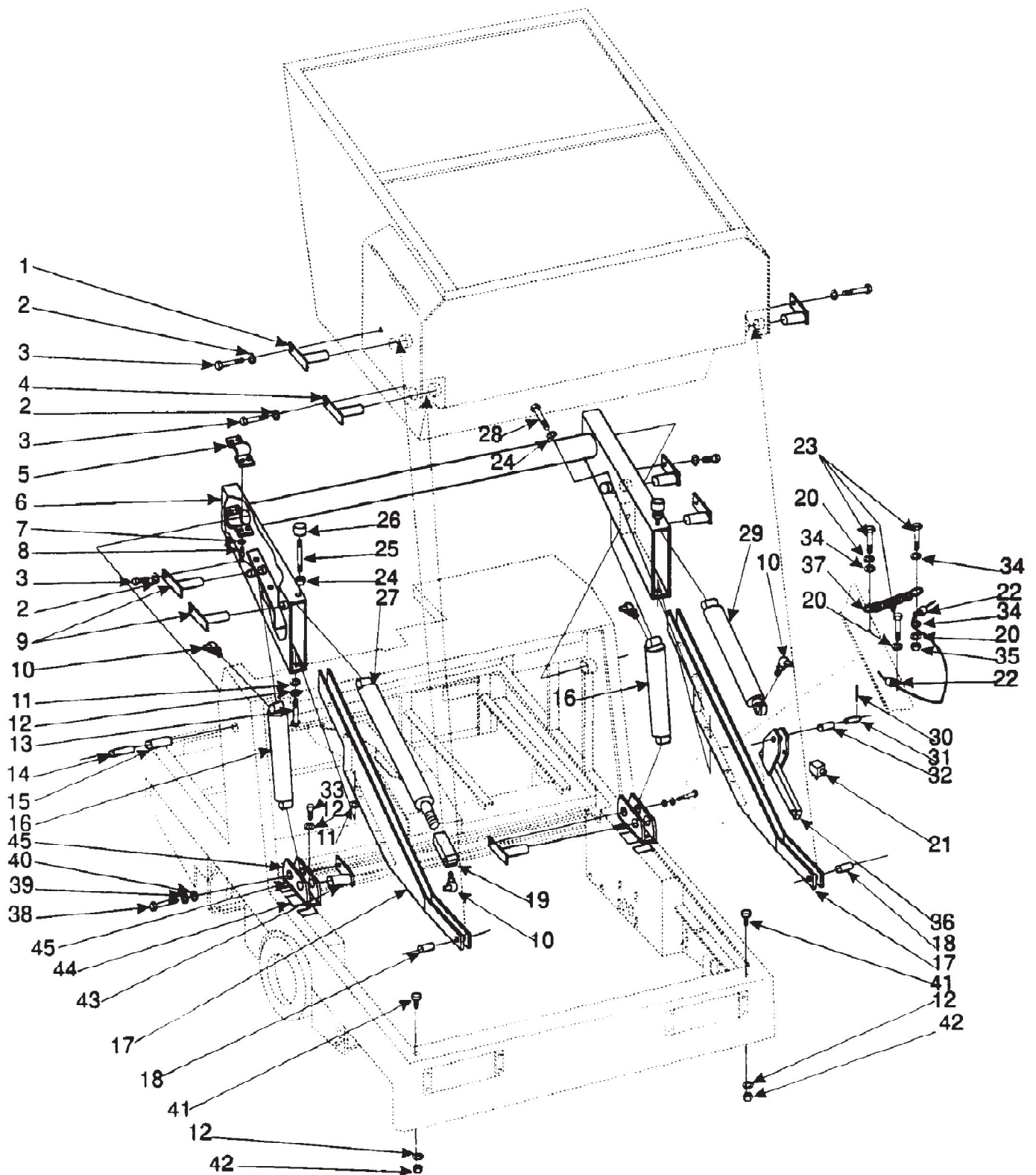
Referenznummer	Artikelnummer	Menge	Description
1	2-00-02369	2	Nut, Hex Jam 3/8 -16 x .562 x .218
2	7-50-05144	1	Pad
3	8-83-04029	1	Fuel Tank
4	2-00-00518	6	Lock Washer, Helical Spring 1/4 Med
5	2-00-04901	1	Compression Male 90° Elbow, 1/8 (Gasoline Only)
6	8-87-02109	1	Fuel Line (FORD 413 - Gas)
7	8-52-00127	1	Rear Wall
8	2-00-00221	6	Screw, 1/4 - 20 x .750 HHC
9	7-11-00029	1	Fuel Cap
10	8-08-07038	2	Bumper, Fuel Line
11		2	Plug, 1/2 NPT (Gasoline Only)
12	8-26-04003	1	Fuel Tank Sender Float
13	2-00-04737	5	Screw, #10 - 32 x .44 (Self Seal)
14	8-29-00131	1	Gasket
15	2-00-00503	1	Lock Washer, 1/4 Int/Ext
16	2-00-00407	5	Flat Washer, .562 x .265 x .062



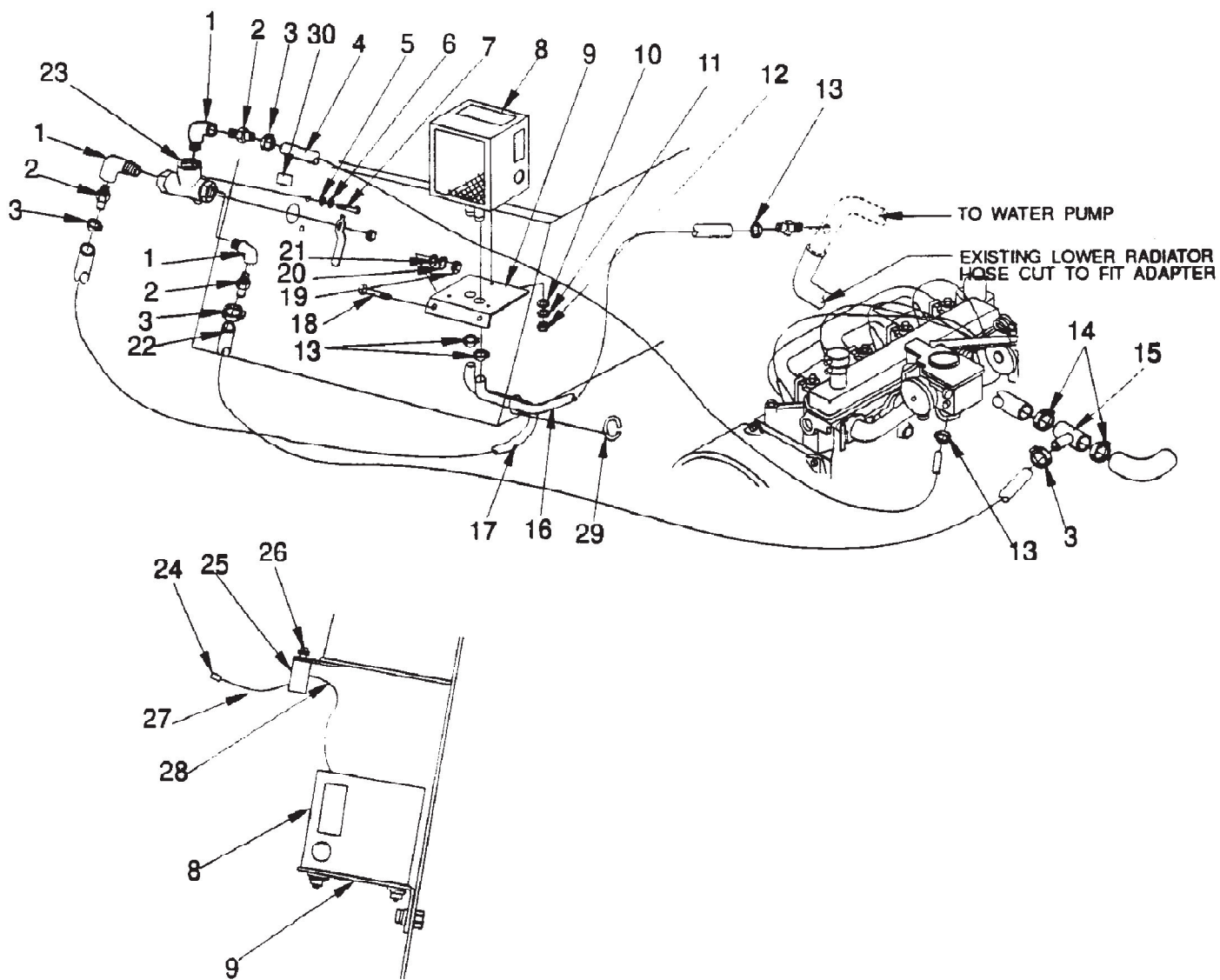
Referenznummer	Artikelnummer	Menge	Description
1	2-00-00205	2	Screw, 1/4-20 x 1.000 HHC
2	2-00-00594	4	Nut, Hex 1/4-20
3	2-00-00518	4	Lock Washer, Helical Spring 1/4
4	2-00-03027	2	Screw, 1/4-20 x .625 HSFHS
5	8-23-03064	1	Wing Nut Assembly
6	8-24-04111	1	Filter Element
7	8-24-04100	1	Air Cleaner Assembly
8	8-24-04092	1	Pre-Cleaner Assembly
9	2-00-02217	3	Hose Clamp
10	8-33-02272	1	Molded Hose
11	2-00-03641	1	90° Elbow, 1/8 NPT
12	2-95-02519	1	Close Nipple, 1/8 NPT
13	8-24-04101	1	Filter Minder (Meter)
14	8-24-04093	2	Clamp Assembly
15	8-58-05263	1	Clamp Assembly Mounting Plate
16	7-21-04022	1	Edging
17	8-87-02110	1	Air Intake Tube
18A	8-33-02212	1	Flex Hose (FORD 411)
18B	8-33-02236	1	Molded Elbow (FORD 413)
	0880-525		FORD 411 Engine
	0880-526		FORD 413 Engine



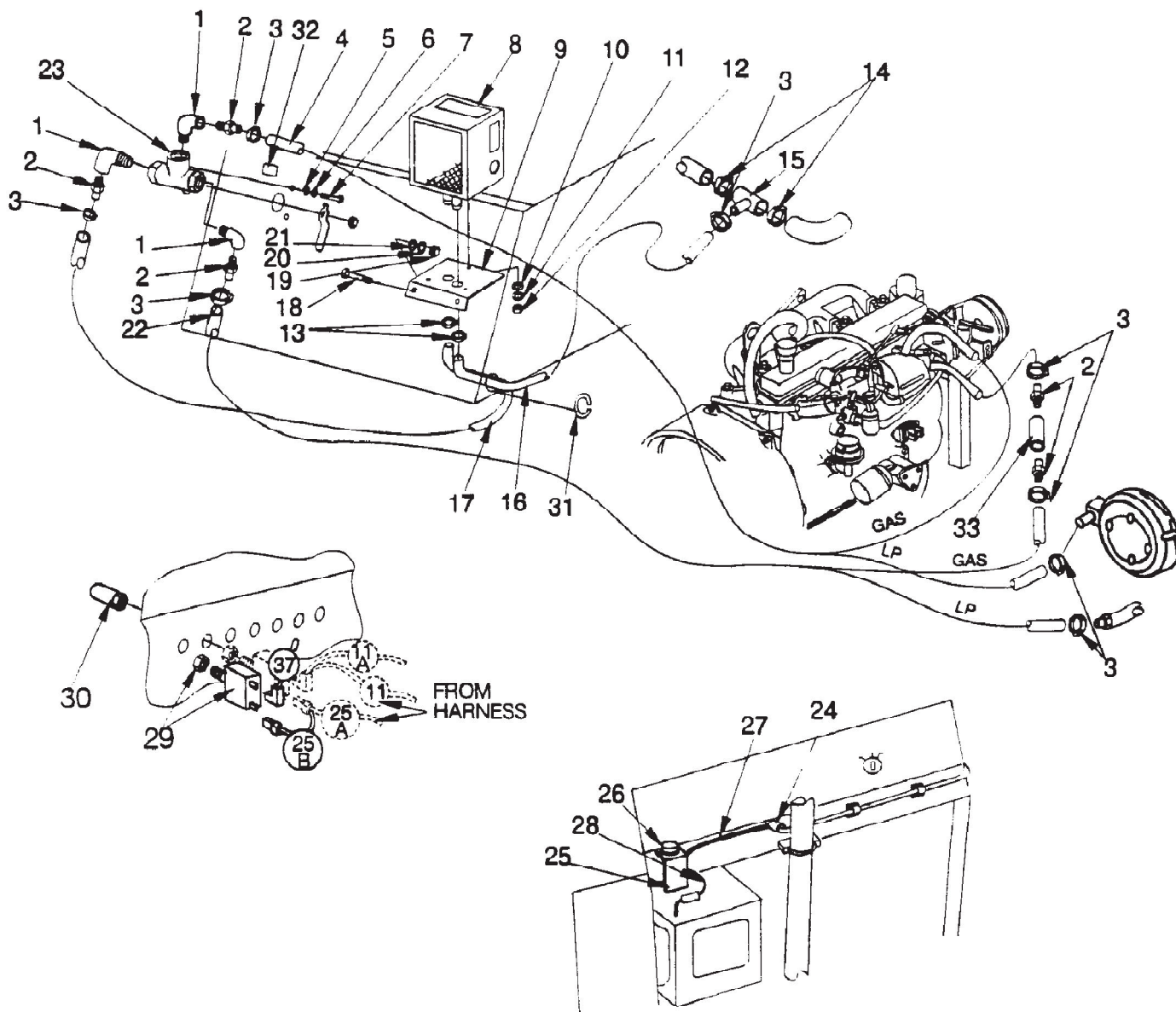
Referenznummer	Artikelnummer	Menge	Description
1	8-55-08105	1	Hopper Dump Pin
2	2-00-00518	4	Lock Washer, Helical Spring 1/4 Med
3	2-00-00221	4	Screw, 1/4 - 20 x .750 HHC
4	2-00-04432	2	Plug Button, 2.093
5	8-17-05033	2	Low Dump Cylinder
	0880-505	2	Seal Kit for Low Dump Cylinder
6	8-21-04041	2	Low Dump Lintel Edging
7	8-55-08102	2	Pin
8	2-00-00233	6	Screw, 3/8 - 16 x 1.000 HHC
9	8-18-00305	Ref	Decal, Warning Pinch Point
10	2-00-00596	6	Nut, Hex 1/2 - 13 x .750 x .437
11	2-00-00240	10	Screw, 1/2 - 13 x 1.250 HHC
12	2-00-04159	6	Flat Washer, 1.375 x .562 x .109
13	8-14-01010	2	Clevis
14	2-00-02312	10	Lock Washer, Helical Spring 1/2 Med
15	2-00-00402	2	Flat Washer, .750 x .390 x .093
16	2-00-02310	6	Lock Washer, Helical Spring 3/8 Med
17	2-00-02360	6	Nut, Hex 3/8 - 16 x .562 x .328
18	8-18-00314	Ref	Decal, Warning Service Precaution
19	8-78-05019	2	Hopper Stop
20	2-00-00598	2	Nut, Hex Jam 1/2 - 13 x .875 x .296
21	8-08-00628	2	Low Dump Hopper Stop Bracket
22			UNKNOWN
23	2-00-00409	2	Flat Washer, 5/16
24	2-00-04894	2	Sleeve Bearing, 1.254 x 1.003 x 2.500
25	2-00-00530	2	Lock Washer, 5/16
26	2-00-00213	2	Screw, 5/16-18 x 5/8
27	8-08-00751	2	Low Dump Mounting Bracket



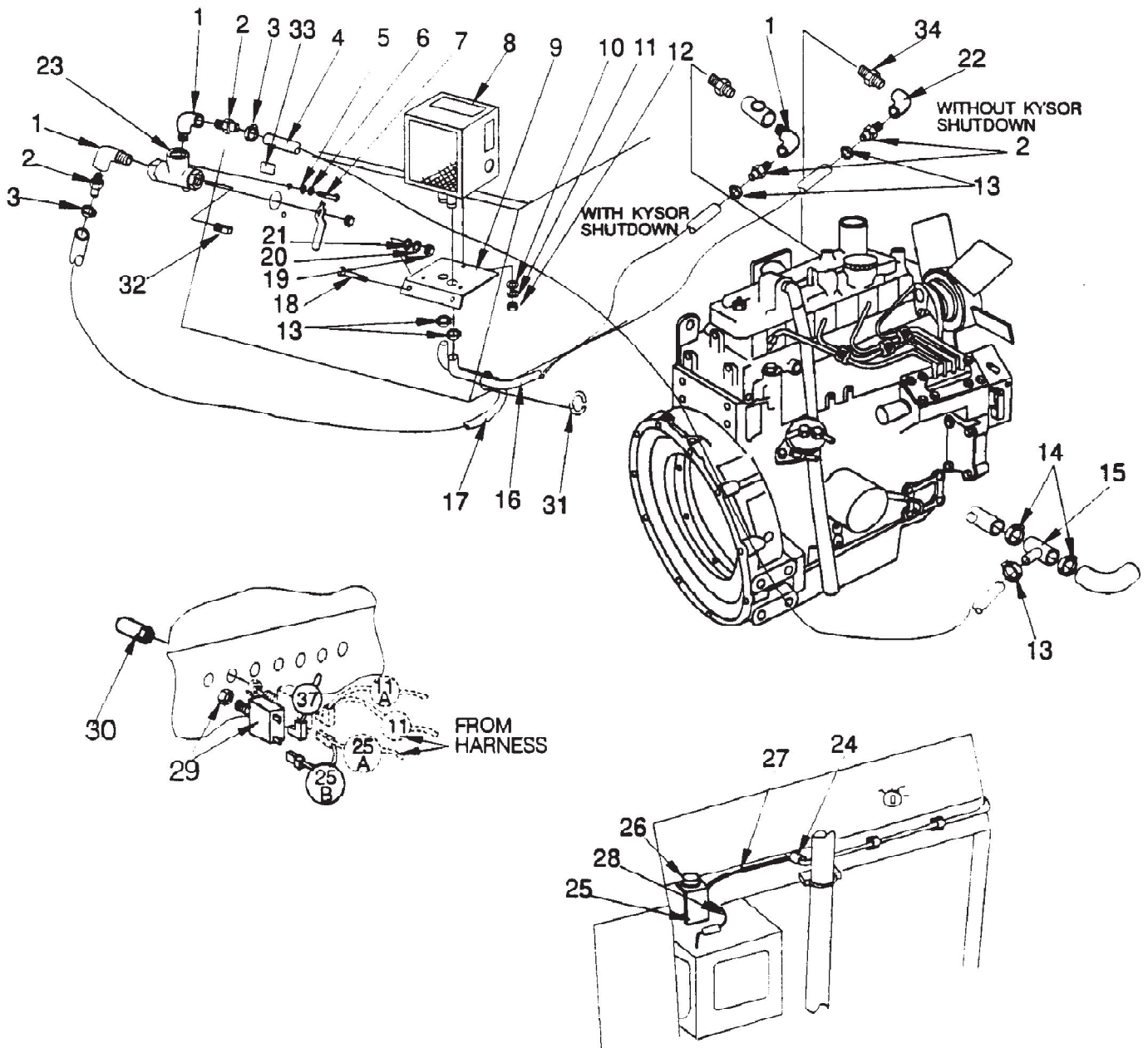
Referenznummer	Artikelnummer	Menge	Description
1	8-55-08105	1	Hopper Dump Pin
2	2-00-00518	7	Lock Washer, Helical Spring 1/4 Med
3	2-00-00221	7	Screw, 1/4 - 20 x .750 HHC
4	8-55-08104	2	Hopper Pivot Pin
5	8-13-07083	2	Pivot Pin Half Clamp
6	8-03-04247	1	Arm Pivot Bracket Assembly
7	2-00-02310	1	Lock Washer, Helical Spring 3/8 Med
8	2-00-00209	4	Screw, 3/8 - 16 x 1.250 HHC
9	8-55-08102	4	Pin (Upper)
10	2-00-02558	4	Lubrication Fitting, 45ø 1 1/8 NPT
11	2-00-04159	8	Flat Washer, 1.375 x .562 x .109
12	2-00-02312	8	Lock Washer, Helical Spring 1/2 Med
13	2-00-01254	6	Screw, 1/2 - 13 x 1.500 HHC
14	8-55-08107	2	Pin (Arm Pivot)
15	2-00-04893	2	Sleeve Bearing, 2.005 x 1.503 x 2.000
16	8-17-05029	2	Lift Cylinder
	0880-449	2	Seal Kit for Lift Cylinder
17	8-03-04246	2	Lower Arm
18	2-00-04894	2	Sleeve Bearing, 1.254 x 1.003 x 2.500
19	8-14-01010	1	Clevis, Dump Cylinder
20	2-00-00519	5	Lock Washer, Helical Spring #10 Med
21	8-82-00050	1	Switch Lift Arm Lockout
22	2-00-04378	2	Clip, .281
23	2-00-00056	3	Screw, #10 - 24 x .750 RHM
24	2-00-00598	4	Nut, Hex Hvy. Jam 1/2 - 13 x .875 x .296
25	8-80-05014	2	Stud, 1/2-13 UNF-2A
26	7-78-05009	2	Stop Pad
27	8-17-05028	1	Dump Cylinder
	0880-451	1	Seal Kit for Dump Cylinder
28	2-00-04967	2	Screw, 1 1/2 - 13 x 2.500 HHM
29	8-17-05030	1	Rotation Cylinder
	0880-450	1	Seal Kit for Rotation Cylinder
30	2-00-02436	1	Cotter Pin, .187 x 1.750
31	8-55-08103	1	Hopper Rotate Pin
32	8-06-01083	1	Bushing
33	2-00-00071	2	Screw, #10 - 24 x 1.250 RHM
34	2-00-00426	5	Flat Washer, .500 x.218 X.062
35	2-00-00605	3	Nut, Hex MS #10 - 24 x .375 x .125
36	8-03-00743	1	Rotate Cylinder Bracket
37	7-76-00050-1	1	Spring
38	2-00-00213	2	Screw, 5/16 - 18 x .625 HHC
39	2-00-00530	2	Lock Washer, Helical Spring 5/16 Med
40	2-00-00409	2	Flat Washer, .687 x .343 x .062
41	8-50-05054	2	Rubber Pad
42	2-00-00596	2	Nut, Hex 1/2 - 13 x .750 x .437
43	8-55-08102	2	Pin (Lower)
44	8-71-00017		Shim
45	8-08-00742	2	Lift Cylinder Bracket



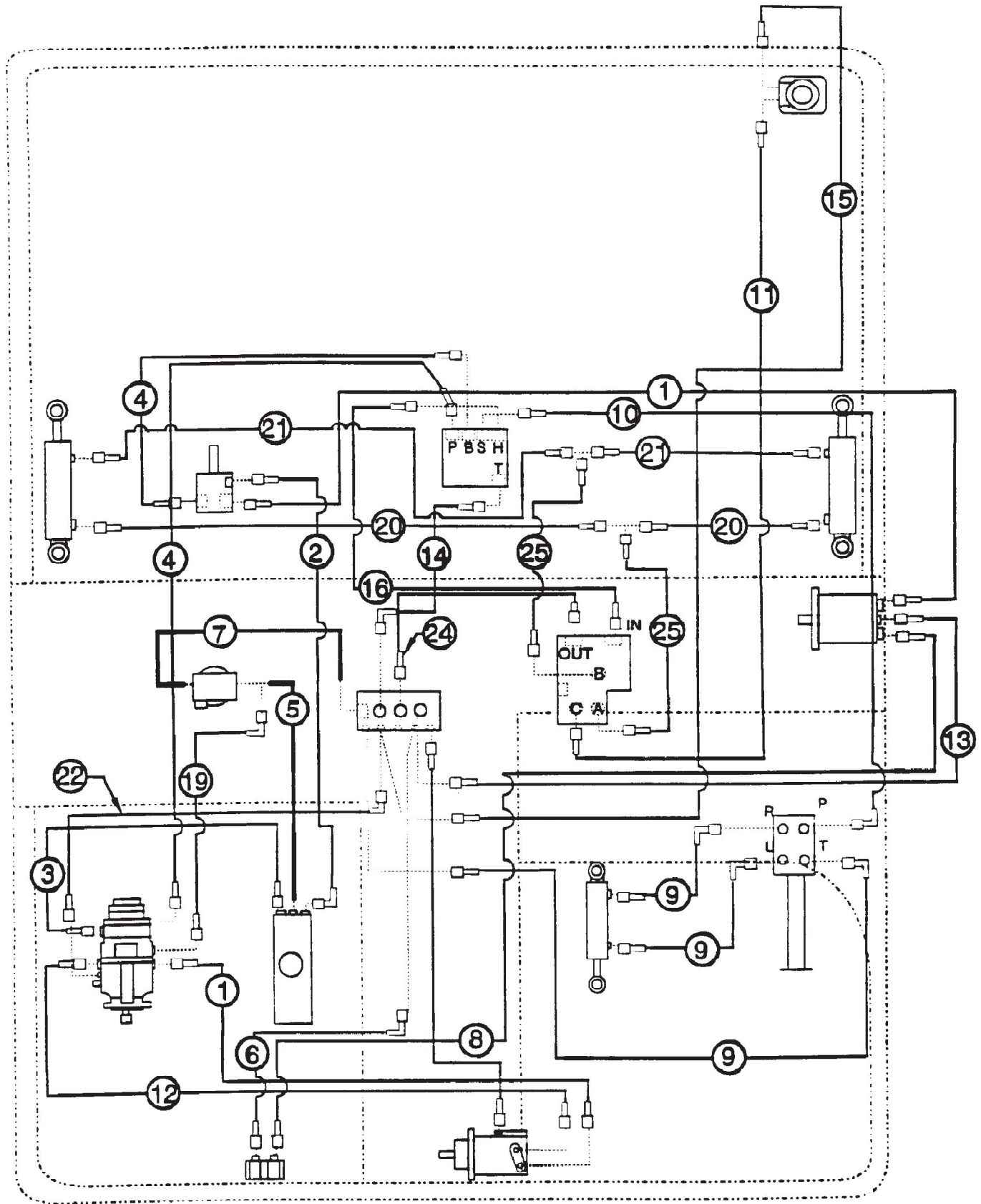
Referenznummer	Artikelnummer	Menge	Description
	0880-382		Heater Option
1	2-00-04328	3	Street Elbow 90°, 1/2 NPT
2	7-25-02040	3	Straight Barb Stem, 1/2-14
3	2-00-03407	4	Hose Clamp, .562 - 1.062
4		1	Heater Hose, 5/8
5	2-00-01987	4	Flat Washer, .437 x .200 x .036
6	2-00-00519	2	Lock Washer, Helical Spring #10 Med
7	2-00-03059	2	Screw, #10 - 24 x .375 RHM
8		1	Heater Assembly
9		1	Mounting Bracket
10		3	Flat Washer
11		3	Lock Washer
12		3	Nut
13		4	Hose Clamp
14	2-00-03404	2	Hose Clamp, 1.062 - 2.000
15		1	Adapter
16		1	Hose, 5/8 x 39
17		1	Hose, 5/8 x 39
18	2-00-00208	2	Screw, 5/16 - 18 x .750 HHC
19	2-00-00585	2	Nut, Hex 5/16 - 18 x .500 x .265
20	2-00-00530	2	Lock Washer, Helical Spring 5/16
21	2-00-00409	2	Flat Washer, .687 x .343 x .062
22		1	Hose, 5/8 x 67
23	8-88-00043	1	Heat Valve
24	2-00-04479	1	Connector, 3 Wire
25		1	Switch Mounting Bracket
26		1	Switch
27	8-90-07379	1	Wire, Heater Switch to Power
28	8-90-07378	1	Wire, Heater Switch to Heater
29	8-08-07048	1	Edging
30	8-18-00331	1	Decal, Heater Valve
	0880-410		Heater Kit



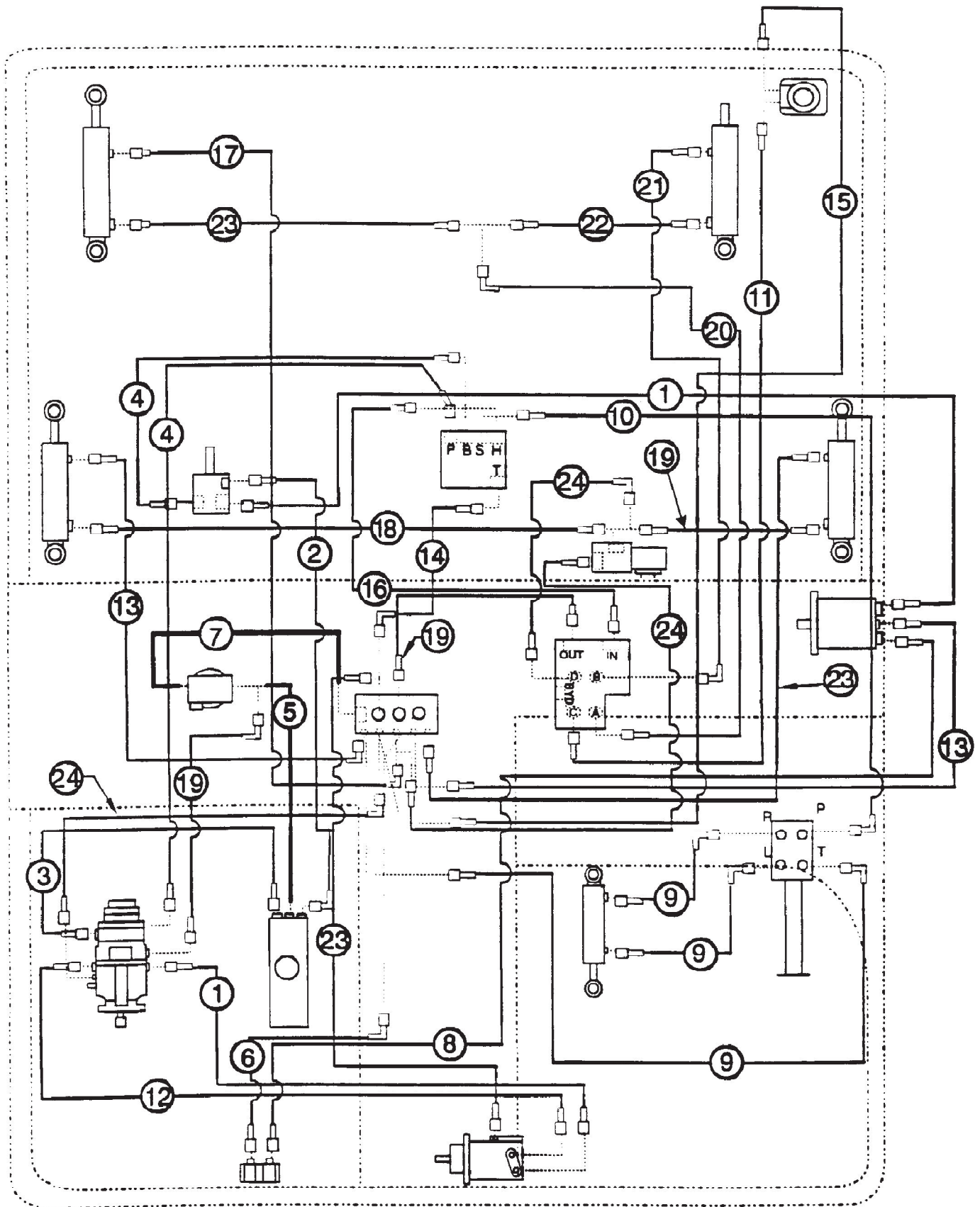
Referenznummer	Artikelnummer	Menge	Description
	0880-384		Heater Option
1	2-00-04328	3	Street Elbow 90°, 1/2 NPT
2	7-25-02040	5	Straight Barb Stem, 1/2-14
3	2-00-03407	6	Hose Clamp, .562 - 1.062
4		1	Heater Hose, 5/8
5	2-00-01987	4	Flat Washer, .437 x .200 x .036
6	2-00-00519	2	Lock Washer, Helical Spring #10 Med
7	2-00-03059	2	Screw, #10 - 24 x .375 RHM
8		1	Heater Assembly
9		1	Mounting Bracket
10		3	Flat Washer
11		3	Lock Washer
12		3	Nut
13		4	Hose Clamp
14	2-00-03404	2	Hose Clamp, 1.062 - 2.000
15		1	Adapter
16		1	Hose, 5/8 x 39
17		1	Hose, 5/8
18	2-00-00208	2	Screw, 5/16 - 18 x .750 HHC
19	2-00-00585	2	Nut, Hex 5/16 - 18 x .500 x .265
20	2-00-00530	2	Lock Washer, Helical Spring 5/16
21	2-00-00409	2	Flat Washer, .687 x .343 x .062
22		1	Heater Hose 5/8
23	8-88-00043	1	Heat Valve
24	2-00-04479	1	Connector, 3 wire
25		1	Switch Mounting Bracket
26		1	Switch
27	8-90-07379	1	Wire, Heater Switch to Power
28	8-90-07378	1	Wire, Heater Switch to Heater
29	8-64-00008	1	Circuit Breaker 15 Amp
30	8-11-00044	1	Boot
31	8-08-07048	1	Edging
32	8-18-00331	1	Decal, Heater Valve
33	2-00-04725	1	Pipe Coupling 1/2 NPT
	0880-410		Heater Kit



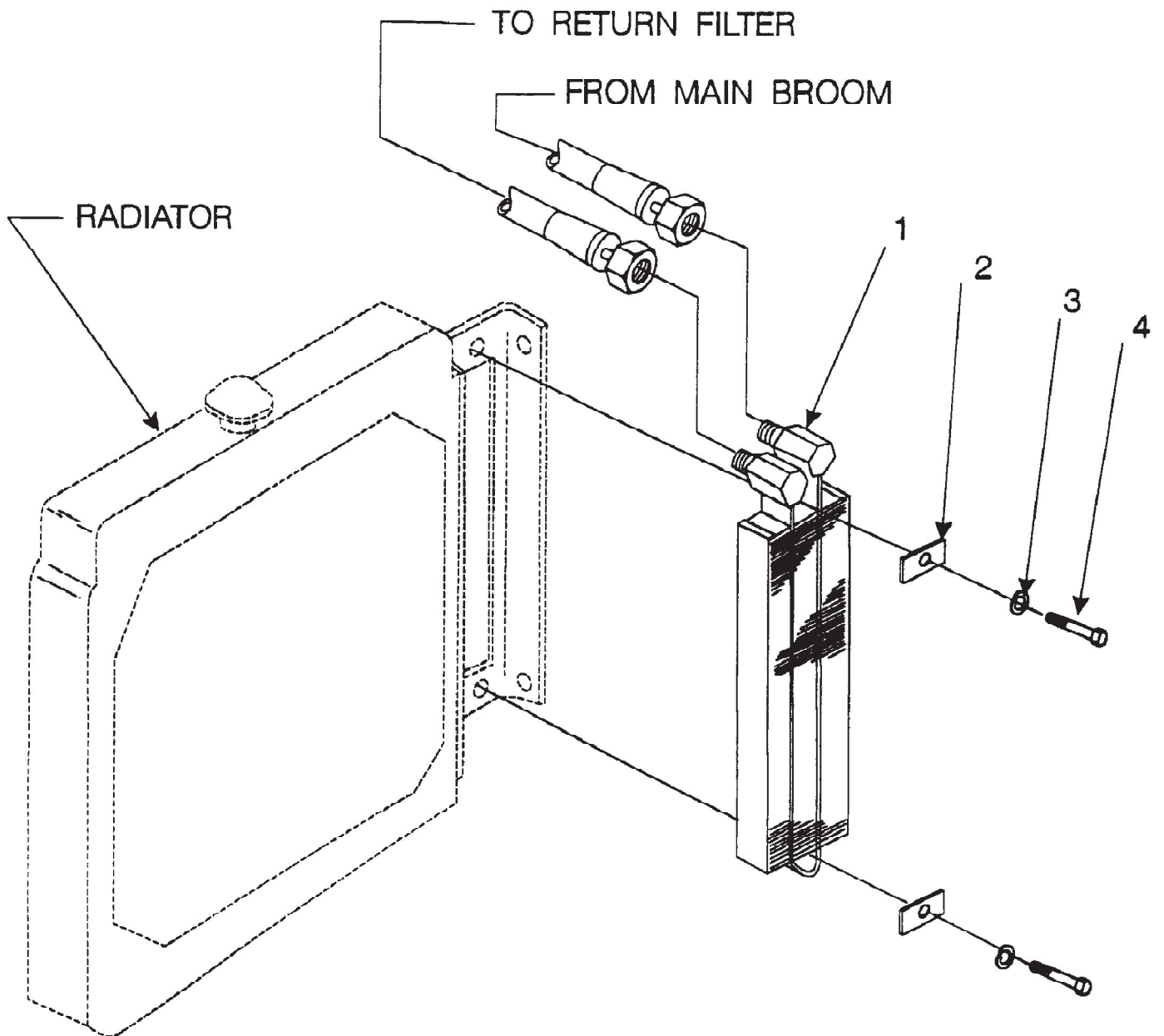
Referenznummer	Artikelnummer	Menge	Description
	0880-384		Heater Option
1	2-00-04328	3	Street Elbow 90°, 1/2 NPT
2	7-25-02040	3	Straight Barb Stem, 1/2-14
3	2-00-03407	2	Hose Clamp, .562 - 1.062
4		1	Heater Hose, 5/8
5	2-00-01987	4	Flat Washer, .437 x .200 x .036
6	2-00-00519	2	Lock Washer, Helical Spring #10 Med
7	2-00-03059	2	Screw, #10 - 24 x .375 RHM
8		1	Heater Assembly
9		1	Mounting Bracket
10		3	Flat Washer
11		3	Lock Washer
12		3	Nut
13		4	Hose Clamp
14	2-00-03404	2	Hose Clamp, 1.062 - 2.000
15		1	Adapter
16		1	Hose, 5/8 x 39
17		1	Hose, 5/8
18	2-00-00208	2	Screw, 5/16 - 18 x .750 HHC
19	2-00-00585	2	Nut, Hex 5/16 - 18 x .500 x .265
20	2-00-00530	2	Lock Washer, Helical Spring 5/16
21	2-00-00409	2	Flat Washer, .687 x .343 x .062
22	2-95-02527	1	Elbow 90° 1/2 NPT
23	8-88-00043	1	Heat Valve
24	2-00-04479	1	Connector, 3 Wire
25		1	Switch Mounting Bracket
26		1	Switch
27	8-90-07379	1	Wire, Heater Switch to Power
28	8-90-07378	1	Wire, Heater Switch to Heater
29	8-64-00008	1	Circuit Breaker 15 Amp
30	8-11-00044	1	Boot
31	8-08-07048	1	Edging
32	2-00-02474	1	Pipe Plug 1/2 NPT
33	8-18-00331	1	Decal, Heater Valve
34	2-00-04638	1	Nipple, 3/8 - 1/2 NPT
	0880-410		Heater Kit



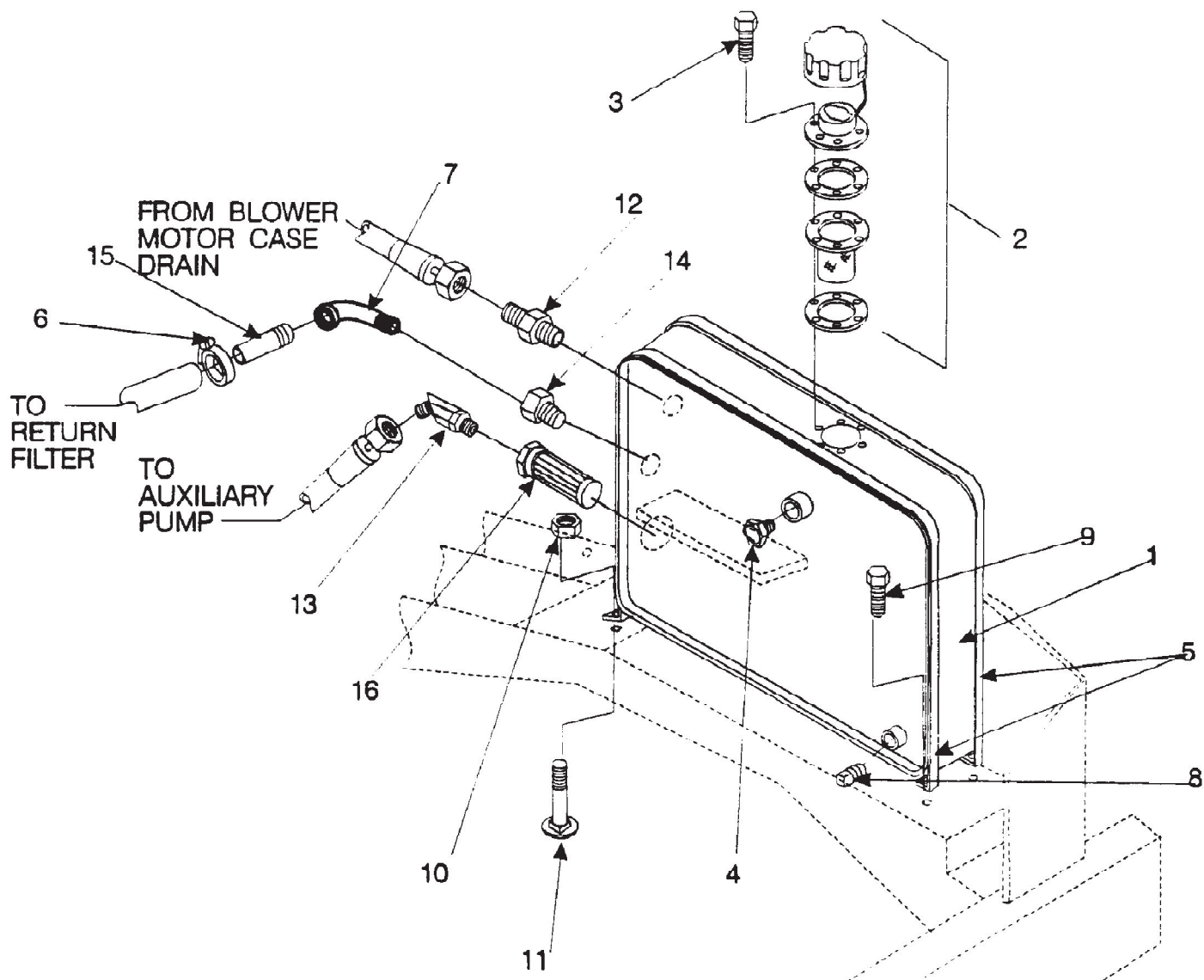
Referenznummer	Artikelnummer	Menge	Description
1	8-33-02267	2	Hose, #8 x 62.000 -0-0-ors-2wb
2	7-33-02189	1	Hose, #4 x 26.000 -0-90-ors-1wb
3	8-33-02215	1	Hose, #12 x 36.000 -0-0-ors-1wb
4	8-33-02265	2	Hose, #8 x 23.000 -0-45-ors-2wb
5	8-33-02273	1	Hose, 1 x 15.000 return
6	8-33-02264	1	Hose, #8 x 52.000 -0-jic-90-ors-1wb
7	7-33-02317	1	Hose, 1 x 15.000 return
8	8-33-02246	2	Hose, #8 x 90-000 -0-jic-0-ors-1wb
9	7-33-02190	3	Hose, #4 x 67.000 -0-90-ors-1wb
10	7-33-02200	1	Hose, #4 x 56.000 -0-90-ors-1wb
11	8-33-02278	1	Hose, #4 x 130.000 -0-0-ors-1wb
12	8-33-02195	1	Hose, #8 x 69.500 -0-0-ors-2wb
13	7-33-02193	1	Hose, #4 x 49.000 -0-90-ors-1wb
14	7-33-02206	1	Hose, #8 x 14.250 -0-90-ors-1wb
15	8-33-02277	1	Hose, #4 x 110.00 -0-0-ors-1wb
16	8-33-02178	1	Hose, #4 x 15.000 -0-0-ors-1wb
19	8-33-02217	1	Hose, #4 x 32.000 -0-0-ors-1wb
20	8-33-02185	2	Hose, #4 x 56.000 -0-0-ors-1wb
21	8-33-02177	2	Hose, #4 x 73.000 -0-0-ors-1wb
22	8-33-02217	1	Hose, #4 x 32.000 -0-0-ors-1wb
23	7-33-02184	1	Hose, #4 x 25.500 -0-0-ors-1wb
24	7-33-02225	1	Hose, #4 x 38.000 -0-0-ors-1wb
25	7-33-02186	2	Hose, #4 x 30.000 -0-0-ors-1wb



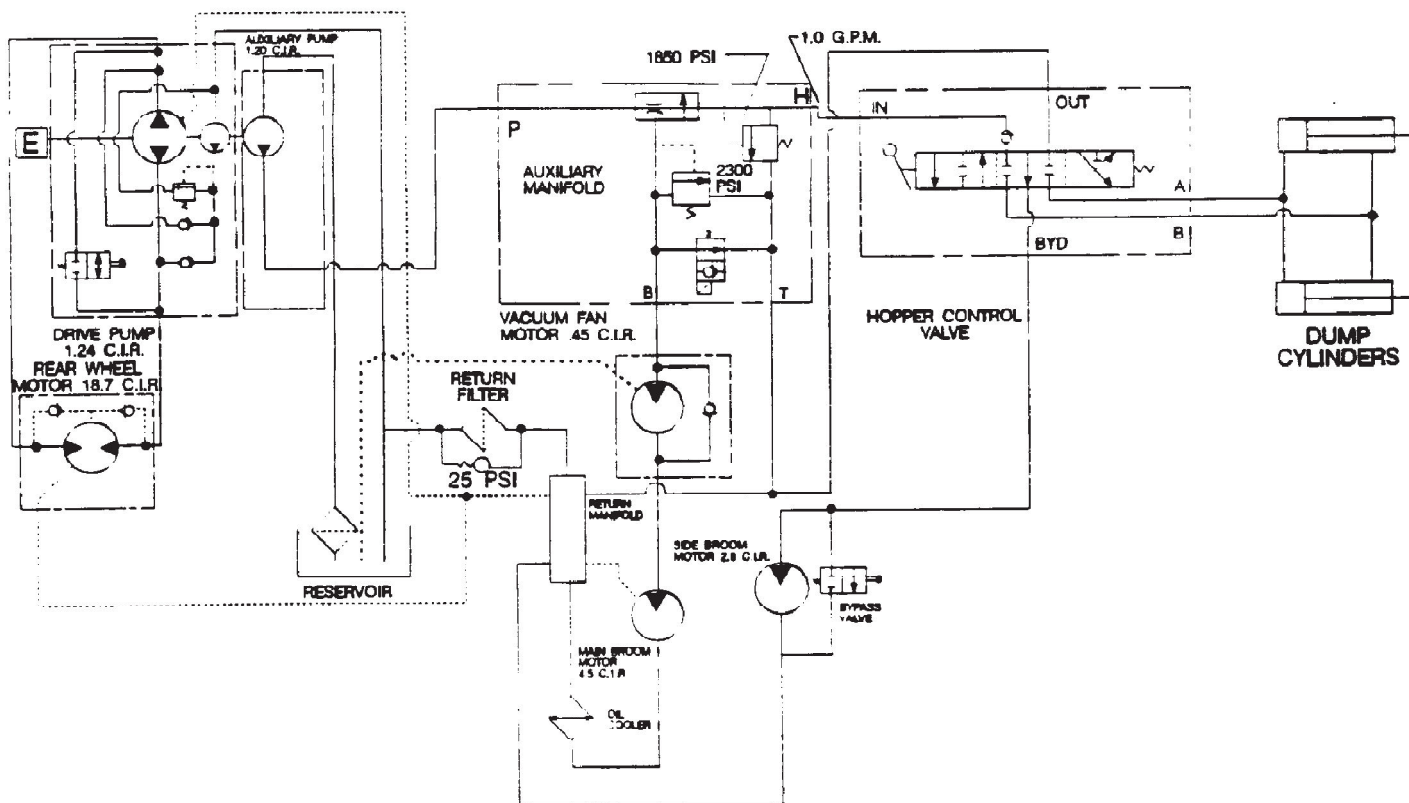
Referenznummer	Artikelnummer	Menge	Description
1	8-33-02267	2	Hose, #8 x 62.000 -0-0-ors-2wb
2	7-33-02189	1	Hose, #4 x 26.000 -0-90-ors-1wb
3	8-33-02215	1	Hose, #12 x 36.000 -0-0-ors-1wb
4	8-33-02265	2	Hose, #8 x 23.000 -0-45-ors-2wb
5	8-33-02273	1	Hose, 1 x 15.000 return
6	8-33-02264	1	Hose, #8 x 52.000 -0-jic-90-ors-1wb
7	7-33-02317	1	Hose, 1 x 15.000 return
8	8-33-02246	2	Hose, #8 x 90.000 -0-jic-0-ors-1wb
9	7-33-02190	3	Hose, #4 x 67.000 -0-90-ors-1wb
10	7-33-02200	1	Hose, #4 x 56.000 -0-90-ors-1wb
11	8-33-02278	1	Hose, #4 x 130.000 -0-0-ors-1wb
12	8-33-02195	1	Hose, #8 x 69.500 -0-0-ors-2wb
13	7-33-02193	1	Hose, #4 x 49.000 -0-90-ors-1wb
14	7-33-02206	1	Hose, #8 x 14.250 -0-90-ors-1wb
15	8-33-02277	1	Hose, #4 x 110.00 -0-0-ors-1wb
16	8-33-02178	1	Hose, #4 x 15.000 -0-0-ors-1wb
17	8-33-02198	1	Hose, #4 x 107.000 -0-90-ors-1wb
18	8-33-02184	1	Hose, #4 x 50.500 -0-0-ors-1wb
19	8-33-02217	3	Hose, #4 x 32.000 -0-0-ors-1wb
20	8-33-02174	2	Hose, #4 x 16.500 -0-90-ors-1wb
21	8-33-02204	1	Hose, #4 x 76.000 -0-90-ors-1wb
22	8-33-02179	1	Hose, #4 x 46.000 -0-0-ors-1wb
23	8-33-02185	3	Hose, #4 x 56.000 -0-0-ors-1wb
24	7-33-02225	3	Hose, #4 x 32.000 -0-90-ors-1wb

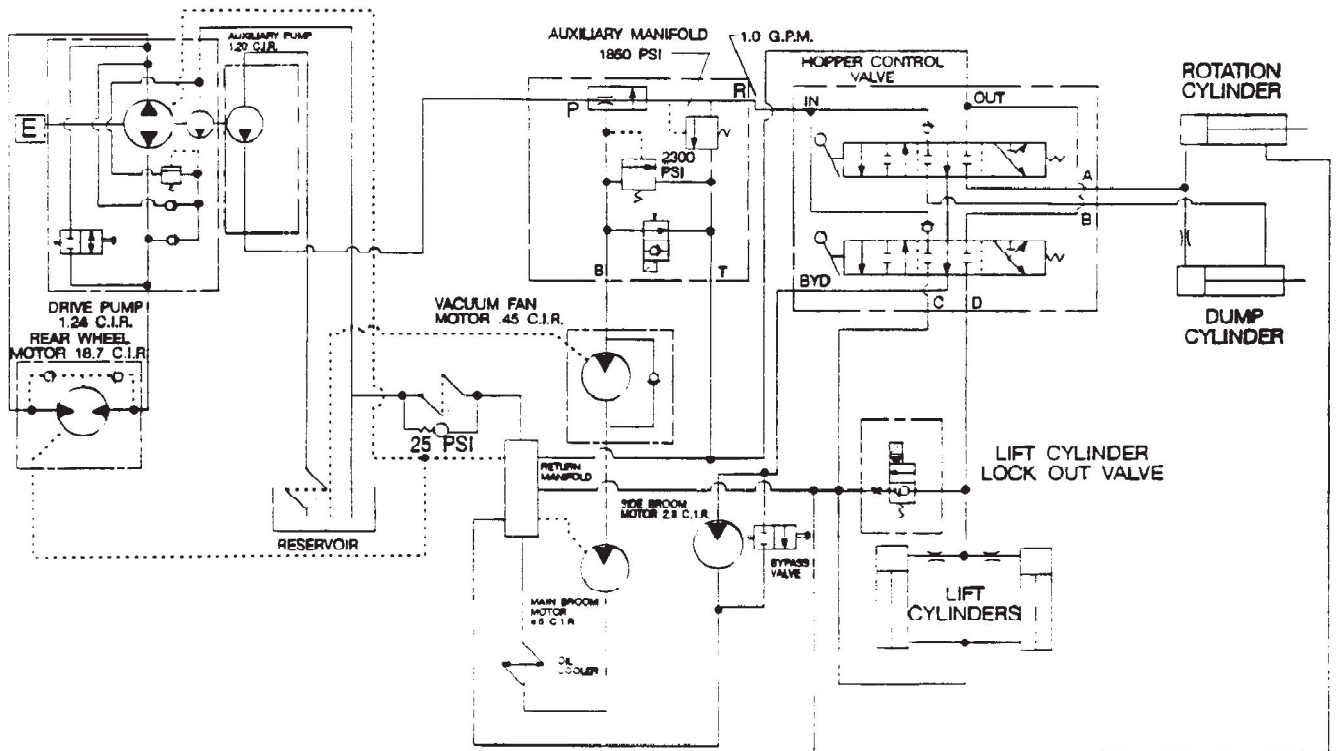


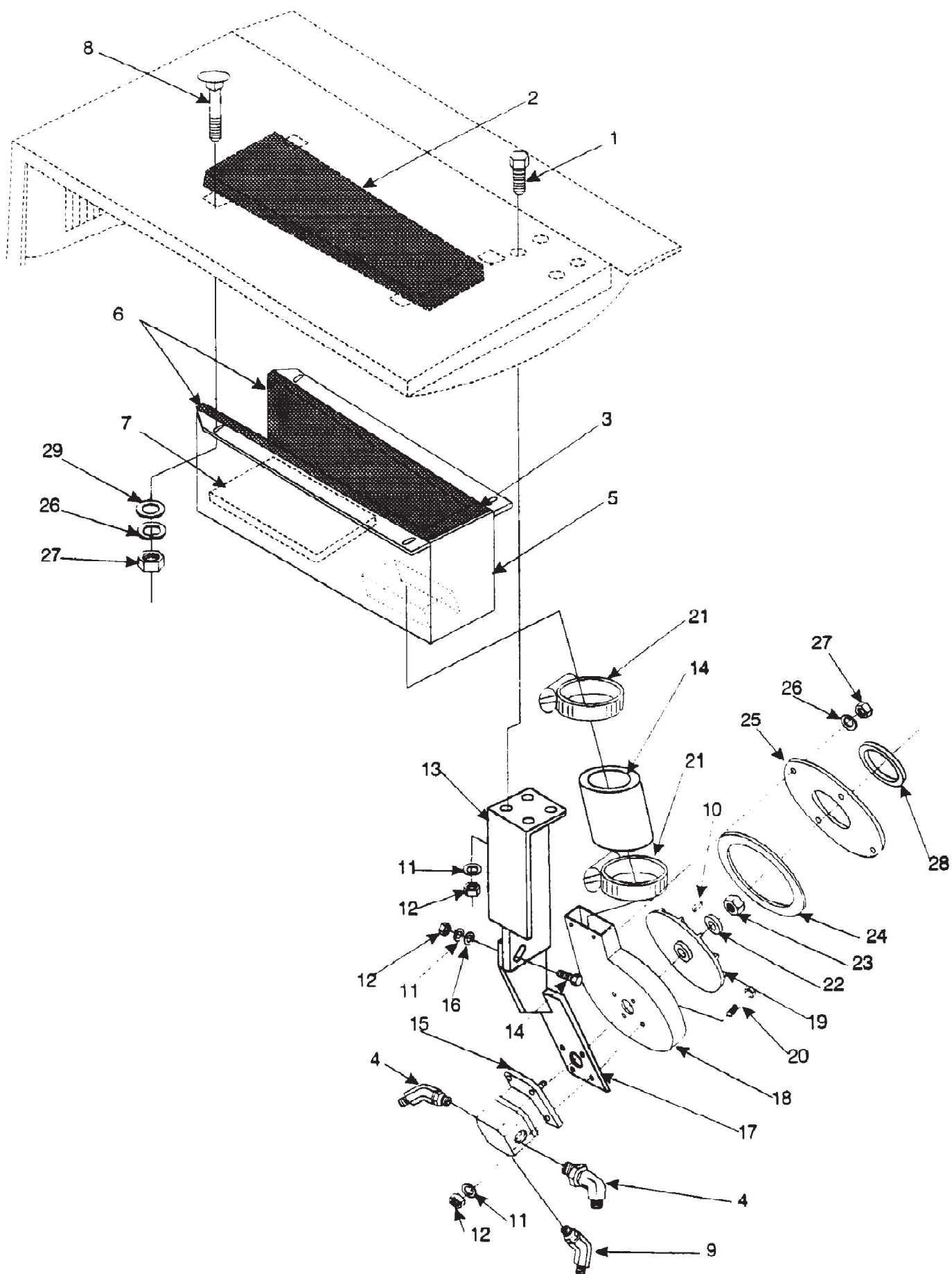
Referenznummer	Artikelnummer	Menge	Description
1	8-62-01010	1	Oil Cooler
2	8-13-07088	2	Clip
3	2-00-00518	2	Lock Washer, Helical Spring 1/4 Med
4	2-00-02589	2	Screw, 1/4 - 20 x 2.000 HHC



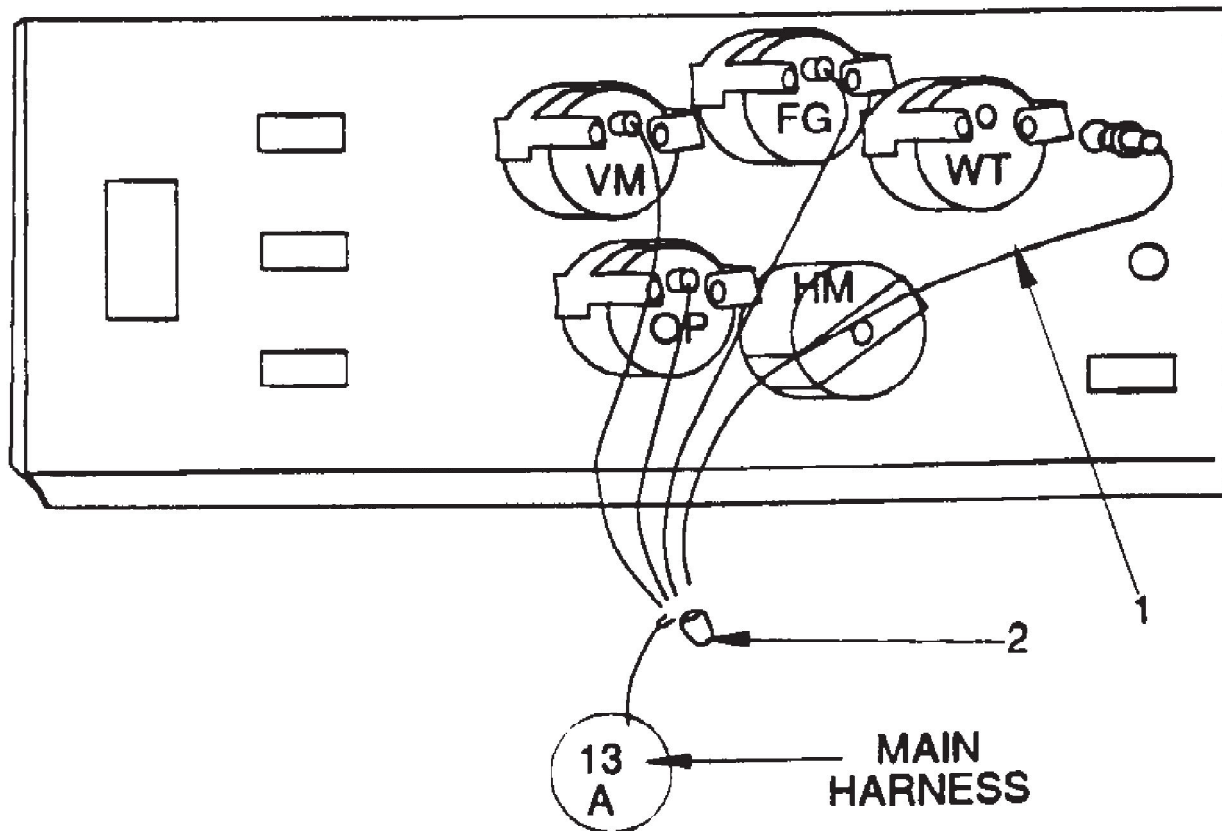
Referenznummer	Artikelnummer	Menge	Description
1	8-83-04036	1	Hydraulic Reservoir
2	8-11-00026	1	Filler Cap Assembly
3	2-00-03940	6	Screw, #10-24 x .500 T/C HH
4	8-48-05033	1	Sight Glass
5	8-79-00114	2	Strap
6	2-00-02220	3	Hose Clamp, .812 - 1.500
7	2-00-04469	1	Elbow, 3/4 NPT Straight
8	2-00-02474	1	Pipe Plug, 1/2 NPT
9	2-00-00205	4	Screw, 1/4 - 20 x 1.000 HHC
10	2-00-04997	1	Fitting, Strt #4 ORS - 1/4 NPT
11	2-00-02196	4	Carriage Bolt, 1/4 - 20 x 1.000
12	2-00-04895	1	Fitting Strt, #4 SAE - #4 ORS
13	2-00-05037	1	Adapter, 3/4 ORS x 3/4 NPT 45° Elbow
14	2-00-04572	1	Reducer, #12 Ste - 3/4 NPT
15	2-00-03585	1	Pipe Nipple, 3/4 NPT
16	8-24-04115	1	Strainer



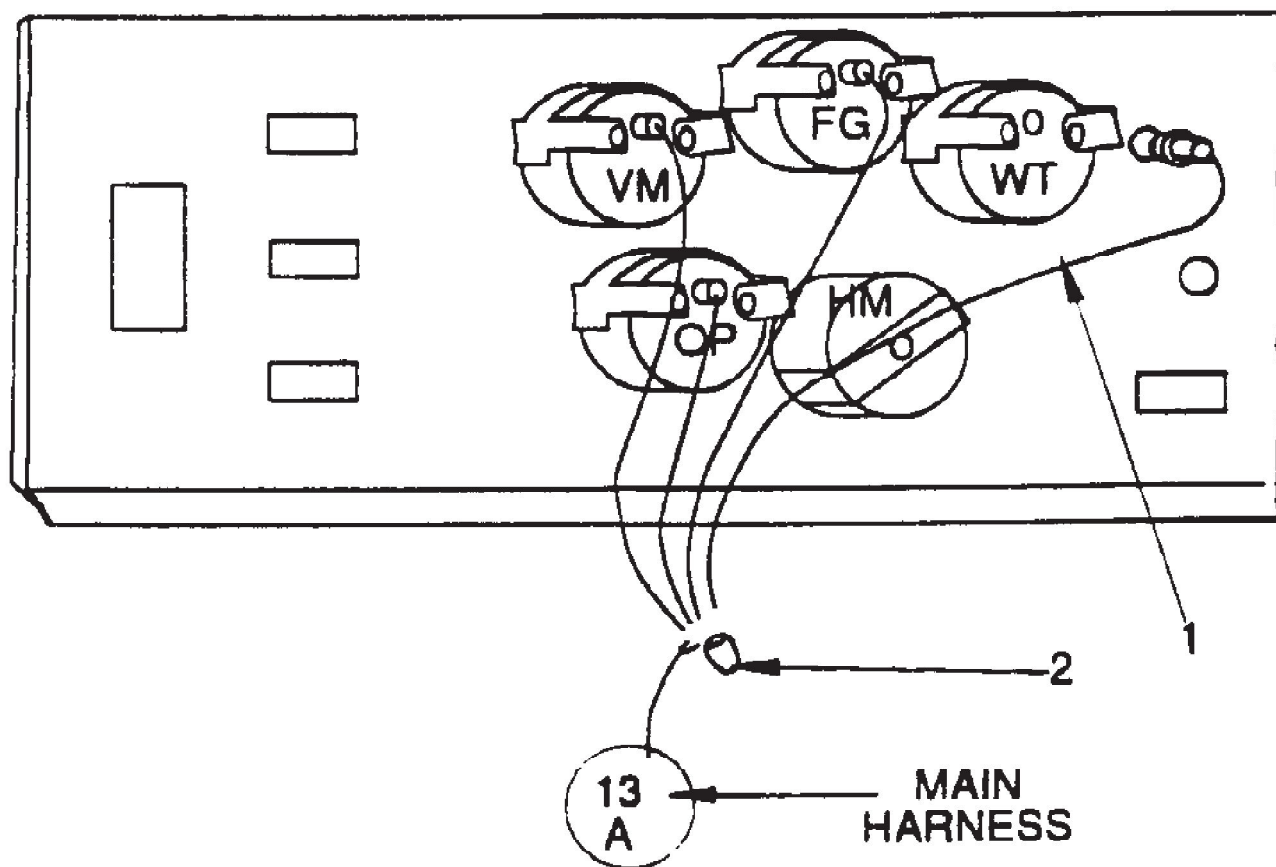




Referenznummer	Artikelnummer	Menge	Description
1	2-00-00196	6	Carriage Bolt, 5/16 - 18 x 1.000
2	8-34-09006	1	Insulation, Blower Box (Top)
3	8-34-09009	1	Side Insulation
4	2-00-04885	2	ORFS 90° Elbow, 3/4-16 to 13/16-16
5	8-20-06020	1	Blower Exhaust Box Duct
6	8-34-09007	2	Front Insulation
7	8-34-09005	1	Insulation, Blower Box (Bottom)
8	2-00-03575	4	Carriage Bolt, 1/4 - 20 x .75
9	2-00-04976	1	Fitting, #4 SAE - #4 ORS 45° Elbow
10	2-00-02227	1	Key, .125 x .750 SQ
11	2-00-00530	8	Lock Washer, Helical Spring 5/16 Med
12	2-00-00585	8	Nut, Hex 5/16 - 18 x .500 x .265
13	8-03-04290	1	Impeller Bracket
14	8-33-02271	1	Blower Exhaust Hose
15	0882-048	1	Hydraulic Motor, .458 C-I-R
16	2-00-01803	10	Flat Washer, 5/16
17	8-03-04289	1	Impeller Bracket (lower)
18	8-72-00005	1	Impeller Shroud
19	8-23-00012	1	Impeller
20	2-00-02708	4	Screw, 5/16-18 x 1.000
21	2-00-03454	2	Clamp
22	2-00-00484	1	Flat Washer, .625 x .375 x .046
23	2-00-00632	1	Nut, Hex Fiber Insert 3/8 - 24
24	8-29-00111	1	Shroud Gasket
25	8-20-06028	1	Blower Throat Duct
26	2-00-00518	22	Lock Washer, Helical Spring 1/4 Med
27	2-00-00594	20	Nut, Hex 1/4 - 20 x .437 x .218
28	8-29-00183	1	Gasket
29	2-00-03702	10	Flat Washer, .625 x .281 x .062

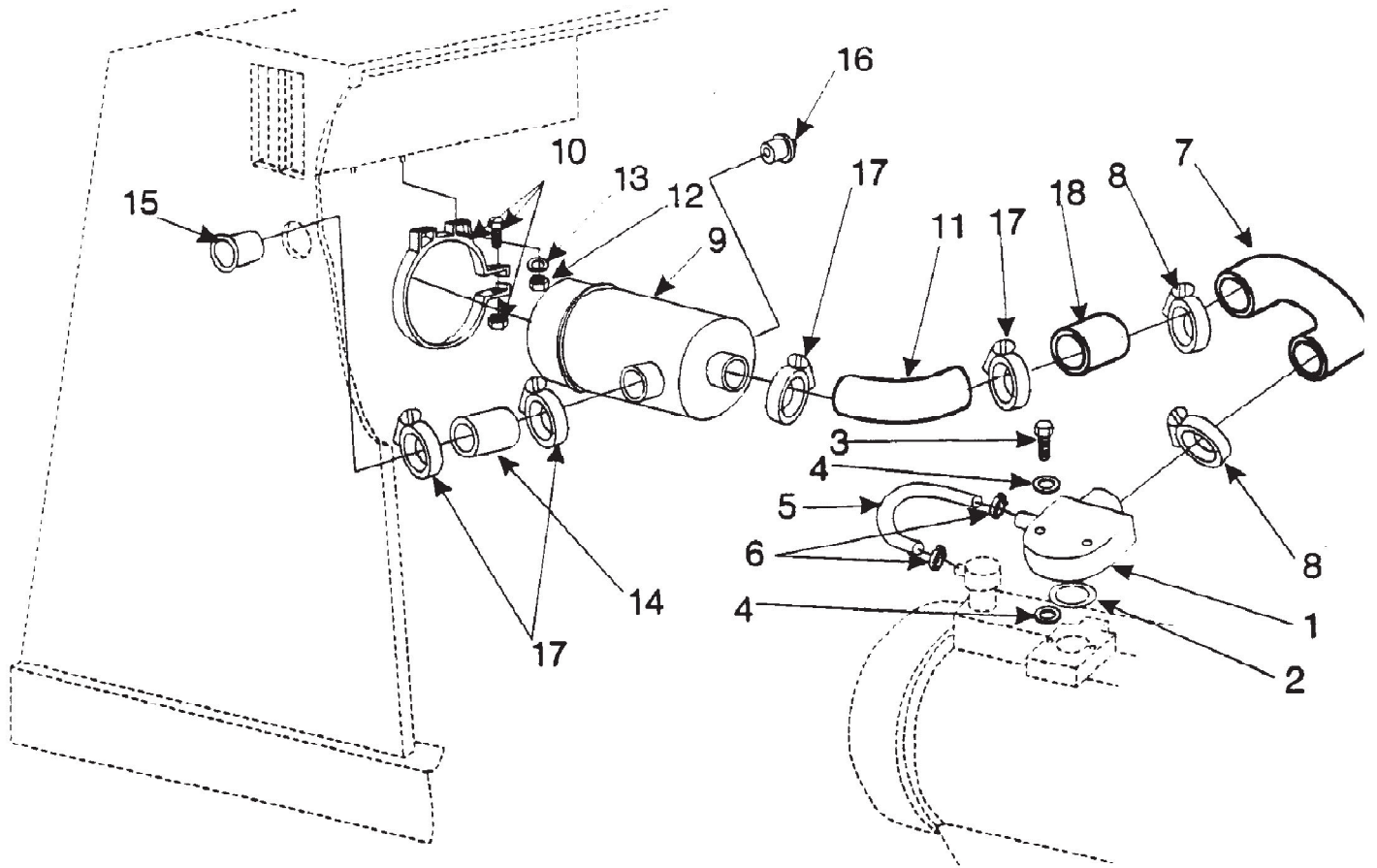


Referenznummer	Artikelnummer	Menge	Description
1	8-40-05030	4	Instrument Light and Lead
2	2-00-04588	1	Wire Nut
	0880-351		HEAD TAIL & INSTR LIGHTS ASSY Includes: Headlights, Taillights and Instrument Lights
	0880-354		LIGHTS-HEAD, TAIL, BRAKE Includes: Headlights, Taillights, Instrument Light and Brake Light

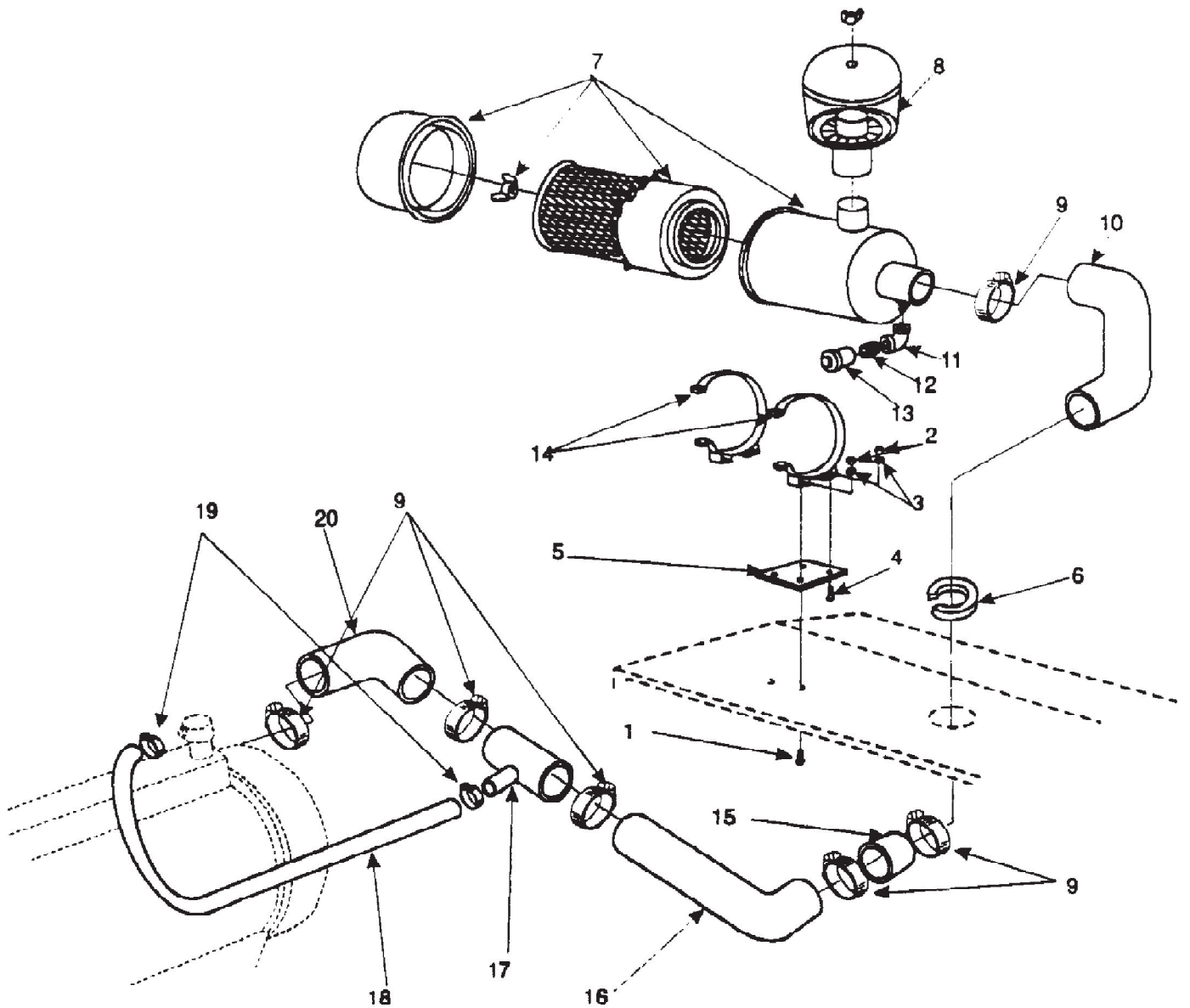


Referenznummer	Artikelnummer	Menge	Description
1	8-40-05030	4	Instrument Light and Lead
2	2-00-04588	1	Wire Nut
	0880-355		LIGHTS- H T I BRAKE TURNSIGNAL Includes: Headlights, Taillights, Instrument Light and Brake Light and Turn Signals

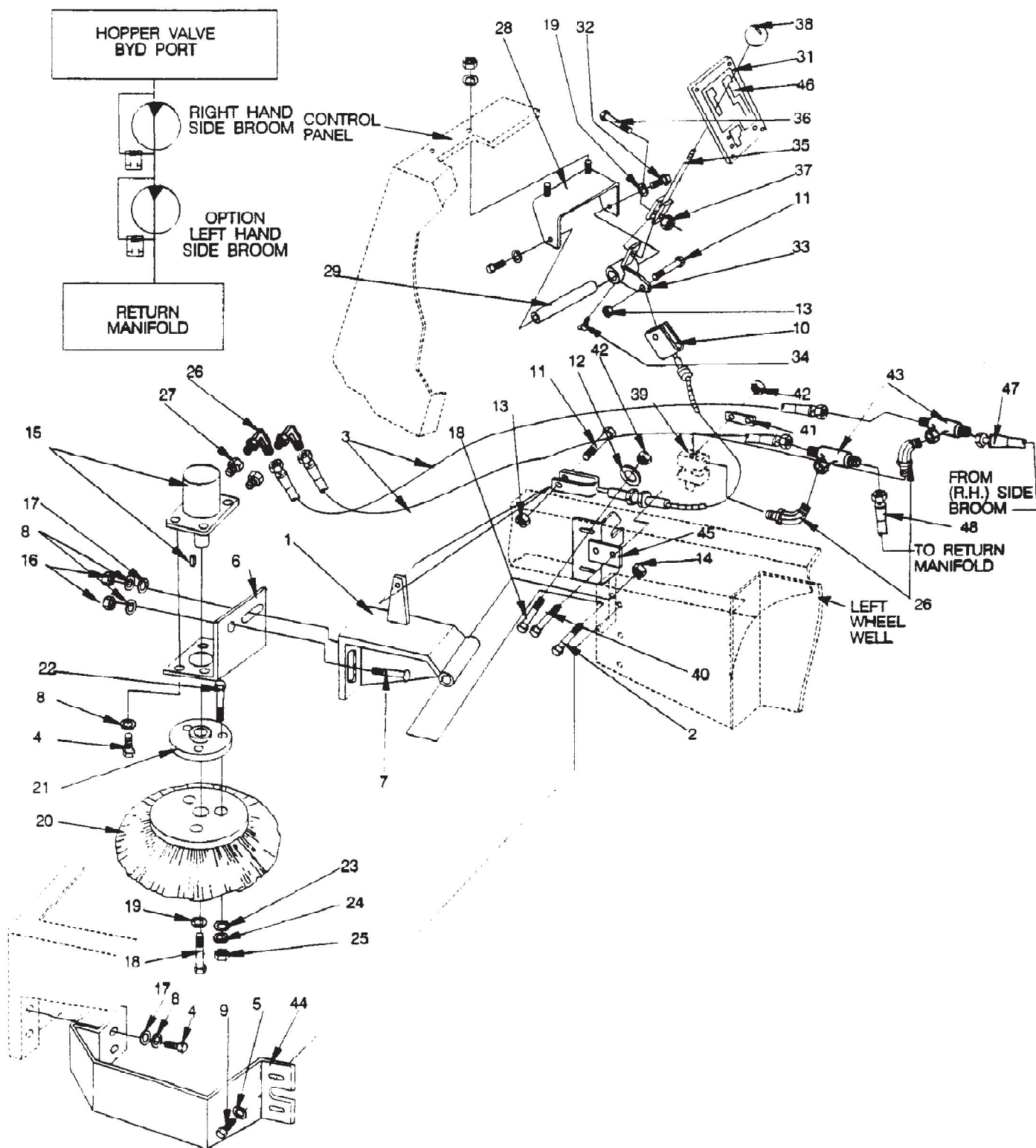
Referenznummer	Artikelnummer	Menge	Description
1	2-00-03061	6	Screw, #10-24 x .500 THM
2	2-00-00605	13	Nut, Hex MS #10-24 x .375 x .125
3	2-00-00519	8	Lock Washer, Helical Spring #10 Med
4	2-00-03063	3	Screw, #10-24 x .750 THM
5	2-00-00466	4	Flat Washer, .625 x .203 x .031
6	0895-085	1	Instrument Panel Harness
7	8-48-05028	1	Water Temperature Gauge
8	8-48-05023	1	Hour Meter Gauge
9	8-48-00016	1	Volt Meter Gauge
10	8-48-05027	1	Oil Pressure Gauge
11	7-82-00026	1	Key Switch
12	2-00-00512	9	Lock Washer #10 Int
13	2-00-04694	4	Nut, Hex MS #10-32 x .375 x .125
14	8-82-00024	1	Horn Push Button
15	8-82-00045	1	Switch-SPST (Momentary)(ON)-OFF
16	8-82-00044	1	Switch-SPST ON-OFF
17	8-64-00008	4	Circuit Breaker (15 AMP)
18	8-11-00044	5	Boot (Circuit Breaker)
19	2-00-04757	2	Plug Button, .375 Circuit Breaker
20	8-90-07385	1	Wire-Jumper
21	8-90-07361	1	Wire-TD-1 #6 to #7 to M2 #86 to M4 #86
22	8-64-00012	1	Shaker Motor Relay
23	2-00-04897	2	Screw, #10-24 x 1.250 THM
24	2-00-04937	1	Tie Cable
25	2-00-00581	2	Plug Button, .530 (Light Switch)
26	8-82-00045	1	Switch-SPST (Momentary)(ON) Diesel Only
27	2-00-04432	Ref	Plug Button, 2.093 (LP Only)
28	8-13-07087	Ref	Clip
29	8-64-05007	Ref	Resistor Assembly 413 Engine Only
30	8-48-05032	Ref	Fuel Gauge Gas and Diesel Only
31	2-00-03061	4	Screw, #10-24 x .500 THM
32	8-90-07357	Ref	Wire, W-T Gauge to F.G. Gas & Diesel Only
33	8-64-05009	1	Relay, Broom and Fan
34	0875-087	1	Diode Assembly
35	2-00-00594	5	Nut, Hex 1/4-20
36	8-64-00013	1	Circuit Breaker (25A)
37	2-00-01246	3	Hex Nut, #10-24 Fiber Lock
38	2-00-00067	2	Screw, #6-32 x 1.00 RHM
39	2-00-00455	2	Flat Washer, #6
40	2-00-01499	2	Lock Washer, #6
41	2-00-00624	2	Nut, Hex #6-32
42	8-08-00748	1	Relay Bracket
43	8-64-05011	1	Relay (20 Sec. Time Delay)
44	8-90-07422	1	Wire, TD-2 Pin 1
45	8-90-07423	1	Wire, TD-2 Pin 2
46	8-90-07424	1	Wire, TD-2 Pin 3
47	8-90-07425	1	Wire, TD-2 Pin 6
	8-11-00015	15	Terminal Not Shown
	2-00-04479	3	Connector-3-way Not Shown



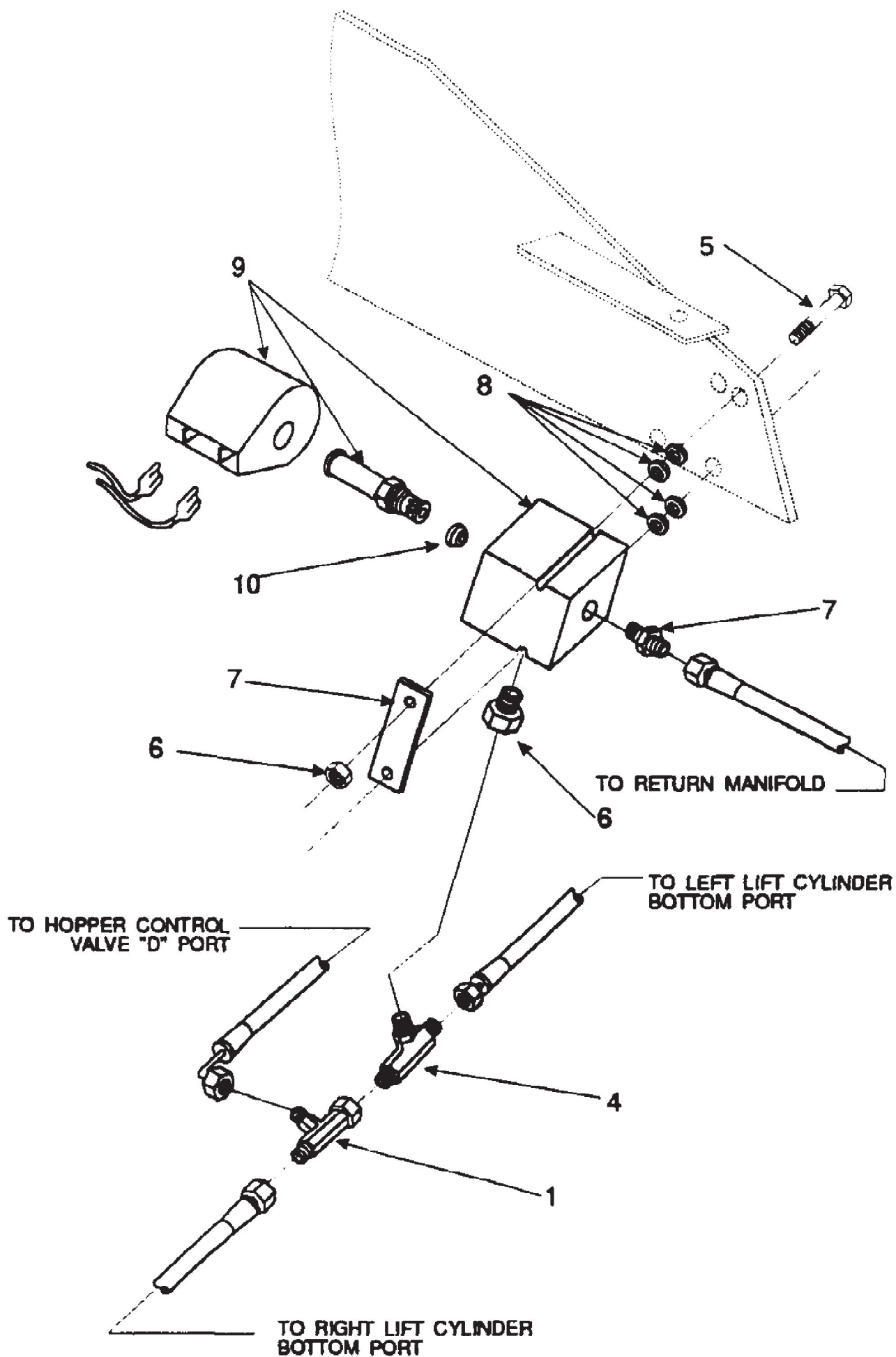
Referenznummer	Artikelnummer	Menge	Description
1	8-25-02027	1	Fitting, Carburetor Inlet
2	2-00-02495	1	O-Ring .125 x 1.750 x 2.000
3	2-00-04860	2	Screw, M6 - 55mm MHHC
4	2-00-04590	4	Sealing Washer, .625 x .250
5	8-33-02155	1	Hose, 5/8 ID
6	2-00-03407	2	Hose Clamp, .562 - 1.062
7	8-33-02272	1	Molded Hose
8	2-00-02216	2	Hose Clamp, 1.562 - 2.500
9	8-24-04100	1	Air Cleaner Assembly
	8-24-04106	1	Air Cleaner Element Not Shown
10	8-24-04093	1	A/C Mounting Bracket
11	8-33-02266	1	Molded Elbow
12	2-00-00594	4	Nut, Hex 1/4 - 20 x .437 x .218
13	2-00-00518	4	Lock Washer, Helical Spring 1/4 Med
14	8-33-02171	1	Hose, Air Cleaner Intake
15	8-25-02028	1	Fitting Console Insert
16	8-24-04101	1	Meter, Engine Air Cleaner
17	2-00-02217	4	Hose Clamp, 2.062 - 3.000
18	8-87-02110	1	Tube



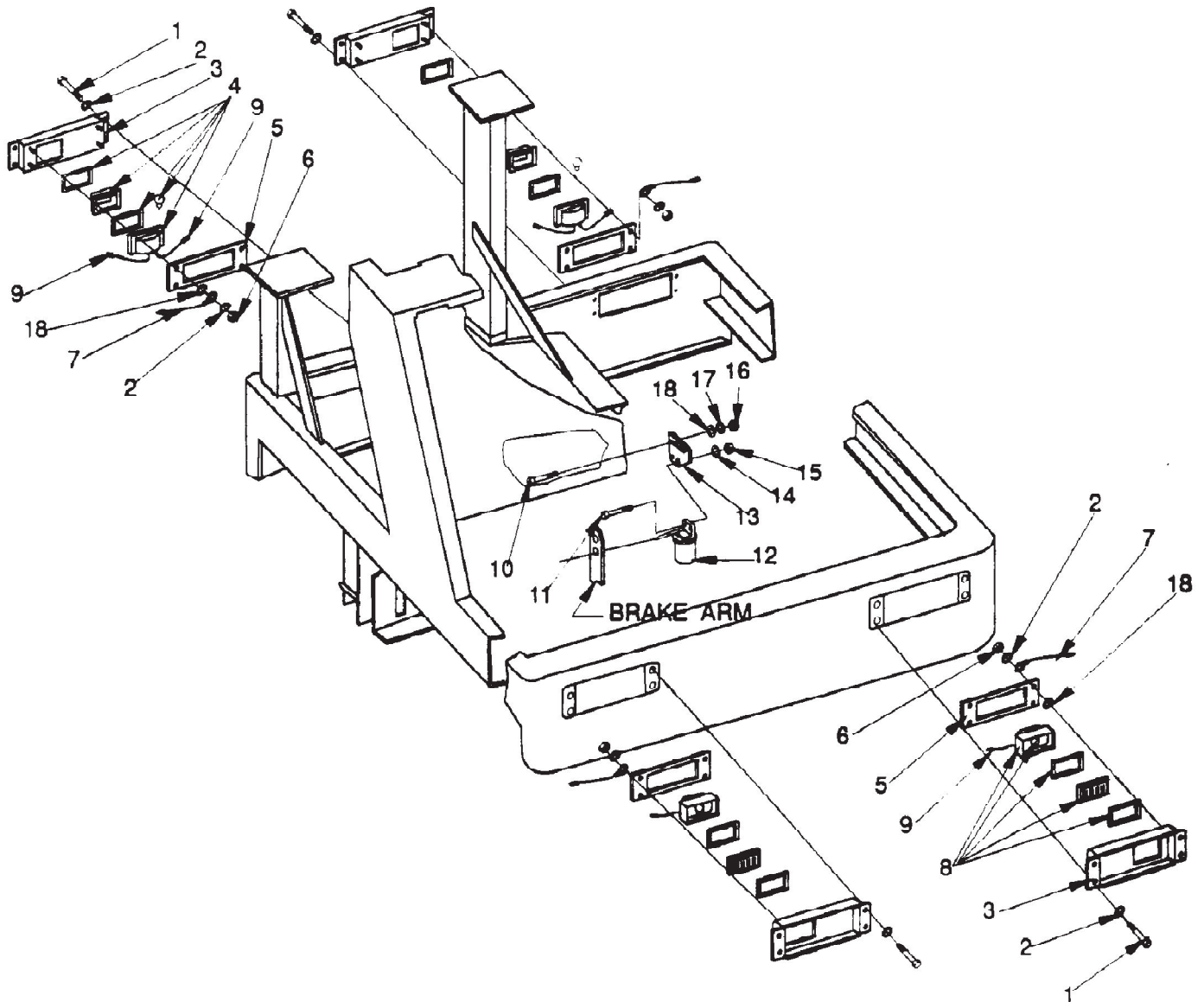
Referenznummer	Artikelnummer	Menge	Description
1	2-00-00205	2	Screw, 1/4 - 20 x 1.000 HHC
2	2-00-00594	4	Nut, Hex 1/4 - 20 x .437 x .218
3	2-00-00518	4	Lock Washer, Helical Spring 1/4 Med
4	2-00-03027	2	Screw, 1/4-20 x .625 HSFHS
5	8-52-05263	1	Mounting Plate
6	7-21-04022	1	Edging
7	8-24-04100	1	Air Cleaner Assembly
8	8-24-04092	1	Pre-Cleaner Assembly
9	2-00-02217	5	Hose Clamp
10	2-00-02272	1	Molded Hose
11	2-00-03641	1	90° Elbow 1/9 NPT
12	2-95-02519	1	Close Nipple - 1/8 NPT
13	8-24-04101	1	Meter, Engine Air Cleaner
14	8-24-04093	1	A/C Mounting Bracket
15	8-87-02110	1	Tube - Air Intake
16	8-33-02236	1	Molded Hose
17	8-87-02107	1	Air Inlet Tube
18	8-33-02155	1	PVC to Carb. Hose
19	2-00-03407	2	Hose Clamp
20	8-33-02260	1	Inlet Elbow



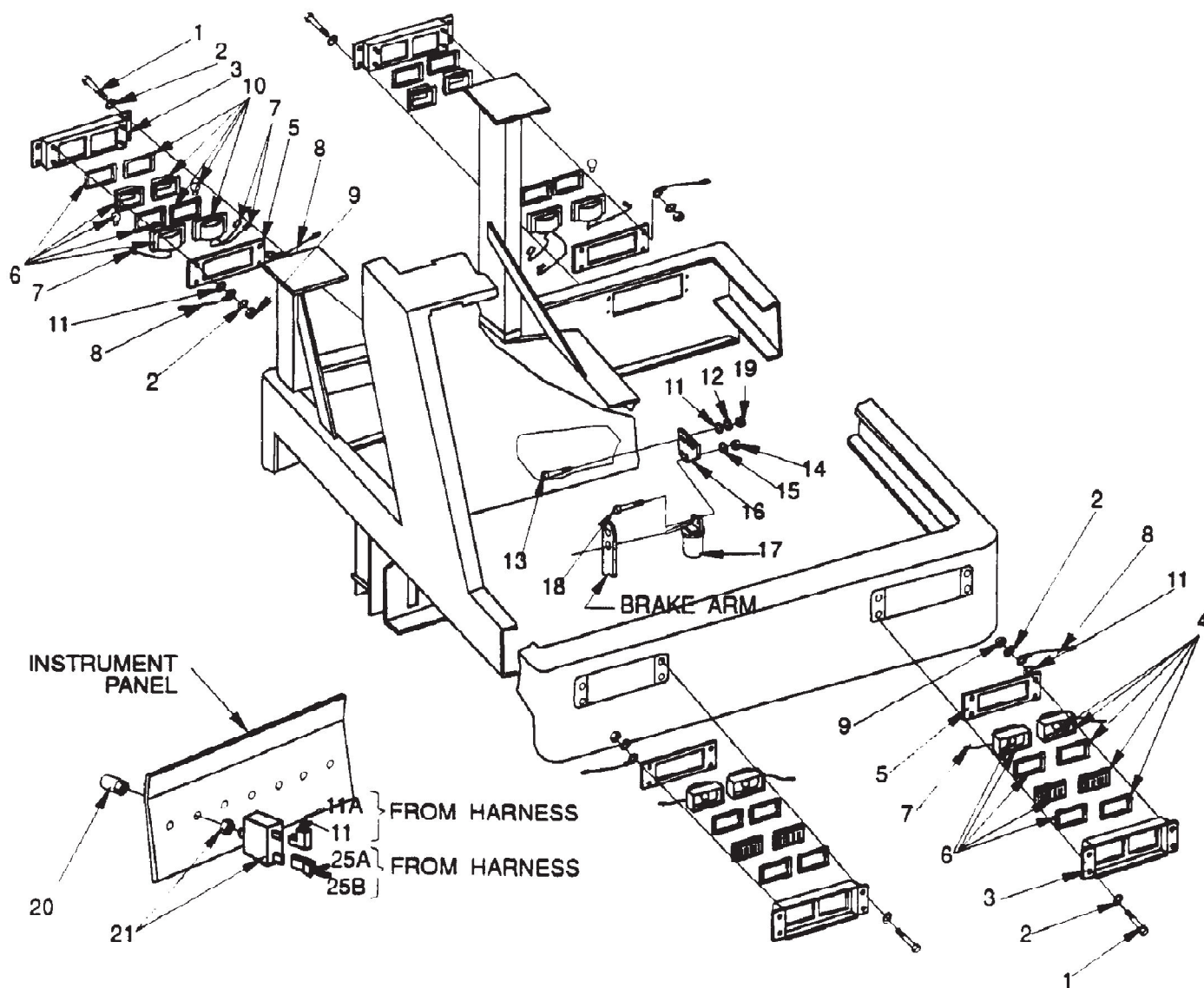
Referenznummer	Artikelnummer	Menge	Description
1	8-03-04292	1	Side Broom Arm (L.H.)
2	2-00-04914	1	Screw, 1/2 - 13 x 4.500 HHC
3	8-33-02181	2	Hose, Hydraulic ORS 4 Str. Ends 18"
4	2-00-00233	4	Screw, 3/8-16 x 1.000 HHC
5	2-00-04159	4	Flat Washer, 1.375 x .562 x .109
6	8-08-00750	1	Side Broom Motor Bracket L.H.
7	2-00-05187	2	Bolt, Carriage 3/8-16 x 1.25
8	2-00-02310	8	Lock Washer, Helical Spring 3/8 Med
9	2-00-01254	2	Screw, 1/2-13 x 1.500 HHC
10	8-10-00030	1	Cable, L.H. Side Broom
11	2-00-02708	2	Screw, 5/16-18 x 1.000 HHC
12	2-00-00407	3	Flat Washer, .562 x .265 x .062
13	2-00-00644	2	Nut, Hex Fiber Insert 5/16-18
14	2-00-04936	1	Nut, Hex Fiber Insert 1/2 - 13
15	0882-023	1	Side Broom Motor
15	2-00-00722	1	Woodruff Key .250 x 1
16	2-00-00584	2	Nut, Hex 3/8-16
17	2-00-04801	3	Flat Washer, 3/8
18	2-00-01490	4	Screw, 1/4 - 20 x .875 HHC
19	2-00-00518	1	Lock Washer, Helical Spring 1/4 Med
20	8-08-03210	1	Side Broom
21	8-25-06008	1	Side Broom Flange
22	2-00-00211	3	Screw, 5/16 - 18 x 1.750 HHC
23	2-00-00409	3	Flat Washer, .687 x .343 x .062
24	2-00-00530	3	Lock Washer, Helical Spring 5/16 Med
25	2-00-00585	3	Nut, Hex 5/16-18 x .500 x .265
26	2-00-04926	4	ORFS 90° Elbow, 9/16-18
27	2-00-04915	2	ORFS Boss Reducer, 7/8-14 to 9/16-18
28	8-08-00646	Ref	Shaft Pivot Bracket L.H.
29	8-70-05285	Ref	Shaft - Broom Pivot L.H.
30	2-00-00221	Ref	Screw, 1/4 - 20 x .750 HHC
31	8-58-05266	1	Face Plate, Main and Left Broom
32	2-00-00221	Ref	Screw, 1/4-20 x .750 HHC
33	8-57-05021	1	Pivot Block (Side Broom)
34	2-00-02558	1	Lubrication Fitting, 45° 1/8 NPT
35	8-16-00034	1	Lever
36	2-00-00234	1	Screw, 3/8 - 16 x 1.50 HHC
37	2-95-04182	1	Nut, Hex Fiber Insert 3/8 - 16
38	8-39-00002	3	Knob
39	0891-008	1	Side Broom Valve
40	2-00-00199	2	Carriage Bolt, 1/4 - 20 x 1.750
41	8-08-00590	1	Valve Mounting Bracket
42	2-00-00641	5	Nut, Hex Fiber Insert 1/4-20
43	2-00-04940	2	ORFS Swivel Nut Branch Tee, #4 ORS
44	8-30-05151	1	Side Broom Guard - L.H.
45	8-08-00716	1	Valve & Valve Mounting LH Bracket
46	8-18-00352	1	Decal, Main and Left Broom
47	7-33-02181	1	Hose, Hydraulic ORS 4 Str. Ends 160°
48	8-33-02187	1	Hose, Hydraulic ORS 4 Str. Ends 97"



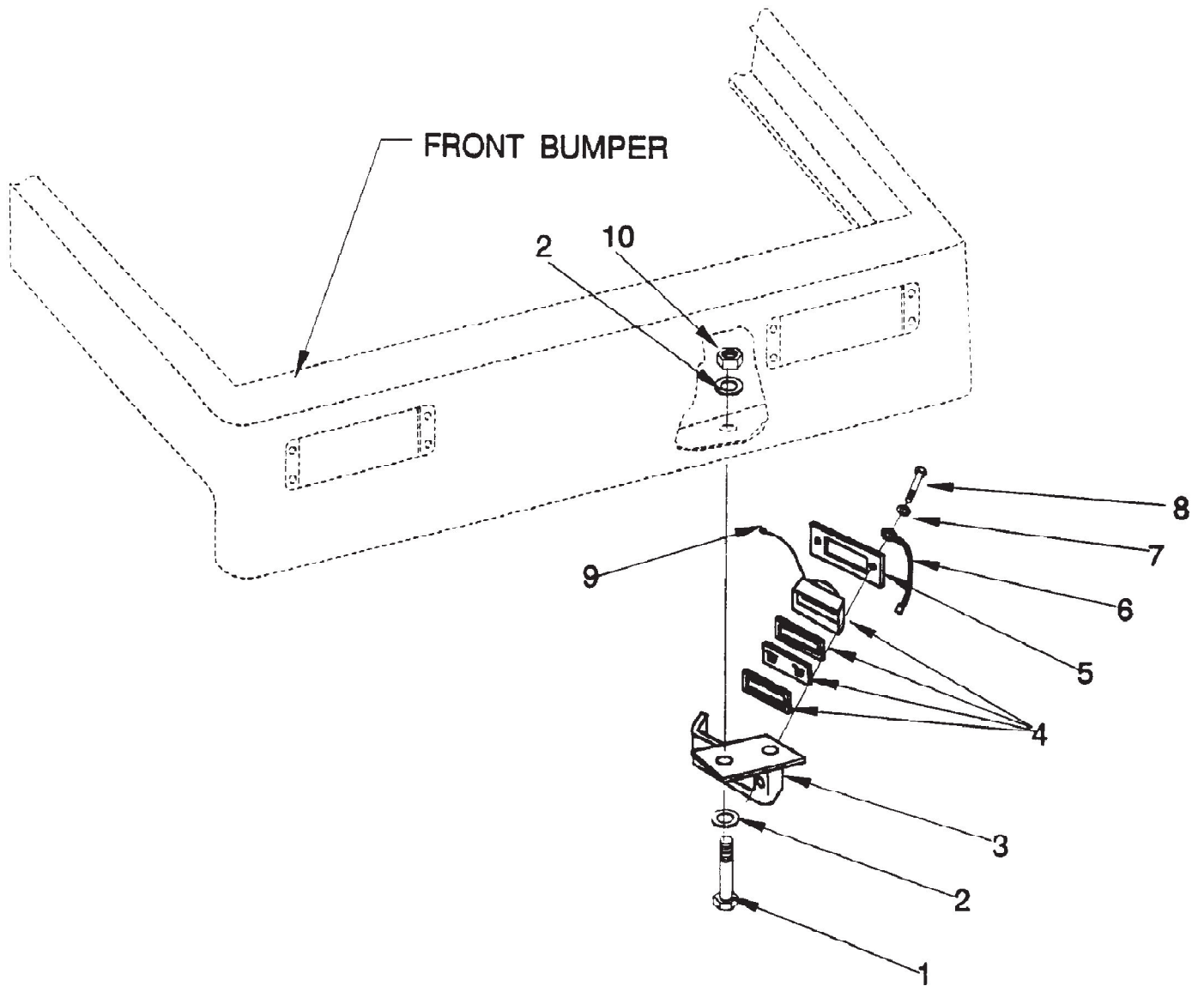
Referenznummer	Artikelnummer	Menge	Description
1	2-00-05162	2	Tee, Swivel #4 ORS
2	2-00-04917	1	ORFS Boss Reducer, 9/16-18 to 7/16-20
3	2-00-04918	1	ORFS Connector, 7/16-18 to 9/16-18
4	2-00-04919	1	ORFS Branch Tee, 7/16-20 x (2) 9/16-18
5	2-00-02589	4	Screw, 1/4 - 20 x 2.000 HHC
6	2-00-00641	2	Nut, Hex Fiber Insert 1/4 - 20
7	8-08-00590	1	Bracket
8	2-00-03702	4	Flat Washer, .625 x .281 x .0625
9	8-88-00044	1	Hopper Lock Valve
10	8-88-00056	1	Orifice Disc



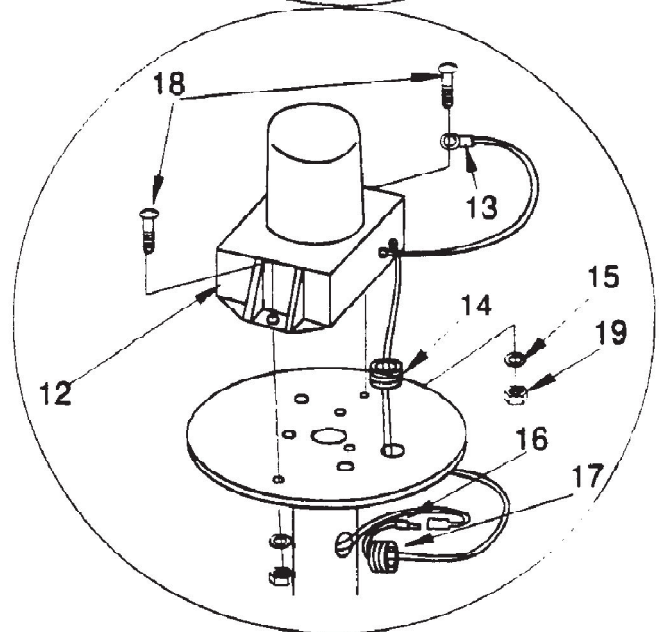
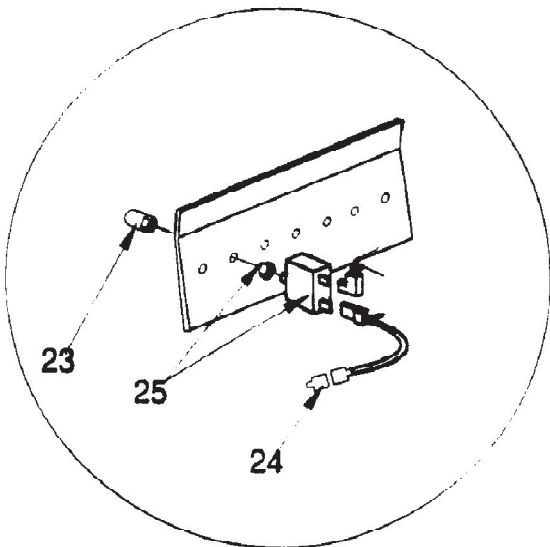
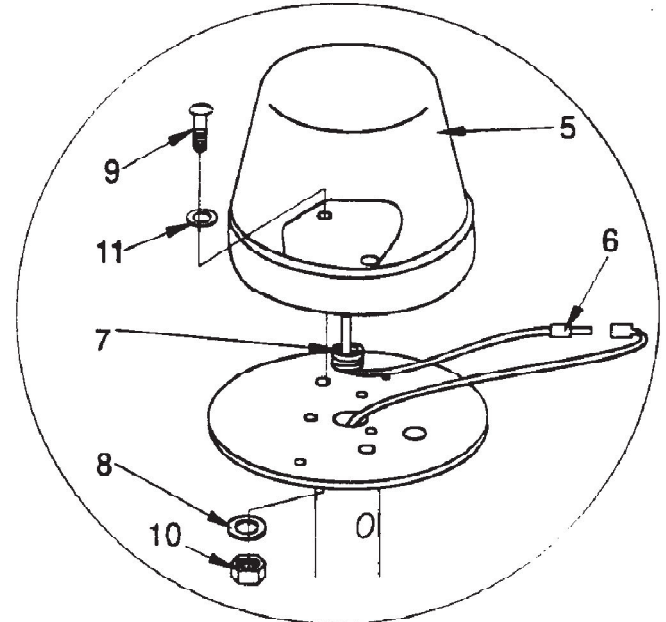
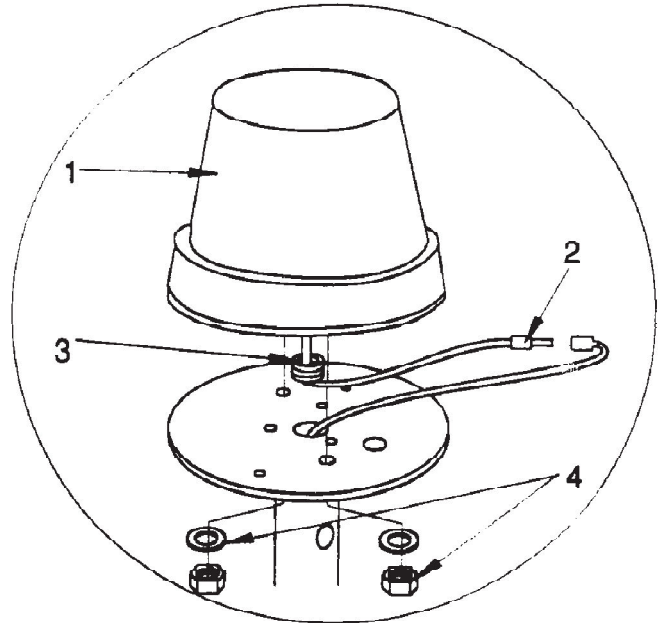
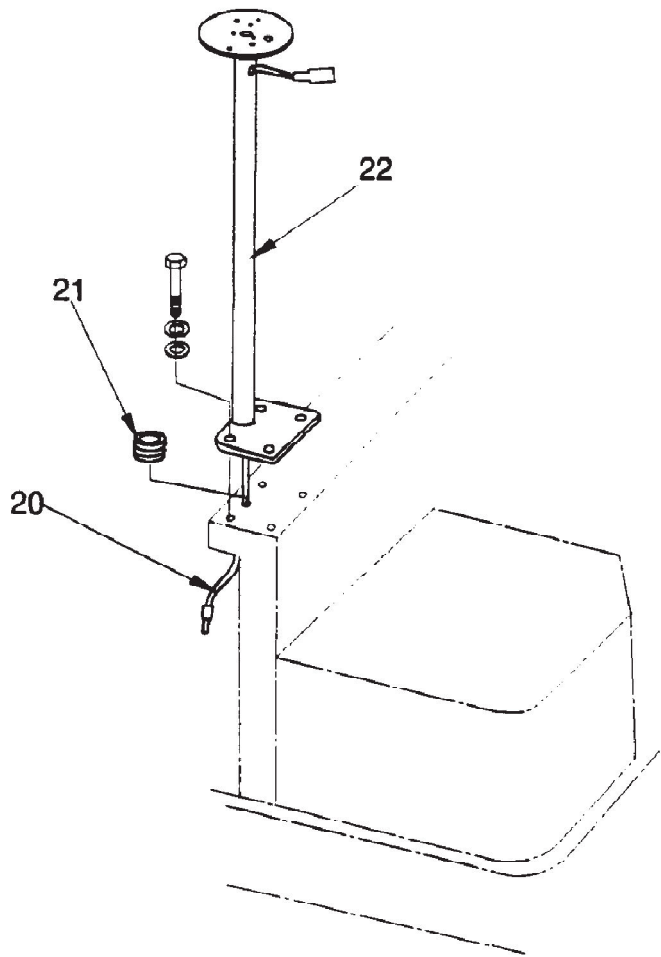
Referenznummer	Artikelnummer	Menge	Description
1	2-00-00221	16	Screw, 1/4 - 20 x .750 HHC
2	2-00-00501	32	Lock Washer, 1/4 Int
3	8-08-00745	4	Single Light Bracket
4	8-40-05029	2	Taillight
5	8-08-00599	4	Backing Plate
6	2-00-00594	16	Nut, Hex 1/4 - 20 x .437 x .218
7	8-90-07358	4	Ground Wire
8	8-40-05028	2	Headlight
9	2-00-04578	6	Male Bullet Plug
10	2-00-00220	2	Screw, 1/4 - 20 x .625 HHC
11	2-00-03061	2	Screw, #10 - 24 x .500 THM
12	8-82-00039	1	Bracket Switch
13	8-08-00611	1	Brake Light Switch Bracket
14	2-00-00519	2	Lock Washer, Helical Spring #10 Med
15	2-00-00605	2	Nut, Hex MS #10 - 24 x .375 x .125
16	2-00-03546	2	Nut, Hex MS 1/4 - 20 x .437 x .187
17	2-00-00518	2	Lock Washer, Helical Spring 1/4 Med
18	2-00-00409	18	Flat Washer, .687 x .343 x .062
	0880-351		Headlights, Taillights and Instrument Light
	0880-354		Headlights, Taillights, Instrument Light and Brake Light



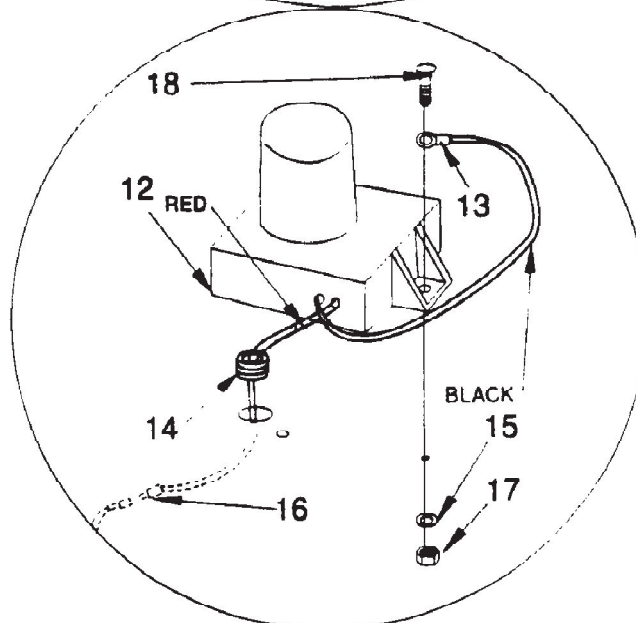
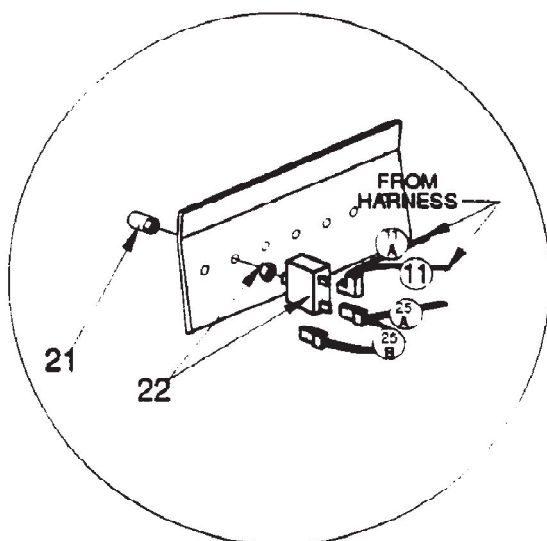
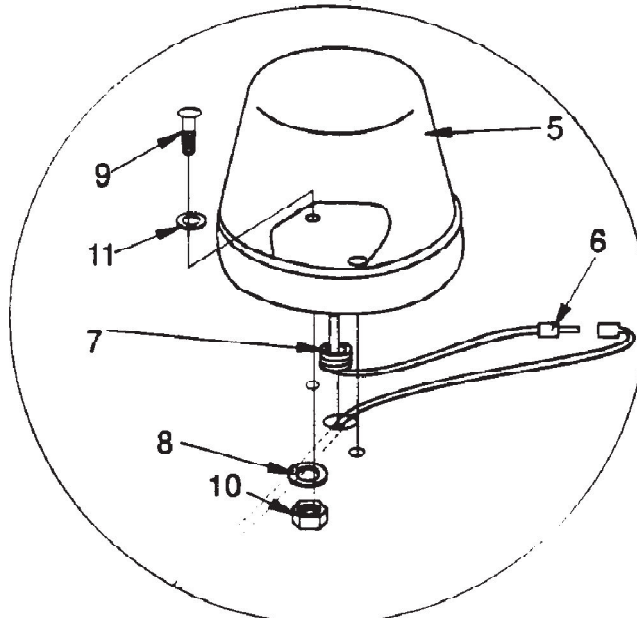
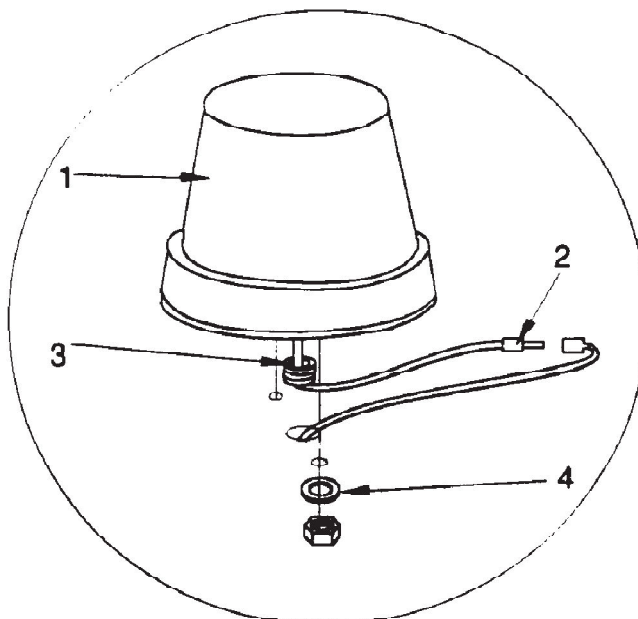
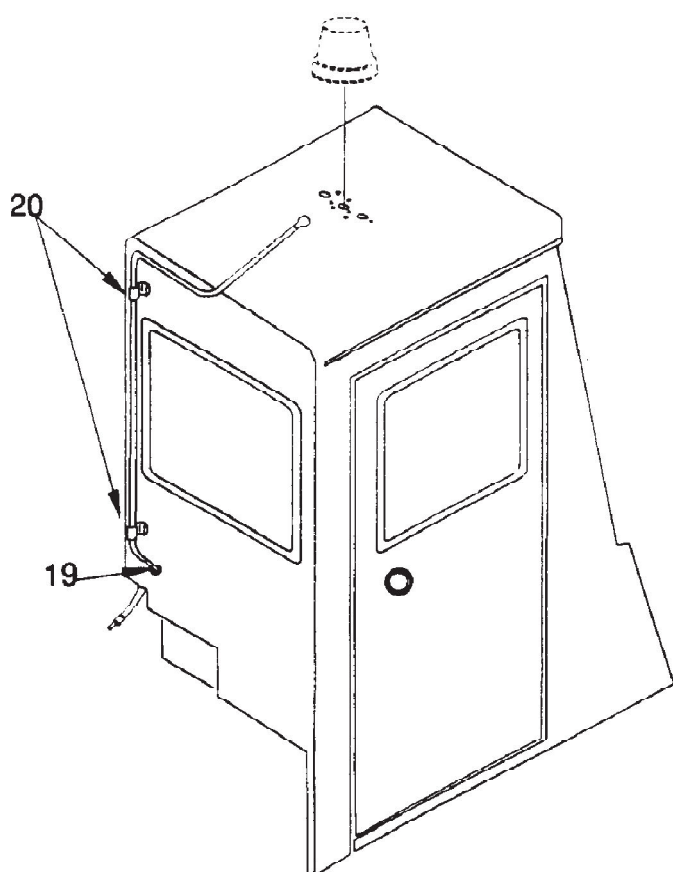
Referenznummer	Artikelnummer	Menge	Description
	0880-355		LIGHTS- H T I BRAKE TURNSIGNAL Headlights, Taillights, Instrument Light, Brake Lights and Turn Signals
1	2-00-00221	16	Screw, 1/4 - 20 x .750 HHC
2	2-00-00501	32	Lock Washer, 1/4 Int.
3	8-08-00745	4	Knockout Light Bracket
4	8-40-05028	2	Head Light
5	8-08-00599	4	Backing Plate
6	8-40-05027	4	Turn Signal Light
7	2-00-04578	10	Bullet Plug (Male)
8	8-90-07358	8	Ground Wire
9	2-00-00594	16	Nut, Hex 1/4 - 20 x .437 x .218
10	8-40-05029	2	Tail Light/Brake Light
11	2-00-00409	18	Flat Washer, .687 x .343 x .062
12	2-00-00518	2	Lock Washer, Helical Spring 1/4 Med
13	2-00-00220	2	Screw, 1/4 - 20 x .625 HHC
14	2-00-00605	2	Nut, Hex MS #10 - 24 x .375 x .125
15	2-00-00519	2	Lock Washer, Helical Spring #10 Med
16	8-08-00611	1	Brake Light Switch Bracket
17	8-82-00039	1	Bracket Switch
18	2-00-03061	2	Screw, #10 - 24 x .500 THM
19	2-00-03546	2	Nut, Hex MS 1/4 - 20 x .437 x .187
20	8-11-00044	1	Circuit Breaker Boot
21	8-64-00008	1	Circuit Breaker (15A)



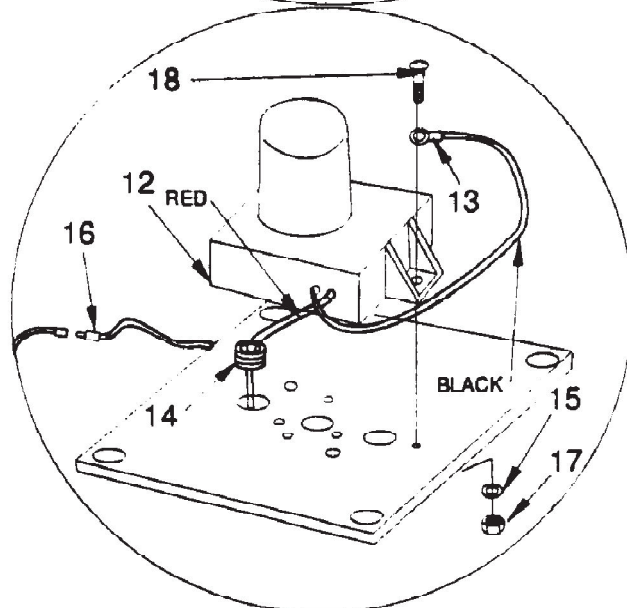
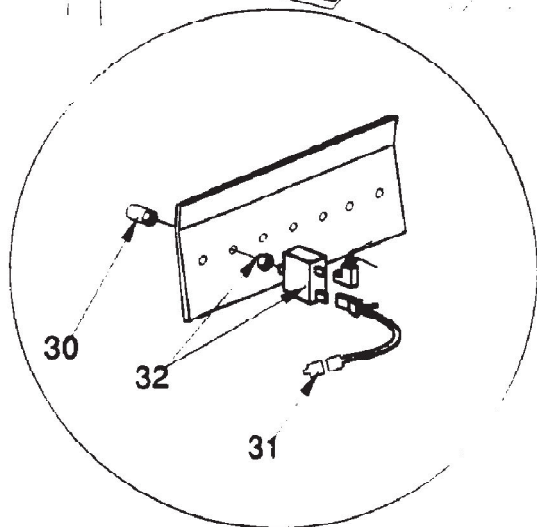
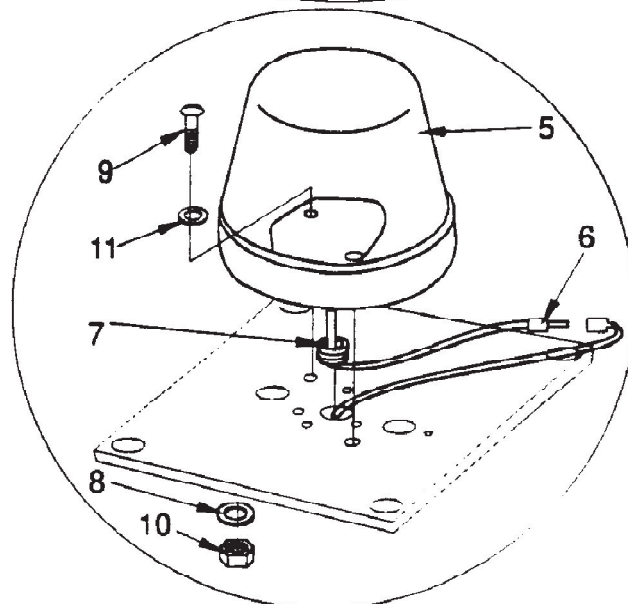
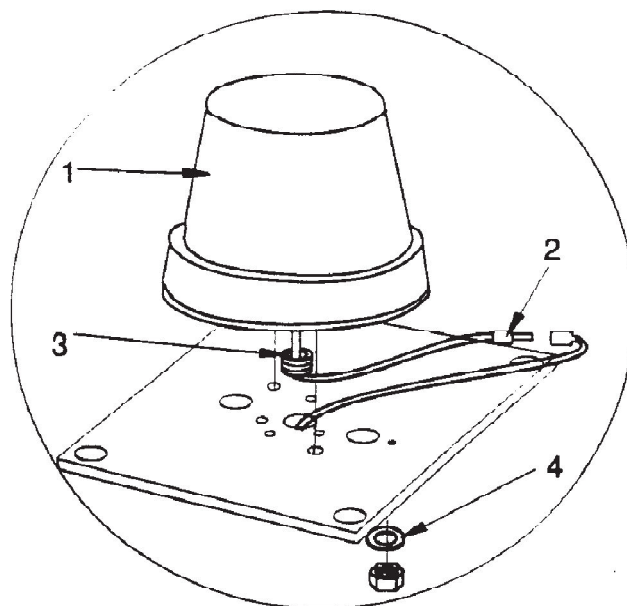
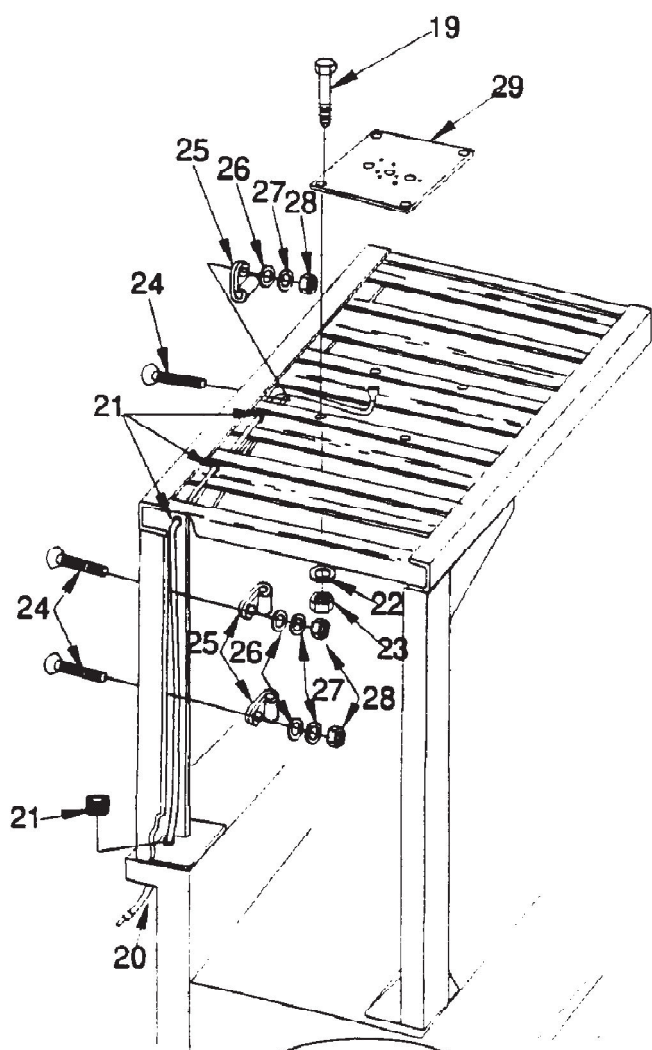
Referenznummer	Artikelnummer	Menge	Description
1	2-00-00233	2	Screw, 3/8 - 16 x 1.000 HHC
2	2-00-00505	4	Lock Washer, 3/8 Int
3	8-08-00612	1	Side Light Bracket
4	8-40-05028	1	Light
5	8-58-05233	1	Retainer Plate
6	8-90-07358	1	Ground Wire
7	2-00-00501	2	Lock Washer, 1/4 Int
8	2-00-00221	2	Screw, 1/4 - 20 x .750 HHC
9	2-00-04578	1	Male Connector
10	2-00-00584	2	Nut, Hex 3/8 - 24 x .562 x .328



Referenznummer	Artikelnummer	Menge	Description
1	8-40-05010	1	Red Rotating Light
1	8-40-05010-1	1	Yellow Rotating Light
2	2-00-04578	1	Connector Used on Rotating Light
3	2-00-00491	1	Grommet, .750 x .375 x .375 x .125 Used on Rotating Light
4	2-00-00512	1	Lock Washer, #10 Int Used on Rotating Light
5	8-40-05033	1	Red Flashing Light
5	8-40-05033-1	1	Amber Flashing Light
6	2-00-04578	1	Connector Used on Flashing Light
7	2-00-00491	1	Grommet, .750 x .375 x .375 x .125 Used on Flashing Light
8	2-00-00512	2	Lock Washer, #10 Int Used on Flashing Light
9	2-00-04897	2	Screw, #10 - 24 x 1.250 TH Used on Flashing Light
10	2-00-00605	2	Nut, Hex MS #10 - 24 x .375 x .125 Used on Flashing Light
11	2-00-00426	2	Flat Washer, .500 x .218 x .062 Used on Flashing Light
12	8-40-05018	1	Red Strobe Light
12	8-40-05018-1	1	Yellow Strobe Light
13	2-00-00838	1	Terminal Used on Strobe Light
14	2-00-00491	1	Grommet, .750 x .375 x .375 x .125 Used on Strobe Light
15	2-00-00512	2	Lock Washer, #10 Int Used on Strobe Light
16	2-00-04578	1	Connector Used on Strobe Light
17	2-00-04341	1	Grommet, .875 x .375 x .375 x .125 Used on Strobe Light
18	2-00-03063	2	Screw, #10 - 24 x .750 TH Used on Strobe Light
19	2-00-00605	2	Nut, Hex MS #10 - 24 x .375 x .125 Used on Strobe Light
20	8-90-07362	1	Wire Assembly Used on Light Support
21	2-00-00491	1	Grommet, .750 x .375 x .375 x .125 Used on Light Support
22	8-81-00145	1	Weldment Used on Light Support
23	8-11-00044	1	Boot Used on Instrument Panel
24	8-11-00015	1	Terminal Used on Instrument Panel
25	8-64-00008	1	Circuit Breaker (15 AMP) Used on Instrument Panel

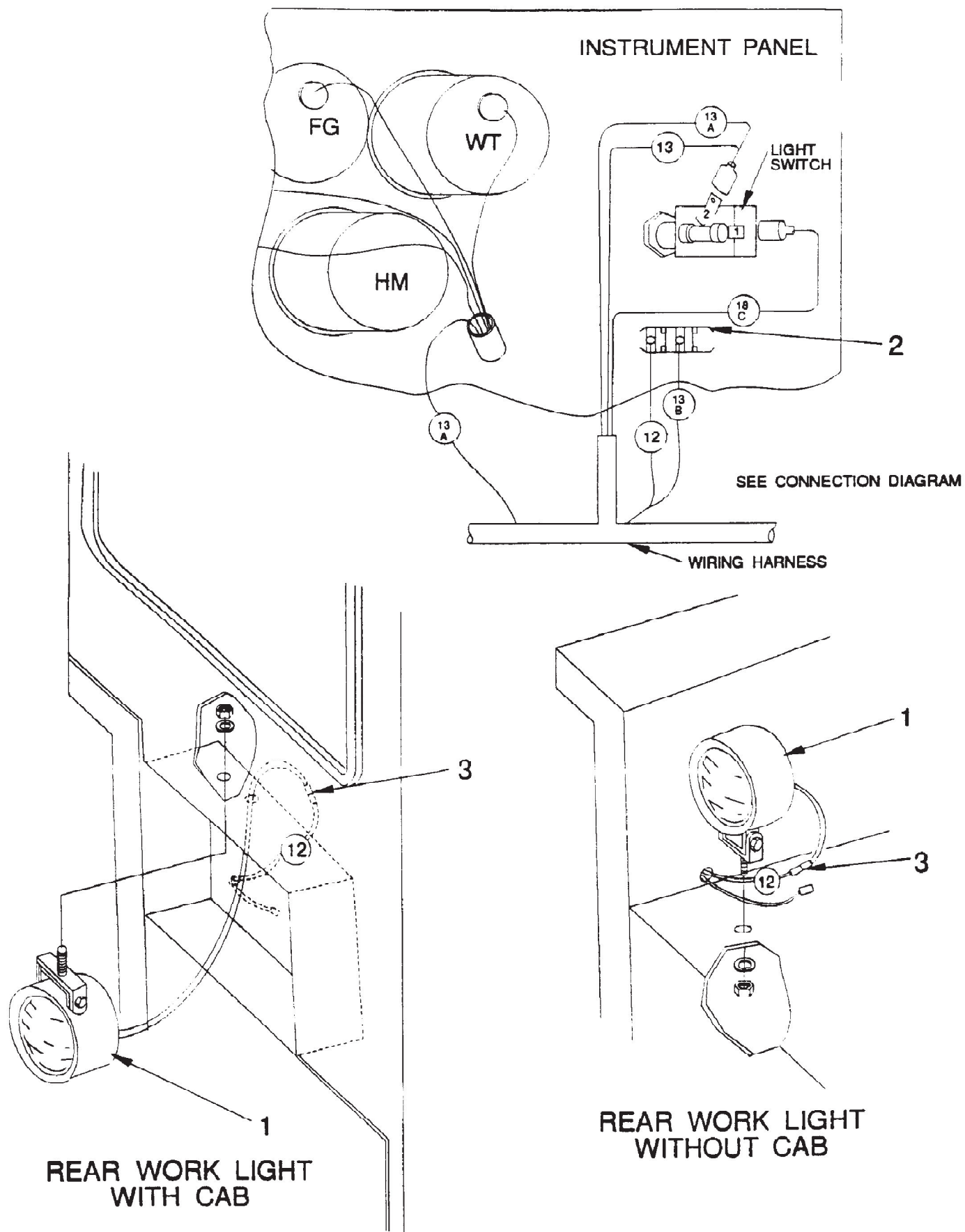


Referenznummer	Artikelnummer	Menge	Description
1	8-40-05010	1	Red Rotating Light
1	8-40-05010-1	1	Yellow Rotating Light
2	2-00-04578	1	Connector Used on Rotating Light
3	2-00-00491	1	Grommet, .750 x .375 x .375 x .125 Used on Rotating Light
4	2-00-00512	1	Lock Washer, #10 Int Used on Rotating Light
5	8-40-05033	1	Red Flashing Light
5	8-40-05033-1	1	Amber Flashing Light
6	2-00-04578	1	Connector Used on Flashing Light
7	2-00-00491	1	Grommet, .750 x .375 x .375 x .125 Used on Flashing Light
8	2-00-00512	2	Lock Washer, #10 Int Used on Flashing Light
9	2-00-03063	2	Screw, #10 - 24 x .750 TH Used on Flashing Light
10	2-00-00605	2	Nut, Hex MS #10 - 24 x .375 x .125 Used on Flashing Light
11	2-00-00426	2	Flat Washer, .500 x .218 x .062 Used on Flashing Light
12	8-40-05018	1	Red Strobe Light
12	8-40-05018-1	1	Yellow Strobe Light
13	2-00-00838	1	Terminal Used on Strobe Light
14	2-00-00491	1	Grommet, .750 x .375 x .375 x .125 Used on Strobe Light
15	2-00-00512	2	Lock Washer, #10 Int Used on Strobe Light
16	2-00-04578	1	Connector Used on Strobe Light
17	2-00-00605	2	Nut, Hex MS #10 - 24 x .375 x .125 Used on Strobe Light
18	2-00-03063	2	Screw, #10 - 24 x .750 TH Used on Strobe Light
19	2-00-00491	1	Grommet, .750 x .375 x .375 x .125 Used on Support Assembly
20	7-13-07096	2	Adjustable Clamp Used on Support Assembly
21	8-11-00044	1	Boot Used on Instrument Panel
22	8-64-00008	1	Circuit Breaker (15 AMP) Used on Instrument Panel

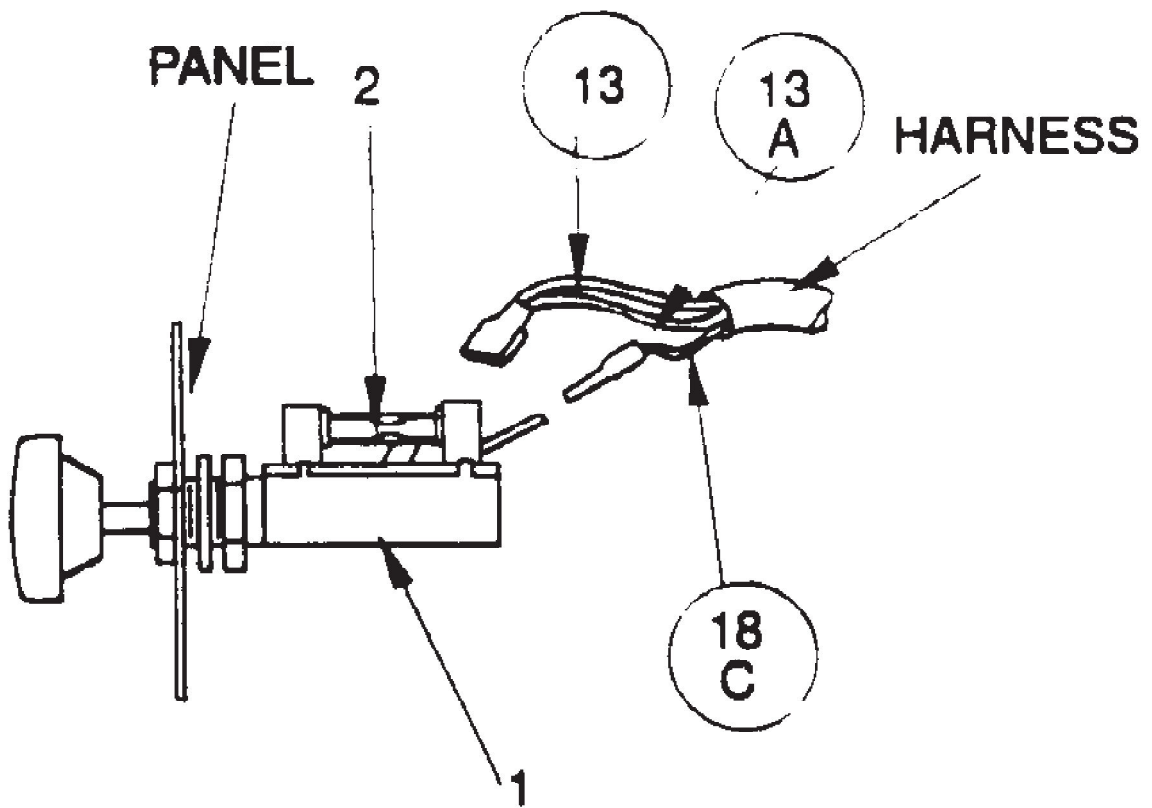


Referenznummer	Artikelnummer	Menge	Description
1	8-40-05010	1	Red Rotating Light
1	8-40-05010-1	1	Yellow Rotating Light
2	2-00-04578	1	Connector Used on Rotating Light
3	2-00-00491	1	Grommet, .750 x .375 x .375 x .125 Used on Rotating Light
4	2-00-00512	1	Lock Washer, #10 Int Used on Rotating Light
5	8-40-05033	1	Red Flashing Light
5	8-40-05033-1	1	Amber Flashing Light
6	2-00-04578	1	Connector Used on Flashing Light
7	2-00-00491	1	Grommet, .750 x .375 x .375 x .125 Used on Flashing Light
8	2-00-00512	2	Lock Washer, #10 Int Used on Flashing Light
9	2-00-04897	2	Screw, #10 - 24 x 1.250 TH Used on Flashing Light
10	2-00-00605	2	Nut, Hex MS #10 - 24 x .375 x .125 Used on Flashing Light
11	2-00-00426	2	Flat Washer, .500 x .218 x .062 Used on Flashing Light
12	8-40-05018	1	Red Strobe Light
12	8-40-05018-1	1	Yellow Strobe Light
13	2-00-00838	1	Terminal Used on Strobe Light
14	2-00-00491	1	Grommet, .750 x .375 x .375 x .125 Used on Strobe Light
15	2-00-00512	2	Lock Washer, #10 Int Used on Strobe Light
16	2-00-04578	1	Connector Used on Strobe Light
17	2-00-00605	1	Nut, Hex MS #10 - 24 x .375 x .125 Used on Strobe Light
18	2-00-03063	2	Screw, #10 - 24 x .750 TH Used on Strobe Light
19	2-00-00221	4	Screw, 1/4 - 20 x .750 HHC Used on Guard Wire & Support Assembly
20	8-90-07363	1	Wire Assembly Used on Guard Wire & Support Assembly
21	2-00-00491	1	Grommet, .750 x .375 x .375 x .125 Used on Guard Wire & Support Assembly
22	2-00-00518	4	Lock Washer, Helical Spring 1/4 Med Used on Guard Wire & Support Assembly
23	2-00-00594	4	Nut, Hex 1/4 - 20 x .437 x .218 Used on Guard Wire & Support Assembly
24	2-00-03063	3	Screw, #10 - 24 x .750 TH Used on Guard Wire & Support Assembly
25	2-00-04209	3	Cable Clamp Used on Guard Wire & Support Assembly
26	2-00-00426	3	Flat Washer, .500 x .218 x .062 Used on Guard Wire & Support Assembly
27	2-00-00512	3	Lock Washer, #10 Int Used on Guard Wire & Support Assembly

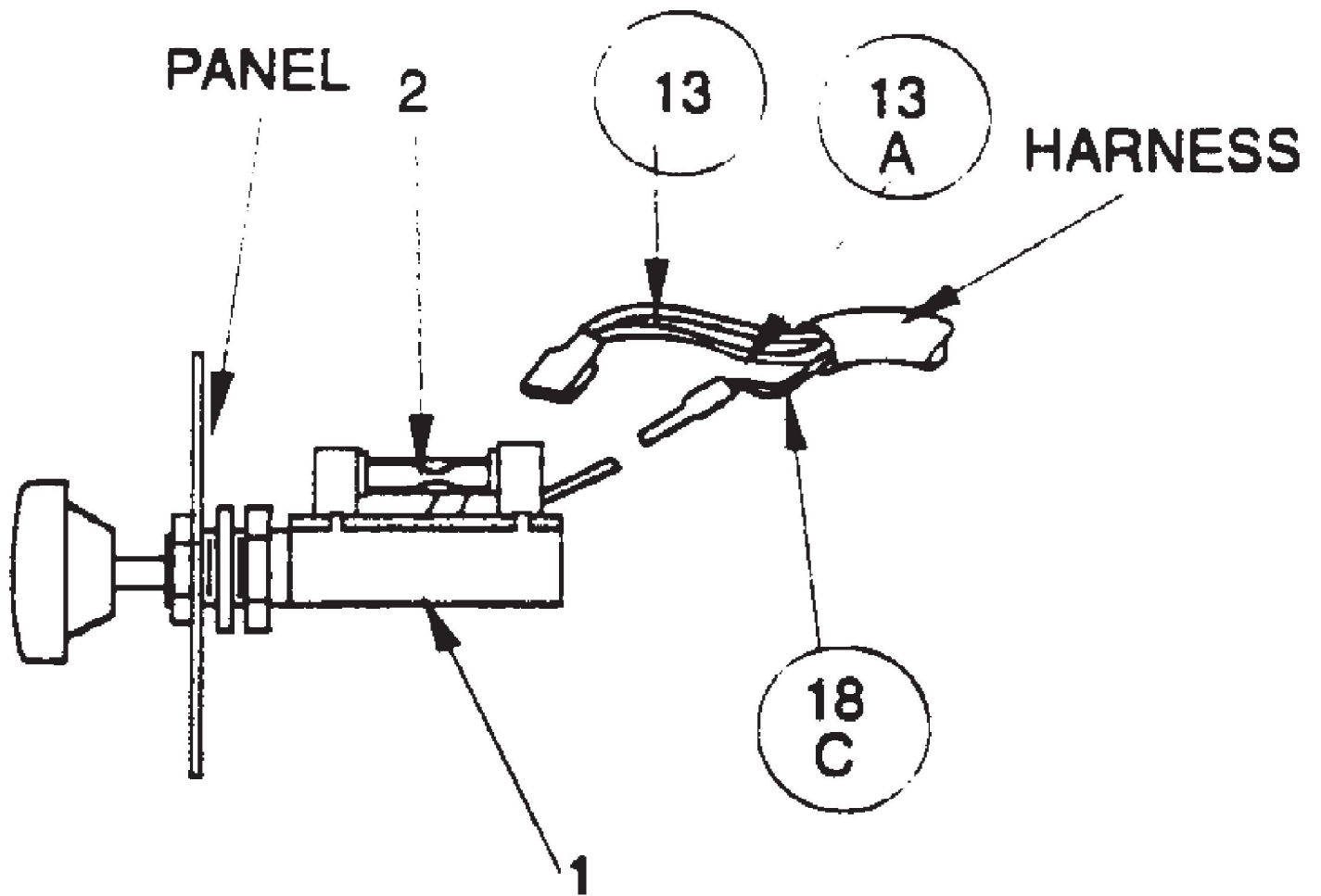
Referenznummer	Artikelnummer	Menge	Description
28	2-00-00605	3	Nut, Hex MS #10 - 24 x .375 x .125 Used on Guard Wire & Support Assembly
29	8-58-05228	1	Light Support Used on Guard Wire & Support Assembly
30	8-11-00044	1	Boot Used on Instrument Panel
31	8-11-00015	1	Terminal Used on Instrument Panel
32	8-64-00008	1	Circuit Breaker (15 AMP) Used on Instrument Panel



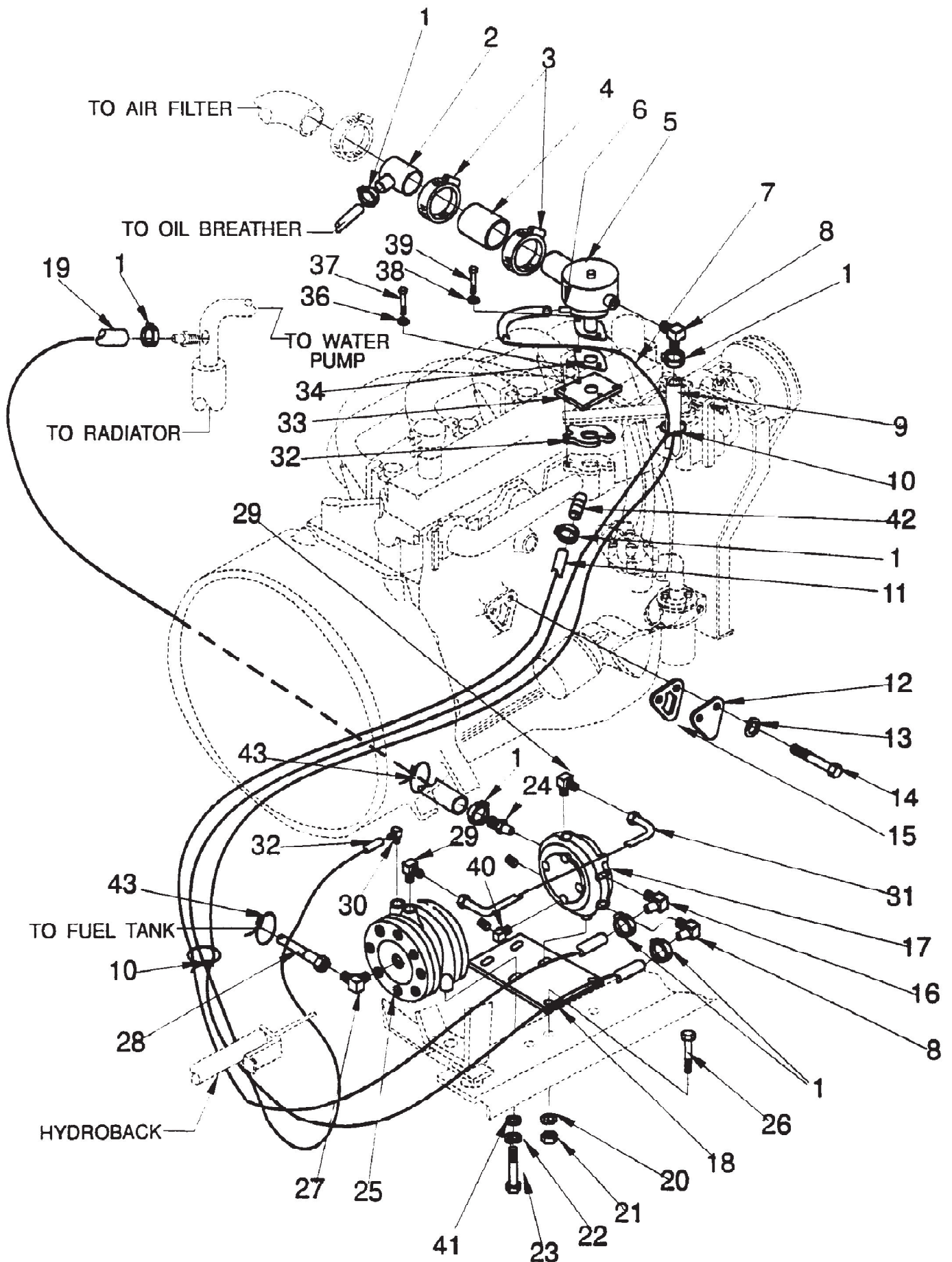
Referenznummer	Artikelnummer	Menge	Description
1	8-40-05002	1	Rear Work Light
2	8-82-00044	1	Switch, SPST on/off
3	2-00-04578	1	Terminal, Male Bullet



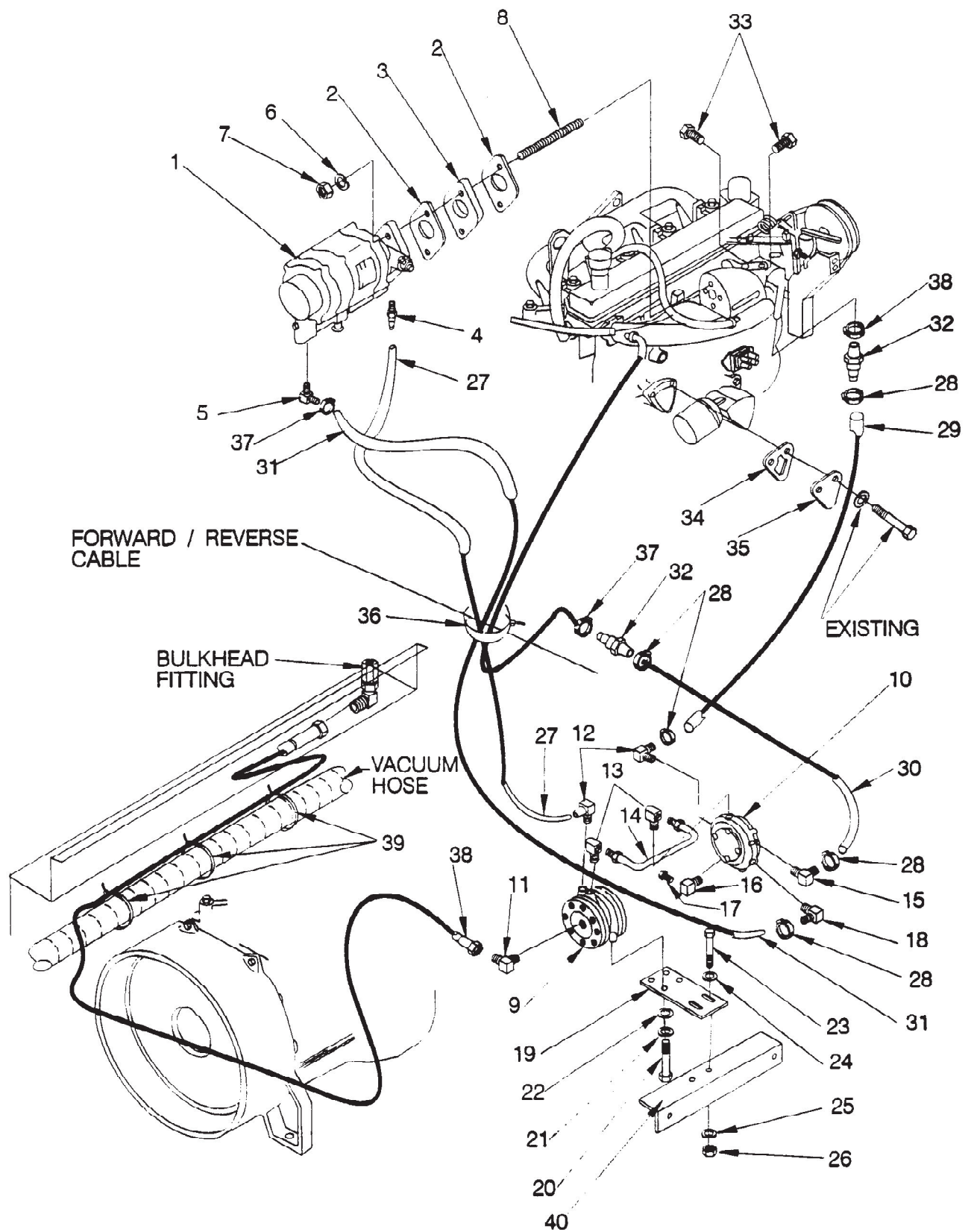
Referenznummer	Artikelnummer	Menge	Description
1	8-82-00027	1	Light Switch
2	8-28-05012	1	Fuse - 20 Amp
	0880-351		HEAD TAIL & INSTR LIGHTS ASSY Includes: Headlights, Taillights and Instrument Lights
	0880-354		LIGHTS-HEAD, TAIL, BRAKE Includes: Headlights, Taillights, Instrument Light and Brake Light



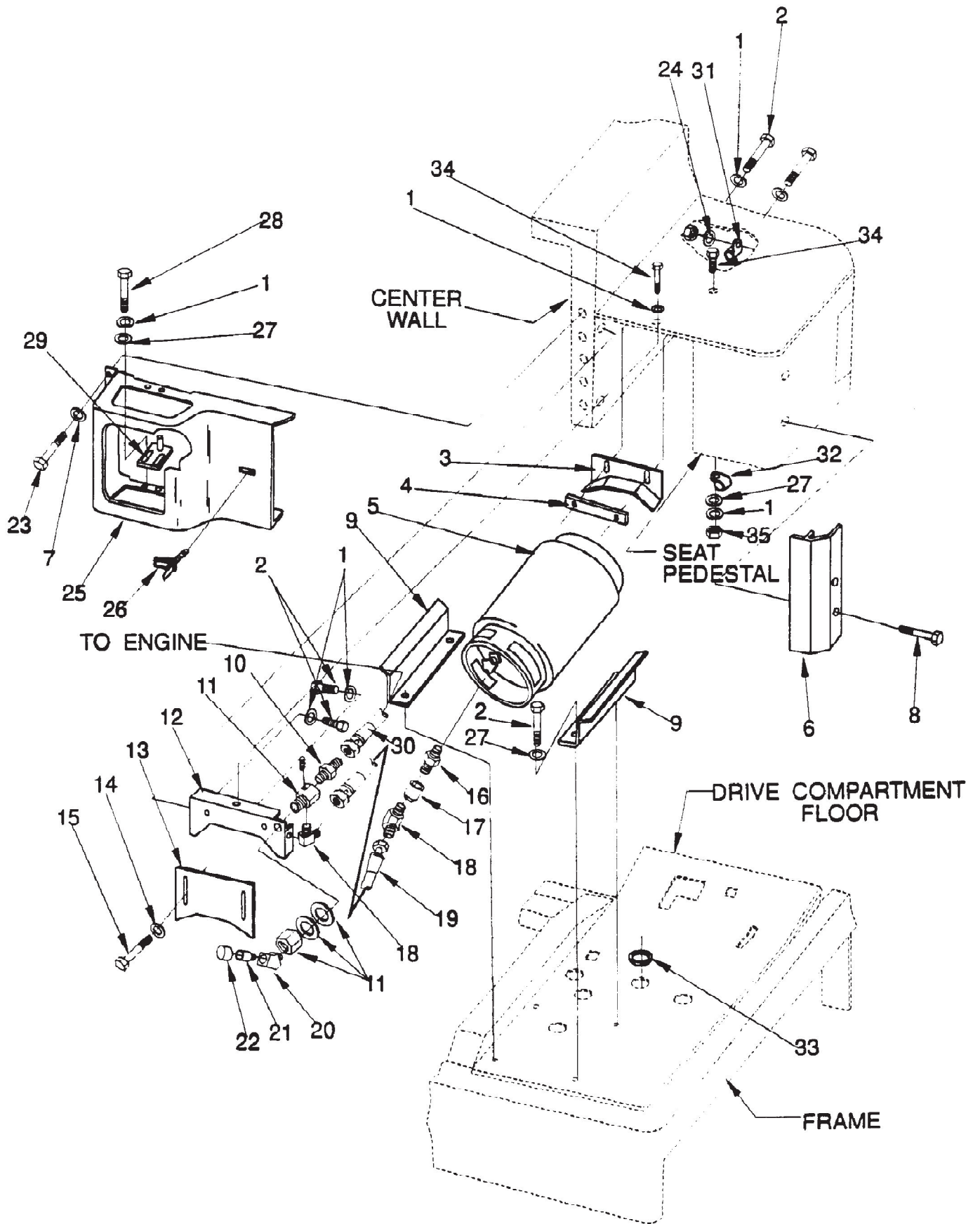
Referenznummer	Artikelnummer	Menge	Description
	0880-354		LIGHTS-HEAD,TAIL,BRAKE Headlights, Taillights, Instrument Lights, Brake Lights and Turn Signals
1	8-82-00027	1	Light Switch
2	8-28-05012	1	Fuse - 20 Amp



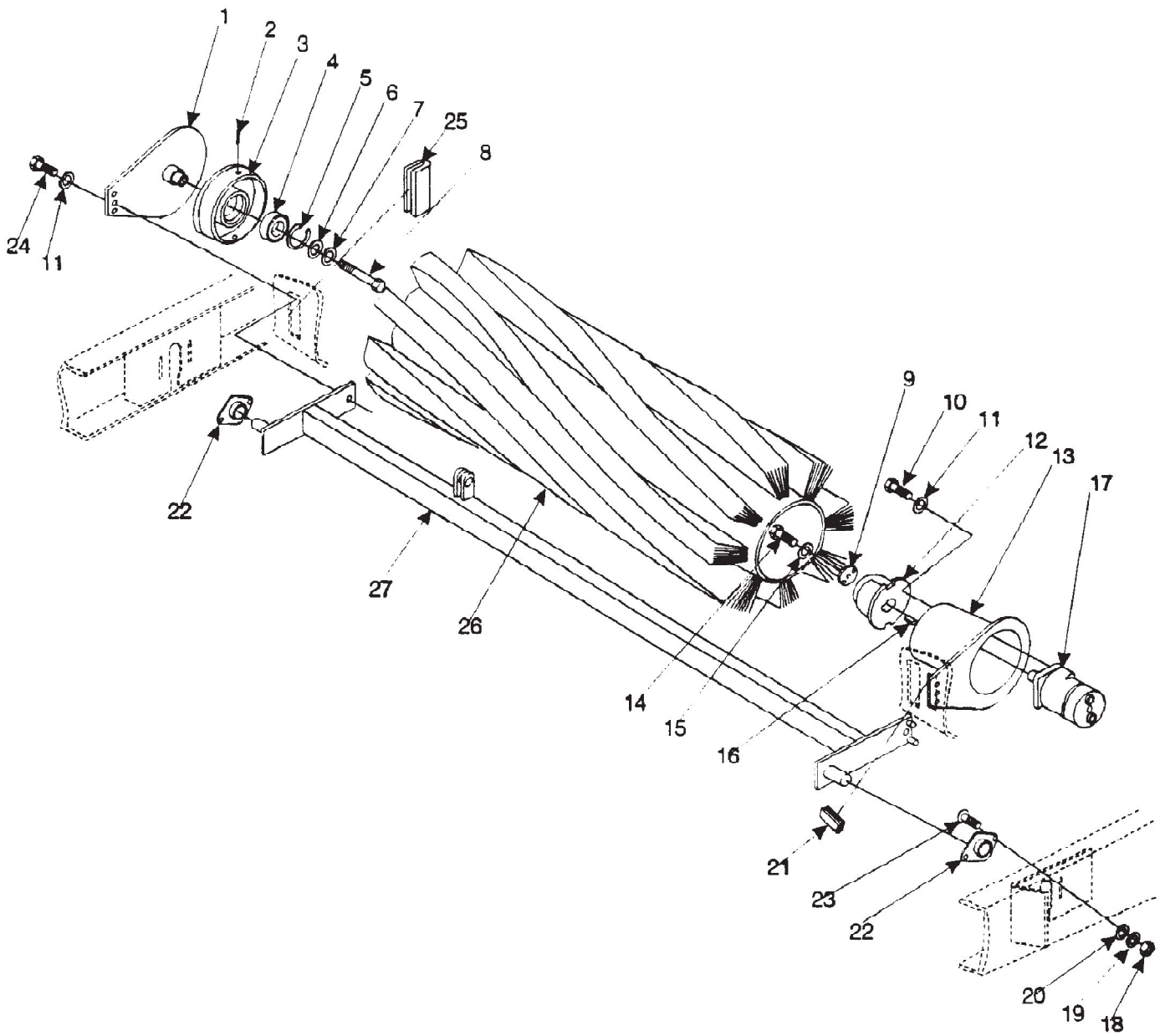
Referenznummer	Artikelnummer	Menge	Description
1	2-00-03407	6	Hose Clamp, .562 - 1.062
2		1	Tube Connector
3	2-00-02216	2	Hose Clamp, 1.562 - 2.500
4		1	Hose, 2 x 3"
5		1	Carburetor
6		1	Fitting, .25 x .28 Tube
7		1	Hose, Vac.-.25 x 28.50
8		2	Fitting, 1/2 NPT x 5/8 Tube 90° Elbow
9		1	Hose, Vapor 5/8 x 31"
10	2-00-04345	2	Ty-Rap
11		1	Hose, Water 5/8 x 2"
12		1	Cover, Fuel Pump Opening
13		Ref	Lock Washer
14		Ref	Screw, HHC
15		1	Gasket, Fuel Pump Cover
16		1	Fitting
17		1	Regulator - Vaporizer
18		1	Bracket
19		1	Water Hose, 5/8
20	2-00-02310	2	Lock Washer, Helical Spring 3/8 Med
21	2-00-02360	2	Nut, Hex 3/8-16 x .562 x .328
22	2-00-00518	1	Lock Washer, Helical Spring 1/4 Med
23	2-00-00220	4	Screw, 1/4 - 20 x .625 HHC
24		1	Fitting, 3/8 NPT x 5/8 Tube 180°
25		1	Fuel Lock Filter
26	2-00-00233	2	Screw, 3/8 - 16 x 1.000 HHC
27	8-25-02012	1	Fitting, 1/4 NPT x 3/8 SAE 90° Elbow
28		1	Hose, 5/16 x 88.00
29		2	Fitting, 1/4 NPT x 1/4 Invt. 90° Elbow
30		1	Fitting, 1/8 NPT x 7/32 Tube 90° Elbow
31		1	Fuel Crossover Live
32		1	Carburetor Mounting Gasket
33		1	Carburetor Mounting Plate
34		1	Carburetor Mounting Gasket
35		1	Hose, PVC 5/8 x 12.00
36	2-00-02303	2	Lock Washer, 5/16 Int
37		1	Screw, M8 - 20 MHHM
38	2-00-00530	2	Lock Washer, 5/16
39	2-00-00213	2	Screw, 5/16 - 18 x .625 HHC
40		1	Fitting, 1/8 NPT x 1/8 FM 90°
41	2-00-00406	4	Flat Washer, 1/4
42		1	Fitting, 3/8 NPT x 5/8 Tube 45° Elbow
43	2-00-04345	3	Nylon Tyrap
	8-11-04015	1	LP Kit for FORD 411 Engine



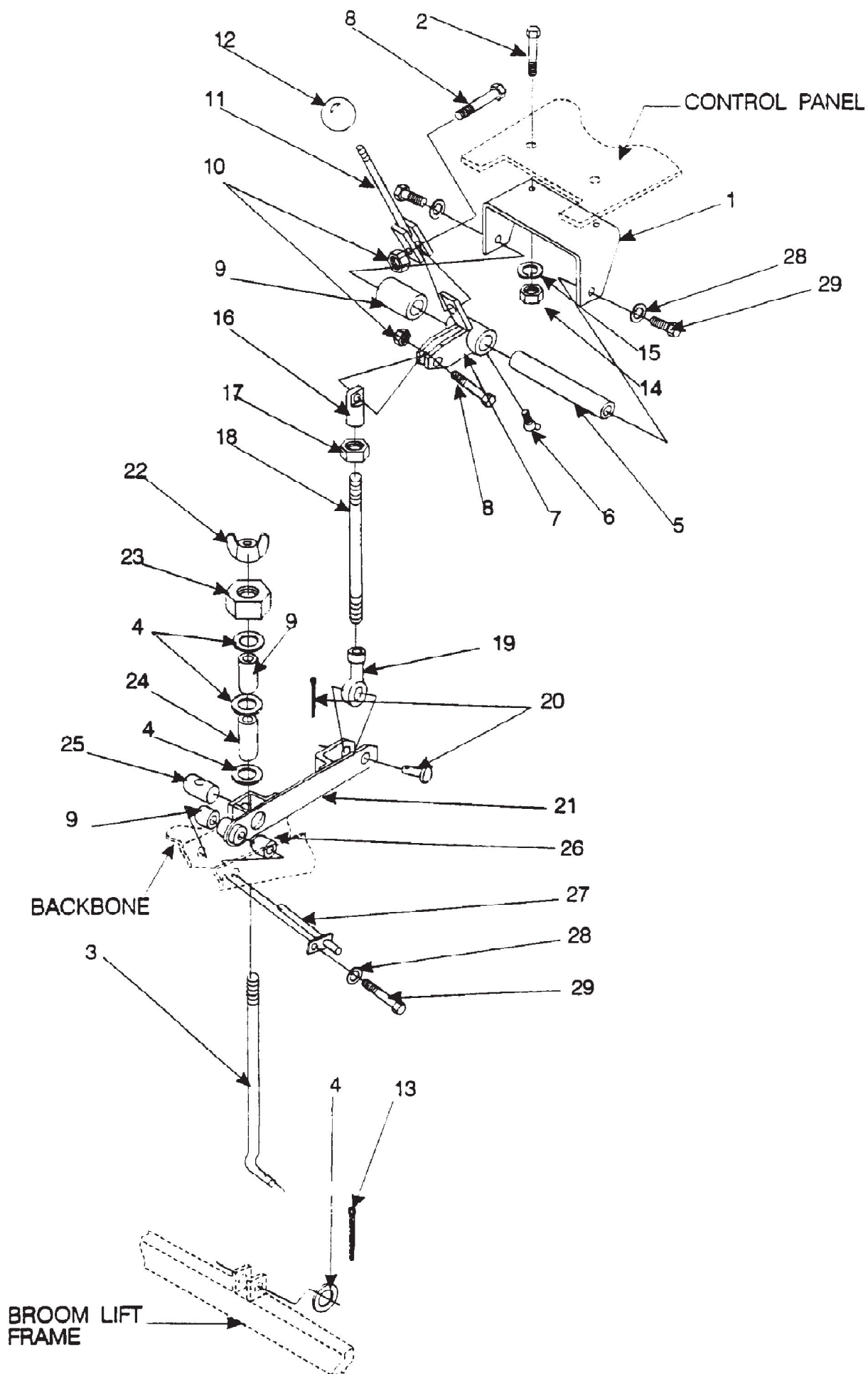
Referenznummer	Artikelnummer	Menge	Description
	8-11-04019		IMCO LP Carburetion Kit Includes items 1 thru 37
1		1	Throttle Body & Mixer Assembly
2		1	Gasket
3		1	Spacer
4		1	Vacuum Fitting, 1/4 -28 Str x 1/4 Hose
5		1	Vapor Fitting, 3/8 NPT (M) x 5/8 Hose x 90° Elbow
6		2	Lock Washer, 5/16
7		4	Metric Hex Nut, M8 x 1.250
8		2	Metric Stud, M8 x 1.250 (43MM Lg.)
9		1	Fuel Lock Filter
10		1	Vaporizer/Regulator
11		1	Fitting, 1/4 NPT (M) x 3/8 SAE x 90° Elbow
12		1	Vacuum Fitting, 1/8 NPT (M) x 1/4 Hose x 90° Elbow
13		2	Fitting, 1/4 NPT (M) x 1/4 Tube x 90° Elbow
14		1	U-Tube, 1/4 Tube
15		2	Water Fitting, 3/8 NPT (M) x 5/8 Hose x 90° Elbow
16		1	Fitting, 1/8 NPT Street Elbow
17		1	Plug, 1/8 NPT
18		1	Vapor Fitting, 1/2 NPT (M) x 5/8 Hose x 90° Elbow
19		1	Mounting Plate
20		4	1/4 Hex Bolt, .625" LG.
21		4	1/4 Split Lock Washer
22		4	1/4 Washer
23		2	3/8" Hex Bolt x 1.000 LG.
24		2	3/8 Washer
25		2	3/8 Split Lock Washer
26		2	3/8 Hex Nut
27		1	1/4 Vacuum Hose, 21.000" LG.
28		5	Hose Clamp
29		1	5/8 ID Water Hose, 20.000" LG.
30		1	5/8 ID Water Hose, 9.500" LG.
31		1	5/8 ID Vapor Hose, 24.500" LG.
32		2	5/8 Barb x Barb
33		2	3/8" Plug, Hex Head
34		1	Pump Gasket
35		1	Pump Cover
36		1	Tie
37		3	Hose Clamp
38	7-33-02246	Ref	Hose, 5/16 ID x 54" LG.
39	2-00-04345	Ref	Ties
40	7-81-00159	1	Support Bracket



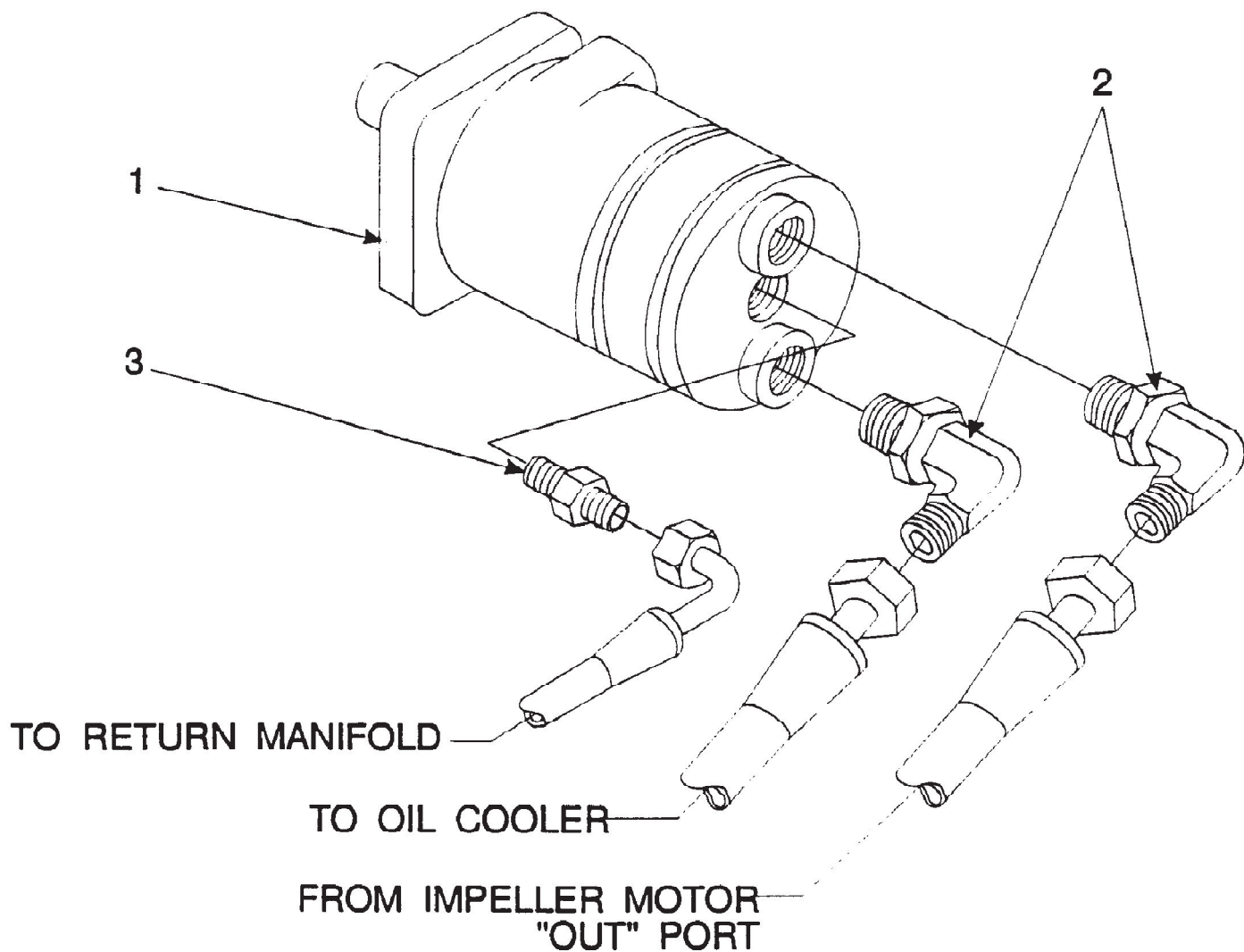
Referenznummer	Artikelnummer	Menge	Description
1	2-00-00518	12	Lock Washer, Helical Spring 1/4 Med
2	2-00-00219	8	Screw, 1/4 - 20 x .500 HHC
3	8-65-00041	1	Rear Retainer
4	8-08-00619	1	Tapped Strap
5	8-83-04016	1	LP Tank
6	8-78-05018	1	Tank Support
7	2-00-02312	5	Lock Washer, Helical Spring 1/2 Med
8	2-00-02617	2	Screw, 1/2 - 13 x 3.250 HHC
9	8-81-00144	2	Tank Support
10		1	Fitting, 1/4 NPT x 3/8 SAE Str.
11		1	Fitting, Bulk Head Plus Hardware
12	8-52-00122	1	Seat Compartment Wall
13	8-65-00042	1	Tank Retainer
14	2-00-00409	2	Flat Washer, .687 x .343 x .062
15	2-00-04867	2	Screw, 5/16 - 18 x 1.000 TB
16		1	Fitting
17		1	Coupling
18		2	Fitting, 1/4 NPT x 3/8 SAE 90° Elbow
19		1	Hose, Tank to Relief Valve
20		1	Fitting, 1/4 NPT x 1/4 FM 45° Elbow
21		1	Relief Valve
22		1	Plastic Cap
23	2-00-00239	1	Screw, 1/2 - 13 x 1.000 HHC
24	2-00-02310	6	Lock Washer, Helical Spring 3/8 Med
25	8-08-07052	1	Bumper
26	8-41-00040	1	Latch
27	2-00-00407	7	Flat Washer, .562 x .265 x .062
28	2-00-00221	2	Screw, 1/4 - 20 x .750 HHC
29	8-08-00620	1	Tank Locating Pin
30	8-33-02238	Ref	Hose, Engine to Relief Valve (FORD)
31	8-13-07091	1	Clamp
32	2-00-04564	1	Cable Clamp, .812
33	8-09-01077	1	Grommet
34	2-00-00205	1	Screw, 1/4 - 20 x 1.000 HHC
35	2-00-00594	5	Nut, Hex 1/4 - 20 x .437 x .218



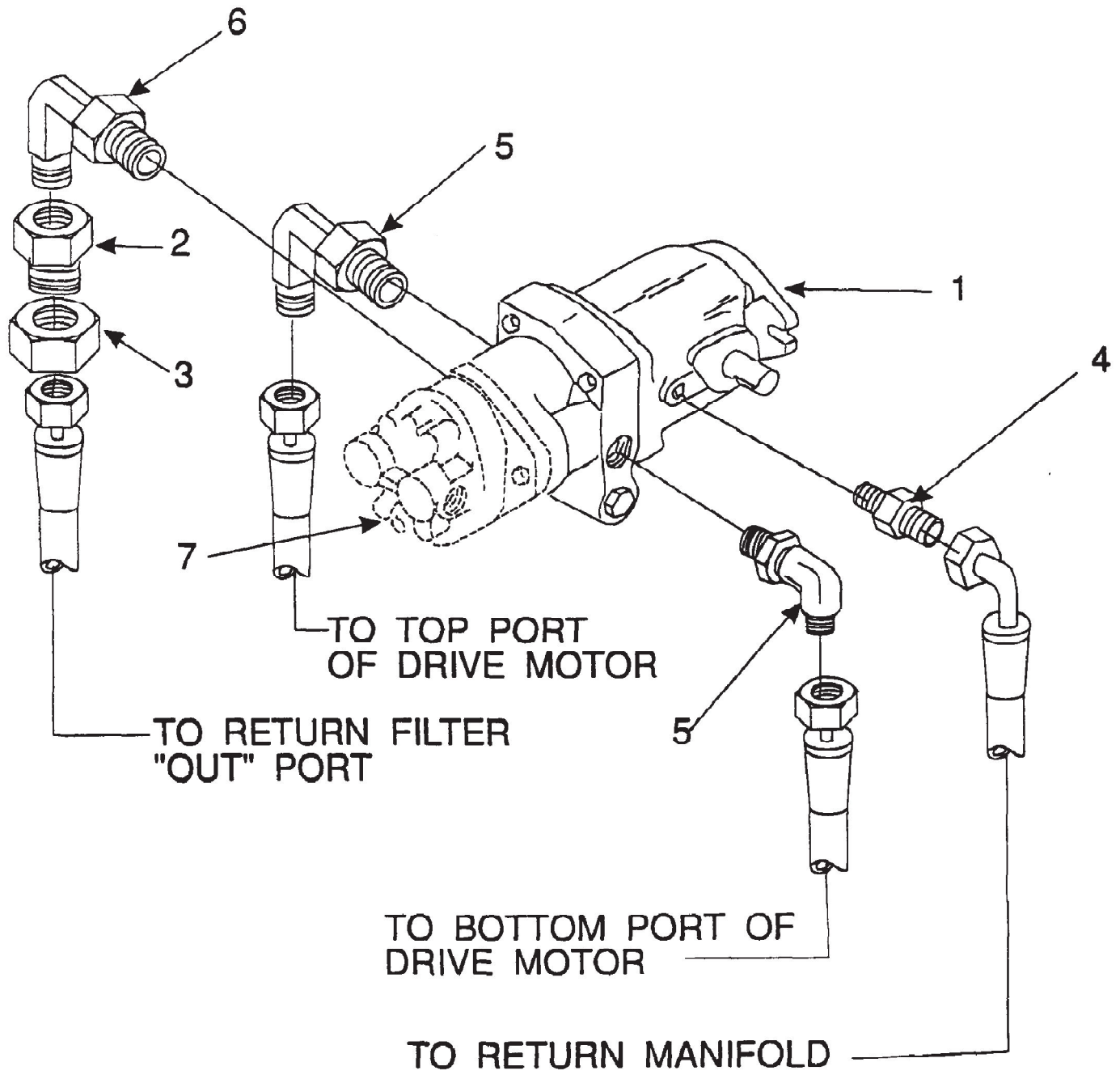
Referenznummer	Artikelnummer	Menge	Description
1	8-16-00039	1	Idler Broom Arm
2	2-00-04886	2	Screw, 3/8 - 16 x .500 HSHC
3	8-33-09074	1	Idler Hub
4	2-00-04889	1	Ball Bearing
5	2-00-04890	1	Retaining Ring, 2.437 Int.
6	2-00-04888	1	Flat Washer, 3/4 (Series W)
7	2-00-00522	1	Lock Washer, Helical Spring 3/4 Light
8	2-00-04887	1	Screw, 3/4 - 10 x 1.250 HHC
9	8-58-05160	1	Locking Hub Plate
10	2-00-00232	4	Screw, 3/8 - 16 x .750 HHC
11	2-00-02310	8	Lock Washer, Helical Spring 3/8 Med
12	8-33-09046-1	1	Drive Hub
13	8-16-00041	1	Drive Broom Arm
14	2-00-03039	3	Screw, 1/4 - 20 x .625 HSHC
15	2-00-00518	10	Lock Washer, Helical Spring 1/4 Med
16	2-00-03838	1	Woodruff Key, .25 x 1 (#15)
17	0882-040	Ref	Hydraulic Motor
18	2-00-00585	4	Nut, Hex 5/16 - 18 x .500 x .265
19	2-00-00530	4	Lock Washer, Helical Spring 5/16 Med
20	2-00-00409	4	Flat Washer, .687 x .343 x .062
21	8-21-04048	2	Edging
22	2-00-03997	2	Range Bearing, 3.750 x 1.000
23	2-00-00196	4	Carriage Bolt, 5/16 - 18 x 1.000
24	2-00-00233	2	Screw, 3/8-16 x 1.000 HHC
25	8-29-00220	4	Broom Chamber Gasket
26			See Broom Options Illustration
27	8-16-00049	1	Main Broom Lift Frame



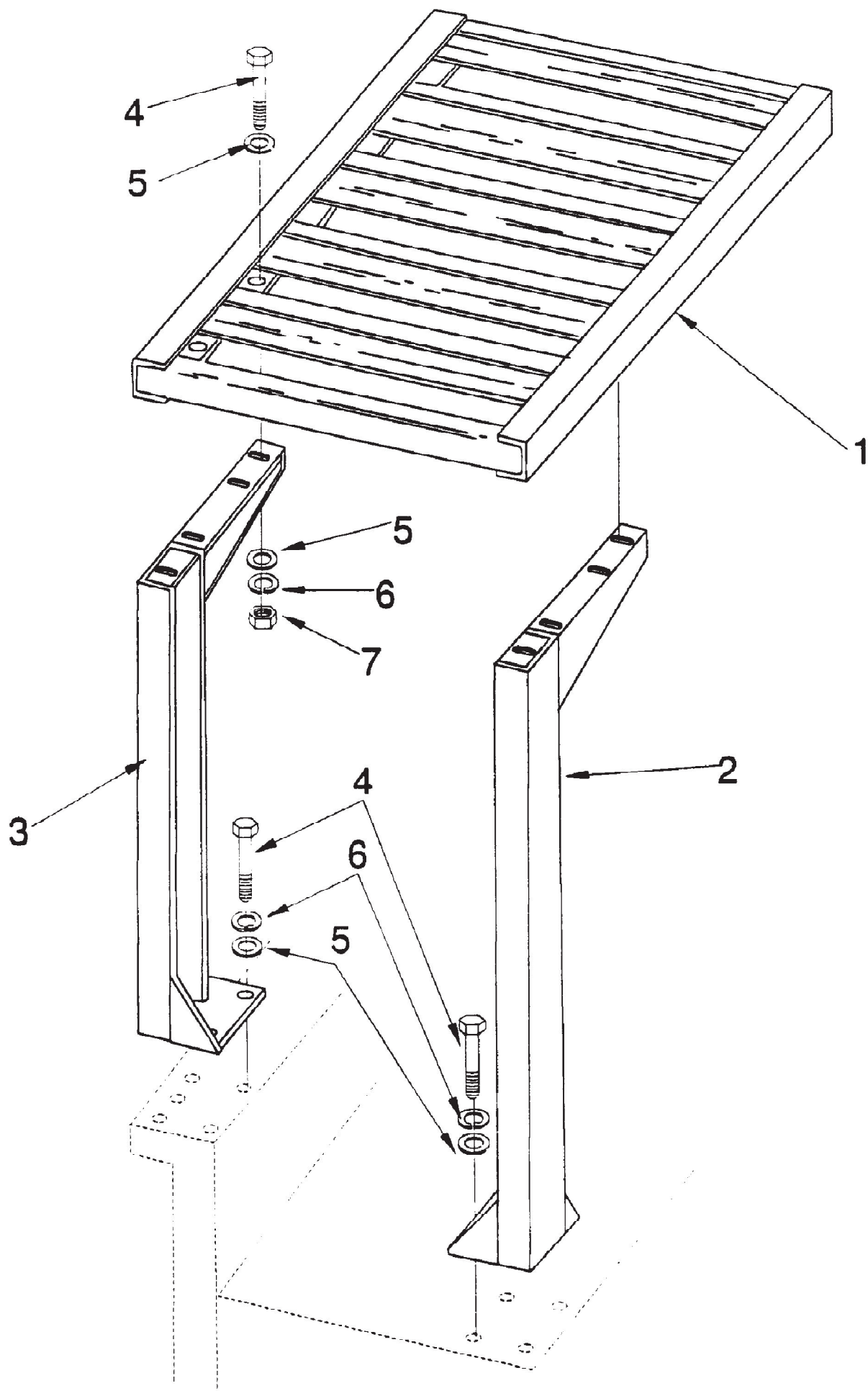
Referenznummer	Artikelnummer	Menge	Description
1	8-08-00645	1	Shaft Bracket
2	2-00-00208	2	Screw, 5/16 - 18 x .750 HHC
3	8-66-00163	1	Rod - Linkage (Main Broom)
4	2-00-00432	4	Flat Washer, 1.125 x .765 x .062
5	8-70-05284	1	Shaft
6	2-00-02558	1	Lubrication Fitting, 45ø 1/8 NPT
7	8-16-00035	1	Pivot Block
8	2-00-00234	2	Screw, 3/8 - 16 x 1.500 HHC
9	8-75-01177	3	Pivot Tube
10	2-95-04182	2	Nut, Hex Fiber Insert 3/8 - 16
11	8-16-00034	1	Lever
12	8-39-00003	1	Knob
13	2-00-02436	1	Cotter Pin, 1.500 x 1.875
14	2-00-00530	2	Lock Washer, Helical Spring 5/16 Med
15	2-00-00585	2	Nut, Hex 5/16 - 18 x .500 x .265
16	8-66-00141	1	Rod End
17	2-00-00591	2	Nut, Hex Jam 1/2 - 20 x .750 x .312
18	8-66-00150	1	Control Rod Lift Linkage Rod
19	8-66-00144	1	"MPB" Rod End # WF-8-32
20	8-55-08101	1	Clevis Pin # 1/2 - 1 3/4 - E & E
21	8-16-00037	1	Lift Linkage
22	2-00-04891	1	Wing Nut, 3/4 - 10
23	8-39-00011	1	Torque Knob
24	8-75-01180	1	Spacer
25	8-55-08099	1	Pivot Pin
26	8-75-01178	3	Spacer, .78 x .97
27	8-16-00038	1	Pulley Shaft
28	2-00-00518	3	Lock Washer, Helical Spring 1/4 Med
29	2-00-00221	3	Screw, 1/4 - 20 x .750 HHC



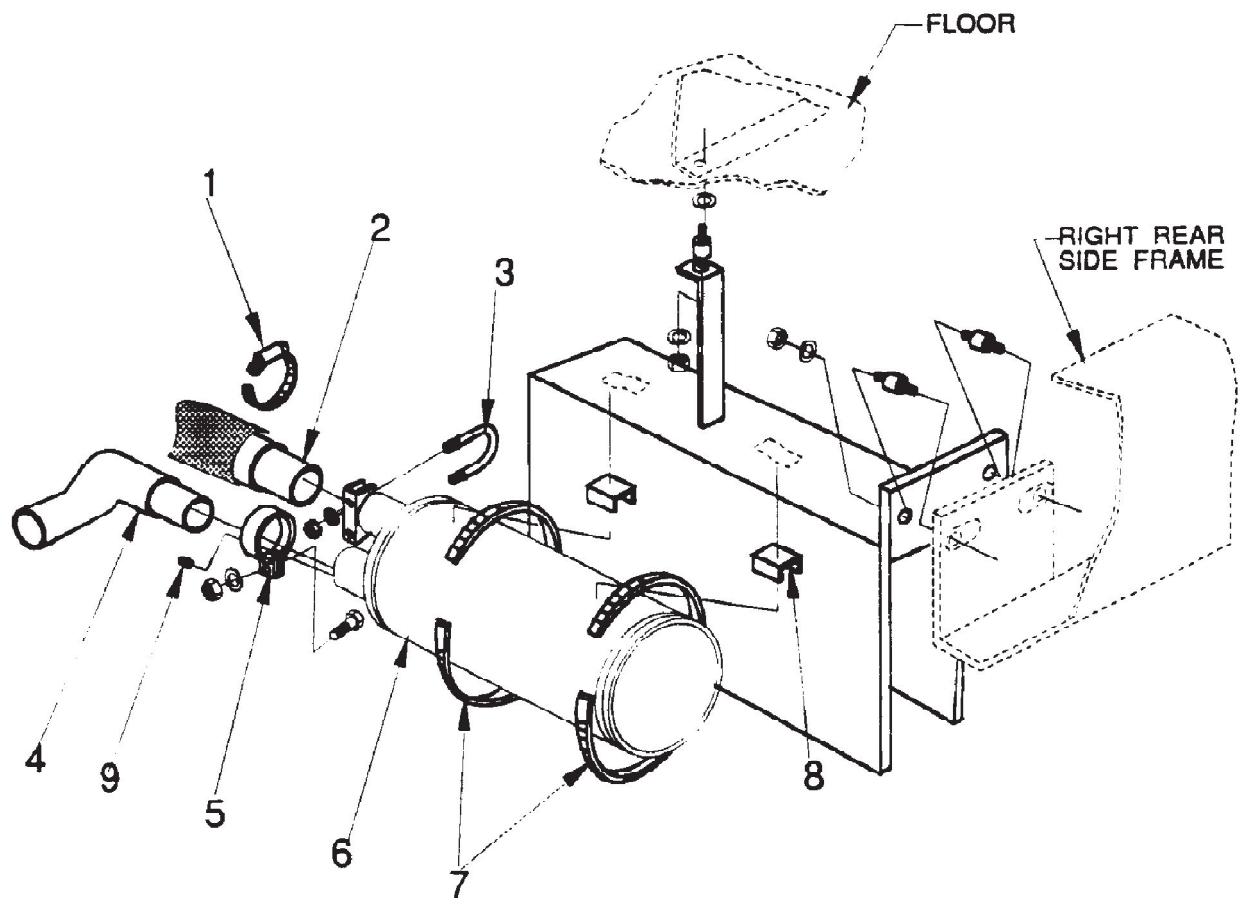
Referenznummer	Artikelnummer	Menge	Description
1	0882-040	1	Hydraulic Motor
	088-448	1	Motor Seal Kit Not Shown
2	2-00-04885	2	ORFS 90° Elbow, 3/4-16 to 13/16-16
3	2-00-04895	1	ORFS Connector, 7/16-20 to 9/16-18



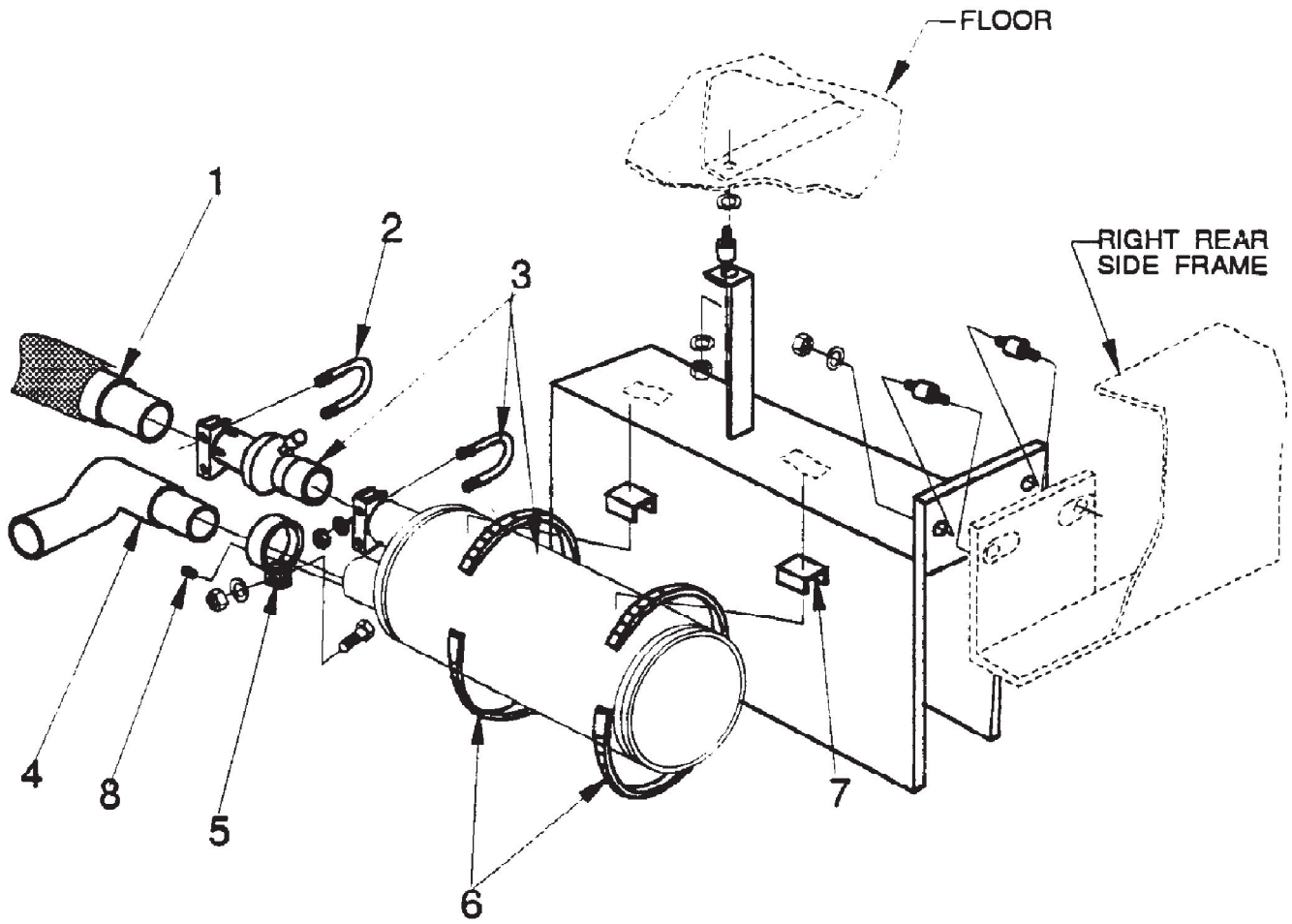
Referenznummer	Artikelnummer	Menge	Description
1	8-60-05006-2	1	Main Pump
	0880-404	1	Pump Assembly Kit NOT SHOWN
2	2-00-04929	1	Reducer Fitting
3	2-00-04939	1	Nut Fitting
4	2-00-04918	1	Straight Fitting
5	2-00-04922	2	ORFS 90° Elbow, 1 1/16-12 to 13/16-16
6	2-00-04885	1	90° Elbow
7	8-60-05022	1	Auxiliary Pump



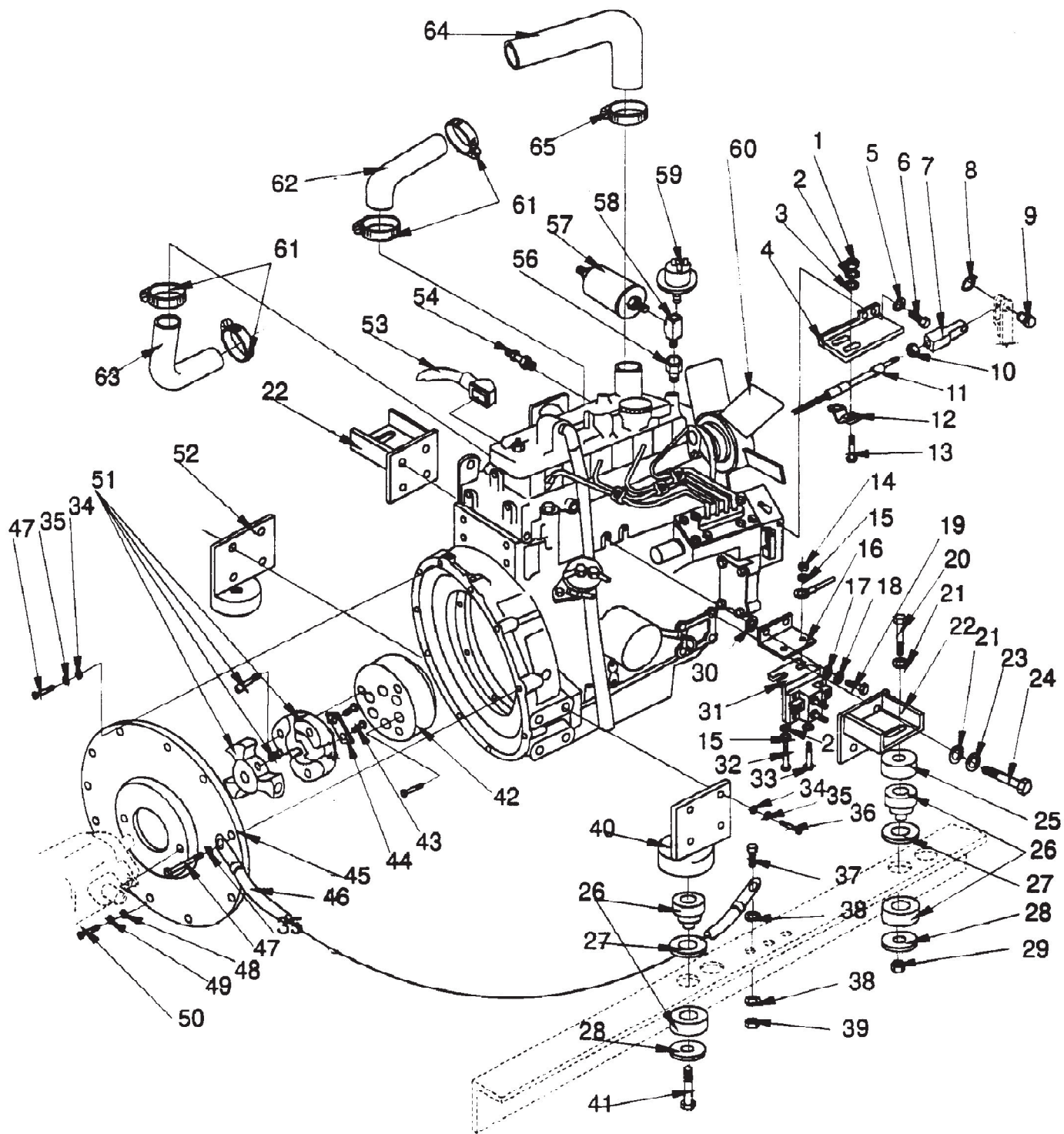
Referenznummer	Artikelnummer	Menge	Description
1	7-30-05055		Guard
2	8-30-05131	1	Right Hand Upright Guard
3	8-30-05130	1	Left Hand Upright Guard
4	2-00-00240	16	Screw, 1/2 - 13 x 1.250 HHC
5	2-00-00420	24	Flat Washer, 1.000 x .515 x .062
6	2-00-02312	16	Lock Washer, Helical Spring 1/2 Med
7	2-00-00596	8	Nut, Hex 1/2 - 13 x .750 x .437



Referenznummer	Artikelnummer	Menge	Description
1	2-00-03404	Ref	Hose Clamp, 1.062 - 2.000
2	8-56-04042	Ref	Exhaust Pipe (PERKINS)
3	2-00-04040	Ref	Muffler Clamp, 1.500 Tube Size
4	8-56-04030	Ref	Tail Pipe
5	7-13-07082	Ref	Clamp
6	8-49-00025	1	Oxy-Catalytic Muffler
7	2-00-04400	Ref	Hose Clamp, 5.000 - 7.000
8	8-75-01174	2	Spacer
9	2-00-02471	1	Pipe Plug, 1/4 NPT

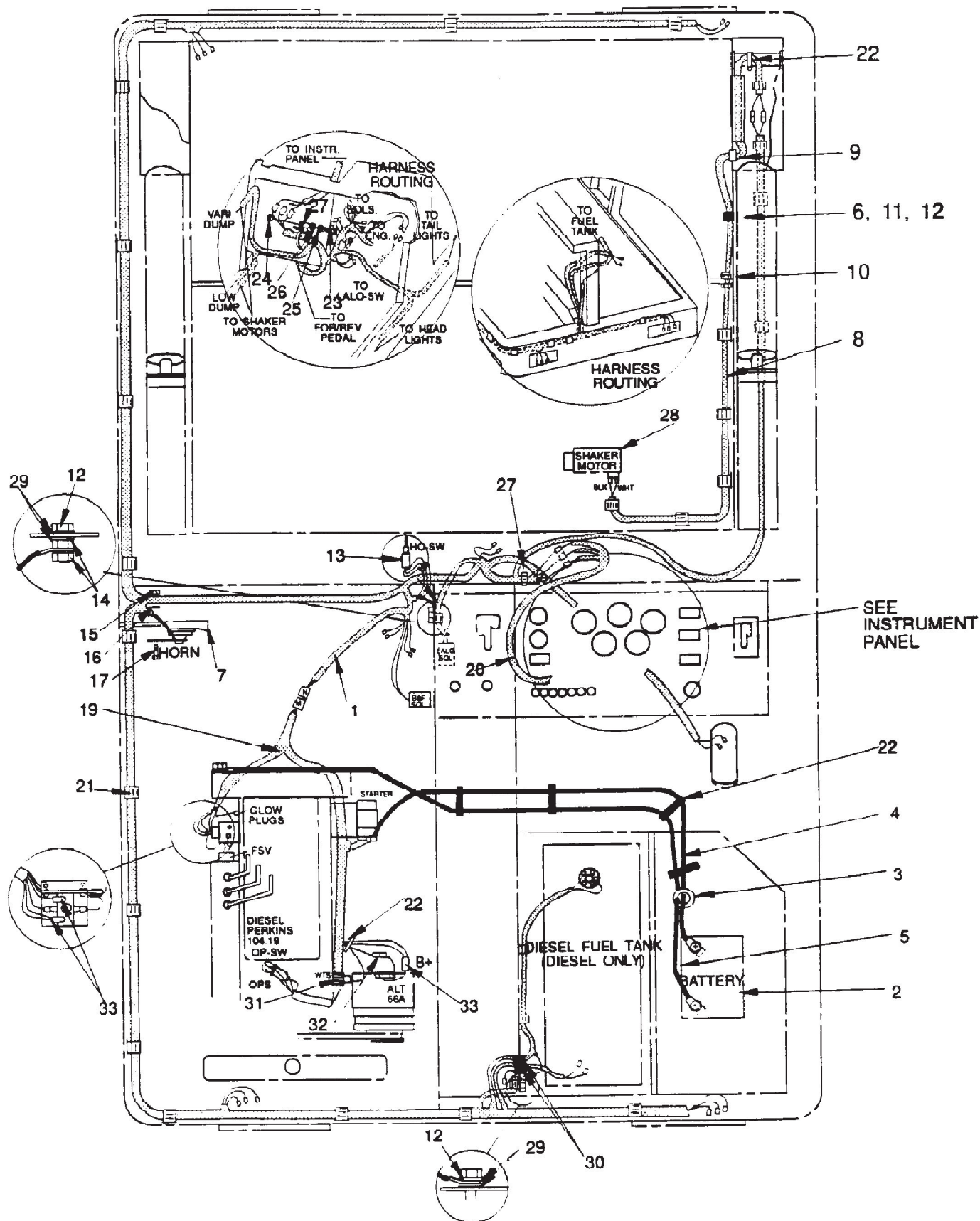


Referenznummer	Artikelnummer	Menge	Description
1	8-56-04029	1	Exhaust Pipe (FORD 411)
2	2-00-04040	1	Muffler Clamp, 1.500 Tube Size
3	8-49-00024	1	Oxy-Catalytic Muffler
4	8-56-04030	Ref	Tail Pipe
5	7-13-07082	Ref	Clamp
6	2-00-04400	Ref	Hose Clamp, 5.000 - 7.000
7	8-75-01174	2	Spacer
8	2-00-02471	1	Pipe Plug, 1/4 NPT
9			UNKNOWN

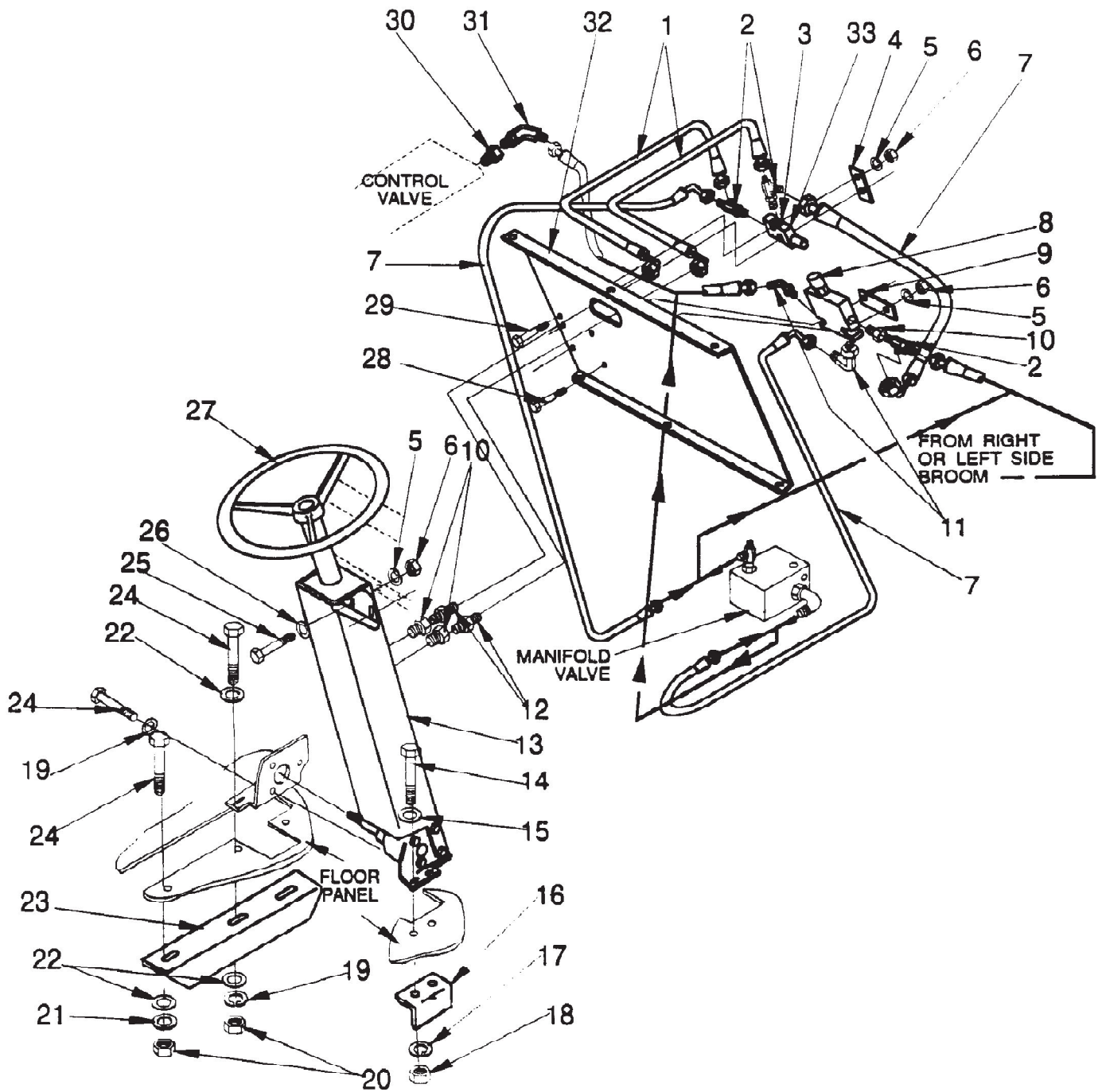


Referenznummer	Artikelnummer	Menge	Description
1	2-00-01246	2	Nut, Hex Fiber Insert #10-24
2	2-00-00426	4	Flat Washer, .500 x .218 x .062
3	2-00-02296	2	Lock Washer, #10 Ext.
4	8-08-00714	1	Throttle Cable Bracket
5	2-00-00518	2	Lock Washer, Helical Spring 1/4 Med
6	2-00-05078	2	Screw, M6 x 1.000 x 10mm MHHC
7	8-14-01012	1	Throttle Adjustment Clovis
8	2-00-00546	1	Retaining Ring, Ext. .312
9	8-55-08083	1	Clevis Pin
10	2-00-00626	1	Nut, Hex MS #10-32 x .375 x .125
11	8-10-00033	1	Throttle Cable
12	8-13-07094	1	Conduit Clamp
13	2-00-04794	2	Screw, #10-24 x .625 BHS
14	2-00-00605	1	Nut, Hex MS #10-24 x .375 x .125
15	2-00-00519	2	Lock Washer, Helical Spring #10 Med
16	8-08-00604	1	Glow Plug Solenoid Bracket
17	2-00-00409	2	Flat Washer, .687 x .343 x .062
18	2-00-00530	2	Lock Washer, Helical Spring 5/16 Med
19	2-00-04363	2	Screw, M8 x 1.255 x 20mm MHHC
20	2-00-04914	2	Screw, 1/2-13 x 4.500 HHC
21	2-00-04159	10	Flat Washer, 1.375 x .562 x .109
22	8-08-00713	2	Motor Mounting Bracket
23	2-00-05044	8	Lock Washer, Helical Spring (M14)
24	2-00-05079	8	Screw, M14 x 1.500 x 25mm MHHC
25	8-75-01190	2	Spacer, Front Engine Mount
26	7-35-00017	4	Isolator
27	8-75-01167	4	Spacer, 2.000 x 1.250 x .188
28	2-00-05067	4	Flat Washer, 11.750 x .531 x .100
29	2-00-04936	2	Nut, Hex Fiber Insert 1/2 - 13
30	2-00-02303	2	Lock Washer, 5/16 Int.
31		1	Glow Plug Relay (Supplied with Engine)
32	2-00-03060	1	Screw, #10-24 x .250 THM
33	2-00-03063	1	Screw, #10-24 x .750 THM
34	2-00-00404	20	Flat Washer, 1.000 x .625 x .031
35	2-00-02310	22	Lock Washer, Helical Spring 3/8 Med
36	2-00-00233	8	Screw, 3/8-16 x 1.000 HHC
37	2-00-00232	2	Screw, 3/8 -16 x .750 HHC
38	2-00-03829	2	Lock Washer, 3/8 Int./Ext.
39	2-00-02360	1	Nut, Hex 3/8 - 16 x .562 x .328
40	8-08-00712	1	Motor Mount Bracket
41	2-00-02682	2	Screw, 1/2-13 x 2.750 HHC
42	8-58-05259	1	Adapter Plate
43	2-00-03061	2	Screw, #10-24 x .500 THM (3300)
44	8-58-05236	1	Pump Shaft Stop Plate (3300)
45	8-33-05108	1	Pump Mounting Plate Casting (3300)
46	8-90-07328	1	Ground Cable
47	2-00-00233	12	Screw, 3/8-16 x 1.000 HHC
48	2-00-00405	2	Flat Washer, 1.062 x .531 x .093 (3300)
49	2-00-02312	2	Lock Washer, Helical Spring 1/2 Med (3300)
50	2-00-00239	2	Screw, 1/2-13 x 1.000 HHC (3300)
51	0885-070	1	Coupling (3300)
52	8-08-00711	1	Motor Mount Bracket
53	8-90-07211	1	Battery Cale (Positive)
54	8-69-00014	1	Water Temperature Sender
55	0877-048	1	PERKINS 104.19 Diesel Engine
56	2-00-05049	1	Adapter, 1/8 BSPT to 1/8 NPTF

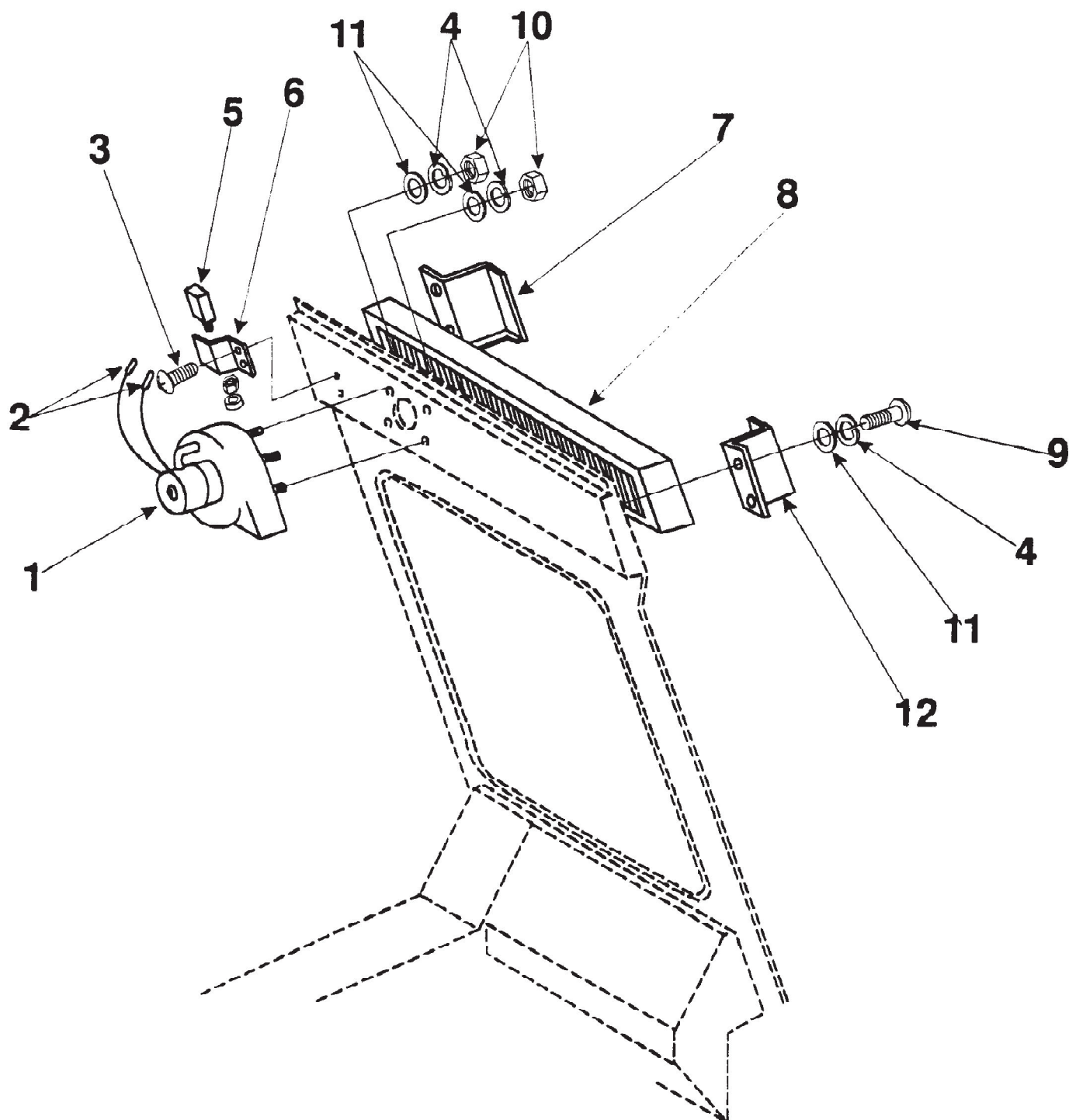
Referenznummer	Artikelnummer	Menge	Description
57	8-69-00005	1	Oil Pressure Sender
58	2-00-04982	1	Street Tee, (2) 1/8-27 F to 1/8-27 M
59	8-69-00046	1	Oil Pressure Switch
60	7-23-00016	1	Fan
61	2-00-03404	4	Hose Clamp, 1.062 x 2.000
62	8-33-02255	1	Upper Radiator Hose
63		1	Lower Radiator Hose (Part of Engine)
64	8-33-02274	1	Air Intake Hose
65	2-00-02217	1	Hose Clamp



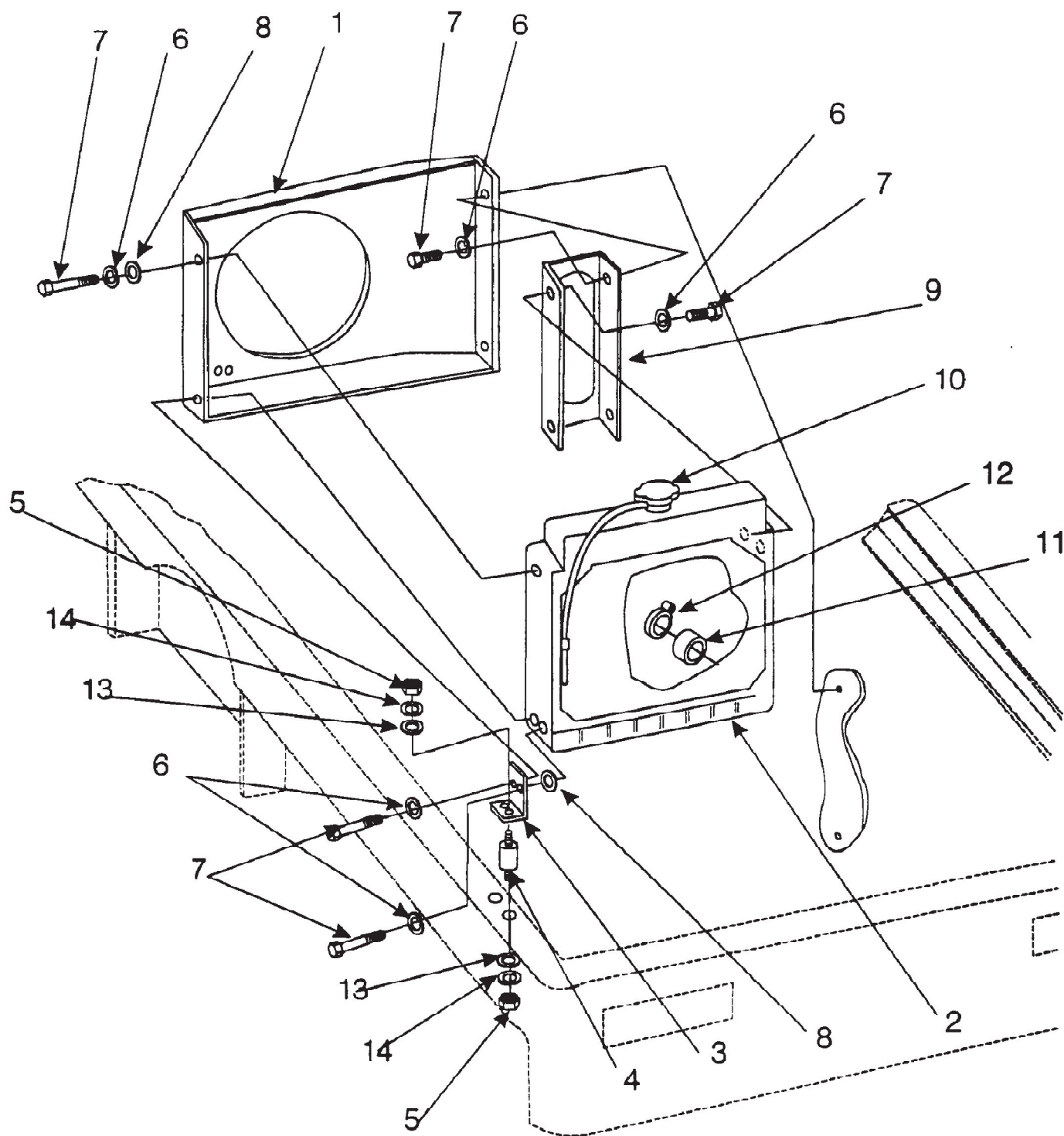
Referenznummer	Artikelnummer	Menge	Description
1	0895-096	1	Machine Harness
2	0875-008	1	Battery
3	8-09-01077	1	Snap Bushing
4	8-90-07211	Ref	Battery Cable-(Positive)
	2-00-05171	1	Protective Boot, Red
5	7-90-07262	Ref	Battery Cable-(Negative)
	2-00-05173	1	Protective Boot, Black
6	2-00-00641	1	Nut, Hex 1/4-20 Fiber Lock
7	8-32-09013	1	Horn
8	0875-108	1	Hopper Wire Assembly
9	8-09-01082	1	Bushing-Universal
10	8-09-01083	1	Bushing-Connector (Liquid Tight)
11	2-00-04378	2	Clip, .281
12	2-00-00221	3	Screw, 1/4-20 x .750 HHC
13	8-82-00049	Ref	Hopper Switch
14	2-00-00594	3	Nut, Hex 1/4-20 x .437 x .218
15	2-00-00585	1	Nut, Hex 5/16-18 x .500 x .265
16	2-00-00530	1	Lock Washer, Helical Spring 5/16 Med
17	2-00-00208	1	Screw, 5/16-18 x .750 HHC
18	2-00-04873	1	Clamp
19	0895-105	1	104.19 Engine Harness
20	0895-085	Ref	Instrument Panel Harness
21	7-13-07096	20	Clamp-Adjustable
22	2-00-04345	5	Ty-Rap
23	2-00-03063	1	Screw, #10-24 x .750 HHC
24	2-00-01246	1	Nut, Hex #10-24 Fiber Lock
25	2-00-00519	1	Lock Washer, Helical Spring #10 Med
26	2-00-00605	1	Nut, Hex #10-24
27	2-00-04937	1	Cable Tie
28	0882-027	Ref	Shaker Motor
29	2-00-00503	5	Lock Washer, 1/4 Int/Ext
30	8-09-01081	2	Snap Bushing
31	8-69-00006	Ref	Water Temperature Sender (WTS)
32	0895-092	1	Wire Assembly Harness
33	2-00-04203	1	Protective Boot, Black



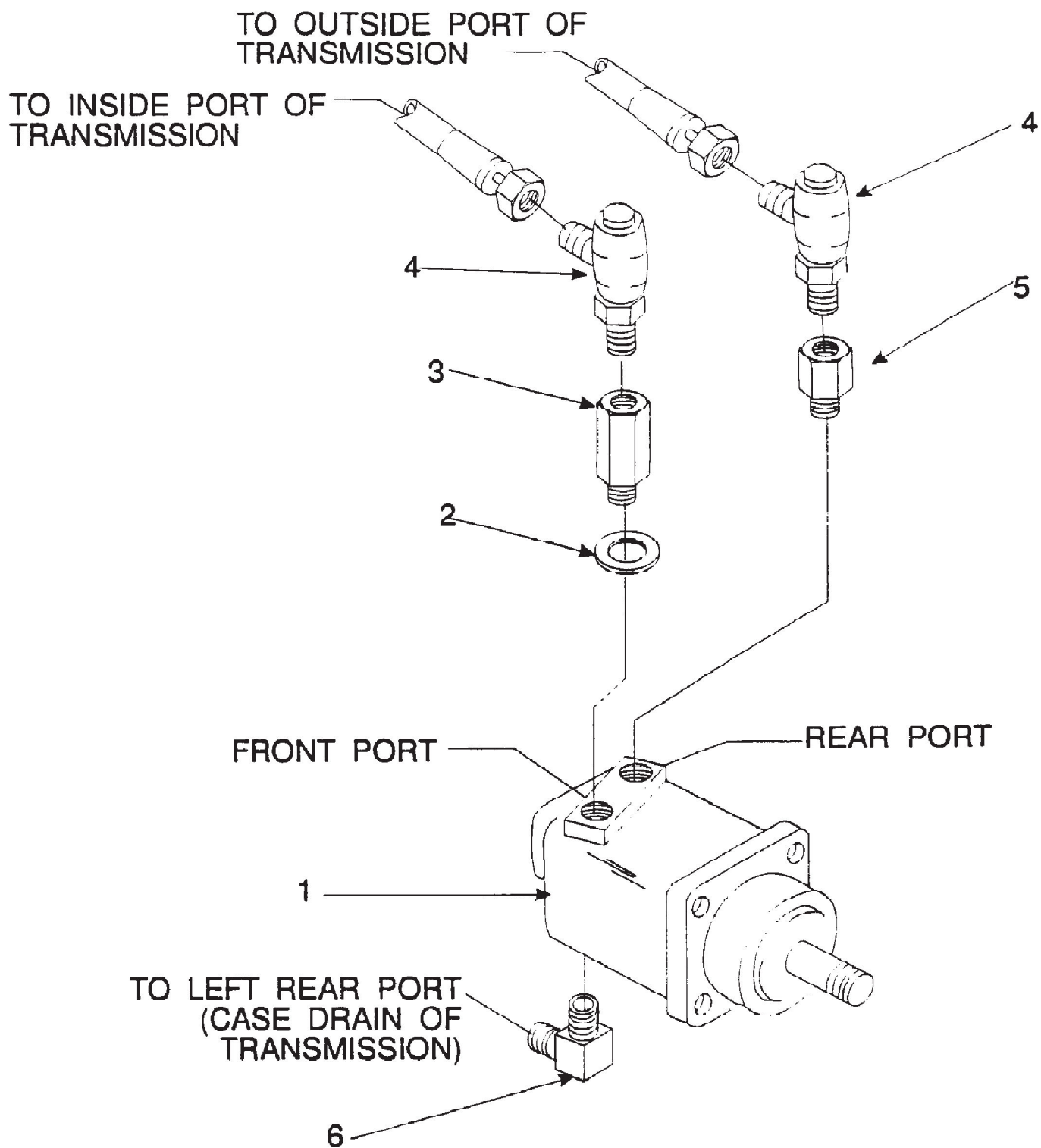
Referenznummer	Artikelnummer	Menge	Description
1	8-33-02174	4	Hose, 4 ORS 90° to Str. 16.5"
2	2-00-04927	3	ORFS Branch Tee, 7/16-20 / 9/16-18
3	0891-009	1	Pressure Relief Valve
4	8-08-00590	1	Valve Mounting Bracket
5	2-00-00518	6	Lock Washer, Helical Spring 1/4 Med
6	2-00-00594	6	Nut, Hex 1/4 - 20 x .437 x .218
7	8-33-02176	3	Hose, 4 ORS 90° to Str. 21.0"
8	0891-010	1	Flow Regulator Valve
9	8-65-00043	1	Valve Retainer
10	2-00-04917	3	ORFS Boss Reducer, 9/16-18 / 7/16-20
11	2-00-04926	2	ORFS 90° Elbow, 9/16-18
12	2-00-04980	2	ORFS Long Connector, 7/16-20 / 9/16-18
13	0860-534	1	Power Assist Steering Assembly
14	2-00-00209	2	Screw, 3/8-16 x 1.250 HHC
15	2-00-00402	2	Flat Washer, .750 x .390 x .093
16	8-81-00150	1	Steering Gear Support
17	2-00-02310	2	Lock Washer, Helical Spring 3/8 Med
18	2-00-02360	2	Nut, Hex 3/8-16 x .562 x .328
19	2-00-01879	5	Lock Washer, Helical Spring 7/16 Heavy
20	2-00-02349	3	Nut, Hex Hvy. 7/16-14 x .750 x .421
21	2-00-02311	1	Lock Washer, Helical Spring 7/16 Med
22	2-00-00415	5	Flat Washer, .937 x .468 x .068
23	8-81-00149	1	Steering Gear Assembly Support
24	2-00-00238	6	Screw, 7/16-14 x 1.250 HHC
25	2-00-00221	2	Screw, 1/4 - 20 x .750 HHC
26	2-00-00406	2	Flat Washer, .750 x .281 x .062
27	8-89-08016	1	Steering Wheel
28	2-00-02589	2	Screw, 1/4-20 x 2.000 HHC
29	2-00-01769	2	Screw, 1/4 - 20 x 1.750 HHC
30	2-00-04917	1	ORFS Boss Reducer, 9/16-18 to 7/16-20
31	2-00-04892	1	ORFS 90° Elbow, 7/16-20 / 9/16-18
32	8-52-00126	1	Kick Panel
33	7-12-02016	1	Cartridge for Pressure Relief Valve



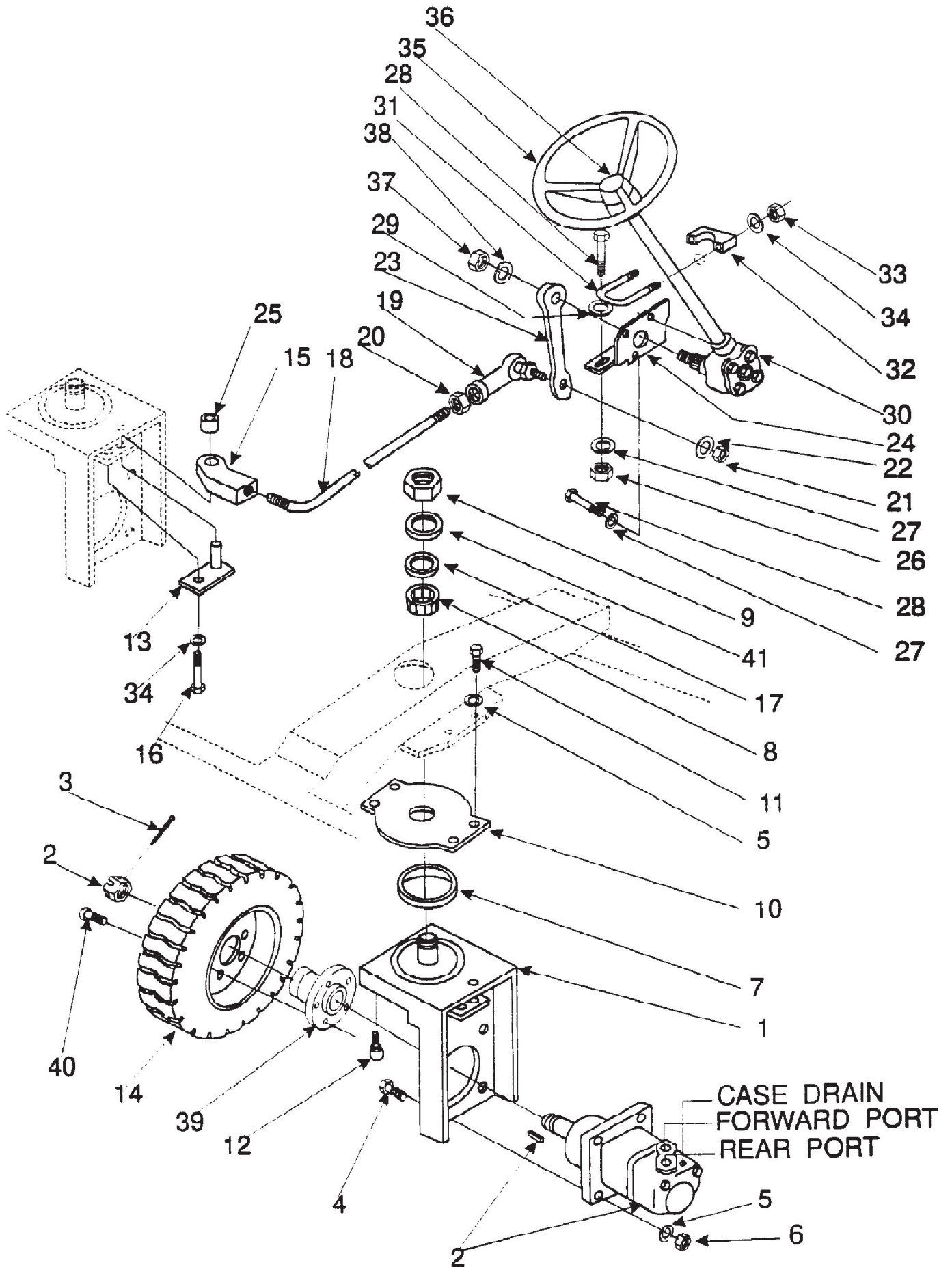
Referenznummer	Artikelnummer	Menge	Description
1		1	Pressurizer Motor
2	8-11-00015	2	Connector
3	2-00-00054	4	Screw, 1/4 - 20 x .500 RHM
4	2-00-00518	10	Lock Washer, Helical Spring 1/4 Med
5		1	Switch
6		1	Switch Bracket
7		1	Filter Bracket
8		1	Filter
9	2-00-00219	4	Screw, 1/4 - 20 x .500 HHC
10	2-00-00594	6	Nut, Hex 1/4 - 20 x .437 x .218
11	2-00-00416	4	Flat Washer, .750 x .265 x .062
12		1	Filter Bracket



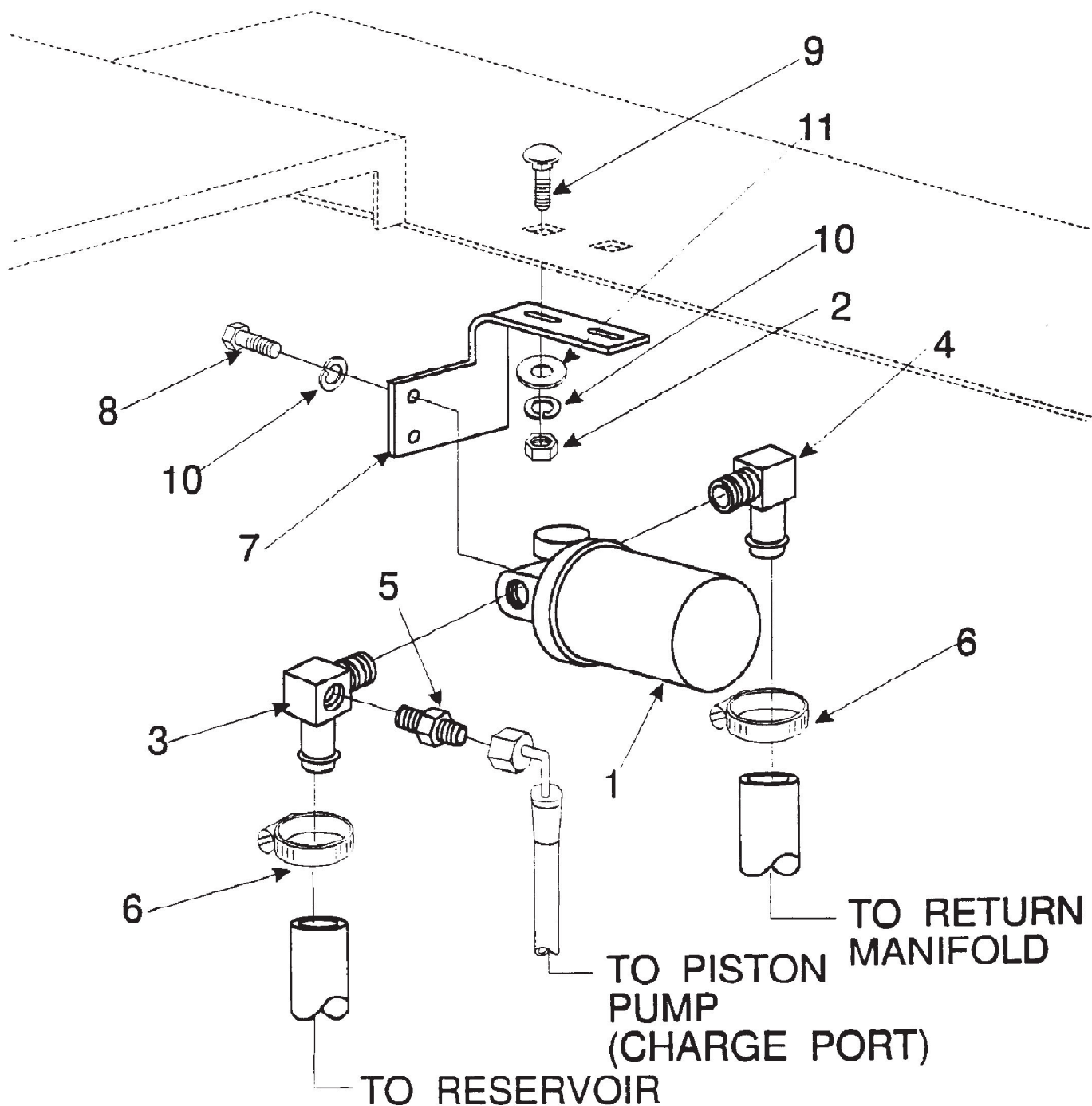
Referenznummer	Artikelnummer	Menge	Description
1	8-72-00007	1	Radiator Shroud
1	8-72-00008	1	Radiator Shroud Diesel
2	8-62-01009	1	Radiator
2	8-62-01011	1	Radiator, 4 Core Option
3	8-08-00587	1	Radiator Mounting Bracket
4	8-50-05053	2	Radiator Mounting Pad
5	2-00-00594	4	Nut, Hex 1/4 - 20 x .437 x .218
6	2-00-00518	7	Lock Washer, Helical Spring 1/4 Med
7	2-00-00220	7	Screw, 1/4 - 20 x .625 HHC
8	2-00-00447	2	Flat Washer, 1.250 x .281 x .089
9	8-81-00143	1	Radiator Support
10	8-11-00045	1	Radiator Cap
11	2-00-04913	1	Lower Outlet Plug, 1.500
12	2-00-03404	1	Hose Clamp, 1.062 - 2.000
13	2-00-03702	4	Flat Washer, .625 x .281 x .062
14	2-00-00501	4	Lock Washer, 1/4 Int.



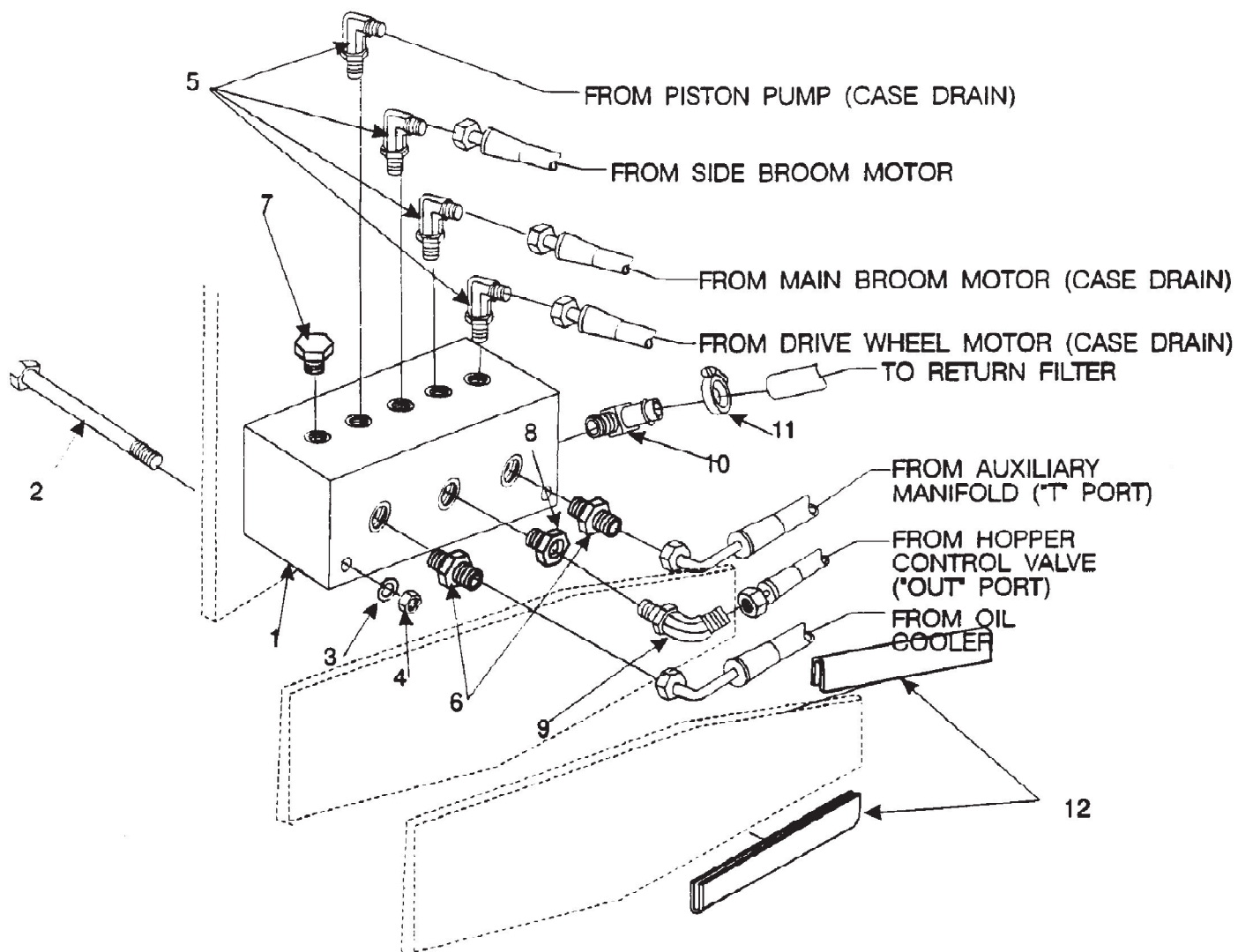
Referenznummer	Artikelnummer	Menge	Description
1	0885-080	1	Hydraulic Motor
2	2-00-04748	1	Seal
3	8-03-02037	1	Adapter
4	2-00-04900	2	ORFS Swivel, 13/16-16 to 3/4-16
5	8-03-04990	1	Pipe Reducer Coupling
6	2-00-04892	1	90° Connector, #4 SAE to #4 ORS



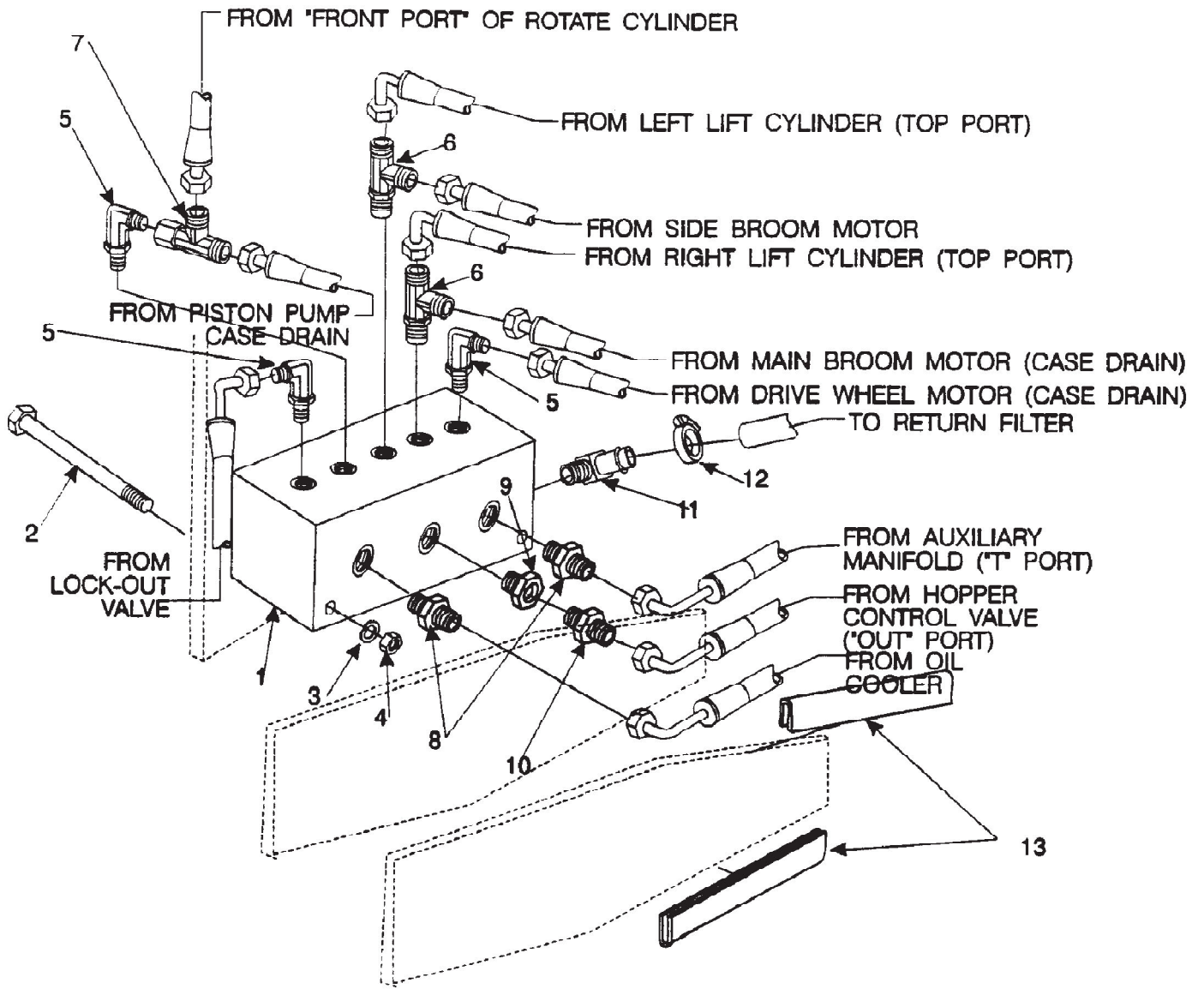
Referenznummer	Artikelnummer	Menge	Description
1	8-92-00037	1	Rear Wheel Yoke
2	0885-080	Ref	Hydraulic Motor
	0880-464	1	Seal Kit for 0885-080 Hydraulic Motor
	2-00-04489	1	Key, .437 x 1.250 SQ
	8-23-03054	1	Nut, Hex Slotted 1 1/4 - 12
3	2-00-00776	1	Cotter Pin, .125 x 1.500
4	2-00-00242	4	Screw, 1/2 - 13 x 2.250 HHC
5	2-00-02312	8	Lock Washer, Helical Spring 1/2 Med
6	2-00-00596	4	Nut, Hex 1/2 - 13 x .750 x .437
7	2-00-04455	1	Thrust Bearing, 7.000 x 5.812
8	2-00-02079	1	Roller Bearing, 2.328 x 1.250 x .703
9	2-00-04454	1	Nut, Hex Fiber Insert 1 1/4 - 12
10	8-58-05226	1	Rear Wheel Pivot Pin
11	2-00-00239	4	Screw, 1/2 - 13 x 1.000 HHC
12	2-00-02557	1	Lubrication Fitting, 90° 1/8 NPT
13	8-55-08106	1	Rear Wheel Tab Pin
14	8-89-08057	1	Rear Pneumatic Wheel - 18" Dia.
15	8-66-00147	1	Rear Wheel Steering Rod End
16	2-00-00221	1	Screw, 1/4 - 20 x .750 HHC
17	2-00-04621	1	Roller Bearing, Outrace (Cup Only)
18	8-66-00148	1	Steering Arm Tie Rod
19	8-66-00149	1	Rod End (MPB # VFS-126)
20	2-00-00618	1	Nut, Hex Jam 3/4 - 16 x 1.125 x .421
21	2-00-00617	1	Nut, Hex 3/4 - 16 x 1.125 x .640
22	2-00-00522	1	Lock Washer, Helical Spring 3/4 Light
23	8-03-04239	1	Steering Arm
24	8-08-00577	1	Bracket
25	8-09-01084	1	Bushing
26	2-00-02349	2	Nut, Hex Hy. 7/16 - 14 x .750 x .421
27	2-00-02311	2	Lock Washer, Helical Spring 7/16 Med
28	2-00-00238	5	Screw, 7/16 - 14 x 1.250 HHC
29	2-00-00415	3	Flat Washer, .937 x .468 x .068
30	0801-550	1	Steering Shaft
31	8-13-07085	1	U - Bolt
32	8-08-00578	1	Bracket
33	2-00-00594	2	Nut, Hex 1/4 - 20 x .437 x .218
34	2-00-00518	3	Lock Washer, Helical Spring 1/4 Med
35	8-89-08016	1	Steering Wheel
36	8-11-00022	1	Steering Wheel Cap
37	2-00-00590	1	Nut, Hex 5/8 - 18 x .937 x .546
38	2-00-02313	1	Lock Washer, Helical Spring 5/8 Med
39	8-80-09083	1	Drive Wheel Hub
40	8-80-05035	5	Tapered Head Stud
41	8-75-01136	1	Thrust Washer



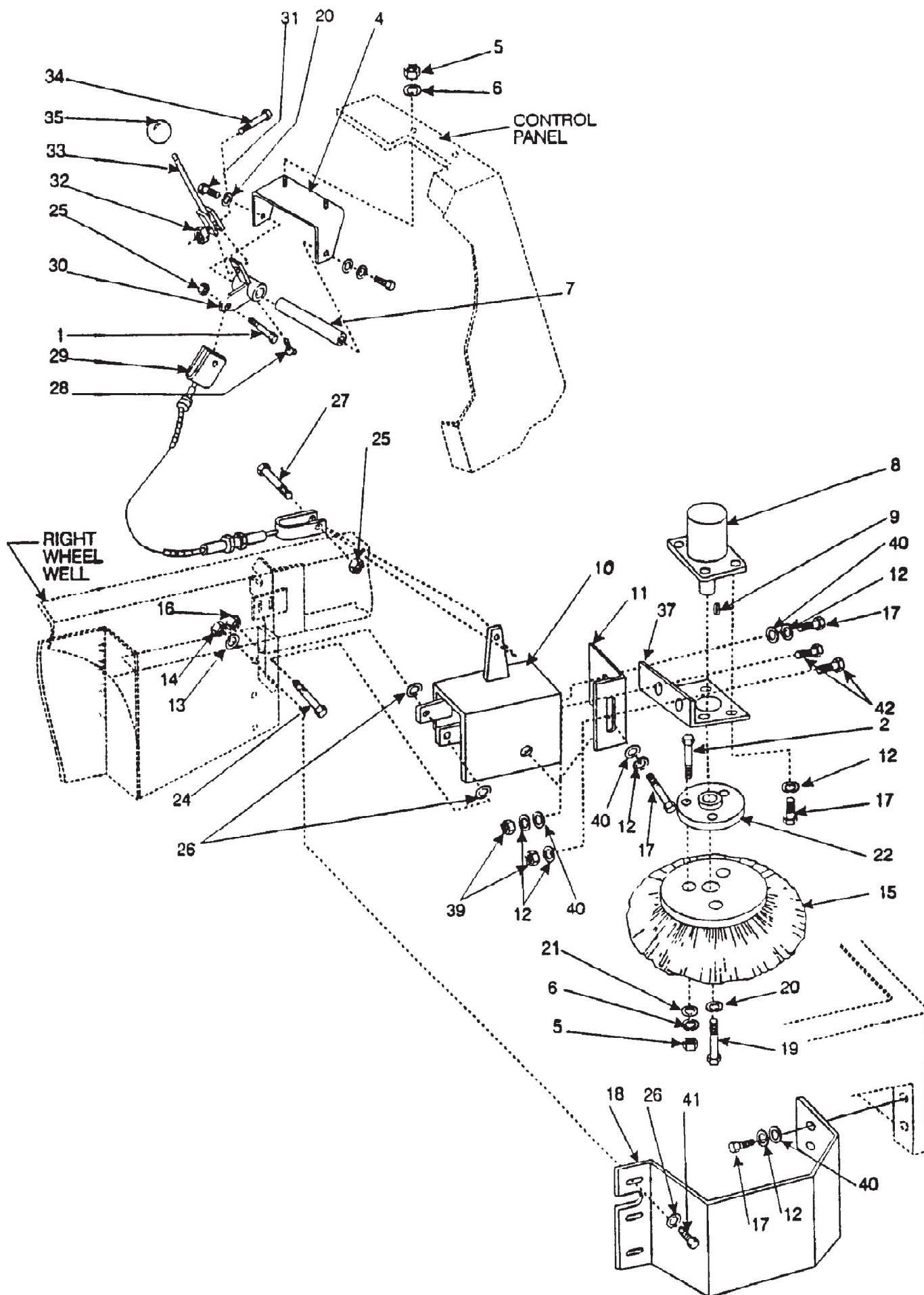
Referenznummer	Artikelnummer	Menge	Description
1	8-24-04133	1	Return Filter
2	2-00-00594	2	Nut, Hex 1/4 - 20 x .437 x .218
3	8-56-05077	1	Fitting, Special 90° Elbow
4	2-00-05133	1	Fitting, 90° Elbow 1" NPT
5	2-00-04997	1	Fitting, Strt #4 ORS - 1/4 NPT
6	2-00-02220	3	Hose Clamp, .812 - 1.500
7	8-08-00749	1	Filter Mounting Bracket
8	2-00-00205	4	Screw, 1/4 - 20 x 1.000 HHC
9	2-00-02196	4	Carriage Bolt, 1/4 - 20 x 1.000
10	2-00-00518	4	Lock Washer, Helical Spring 1/4 Med
11	2-00-00407	2	Flat Washer, 1/4



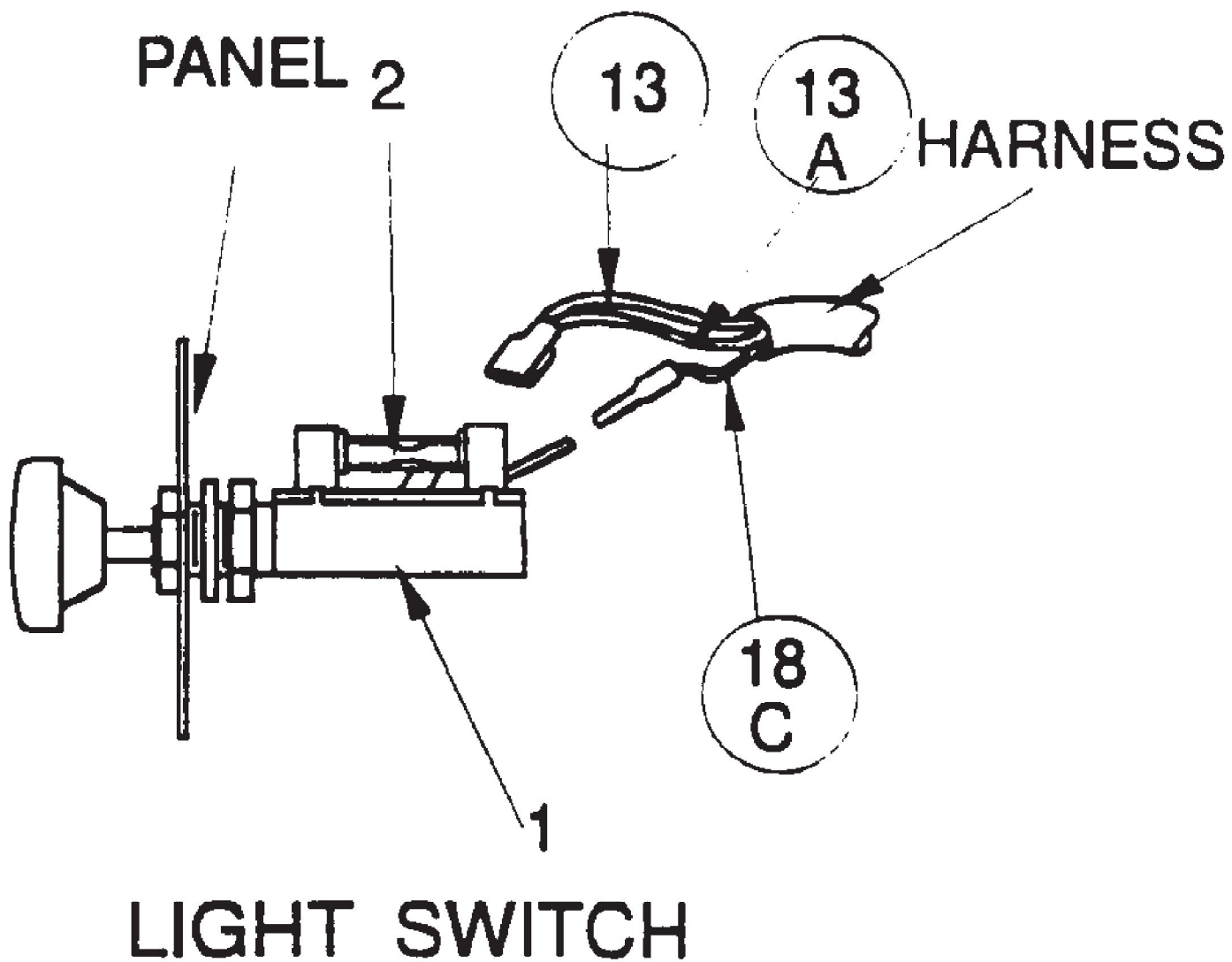
Referenznummer	Artikelnummer	Menge	Description
1	7-48-00019	1	Return Manifold
2	2-00-04576	2	Screw, 1/4 - 20 x 3.50
3	2-00-00518	2	Lock Washer, Helical Spring 1/4 Med
4	2-00-00594	2	Nut, Hex 1/4 - 20 x .437 x .218
5	2-00-04892	4	ORFS 90° Elbow, 7/16-20 to 9/16-18
6	2-00-04970	2	Straight Fitting
7	2-00-05177	1	Plug, 7/16-20 SAE
8	2-00-04932	1	Reducer Bushing
9	2-00-04926	1	90° Elbow
10	2-00-05133	1	90° Elbow
11	2-00-02220	1	Clamp
12	7-21-04031	2	Edging



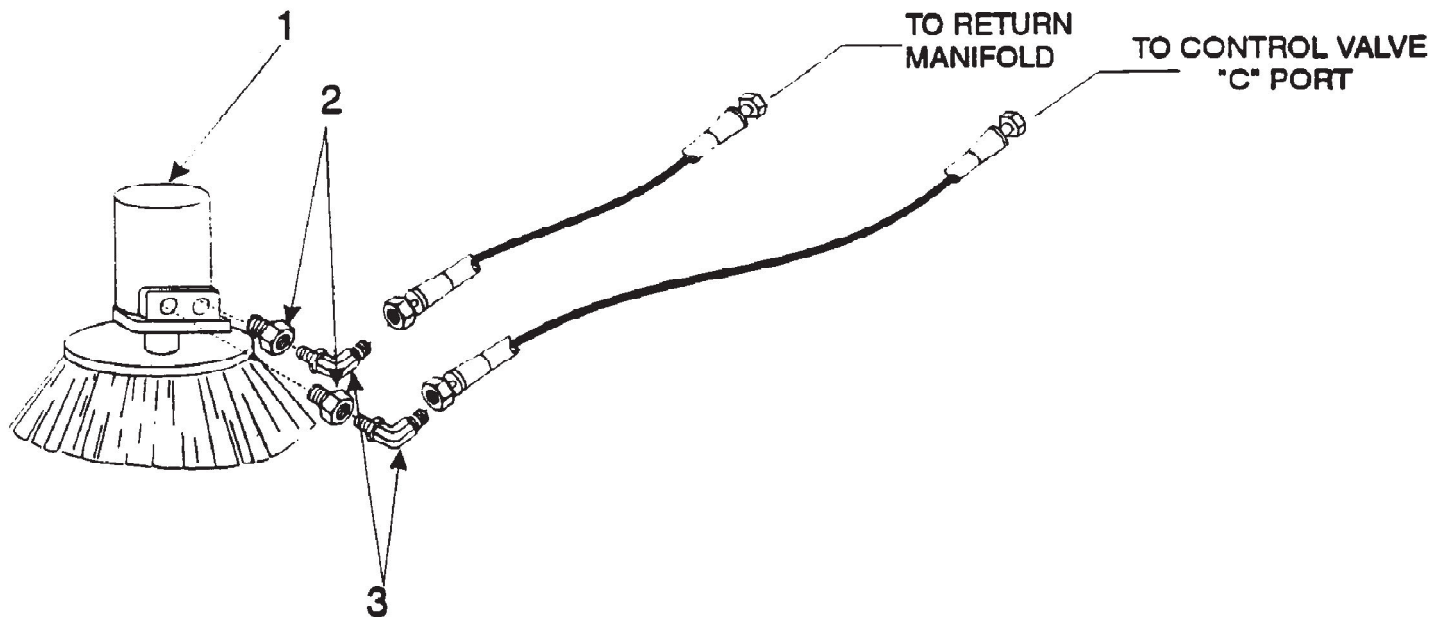
Referenznummer	Artikelnummer	Menge	Description
1	7-48-00019	1	Return Manifold
2	2-00-04576	2	Screw, 1/4 - 20 x 3.50
3	2-00-00518	2	Lock Washer, Helical Spring 1/4 Med
4	2-00-00594	2	Nut, Hex 1/4 - 20 x .437 x .218
5	2-00-04892	3	ORFS 90° Elbow, 7/16-20 to 9/16-18
6	2-00-04927	2	Run Tee
7	2-00-05162	1	Swivel Tee
8	2-00-04970	2	Straight Fitting
9	2-00-04932	1	Reducer Bushing
10	2-00-04918	1	Straight Fitting
11	2-00-05133	1	90° Elbow
12	2-00-02220	1	Clamp
13	7-21-04031	2	Edging



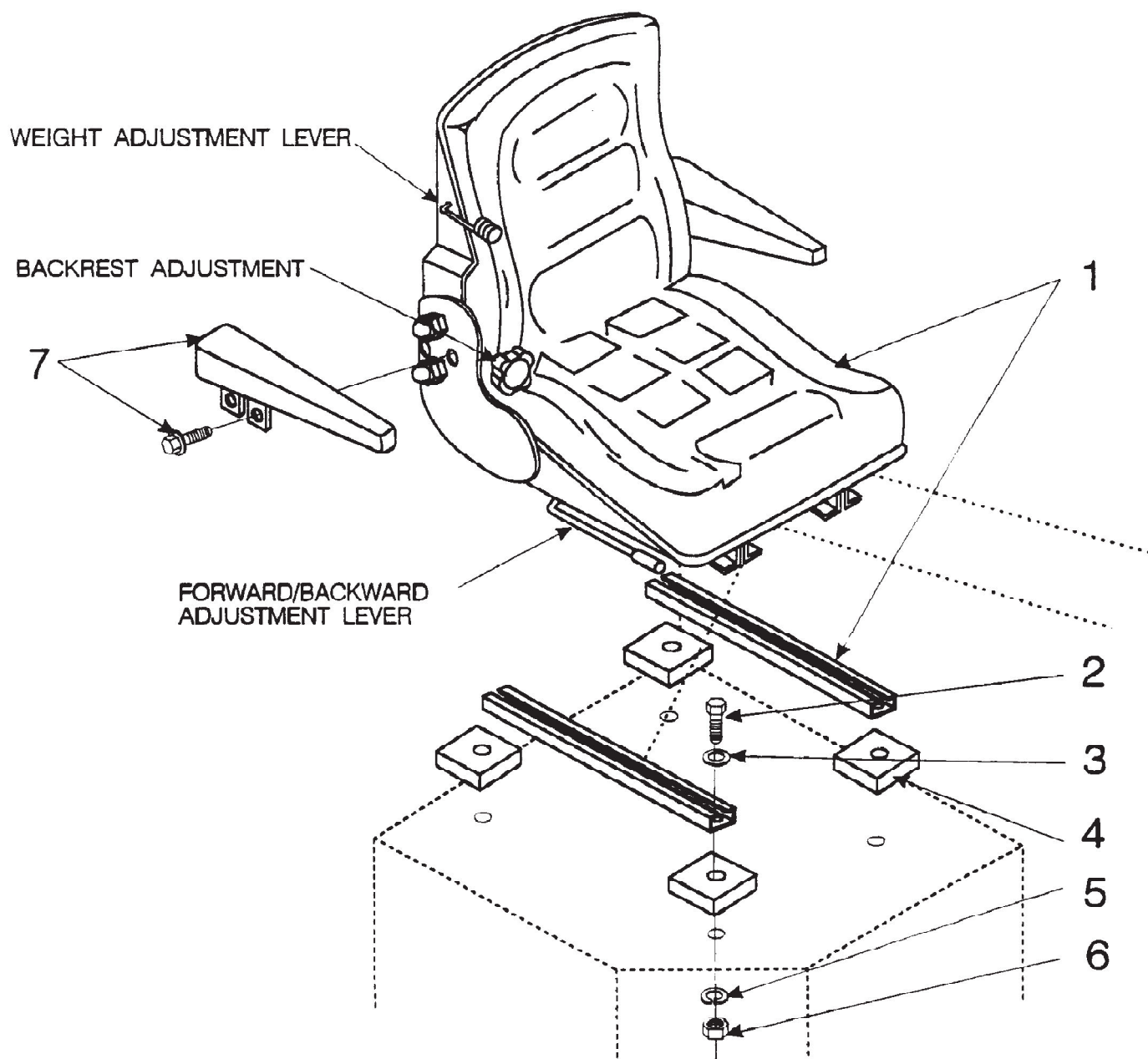
Referenznummer	Artikelnummer	Menge	Description
1	8-08-00590	1	Valve Mounting Bracket
2	2-00-00211	3	Screw, 5/16 - 18 x 1.750 HHC
3	2-00-00208	2	Screw, 5/16 - 18 x .750 HHS
4	8-08-00646	1	Side Broom Pivot Bracket
5	2-00-00585	5	Nut, Hex 5/16 - 18 x .500 x .265
6	2-00-00530	5	Lock Washer, Helical Spring 5/16 Med
7	8-70-05285	1	Shaft - Broom Pivot R.H.
8	0882-023	1	Side Broom Motor
9	2-00-00722	1	Woodruff Key, .250 x 1.000 (#15)
10	8-03-04291	1	Side Broom Arm (R.H.)
11	2-00-05187	2	Carriage Bolt, 3/8 - 16 x 1.250
12	2-00-02310	13	Lock Washer, Helical Spring 3/8 Med
13	2-00-02312	3	Lock Washer, 1/2
14	2-00-00596	3	Nut, Hex 1/2-13
15	8-08-03212	1	Side Broom, Polypropylene
16	2-00-04936	1	Nut, Hex Fiber Insert 1/2 - 13
17	2-00-00233	6	Screw, 3/8 - 16 x 1.000 HHC
18	8-30-05151	1	Side Broom Guard
19	2-00-01490	1	Screw, 1/4 - 20 x .875 HSHC (Nylok)
20	2-00-00518	3	Lock Washer, Helical Spring 1/4 Med
21	2-00-00409	3	Flat Washer, .687 x .343 x .062
22	8-25-06008	1	Side Broom Range
23	2-00-00199	2	Carriage Bolt, 1/4-20 x 1.750
24	2-00-04914	1	Screw, 1/2 - 13 x 4.250 HHC
25	2-00-00644	2	Nut, Hex Fiber Insert 5/16 - 18
26	2-00-04159	2	Flat Washer, 1.375 x .562 x .109
27	2-00-02708	2	Screw, 5/16 - 18 x 1.000 HHC
28	2-00-02558	1	Lubrication Fitting, 45 1/8 NPT
29	8-10-00028	1	Cable, R.H. Side Broom
30	8-57-05021	1	Pivot Block (Side Broom)
31	2-00-00221	2	Screw, 1/4 - 20 x .750 HHC
32	2-95-04182	1	Nut, Hex Fiber Insert 3/8 - 16
33	8-16-00034	1	Lever
34	2-00-00234	1	Screw, 3/8 - 16 x 1.500 HHC
35	8-39-00003	1	Knob
36	2-00-00641	2	Nut, Hex Fiber Insert 1/4-20
37	8-08-00747	1	Motor Mounting Bracket
38	2-00-00584	2	Nut, Hex 3/8 - 24 x .562 x .328
39	2-00-04801	3	Flat Washer, 3/8
40	2-00-00240	2	Screw, 1/2 - 13 x 1.250 HHC
41			UNKNOWN
42			UNKNOWN



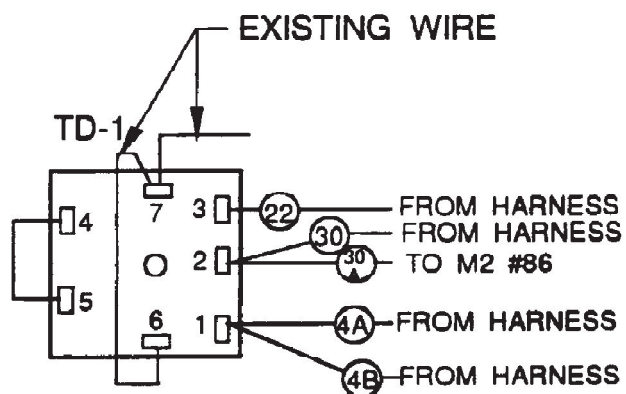
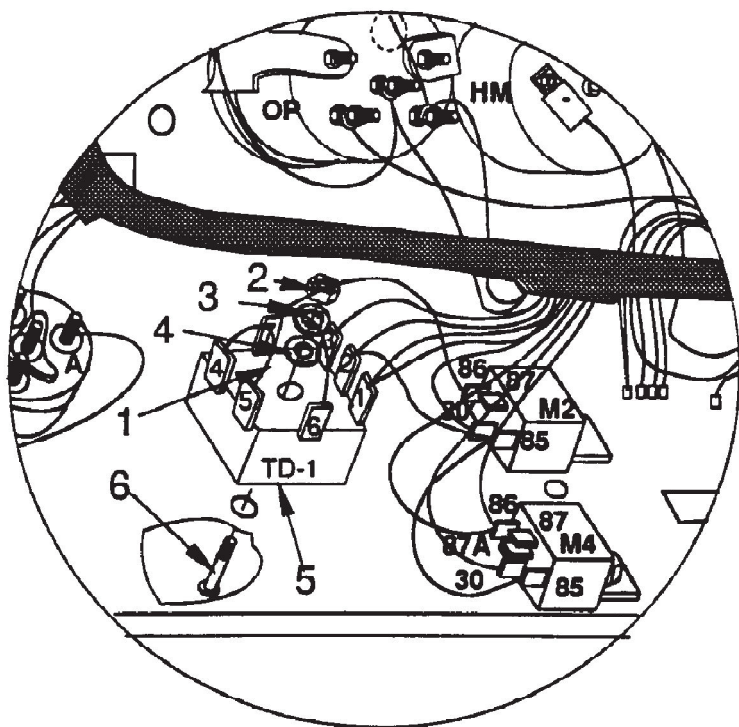
Referenznummer	Artikelnummer	Menge	Description
1	8-82-00027	1	Light Switch
2	8-28-05012	1	Fuse - 20 Amp



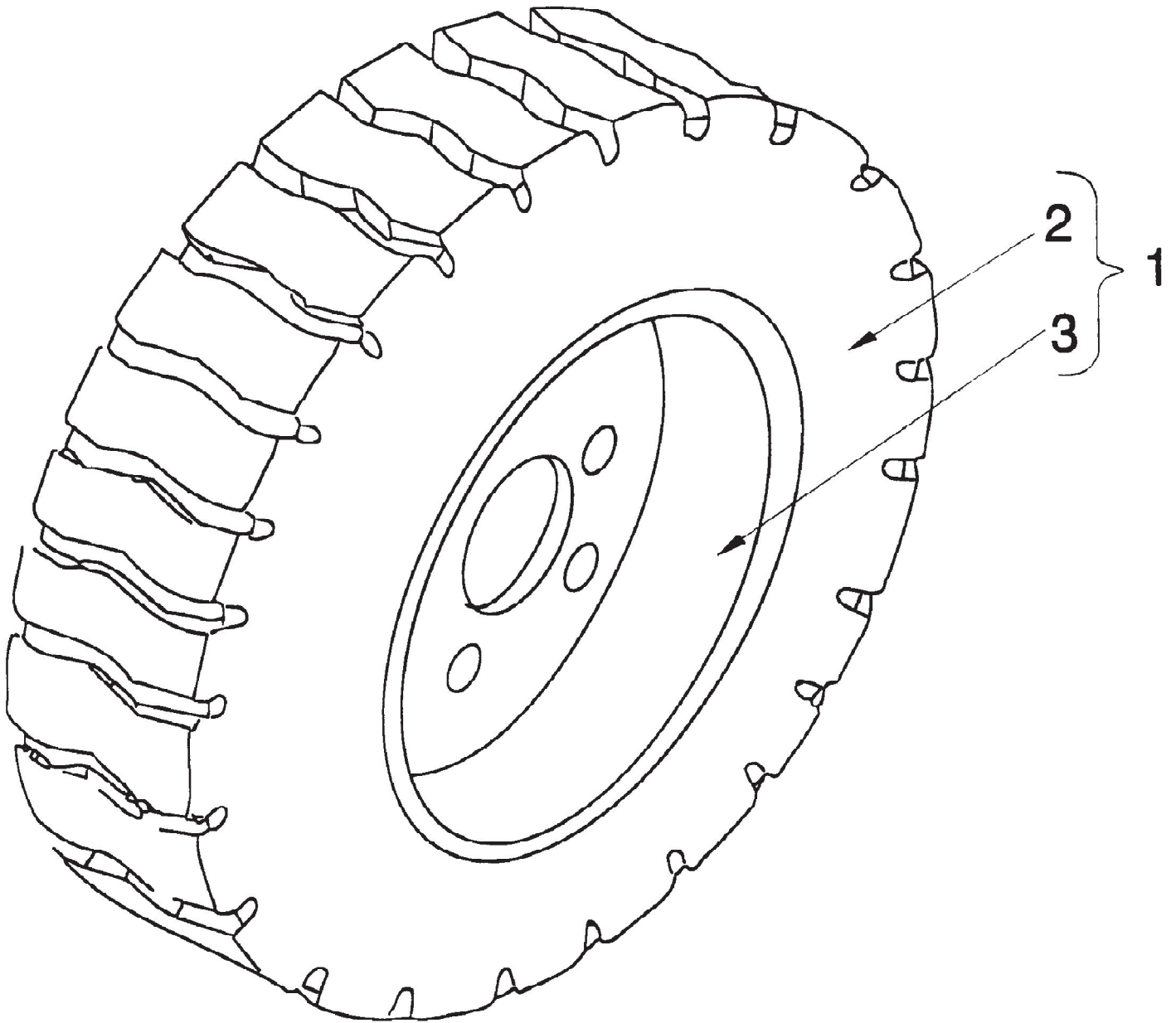
Referenznummer	Artikelnummer	Menge	Description
1	0882-047	1	Hydraulic Motor
	0880-448	1	Motor Seal Kit Not Shown
2	2-00-04915	2	ORFS Boss Reducer, 7/8-14 to 9/16-18
3	2-00-04926	4	ORFS 90° Elbow, 9/16-18



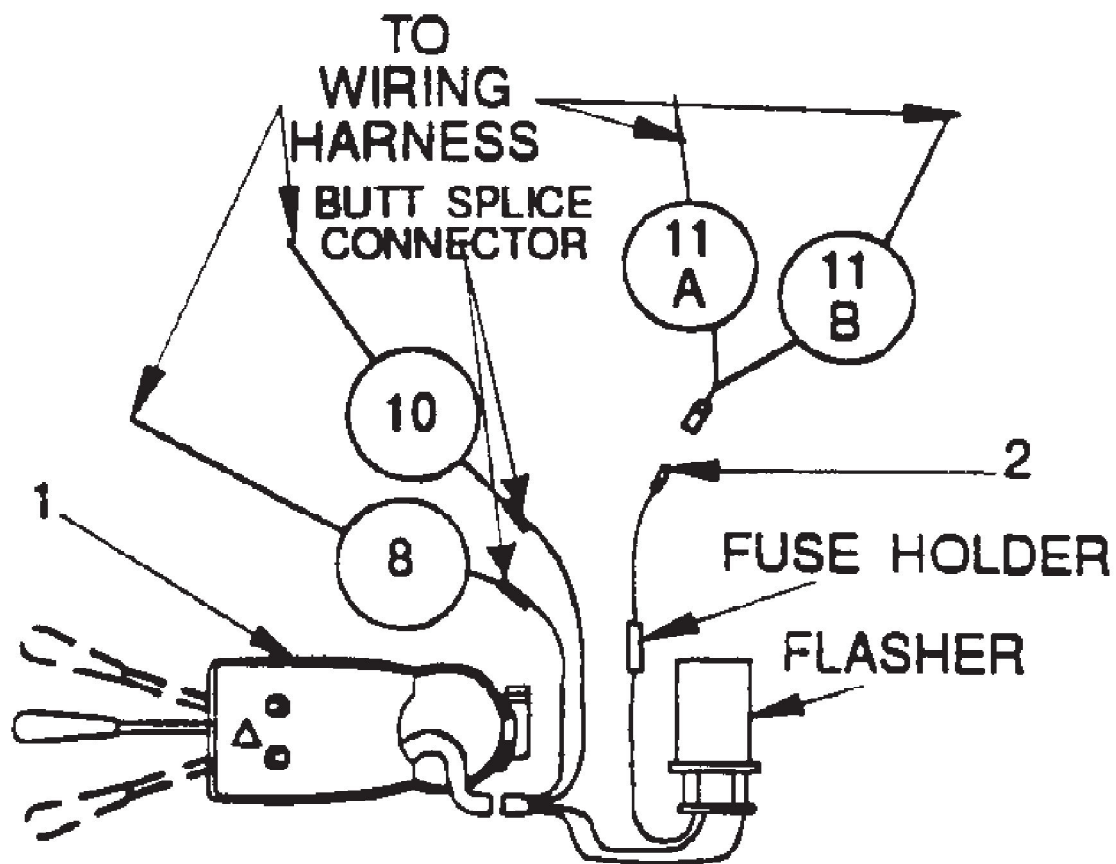
Referenznummer	Artikelnummer	Menge	Description
	0880-474	1	Suspension Seat Option (Includes items 1 thru 7)
1	8-69-00015	1	Seat without armrests
2	2-00-00225	4	Screw, 5/16-18 x 1.500 HHC
3	2-00-00409	4	Flat Washer, .687 x .343 x .062
4	8-71-00016	4	Shim Block
5	2-00-02322	4	Lock Washer, Helical Spring 5/16 Med
6	2-00-00585	4	Nut, 5/16-18 x .500 x .265
7	8-09-04272	1	Armrest Kit (Includes both Armrests)



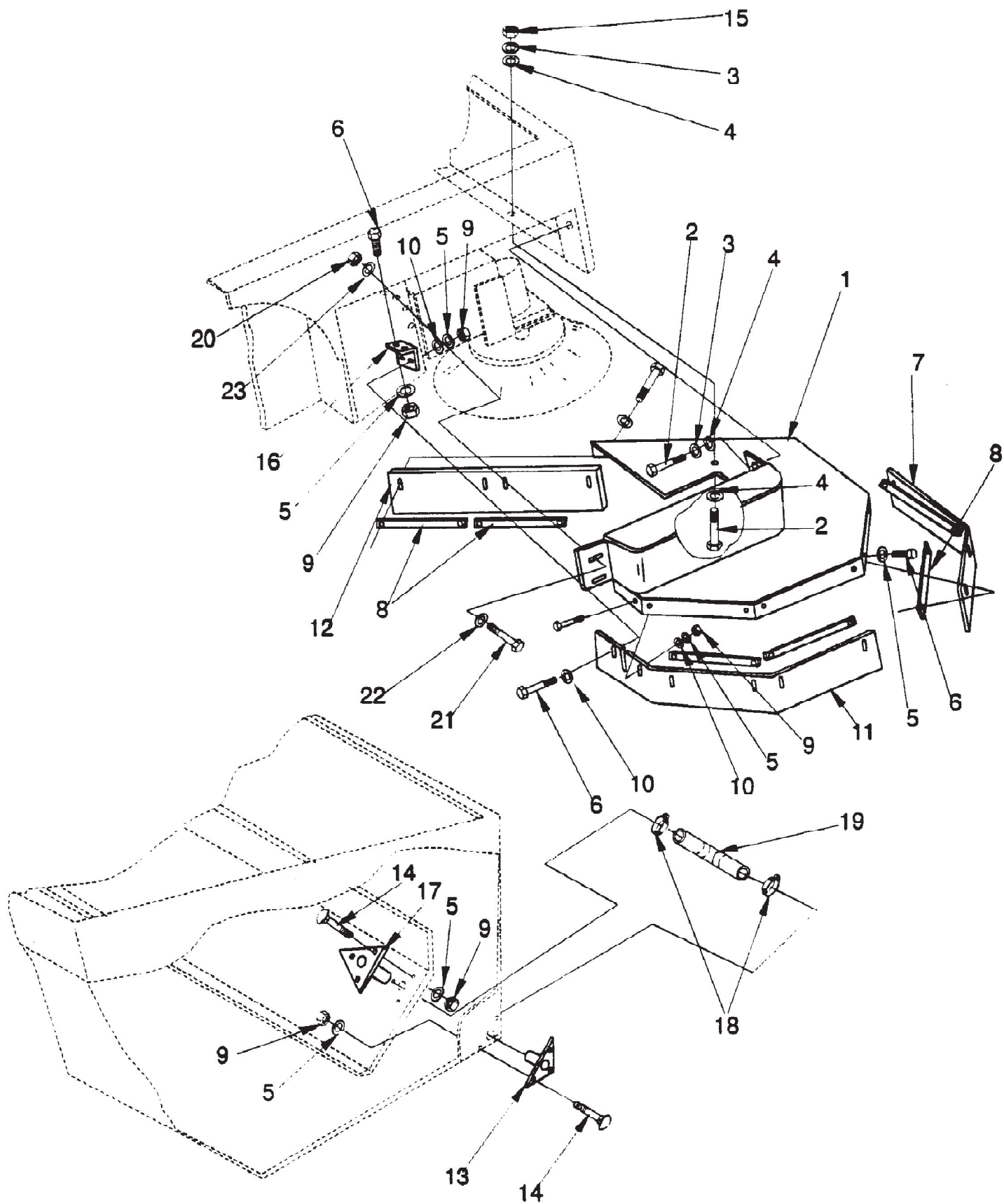
Referenznummer	Artikelnummer	Menge	Description
1	8-90-07356	1	Wire, TD-1 #4 to TD-1 #5
2	2-00-00605	1	Nut, Hex MS #10 - 24 x .375 x .125
3	2-00-00512	1	Lock Washer, #10 Int.
4	2-00-00466	1	Flat Washer, .625 x .203 x .031
5	8-64-05010	1	Timer
6	2-00-04897	1	Screw, #10 - 24 x 1.250 THM



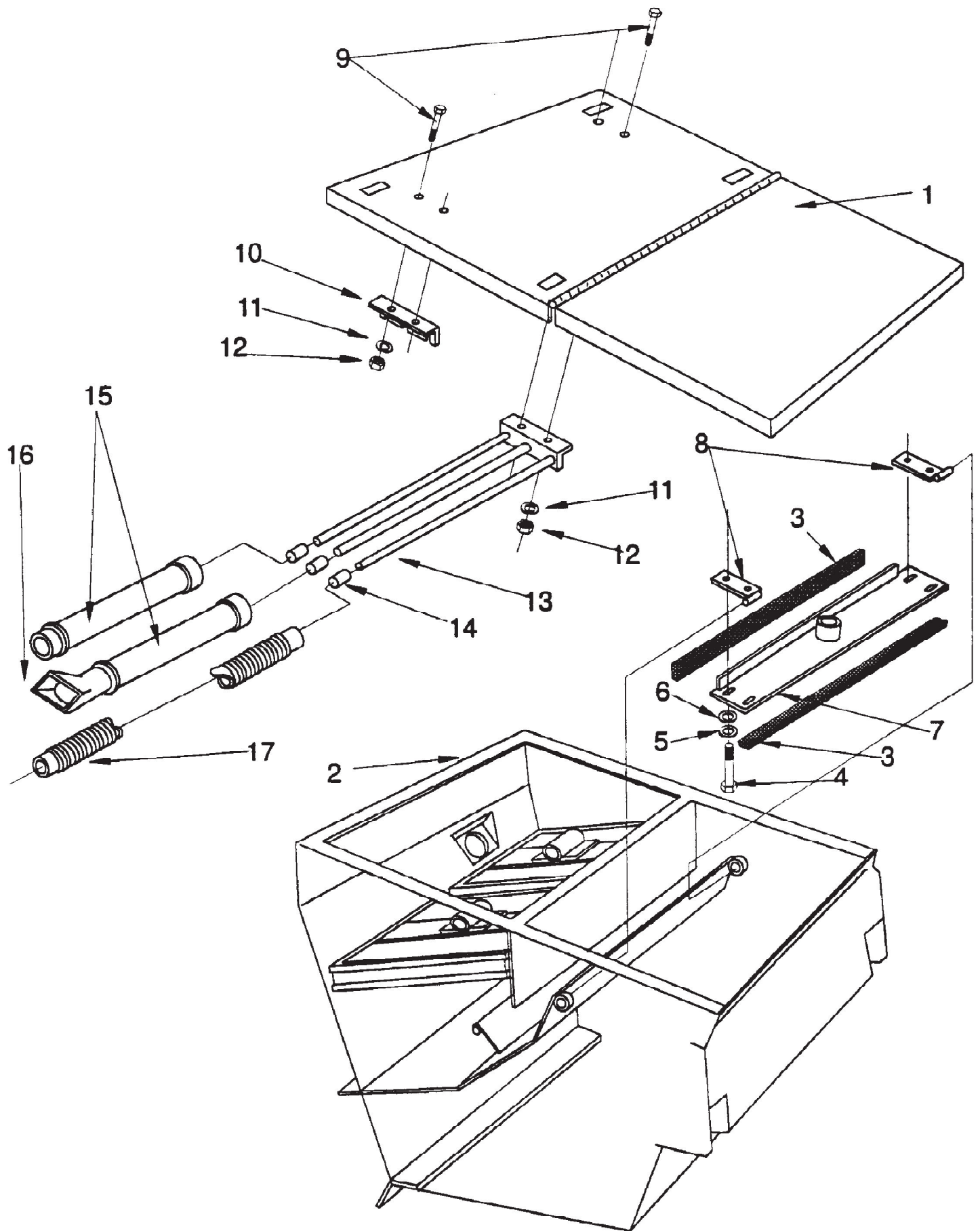
Referenznummer	Artikelnummer	Menge	Description
	0880-527		Solid Cushion Rear Wheel
1	8-89-08058	1	Solid Cushion Rear Wheel Assembly 17.9"
2	8-85-06018		Solid Cushion Tire, 5.00 x 8
3	8-70-00080		Split Rim Assembly, 8"



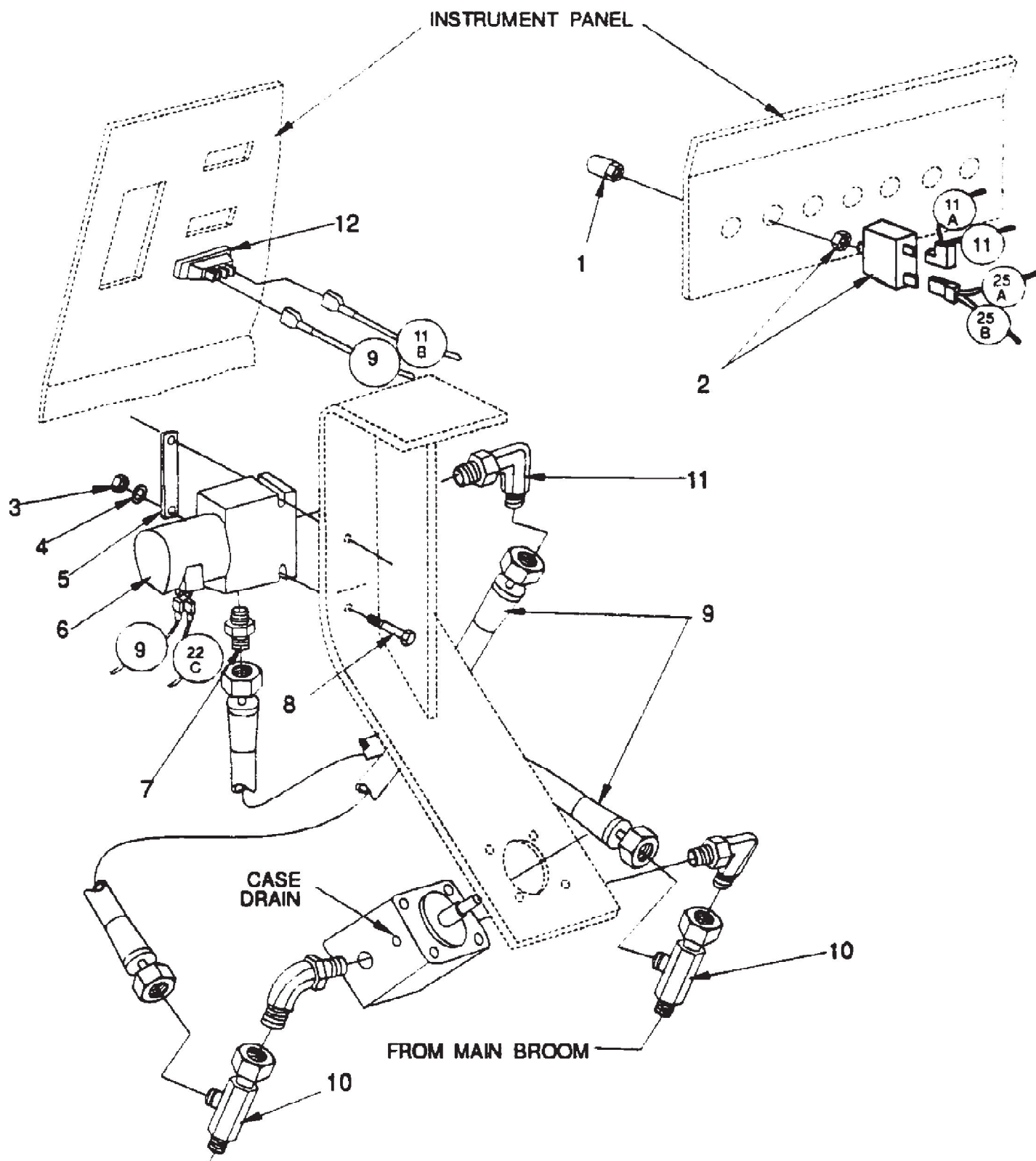
Referenznummer	Artikelnummer	Menge	Description
1	8-82-00025	1	Turn Signal Switch
2	2-00-04423 0880-355	1	Terminal LIGHTS- H T I BRAKE TURNSIGNAL Includes: Headlights, Taillights, Instrument Light and Brake Light and Turn Signals



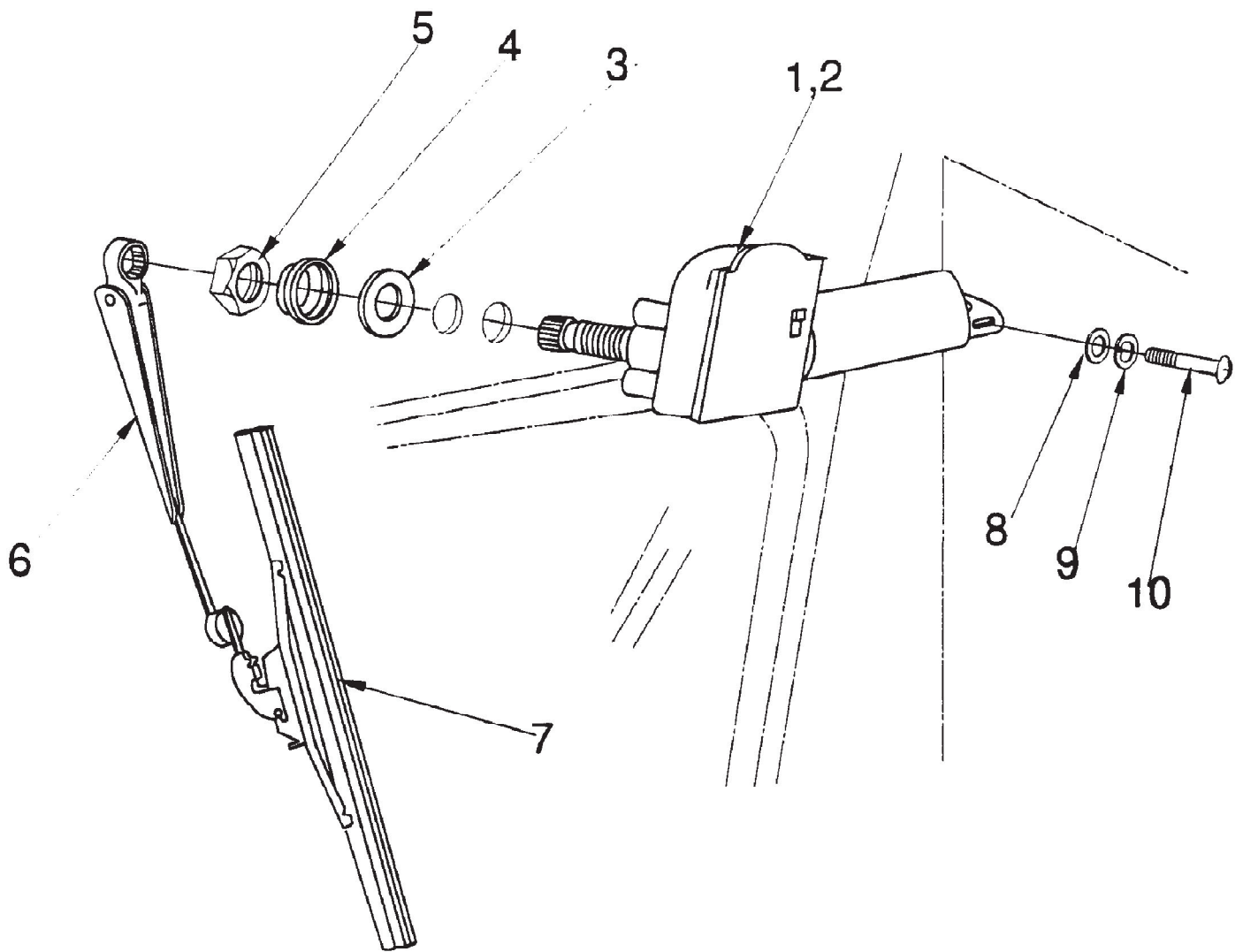
Referenznummer	Artikelnummer	Menge	Description
	0880-542		Right Hand Vacuum Side Broom
	0880-543		Left Hand Vacuum Side Broom
1	8-30-05154	1	Right Hand Guard
1	8-30-05155	1	Left Hand Guard
2	2-00-00209	3	Screw, 3/8 - 16 x 1.250 HHC
3	2-00-02310	3	Lock Washer, Helical Spring 3/8 Med
4	2-00-00402	4	Flat Washer, .750 x .390 x .093
5	2-00-00518	22	Lock Washer, Helical Spring 1/4 Med
6	2-00-00221	16	Screw, 1/4 - 20 x .750 HHC
7	8-25-08164	1	Flap
8	8-08-00662	6	Strap
9	2-00-00594	10	Nut, Hex 1/4 - 20 x .437 x .218
10	2-00-00407	7	Flat Washer, 1/4
11	8-25-08165	1	Flap
12	8-25-08163	1	Flap
13	8-03-02041	1	Tube Adapter
14	2-00-03575	6	Carriage Bolt, 1/4 - 20 x .750
15	2-00-02360	1	Nut, Hex 3/8-16
16	8-08-00732	1	Side Broom Flap Bracket
17	8-03-02042	1	Tube Adapter
18	2-00-02217	2	Clamp
19	7-33-02234	1	Hose
20	2-00-00596	2	Nut, Hex 1/2-13
21	2-00-00241	2	Screw, 1/2-13 x 1.750 HHC
22	2-00-04159	2	Flat Washer, 1.38 x .56 x .109
23	2-00-02312	2	Lock Washer, Helical Spring 1/2



Referenznummer	Artikelnummer	Menge	Description
1	8-16-07304	Ref	Hopper Lid
2	8-32-06082	Ref	Hopper Weldment
3	8-29-00181	2	Gasket
4	2-00-00221	4	Screw, 1/4 - 20 x .750 HHC
5	2-00-00518	4	Lock Washer, Helical Spring 1/4 Med
6	2-00-03702	4	Flat Washer, .625 x .281 x .062
7	8-58-05238	1	Adapter Plate
8	8-57-05019	2	Pivot
9	2-00-01481	4	Screw, 5/16 - 18 x 1.000 RHM
10	8-08-00622	1	Latch Bracket
11	2-00-00530	4	Lock Washer, Helical Spring 5/16 Med
12	2-00-00585	4	Nut, Hex 5/16 - 18 x .500 x .265
13	8-08-00623	1	Hose Storage Bracket
14	8-11-00034	3	Cap
15	8-89-00002	2	Wand Section
16	8-86-08010	1	Floor Tool
17	8-33-02121	1	Vacuum Hose



Referenznummer	Artikelnummer	Menge	Description
1	8-11-00044	1	Circuit Breaker Boot
2	8-64-00008	1	Circuit Breaker (15A)
3	2-00-00594	2	Nut, Hex 1/4 - 20 x .437 x .218
4	2-00-00518	2	Lock Washer, Helical Spring 1/4 Med
5	8-08-00590	1	Bracket
6	8-88-00042	1	Valve, Solenoid N.C.
	7-12-02018	1	Replacement Cartridge for 8-88-00042
7	2-00-04970	1	ORFS Connector, 3/4-16 / 13/16-16
8	2-00-02589	2	Screw, 1/4 - 20 x 2.000 HHC
9	8-33-02193	2	Hose, Hydraulic ORS 8/str. ends - 18"
10	2-00-04928	2	ORFS Run Tee, 13/16 - 16
11	2-00-04885	1	ORFS 90° Elbow, 3/4-16 / 13/16-16
12	8-82-00044	1	Switch SPST



Referenznummer	Artikelnummer	Menge	Description
1	0880-411	1	Windshield Wiper Assembly
2		1	Wiper Motor
3		1	Leather Seal
4		1	Spacer
5		1	Nut
6		1	Adjustable Wiper Arm
7		1	Wiper Blade, 14"
8	2-00-00426	1	Flat Washer, .500 x .218 x .062
9	2-00-00519	1	Lock Washer, Helical Spring #10 Med
10	2-00-00049	1	Screw, #10 - 24 x .500 RHM