

# C2K HS VERSION

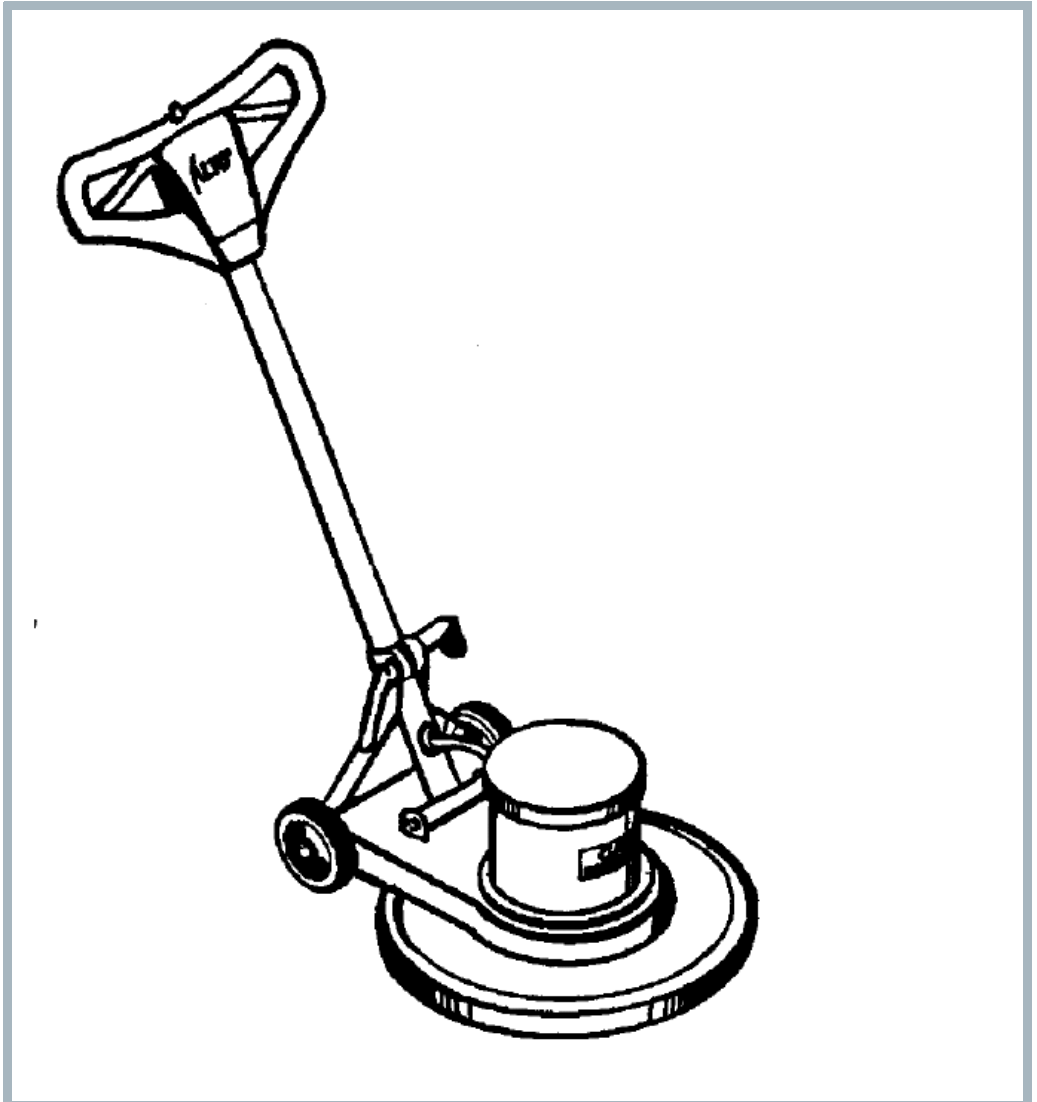
---

Model:

C2K 1600 HS

C2K 1800 HS

C2K 2000 HS



Part List US-English

21-01-2013

**Nilfisk**  
**ALTO**  
works for you

[www.nilfisk-alto.com](http://www.nilfisk-alto.com)

Ersatzteile auf [www.gluesing.net](http://www.gluesing.net)

# Table of Contents

C2K HS VERSION

<b>Cabinet (a)</b>	<b>3</b>
<b>Cabinet (b)</b>	<b>6</b>
<b>Motor 230V, 50Hz</b>	<b>9</b>
<b>Motor. Electrical schematic</b>	<b>11</b>
<b>Gearbox</b>	<b>13</b>
<b>Motor</b>	<b>15</b>
<b>Motor. Electrical schematic</b>	<b>17</b>
<b>Gearbox</b>	<b>19</b>
<b>Motor 230V</b>	<b>21</b>
<b>Gearbox</b>	<b>23</b>
<b>Wiring diagram 230V - 50Hz</b>	<b>25</b>
<b>Wiring diagram 230V</b>	<b>27</b>

# Cabinet (a)

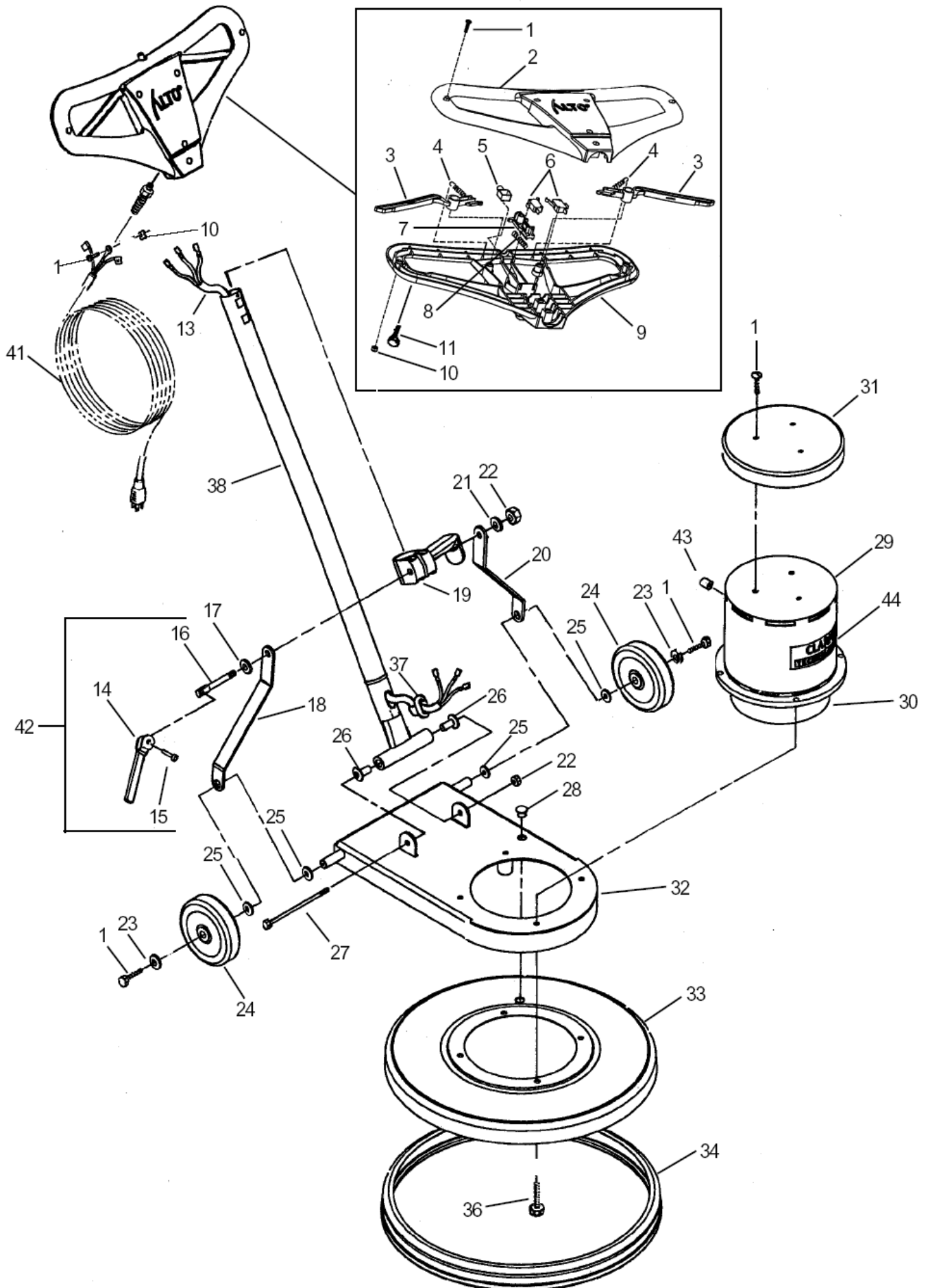
C2K HS VERSION

21-01-2013

Part List ID

C2K02

3



# Cabinet (a)

## C2K HS VERSION

21-01-2013

Part List ID  
C2K02

4

Pos	Part no.	Qty	Description	
1	85383A	12	SCREW 10 32 X 3/4 PAN HD	
2	50779A	1	HANDLE FRONT C2K	
3	50798A	2	LEVER SWITCH C2K	
4	50820A	2	SPRING EXTENSION C2K	
5	50806A	1	BUTTON INTERLOCK C2K	
6	40109A	2	SWITCH MINIATURE SPNO C2K	
7	50799A	1	INTERLOCK MAIN C2K	
8	50821A	1	SPRING COMPRESSION C2K	
9	50780A	1	HANDLE REAR C2K	
10	920722	7	NUT 10 32 ELASTIC STOP ZN.PL.	
11	962957	2	SCREW 10 16 X 1/2 HI LO	
13	50871A	1	CORD INTERCONNECT	
14	461404	1	CAM LOCKING C LINE	
15	925592	1	PIN 1/4 X 1 SPIROL	
16	441301	1	BOLT LOCKING CAM C15	
17	980349	1	WASHER WEAR CAM	
18	50791A	1	ARM LINK RIGHT C2K	
19	50781A	1	CLAMP HANDLE C2K	
20	50792A	1	ARM LINK LEFT C2K	
21	980645	1	WASHER 3/8 FLAT SAE	
22	920342	2	NUT LK 3/8 16 REG	
23	87035A	2	WASHER 10 FENDERSS	SS
24	50793A	2	WHEEL 5 C2K W/SPACER	
25	87050A	4	WASHER FLT 1.0 X .63 X .06 NYL	
26	50794A	2	BUSHING NYLON C2K	
27	80087A	1	SCREW 3/8 16 X 6	
28	57120A	1	PLUG BUTTON	
29	44638A	1	MOTOR 230/50 VP/C LINE	(160, 180, 200)
29	50879C	1	MOTOR 1.1KW 50HZ	(1600, 1800, 2000)
29	50880A	1	MOTOR/GEARBOX 1.1kW 230/50	(1600HS, 1800HS, 2000HS)
29	50993A	1	MOTOR 560W 230V 50Hz	(16, 18)
30	50872A	1	GEARBOX 7 TO 1 2 PLANET	(16, 18, 160, 180, 200)
30	50881A	1	GEARBOX 7 TO 1 3-PLANET	(1600, 1800, 2000, 1600HS, 1800HS, 2000HS)
31	50822A	1	COVER MOTOR 3/4 1 HP	(16, 18, 160, 180, 200)
31	50823A	1	COVER MOTOR 1.5 HP	(1600, 1800, 2000, 1600HS, 1800HS, 2000HS)
32	50790A	1	FRAME MAIN C2K	
33	50785A	1	SHIELD BRUSH 16 C2K	(16, 160, 1600)
33	50786A	1	SHIELD BRUSH 18 C2K	(18, 180, 1800)
33	50787A	1	SHIELD BRUSH 20 C2K	(200, 2000)
34	50782A	1	BUMPER SHIELD 16 C2K	(16, 160, 1600)
34	50783A	1	BUMPER SHIELD 18 C2K	(18, 180, 1800)
34	50784A	1	BUMPER 20	(200, 2000)
36	80098A	4	SCREW SEMS 5/16-18 X 2 1/8	

# Cabinet (a)

## C2K HS VERSION

21-01-2013

Part List ID

C2K02

5

Pos	Part no.	Qty	Description
37	50796A	1	BUSHING CORD C2K
38	50795A	1	TUBE HANDLE C2K
41	50931A	1	CORDSCHUKOPOWER SUPPLY C2K
42	56109699	1	CAM ASSY WITH GRIP
43	747553	1	STRAIN RELIEFSR7W2 CM20
44	77378A	1	LABELADHESIVECLARKE TECH .65
NI	82100A	1	LOCKNUT 1/2 CONDUIT

# Cabinet (b)

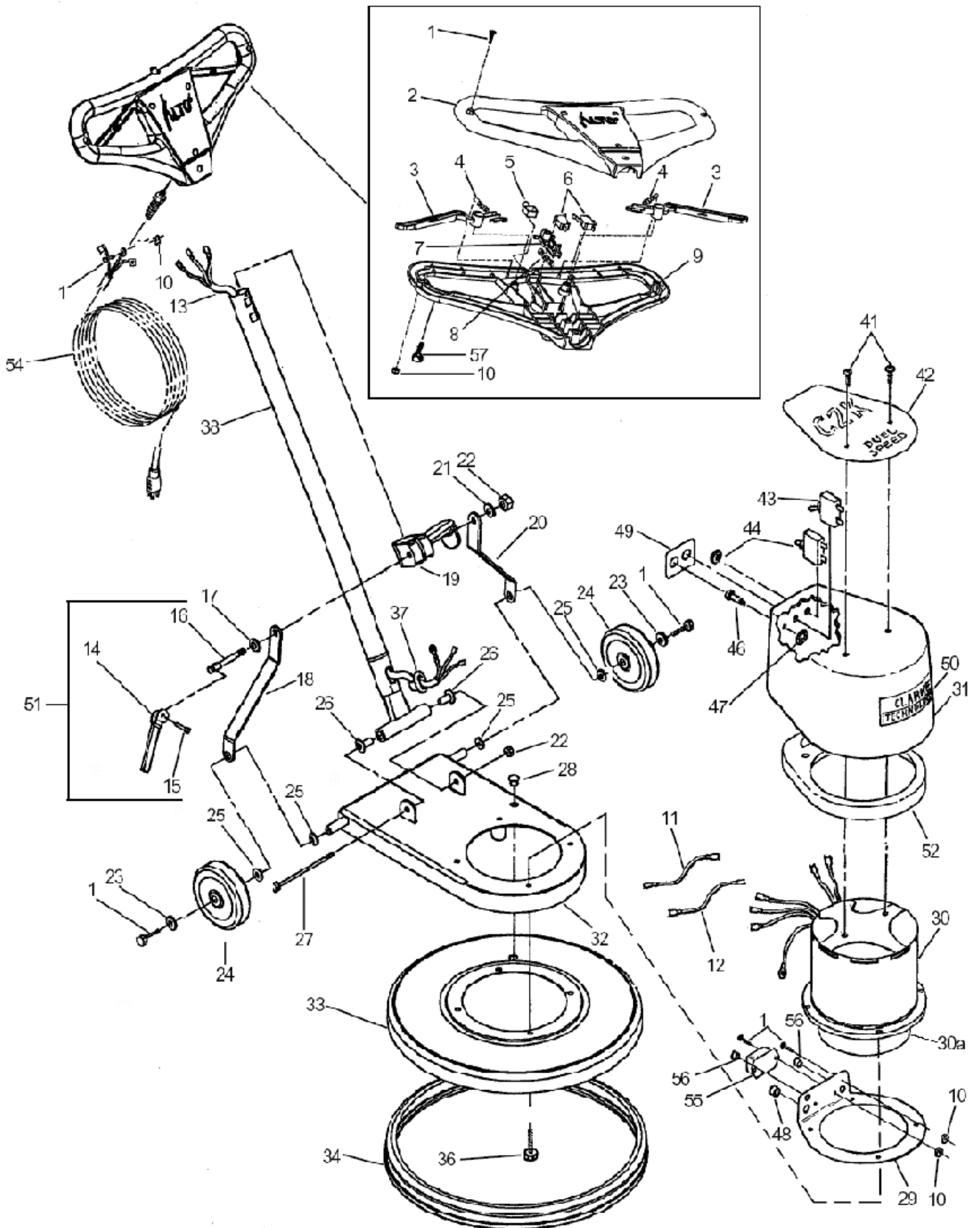
C2K HS VERSION

21-01-2013

Part List ID

C2K04

6



# Cabinet (b)

## C2K HS VERSION

21-01-2013

Part List ID  
C2K04

7

Pos	Part no.	Qty	Description	
1	85383A	12	SCREW 10 32 X 3/4 PAN HD	
2	50779A	1	HANDLE FRONT C2K	
3	50798A	2	LEVER SWITCH C2K	
4	50820A	2	SPRING EXTENSION C2K	
5	50806A	1	BUTTON INTERLOCK C2K	
6	40109A	2	SWITCH MINIATURE SPNO C2K	
7	50799A	1	INTERLOCK MAIN C2K	
8	50821A	1	SPRING COMPRESSION C2K	
9	50780A	1	HANDLE REAR C2K	
10	920722	10	NUT 10 32 ELASTIC STOP ZN.PL.	
12	40140A	1	WIRE PROCESSED BROWN	LEAD ASSEMBLY (BROWN)
14	461404	1	CAM LOCKING C LINE	
15	925592	1	PIN 1/4 X 1 SPIROL	
16	441301	1	BOLT LOCKING CAM C15	
17	980349	1	WASHER WEAR CAM	
18	50791A	1	ARM LINK RIGHT C2K	
19	50781A	1	CLAMP HANDLE C2K	
20	50792A	1	ARM LINK LEFT C2K	
21	980645	1	WASHER 3/8 FLAT SAE	
22	920248	2	NUT 3/8 16 ESNA LIGHT	
23	87035A	2	WASHER 10 FENDERSS	
24	50793A	2	WHEEL 5 C2K W/SPACER	5"
25	87050A	4	WASHER FLT 1.0 X .63 X .06 NYL	
26	50794A	2	BUSHING NYLON C2K	
27	80087A	1	SCREW 3/8 16 X 6	
28	57120A	1	PLUG BUTTON	
29	50825A	1	BRACKET FILTER C2K	
30	50876A	1	MOTOR/GEARBOX 1.1kW 230V	
31	50824A	1	COVER MOTOR DS C2K	
32	50790A	1	FRAME MAIN C2K	
33	50785A	1	SHIELD BRUSH 16 C2K	1600
33	50787A	1	SHIELD BRUSH 20 C2K	2000
34	50782A	1	BUMPER SHIELD 16 C2K	1600
34	50784A	1	BUMPER 20	2000
36	80098A	4	SCREW SEMS 5/16-18 X 2 1/8	
37	50796A	1	BUSHING CORD C2K	
38	50795A	1	TUBE HANDLE C2K	
41	85517A	2	SCREW 10 24X1/2 PN SB TP T PH	
42	70151A	1	LABEL DUAL SPEED C2K	
43	50877A	1	SWITCH TOGGLE-SPDT VDE	
44	51345B	1	BREAKERCIRCUIT10AQDW/BOOT	
47	80201A	1	CLIPBRUSH LIGHT 2000 PV	
48	747553	1	STRAIN RELIEFSR7W2 CM20	

# Cabinet (b)

## C2K HS VERSION

21-01-2013

Part List ID  
C2K04

8

Pos	Part no.	Qty	Description
50	77378A	1	LABELADHESIVECLARKE TECH .65
51	56109699	1	CAM ASSY WITH GRIP (INCLUDES #14, 15 &16)
52	30605A	1	BAFFLE AIR DAYTON BURNISHERS
54	50931A	1	CORDSCHUKOPOWER SUPPLY C2K
55	47201A	1	SUPPRESSOR RF 8A IMAGE 14
57	962957	2	SCREW 10 16 X 1/2 HI LO
NI	82100A	1	LOCKNUT 1/2 CONDUIT



# Motor 230V, 50Hz

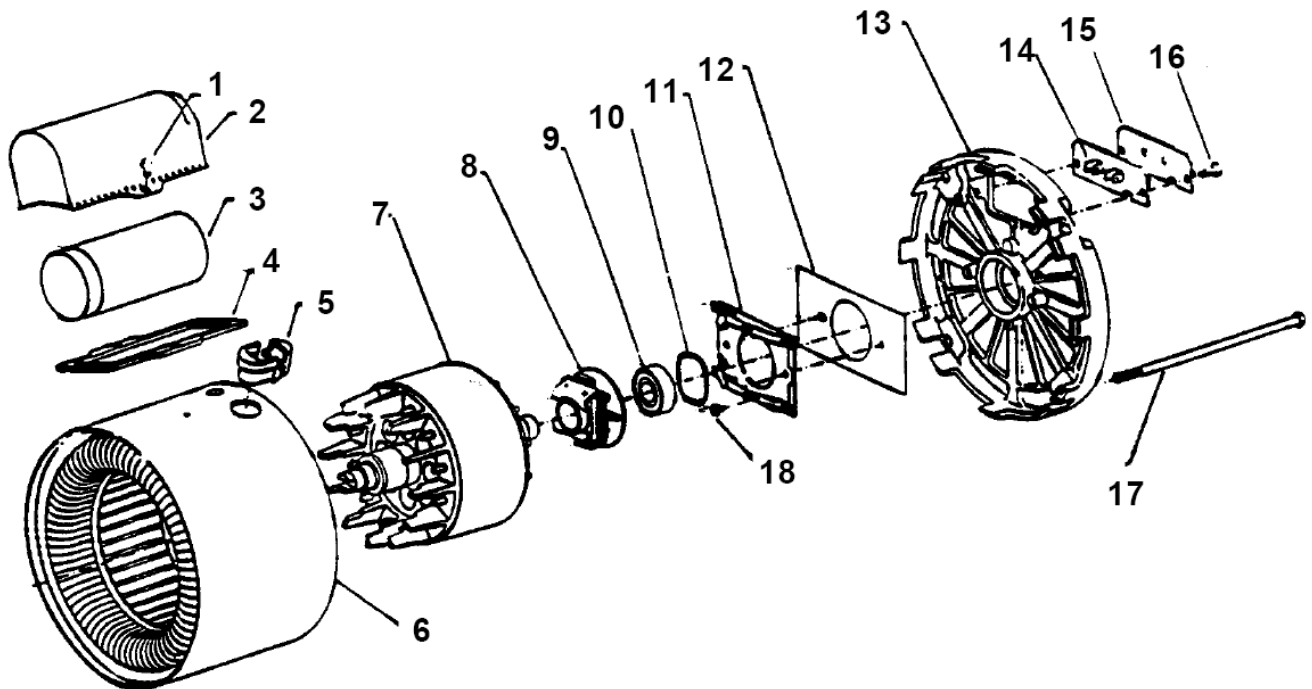
C2K HS VERSION

21-01-2013

Part List ID

C2K06

9



# Motor 230V, 50Hz

## C2K HS VERSION

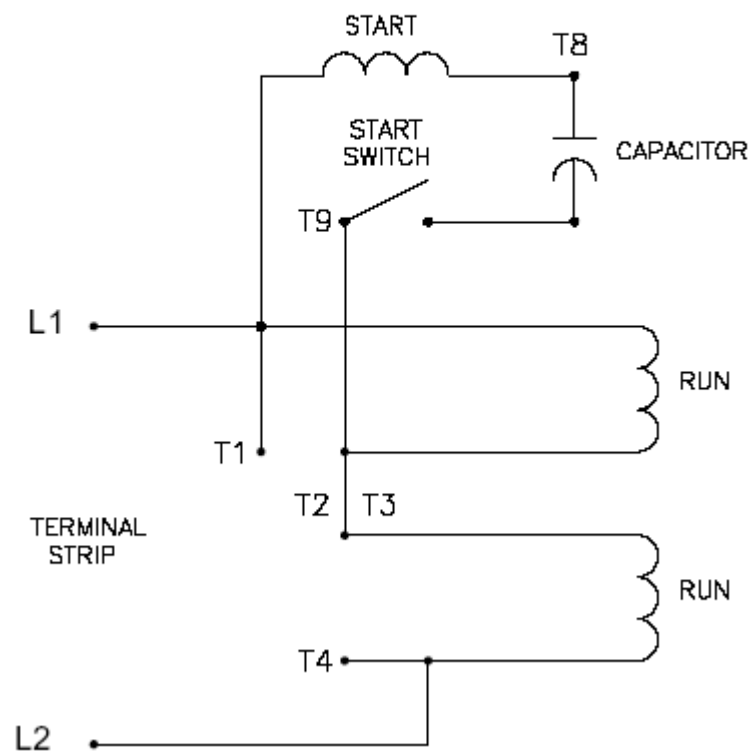
21-01-2013

Part List ID  
C2K06

10

Pos	Part no.	Qty	Description
1	85833A	2	SCREW MACHINE 10 32 TYPE 23
2	52018A	1	CAPACITOR CASE FOR 44635A
3	52019A	1	START CAPACITOR FOR 44635A
5	737502	1	STRAIN RELIEF
7	50400A	1	ROTOR AND SHAFT ASM. FOR 4463
8	56461A	1	SWITCH ASM.CENTRIFUGAL 50HZ V
9	902550	1	BEARING BALL 6203
11	58032A	1	STATIONARY SWITCH FOR 44635A
13	53523A	1	ENDSHIELD FOR 44635A
14	58911A	1	TERMINAL BOARD ASM. FOR 44635
15	58912A	1	TERMINAL BOARD FOR 44635A
16	58034A	2	SCREW 10-32 X .50 LG. FOR 446
17	50691A	4	BOLT .250 28 X 6.75 LG. FOR

## 230V Motor Electrical Schematic



# Motor. Elecrical schematic

C2K HS VERSION

21-01-2013

Part List ID C2K08

12

# Gearbox

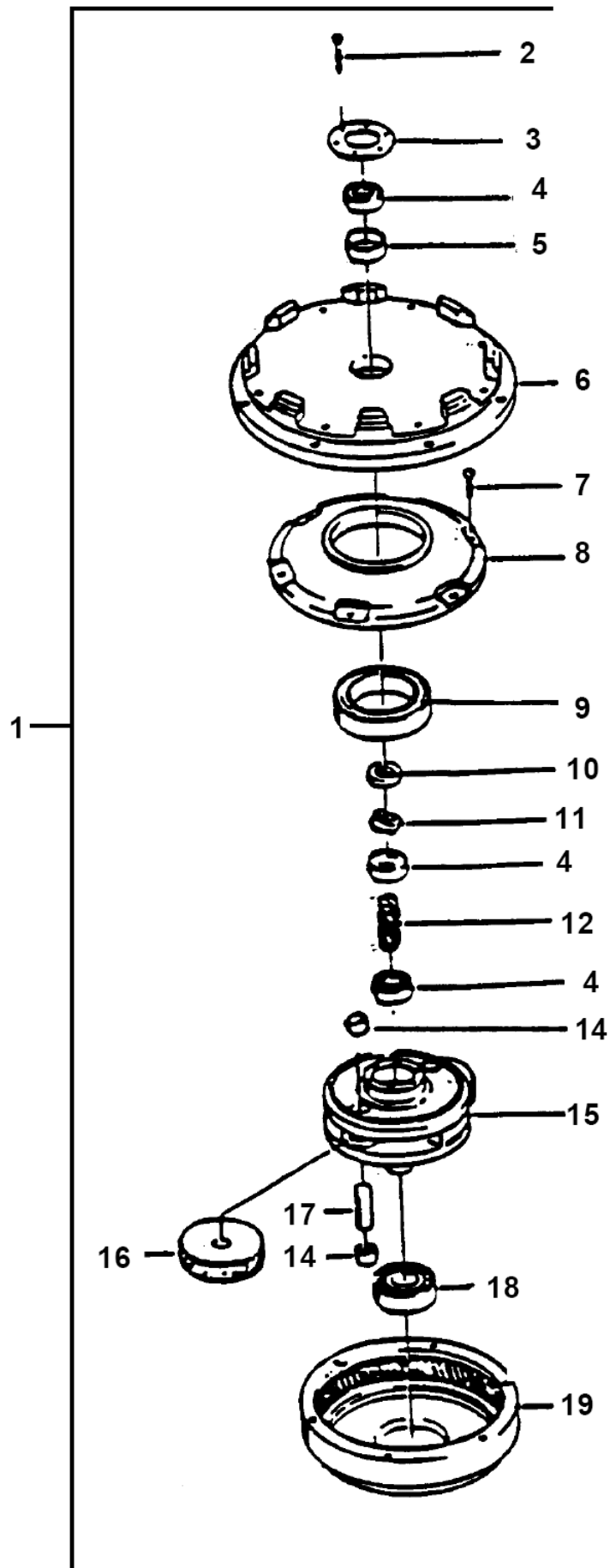
C2K HS VERSION

21-01-2013

Part List ID

C2K10

13



# Gearbox

## C2K HS VERSION

21-01-2013

Part List ID

C2K10

14

Pos	Part no.	Qty	Description
1	54409A	1	GEARBOXPOLISHER G/RVP/C LIN
2	962966	6	SCREW 10 32 X 1 1/4 SOCKET
3	56922A	1	PLATERETAINERGEARBOX FOR 45
4	902606	3	BEARING BALL 6002
5	58520A	1	SPACERSLEEVEGEARBOX FOR 450
6	53524A	1	ENDSHIELDF/44635A G/RVP/C LI
7	962794	6	SCREW 10 24X1 PN ST PH
8	54858A	1	HOUSING COVER GEARBOX FOR 450
9	902736	1	BEARINGBALL 6010W/SNAP RING
10	58314A	1	SHAFT RETAINERGEARBOX FOR 450
11	69195a	1	COUPLING
14	902737	4	BEARING NEEDLE 1/2X11/16X3/8
15	52020A	1	CAGEGEARBOX FOR 45023A 322
17	58312A	2	SHAFTPLANETGEARBOX FOR 4502
18	902654	1	BEARING BALL 6204

# Motor

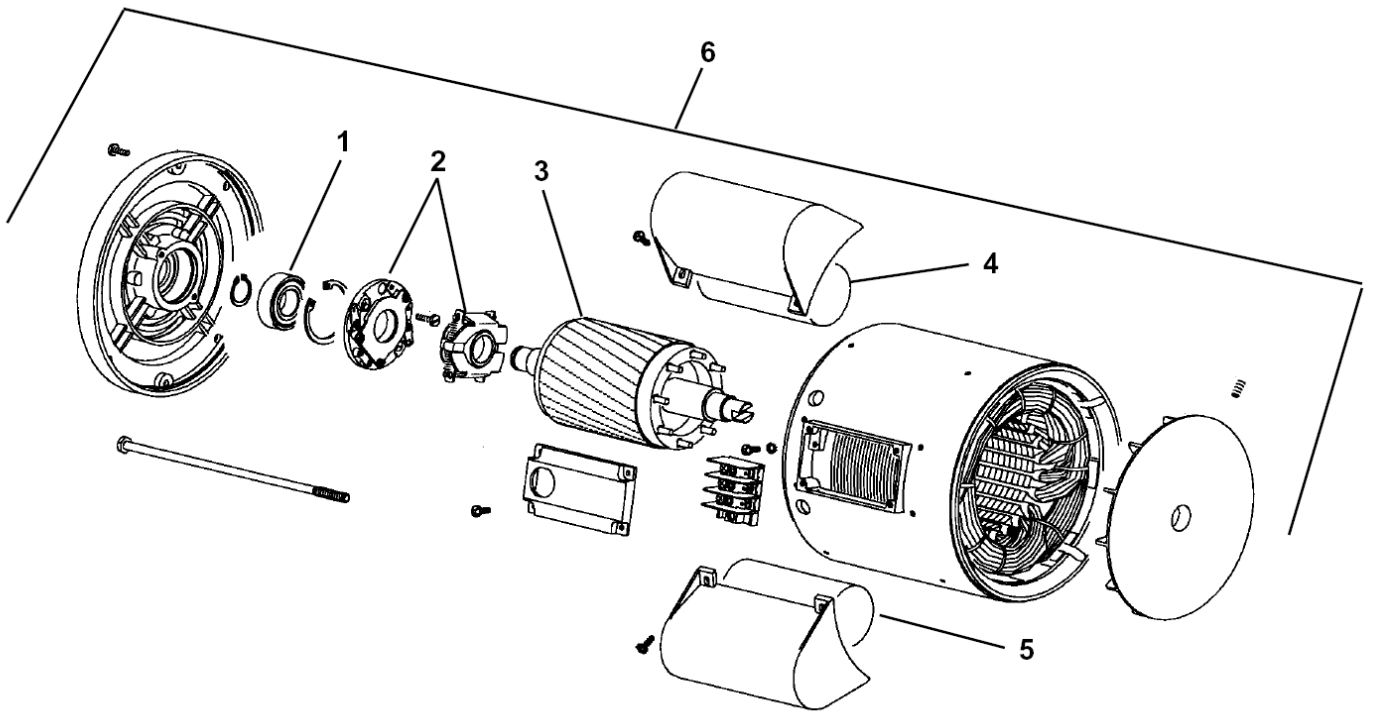
C2K HS VERSION

21-01-2013

Part List ID

C2K12

15



# Motor

## C2K HS VERSION

21-01-2013

Part List ID C2K12

16

Pos	Part no.	Qty	Description	
1	50761A	1	BLOCKTERMAL STV 20	(50879A)
1	56410183	1	BEARING F.E.	(50880A)
2	40153A	1	CENT. MECH. SWITCH	(50880A)
2	51054A	1	CENTRIFUGAL / SWITCH	(50879A)
3	40154A	1	ROTOR W/ SHAFT	(50880A)
4	50862A	1	CAPACITORC2K 1.5 ELECTROLYTIC	(50879A)
5	40156A	1	CAPACITOR RUN	(50880A)
5	50863A	1	CAPACITOR C2K 1.5HP OIL	(50879A)
6	50879C	1	MOTOR 1.1KW 50HZ	(50879A)
6	50880A	1	MOTOR/GEARBOX 1.1kW 230/50	(50880A)



# Motor. Electrical schematic

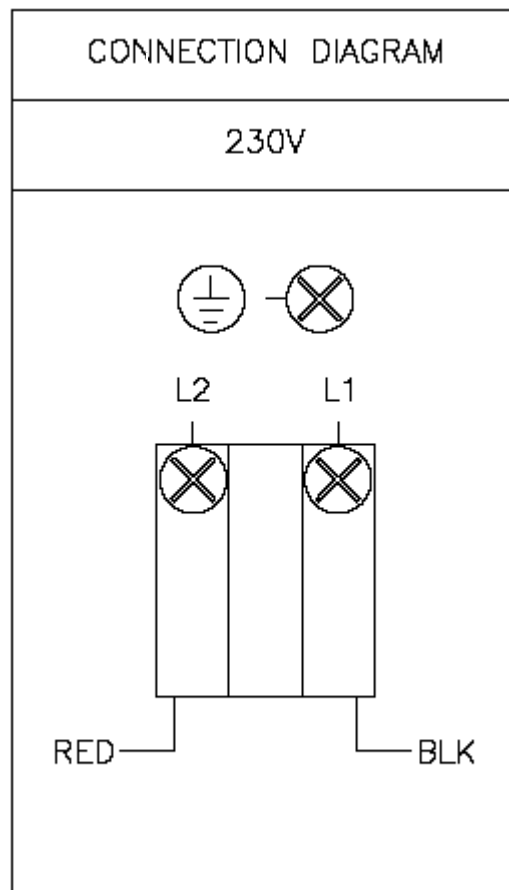
C2K HS VERSION

21-01-2013

Part List ID

C2K14

17



# Motor. Electrical schematic

C2K HS VERSION

21-01-2013

Part List ID

C2K14

18

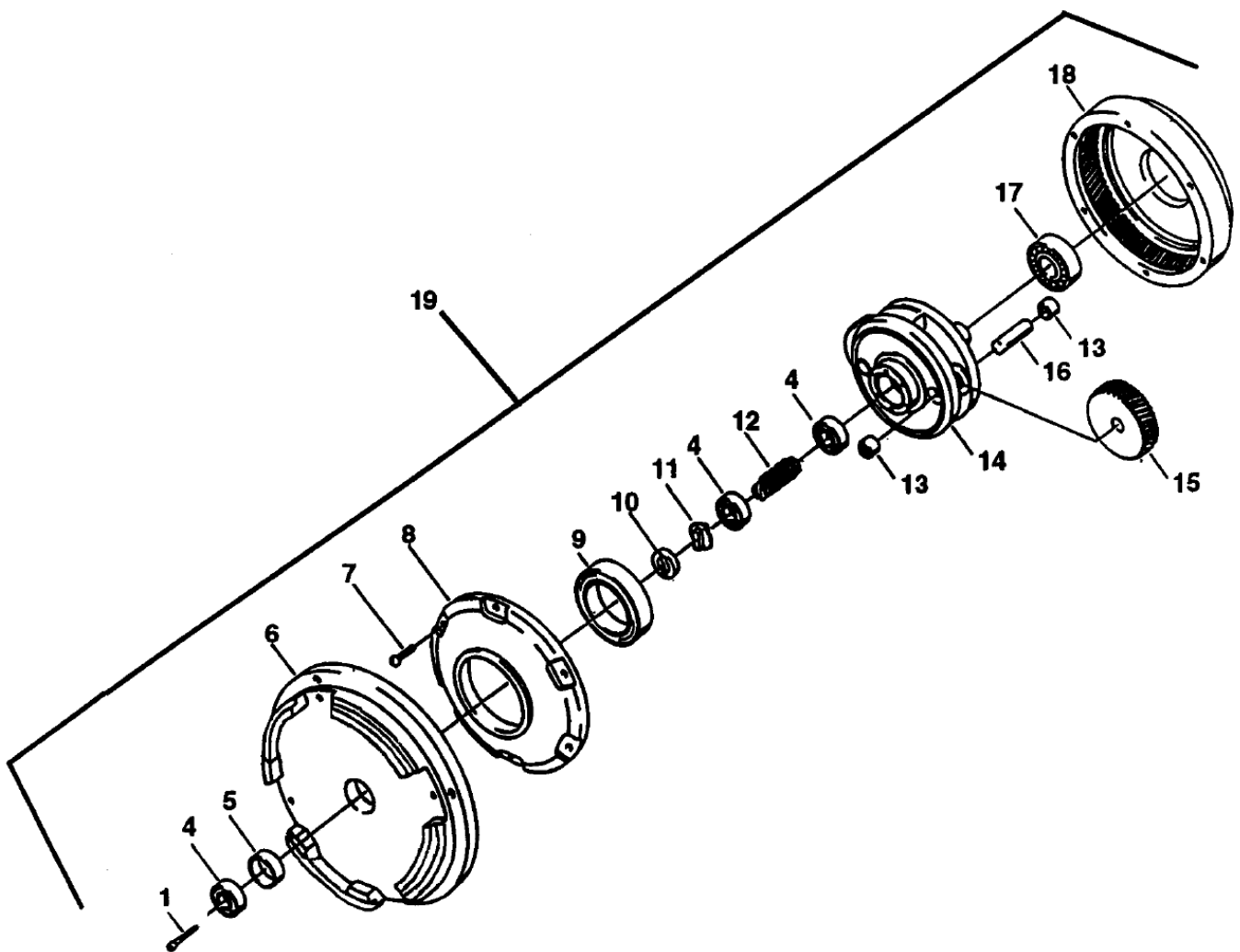
# Gearbox

C2K HS VERSION

21-01-2013

Part List ID C2K16

19



# Gearbox

## C2K HS VERSION

21-01-2013

Part List ID  
C2K16

20

Pos	Part no.	Qty	Description
1	962966	6	SCREW 10 32 X 1 1/4 SOCKET
4	902606	3	BEARING BALL 6002
5	58520A	1	SPACERSLEEVEGEARBOX FOR 450
6	50852A	1	FLANGE
7	962794	6	SCREW 10 24X1 PN ST PH
8	54858A	1	HOUSING COVER GEARBOX FOR 450
9	902736	1	BEARINGBALL 6010W/SNAP RING
10	58314A	1	SHAFT RETAINERGEARBOX FOR 450
11	69195a	1	COUPLING
13	902737	6	BEARING NEEDLE 1/2X11/16X3/8
16	58312A	3	SHAFPLANETGEARBOX FOR 4502
17	902654	1	BEARING BALL 6204
19	50851A	1	GEARBOX

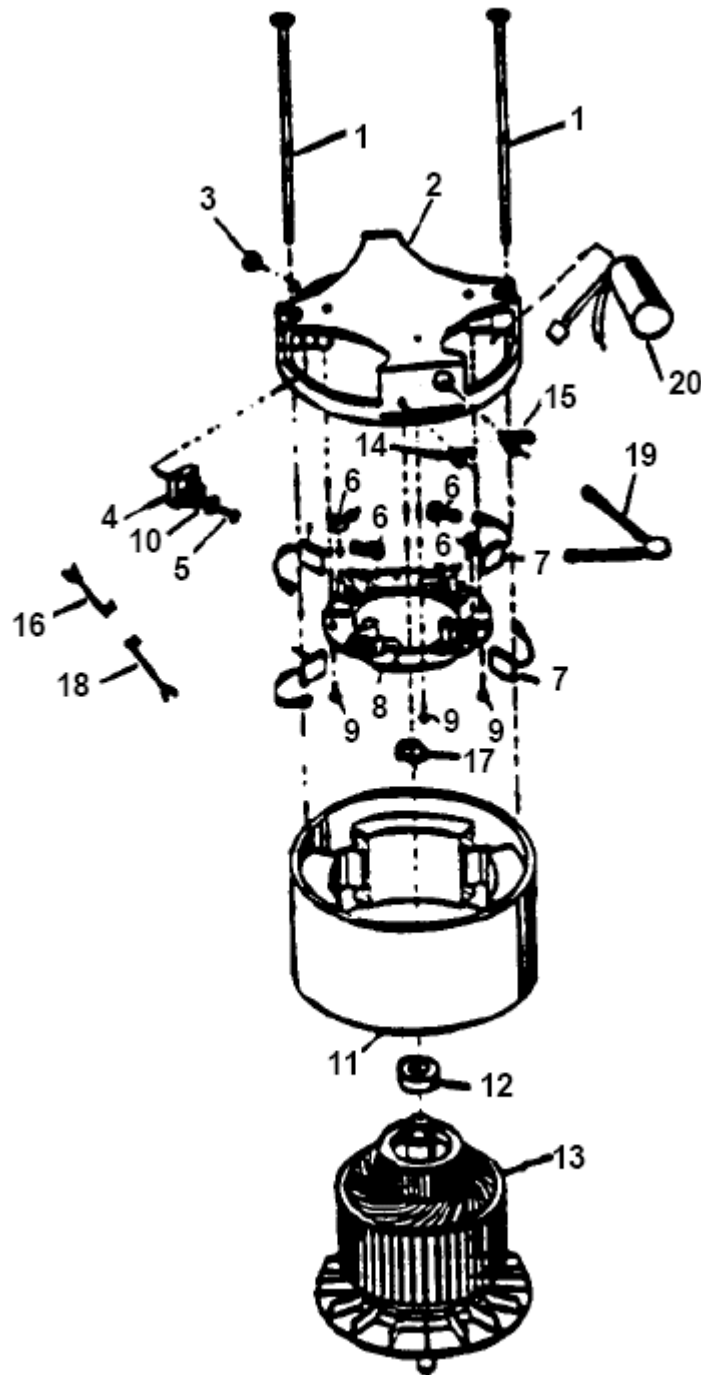
# Motor 230V

C2K HS VERSION

21-01-2013

Part List ID C2K18

21



# Motor 230V

## C2K HS VERSION

21-01-2013

Part List ID  
C2K18

22

Pos	Part no.	Qty	Description
4	912287	1	RECTIFIER
6	448396	4	SPRING BRUSH 571001
7	40819A	4	BRUSHCARBON230V/115V DCR PV
8	40411A	1	BRUSH BOARD ASM. 230V
9	962310	4	SCR 10 24X 1/2 OV P ST MACH
10	980608	1	WASHER FLT 6 PLAIN
12	902550	1	BEARING BALL 6203
16	55648A	1	LEADRED PV BURN
17	980076	1	WASHER HELICAL
18	55647A	1	LEADYELLOW PV BURN
19	59607A	1	VARISTOR 230V PV BURN
20	46736A	1	SPEED CONTROL ASM. 230V
21	44653A	1	MOTOR/GEARBOX 230V VP-20DS

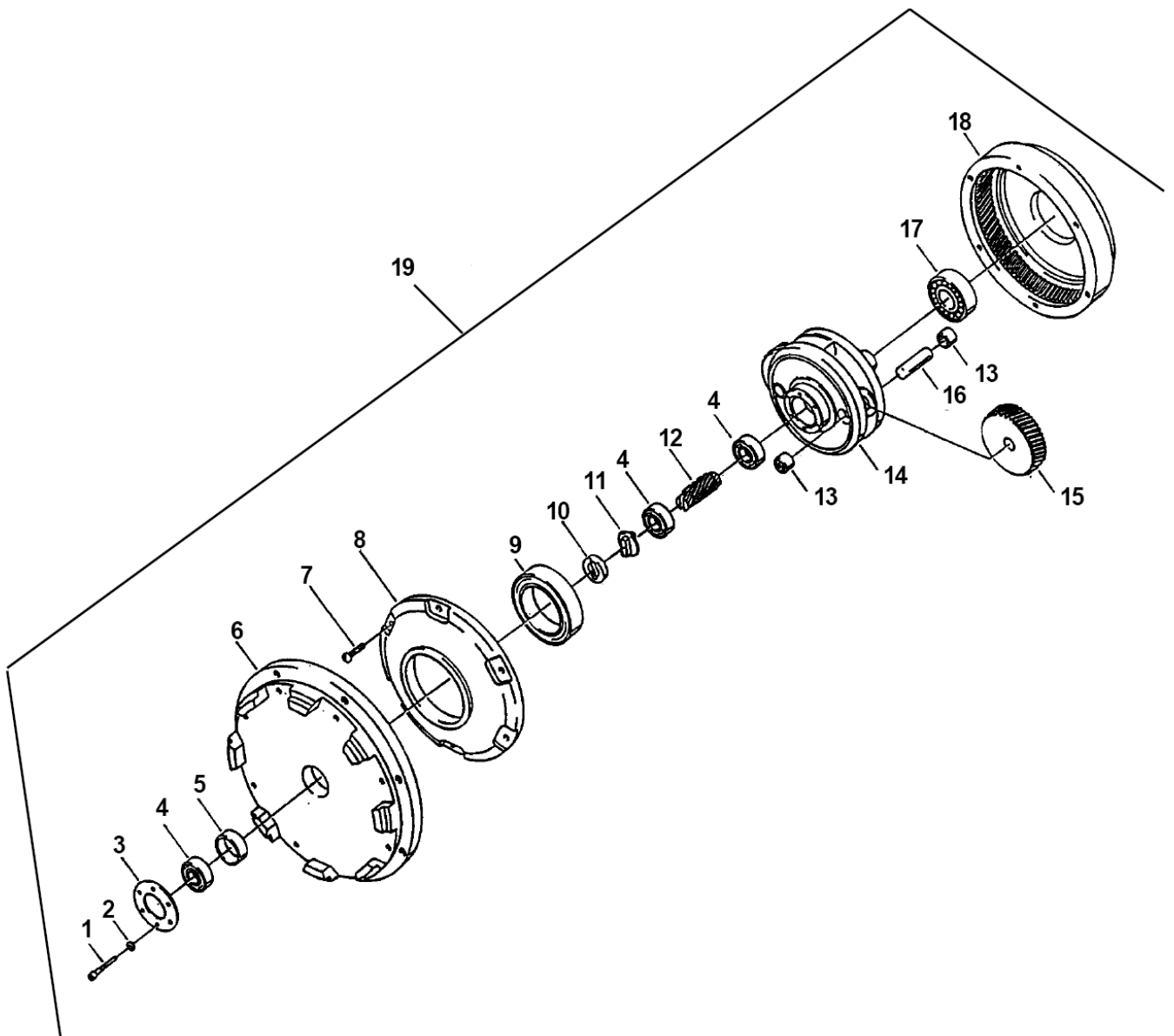
# Gearbox

C2K HS VERSION

21-01-2013

Part List ID C2K20

23



# Gearbox

## C2K HS VERSION

21-01-2013

Part List ID  
C2K20

24

Pos	Part no.	Qty	Description
1	962966	6	SCREW 10 32 X 1 1/4 SOCKET
3	56922A	1	PLATERETAINERGEARBOX FOR 45
4	902606	3	BEARING BALL 6002
5	58520A	1	SPACERSLEEVEGEARBOX FOR 450
7	962794	6	SCREW 10 24X1 PN ST PH
8	54858A	1	HOUSING COVER GEARBOX FOR 450
9	902736	1	BEARINGBALL 6010W/SNAP RING
10	58314A	1	SHAFT RETAINERGEARBOX FOR 450
11	69195a	1	COUPLING
13	902737	6	BEARING NEEDLE 1/2X11/16X3/8
16	58312A	3	SHAFPLANETGEARBOX FOR 4502
17	902654	1	BEARING BALL 6204



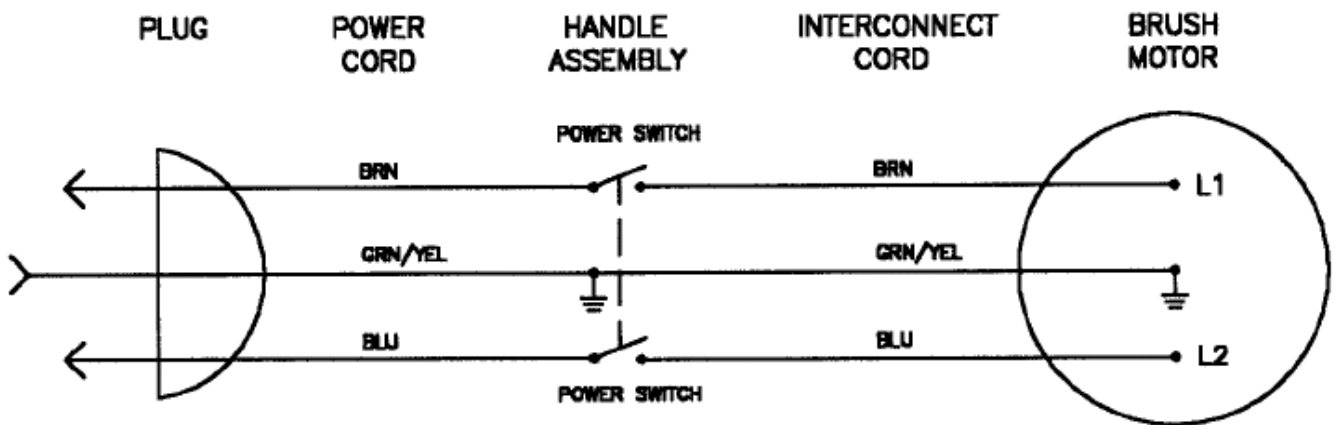
# Wiring diagram 230V - 50Hz

C2K HS VERSION

21-01-2013

Part List ID C2K22

25



# Wiring diagram 230V - 50Hz

C2K HS VERSION

21-01-2013

Part List ID

C2KZZ

26

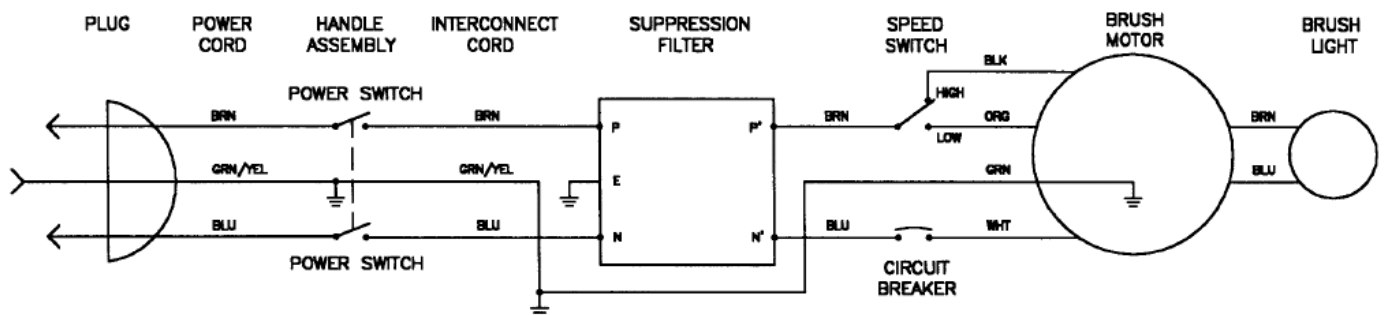
# Wiring diagram 230V

C2K HS VERSION

21-01-2013

Part List ID C2K24

27



# Wiring diagram 230V

C2K HS VERSION

21-01-2013

Part List ID C2K24

28