

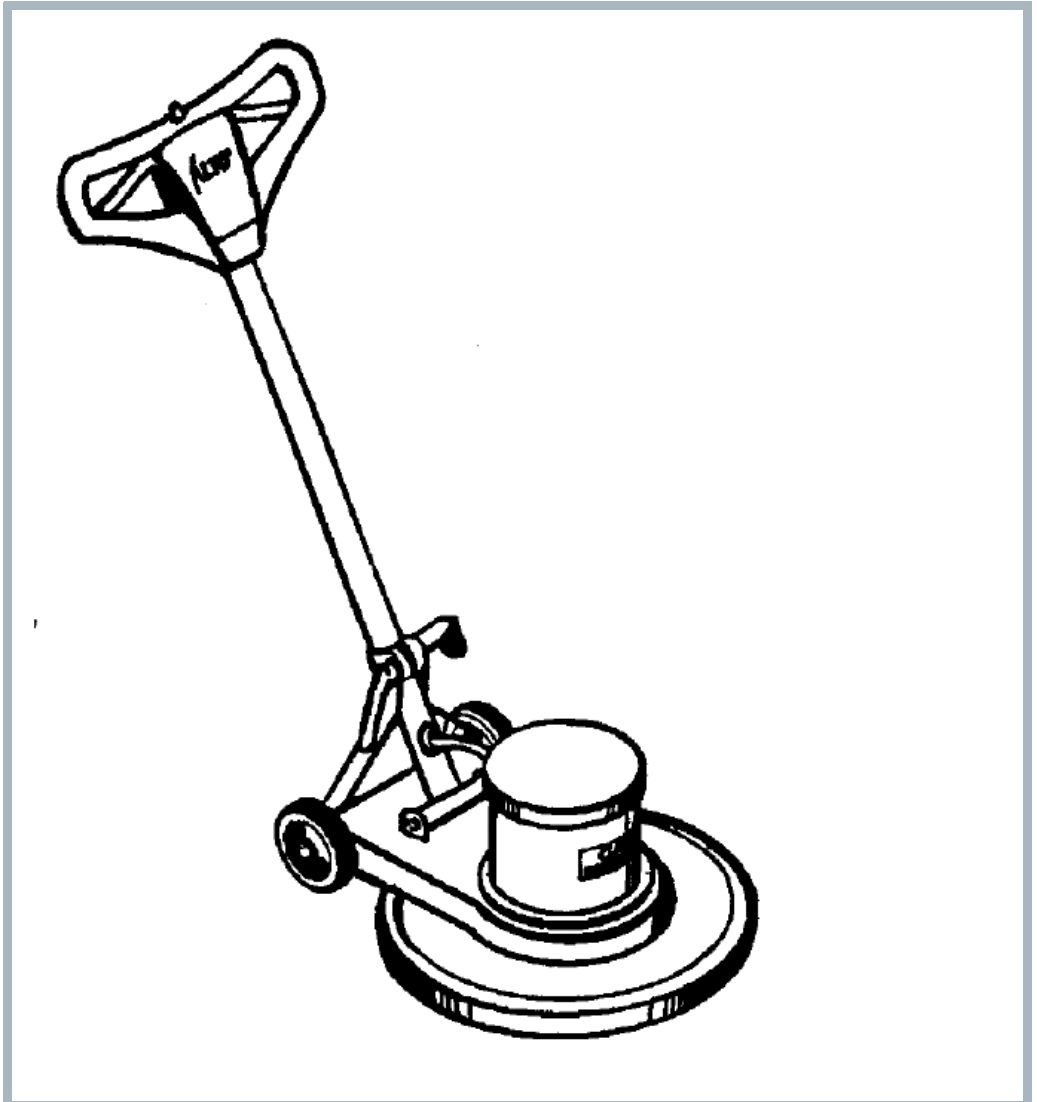
C2K DS VERSION

Model:

C2K 1600 DS

C2K 1800 DS

C2K 2000 DS



Part List US-English

21-01-2013

Nilfisk
ALTO
works for you

www.nilfisk-alto.com

Ersatzteile auf www.gluesing.net

Table of Contents

C2K DS VERSION

| | |
|------------------------------------|-----------|
| Cabinet (a) | 3 |
| Cabinet (b) | 6 |
| Motor 230V, 50Hz | 9 |
| Motor. Electrical schematic | 11 |
| Gearbox | 13 |
| Motor | 15 |
| Motor. Electrical schematic | 17 |
| Gearbox | 19 |
| Motor 230V | 21 |
| Gearbox | 23 |
| Wiring diagram 230V - 50Hz | 25 |
| Wiring diagram 230V | 27 |

Cabinet (a)

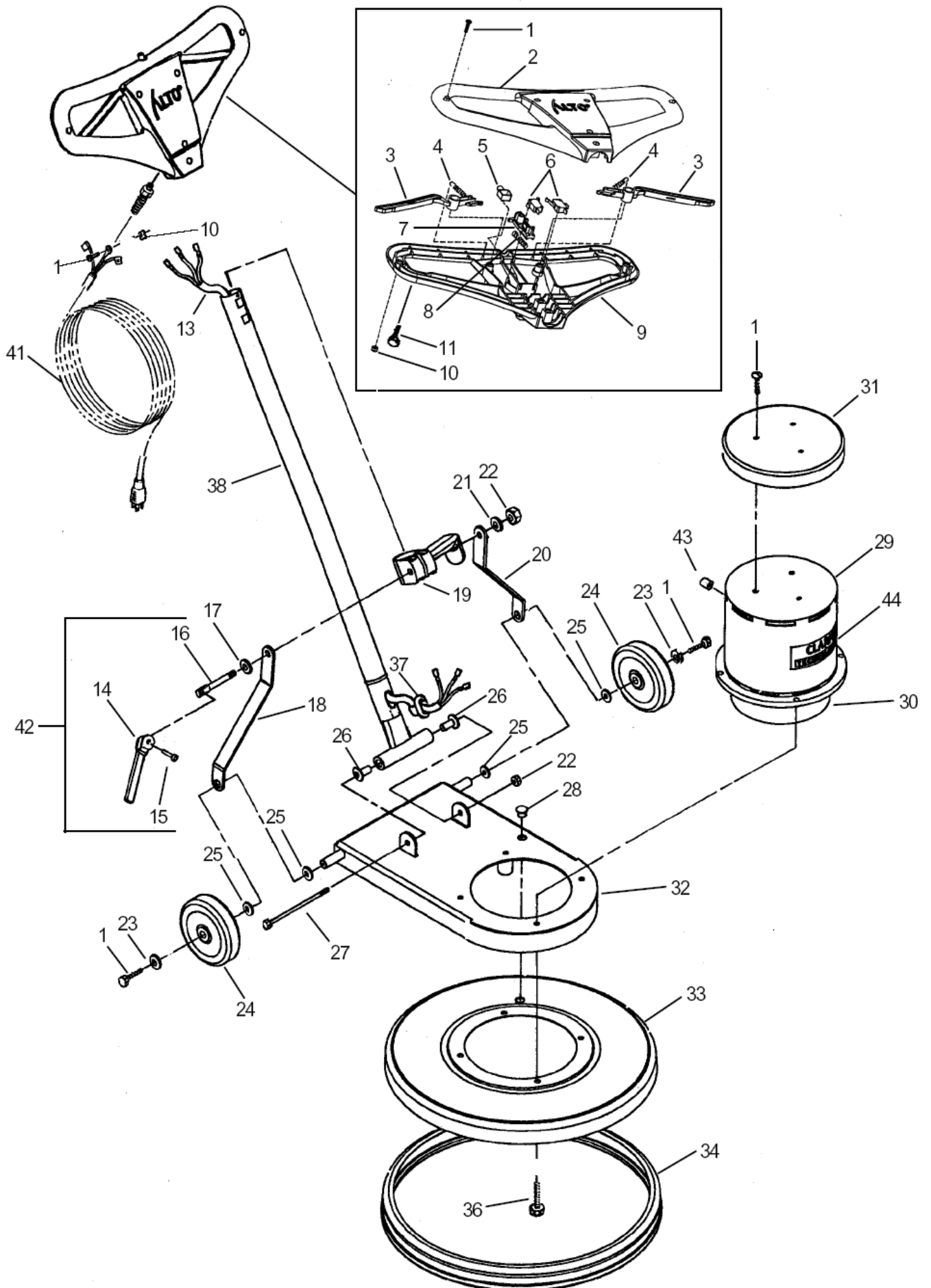
C2K DS VERSION

21-01-2013

Part List ID

C2K02

3



Cabinet (a)

C2K DS VERSION

21-01-2013

Part List ID C2K02

4

| Pos | Part no. | Qty | Description | |
|-----|----------|-----|--------------------------------|--|
| 1 | 85383A | 12 | SCREW 10 32 X 3/4 PAN HD | |
| 2 | 50779A | 1 | HANDLE FRONT C2K | |
| 3 | 50798A | 2 | LEVER SWITCH C2K | |
| 4 | 50820A | 2 | SPRING EXTENSION C2K | |
| 5 | 50806A | 1 | BUTTON INTERLOCK C2K | |
| 6 | 40109A | 2 | SWITCH MINIATURE SPNO C2K | |
| 7 | 50799A | 1 | INTERLOCK MAIN C2K | |
| 8 | 50821A | 1 | SPRING COMPRESSION C2K | |
| 9 | 50780A | 1 | HANDLE REAR C2K | |
| 10 | 920722 | 7 | NUT 10 32 ELASTIC STOP ZN.PL. | |
| 11 | 962957 | 2 | SCREW 10 16 X 1/2 HI LO | |
| 13 | 50871A | 1 | CORD INTERCONNECT | |
| 14 | 461404 | 1 | CAM LOCKING C LINE | |
| 15 | 925592 | 1 | PIN 1/4 X 1 SPIROL | |
| 16 | 441301 | 1 | BOLT LOCKING CAM C15 | |
| 17 | 980349 | 1 | WASHER WEAR CAM | |
| 18 | 50791A | 1 | ARM LINK RIGHT C2K | |
| 19 | 50781A | 1 | CLAMP HANDLE C2K | |
| 20 | 50792A | 1 | ARM LINK LEFT C2K | |
| 21 | 980645 | 1 | WASHER 3/8 FLAT SAE | |
| 22 | 920342 | 2 | NUT LK 3/8 16 REG | |
| 23 | 87035A | 2 | WASHER 10 FENDERSS | SS |
| 24 | 50793A | 2 | WHEEL 5 C2K W/SPACER | |
| 25 | 87050A | 4 | WASHER FLT 1.0 X .63 X .06 NYL | |
| 26 | 50794A | 2 | BUSHING NYLON C2K | |
| 27 | 80087A | 1 | SCREW 3/8 16 X 6 | |
| 28 | 57120A | 1 | PLUG BUTTON | |
| 29 | 44638A | 1 | MOTOR 230/50 VP/C LINE | (160, 180, 200) |
| 29 | 50879C | 1 | MOTOR 1.1KW 50HZ | (1600, 1800, 2000) |
| 29 | 50880A | 1 | MOTOR/GEARBOX 1.1kW 230/50 | (1600HS, 1800HS, 2000HS) |
| 29 | 50993A | 1 | MOTOR 560W 230V 50Hz | (16, 18) |
| 30 | 50872A | 1 | GEARBOX 7 TO 1 2 PLANET | (16, 18, 160, 180, 200) |
| 30 | 50881A | 1 | GEARBOX 7 TO 1 3-PLANET | (1600, 1800, 2000, 1600HS, 1800HS, 2000HS) |
| 31 | 50822A | 1 | COVER MOTOR 3/4 1 HP | (16, 18, 160, 180, 200) |
| 31 | 50823A | 1 | COVER MOTOR 1.5 HP | (1600, 1800, 2000, 1600HS, 1800HS, 2000HS) |
| 32 | 50790A | 1 | FRAME MAIN C2K | |
| 33 | 50785A | 1 | SHIELD BRUSH 16 C2K | (16, 160, 1600) |
| 33 | 50786A | 1 | SHIELD BRUSH 18 C2K | (18, 180, 1800) |
| 33 | 50787A | 1 | SHIELD BRUSH 20 C2K | (200, 2000) |
| 34 | 50782A | 1 | BUMPER SHIELD 16 C2K | (16, 160, 1600) |
| 34 | 50783A | 1 | BUMPER SHIELD 18 C2K | (18, 180, 1800) |
| 34 | 50784A | 1 | BUMPER 20 | (200, 2000) |
| 36 | 80098A | 4 | SCREW SEMS 5/16-18 X 2 1/8 | |

Cabinet (a)

C2K DS VERSION

21-01-2013

Part List ID

C2K02

5

| Pos | Part no. | Qty | Description |
|-----|----------|-----|------------------------------|
| 37 | 50796A | 1 | BUSHING CORD C2K |
| 38 | 50795A | 1 | TUBE HANDLE C2K |
| 41 | 50931A | 1 | CORDSCHUKOPOWER SUPPLY C2K |
| 42 | 56109699 | 1 | CAM ASSY WITH GRIP |
| 43 | 747553 | 1 | STRAIN RELIEFSR7W2 CM20 |
| 44 | 77378A | 1 | LABELADHESIVECLARKE TECH .65 |
| NI | 82100A | 1 | LOCKNUT 1/2 CONDUIT |

Cabinet (b)

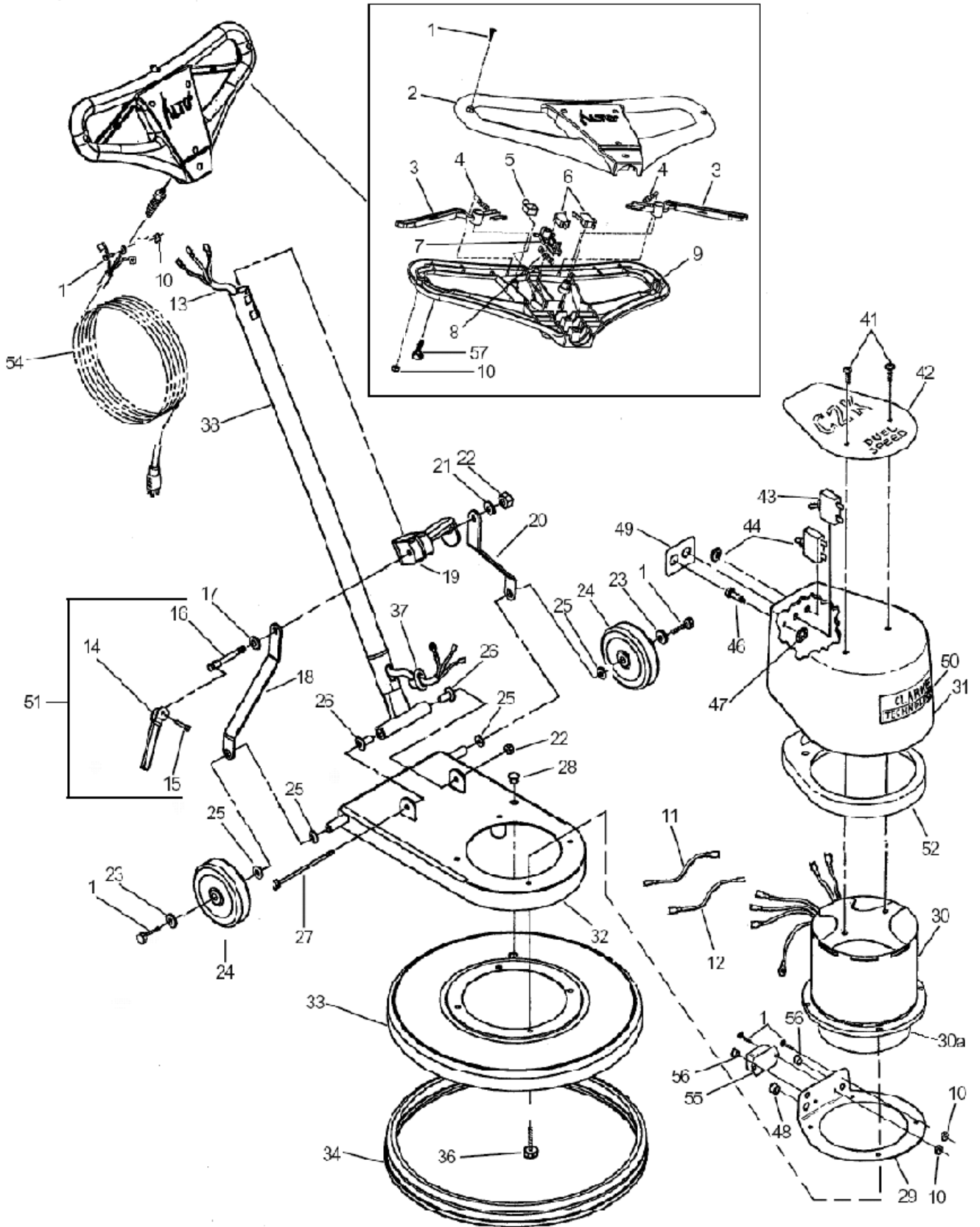
C2K DS VERSION

21-01-2013

Part List ID

C2K04

6



Cabinet (b)

C2K DS VERSION

21-01-2013

Part List ID
C2K04

7

| Pos | Part no. | Qty | Description | |
|-----|----------|-----|--------------------------------|-----------------------|
| 1 | 85383A | 12 | SCREW 10 32 X 3/4 PAN HD | |
| 2 | 50779A | 1 | HANDLE FRONT C2K | |
| 3 | 50798A | 2 | LEVER SWITCH C2K | |
| 4 | 50820A | 2 | SPRING EXTENSION C2K | |
| 5 | 50806A | 1 | BUTTON INTERLOCK C2K | |
| 6 | 40109A | 2 | SWITCH MINIATURE SPNO C2K | |
| 7 | 50799A | 1 | INTERLOCK MAIN C2K | |
| 8 | 50821A | 1 | SPRING COMPRESSION C2K | |
| 9 | 50780A | 1 | HANDLE REAR C2K | |
| 10 | 920722 | 10 | NUT 10 32 ELASTIC STOP ZN.PL. | |
| 12 | 40140A | 1 | WIRE PROCESSED BROWN | LEAD ASSEMBLY (BROWN) |
| 14 | 461404 | 1 | CAM LOCKING C LINE | |
| 15 | 925592 | 1 | PIN 1/4 X 1 SPIROL | |
| 16 | 441301 | 1 | BOLT LOCKING CAM C15 | |
| 17 | 980349 | 1 | WASHER WEAR CAM | |
| 18 | 50791A | 1 | ARM LINK RIGHT C2K | |
| 19 | 50781A | 1 | CLAMP HANDLE C2K | |
| 20 | 50792A | 1 | ARM LINK LEFT C2K | |
| 21 | 980645 | 1 | WASHER 3/8 FLAT SAE | |
| 22 | 920248 | 2 | NUT 3/8 16 ESNA LIGHT | |
| 23 | 87035A | 2 | WASHER 10 FENDERSS | |
| 24 | 50793A | 2 | WHEEL 5 C2K W/SPACER | 5" |
| 25 | 87050A | 4 | WASHER FLT 1.0 X .63 X .06 NYL | |
| 26 | 50794A | 2 | BUSHING NYLON C2K | |
| 27 | 80087A | 1 | SCREW 3/8 16 X 6 | |
| 28 | 57120A | 1 | PLUG BUTTON | |
| 29 | 50825A | 1 | BRACKET FILTER C2K | |
| 30 | 50876A | 1 | MOTOR/GEARBOX 1.1kW 230V | |
| 31 | 50824A | 1 | COVER MOTOR DS C2K | |
| 32 | 50790A | 1 | FRAME MAIN C2K | |
| 33 | 50785A | 1 | SHIELD BRUSH 16 C2K | 1600 |
| 33 | 50787A | 1 | SHIELD BRUSH 20 C2K | 2000 |
| 34 | 50782A | 1 | BUMPER SHIELD 16 C2K | 1600 |
| 34 | 50784A | 1 | BUMPER 20 | 2000 |
| 36 | 80098A | 4 | SCREW SEMS 5/16-18 X 2 1/8 | |
| 37 | 50796A | 1 | BUSHING CORD C2K | |
| 38 | 50795A | 1 | TUBE HANDLE C2K | |
| 41 | 85517A | 2 | SCREW 10 24X1/2 PN SB TP T PH | |
| 42 | 70151A | 1 | LABEL DUAL SPEED C2K | |
| 43 | 50877A | 1 | SWITCH TOGGLE-SPDT VDE | |
| 44 | 51345B | 1 | BREAKERCIRCUIT10AQDW/BOOT | |
| 47 | 80201A | 1 | CLIPBRUSH LIGHT 2000 PV | |
| 48 | 747553 | 1 | STRAIN RELIEFSR7W2 CM20 | |

Cabinet (b)

C2K DS VERSION

21-01-2013

Part List ID
C2K04

8

| Pos | Part no. | Qty | Description |
|-----|----------|-----|--|
| 50 | 77378A | 1 | LABELADHESIVECLARKE TECH .65 |
| 51 | 56109699 | 1 | CAM ASSY WITH GRIP (INCLUDES #14, 15 &16) |
| 52 | 30605A | 1 | BAFFLE AIR DAYTON BURNISHERS |
| 54 | 50931A | 1 | CORDSCHUKOPOWER SUPPLY C2K |
| 55 | 47201A | 1 | SUPPRESSOR RF 8A IMAGE 14 |
| 57 | 962957 | 2 | SCREW 10 16 X 1/2 HI LO |
| NI | 82100A | 1 | LOCKNUT 1/2 CONDUIT |

Motor 230V, 50Hz

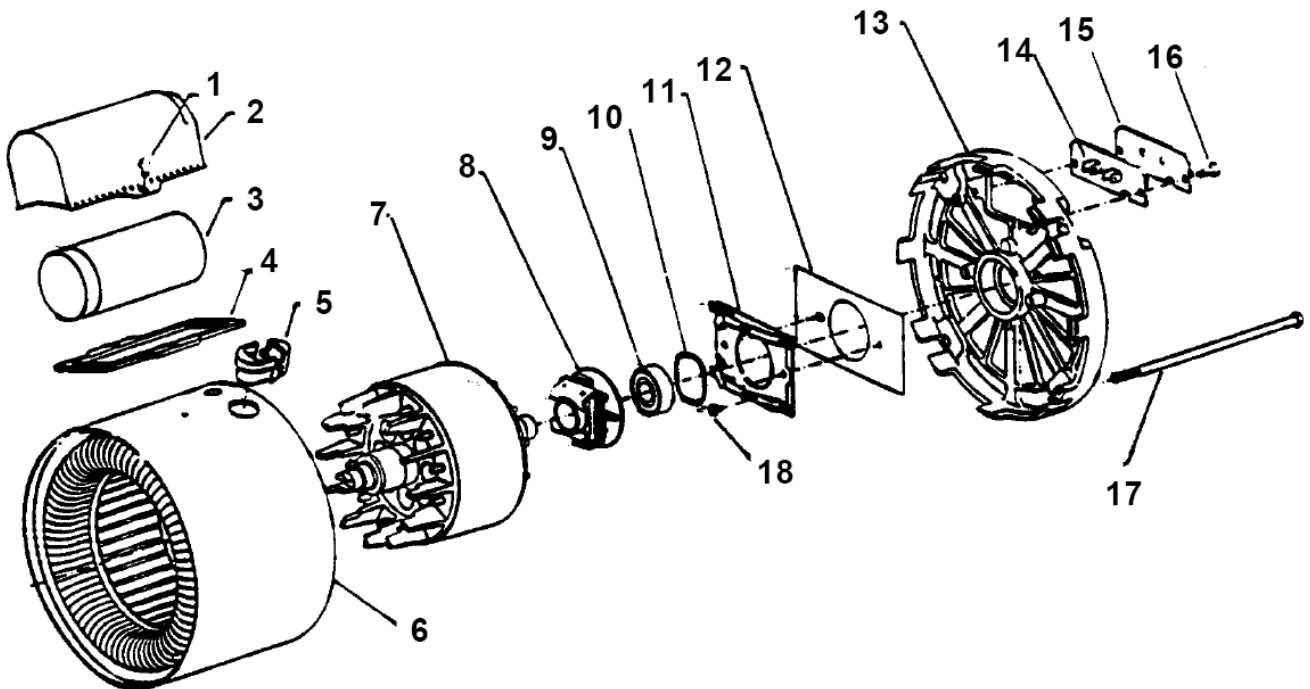
C2K DS VERSION

21-01-2013

Part List ID

C2K06

9



Motor 230V, 50Hz

C2K DS VERSION

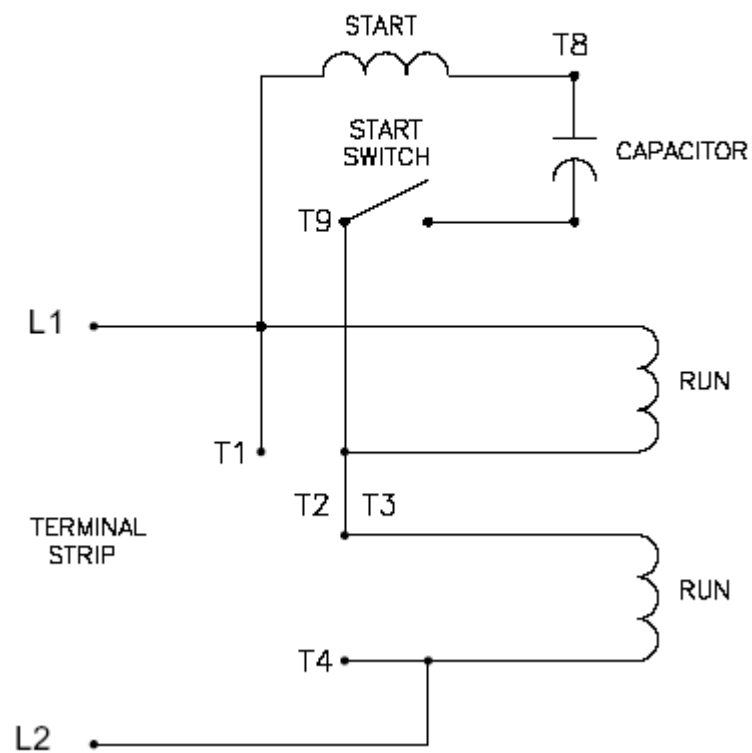
21-01-2013

Part List ID
C2K06

10

| Pos | Part no. | Qty | Description |
|-----|----------|-----|-------------------------------|
| 1 | 85833A | 2 | SCREW MACHINE 10 32 TYPE 23 |
| 2 | 52018A | 1 | CAPACITOR CASE FOR 44635A |
| 3 | 52019A | 1 | START CAPACITOR FOR 44635A |
| 5 | 737502 | 1 | STRAIN RELIEF |
| 7 | 50400A | 1 | ROTOR AND SHAFT ASM. FOR 4463 |
| 8 | 56461A | 1 | SWITCH ASM.CENTRIFUGAL 50HZ V |
| 9 | 902550 | 1 | BEARING BALL 6203 |
| 11 | 58032A | 1 | STATIONARY SWITCH FOR 44635A |
| 13 | 53523A | 1 | ENDSHIELD FOR 44635A |
| 14 | 58911A | 1 | TERMINAL BOARD ASM. FOR 44635 |
| 15 | 58912A | 1 | TERMINAL BOARD FOR 44635A |
| 16 | 58034A | 2 | SCREW 10-32 X .50 LG. FOR 446 |
| 17 | 50691A | 4 | BOLT .250 28 X 6.75 LG. FOR |

230V Motor Electrical Schematic



Motor. Elecrical schematic

C2K DS VERSION

21-01-2013

Part List ID

C2K08

12

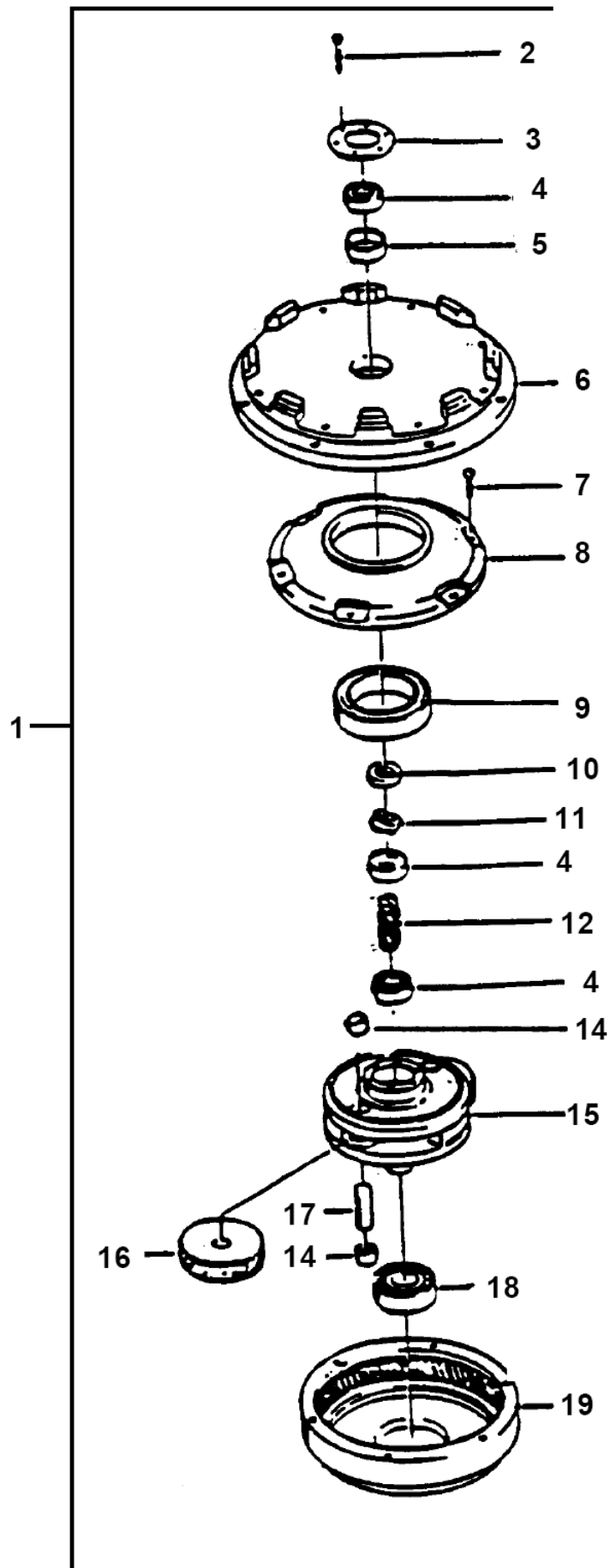
Gearbox

C2K DS VERSION

21-01-2013

Part List ID C2K10

13



Gearbox

C2K DS VERSION

21-01-2013

Part List ID

C2K10

14

| Pos | Part no. | Qty | Description |
|-----|----------|-----|-------------------------------|
| 1 | 54409A | 1 | GEARBOXPOLISHER G/RVP/C LIN |
| 2 | 962966 | 6 | SCREW 10 32 X 1 1/4 SOCKET |
| 3 | 56922A | 1 | PLATERETAINERGEARBOX FOR 45 |
| 4 | 902606 | 3 | BEARING BALL 6002 |
| 5 | 58520A | 1 | SPACERSLEEVEGEARBOX FOR 450 |
| 6 | 53524A | 1 | ENDSHIELD/44635A G/RVP/C LI |
| 7 | 962794 | 6 | SCREW 10 24X1 PN ST PH |
| 8 | 54858A | 1 | HOUSING COVER GEARBOX FOR 450 |
| 9 | 902736 | 1 | BEARINGBALL 6010W/SNAP RING |
| 10 | 58314A | 1 | SHAFT RETAINERGEARBOX FOR 450 |
| 11 | 69195a | 1 | COUPLING |
| 14 | 902737 | 4 | BEARING NEEDLE 1/2X11/16X3/8 |
| 15 | 52020A | 1 | CAGEGEARBOX FOR 45023A 322 |
| 17 | 58312A | 2 | SHAFTPLANETGEARBOX FOR 4502 |
| 18 | 902654 | 1 | BEARING BALL 6204 |

Motor

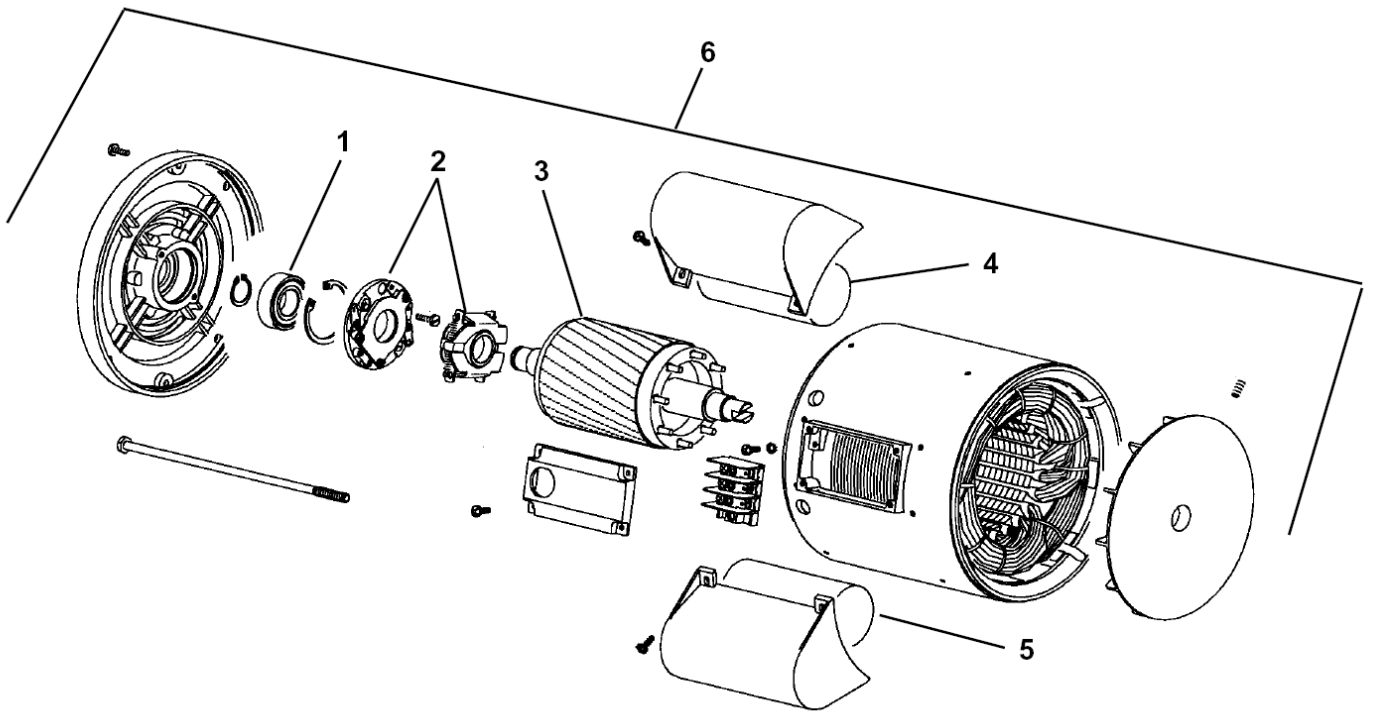
C2K DS VERSION

21-01-2013

Part List ID

C2K12

15



Motor

C2K DS VERSION

21-01-2013

Part List ID
C2K12

16

| Pos | Part no. | Qty | Description | |
|-----|----------|-----|-------------------------------|----------|
| 1 | 50761A | 1 | BLOCKTERMAL STV 20 | (50879A) |
| 1 | 56410183 | 1 | BEARING F.E. | (50880A) |
| 2 | 40153A | 1 | CENT. MECH. SWITCH | (50880A) |
| 2 | 51054A | 1 | CENTRIFUGAL / SWITCH | (50879A) |
| 3 | 40154A | 1 | ROTOR W/ SHAFT | (50880A) |
| 4 | 50862A | 1 | CAPACITORC2K 1.5 ELECTROLYTIC | (50879A) |
| 5 | 40156A | 1 | CAPACITOR RUN | (50880A) |
| 5 | 50863A | 1 | CAPACITOR C2K 1.5HP OIL | (50879A) |
| 6 | 50879C | 1 | MOTOR 1.1KW 50HZ | (50879A) |
| 6 | 50880A | 1 | MOTOR/GEARBOX 1.1kW 230/50 | (50880A) |

Motor. Electrical schematic

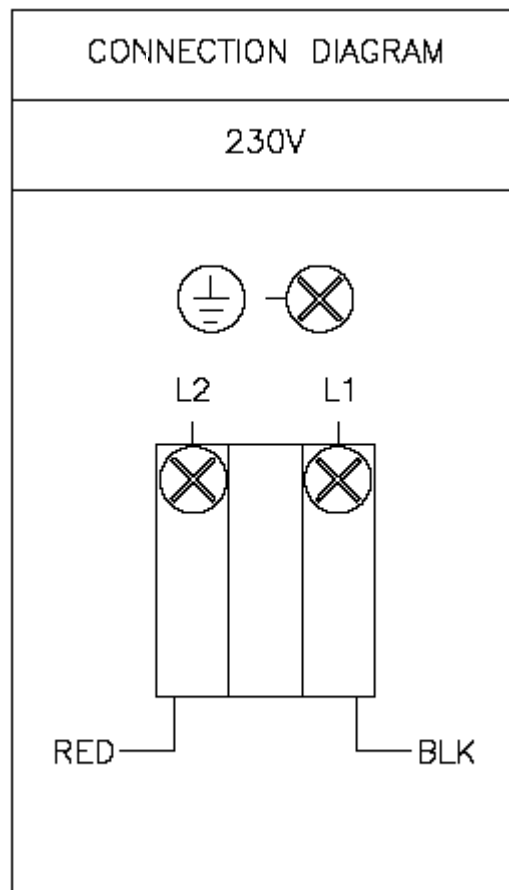
C2K DS VERSION

21-01-2013

Part List ID

C2K14

17



Motor. Electrical schematic

C2K DS VERSION

21-01-2013

Part List ID

C2K14

18

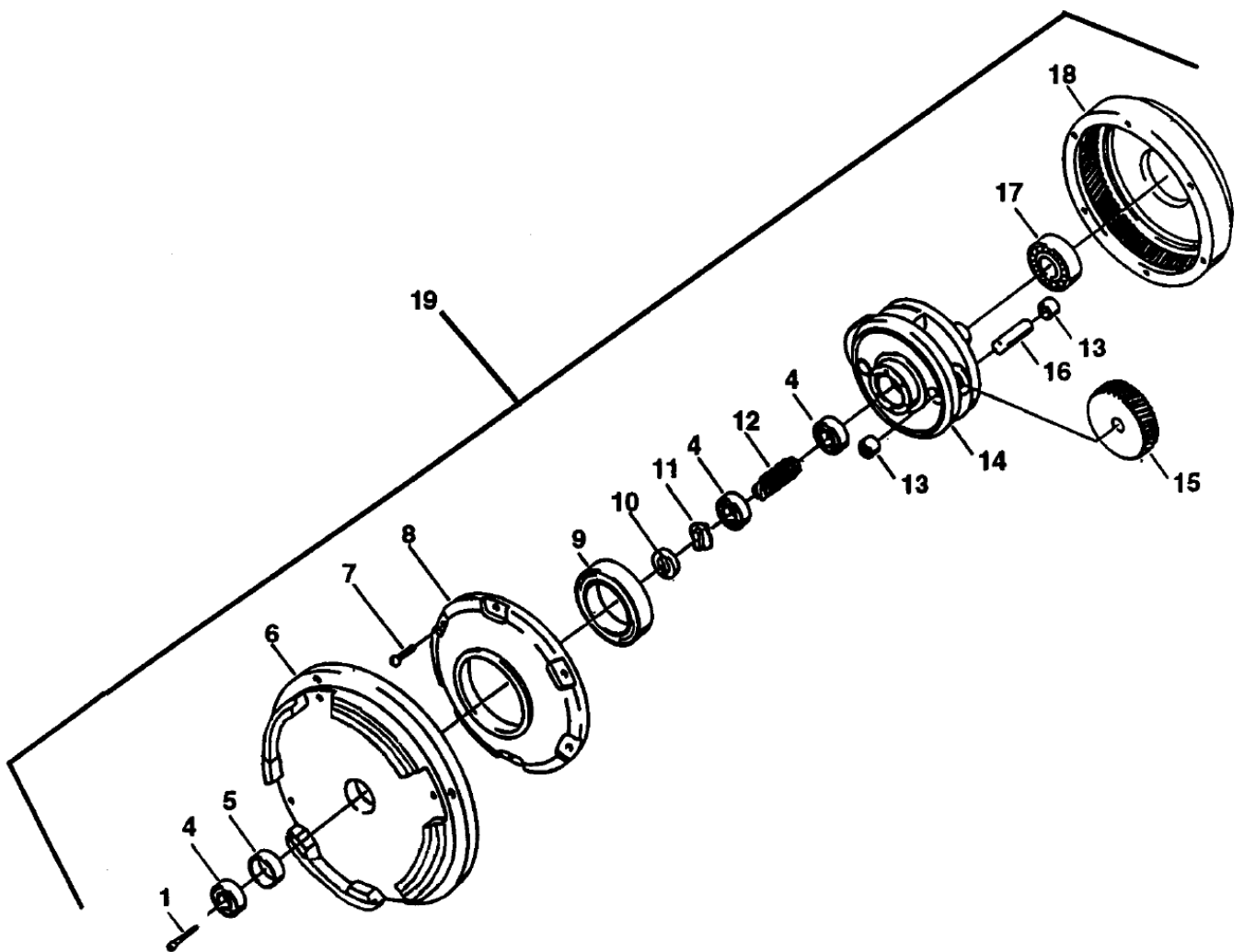
Gearbox

C2K DS VERSION

21-01-2013

Part List ID C2K16

19



Gearbox

C2K DS VERSION

21-01-2013

Part List ID
C2K16

20

| Pos | Part no. | Qty | Description |
|-----|----------|-----|-------------------------------|
| 1 | 962966 | 6 | SCREW 10 32 X 1 1/4 SOCKET |
| 4 | 902606 | 3 | BEARING BALL 6002 |
| 5 | 58520A | 1 | SPACERSLEEVEGEARBOX FOR 450 |
| 6 | 50852A | 1 | FLANGE |
| 7 | 962794 | 6 | SCREW 10 24X1 PN ST PH |
| 8 | 54858A | 1 | HOUSING COVER GEARBOX FOR 450 |
| 9 | 902736 | 1 | BEARINGBALL 6010W/SNAP RING |
| 10 | 58314A | 1 | SHAFT RETAINERGEARBOX FOR 450 |
| 11 | 69195a | 1 | COUPLING |
| 13 | 902737 | 6 | BEARING NEEDLE 1/2X11/16X3/8 |
| 16 | 58312A | 3 | SHAFPLANETGEARBOX FOR 4502 |
| 17 | 902654 | 1 | BEARING BALL 6204 |
| 19 | 50851A | 1 | GEARBOX |

Motor 230V

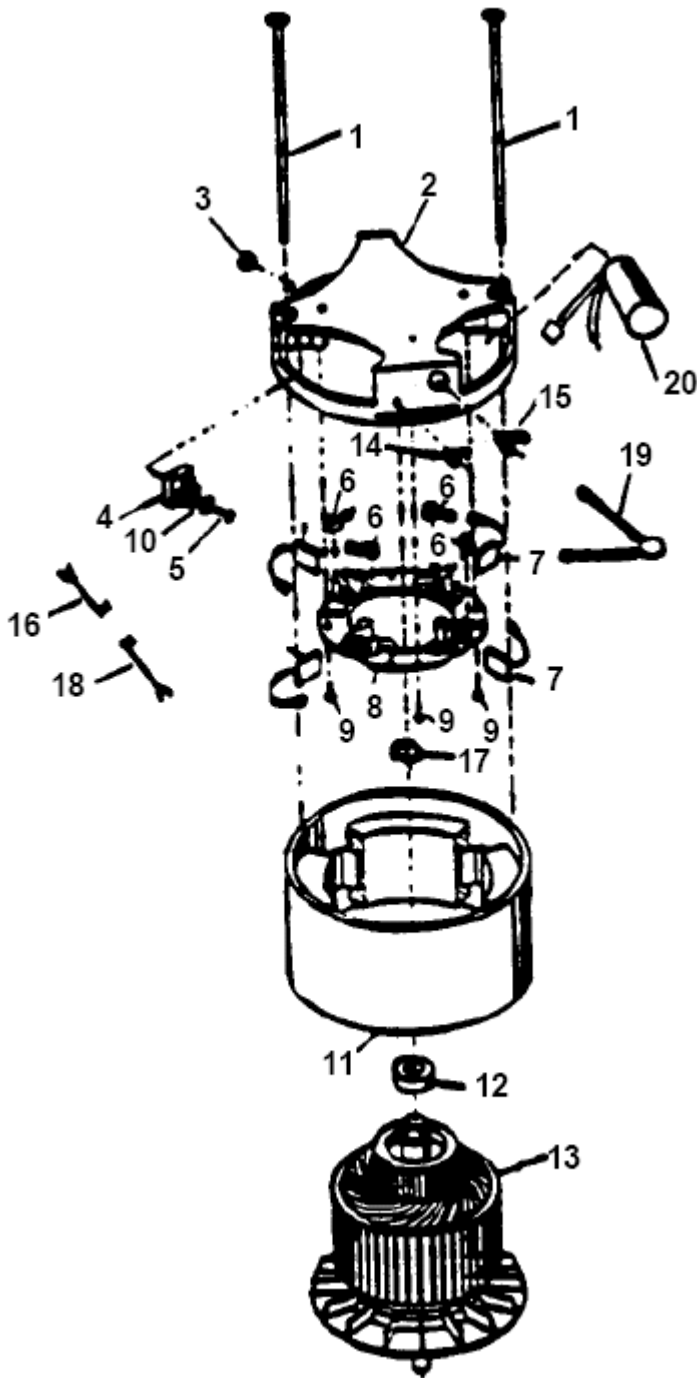
C2K DS VERSION

21-01-2013

Part List ID

C2K18

21



Motor 230V

C2K DS VERSION

21-01-2013

Part List ID
C2K18

22

| Pos | Part no. | Qty | Description |
|-----|----------|-----|-----------------------------|
| 4 | 912287 | 1 | RECTIFIER |
| 6 | 448396 | 4 | SPRING BRUSH 571001 |
| 7 | 40819A | 4 | BRUSHCARBON230V/115V DCR PV |
| 8 | 40411A | 1 | BRUSH BOARD ASM. 230V |
| 9 | 962310 | 4 | SCR 10 24X 1/2 OV P ST MACH |
| 10 | 980608 | 1 | WASHER FLT 6 PLAIN |
| 12 | 902550 | 1 | BEARING BALL 6203 |
| 16 | 55648A | 1 | LEADRED PV BURN |
| 17 | 980076 | 1 | WASHER HELICAL |
| 18 | 55647A | 1 | LEADYELLOW PV BURN |
| 19 | 59607A | 1 | VARISTOR 230V PV BURN |
| 20 | 46736A | 1 | SPEED CONTROL ASM. 230V |
| 21 | 44653A | 1 | MOTOR/GEARBOX 230V VP-20DS |

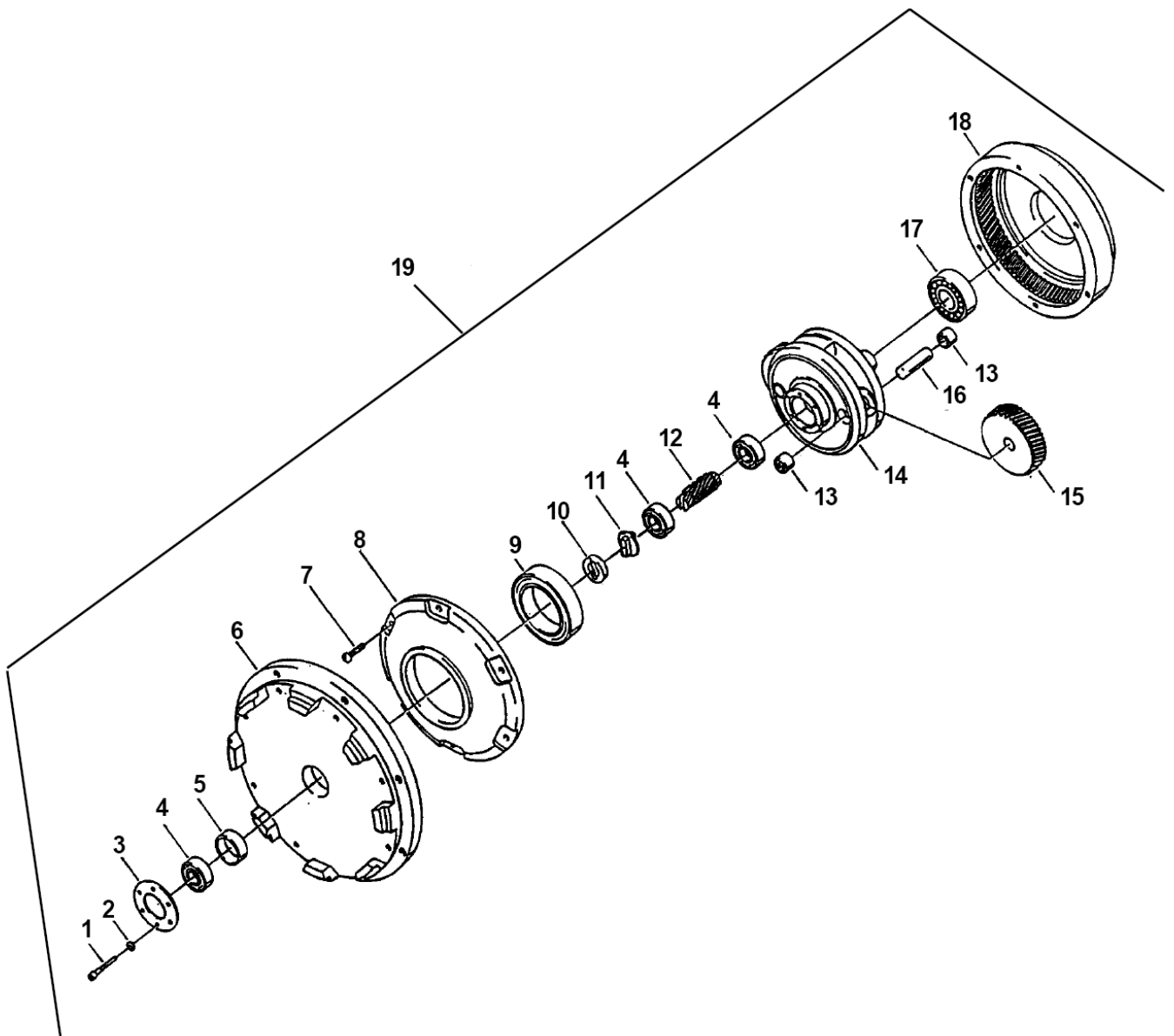
Gearbox

C2K DS VERSION

21-01-2013

Part List ID C2K20

23



Gearbox

C2K DS VERSION

21-01-2013

Part List ID
C2K20

24

| Pos | Part no. | Qty | Description |
|-----|----------|-----|-------------------------------|
| 1 | 962966 | 6 | SCREW 10 32 X 1 1/4 SOCKET |
| 3 | 56922A | 1 | PLATERETAINERGEARBOX FOR 45 |
| 4 | 902606 | 3 | BEARING BALL 6002 |
| 5 | 58520A | 1 | SPACERSLEEVEGEARBOX FOR 450 |
| 7 | 962794 | 6 | SCREW 10 24X1 PN ST PH |
| 8 | 54858A | 1 | HOUSING COVER GEARBOX FOR 450 |
| 9 | 902736 | 1 | BEARINGBALL 6010W/SNAP RING |
| 10 | 58314A | 1 | SHAFT RETAINERGEARBOX FOR 450 |
| 11 | 69195a | 1 | COUPLING |
| 13 | 902737 | 6 | BEARING NEEDLE 1/2X11/16X3/8 |
| 16 | 58312A | 3 | SHAFTPLANETGEARBOX FOR 4502 |
| 17 | 902654 | 1 | BEARING BALL 6204 |

Wiring diagram 230V - 50Hz

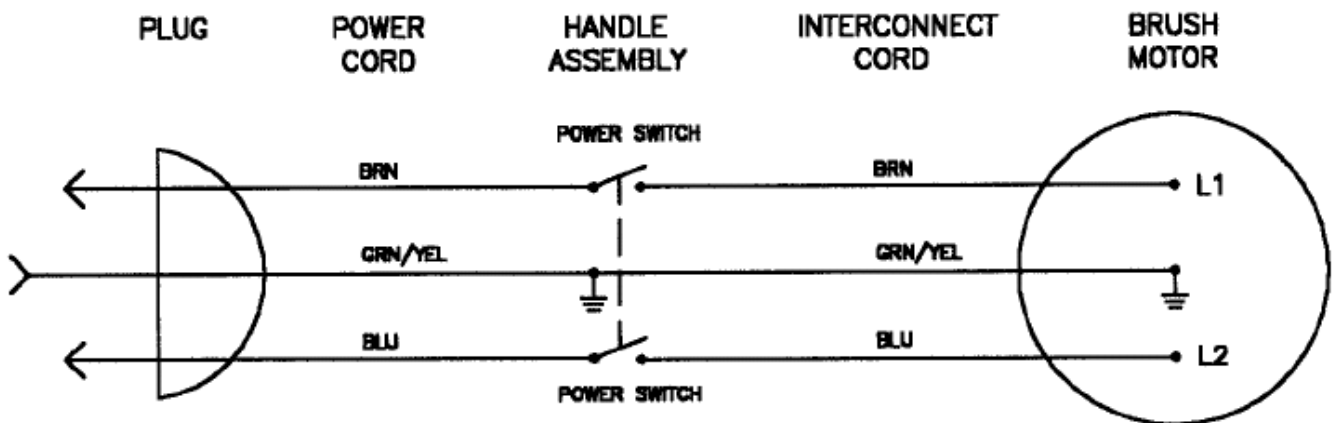
C2K DS VERSION

21-01-2013

Part List ID

C2K22

25



Wiring diagram 230V - 50Hz

C2K DS VERSION

21-01-2013

Part List ID

C2KZZ

26

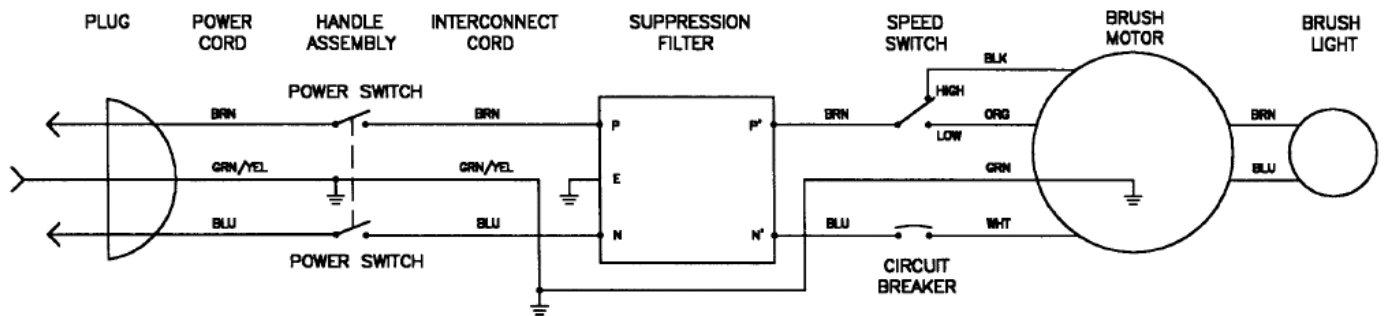
Wiring diagram 230V

C2K DS VERSION

21-01-2013

Part List ID C2K24

27



Wiring diagram 230V

C2K DS VERSION

21-01-2013

Part List ID C2K24

28