

# COMPACT BOOSTER

---

Model:  
COMPACT BOOSTER



Stückliste Deutsch

25-01-2013

**Nilfisk**  
**ALTO**  
works for you

[www.nilfisk-alto.com](http://www.nilfisk-alto.com)

[Ersatzteile auf www.gluesing.net](http://www.gluesing.net)

# Inhalt

## COMPACT BOOSTER

|                                  |           |
|----------------------------------|-----------|
| <b>Chassis and float chamber</b> | <b>3</b>  |
| <b>Schaltkasten</b>              | <b>6</b>  |
| <b>Motor</b>                     | <b>8</b>  |
| <b>Motorpumpeneinheit</b>        | <b>10</b> |
| <b>By-Pass-Ventil</b>            | <b>13</b> |

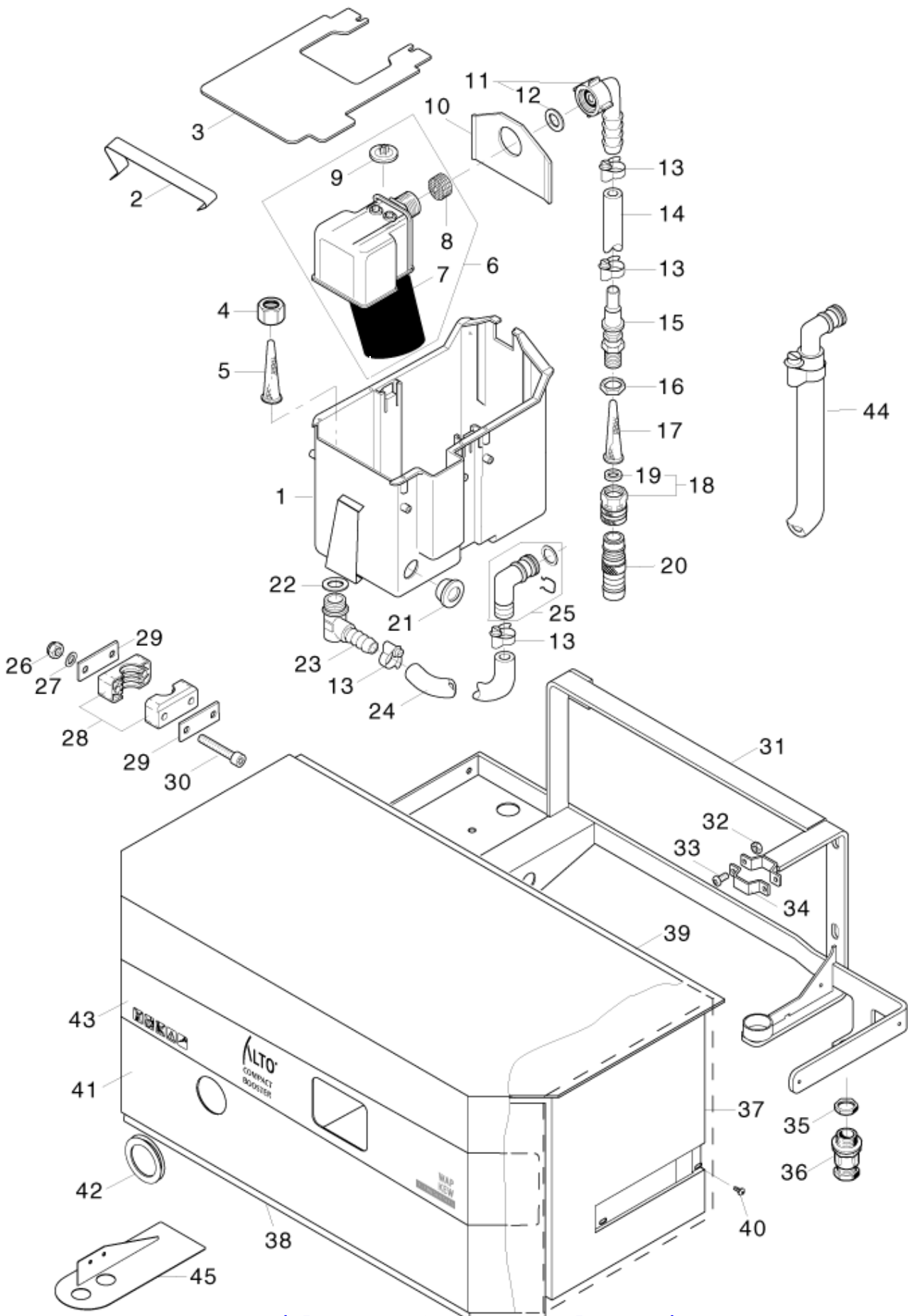
# Chassis and float chamber

COMPACT BOOSTER

25-01-2013

ET-Liste-Nr.  
COMPACTB02

3



Ersatzteile auf [www.gluesing.net](http://www.gluesing.net)

# Chassis and float chamber

## COMPACT BOOSTER

25-01-2013

ET-Liste-Nr.  
COMPACT BOOSTER

4

| Pos | Artikelnr. | Me | Beschreibung                             |                  |
|-----|------------|----|--|------------------|
| 1   | 7350195    | 1  | Wasserkasten bearbeitet 250x150x216 PP   |                  |
| 2   | 107350219  | 1  | Befestigung für Abdeck- haube            |                  |
| 3   | 107350217  | 1  | Abdeckhaube                              |                  |
| 4   | 107350218  | 1  | Überwurfmutter R1/2" St                  |                  |
| 5   | 101609342  | 1  | Filtersieb (Saugseite)                   |                  |
| 6   | 63349      | 1  | Schwimmerventil m.Schaumschwimmer v.orn. |                  |
| 7   | 62877      | 1  | Schwimmer Ø55x60                         |                  |
| 8   | 34225      | 1  | Schmutzfilter                            |                  |
| 9   | 62878      | 1  | Membrane                                 |                  |
| 10  | 54700      | 1  | Blech 1,0x96x63                          |                  |
| 11  | 5613       | 1  | CW Schlauchtülle °13 90Ø üM 3/4 Ku       |                  |
| 12  | 15587      | 1  | Dichtring 14x24x2                        |                  |
| 13  | 8298       | 4  | CW Schlauchschelle SGL 16 -27            |                  |
| 14  | 5206230    | 1  | Schlauch Meterware ø16/Ø2 6 schw. 12bar  | L=200 * SEE NOTE |
| 15  | 6100937    | 1  | Filtergehäuse                            |                  |
| 16  | 1800341    | 1  | Gegenmutter 3/4"                         |                  |
| 17  | 6100941    | 1  | Filter                                   |                  |
| 18  | 1602945    | 1  | Kupplung kpl. 3/4" Wasserzulauf          |                  |
| 19  | 3001237    | 1  | Dichtring 24,5x16x3                      |                  |
| 20  | 1600659    | 1  | Nippel, Schnellkupplung                  |                  |
| 21  | 63539      | 1  | Stopfen Ø36x18 f. Wasservorlaufbehälter  |                  |
| 22  | 3449       | 1  | CW Dichtring 21,0x 30,0x 2               |                  |
| 23  | 3448       | 1  | SHL-Tuelle-W DN13G1/2 K U                |                  |
| 24  | 5206230    | 1  | Schlauch Meterware ø16/Ø2 6 schw. 12bar  | L=200 * SEE NOTE |
| 25  | 1119210    | 1  | Reparaturatz Einlasswinkel               |                  |
| 26  | 1805399    | 2  | Mutter M6 DIN 985 A2                     |                  |
| 27  | 1813807    | 2  | Scheibe M6                               |                  |
| 28  | 4808832    | 1  | Rohrschelle                              |                  |
| 29  | 4808229    | 2  | CLAMPING PLATE                           |                  |
| 30  | 1814634    | 2  | Schraube M6 x 50                         |                  |
| 31  | 107350906  | 1  | REAR FRAME                               |                  |
| 32  | 1805399    | 2  | Mutter M6 DIN 985 A2                     |                  |
| 33  | 1814375    | 2  | Schraube RF, M6x12                       |                  |
| 34  | 107350190  | 1  | STRAP BOOSTER                            |                  |
| 35  | 103821778  | 1  | NUT M20X1.5                              |                  |
| 36  | 103821785  | 1  | Kabelverschraubung                       |                  |
| 37  | 7350191    | 1  | SOUND INSULATION                         |                  |
| 38  | 107350215  | 1  | SOUND INSULATION FRONT                   |                  |
| 39  | 107350216  | 1  | SOUND INSULATION TOP                     |                  |
| 40  | 1804475    | 4  | SCREW M5X12 ISO 14583-A2 TORX            |                  |
| 41  | 7350184    | 1  | Haube geschweißt "COMPACT BOOSTER" VA    |                  |
| 42  | 103004331  | 1  | SLEEVE PVC 45/ 60                        |                  |
| 43  | 7350200    | 1  | Klebesch. "ALTO COMPACT BOOSTER WAP/KEW" | COMPACT BOOSTER  |

\* NOTE: Pls. indicate required length when ordering

[Ersatzteile auf www.gluesing.net](http://www.gluesing.net)

# Chassis and float chamber

## COMPACT BOOSTER

25-01-2013

ET-Liste-Nr.  
COMPACTBUZ

5

| Pos | Artikelnr. | Me | Beschreibung                                      |
|-----|------------|----|---|
| 43  | 7350201    | 1  | LABEL COMPACT BOOSTER USA<br>COMPACT BOOSTER, USA |
| 44  | 107350911  | 1  | HOSE WITH ELBOW                                   |
| 45  | 107350222  | 1  | COVER FOR CAPACITOR                               |

\* NOTE: Pls. indicate required length when ordering

Ersatzteile auf [www.gluesing.net](http://www.gluesing.net)

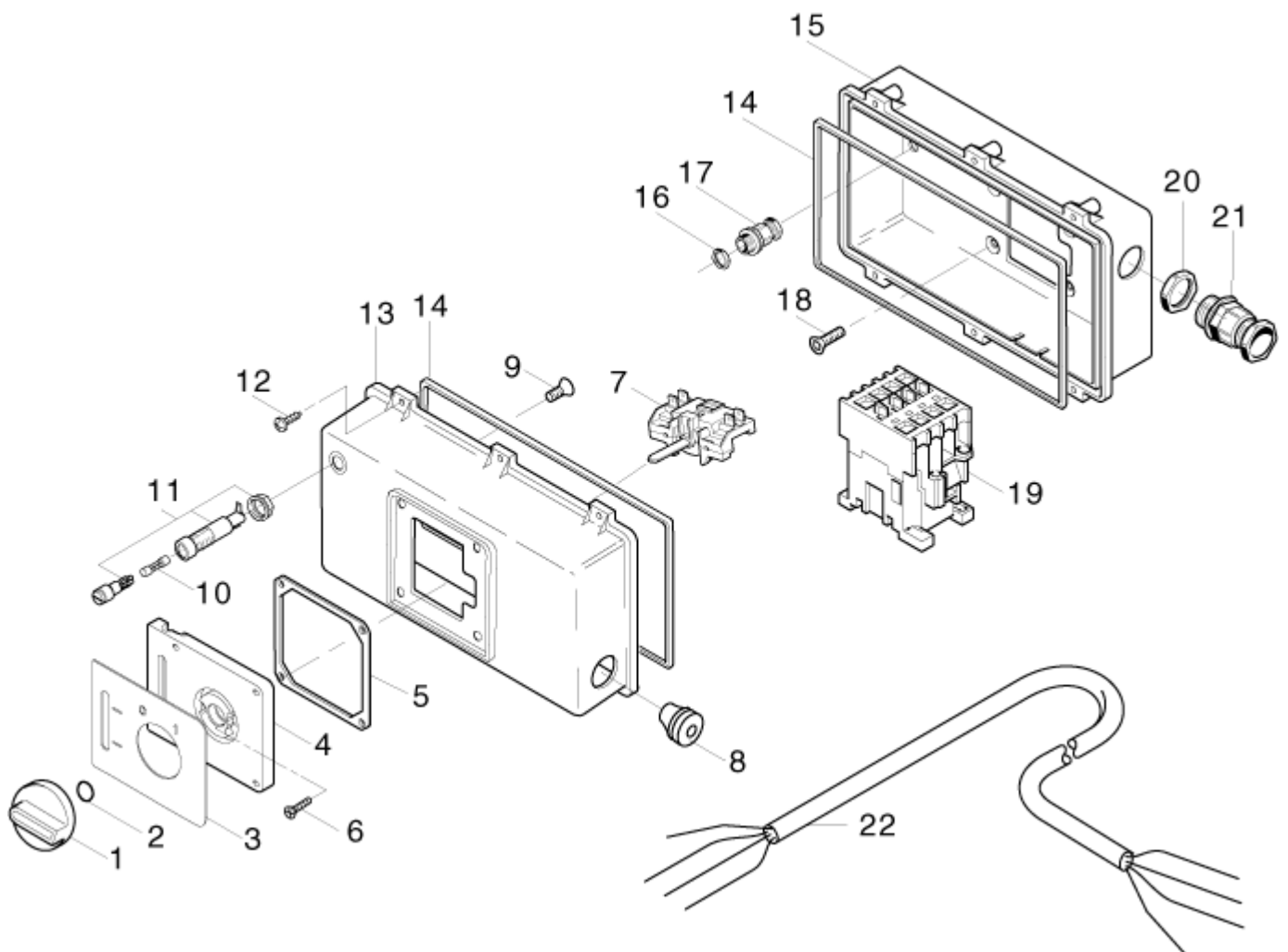
# Schaltkasten

## COMPACT BOOSTER

25-01-2013

ET-Liste-Nr.  
COMPACTB04

6



# Schaltkasten

## COMPACT BOOSTER

25-01-2013

ET-Liste-Nr.  
COMPACT BOOSTER

7

| Pos | Artikelnr. | Me | Beschreibung                              |  |
|-----|------------|----|---|--|
| 1   | 243611     | 1  | Drehknopf                                 |  |
| 2   | 9868       | 1  | O-Ring Ø10x2,5                            |  |
| 3   | 7350187    | 1  | LABEL F. START/STOP                       |  |
| 4   | 7350186    | 1  | SUPPORT                                   |  |
| 5   | 301000018  | 1  | Dichtung f. Klemmkasten " Triton 730" Gum |  |
| 6   | 18274      | 2  | Senkschraube M4x12                        |  |
| 7   | 29931      | 1  | Schalter Dreh- 4kW 16A 2 -pol. Ein/Aus    |  |
| 8   | 3803772    | 1  | Kabeltülle 7-10C                          |  |
| 10  | 3808250    | 1  | Sicherung                                 | 1,25 A 250V  |
| 11  | 103821787  | 1  | Sicherungshalter 5x20 I P67 schwarz Ku    |  |
| 12  | 16861      | 6  | Schraube 4x20                             |  |
| 13  | 7350193    | 1  | CONNECTION BOX TOP                        |  |
| 14  | 107350214  | 2  | GASKET                                    |  |
| 15  | 63469      | 1  | Schaltkastenunterteil Wap 2200-3300 PA    |  |
| 16  | 103821789  | 1  | NUT M12X1.5 PA                            |  |
| 17  | 103821788  | 1  | CABLE BUSHING                             |  |
| 18  | 30346      | 4  | SHR SENK- M5X 12 DIN 965 A2               |  |
| 19  | 103822303  | 1  | Schütz CJX2-D18-V7 400V                   | AB. 16A 400V 50-60HZ                               |
| 19  | 103822309  | 1  | Schütz CJX2-D25-P7 230V                   | AB. 23A 220-240 V 50-60HZ                          |
| 19  | 103822311  | 1  | Schütz CJX2-D25-F7 110V                   | AB. 23A 110-115V 50-60HZ                           |
| 20  | 103821778  | 1  | NUT M20X1.5                               |  |
| 21  | 103821785  | 1  | Kabelverschraubung                        |  |
| 22  | 107350320  | 1  | EL-CABLE 4G1.5 - 3PHASE EU                | * SEE NOTE   |
| 22  | 107350321  | 1  | EL-CABLE 4G1.5 - 1PHASE EU                | D,A,B,E,F,I,N,NL,F (1X230V,50HZ) -GB,SGP,AUS(1X240 |
| 22  | 107350322  | 1  | EL-CABLE 4G2.5 3PHASE 3X230V50            | (3X230V, 50HZ)                                     |
| 22  | 3819860    | 1  | EL. CABLE W/GFCI 20A - 220V               | USA 20A - 220V                                     |
| 22  | 3819861    | 1  | EL. CABLE W/GFCI 20A - 115V               | USA 20A - 115V                                     |

\* NOTE: DK,S,NL,F,D,CH,A,U,B,I,E,N,SF(3X400V, 50HZ) -GB,U,SGP,AUS(3X415-440V,50HZ)

Ersatzteile auf [www.gluesing.net](http://www.gluesing.net)

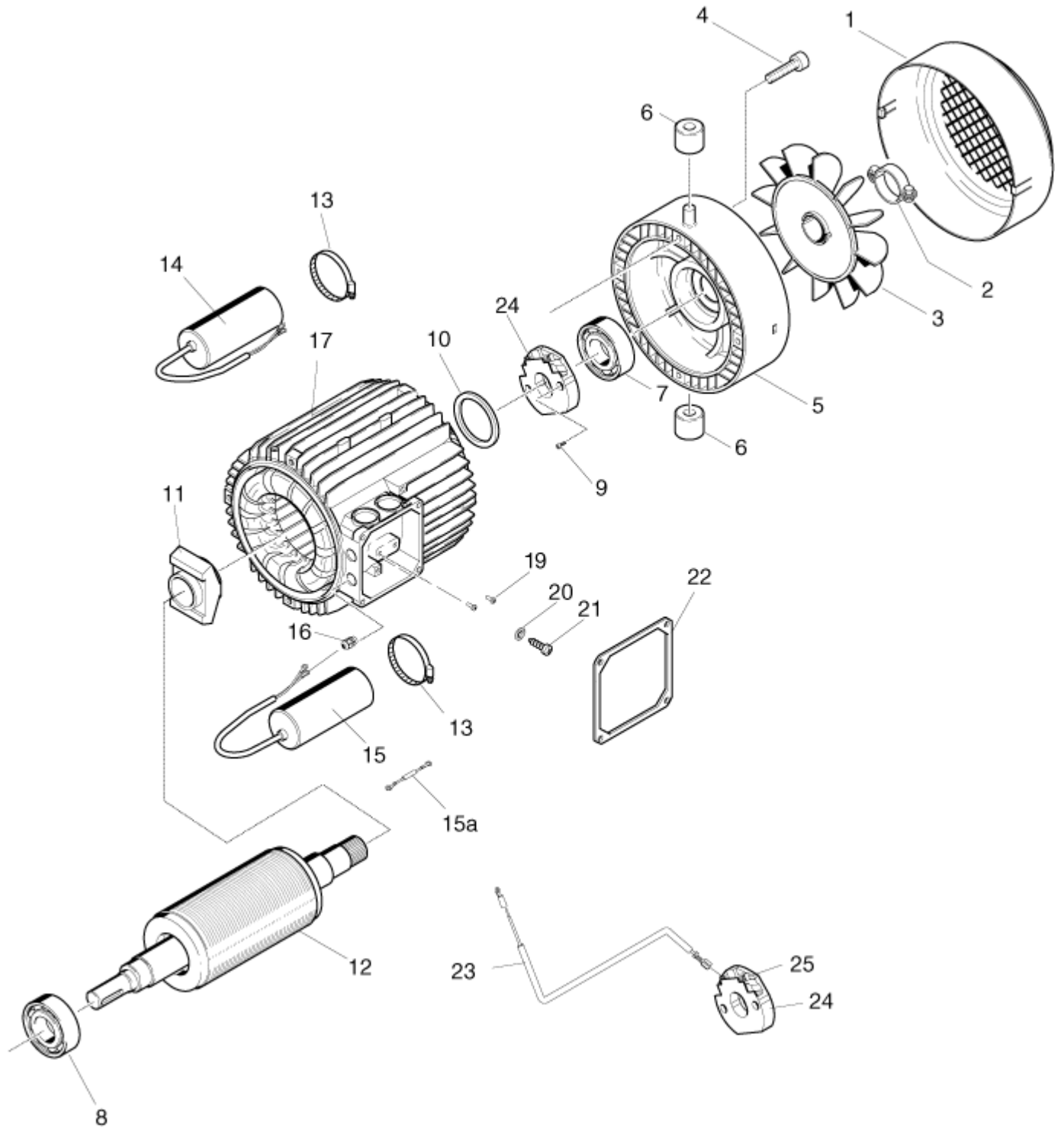
# Motor

## COMPACT BOOSTER

25-01-2013

ET-Liste-Nr.  
COMPACTB06

8





# Motor

## COMPACT BOOSTER

25-01-2013

ET-Liste-Nr.  
COMPACT BOOSTER

9

| Pos | Artikelnr. | Me | Beschreibung                              |                              |
|-----|------------|----|---|------------------------------|
| 1   | 61063      | 1  | Luefterhaube                              |                              |
| 2   | 61572      | 1  | Klemmbuegel                               |                              |
| 3   | 106183089  | 1  | Lüfterrad v orm. Triton                   | 1~                           |
| 3   | 61062      | 1  | Luefterrad                                | 3~                           |
| 5   | 106183085  | 1  | N-Lagerdeckel                             | 1~                           |
| 5   | 61061      | 1  | Lagerdeckel                               | 3~                           |
| 6   | 26608      | 2  | Buchse D30x20 Gum/ST                      |                              |
| 7   | 40918      | 1  | Rillenkugellager 6206-2R S                | 3~                           |
| 7   | 9934       | 1  | Wälzlager 6205-2Z                         | 1~                           |
| 8   | 40918      | 1  | Rillenkugellager 6206-2R S                |                              |
| 10  | 106183099  | 1  | Distanzring für Lager                     |                              |
| 11  | 106183090  | 1  | SWITCH ROTARY PARTS                       |                              |
| 12  | 106183084  | 1  | ROTOR 2.2KW                               | 1~                           |
| 12  | 106183097  | 1  | ROTOR 3.0KW                               | (USA) 1~                     |
| 12  | 6183067    | 1  | Rotor für Motor 4,8kW " Triton"           | 3~                           |
| 13  | 1810332    | 2  | Schlauchschelle                           |                              |
| 14  | 103821892  | 1  | Betriebskondensator 50µF                  | RUN 1X230-240V, 50HZ 50 ÄF   |
| 14  | 106183091  | 1  | Kondensator 60µf f. Triton                | RUN 1X220V, 60HZ 60 ÄF       |
| 14  | 106183098  | 1  | Betriebskondensator 120µF "TRITON 1104"   | RUN 1X115V, 60HZ 120 ÄF      |
| 15  | 103821893  | 1  | Kondensator 70µF                          | START 1X230-240V, 50HZ       |
| 15  | 106183063  | 1  | Kondensator 85µF f. Triton                | START 1X220V, 60HZ 85 ÄF     |
| 15  | 106183064  | 1  | Kondensator 250µF f. Triton               | START 1X115V, 60HZ 250 ÄF    |
| 16  | 103821788  | 2  | CABLE BUSHING                             |                              |
| 17  | 106183072  | 1  | Stator 115V/1/60Hz                        | 1X115V 60HZ                  |
| 17  | 106183086  | 1  | STATOR 1X220V 60HZ                        | 3.0KW 1X220V 60HZ            |
| 17  | 106183087  | 1  | Stator 1x230-240V/50Hz                    | 1X230-240 V - 50 HZ          |
| 17  | 6183073    | 1  | Stator Motor 4,8kW 230/4 00/415V 3~ 50Hz  | 3X230V/400V, 3X415V - 50 HZ  |
| 17  | 6183074    | 1  | Stator Motor 4,8kW 200/2 20/440V 3~       | 3X200V, 3X220/440V - 50/60HZ |
| 19  | 1800606    | 2  | SCREW CROSS M4X10 FZB DIN7985             |                              |
| 20  | 1810308    | 1  | Sternscheibe M4 in, Verza hn,             |                              |
| 21  | 1800606    | 1  | SCREW CROSS M4X10 FZB DIN7985             |                              |
| 22  | 301000018  | 1  | Dichtung f. Klemmkasten " Triton 730" Gum |                              |
| 23  | 106183095  | 1  | WIRE 1PH VOSSELER                         |                              |
| 24  | 106183093  | 1  | Rep, Satz Schalter f. Triton              |                              |
| 25  | 106183094  | 1  | TAP FASTENER                              |                              |
| 15A | 103821894  | 1  | RESISTANCE                                | 1X230-240V, 50HZ             |

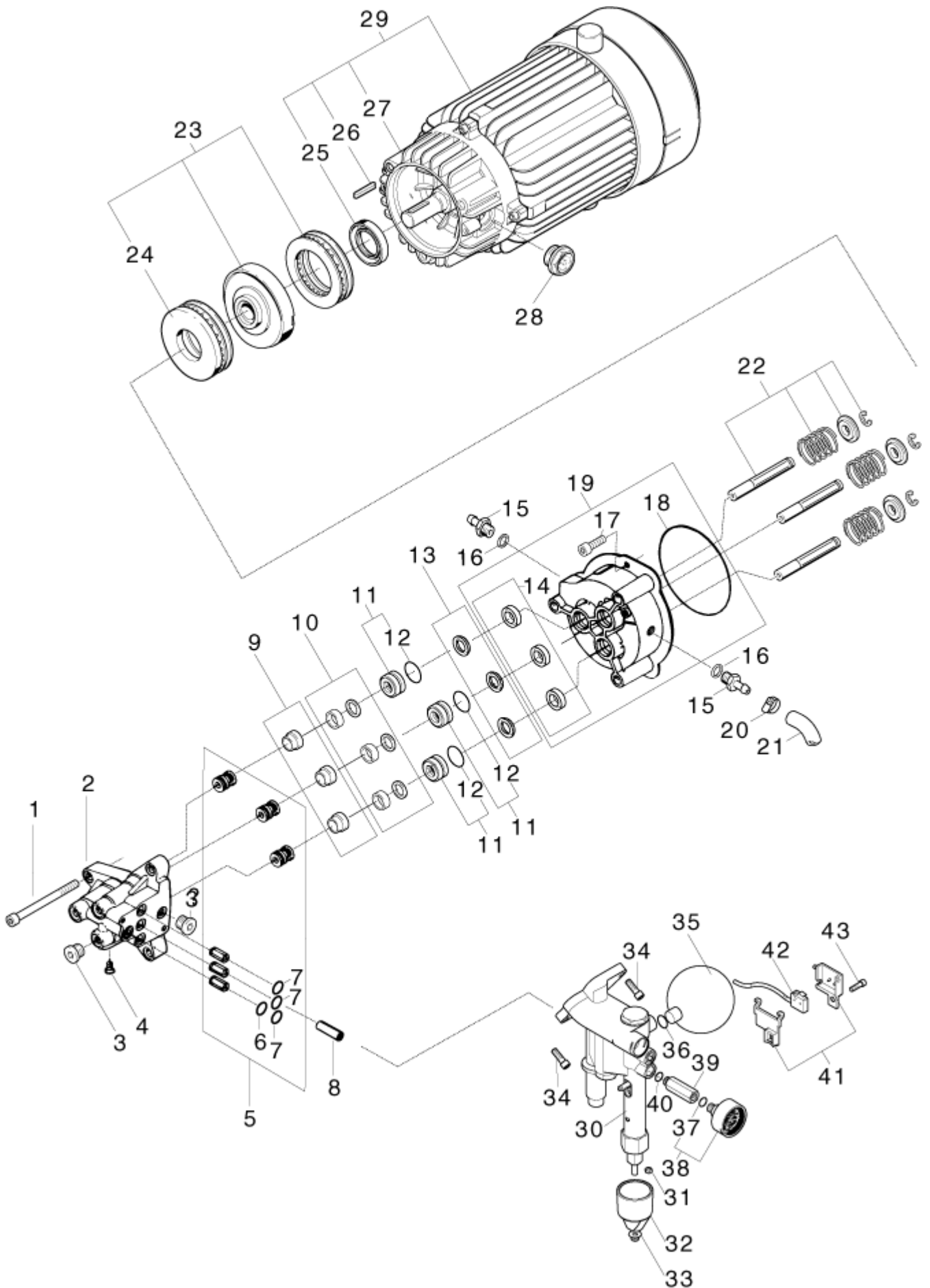
# Motorpumpeneinheit

COMPACT BOOSTER

25-01-2013

ET-Liste-Nr.  
COMPACTB08

10



Ersatzteile auf [www.gluesing.net](http://www.gluesing.net)

# Motorpumpeneinheit

## COMPACT BOOSTER

25-01-2013

ET-Liste-Nr.  
COMPACT BOOSTER

11

| Pos | Artikelnr. | Me | Beschreibung                                    |                                |
|-----|------------|----|---|--------------------------------|
| 1   | 1813393    | 3  | Schraube M10 x100 8.8 DIN 912 St-Zn             |                                |
| 2   | 6187132    | 1  | Zylinderkopf                                    |                                |
| 3   | 6180906    | 4  | Verschlussschraube G1/4                         |                                |
| 4   | 6122313    | 1  | Pfropfen mit O-Ring                             |                                |
| 5   | 1119209    | 1  | Reparaturset Ventilsystem (6 Ventile)           |                                |
| 6   | 3001807    | 1  | O-Ring 15,0 x 1,5 DIN 3770 NBR70                |                                |
| 7   | 3001070    | 3  | O-Ring 13,1 x 1,6 SMS 1586 NBR90                |                                |
| 8   | 6120624    | 1  | Distanzhülse                                    |                                |
| 9   | 6183050    | 1  | Distanzstück f. Triton VPE 3 Stk.               |                                |
| 10  | 1119212    | 1  | Reparaturset Stützring 3 Stück                  |                                |
| 11  | 6180910    | 1  | Druckring kompl.                                |                                |
| 12  | 3004009    | 3  | O-Ring 30,0 X 2,0 DIN 3770 NBR70                |                                |
| 13  | 6183051    | 1  | Distanzstück f. Triton VPE3                     |                                |
| 14  | 1117642    | 1  | U-Manschette 3 Stück                            |                                |
| 15  | 6180668    | 2  | HOSE TAIL                                       |                                |
| 16  | 3004318    | 2  | Dichtring 14x20x1,5 -A- DIN 7603 CU             |                                |
| 17  | 1814573    | 2  | Schraube M6 x 35 12.9 DIN 912 St-zn             |                                |
| 18  | 3003886    | 1  | O-Ring 120,4 X 1,78 ARP AS 568 A NBR70          |                                |
| 19  | 6183052    | 1  | Zylinderblock kpl. Triton                       |                                |
| 20  | 1814029    | 2  | Schlauchschele ø9,65-11, 17x 5,0 PA6.6          |                                |
| 21  | 5206040    | 1  | Schlauch L1200                                  | L=640 * SEE NOTE               |
| 22  | 1119201    | 3  | Rep.satz keramis.Druckkolben                    | 1~                             |
| 22  | 1119202    | 3  | Reparaturset fuer Keramikk-Kolben               | 3~                             |
| 23  | 106183082  | 1  | Rep. Satz Taumelscheibe D X 845W 230-240V       | 1X230-240V 50HZ                |
| 23  | 106183150  | 1  | WOBBLE DISC/BEARING 1X220V KIT                  | 1X220V, 60HZ                   |
| 23  | 106183151  | 1  | WOBBLE DISC/BEARING 1X115V KIT                  | 1X115V, 60HZ                   |
| 23  | 6183056    | 1  | Rep.Satz Taumelscheibe/Lager Triton 1000        | 50HZ                           |
| 24  | 6182479    | 1  | Lagerscheibe                                    |                                |
| 25  | 6182935    | 1  | Wellendichtring A 20x 35 x 7 DIN3760            |                                |
| 26  | 3202512    | 1  | Paßfeder 6x6x25 DIN 6 885 A St                  |                                |
| 27  | 6184654    | 1  | Lagerdeckel A 2,2kW "Triton" (Lager-ø62)        |                                |
| 28  | 2202513    | 1  | Ölschauglas 1/2 (ERS. f. Nr.102202521)          |                                |
| 29  | 6182953    | 1  | ELEC. MOTOR W. KEY                              | 1X115V 60HZ                    |
| 29  | 6182954    | 1  | Motor 4,8kW 230/400V/3~5 0Hz-415V/3~/50         | 4.8KW 3X230/400V - 3X415V 50HZ |
| 29  | 6182956    | 1  | EL.MOTOR W. KEY 1X220V 60HZ                     | 3.0KW 1X220V 60HZ              |
| 29  | 6182957    | 1  | Elektromotor m. Federkeil 2,2kW 1x230-240V 50Hz | 2.2KW 1X230-240V 50HZ          |
| 30  |            | 1  | USE LINK  | By-pass valve                  |
| 31  | 2759       | 1  | CW Sechskantmutter M4 ISO 4032 -8 zn            |                                |
| 32  | 62397      | 1  | Drehknopf (enthält 62701 u. 62699 )             |                                |
| 33  | 62397      | 1  | Drehknopf (enthält 62701 u. 62699 )             |                                |
| 34  | 1803337    | 2  | Zylinderschraube M8x 25                         |                                |
| 35  | 63090      | 1  | Hydrospeicher 0,14 250bar                       |                                |
| 36  | 3003860    | 1  | O-Ring 13,95X 2,62 ARP AS568A NBR70             |                                |

\* NOTE: Pls. indicate required length when ordering

Ersatzteile auf [www.gluesing.net](http://www.gluesing.net)

# Motorpumpeneinheit

## COMPACT BOOSTER

25-01-2013

ET-Liste-Nr.  
COMPACT BOOSTER

12

| Pos | Artikelnr. | Me | Beschreibung                     |
|-----|------------|----|----------------------------------|
| 37  | 3003662    | 1  | O-Ring 6,0 X 2,0 DIN 3 770 NBR70 |
| 38  | 7180931    | 1  | Manometer m. O-Ring              |
| 39  | 107350199  | 1  | Muffennippel                     |
| 40  | 3000460    | 1  | O-Ring 11,0 X 2,0 DIN 3770 NBR70 |
| 41  | 62401      | 1  | Halter (Ers. für 6182937)        |
| 42  | 107350340  | 1  | Microschalter "COMPACT BOOSTER"  |
| 43  | 1814602    | 1  | SCREW M5X16 SS                   |

\* NOTE: Pls. indicate required length when ordering

Ersatzteile auf [www.gluesing.net](http://www.gluesing.net)

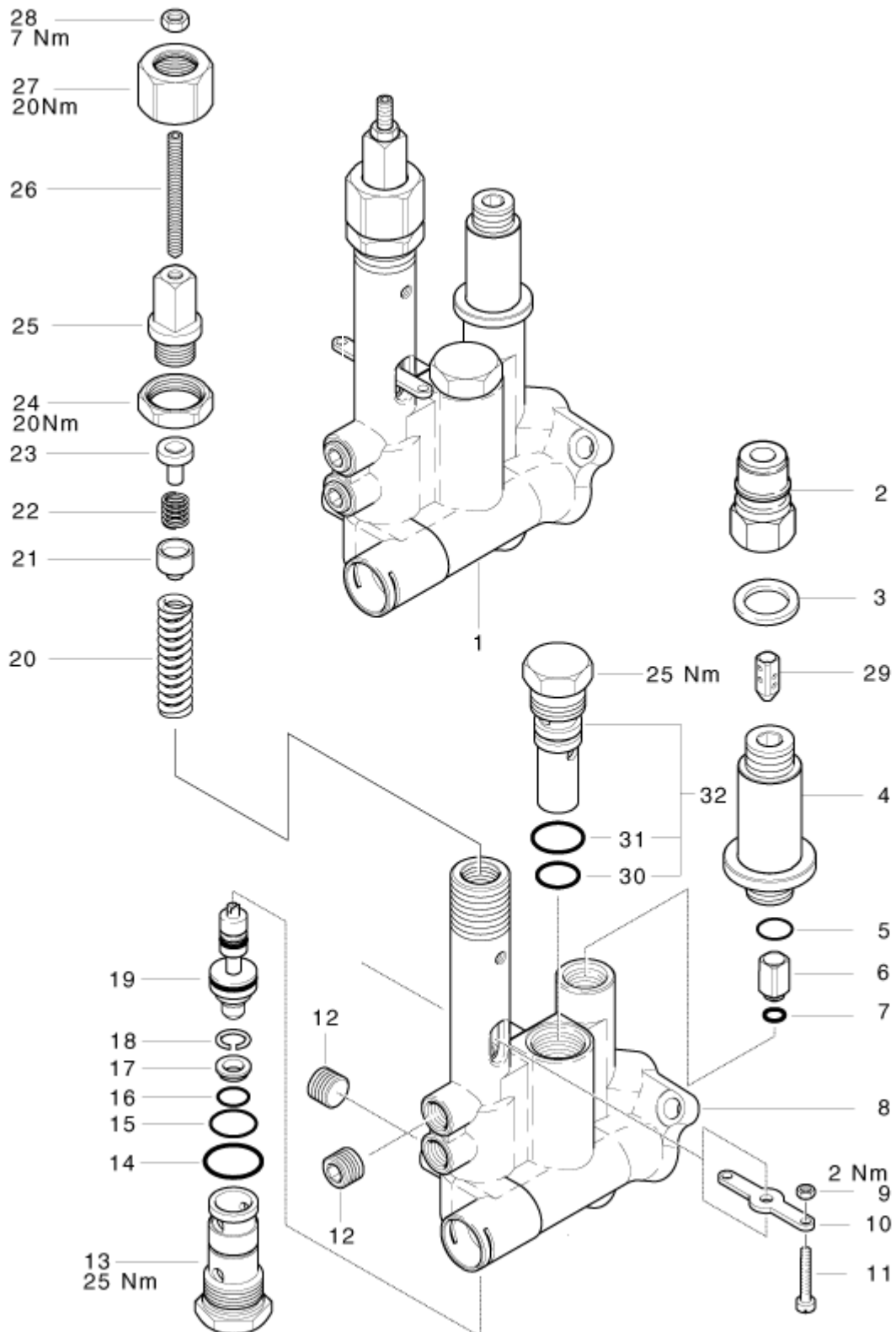
# By-Pass-Ventil

COMPACT BOOSTER

25-01-2013

ET-Liste-Nr.  
COMPACTB10

13



# By-Pass-Ventil

## COMPACT BOOSTER

25-01-2013

ET-Liste-Nr.  
COMPACT BOOSTER

14

| Pos | Artikelnr. | Me | Beschreibung                                   |                       |
|-----|------------|----|--|-----------------------|
| 1   | 106183194  | 1  | Umlaufventil kpl. 3~ "C OMPACT BOOSTER"        | 3~                    |
| 1   | 106183195  | 1  | nicht mehr lieferbar Umlaufventil kpl. 1~ "C   | 1~                    |
| 2   | 1603101    | 1  | Nippel Schnellkupplung "03KR" RF               |                       |
| 3   | 1801075    | 1  | Dichtring Ø23,8xØ17,2x2                        |                       |
| 4   | 7350192    | 1  | nicht mehr lieferbar Hülse f. Rückschlagventil |                       |
| 5   | 16998      | 1  | O-Ring Ø14x1,5                                 |                       |
| 6   | 6187135    | 1  | Kolben Ø14,6                                   |                       |
| 7   | 9858       | 1  | CW O-Ring 6,0 x 3,0 S MS 1586                  |                       |
| 8   | 6187108    | 1  | nicht mehr lieferbar nicht mehr lieferbar      |                       |
| 9   |            | 1  | NOTE COMMENT                                   | Nut M4                |
| 10  | 62717      | 1  | Schaltfahne                                    |                       |
| 11  |            | 1  | NOTE COMMENT                                   | Screw M4x25 DIN 84 ZN |
| 12  | 6262       | 1  | Verschlussschraube R1/4"                       |                       |
| 13  | 62709      | 1  | Hohlschraube M24x1,5                           |                       |
| 14  | 32091      | 1  | O-Ring Ø21x2                                   |                       |
| 15  | 9523       | 1  | O-Ring Ø17x1,5                                 |                       |
| 16  | 49461      | 1  | O-Ring Ø11x1,5                                 |                       |
| 17  | 62708      | 1  | Ventilsitz Ø8,5/Ø11,4/Ø1 3,9x4                 |                       |
| 18  | 909100001  | 1  | Sprengtring Ø14                                |                       |
| 19  | 106187139  | 1  | Steuerkolben vorm. RS-Block DX/Triton          |                       |
| 20  | 40972      | 1  | Druckfeder 3,5x10,5x54                         |                       |
| 21  | 62694      | 1  | Federauflage                                   |                       |
| 22  | 62713      | 1  | Druckfeder                                     |                       |
| 23  | 62695      | 1  | Federauflage                                   |                       |
| 24  | 62696      | 1  | Sechskantmutter M24x1,5x 6                     |                       |
| 25  | 62712      | 1  | Hohlschraube M16x1x9                           |                       |
| 26  | 62711      | 1  | Gewindestift M6x60                             |                       |
| 27  | 62710      | 1  | Überwurfmutter M24x1,5x2 1                     |                       |
| 28  | 1800705    | 1  | Mutter M6 -8 I SO 4032 St-zn                   |                       |
| 29  | 6101083    | 1  | Kolben, C3KA                                   |                       |
| 30  | 62706      | 1  | O-Ring Ø13x2                                   |                       |
| 31  | 16443      | 1  | O-Ring Ø17x2                                   |                       |
| 32  | 62729      | 1  | Sicherheitsventil 250bar                       | 250 BAR, 3~           |
| 32  | 62730      | 1  | Sicherheitsventil 200 bar                      | 200 BAR, 1~           |